



Electronic Service Manuals

This electronic document is provided as a service to our customers. We do not create the contents of the information contained in this document. Should you have detailed questions pertaining to the information contained in this document, you may contact Michco, or the manufacturer which provided the original information in this electronic deliverable. Michco's only part in this electronic deliverable was the electronic assembly process.

You may contact Michco through the following methods:
Phone (517) 484-9312 or (800) 331-3339 MI, OH, IN only
2011 N. High St. -- Lansing, Michigan -- 48906
Fax: (517) 484-9836
Email: CustServ@Michco.com
Web site: www.Michco.Com
Parts Web site: www.FloorMachineParts.Com

Order Parts on Line at:
www.FloorMachineParts.Com

Directly to Parts & Service:
By Email: **Shop@Michco.com**
By Fax: (517) 702-2041
By Voice: Use numbers above.

Serving the Cleaning Industry Since 1922

Notice: All copyrighted material remains property of original owners, all trademarks are property of respective owners. Manuals are subject to Manufacturer's reproduction limitations. Originals or reproductions were provided by manufacturers through a request. We make no warranty as to the correctness of information provided in this document and you assume all risk.

CARPETRIEVER 28

MODEL C280

C280-J

THIS PARTS LIST IS FOR MACHINES
AFTER SERIAL NUMBER 291569.

PARTS LIST



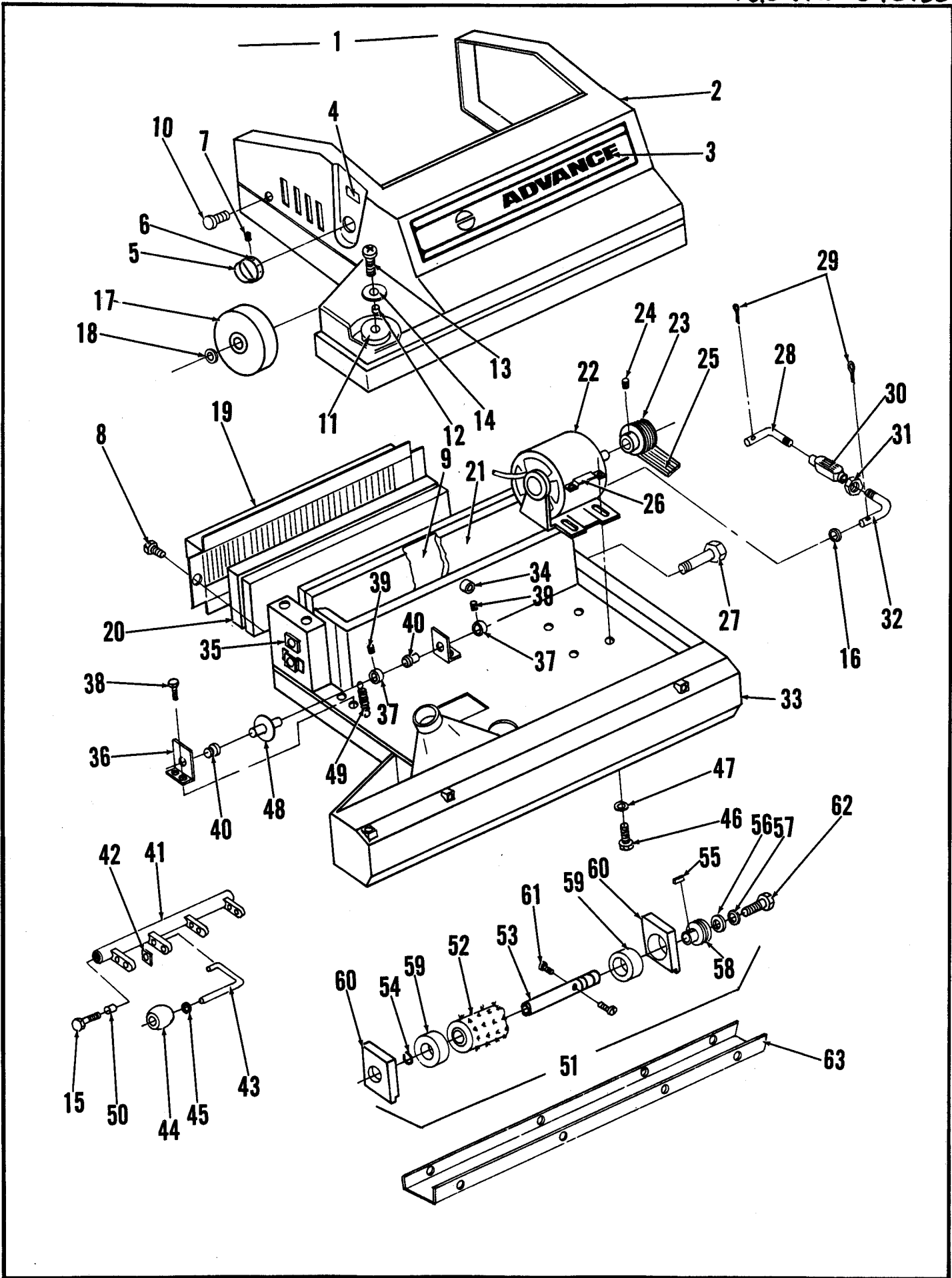
ADVANCE[®]
MACHINE COMPANY

INTERNATIONAL HEADQUARTERS, Plymouth, MN 55447-3408
EUROPE, Llantrisant, Pontyclun, Mid-Glamorgan CF7 8YZ Wales, United Kingdom
CANADA, 1295 Crestlawn Drive, Mississauga, Ontario L4W 1A9



INDEX FOR FORM NUMBER 042185

<u>Description</u>	<u>Location</u>	<u>Page</u>
Base	D8	1
Handle	D10	3
Motor, Vacuum	D12	5
Wiring Diagram	D13	6



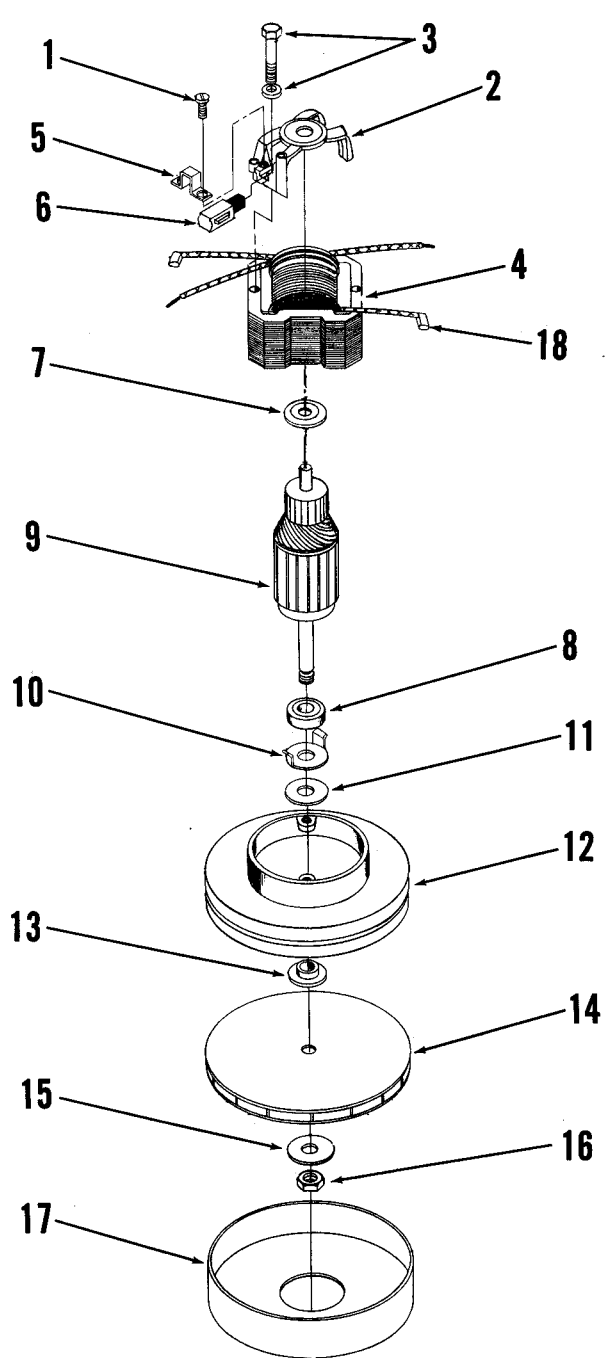
BASE ASSEMBLY

I	PART #	QTY	DESCRIPTION	I	PART #	QTY	DESCRIPTION
1	330333	1	SHROUD ASSY,BASE	59	372773	2	BEARING
2	330334	1	SHROUD, BASE	60	322420	2	BLOCK, BEARING
3	014285	1	DECAL, ADVANCE	61		2	SCREW, SOCKET SET #10-24 X 1/2
4	023290	1	DECAL, BRUSH ADJUST	62		1	SCREW, HEX HD. 5/16-18 X 5/8
5	324502	1	KNOB, BRUSH ADJUST	63	330677	1	SHOE WELDMENT
6	023288	1	DECAL, KNOB				
7		1	SCREW, SOCKET SET #8-32 X 5/16				
8		13	SCREW, PAN HD. #10-24 X 3/8				
9	330623	1	PLATE				
10		4	SCREW, FLAT HD. #10-24 X 3/8				
11	330683	1	WHEEL, 2-1/2"				
12	330741	1	BUSHING				
13		1	SCREW, HEX HD. 1/4-20 X 1-1/4				
14	330743	1	CAP				
15		2	SCREW, HEX HD. 1/4-20 X 3/4				
16		1	WASHER				
17	330607	2	WHEEL				
18	155411	2	WASHER, SPRING .515				
19	330571	1	GRILL				
20	330573	1	FILTER				
21	330577	1	FOAM, SOUND REDUCING				
22	238147	1	MOTOR, 115V/60HZ.				
23	330681	1	SHEAVE				
24		1	SCREW, SOCKET SET 1/4-20 X 5/16				
25	331100	1	BELT, POLY-V				
26	218065	1	NUTPLATE				
27	520845	2	AXLE				
28	330686	1	ROD LINKAGE				
29		2	PIN, COTTER 1/16 X 3/4				
30	206814	1	TURNBUCKLE				
31		1	NUT, HEX				
32	350109	1	ROD LINKAGE				
33	330632	1	BASE WELDMENT				
34	327409	1	BUSHING, NYLON				
35	328855	2	SPEEDNUTS				
36	331078	2	ANGLE				
37	331076	2	BUSHING				
38		4	SCREW, PAN HD. 3/8-16 X 5/8				
39		2	SCREW, SOCKET SET #10-24 X 3/16				
40	329098	2	BUSHING, NYLON				
41	330613	1	BRACKET				
42	325227	2	NUT, STUD				
43	325224	2	PIN, ROLLER				
44	325244	4	ROLLER				
45	150150	2	WASHER, BOWED				
46		4	SCREW, HEX HD. 5/16-18 X 1/2				
47		4	LOCKWASHER, SPRING 5/16				
48	330717	1	CAM				
49	330642	2	SPRING				
50	321532	2	BUSHING				
51	330666	1	BRUSH ASSY, C/O				
52	330669	1	BRUSH				
53	330671	1	SHAFT ASSY				
54	320153	1	LOADING SPRING				
55	109258	1	KEY				
56		1	WASHER, 5/16				
57		1	LOCKWASHER, 5/16				
58	330675	1	PULLEY				

HANDLE ASSY

I	PART #	QTY	DESCRIPTION	I	PART #	QTY	DESCRIPTION
1	330337	1	SHROUD ASSY, HANDLE	54		2	SCREW
2	330338	1	SHROUD, HANDLE	55		2	WASHER, SHPRF #4
3	014287	1	DECAL, ADVANCE LOGO	56		2	NUT, HEX #4-40
4	333339	1	LATCH, STRIKE	57	234079	1	SCREW AND LOCKWASHER 5/16
5	014290	1	DECAL, STRIPE LT	58		1	SCREW
	014291	1	DECAL, STRIPE RT	59	331112	1	CORD ASSY
6	330340	1	NUTPLATE	60	330625	1	CLAMP TUBE
7	330350	1	HANDLE ASSY	61	330346	1	TUBE, INLET
8	330341	1	HANDLE WELDMENT	62	330589	1	BAG, COLLECTOR - CLOTH
9	514085	2	GRIPS, HANDLE		330690	6PK	BAG, COLLECTOR - PAPER
10	162736	1	STRAIN RELIEF	63	330608	1	CLAMP, BAG
11		1	WASHER	64	325240	1	CABLE ASSY
12		1	NUT	65		8	SCREW
13	322504	1	SPEEDNUT	66	330347	1	HINGE
14	300187	1	CLIP, BELT	67	385448	1	GASKET
15	342319	1	CLAMP, CORD				
16		5	SCREW, PAN HD. #8-32 X 3/8				
17	331430	1	CORD SET 100V				
	330871	1	CORD SET 115V				
18	014286	1	DECAL, HANDLE				
19	330579	1	HOOK				
20		7	NUT HEX #10-24				
21	200754	1	GASKET				
22	330368	1	HOOK, CORD				
23	331082	1	PLATE				
24	331106	1	CORD, DRIVE MOTOR				
25	330745	1	GASKET				
26	327409	6	BUSHING, NYLON				
27	162981	1	STRAIN RELIEF				
28	321737	4	WIRE NUT				
29	209325	2	GASKET, VAC MOTOR				
30	325096	2	VAC MOTOR				
	203518		BRUSH MECHANISM				
31	384898	2	FILTER, VAC MOTOR				
32	325219	2	CABLE TIE				
33	330351	1	TRAY WELDMENT				
34	330631	1	GASKET				
35	330634	1	NUT PLATE				
36		13	WASHER SHPRF #10				
37		1	SCREW				
38		5	NUT, ACORN				
39		19	SCREW				
40	014362	1	DECAL, RESET				
41	015314	1	DECAL, WARNING				
42	330343	1	LATCH				
43	023338	1	DECAL, WIRING 100V				
	023286	1	DECAL, WIRING 115V				
44	330783	1	COVER				
45	330898	1	TUBE, HANDLE				
46	329185	1	CIRCUIT BREAKER 100V				
	329177	1	CIRCUIT BREAKER 115V				
47	200340	1	SWITCH, TOGGLE				
48	330900	1	PLATE, SWITCH				
49	388019	1	SWITCH, SNAP				
50		3	SCREW				
51		2	WASHER, SHPRF #8				
52		4	NUT, HEX #8-32				
53	328790	1	SPRING				

VACUUM MOTOR

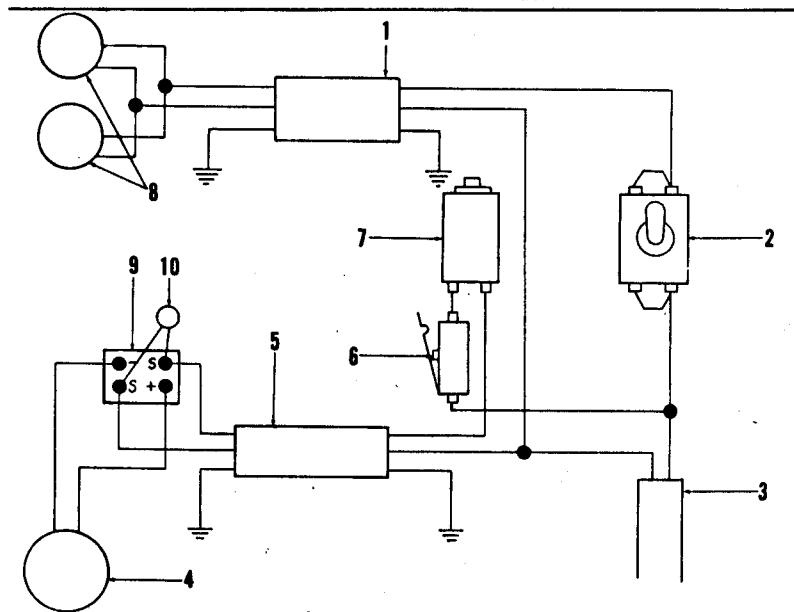


ITEM	PART NO	QTY	DESCRIPTION
1	203 263	4	SCREW
2	300 406	1	BRACKET, COMMUTATOR END
3	325 090	2	SCREW & WASHER
4	228 377	1	FIELD 115V
	228 389	1	FIELD 230V
5	207 285	2	CLAMP
6	203 518	2	BRUSH MECHANISM
7	228 388	1	WASHER, FIBER
8	228 051	1	BEARING, BALL
9	325 084	1	ARMATURE 115V
	325 085	1	ARMATURE, 230V
10	203 471	1	WASHER, CLAMPING
11	202 630	1	WASHER, FELT
12	325 094	1	BRACKET & SHELL 115V
	325 095	1	BRACKET & SHELL 230V
13	203 424	1	SPACER
14	208 191	1	FAN, ROTATING
15	203 432	1	WASHER
16	203 440	1	NUT
17	325 088	1	FAN SHELL 115V
	325 089	1	FAN SHELL 230V
18	203 584	2	CLIP, FIELD

WIRING DIAGRAM

I	PART #	QTY	DESCRIPTION
1	331112	1	CORD ASSY
2	200340	1	SWITCH, TOGGLE
3	331430	1	CORD SET 100V
	330871	1	CORD SET 115V
4	228428	1	DRIVE MOTOR 100V
	238147	1	DRIVE MOTOR 115V
5	331106	1	CORD ASSY
6	388019	1	SWITCH, SNAP
7	329185	1	CIRCUIT BREAKER 100V
	329177	1	CIRCUIT BREAKER 115V
8	325096	2	VAC MOTOR
9	180162	1	RECTIFIER
10	387554	1	VARISTOR

100 VOLT WIRING DIAGRAM



115 VOLT WIRING DIAGRAM

