



Electronic Service Manuals

This electronic document is provided as a service to our customers. We do not create the contents of the information contained in this document. Should you have detailed questions pertaining to the information contained in this document, you may contact Michco, or the manufacturer which provided the original information in this electronic deliverable. Michco's only part in this electronic deliverable was the electronic assembly process.

You may contact Michco through the following methods:
Phone (517) 484-9312 or (800) 331-3339 MI, OH, IN only
2011 N. High St. -- Lansing, Michigan -- 48906
Fax: (517) 484-9836
Email: CustServ@Michco.com
Web site: www.Michco.Com
Parts Web site: www.FloorMachineParts.Com

Order Parts on Line at:
www.FloorMachineParts.Com

Directly to Parts & Service:
By Email: **Shop@Michco.com**
By Fax: (517) 702-2041
By Voice: Use numbers above.

Serving the Cleaning Industry Since 1922

Notice: All copyrighted material remains property of original owners, all trademarks are property of respective owners. Manuals are subject to Manufacturer's reproduction limitations. Originals or reproductions were provided by manufacturers through a request. We make no warranty as to the correctness of information provided in this document and you assume all risk.

CARPETRIEVER 28

MODEL 280A
280A-5

FORM NO. 042 005A

REV. JUNE 1983

FOR MACHINES AFTER
SERIAL #951 493

PARTS LIST



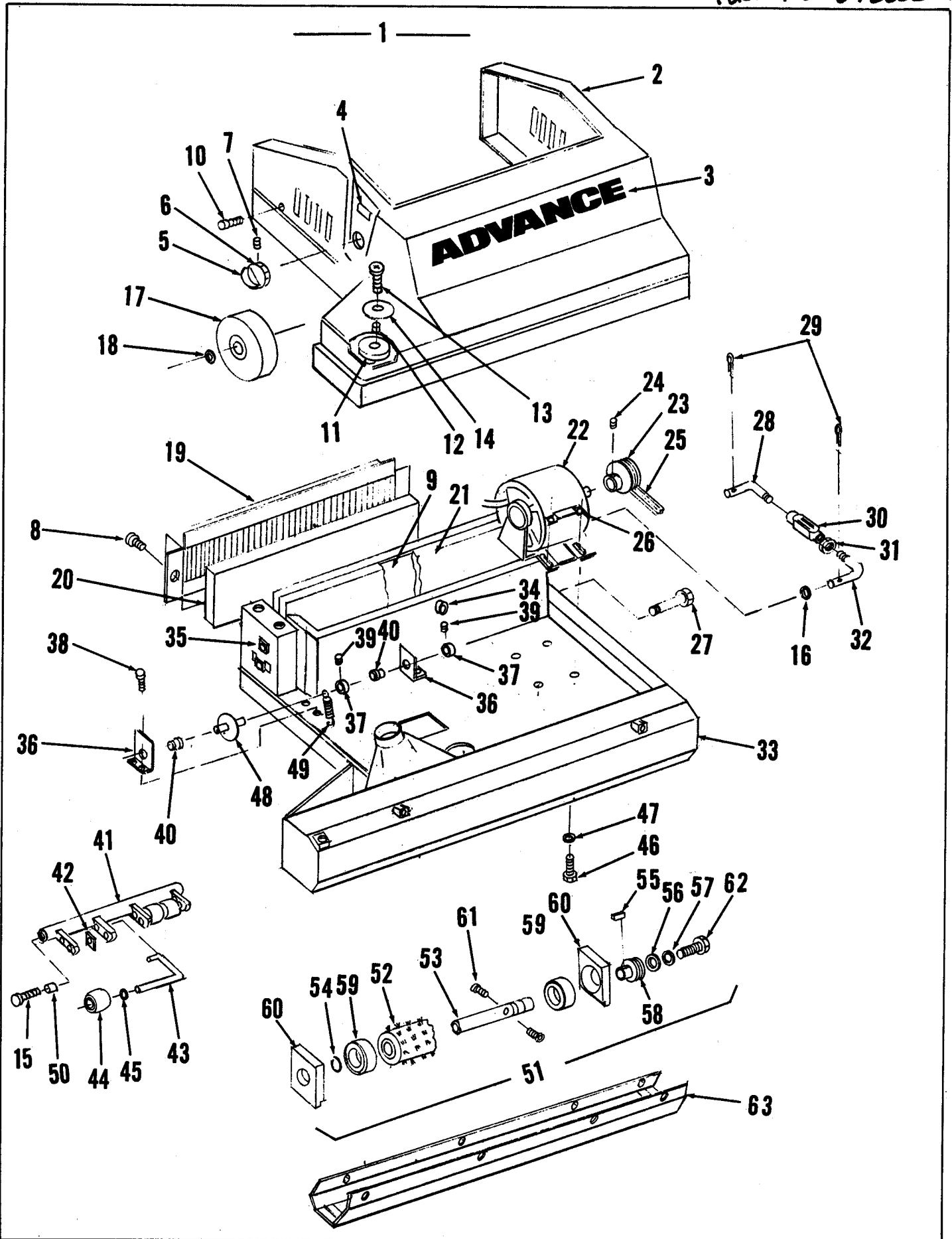
ADVANCE
MACHINE COMPANY

INTERNATIONAL HEADQUARTERS, Spring Park, Minnesota 55384 USA
EUROPE, 4 Rue Jean Engling, L - 1466 Luxembourg
CANADA, 1295 Crestlawn Drive, Mississauga, Ontario L4W 1A9



INDEX FOR FORM NUMBER 042005A

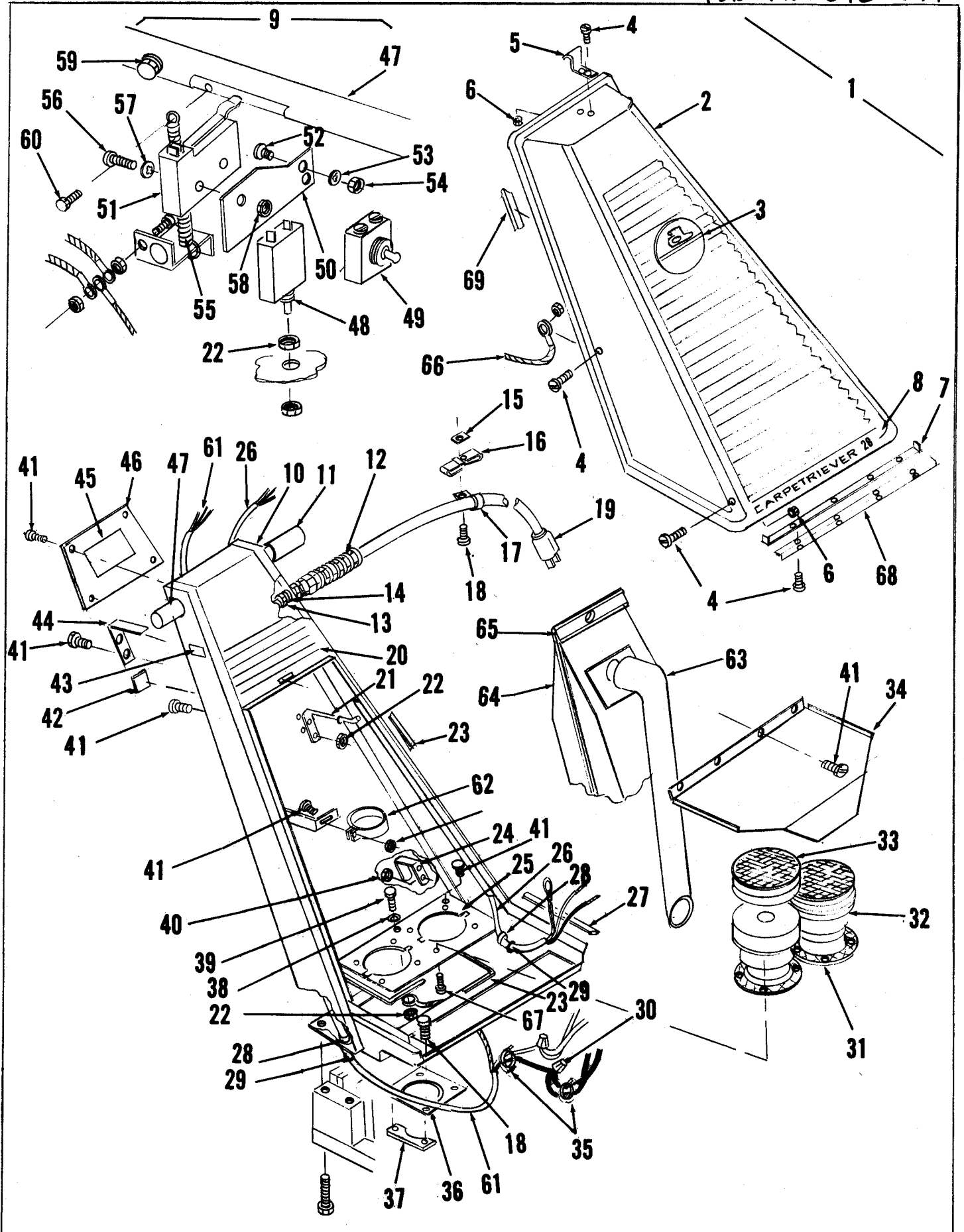
<u>Description</u>	<u>Location</u>	<u>Page</u>
Base	E2	1
Handle	E4	3
Motor, Vacuum	E6	5
Wiring Diagram	E7	6



BASE ASSEMBLY

Form No. 042005A

ITEM	PART NO	QTY	DESCRIPTION
1	330 659	1	SHROUD ASS'Y., Base
2	330 663	1	SHROUD, Base
3	023 258	1	DECAL, Advance
4	023 290	1	DECAL, Brush Adjust
5	324 502	1	KNOB, Brush Adjust
6	023 288	1	DECAL, Knob
7		1	SCREW, Socket Set #8-32 x 5/16
8		13	SCREW, Pan Hd. #10-24 x 3/8
9	330 623	1	PLATE
10		4	SCREW, Flat Hd. #10-24 x 3/8
11	330 683	1	WHEEL, 2-1/2"
12	330 741	1	BUSHING
13		1	SCREW, Hex Hd. 1/4-20 x 1-1/4
14	330 743	1	CAP
15		2	SCREW, Hex Hd. 1/4-20 x 3/4
16		1	WASHER, Flat 1/4
17	330 607	2	WHEEL
18	155 411	2	WASHER, Spring .515
19	330 571	1	GRILL
20	330 573	1	FILTER
21	330 577	1	FOAM, Sound Reducing
22	238 147	1	MOTOR, 115V/60Hz.
	238 155	1	MOTOR, 230V/50Hz.
23	330 681	1	SHEAVE
24		1	SCREW, Socket Set 1/4-20 x 5/16
25	331 100	1	BELT, Poly-V
26	218 065	1	NUTPLATE
27	520 845	2	AXLE
28	330 686	1	ROD LINKAGE
29		2	PIN, Cotter 1/16 x 3/4
30	206 814	1	TURNBUCKLE
31		1	NUT, Hex
32	350 109	1	ROD LINKAGE
33	330 632	1	BASE WELDMENT
34	327 409	1	BUSHING, Nylon
35	328 855	2	SPEEDNUTS
36	331 078	2	ANGLE
37	331 076	2	BUSHING
38		4	SCREW, Pan Hd. 3/8-16 x 5/8
39		2	SCREW, Socket Set #10-24 x 3/16
40	329 098	2	BUSHING, Nylon
41	330 613	1	BRACKET
42	325 227	2	NUT, Stud
43	325 224	2	PIN, Roller
44	325 244	4	ROLLER
45	150 150	2	WASHER, Bowed
46		4	SCREW, Hex Hd. 5/16-18 x 1/2
47		4	LOCKWASHER, Spring 5/16
48	330 717	1	CAM
49	330 642	2	SPRING
50	321 532	2	BUSHING
51	330 666	1	BRUSH ASS'Y., C/O
52	330 669	1	BRUSH
53	330 671	1	SHAFT ASS'Y.
54	320 153	1	LOADING SPRING
55	109 258	1	KEY
56		1	WASHER, 5/16
57		1	LOCKWASHER, 5/16
58	330 675	1	PULLEY
59	372 773	2	BEARING
60	322 420	2	BLOCK, Bearing
61		2	SCREW, Socket Set #10-24 x 1/2
62		1	SCREW, Hex Hd. 5/16-18 x 5/8
63	330 677	1	SHOE WELDMENT

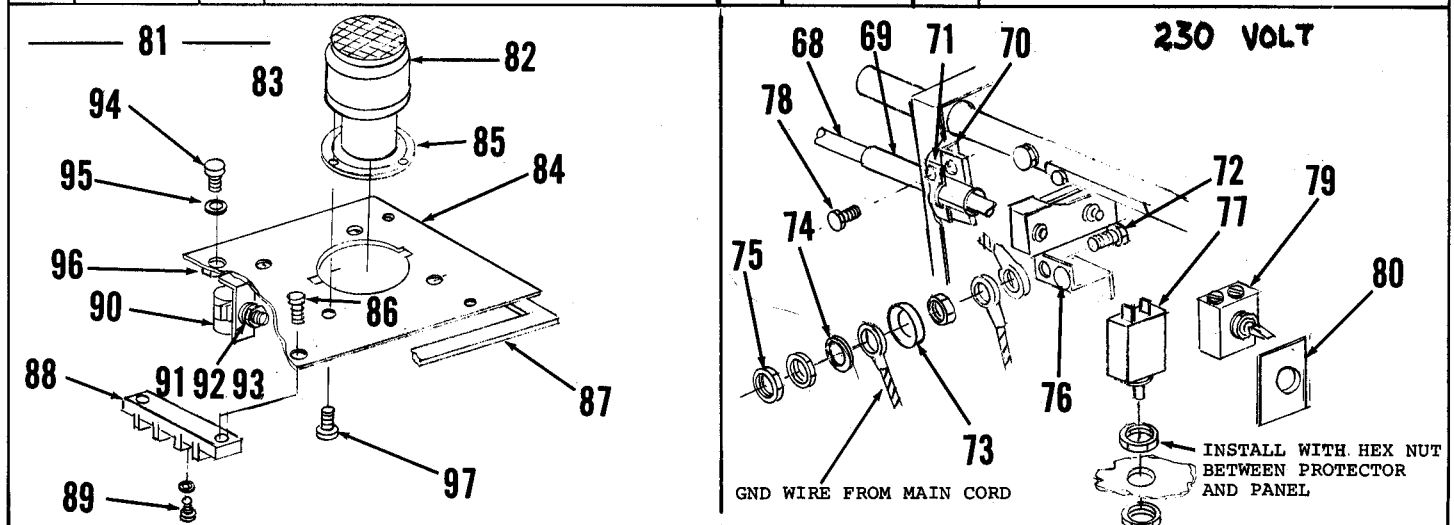


HANDLE ASSEMBLY

Form No. 042005A

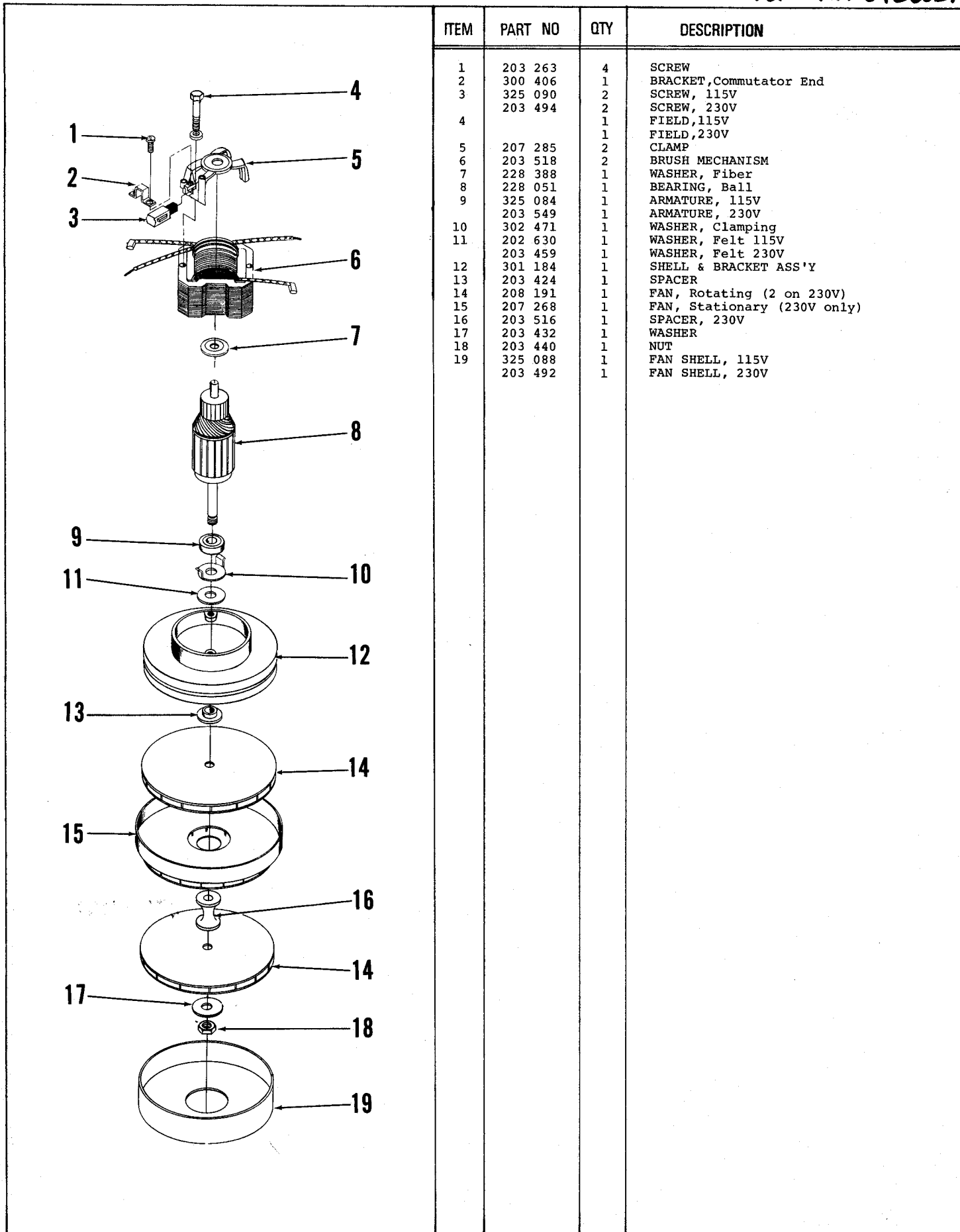
ITEM	PART NO	QTY	DESCRIPTION	ITEM	PART NO	QTY	DESCRIPTION
1	330 735	1	SHROUD ASS'Y., Handle	63	330 667	1	TUBE, Inlet
2	330 737	1	SHROUD, Handle	64	330 589	1	BAG, Collector
3	015 326	1	DECAL, Advance	65	330 608	1	CLAMP, Bag
4		4	SCREW, Pan Hd. #6-32 x 5/16 w/Nut	66	325 240	1	CABLE ASS'Y.
5	330 739	1	LATCH, Strike	67		8	SCREW, Pan Hd ST. #10-24 x 1/2
6		4	NUT, Hex #6-32	68	330 721	1	HINGE
7	330 615	1	NUTPLATE	69	385 448	1	GASKET, 3/8 x 3/8 (6.75 ft.)
8	023 244	1	DECAL, Carpetriever 28				
9	330 729	1	HANDLE ASS'Y.				
10	330 710	1	HANDLE WELDMENT				
11	514 085	2	GRIPS, Handle				
12	162 736	1	STRAIN RELIEVER				
13	200 433	1	WASHER				
14	200 441	1	NUT				
15	322 504	1	SPEEDNUT				
16	300 187	1	CLIP, Belt				
17	342 319	1	CLAMP, Cord				
18		5	SCREW, Pan Hd. #8-32 x 3/8				
19	330 871	1	CORD SET, 115V				
20	023 263	1	DECAL, Handle				
21	330 579	1	HOOK WELDMENT				
22		7	NUT, Hex #10-24				
23	200 754	1	GASKET, 1/16 x 1/2 (8.08ft.)				
24	171 133	1	HOOK, Cord				
25	331 082	1	PLATE, Mounting				
26	331 106	1	CORD, Drive Motor				
27	330 745	1	GASKET, RS 1/8 x 3/8 (1.67ft.)				
28	327 409	6	BUSHING, Nylon	9	330 731	1	HANDLE ASS'Y.
29	162 981	4	STRAIN RELIEF	68	382 331	1	CORD SET
30	321 737	4	WIRENUT	69	300 601	1	TUBE, Rubber 4"
31	209 325	2	GASKET, Vac Motor	70	300 540	1	BRACKET
32	325 096	2	VAC MOTOR, 115V	71	300 542	1	CLAMP, Cord
33	384 898	2	FILTER, Vac Motor	72		1	SCREW, Pan Hd. #8-32 x 3/4
34	325 219	2	CABLE TIE	73	325 274	1	WASHER, Cupped
35	330 622	1	TRAY WELDMENT	74	325 276	1	WASHER, .17 x .38 x .03
36	300 631	1	GASKET	75		5	NUT, Hex #8-32
37	330 634	1	NUTPLATE	76	014 119	1	DECAL, Gnd. Symbol
38		13	WASHER, Shakeproof #10	77	329 185	1	PROTECTOR
39		1	SCREW, Pan Hd. #10-24 x 5/8	78		4	SCREW, Pan Hd. #8-32 x 1/2
40		5	NUT, Acorn #10-24	79	301 636	1	SWITCH
41		19	SCREW, Pan Hd. #10-24 x 3/8 HP-5	80	016 112	1	DECAL, Switch
42	014 362	1	DECAL, Reset	81	331 142	1	VAC MOTOR ASS'Y., c/o
43	015 314	1	DECAL, Warning	82	300 411	2	VAC MOTOR
44	330 581	1	LATCH	83	384 898	2	FILTER, Motor
45	023 286	1	DECAL, Wiring 115V	84	331 144	1	PLATE, Mounting
46	330 783	1	COVER	85	209 325	1	GASKET, Motor
47	330 896	1	TUBE, Handle	86		2	SCREW, Pan Hd. ST #10-24 x 5/8
48	329 177	1	PROTECTOR, 29A 115V	87	200 754	1	GASKET (33ft.)
49	200 340	1	SWITCH, 115V	88	328 062	1	TERMINAL BLOCK
50	330 900	1	PLATE, Switch	89	290 574	4	SCREW & WASHER
51	388 019	1	SWITCH, Snap SPST	90	331 150	1	FILTER, RFI
52		3	SCREW, Pan Hd. #8-32 x 1/2	91		1	SCREW, Pan Hd. #10-24 x 3/8
53		2	WASHER, Shakeproof #8	92		1	NUT, Hex #10-32
54		4	NUT, Hex #8-32	93		9	WASHER, Shakeproof #10
55	328 790	1	SPRING	94		1	SCREW, Pan Hd. #8-32 x 5/8
56		2	SCREW, Rd. Hd. #4-40 x 7/8	95		1	WASHER, Shakeproof #8
57		2	WASHER, Shakeproof #4	96		3	NUT, Hex #8-32
58		2	NUT, Hex #4-40	97		8	SCREW, Pan Hd. ST #10-24 x 1/2
59	234 079	1	SCREW & LOCKWASHER 5/16	26	331 138	1	CORD, Drive Motor
60		1	SCREW, Pan Hd. #8-32 x 7/8 HP-5	45	023 294	1	DECAL, Wiring
61	331 112	1	CORD ASS'Y., Vac Motor	61	331 136	1	CORD, Vac Motors
62	330 625	1	CLAMP, Tube				

230V PART NUMBERS



VAC MOTOR ASSEMBLY

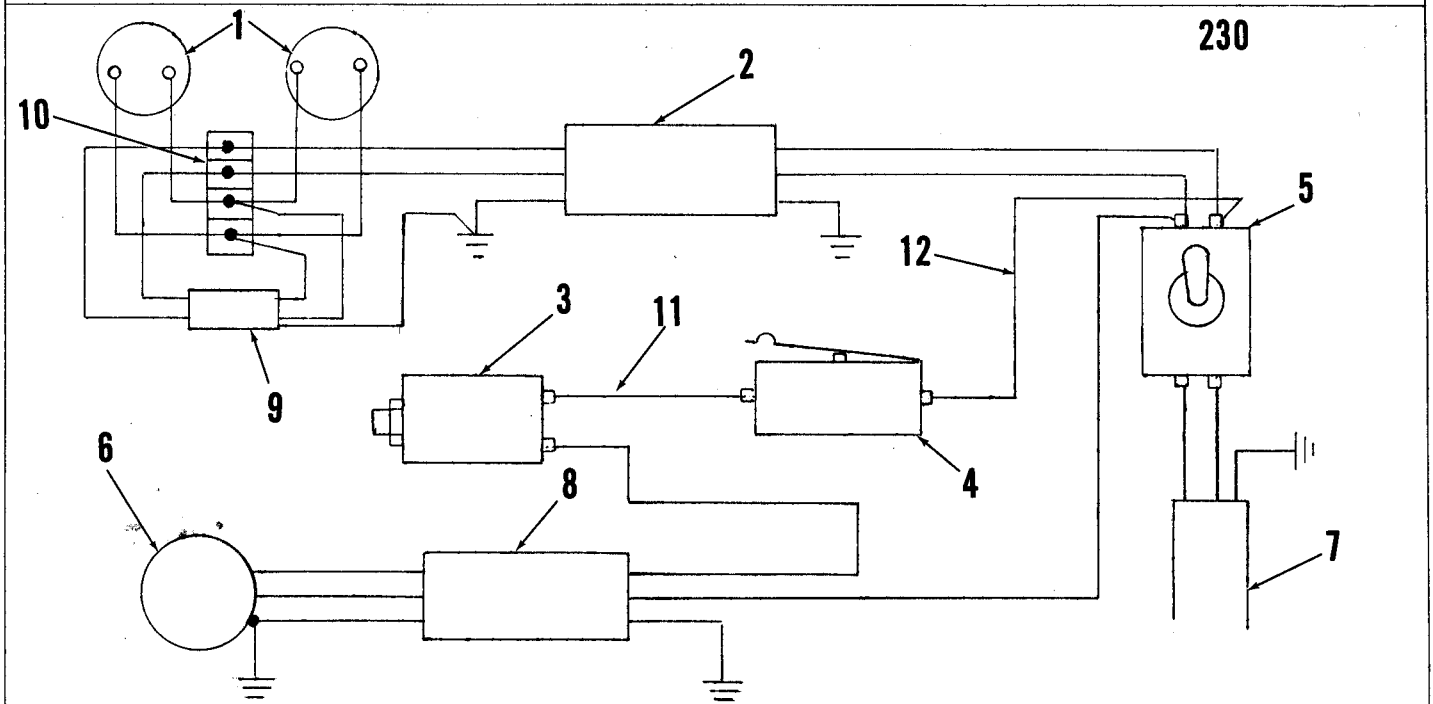
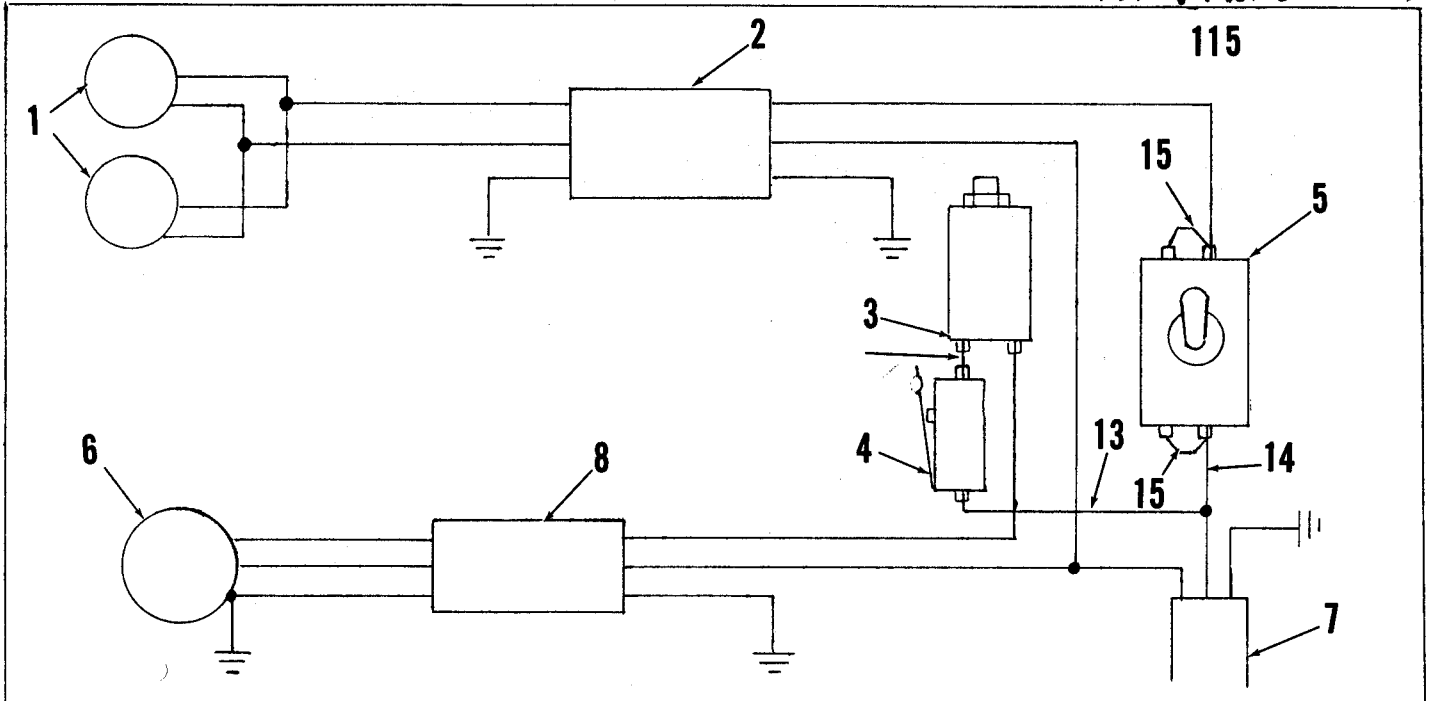
Form No. 042005A



ITEM	PART NO	QTY	DESCRIPTION
1	203 263	4	SCREW
2	300 406	1	BRACKET, Commutator End
3	325 090	2	SCREW, 115V
	203 494	2	SCREW, 230V
4		1	FIELD, 115V
		1	FIELD, 230V
5	207 285	2	CLAMP
6	203 518	2	BRUSH MECHANISM
7	228 388	1	WASHER, Fiber
8	228 051	1	BEARING, Ball
9	325 084	1	ARMATURE, 115V
	203 549	1	ARMATURE, 230V
10	302 471	1	WASHER, Clamping
11	202 630	1	WASHER, Felt 115V
	203 459	1	WASHER, Felt 230V
12	301 184	1	SHELL & BRACKET ASS'Y
13	203 424	1	SPACER
14	208 191	1	FAN, Rotating (2 on 230V)
15	207 268	1	FAN, Stationary (230V only)
16	203 516	1	SPACER, 230V
17	203 432	1	WASHER
18	203 440	1	NUT
19	325 088	1	FAN SHELL, 115V
	203 492	1	FAN SHELL, 230V

WIRING DIAGRAM

Form No. 042005A



ITEM	PART NO	QTY	DESCRIPTION	ITEM	PART NO	QTY	DESCRIPTION
1	325 096	2	MOTOR, Vac 115V	13	470 785	1	WIRE ASS'Y., 115V
	300 411	2	MOTOR, Vac 230V	14	331 108	1	WIRE ASS'Y., 115V
2	331 112	1	CORD ASS'Y., 115V	15	331 110	2	WIRE ASS'Y., 115V
	331 136	1	CORD ASS'Y., 230V				
3	329 177	1	PROTECTOR, 115V				
	329 185	1	PROTECTOR, 230V				
4	171 225	1	SWITCH, Snap				
5	200 340	1	SWITCH, Toggle 115V				
	301 636	1	SWITCH, Toggle 230V				
6	238 147	1	MOTOR, Drive 115V/60Hz.				
	238 155	1	MOTOR, Drive 230V/50Hz.				
7	330 871	1	CORD SET, 115V				
	382 331	1	CORD SET, 230V				
8	331 106	1	CORD ASS'Y., 115V				
	331 138	1	CORD ASS'Y., 230V				
9		1	FILTER, RFI 230V				
10	324 471	1	TERMINAL BLOCK, 230V				
11	330 876	1	WIRE ASS'Y.				
12	331 140	1	WIRE ASS'Y., 230V				