



Electronic Service Manuals

This electronic document is provided as a service to our customers. We do not create the contents of the information contained in this document. Should you have detailed questions pertaining to the information contained in this document, you may contact Michco, or the manufacturer which provided the original information in this electronic deliverable. Michco's only part in this electronic deliverable was the electronic assembly process.

You may contact Michco through the following methods:
Phone (517) 484-9312 or (800) 331-3339 MI, OH, IN only
2011 N. High St. -- Lansing, Michigan -- 48906
Fax: (517) 484-9836
Email: CustServ@Michco.com
Web site: www.Michco.Com
Parts Web site: www.FloorMachineParts.Com

Order Parts on Line at:
www.FloorMachineParts.Com

Directly to Parts & Service:
By Email: **Shop@Michco.com**
By Fax: (517) 702-2041
By Voice: Use numbers above.

Serving the Cleaning Industry Since 1922

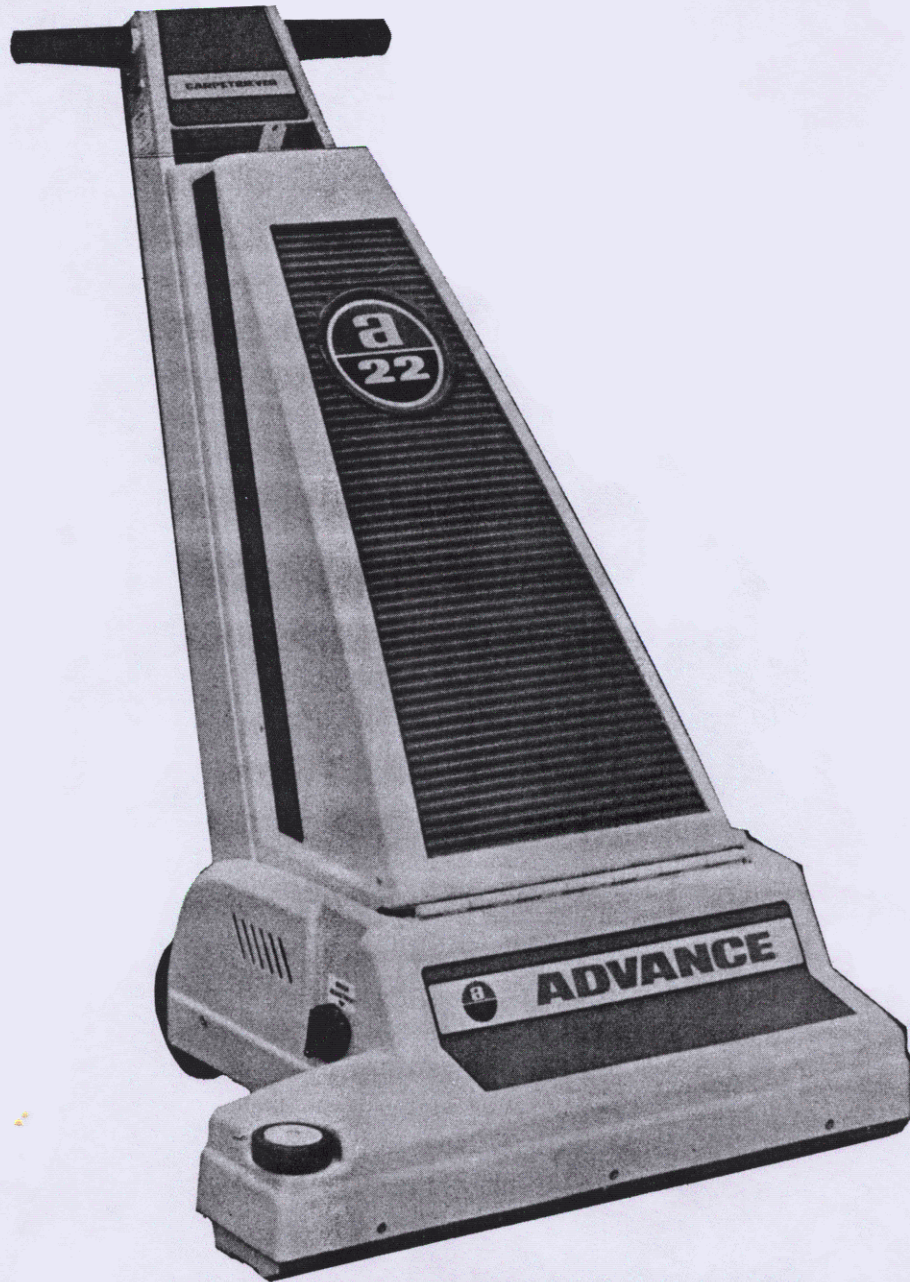
Notice: All copyrighted material remains property of original owners, all trademarks are property of respective owners. Manuals are subject to Manufacturer's reproduction limitations. Originals or reproductions were provided by manufacturers through a request. We make no warranty as to the correctness of information provided in this document and you assume all risk.

CARPETRIEVER 22

MODEL 330310, 330315, 330311

THIS PARTS LIST IS FOR MACHINES
AFTER SERIAL NUMBER 324238.

PARTS LIST



ADVANCE
MACHINE COMPANY

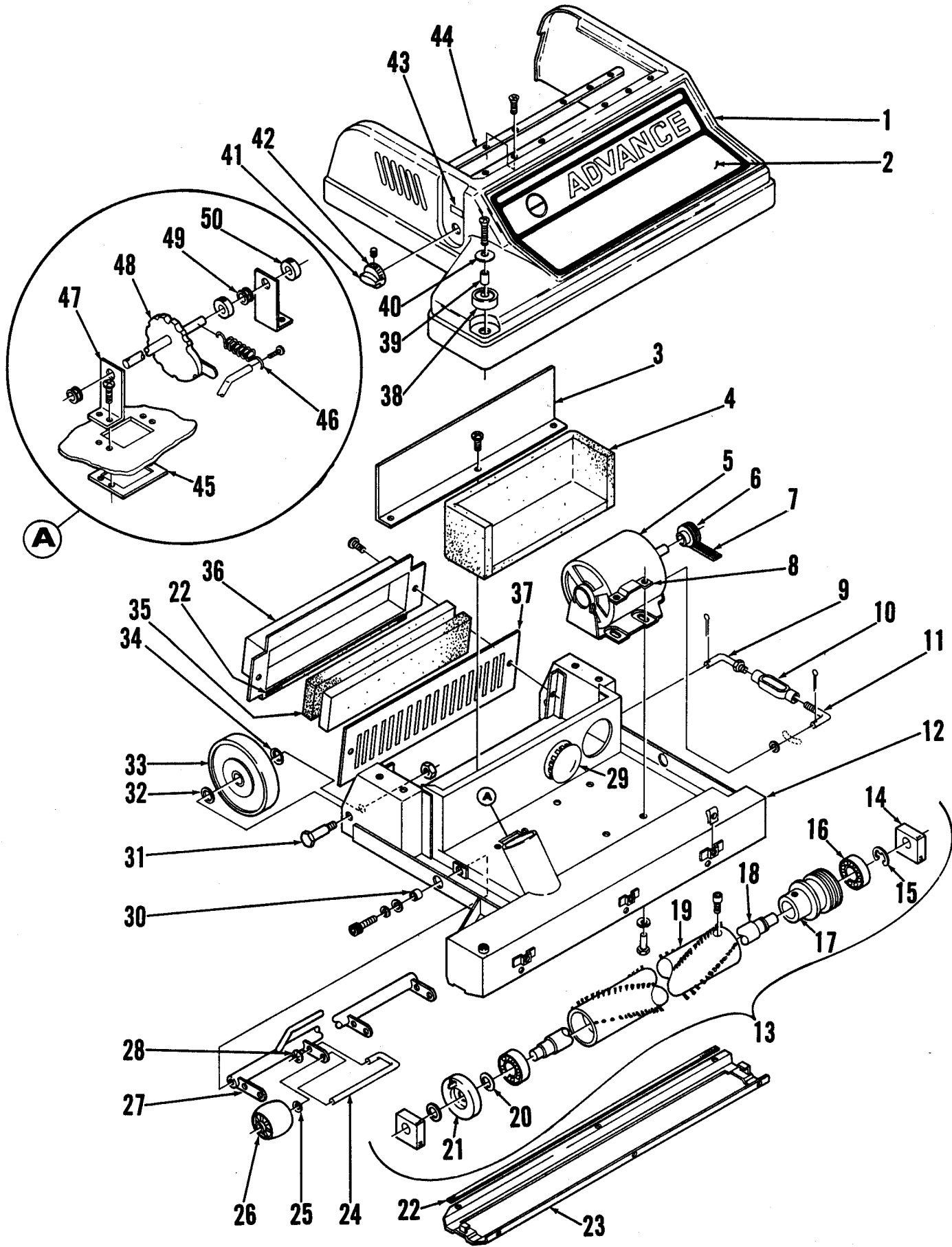
INTERNATIONAL HEADQUARTERS, Plymouth, MN 55447-3408
EUROPE, Llantrisant, Pontyclun, Mid-Glamorgan CF7 8YZ Wales, United Kingdom
CANADA, 1295 Crestlawn Drive, Mississauga, Ontario L4W 1A9

FORM NUMBER 042203 12/89



INDEX FOR FORM NUMBER 042203

<u>Description</u>	<u>Location</u>	<u>Page</u>
Base	B2	1
Handle	B4	3
Motor, Vacuum	B6	5
Wiring Diagram	B7	6



BASE ASSEMBLY

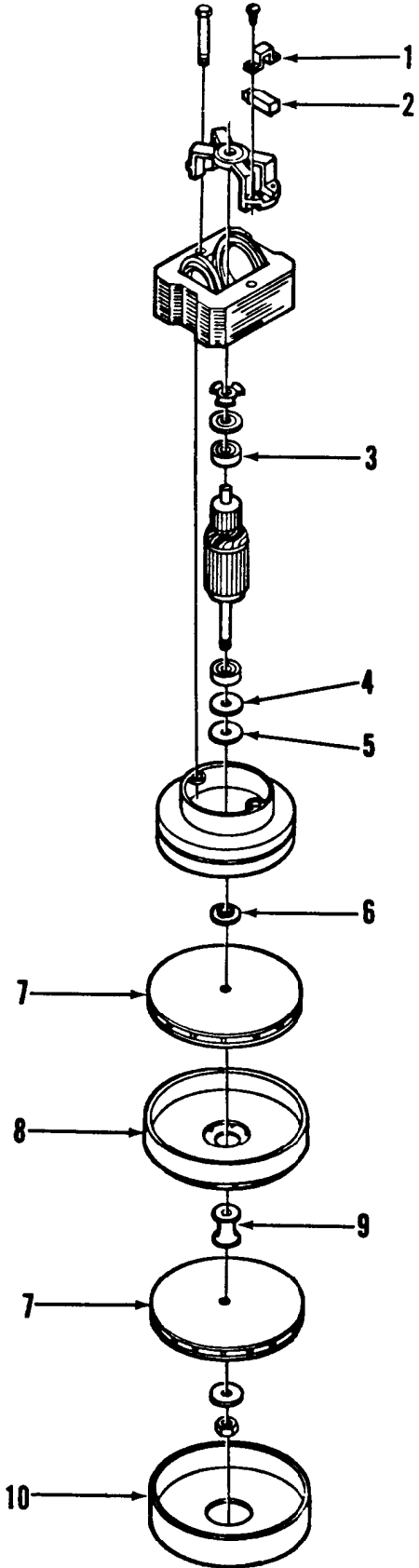
Item	Part No.	Qty	Description
1	330312	1	Shroud
	330308	1	Shroud with Decals
2	014281	1	Decal, CarpeTrierer
3	330313	1	Plate
4	331071	1	Foam
5	228428	1	Motor, 100V
	238147	1	Motor, 115V
	238155	1	Motor, 230V
6	327133	1	Sheave
7	331100	1	Belt
8	218065	2	Nut Plate
9	331093	1	Linkage Rod
10	206814	1	Turnbuckle
11	350109	1	Linkage Rod
12	330306	1	Base
13	331056	1	Brush Assembly
14	330515	2	Block
15	217999	1	Retaining Ring
16	372773	2	Bearing
17	331062	1	Sheave
18	331060	1	Brush Shaft
19	331058	1	Brush
20	155381	1	Washer
21	331064	1	String Guard
22	200754	2	Gasket
23	331010	1	Shoe
24	325224	2	Pin
25	150150	2	Bowed Washer
26	325244	4	Roller
27	330992	1	Bracket
28	325227	2	Stud Nut
29	330056	2	Button Plug (except 100V)
30	321532	2	Bushing
31	331074	2	Axle
32	155411	4	Washer
33	161691	2	Wheel
34	155373	2	Washer
35	331070	2	Filter
36	330302	1	Grille
37	330304	1	Grille
38	330683	1	Wheel
39	330741	1	Bushing
40	330335	1	Cap
41	324502	1	Knob
42	023288	1	Decal, Knob Adjusting
43	023290	1	Decal, Brush Adjusting
44	330321	1	Nut Plate
45	331091	1	Nut Plate
46	330642	1	Spring
47	331078	2	Angle
48	331018	1	Cam
49	329098	2	Bushing
50	331076	2	Collar

HANDLE ASSEMBLY

Item	Part No.	Qty	Description	Item	Part No.	Qty	Description
1	330326	1	Shroud Assembly (#2-5)	37	331126	8'	Gasket
2	330327	1	Strike Latch	38	325240	1	Wire Rope Assembly
3	330331	1	Shroud	39	330329	1	Clamp
4	014284	1	Decal, 22	40	330328	1	Inlet Tube
5	330325	1	Support	41	331094	1	Cloth Bag
6	330323	1	Hinge		331115	1	Paper Bag (pkg of 6)
7	331113	1	Strap	42	320676	1	Bag Clip
8	200754	A/R	Gasket	43	322504	1	Speed Nut
9	330324	1	Angle	44	300187	1	Belt Clip
10	330322	1	Tray	45	342319	1	Clamp 100V, 115V
11	023252	1	Decal, Filter		300152	1	Clamp 230V
12	331142	1	Vacuum Motor Assembly (230V)	46	331430	1	Cord Set 100V
13	384898	2	Filter		330871	1	Cord Set 115V
14	325096	2	Vacuum Motor 100V, 115V		300227	1	Cord Set 230V
	300411	2	Vacuum Motor 230V	47	014282	1	Decal, Left Stripe
15	330348	1	Mounting Plate 100V, 115V		014288	1	Decal, Right Stripe
	330730	1	Mounting Plate 230V	48	385448	7.5'	Gasket
16	330749	1	Gasket 100V, 115V	49	200441	1	Nut
	490112	1	Gasket 230V	50	200433	1	Washer
17	328062	1	Terminal Block 230V only	51	329177	1	Circuit Breaker 100V, 115V
18	209325	2	Gasket		329185	1	Circuit Breaker 230V
19	331150	1	RFI Filter 230V only	52	200340	1	Switch 100V, 115V
20	016908	1	Decal RFI 230V only		301636	1	Switch 230V
21	331055	1	Gasket	53	183538	1	Nut
22	331057	2	Nut Plate	54	331106	1	Cord 100V, 115V
23	331112	1	Cord 100V, 115V		331138	1	Cord 230V
	331136	1	Cord 230V	55	171118	1	Bracket
24	162981	4	Strain Relief	56	327409	6	Nylon Bushing (2 on 230V)
25	570206	4	Grommet 230V only	57	331023	1	Insulator 230V only
26	478684	4	Rubber Mount	58	388019	1	Switch
27	330318	1	Cord Hook	59	900099	2	Insulator Sleeve (230V)
28	331068	1	Bag Hook	60	200190	2	Fiber Washer 230V only
29	014362	1	Decal, Reset	61	183523	1	Terminal Block 230V only
30	330317	1	Latch	62	183533	1	Insulator 230V only
31	015314	1	Decal, Warning	63	514085	2	Grip
32	330316	1	Cover	64	217927	2	Rubber Washer 230V only
33	023338	1	Decal, Wiring 100V	65	234079	1	Screw
	023286	1	Decal, Wiring 115V	66	328790	1	Spring
	023294	1	Decal, Wiring 230V	67	171138	1	Tube
34	014283	1	Decal, CarpeTrier	68	014199	1	Decal, Ground Symbol
35	330320	1	Handle 100V, 115V	69	330352	1	Handle Assembly 100V
	330355	1	Handle 230V		330330	1	Handle Assembly 115V
36	200425	1	Strain Relief 100V, 115V		331332	1	Handle Assembly 230V
	183325	1	Strain Relief 230V				

VACUUM MOTORS

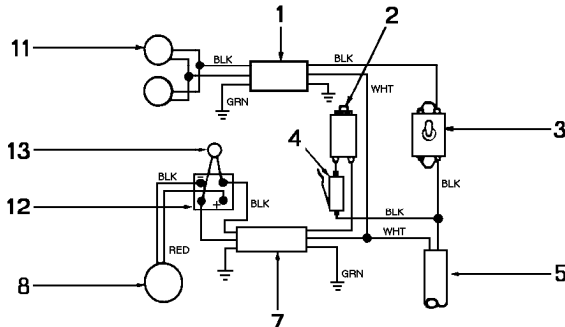
Item	Part No.	Qty	Description
	325096	1	Vacuum Motor 100V, 115V
	300411	1	Vacuum Motor 230V
1	207285	2	Brush Clamp
2	203518	1	Carbon Brush Set
3	228051	2	Bearing
4	203471	1	Washer
5	203459	1	Washer
6	203424	1	Spacer
7	208191	1	Fan (2 on 230V)
8	207268	1	Stationary Fan 230V only
9	203516	1	Spacer 230V only
10	203491	1	Fan Shell



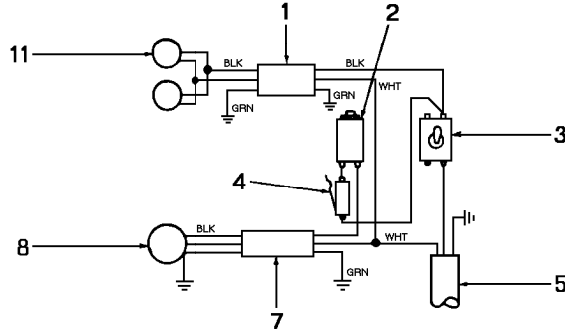
WIRING DIAGRAMS

Item	Part No.	Qty	Description	Item	Part No.	Qty	Description
1	331112	1	Cord Set 100V, 115V	7	331106	1	Cord Set 100V, 115V
	331136	1	Cord Set 230V		331138	1	Cord Set 230V
2	329177	1	Circuit Breaker 100V, 115V	8	228428	1	Drive Motor 100V
	329185	1	Circuit Breaker 230V		238147	1	Drive Motor 115V
3	200340	1	Switch 100V, 115V		238155	1	Drive Motor 230V
	301636	1	Switch 230V	9	331150	1	RFI Filter 230V only
4	388019	1	Switch	10	328062	1	Terminal Block 230V only
5	331230	1	Cord Set 100V	11	325096	2	Vacuum Motor 100V, 115V
	331102	1	Cord Set 115V		300411	2	Vacuum Motor 230V
	300227	1	Cord Set 230V	12	180162	1	Rectifier 100V only
6	183523	1	Terminal Block 230V only	13	387554	1	Varistor 100V only

100V



115V



230V

