



Electronic Service Manuals

This electronic document is provided as a service to our customers. We do not create the contents of the information contained in this document. Should you have detailed questions pertaining to the information contained in this document, you may contact Michco, or the manufacturer which provided the original information in this electronic deliverable. Michco's only part in this electronic deliverable was the electronic assembly process. By providing this manual on line we are not guaranteeing parts availability.

You may contact Michco through the following methods:

Phone (517) 484-9312 or (800) 331-3339

2011 N. High St. -- Lansing, Michigan -- 48906

Fax: (517) 484-9836

Email: CustServe@Michco.com

Web site: www.Michco.Com

Parts Web site: www.FloorMachineParts.Com

Order Parts on Line at:

www.FloorMachineParts.Com

Directly to Parts & Service:

By Email: **Shop@Michco.com**

By Fax: (517) 702-2041

By Voice: Use numbers above.

Serving the Cleaning Industry Since 1922

Notice: All copyrighted material remains property of original owners, all trademarks are property of respective owners. Manuals are subject to Manufacturer's reproduction limitations. Originals or reproductions were provided by manufacturers through a request. We make no warranty as to the correctness of information provided in this document and you assume all risk. By placing these manuals on line we are not declaring our corporation to be an manufacturer authorized dealer or provider, please check our web site for authorized manufacturers we represent.

UZ 934

Model:
UZ 934



Part List US-English

25-05-2009

Table of Contents

UZ 934

Cover and Container	3
Filter, fan and cord	5
Nozzles, hose and tube	7

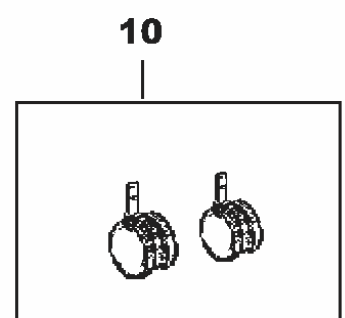
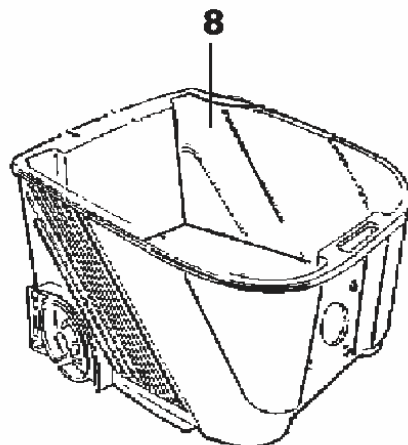
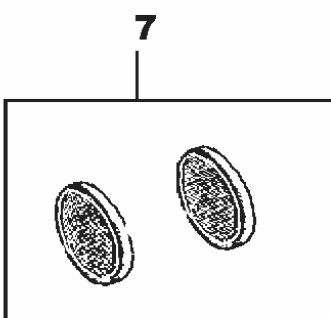
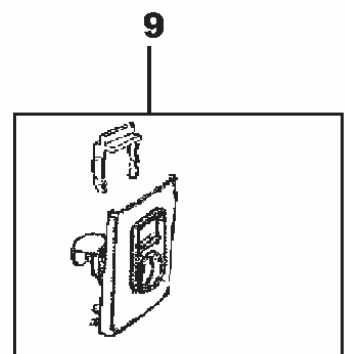
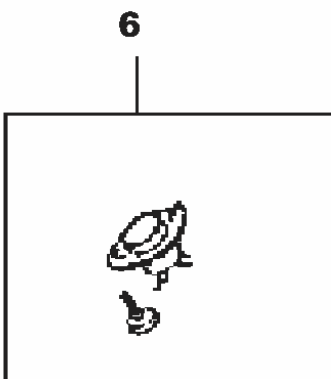
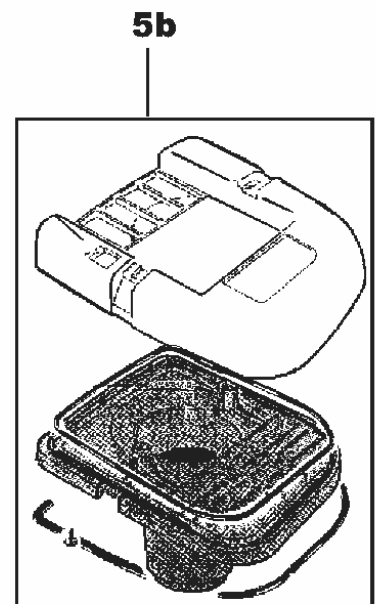
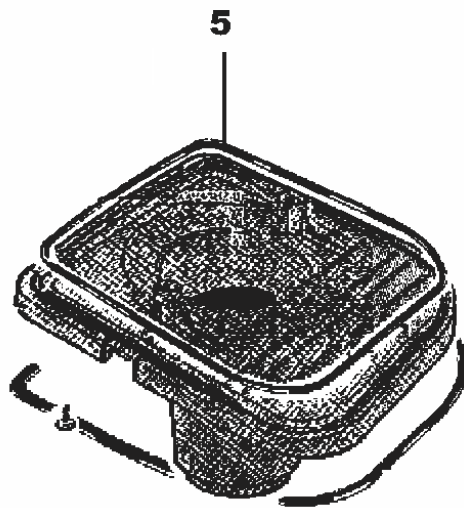
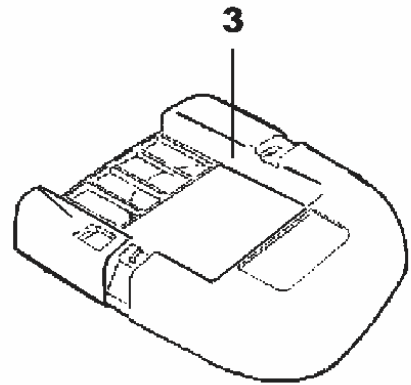
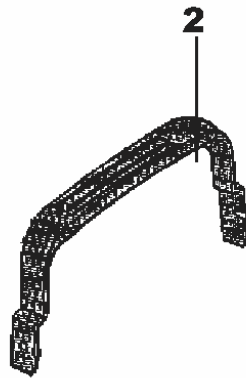
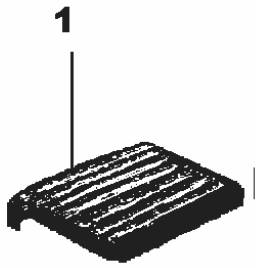
Cover and Container

UZ 934

25-05-2009

Part List ID
B0633_2

3



Cover and Container

UZ 934

25-05-2009

Part List ID
B0633 2

4

Pos	Part no.	Qty	Description	EAN
1	140 6873 500	1	GRATING	7319519631
2	140 6872 500	1	HANDLE BLACK KIT	7319519631
3	140 6871 500	1	COVER UPPER GREY	7319519631
3	140 6871 520	1	COVER UPPER UL BLUE	7319519631
3	140 6871 530	1	COVER UPPER GREEN	7319519642
3	140 6871 590	1	COVER UPPER RED	7319519662
4	140 5496 510	1	SWITCH UL KIT	7319519631
4	140 5496 510	1	SWITCH UL KIT	7319519631
5	140 6870 500	1	COVER LOWER KIT	7319519631
5	140 6870 510	1	COVER LOWER UL KIT	7319519632
5	140 6870 520	1	COVER LOWER UL KIT	7319519658
6	140 3894 500	1	THERMO PROTECTION KIT	7319519631
7	140 8458 500	2	WHEEL REAR KIT	7319519632
8	140 6408 500	1	CONTAINER BLUE	7319519631
8	140 6408 510	1	CONTAINER GREY	7319519631
8	140 6408 520	1	CONTAINER YELLOW UZ934	7319519675
8	140 6408 600	1	CONTAINER ALTOBLUE UZ934	7319519658
8	140 6408 610	1	CONTAINER ORANGE UZ934	7319519662
9	140 7205 500	1	TRIGGER KIT	7319519631
10	140 6422 500	2	WHEELS LINK 50MM	7319519631

NOTE: Part number 140 6871 520 cover upper UL blue, is cancelled.
The cover upper UL blue part, is instead included in item 5b part number 140 6870 520
Cover kit UL Alto blue. This kit is valid for UL-approved machines.

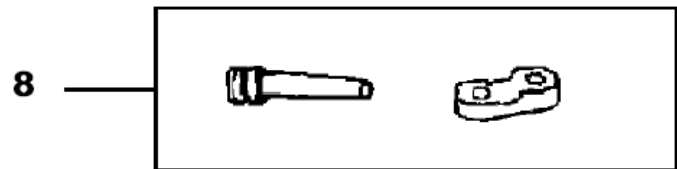
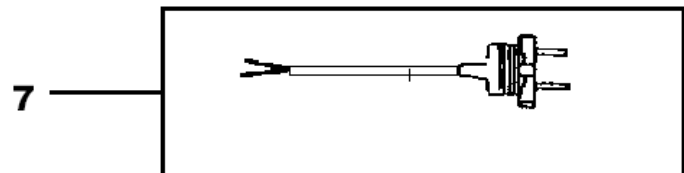
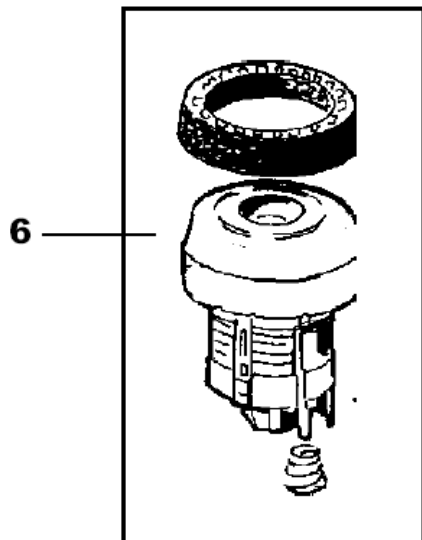
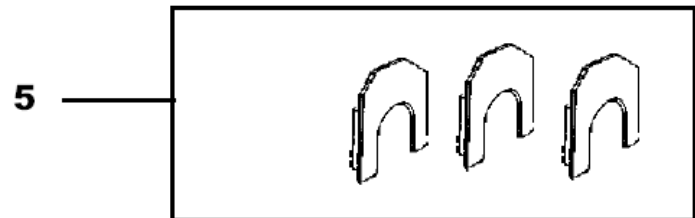
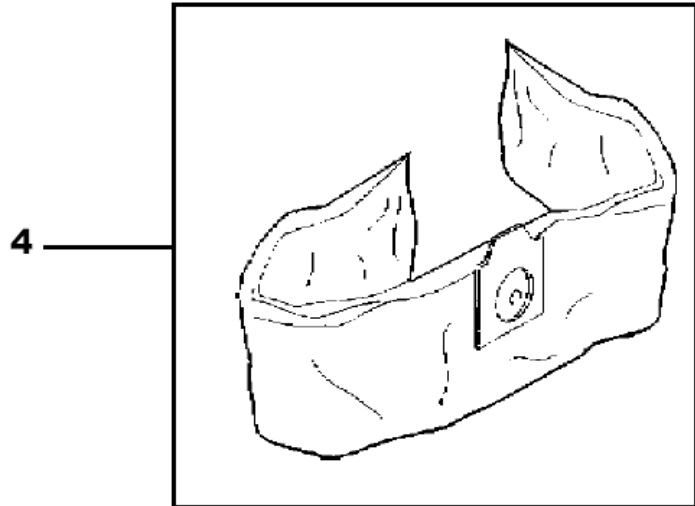
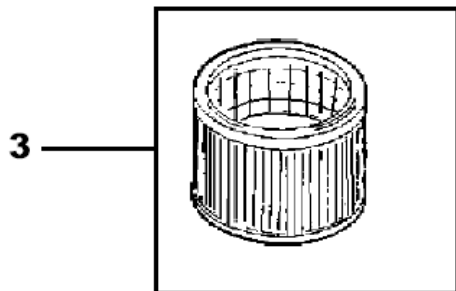
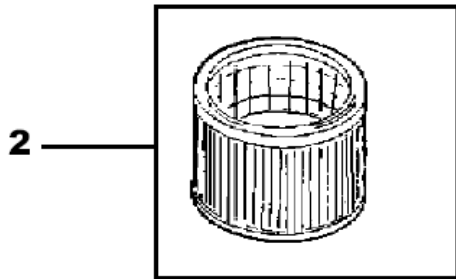
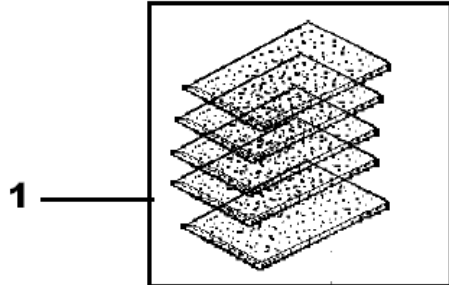
Filter, fan and cord

UZ 934

25-05-2009

Part List ID B0635_2

5



Filter, fan and cord

UZ 934

25-05-2009

Part List ID
B0635 2

6

Pos	Part no.	Qty	Description	EAN
0	140 8163 010	1	NYLON FILTER not shown	7319519410
1	140 6879 500	5	EXHAUST FILTER KIT	7319519631
2	140 6880 500	1	MAIN FILTER KIT UZ934	7319519631
3	140 7542 010	1	HEPA FILTER IN PACKAGE	7319519482
4	140 5612 000	1	CLOTH DUST BAG	7319519388
4	140 6905 020	10	DUST BAG 10-PCS	7319519403
5	140 6744 500	3	LOCK WASHER 3 PIECES	7319519631
6	140 7902 500	1	FAN UNIT KIT DOMEL 230V	7319519605
6	140 7902 510	1	FAN UNIT KIT DOMEL 110-120V	7319519605
6	140 7902 520	1	FAN UNIT KIT DOMEL 240V	7319519605
6	140 7902 530	1	FAN UNIT KIT DOMEL 100V	7319519605
6	140 7902 540	1	FAN UNIT KIT DOMEL 127V FAN UNIT, SUSPENSION RING	7319519605
7	140 6423 500	1	CORD EU L 15M	7319519631
7	140 6423 510	1	CORD EU L 10M	7319519631
7	140 6423 520	1	CORD KIT CH L 15M	7319519631
7	140 6423 530	1	CORD UK L 15M	7319519631
7	140 6423 540	1	CORD UK L 10M	7319519631
7	140 6423 550	1	CORD US PLUG L 15M	7319519631
7	140 6423 560	1	CORD US L 10M GROUNDED	7319519631
7	140 6423 570	1	CORD JP L 15M	7319519631
7	140 6423 580	1	CORD AU L 14M	7319519631
7	140 6423 590	1	CORD EU RED L 12.7M	7319519665
8	140 7035 500	1	PROTECTION SLEEVE KIT	7319519631
8	140 7035 510	1	PROTECTION SLEEVE US KIT	7319519631
9	140 6667 040	1	FILTER L 130	7319519482

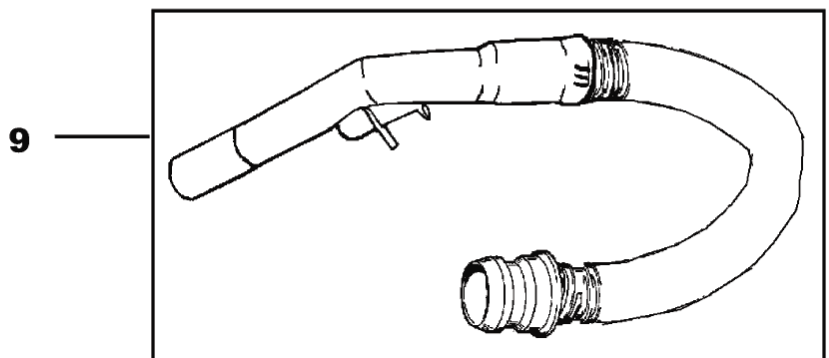
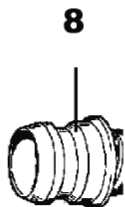
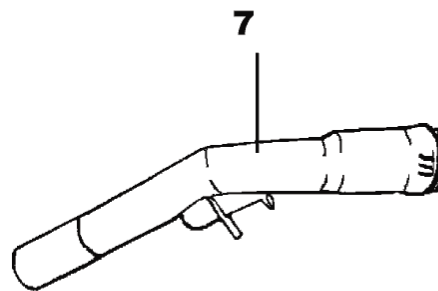
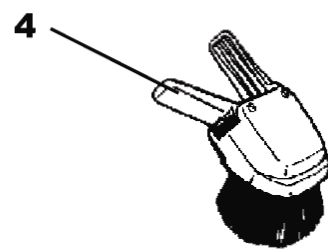
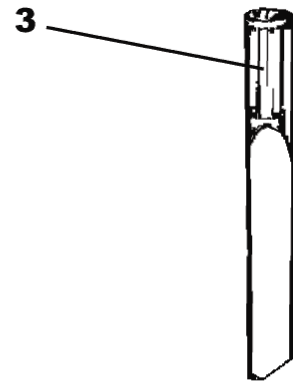
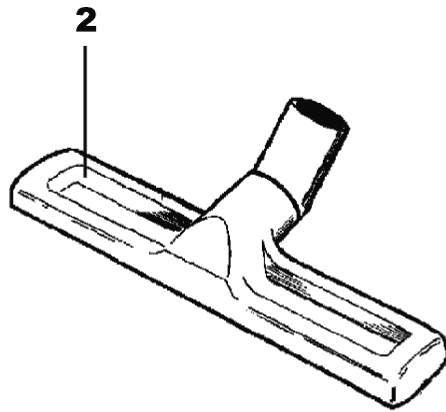
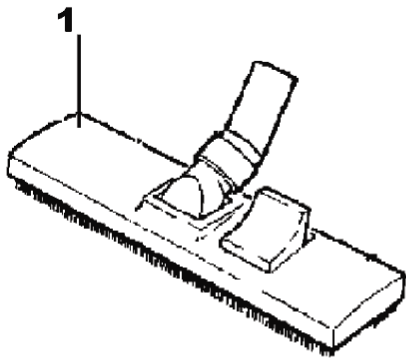
Nozzles, hose and tube

UZ 934

25-05-2009

Part List ID
B0637_2

7



Nozzles, hose and tube

UZ 934

25-05-2009

Part List ID

B0637 2

8

Pos	Part no.	Qty	Description	EAN
1	11980300	1	COMBO-FL. NOZZ. GREY 270MM	
2	140 6701 500	1	MULTI SURF NOZZLE DIAM.32 MM	7319519631
3	010 3098 500	1	CREVICE NOZZLE	7319519629
4	011 3104 500	1	SMALL COMBI NOZZLE	7319519629
5	011 8130 500	1	TELESCOPIC TUBE ALUMINIUM	7319519631
6	011 6431 500	1	EXTENSION TUBE ALUMINIUM	7319519631
7	140 7584 500	1	HOSE HANDLE CPL.	7319519631
8	140 3304 500	1	INLET SLEEVE D32	7319519631
9	140 6430 500	1	HOSE PLASTIC D32	7319519631