



## Electronic Service Manuals

This electronic document is provided as a service to our customers. We do not create the contents of the information contained in this document. Should you have detailed questions pertaining to the information contained in this document, you may contact Michco, or the manufacturer which provided the original information in this electronic deliverable. Michco's only part in this electronic deliverable was the electronic assembly process. By providing this manual on line we are not guaranteeing parts availability.

You may contact Michco through the following methods:

Phone (517) 484-9312 or (800) 331-3339

2011 N. High St. -- Lansing, Michigan -- 48906

Fax: (517) 484-9836

Email: [CustServe@Michco.com](mailto:CustServe@Michco.com)

Web site: [www.Michco.Com](http://www.Michco.Com)

Parts Web site: [www.FloorMachineParts.Com](http://www.FloorMachineParts.Com)

Order Parts on Line at:

**[www.FloorMachineParts.Com](http://www.FloorMachineParts.Com)**

Directly to Parts & Service:

By Email: **[Shop@Michco.com](mailto:Shop@Michco.com)**

By Fax: (517) 702-2041

By Voice: Use numbers above.

**Serving the Cleaning Industry Since 1922**

Notice: All copyrighted material remains property of original owners, all trademarks are property of respective owners. Manuals are subject to Manufacturer's reproduction limitations. Originals or reproductions were provided by manufacturers through a request. We make no warranty as to the correctness of information provided in this document and you assume all risk. By placing these manuals on line we are not declaring our corporation to be an manufacturer authorized dealer or provider, please check our web site for authorized manufacturers we represent.

# GD 2000-Commercial

---

Model:  
GD 2000  
GDP 2000  
GDS 2000  
HDS 2000



Part List English

18-03-2014

# Table of Contents

GD 2000-Commercial

<b>Motor and cord types, all models</b>	<b>3</b>
<b>Upper parts, all models</b>	<b>5</b>
<b>Electric switches service kit</b>	<b>7</b>
<b>Filter, HEPA-Filter and sound suppressor</b>	<b>9</b>
<b>Container bottom parts</b>	<b>11</b>
<b>Nozzles, tubes, hoses and dust bags</b>	<b>13</b>
<b>Nozzles, special consumer</b>	<b>15</b>
<b>RECOMMENDED SPARE PARTS</b>	<b>17</b>

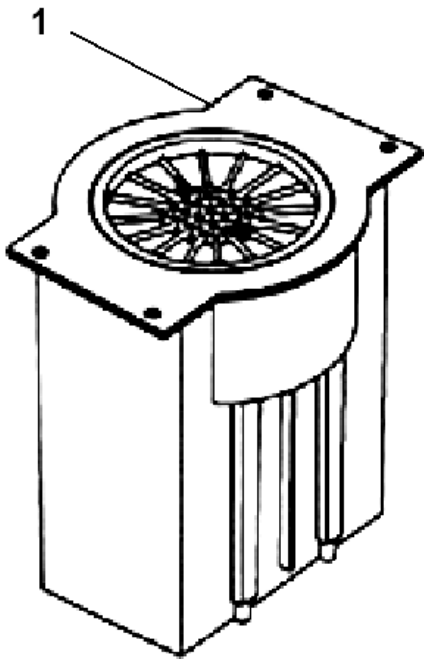
# Motor and cord types, all models

GD 2000-Commercial

18-03-2014

Part List ID B4633

3

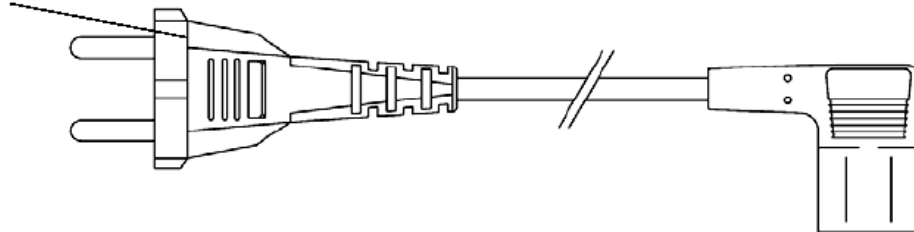


2

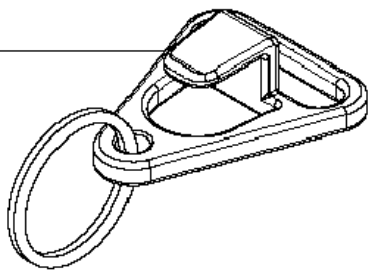
**Fig. 2 Cord set Ref.No. 120038xx**

<b>01 EU</b>		
<b>02 UK</b>		
<b>03 AU/NZ</b>		
<b>04 CH</b>		
<b>05 US/JP</b>		

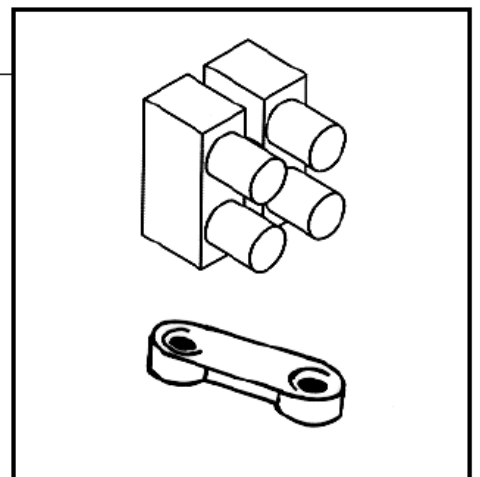
3



4



5



# Motor and cord types, all models

GD 2000-Commercial

18-03-2014

Part List ID

B4633

4

Pos	Part no.	Qty	Description
0	140 8557 000	1	CARTON GD 2000
1	140 8400 500	1	MOTOR CASS. CPL.220-240V
1	140 8400 510	1	MOTOR CASS. CPL.110-120V
1	140 8400 520	1	MOTOR CASSETTE CPL 100V KIT
2	12003801	1	CORD SET EU CPL. L=15M
2	12003802	1	CORD 15M
2	12003803	1	CORD SET AU/NZ CPL. L 15M
2	12003804	1	CORD SET CH CPL. L 15M Machine outphased 2010
2	12003805	1	CORD SET JP CPL. L 15M
3	140 8434 500	1	DETACHABLE CORD EU L=15M
3	140 8434 510	1	DETACHABLE CORD UK L=15M
4	140 8433 500	1	CABLE RELIEF KIT
5	147 0503 500	1	CABLE LOCKING KIT CABLE CONNECTOR AND CABLE

# Upper parts, all models

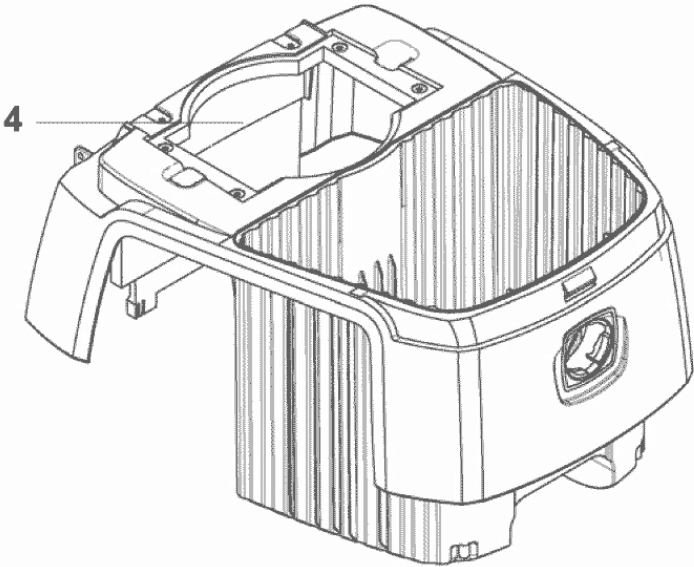
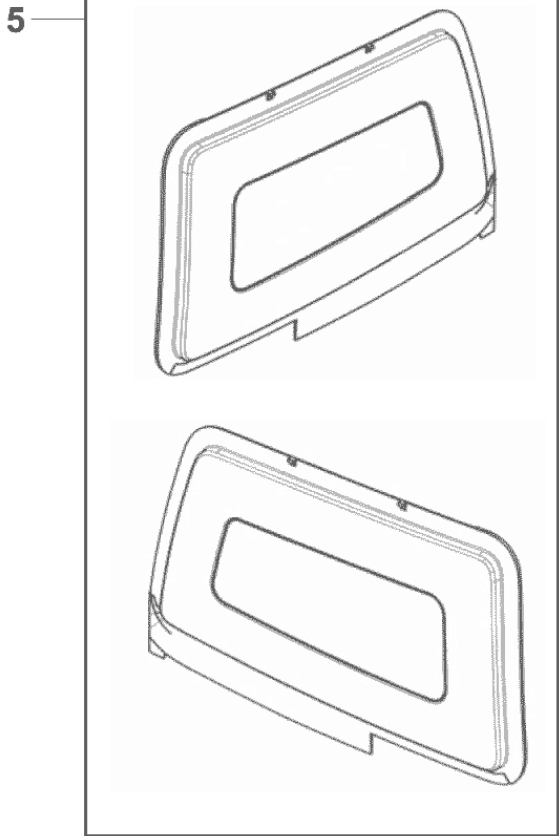
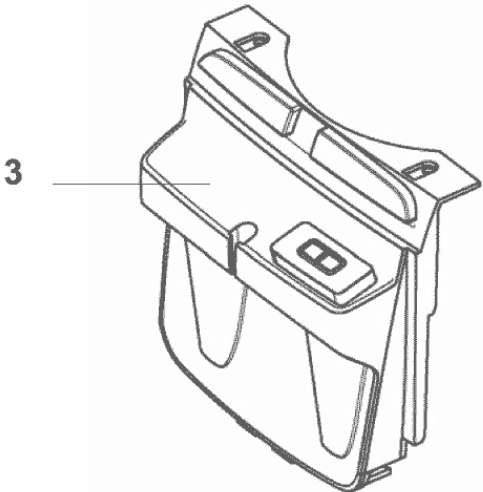
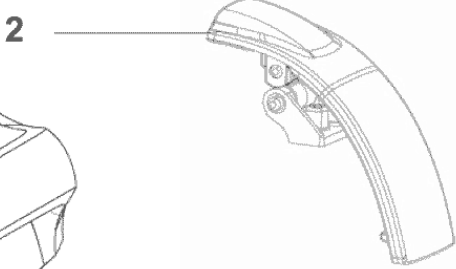
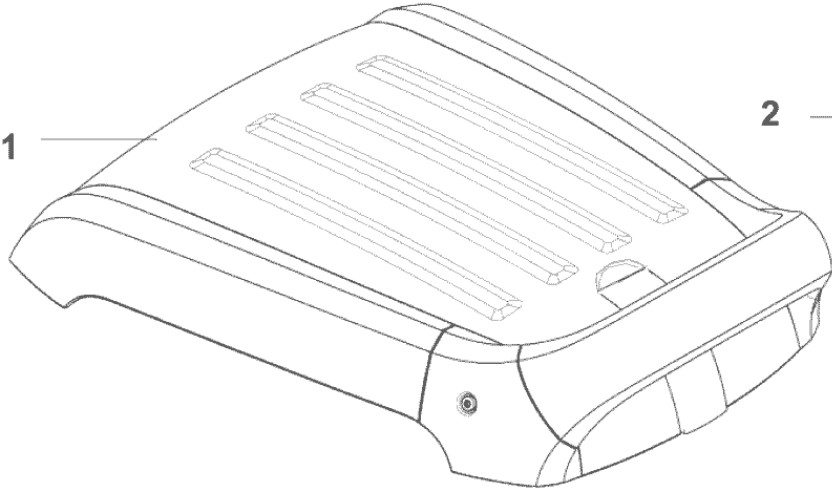
GD 2000-Commercial

18-03-2014

Part List ID

B4635

5



# Upper parts, all models

GD 2000-Commercial

18-03-2014

Part List ID

B4635

6

Pos	Part no.	Qty	Description
1	140 8419 500	1	LID CPL. GREY KIT FOR GD VERSIONS. LID, LAT
1	140 8419 510	1	LID W/SOUND ABSORBER GREY HANDLE,LATCH &FILTERS INC
1	140 8419 560	1	LID CPL ALTO-BLUE KIT
2	140 8444 500	1	LATCH CPL. KIT COLOUR: GREY
3	140 8560 500	1	COVER REAR CPL. KIT
3	140 8560 510	1	COVER REAR CPL UL KIT
3	140 8560 550	1	COVER REAR UL ALTO-BLUE KIT
3	140 8562 500	1	COVER REAR, TWO SPEED KIT
4	140 8409 500	1	CHASSI KIT
4	140 8409 510	1	CHASSIS UL GREY KIT
4	140 8409 550	1	CHASSIS UL ALTO-BLUE KIT
5	140 8414 520	2	SHEET OUTLET RIGHT LEFT
5	140 8571 500	2	COVER OUTLET RL-NILFISK KIT

# Electric switches service kit

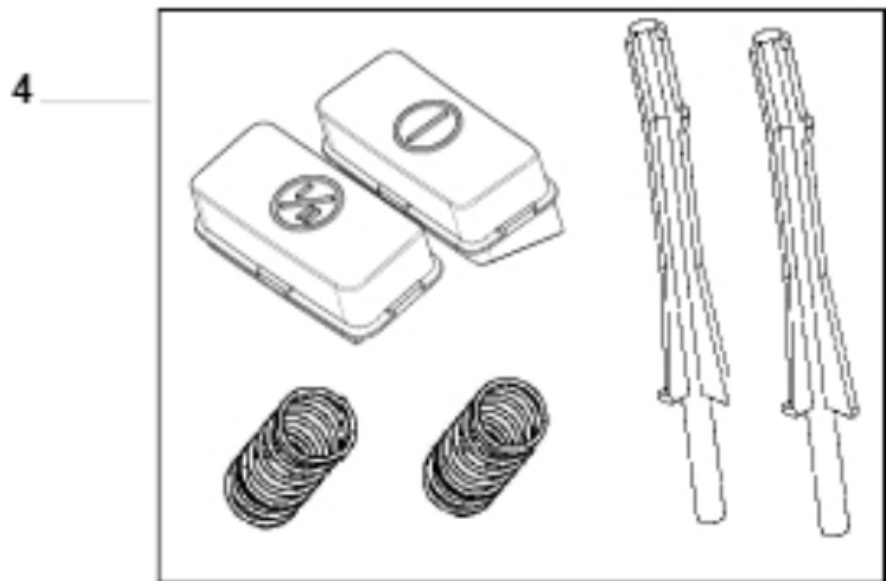
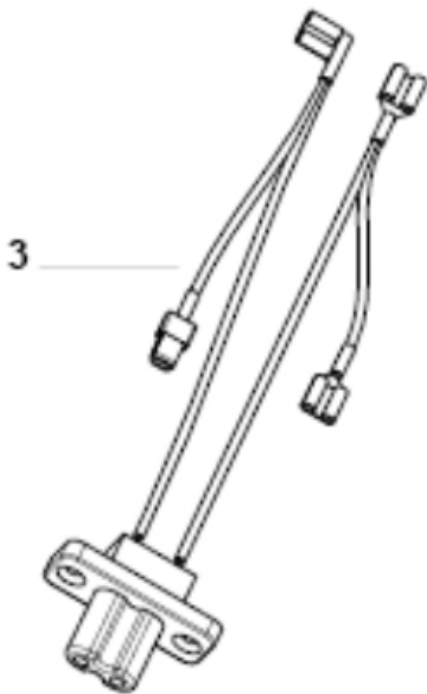
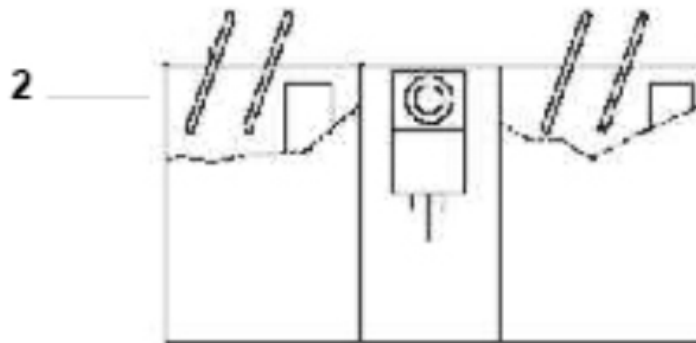
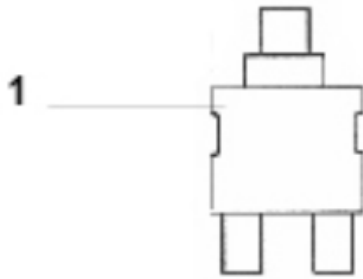
GD 2000-Commercial

18-03-2014

Part List ID

B4637

7



# Electric switches service kit

GD 2000-Commercial

18-03-2014

Part List ID B4637

8

Pos	Part no.	Qty	Description
1	140 8096 500	1	SWITCH KIT
2	140 7026 500	1	2S CIRCUIT BOARD 220-240V
2	140 7026 510	1	2S CIRCUIT BOARD 110-120V KIT
3	140 8497 500	1	CONNECTOR CPL.KIT
3	140 8497 520	1	CONNECTOR CPL UL-APPR 1-S KIT
4	140 8575 510	1	NEW SWITCH BUTTON KIT
5	140 8166 520	1	CONDENSATOR KIT

# Filter, HEPA-Filter and sound suppressor

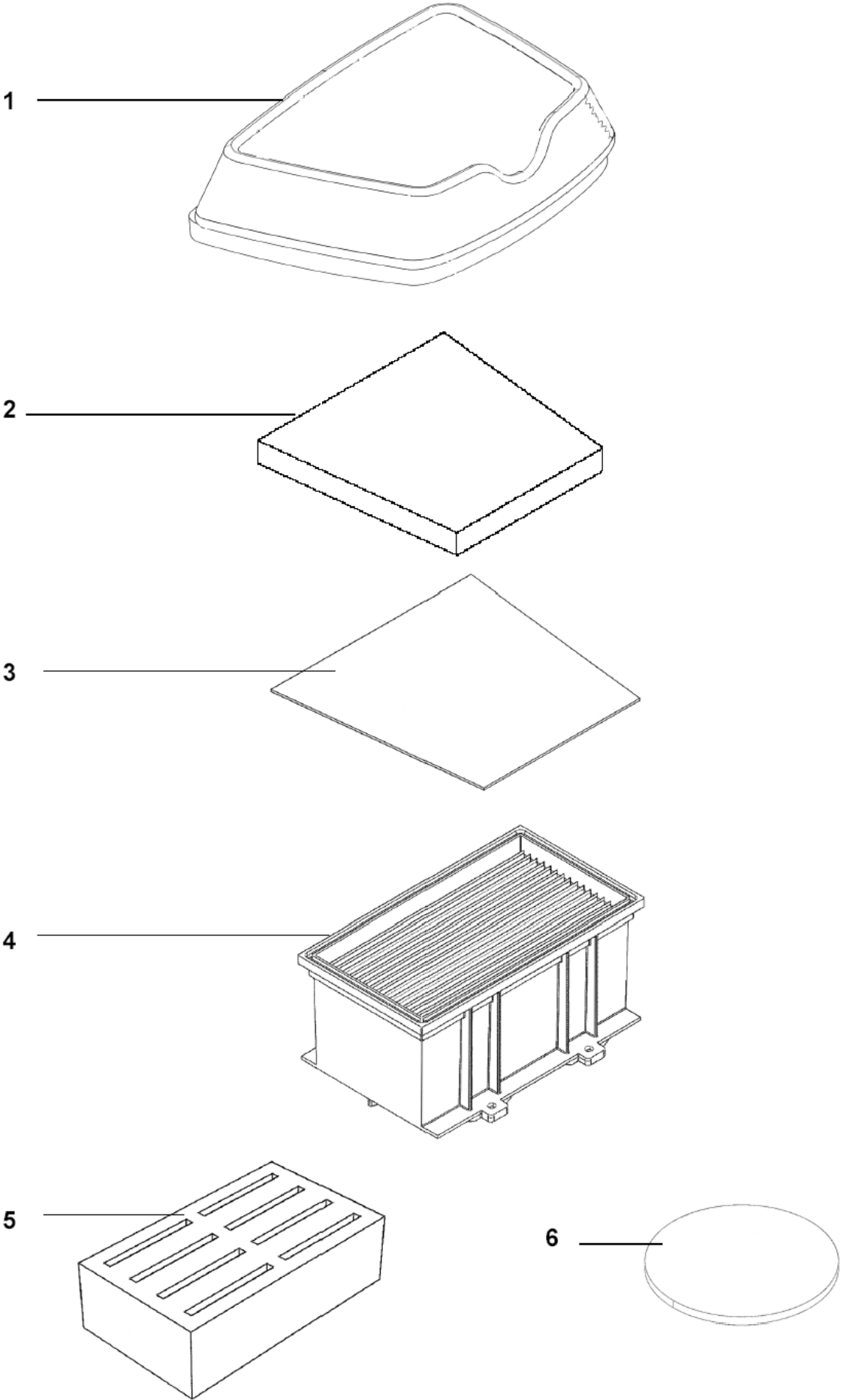
GD 2000-Commercial

18-03-2014

Part List ID

B4639

9



# Filter, HEPA-Filter and sound suppressor

GD 2000-Commercial

18-03-2014

Part List ID

B4639

10

Pos	Part no.	Qty	Description
1	140 8423 500	1	SACK FILTER CPL. KIT
2	140 8435 500	1	MAIN FILTER KIT
3	140 8436 500	5	PAPER FILTER KIT(5PCS)
4	140 8404 500	1	HEPA FILTER KIT
5	140 8561 500	1	SILENCER, EXHAUST KIT
6	140 8551 500	1	MOTOR FILTER KIT

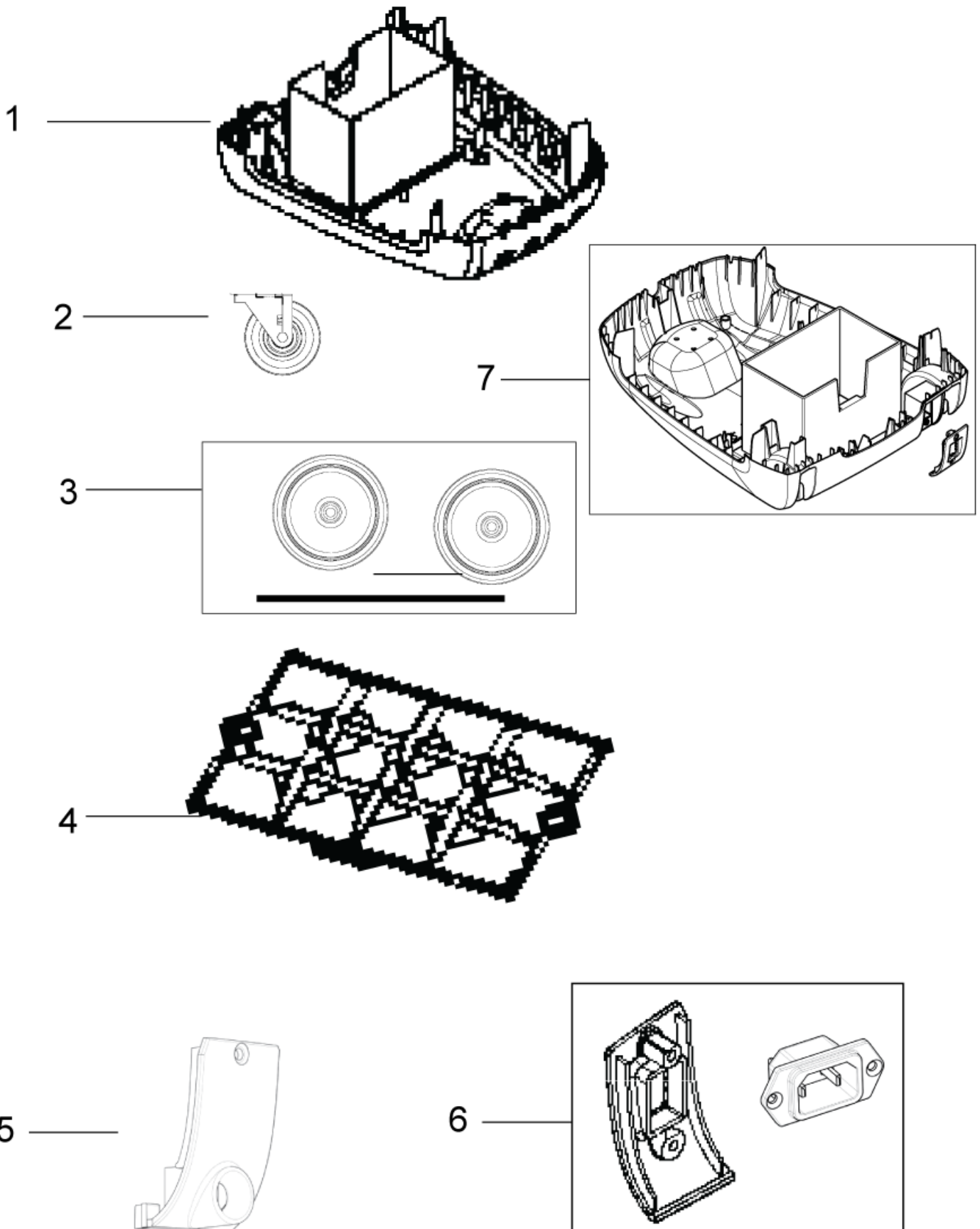
# Container bottom parts

GD 2000-Commercial

18-03-2014

Part List ID  
B46311

11



# Container bottom parts

GD 2000-Commercial

18-03-2014

Part List ID  
B46311

12

Pos	Part no.	Qty	Description	
1	140 8565 500	1	LOWER PART BASIC KIT COLOUR: GREY	
1	140 8566 500	1	LOWER PART F. POWER OUTLE	
1	140 8566 510	1	LOWER PART F POW OUTLET UL KIT	
1	140 8566 560	1	L.PART F POW UL ALTO-BLUE KIT	
2	140 8445 500	1	CASTOR WHEEL KIT	
3	140 8446 500	1	REAR WHEELS KIT 2 REAR WHEELS AND 1 STEEL	
4	140 8428 500	1	COVER, LOWER PART KIT	
4	140 8428 530	1	LID LOWER PART ALTO-BLUE KIT	
5	140 8430 500	1	COVER, PROTECTION SLEEVE	
5	140 8430 510	1	COVER PROT SLEEVE GREY UL	
5	140 8430 550	1	COVER P.SLEEVE ALTO-BLUE KIT	
6	140 8577 500	1	COVER PROT SLEEVE DETACH COLOUR: GREY	
7	140 8567 500	1	LOWER PART F DETACH CORD COLOUR: GREY	incl. cover protection sleeve
7	140 8568 500	1	LOW.PART F.POW+DET. CABLE	incl. cover protection sleeve

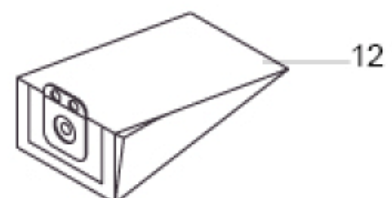
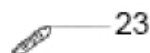
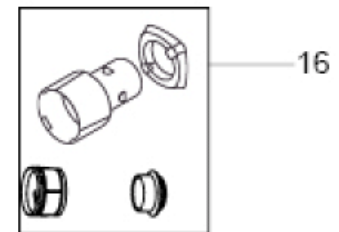
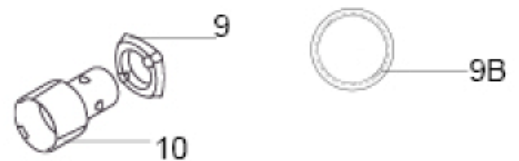
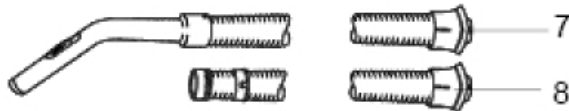
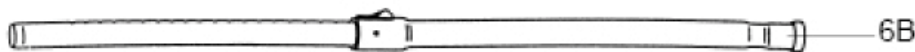
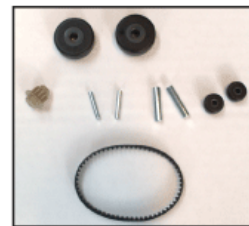
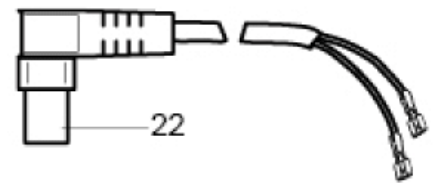
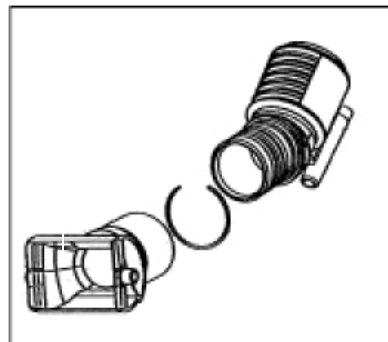
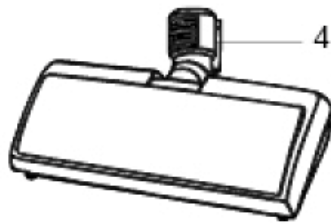
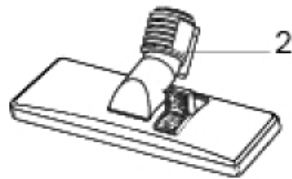
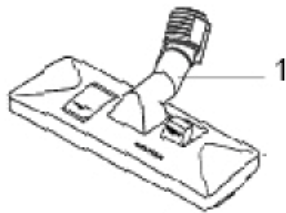
# Nozzles, tubes, hoses and dust bags

18-03-2014

Part List ID  
B46313

GD 2000-Commercial

13



# Nozzles, tubes, hoses and dust bags

GD 2000-Commercial

18-03-2014

Part List ID

B46313

14

Pos	Part no.	Qty	Description	
1	11980300	1	COMBI NOZZLE 32MM	
2	12019401	1	COMBI DRY NOZZLE	
3	140 8492 510	1	ROLLER COMBI NOZZLE	
4	12010100	1	ELECTRO NOZZLE	
6	11112401	1	STEEL TUBE 32MM 560MM	
7	12018001	1	HOSE 38/32MM 2M PLASTIC WITH PLASTIC CURVED TUBE	
8	22042401	1	TAPERED HOSE WITH COUPLING ONLY	
9	11542001	1	Gasket complete	
10	12018101	1	Hose Coupler	
11	21640503	1	Curved Tube Plastic	
12	140 8618 000	1	DUST BAG 10L 10 PCS GD 2000 SERIES	
12	22251800	1	DUSTBAG REUSABLE GD 1000	
12	82222900	5	FAMILY BAGS 9 LITRES 5 PK	
14	22367500	1	COUPLING FOR TUBE GD1000	Use only for 12010100 (pos. 4)
15	22365000	1	KIT BRUSH & BELT	Use only for 12010100 (pos. 4)
16	147 0210 520	1	HOSE CONNECTOR KIT DARK GREY	
20	22350900	1	Rings f tapered or conic hose 32mm to attach tube	
22	22201500	1	Cord	
23	22351000	1	SHUTTER GREY 32mm	
6B	81192100	1	Tube ring 32mm plastic fits 11112401 only	
6B	81906500	1	TELESCOPIC TUBE 32MM MAX LENGTH 113CM	
6B	81948300	1	RING F. TELESKOPR?R	
9B	010 9299 540	1	GASKET	

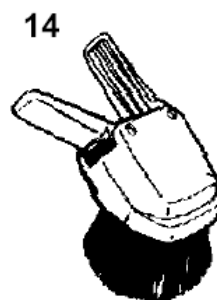
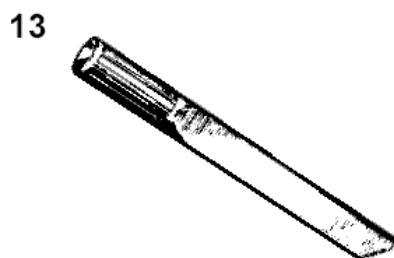
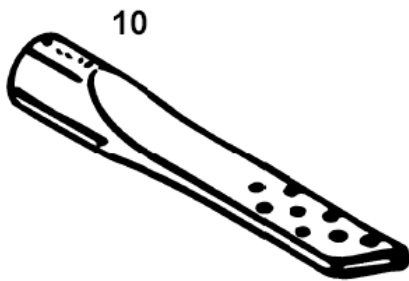
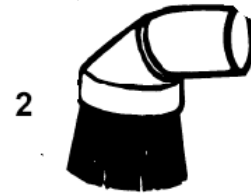
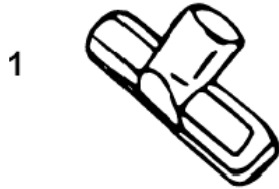
# Nozzles, special consumer

GD 2000-Commercial

18-03-2014

Part List ID  
B46315

15



# Nozzles, special consumer

GD 2000-Commercial

18-03-2014

Part List ID  
B46315

16

Pos	Part no.	Qty	Description
1	32043700	1	UPHOLSTERY NOZZLE COMPLETE
2	11276901	1	ROUND BRUSH 32MM PLASTIC
2	22103600	1	ROUND BRUSH (ALLERGIC)
10	81530400	1	CREVICE NOZZLE 32MM PLASTIC
11	11530500	1	CREVICE NOZZLE BRUSH 32MM
12	81140900	1	CONE 32MM PLASTIC
13	010 3098 500	1	CREVICE NOZZLE
14	011 3104 500	1	SMALL COMBI NOZZLE ROUND BRUSH/UPHOLSTERY

# RECOMMENDED SPARE PARTS

GD 2000-Commercial

18-03-2014

Part List ID

B46317

17

No Drawing For Part List

# RECOMMENDED SPARE PARTS

GD 2000-Commercial

18-03-2014

Part List ID

B46317

18

Pos	Part no.	Qty	Description
0	010 9299 540	1	GASKET
0	12003801	1	CORD SET EU CPL. L=15M
0	12003802	1	CORD 15M
0	12003803	1	CORD SET AU/NZ CPL. L 15M
0	12003804	1	CORD SET CH CPL. L 15M Machine outphased 2010
0	12003805	1	CORD SET JP CPL. L 15M
0	140 8400 500	1	MOTOR CASS. CPL.220-240V
0	140 8400 510	1	MOTOR CASS. CPL.110-120V
0	140 8400 520	1	MOTOR CASSETTE CPL 100V KIT
0	140 8434 500	1	DETACHABLE CORD EU L=15M
0	140 8434 510	1	DETACHABLE CORD UK L=15M
0	140 8435 500	1	MAIN FILTER KIT
0	140 8445 500	1	CASTOR WHEEL KIT
0	140 8446 500	1	REAR WHEELS KIT 2 REAR WHEELS AND 1 STEEL
0	140 8497 500	1	CONNECTOR CPL.KIT
0	140 8497 520	1	CONNECTOR CPL UL-APPR 1-S KIT
0	140 8551 500	1	MOTOR FILTER KIT
0	140 8561 500	1	SILENCER, EXHAUST KIT
0	140 8575 510	1	NEW SWITCH BUTTON KIT
0	140 8577 500	1	COVER PROT SLEEVE DETACH COLOUR: GREY
0	147 0210 520	1	HOSE CONNECTOR KIT DARK GREY
0	22201500	1	Cord
0	22251800	1	DUSTBAG REUSABLE GD 1000
0	22350900	1	Rings f tapered or conic hose 32mm to attach tube