



# Electronic Service Manuals

This electronic document is provided as a service to our customers. We do not create the contents of the information contained in this document. Should you have detailed questions pertaining to the information contained in this document, you may contact Michco, or the manufacturer which provided the original information in this electronic deliverable. Michco's only part in this electronic deliverable was the electronic assembly process.

You may contact Michco through the following methods:  
Phone (517) 484-9312 or (800) 331-3339 MI, OH, IN only  
2011 N. High St. -- Lansing, Michigan -- 48906  
Fax: (517) 484-9836  
Email: [CustServ@Michco.com](mailto:CustServ@Michco.com)  
Web site: [www.Michco.Com](http://www.Michco.Com)  
Parts Web site: [www.FloorMachineParts.Com](http://www.FloorMachineParts.Com)

Order Parts on Line at:  
**[www.FloorMachineParts.Com](http://www.FloorMachineParts.Com)**

Directly to Parts & Service:  
By Email: **[Shop@Michco.com](mailto:Shop@Michco.com)**  
By Fax: (517) 702-2041  
By Voice: Use numbers above.

**Serving the Cleaning Industry Since 1922**

Notice: All copyrighted material remains property of original owners, all trademarks are property of respective owners. Manuals are subject to Manufacturer's reproduction limitations. Originals or reproductions were provided by manufacturers through a request. We make no warranty as to the correctness of information provided in this document and you assume all risk.

# LOWBOY VAC

MODELS: LB100  
LB100-5

FORM NO.: 042 037

SERIAL NO. 771639

APL. 1980

# PARTS LIST



**ADVANCE**  
**MACHINE COMPANY**  
INTERNATIONAL HEADQUARTERS, Spring Park, Minnesota 55384 USA  
EUROPE, 4 Rue Jean Engling, Dommeldange, Luxembourg  
CANADA, 45 Iron Street, Rexdale, Ontario



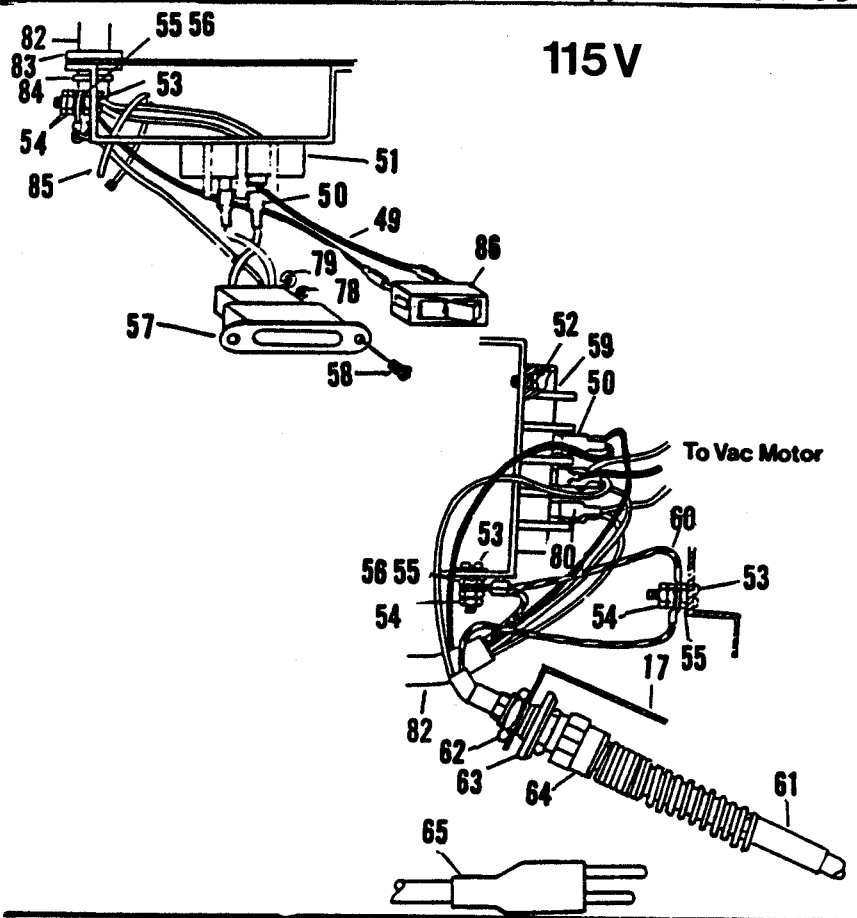
## Index for Form Number 042037

<b>Description</b>	<b>Location</b>	<b>page</b>
Switch & Cord	F9	3
Vacuum Assemblby	F7	1
Wiring Diagram	F11	5

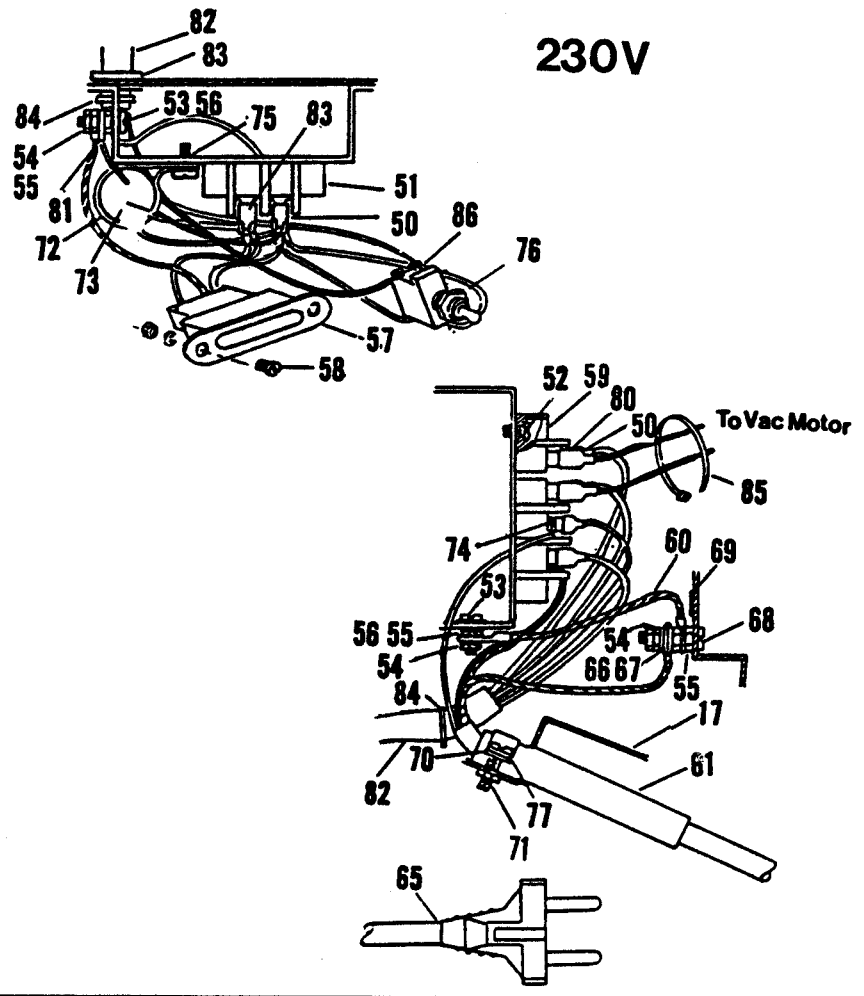


ITEM	PART NO.	QTY.	DESCRIPTION
1	301 514	2	HOOK,Cord
2	301 556	1	SUPPORT PLATE
3	301 580	1	HOUSING,Upper w/Decals /Gaskets
4	015 340	1	DECAL,Wiring 115V
	015 342	1	DECAL,Wiring 230V
5	301 738	1	GASKET,Cover
6	301 548	1	SCREEN,Weldment
7	301 585	2	GASKET
8		4	SCREW,Pan Hd #10-24 X.50 S.T
9	301 546	1	FOAM,Sound Reduction
10	301 588	1	PLATE,Motor
11	321 737	1	CONNECTOR,Wire 115V only
12	209 325	1	GASKET,Motor
13	301 724	1	MOTOR,Vac 115V
	301 726	1	MOTOR,Vac 230V
14	384 898	1	FILTER,Vac Motor
15	200 778	2	GASKET,1/16 x 1/2 X 36
16		3	SCREW,Pan Hd #10-24 X.3125 S.T
17	301 516	1	HINGE
18	468 721	1	GASKET
19		3	SCREW,Pan Hd #10-24 X.625 S.T
20		3	WASHER,Flat #10
21	301 550	1	GRILL,Exhaust
22	301 528	1	DEFLECTOR, 115V
23	301 652	1	DEFLECTOR, 230V
	301 656	1	PLATE,Nut
24	301 654	4	SUPPORT CUP
25	301 527	2	CASTER w/Pin Hole,2 1/4"
	301 526	2	CASTER,Swivel 2 1/4"
26		30	SCREW,Pan Hd #10-24 X.50
27	015 194	1	DECAL,Warning
28	015 314	1	DECAL,Warning
29		8	SCREW,Oval Hd #10-24 X.50
30	449 340	8	WASHER,Finishing #10
31	301 586	1	HANGER
32		36	WASHER,Shakeproof #10
33	301 582	1	PLATE,Nut Hanger
34	301 540	1	HOUSING,Latch
35	015 317	1	DECAL,Panel 115V
	015 322	1	DECAL,Panel 230V
36	301 578	1	HOUSING,Lower w/Decals/Gasket 115V
	301 624	1	HOUSING,Lower w/Decals/Gasket 230V
37	301 620	1	NECK INLET
38	209 519	4	SCREW, #10-16 X.75 S.S.S.T
39	344 621	1	GROMMET
40	301 720	1	MOUNT WELDMENT
41	301 596	1	GASKET
42	301 566	1	BAG,Cloth w/Clip
43	201 390	2	GASKET
44	201 386	1	CONNECTOR ASS'Y.,Incls:Item 45
45	365 548	1	LOCK PIN ASS'Y.
46	201 820	1	ADAPTOR 1 1/2"
47	301 598	1	PLATE,Latch
48	015 305	1	DECAL,Lowboy

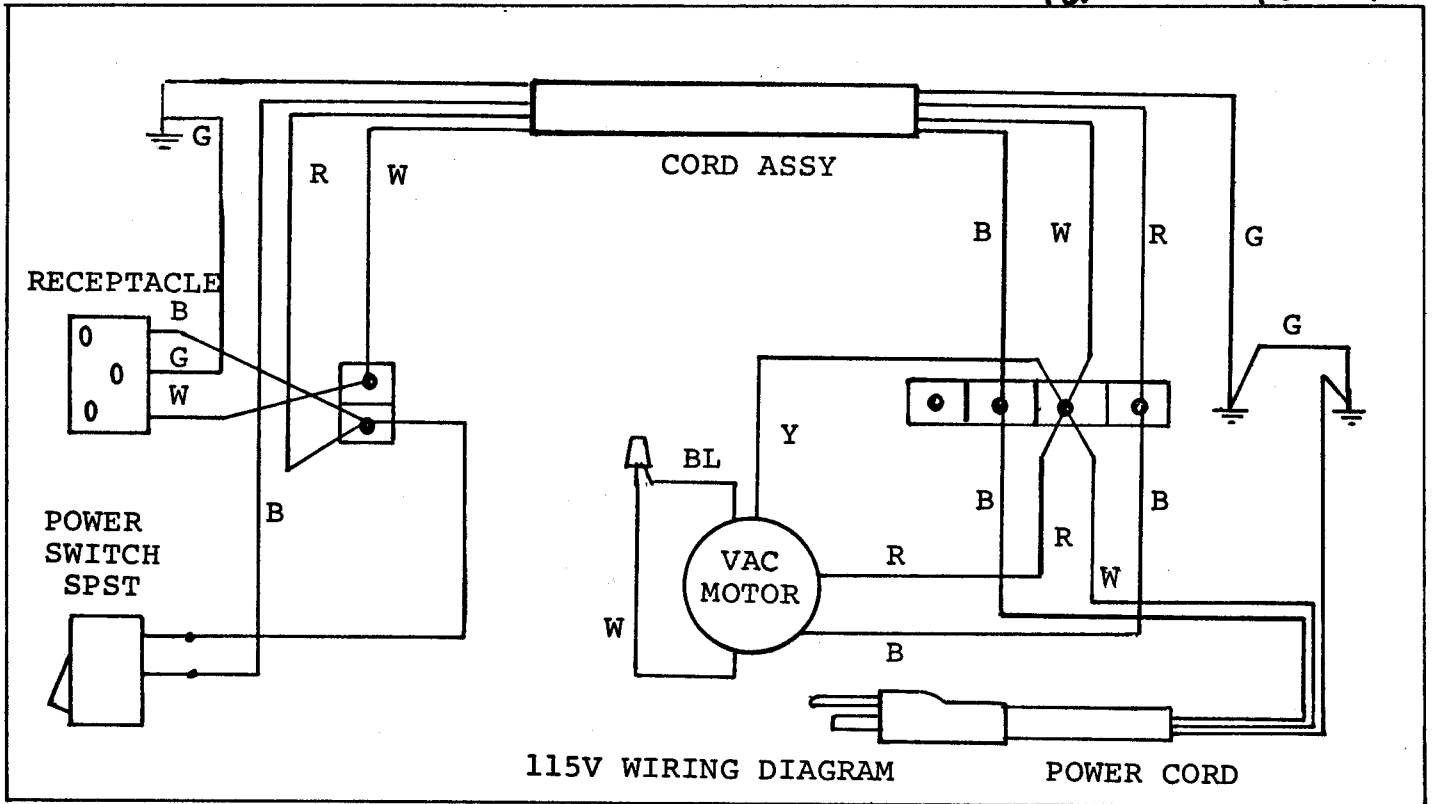
### 115V



### 230V

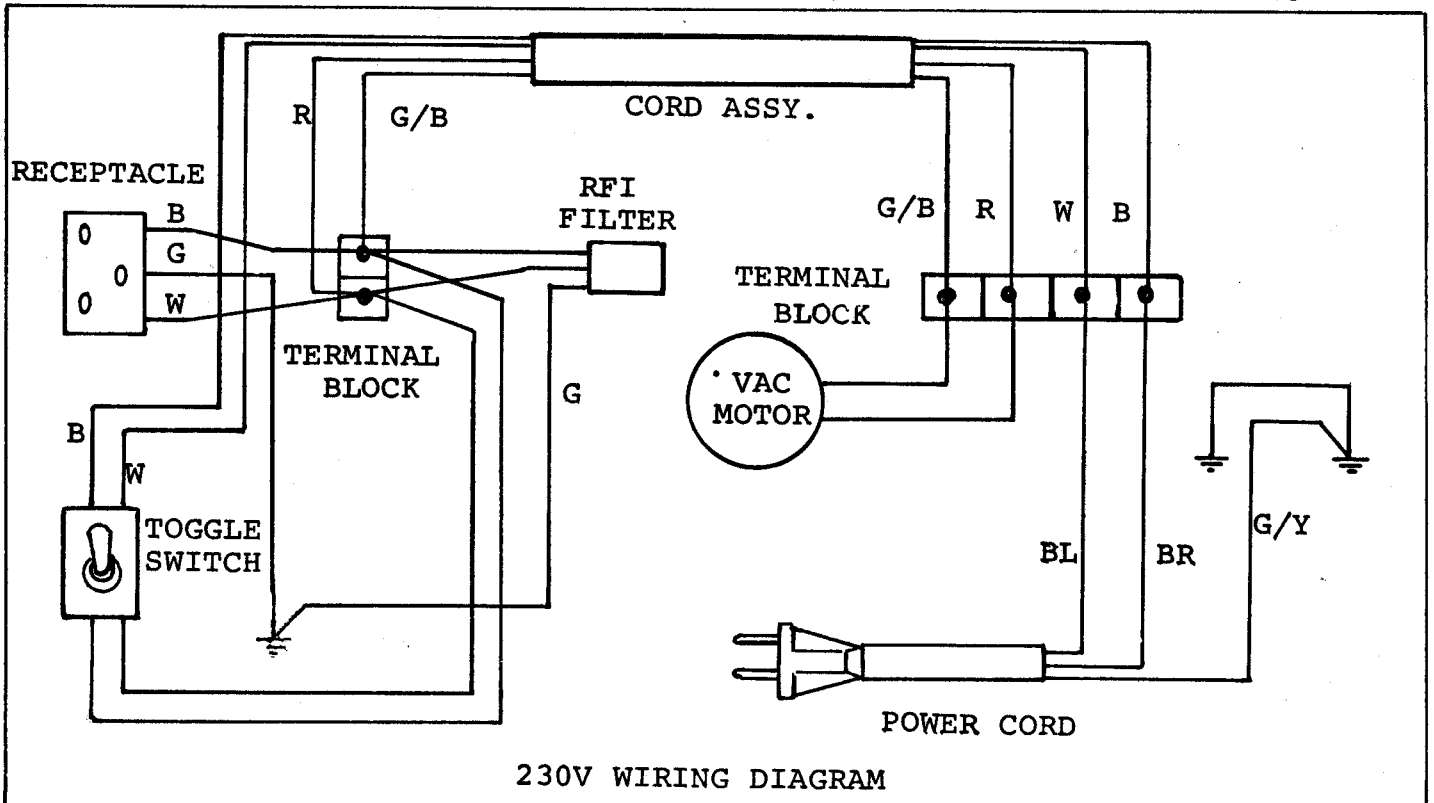


49	154 905	1	WIRE ASS'Y., #14 X 12
50	301 710	3	TERMINAL TAB .250 45 (6 used on 230V)
	301 712	5	TERMINAL TAB .250 'U' (4 used on 230V)
		5	SCREW, Pan Hd #6-32 X.312 (4 used on 230V)
51	290 572	1	TERMINAL BLOCK
52		4	SCREW, Pan Hd #8-32 X.375
53		3	SCREW, Pan Hd #8-32 X.625 (2 used on 230V)
54		6	NUT, Hex #8-32 (7 used on 230V)
55		3	NUT, Whiz #8-32
56		5	WASHER, Shakeproof #8
57	301 736	1	RECEPTACLE
58		2	SCREW, Pan Hd #6-12 X.50
59	328 062	1	TERMINAL BLOCK
60	245 053	1	WIRE ASS'Y., #14 X 8
61	322 028	1	TUBE, Pvc .375 X 5.00 115V
	300 602	1	TUBE, Rubber 230V
62	200 441	1	NUT, Lock 3/8 NPSL
63	200 433	1	WASHER, Machined .68
64	162 736	1	STRAIN RELIEF
65	301 730	1	CORD SET 115V
	301 732	1	CORD SET 230V
66	325 274	1	WASHER, Cupped
67	325 276	1	WASHER, .17 X.38 X.03
68		1	SCREW, Pan Hd #8-32 X.875
69	014 119	1	DECAL, Ground Symbol
70	249 623	1	CLAMP, Strain Relief
71		2	SCREW, Pan Hd #8-32 X.50
72	328 064	1	CLAMP, Cable .75
73	382 830	1	FILTER, RFI
74	290 574	2	SCREW, w/Washer
75		1	SCREW, Pan Hd #10-24 X.375
76	249 678	2	WIRE ASS'Y., #14 X 14
77		2	WASHER, Flat #8
78		2	WASHER, Shakeproof #8
79		2	NUT, Hex #6-32
80	469 384	4	RECEPTACLE TAB, .250 (4 used on 230V)
81	311 227	1	TERMINAL RING #8
82	301 728	1	CORD ASS'Y., 115V
	301 734	1	CORD ASS'Y., 230V
83	301 544	2	GROMMET
84	320 358	2	STRAIN RELIEF
85	478 246	1	CABLE TIE
86	325 140	1	SWITCH, Rocker 115V
	301 636	1	SWITCH, Toggle 230V



WIRE CODE

B - BLACK	BL - BLUE	BR - BROWN
W - WHITE	R - RED	G/B- GREEN w/BLACK SLEEVING
G - GREEN	G/Y- GREEN/YELLOW	



# WIRING DIAGRAM

