



## **Electronic Service Manuals**

This electronic document is provided as a service to our customers. We do not create the contents of the information contained in this document. Should you have detailed questions pertaining to the information contained in this document, you may contact Michco, or the manufacturer which provided the original information in this electronic deliverable. Michco's only part in this electronic deliverable was the electronic assembly process. By providing this manual online we are not guaranteeing parts availability.

You may contact Michco through the following methods:

**Phone (517) 484-9312**

2011 N. High St. -- Lansing, Michigan -- 48906

Fax: (517) 484-9836

Email: [CustomerService@Michco.com](mailto:CustomerService@Michco.com)

Website: [www.Michco.Com](http://www.Michco.Com)

Order Parts online at:

**[www.Michco.Com](http://www.Michco.Com)**

Directly to Parts & Service:

By Email: **[CustomerService@Michco.com](mailto:CustomerService@Michco.com)**

By Fax: (517) 484-9836

By Voice: (517) 484-9312

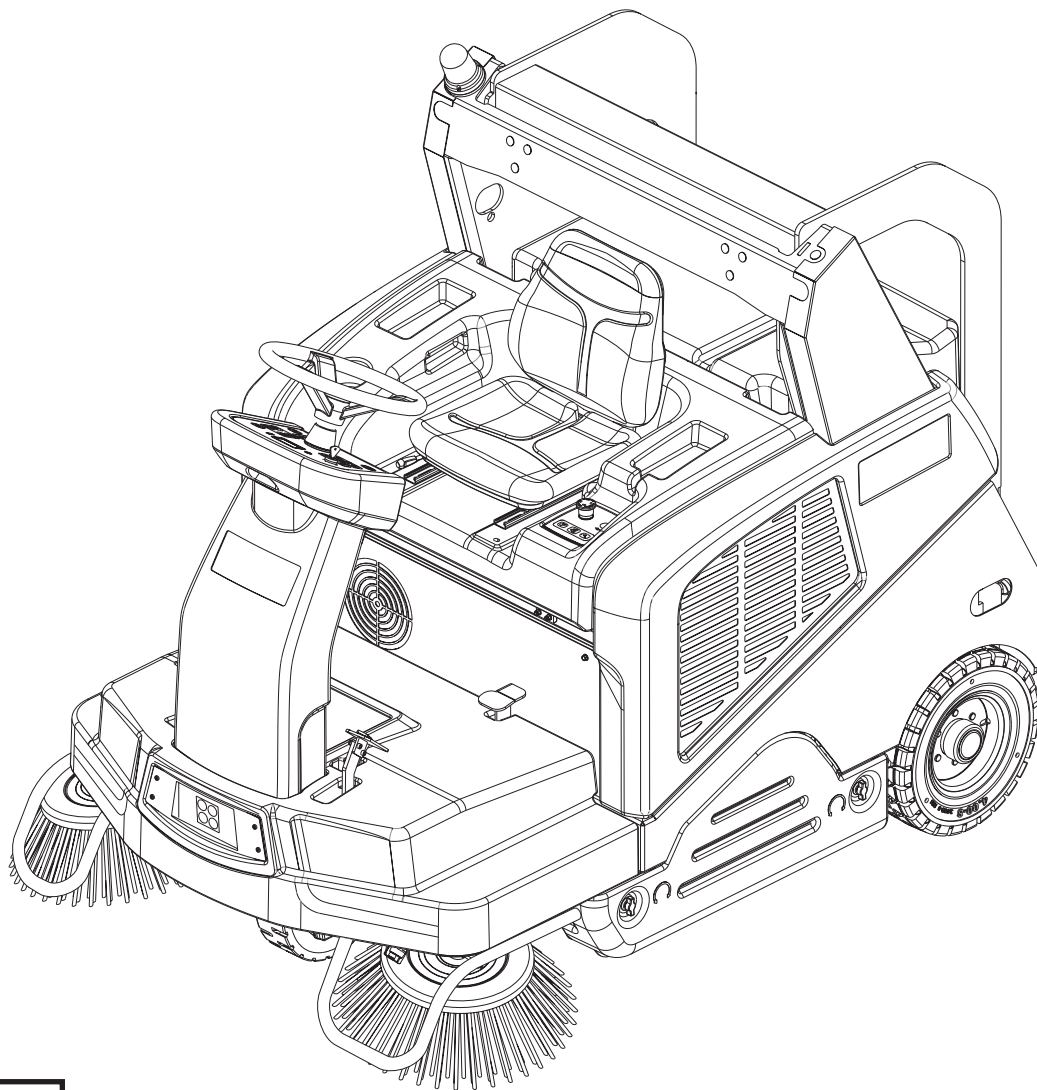
**Serving the Cleaning Industry Since 1922**

Notice: All copyrighted material remains property of original owners, all trademarks are property of respective owners. Manuals are subject to Manufacturer's reproduction limitations. Originals or reproductions were provided by manufacturers through a request. We make no warranty as to the correctness of information provided in this document and you assume all risk. By placing these manuals on line we are not declaring our corporation to be an manufacturer authorized dealer or provider, please check our web site for authorized manufacturers we represent.

# SW5500

## Parts list

09/2016 Revised 04/2018  
(E)  
FORM NO. 1467285000



Model No.:  
9084416010, 9084417010



**TABLE OF CONTENTS**

FOOTBOARD ASSY .....	2
SUPPORT SEAT ASSY .....	4
PLATE ASSY .....	6
COVERS ASSY .....	8
HATCHES ASSY .....	10
COLUMN DASHBOARD ASSY .....	12
STEERING MOTORWHEEL ASSY .....	14
MOTORWHEEL ASSY .....	16
ACCELERATOR PEDAL ASSY .....	18
BRAKE PEDAL ASSY .....	20
REAR WHEELS ASSY .....	22
ELECTRICAL COMPONENTS ASSY .....	24
RIGHT BROOM ASSY .....	26
LEFT BROOM ASSY .....	28
MAIN BROOM ASSY .....	30
MAIN BROOM ADJUSTMENT .....	32
LEFT ARM MAIN BROOM ASSY .....	34
SKIRTS ASSY .....	36
FRONT SKIRT ASSY .....	38
LIFTING HOPPER ASSY .....	40
CYLINDERS ASSY .....	44
HYDRAULIC ASSY .....	46
FAN SUPPORT ASSY .....	50
SHAKER FILTER ASSY .....	52
VACUUM FAN ASSY .....	54
ENGINE FAN ASSY .....	58
LPG ENGINE ASSY .....	60
LPG ENGINE SPARES .....	62
ALTERNATOR SPARES .....	64
ENGINE ISOLATION .....	66
LPG SYSTEM ASSY .....	68
LPG TANK SUPPORT ASSY .....	70
WIRING DIAGRAM BATTERY .....	82
WIRING DIAGRAM LPG .....	84
RECOMMENDED SPARE PARTS .....	86
OPTIONALS, ACCESSORIES .....	88

**WHEN ORDERING PARTS**

- Use the part numbers from the “REF. NO.” columns in this parts list. If the “REF. NO.” column is blank; look under the “KIT” column to identify which kit contains the part in question, then use the kit callout, for example “K1”, to find the “REF. NO.” for that kit.
- Specify the model and serial number of the machine.
- Use the space below to record the model and serial number for future reference.

Model No.

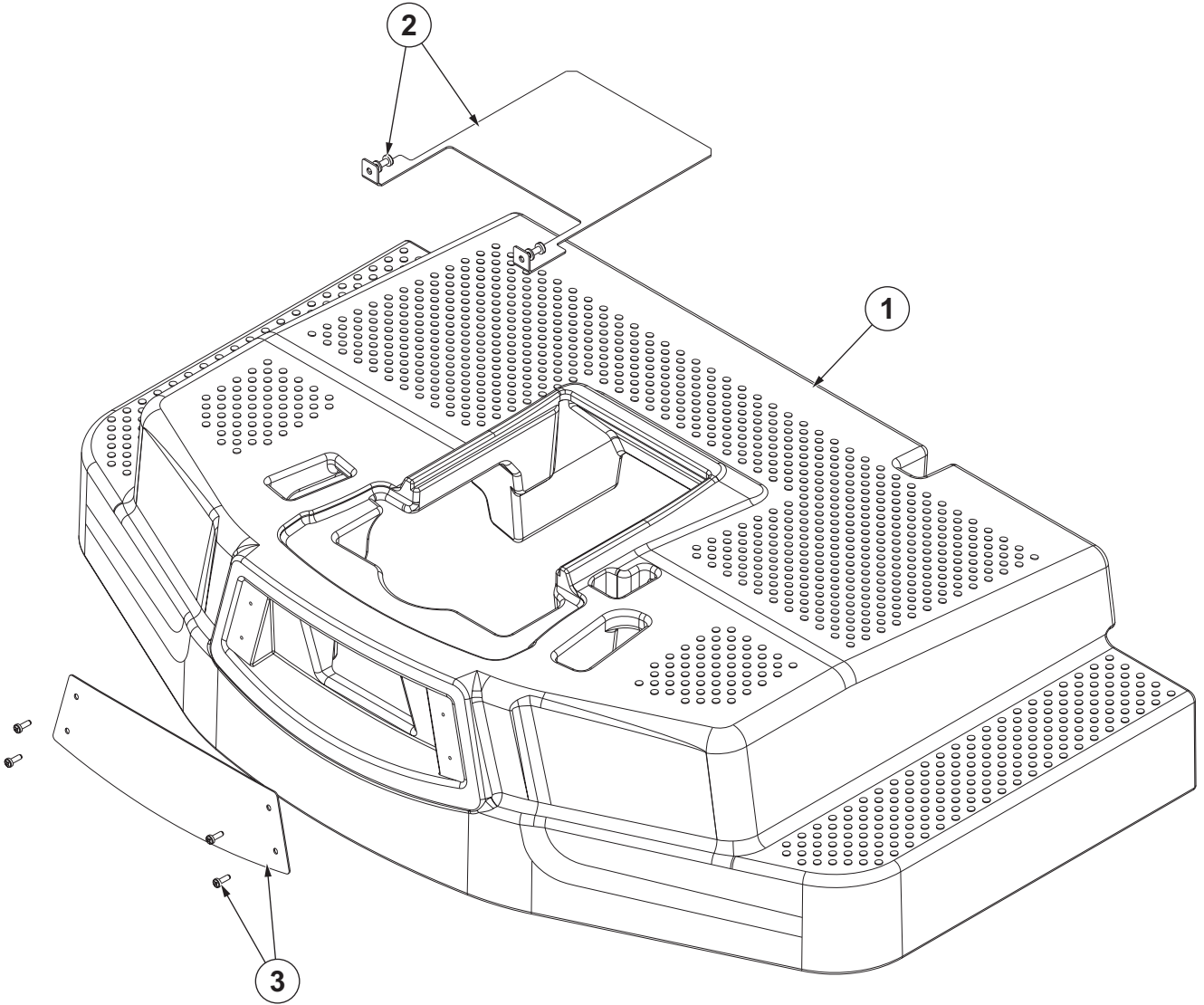
Serial No.

\* = Optional

# = Modified item No. or New item No.

[ ] = Not shown

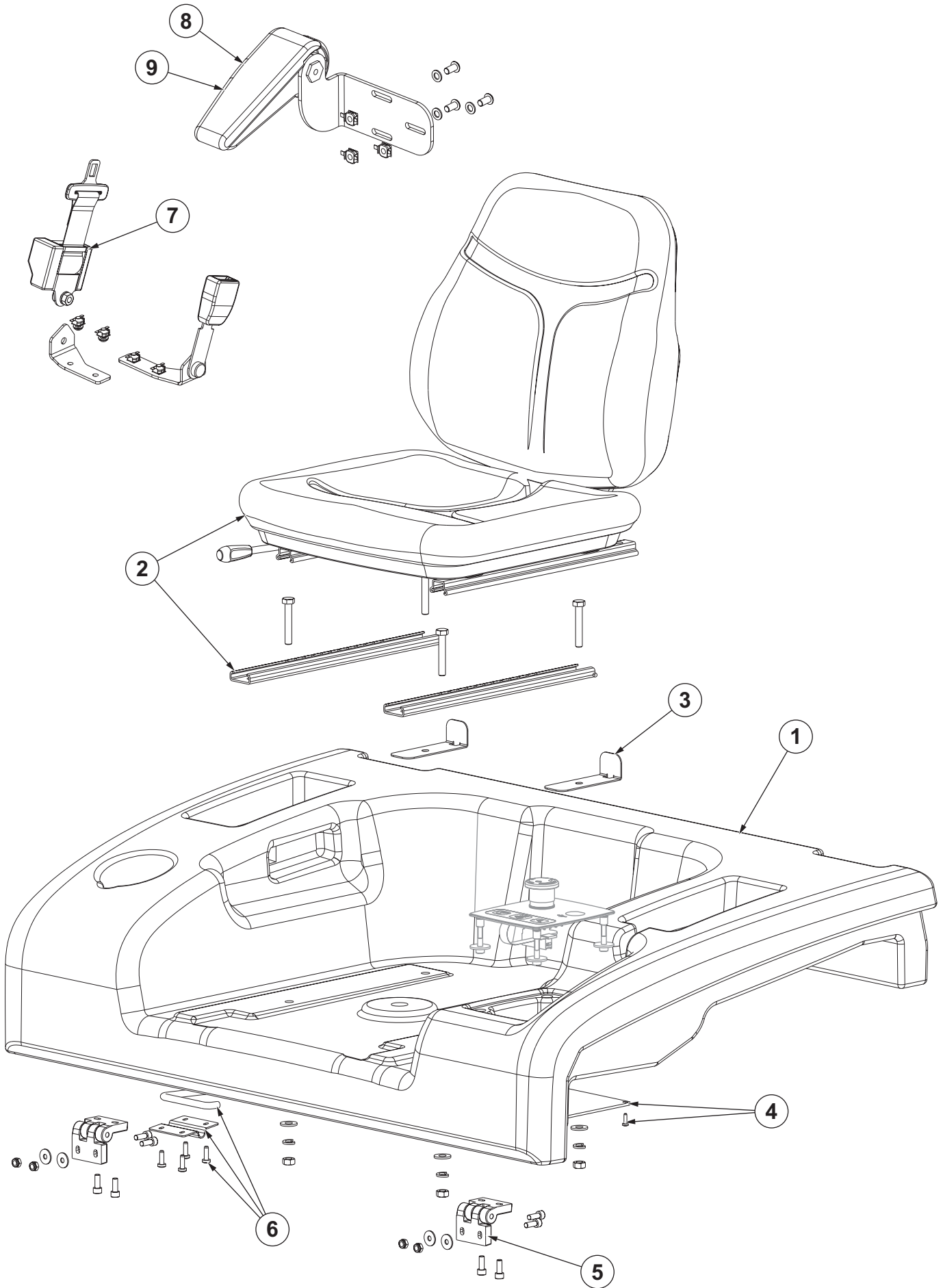
FOOTBOARD ASSY



**FOOTBOARD ASSY**

KIT	ITEM	REF. NO.	QTY	DESCRIPTION	NOTE
	1	1466852000	1	FOOTBOARD PLASTIC BLACK KIT	
	2	1466847000	1	PLATE MET. F FOOTBOARD INSPECTION KIT	
	3	1466848000	1	PLATE MET. BLACK FRONT F FOOTBOARD KIT	

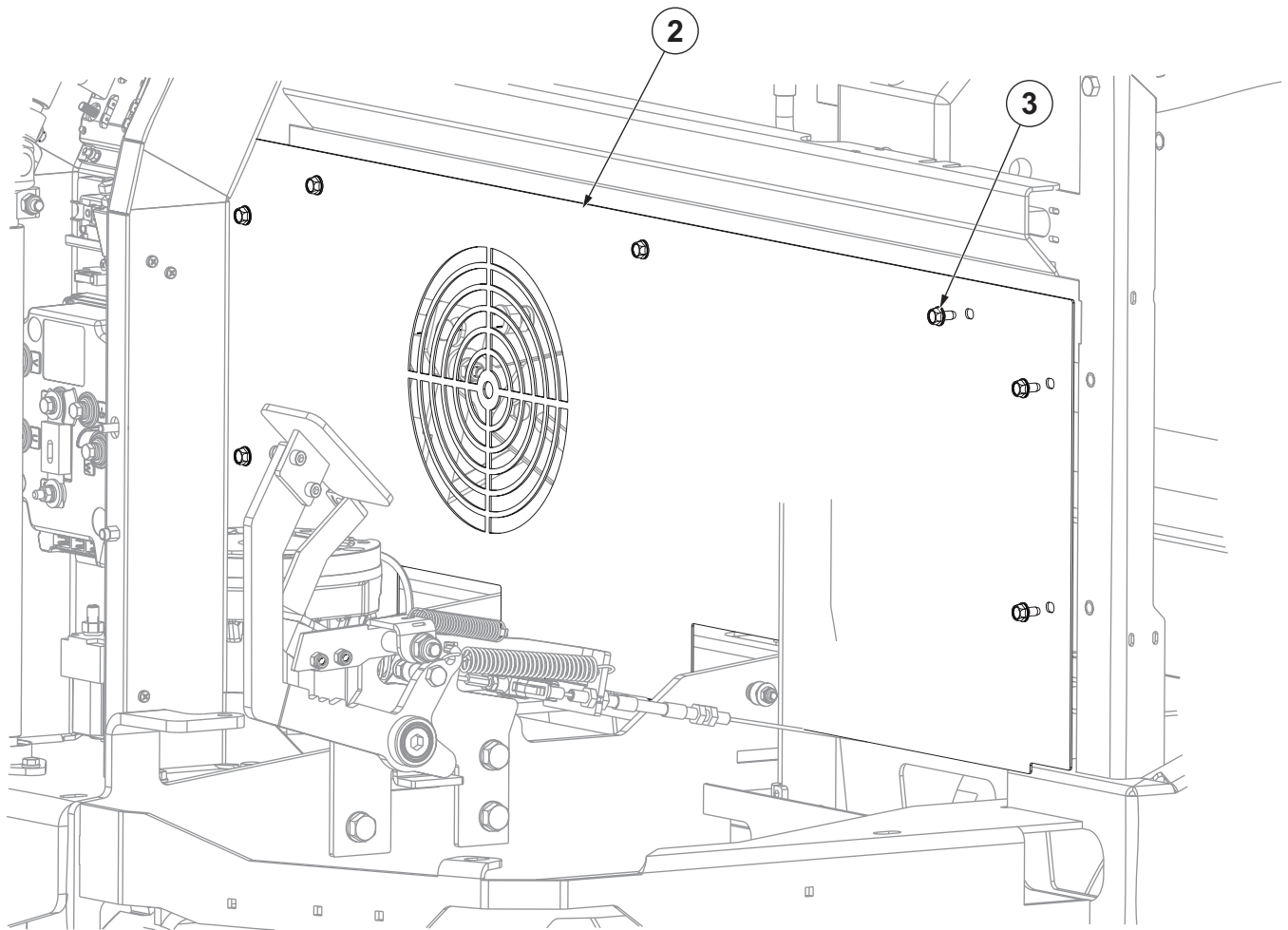
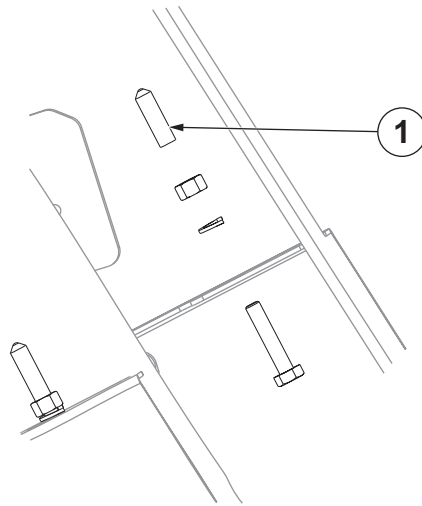
SUPPORT SEAT ASSY



**SUPPORT SEAT ASSY**

KIT	ITEM	REF. NO.	QTY	DESCRIPTION	NOTE
	1	1466837000	1	SUPPORT PLASTIC GREY F SEAT SIP	
	2	1467028000	1	SEAT SIP	
	3	1466937000	2	BRACKET MET. BLACK F SEAT BLOCK SIP	
	4	1466839000	1	COVER PLASTIC F SAFETY SWITCH KIT	
	5	9098329000	1	HINGES KIT	
	6	1465042000	1	SUPPORT F SAFETY BAR KIT	
	<b>7*</b>	<b>1464954000</b>	<b>1</b>	<b>BELTS SAFETY KIT</b>	(1465247000) INSTALLATION INSTRUCTIONS
	<b>8*</b>	<b>1464960000</b>	<b>1</b>	<b>ARMREST LT SEAT KIT</b>	(1465249000) INSTALLATION INSTRUCTIONS
	<b>9*</b>	<b>33019556</b>	<b>1</b>	<b>ARMREST RT SEAT KIT</b>	(33019556) INSTALLATION INSTRUCTIONS

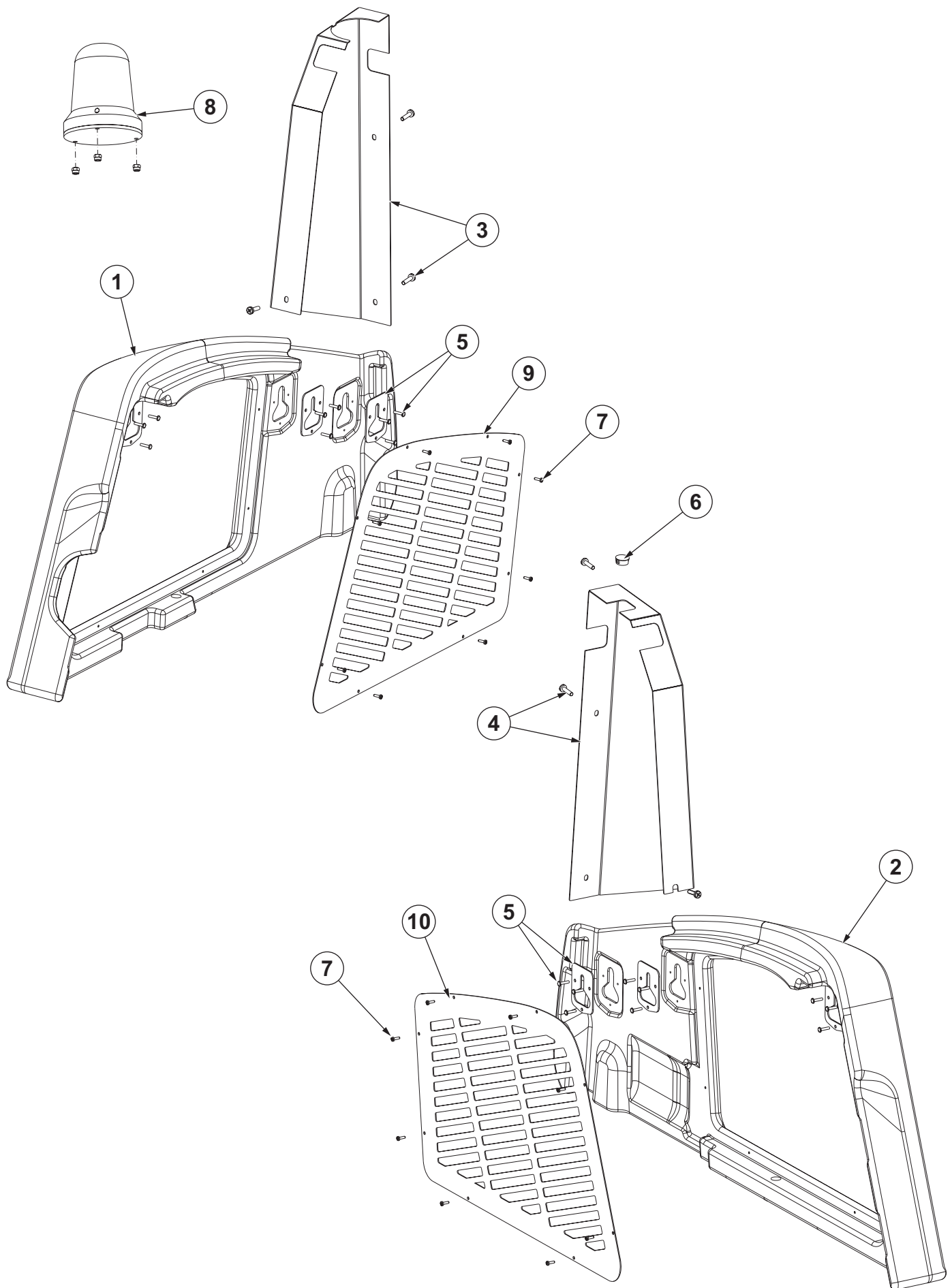
PLATE ASSY



**PLATE ASSY**

KIT	ITEM	REF. NO.	QTY	DESCRIPTION	NOTE
	1	1467013000	2	CAP VINYL 3 PCS SET	
	2	1466864000	1	PANEL METAL FRONT F CHASSIS BLACK KIT	
	3#	1467022000	4	SCREW M6X12 HEX HD DIN7500 2 PCS SET	

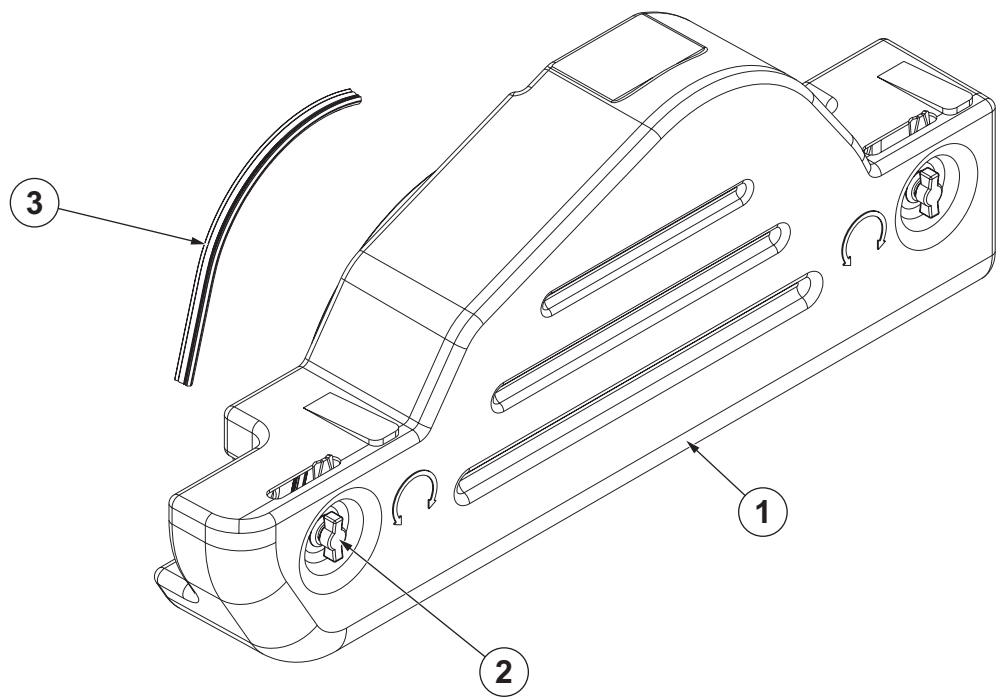
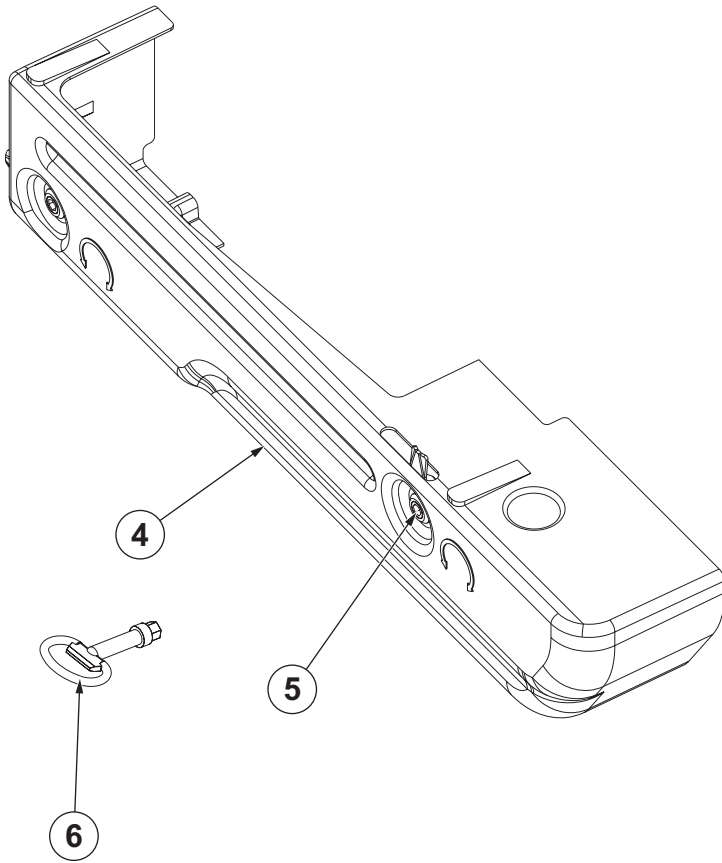
COVERS ASSY



**COVERS ASSY**

KIT	ITEM	REF. NO.	QTY	DESCRIPTION	NOTE
	1	1466844000	1	COVER RT PLASTIC GREY KIT	
	2	1466843000	1	COVER LT PLASTIC GREY KIT	
	3	1466841000	1	COVER METALLIC BLACK RT SHOULDER KIT	
	4	1466840000	1	COVER METALLIC BLACK LT SHOULDER KIT	
	5	1466842000	6	PLATE F SIDE PANEL FIXING KIT	
	6	1467027000	1	CAP D.22.6 SIP	
	7	1467008000	2	SCREW 3.5X12 PAN PHIL W/O BIT 10 PCS SET	
	8	1464948000	1	BEACON KIT	
	9	1466794000	1	GRID SIDE MET. BLACK KIT	BATTERY
	9	1466799000	1	GRID RT SIDE MET. BLACK LPG VERSION KIT	LPG MODEL
	10	1466794000	1	GRID SIDE MET. BLACK KIT	BATTERY, LPG MODEL

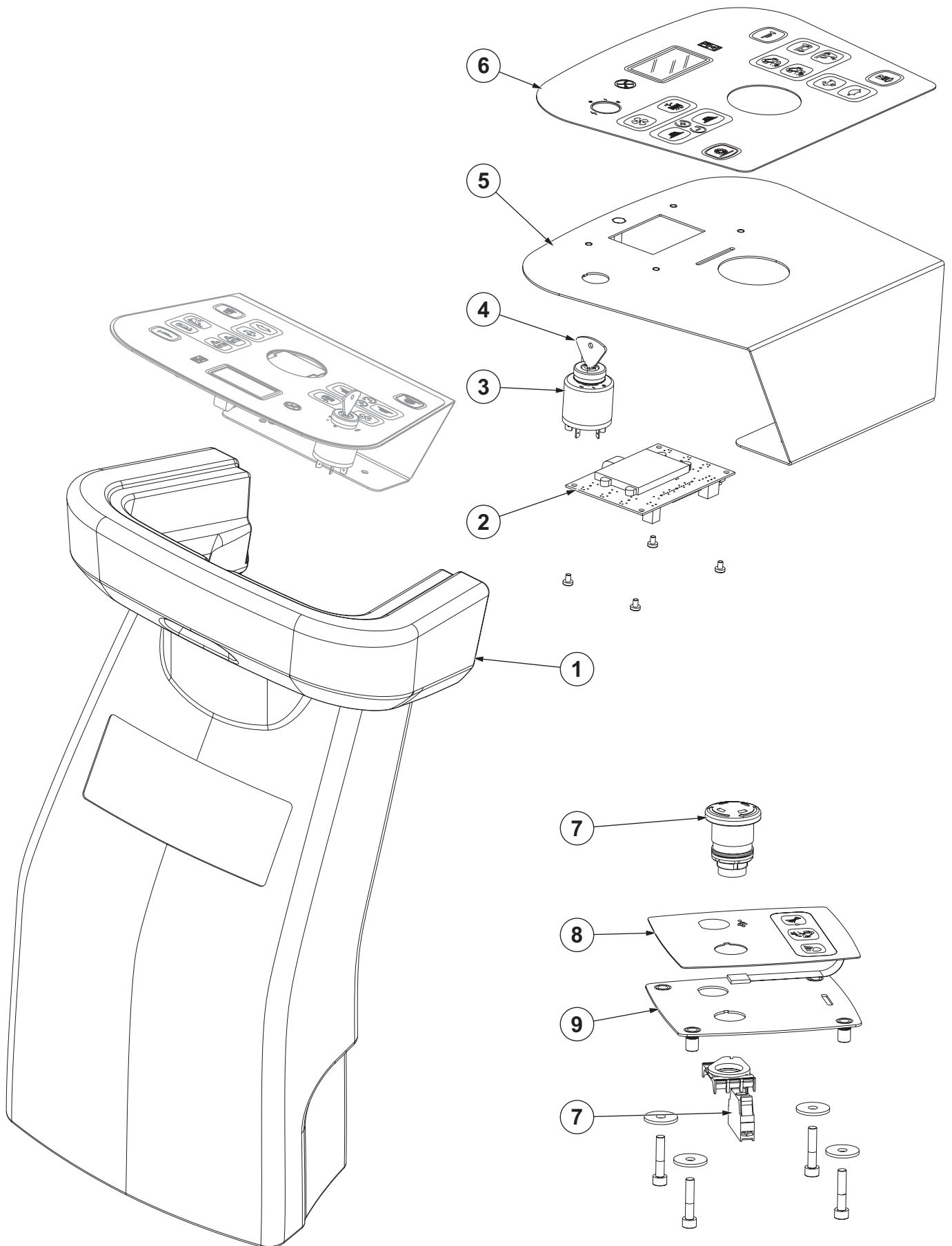
HATCHES ASSY



**HATCHES ASSY**

KIT	ITEM	REF. NO.	QTY	DESCRIPTION	NOTE
	1	1466849000	1	HATCH LOWER BLACK LT SIDE KIT	
	2	1467041000	2	LOCK SIP	
	3	1466850000	1	GASKET DOUBLE BULB RUBBER L. 415 SIP	
	4	1466851000	1	HATCH LOWER BLACK RT SIDE KIT	
	5	1467109000	1	LOCK WITH KEY FOR HATCH SIP	
	6	1467057000	1	KEY HEX 10MM MALE SIP	

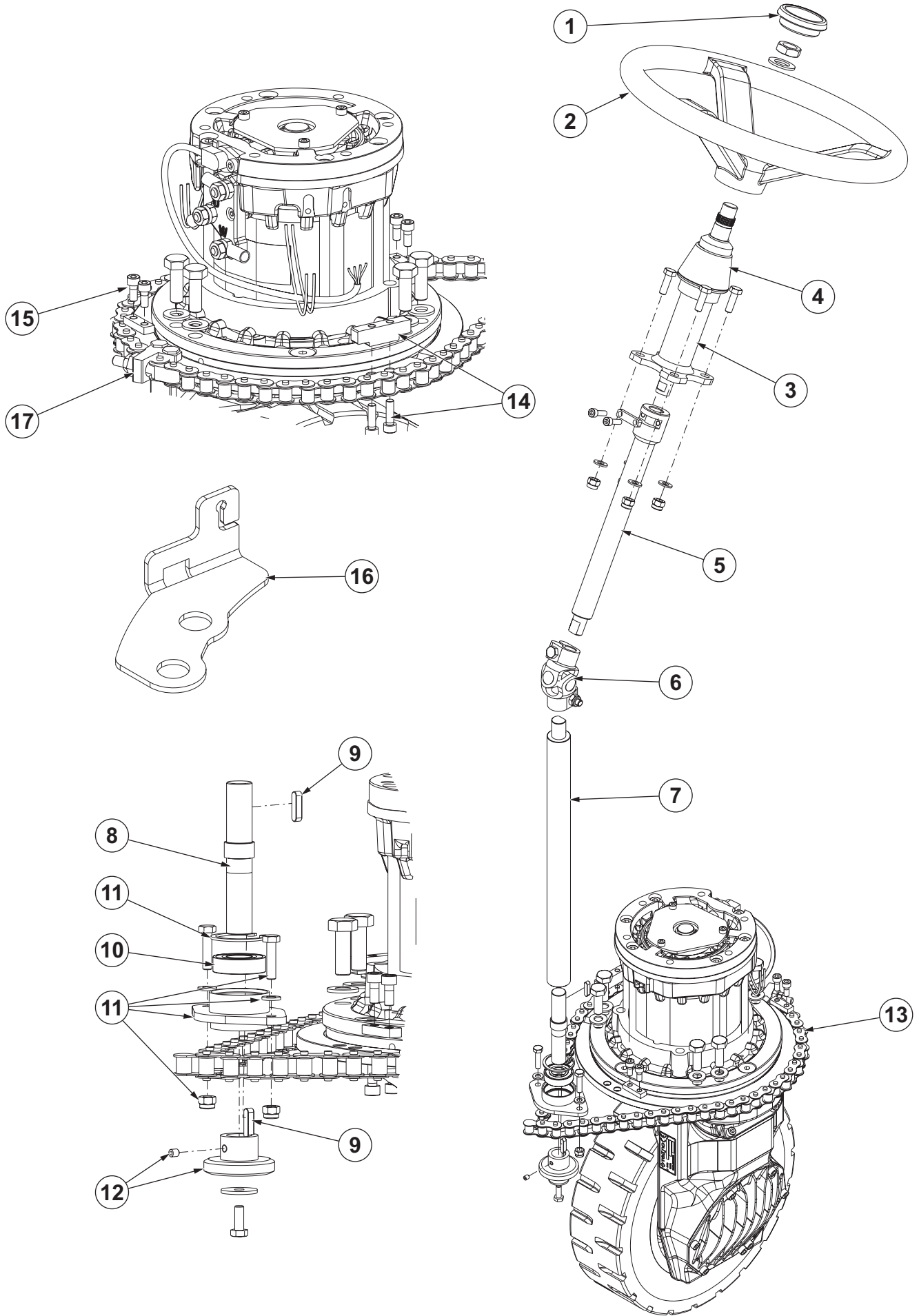
### COLUMN DASHBOARD ASSY



**COLUMN DASHBOARD ASSY**

KIT	ITEM	REF. NO.	QTY	DESCRIPTION	NOTE
	1	1466677000	1	COLUMN PLASTIC GREY SIP	
	2	1466681000	1	CONTROLLER DISPLAY SIP	
	3	33020442	1	KEY STARTER SWITCH W/SPARE KEY KIT	
	4	1467014000	1	KEY F STARTER SWITCH 2 PCS SET	
	5	1466682000	1	PLATE MET. BLACK F MAIN DASHBOARD SIP	
	6#	1467765000	1	DASHBOARD CONTROL PANEL BLACK SIP	
	7	1466683000	1	SWITCH EMERGENCY KIT	
	8#	1467766000	1	DASHBOARD SIDE CONTR PANEL BLACK SIP	
	9	1466685000	1	PLATE MET. BLACK F SIDE DASHBOARD SIP	

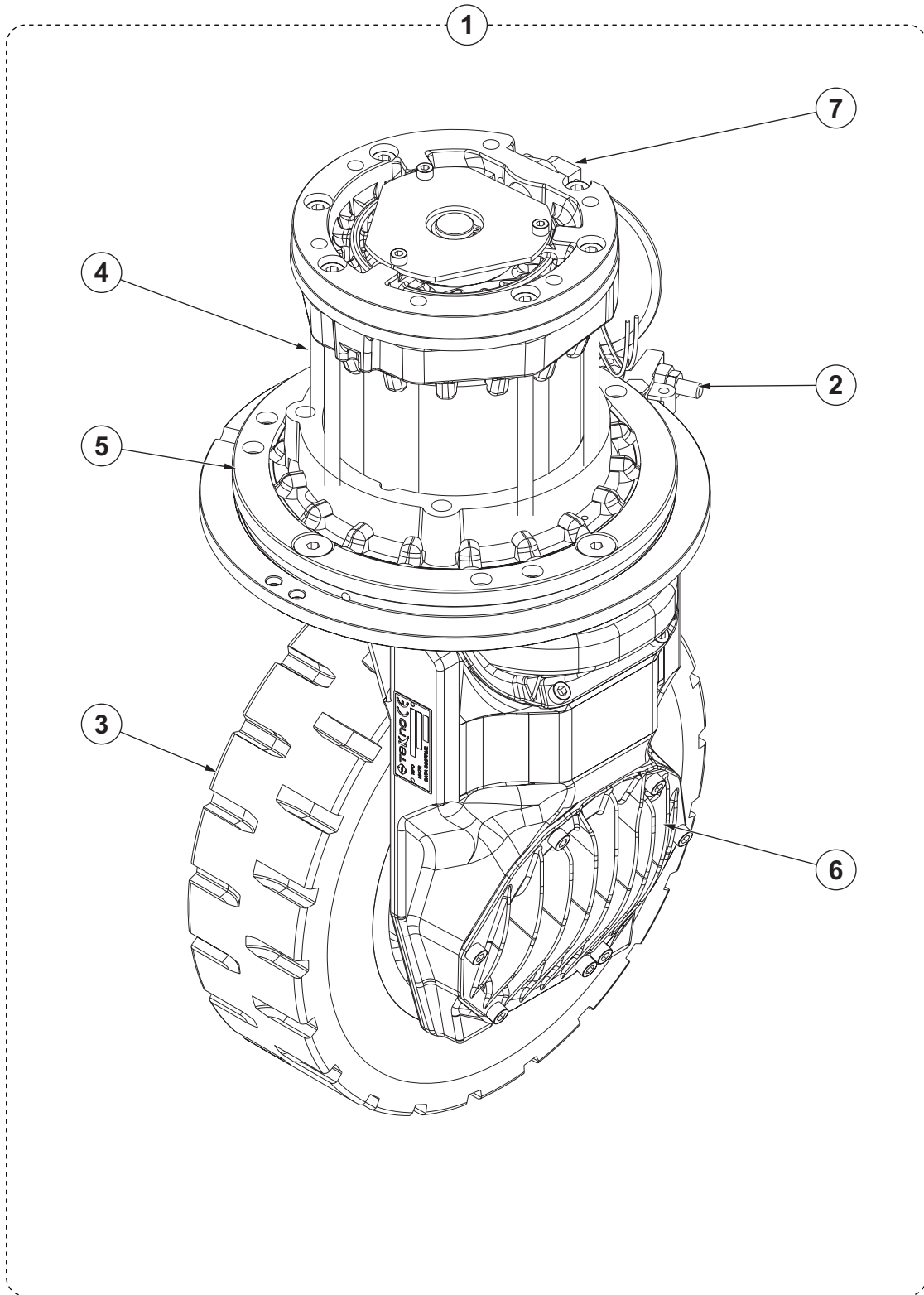
# STEERING MOTORWHEEL ASSY



**STEERING MOTORWHEEL ASSY**

KIT	ITEM	REF. NO.	QTY	DESCRIPTION	NOTE
	1	1467031000	1	CAP SIP	
	2	1467048000	1	WHEEL STEERING D.362 SIP	
	3	1466525000	1	COLUMN STEERING SIP	
	4	1467055000	1	COVER FOR STEERING COLUMN SIP	
	5	1466593000	1	SHAFT GALV. UPPER F STEERING KIT	
	6	1466319000	1	JOINT UNIVERSAL D.17 SIP	
	7	1466594000	1	SHAFT GALV. VERTICAL F STEERING SIP	
	8	1466595000	1	SHAFT GALV. F STEERING SIP	
	9	1466147000	2	KEY 5X5X20 UNI6604A SIP	
	10	1467030000	1	BEARING BALL 6003 2RS SIP	
	11	1466601000	1	HOUSING PHOS. F STEERING BEARING KIT	
	12	1466599000	1	PINION Z8 5/8X3/8 MET. KIT	
	13	1466600000	1	CHAIN ISO 10B-1 57 PITCHES 2 LINKS SIP	
	14	1466597000	1	STOP F STEERING ON MOTORWHEEL KIT	
	15	1466596000	1	STOP F STEERING GALV. ON CHASSIS KIT	
	16#	1467574000	1	BRACKET F ACCELERATOR PEDAL SPRING SIP	
	17#	1465990000	1	STRETCHER F CHAIN	

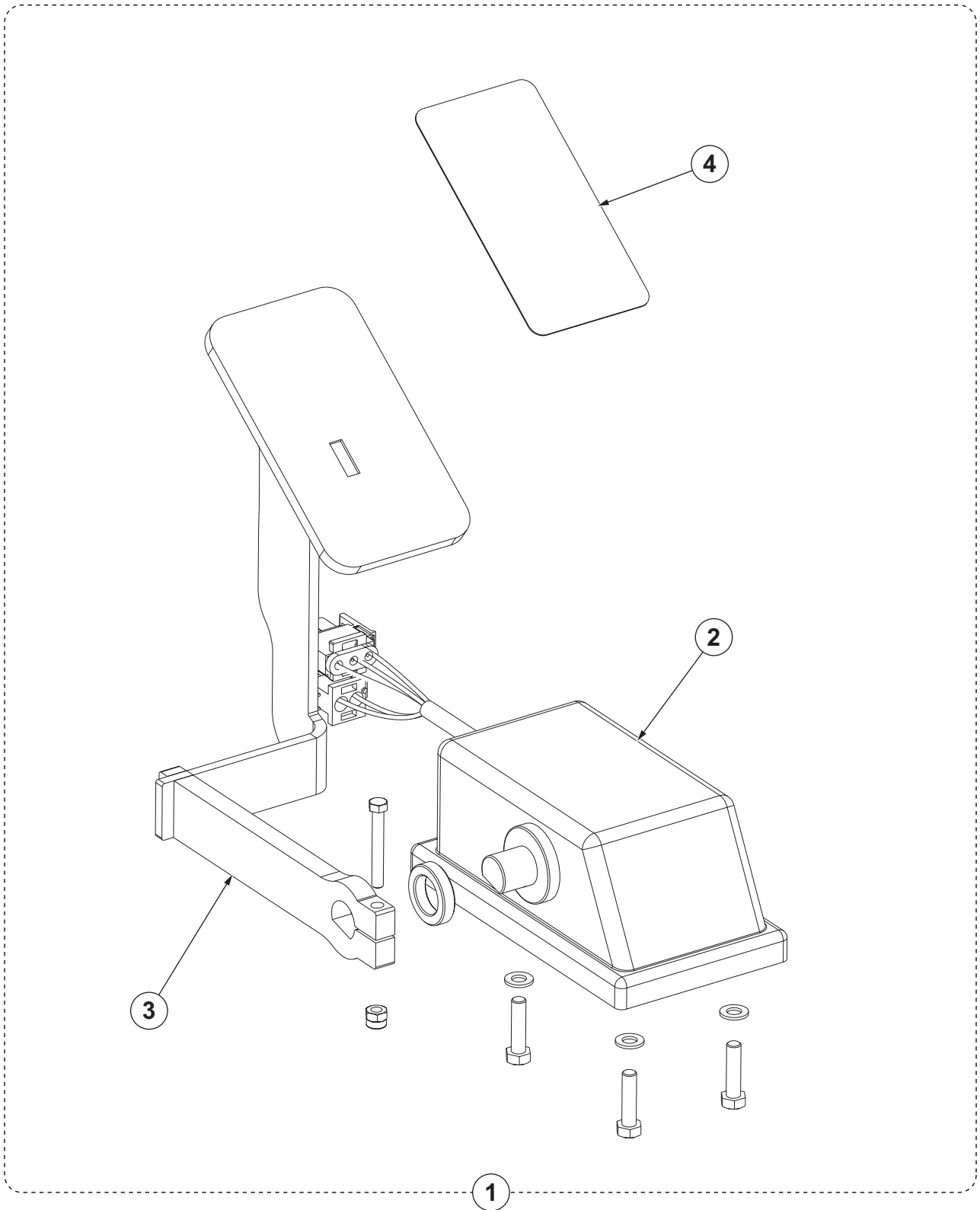
MOTORWHEEL ASSY



**MOTORWHEEL ASSY**

KIT	ITEM	REF. NO.	QTY	DESCRIPTION	NOTE
	1	1467191000	1	MOTORWHEEL TV-130 24V AC 1.2KW SIP	
	2	1465990000	1	STRETCHER F CHAIN	
	3	1466255000	1	WHEEL NON MARKING D300X85	
	4	1466461000	1	MOTOR AC 24v 1.2kw	
	5	1466468000	1	PLATE STEERING F MOTORWHEEL TV-130MF	
	6	1466474000	1	GEAR BOX F MOTORWHEEL TV-130 1/28.4	
	7	1467192000	1	SENSOR SPEED KIT	

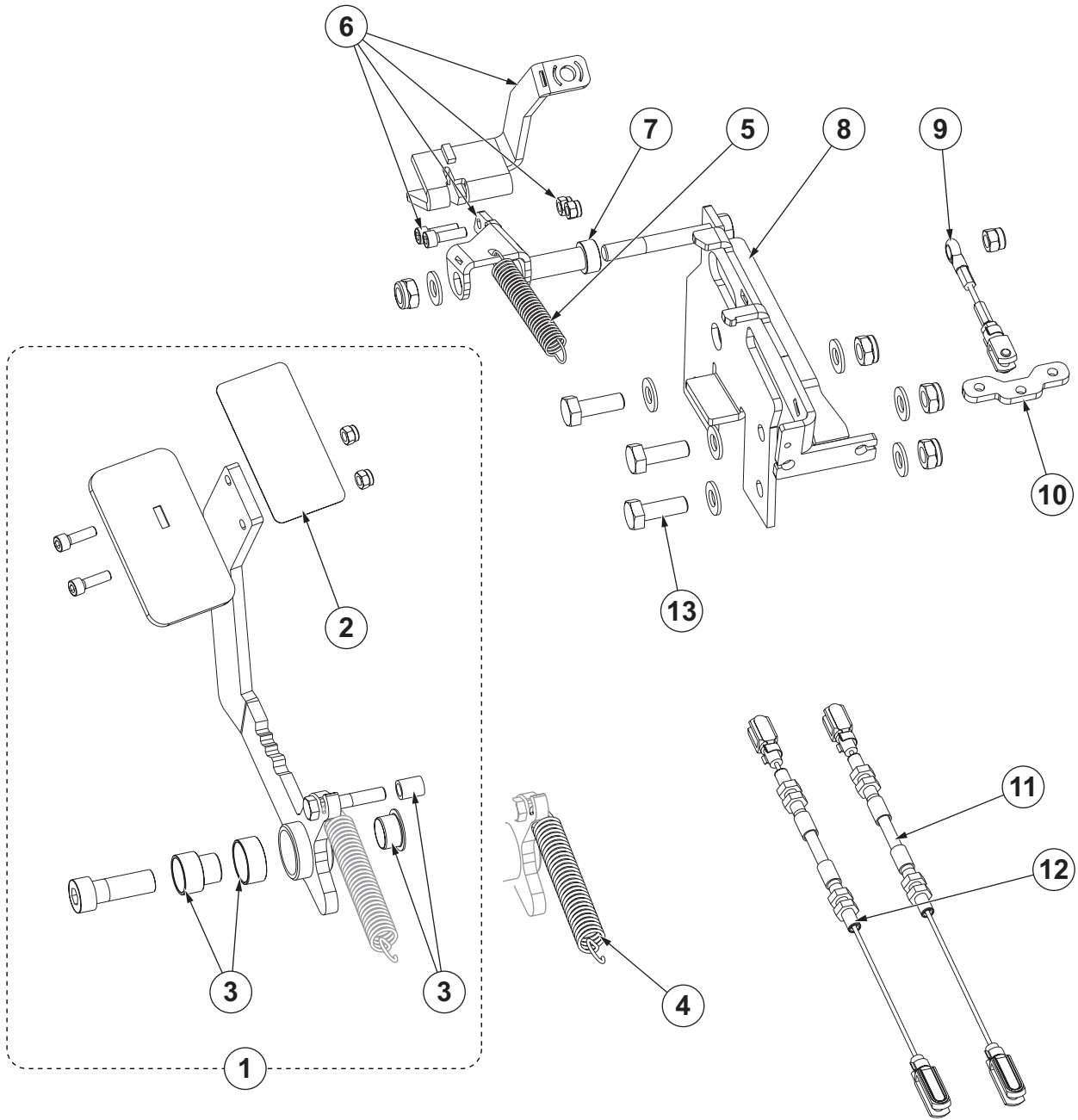
ACCELERATOR PEDAL ASSY



**ACCELERATOR PEDAL ASSY**

KIT	ITEM	REF. NO.	QTY	DESCRIPTION	NOTE
	1	1466589000	1	PEDAL ELECTRONIC ACCELERATOR KIT	
	2	1466592000	1	ACCELERATOR ELECTRONIC SIP	
	3	1466590000	1	PEDAL F ACCELERATOR KIT	
	4	1466591000	1	ANTI-SLIP SURFACING BLACK 50X95MM KIT	

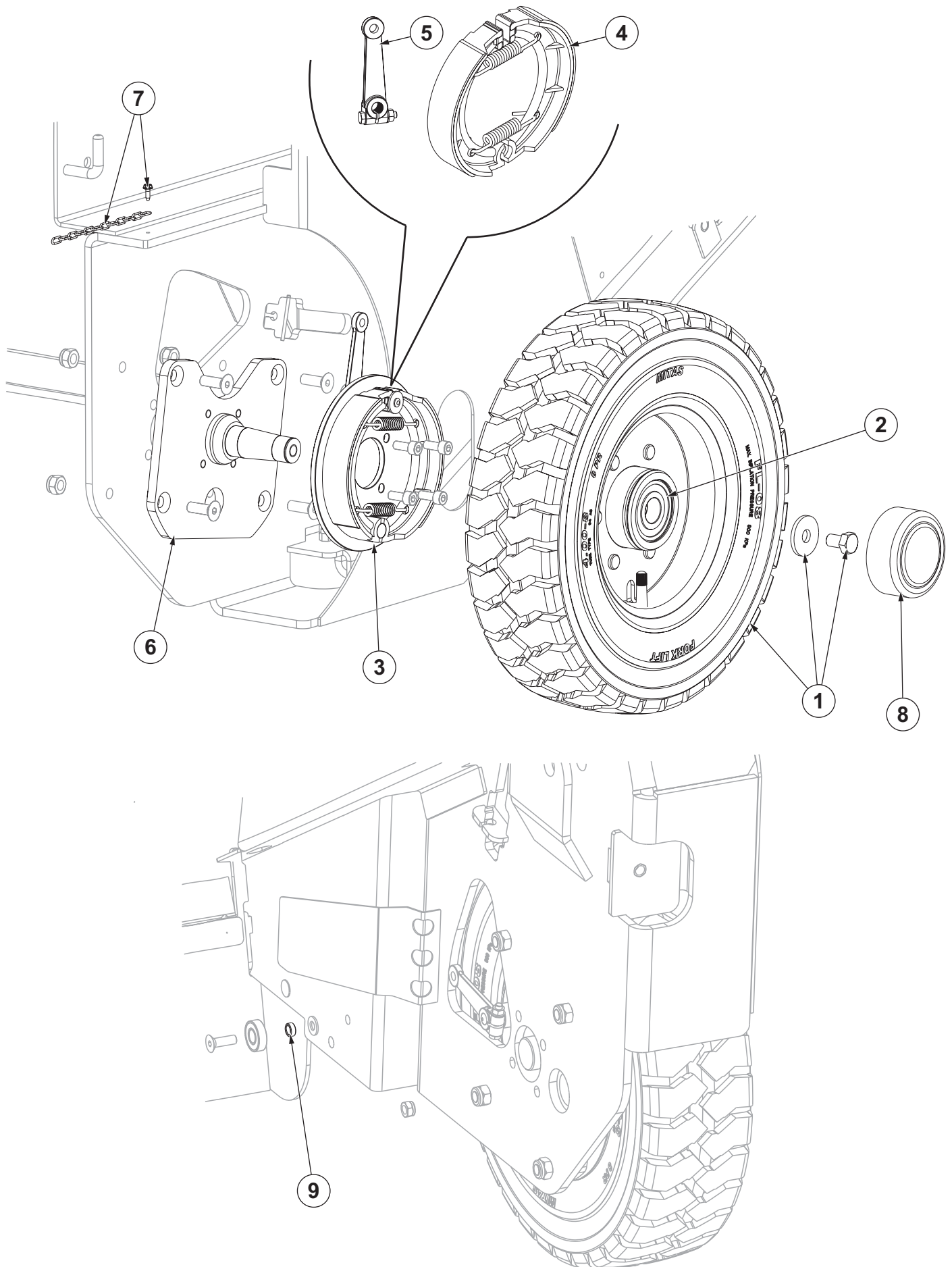
BRAKE PEDAL ASSY



**BRAKE PEDAL ASSY**

KIT	ITEM	REF. NO.	QTY	DESCRIPTION	NOTE
	1#	1467599000	1	PEDAL F BRAKE KIT	
	2	1466591000	1	ANTI-SLIP SURFACING BLACK 50X95MM KIT	
	3	1466654000	1	BUSHING F BRAKE PEDAL KIT	
	4	1467046000	1	SPRING BRAKE SIP	
	5	1467039000	1	SPRING TRACTION CARBON STEEL SIP	
	6	1466660000	1	PEDAL PARKING BRAKE KIT	
	7	1466877000	1	SPACER 54X14X10.2 GALV. SIP	
	8	1466659000	1	PLATE BLACK F BRAKE PEDAL SUPP. SIP	
	9#	1467598000	1	TIE ROD PRIMARY BRAKE SIP	
	10	1466657000	1	PLATE GALV. F BRAKES BALANCING SIP	
	11	1466655000	1	WIRE F RT BRAKE SIP	
	12	1466656000	1	WIRE F LT BRAKE SIP	
	13	1466661000	1	HARDWARE F BRAKE PEDAL KIT	

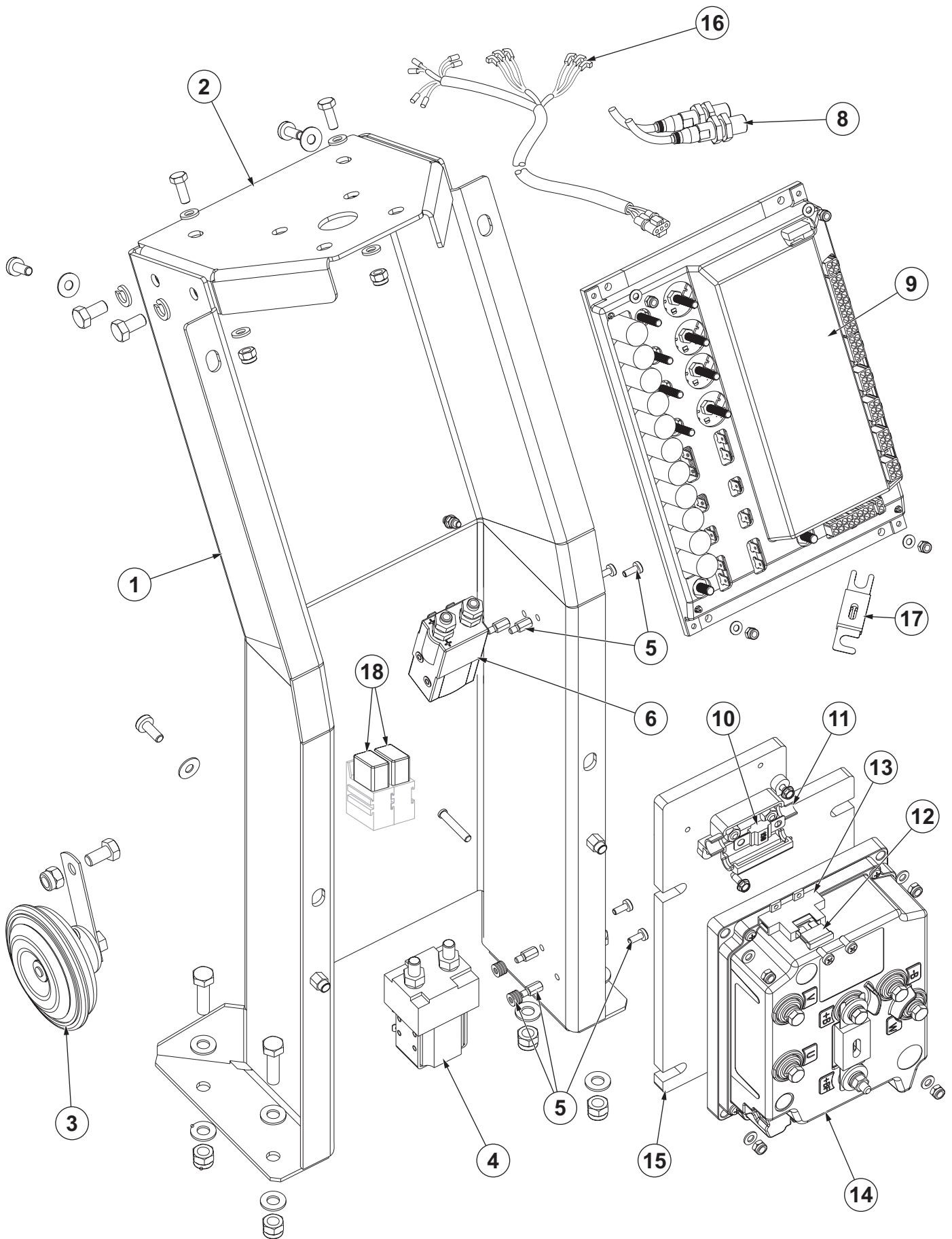
REAR WHEELS ASSY



**REAR WHEELS ASSY**

KIT	ITEM	REF. NO.	QTY	DESCRIPTION	NOTE
	1	1466587000	2	WHEEL FOAMED 4.00-8 WITH DRUM KIT	
	<b>1*</b>	<b>1466588000</b>	<b>2</b>	<b>WHEEL SOLID 4.00-8 NON MARK DRUM KIT</b>	
	<b>1*</b>	<b>1466860000</b>	<b>2</b>	<b>WHEEL SOLID 4.00-8 DRUM KIT</b>	
	2	33023318	2	BEARING AND SPACER F 5.00-8 WHEEL KIT	
	3	33020205	2	DRUM BRAKE KIT	
	4	1467066000	2	SHOE BRAKE SIP	
	5	1467244000	2	LEVER F DRUM BRAKE SIP	
	6	1467060000	2	SUPPORT FRONT WHEEL SIP	
	7	1466586000	1	CHAIN GROUND L. 160MM KIT	
	8	1467021000	1	CAP 2 PCS SET	
	9#	1467026000	1	SPACER D.8X12 H.5 ZNT SIP	

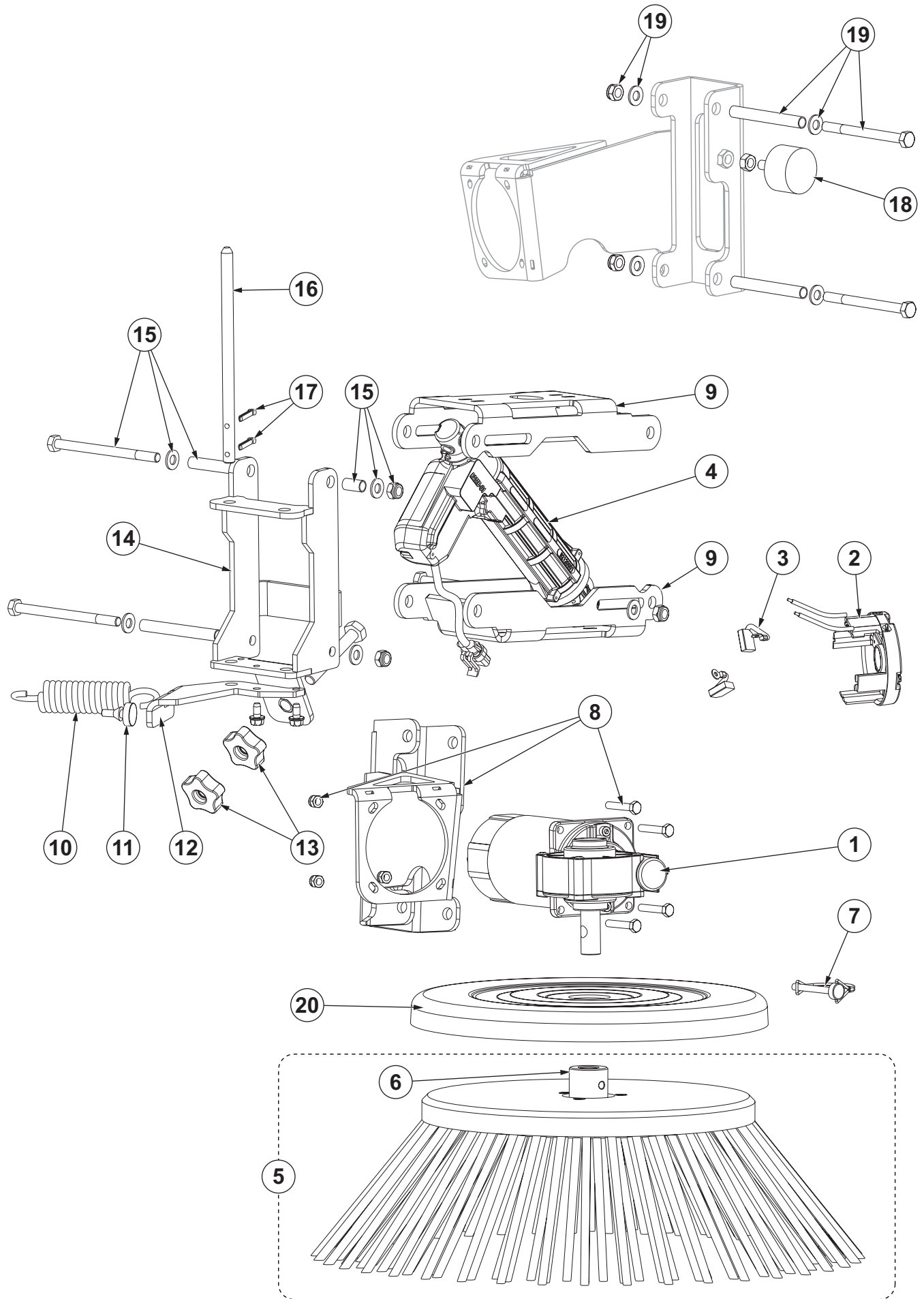
### ELECTRICAL COMPONENTS ASSY



**ELECTRICAL COMPONENTS ASSY**

KIT	ITEM	REF. NO.	QTY	DESCRIPTION	NOTE
	1	1466648000	1	COLUMN METALLIC BLACK F STEERING SIP	
	2	1466651000	1	PLATE UPPER STEERING COLUMN MET. SIP	
	3	1467032000	1	HORN 24V SIP	
	4	1466644000	1	CONTACTOR 24V 200A SIP	
	5	1466643000	2	HARDWARE F HIGH CONTACTOR FIXING KIT	
	6	1466645000	1	CONTACTOR 24V 100A SIP	
	8	1467062000	2	SWITCH BACK UP PROXIMITY SIP	
	9	9100001879	1	CONTROLLER MAIN MACHINE SIP	SEE TSB-FC-2017-064
	10	1466652000	1	FUSE BOLT DOWN 150A SIP	
	11	1465073000	1	HOLDER FUSE KIT	
	12	1467034000	1	FUSE BLADE 10A SIP	
	13	1467035000	1	HOLDER FUSE THERMOPL. UL 94-V0 SIP	
	14	1466649000	1	CONTROLLER DRIVE 24V 240A A.C. SIP	
	15	1466650000	1	PLATE TRAC. BOARD HEAT SINK ALLUM. SIP	
	16	1467551000	1	HARNESS STEERING COLUMN SIP	
	17	1467241000	1	FUSE BOLT-DOWN 160A SIP	
	18#	146 1646 000	2	RELAY 24V	

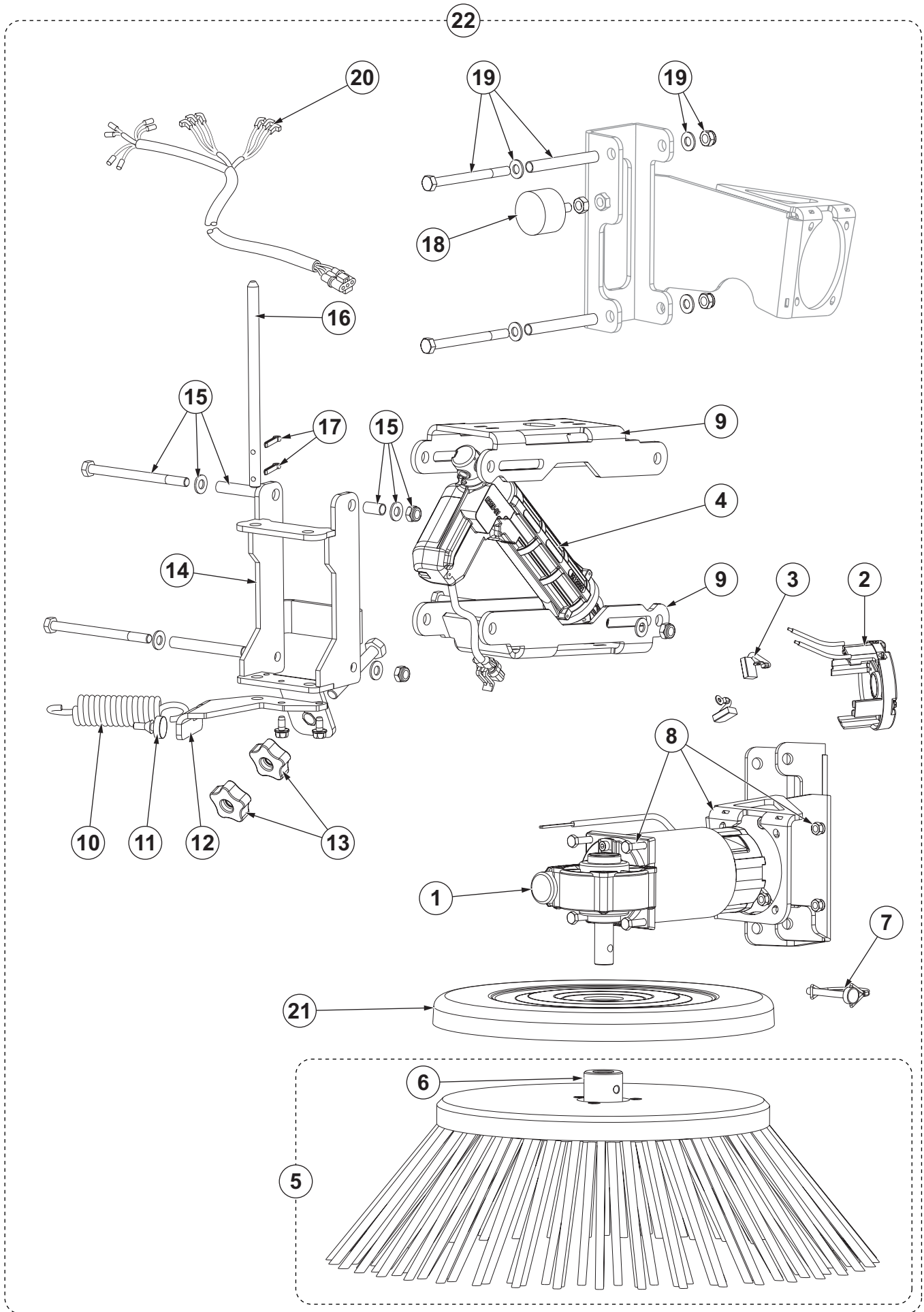
RIGHT BROOM ASSY



## RIGHT BROOM ASSY

KIT	ITEM	REF. NO.	QTY	DESCRIPTION	NOTE
	1	1466668000	1	MOTOR GEARBOX 24VDC 120W RT B SIP	
	2	1467215000	1	CAP F MOTOR BRUSHES SIP	
	3	1467083000	1	CARBON BRUSH 2 PCS SET	
	4	1466663000	1	ACTUATOR LINEAR 24V DC STRK 45MM SIP	
	5	1466670000	1	BROOM SIDE 302X500 PPL 1.5 BLACK	
	<b>5*</b>	<b>1466936000</b>	<b>1</b>	<b>BROOM SIDE 302X500 MIX STEEL</b>	
	<b>5*</b>	<b>1467076000</b>	<b>1</b>	<b>BROOM SIDE 302X500 MIX 5</b>	
	6	1466859000	1	HUB F SIDE BROOM SIP	
	7	1467070000	1	PIN D.10 LOCKING BRUSH SIP	
	8	1466667000	1	BRACKET BLACK F RT GEARBOX SUPP KIT	
	9	1466662000	2	ARM MET. BLACK F SIDE BROOM SUPP. SIP	
	10	1467071000	1	SPRING SIP	
	11	1467006000	1	PLUG ANTI VIBRATION D.8-D.20 10 PCS SET	
	12	1466665000	1	PLATE SIDE BROOM STOP SIP	
	13	1467036000	2	KNOB LOBES M10 FEMALE SIP	
	14	1466671000	1	SUPPORT MET. BLACK F SIDE BROOM SIP	
	15	1466675000	1	HARDWARE F SIDE BROOM SUPPORT KIT	
	16	1466676000	1	PIN GALV. F SIDE BROOM SIP	
	17	1467005000	1	PIN SPLIT 4X25 UNI1336 10 PCS SET	
	18	1467047000	1	BUMPER M8 40x25MM SIP	
	19	1466673000	1	HARDWARE F RT GEARBOX BRAKET SUPP. KIT	
	20	1466669000	1	COVER PLASTIC SIDE BROOM PROTECT. SIP	

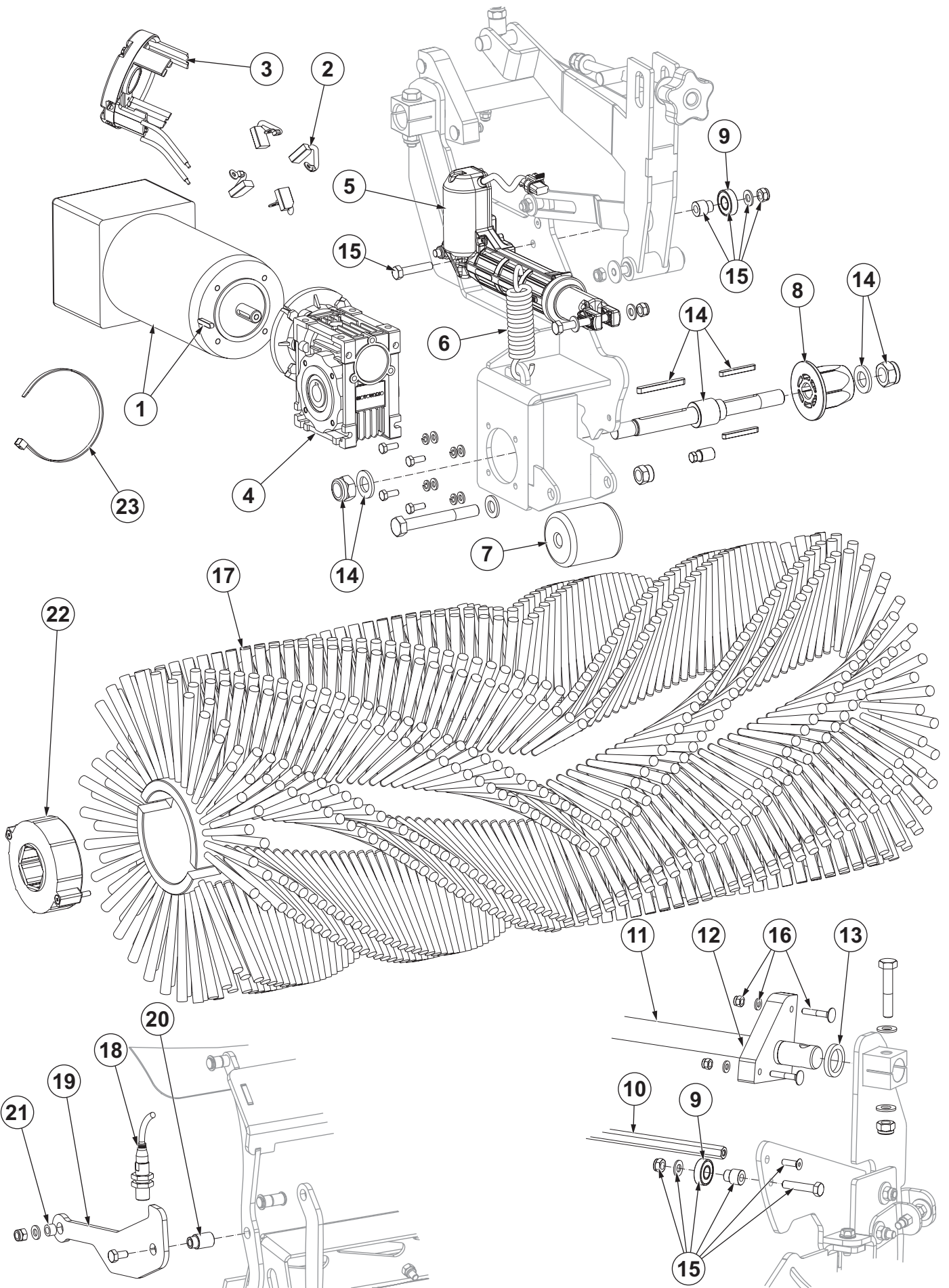
LEFT BROOM ASSY



**LEFT BROOM ASSY**

KIT	ITEM	REF. NO.	QTY	DESCRIPTION	NOTE
	1	1466674000	1	MOTOR GEARBOX 24VDC 120W LT B SIP	
	2	1467215000	1	CAP F MOTOR BRUSHES SIP	
	3	1467083000	1	CARBON BRUSH 2 PCS SET	
	4	1466663000	1	ACTUATOR LINEAR 24V DC STRK 45MM SIP	
	5	1466670000	1	BROOM SIDE 302X500 PPL 1.5 BLACK	
	<b>5*</b>	<b>1466936000</b>	<b>1</b>	<b>BROOM SIDE 302X500 MIX STEEL</b>	
	<b>5*</b>	<b>1467076000</b>	<b>1</b>	<b>BROOM SIDE 302X500 MIX 5</b>	
	6	1466859000	1	HUB F SIDE BROOM SIP	
	7	1467070000	1	PIN D.10 LOCKING BRUSH SIP	
	8	1466666000	1	BRACKET MET. F LT GEARBOX SUPP. KIT	
	9	1466662000	2	ARM MET. BLACK F SIDE BROOM SUPP. SIP	
	10	1467071000	1	SPRING SIP	
	11	1467006000	1	PLUG ANTI VIBRATION D.8-D.20 10 PCS SET	
	12	1466665000	1	PLATE SIDE BROOM STOP SIP	
	13	1467036000	2	KNOB LOBES M10 FEMALE SIP	
	14	1466671000	1	SUPPORT MET. BLACK F SIDE BROOM SIP	
	15	1466675000	1	HARDWARE F SIDE BROOM SUPPORT KIT	
	16	1466676000	1	PIN GALV. F SIDE BROOM SIP	
	17	1467005000	1	PIN SPLIT 4X25 UNI1336 10 PCS SET	
	18	1467047000	1	BUMPER M8 40x25MM SIP	
	19	1466672000	1	HARDWARE F LT GEARBOX BRACKET SUPP. KIT	
	20	1467555000	1	HARNESS F LT SIDE BROOM SIP	
	21	1466669000	1	COVER PLASTIC SIDE BROOM PROTECT. SIP	
	<b>22*</b>	<b>1466888000</b>	<b>1</b>	<b>BROOM LEFT SIDE PPL 1.5 KIT</b>	(1466898000) INSTALLATION INSTRUCTIONS

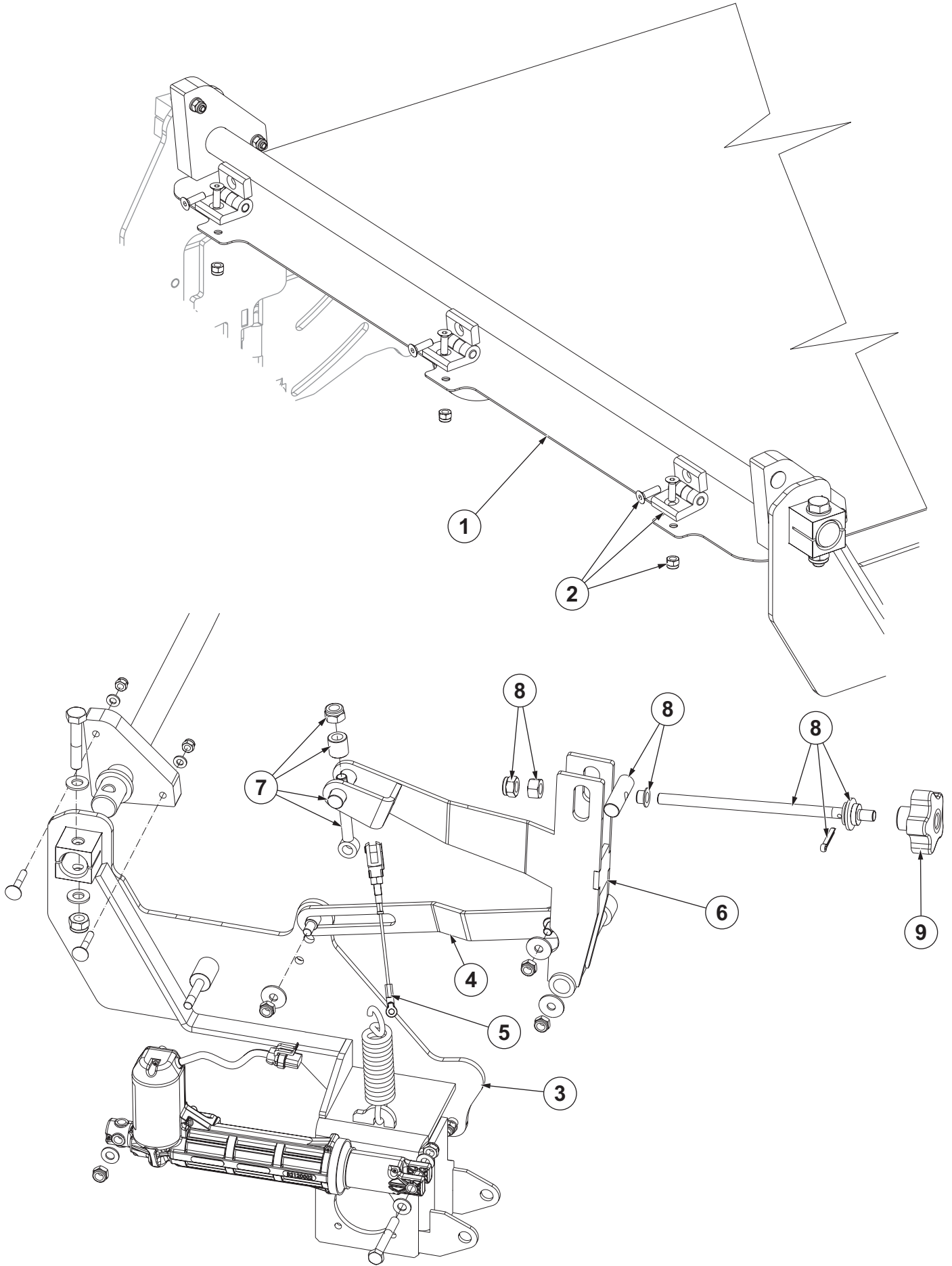
# MAIN BROOM ASSY



**MAIN BROOM ASSY**

KIT	ITEM	REF. NO.	QTY	DESCRIPTION	NOTE
	1	1466946000	1	MOTOR 24V 1250W 3800 RPM IP44 MP80L KIT	BATTERY MODEL
	1	1466687000	1	MOTOR 24V 1000W 3800 RPM IP44 MP80L KIT	LPG MODEL
	2	L08603949	1	CARBON BRUSHES SET 4 PCS	
	3	1467214000	1	CAP F MP80L MOTOR BRUSHES SIP	
	4	1466691000	1	GEAR BOX 7.5/1 71 B14 SIP	
	5	1466663000	1	ACTUATOR LINEAR 24V DC STRK 45MM SIP	
	6	1467071000	1	SPRING SIP	
	7	1467069000	1	ROLLER SIDE BLADE SIP	
	8	1467056000	1	HUB MAIN BROOM SIP	
	9	44905699	2	BEARING BALL 6001 2RS SIP	
	10	1466689000	1	SHAFT HEX REINFORCE F MAIN BROOM SIP	
	11	1466693000	1	SHAFT GALV. MAIN BROOM SIP	
	12	1466694000	2	SUPPORT PLASTIC F MAIN BROOM SHAFT KIT	
	13	1466695000	2	SPACER PLASTIC F MAIN BROOM SHAFT KIT	
	14	1466690000	1	SHAFT F MAIN BROOM KIT	
	15	1466688000	1	SUPPORT F MOVABLE GUIDE KIT	
	16	1466692000	2	HARDWARE F MAIN BROOM SUPPORT KIT	
	17	1465717000	1	BROOM MAIN 360X850 8R PPL 0.8	
	<b>17*</b>	<b>1465730000</b>	<b>1</b>	<b>BROOM MAIN 360X850 8R MIX STEEL WHITE</b>	
	<b>17*</b>	<b>1465731000</b>	<b>1</b>	<b>BROOM MAIN 360X850 8R PPL 1 BLACK</b>	
	18	1467062000	1	SWITCH BACK UP PROXIMITY SIP	
	19	1466705000	1	PLATE LINKING GALV. F FRONT SKIRT SIP	
	20	1466865000	1	PIN D10/13 GALV. SIP	
	21	1467037000	1	SPACER 6.1X10X6.5 SIP	
	22#	1467525000	1	HUB CPL F MAIN BROOM KIT	FOR ALL MAIN BROOMS REF. 1465717000, 1465730000, 1465731000
	23#	1467025000	1	TIE CABLE 2.9x130 BLACK 10 PCS SET	

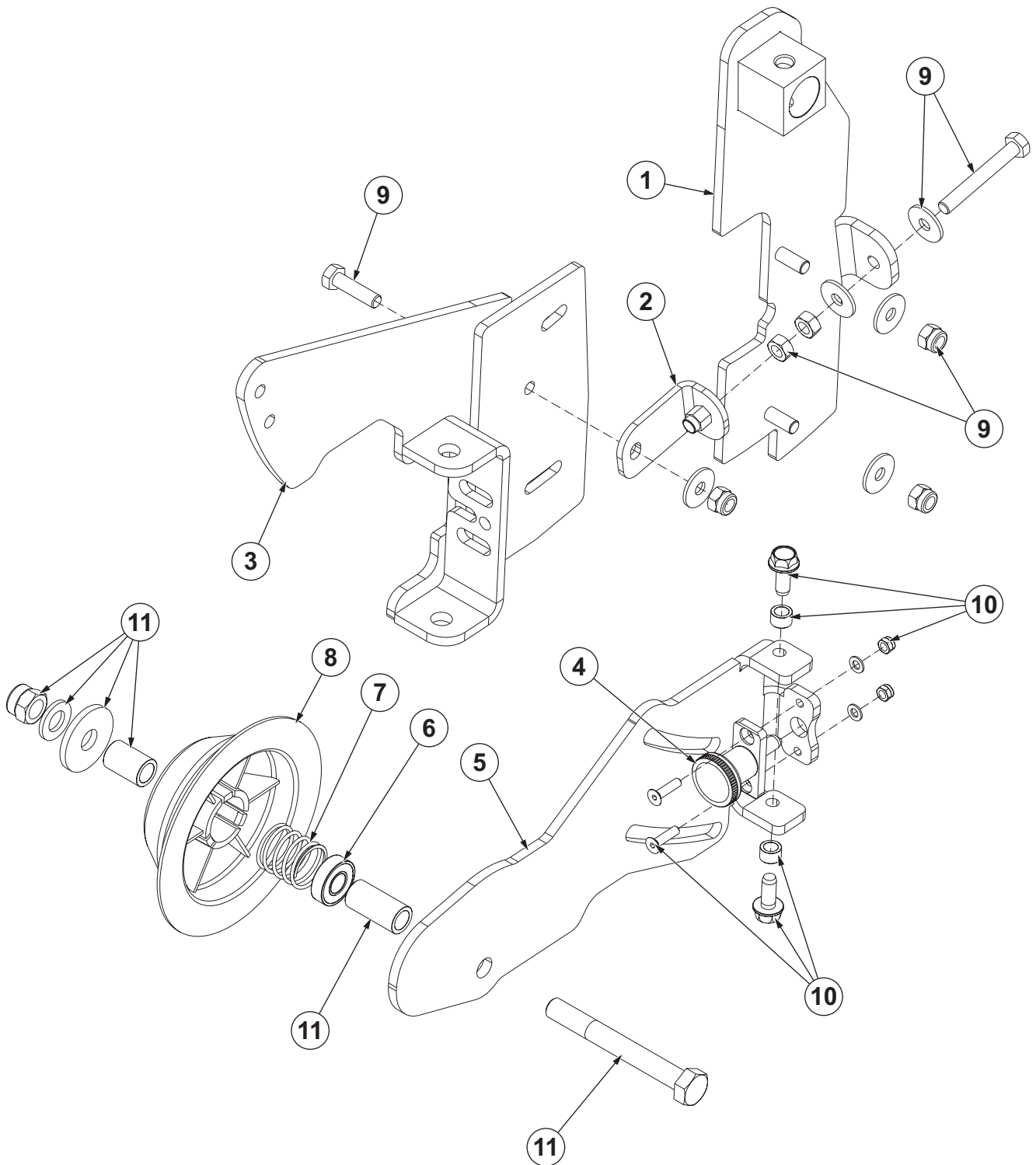
MAIN BROOM ADJUSTMENT



**MAIN BROOM ADJUSTMENT**

KIT	ITEM	REF. NO.	QTY	DESCRIPTION	NOTE
	1	1466699000	1	PLATE GALV. MOBILE WALL SIP	
	2	1466698000	3	HINGES F MOVABLE WALL KIT	
	3	1467527000	1	ARM RT GALV. F MAIN BROOM SUPPORT SIP	
	4	1466704000	1	LEVER GALV. F MAIN BROOM SUPPORT SIP	
	5	1466697000	1	TIE-ROD METALLIC F BROOM SPRING SIP	
	6	1466702000	1	LEVER GALV. F MAIN BROOM LIFTING SIP	
	7	1466696000	1	ADJUSTING F MAIN BROOM SPRING KIT	
	8	1466700000	1	SCREW F MAIN BROOM SETTING KIT	
	9	1466701000	1	KNOB LOBES M10 F W/ ORANGE CAP SIP	

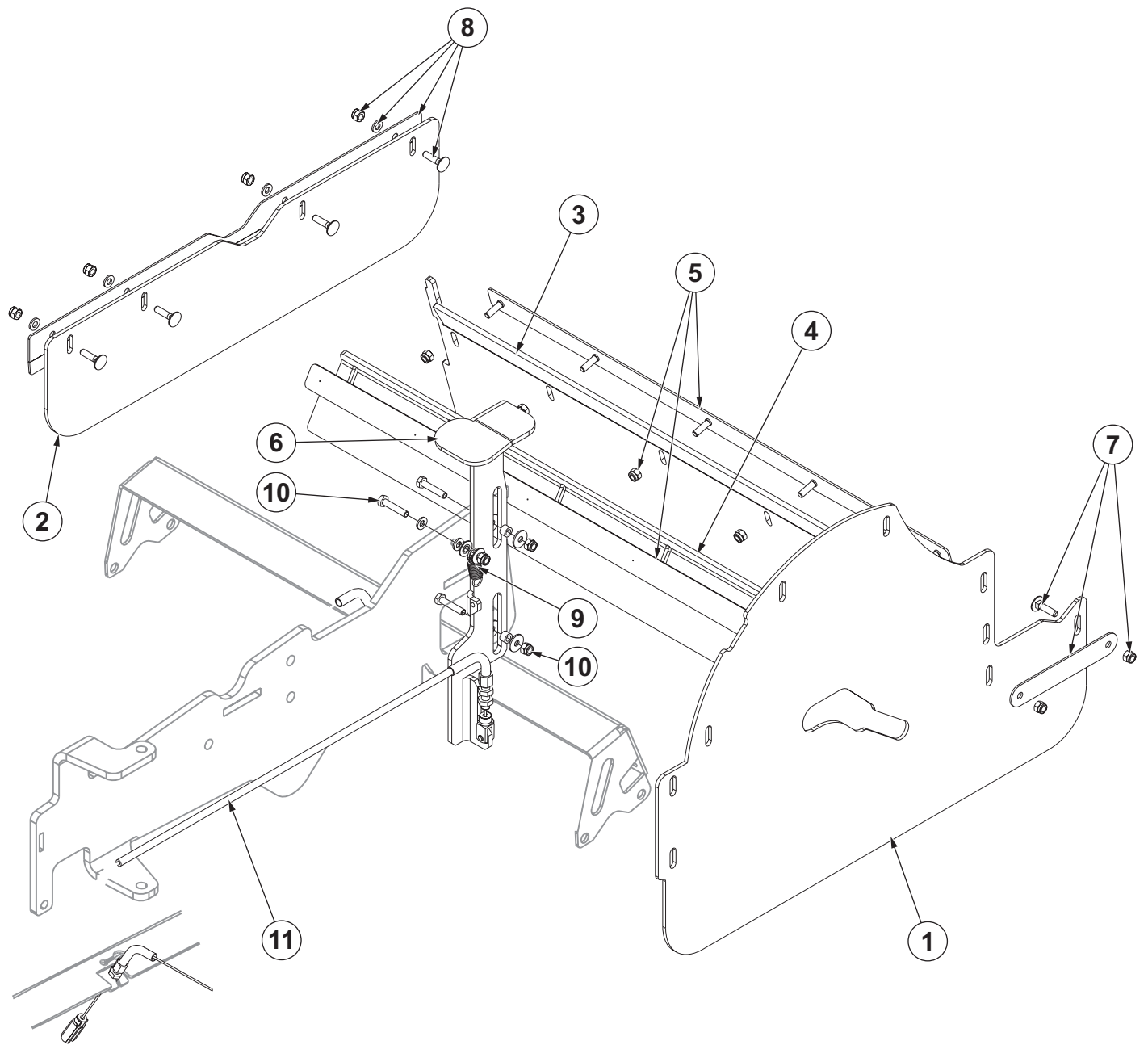
LEFT ARM MAIN BROOM ASSY



**LEFT ARM MAIN BROOM ASSY**

KIT	ITEM	REF. NO.	QTY	DESCRIPTION	NOTE
	1	1466625000	1	ARM LT GALV. F MAIN BROOM FIXED SIP	
	2	1466627000	1	PLATE GALV. F MAIN BROOM SETTING SIP	
	3	1466626000	1	ARM LT GALV. F MAIN BROOM MOBILE SIP	
	4	1466623000	1	PLUNGER INDEXING WITH FLANGE SIP	
	5	1466621000	1	BRACKET GALV. F MAIN BR. INSPECTION SIP	
	6	44905699	1	BEARING BALL 6001 2RS SIP	
	7	1467024000	1	SPRING SIP	
	8	1467023000	1	HUB LEFT MAIN BROOM SIP	
	9	1466624000	1	HARDWARE F MAIN BROOM LT ARM KIT	
	10	1466622000	1	HARDWARE F MAIN BR. INSPECT. BRACK. KIT	
	11	1466620000	1	HARDWARE F IDLE HUB KIT	

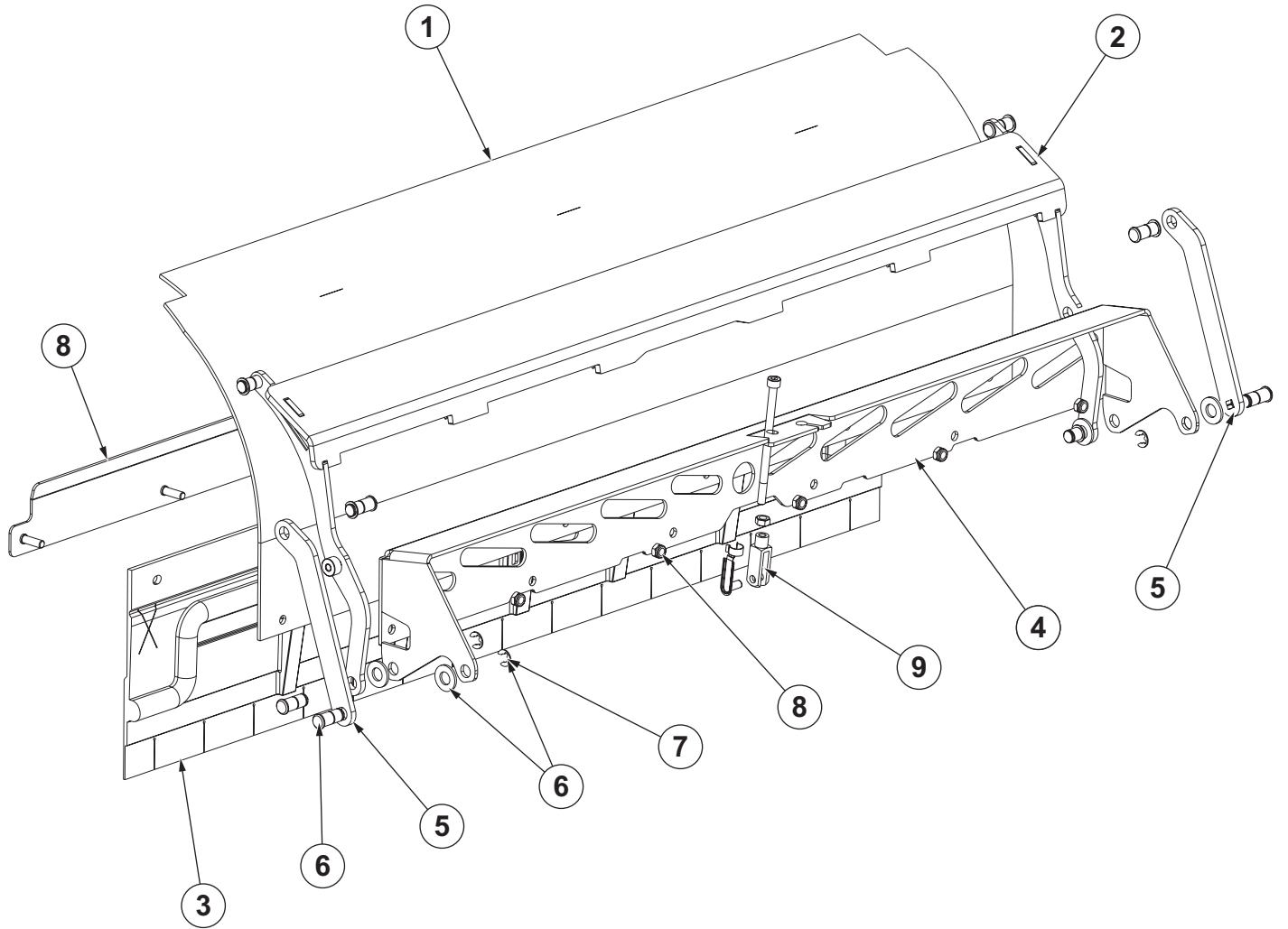
## SKIRTS ASSY



**SKIRTS ASSY**

KIT	ITEM	REF. NO.	QTY	DESCRIPTION	NOTE
	1	1466614000	1	SKIRT LT SIDE BLACK RUBBER SIP	
	2	1466619000	1	SKIRT RT SIDE BLACK RUBBER SIP	
	3	1466613000	1	SKIRT REAR PRIMARY BLACK RUBBER SIP	
	4	1466616000	1	SKIRT REAR RECYCLING BLACK RUBBER SIP	
	5	1466617000	1	PLATE GALV. F PRIMARY REAR SKIRT KIT	
	6	1466611000	1	PEDAL GALV.F FRONT SKIRT RAISING SIP	UNTIL S/N 3810172000033
	6#	1467575000	1	PEDAL GALV.F FRONT SKIRT RAISING SIP	STARTING FROM S/N 3810172000034
	7	1466615000	1	PLATE GALV. F LT SKIRT KIT	
	8	1466618000	1	PLATE GALV. F RT SIDE SKIRT KIT	
	9	1467039000	1	SPRING TRACTION CARBON STEEL SIP	
	10	1466610000	1	HARDWARE F FRONT SKIRT PEDAL KIT	
	11#	1467577000	1	WIRE F FRONT SKIRT RAISING SIP	

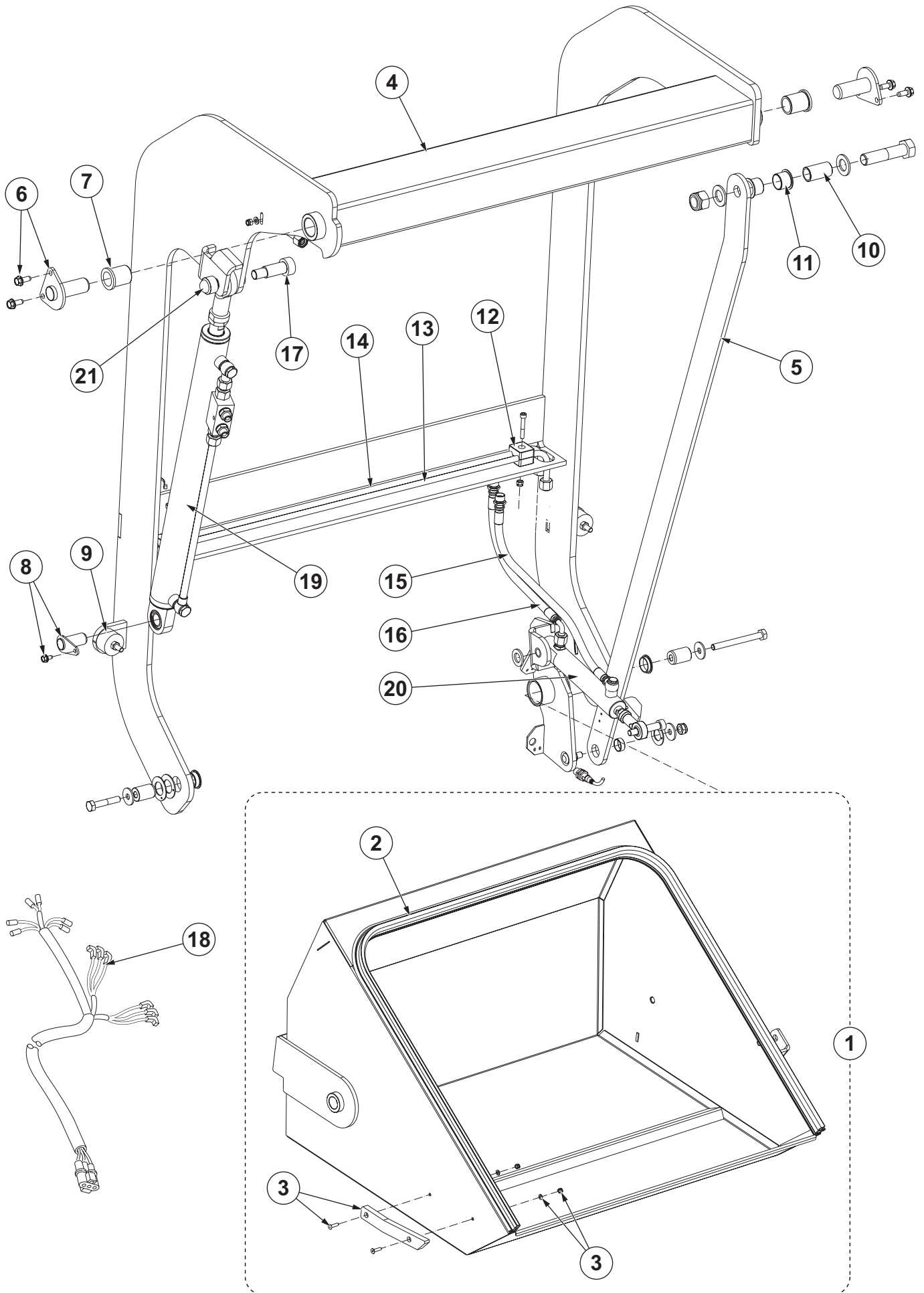
### FRONT SKIRT ASSY



**FRONT SKIRT ASSY**

KIT	ITEM	REF. NO.	QTY	DESCRIPTION	NOTE
	1	1466605000	1	WALL MOBILE LOWER BLACK RUBBER SIP	
	2	1466609000	1	SUPP PRIMARY GALV. F FRONT SKIRT SIP	
	3	1466606000	1	SKIRT FRONT OVERM BLACK RUBBER SIP	
	4	1466603000	1	SUPPORT GALV. F FRONT SKIRT SIP	UNTIL S/N 3810172000033
	4#	1467576000	1	SUPPORT GALV. F FRONT SKIRT SIP	STARTING FROM S/N 3810172000034
	5	1466604000	2	PLATE SECONDARY GALV. F FRONT SKIRT KIT	
	6	1466607000	1	PINS D10 FRONT SKIRT SUPPORT FIXING KIT	
	7	1466608000	1	SEEGER RING D.7 DIN6799 10 PCS SET	
	8	1466602000	1	PLATE GALV. F FRONT SKIRT KIT	
	9#	1467176000	1	STOP F FRONT SKIRT KIT	

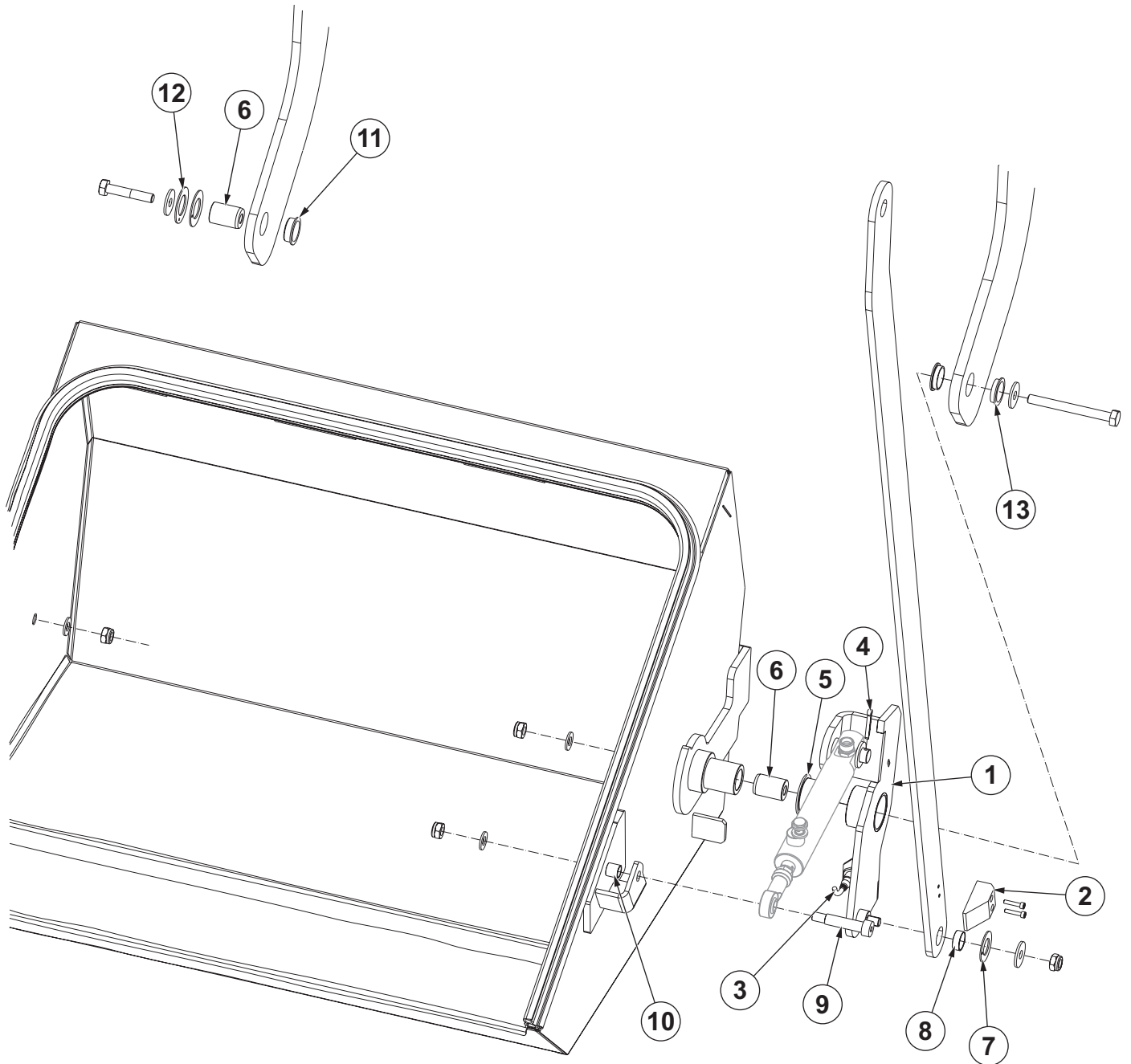
LIFTING HOPPER ASSY



**LIFTING HOPPER ASSY**

KIT	ITEM	REF. NO.	QTY	DESCRIPTION	NOTE
	1	1466718000	1	HOPPER WASTE CPL KIT	
	2	1466862000	1	GASKET D BULB RUBBER L.2020MM SIP	
	3	1466861000	1	CAM PLASTIC F HOPPER POSITIONING KIT	
	4	1466715000	1	ARM PRIMARY F HOPPER LIFTING BLACK SIP	
	5	1466716000	1	ARM SECONDARY F HOPPER LIFTING SIP	
	6	1466713000	2	PIN PIVOTING F HOPPER ARM KIT	
	7	1467045000	2	BEARING FLANGE IGLIDUR MFM-2532-40 SIP	
	8	1466714000	1	PIN F LIFTING CYLINDER KIT	
	9	1467047000	2	BUMPER M8 40x25MM SIP	
	10	1466719000	1	SPACER 20X25X43.5 GALV. SIP	
	11	1466720000	1	BEARING FL.IGLIDUR GFM-2528-21 2 PCS SET	
	12	1466717000	3	CLAMP TWIN D.10 PLASTIC BLUE 3 PCS SET	
	13	1466728000	1	HOSE SEMI RIGID D.10 HOPPER DUMP SIP	
	14	1466729000	1	HOSE SEMI RIGID D.10 HOPPER RECALL SIP	
	15	1466730000	1	HOSE HYDRAULIC 1/4 R1AT L. 550MM SIP	
	16	1466731000	1	HOSE HYDRAULIC 1/4 R1AT L. 490MM SIP	
	17	1467018000	1	SCREW SHOU 20X40 M16 ISO7379 2 PCS SET	
	18	1467553000	1	HARNESS HOPPER SIP	
	19	1466790000	1	CYLINDER HYDRAULIC 40/25/470 CPL KIT	
	20	1466723000	1	CYLINDER HYDRAULIC 25/16/120 CPL KIT	
	21	1466732000	1	CAP PLASTIC BLACK F M16 NUT SIP	

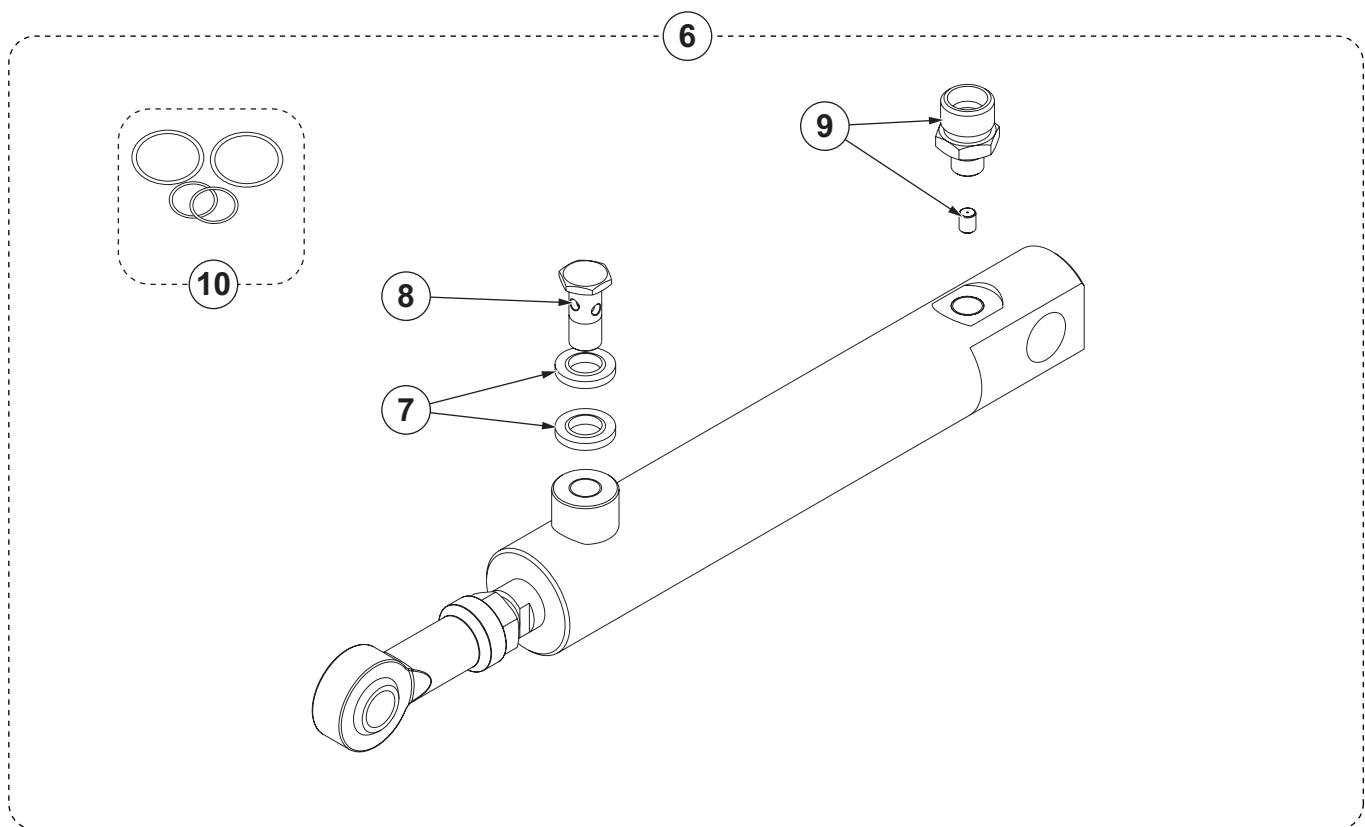
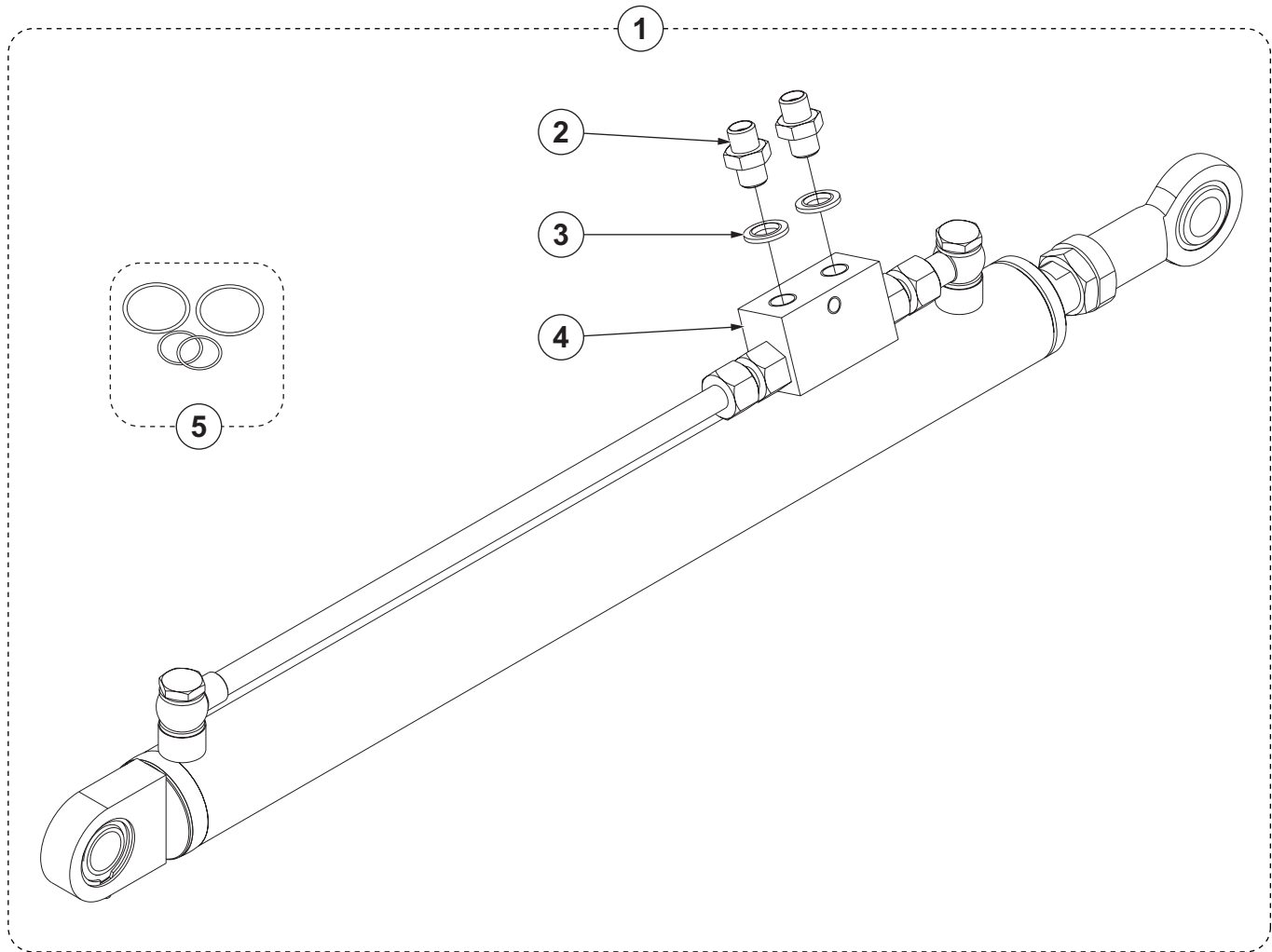
## LIFTING HOPPER ASSY



**LIFTING HOPPER ASSY**

KIT	ITEM	REF. NO.	QTY	DESCRIPTION	NOTE
	1	1466722000	1	BRACKET MET. F LIFTING ARMS JOINT SIP	
	2	1466724000	1	BLOCK PLASTIC F LIFTING ARM GUIDE SIP	
	3	1467062000	1	SWITCH BACK UP PROXIMITY SIP	
	4	1467005000	1	PIN SPLIT 4X25 UNI1336 10 PCS SET	
	5	1466721000	1	BEARING FLANGE IGLIDUR GFM-3539-36 SIP	
	6	1467043000	1	PIN HOPPER SIP	
	7	1467017000	1	WASHER THRUST GTM 2036-015 2 PCS SET	
	8	1466726000	1	BEARING FLANGE IGLIDUR GSM-2022-08 SIP	
	9	1467019000	1	SCREW SHOU 12X45 M10 ISO7379 2 PCS SET	
	10	1466725000	1	SPACER 12.5X15X14 BLACK PLAST. SIP	
	11	1467044000	3	BEARING FLANGE IGLIDUR GFM-2427-10 SIP	
	12	1467016000	1	WASHER THRUST GTM 2442-015 2 PCS SET	
	13	1466727000	1	BEARING FL.IGLIDUR GFM-2427-07 2 PCS SET	

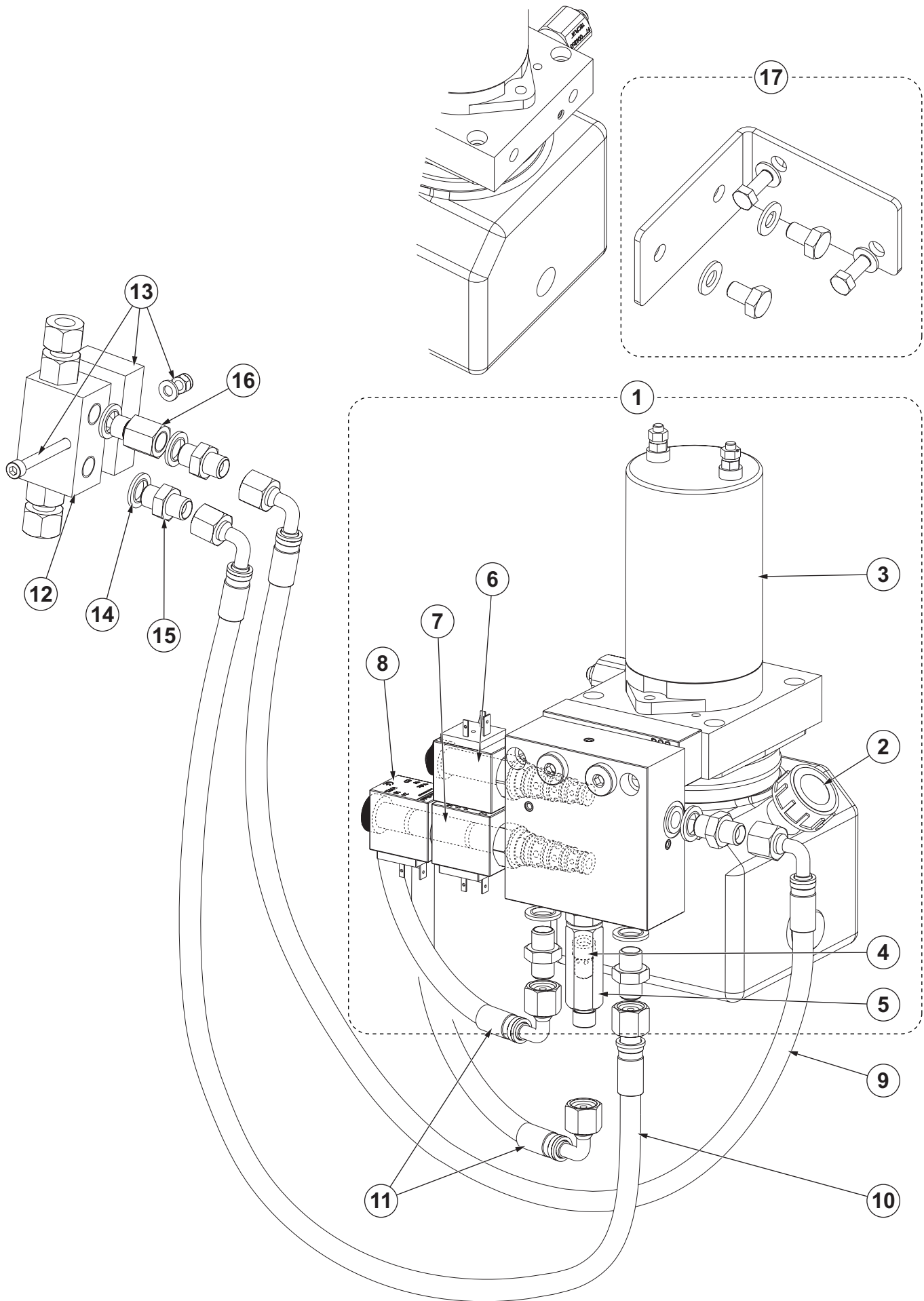
## CYLINDERS ASSY



**CYLINDERS ASSY**

KIT	ITEM	REF. NO.	QTY	DESCRIPTION	NOTE
	1	1466790000	1	CYLINDER HYDRAULIC 40/25/470 CPL KIT	
	2	1467011000	1	NIPPLE 1/4 4 PCS SET	
	3	1467007000	1	WASHER SEALING 1/4 10 PCS SET	
	4	1467054000	1	VALVE BLOCK SIP	
	5	1466553000	1	SEAL HYDRAULIC CYLINDER 40/25/470 KIT	
	6	1466723000	1	CYLINDER HYDRAULIC 25/16/120 CPL KIT	
	7	1467004000	1	WASHER 1/8 10 PCS SET	
	8	1467015000	1	BANJO BOLT 1/8 G 2 PCS SET	
	9	1466791000	1	FITTING 1/8 GAS WITH CAIBRATED DOWEL KIT	
	10	1466552000	1	SEAL HYDRAULIC CYLINDER 25/16/120 KIT	

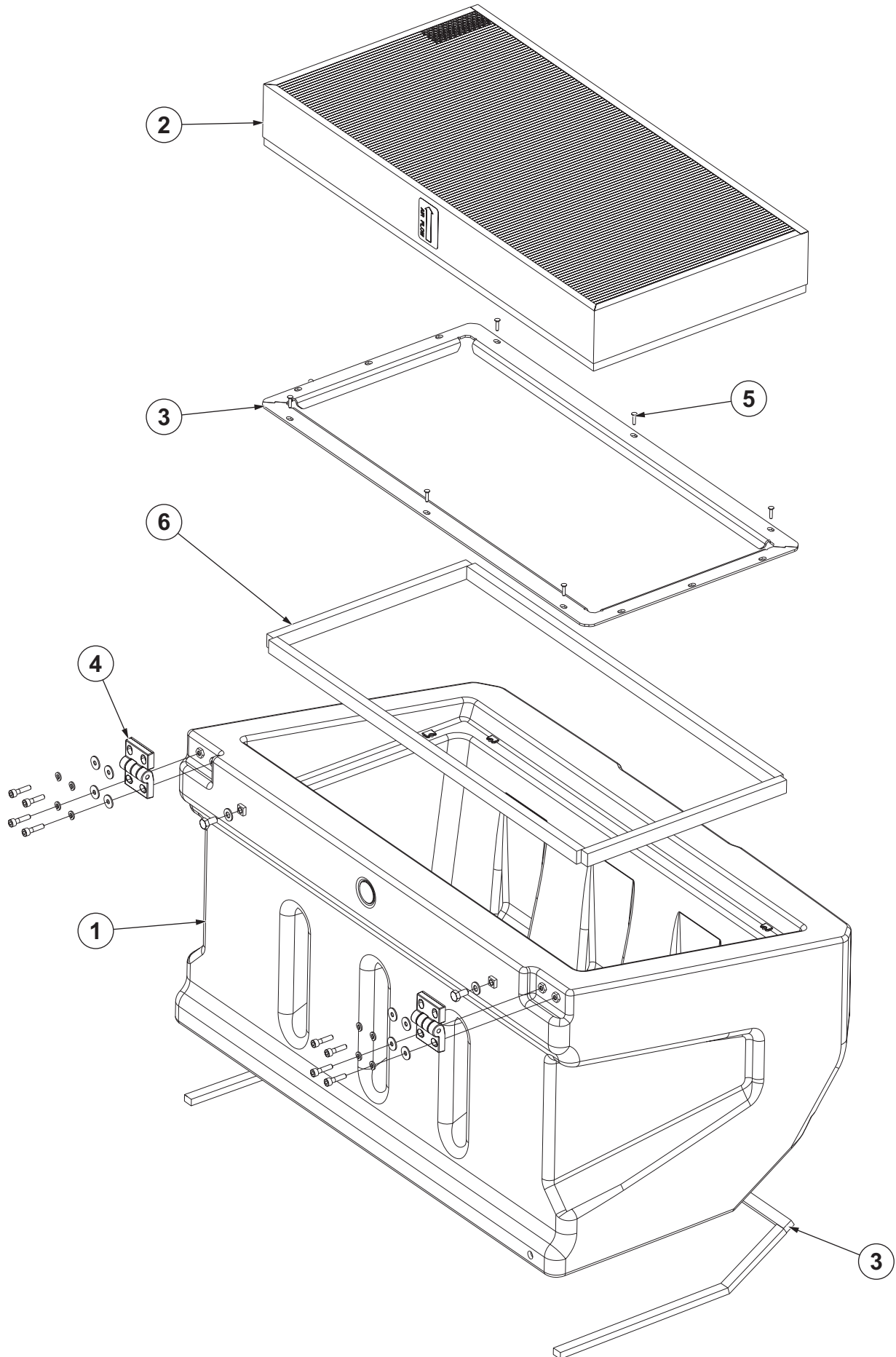
HYDRAULIC ASSY



**HYDRAULIC ASSY**

KIT	ITEM	REF. NO.	QTY	DESCRIPTION	NOTE
	1	1466712000	1	GEARCASE HYDRAULIC 24V 800W 1CC SIP	
	2	1467213000	1	CAP PRESSURE D19 SIP	
	3	1467242000	1	MOTOR ELECTRIC 24V 800W SIP	
	4	1467209000	1	VALVE FLOW CONTROL 5L/MIN 1/4 GAS SIP	
	5	1467243000	1	STUD BOLT M/F 1/4 BSP ES. 19	
	6	1467211000	1	CARTRIDGE SOLENOID VALVE 4/2 SIP	
	7	1467212000	1	CARTRIDGE SOLENOID VALVE 4/3 SIP	
	8	1467210000	3	SOLENOID 24V 18W N-H13 SIP	
	9	1466709000	1	HOSE HYDRAULIC 1/4 R1AT L. 780MM SIP	
	10	1466710000	1	HOSE HYDRAULIC 1/4 R1AT L. 680MM SIP	
	11	1466711000	2	HOSE HYDRAULIC 1/4 R1AT L. 600MM SIP	
	12	1467054000	1	VALVE BLOCK SIP	
	13	1466707000	1	SPACER F VALVE PLASTIC BLACK KIT	
	14	1467007000	1	WASHER SEALING 1/4 10 PCS SET	
	15	1467011000	1	NIPPLE 1/4 4 PCS SET	
	16#	1467679000	1	ADAPTER M/F STRAIGHT 1/4 L.21MM HX19 SIP	
	17	1466708000	1	BRACKET MET. F HYDRAULIC GEARCASE KIT	

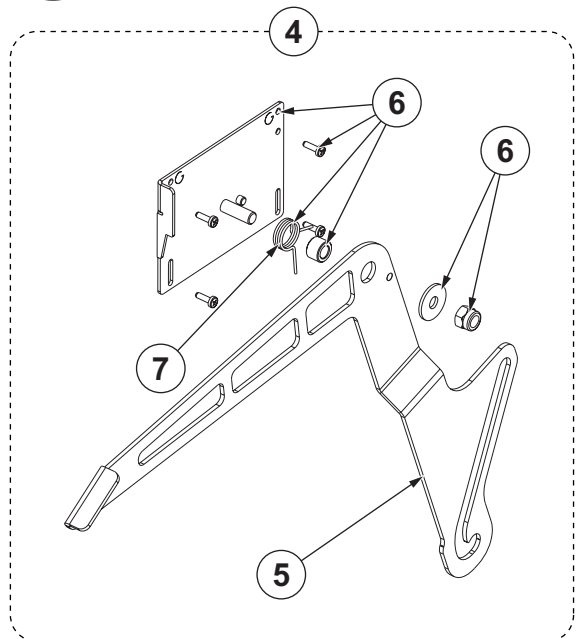
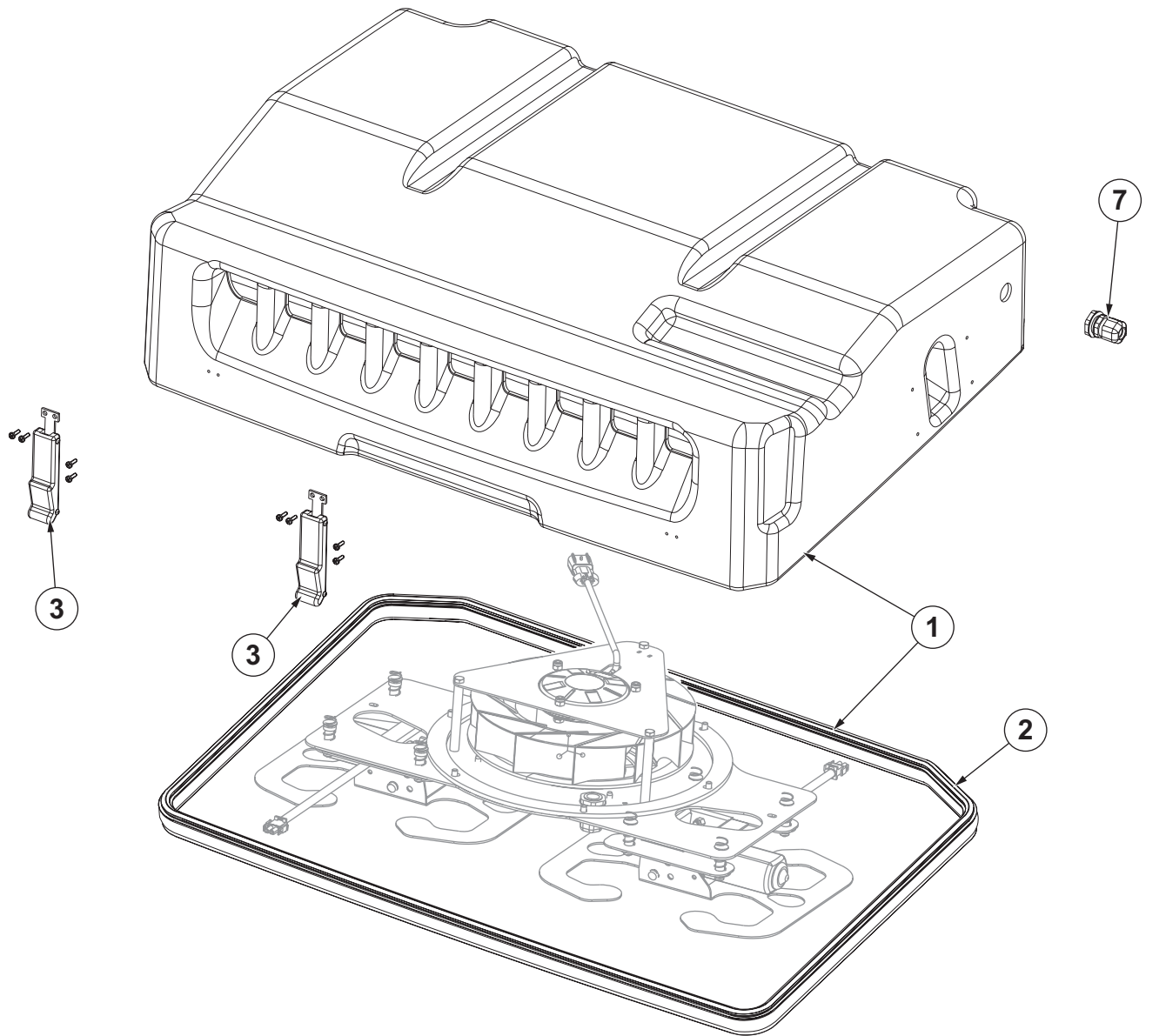
### FILTER SUPPORT ASSY



**FILTER SUPPORT ASSY**

KIT	ITEM	REF. NO.	QTY	DESCRIPTION	NOTE
	1	1466835000	1	SUPPORT PLASTIC BLACK F VAC FILTER KIT	
	1	1466834000	1	TANK SUPPORT PLASTIC F VAC FILTER KIT	FOR DUSTGUARD KIT
	2	1467174000	1	FILTER PANEL PAPER ULTRA WEB	
	<b>2*</b>	<b>1467173000</b>	<b>1</b>	<b>FILTER PANEL POLYESTER ULTRA WEB</b>	
	3	1466836000	1	SUPPORT PLAIN GALV. F FILTER KIT	
	4	9098329000	1	HINGES KIT	
	5	1466908000	1	SCREW 3.5X16 C/SUNK PHIL F PC 10 PCS SET	
	6#	1467077000	1	GASKETS ADHESIVE 22X20 KIT	

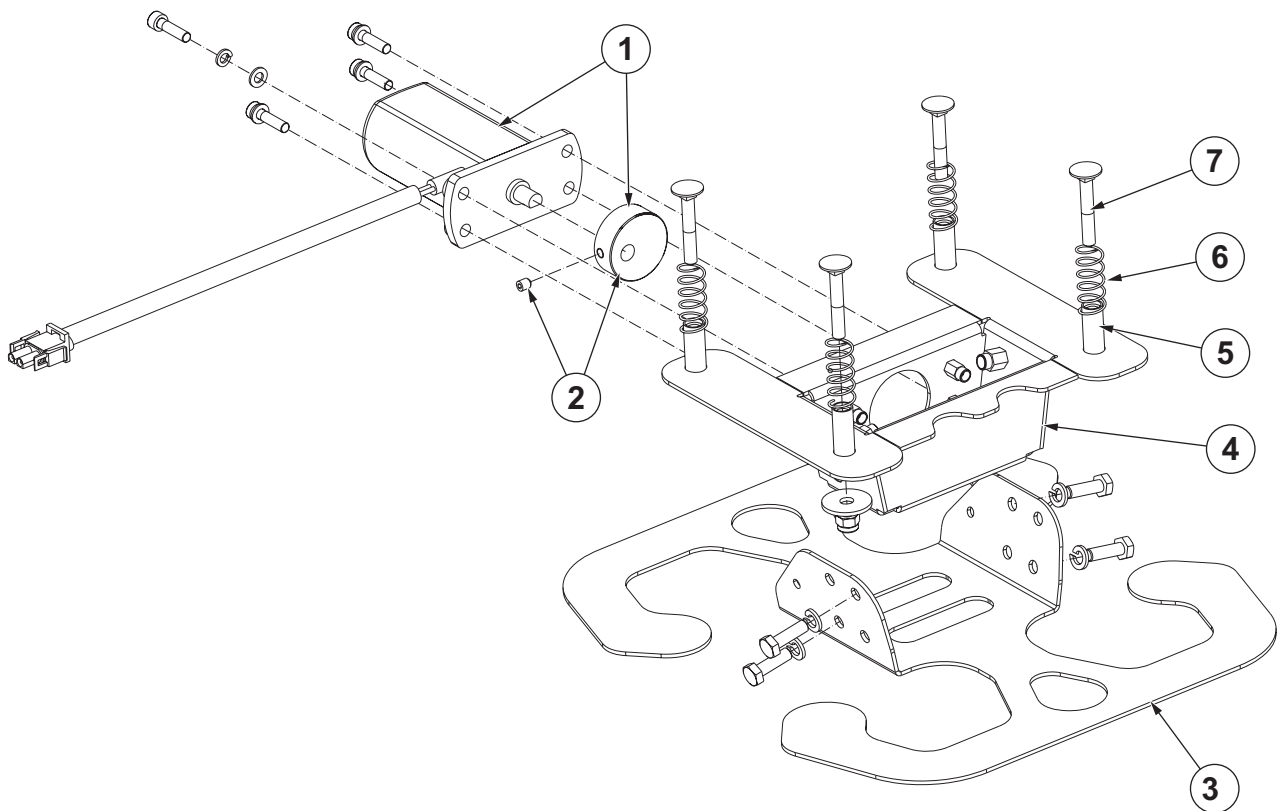
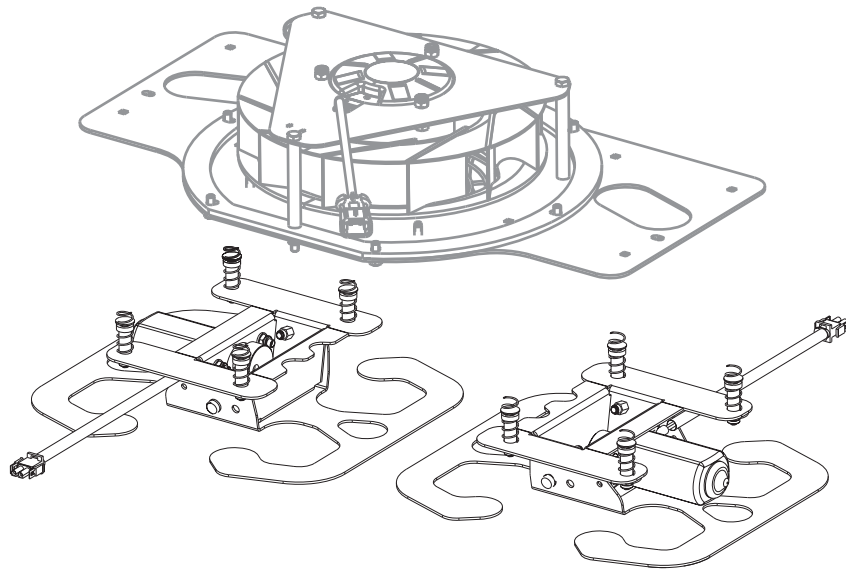
FAN SUPPORT ASSY



**FAN SUPPORT ASSY**

KIT	ITEM	REF. NO.	QTY	DESCRIPTION	NOTE
	1	1466853000	1	SUPPORT PLASTIC GREY F FAN KIT	GREY MODEL
	1	1466854000	1	SUPPORT PLASTIC BLUE F FAN KIT	BLUE MODEL
	2	1466855000	1	GASKET BULB RUBBER L. 2390MM SIP	
	3	1467042000	2	HATCH RUBBER SIP	
	4	1466856000	1	LEVER F FAN HOLDER BLOCK KIT	
	5	1466869000	1	LEVER GALV. F FAN HOLDER RETAINER SIP	
	6	1466870000	1	PLATE GALV. F FAN HOLDER RETAINER KIT	
	7	1467038000	1	PEDAL SPRING SIP	
	8	9100001779	1	GLAND CABLE PLASTIC W/NUT PG13.5 SIP	

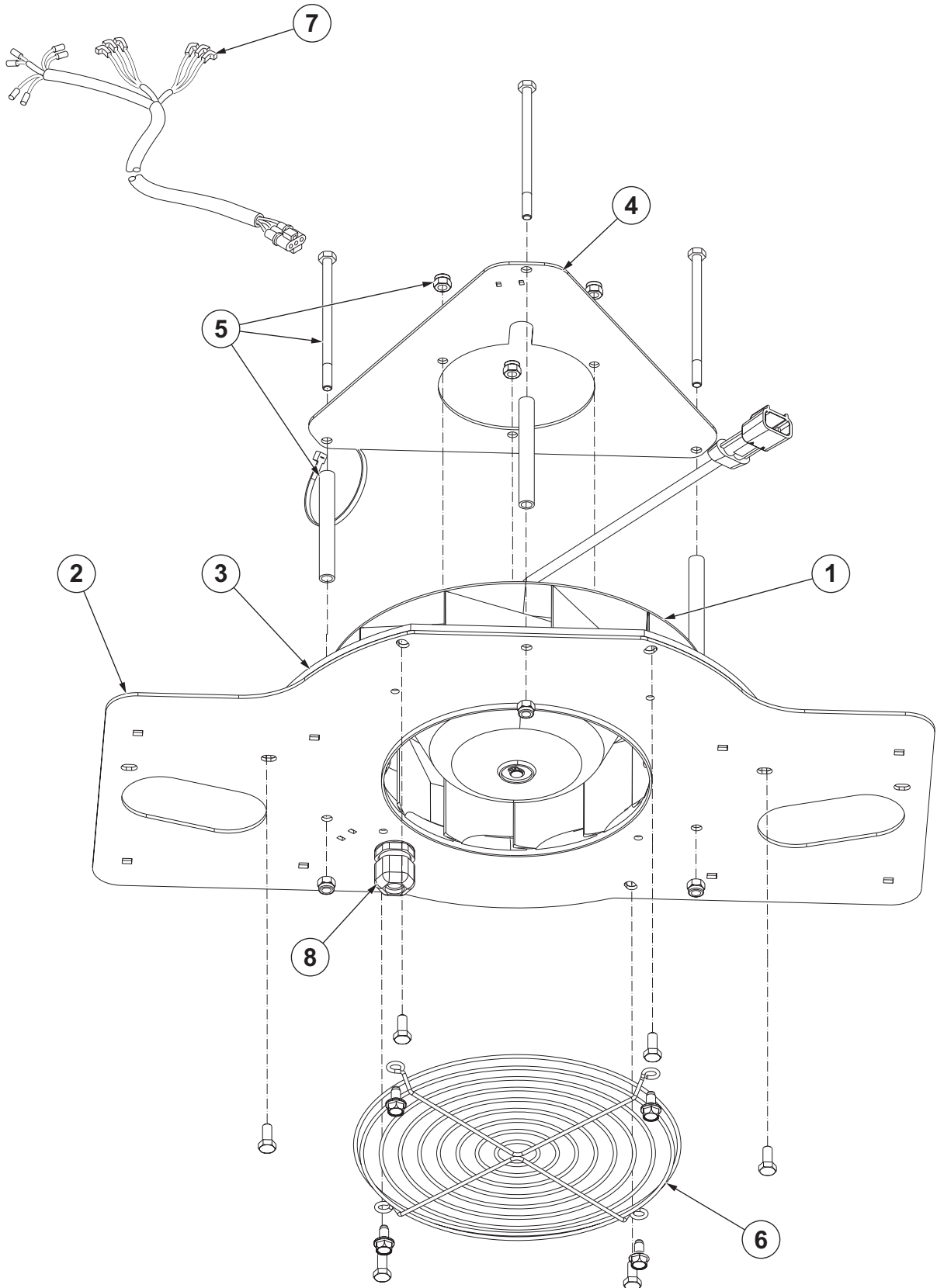
## SHAKER FILTER ASSY



**SHAKER FILTER ASSY**

KIT	ITEM	REF. NO.	QTY	DESCRIPTION	NOTE
	1	1466314000	2	MOTOR FILTER SHAKER 12W 24V KIT	
	2	1466857000	2	CAM F FILTER SHAKER KIT	
	3	1466879000	2	BRACKET GALV. F FILTER SHAKER SIP	
	4	1466878000	2	SUPPORT F FILTER SHAKER MOTOR SIP	
	5	1467010000	2	SPACER 6.5X10X26 GALV. 4 PCS SET	
	6	1467009000	2	SPRING 1X11.5 4 PCS SET	
	7	1467003000	1	SCREW M6X40 CARR. ISO8677 10 PCS SET	

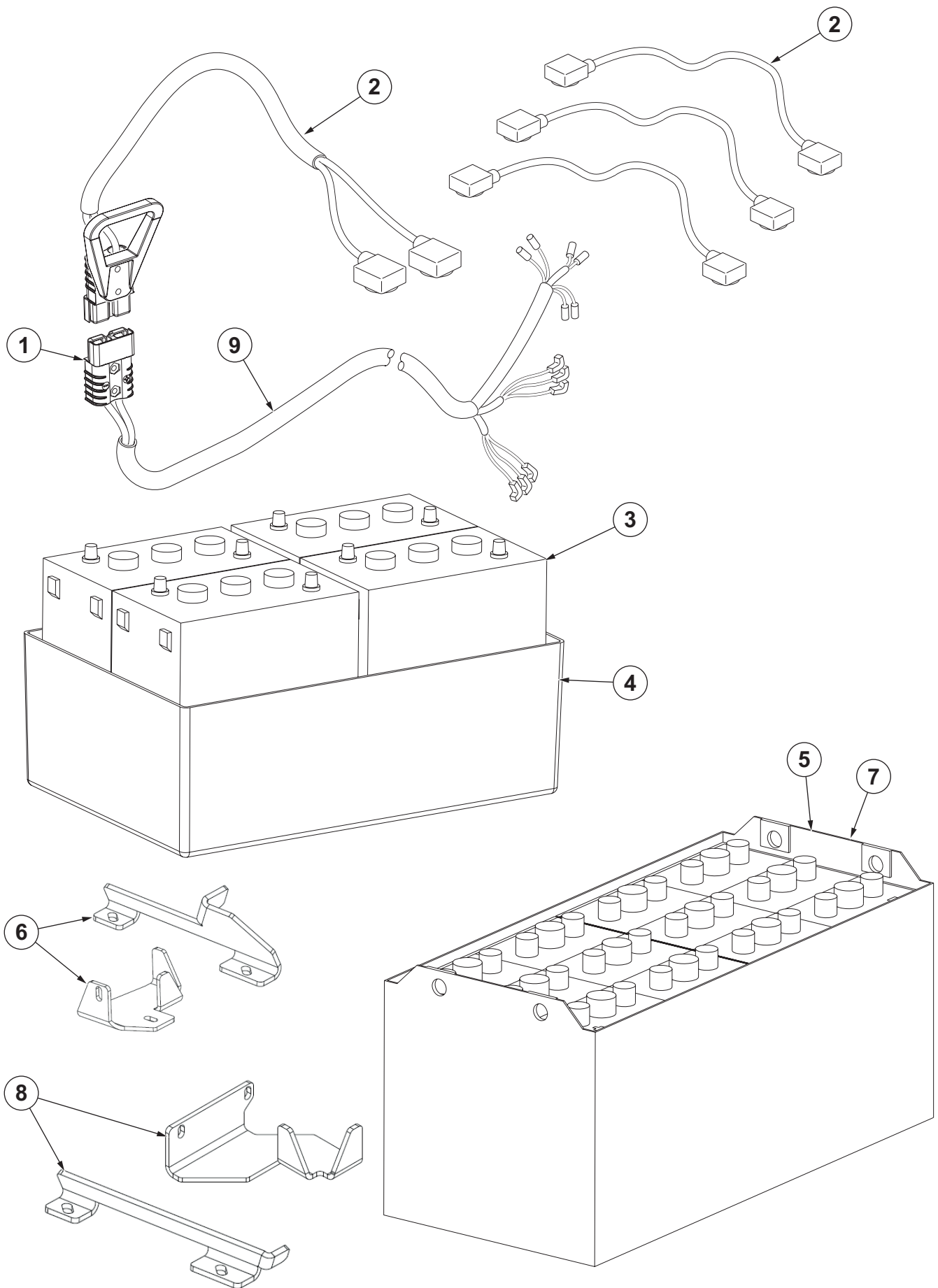
VACUUM FAN ASSY



**VACUUM FAN ASSY**

KIT	ITEM	REF. NO.	QTY	DESCRIPTION	NOTE
	1	1467040000	1	FAN RADIAL 24V SIP	
	2	1466866000	1	PLATE GALV. F FAN AND FILTER SHAKER SIP	
	3	33023192	1	GASKET MOTOR VACUUM SIP	
	4	1467061000	1	SUPPORT MOTOR VACUUM SIP	
	5	1466868000	1	SPACERS CPL F VAC FAN KIT	
	6	33018805	1	GRILL ELECTROFAN KIT	
	7	1467552000	1	HARNESS F FILTER SHAKER AND FAN SIP	
	8	9100001779	1	GLAND CABLE PLASTIC W/NUT PG13.5 SIP	

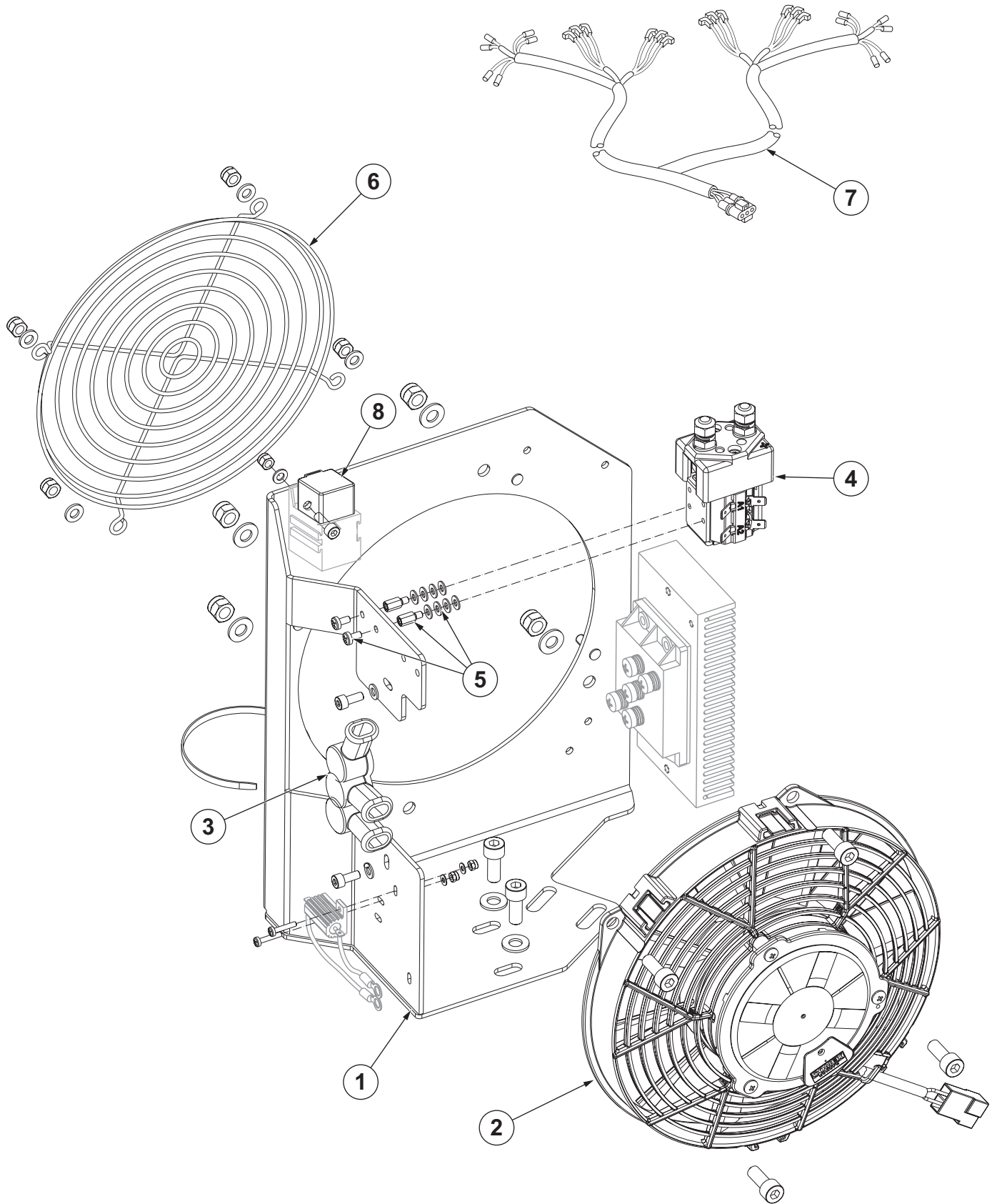
ELECTRIC SYSTEM



**ELECTRIC SYSTEM**

KIT	ITEM	REF. NO.	QTY	DESCRIPTION	NOTE
	1	1467029000	2	CONNECTOR 175A RED	
	2	1467294000	1	HARNESS BATTERY US SIP	
	3*	80564100	4	BATT. 6V-240AH GEL MONOBLOC	
	3*	80565000	4	BATT. 6V-255AH WET SEMI T MONOBLOC	
	4*#	1467475000	1	BATTERY TRAY 630X420	
	5*	80565300	1	BATTERY TRACTION 24V 330 Ah GEL	
	5*	80565200	1	BATTERY TRACTION 24V 360 AH	
	6*	1465750000	1	BATTERY FIXING 360AH BATTERY TRAY KIT	
	7*	80562448	1	BATTERY TRACTION 24V 480 AH - 8 EPZS 480	
	8*	1466420000	1	BATTERY FIXING 480AH BATTERY TRAY KIT	
	9	1467292000	1	HARNESS MACHINE BATTERY VER US SIP	

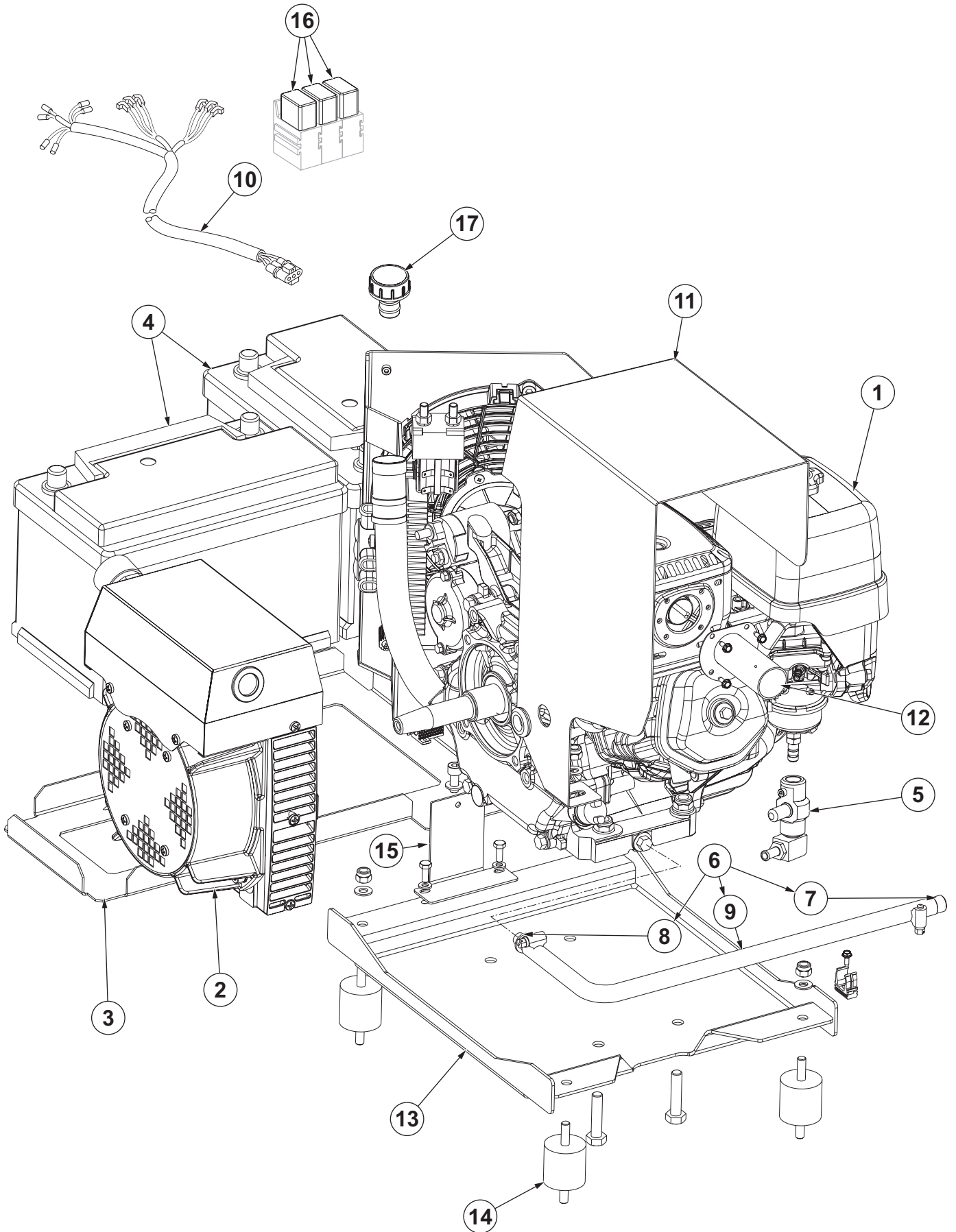
# ENGINE FAN ASSY



**ENGINE FAN ASSY**

KIT	ITEM	REF. NO.	QTY	DESCRIPTION	NOTE
	1	1466792000	1	SUPPORT F COOLING FAN MET. BLACK SIP	
	2	1466793000	1	FAN AXIAL 24VDC 170W D.225 SIP	
	3	1467012000	1	BOOT BATTERY NEGATIVE POLE BL 3 PCS SET	
	4	1466644000	1	CONTACTOR 24V 200A SIP	
	5	1466643000	1	HARDWARE F HIGH CONTACTOR FIXING KIT	
	6	33018805	1	GRILL ELECTROFAN KIT	
	7	1467293000	1	HARNESS MACHINE ENGINE US VERSION SIP	
	8#	145 3712 000	1	RELAY 24V	

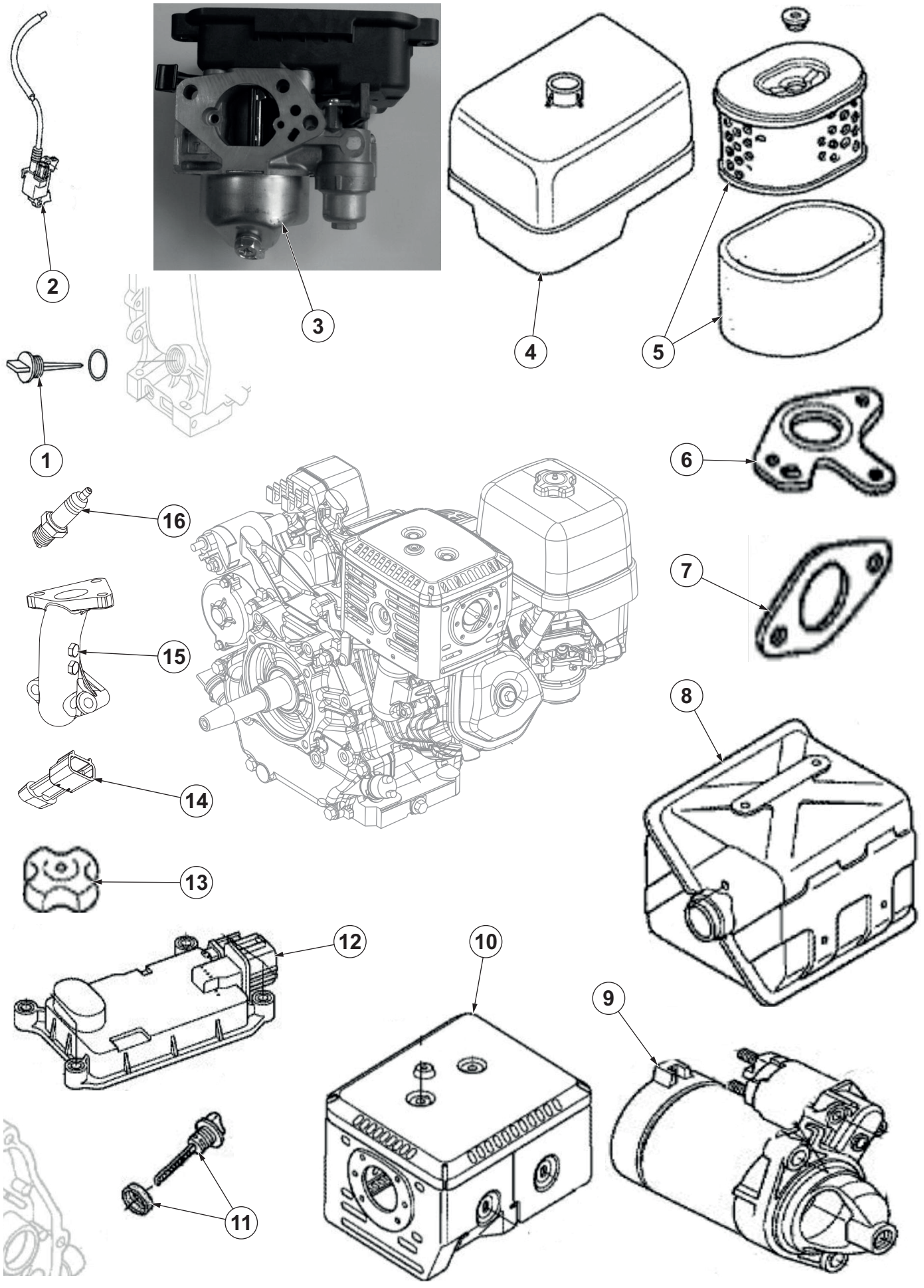
LPG ENGINE ASSY



**LPG ENGINE ASSY**

KIT	ITEM	REF. NO.	QTY	DESCRIPTION	NOTE
	1	1466814000	1	ENGINE GX270 MODIFIED F LPG KIT	
	2	1466804000	1	ALTERNATOR PMG 24V 3.8KW SIP	
	3	1466816000	1	STOPPER MET. F BATTE LPG VERSION KIT	
	4	1467085000	2	BATTERY START 12V 77 AH SIP	
	5	1466933000	1	SETTING F LPG FEEDING KIT	
	6	1466820000	1	HOSE LPG ENGINE OIL DRAIN KIT	
	7	1467033000	1	SETTING F LPG FEEDING KIT	
	8	1466824000	1	BARB HOSE M12X1.5 BRASS SIP	
	9	145 5037 000	1	HOSE OIL DRAIN D.10X17 SIP	
	10	1467554000	1	HARNESS F LPG VERSION SIP	
	11	1466823000	1	PROTECTION MUFFLER MET. LPG VERS. SIP	
	12	1466822000	1	EXTENSION F LPG MUFFLER MET. BLACK KIT	
	13	1466818000	1	SUPPORT GALV. F LPG ENGINE CPL KIT	
	14	1466817000	4	VIBRATION DAMP M8 M/M D40X40 70SHA KIT	
	15	1466819000	1	BRACKET SUPPORT F ENGINE RELAY SIP	
	18#	146 1646 000	3	RELAY 24V	
	17#	1467058000	1	CAP OIL D.18 SIP	

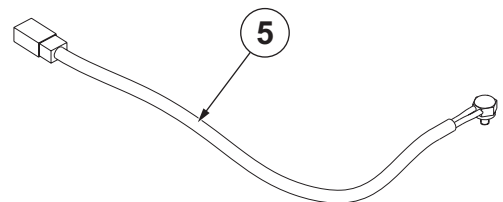
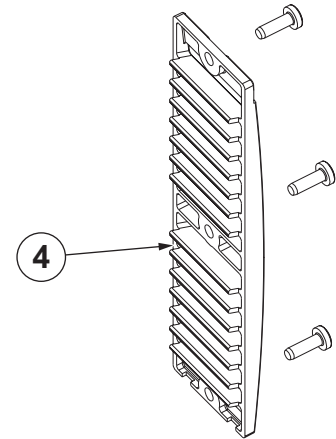
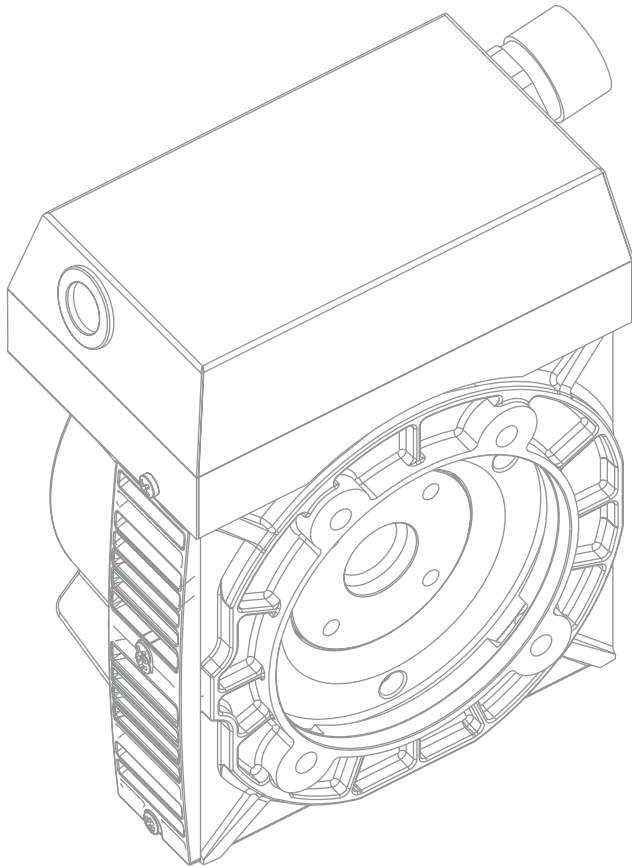
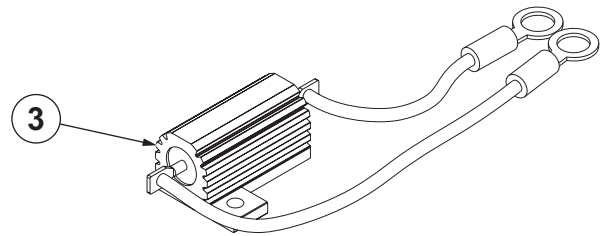
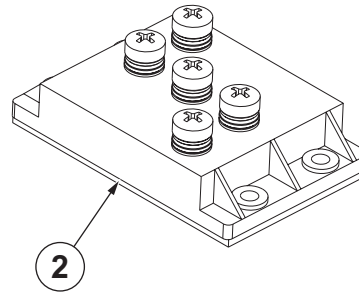
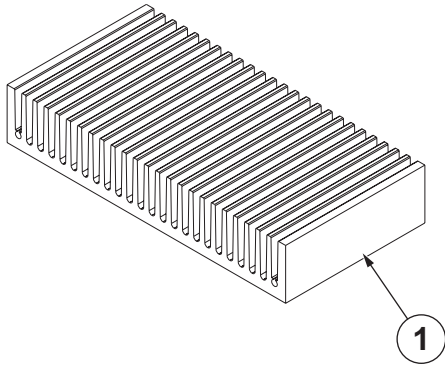
LPG ENGINE SPARES



**LPG ENGINE SPARES**

KIT	ITEM	REF. NO.	QTY	DESCRIPTION	NOTE
	1	1467020000	1	NUT WING M6 UNI5448A 2 PCS SET	
	2	1467216000	1	COIL IGNITION ENGINE COMPLETE SIP	
	3	1466815000	1	CARBURETOR F LPG ENGINE KIT	
	4	1467217000	1	COVER F AIR FILTER BOX SIP	
	5	1467218000	1	FILTER AIR ENGINE SIP	
	6	1467219000	1	GASKET MUFFLER ENGINE SIP	
	7	1467220000	1	GASKET EXHAUST PIPE ENGINE SIP	
	8	1467239000	1	MUFFLER LPG ENGINE KIT	
	9	1467221000	1	MOTOR STARTER 12V 0.6KW ENGINE SIP	
	10	1467222000	1	GUARD F MUFFLER ENGINE SIP	
	11	1467223000	1	CAP W/LUB.OIL GAUGE ENGINE SIP	
	12	1467224000	1	CONTROL UNIT F ENGINE CARBURETOR SIP	
	13	1467225000	1	KNOB F AIR FILTER COVER SIP	
	14	1466858000	1	CONNECTORS EQUIPMENT F ENGINE SIP	
	15	1467167000	1	EXHAUST MANIFOLD CPL F LPG ENGINE KIT	
	16#	1467159000	1	SPARK PLUG NGK R BPR6ES SIP	

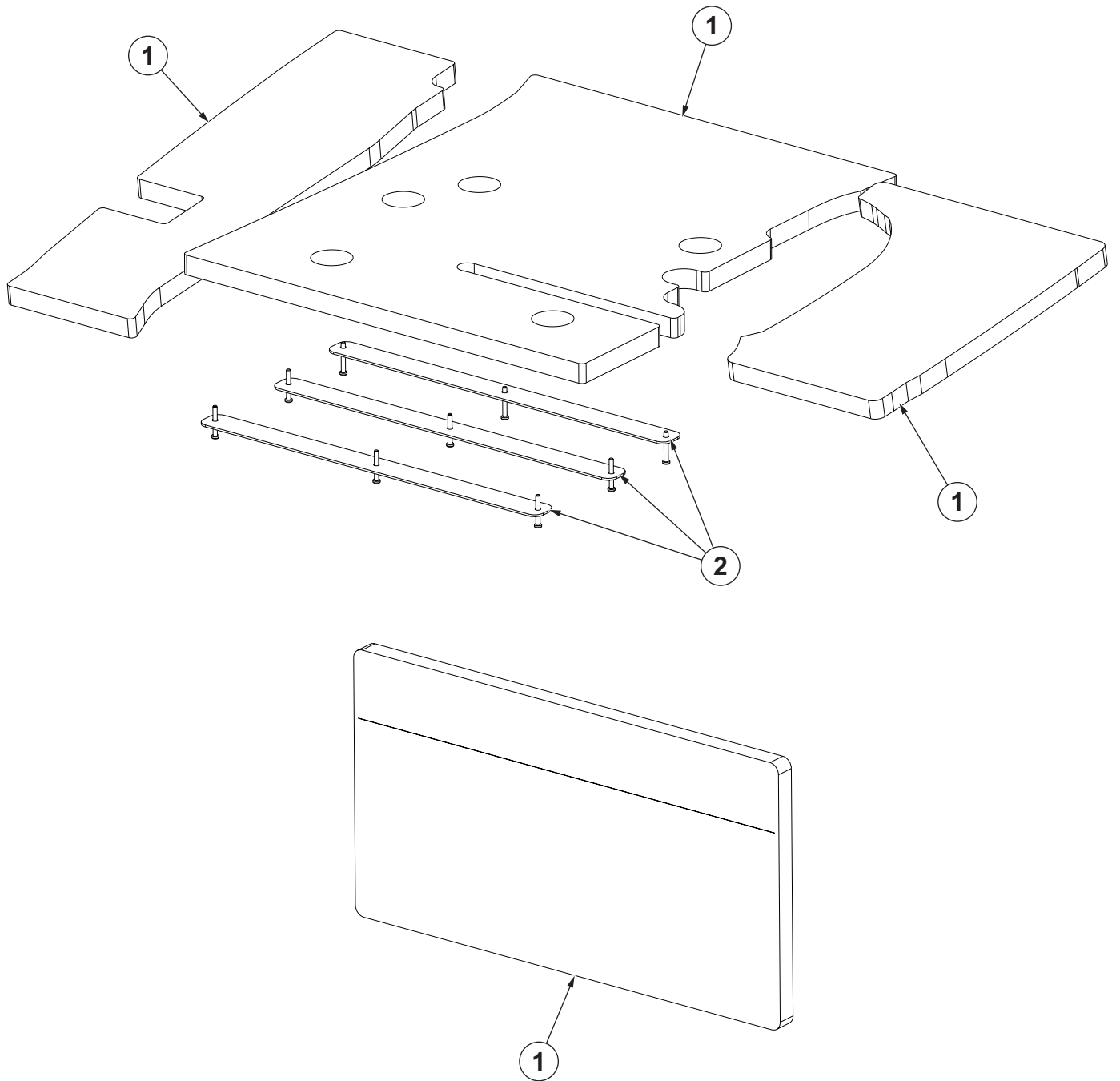
ALTERNATOR SPARES



**ALTERNATOR SPARES**

KIT	ITEM	REF. NO.	QTY	DESCRIPTION	NOTE
	1	1466233000	1	HEAT SINK ALLUMINIUM	
	2	1466297000	1	RECTIFIER BRIDGE 180A	
	3	1466426000	1	RESISTOR 100 OHM 25W	
	4	1466480000	1	GRID SIDE F ALTERNATOR PLASTIC BLACK	
	5	1466578000	1	SENSOR TEMPERATURE 90C N/C	

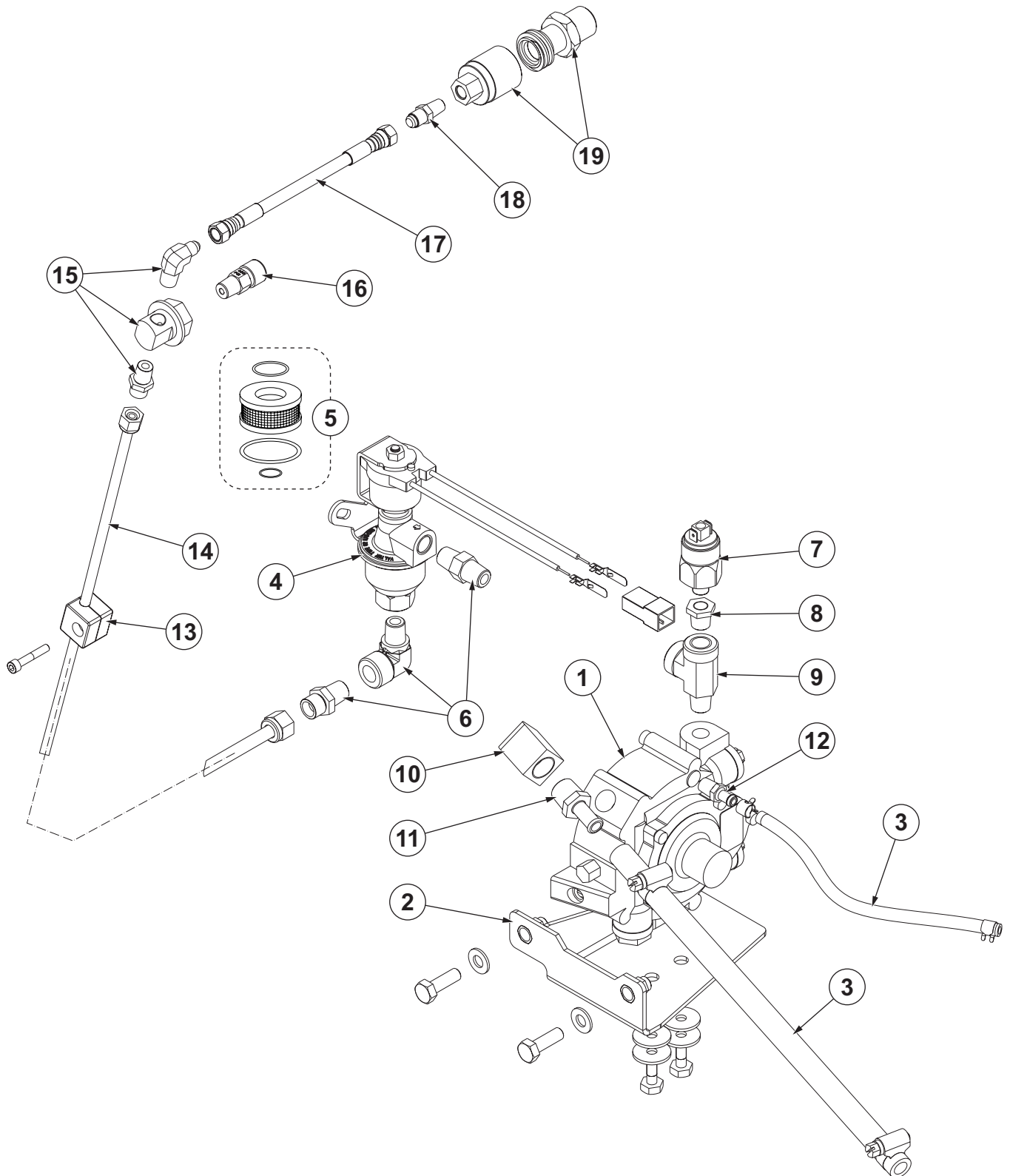
ENGINE ISOLATION



**ENGINE ISOLATION**

KIT	ITEM	REF. NO.	QTY	DESCRIPTION	NOTE
	1	1466873000	1	PANELS SOUNDPROOFING KIT	
	2	1466874000	1	PLATE F SOUND PROOFING PANEL 3 PCS SET	

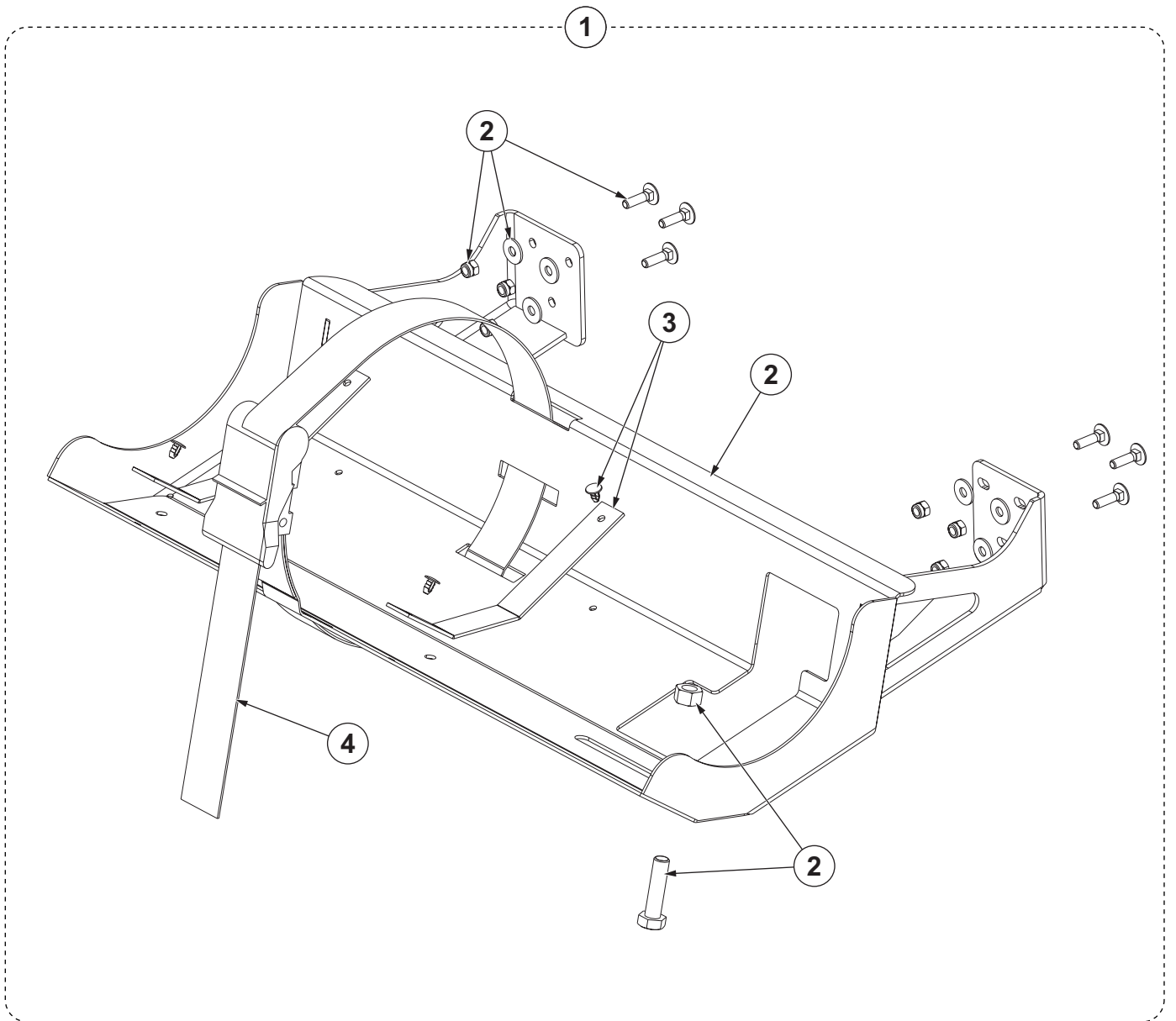
## LPG SYSTEM ASSY



**LPG SYSTEM ASSY**

KIT	ITEM	REF. NO.	QTY	DESCRIPTION	NOTE
	1	1467051000	1	REGULATOR LPG T60 SIP	
	2	1466830000	1	BRACKET MET. F LPG REGULATOR SUPP. SIP	
	3	1467483000	1	HOSES LPG REGULATOR KIT	
	4	1465633000	1	SOLENOID VALVE LPG/CNG 12V 8W KIT	
	5	1466778000	1	REPAIR SOLENOID VALVE LPG SIP	
	6	1466827000	1	FITTINGS F LPG SOLENOID VALVE KIT	
	7	33022290	1	SWITCH PRESSURE 1.1 BAR SIP	
	8	1467050000	1	REDUCTION M1/4 - F1/8 NPT SIP	
	9	1467049000	1	FITTING T F-F-M 1/4 NPT SIP	
	10	1466828000	1	ELBOW 90 3/8 NPT M-F SIP	
	11	1467052000	1	HOLDER RUBBER D.10 3/8 NPT M SIP	
	12	1467053000	1	HOLDER RUBBER D.6 1/8 NPT SIP	
	13	33022437	1	PLATE FIXING KIT	
	14	1466826000	1	HOSE RIGID D.8MM THK 1.5MM F GAS SIP	
	15	1466825000	1	FITTINGS LPG TANK SIDE KIT	
	16	1467063000	1	VALVE SECURITY 400PSI SIP	
	17	1467068000	1	HOSE LPG L400 MM SIP	
	18	1467067000	1	PIN D.10 LOCKING BRUSH SIP	
	19	1465350000	1	ADAPTER F LPG TANK KIT	

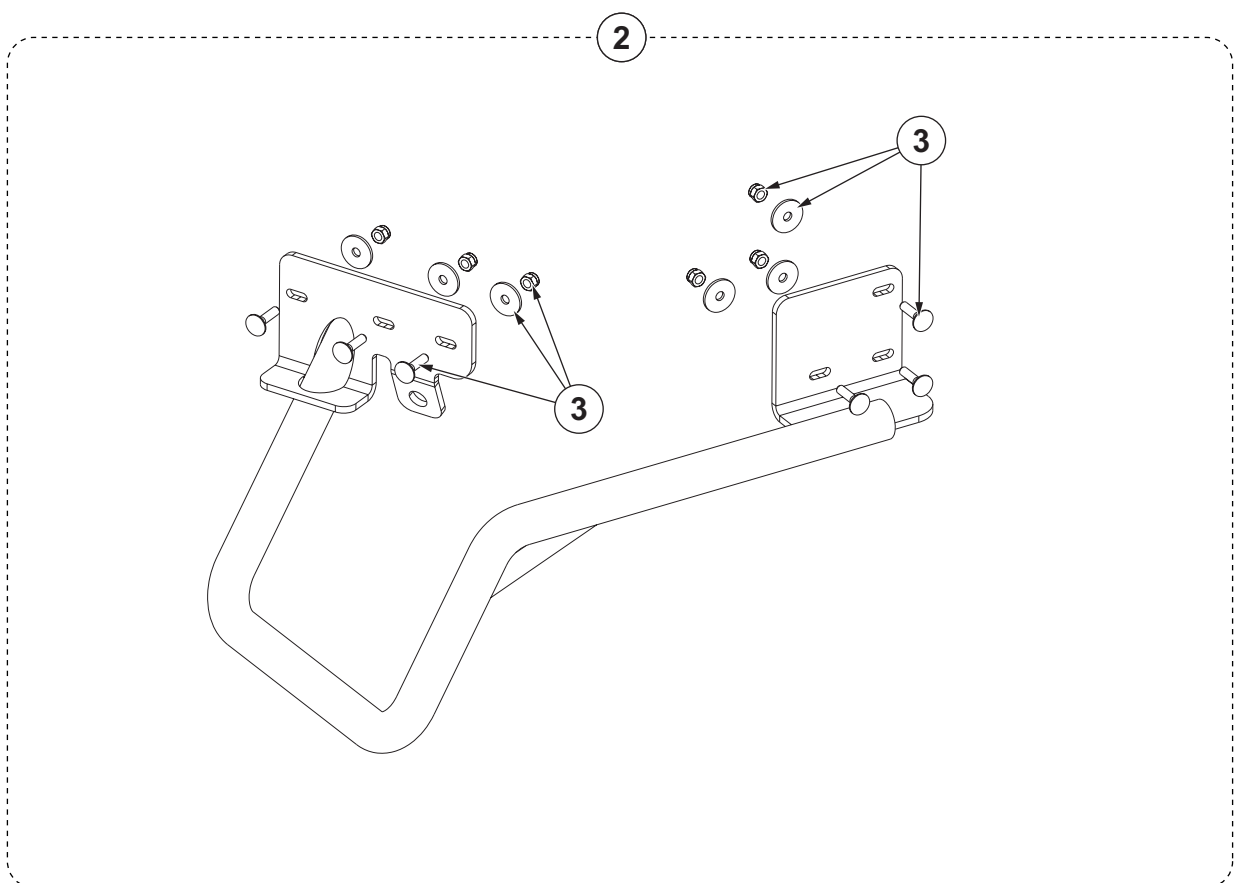
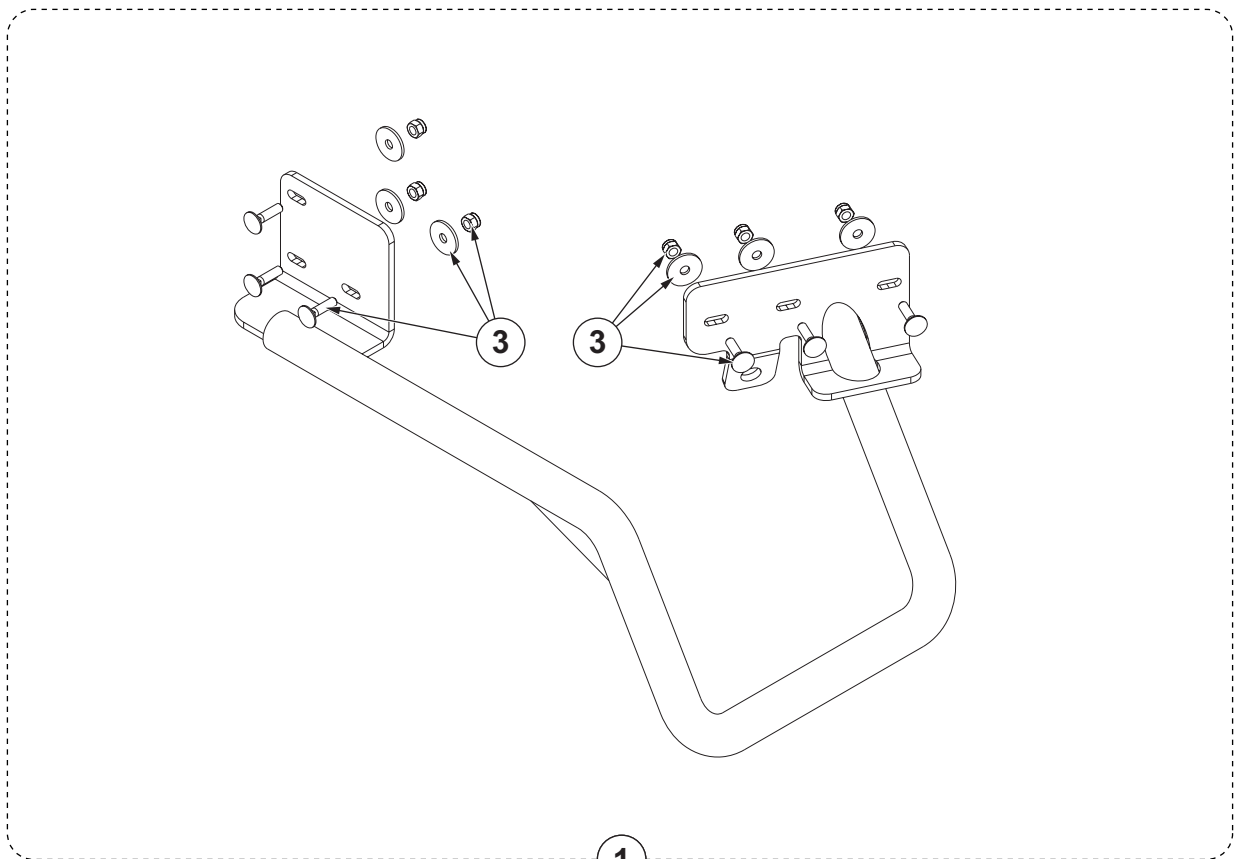
LPG TANK SUPPORT ASSY



**LPG TANK SUPPORT ASSY**

KIT	ITEM	REF. NO.	QTY	DESCRIPTION	NOTE
	1	1466833000	1	SUPPORT MET. BLACK F LPG TANK KIT	
	2	1466832000	1	HARDWARE F LPG TANK SUPPORT KIT	
	3	1466831000	1	RUBBER ANTI-SKID FOR LGP TANK KIT	
	4	1467064000	1	BAND POLYESTER W/RACKET SIP	

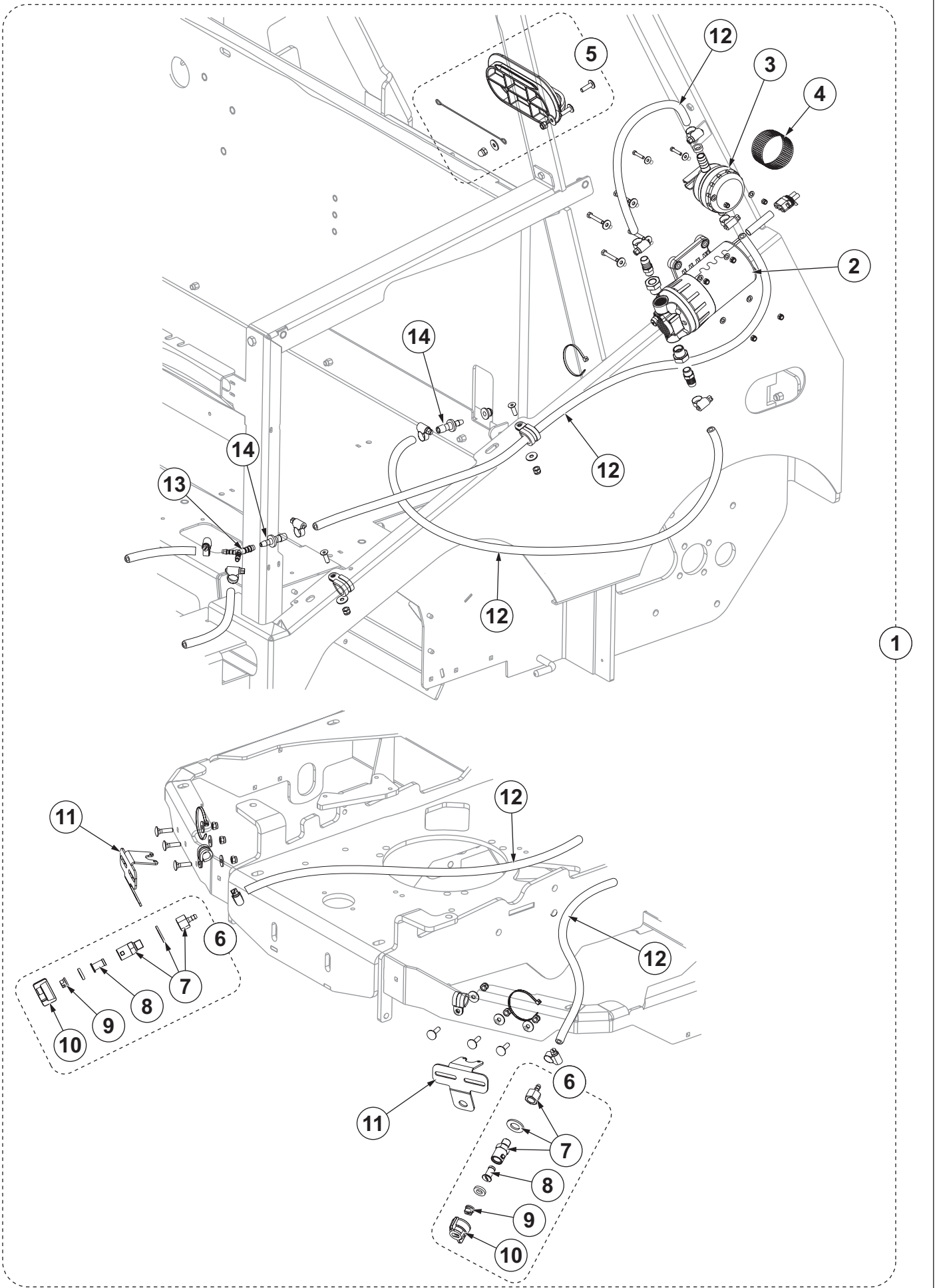
OPTIONALS, ACCESSORIES



**OPTIONALS, ACCESSORIES**

KIT	ITEM	REF. NO.	QTY	DESCRIPTION	NOTE
	1*	1466891000	1	GUARD RIGHT SIDE BROOM KIT	(1466901000) INSTALLATION INSTRUCTIONS
	2*	1466892000	1	GUARD LEFT SIDE BROOM KIT	(1466901000) INSTALLATION INSTRUCTIONS
	3	1466927000	2	HARDWARE F SIDE BROOM GUARD KIT	

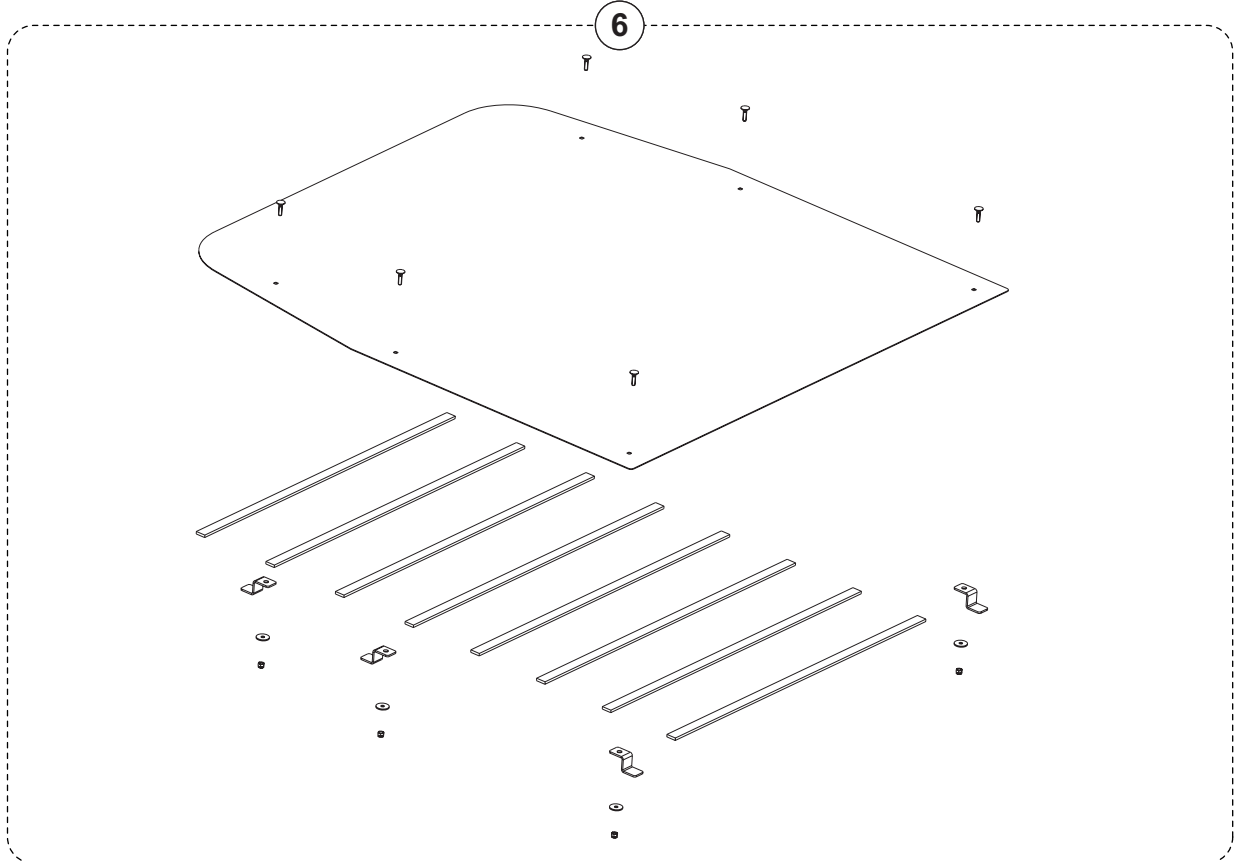
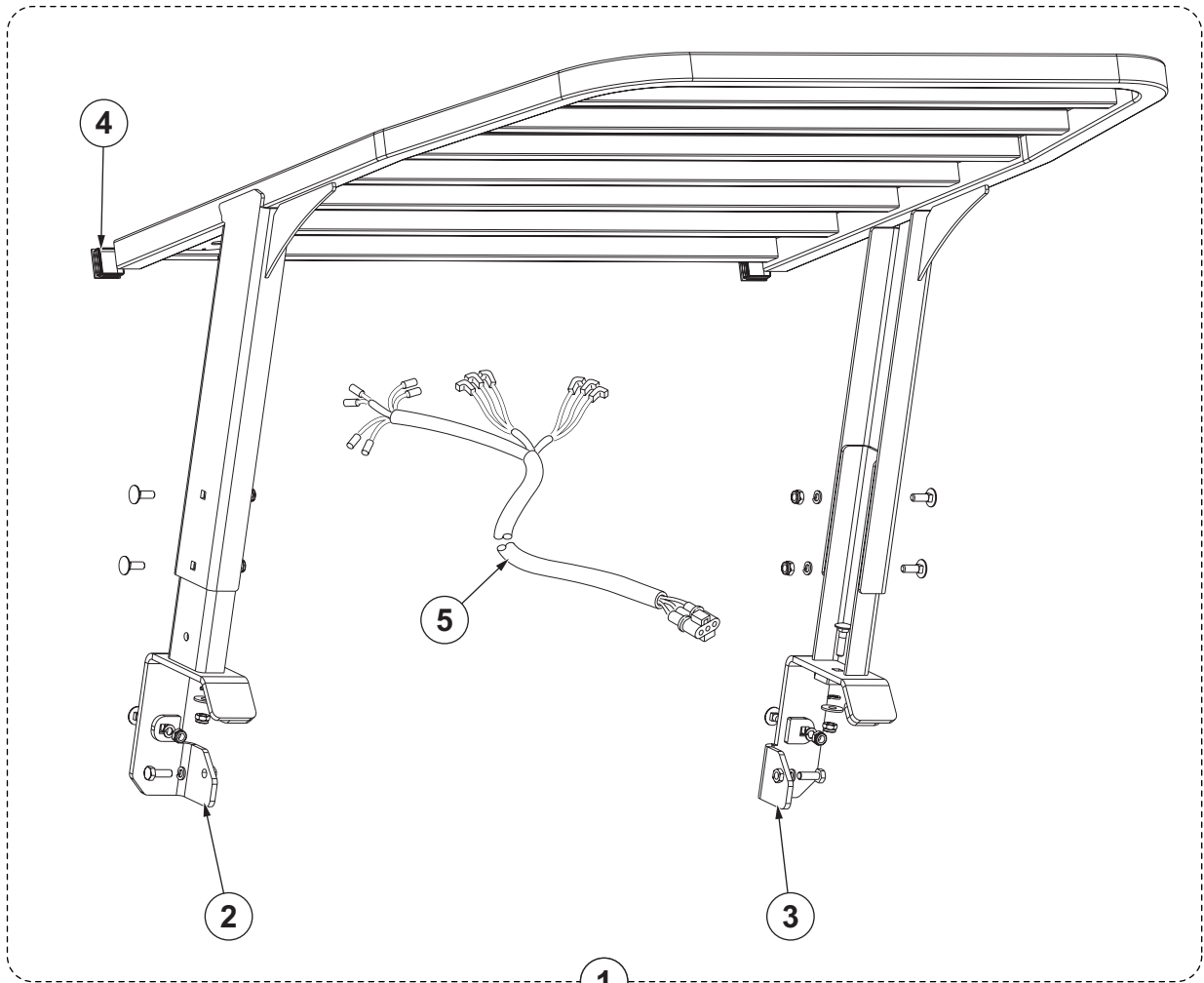
OPTIONALS, ACCESSORIES



## OPTIONALS, ACCESSORIES

KIT	ITEM	REF. NO.	QTY	DESCRIPTION	NOTE
	1*	1466890000	1	DUSTGUARD KIT	(1466900000) INSTALLATION INSTRUCTIONS
	2	1465647000	1	PUMP WATER KIT	
	3	9100000860	1	FILTER WATER SIP	
	4	9100000861	1	NET WATER FILTER REINFORCED SIP	
	5	1465355000	1	CAP SOLUTION TANK KIT	
	6	33019324	2	NOZZLE SPRAY KIT	
	7	33020865	2	ADAPTER SPRAY KIT	
	8	1467245000	2	CHECK VALVE FILTER SIP	
	9	1467246000	2	NOZZLE SPRAY DIAM 0.33 S.S. SIP	
	9	1467247000	2	NOZZLE SPRAY 0.53 BRASS SIP	
	10	1467248000	2	RING NUT QUICK COUPLING SIP	
	11	1467177000	2	SUPPORT GALV. F NOZZLE SIP	
	12	1467178000	1	HOSE F DUSTGUARD KIT	
	13	1467179000	1	ELBOW Y D.6-8-6 SET	
	14	1467180000	2	FITTING STRAIGHT REDUCER SIP	

OPTIONALS, ACCESSORIES

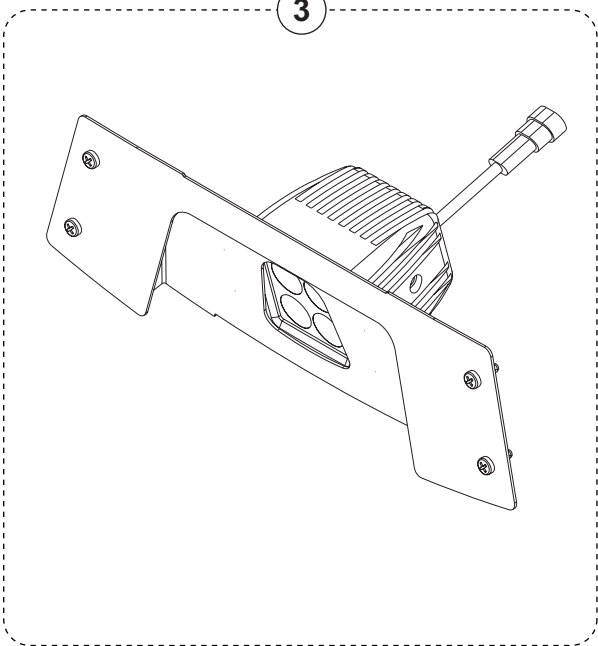


**OPTIONALS, ACCESSORIES**

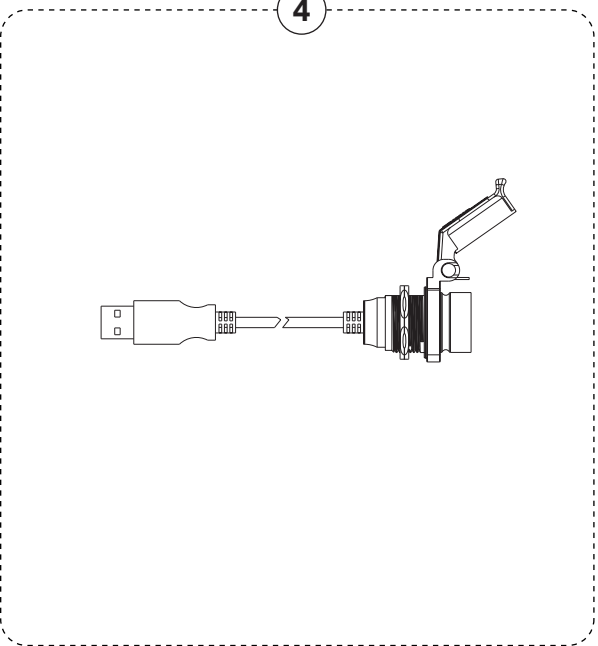
KIT	ITEM	REF. NO.	QTY	DESCRIPTION	NOTE
	1*	1466096000	1	GUARD OVERHEAD KIT	(1466894000) INSTALLATION INSTRUCTIONS
	2	1466924000	1	SUPPORT RT F OHG MET. BLACK SIP	
	3	1466926000	1	SUPPORT LT F OHG MET. BLACK SIP	
	4	1467084000	1	CAP SQUARE 40X40 2 PCS SET	
	5	1467556000	1	HARNESS F OHG SIP	
	6*	1466886000	1	CANOPY FOR OHG KIT	(1466895000) INSTALLATION INSTRUCTIONS

OPTIONALS, ACCESSORIES

3



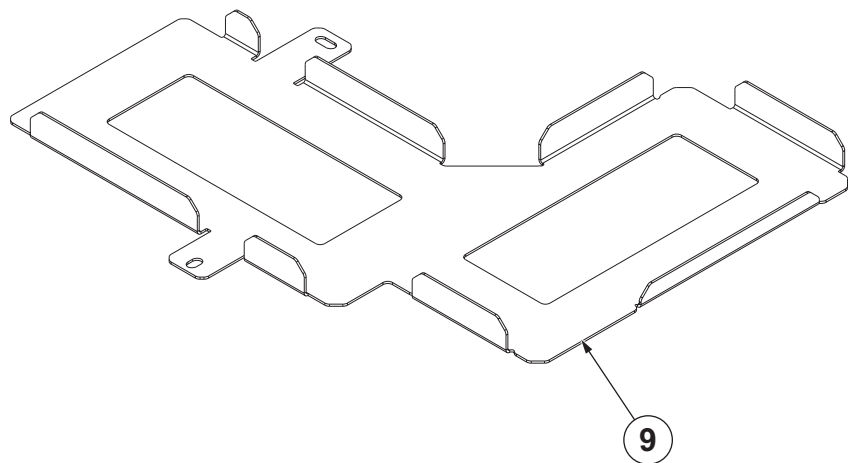
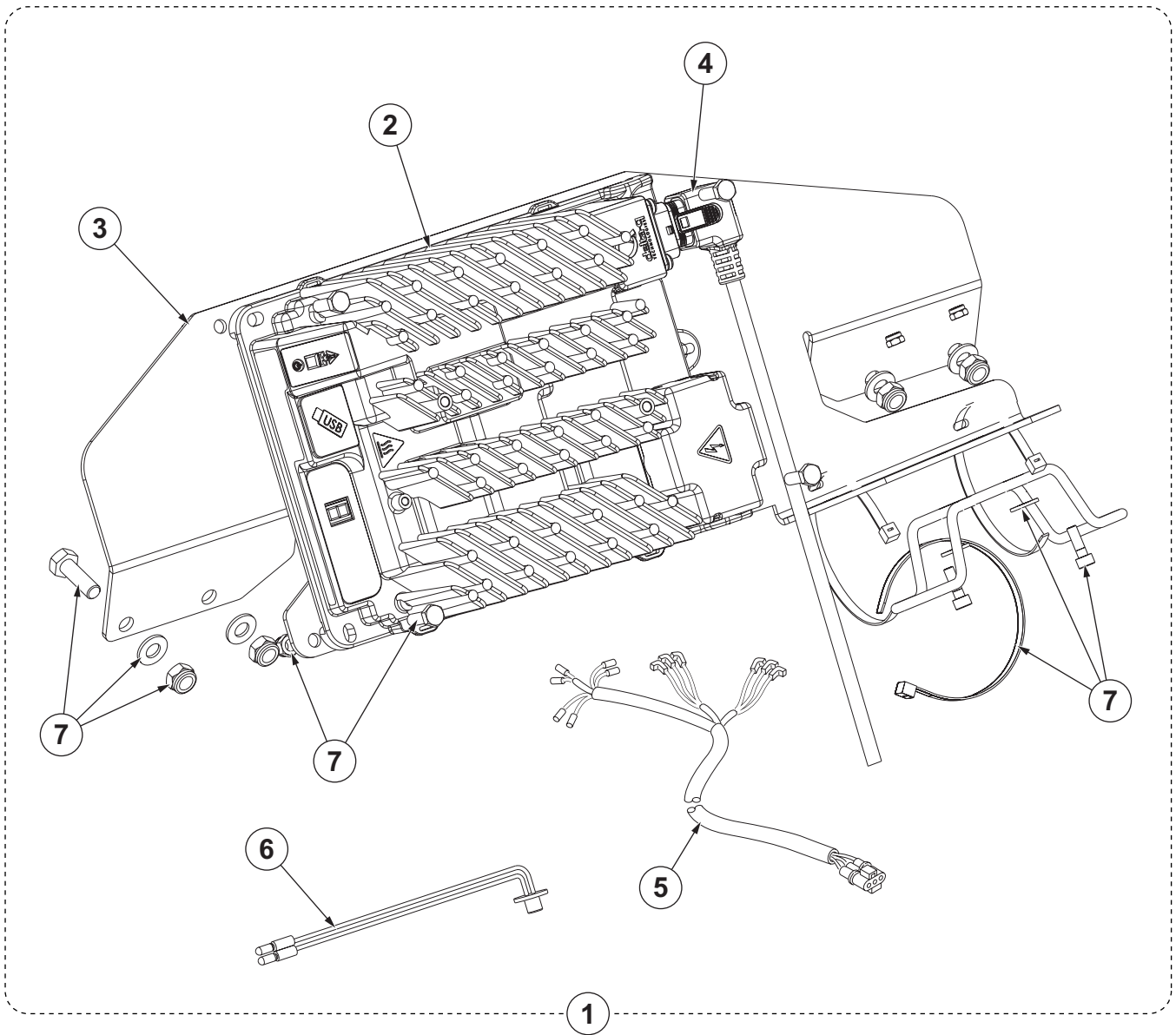
4



**OPTIONALS, ACCESSORIES**

KIT	ITEM	REF. NO.	QTY	DESCRIPTION	NOTE
	3*	1466889000	1	LIGHT FRONT KIT	(1466899000) INSTALLATION INSTRUCTIONS
	4*	1466247000	1	USB PORT KIT	(1466896000) INSTALLATION INSTRUCTIONS
	[5]*	1466947000	1	CABLE POWER SUPPLY UK L.3000MM SIP	

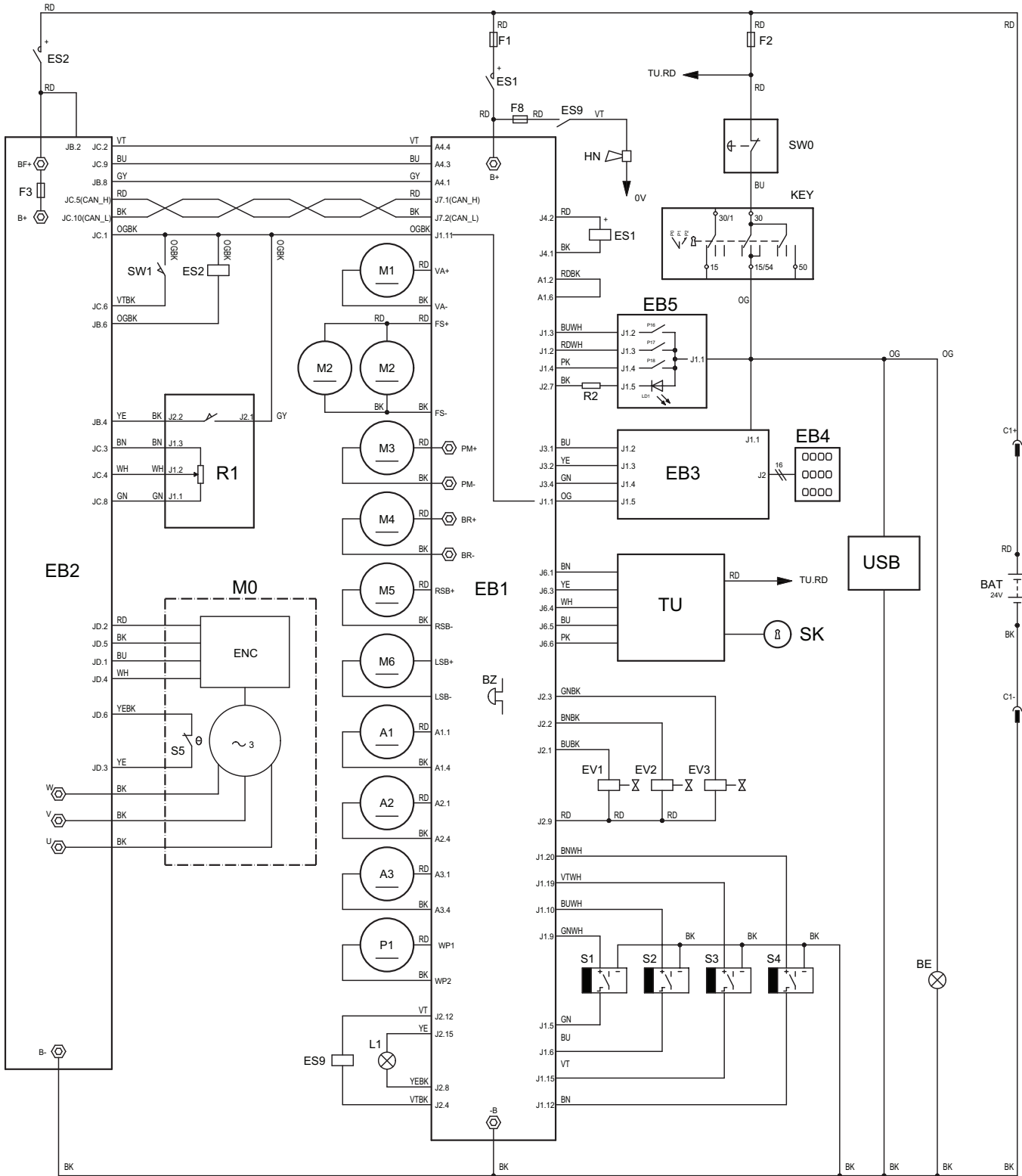
OPTIONALS, ACCESSORIES



**OPTIONALS, ACCESSORIES**

KIT	ITEM	REF. NO.	QTY	DESCRIPTION	NOTE
	1*	1467307000	1	HYBRID KIT US VERSION	(1466903000) INSTALLATION INSTRUCTIONS
	2	56383856	1	CHARGER-ONBOARD 24V 650W	
	3	1467097000	1	SUPPORT BLACK OBC F HYBRID VERS. SIP	
	4	56383866	1	CORD-AC NEMA IEC320 - DELTAQ	
	5#	1467651000	1	HARNESS F HYBRID VERSION SIP	
	6	1466561000	1	SWITCH W/ CONNECTOR KIT	
	7	1467098000	1	HARDWARE F HYBRID KIT	
	9*	1467092000	1	STOPPER MET. F BATTERIES LPG HYB KIT	

WIRING DIAGRAM BATTERY



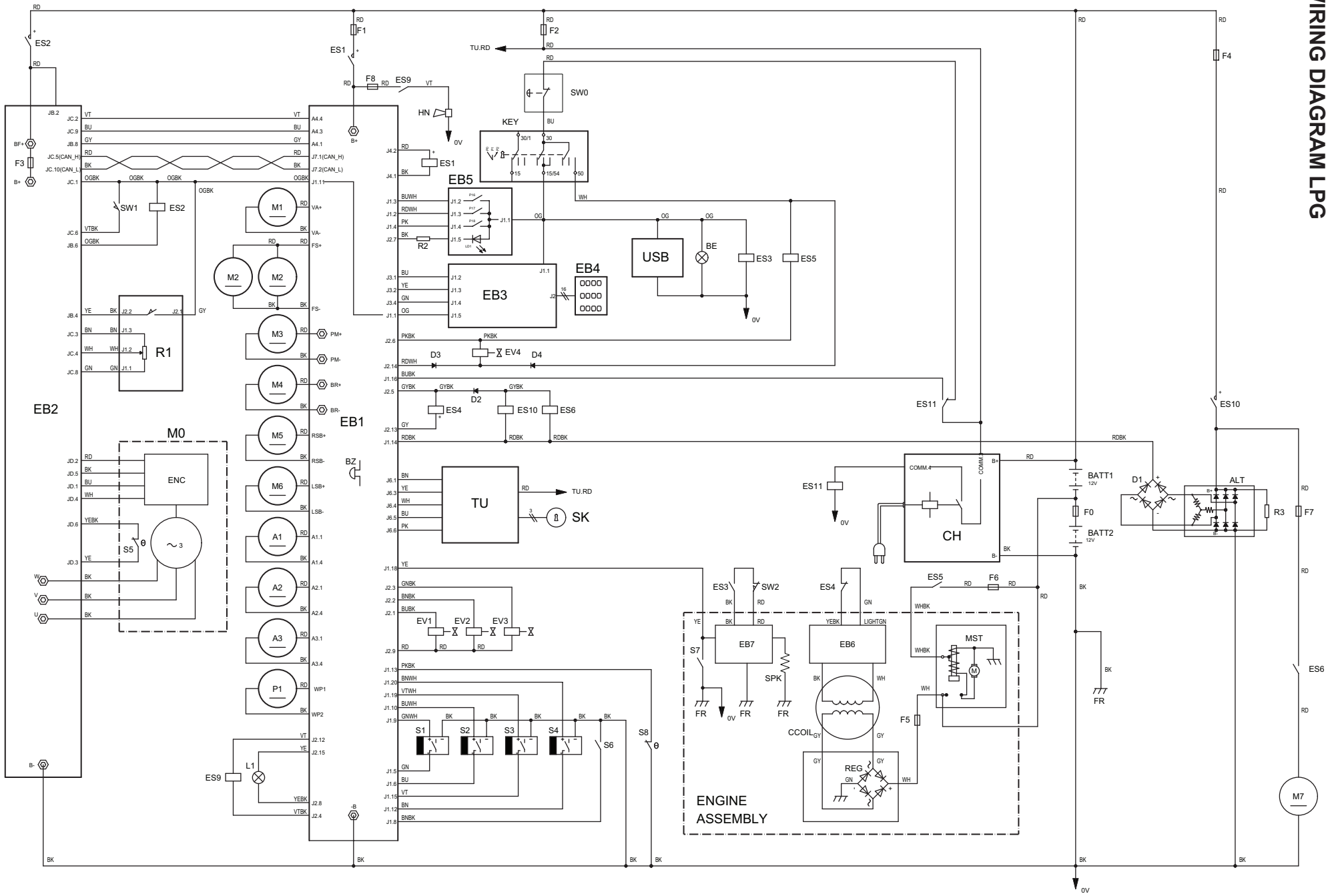
**WIRING DIAGRAM BATTERY**

KEY	REF. NO.	DESCRIPTION	NOTE
A1	1466663000	ACTUATOR LINEAR 24V DC STRK 45MM SIP	
A2	1466663000	ACTUATOR LINEAR 24V DC STRK 45MM SIP	
A3	1466663000	ACTUATOR LINEAR 24V DC STRK 45MM SIP	
BE	1464948000	BEACON KIT	
C1	1467029000	CONNECTOR 175A RED	
C2	1467029000	CONNECTOR 175A RED	
EB1	9100001879	CONTROLLER MAIN MACHINE SIP	
EB2	1466649000	CONTROLLER DRIVE 24V 240A A.C. SIP	
EB3	1466681000	CONTROLLER DISPLAY SIP	
EB4#	1467765000	DASHBOARD CONTROL PANEL BLACK SIP	
EB5#	1467766000	DASHBOARD SIDE CONTR PANEL BLACK SIP	
ES1	1466645000	CONTACTOR 24V 100A SIP	
ES2	1466644000	CONTACTOR 24V 200A SIP	
F1	1466652000	FUSE BOLT DOWN 150A SIP	
F2	1467034000	FUSE BLADE 10A SIP	
F3	1467241000	FUSE BOLT-DOWN 160A SIP	
HN	1467032000	HORN 24V SIP	
KEY	33020442	KEY STARTER SWITCH W/SPARE KEY KIT	
L1	1466889000	LIGHT FRONT KIT	
M0	1466461000	MOTOR AC 24v 1.2kw	
M1	1467040000	FAN RADIAL 24V SIP	
M2	1466314000	MOTOR FILTER SHAKER 12W 24V KIT	
M3	1466712000	GEARCASE HYDRAULIC 24V 800W 1CC SIP	
M4	1466946000	MOTOR 24V 1250W 3800 RPM IP44 MP80L KIT	
M5	1466668000	MOTOR GEARBOX 24VDC 120W RT B SIP	
M6	1466674000	MOTOR GEARBOX 24VDC 120W LT B SIP	
R1	1466589000	PEDAL ELECTRONIC ACCELERATOR KIT	
S1	1467062000	SWITCH BACK UP PROXIMITY SIP	
S2	1467062000	SWITCH BACK UP PROXIMITY SIP	
S3	1467062000	SWITCH BACK UP PROXIMITY SIP	
S4	1467062000	SWITCH BACK UP PROXIMITY SIP	
SW0	1466683000	SWITCH EMERGENCY KIT	
SW1	1467028000	SEAT SIP	
USB	1466247000	USB PORT KIT	

KEY	COLOUR
BK	BLACK
BU	LIGHT BLUE
BN	BROWN
GN	GREEN
GY	GREY
OG	ORANGE

KEY	COLOUR
PK	PINK
RD	RED
VT	VIOLET
WH	WHITE
YE	YELLOW

WIRING DIAGRAM LPG



**WIRING DIAGRAM LPG**

KEY	REF. NO.	DESCRIPTION	NOTE
A1	1466663000	ACTUATOR LINEAR 24V DC STRK 45MM SIP	
A2	1466663000	ACTUATOR LINEAR 24V DC STRK 45MM SIP	
A3	1466663000	ACTUATOR LINEAR 24V DC STRK 45MM SIP	
ALT	1466804000	ALTERNATOR PMG 24V 3.8KW SIP	
BE	1464948000	BEACON KIT	
CH	1467307000	HYBRID KIT US VERSION	
EB1	9100001879	CONTROLLER MAIN MACHINE SIP	SEE TSB-FC-2017-064
EB2	1466649000	CONTROLLER DRIVE 24V 240A.A.C. SIP	
EB3	1466681000	CONTROLLER DISPLAY SIP	
EB4#	1467765000	DASHBOARD CONTROL PANEL BLUE SIP	
EB5#	1467766000	DASHBOARD SIDE CONTR PANEL BLACK SIP	
EV4	1465633000	SOLENOID VALVE LPG/CNG 12V 8W KIT	
ES1	1466645000	CONTACTOR 24V 100A SIP	
ES2	1466644000	CONTACTOR 24V 200A SIP	
F1	1466652000	FUSE BOLT DOWN 150A SIP	
F2	1467034000	FUSE BLADE 10A SIP	
F3	1467241000	FUSE BOLT-DOWN 160A SIP	
F4	1466652000	FUSE BOLT DOWN 150A SIP	
HN	1467032000	HORN 24V SIP	
KEY	33020442	KEY STARTER SWITCH W/SPARE KEY KIT	
L1	1466889000	LIGHT FRONT KIT	
M0	1466461000	MOTOR AC 24v 1.2kw	
M1	1467040000	FAN RADIAL 24V SIP	
M2	1466314000	MOTOR FILTER SHAKER 12W 24V KIT	
M3	1466712000	GEARCASE HYDRAULIC 24V 800W 1CC SIP	
M4	1466687000	MOTOR 24V 1000W 3800 RPM IP44 MP80L KIT	
M5	1466668000	MOTOR GEARBOX 24VDC 120W RT B SIP	
M6	1466674000	MOTOR GEARBOX 24VDC 120W LT B SIP	
R1	1466589000	PEDAL ELECTRONIC ACCELERATOR KIT	
S1	1467062000	SWITCH BACK UP PROXIMITY SIP	
S2	1467062000	SWITCH BACK UP PROXIMITY SIP	
S3	1467062000	SWITCH BACK UP PROXIMITY SIP	
S4	1467062000	SWITCH BACK UP PROXIMITY SIP	
S6	33022290	SWITCH PRESSURE 1.1 BAR SIP	
SW0	1466683000	SWITCH EMERGENCY KIT	
SW1	1467028000	SEAT SIP	
USB	1466247000	USB PORT KIT	

KEY	COLOUR
BK	BLACK
BU	LIGHT BLUE
BN	BROWN
GN	GREEN
GY	GREY
OG	ORANGE

KEY	COLOUR
PK	PINK
RD	RED
VT	VIOLET
WH	WHITE
YE	YELLOW

**RECOMMENDED SPARE PARTS**

REF. NO.	QTY	DESCRIPTION	SW5500 B	SW5500 LPG	
<b>NORMAL WEAR</b>					
1466255000	1	WHEEL NON MARKING D300X85	.	.	
1466587000	1	WHEEL FOAMED 4.00-8 WITH DRUM KIT	.	.	
1466588000	1	WHEEL SOLID 4.00-8 NON MARK DRUM KIT	.	.	
1466606000	1	SKIRT FRONT OVERM BLACK RUBBER PKD	.	.	
1466613000	1	SKIRT REAR PRIMARY BLACK RUBBER PKD	.	.	
1466614000	1	SKIRT LT SIDE BLACK RUBBER PKD	.	.	
1466616000	1	SKIRT REAR RECYCLING BLACK RUBBER PKD	.	.	
1466619000	1	SKIRT RT SIDE BLACK RUBBER PKD	.	.	
1466670000	1	BROOM SIDE 302X500 PPL 1.5 BLACK	.	.	
1466860000	1	WHEEL SOLID 4.00-8 DRUM KIT	.	.	
1466936000	1	BROOM SIDE 302X500 MIX STEEL	.	.	
1467066000	1	SHOE BRAKE PKD	.	.	
1467069000	1	ROLLER SIDE BLADE PKD	.	.	
1467076000	1	BROOM SIDE 302X500 MIX 5	.	.	
1467218000	1	FILTER AIR PETROL ENGINE	.	.	
1467083000	1	CARBON BRUSH 2 PCS SET	.	.	
L08603949	1	CARBON BRUSHES SET 4 PCS	.	.	
<b>ORDINARY MAINTENANCE</b>					
33020442	1	KEY STARTER SWITCH W/SPARE KEY KIT	.	.	
33022290	1	SWITCH PRESSURE 1.1 BAR PKD	.	.	
33023192	1	GASKET MOTOR VACUUM PKD	.	.	
44905699	1	BEARING BALL 6001 2RS PKD	.	.	
1465350000	1	ADAPTER F LPG TANK KIT	.	.	
1465633000	1	SOLENOID VALVE LPG/CNG 12V 8W KIT	.	.	
1466297000	1	RECTIFIER BRIDGE 180A	.	.	
1466314000	1	MOTOR FILTER SHAKER 12W 24V KIT	.	.	
1466426000	1	RESISTOR 100 OHM 25W	.	.	
1466461000	1	MOTOR AC 24v 1.2kw	.	.	
1466474000	1	GEAR BOX F MOTORWHEEL TV-130 1/28.4	.	.	
1467192000	1	SENSOR SPEED	.	.	
1466552000	1	SEAL HYDRAULIC CYLINDER 25/16/120 KIT	.	.	
1466553000	1	SEAL HYDRAULIC CYLINDER 40/25/470 KIT	.	.	
1466578000	1	SENSOR TEMPERATURE 90C N/C	.	.	
1466592000	1	ACCELERATOR ELECTRONIC PKD	.	.	
1467191000	1	MOTORWHEEL TV-130 24V AC 1.2KW KIT	.	.	
1466599000	1	PINION Z8 5/8X3/8 MET. KIT	.	.	
1466600000	1	CHAIN ISO 10B-1 57 PITCHES 2 LINKS PKD	.	.	
1466602000	1	PLATE GALV. F FRONT SKIRT KIT	.	.	
1466612000	1	WIRE F FRONT SKIRT RAISING PKD	.	.	
1466644000	1	CONTACTOR 24V 200A PKD	.	.	
1466645000	1	CONTACTOR 24V 100A PKD	.	.	
1467551000	1	HARNESS STEERING COLUMN PKD	.	.	
9100001879	1	CONTROLLER MAIN MACHINE	.	.	
1466649000	1	CONTROLLER DRIVE 24V 240A A.C. PKD	.	.	
1466652000	1	FUSE BOLT DOWN 150A PKD	.	.	
1466653000	1	PEDAL F BRAKE KIT	.	.	
1466655000	1	WIRE F RT BRAKE PKD	.	.	
1466656000	1	WIRE F LT BRAKE PKD	.	.	
#	1467598000	1	TIE ROD PRIMARY BRAKE SIP	.	.
	1466663000	1	ACTUATOR LINEAR 24V DC STRK 45MM PKD	.	.
	1466668000	1	MOTOR GEARBOX 24VDC 120W RT B PKD	.	.
	1466674000	1	MOTOR GEARBOX 24VDC 120W LT B PKD	.	.
#	1467765000	1	DASHBOARD CONTROL PANEL BLACK SIP	.	.
	1466681000	1	CONTROLLER DISPLAY PKD	.	.
	1466691000	1	GEAR BOX 7.5/1 71 B14 PKD	.	.
	1466697000	1	TIE-ROD METALLIC F BROOM SPRING PKD	.	.

**RECOMMENDED SPARE PARTS**

REF. NO.	QTY	DESCRIPTION	SW5500 B	SW5500 LPG
<b>EXTRAORDINARY MAINTENANCE</b>				
1466701000	1	KNOB LOBES M10 F W/ ORANGE CAP PKD	.	.
1466712000	1	GEARCASE HYDRAULIC 24V 800W 1CC PKD	.	.
1466723000	1	CYLINDER HYDRAULIC 25/16/120 CPL KIT	.	.
1466724000	1	BLOCK PLASTIC F LIFTING ARM GUIDE PKD	.	.
1466778000	1	REPAIR SOLENOID VALVE LPG PKD	.	.
1466790000	1	CYLINDER HYDRAULIC 40/25/470 CPL KIT	.	.
1466793000	1	FAN AXIAL 24VDC 170W D.225 PKD	.	.
1466804000	1	ALTERNATOR PMG 24V 3.8KW PKD	.	.
1466814000	1	ENGINE GX270 MODIFIED F LPG KIT	.	.
1466815000	1	CARBURETOR F LPG ENGINE KIT	.	.
1466827000	1	FITTINGS F LPG SOLENOID VALVE KIT	.	.
1467483000	1	HOSES LPG REGULATOR KIT	.	.
1466856000	1	LEVER F FAN HOLDER BLOCK KIT	.	.
1466859000	1	HUB F SIDE BROOM PKD	.	.
1466861000	1	CAM PLASTIC F HOPPER POSITIONING KIT	.	.
1466862000	1	GASKET D BULB RUBBER L.2020MM PKD	.	.
1466879000	2	BRACKET GALV. F FILTER SHAKER PKD	.	.
1466946000	1	MOTOR 24V 1250W 3800 RPM IP44 MP80L KIT	.	.
1466687000	1	MOTOR 24V 1000W 3800 RPM IP44 MP80L KIT	.	.
1467009000	2	SPRING 1X11.5 4 PCS SET	.	.
1467023000	1	HUB LEFT MAIN BROOM PKD	.	.
1467024000	1	SPRING PKD	.	.
1467030000	1	BEARING BALL 6003 2RS PKD	.	.
1467034000	1	FUSE BLADE 10A PKD	.	.
1467036000	2	KNOB LOBES M10 FEMALE PKD	.	.
1467039000	1	SPRING TRACTION CARBON STEEL PKD	.	.
1467040000	1	FAN RADIAL 24V PKD	.	.
1467042000	1	HATCH RUBBER PKD	.	.
1467046000	1	SPRING BRAKE PKD	.	.
1467051000	1	REGULATOR LPG T60 PKD	.	.
1467054000	1	VALVE BLOCK PKD	.	.
1467056000	1	HUB MAIN BROOM PKD	.	.
1467062000	2	SWITCH BACK UP PROXIMITY PKD	.	.
1467063000	1	VALVE SECURITY 400PSI PKD	.	.
1467070000	1	PIN D.10 LOCKING BRUSH PKD	.	.
1467071000	1	SPRING PKD	.	.
1467209000	1	VALVE FLOW CONTROL 5L/MIN 1/4 GAS	.	.
1467210000	1	SOLENOID 24V 18W N-H13	.	.
1467211000	1	CARTRIDGE SOLENOID VALVE 4/2	.	.
1467212000	1	CARTRIDGE SOLENOID VALVE 4/3	.	.
1467213000	1	CAP PRESSURE D19	.	.
1467214000	1	CAP F MP80L MOTOR BRUSHES	.	.
1467215000	1	CAP F MOTOR BRUSHES	.	.
1467216000	1	COIL IGNITION PETROL ENGINE COMPLETE	.	.
1467217000	1	COVER F AIR FILTER BOX	.	.
1467219000	1	GASKET MUFFLER ENGINE PKD	.	.
1467220000	1	GASKET EXHAUST PIPE ENGINE PKD	.	.
1467221000	1	MOTOR STARTER 12V 0.6KW PETROL ENGINE	.	.
1467222000	1	GUARD F MUFFLER ENGINE PKD	.	.
1467223000	1	CAP W/LUB.OIL GAUGE PETROL ENGINE	.	.
1467224000	1	CONTROL UNIT F PETROL ENGINE CARBURETOR	.	.
1467241000	1	FUSE BOLT-DOWN 160A	.	.
1467242000	1	MOTOR ELECTRIC 24V 800W	.	.
1467243000	1	STUD BOLT M/F 1/4 BSP ES. 19 PKD	.	.
9098329000	1	HINGES KIT	.	.

**OPTIONALS, ACCESSORIES**

REF. NO.	QTY	DESCRIPTION	SW5500 B	SW5500 LPG
1464954000	1	BELTS SAFETY KIT	•	•
1464960000	1	ARMREST LT SEAT KIT	•	•
33019556	1	ARMREST RT SEAT KIT	•	•
1466588000	2	WHEEL SOLID 4.00-8 NON MARK DRUM KIT	•	•
1466860000	2	WHEEL SOLID 4.00-8 DRUM KIT	•	•
1466936000	1	BROOM SIDE 302X500 MIX STEEL	•	•
1467076000	1	BROOM SIDE 302X500 MIX 5	•	•
1465730000	1	BROOM MAIN 360X850 8R MIX STEEL WHITE	•	•
1465731000	1	BROOM MAIN 360X850 8R PPL 1 BLACK	•	•
1467173000	1	FILTER PANEL POLYESTER ULTRA WEB	•	•
80564100	4	BATT. 6V-240AH GEL MONOBLOC	•	
80565000	4	BATT. 6V-255AH WET SEMI T MONOBLOC	•	
80562442	1	BATT.24V-420AH GEL SINGLE CELLS IN TRAY	•	
80565300	1	BATTERY TRACTION 24V 330 Ah GEL	•	
80562448	1	BATTERY TRACTION 24V 480 AH - 8 EPZS 480	•	
1466420000	1	BATTERY FIXING 480AH BATTERY TRAY KIT	•	
80565200	1	BATTERY TRACTION 24V 360 AH	•	
1465750000	1	BATTERY FIXING 360AH BATTERY TRAY KIT	•	
1466891000	1	GUARD RIGHT SIDE BROOM KIT	•	•
1466892000	1	GUARD LEFT SIDE BROOM KIT	•	•
1466890000	1	DUSTGUARD KIT	•	•
1466096000	1	GUARD OVERHEAD KIT	•	•
1466886000	1	CANOPY FOR OHG KIT	•	•
1466889000	1	LIGHT FRONT KIT	•	•
1466247000	1	USB PORT KIT	•	•
1466947000	1	CABLE POWER SUPPLY UK L.3000MM PKD	•	•
# 1467307000	1	HYBRID KIT US VERSION		•
1467093000	1	STOPPER MET. F BATTERIES D HYB KIT	•	•
1467092000	1	STOPPER MET. F BATTERIES LPG HYB KIT	•	•



9435 Winnetka Avenue North  
Brooklyn Park, MN 55445  
[www.advance-us.com](http://www.advance-us.com)  
Phone: 800-989-2235  
Fax: 800-989-6566  
©2018 Nilfisk, Inc.

