



Electronic Service Manuals

This electronic document is provided as a service to our customers. We do not create the contents of the information contained in this document. Should you have detailed questions pertaining to the information contained in this document, you may contact Michco, or the manufacturer which provided the original information in this electronic deliverable. Michco's only part in this electronic deliverable was the electronic assembly process. By providing this manual online we are not guaranteeing parts availability.

You may contact Michco through the following methods:

Phone (517) 484-9312

2011 N. High St. -- Lansing, Michigan -- 48906

Fax: (517) 484-9836

Email: CustomerService@Michco.com

Website: www.Michco.Com

Order Parts online at:

www.Michco.Com

Directly to Parts & Service:

By Email: **CustomerService@Michco.com**

By Fax: (517) 484-9836

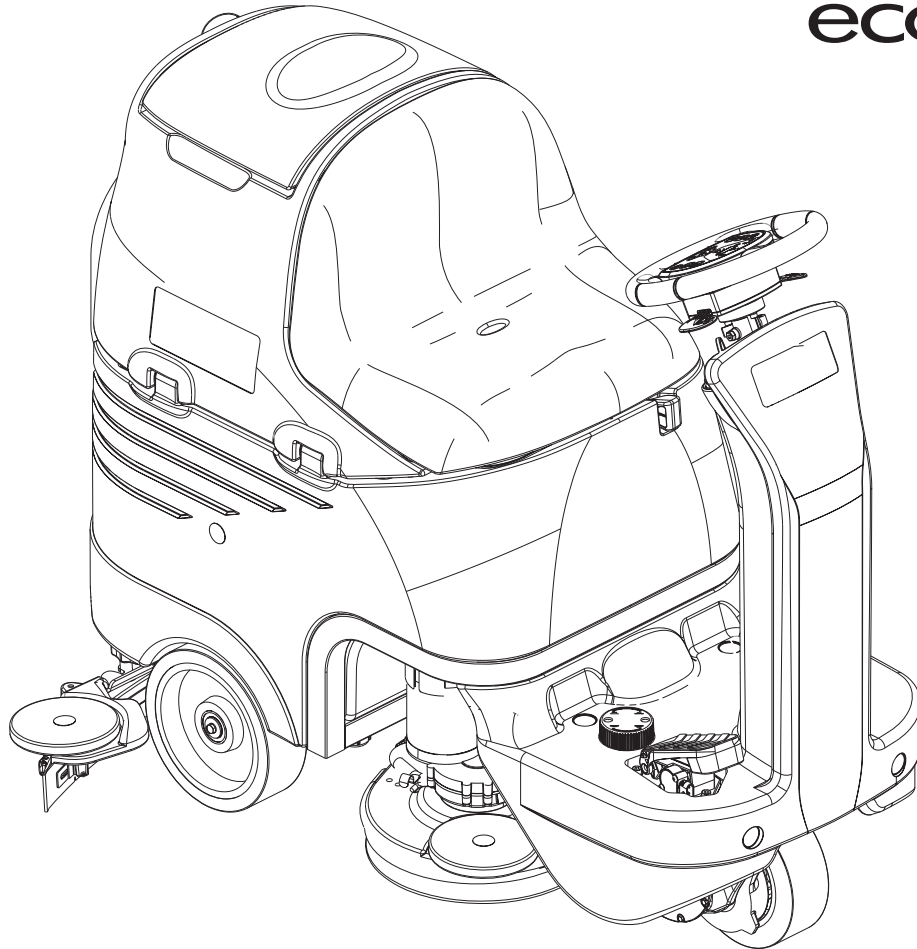
By Voice: (517) 484-9312

Serving the Cleaning Industry Since 1922

Notice: All copyrighted material remains property of original owners, all trademarks are property of respective owners. Manuals are subject to Manufacturer's reproduction limitations. Originals or reproductions were provided by manufacturers through a request. We make no warranty as to the correctness of information provided in this document and you assume all risk. By placing these manuals on line we are not declaring our corporation to be an manufacturer authorized dealer or provider, please check our web site for authorized manufacturers we represent.

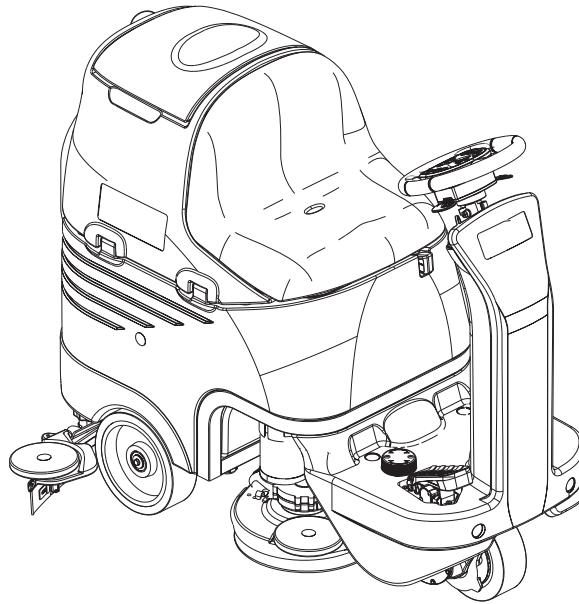
SC3000 26" Disc SC3000 28" Cyl.

ecoflex™



PARTS LIST

Advance models: 9087266020 - 26" Disc - Charger
9087267020 - 26" Disc - EcoFlex™ + Charger
9087268020 - 28" Cyl. - Charger
9087269020 - 28" Cyl. - EcoFlex™ + Charger



DESCRIPTION

PLAN

GENERAL VIEW	2 - 3
SOLUTION TANK	4 - 5
RECOVERY TANK	6 - 7
COLUMN SYSTEM	8 - 9
STEERING ASSY	10 - 11
STEERING WHEEL SUPPORT ASSEMBLY	12 - 13
DRIVE WHEEL ASSEMBLY	14 - 15
CHASSIS SYSTEM	16 - 17
SOLUTION SYSTEM	18 - 19
ECOFLEX™	20 - 21
SQUEEGEE RAISING ASSEMBLY	22 - 23
SQUEEGEE SYSTEMS	24 - 25
MAGIC DECK ASSEMBLY	26 - 27
BRUSHES DECK SYSTEM	28 - 29
MAGIC DECK ASSEMBLY CYL. BRUSH	30 - 31
CYL. BRUSHES SYSTEM	32 - 35
ELECTRICAL COMPONENTS	36 - 37
BATTERY CHARGER	38 - 39
ACCESSORIES	40 - 45
ELECTRICAL DIAGRAM	46 - 47
RECOMMENDED SPARE PARTS	48 - 49

WHEN ORDERING PARTS

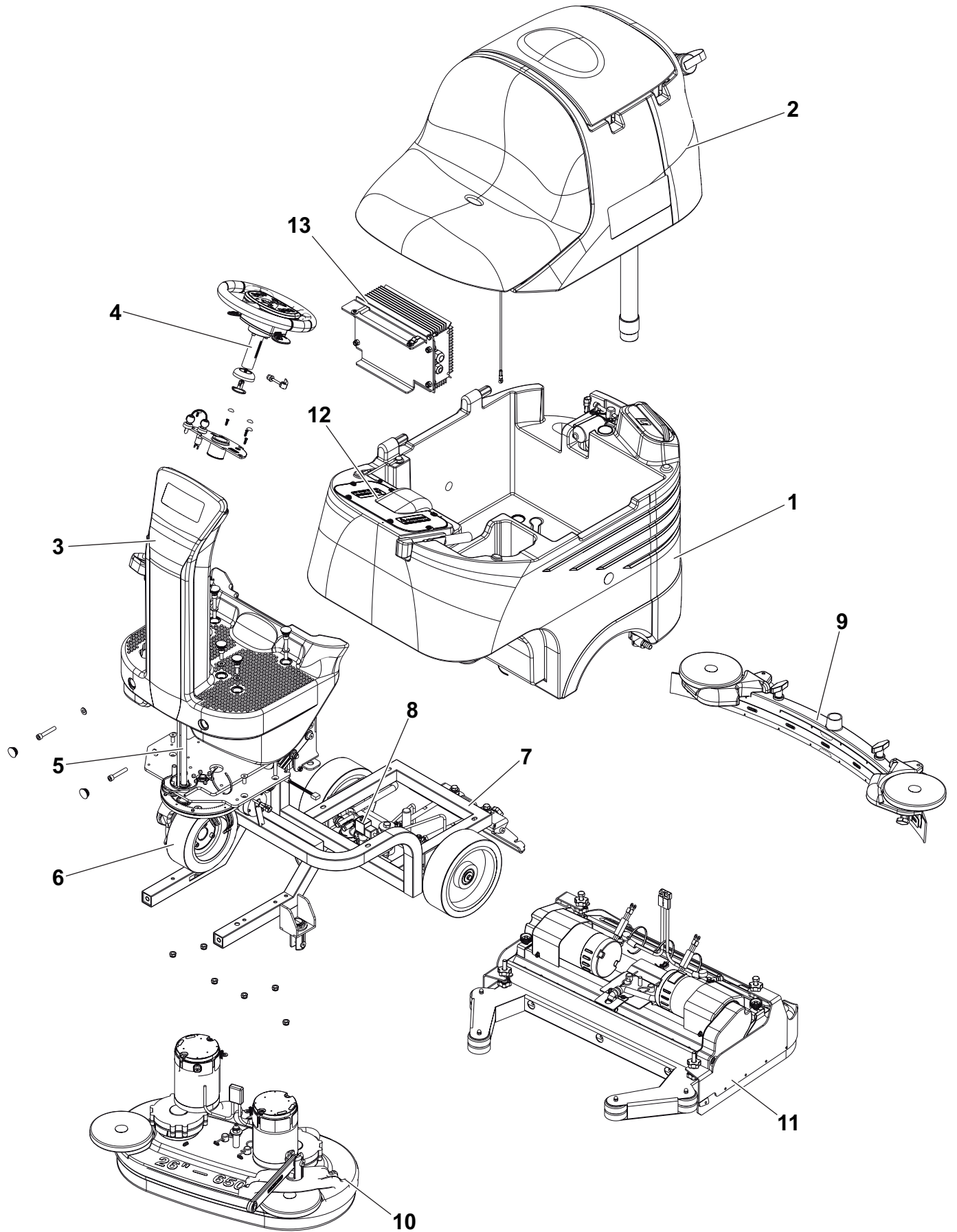
- * Use the 8, 9 or 10 digit numbers from the "Ref. No." columns in this parts list.
- * Specify the model and serial number of the machine.
- * Use the space below to record the model and serial number for future reference.

Model _____ Serial No. _____

*** = Optional**

= Modified item No. or New item No.

[] = Not shown



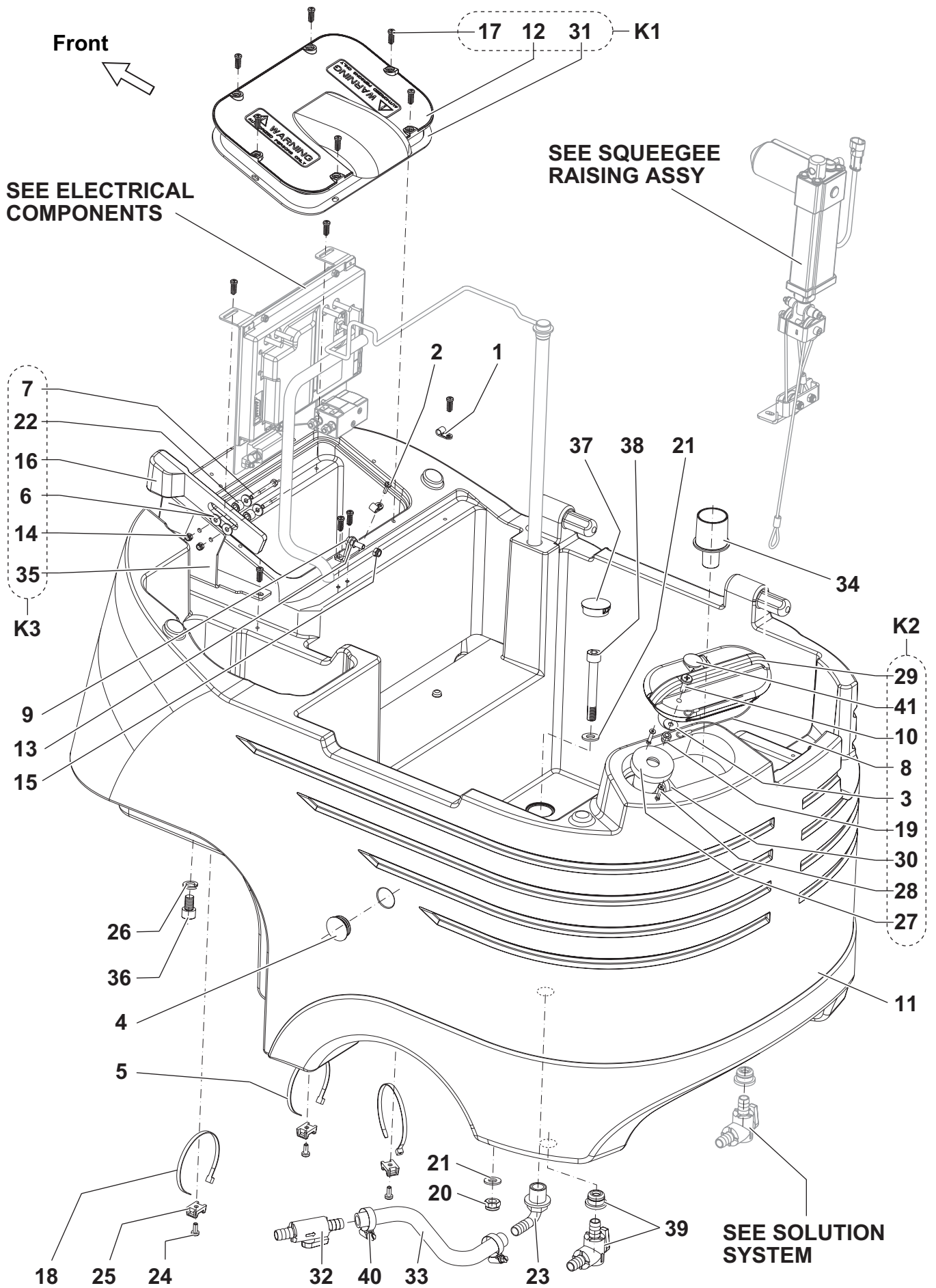
2010-10

GENERAL VIEW

SC3000 26" Disc - SC3000 28" Cyl.

3

Item No.	Ref. No.	Qty	Description
1		1	SOLUTION TANK
2		1	RECOVERY TANK
3		1	COLUMN SYSTEM
4		1	STEERING ASSY
5		1	STEEERING WHEEL SUPPORT ASSEMBLY
6		1	DRIVE WHEEL ASSEMBLY
7		1	CHASSIS SYSTEM
8		1	SOLUTION SYSTEM
9		1	SQUEEGEE SYSTEMS
10		1	BRUSHES DECK SYSTEM
11		1	CYL. BRUSHES SYSTEM
12		1	ELECTRICAL COMPONENTS
13		1	BATTERY CHARGER



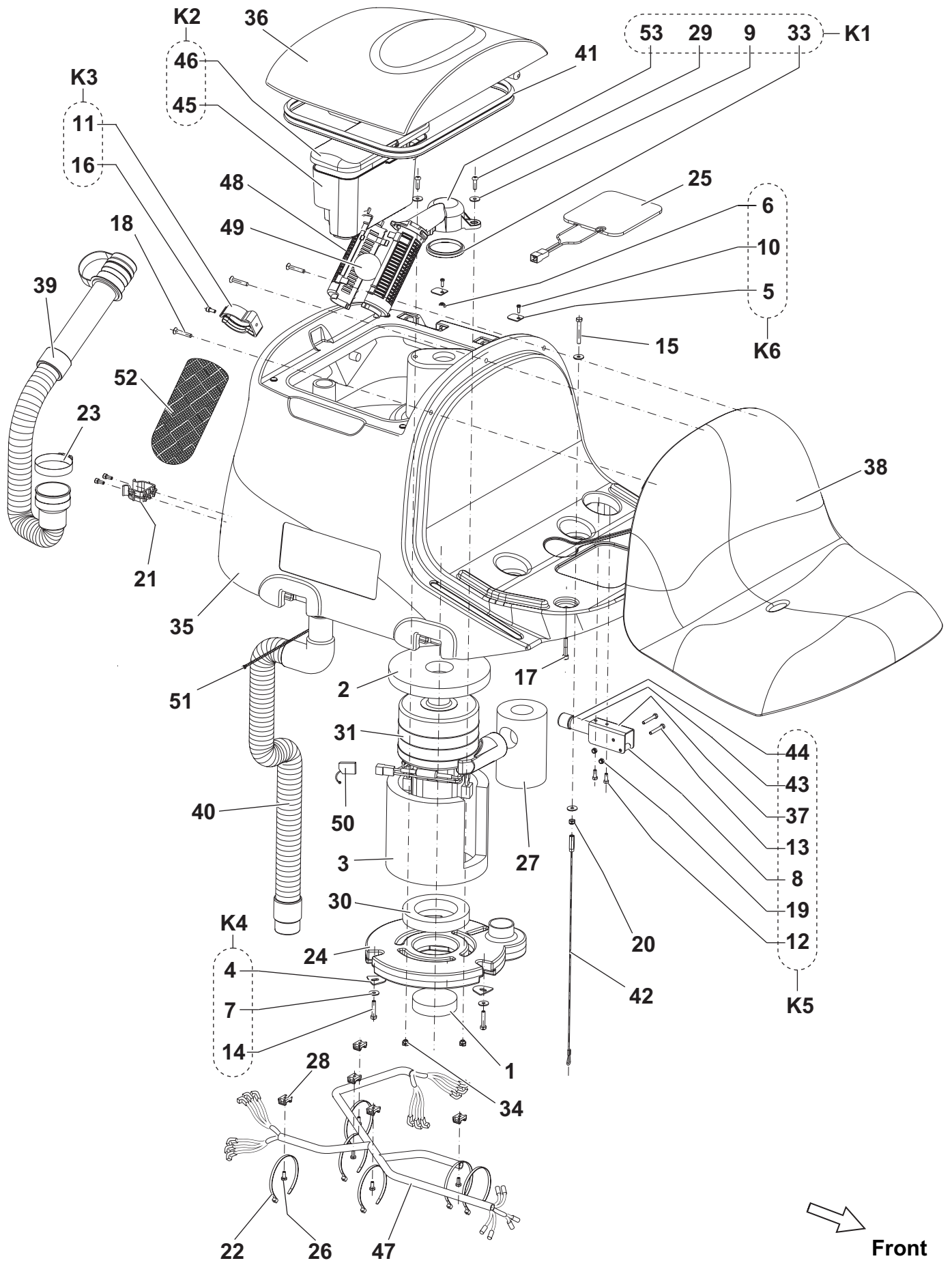
Kit	Item No.	Ref. No.	Qty	Description
K4	1		2	CLAMP D.6 WHITE
K4	2		1	SCREW 3.9X13 UNI6954
K2	3		1	WASHER, FLAT 5x15 XL SS
	4	L08812457	2	CAP TANK
K4	5		1	CLAMP 290X4.8
K3	6		4	WASHER 5X15 UNI6593
K3	7		2	SCREW M5X45 UNI5737
K2	8		1	CABLE OPENING CAP
K4	9		1	SCREW M6X20 UNI5739
K2	10		1	SCR, PAN PHIL M5x16 SS
	11	9097797000	1	TANK SOLUTION RAL 7016
K1	12		1	COVER ELECTRIC COMPONENTS
K4	13		1	NUT HEX M6 UNI5589
K3	14		2	NUT SELF L. M5 UNI7474
K4	15		1	NUT SELF L. M6 UNI7474
K3	16		1	LEVER BATTERY CONNECTOR
K1-4	17		11	SCREW CYL HD 5X16 SELF L.
K4	18		2	CLAMP BLACK 4,8x200
K2	19		1	NUT, HEX METRIC M5 SS
K4	20		4	NUT SELF L. M10 UNI7474
K4	21		8	WASHER M10 UNI6592
K3	22		1	SPACER 6,5X12X10
	23	909 6087 000	3	ELBOW CURVED 90. M 1/2
K4	24		3	SCREW M5X12 UNI7687
K4	25		3	HOLDER.FLAT TIE
K4	26		2	WASHER M10 UNI1751B
K2	27	9097290000	1	HOSE FILLING
K2	28		2	SCREW 3.9X22 UNI6955 SS
K2	29		1	CAP SOLUTION TANK
K2	30		1	SUPPORT HOSE FILLING
K1	31		1	GASKET ELECTR.COVER
	32	9098173000	1	VALVE 1/2-1/2
	33	9098175000	1	PIPE
	34	9098224000	1	MUFF FRESH WATER
K3	35		1	BRACKET SUPPORT BATTERY
K4	36		2	SCREW M10X16 UNI5931
K4	37		4	CAP BLACK
K4	38		4	SCREW M10X75 UNI5931
	39	9097626000	1	VALVE ELBOW KIT
K4	40		2	CLAMP 09/12-22
K2	41		1	SCREW CAP 4,8mm
	K1	9098707000	1	COVER ELECTRIC COMPONENTS KIT
	K2	9098709000	1	CAP SOLUTION KIT
	K3	9098710000	1	LEVER BATTERY KIT
	[K4]	9098711000	1	HW KIT SOLUTION TANK

RECOVERY TANK

2010-10

6

SC3000 26" Disc - SC3000 28" Cyl.



Kit	Item No.	Ref. No.	Qty	Description
	1	909 6672 000	1	FILTER
	2	909 6489 000	1	GASKET VACUUM MOTOR
	3	909 6491 000	1	PANEL ACOUSTIC INSULATION
K4	4		3	PLATE VACUUM COVER
K6	5		2	PLATE TANK COVER
K6	6		1	BUSH FLANGED
K4-7	7		5	WASHER 6X18 UNI6592
K5	8		1	SPACER 7X10X19
K1	9		2	WASHER 6X18X1.5 UNI6593
K6	10		2	SCREW CYL HD SELFL 3.9X12
K3	11		1	CLAMP.HOSE D.50
K5	12		2	SCREW M5X14 UNI5739
K5	13		2	SCREW M5X35 UNI5739
K4	14		3	SCREW M6X30 UNI5739
K7	15		1	SCREW M6X45 UNI5739
K3	16		3	SCREW M5X12 UNI5931 SS
K7	17		2	SCREW M6X35 UNI5931
K7	18		3	SCREW M6X35 UNI5933
K5	19		2	NUT SELF L. M5 UNI7474
K7	20		1	NUT SELF L. M6 UNI7474
	21	56407361	1	CLAMP PLASTIC
K7	22		6	CLAMP BLACK 4,8x200
	23	146 0771 000	1	CLAMP
	24	909 6051 000	1	COVER.VACUUM MOTOR
	25	909 6242 000	1	MICROSWITCH
K7	26		5	SCREW M5X12 UNI7687
	27	909 6442 000	1	PIPE.ACOUSTIC INSULATION
K7	28		5	HOLDER.FLAT TIE
K1	29		2	SCREW M6X20 ISO7380 SS
	30	9097555000	1	GASKET VACUUM MOTOR
	31	9097556000	1	MOTOR VACUUM 3ST 24V 420W
	31*	9098455000	1	MOTOR VACUUM 3 STAGE 670W
	[32]	9098456000	1	INSTRUCTIONS INSTALLATION
K1	33		1	GASKET CAGE FLOAT
K7	34		2	NUT JAW M6X6 INOX SS
	35	9097801000	1	TANK RECOVERY RAL 7001
	36	9097802000	1	COVER TANK RAL7001
K5	37		1	SUPPORT SAFETY BRACKET TA
	38	9097858000	1	SEAT
	39	9097935000	1	HOSE DRAIN
	40	9098169000	1	HOSE SUCTION
	41	9098172000	1	GASKET COVER
	42	9098177000	1	CABLE TANK STOP
K5	43		1	BRACKET STOP TANK
K5	44		1	CAP D.25 BLACK
K2	45		1	TRAY DEBRIS
K2	46		1	COVER TRAY DEBRIS
	47	9098235000	1	HARNES RECOVERY TANK
	48	L08812259	2	CAGE.FLOAT CPL
	49	L08812373	1	BALL FLOATING
	50	9098716000	1	BRUSH CARBON KIT
	51	L08066000	1	CLAMP RED
	52*	909 5065 000	1	FILTER ANTIFOAMING
K1	53		1	CAGE FLOAT
	K1	9097681000	1	CAGE FLOAT HOLDER KIT
	K2	9098712000	1	TRAY DEBRIS KIT
	K3	909 6380 000	1	CLAMP KIT
	K4	909 6877 000	1	HARDWARE MOTOR FIXING KIT
	K5	9098713000	1	BRACKET STOP KIT
	K6	9098714000	1	TANK FIXING KIT
	[K7]	9098715000	1	HARDWARE RECOVERY TANK KIT

Kit	Item No.	Ref. No.	Qty	Description
K1	1		1	CLAMP D.6 WHITE
K1	2		1	SCREW 3.9X13 UNI6954
K1	3		7	CAP. BLACK
K1	4		3	SCREW M8X20 UNI5931
K1	5		3	SCREW M10X25 UNI5931
K1	6		2	SCREW M10X60 UNI5931
K1	7		2	SCREW M10X25 UNI5933
K1	8		2	SCREW M10X60 UNI5933
K1	9		2	SCREW M10X75 UNI5931
K1	10		7	NUT SELF L. M10 UNI7474
K1	11		3	WASHER M8 UNI6592
K1	12		7	WASHER M10 UNI6592
K1	13		1	SCREW M8X50 UNI5931 THREA
K1	14		4	CAP SCREW
	15	9097805000	1	FOOTBOARD WITH COLUMN RAL
	16	9097806000	1	PROTECTION STEERING RING
	17	9097934000	1	PEDAL SPEED CONTROL
	18	33005604	1	NUT SELF L. M6 UNI7474
K1	19		1	RING D 40 UNI7436
K1	20		4	SCREW CYL HD 5X16 SELF L.
	21	9097950000	1	FOOTREST
	22	9097957000	1	SPRING FOOTREST
	23	9099051000	1	LABELS KIT 26" DISC - 28" CYL.
	24	33004352	1	SCREW M6X50 UNI5931
	25	33003742	2	WASHER 6X18 UNI6593
[K1]		9098718000	1	HW KIT COLUMN SYSTEM

2010-10

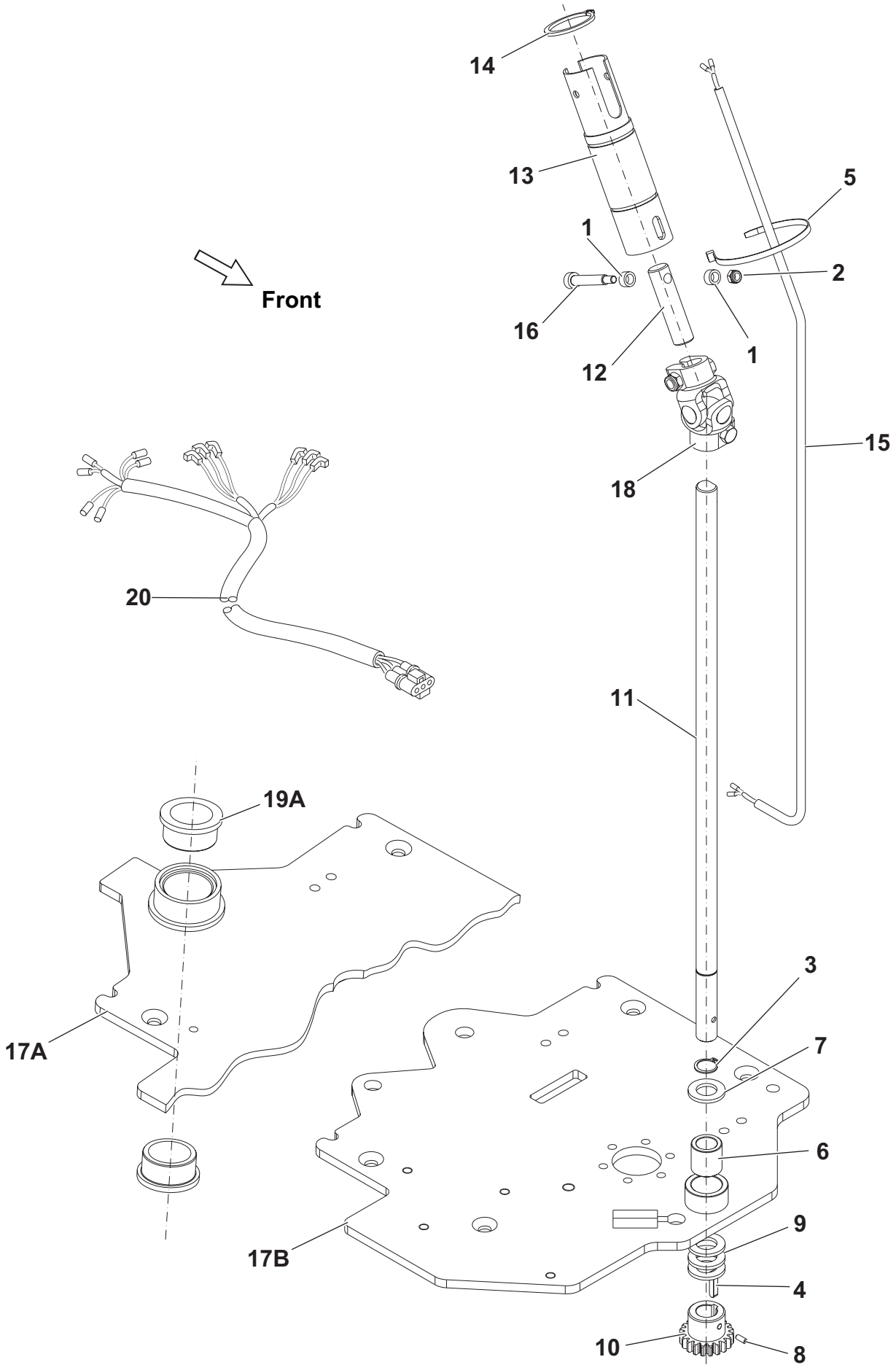
STEERING ASSY

SC3000 26" Disc - SC3000 28" Cyl.

11

Kit	Item No.	Ref. No.	Qty	Description
K1	1		10	SCREW 3.9X13 UNI6954
K1	2		3	SCREW M6X20 UNI5931
K1	3		4	NUT SELF L. M5 UNI7474
K1	4		3	WASHER M6 UNI1751B
K1	5		4	SCREW M5X45 UNI5931
	6	9097785000	1	WHEEL STEERING D.320X281
	7	9097786000	1	COVER DRIVE WHEEL
	8	9097788000	1	LEVER RIGHT PA YELLOW
	9	9097789000	1	LEVER LEFT PA
	10	9097846000	1	TUBE ADJUST.STEERING WHEE
	11	9097921000	1	GASKET ROUND D.2MM
	12	9097922000	1	CARD ELECTRONIC DASHBOARD
	13	9097923000	2	SPRING MOVING BOTTON
	14	9097924000	2	SPRING TORSION FOR STEERI
	15	9097925000	1	CAP REAR
	16	9097986000	1	DECAL CONTROL PANEL
	17	146 2888 000	1	SWITCH KEY WITH CAP
	18	9097842000	1	PLATE FIXING STEERING WHE
	19	9097843000	2	BUSH FLANGED D.40X44X52
	20	146 2887 000	1	KEY -2 PCS-
	21	9097792000	1	CABLE DASHBOARD EXTENSION
[K1]		9098719000	1	HW KIT STEERING ASSY

9098828000



2010-10

STEERING WHEEL SUPP ASSY

SC3000 26" Disc - SC3000 28" Cyl.

13

Kit	Item No.	Ref. No.	Qty	Description
K1	1		2	SPACER 8.1X12X6.5
K1	2		1	NUT SELF L. M6 UNI7474
K1	3		1	RING D 17 UNI7435
	4	33007699	1	KEY JOINT 5X25
K1	5		1	CLAMP BLACK 4,8x200
K1	6		1	BUSH (KIT ITEM 21)
K1	7		1	WASHER M16 UNI6592
K1	8		1	SCREW GRUB M5X10 UNI5929
K1	9		3	WASHER 16X30 UNI6592
	10	909 5943 000	1	PINION STEERING
	11	9097840000	1	SHAFT STEERING L.546MM
	12	9097844000	1	SHAFT STEERING L.66MM
	13	9097845000	1	TUBE STEERING
K1	14		1	RING D 40 UNI7436
	15	9098094000	1	HARNES STEERING WHEEL
	16	9098166000	1	SCREW SHOULDER M8X40
	17A	9097937000	1	PLATE STEERING SUPPORT
	17B	9098412000	1	PLATE STEERING SUPPORT
	18	145 9619 000	1	JOINT UNIVERSAL D.17
	19A	9098216000	1	BUSH FLANGED D.30X38X44
	20A	9098191000	1	HARNES FOOT BOARD
	20B	9097932000	1	HARNES FOOT BOARD
[K1]		9098720000	1	HW KIT STEERING WHEEL SUPPORT

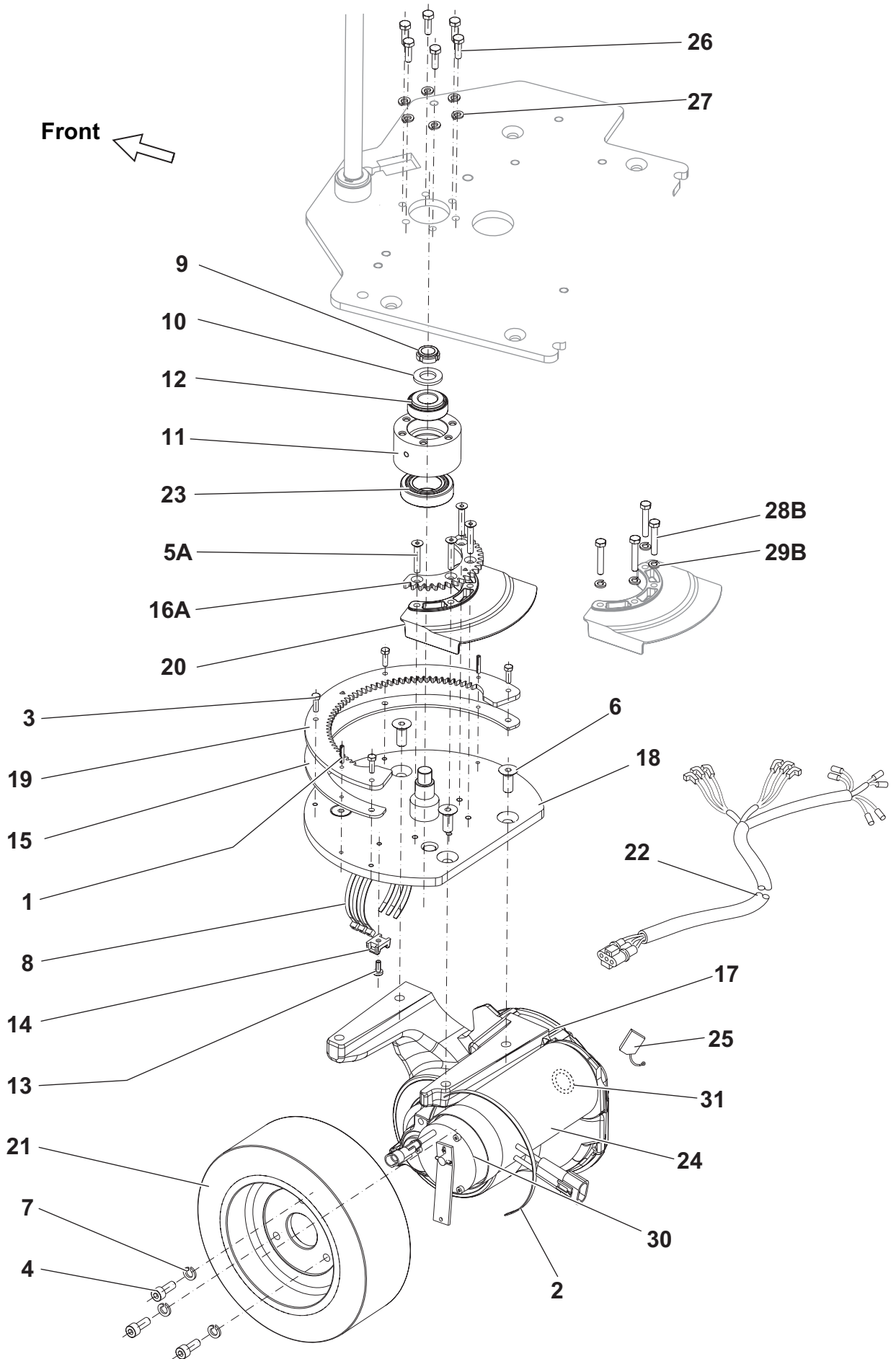
A: ONLY FOR 26" DISC

B: ONLY FOR 28"CYL.

9098828000

14

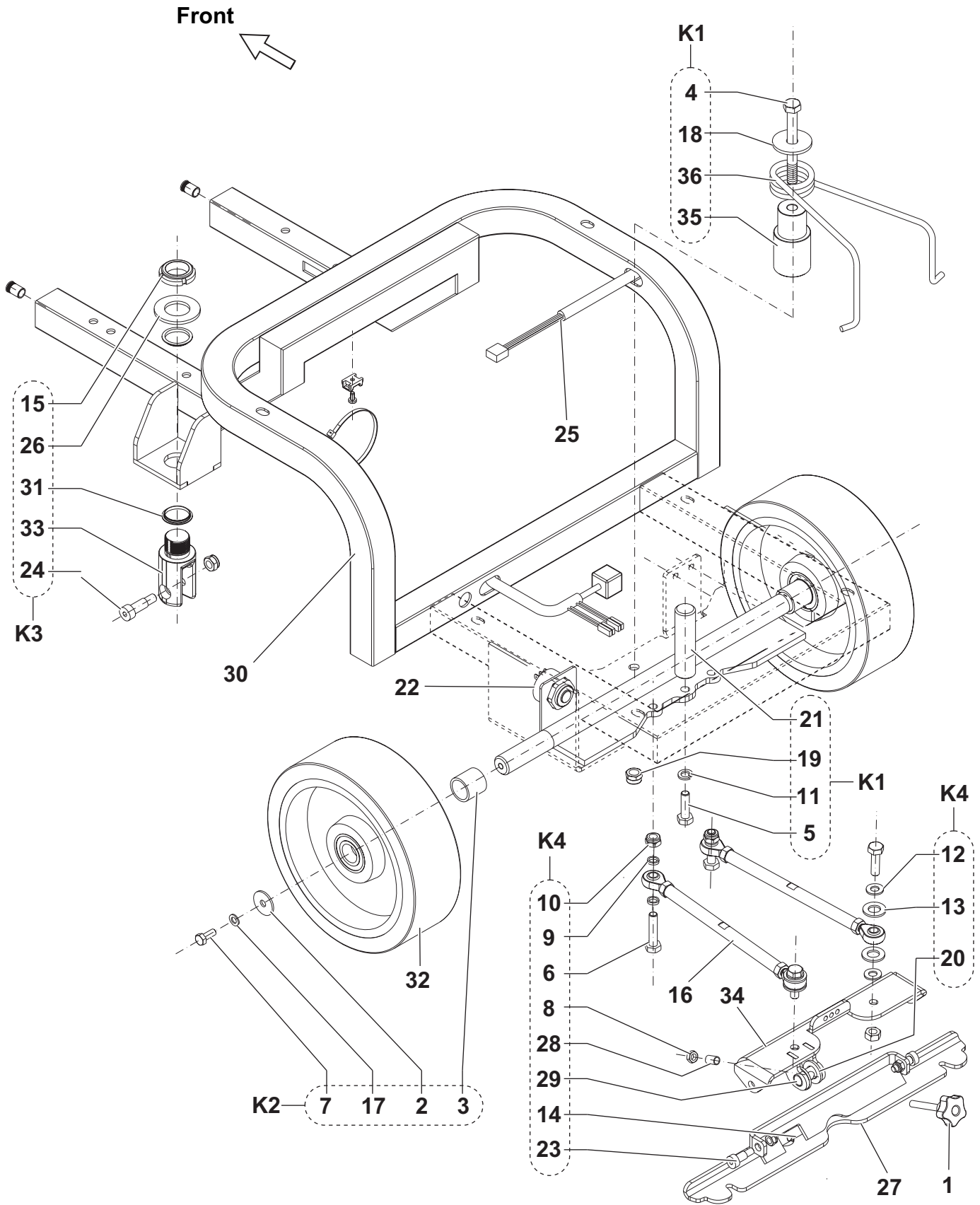
SC3000 26" Disc - SC3000 28" Cyl.



Kit	Item No.	Ref. No.	Qty	Description
K1	1		2	PIN 4X20 UNI6873
K1	2		1	CLAMP 4.8X430 WHITE
K1	3		4	SCREW M5X16 UNI5739
K1	4		3	SCREW M8X20 UNI5931
K1	5A		4	SCREW M6X35 UNI5933
K1	6		4	SCREW M10X25 UNI5933
K1	7		3	WASHER M8 UNI1751B
K1	8		3	CLAMP BLACK 4,8x200
K1	9		1	NUT RING
K1	10		1	WASHER M16 UNI6592
	11	909 5941 000	1	SUPPORT BALL BEARING
	12	909 5942 000	1	ROLLER BEARING
K1	13		1	SCREW M5X12 UNI7687
K1	14		1	HOLDER.FLAT TIE
	15	9097807000	1	SPACER CROWN STEERING
	16A	9097809000	1	GEAR MAIN Z45
	17	9097834000	1	MOTOR WHEEL W300 24V
	18	9097837000	1	STEERING BRACKET
	19	9097841000	1	CROWN STEERING Z100
	20	9098165000	1	PROTECTION DRIVE WHEEL WI
	21	9098407000	1	WHEEL DRIVE
	22	9098430000	1	HARNES WHEEL MOTOR
	23	145 4691 000	1	BALL BEARING
	24	9098625000	1	MOTOR ELECTRIC
	25	9098627000	1	BRUSH CARBON KIT
K1	26		6	SCREW M6X20 UNI5739
K1	27		6	WASHER M6 UNI1751B
K1	28B		4	SCREW M6X35 UNI5739
K1	29B		4	WASHER M6 UNI1751B
	30	9098626000	1	BRAKE ELECTRIC.RELEASED
	31	9098800000	1	SEAL OIL
[K1]		9098721000	1	HW KIT DRIVE WHEEL

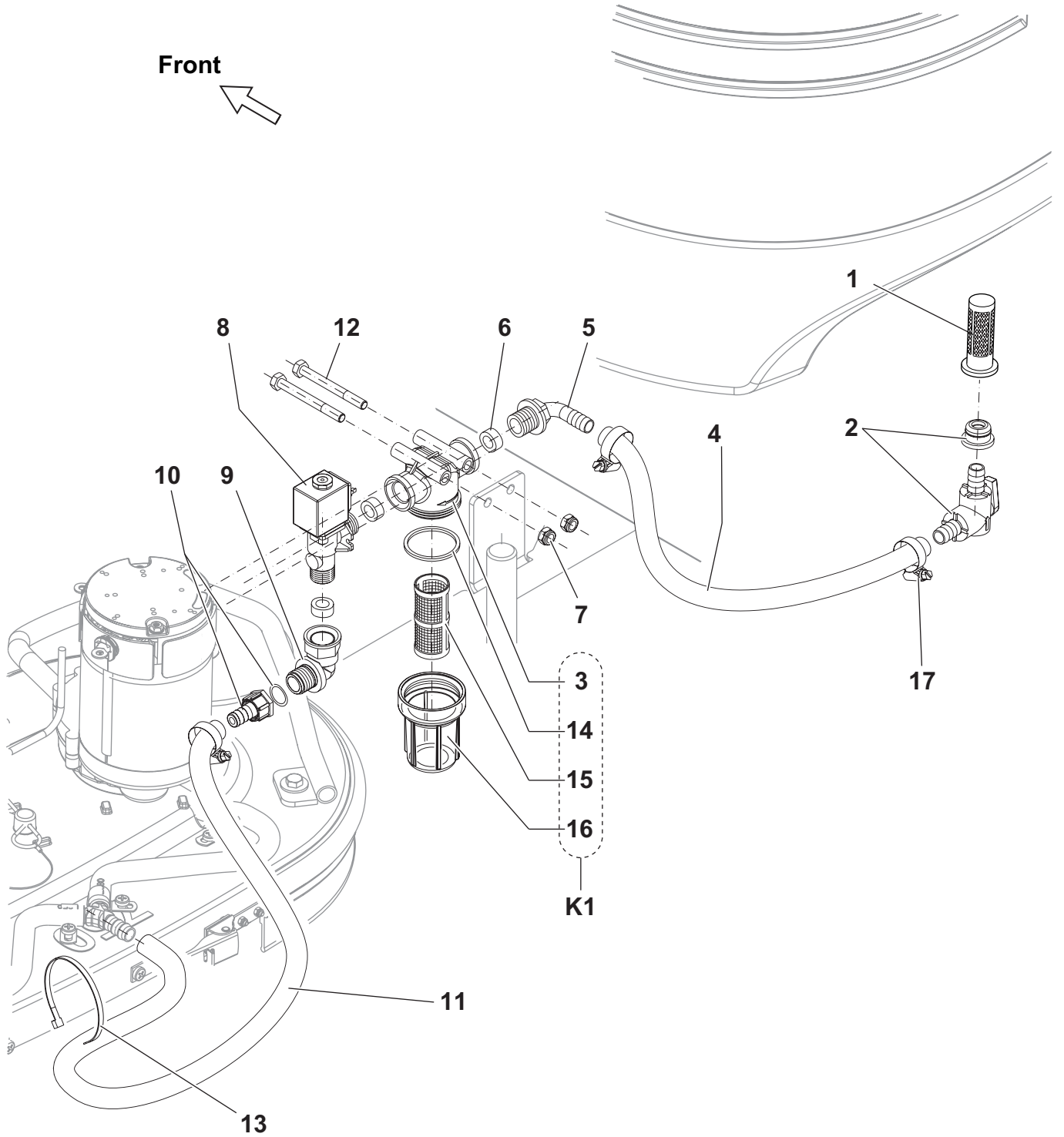
A: ONLY FOR 26" DISC

B: ONLY FOR 28"CYL.



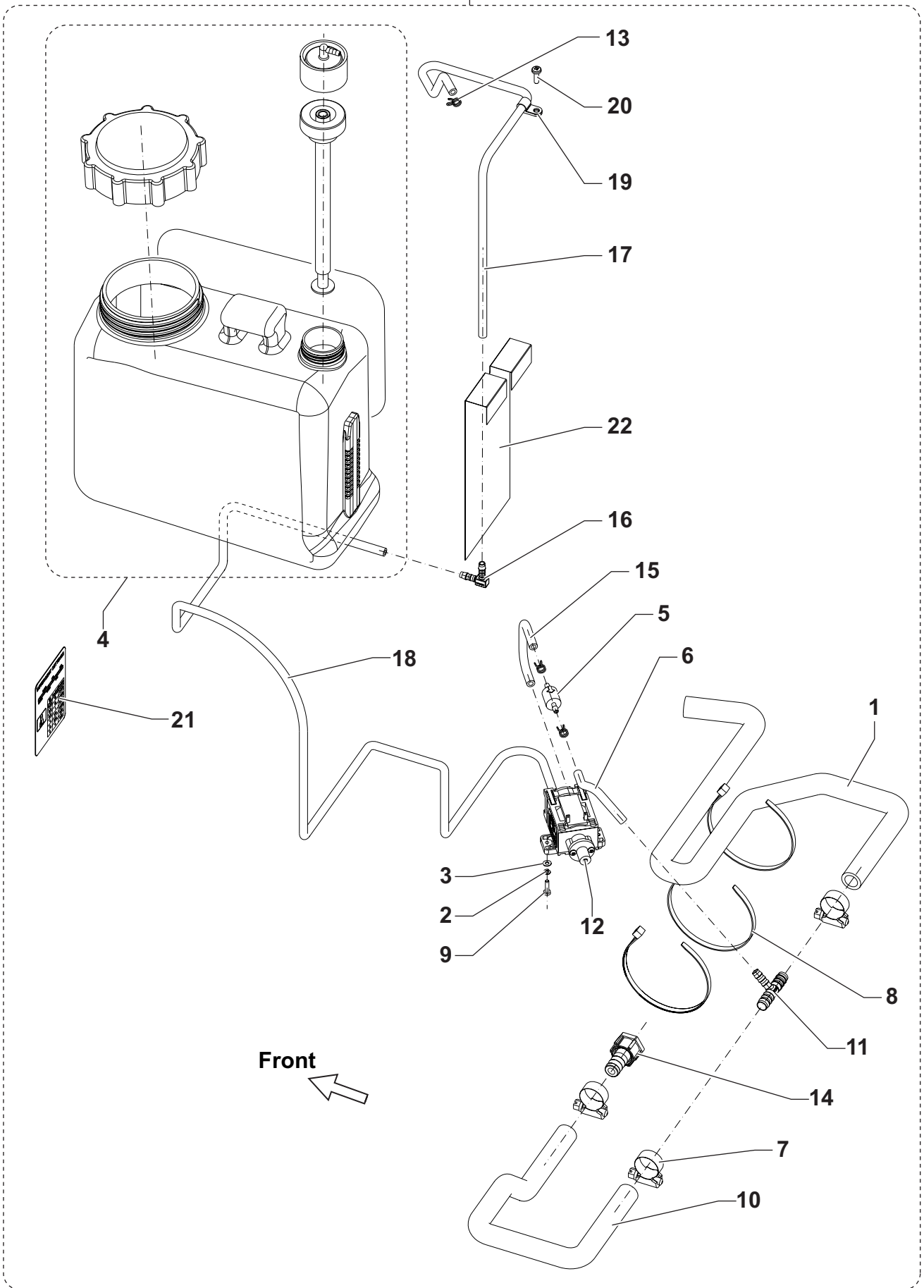
Kit	Item No.	Ref. No.	Qty	Description
	1	L08601574	1	HANDWHEEL M8X55
K2	2		2	WASHER 8X32 UNI6593
K2	3		2	SPACER D. 26X32X30
K1	4		1	SCREW M12X110 UNI5737
K1	5		3	SCREW M10X35 UNI5739
K4	6		2	SCREW M10X45 UNI5739
K2	7		2	SCREW M8X20 UNI5739
K4	8		1	NUT HEX M8 UNI5589
K4	9		4	SPACER D.10.5X14X3
K4	10		2	NUT SELF L. M10 UNI7474
K1	11		1	WASHER M10 UNI1751B
K4	12		4	WASHER M10 UNI6592
K4	13		4	WASHER M14 UNI6592
K4	14		1	SPACER ADJUSTING SQUEEGEE
K3	15		1	NUT RING
	16	9097931000	2	ROD EYE M10
K2	17		2	WASHER
K1	18		1	WASHER
K1	19		1	NUT SELF L. M12 UNI7474
K4	20		2	WASHER 16X30 UNI6592
K1	21		1	PIN FOR SQUEEGEE SPRING
	22	909 6126 000	1	BUZZER 5-32V
K4	23		2	SCREW SHOULDER M10X16
K3	24		1	SCREW SHOULDER M12X25
	25	9098236000	1	HARNES REAR MACHINE
K3	26		1	WASHER M30 UNI6592
	27	9098390000	1	SUPPORT SQUEEGEE DOWN
K4	28		1	SPACER D. 8X10X15.5
K4	29		1	SPACER WITH HOLE
	30	9097798000	1	CHASSIS
K3	31		2	BUSH FLANGED D.30X32X37
	32	9097816000	2	WHEEL REAR D.254 80SH GRE
K3	33		1	BRACKET TURNING
	34	9097827000	1	SUPPORT SQUEEGEE UPPER
K1	35		1	PIN SUPPORT SQUEEGEE SPRI
K1	36		1	SPRING ZERO SETTING SQUEE
	K1	9098722000	1	CENTRING SQUEEGEE KIT
	K2	9098723000	1	FIXING WHEELS KIT
	K3	9098724000	1	BRACKET TURNING KIT (ONLY FOR 26" DISC)
	K4	9098725000	1	HW KIT ROD EYE

Front



Kit	Item No.	Ref. No.	Qty	Description
	1*	9096916000	1	FILTER SOLUTION TANK
	2	9097626000	1	VALVE ELBOW KIT
K1	3		1	BODY FILTER
	4	9098120000	1	PIPE MT.0.323
	5	909 6087 000	1	NIPPLE 90° G1/2
	6	9097484000	3	GASKET
K2	7		2	NUT SELF L. M8 UNI7474
	8	909 6555 000	1	SOLENOID VALVE 24V
	9	909 6086 000	1	ELBOW CURVED M/F
	10	9097115000	1	HOLDER RUBBER 1/2 FEMALE
	11	9097821000	1	PIPE MT 1.02
K2	12		2	SCREW M8X75 UNI5737
K2	13		1	CLAMP BLACK 4,8x200
K1	14	9097943000	1	GASKET FOR WATER FILTER
K1	15	9097944000	1	FILTER NET SS 50 MESH FOR
K1	16	9097945000	1	OVER TRASPARENT FOR WATE
K2	17		3	CLAMP 09/12-22
	K1	9098115000	1	FILTER WATER KIT
	[K2]	9098726000	1	HW KIT SOLUTION SYSTEM

K1



2010-10	ECOFLEX™			
2011-02	SC3000 26" Disc - SC3000 28" Cyl.			21

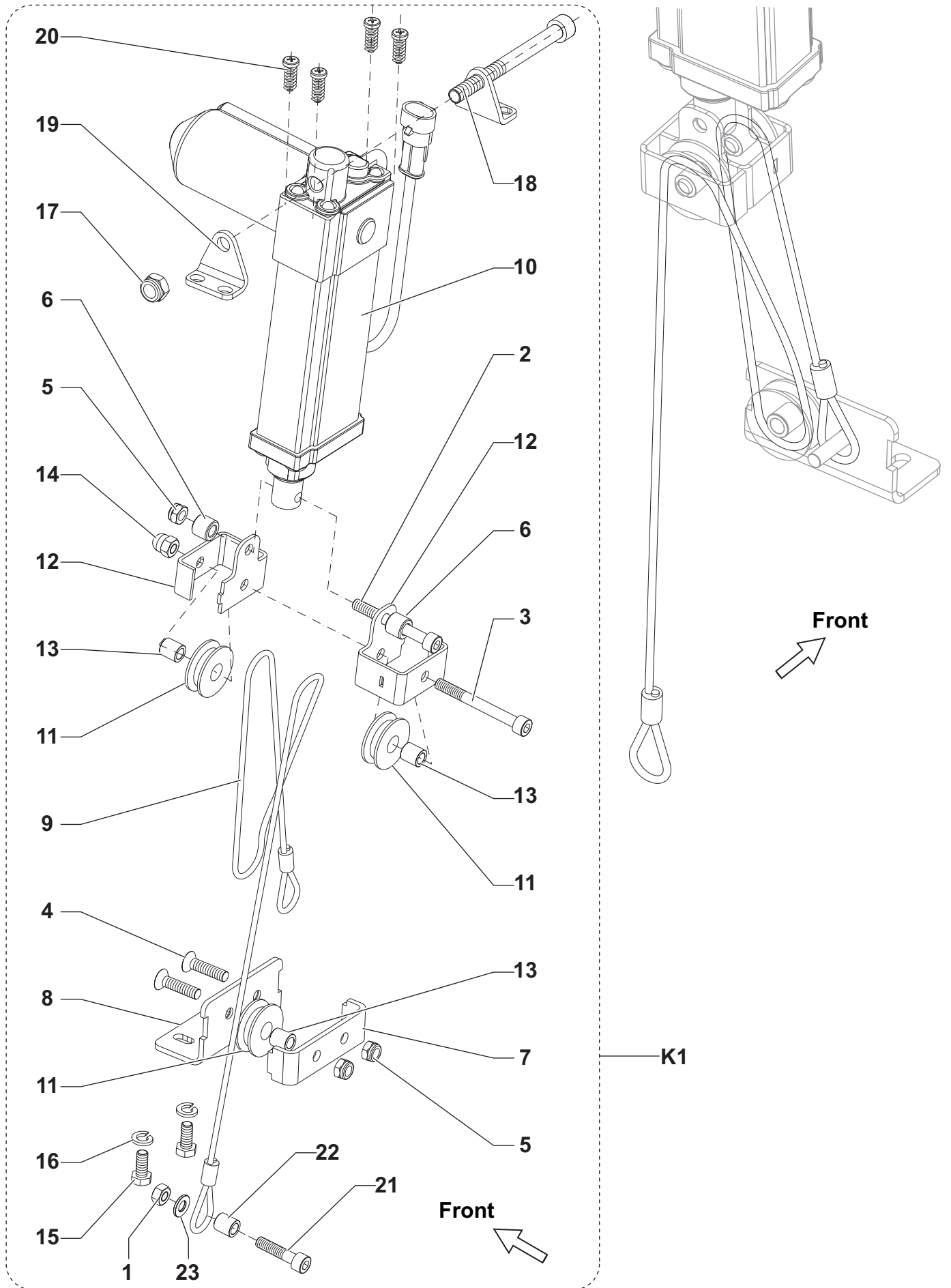
Kit	Item No.	Ref. No.	Qty	Description
K1	1		1	PIPE d.12 MT 0,64
K1	2		2	WASHER M3 UNI1751B
K1	3		2	WASHER M3 UNI6592
K1	4	909 6903 000	1	TANK CHEMICAL KIT
K1	5	56315522	1	VALVE CHECK
K1	6		1	PIPE SILICON di.4 de.7 MT 0,9
K1	7		3	CLAMP
K1	8		3	CLAMP CABLE BLACK
K1	9		2	SCREW HEX HD M3X12
K1	10		1	PIPE d.12 MT 0,38
K1	11		1	HOLDER RUBBER T
K1	12	909 6183 000	1	PUMP CHEMICAL MIX
K1	13		5	CLAMP
K1	14		1	HOLDER RUBBER 1/2 FEMALE
K1	15		1	PIPE SILICON di.4 de.7 MT 0,9
K1	16		1	HOLDER RUBBER 90. D.5
K1	17		1	PIPE SILICON di.4 de.7 MT 0,315
K1	18		1	PIPE SILICON di.4 de.7 MT 0,910
K1	19#		1	CLAMP GREY
K1	20#		1	SCREW 3,9X13 UNI6954
K1	21#		1	DECAL DETERGENT ADJUSTING
K1	22#		1	TRANSPARENT ADHESIVE
	K1	9097818000	1	ECOFLEX KIT

SQUEEGEE RAISING ASSY

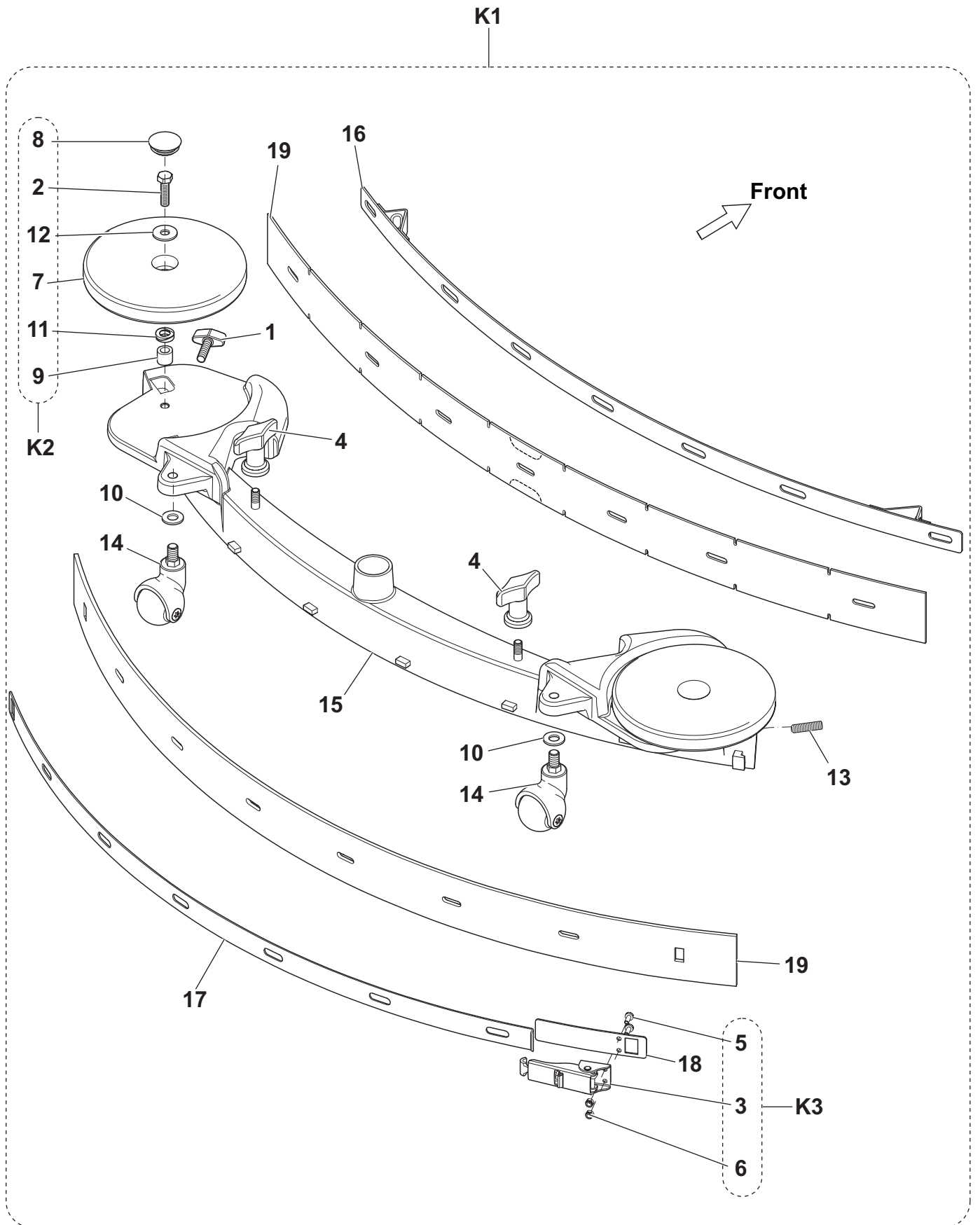
2010-10

22

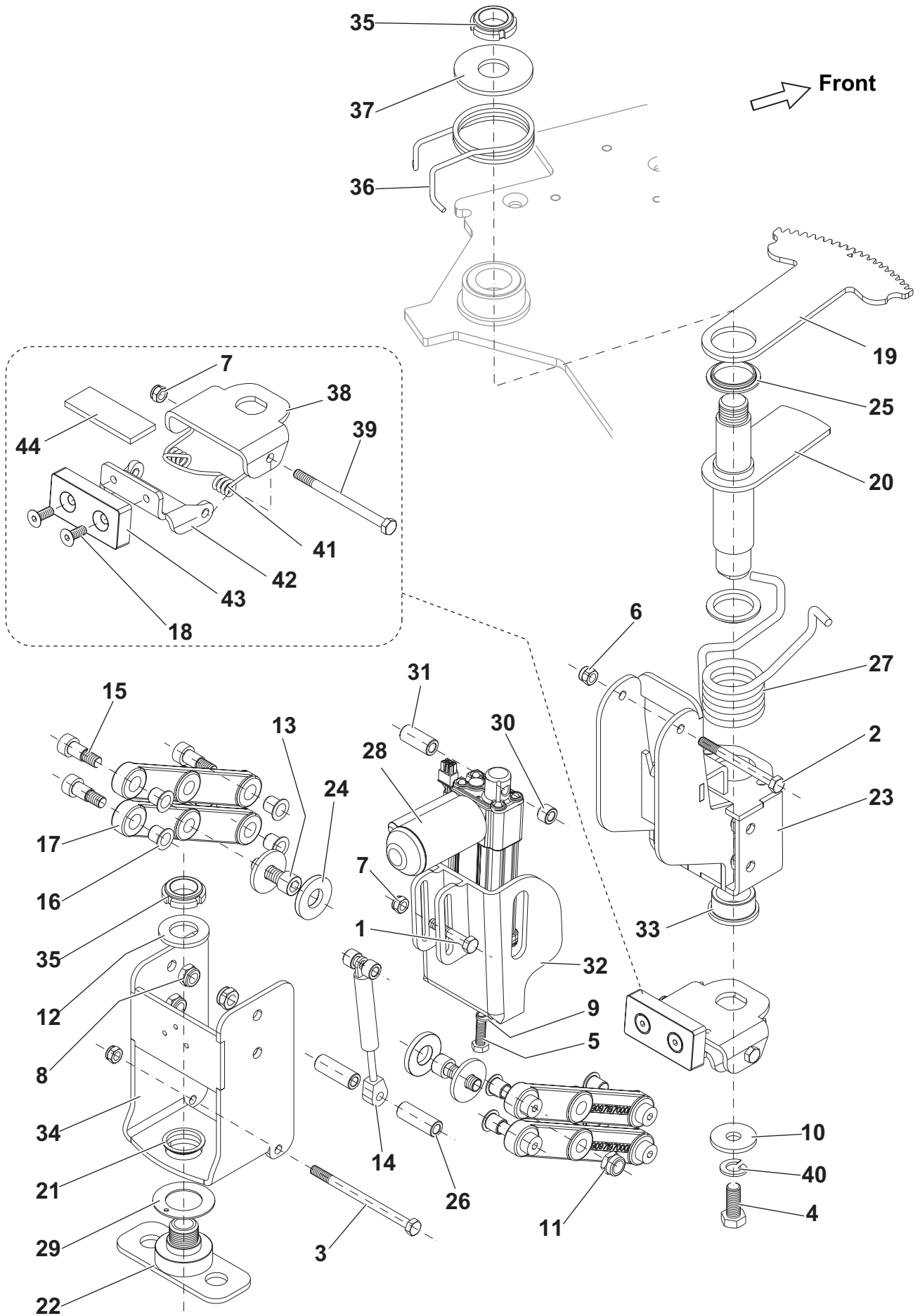
SC3000 26" Disc - SC3000 28" Cyl.



Kit	Item No.	Ref. No.	Qty	Description
K1	1		1	NUT SELF L. M6 UNI7474 SS
K1	2		1	SCREW M6X50 UNI5931
K1	3		1	SCREW M6X55 UNI5931
K1	4		2	SCREW M6X25 UNI5933
K1	5		3	NUT SELF L. M6 UNI7474
K1	6		2	SPACER 6,5X12X10
K1	7		1	PLATE COUNTER
K1	8		1	SUPPORT COUNTERPLATE
K1	9	9097933000	1	CABLE SQUEEGEE LIFTING
K1	10	9097985000	1	JACK MOTOR 24V FOR SQUEEG
K1	11	9098248000	3	PULLEY D.30
K1	12		2	BRACKET PULLEY SUPPORT
K1	13		3	SPACER D. 6.5X10X10.5
K1	14		1	NUT HEX M6 UNI5721
K1	15		2	SCREW M6X14 UNI5739
K1	16		2	WASHER M6 UNI1751B
K1	17		1	NUT SELF L. M8 UNI7474
K1	18		1	SCREW M8X90 UNI5931
K1	19		1	BRACKET SUPPORT JACK MOTO
K1	20		4	SCREW CYL HD 5X16 SELF L.
K1	21		1	SCREW M6X20 ISO7380 SS
K1	22		1	SPACER 6.5X10X5
K1	23		1	WASHER 6X18X1.5 UNI6593
	K1	9098708000	1	SQUEEGEE LIFTING KIT

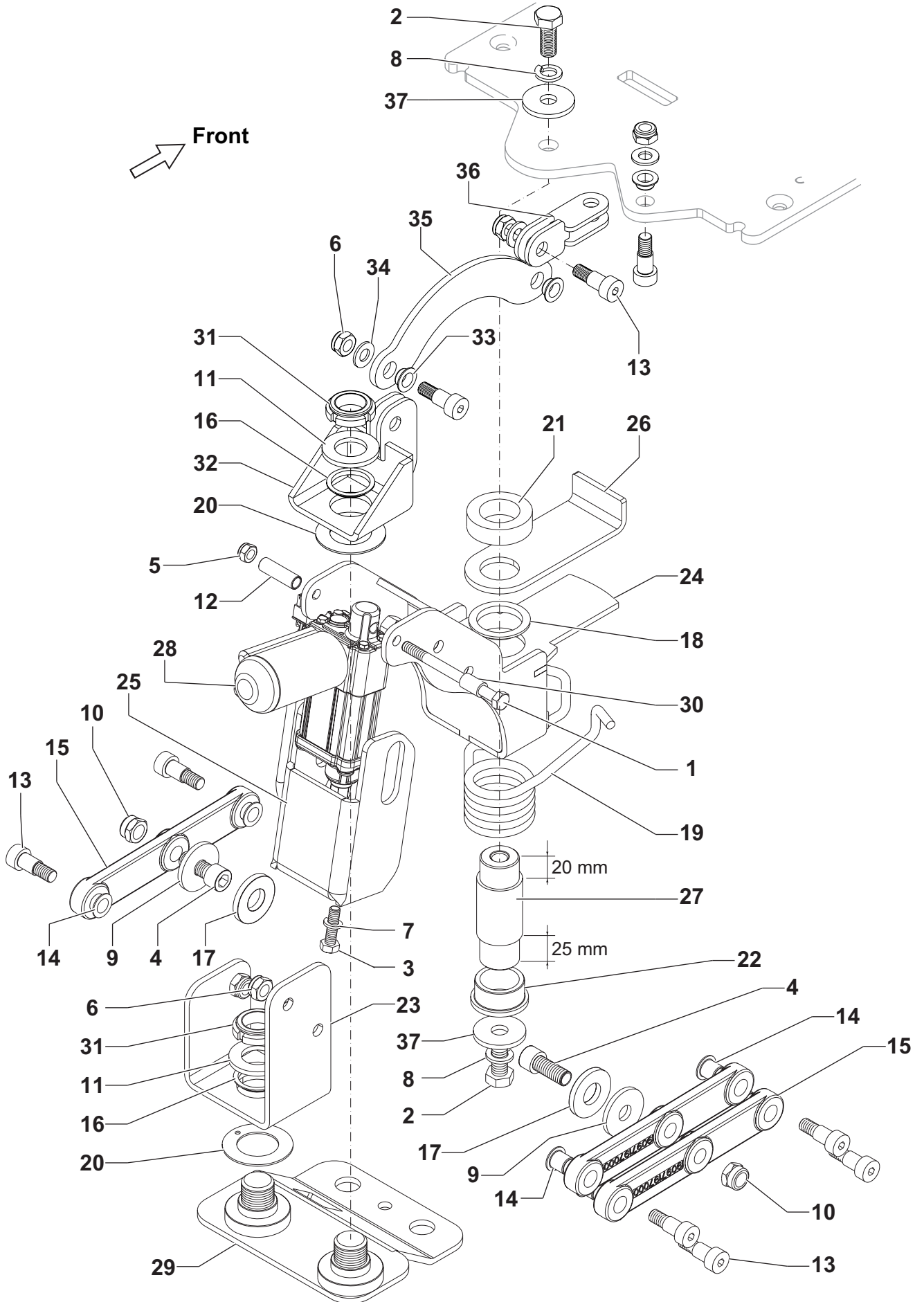


Kit	Item No.	Ref. No.	Qty	Description
K1	1	909 6551 000	1	KNOB M8X30 SS
K2	2		2	SCREW M8X30 UNI5739 SS
K3	3		1	LATCH SQUEEGEE
K1	4	9097637000	1	SQUEEGEE FIXING KIT
K3	5		2	SCREW M4X10 UNI7687 SS
K3	6		2	NUT SELF L. M4 UNI7474 SS
K2	7		2	ROLLER BUMPER
K2	8		2	CAP. BLACK
K2	9		2	SPACER 9X15X13
K1	10		2	WASHER M10 UNI6592
K2	11		2	WASHER 10X18 UNI8840A
K2	12		2	WASHER SST
K1	13	909 6600 000	1	SCREW GRUB M8X30 UNI5929
K1	14	9098307000	2	WHEEL CASTOR D.42
K1	15	9098379000	1	WELDMENT SQUEEGEE TOOL
K1	16	9098380000	1	STRAP FRONT SQUEEGEE 35
K1	17	9098381000	1	STRAP SKIRT REAR RIGHT 35
K1	18	9098382000	1	STRAP SKIRT REAR LEFT 35
K1	19	9098729000	1	BLADES PU 890MM/35" KIT
	K1	9098728000	1	SQUEEGEE CPL PU 890MM/35" KIT
K1	K2	909 6887 000	2	ROLLER BUMPER KIT
K1	K3	909 6394 000	1	LATCH SQUEEGEE KIT

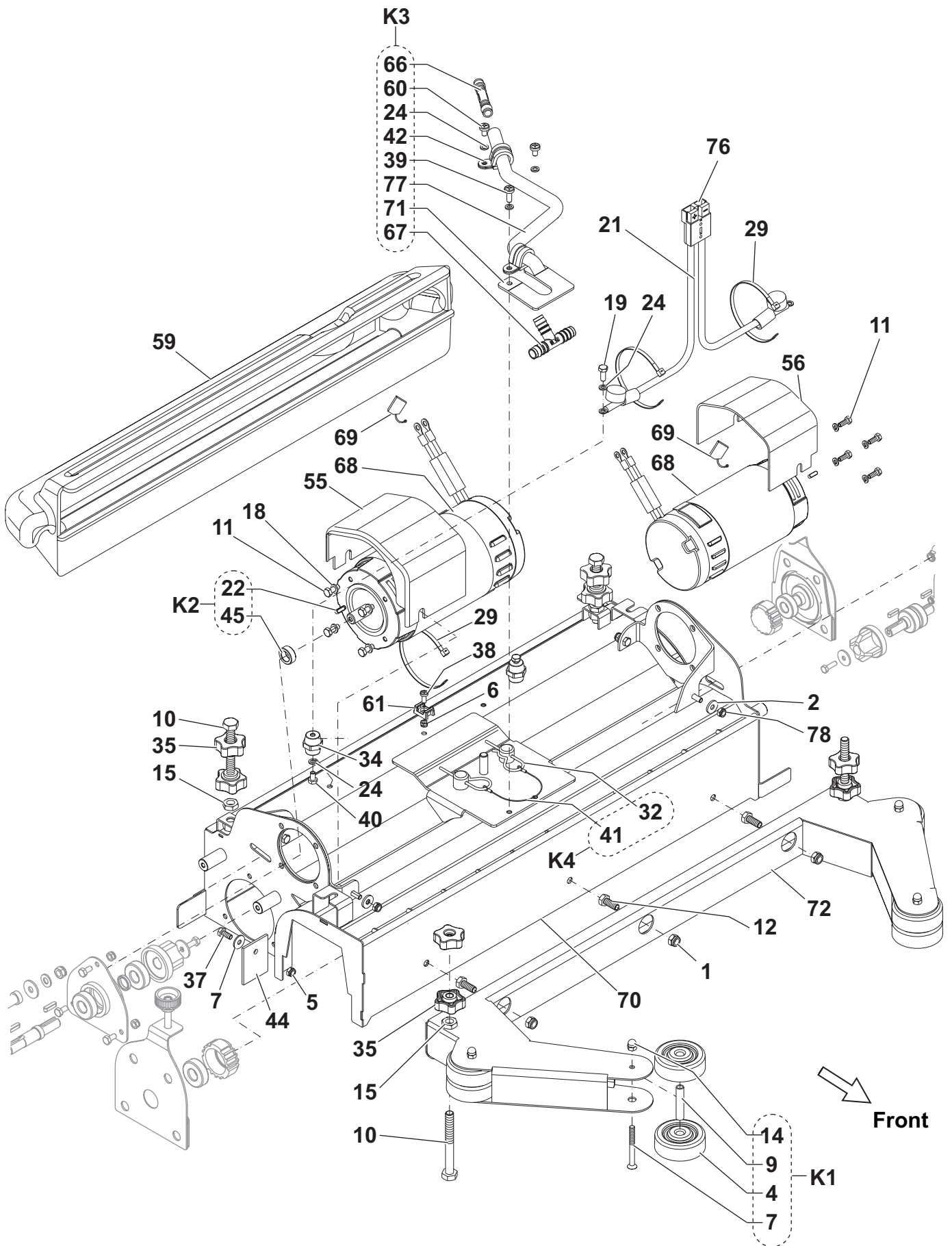


Kit	Item No.	Ref. No.	Qty	Description
K1	1		1	SCREW M8X45 UNI5737
K1	2		1	SCREW M8X90 UNI5737
K1	3		1	SCREW M8X120 UNI5737
K1	4		1	SCREW M12X30 UNI5739
K1	5		1	SCREW M8X30 UNI5739
K1	6		1	NUT SELF L. M8 UNI7473
K1	7		3	NUT SELF L. M8 UNI7474
K1	8		4	NUT SELF L. M10 UNI7474
K1	9		1	WASHER M8 UNI1751B
K1	10		3	WASHER 12X40X4
K1	11		2	NUT SELF L. M12 UNI7474
K1	12		1	WASHER M24 UNI6592
K1	13		2	SCREW M12X35 UNI5931
	14	909 5637 000	1	SPRING GAS
	15	909 6520 000	8	SCREW SHOULDER M12X16
	16	9097008000	8	BUSH FLANGED
	17	9097197000	4	LEVER
K1	18		2	SCREW M8X20 UNI5933
	19	9097810000	1	GEAR SLAVE
	20	9097811000	1	PIN DRIVEN CROWN
	21	9097812000	1	BUSH FLANGED D.30X32X37
	22	9097819000	1	BRACKET ROTATING SUPPORT
	23	9097822000	1	SUPPORT JACK
	24	9097824000	2	BUSH D.18.2X40
	25	9097835000	2	BUSH FLANGED D.35X39X47
	26	9097836000	2	SPACER D. 8.5X15X42
	27	9097850000	1	SPRING DRAGGING DECK
	28	9097852000	1	JACK MOTOR 24V FOR DECK
	29	9097854000	1	BUSH D.32X54
	30	9097938000	3	SPACER D. 8.5X15X10
	31	9097939000	1	SPACER D. 8.5X15X33
	32	9098176000	1	BRACKET LOWER JACK MOTOR
	33	9098216000	1	BUSH FLANGED D.30X38X44
	34	9098220000	1	BRACKET SUPPORT DECK
	35	9097823000	2	NUT RING M25X1,5 KMA5
	36	9097851000	1	SPRING ZERO SETTING BRUSH
	37	9098239000	1	WASHER FLAT D.25.5X65X4
	38	9098195000	1	FLANGE UP DRAGGING
K1	39		1	SCREW M8X110 UNI5737
K1	40		1	WASHER M12 UNI1751B
	41	9098197000	1	SPRING INSERTION DRAGGING
	42	9098196000	1	FLANGE DOWN DRAGGING
	43	9097813000	1	GUIDE DRAGGING DECK
	44	9098857000	1	RUBBER ANTISHOCK
[K1]		9098727000	1	HW SUPPORT BRUSH DECK KIT

Kit	Item No.	Ref. No.	Qty	Description
K7	1		1	HOLDER POLYGONAL LEFT
	2	909 5226 000	1	DECK BRUSH 26"
K2	3		2	WASHER 15
K2-3	4		6	WASHER 8X24 UNI6593
K2	5		2	SCREW M8X30 UNI5739 SS
K1	6		1	PLATE BENT
K9	7		6	SCREW M6X12 UNI7687 SS
K2	8		2	ROLLER BUMPER
K2	9		2	CAP. BLACK
K2	10		2	SPACER 9X15X13
K10	11		1	WASHER 10X30 UNI6593
K5	12		8	SCREW M8X20 UNI5739
K3	13		4	SCREW M8X25 UNI5739
K1	14		1	NUT HEX M6 UNI5589
K10	15		1	NUT SELF L. M10 UNI7473
K4	16		1	NUT SELF L. M10 UNI7474
K7-8	17		2	WASHER
K7-8	18		2	SCREW
K7-8	19		2	WASHER
K3	20		1	NUT RING
K5	21	145 8024 000	2	KEY JOINT
K5	22		8	WASHER
K6	23		2	PIN
K4	24		4	BUSH FLANGED
K1	25		2	SCREW M6X16 UNI7687 SS
K1	26		1	SCREW M6X20 UNI7687 SS
K8	27		1	HOLDER POLYGONAL LEFT
K6	28		1	CABLE STAINLESS STEEL
K7-8	29	L08812480	2	HUB.BRUSH
K9	30		6	CLAMP D.16
K5	31		2	REDUCTION GEARMOTOR 400W
K9	32		1	PIPE WATER
K3	33		2	BUSH FLANGED D.30X32X37
K3	34		1	BRACKET TURNING
K4	35		1	ARM SIDE
K10	36		1	SPACER THREADED
K4	37		1	SCREW SHOULDER M12X25
K3	38		1	SPACER SIDE ARM
K10	39		1	SCREW GRUB M10X40 UNI5929
	40	9098741000	1	DECK BRUSHES 26" KIT
	41	9098374000	1	HARNES BRUSH DECK
K3	42		1	WASHER M30 UNI6592
K2	43		6	NUT SELFLOCKING LOW M8 UN
K5	44	909 5380 000	2	BRUSH CARBON W/HOLDER KIT
	45	909 5224 000	1	SPLASH GUARD DECK 26"
	45*	9097474000	1	SPLASH GUARD W/BRISTLES 26"
	46	9098761000	1	CONNECTOR 50A RED
	K1	909 5398 000	1	SPLASH GUARD FIXING KIT 26"
	K2	909 6887 000	2	ROLLER BUMPER KIT
	K3	9098730000	1	SPACER SIDE ARM KIT
	K4	9098731000	1	ARM SIDE KIT
	K5	9097638000	2	REDUCTION GEARMOTOR 400W
	K6	909 6354 000	1	SPLIT PINS W/CABLE KIT
	K7	9097640000	1	HOLDER POLYGONAL RIGHT 26"
	K8	9097639000	1	HOLDER POLYGONAL LEFT 26"
	K9	9097644000	1	HOSE WATER BRUSH DECK 26"
	K10	9098732000	1	FIXING DECK KIT



Kit	Item No.	Ref. No.	Qty	Description
K1	1		1	SCREW M8X100 UNI5737
K1	2		2	SCREW M12X30 UNI5739
K1	3		1	SCREW M8X30 UNI5739
K1	4		2	SCREW M12X30 UNI5931
K1	5		1	NUT SELF L. M8 UNI7474
K1	6		6	NUT SELF L. M10 UNI7474
K1	7		1	WASHER M8 UNI1751B
K1	8		2	WASHER M12 UNI1751B
K1	9		2	WASHER 12X40X4
K1	10		2	NUT SELF L. M12 UNI7474
K1	11		2	WASHER M24 UNI6592
	12	9097920000	1	SPACER
K1	13		9	SCREW SHOULDER M12X16
	14	9097008000	6	BUSH FLANGED
	15	9097197000	3	LEVER
	16	9097812000	2	BUSH FLANGED D.30X32X37
	17	9097824000	2	BUSH D.18.2X40
	18	9097835000	1	BUSH FLANGED D.35X39X47
	19	9097850000	1	SPRING DRAGGING DECK
	20	9097854000	2	BUSH D.32X54
	21	9098121000	1	SPACER D.31X50X14.5 NYLON
	22	9098216000	1	BUSH FLANGED D.30X38X44
	23	9098409000	1	BRACKET SUPPORT CYL.DECK
	24	9098410000	1	SUPPORT JACK CYL.DECK
	25	9098411000	1	BRACKET LOWER JACK MOTOR
	26	9098415000	1	PLATE SPRING SUPPORT
	27	9098416000	1	PIN SUPPORT JACK MOTOR CY
	28	9098417000	1	JACK MOTOR 24V FOR CYL.DE
	29	9098418000	1	BRACKET ROTATING SUPPORT
	30	145 2381 000	1	BUSH
	31	9097823000	2	NUT RING M25X1,5 KMA5
	32	9098420000	1	SUPPORT ROTATING CYL.DECK
	33	146 0549 000	3	BUSH FLANGED
K1	34		3	WASHER M10 UNI6592
	35	9098419000	1	ARM SIDE CYL.DECK
	36	9098421000	1	ARTICULATED JOINT FOR CYL
K1	37		2	WASHER 14X36X2,5
	[K1]	9098733000	1	HW SUPPORT CYL. BRUSH DECK



Kit	Item No.	Ref. No.	Qty	Description
K6	1		3	NUT SELFLOCKING LOW M8 UN
K6	2		8	WASHER 6X18 UNI6592
K2	3		2	WASHER 8X24 UNI6593
K1	4		8	ROLLER BUMPER
K2	5		8	NUT SELF L. M6 UNI7474 SS
K6	6		1	NUT SELFLOCKING LOW M5 UN
K1	7		4	SCREW M6X70 UNI5933
K6	8		4	SCREW M6X12 UNI7687
K1	9		4	SPACER 6.3X9.5X47
K6	10		4	SCREW M10X90 UNI5739
K6	11		8	SCREW M6X16 UNI5739
K6	12		3	SCREW M8X20 UNI5739
K2	13		4	SCREW M6X20 UNI5933
K1	14		4	NUT HEX M6 UNI5721
K6	15		4	NUT HEX M10 UNI5589
	16	9097960000	2	SKIRT SIDE CYL.DECK
K2	17		2	NUT SELF L. M8 UNI7474
K6	18		12	WASHER M6 UNI1751B
K6	19		2	SCREW M6X12 UNI5739 SS
K2	20		2	WASHER FLAT
	21	9098658000	1	HARNES FOR CYLINDRICAL BRUSH DECK
K2	22		2	KEY 5X15
K5	23	56407551	2	HUB
K6	24		7	WASHER M6 SS
K2	25		2	SCREW M6X20 SS
	26	145 0461 000	8	WING NUT M6
K2	27		2	WASHER M6 SS
K2	28		6	SCREW M6X12 SS
K6	29		3	CLAMP BLACK 4,8x200
K2-5	30	145 2361 000	6	BALL BEARING 6202 2RS1
K2	31		4	SPACER 6.5X25X3
K4	32		2	PIN
K2	33		4	KEY 5X5X20
	34	146 0708 000	2	INSULATOR M6 WHITE
	35	146 1036 000	8	KNOB
K2	36		2	SPACER 15X20X4
K6	37		2	SCREW M6X14 UNI5739 SS
K6	38		1	SCREW M5X12 UNI7687 SS
K3	39		1	SCREW M6X16 UNI7687 SS
K6	40		2	SCREW M6X8 UNI5739 SS
K4	41		1	CABLE STAINLESS STEEL
K3	42		2	CLAMP HOSE D.18
K2	43	909 5728 000	2	HUB BRUSH
	44	909 5752 000	2	GUARD SPLASH CYL.DECK
K2	45		2	SPACER 14X22X 8
K2	46		2	PIN BRUSH PULLEY
K2	47		2	SUPPORT BRUSH PULLEY
K2	48	909 5758 000	2	PULLEY
	49	909 5761 000	1	BELT POLY-V
K2	50	909 5762 000	2	ROLLER BELT TENSIONER
K2	51	909 5763 000	4	BALL BEARING
K2	52		2	SPACER 12.5X16X 6
K2	53		2	BUSHING COLLARED
K2	54		2	PIN
	55	909 5802 000	1	CRANKCASE MOTOR PROTECT.
	56	909 5803 000	1	CRANKCASE MOTOR PROTECT.

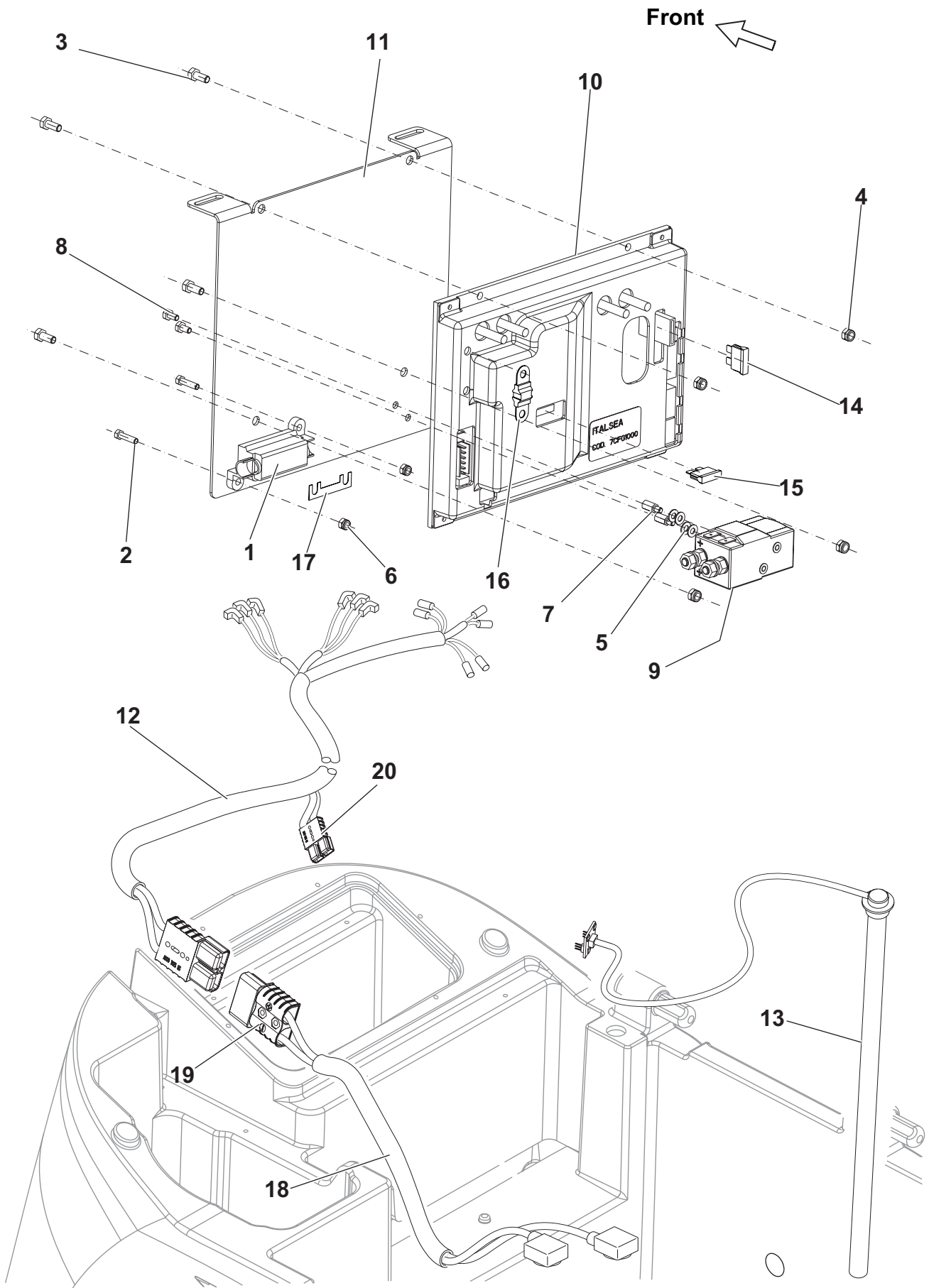
2010-10

CYLINDRICAL BRUSHES DECK

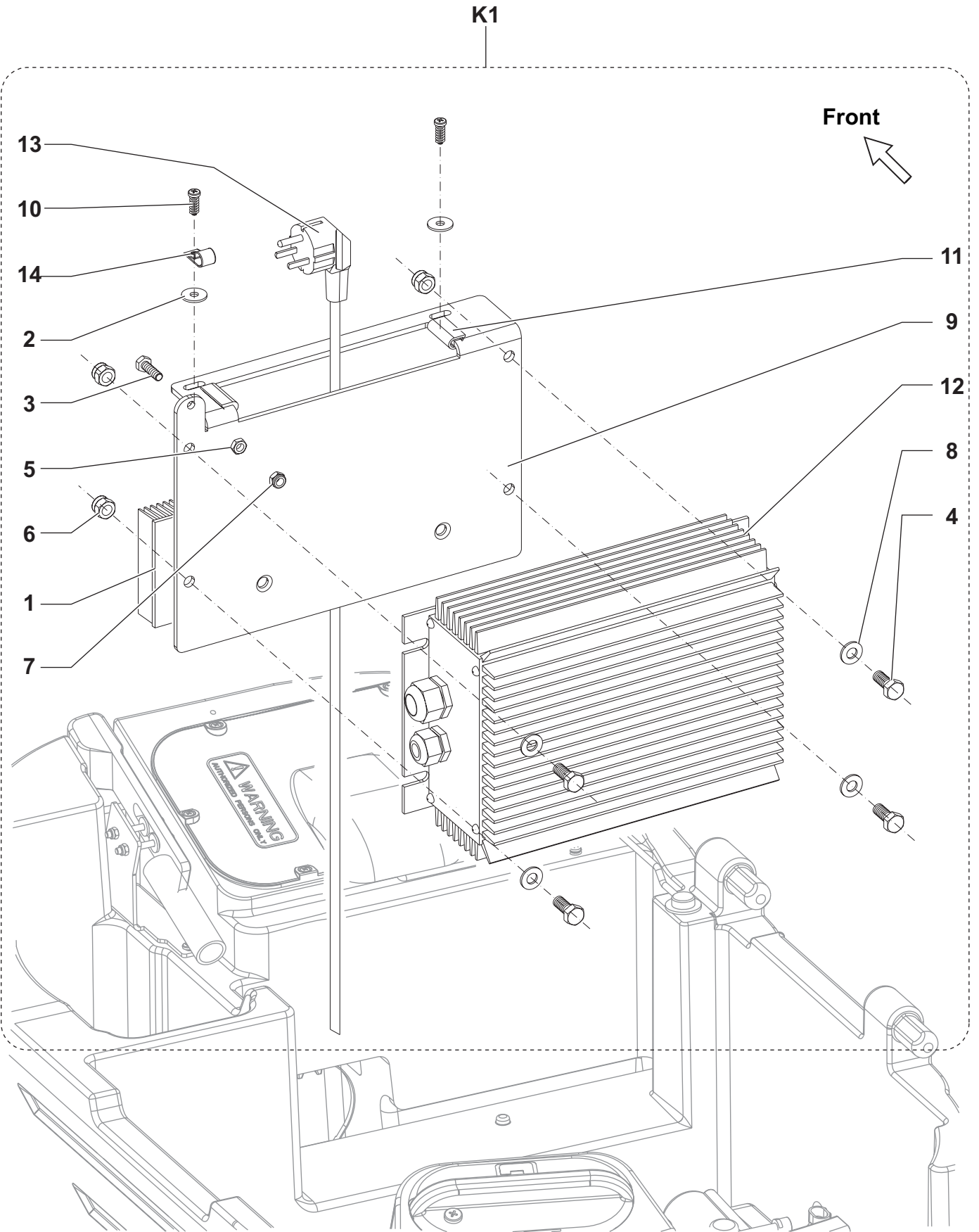
SC3000 28" Cyl.

35

Kit	Item No.	Ref. No.	Qty	Description
	57	909 5964 000	2	KNOB M8
K5	58		2	SUPPORT BRUSH 690MM/28 CY
	59	909 6225 000	1	CONTAINER DIRT
K3	60		2	SCREW M6X10 UNI7687 SS
	61	909 6595 000	1	HOLDER.FLAT TIE
K2	62	909 6730 000	2	PULLEY POLY-V
	63	909 6731 000	1	BELT POLY-V
	64	909 6785 000	1	CRANKCASE.BELT PROTECTION
	65	909 6786 000	1	CRANKCASE.BELT PROTECTION
K3	66		1	PIPE FITTING
K3	67		1	HOLDER RUBBER T D.13
	68	9097291000	2	MOTOR ELECTRIC 600W 24V
	69	L08603949	2	BRUSH CARBON KIT
	70	9097847000	1	FRAME CYLINDRICAL DECK
K3	71		1	SUPPORT FOR T FITTING
	72	9097936000	1	PROTECTION CYL.BRUSH DECK
	73	9097952000	1	SUPPORT CYL.DECK LEFT SID
	74	9097956000	1	SUPPORT CYL.DECK RIGHT SI
	75	9097959000	2	PLATE SIDE SKIRT CYL.DECK
	76	9098761000	1	CONNECTOR 50A RED
K3	77		1	WATER PIPE L320
K6	78		2	NUT SELF L. M6 UNI7474
	K1	9098736000	4	BUMPER ROLLER KIT
	K2	9098734000	2	TRANSMISSION BELT KIT
	K3	9098735000	1	WATER PIPE KIT
	K4	909 6354 000	1	SPLIT PINS W/CABLE KIT
	K5	9098737000	2	SUPPORT BRUSH KIT
	[K6]	9098738000	1	HW KIT CYL. BRUSH DECK



Kit	Item No.	Ref. No.	Qty	Description
	1	145 8046 000	1	STRIP FUSE HOLDER
K1	2		2	SCREW M4X16 UNI5739
K1	3		4	SCREW M5X12 UNI5739
K1	4		4	NUT SELF L. M5 UNI7474
K1	5		4	WASHER M4 UNI6592
K1	6		2	NUT SELF L. M4 UNI7474
K1	7		2	SPACER M4 L10
K1	8		2	SCREW M4X8 UNI5739
	9	9097208000	1	SWITCH ELECTROMAGNETIC
	10	9099071000	1	CARD ELECTRONIC TRACTION
	11	9097860000	1	PLATE FIXING ELECTRONIC C
	12	9098190000	1	HARNESS EL.COMPON.BOX
	13	9098897000	1	SENSOR PRESSURE KIT
	14	145 8368 000	1	FUSE 3A
	15	145 9853 000	1	FUSE 15A
	16	9097830000	1	FUSE MIDIFUSE 100A
	17	145 9854 000	1	STRIP FUSE 50A
	18	9098659000	1	HARNESS BATTERY
	19	9098762000	1	CONNECTOR 120A
	20	9098761000	1	CONNECTOR 50A RED
[K1]		9098739000	1	HW KIT ELECTRICAL COMPONENTS



2010-10

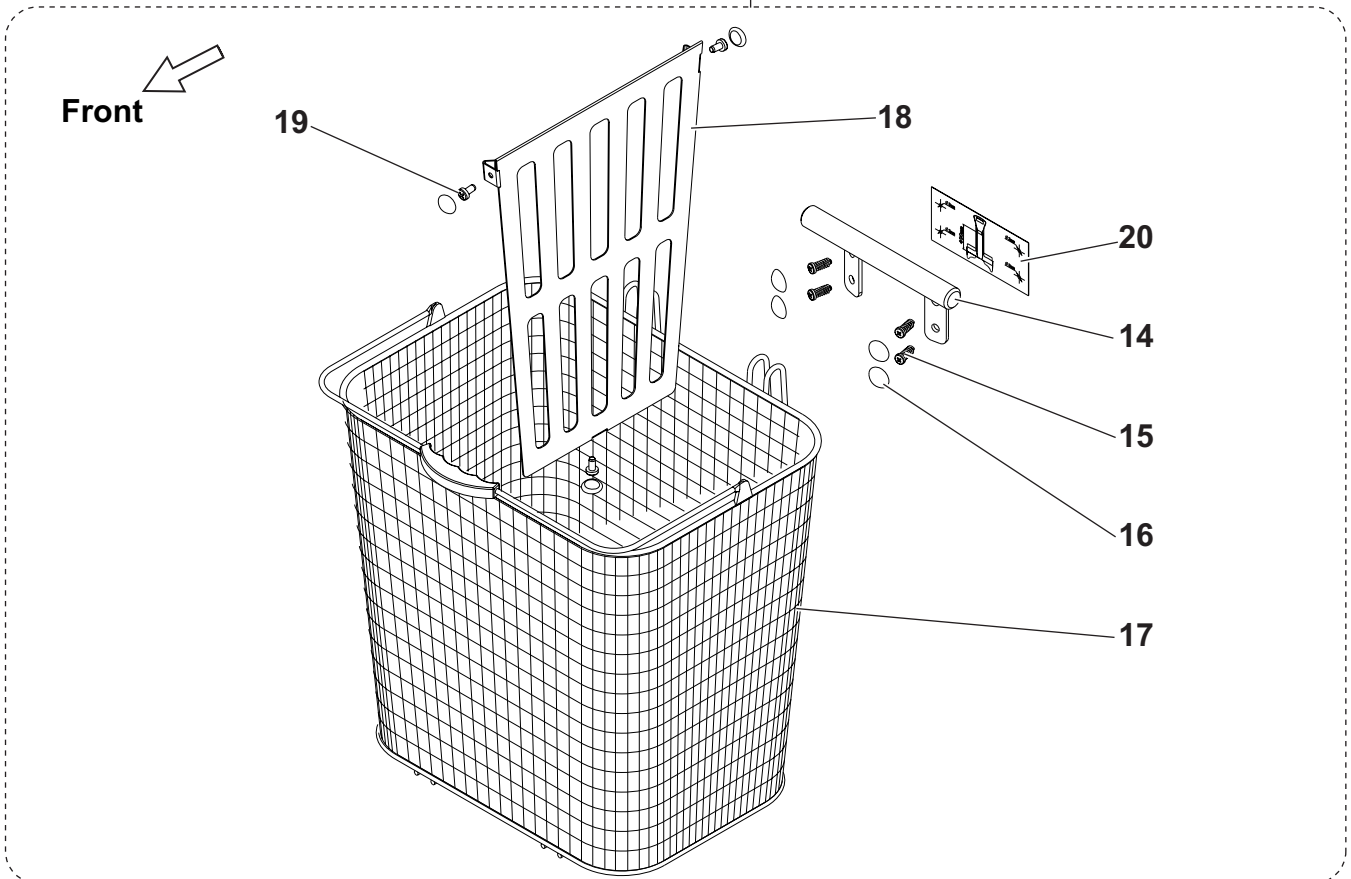
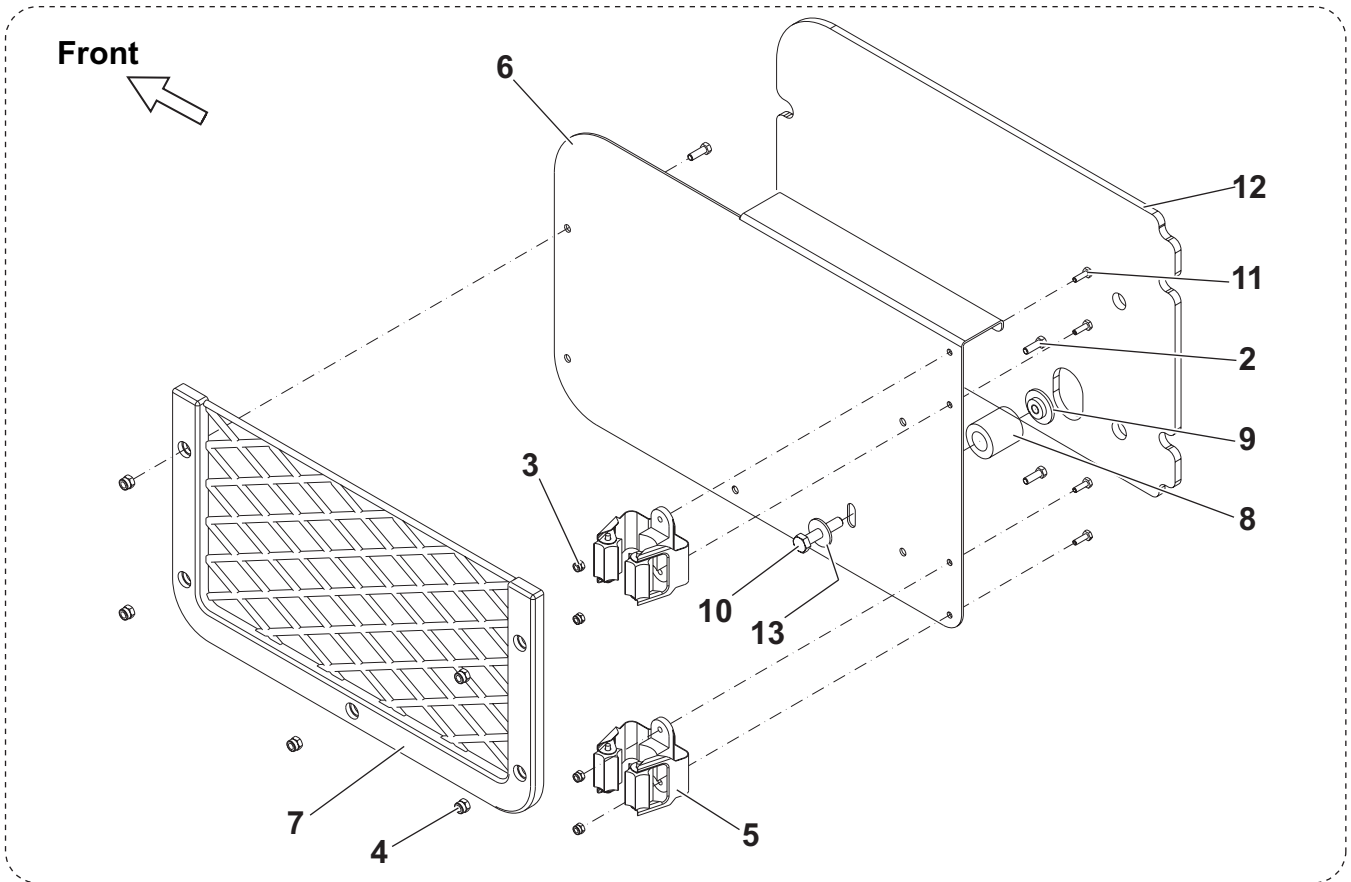
BATTERY CHARGER

SC3000 26" Disc - SC3000 28" Cyl.

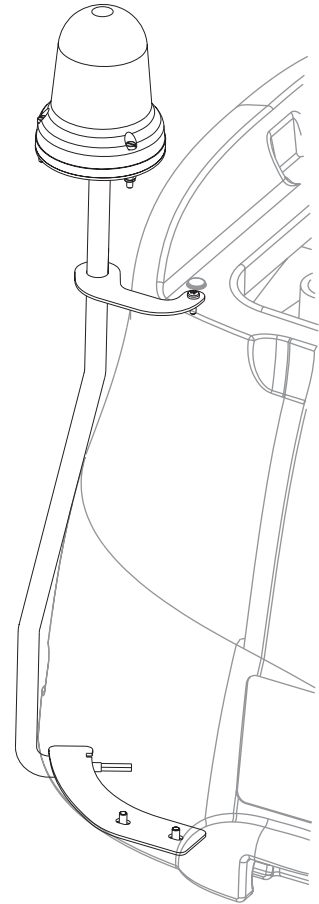
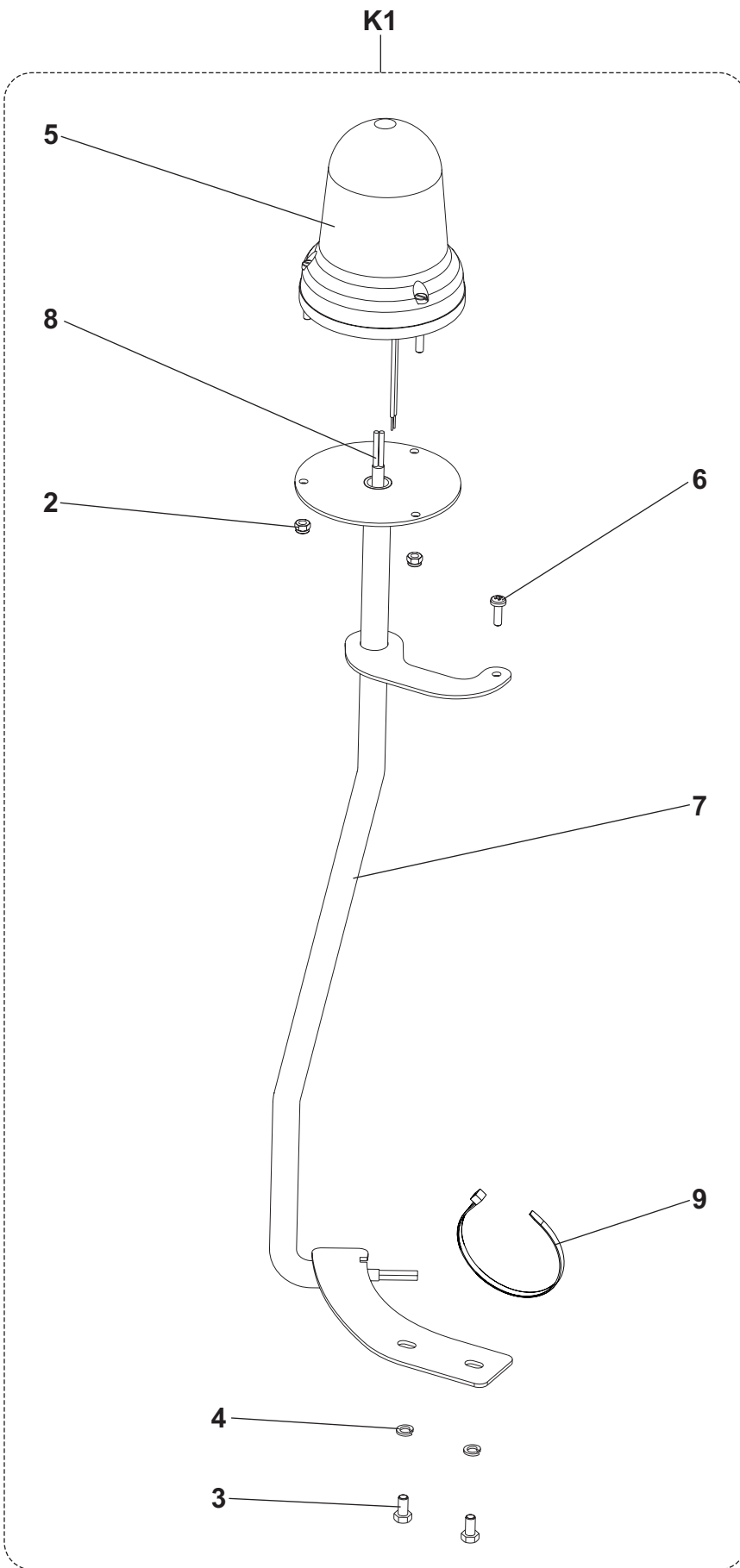
39

Kit	Item No.	Ref. No.	Qty	Description
K1	1	9098859000	1	HEATSINK
K1	2		2	WASHER 6X18 UNI6592
K1	3		1	SCREW M6X25 UNI5739
K1	4		4	SCREW M8X20 UNI5739
K1	5		1	NUT HEX M6 UNI5589
K1	6		4	NUT SELF L. M8 UNI7473
K1	7		1	NUT SELF L. M6 UNI7474
K1	8		4	WASHER M8 UNI6592
K1	9	9097916000	1	PLATE BATTERY CHARGER
K1	10		2	SCREW CYL HD 5X16 SELF L.
K1	11		2	SEAL
K1	12	9098630000	1	CHARGER BATTERY 24V 20A
K1	13	9098677000	1	CABLE EXTENSION FOR CHARG US
K1	14		1	CLAMP CABLE BLACK
	K1	9098198000	1	BATTERY CHARGER KIT
		9098215000	1	INSTALLATION INSTRUCTION

9098828000



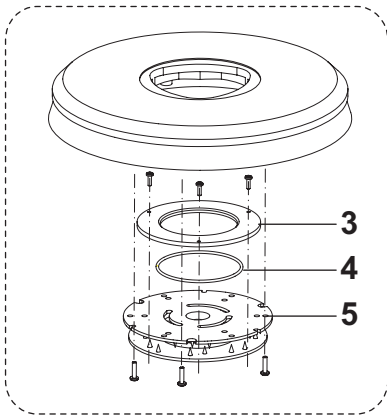
Kit	Item No.	Ref. No.	Qty	Description
	K1*	9097815000	1	MOP AND TRASH KIT
K1	2		5	SCREW M4X12 UNI5739
K1	3		4	NUT SELF L. M3 UNI7474
K1	4		5	NUT SELF L. M4 UNI7473
K1	5	33017513	2	HOLDER BROOM
K1	6		1	SHEET SUPPORT KIT
K1	7	9097947000	1	NET 6x5
K1	8		1	EXPANDER
K1	9		1	EXPANDER FLANGE
K1	10		1	SCREW M6X30 UNI5739 SS
K1	11		4	SCREW M3X10 UNI5739
K1	12		1	MOUSSE
K1	13		1	WASHER, FLAT
	K2*	9098480000	1	BASKET KIT
K2	14		1	BASKET SUPPORT
K2	15		4	READ ROLLING SCR 5x16
K2	16		7	COVER FOR SCREW TCB 4.8mm
K2	17	9098250000	1	BASKET
K2	18		1	PARTITION
K2	19		3	THREAD ROLLING SCR, PAN PHIL
K2	20		1	DECAL TEMPLATE



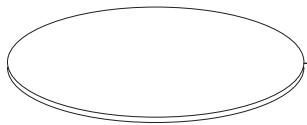
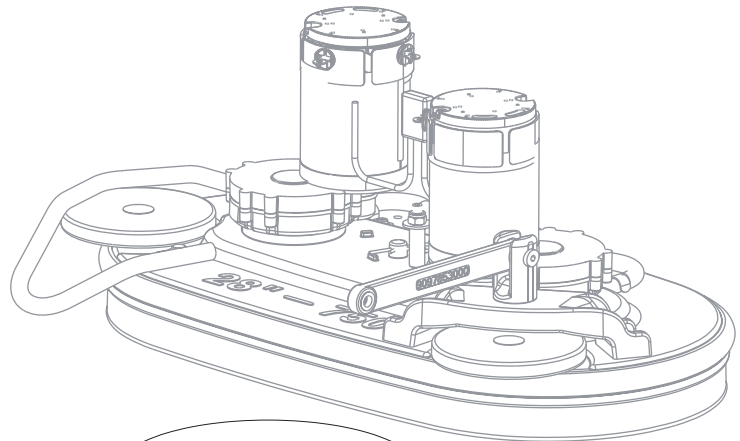
Front

2010-10	ACCESSORIES			
	SC3000 26" Disc - SC3000 28" Cyl.			43

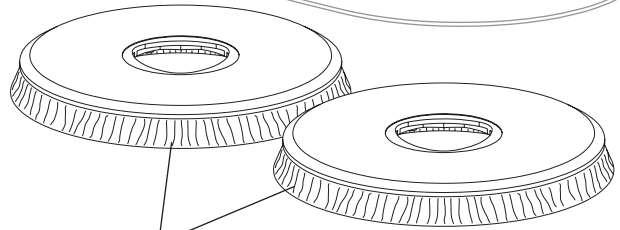
Kit	Item No.	Ref. No.	Qty	Description
	K1*	9098164000	1	FLASHING BEACON KIT
K1	2		3	NUT SELF L. M4 UNI7474 SS
K1	3		2	SCREW M5X10 UNI5739
K1	4		2	WASHER M5 UNI1751B
K1	5	146 1155 000	1	BEACON, WARNING 10-120V
K1	6		1	SCREW 3.9X13 UNI6954
K1	7		1	FLASHING BEACON SUPPORT
K1	8		1	FLASHING BEACON WIRING
K1	9		1	CLAMP BLACK
	[K2]*	9098772000	1	NOISE REDUCTION KIT
		9098773000	1	ASSEMBLY INSTRUCCION



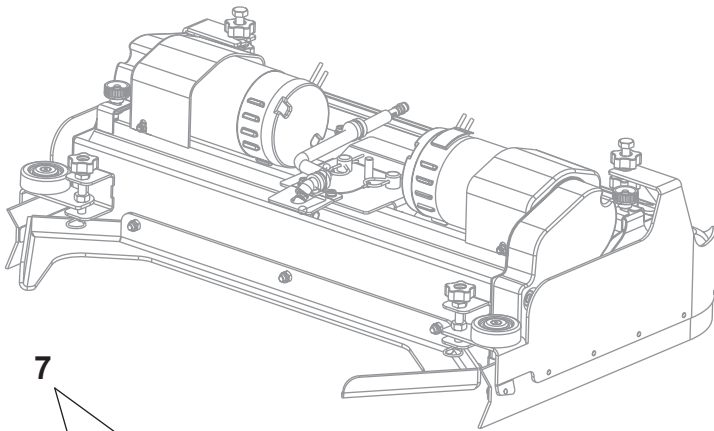
2



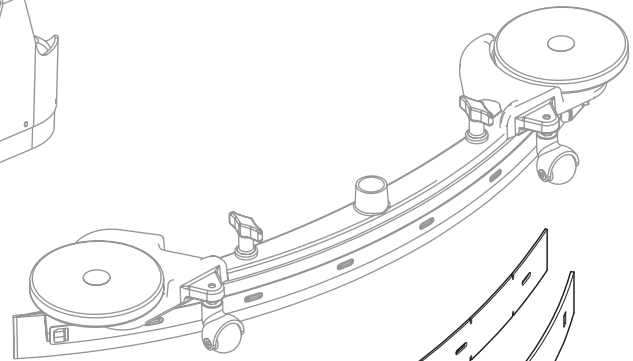
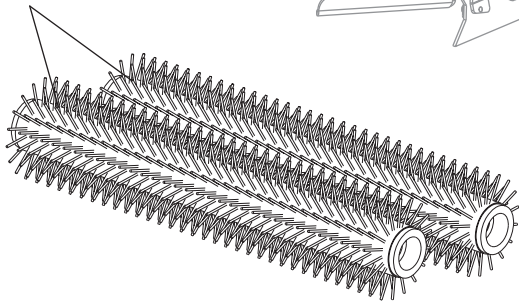
6



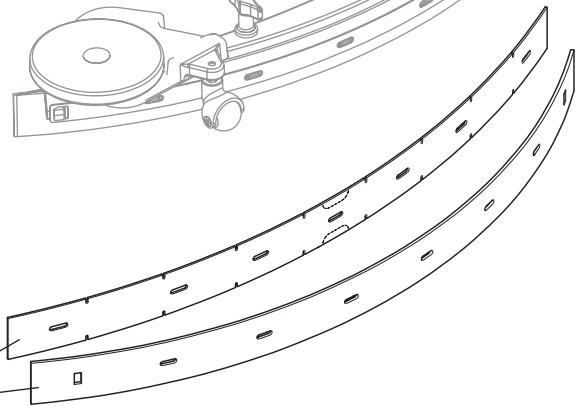
1



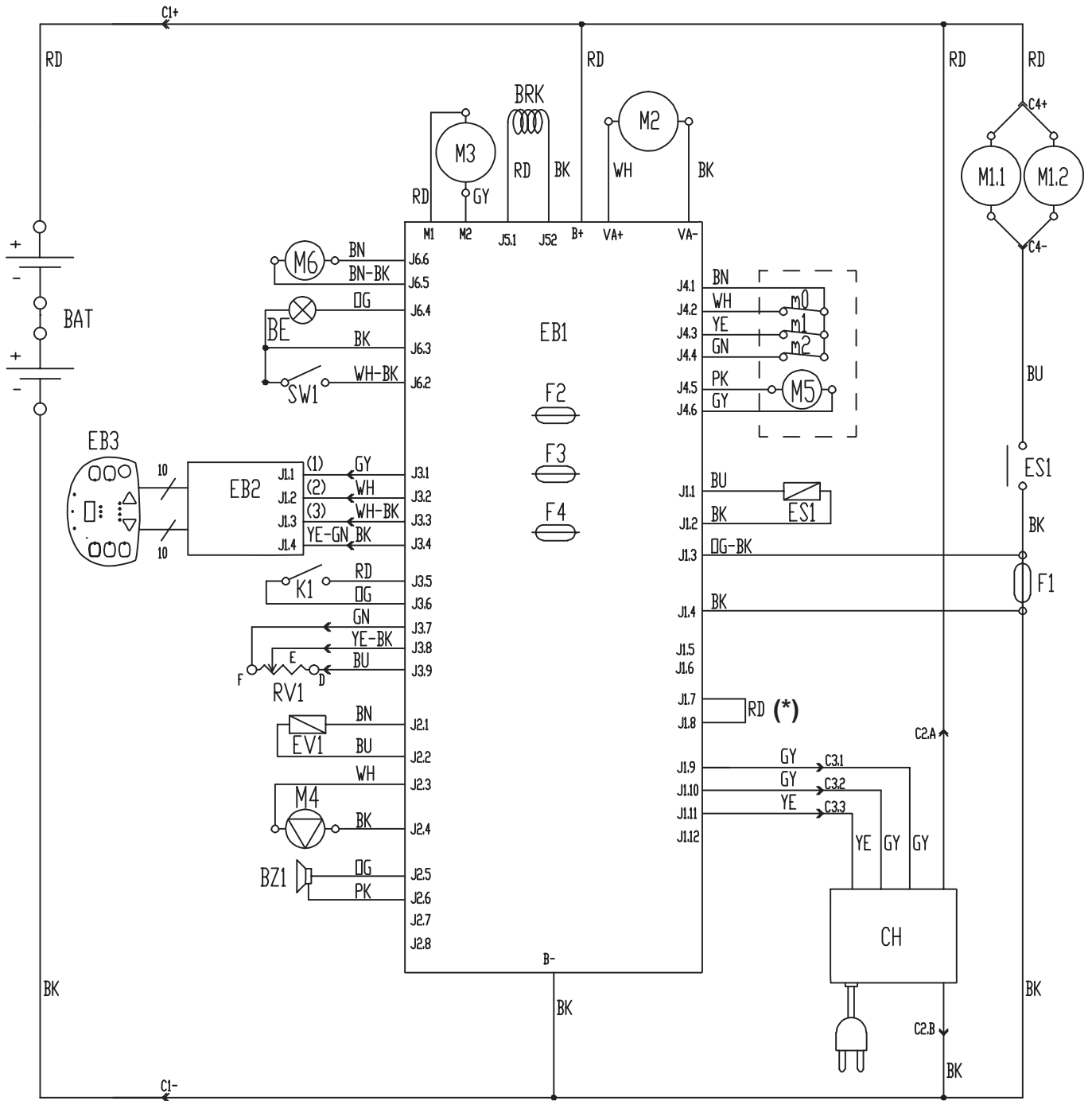
7



8



Kit	Item No.	Ref. No.	Qty	Description
				BRUSHES D.330 FOR BRUSH DECK 26"
	1*	909 5340 000	2	UNION MIX
	1*	909 5332 000	2	PROLENE
	1*	909 5338 000	2	PROLITE
	1*	909 5334 000	2	MIDGRIT 240
	1*	909 5336 000	2	MIDLITE GRIT 180
				PAD HOLDERS
	2*	909 5330 000	2	PAD HOLDER 330
	3	L08603936	1	RING NYLON
	4	L08603965	1	SEAL O-RING
	5	L08837030	1	RETAINER PAD
	6*	82256900	2	PAD 13 330MM RED 5PCS
	6*	82257000	2	PAD 13 330MM WHITE 5PCS
	6*	82257100	2	PAD 13 330MM BLACK 5PCS
	6*	82357200	2	PAD 13 330MM GREEN 5PCS
	6*	82322000	2	PAD 13 330MM BLUE 5PCS
	6*	82322100	2	PAD 13 330MM BROWN 5PCS
				CYLINDRICAL BRUSHES
	7*	56412191	2	BRUSH SOFT NYLON 28" - YELLOW
	7*	56412192	2	BRUSH HARD NYLON 28" - NATURAL
	7*	56412046	2	BRUSH POLYPROPYLENE 28" - RED
	7*	56412193	2	BRUSH 180 GRIT 28" - BLUE/GREY
	7*	56412194	2	BRUSH 80 GRIT 28" - BLACK
	7*	56412195	2	BRUSH 46 GRIT 28" - ORANGE/BROWN
				BLADES KITS
	8*	9097804000	1	BLADES RUBBER 890MM/35" KIT



Key	Ref. No.	Description
BAT	-	24V BATTERIES
BE	146 1155 000	BEACON (OPT)
BRK	9098626000	ELECTROMAGNETIC BRAKE
BZ1	909 6126 000	BUZZER
C1	9098762000	BATTERY CONNECTOR
C2	9098762000	MAIN CHARGER CONNECTOR
C3	9098762000	SECONDARY CHARGER CONNECTOR
C4	9098761000	BRUSH DECK CONNECTOR
CH	9098630000	BATTERY CHARGER
EB1	9099071000	MAIN ELECTRONIC BOARD
EB2	9097922000	CONTROL PANEL ELECTRONIC BOARD
EB3	9097986000	DECAL CONTROL PANEL ELECTRONIC BOARD
ES1	9097208000	BRUSH MOTOR ELECTROM. SWITCH
EV1	909 6555 000	ELECTROVALVE
F1	145 9854 000	BRUSH DECK FUSE
F2	9097830000	MAIN BOARD FUSE
F3	145 8368 000	LOW POWER CIRCUIT FUSE
F4	145 9853 000	ACTUATOR FUSE
K1	146 2888 000	KEY SWITCH
M1.1,2	9097178000	DISC BRUSH MOTOR
	9097291000	CYL. BRUSH MOTOR
M2	9097556000	VACUUM MOTOR
M3	9098625000	DRIVE MOTOR
M4	909 6183 000	DETERGENT PUMP
M5	9097852000	DISC BRUSH DECK ACTUATOR MOTOR
	9098417000	CYL. BRUSH DECK ACTUATOR MOTOR
M6	9097985000	SQUEEGEE ACTUATOR MOTOR
m0	-	M6 POS. 0 MICROSWITCH
m1	-	M6 POS. 1 MICROSWITCH
m2	-	M6 POS. 2 MICROSWITCH
PR1	9098897000	WATER PRESSURE GAGE
RV1	9097934000	DRIVE PEDAL POTENTIOMETER
SW1	909 6242 000	SEAT MICROSWITCH

(*) ONLY FOR SC3000 26" DISC

KEY COLOURS

BK	-	BLACK
BU	-	LIGHT BLUE
BN	-	BROWN
GN	-	GREEN
GY	-	GREY
OG	-	ORANGE
PK	-	PINK
RD	-	RED
VT	-	VIOLET
WH	-	WHITE
YE	-	YELLOW

RECOMMENDED SPARE PARTS

2010-10

48

SC3000 26" Disc - SC3000 28" Cyl.

Ref. No.	DESCRIPTION	QTY	MACHINES
WEAR PARTS			
9098716000	BRUSH CARBON KIT	1	26" - 28"C
9098729000	BLADES PU KIT	1	26" - 28"C
909 5224 000	SPLASH GUARD DECK	1	26"
9097960000	SKIRT SIDE CYL.DECK	2	28"C
ORDINARY MAINTENANCE			
9097290000	HOSE FILLING	1	26" - 28"C
9097935000	HOSE DRAIN	1	26" - 28"C
9098169000	HOSE SUCTION	1	26" - 28"C
9098172000	GASKET COVER	1	26" - 28"C
9098407000	WHEEL DRIVE	1	26" - 28"C
9098627000	BRUSH CARBON KIT	1	26" - 28"C
9098115000	FILTER WATER	1	26" - 28"C
9098307000	WHEEL CASTOR D.42	2	26" - 28"C
9097816000	WHEEL REAR D.254 80SH GRE	2	26" - 28"C
909 5380 000	BRUSH CARBON W/HOLDER KIT	2	26"
909 5761 000	BELT POLY-V	1	28"C
909 6731 000	BELT POLY-V	1	28"C
L08603949	BRUSH CARBON KIT	2	28"C
9098734000	TRANSMISSION BELT KIT	2	28"C
EXTRAORDINARY MAINTENANCE			
9098224000	MUFF FRESH WATER	1	26" - 28"C
9098709000	CAP SOLUTION KIT	1	26" - 28"C
909 6242 000	MICROSWITCH	1	26" - 28"C
9097556000	MOTOR VACUUM 3ST 24V 420W	1	26" - 28"C
9098177000	CABLE TANK STOP	1	26" - 28"C
909 6380 000	CLAMP KIT	1	26" - 28"C
9097796000	LEVER BLOCK STEERING WHEE	1	26" - 28"C
9097934000	PEDAL SPEED CONTROL	1	26" - 28"C
9097922000	CARD ELECTRONIC DASHBOARD	1	26" - 28"C
9097986000	DECAL CONTROL PANEL	1	26" - 28"C
146 2888 000	SWITCH KEY WITH CAP	1	26" - 28"C
146 2887 000	KEY -2 PCS-	1	26" - 28"C
9097792000	CABLE DASHBOARD EXTENSION	1	26" - 28"C
9098094000	HARNESS STEERING WHEEL	1	26" - 28"C
9098430000	HARNESS WHEEL MOTOR	1	26" - 28"C
9098626000	BRAKE ELECTRIC.RELEASED	1	26" - 28"C
9098625000	MOTOR ELECTRIC	1	26" - 28"C
909 6555 000	SOLENOID VALVE 24V	1	26" - 28"C
9098380000	STRAP FRONT SQUEEGEE 35	1	26" - 28"C
9098381000	STRAP SKIRT REAR RIGHT 35	1	26" - 28"C
9098382000	STRAP SKIRT REAR LEFT 35	1	26" - 28"C
9098390000	SUPPORT SQUEEGEE DOWN	1	26" - 28"C
9097827000	SUPPORT SQUEEGEE UPPER	1	26" - 28"C
9097931000	ROD EYE M10	2	26" - 28"C
9097985000	JACK MOTOR 24V FOR SQUEEG	1	26" - 28"C
9098708000	SQUEEGEE LIFTING KIT	1	26" - 28"C
9098722000	CENTRING SQUEEGEE KIT	1	26" - 28"C
909 6394 000	LATCH SQUEEGEE KIT	1	26" - 28"C
145 8024 000	KEY JOINT	2	26"
9097178000	REDUCTION GEARMOTOR 400W	2	26"
9097640000	HOLDER POLYGONAL RIGHT	1	26"
9097639000	HOLDER POLYGONAL LEFT	1	26"

Ref. No.	DESCRIPTION	QTY	MACHINES
EXTRAORDINARY MAINTENANCE			
9097850000	SPRING DRAGGING DECK	1	26"
9097852000	JACK MOTOR 24V FOR DECK	1	26"
9097851000	SPRING ZERO SETTING BRUSH	1	26"
9097813000	GUIDE DRAGGING DECK	1	26"
9098417000	JACK MOTOR 24V FOR CYL.DE	1	28"C
145 0461 000	WING NUT M6	8	28"C
9097291000	MOTOR ELECTRIC 600W 24V	2	28"C
9098737000	BRUSH HOLDER KIT	2	28"C
9097208000	SWITCH ELECTROMAGNETIC	1	26" - 28"C
9099071000	CARD ELECTRONIC TRACTION	1	26" - 28"C
9098897000	SENSOR PRESSURE KIT	1	26" - 28"C
145 8368 000	FUSE 3A	1	26" - 28"C
145 9853 000	FUSE 15A	1	26" - 28"C
9097830000	FUSE MIDIFUSE 100A	1	26" - 28"C
145 9854 000	STRIP FUSE 50A	1	26" - 28"C
9098762000	CONNECTOR 120A	1	26" - 28"C
9098630000	CHARGER BATTERY 24V 25A	1	26" - 28"C
9098677000	CABLE EXTENSION FOR CHARG US	1	26" - 28"C
9098658000	HARNESS FOR CYLINDRICAL BRUSH DECK	1	28"C
9098374000	HARNESS BRUSH DECK	1	26"
ACCESSORIES / OPTIONS			
9098455000	MOTOR VACUUM 3 STAGE 670W	1	26" - 28"C
9097474000	SPLASH GUARD W/BRISTLES	1	26"
9098198000	BATTERY CHARGER KIT	1	26" - 28"C
9097818000	ECOFLEX™ KIT	1	26" - 28"C
9097815000	MOP AND TRASH KIT	1	26" - 28"C
9098164000	BEACON KIT	1	26" - 28"C
9098480000	BASKET KIT	1	26" - 28"C
9097804000	BLADES RUBBER 890MM/35" KIT	1	26" - 28"C
9098772000	NOISE REDUCTION KIT	1	26" - 28"C
909 5340 000	UNION MIX	2	26"
909 5332 000	PROLENE	2	26"
909 5338 000	PROLITE	2	26"
909 5334 000	MIDGRIT 240	2	26"
909 5336 000	MIDLITE GRIT 180	2	26"
909 5330 000	PAD HOLDER 330	2	26"
56412191	BRUSH SOFT NYLON 28" - YELLOW	2	28"C
56412192	BRUSH HARD NYLON 28" - NATURAL	2	28"C
56412046	BRUSH POLYPROPYLENE 28" - RED	2	28"C
56412193	BRUSH 180 GRIT 28" - BLUE/GREY	2	28"C
56412194	BRUSH 80 GRIT 28" - BLACK	2	28"C
56412195	BRUSH 46 GRIT 28" - ORANGE/BROWN	2	28"C



14600 21st Avenue North
Plymouth, MN 55447-3408
www.advance-us.com
Phone: 800-989-2235
Fax: 800-989-6566
©2011 Nilfisk-Advance, Inc.