



Electronic Service Manuals

This electronic document is provided as a service to our customers. We do not create the contents of the information contained in this document. Should you have detailed questions pertaining to the information contained in this document, you may contact Michco, or the manufacturer which provided the original information in this electronic deliverable. Michco's only part in this electronic deliverable was the electronic assembly process. By providing this manual on line we are not guaranteeing parts availability.

You may contact Michco through the following methods:

Phone (517) 484-9312 or (800) 331-3339

2011 N. High St. -- Lansing, Michigan -- 48906

Fax: (517) 484-9836

Email: CustServe@Michco.com

Web site: www.Michco.Com

Parts Web site: www.FloorMachineParts.Com

Order Parts on Line at:

www.FloorMachineParts.Com

Directly to Parts & Service:

By Email: **Shop@Michco.com**

By Fax: (517) 702-2041

By Voice: Use numbers above.

Serving the Cleaning Industry Since 1922

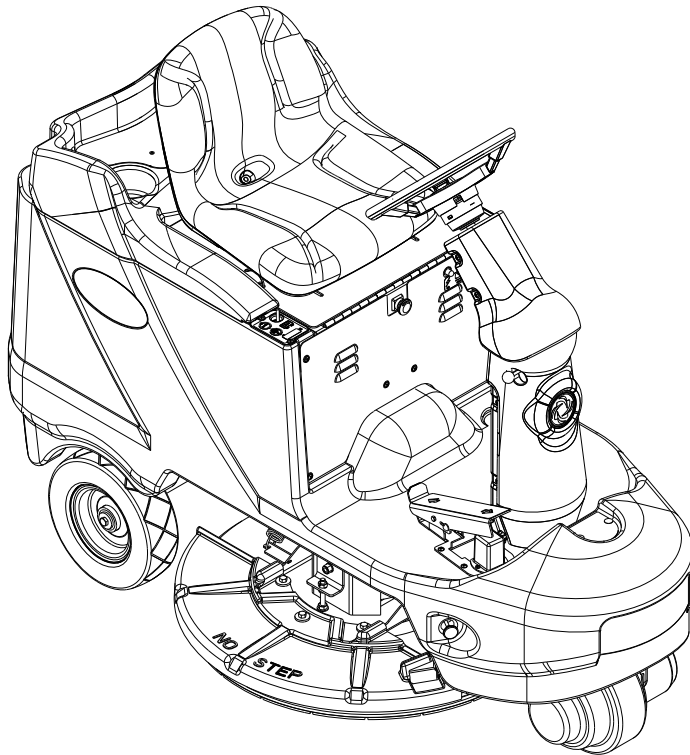
Notice: All copyrighted material remains property of original owners, all trademarks are property of respective owners. Manuals are subject to Manufacturer's reproduction limitations. Originals or reproductions were provided by manufacturers through a request. We make no warranty as to the correctness of information provided in this document and you assume all risk. By placing these manuals on line we are not declaring our corporation to be an manufacturer authorized dealer or provider, please check our web site for authorized manufacturers we represent.

UHR70-1700

Parts List



5/2009 revised 9/2016 REV B
Form no. 56042529



Model: 56422001

TABLE OF CONTENTS

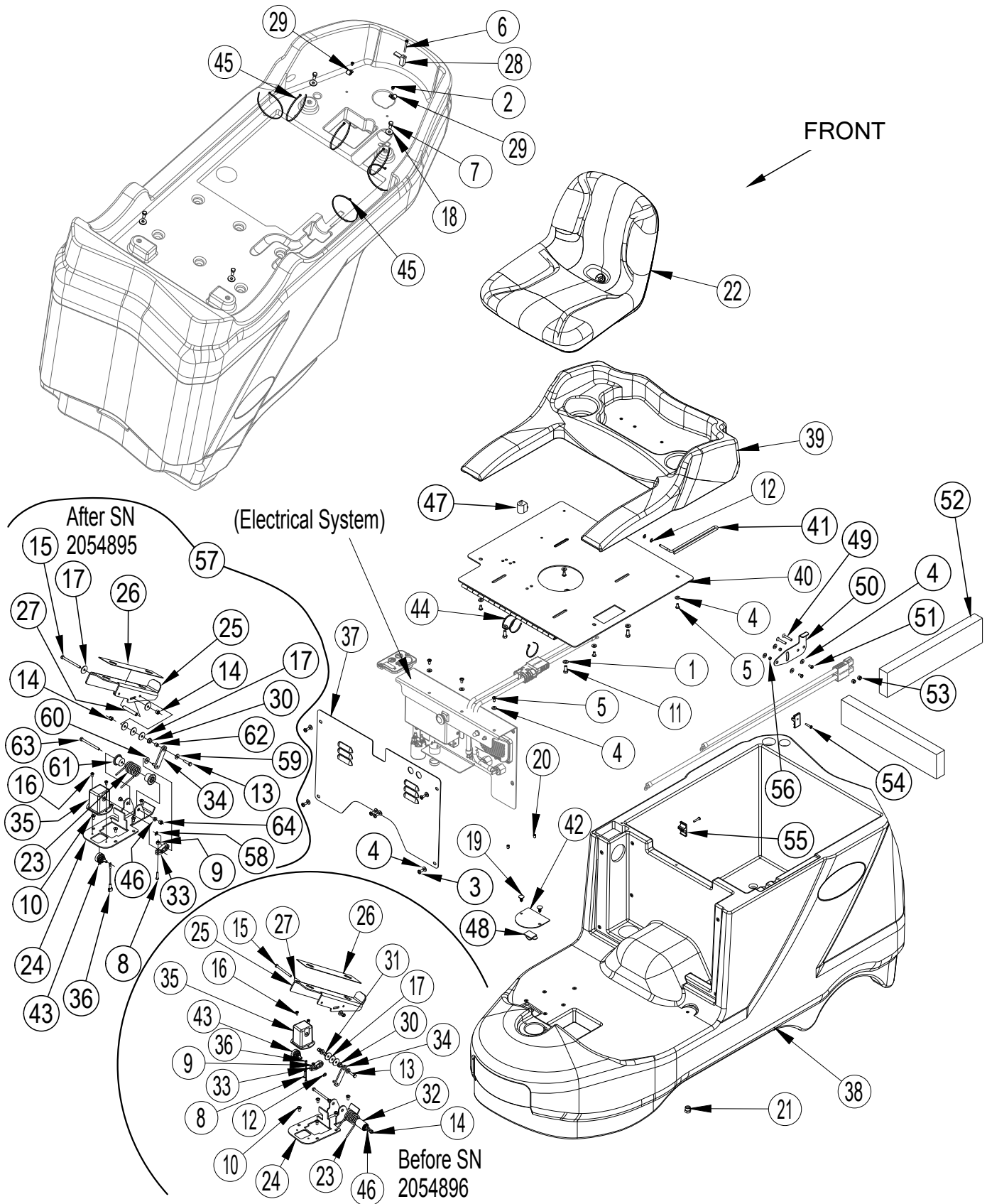
DESCRIPTION	PAGE
Body System.....	2-3
Chassis System.....	4-5
Decal System.....	6-7
Electrical System.....	8-9
Pad Drive System.....	10-11
Steering System.....	12-13
Ladder Diagram.....	14-15
Optional Kits & Accessories.....	16

WHEN ORDERING PARTS

- * Use the part numbers from the "Ref. No." columns in this parts list.
- * Specify the model and serial number of the machine.
- * Use the space below to record the model and serial number for future reference.

Model _____ Serial No. _____

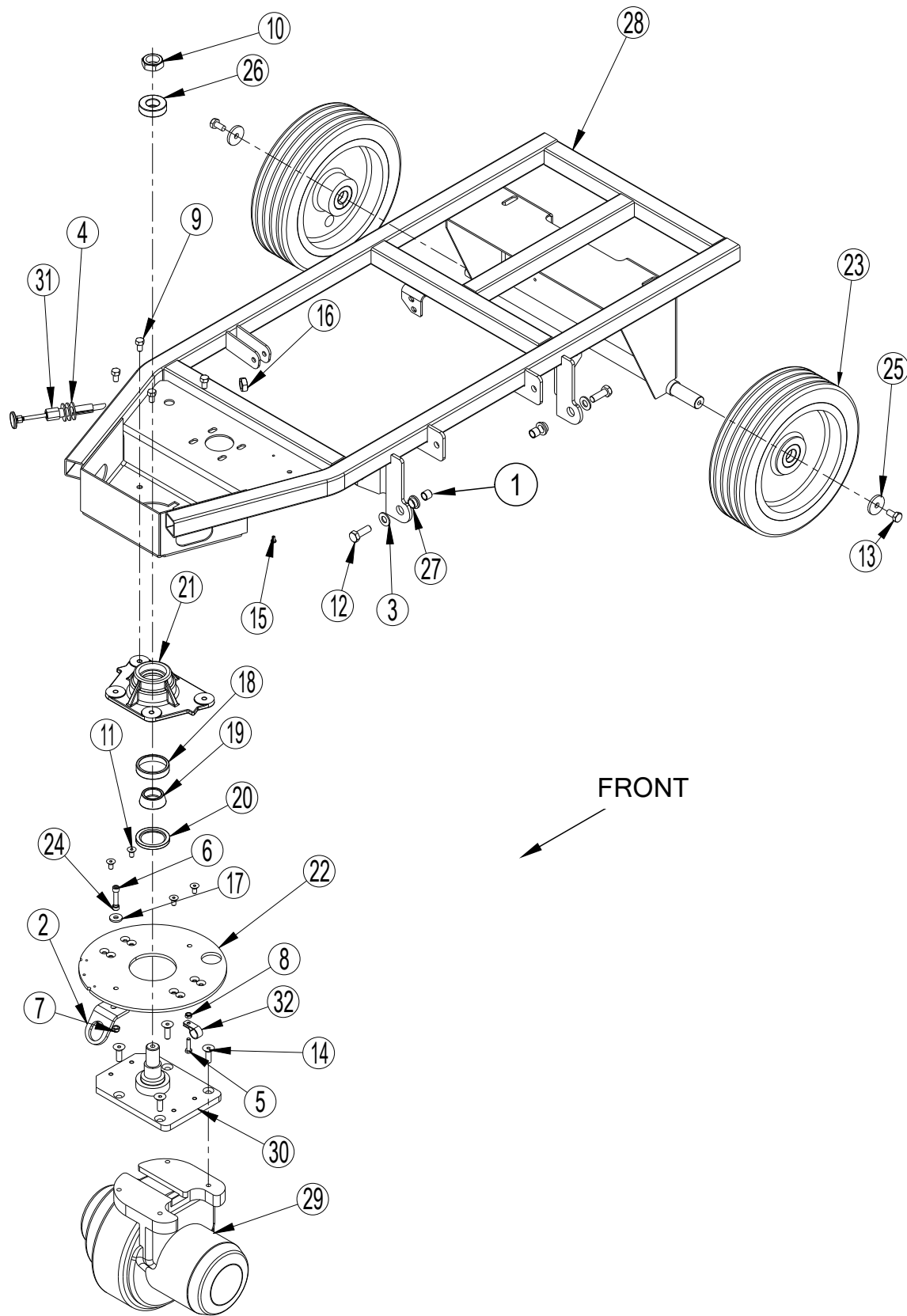
BODY SYSTEM



BODY SYSTEM

Item	Ref. No.	Qty	Description	Item	Ref. No.	Qty	Description
1	56001939	4	Wsh, Flt SAE 5/16	58	56003268	1	Ring, Ret Ext Type E Reinf. 0.25 Dia NOTE 1
2	56002043	2	Scr, Pan Phil 10-24 X .38	59	56002098	1	Wsh, Flt SAE 1/4 NOTE 1
3	56002066	4	Scr, Pan Phil 1/4-20 X .62	60	56009025	1	Wsh, Flt .266 x .750 x .036 NOTE 1
4	56002098	15	Wsh, Flt SAE 1/4	61	56380438	2	Spacer, Spring NOTE 1
5	56002145	7	Scr, Pan Phil 1/4-20 X .50	62	56380440	1	Bushing, M6 x .375 x .295 NOTE 1
6	56002171	1	Scr, Pan Phil 10-24 X 2.00	63	56002063	1	Scr-Hex 1/4-20 x 3.00 NOTE 1
7	56002667	4	Scr, Hex 5/16-18 X .75	64	56002708	1	Nut-Hex Nyl Loc 1/4-20 NOTE 1
8	56002733	1	Scr, Pan Phil 10-24 X .88	NOTE 1: These parts are only used after serial number 2054895.			
9	56002768	1	Nut, Hex Nyl Loc 10-24	NOTE 2: If you need to replace either of these items please order Pedal Assembly 56413421.			
10	56003119	5	Scr, Pan Phil SS 1/4-20 X .50	NOTE 3: Seat 8-69-00022 (steel seat pan) has been replaced by Seat 56383187 (plastic seat pan) in production. Please order Seat Kit 56383240 when replacing Seat 8-69-00022.			
11	56002221	4	Scr-Hex 5/16-18 X 1.00				
12	56003268	2	Ring, Ret Ext Type E Reinf. 0.25 Dia				
13	56003358	1	Scr, Hex M6-1 X 25mm				
14	56003403	2	Nut, Hex Nyl Loc M6-1				
15	56003428	1	Scr, Hex M6-1 X 75mm				
16	56009030	2	Scr, Pan Phil Thd Form 10-24 X .38				
17	56009060	3	Wsh, Flt SS .260 X 1.000 X .074 (qty of 5 after SN 2054896)				
18	56009122	4	Wsh, Flt .344 X .938 X .125				
19	56003263	2	Rivet, Nylon Tree Push-In (.25)				
20	56249946	2	Insert, Brass 10-24				
21	56261421	1	Plug, Hex Pipe				
22	56383187	1	Seat NOTE 3				
23	56314037	1	Spring, Torsion				
24		1	Bracket, Foot Pedal NOTE 2				
25		1	Foot Pedal NOTE 2				
26	56314176	1	Mat, Pedal				
27	56380439	1	Bushing				
28	56314608	1	Clamp, Cable				
29	56323277	2	Clamp, P				
30	56324505	1	Bearing, Flange				
31	56368989	1	Bushing				
32	56409378	1	Spacer, Nylon				
33	56409471	1	Lever, Throttle				
34	56409610	1	Link Weldment				
35	56412094	1	Housing, Potentiometer				
36	56412331	1	Wire Assy.				
37	56422029	1	Cover, Electrical Compartment				
38	56422056	1	Body, Main				
39	56422067	1	Cover, Battery				
40	56422073	1	Weldment, Seat Panel				
41	56422080	1	Prop Rod				
42	56422082	1	Cover, Spindle				
43	56454740	1	Potentiometer, 5K (R1)				
44	56478246	3	Tie, Cable				
45	56478523	6	Tie, Cable				
46	56756318	2	Bearing, Flange				
47	7-82-00050	1	Switch				
48	7-13-07096	1	Clamp, Adjustable				
49	56001972	2	Scr, Flt Phil 1/4-20 x 1.50				
50	56422165	1	Bracket, Connector				
51	56009204	2	Scr, Button Soc 1/4-20 x .50				
52	56314119	2	Spacer, Battery				
53	56002708	2	Nut, Hex Ny Loc 1/4-20				
54	56002674	2	Scr, Pan Phil 10-24 x 1.00				
55	56314155	2	Clamp, Cable				
56	56163872	2	Bushing				
57	56413421	1	Pedal Assembly NOTE 1 (items 8-9, 13-17, 23-27, 30, 33-36, 43, 46 & 58-62)				

CHASSIS SYSTEM



FRONT

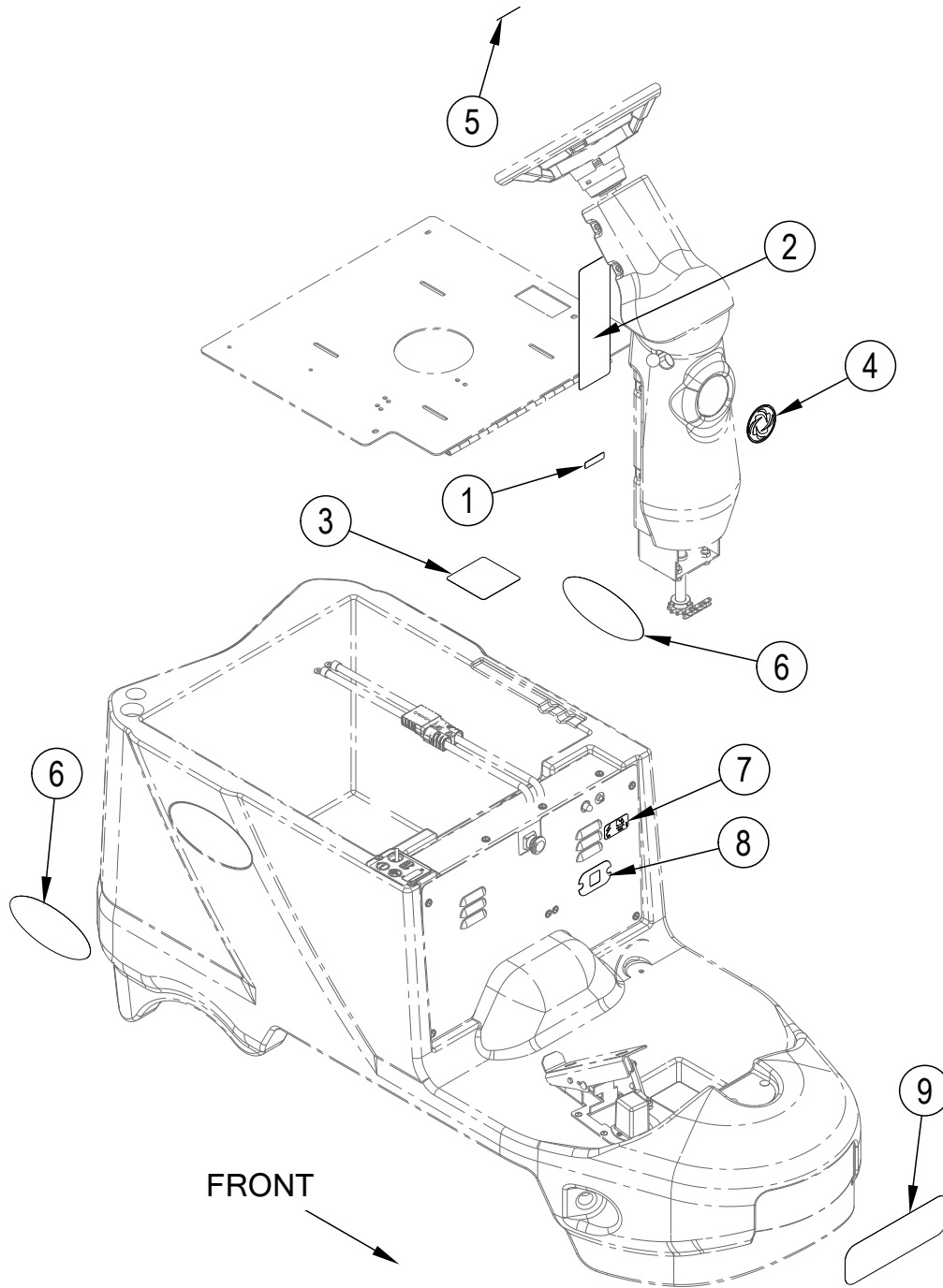
CHASSIS SYSTEM

Item	Ref. No.	Qty	Description
1	56422177	2	Bushing, M12 x .625 x .535
2	56412209	1	Bracket, Tie Down
3	56009017	2	Wsh, Flt Harden .516 x .938 x .075
4	56002022	3	Wsh, Flt SAE 5/8
5	56001836	1	Scr, Hex 1/4-20 X .62
6	56002131	1	Scr, Soc Hd 5/16-18 X 1.25
7	56002826	1	Nut, Hex Nyl Loc-Thin 5/16-18
8	56002840	1	Nut, Hex Nyl Loc-Thin 1/4-20
9	56003040	4	Scr, Hex Hd Loc 3/8-16x.62
10	56003220	1	Nut, Hex Nyl Loc-Thin 1-14
11	56003394	4	Scr, Flt Soc 5/16-18 X .62
12	56003415	2	Scr, Hex M12-1.75 X 35mm
13	56003442	2	Scr, Hex Loc M10-1.5 X 20mm
14	56003738	4	Scr, Flt Soc M10-1.50 X 25mm
15	56009030	1	Scr, Pan Phil Thd Form 10-24 X .38
16	56009099	1	Nut, Hex Jam 5/8-18
17	56009122	1	Wsh, Flt .344 X .938 X .125
18	56158143	1	Bearing Cup
19	56158151	1	Bearing Cone
20	56171081	1	Seal, Shaft
21	56314032	1	Block, Bearing
22	56314116	1	Plate, Steering
23#	56382693	2	Wheel TSB-FC-2015-033
*	56111531	4	Bearing-Ball (2 per wheel)
24	56320595	1	Bushing .32x.50x.28
25	56367117	2	Wsh, Flt .406 X 1.5 X .1875
26	56378380	1	Bearing Ball
27	56420160	2	Bearing, Flange
28	56422020	1	Chassis Weldment
29	56422047	1	Motor / Drive Wheel (M1)
*	56380310	1	Kit-Brake Lever
*	56422150	1	Wheel Drive Tire Kit
*	56422151	1	Replacement Motor
*	56422152	1	Brush & Spring Kit
*	56422172	1	Tire
*	56422173	1	Brake, Electromagnetic
*	56504481	1	Cover, Gearbox Motor
*	56504482	1	Cover, Drive Motor
*	56422174	1	Tire Puller Kit
30	56422060	1	Spindle Weldment
31	56422078	1	Latch Assembly
32	56486112	1	Clamp, P

* = Not Shown

= Revised or new since last update

DECAL SYSTEM



DECAL SYSTEM

Item	Ref. No.	Qty	Description
1	56014450	1	Decal, Patent Number
2	56014601	1	Decal, Caution
3	56015242	1	Decal, Battery Wiring
4	56016348	1	Decal, Logo
5	56016421	1	Decal, Logo 2 Inch
6	56015288	2	Decal, UHR 70-1700
7	56015296	1	Decal, Circuit Breaker
8	56016146	1	Decal, Emergency Disconnect
9	56016731	1	Decal, Nilfisk

ELECTRICAL SYSTEM

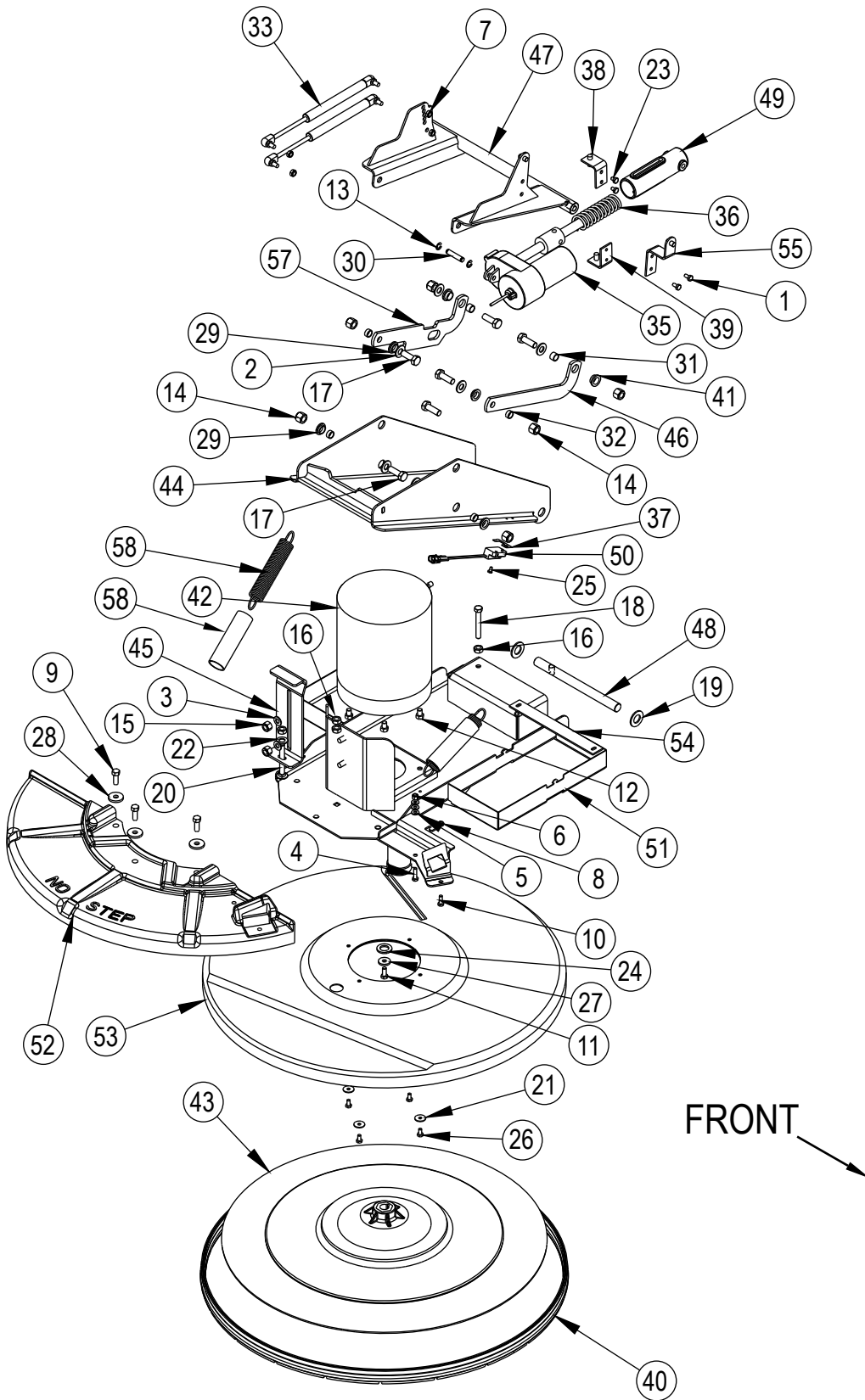
Item	Ref. No.	Qty	Description
1	56009020	2	Stud
2	56009203	1	Stud, 1/4-20
3#	56395450	1	Contactora 36v (K1 / Pad Motor)
4	56407130	1	Disconnect, Emergency (S10)
5	56409485	5	Cable, Battery (Not Shown)
6	56412089	1	Fuse, 150 Amp (F1)
7	56412177	1	Horn/Backup Alarm (H1)
8	56469858	3	Electrical Mount
9	56002145	4	Scr, Pan Phil 1/4-20 X .50
10	56002146	2	Scr, Pan Phil 8-32 X .62
11	56002561	3	Nut, Hex W/ Shprf 1/4-20
12	56002840	4	Nut, Hex Nyl Loc-Thin 1/4-20
13	56009063	1	Scr, Hex Thd Form 10-24 X .25
14	56009206	2	Scr, Truss Phil-Blk 10-24 x .50
15	56160512	2	Strain Relief .600
16	56303299	1	Circuit Breaker, 40 Amp (CB2 / Wheel Drive)
17	56315255	1	Circuit Breaker, 5 Amp (CB1 / Control Circuit)
18	56372673	12	Boot, Battery Post (Not Shown)
19	56422070	1	Panel, Electronic
20#	56422190	1	Control Box Assembly TSB-FC-2016-267 NOTE 1
21	56422107	1	I/O Panel Assembly
*	145 0372 000	1	Key Switch (S1)
*	146 2887 000	1	Replacement Key (set of 2)
22	56422114	1	Controller, Speed (A1) TSBUS2008-991
23	56422115	1	Harness, Main (Not Shown)
24	56422116	1	Harness, Traction (Not Shown)
25	56422117	1	Connector Assembly
26	56422118	1	Connector Assembly
27	56422129	1	Cable Asm, Red 4-1 (Not Shown)
28	56422130	1	Cable Asm, Red 4-2 (Not Shown)
29	56422159	1	Bushing, Open/Closed 1.25

* = Not Shown

= Revised or new since last update

NOTE 1: Control Box Assembly 56422100 is obsolete and replaced by 56422182 as of serial number 2062974. Control Box Assembly 56422182 is obsolete and replaced by 56422190 as of serial number 400011163.

PAD DRIVE SYSTEM



PAD DRIVE SYSTEM

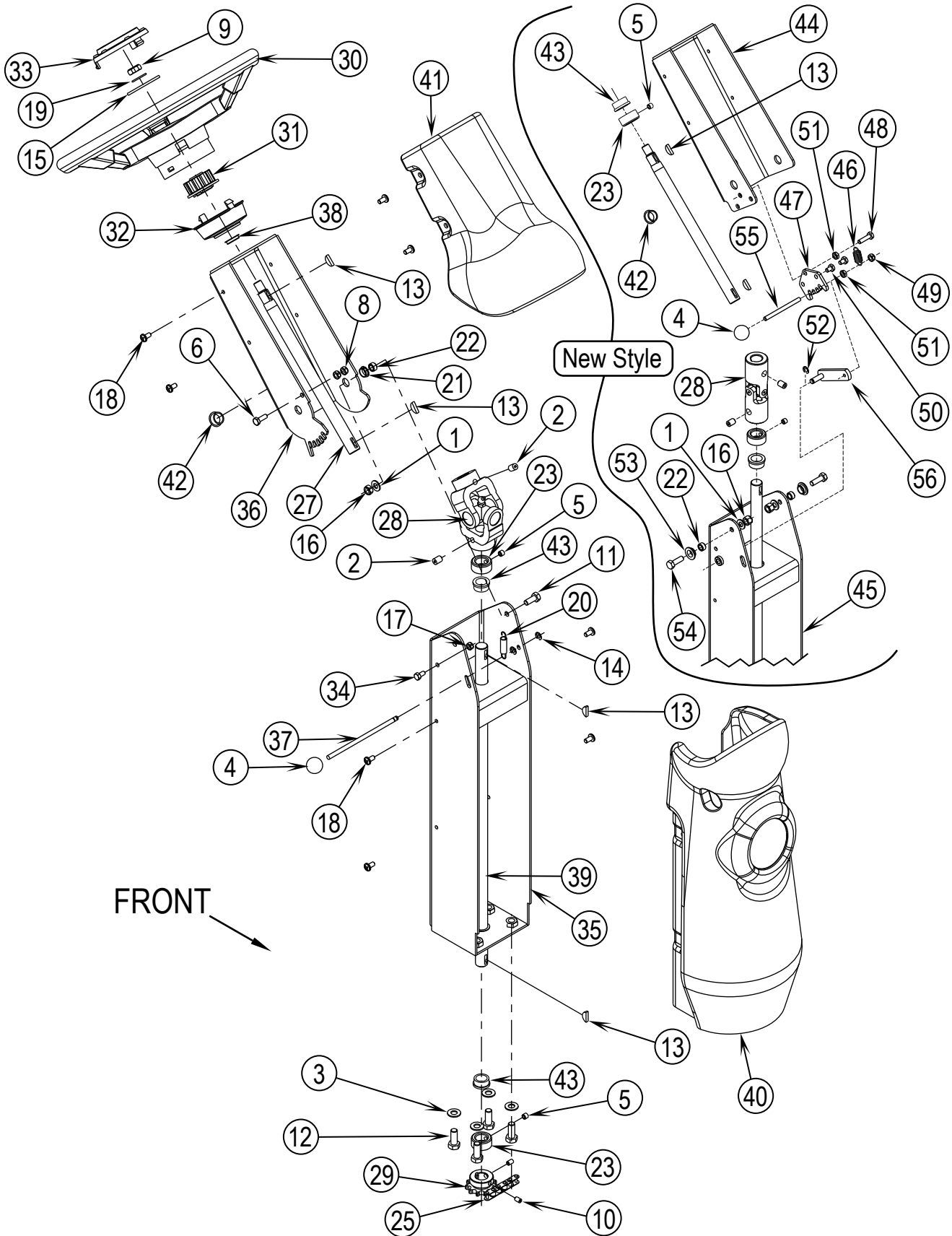
Item	Ref. No.	Qty	Description	Item	Ref. No.	Qty	Description
1	56001854	2	Scr, Hex 1/4-20 X .50	41	56420160	2	Bearing, Flange
2	56009017	6	Wsh, Flt Harden .516 x .938 x .075	42#	56422030	1	Motor (M2) TSB-FC-2013-131, TSB-FC-2016-257
3	56002063	4	Wsh, Flt SAE 3/8	*	56422153	1	Brush & Spring Kit
4	56001832	1	Scr, Flt Phil 1/4-20 X 1.00	43	56422187	1	Pad Driver Assy
5	56002098	2	Wsh, Flt SAE 1/4	*	56422095	1	Pad Retainer
6	56002708	1	Nut, Hex Nyl Loc 1/4-20	44	56422036	1	Linkage Weldment
7	56002826	4	Nut, Hex Nyl Loc-Thin 5/16-18	45	56422039	1	Bracket, Adjustable TSBUS2008-990
8	56002840	1	Nut, Hex Nyl Loc-Thin 1/4-20	46	56422041	1	Bar, Linkage
9	56002947	3	Scr, Hex Hd Loc 3/8-16x1.00	47	56422042	1	Linkage, Arm Weldment
10	56002948	1	Scr, Hex Hd Loc 1/4-20x.75	48	56422046	1	Shaft, Pivot
11	56002956	1	Scr, Hex Hd Loc 5/16-18x.75	49	56422084	1	Spring Housing, Actuator
12	56003023	4	Scr, Hex Hd Loc 3/8-16x.50	50	56422126	1	Sensor, Proximity (S3)
13	56003262	2	Ring, Ret Ext Type E 0.38 Dia	51	56422132	1	Weldment, Shroud
14	56003312	6	Nut, Hex Nyl Loc M12-1.75	52	56422137	1	Pad Cover
15	56003406	2	Nut, Hex Nyl Loc M10-1.5	53	56422141	1	Shroud, Dust Assy
16	56003409	4	Nut, Hex M10-1.5	54	56422144	1	Strap, Bag
17	56003415	6	Scr, Hex M12-1.75 X 35mm	55	56422147	1	Weldment, Mount
18	56003422	1	Scr, Hex Thd To Hd M10-1.5 X 70mm	56			Intentionally Omitted
19	56003719	2	Wsh, Flt Nylon .760 X 1.420 X .100	57	56422157	1	Bar, Linkage
20	56003731	1	Scr, Carriage Thd To Hd M10-1-5 X 80 Mm Cl 8.8	58	56422175	1	Kit-Spring Replacement
21	56009002	4	Wsh, Flt .266 X .906 X .060	**	56420163	A/R	Pad, 27"(68.58cm) Natural, Case of 5
22	56009003	2	Wsh, Flt .516 X .938 X .075	**	56420162	A/R	Pad, 27"(68.58cm) Topline, Case of 5
23	56009019	2	Scr, Hex Thd Form 1/4-20 X .38	**	56422149	A/R	Kit, Linkage Bushings & Hardware (#2, 14, 16-19, 29, 31, 32, 41 & 48) (#1, 3, 12 & 27 on Chassis System)
24	56009022	1	Wsh, Flt .754 X 1.250 X .120				
25	56009030	1	Scr, Pan Phil Thd Form 10-24 X .38				
26	56009033	4	Scr, Hex Thd Form 1/4-20 X .50				
27	56009057	1	Wsh, Flt Harden .344x1.000x.120/.135				
28	56009195	6	Wsh, Flt .406 X 1.25 X .164				
29	56100084	4	Bearing, Flange				
30	56104760	1	Pin				
31	56422176	2	Bushing, M12 x .625 x .440				
32	56422178	4	Bushing, M12 x .625 x .480				
33#	56385238	2	Gas Cylinder (before SN 2062973), TSB-FC-2015-027				
	56422179	2	Gas Cylinder (after SN 2062973)				
*	56391185	1	Bag, Disposable, 6 Pack				
35	56393303	1	Actuator, Motor (M3)				
36	56407199	1	Compression Spring (before SN 2062973)				
	56422180	1	Compression Spring (after SN 2062973)				
37	56409769	1	Clip, Weatherpack Mount				
38	56420019	1	Nut Retainer				
39	56420020	1	Nut Retainer				
40	56420024	1	Skirt Assembly				

* = Not Shown

** = Optional, Not Included

= Revised or new since last update

STEERING SYSTEM



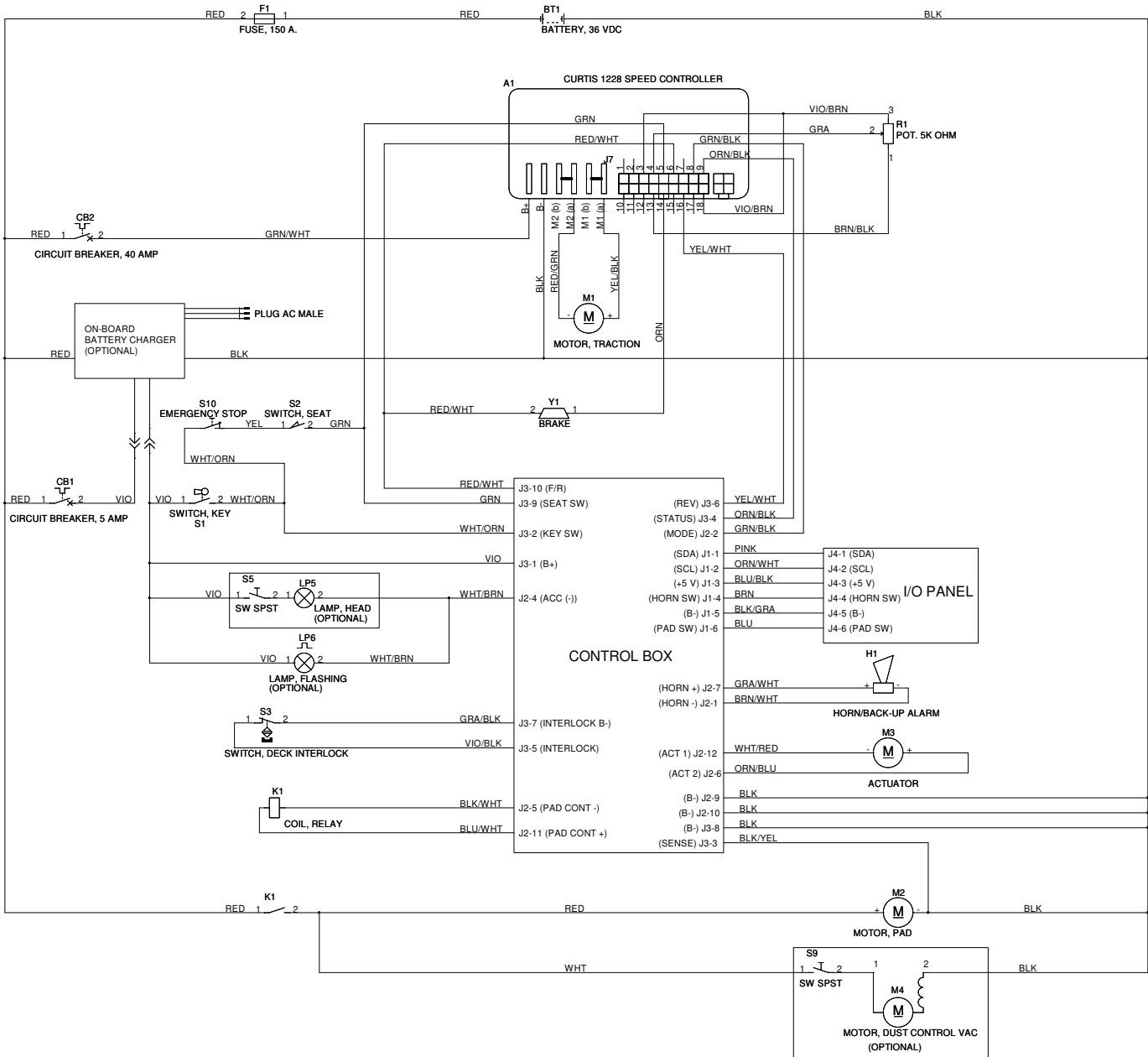
STEERING SYSTEM

Item	Ref. No.	Qty	Description	Item	Ref. No.	Qty	Description
1	56001939	2	Wsh, Flt SAE 5/16	44	56413657	1	Column, Upper NOTE 2
2	56001958	2	Scr, Soc Set Loc 3/8-16 x .50	45#	56413659	1	Lower Column Weldment NOTE 5
3	56002063	4	Wsh, Flt SAE 3/8	45#	56414084	1	Lower Column Weldment
4	56440817	1	Knob	46#	56305072	1	Spring, Extension .075 NOTE 5
4#	56414088	1	Knob NOTE 6	46#	56112054	1	Spring, Extension .43 x 1.75
5	56002086	2	Scr, Soc Set Loc 5/16-18 x .25 NOTE 4	47#	56413658	1	Ratchet, Steering Column NOTE 5
6	56002155	1	Scr, Hex Hd 1/4-20 x .75 NOTE 1	47#	56414075	1	Ratchet, Steering Column
8	56002840	2	Nut, Hex Nyl Loc-Thin 1/4-20 NOTE 1	48	56002093	1	Scr, Hex 1/4-20 x 1.00 NOTE 2
9	56002843	1	Nut, Hex Nyl Loc-Thin 1/2-13	49#	56002840	1	Nut, Hex Nyl Loc-Thin 1/4-20 NOTE 5
10	56002930	2	Scr, Soc Set Loc 1/4-20 x .38	49#	56002866	1	Nut, Hex Nyl Loc-Thin 1/4-20
11	56003179	2	Scr, Hex Thd To Hd M8-1.25 x 20mm NOTE 1	50	56002933	2	Scr, Hex Hd Loc 1/4-20 x .38 NOTE 2
12	56003186	4	Scr, Hex Thd To Hd M10-1.50 x 25mm	51#	56003145	2	Nut, Hex Jam SS 1/4-20 NOTE 5
13	56003228	4	Key, WDF .75 x .19	51#	56001884	2	Nut, Hex Jam SS 1/4-20
14	56003268	2	Ring, Ret Ext Type E Reinf .25 Dia NOTE 1	52	56003261	1	Ring, Ret Ext Type E 0.31 Dia NOTE 2
15	56003342	1	Wsh, Flt .88 x .25 x .13	53	56413211	2	Bearing, Flange .625 x .500 x .250 NOTE 2
16	56003389	2	Nut, Hex Nyl Loc M8-1.25	54	56003436	2	Scr, Hex SS M8-1.25 x 25mm NOTE 2
17	56003403	1	Nut, Hex Nyl Loc M6-1.00 NOTE 1	55#	56413664	1	Rod NOTE 5
18	56009062	8	Scr, Pan Phil Thd Form 1/4-20 x .50	55#	56414078	1	Rod
19	56001879	1	Wsh, Flt SAE 1/2	56#	56413661	1	Steering Pawl Weldment NOTE 5
20	56245008	1	Spring, Extension NOTE 1	56#	56414081	1	Steering Pawl Weldment
21	56302164	2	Bearing, Flange NOTE 1				
22	56320595	2	Bushing .32 x .50 x .28				
23	56367095	2	Collar, Shaft NOTE 4				
25	56412198	1	Chain, Roller				
27	56420059	1	Shaft, Upper Steering				
28	56454081	1	Universal Joint				
29	56471148	1	Sprocket				
30	56497306	1	Steering Wheel				
31	56497560	1	Wheel Adapter				
32	56497308	1	Cup				
33	56497543	1	Cap				
34	56003155	1	Scr, Hex M6-1.00 x 12mm NOTE 1				
35	56314877	1	Lower Column Weldment NOTE 1				
36	56314093	1	Column, Steering NOTE 1				
37	56314094	1	Rod, Steering lock NOTE 1				
38	56314148	1	Bearing, Nyliner NOTE 1				
39	56422048	1	Shaft, Lower Steering				
40	56314295	1	Shroud, Lower Column				
41	56314296	1	Shroud, Upper Column				
42	56900041	1	Plug, Cap				
43	56250414	2	Bearing, Flange NOTE 3				

= Revised or new since last update

NOTE 1: Used on machines built before serial number 1942960.**NOTE 2:** Used on machines built after serial number 1942959.**NOTE 3:** Quantity of 3 after serial number 1942960.**NOTE 4:** Quantity of 3 after serial number 1000044512.**NOTE 5:** For machines built before November 2015 the Lower Column Weldment part number was 56413659 which is no longer available. To replace order Steering Upgrade Kit 56384447.**NOTE 6:** Used on machines built before November 2015.

LADDER DIAGRAM



LADDER DIAGRAM

Item	Ref. No.	Qty	Description
A1	56422114	1	Speed Controller TSBUS2008-991
#	56422190	1	Control Box TSB-FC-2016-267 NOTE 1
	56422107	1	I/O Panel
BT		A/R	Battery, 36V
CB1	56315255	1	Circuit Breaker, 5 Amp (Control)
CB2	56303299	1	Circuit Breaker, 40 Amp (Traction Drive)
F1	56412089	1	Fuse, 150 Amp
H1	56412177	1	Horn / Back-Up Alarm
K1#	56395450	1	Contactor 36V (Pad Motor)
LP5	56409239	1	Headlight (Optional)
LP6	56307166	1	Beacon, Warning (Optional)
M1	56422047	1	Motor / Drive Wheel
*	56380310	1	Kit-Brake Lever
*	56422150	1	Wheel Drive Tire Kit
*	56422151	1	Replacement Motor
*	56422152	1	Brush & Spring Kit
*	56422172	1	Tire
*	56422173	1	Brake, Electromagnetic
*	56504481	1	Cover, Gearbox Motor
*	56504482	1	Cover, Drive Motor
M2	56422030	1	Motor (Pad Drive)
*	56422153	1	Brush & Spring Kit
M3	56393303	1	Actuator, Motor
M4	56422097	1	Dust Control Vac Motor (Optional)
R1	56454740	1	Potentiometer, 5K
S1	145 0372 000	1	Switch, Key (Main)
*	146 2887 000	1	Replacement Key (set of 2)
S2	56409613	1	Switch (Seat)
S3	56422126	1	Sensor, Proximity
S5	NA	1	Part of LP5
S9	NA	1	Part of M4
S10	56407130	1	Disconnect, Emergency
Y1	NA	1	Part of M1
*	56422115	1	Harness, Main
*	56422116	1	Harness, Traction
*	56409485	5	Cable, Battery

* = Not Shown

= Revised or new since last update

NOTE 1: Control Box Assembly 56422100 is obsolete and replaced by 56422182 as of serial number 2062974. Control Box Assembly 56422182 is obsolete and replaced by 56422190 as of serial number 400011163.

OPTIONAL KITS & ACCESSORIES

Item	Ref. No.	Qty	Description
Optional Kits			
**	56314313	1	Kit, Headlight
**	56397453	1	Kit, Battery Fill Indicator
**	7-03-04249	1	Kit-Seat Armrests (only for 8-69-00022, seat with steel seat pan)
**	56383188	1	Arm Rest Kit R/H + L/H (only for 56383187, seat with plastic seat pan)
**	56314981	1	Kit, Battery Watering
**	56422098	1	Kit, Beacon
**	56422156	1	Kit, Onboard Charger
**	56422186	1	Kit, AGM Onboard Charger
**	56422083	1	Kit, Active Dust Control
**	56422162	1	Kit, Seat Belt
Active Dust Control Options			
**	1406554010	1	Dust Bag, .58 Gallon, 5 pack (Standard)
**	1406794010	1	Round Motor Protection Filter, STD. with Non-Hepa
**	1406597500	1	Exhaust Filter, 3 pack (Standard)
**	1407160010	1	HEPA Filter, Round (Optional)
**	1406554050	1	High Filtration Dust bag, 10 pack (Optional)
**	1406908000	1	Cloth Dust Bag, Reusable, Shake Out (Optional)

NOTE: Replacement parts for the kits listed above can be found on each kit's associated instruction sheet.

Accessories			
**	56383571	1	Programmer-User
**	56383572	1	Programmer Cable-Molex
**	56420163	1	Pad, 27"(68.58cm) Natural, Case of 5
**	56420162	1	Pad, 27"(68.58cm) Topline, Case of 5
**	56044384	1	Literature Pack

** = Optional, Not Included

= Revised or new since last update



Nilfisk A/S
Kornmarksvej 1 · DK-2605 Brøndby · Denmark
Tel.: +45 43 23 81 00 · Fax: +45 43 43 77 00
mail.com@nilfisk.com
www.nilfisk.com

