



Electronic Service Manuals

This electronic document is provided as a service to our customers. We do not create the contents of the information contained in this document. Should you have detailed questions pertaining to the information contained in this document, you may contact Michco, or the manufacturer which provided the original information in this electronic deliverable. Michco's only part in this electronic deliverable was the electronic assembly process. By providing this manual on line we are not guaranteeing parts availability.

You may contact Michco through the following methods:

Phone (517) 484-9312 or (800) 331-3339

2011 N. High St. -- Lansing, Michigan -- 48906

Fax: (517) 484-9836

Email: CustServe@Michco.com

Web site: www.Michco.Com

Parts Web site: www.FloorMachineParts.Com

Order Parts on Line at:

www.FloorMachineParts.Com

Directly to Parts & Service:

By Email: **Shop@Michco.com**

By Fax: (517) 702-2041

By Voice: Use numbers above.

Serving the Cleaning Industry Since 1922

Notice: All copyrighted material remains property of original owners, all trademarks are property of respective owners. Manuals are subject to Manufacturer's reproduction limitations. Originals or reproductions were provided by manufacturers through a request. We make no warranty as to the correctness of information provided in this document and you assume all risk. By placing these manuals on line we are not declaring our corporation to be an manufacturer authorized dealer or provider, please check our web site for authorized manufacturers we represent.

Nilfisk Cyclone

PARTS LIST



CE

10/09 revised 4/10
FORM NO. 56042513

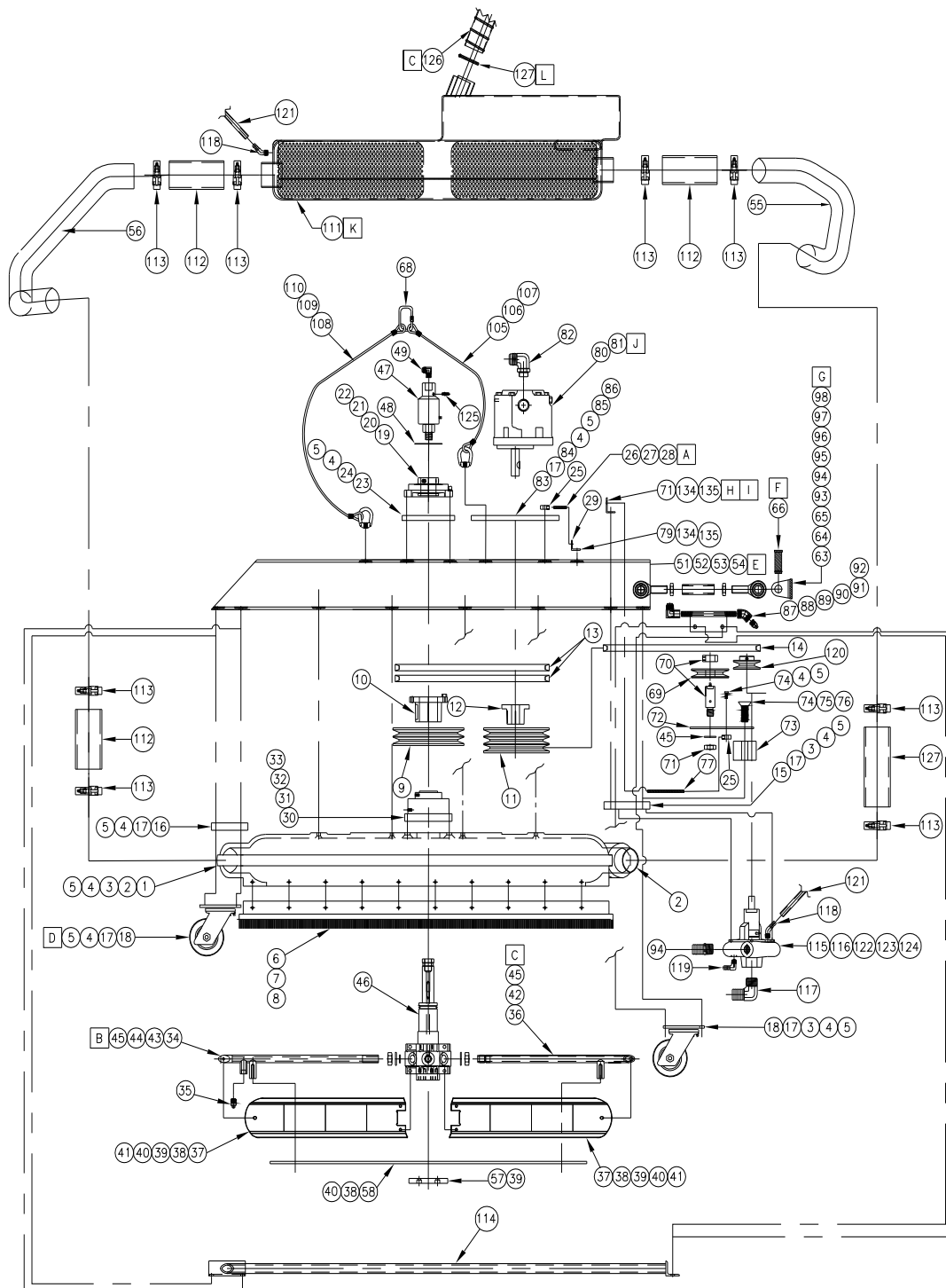
MODEL: 56380676

DESCRIPTION	PAGE
Cyclone Subsystem	2-3
Drain Subsystem	4-5
Electrical Subsystem	6-7
Instrument Enclosure Sub Assembly	8-9
Filtration Subsystem	10-11
Finishing Subsystem.....	12-13
Door and Siding Sub Assembly	14-15
Rear Axle Sub Assembly	16-17
Joystick Enclosure Sub Assembly	18-19
Foot Brake Sub Assembly	20-21
Front Axle Sub Assembly.....	22-23
Fuel Subsystem	24-25
Hydraulic Subsystem-1	26-27
Hydraulic Subsystem-2.....	28-29
Hydraulic Tank Sub Assembly.....	30-31
Hydraulic Pressure Relief Valve Sub Assy.....	32-33
Hydraulic Lifting Sub Assembly	34-35
Power Unit Subsystem	36-37
Pressurized Water & Heating Subsystem	38-39
Water Supply & Return Subsystem	40-41
Wiring Diagram	42
Hydraulic Schematic	43

WHEN ORDERING PARTS

- * Use the part numbers from the "Ref. No." columns in this parts list.
- * Specify the model and serial number of the machine.
- * Use the space below to record the model and serial number for future reference.

Model _____ Serial No. _____

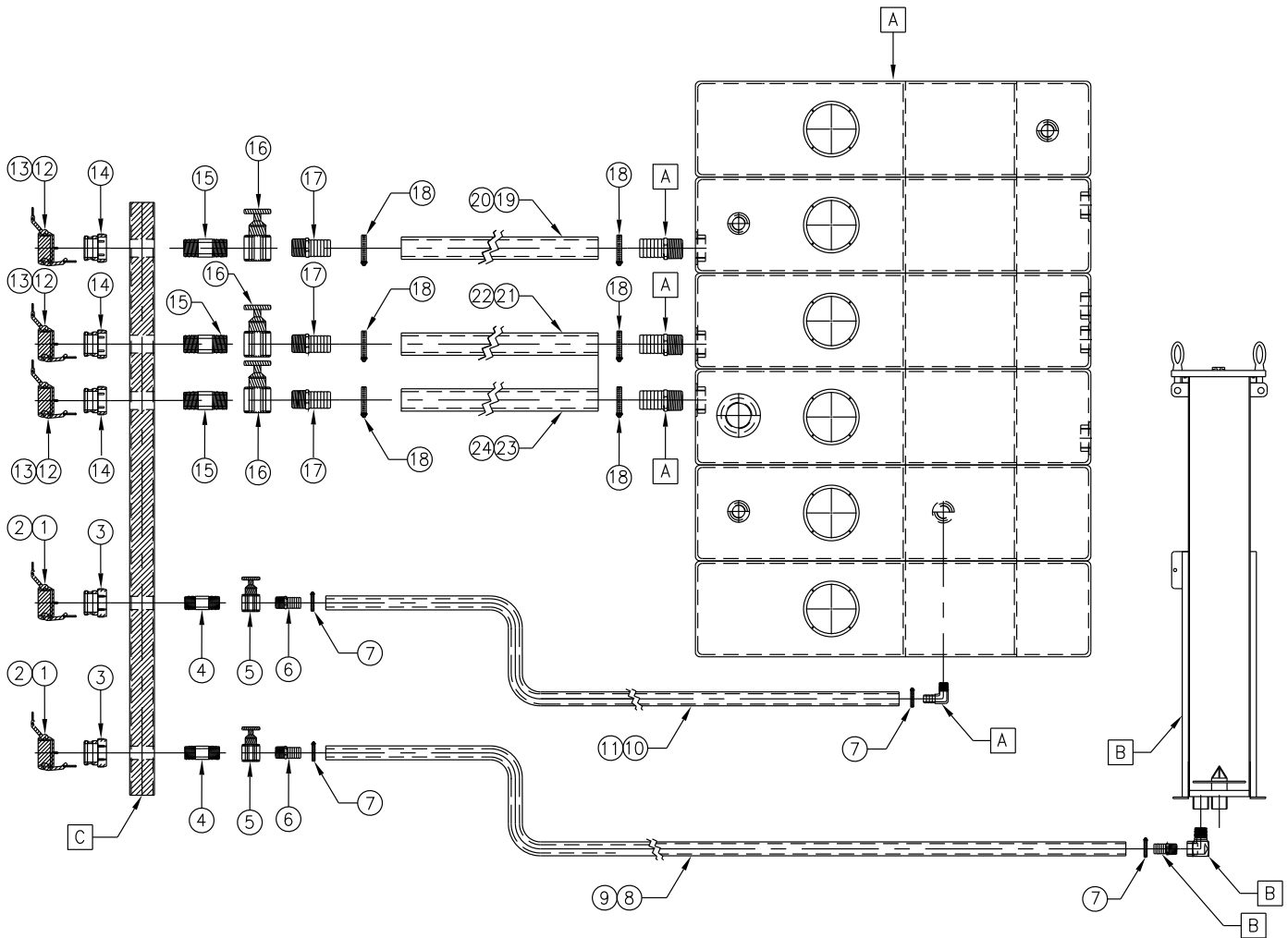


NOTES

- A - FASTENS TO #25 & #29, BELT TENSIONER
- B - (1) ADDITIONAL, NOT SHOWN
- C - (5) ADDITIONAL, NOT SHOWN
- D - (2) ADDITIONAL, NOT SHOWN
- E - RIGHT FRAME RAIL, #50, NOT SHOWN
- F - (2) COTTER PINS, #67, NOT SHOWN
- G - 10-1/2" CONNECTING ROD SUB ASSY., #99, NOT SHOWN
- H - FASTENS INSIDE OF RIGHT FRAME RAIL, #50
- I - ADDITIONAL WASHERS, #134 & LOCK NUT, #135, NOT SHOWN
- J - AIR SEPERATION HOSES NOT SHOWN
- K - RETURN TANK CONNECTED TO RETURN PUMP, #125, BY 407-0401017-06, NOT SHOWN

Item	Ref. No.	Qty	Description	Item	Ref. No.	Qty	Description
	104-45002-01		Cyclone Sub-Assembly	68	204-1300002-01	2	Ring- Lifting
1	317-0301040-01	1	40" Housing	69	236-0600001-01	1	Idler Pulley- Belt Tnsnr
2	310-1302004-01	2	Tube- Port Extension	70	264-0100001-01	1	Shaft Tightener
3	204-0105012-20	11	Bolt- 3/8-16 X 1-1/2 Fh G8	71	204-0702002-07	1	Jam Lock Nut- 3/4-10 Nyl
4	204-0704004-07	39	Lock Nut- 3/8-16 Nyl	72	304-0301009-01	1	Plate- Belt Tnsnr Mntg
5	204-0603006-07	70	Flat Washer- 3/8 Sae	73	203-0303001-01	1	Belt Tnsnr Spacer
6	205-0115002-01	1	Brush	74	204-0105019-20	1	Bolt- 1/2-13 X 4 Fh G8
7	204-0104004-20	42	Bolt- 1/4-20 X 3/4 Sh G8	75	204-0603010-07	1	Flat Washer- 1/2 Sae
8	204-0603001-02	42	Flat Washer- 1/4 Ss	76	204-0704006-07	1	Lock Nut- 1/2-13 Nyl
9	236-0300008-01	1	2-Grv Pulley- Spindle	77	204-0203002-06	2	All-Thread- 1/4-20 X 6
10	207-0101006-01	1	Bushing- Spindle Pulley	78	204-0105012-20	1	Bolt- 3/8-16 X 1-1/2 Fh G8
11	236-0400001-01	1	3-Grv Pulley- Motor	79	302-1001001-01	1	Angle- Tnsnr Adj
12	207-0301002-01	1	Bushing- Motor Pulley	80	110-0201001-01	1	Cyc Hyd Motor Sub-Assy
13	203-0100009-01	2	Belt- Spindle Pr	81	214-0400002-02	1	Hyd Motor
14	203-0100018-01	1	Belt- Cyclone Pump	82	216-0208007-01	2	Fttg- 90 1msae X 3/4mjic
15	304-0603013-01	1	Front Axle	83	304-0403002-01	1	Motor Mntg Plate
16	304-0603012-01	1	Rear Axle	84	204-0101031-07	2	Bolt- 3/8-16 X 1-3/4 Cs G8
17	204-0101030-07	27	Bolt- 3/8-16 X 1-1/2 Cs G8	85	204-0604003-07	2	Lock Washer- 3/8
18	117-0000003-02	4	Cycl Caster Wheel Assy	86	204-0703005-07	2	Hex Nut- 3/8-16 G8
[]	209-0101001-01	*	Caster Frame- Sw	[]	116-4500002-01	*	Kit- Hyd. Motor Repair
[]	232-0100002-08	*	Caster Wheel	87	104-4500004-01	1	Curb-Cleaner Sub-Assy
19	202-0101003-01	1	Top Bearing- Ball	88	304-0101008-01	1	Curb-Cleaner Plate
20	204-0101043-07	4	Bolt- 7/16-14 X 2 Cs G8	89	216-1000096-01	1	Fttg- 1/4id X 6l Sch80
21	204-0603008-07	8	Flat Washer- 7/16 Sae	90	216-0302011-01	1	Fttg- 45 1/4fpt X 1/4fpt
22	204-0704005-07	4	Lock Nut- 7/16-14 Nyl	91	216-0205013-01	3	Fttg- 90 1/4fpt X 3/8mjic
23	304-0403001-01	1	Top Bearing Plate	92	230-0200010-01	1	Nozzle- 1/4 X 4008
24	204-0101029-07	4	Bolt- 3/8-16 X 1-1/4 Cs G8	93	104-4500005-01	2	Cnctg Rod Sub-Assy
25	204-1102001-01	3	Shaft Collar- 3/8id 1/4-20	94	310-0401001-01	1	Rod- 3/4 X 3-1/2l
26	204-0203001-06	2	All-Thread 1/4-20 X 3	95	227-0100001-01	1	Rod-End- 3/4-16 Rh
27	204-0603002-07	2	Flat Washer- 1/4 Sae	96	227-0100002-01	1	Rod-End- 3/4-16 Lh
28	204-0604001-07	2	Lock Washer- 1/4	97	204-0702003-07	1	Jam Nut- 3/4-16 Rh
29	302-1001001-01	1	Angle- Belt Adj	98	204-0702010-07	1	Jam Nut- 3/4-16 Lh
30	202-0201003-01	1	Btm Bearing	99	104-4500006-01	1	Cnctg Rod Sub-Assy
31	204-0105017-20	4	Bolt- 9/16-12 X 2 Fh G8	100	310-0401002-01	1	Rod- 3/4 X 10-1/2l
32	204-0603011-02	4	Flat Washer- 9/16 Ss	101	227-0100001-01	1	Rod-End- 3/4-16 Rh
33	204-0704008-07	4	Lock Nut- 9/16-12 Nyl	102	204-0702003-07	1	Jam Nut- 3/4-16 Rh
34	303-0102001-01	2	Spray Bar	103	227-0100002-01	1	Rod-End- 3/4-16 Lh
[]	116-Cycl001-01	1	Kit- Cyc Blade & Disc Fasten	104	204-0702010-07	1	Jam Nut- 3/4-16 Lh
35	230-0200007-13	2	Nozzle- 1/4 X 1503	105	104-4500002-07	2	Lifting Cable Sub-Assy
36	303-0102002-01	6	Blade Bar	106	208-0100006-01	2	Lifting Cable- 7in OI
37	316-0100001-01	8	Blade	107	204-0710001-11	2	Lifting Eye Nut- 3/8-16
38	204-0101014-07	24	Bolt- 5/16-18 X 1 Cs G8	108	104-4500002-16	2	Lifting Cable Sub-Assy
39	204-0104026-20	16	Bolt- 5/16-18 X 1 Sh G8	109	208-0100007-01	2	Lifting Cable- 16in OI
40	204-0603004-07	40	Flat Washer- 5/16 Sae	110	204-0710001-11	2	Lifting Eye Nut- 3/8-16
41	204-0704003-07	24	Lock Nut- 5/16-18 Nyl	111	104-4500007-02	1	Return Tank Sub-Assy
42	204-0702003-07	6	Jam Nut- 3/4-16	[]	231-0300016-09	*	Return Tank- Fbrglss
43	204-0702005-07	2	Jam Nut- 3/4-16 Blue	[]	231-9900007-02	*	Angled Vent Insert
44	228-0102006-01	2	O-Ring- Spray Bar	[]	231-9900008-02	*	Port Tube Cnctg Insert- St
45	204-0603014-02	9	Flat Washer- 3/4 Ss	[]	231-9900009-02	*	Port Tube Cnctg Insert- Ang
46	313-0200001-10	1	Spindle	[]	231-9900010-02	*	Tank Basket- Front
47	115-0000005-07	1	Rotating Union Sub-Assy	[]	228-2000009-01	*	Tank-Lid Leakage Seal
[]	216-0102009-02	1	Rotating Union	[]	231-9900011-02	*	Tank Basket- Rear
[]	116-4500008-02	*	Kit- Overhaul Union	[]	204-2301003-01	*	Latch- Tank Lid
[]	228-0100027-01	*	O-ring- Union Housing Seat	[]	231-9900013-09	*	Door With Hinge
48	313-0200003-01	1	Slinger	[]	225-0100001-08	*	Tank Stabilizer
49	216-0205016-01	1	Fttg- 90 3/8mpt X 3/8mjic	[]	320-0200001-08	*	Rubber Sheet
50	301-0303011-01	1	Right Frame Rail	112	407-0101005-40	3	Hose- 2.50id X 5l
51	301-0303012-01	1	Left Frame Rail	113	204-1007011-01	8	T-Bolt Clamp
52	204-0101077-07	2	Bolt- 3/4-10 X 2 Cs G8	114	310-0401004-01	1	Protective Tube Assy
53	204-0603015-07	4	Flat Washer- 3/4 Sae	115	104-4500003-01	1	Return Pump Sub-Assy
54	204-0704011-07	2	Lock Nut- 3/4-10 Nyl	116	226-0300003-01	1	Return Pump
55	310-1302009-01	1	Front Port Tube	[]	266-0100001-01	*	Pump Impeller
56	310-1302010-01	1	Rear Port Tube	[]	228-2500004-01	*	Gasket Pump Housing
57	304-0403003-01	1	Disk Hub	117	216-0201004-01	1	Fttg- 90 1mpt X 1-1/4 Barb
58	304-0103001-02	1	Standard Disk	118	216-0301001-05	1	Fttg- 45 1/4mpt X 3/8 Barb
59	204-0104026-20	16	Bolt- 5/16-18 X 1 Sh G8	119	216-0201013-04	1	Fttg- 90 1/8mpt X 3/8 Barb
60	104-4500008-01	1	Cyc Fstng Brkt Sub-Assy	120	236-0200015-01	1	1-Grv Pulley- Return Pump
61	223-0400004-01	1	Mntg Bracket	122	407-0401017-06	1	Hose-3/8id X 14l Breather
62	204-0101077-20	1	Bolt- 3/4-10 X 2 Cs G8	123	204-0101006-07	3	Bolt- 1/4-20 X 1-1/2 Cs G8
63	104-4500009-01	1	Cyc Plate Sub-Assy	124	204-0603002-07	3	Flat Washer- 1/4 Sae
64	304-0101009-01	1	Fastening Plate	125	204-0604001-07	3	Lock Washer- 1/4
65	223-0400004-01	3	Fastening Bracket	126	216-0101027-02	1	Fttg- 1/8mpt X 1/4 Barb
66	204-0501005-01	3	Clevis Pin	127	407-0101007-40	1	Hose- 2.50id X 7l
67	204-0502003-01	3	Cotter Pin	[]	261-0506001-01	*	Wrench- 1-1/8
				[]	261-0506002-01	*	Wrench- 7/8

[] = Not Shown



NOTES:

A - WATER TANKS & FITTINGS ARE IDENTIFIED IN THE WATER SUPPLY & RETURN SUB-ASSEMBLY DRAWING

B - FILTER HOUSING & FITTINGS ARE IDENTIFIED IN THE FILTRATION SUB-ASSEMBLY DRAWING

C - REAR BUMPER IS IDENTIFIED IN STRUCTURAL SUB-ASSEMBLY DRAWING

09-10

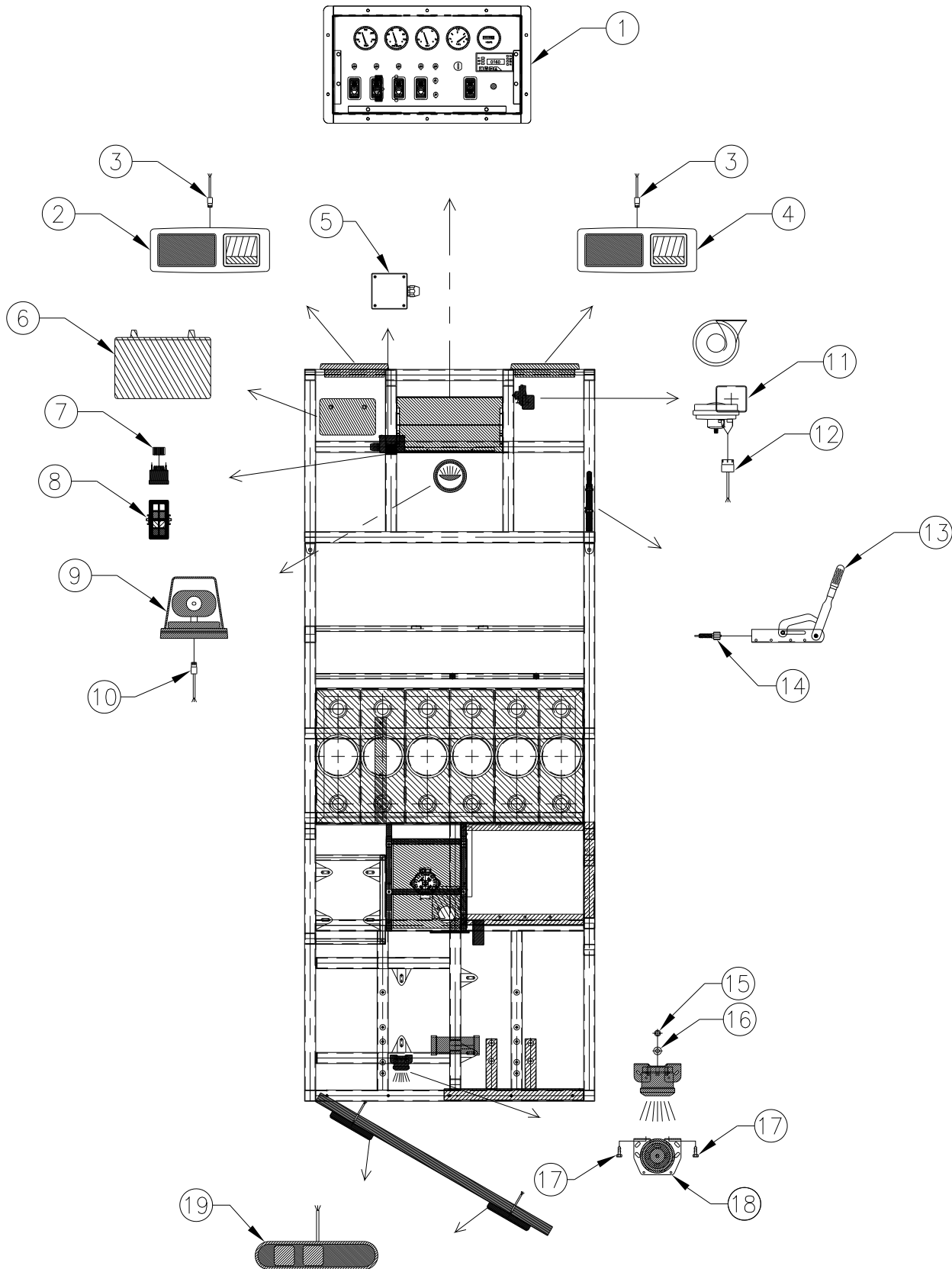
DRAIN SUBSYSTEM

10-4

Nilfisk Cyclone**5**

Item	Ref. No.	Qty	Description
1	105-4500002-01	2	Tank Valve Assy- 1in
2	216-1300023-03	5	Fttg- 1-1/2fcam Cap
[]	228-0100026-01		Oring- Cam Lock 5/Pk
3	216-1300040-03	2	Fttg- 1fpt X 1-1/2mcam
4	216-1000095-01	2	Fttg- 1id X 3-1/2l Nipple S40
5	235-0200003-04	2	Gate Valve- 1id
6	216-0101008-04	2	Fttg- 1mpt X 1barb
7	204-1005009-01	4	Hose Clamp- 16
8	105-0300005-01	1	Drain Hose Fr Water Tanks
9	407-0501070-16	1	Drain Hose- Fltr Hsg 70in
10	105-0300004-01	1	Drain Hose Fr Water Tanks
11	407-0101072-16	1	Drain Hose- Fltr Hsg 72in
12	105-4500001-01	3	Tank Valve Assy- 1-1/2in
13	216-1300030-03	3	Fttg- 1-1/2mcam X 1-1/2fpt
14	216-1000060-01	3	Fttg- 1-1/2id X 3-1/2l S40
15	235-0200002-04	3	Gate Valve- 1-1/2id
16	216-1000072-01	3	Fttg- 1-1/2mpt X 1-1/2barb
[]	105-4500003-01	1	Drain Hose Assy's
17	204-1005017-01	6	Hose Clamp- 28
18	105-0300001-01	1	Drain Hose- Reclaim Tank No.1
19	407-0101045-24	1	Drain Hose- Reclaim Tank No.1
20	105-0300002-01	1	Drain Hose- Reclaim Tank No.2
21	407-0101044-24	1	Drain Hose- Reclaim Tank No.2
22	105-0300003-01	1	Drain Hose- Reclaim Tank No.3
23	407-0101046-24	1	Drain Hose- Reclaim Tank No.3
[]	215-0100023-01		Service Filters- 100mic 25/Bx
[]	112-0100003-01		Service Drain Hose Assy

[] = Not Shown



09-10

ELECTRICAL SUBSYSTEM

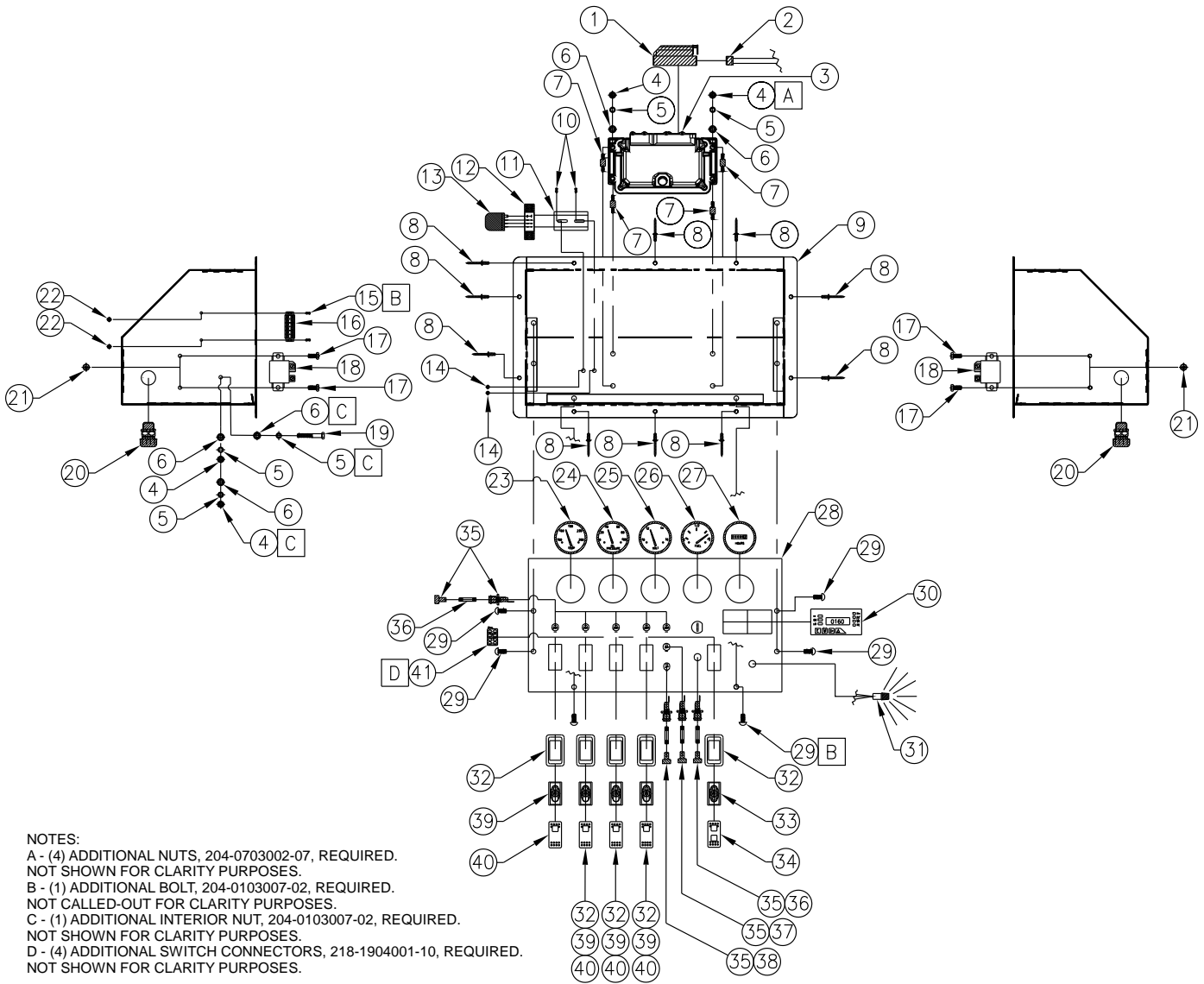
10-4

Nilfisk Cyclone

7

Item	Ref. No.	Qty	Description
1	107-4500004-01	1	Electrical Enclsr Sub-Assy
2	218-0712004-01	1	Headlt-Turn Indicator- Dr-Side
3	245-4500006-01	2	Wire Harness- Head-Turn Light
[]	218-0797004-01		Replacement Bulb- Head Light
4	218-0712003-01	1	Headlt-Turn Indicator- Ps-Side
5	107-4500007-01	1	Indicator Panel Enclsr Assy
[]	218-0797007-01		Replacement Bulb- I-Panel
6	201-0201003-01	1	Battery
7	218-1902011-01	2	Conn- Indicator Panel
8	218-0302009-01	1	Indicator Panel
9	218-0704002-01	1	Beacon Light- Amber
10	245-4500004-01	1	Wire Harness Beacon Light
[]	218-0704002-99		Replacement Bulb- Beacon
[]	204-0204001-07	4	T-F Screw- 1/4-20 X 1/2
11	218-2200005-01	1	Horn 12v
12	245-4500003-01	1	Wire Harness Horn 12v
13	271-0100003-01	1	E-Brake Lever
14	218-1011012-01	1	Acuator Switch- P-Brake
15	204-0604004-07	1	Lock Washer- 7/16
16	204-0603008-07	1	Flat Washer 7/16 Sae
17	204-0204001-07	2	T-F Screw- 1/4-20 X 1/2
18	218-2200004-01	1	Back-Up Alarm- 82db
19	218-0701008-01	2	Tail/Stop/Turn Led Light
[]	116-0000014-01		Camera Monitoring Kit

[] = Not Shown

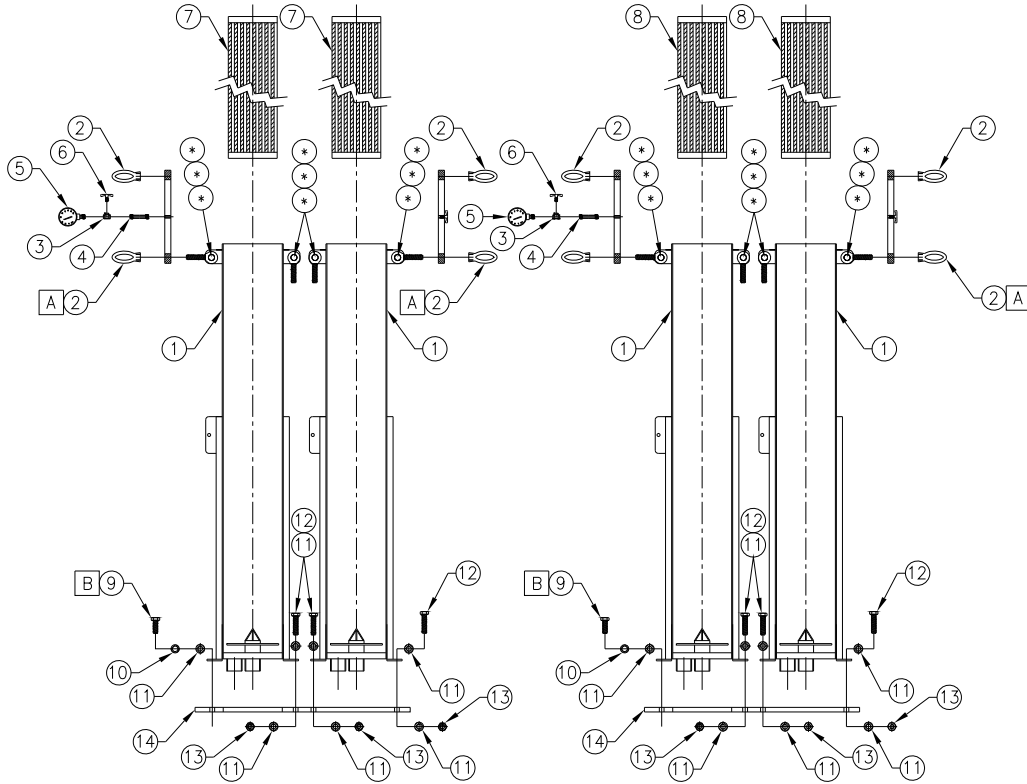


- NOTES:
- A - (4) ADDITIONAL NUTS, 204-0703002-07, REQUIRED. NOT SHOWN FOR CLARITY PURPOSES.
 - B - (1) ADDITIONAL BOLT, 204-0103007-02, REQUIRED. NOT CALLED-OUT FOR CLARITY PURPOSES.
 - C - (1) ADDITIONAL INTERIOR NUT, 204-0103007-02, REQUIRED. NOT SHOWN FOR CLARITY PURPOSES.
 - D - (4) ADDITIONAL SWITCH CONNECTORS, 218-1904001-10, REQUIRED. NOT SHOWN FOR CLARITY PURPOSES.

Item	Ref. No.	Qty	Description
1	218-1911001-01	1	Joystick Conn
2	218-1910001-01	1	Mating Conn- Controller
3	218-2300012-01	1	Controller Card Joystick
4	204-0703002-07	11	Hex Nut 1/4-20 G8
5	204-0604001-07	8	Lock Washer 1/4
6	204-0603002-07	8	Flat Washer- 1/4 Sae
7	218-2100005-01	8	Vibration Insulator
8	204-0302001-02	10	Rivet 3/16od X 1/4l Ss
9	218-0301005-01	1	Instrument Enclsr
10	204-0103006-02	2	Bolt 10-32 X 1l Bh Ss
11	415-010002.5-01	1	Din Rail 2-1/2l
12	218-0900007-01	1	Relay 8 Pins Dpdt
13	218-0900008-01	1	Socket Relay 8pins
14	204-0704018-01	2	Lock Nut 10-32 Nylon
15	204-0103007-02	2	Bolt 8-32 X 3/4l Bh Cs Ss
16	218-1302002-01	1	Terminal Block 6-Pos Hd
17	204-0101003-07	4	Bolt 1/4-20 X 3/4 Cs G8
18	218-0900003-21	2	Relay- 75amp
19	204-0101008-07	1	Ground Stud 1/4-20 X 2 Cs G8
20	218-1901010-10	2	Strain Relief- St 3/4 Nylon
21	204-0704002-07	4	Lock Nut- 1/4-20 Nylon
22	204-0704015-07	2	Lock Nut- 8-32 Nylon
23	217-0200001-01	1	Water Temp Gauge
24	217-0103001-01	1	Oil Press Gauge
25	217-0500001-01	1	Volt Meter
26	217-0300001-01	1	Gauge Fuel
27	217-0600001-01	1	Hour Meter
28	218-0302003-01	1	Instrument Panel
29	204-0103008-02	6	Bolt 1/4-20 X 1/2 Bh Ss
30	218-2300005-01	1	Temp Controller- Hi & Low
31	218-0708002-01	1	Service Light- Amber
32	218-1004003-01	5	Switch Mntg Body Single
33	218-1001005-01	1	Switch Rocker Dpdt
34	218-1011006-01	1	Switch Acuator- 2- Lt Red
35	218-0404004-01	8	Fuse Holder - Tube
36	218-0402003-01	6	Fuse Tube 20a 1/4 X 1-1/4l
37	218-0402007-01	1	Fuse Tube 8a 1/4 X 1-1/4l
38	218-0402008-01	1	Fuse Tube 2a 1/4 X 1-1/4l
39	218-1001001-01	4	Switch Rocker Spst
40	218-1011003-01	6	Switch Actuator- Green Lt
41	218-1904001-10	5	Switch Conn

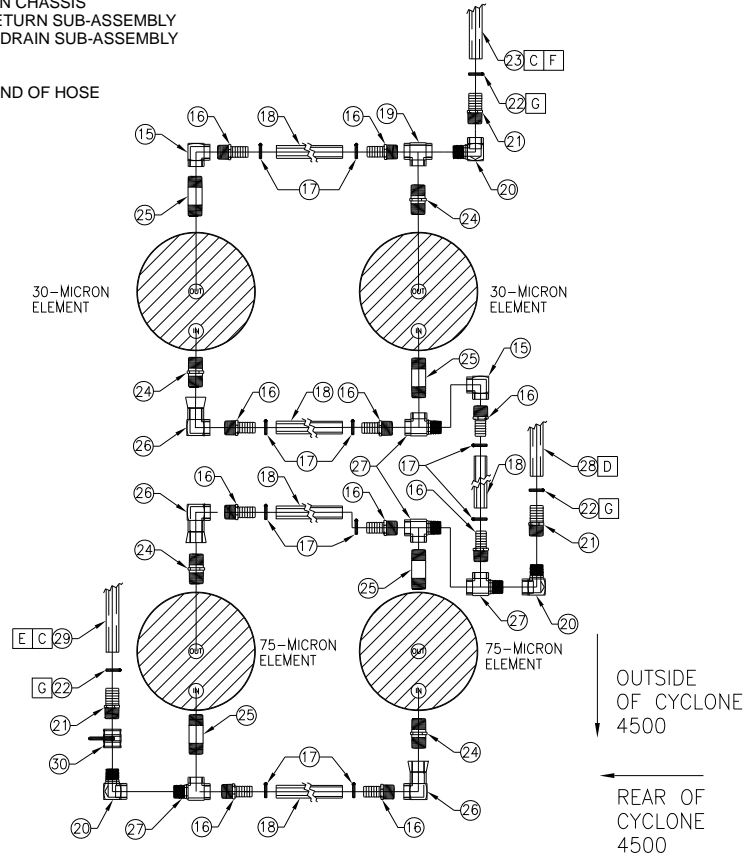
[] = Not Shown

Nilfisk Cyclone



NOTES:

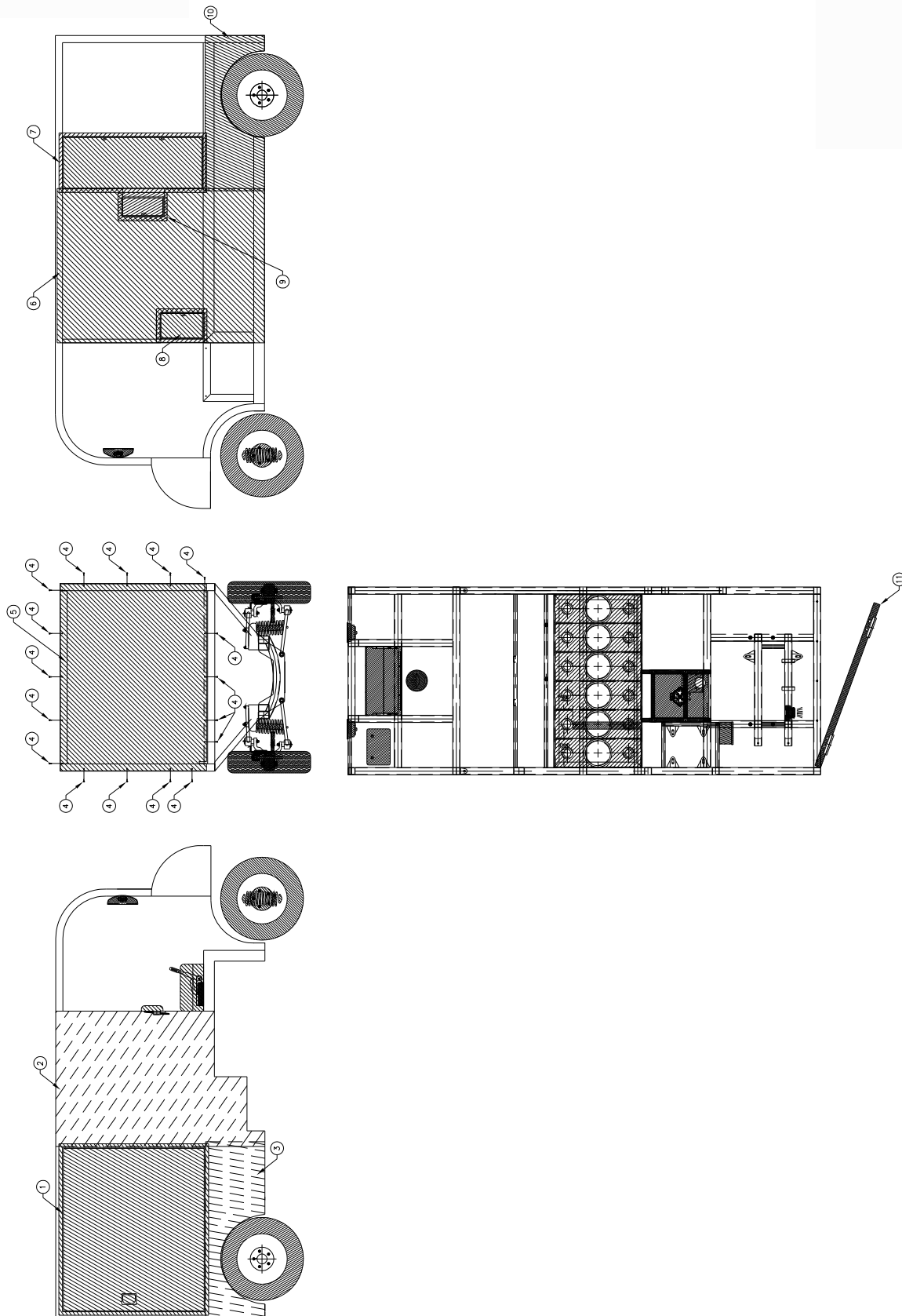
- * PLUMBING ORIENTATION IS LOOKING DOWN FROM OVERHEAD
- A -(1) ADDITIONAL PER HOUSING REQUIRED.
NOT SHOWN FOR CLARITY PURPOSES
- B -FASTENS TO WELD-IN ROIDS LOCATED ON CHASSIS
- C -ALSO IDENTIFIED IN WATER SUPPLY & RETURN SUB-ASSEMBLY
- D -FILTER DRAIN HOSE ALSO IDENTIFIED IN DRAIN SUB-ASSEMBLY
- E -FROM FILTER PUMP
- F -TO WATER TANK #2
- G -(1) ADDITIONAL LOCATED AT OPPOSITE END OF HOSE



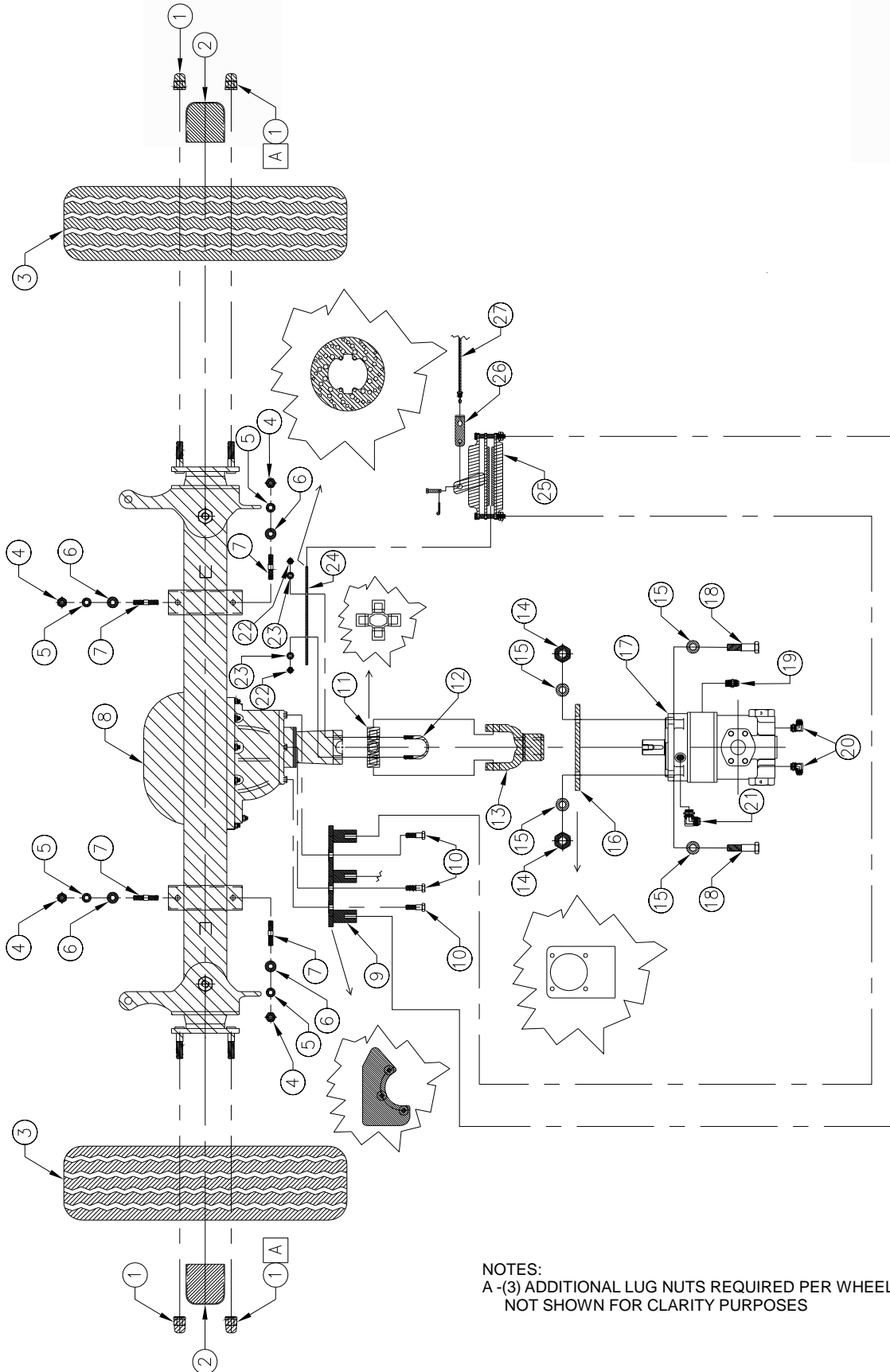
Item	Ref. No.	Qty	Description
1	215-0402003-01	4	Filter Housing- 4in
[]	215-9902001-01	4	Housing Lid
[]	228-0100025-01	4	Oring- Lid 4/Pk
[]	215-0700003-01	4	Grommet- Filter 4/Pk
2	204-0710003-11	12	Eye Nut- Fltr Lid
3	216-0402025-04	2	Fttg- Tee 1/8 Fpt Br
4	216-1000111-11	2	Fttg- 1/8mpt X 1-1/2l Galv
5	217-0102003-01	2	Press Gauge- 200psi
6	235-1500002-04	4	Bleeder Valve- 1/8mpt Br
[]	204-0107001-01	6	Bolt- Eye Lid Fastening
[]	204-0504001-02	6	Dowel Pin
[]	204-1301001-01	12	Retaining Ring
7	215-0100035-02	2	Filter Element 75-Mic
8	215-0100036-02	2	Filter Element 30-Mic
9	204-0101028-07	3	Bolt- 3/8-16 X 1 Cs G8
10	204-0604003-07	3	Lock Washer- 3/8
11	204-0603006-07	13	Flat Washer- 3/8" Sae
12	204-0101030-07	8	Bolt- 3/8-16 X 1-1/2 Cs G8
13	204-0704004-07	8	Lock Nut- 3/8-16 Nyl
14	304-0301006-01	2	Plate- 3/8 Mounting
15	216-0402022-01	2	Fttg- 90 3/4fpt X 3/4fpt Br
16	216-0101012-04	10	Fttg- 3/4mpt X 3/4 Barb
17	204-1005009-01	10	Hose Clamp #16
18	407-0501005-12	5	Hose- Filter Connecting
19	216-0402009-04	1	Fttg- Tee 3/4"Fpt Br
20	216-0402017-04	3	Fttg- 90 3/4fpt X 3/4mpt Br
21	216-0101010-04	3	Fttg- 3/4mpt X 1 Barb
22	204-1005010-01	6	Hose Clamp #20
23	407-0501083-16	1	Hose- Fltr Housing- Tank
24	216-1000013-01	4	Fttg- 3/4mpt Hex Nipple
25	216-1000116-02	4	Fttg- 3/4 X 2-1/2l Nipple
26	216-0202046-01	3	Fttg- 90 3/4fpt X 3/4fpt Sw
27	216-0402017-04	4	Fttg- Tee 3/4mpt Run Br
28	407-0101072-16	1	Drain Hose- Water Tank
29	407-0501049-16	1	Hose- Fltr Pump- Fltr Hsg
30	235-0100006-01	1	Ball Valve- 3/4 Br

[] = Not Shown

Item	Ref. No.	Qty	Description
1	128-0100001-01	1	Door - Siding Sub-Assy White
*	128-0100001-02	1	Door - Siding Sub-Assy Yellow
2	129-4501002-01	1	Rear Axle Sub-Assy
3	271-0100002-01	1	E-Brake Lever With Farrel
4	204-0603002-07	22	Flat Washer- 1/4 Sae
5	204-0704002-07	13	Lock Nut- 1/4-20 Nylon
6	270-1000001-01	1	Cable- Parking Brake
7	204-0501006-01	1	Clevis & Pin- 3/8 With Cable Crmp
8	204-0204001-07	60	Self-Taping Screw 1/4-20 X 1/2
9	223-0400005-01	1	Bracket- Cleaning Gun
10	129-4501007-01	1	View Plate Subassembly
11	204-0703002-07	7	Hex Nut- 1/4-20
12	204-0604001-07	2	Lock Washer- 1/4
13	220-0400003-01	1	Dump Gun J Hook
14	204-0201001-02	2	Philips Fh Screw- 6-32 X 1/2
15	278-0300001-01	2	Mirror
16	204-0105028-26	2	Fhcs 8mm-1.25 X 30mm Chrome
17	321-0500001-03	2	Mirror Fastening Block
18	204-0104027-26	2	Shcs 1/2-20 X 1 Chrome
19	204-0702006-07	2	Lock Nut- 1/2-20 Jam Nylon
20	204-0103007-02	8	Bhcs 8-32 X 1/2 Ss
21	129-4501008-01	1	2-Switch Joystick Enclosure Sub-Assy
22	204-0704015-07	4	Lock Nut- 8-32 Nylon
23	204-0603018-07	4	Flat Washer- 8 Sae
24	128-4503014-01	1	Hood Sub-Assy
25	129-4501003-01	1	Foot Brake Sub-Assy
26	204-0101004-07	9	Cap Screw- 1/4-20 X 1 Gr8
27	129-4501001-01	1	Front Axle Sub-Assembly
28	218-1011011-01	1	Switch- Foot Pedal
29	417-0200005-01	1	Hook & Loop 2 W X 5 L Nylon
30	218-0301011-01	1	Floor Pans - Foot Box
31	282-4500004-01	1	Seat
32	304-0901008-02	1	Plate- 2-Way & 3-Way Ball Valve
33	281-1100001-01	1	Steering Enclosure
34	204-0603004-07	4	Flat Washer 5/16 Hard Zinc
35	204-0704003-07	2	Lock Nut 5/16-18 Nylon
36	204-0101020-07	2	Cap Screw 5/16-18 X 2-1/2 Gr8
37	129-4501006-01	1	Seat Bottom Mntg Frame
38	204-0603023-02	4	Flat Washer- 10mm
39	204-0604011-07	4	Lock Washer- 10mm
40	204-0101085-20	4	Cap Screw- 10-1.5 X 60mm
41	304-0803002-01	1	Operator Entry Step Alum
42	204-0603006-07	6	Flat Washer 3/8 Hardened Zinc
43	204-0604003-07	4	Lock Washer 3/8 Zinc
44	204-0101028-07	2	Cap Screw 3/8-16 X 1 Gr8 Zinc
45	313-0100008-01	2	Fuel Tank Mounting Strap
46	204-0101032-0	2	Cap Screw 3/8-16 X 2 Gr8 Zinc
47	262-0300007-01	1	Safety Component Seat Belt
48	211-0300001-01	1	Enclosure- Coil
49	273-0100004-01	1	Cooling Air Luver
50	304-0801010-01	1	Plate- Air Cleaner Mounting
51	204-0101007-07	3	Cap Screw- 1/4-20 X 1-3/4 Gr8
52	304-0901012-01	1	Panel- Upper Roof
53	204-0305001-03	19	Large-Flange Rivet 3/16 Wht Al



Item	Ref. No.	Qty	Description
*	128-0100001-01	1	Door / Siding Sub-Assy- White
*	128-0100001-02	1	Door / Siding Sub-Assy- Yellow
1	268-0301004-01	1	Door- Engine & Filter Access- White
*	204-0206001-07	18	Self-Tapper Screw- 8-32 X 3/8
2	307-0903005-01	1	Aluminum Skin- Pass-Side
3	307-0903004-01	1	Aluminum Skin- Pass-Side Wheel Well
4	204-0204001-07	17	Self-Tapper Screw- 1/4-20 X 1/2
5	307-0903007-01	1	Aluminum Skin- Rear Seat
6	307-0903009-01	1	Aluminum Dskin- Driver-Side
7	268-0301003-01	1	Door- Coil Access White
*	204-0206001-07	12	Self-Tapper Screw- 8-32 X 3/8
8	268-0301006-01	1	Door- Fuel Access White
*	204-0206001-07	4	Self-Tapper Screw- 8-32 X 3/8
9	268-0301007-01	1	Door- Fill Access White
*	204-0206001-07	6	Self-Tapper Screw- 8-32 X 3/8
10	307-0903003-01	1	Aluminum Skin- Dr-Side Wheel Well
11	268-0301005-01	1	Door- Rear Access White
*	204-0206001-07	28	Self-Tapper Screw- 8-32 X 3/8
*	268-0301003-02	1	Door- Coil Access Yellow
*	268-0301004-02	1	Door- Engine & Filter Access Yellow
*	268-0301005-02	1	Door- Rear Access Yellow
*	268-0301006-02	1	Door- Fuel Access Yellow
*	268-0301007-02	1	Door- Fill Access Yellow
*	307-0903008-02	1	Aluminum Skin- Dr-Side Wheel Well Yellow
*	307-0903004-02	1	Aluminum Skin- Pass-Side Wheel Well Yel
*	307-0903005-02	1	Aluminum Skin- Pass-Side Yellow
*	307-0903009-02	1	Aluminum Skin- Dr-Side Side Yellow
*	307-0903007-02	1	Aluminum Skin- Rear Seat Yellow
*	244-0600001-01	1	Double-Sided Tape 3/4



NOTES:
A -(3) ADDITIONAL LUG NUTS REQUIRED PER WHEEL.
NOT SHOWN FOR CLARITY PURPOSES

09-10

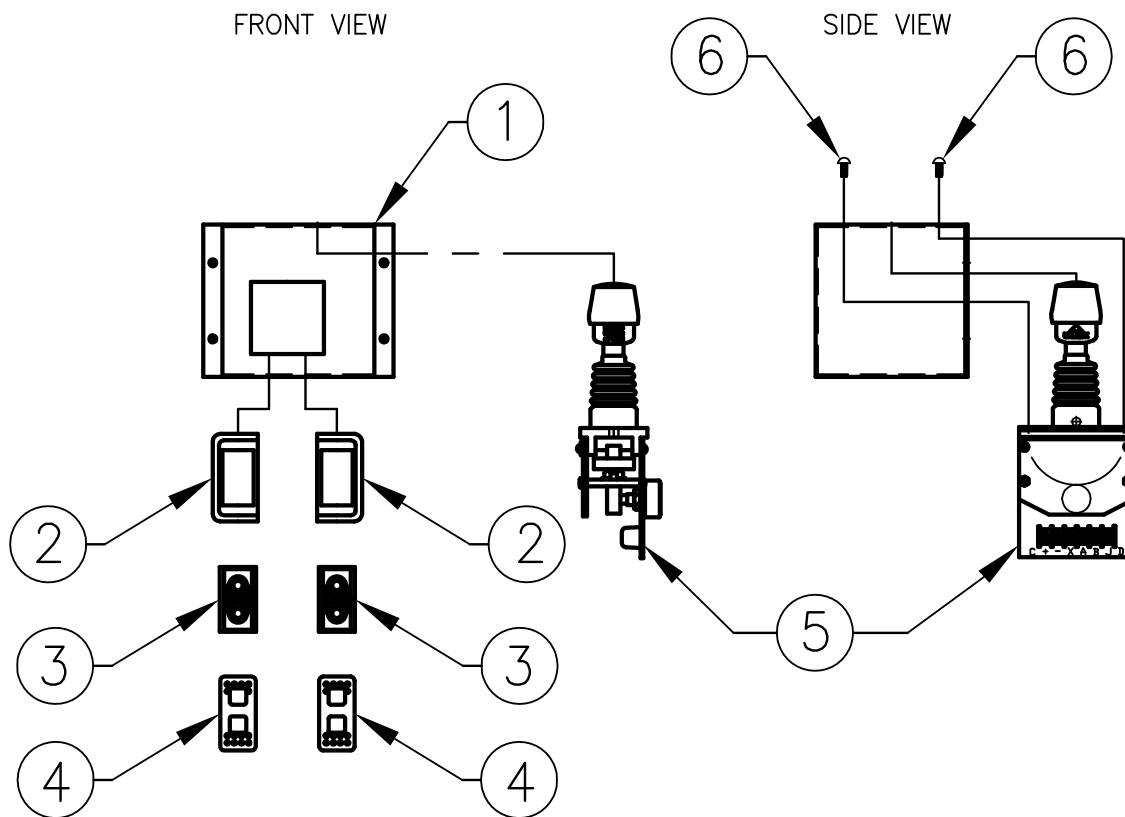
REAR AXLE SUB ASSEMBLY

10-3

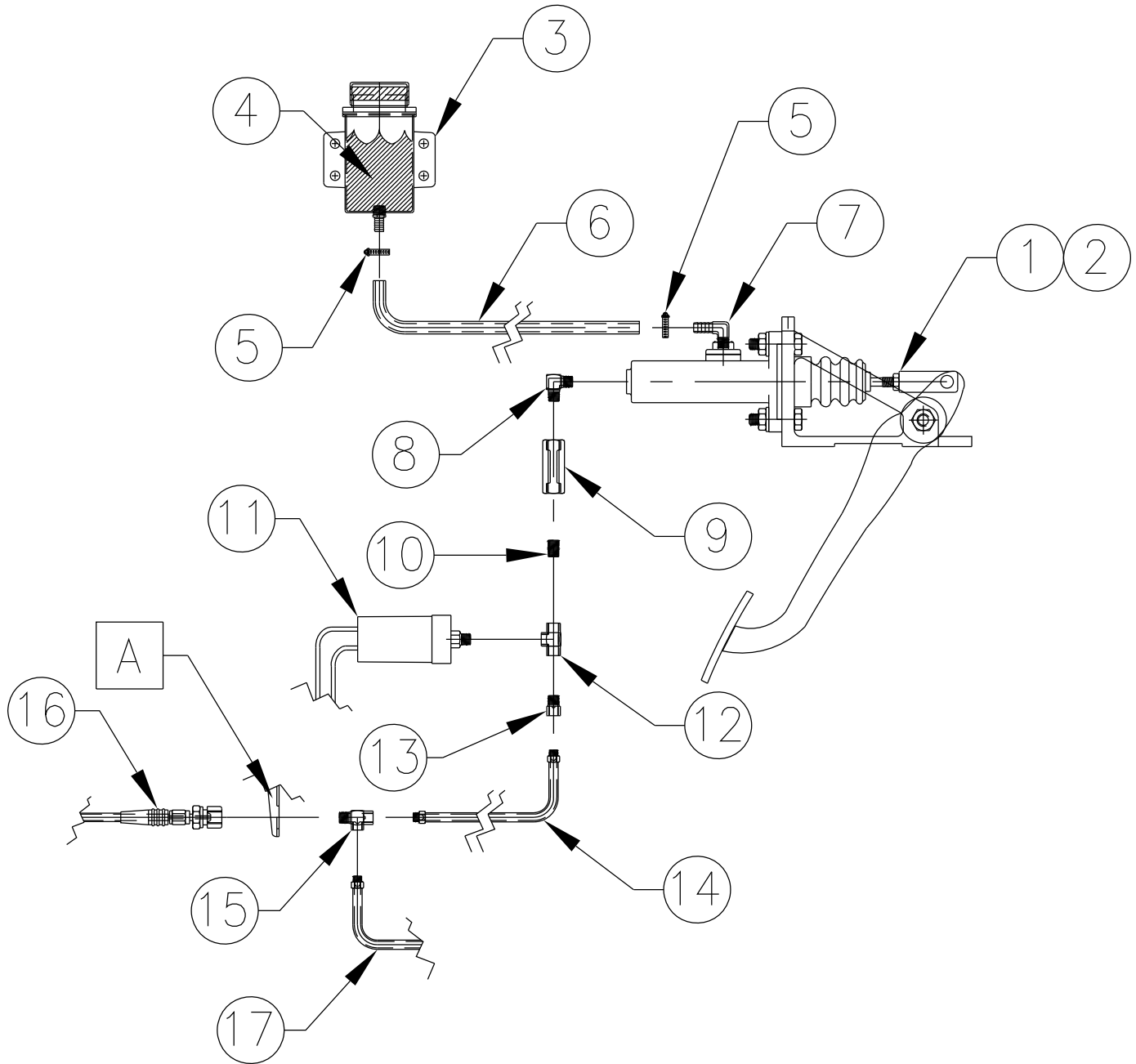
Nilfisk Cyclone**17**

Item	Ref. No.	Qty	Description
1	204-0712001-01	10	Lug Nuts 1/2-20
2	243-0300005-01	2	Center Axle Cap
3	125-4500004-01	2	Tire & Wheel Assy Chrome
4	204-0703005-07	4	Hex Nut 3/8-16 Gr8
5	204-0604003-07	4	Lock Washer 3/8
6	204-0603006-07	4	Flat Washer 3/8 Sae
7	204-1906001-01	4	Dbl Threaded Stud
8	237-0500002-01	1	Rear Axle- Directional
9	129-4501004-01	1	Plate Assy- E-Brake Caliper
[]	304-0301010-01	1	Plate- E-Brake Caliper
[]	204-2402004-01	3	Weld-In Roid 2-1/2 X 3/8-24
10	204-0101029-07	3	Cap Screw 3/8-16 X 1-1/4 Gr8
11	264-0400001-01	1	Shaft End Yoke
12	204-0106001-01	1	U-Joint U-Bolt
13	204-2200002-01	1	U-Joint Drive Shaft
14	204-0704006-07	2	Lock Nut 1/2-13 Nylon
15	204-0603010-07	4	Flat Washer 1/2 Sae
16	304-0301028-01	1	Plate- 2-Speed Motor
17	214-0400006-01	1	Motor- Propulsion 2-Speed
18	204-0101048-07	2	Cap Screw 1/2-13 X 2 Gr8
19	216-0108033-01	1	Fitting- St 1/4mjic X 3/8msae
20	216-0208021-01	2	Fitting- 90 1/4mjic X 1/4msae
21	216-0208014-01	1	Fitting- 90 3/8mjic X 3/8msae
22	204-0703002-07	2	Hex Nut 1/4-20 Gr8
23	204-0604001-07	2	Lock Washer 1/4
24	270-0900001-01	1	Brake Rotor With U-Bolt
25	270-0400003-01	1	Brake Caliper E-Brake
[]	204-0101084-07	2	Cap Screw 3/8-24 X 2-1/4 Gr8
[]	204-0704019-07	2	Lock Nut 3/8-24
26	204-0501006-01	1	Clevis W/ Pin W/ Cable Crimp
27	270-1000001-01	1	Brake Cable

[] = Not Shown

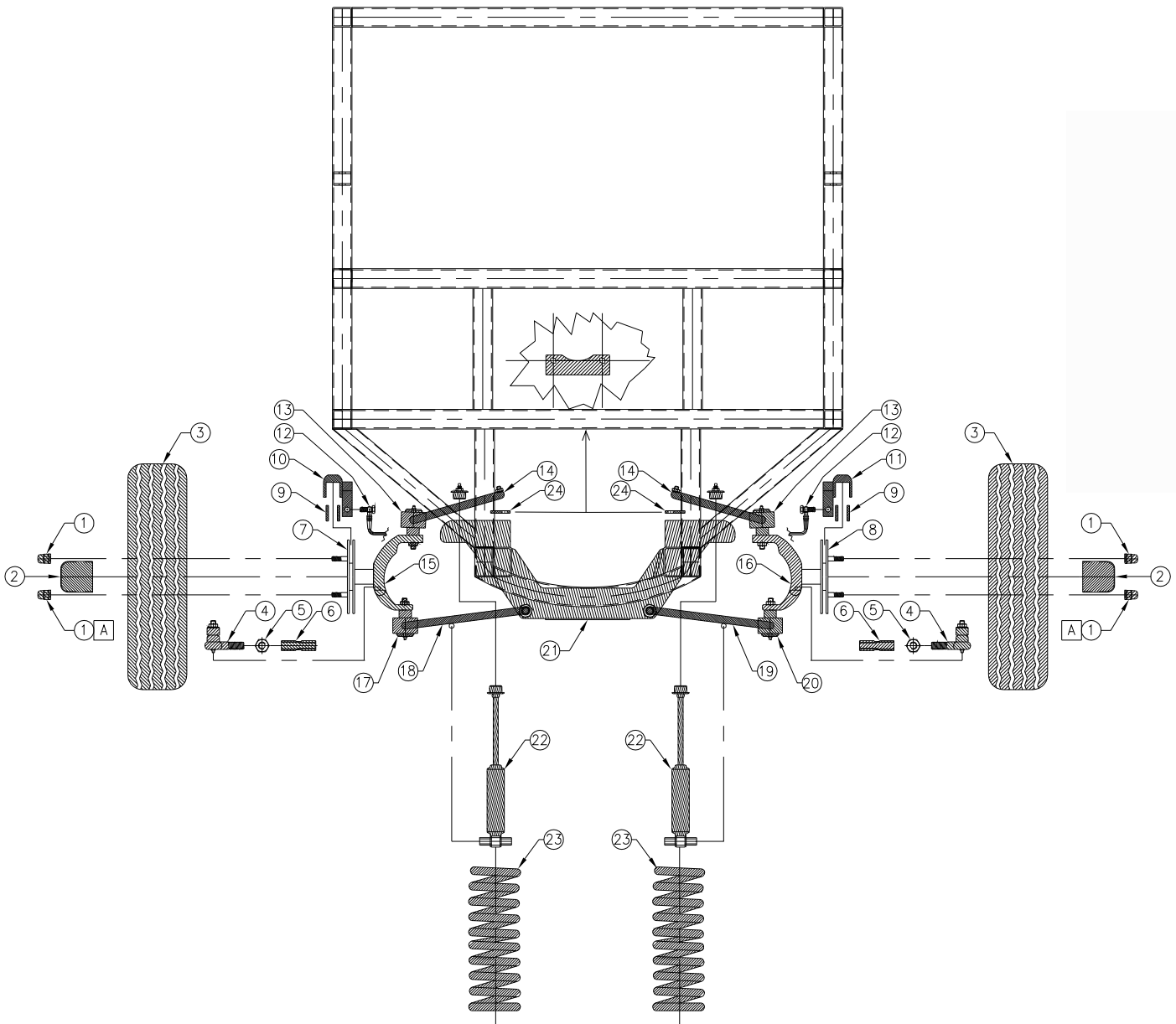


Item	Ref. No.	Qty	Description
1	218-0301013-01	1	Enclosure, Joystick
2	218-1004001-01	2	Switch, Mounting Body, End
3	218-1001005-01	2	Switch, Rocker, 12v, Dpdt Off-On-Off
4	218-1011006-01	2	Switch Rocker Actuator Blk W/ 2-Red Lights
5	218-0301009-01	1	Directional Joystick
6	204-0103007-02	2	Bolt, 8-32 X 3/4", Bh, Cs, Ss



NOTES:
A - BRAKE LINE MOUNTING TAB WELDMENT
LOCATED ON CHASSIS

Item	Ref. No.	Qty	Description
1	129-4501003-01	1	Foot Brake Sub-Assy
2	270-0800001-01	1	Brake Components, Pedal, Single Cylinder
3	231-0600001-01	1	Tank, Brake Fluid Reservoir
4	253-1800001-01	1	Liquid, Brake Fluid, 12oz Can
5	204-1005016-01	2	Clamp #4 Hose 5/16 Screw
6	407-0301021-04	1	Hose-Cut, Hydraulic, Foot Brake, 1/4"Id X 21"L
7	216-0201015-04	1	Fitting, 90, 1/8"Mpt X 1/4"Id Barb. Brass
8	216-0202052-01	1	Fitting, 90, 1/8"Mpt X 1/8"Mpt, Steel
9	270-0500001-01	1	2lb. Disc Brake Residual Valve
10	216-1000093-01	1	Fitting, 1/8" Close Nipple, Sch40
11	218-1005002-03	1	Switch, Press., 1/4"Mpt, Brake System
12	216-0402025-04	1	Fitting, Tee, 1/8" Fpt, Brass
13	216-0132001-04	1	Fitting, St, 1/8"Mpt X 3/8-24 lff, Brass
14	270-1100001-01	1	Brake Components, Brake Line, Passenger-Side, 5-Bends
15	216-0135002-04	1	Fitting, Tee, Run, 3/16"Imf X (2) 3/16"lff
16	270-0700001-01	1	Brake Components, Line Fastening Kit
17	270-1100002-01	1	Brake Components, Brake Line, Driver-Side, 4-Bends



NOTES:

A - (3) ADDITIONAL LUG NUTS REQUIRED.
NOT SHOWN FOR CLARITY PURPOSES

09-10

FRONT AXLE SUB ASSEMBLY

10-3

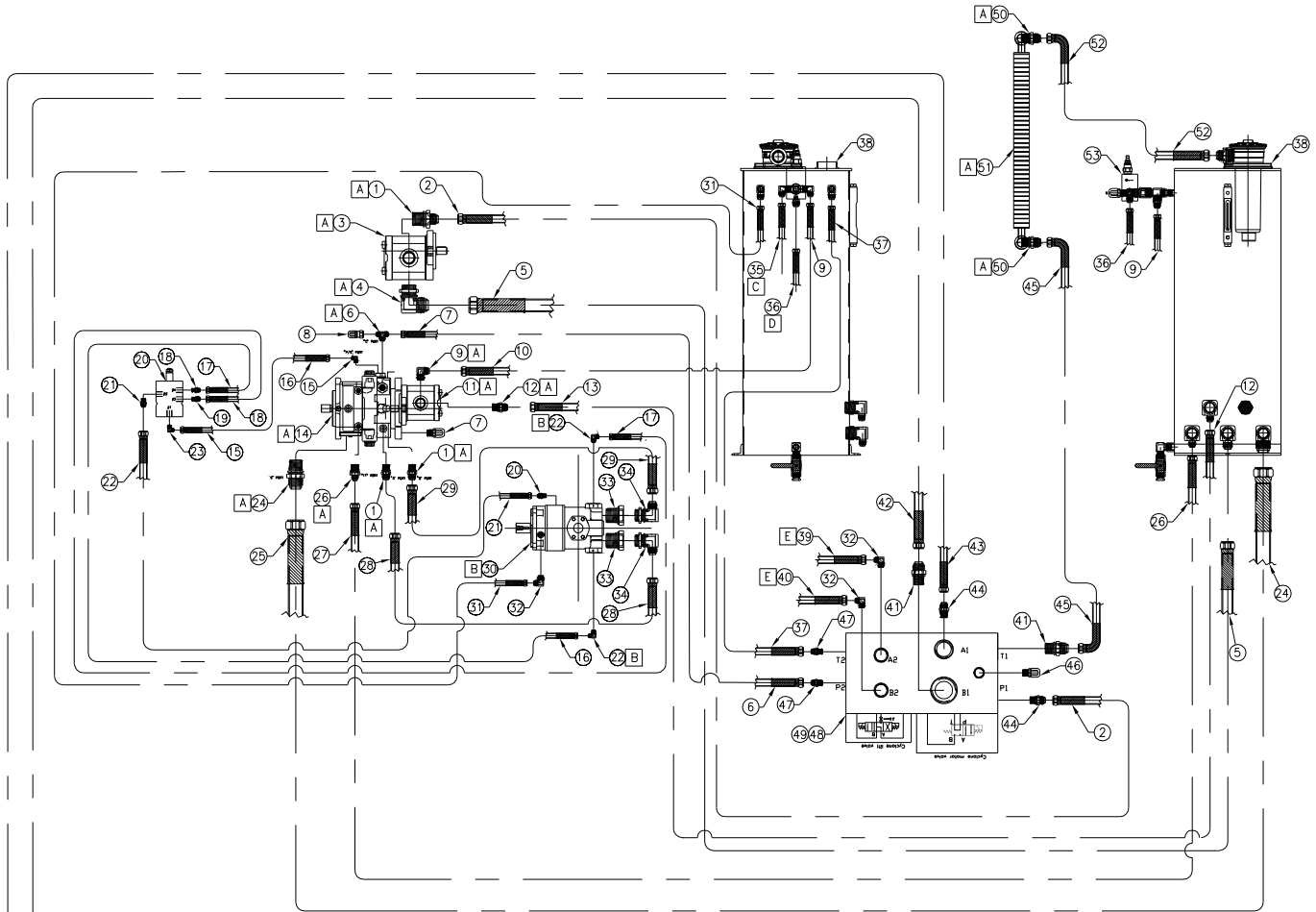
Nilfisk Cyclone**23**

Item	Ref. No.	Qty	Description
1	204-0712001-01	10	Lug Nuts 1/2-20
2	243-0300005-01	2	Center Axle Cap
3	125-4500004-01	2	Tire & Wheel Assy
4	281-0600001-01	2	Steering Tie Rod- Front Outer
5	204-0711002-01	2	Castle Nut- Lower A-Arm
6	310-0401003-01	2	Tie Rod Connecting Tube
7	270-0400002-01	1	Brake Caliper- Left
8	270-0400001-01	1	Brake Caliper- Right
9	270-0600001-01	1	Brake Pad Kit
10	223-0400002-01	1	Brake Caliper Brkt- Left
11	223-0400003-01	1	Brake Caliper Brkt- Right
12	270-0700001-01	2	Brake Line Fastening Kit
13	281-1201003-01	2	Ball Joint- Upper A-Arm
14	281-1302001-01	2	Upper A-Arm
15	237-0601001-01	1	Axle Spindle- Passenger-Side
16	237-0601001-02	1	Axle Spindle- Driver-Side
[]	116-4500004-01	2	Axle Bearing & Seal Kit
17	281-1201001-01	1	Ball Joint- Lower A-Arm Dr-S
18	281-1301001-01	1	Lower A-Arm- Passenger-Side
19	281-1301002-01	1	Lower A-Arm- Driver-Side
20	281-1201002-01	1	Ball Joint- Lower A-Arm Ps-S
21	237-0600001-01	1	Front Axle Crossmember Assy
22	280-0200001-01	2	Shock Absorber
23	316-0400002-01	2	Suspension Spring
24	304-0101011-01	2	Locking Plate- Upper A-Arm

[] = Not Shown

Item	Ref. No.	Qty	Description
1	109-0100001-01	1	Tank Sub-Assy
2	231-0103005-02	1	Tank - Diesel
[]	243-0100006-01		Filler Cap
[]	218-2500010-01		Fuel Level Sender
3	253-1700001-01	8	Diesel
4	216-0205015-04	4	Fttg- 90 3/8mpt X 3/8msae
5	216-0101018-04	7	Fttg- 3/8barb X 3/8fsae Sw
6	109-0200001-01	1	Burner Filter Sub-Assy
7	109-0000001-01	1	Filter Assy- Burner
8	204-0204002-07	2	T.F. Screw-1/4-20 X 3/4
9	216-0205021-04	2	Fttg- 90 1/4mpt X 3/8msae
10	109-0404057-06	1	Hose Assy- Tank- Burner Fltr
11	407-0601057-06	1	Hose- 3/8id X 57
12	109-0405020-06	1	Hose Assy- Fltr- Burner Supply
13	407-0601020-06	1	Hose- 3/8id X 20
14	216-0105014-04	1	Fttg- 1/4mpt X 3/8msae
15	109-0403088-03	1	Hose Assy- Eng Return - Tank
16	407-0601088-03	1	Hose- 3/16id X 88
17	109-0406033-06	1	Hose Assy- Burner- Tank
18	407-0601033-06	1	Hose- 3/8id X 33
19	216-0101029-04	1	Fttg- 5/16barb X 3/8fsae Sw
20	109-0401061-05	1	Hose Assy- Tank To Eng Fltr
21	407-0601061-05	1	Hose- 5/16 X 61
22	204-1005016-01	4	Mini Hose Clamp
23	216-0101007-04	2	Fttg- 5/16barb X 1/4mpt
24	204-0204003-07	3	T.F. Screw- 3/8-16 X 3/4
25	109-0200002-01	1	Engine Filter Sub-Assy
26	109-0000002-01	1	Engine Filter Assy
[]	215-0300017-01		Filter Element
27	109-0402037-05	1	Hose Assy- Eng Fltr To Eng
28	407-0601037-06	1	Hose- 5/16 X 37

[] = Not Shown

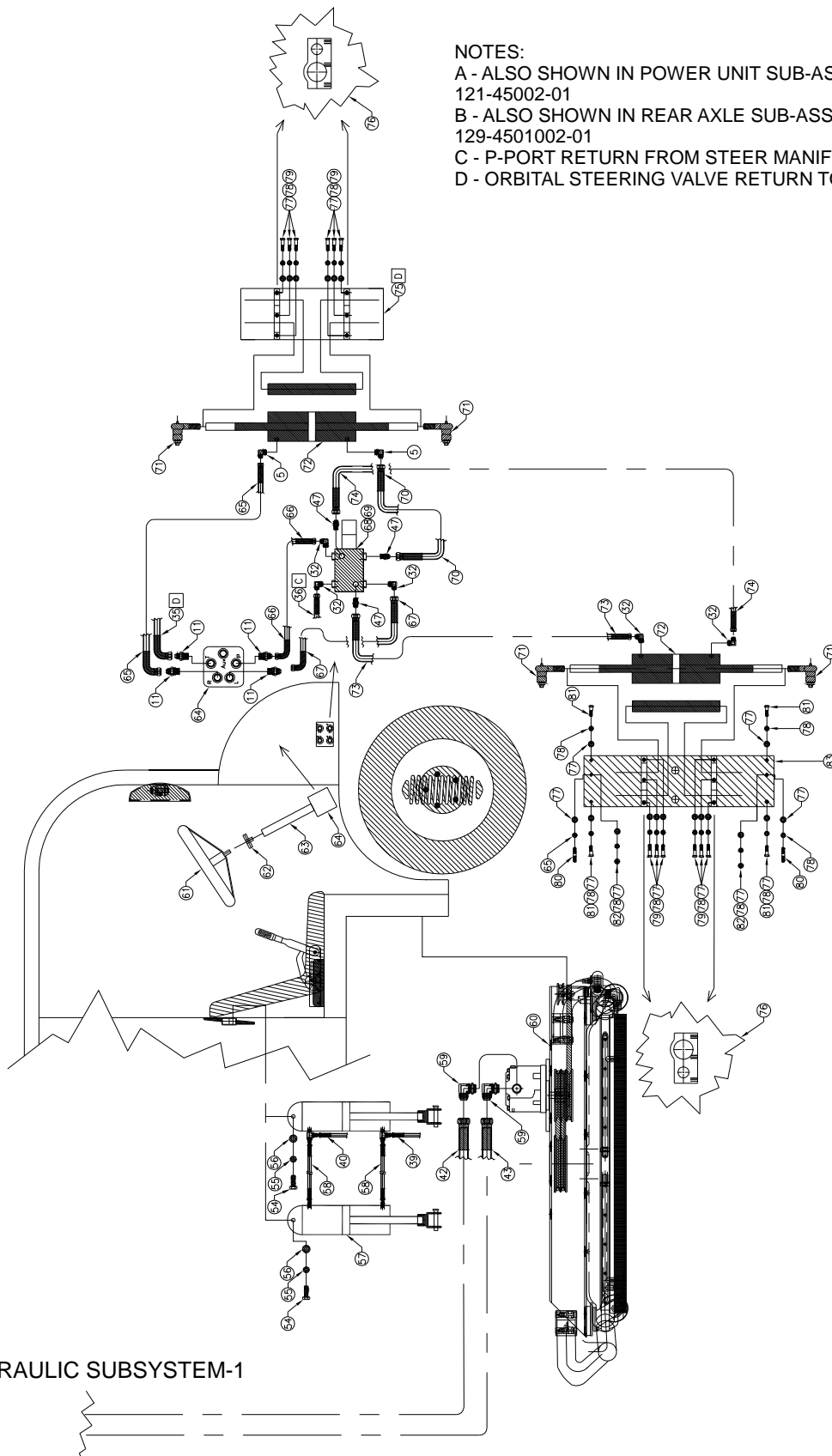


SEE HYDRAULIC SUBSYSTEM-2

- NOTES:
- A - ALSO SHOWN IN POWER UNIT SUB-ASSY DWG. NO. 121-45002-01
 - B - ALSO SHOWN IN REAR AXLE SUB-ASSY DWG. NO. 129-4501002-01
 - C - P-PORT RETURN FROM STEER MANIFOLD
 - D - ORBITAL STEERING VALVE RETURN TO TANK
 - E - #75 FRONT STEER CYLINDER MOUNTING PLATE IS A CHASSIS WELDMENT

Item	Ref. No.	Qty	Description	Item	Ref. No.	Qty	Description
1	216-0208002-01	3	Fttg- 3/4msae X 1/2mjic	48	110-0601001-01	1	Cyc-Lifting Mnflid Sub-Assy
2	110-0403325-08	1	Hose Assy- Cyc Pump-Mnflid P1	*	235-1700001-01		Hyd. Cartidge Vlv- Cyc
3	226-0200013-01	1	Cyc Hyd Pump	*	235-1700002-01		Hyd. Cartidge Vlv- Lift
*	228-3000003-01		Aux. Drive Sealing Gasket	*	218-1913001-01		Manifold Din Connector
4	216-0208017-01	1	Fttg- 90 1-1/4msae X 1mjic	49	235-0800003-01	1	Cyclone Lift Mnflid
5	110-0405525-16	1	Hose Assy- Tank To Cyc Pump	50	216-0108027-01	2	Fttg- 3/4msae X 3/4mjic W/ Oring
6	216-0408010-01	1	Fttg- Run Tee 3/8msae X 3/8mjic	51	279-0100001-01	1	Hyd Heat Exchanger
7	110-0404325-06	1	Hose Assy- Mnflid Ps-P-Prop Pmp	52	110-0404000-12	1	Hose Assy-Heat Exchgr- R Fltr
8	216-0140001-01	1	Fttg- 3/8fjic X Test Point	53	110-1000001-01	1	Press Relief Valve Sub Assy
9	216-0208012-01	3	Fttg- 90 3/4msae X 1/2mjic Inlet	54	204-0101046-07	2	Cap Screw- 1/2-13 X 1-1/2 Gr8
10	110-0401650-06	1	Hose Assy-Steer Pump-R. Valve	55	204-0604005-07	2	Lock Washer 1/2
11	226-0200011-01	1	Hyd Steer Pump- Gear	56	204-0603010-07	2	Flat Washer- 1/2 Sae
12	216-0108019-01	5	Fttg- 1/2msae X 3/8mjic Outlet	57	127-0100002-01	2	Hyd Cylinder Lifting Assy
13	110-0403600-08	1	Hose Assy- Steer Pump Suction	58	110-0400975-06	2	Hose Assy- Lifting Cyl Cnncgt
14	226-0200010-01	1	Hydraulic Propulsion Pump	59	216-0208007-01	2	Fttg- 90 1msae X 3/4mjic
15	216-0208021-01	1	Fttg- 90 1/4mjic X 1/4msae	60	104-45002-01	1	Cyclone Sub Assy
16	110-0404500-04	1	Hose Assy- Prop Pump G-Sole 1	61	281-0400002-01	1	Steering Wheel
17	110-0401800-04	1	Hose Assy- Prop Mtr C- Sole 2	*	218-1012002-01		Str Wheel Control Switch
18	110-0401100-04	1	Hose Assy- Prop Mtr D- Sole 4	*	281-0499001-01		Steer Wheel Cap
19	216-0108033-01	3	Fttg- 1/4mjic X 3/8msae	62	281-0300002-01	1	Steer Wheel Fastening Adapter
20	218-2400011-01	1	Sole Valve Assy- 2-Speed	63	281-0200002-01	1	Orbital Steering Column
21	216-0108031-01	2	Fttg- 3/8mjic X 1/4msae	64	235-1400001-01	1	Orbital Steering Valve
22	110-0401450-04	1	Hose Assy- Sole 3-Prop Pump T	65	110-0405800-06	1	Hose Assy-Str Vlv R- Lt Frt Cyl
23	216-0208022-01	3	Fttg- 90 1/4mjic X 3/8msae	66	110-0404150-06	1	Hose Assy-Str Vlv P-Str Mnflid T
24	216-0108015-01	1	Fttg- 3/4msae X 3/4mjic	67	110-0404525-06	1	Hose Assy-Str Vlv L-Str Mnflid T
25	110-0403850-12	1	Hose Assy- Prop Pump Suction	68	110-0602001-01	1	Steer Mnflid Sub-Assy
26	216-0108001-01	1	Fttg- 1/2msae X 1/2mjic	69	235-1100002-01	1	Steer Mnflid W/ Din Conn
27	110-0403500-08	1	Hose Assy- Tank To Prop Pump	*	235-1100003-01		Crtgd Vlv- Str Man - Center
28	110-0403300-08	1	Hose Assy-Prop Pmp A-Prop Mtr B	*	235-1100004-01		Crtgd Vlv- Str Man - Circle
29	110-0403600-08	1	Hose Assy-Prop Pmp B-Prop Mtr A	70	110-0403325-06	1	Hose Assy-Str Mnflid P-Rt Fr Cyl
30	214-0400006-01	1	Propulsion Motor	71	281-0600003-01	4	Outer Tie Rod With Boot
31	110-0406500-06	1	Hose Assy-Prop Mtr Return-Tank	72	281-0900001-01	1	Steer Cyl- Front
32	216-0208014-01	6	Fttg- 90 3/8msae X 3/8mjic	*	218-2500012-01		Steer Cyl Switch- Frt
33	216-0113012-01	2	Fttg- 1-1/4msae X 3/4fsae Bush	73	110-0419000-06	1	Hose Assy-Str Mnflid A-Lt R. Cyl
34	216-0208012-01	2	Fttg- 90 1/2mjic X 3/4msae	74	110-0419175-06	1	Hose Assy-Str Mnflid B-Rt R. Cyl
35	110-0418400-06	1	Hose Assy- Steer Vlv T- Tank	75	304-0301006-01	1	Plate- Fr Hyd Str Cyl Weldt
36	110-0420400-06	1	Hose Assy- Steer Mnflid P-R. Vlv	76	281-0800001-01	2	Elect Sensors With Clamps
37	110-0405075-06	1	Hose Assy- Mnflid T-Return-Tank	*	281-1000001-01	1	Wiring Components
38	110-0745003-01	1	Hydraulic Tank Sub -Assy	*	204-1008012-02	12	Steering Line Clamp 3/16
39	110-0414700-06	1	Hose Assy- Mnflid B-Lift Cyl Btm	*	223-0500001-01	4	Brkt- Str Cyl- Sensor
40	110-0414400-06	1	Hose Assy- Mnflid B-Lift Cyl Top	77	204-0604003-07	20	Lock Washer- 3/8
41	216-0108015-01	2	Fttg- 3/4msae X 3/4mjic	78	204-0603006-07	20	Flat Washer- 3/8 Sae
42	110-0412650-12	1	Hose Assy-Mnflid- Cyc Mtr Retr	79	204-0101031-07	4	Bolt- 3/8-16 X 1-1/2 Cs G8
43	110-0412225-08	1	Hose Assy-Mnflid- Cyc Mtr Press	80	204-1906001-01	2	Stud- 3/8-16 X 2- 1 & 3/4
44	216-0108001-01	2	Fttg- 1/2msae X 1/2mjic	81	204-0101031-07	12	Bolt- 3/8-16 X 1-3/4 Cs G8
45	110-0405650-12	1	Hose Assy-Mnflid T- Heat Exchgr	82	204-0703005-07	2	Hex Nut- 3/8-16 Gr8
46	216-0133001-01	1	Fttg- 1/4msae X Test Point	83	304-0301007-01	1	Plate- R Hyd Str Cyl Mntg
47	216-0108024-01	5	Fttg- 3/8msae X 3/8mjic	84	281-0900002-01	1	Steer Cyl- Rear
				*	218-2500013-01		Steer Cyl Switch- Rear
				*	110-2500001-01		Pressure Gauge Test Assy
				*	228-0100030-01		Oring- Sae No. 04
				*	228-0100031-01		Oring- Sae No. 06
				*	228-0100032-01		Oring- Sae No. 08
				*	228-0100033-01		Oring- Sae No. 10
				*	228-0100034-01		Oring- Sae No. 12
				*	228-0100035-01		Oring- Sae No. 16
				*	228-0100036-01		Oring- Sae No. 20
				*	228-0100037-01		Oring- Sae No. 24

[] = Not Shown

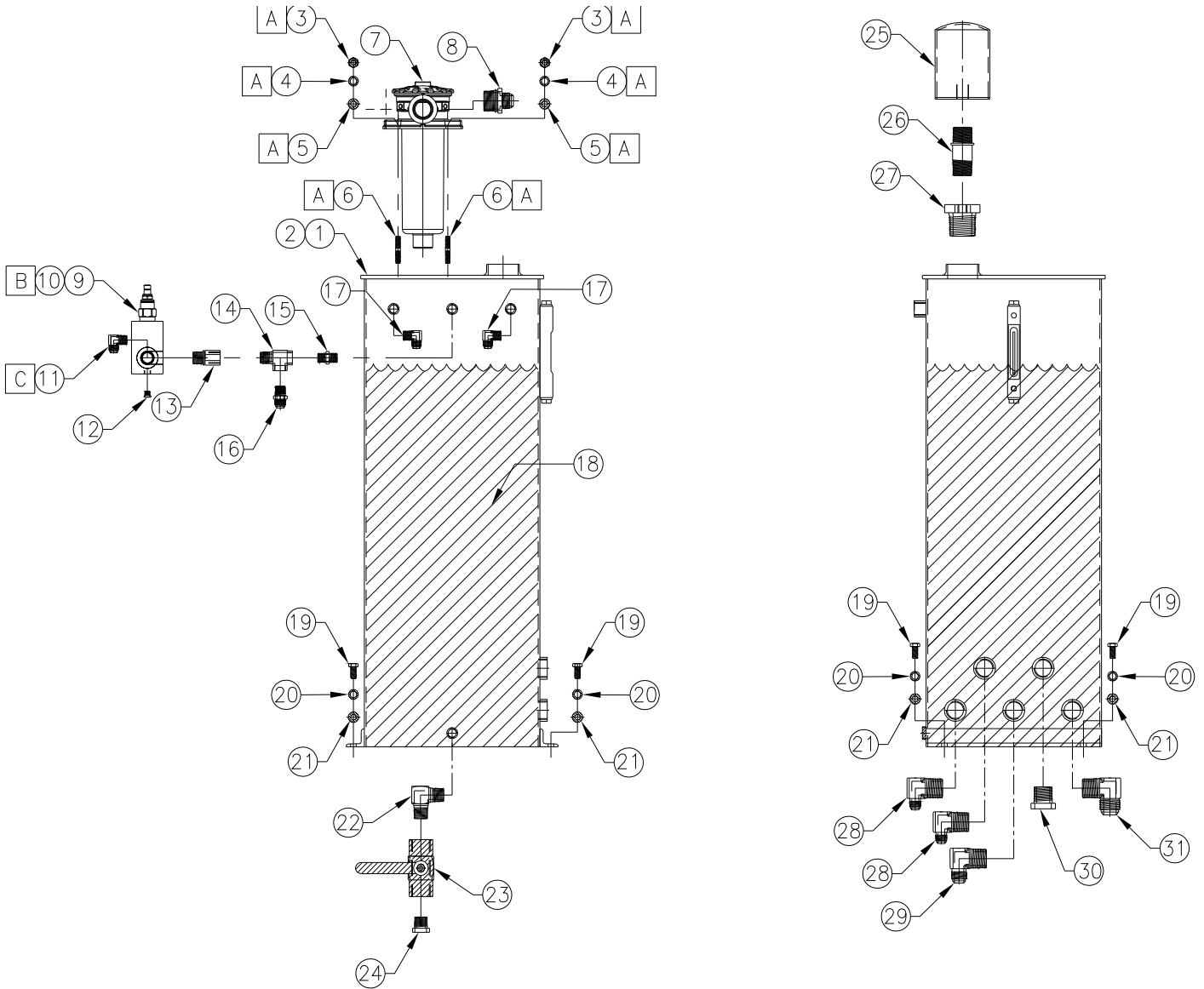


NOTES:
A - ALSO SHOWN IN POWER UNIT SUB-ASSY DWG. NO. 121-45002-01
B - ALSO SHOWN IN REAR AXLE SUB-ASSY DWG. NO. 129-4501002-01
C - P-PORT RETURN FROM STEER MANIFOLD
D - ORBITAL STEERING VALVE RETURN TO TANK

SEE HYDRAULIC SUBSYSTEM-1

Item	Ref. No.	Qty	Description	Item	Ref. No.	Qty	Description
1	216-0208002-01	3	Fttg- 3/4msae X 1/2mjic	48	110-0601001-01	1	Cyc-Lifting Mnflid Sub-Assy
2	110-0403325-08	1	Hose Assy- Cyc Pump-Mnflid P1	*	235-1700001-01		Hyd. Cartridge Vlv- Cyc
3	226-0200013-01	1	Cyc Hyd Pump	*	235-1700002-01		Hyd. Cartridge Vlv- Lift
*	228-3000003-01		Aux. Drive Sealing Gasket	*	218-1913001-01		Manifold Din Connector
4	216-0208017-01	1	Fttg- 90 1-1/4msae X 1mjic	49	235-0800003-01	1	Cyclone Lift Mnflid
5	110-0405525-16	1	Hose Assy- Tank To Cyc Pump	50	216-0108027-01	2	Fttg- 3/4msae X 3/4mjic W/ Oring
6	216-0408010-01	1	Fttg- Run Tee 3/8msae X 3/8mjic	51	279-0100001-01	1	Hyd Heat Exchanger
7	110-0404325-06	1	Hose Assy- Mnflid Ps-P-Prop Pump	52	110-0404000-12	1	Hose Assy-Heat Exchgr- R Fltr
8	216-0140001-01	1	Fttg- 3/8fjic X Test Point	53	110-1000001-01	1	Press Relief Valve Sub Assy
9	216-0208012-01	3	Fttg- 90 3/4msae X 1/2mjic Inlet	54	204-0101046-07	2	Cap Screw- 1/2-13 X 1-1/2 Gr8
10	110-0401650-06	1	Hose Assy-Steer Pump-R. Valve	55	204-0604005-07	2	Lock Washer 1/2
11	226-0200011-01	1	Hyd Steer Pump- Gear	56	204-0603010-07	2	Flat Washer- 1/2 Sae
12	216-0108019-01	5	Fttg- 1/2msae X 3/8mjic Outlet	57	127-0100002-01	2	Hyd Cylinder Lifting Assy
13	110-0403600-08	1	Hose Assy- Steer Pump Suction	58	110-0400975-06	2	Hose Assy- Lifting Cyl Cnctg
14	226-0200010-01	1	Hydraulic Propulsion Pump	59	216-0208007-01	2	Fttg- 90 1msae X 3/4mjic
15	216-0208021-01	1	Fttg- 90 1/4mjic X 1/4msae	60	104-45002-01	1	Cyclone Sub Assy
16	110-0404500-04	1	Hose Assy- Prop Pump G-Sole 1	61	281-0400002-01	1	Steering Wheel
17	110-0401800-04	1	Hose Assy- Prop Mtr C- Sole 2	*	218-1012002-01		Str Wheel Control Switch
18	110-0401100-04	1	Hose Assy- Prop Mtr D- Sole 4	*	281-0499001-01		Steer Wheel Cap
19	216-0108033-01	3	Fttg- 1/4mjic X 3/8msae	62	281-0300002-01	1	Steer Wheel Fastening Adapter
20	218-2400011-01	1	Sole Valve Assy- 2-Speed	63	281-0200002-01	1	Orbital Steering Column
21	216-0108031-01	2	Fttg- 3/8mjic X 1/4msae	64	235-1400001-01	1	Orbital Steering Valve
22	110-0401450-04	1	Hose Assy- Sole 3-Prop Pump T	65	110-0405800-06	1	Hose Assy-Str Vlv R- Lt Frt Cyl
23	216-0208022-01	3	Fttg- 90 1/4mjic X 3/8msae	66	110-0404150-06	1	Hose Assy-Str Vlv P-Str Mnflid T
24	216-0108015-01	1	Fttg- 3/4msae X 3/4mjic	67	110-0404525-06	1	Hose Assy-Str Vlv L-Str Mnflid T
25	110-0403850-12	1	Hose Assy- Prop Pump Suction	68	110-0602001-01	1	Steer Mnflid Sub-Assy
26	216-0108001-01	1	Fttg- 1/2msae X 1/2mjic	69	235-1100002-01	1	Steer Mnflid W/ Din Conn
27	110-0403500-08	1	Hose Assy- Tank To Prop Pump	*	235-1100003-01		Crtgdg Vlv- Str Man - Center
28	110-0403300-08	1	Hose Assy-Prop Pmp A-Prop Mtr B	*	235-1100004-01		Crtgdg Vlv- Str Man - Circle
29	110-0403600-08	1	Hose Assy-Prop Pmp B-Prop Mtr A	70	110-0403325-06	1	Hose Assy-Str Mnflid P-Rt Fr Cyl
30	214-0400006-01	1	Propulsion Motor	71	281-0600003-01	4	Outer Tie Rod With Boot
31	110-0406500-06	1	Hose Assy-Prop Mtr Return-Tank	72	281-0900001-01	1	Steer Cyl- Front
32	216-0208014-01	6	Fttg- 90 3/8msae X 3/8mjic	*	218-2500012-01		Steer Cyl Switch- Frt
33	216-0113012-01	2	Fttg- 1-1/4msae X 3/4fsae Bush	73	110-0419000-06	1	Hose Assy-Str Mnflid A-Lt R. Cyl
34	216-0208012-01	2	Fttg- 90 1/2mjic X 3/4msae	74	110-0419175-06	1	Hose Assy-Str Mnflid B-Rt R. Cyl
35	110-0418400-06	1	Hose Assy- Steer Vlv T- Tank	75	304-0301006-01	1	Plate- Fr Hyd Str Cyl Weldt
36	110-0420400-06	1	Hose Assy- Steer Mnflid P-R. Vlv	76	281-0800001-01	2	Elect Sensors With Clamps
37	110-0405075-06	1	Hose Assy- Mnflid T-Return-Tank	*	281-1000001-01	1	Wiring Components
38	110-0745003-01	1	Hydraulic Tank Sub -Assy	*	204-1008012-02	12	Steering Line Clamp 3/16
39	110-0414700-06	1	Hose Assy- Mnflid B-Lift Cyl Btm	*	223-0500001-01	4	Brkt- Str Cyl- Sensor
40	110-0414400-06	1	Hose Assy- Mnflid B-Lift Cyl Top	77	204-0604003-07	20	Lock Washer- 3/8
41	216-0108015-01	2	Fttg- 3/4msae X 3/4mjic	78	204-0603006-07	20	Flat Washer- 3/8 Sae
42	110-0412650-12	1	Hose Assy-Mnflid- Cyc Mtr Retr	79	204-0101031-07	4	Bolt- 3/8-16 X 1-1/2 Cs G8
43	110-0412225-08	1	Hose Assy-Mnflid- Cyc Mtr Press	80	204-1906001-01	2	Stud- 3/8-16 X 2- 1 & 3/4
44	216-0108001-01	2	Fttg- 1/2msae X 1/2mjic	81	204-0101031-07	12	Bolt- 3/8-16 X 1-3/4 Cs G8
45	110-0405650-12	1	Hose Assy-Mnflid T- Heat Exchgr	82	204-0703005-07	2	Hex Nut- 3/8-16 Gr8
46	216-0133001-01	1	Fttg- 1/4msae X Test Point	83	304-0301007-01	1	Plate- R Hyd Str Cyl Mntg
47	216-0108024-01	5	Fttg- 3/8msae X 3/8mjic	84	281-0900002-01	1	Steer Cyl- Rear
				*	218-2500013-01		Steer Cyl Switch- Rear
				*	110-2500001-01		Pressure Gauge Test Assy
				*	228-0100030-01		Oring- Sae No. 04
				*	228-0100031-01		Oring- Sae No. 06
				*	228-0100032-01		Oring- Sae No. 08
				*	228-0100033-01		Oring- Sae No. 10
				*	228-0100034-01		Oring- Sae No. 12
				*	228-0100035-01		Oring- Sae No. 16
				*	228-0100036-01		Oring- Sae No. 20
				*	228-0100037-01		Oring- Sae No. 24

[] = Not Shown



NOTES:

A - (2) ADDITIONAL REQUIRED. NOT SHOWN FOR CLARITY PURPOSES

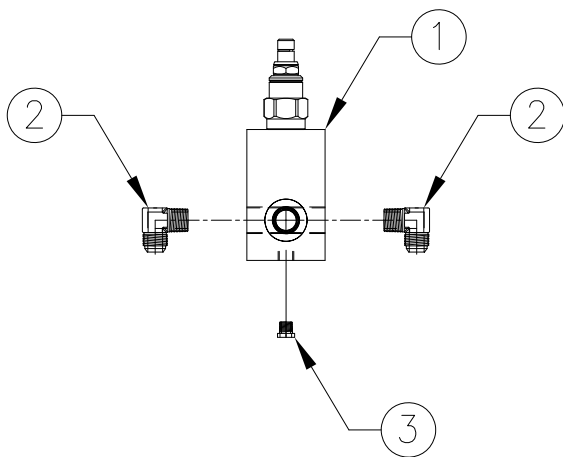
B - (1) FITTING, 1/4" MSAE X TEST POINT 216-0133001-01, NOT SHOWN FOR CLARITY PURPOSES

C - (1) ADDITIONAL REQUIRED. NOT SHOWN FOR CLARITY PURPOSES

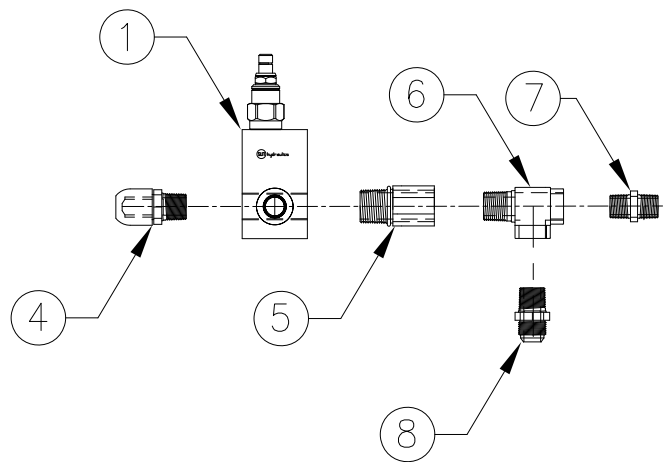
Item	Ref. No.	Qty	Description
1	110-0745002-01	1	Hydraulic Tank Sub-Assy
2	231-0203006-01	1	Hyd. Tank W/ Sight Gauge
[]	217-0300002-01	1	Level Gauge W/ Thermometer
3	204-0703005-07	4	Hex Nut- 3/8-16 G8
4	204-0604003-07	4	Lock Washer- 3/8
5	204-0603006-07	4	Flat Washer- 3/8 Sae
6	204-1906001-01	4	Stud- 3/8-16 X 2
7	108-02lp4500-01	1	Hyd Return Filter Assy
[]	215-0100037-01	1	Return Filter Element
8	216-0108025-01	1	Fttg- 1-1/2msae X 1mjic
9	110-1000001-01	1	Hyd Press R Valve Sub-Assy
10	235-0400008-01	1	Pressure Relief Valve
11	216-0208014-01	2	Fttg- 90 3/8 Msae X 3/8mjic
12	216-0802003-01	1	Fttg- 1/4mpt Plug
[]	216-0133001-01	1	Fttg- 1/4msae X Test Point
13	216-0104004-01	1	Fttg- 3/8msae X 3/8fpt
14	216-0402028-01	1	Fttg- Run Tee 3/8mpt
15	216-1000006-01	1	Fttg- 3/8mpt Hex Nipple
16	216-0105033-01	1	Fttg- 3/8mpt X 3/8mjic
17	216-0205016-01	1	Fttg- 90 3/8mpt X 3/8mjic
18	253-0100002-01	22.5	Hyd Oil- Iso 46
19	204-0101028-07	4	Bolt- 3/8-16 X 1 Cs G8
20	204-0604003-07	4	Lock Washer- 3/8
21	204-0603006-07	4	Flat Washer- 3/8 Sae
22	216-0202012-01	1	Fttg- 90 1/2mpt X 1/2mpt
23	235-0100008-01	1	Ball Valve- 1/2fpt
24	216-0802014-01	1	Fttg- 1/2mpt Plug
25	273-0202002-01	1	Hyd Breather Element
26	216-0104005-01	1	Fttg- 3/4mpt X 3/4msae
27	216-0102097-05	1	Fttg- 2mpt X 3/4fpt S80
28	216-0205022-01	2	Fttg- 90 1mpt X 1/2mjic
29	216-0205007-01	1	Fttg- 90 1mpt X 3/4mjic
30	216-0802013-01	1	Fttg- 1mpt Plug
31	216-0205011-01	1	Fttg- 90 1mpt X 1mjic

[] = Not Shown

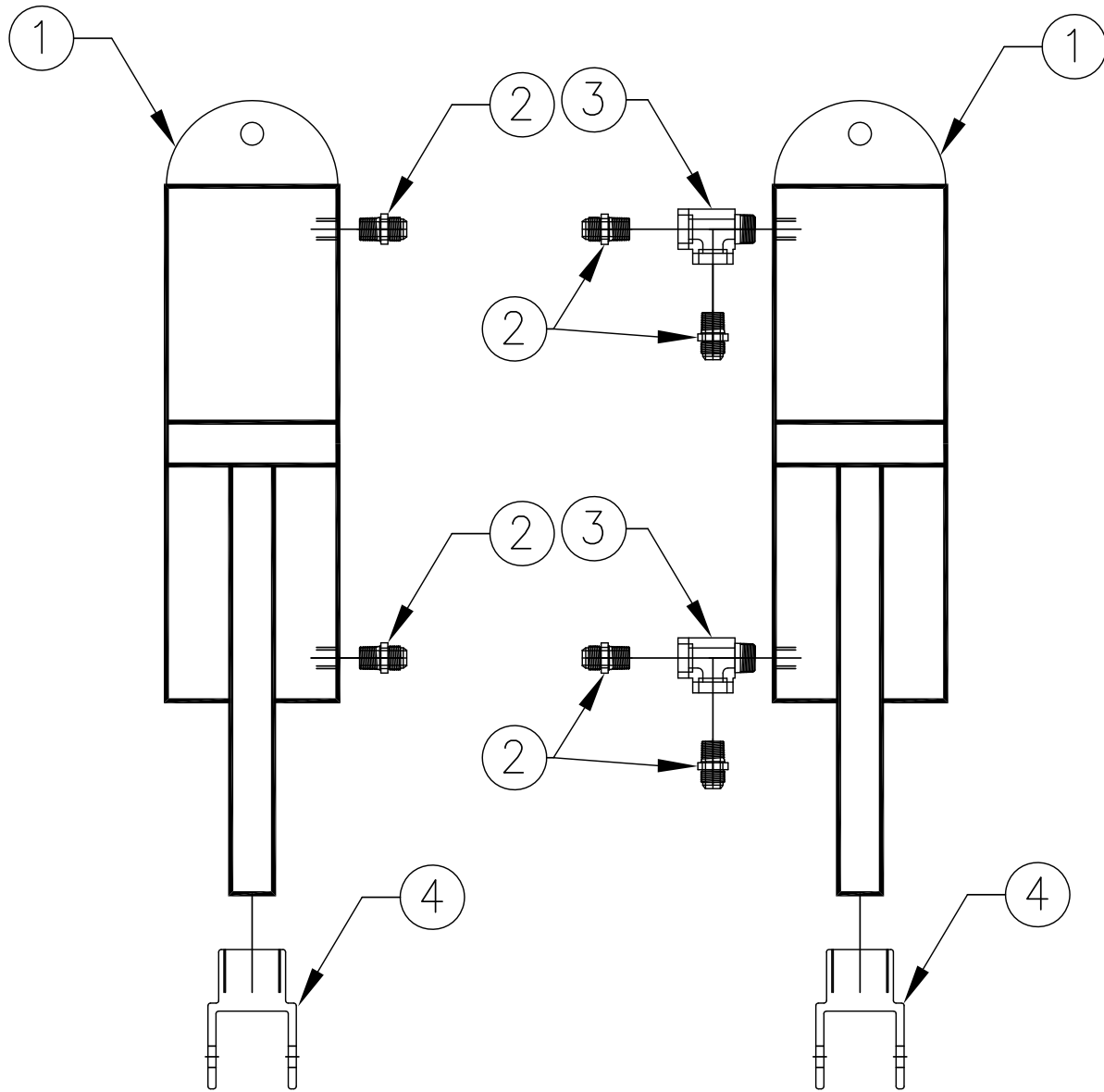
VIEW FROM REAR
OF UNIT 4500



SIDE VIEW



Item	Ref. No.	Qty	Description
1	216-0133001-01	1	Pressure Relief Valve
2	216-0208014-01	2	Fitting, 90, 3/8"Msae X #6mjic, Steel
3	216-0802003-01	1	Fitting, 1/4" Mpt Plug, Steel
4	216-0133001-01	1	Fitting, St, 1/4" Moring X Test Point, Steel
5	216-0104004-01	1	Fitting, St, 3/8"Msae X 3/8" Fpt, Steel
6	216-0402028-01	1	Fitting, Tee, 3/8" Mpt X (2) 3/8" Fpt Run Tee, Steel
7	216-1000006-01	1	Fitting, St, 3/8" Hex Nipple, Steel
8	216-0105033-01	1	Fitting, St, 3/8" Mpt X #6mjic, Steel



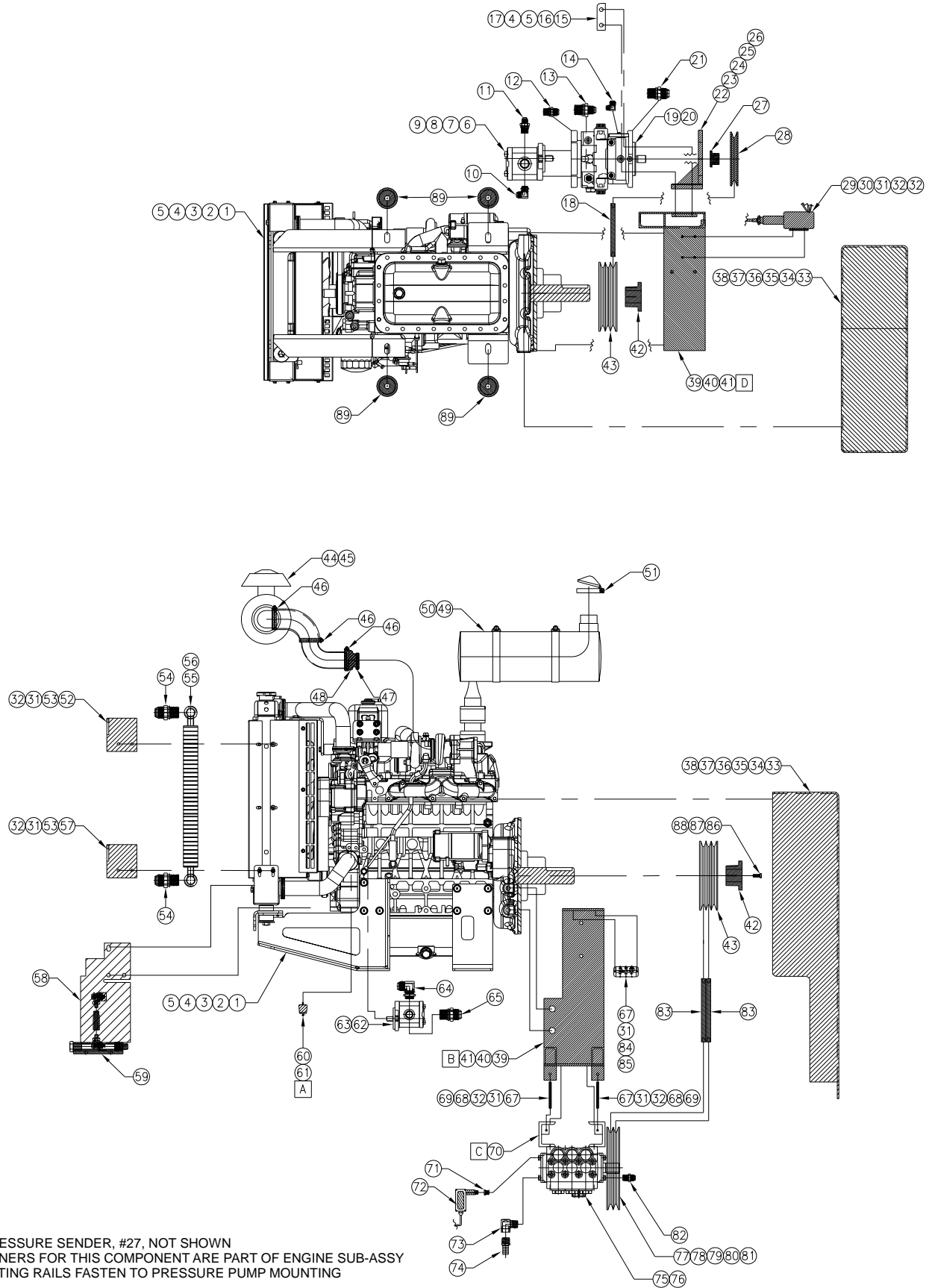
09-10

HYDRAULIC LIFTING SUB ASSEMBLY

Nilfisk Cyclone

35

Item	Ref. No.	Qty	Description
1	220-0500003-01	2	Hyd. Cylinder, Lifting, 1.50" Bore
2	216-0105004-01	6	Fitting, St, 1/4"Mpt X #6mjic, Steel
3	216-0402024-01	2	Fitting-Male Run Tee 1/4, Steel
4	204-2100002-02	2	Clevis Rod, 1/2-20", St. Steel

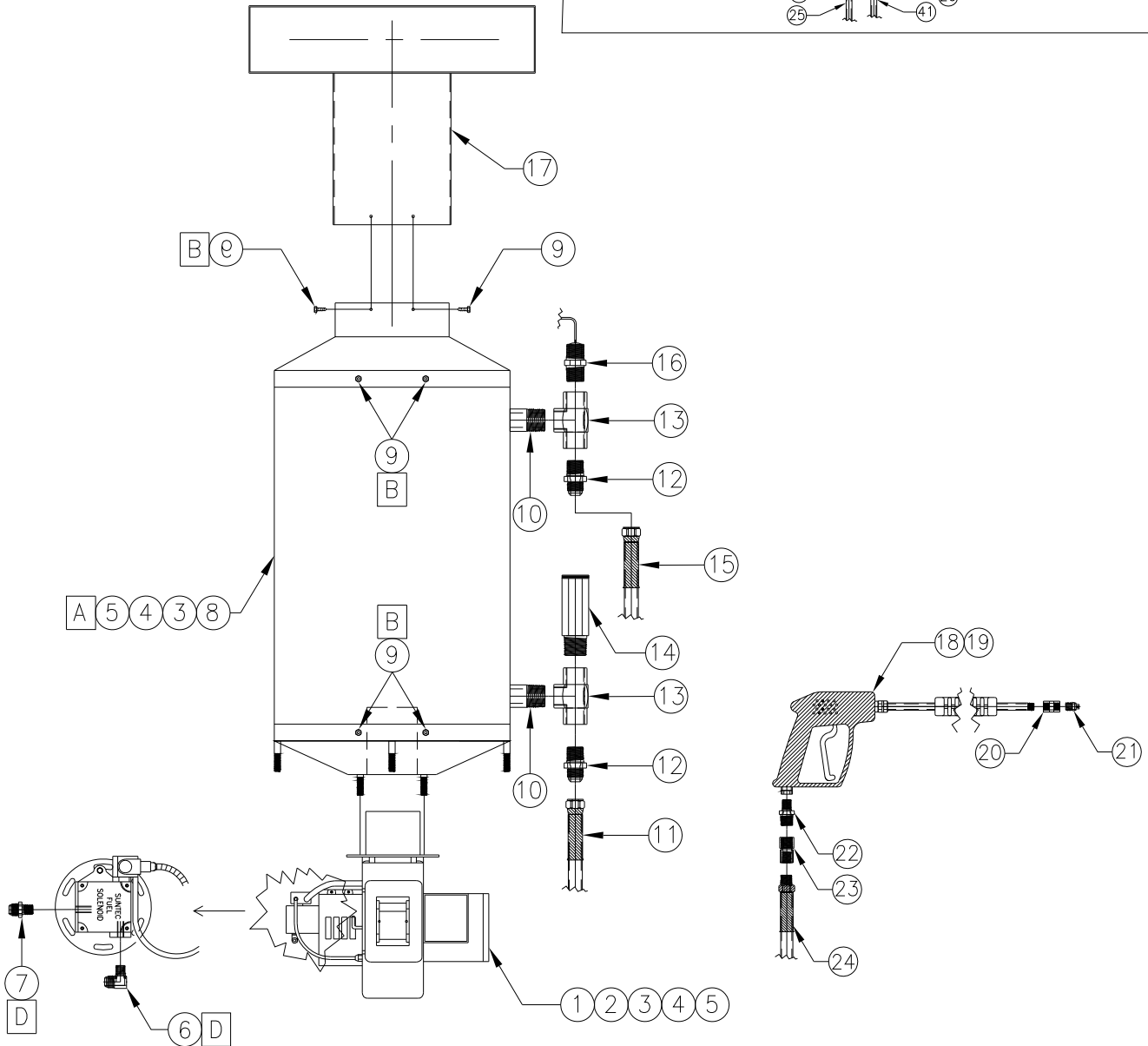
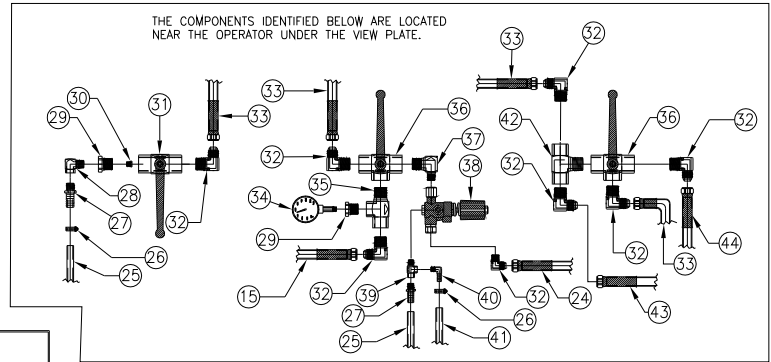


NOTES:
 A - OIL PRESSURE SENDER, #27, NOT SHOWN
 B - FASTENERS FOR THIS COMPONENT ARE PART OF ENGINE SUB-ASSY
 C - MOUNTING RAILS FASTEN TO PRESSURE PUMP MOUNTING

Item	Ref. No.	Qty	Description	Item	Ref. No.	Qty	Description
1	121-0100002-01	1	Engine Build Sub-Assy	58	121-0900002-01	1	Filtr Pump Mntg Plate Sub-Assy- Eng-Side
2	214-0200002-01	1	Engine- Kubota Turbo	[]	304-0301016-01	1	Plate- 3/8 Filter Pump Mntg- Pump-Side
3	204-0101048-07	8	Cap Screw- 1/2-13 X 2 Gr8	[]	408-01050040-19	1	Cut Tube- Tapped
4	204-0604005-07	9	Lock Washer- 1/2	[]	408-01040040-19	1	Cut Tube- Filtr Pump Fastening
5	204-0603010-07	5	Flat Washer- 1/2	[]	411-0110010-13	1	Cut Angle- Filter Pump Belt Adjustment
[]	215-0600013-01		Engine Oil Filter	[]	204-0702008-01	2	Jam Nut- 3/8-24 Jam Lt-Hand
[]	215-0300017-01		Engine Fuel Filter- Particle	[]	204-0702009-01	1	Jam Nut- 3/8-24 Rt-Hand
[]	215-0200012-01		Air Filter- Outer	[]	227-0100004-01	1	Rod End- Filtr Pump Belt Tensioner Lt-Hnd
[]	215-0200013-01		Air Filter- Inner	[]	227-0100005-01	1	Rod End- Filtr Pump Belt Tensioner Rt-Hnd
[]	218-1003005-01		Ignition Key Switch	[]	204-0101030-07	1	Cap Screw- 3/8-16 X 1-1/2 Gr8
[]	256-0300003-01		Keys- Set	[]	204-0603006-07	2	Flat Washer- 3/8 Sae
[]	275-0200003-01		Alternator	[]	204-0704004-07	1	Lock Nut- 3/8-16 Nylon
[]	218-3700003-01		Starter	[]	204-0101085-07	1	Cap Screw- 5/8-11 X 7 Gr8
[]	203-0100048-01		Belt- Starter Drive	[]	204-0704009-07	1	Lock Nut- 5/8-11 Nylon
6	110-0103001-01	1	Steering Pump Sub-Assy	[]	204-0603013-07	2	Flat Washer- 5/8 Sae
7	226-0200011-01	1	Hyd Steering Pump	59	121-0900003-01	1	Filtr Pump Mntg Plate Sub-Assy- Pmp-Side
8	204-0101028-07	2	Cap Screw- 3/8-16 X 1 Gr8	[]	304-0101010-01	1	Plate- Filter Pump Mounting Engine-Side
9	204-0603006-07	2	Flat Washer- 3/8 Sae	[]	408-01040040-19	2	Cut Tube- Filtr Pump Fastening
10	216-0208012-01	1	Fitting- 90 3/4msae X 1/2mjic	[]	411-0110010-13	1	Cut Angle- Filter Pump Belt Adjustment
11	216-0108002-01	1	Fitting- 3/4msae X 1/2mjic	[]	204-0101030-07	5	Cap Screw- 3/8-16 X 1-1/2 Gr8
12	216-0108024-01	1	Fitting- 3/8msae X 3/8mjic	[]	204-0603006-07	10	Flat Washer- 3/8 Sae
13	216-0108001-01	1	Fitting- 1/2msae X 1/2mjic	[]	204-0704004-07	5	Lock Nut- 3/8-16 Nylon
14	216-0208014-01	1	Fitting- 90 3/8msae X 3/8mjic	60	218-2500008-01	1	Water Temperature Sender
15	304-0401030-01	1	Plate- Propulsion Pump Tensioner	61	218-2500009-01	1	Oil Pressure Sender
16	204-2600001-07	1	All-Thread- 1/2-13 X 4-1/2	[]	121-0900001-01	1	Filter Pump Sub-Assy
17	204-0703007-07	2	Hex Nut- 1/2-13	[]	226-0300009-01	1	Filter Pump
18	203-0100008-01	1	Belt- Propulsion Pump	[]	216-0101010-04	2	Fitting- 3/4mpt X 1 Barb Brass
19	110-0102002-01	1	Hydraulic Propulsion Pump Sub-Assy	[]	216-0202016-04	1	Fitting- 90 3/4fpt X 3/4mpt Brass
20	226-0200010-01	1	Hydraulic Propulsion Pump	[]	226-0300023-01	1	Pump Pedestal
21	216-0108015-01	1	Fitting- 3/4msae X 3/4mjic	[]	269-0100007-01	1	Filter Pump Clutch Assy
22	223-0600002-01	1	Hyd Propulsion Pump Mounting Brkt	[]	204-0101030-07	4	Cap Screw- 3/8-16 X 1-1/2 Gr8
23	204-0101043-07	2	Cap Screw- 7/16-14 X 2 Gr8	[]	204-0603006-07	8	Flat Washer- 3/8 Sae
24	204-0101084-07	2	Cap Screw- 7/16-14 X 2-1/4 Gr	[]	204-0704004-07	4	Lock Nut- 3/8-16 Nylon
25	204-0603008-07	4	Flat Washer- 7/16 Sae	[]	204-0101041-07	1	Cap Screw- 7/16-14 X 1-1/4 Gr8
26	204-0604004-07	4	Lock Washer- 7/16	[]	204-0603008-07	4	Flat Washer- 7/16 Sae
27	207-1001001-01	1	Splined Bushing- 7/8 13-Tooth	[]	204-0604004-07	4	Lock Washer- 7/16
28	236-0200014-01	1	Propulsion Pump Pulley	[]	203-0100034-01	1	Belt- Filter Pump
29	218-2400001-01	1	Solenoid	62	110-0101001-01	1	Cyclone Hydraulic Pump Sub-Assy
30	204-0101003-07	4	Cap Screw- 1/4-20 X 3/4 Gr8	63	226-0200013-01	1	Hyd Pump- Sae A
31	204-0603002-07	20	Flat Washer- 1/4 Sae	64	216-0208017-01	1	Fitting- 90 1-1/4msae X 1mjic
32	204-0604001-07	16	Lock Washer- 1/4	65	216-0108002-01	1	Fitting- 3/4msae X 1/2mjic
33	262-0300008-09	1	Belt Guard- Vented	[]	228-3000003-01	1	Auxiliary Drive Gasket
34	204-0101029-07	3	Cap Screw- 3/8-16 X 1-1/4 Gr8	66	121-1000002-01	1	Engine Cradle Sub-Assembly
35	204-0603006-07	2	Flat Washer- 3/8 Sae	67	204-0203001-06	2	All-Thread- 1/4-20 X 3
36	204-0604003-07	1	Lock Washer- 3/8	68	204-0703001-07	4	Hex Nut- 1/4-20
37	204-0601003-07	3	Fender Washer- 3/8	69	204-1103001-01	2	Shaft Collar- 1/2
38	204-0704004-07	2	Lock Nut- 3/8-16 Nylon	70	226-0600001-01	1	Pump Mounting Rails- Set
39	121-1000002-01	1	Engine Cradle Sub-Assembly	71	216-0102015-01	1	Fitting- 1/2mpt X 3/8fpt Bushing
40	204-0104029-02	1	Socket Head Screw- 10-1.5 X 60mm Gr8	72	218-1005001-01	1	Pressure Switch
41	204-0603023-02	1	Flat Washer- 10mm	73	216-0202016-04	1	Fitting- 90 3/4fpt X 3/4mpt Brass
42	207-0201003-01	1	Bushing- Q1	74	216-0101012-04	1	Fitting- 3/4mpt X 3/4barb Brass
43	236-0400009-01	1	Pulley- Pump & Motor Driver	75	121-0300002-01	1	Pressure Pump Sub-Assembly
44	121-0200002-01	1	Air Intake Sub-Assy	76	226-0300015-02	1	Pressure Pump
45	215-0415002-01	1	Filter Housing- Air Intake	[]	116-4500016-01	*	Oil Seal Kit- P450b
[]	215-0200012-01	1	Air Filter Element- Outer	[]	116-4500017-01	*	Check Valve Kit- P450b
[]	215-0200013-01	1	Air Filter Element- Inner	[]	116-4500018-01	*	Plunger Packing Kit- P450b
46	204-1005013-01	3	Hose Clamp 40	[]	242-0413001-01	*	Plunger Pipe- Ceramic
47	204-1005012-01	1	Hose Clamp 32	[]	228-2000007-04	*	Weep Seal- Return Ring
48	221-0600005-01	1	Tube Connecting Hose- Air Intake	[]	228-2000012-01	*	Pressure Ring Seal
49	121-0200003-01	8	Muffler Sub-Assembly	[]	228-2000010-01	*	Leakage Seal- Oil Drain Plug
50	277-0400001-01	1	Muffler	[]	228-1300004-01	*	Sealing Washer- Suction Port
51	243-0300003-01	1	Exhaust Cap- Rain Guard	[]	228-1800001-01	*	Seal Casing
52	121-1100001-01	1	Exchanger Mounting Brkt- Top	[]	253-0200003-01	2	Pressure Pump Oil- 20w-50 Synthetic
53	204-0101005-20	8	Cap Screw- 1/4-20 X 1-1/4 Gr8	77	269-0100005-01	1	Clutch Assembly
54	216-0108027-01	2	Fitting- 3/4msae X 3/4mjic With Oring	78	204-0101080-07	1	Cap Screw- 6 X 20 Mm Gr8
55	110-0500001-01	1	Heat Exchanger Sub-Assy	79	204-0603022-01	4	Flat Washer- 6mm Sae
56	279-0100001-01	1	Heat Exchanger	80	204-0604010-07	4	Lock Washer- 6mm
57	121-1100002-01	2	Exchanger Mounting Brkt- Bottom	81	304-0403014-01	1	Spacer- Clutch Mount
				82	216-0105035-01	1	Fitting- 1/2mpt X 1/2mjic
				83	203-0100027-01	2	Belt- Pressure Pump
				84	204-0103001-20	2	Cap Screw- 1/4-20 X 1 Gr8
				85	204-0704002-07	2	Lock Nut- 1/4-20 Nylon
				86	204-0101014-07	1	Cap Screw- 5/16-18 X 1 Gr8
				87	204-0603006-07	1	Flat Washer- 5/16
				88	204-0604002-07	1	Lock Washer- 5/16
				89	218-2100007-08	4	Eng Vibration Dampener
				90	218-0900010-01	1	Throttle Control Relay Module

[] = Not Shown

FORM NO. 56042513



NOTES:

A - (1) ADDITIONAL FASTENING STUD NOT SHOWN

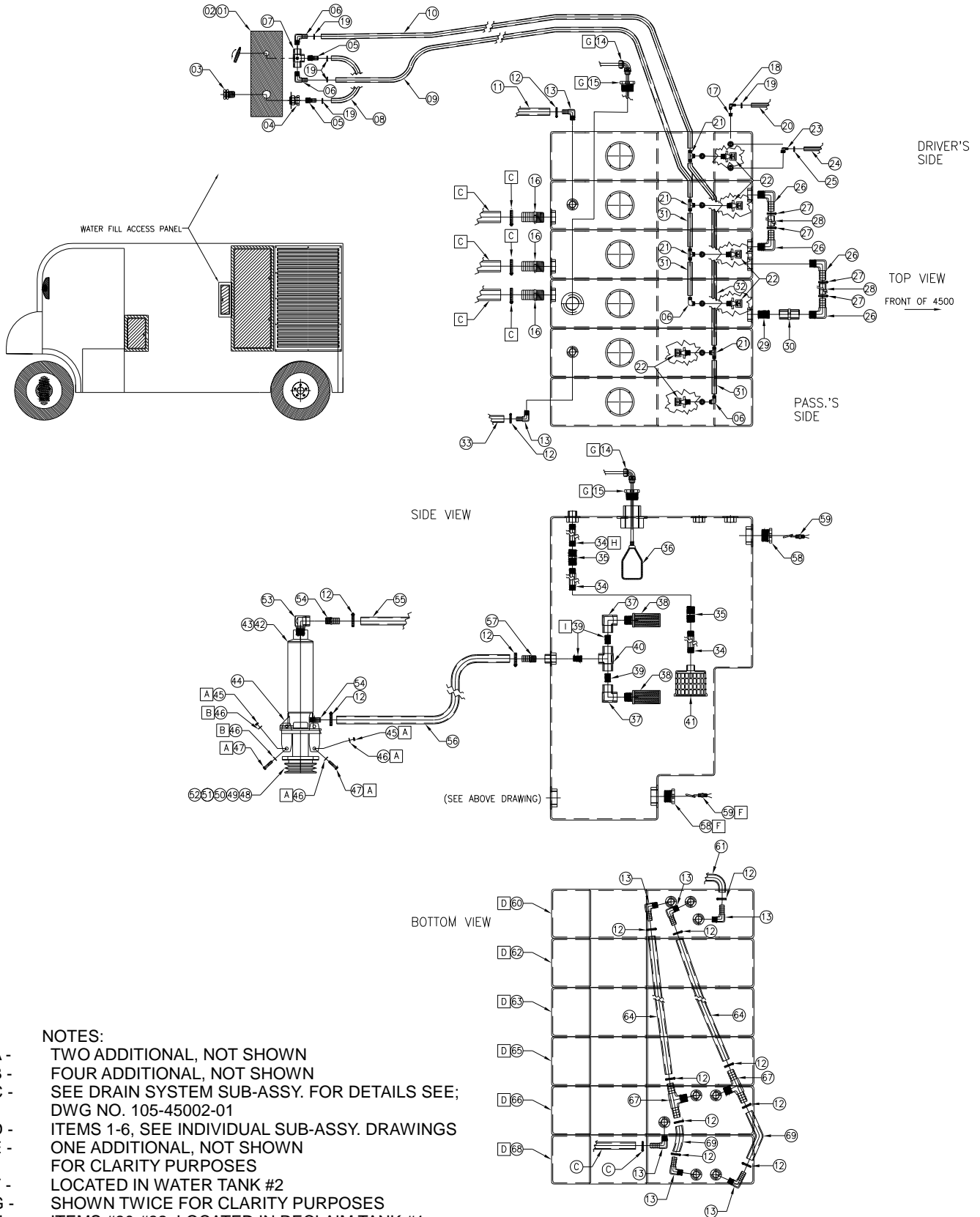
B - (2) ADDITIONAL SCREWS NOT SHOWN

C - FASTENING HARDWARE NOT SHOWN FOR CLARITY PURPOSES

D - ONE EACH OF ITEMS #39 & #40 ALSO EXIST FUEL SUPPLY & RETURN SUB-ASSY. DRAWING

Item	Ref. No.	Qty	Description
1	111-0100001-01	1	Burner & Coil Sub-Assy
2	206-0100003-01	1	Oil Burner-12v
[]	218-2300014-01	1	Burner Controller
[]	206-0400002-01	1	Cad Flame Sensor
[]	215-0600001-01	1	Fuel Filter Element
[]	218-2400009-01	1	Fuel Solenoid- Burner
[]	230-0400009-01	1	Fuel Nozzle 1.10gph
[]	230-0400010-01	1	Fuel Nozzle 1.50gph
[]	116-4500001-01	1	Electrode Insulator
[]	206-0600001-01	1	Flame Retention Hood- F6
[]	206-0600002-01	1	Flame Retention Hood- F12
3	204-0603006-07	6	Flat Washer 3/8 Sae
4	204-0604003-07	6	Lock Washer 3/8
5	204-0703004-07	6	Hex Nut 3/8-16
6	216-0105014-04	2	Fttg- 1/4mpt X 3/8msae Br
7	216-0205021-04	2	Fttg- 90 1/4mpt X 3/8msae Br
8	211-0100004-01	1	Heater Coil With Tank Assy
9	204-0204001-07	12	S.T. Screw 1/4-20 X 1/2
10	216-1000092-01	2	Fttg- Nipple 1/2id X 2
11	111-0105975-08	1	Hose Assy- Pump To Coil
12	216-0105029-01	2	Fttg- 1/2mpt X 3/8mjic
13	216-0402003-01	2	Fttg- Female Tee 1/2
14	235-0400006-01	1	Pressure Valve Relief
15	111-0220100-06	1	Hose Assy- Coil To Ball Valve
16	218-2600001-01	1	Thermocoupler- 10k Psi
17	310-1602002-01	1	Coil Exhaust With Hood
18	111-0300001-01	1	Cleaning Gun Sub-Assy
19	274-0200002-01	1	Cleaning Gun Assy- 3/8
[]	116-4500009-01	1	Cleaning Wand Repair Kit
20	216-0102027-04	1	Fttg- 1/4fpt X 1/4fpt
21	230-0200013-01	1	Nozzle 1/4 Meg 1507
22	216-0106004-02	1	Fttg- 22mm-1.5 F Sw X 3/8fpt
[]	228-0102008-01	1	Oring- Swivel Fttg 10/Pk
23	216-0106005-02	1	Fttg- 22mm-1.5 Male X 3/8mpt
24	111-0509600-06	1	Hose Assy- Valve To Dump Gun
25	407-0401030-06	1	Hose-Cut- Unloader - Wtr Tank
26	204-1005005-01	4	Hose Clamp No.6
27	216-0101006-04	2	Fttg- 3/8 Barb X 1/4 Mpt Br
28	216-0202004-01	1	Fttg- 90 1/4mpt X 1/4fpt
29	216-0102014-04	2	Fttg- 1/2mpt X 1/4fpt Bushing
30	216-0102095-02	1	Fttg-1/4fpt X 1/8mpt W/ Orifice
31	235-0100009-01	1	Ball Valve- 2-Way 1/2
[]	116-4506005-01	1	Ball Valve Repair Kit
[]	240-0600003-01	1	Handle- Ball Valve
32	216-0205020-01	8	Fttg- 90 1/2mpt X 3/8mjic
33	111-0303600-06	2	Hose Assy-Valve To Valve
34	217-0102009-01	1	Pressure Gauge 1/4mpt 10k
35	216-0402021-01	1	Fttg- Male Run Tee 1/2
36	235-0100004-01	2	Ball Valve- 3-Way 1/2
[]	116-4506005-01	1	Ball Valve Repair Kit
37	216-0202051-01	1	Fttg- 90 1/2mpt X 3/8mpt
38	117-0000001-02	1	Unloader Assembly
39	216-0402024-01	1	Fttg- Male Run Tee 1/4
40	216-0201016-04	1	Fttg-90 1/4mpt X 3/8barb Br
41	407-0401073-06	1	Hose-Cut- Unloader - Wtr Tank
42	216-0402019-01	1	Fttg- Male Branch Tee 1/2
43	111-0403800-06	1	Hose Assy- Valve To R. Union
44	111-0603600-06	1	Hose Assy- Viv To Curb Cleaner

[] = Not Shown



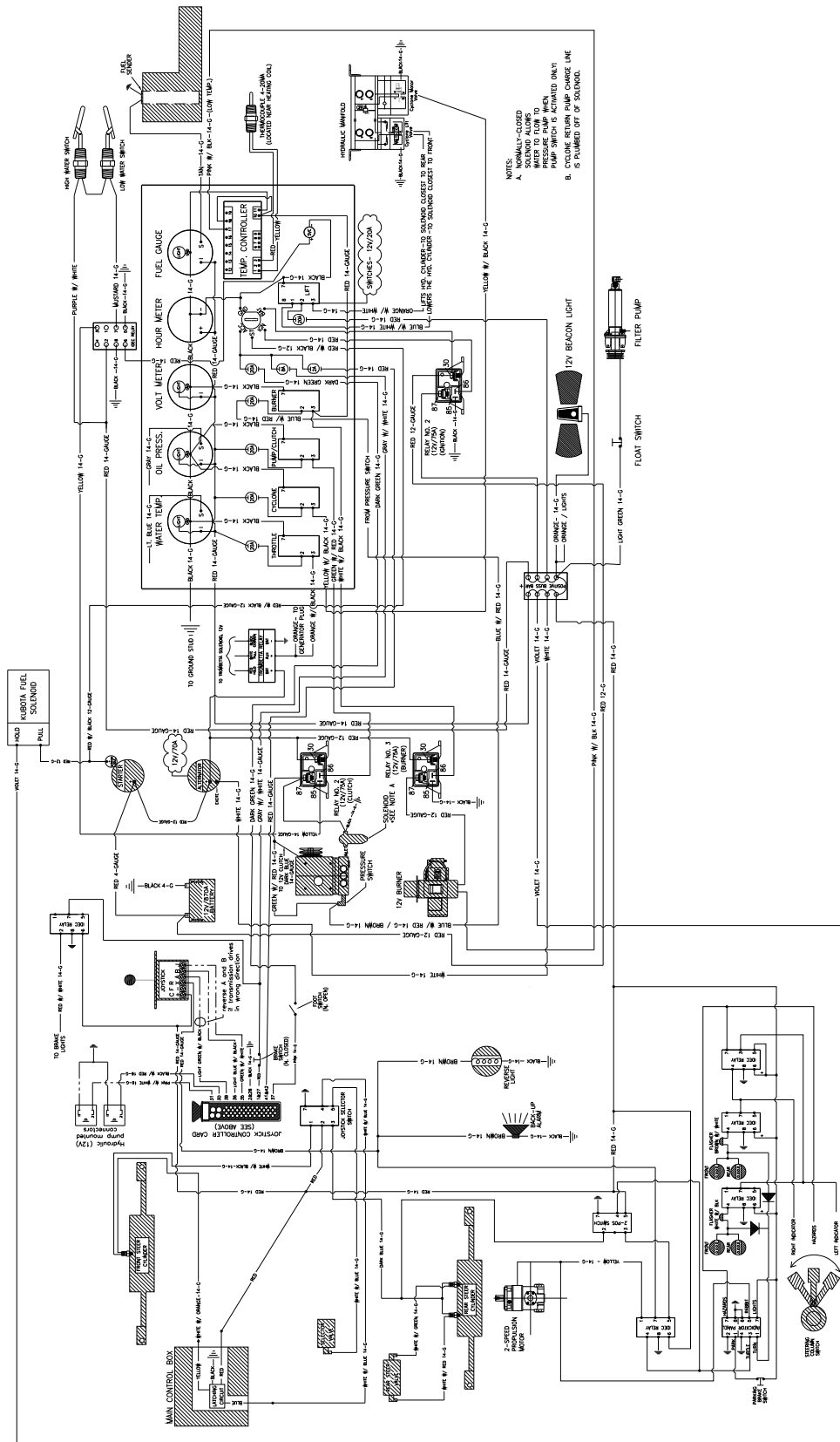
NOTES:

- A - TWO ADDITIONAL, NOT SHOWN
- B - FOUR ADDITIONAL, NOT SHOWN
- C - SEE DRAIN SYSTEM SUB-ASSY. FOR DETAILS SEE; DWG NO. 105-45002-01
- D - ITEMS 1-6, SEE INDIVIDUAL SUB-ASSY. DRAWINGS
- E - ONE ADDITIONAL, NOT SHOWN FOR CLARITY PURPOSES
- F - LOCATED IN WATER TANK #2
- G - SHOWN TWICE FOR CLARITY PURPOSES
- H - ITEMS #30-#32: LOCATED IN RECLAIM TANK #1
- I - ITEMS #23-#29 & #33: LOCATED IN RECLAIM TANK #3, UNLESS OTHERWISE NOTED

Item	Ref. No.	Qty	Description
1	112-0700001-01	1	Water Fill Sub-Assy
2	304-0901010-01	1	Plate Fill Valve Mount
3	216-0139001-04	1	Fttg- 1/2mpt X 5/8 Hose Thread
4	216-0102108-04	1	Fttg- 1/2fpt X 1-1/2l Bkhd
5	216-0101013-04	2	Fttg- 1/2mpt X 1/2barb
6	216-0201012-05	2	Fttg- 90 1/2mpt X 1/2barb
7	235-0900005-01	1	Fill Valve- 2-Way
8	407-0401028-08	1	Hose- Fill Plate- Fill Valve
9	407-0401047-08	1	Hose-Fill Vlv- Reclm Tank No1
10	407-0401051-08	1	Hose-Fill Vlv- Wtr Tank No1
11	407-0501164-16	1	Hose- Cyc Return- Tank
12	204-1005009-01	16	Hose Clamp- 16
13	216-0201006-05	8	Fttg- 90 1mpt X 1barb
14	218-1901008-01	1	Strain Relief- 90 1/2 Nyl
15	216-0102084-05	1	Fttg- 1/2fpt X 2mpt Bush
16	216-0101022-05	3	Fttg- 1-1/2mpt X 1-1/2barb
17	216-0102015-01	1	Fttg- 1/2mpt X 3/8fpt Bush
18	216-0201014-04	1	Fttg- 90 3/8mpt X 3/8barb
19	204-1005007-01	16	Hose Clamp- 10
20	407-0401073-06	1	Hose- Unloader- Water Tank
21	216-0601002-05	4	Fttg- Br Tee 1/2barb X 1/2mpt
22	230-0800001-05	6	Fill&Rinse Nozzle 1/8 X 1/2mpt
23	216-0201019-05	1	Fttg-90 1/2mpt X 1/4barb
24	407-0401084-04	1	Hose- R. Union- Water Tank
25	204-1005005-01	2	Hose Clamp- 6
26	216-0201009-05	4	Fttg-90 2mpt X 2barb
27	204-1005012-01	4	Hose Clamp- 32
28	407-0701028-32	2	Hose- Reclm Tank Down Tubes
29	216-1000114-05	1	Fttg- 2id X Close Npl
30	216-0102088-05	1	Fttg- 2fpt X 2fpt Coup
31	407-0401016-08	3	Hose- Tank Connecting
32	407-0401038-08	1	Hose-Wtr Tank 1- Wtr Tank 2
33	407-0501083-16	1	Hose- Fltr Hsg- F Water Tank
34	216-1000110-05	3	Fttg- 1id X 12l Npl
35	216-0102085-05	2	Fttg- 1fpt X 1fpt Cplg
36	216-0202048-05	2	Fttg- Tee 1fpt
37	215-0902002-01	2	Fltr Pump Suction Screen
38	216-0402027-05	1	Ftt- 90 1fpt X 1fpt
39	216-1000119-05	3	Fttg- 1mpt Close Npl
40	218-1017001-01	1	Float Switch With Cable
41	259-0102001-01	1	Catalyst Basket- Wtr Tank
42	112-0800001-01	1	Fltr Pump Inlet Sub-Assy
43	226-0300009-01	1	Filter Pump
44	226-0300023-01	1	Pump Pedestal
45	204-0704004-07	4	Lock Nut- 3/8-16 Nyl
46	204-0603006-07	8	Flat Washer 3/8 Sae
47	204-0101030-07	4	Bolt- 3/8-16 X 1-1/2 Cs G8
48	269-0100007-01	1	2-Grv Clutch 12v
49	304-0401029-01	1	Plate-Fltr Pump Cltch Mntg
50	204-0101003-07	4	Bolt- 1/4-20 X 3/4 Cs G8
51	204-0603002-07	4	Flat Washer- 1/4 Sae
52	204-0604001-07	4	Lock Washer- 1/4
53	216-0202016-04	1	Fttg- 90 3/4mpt X 3/4fpt
54	216-0101010-04	2	Fttg- 3/4mpt X 1barb
55	407-0501049-16	1	Hose- Fltr Pump- Fltr Hsg
56	407-0501036-16	1	Hose- Rclm Tank 3- Fltr Pump
57	216-0101014-05	1	Fttg- 1mpt X 1barb
58	216-0102084-11	2	Fttg- 2mpt X 1/2fpt Bush
59	218-2500006-02	1	Switch- Liquid Level
[]	112-0600002-01	1	Wtr & Rclm Tank Sub-Assy
[]	231-9900002-10		Tank Lid
60	112-0601004-01	1	Fr Water Tank 1 Sub-Assy
61	407-0501058-16	1	Hose-Prss Pmp Inlet-Wtr Tank 1
62	112-0602004-01	1	Rclm Tank 1 Sub-Assy
63	112-0602005-01	1	Rclm Tank 2 Sub-Assy
64	407-0701030-16	2	Hose- Fr Wtr Tank Equalizer
65	112-0602006-01	1	Rclm Tank 2 Sub-Assy
[]	216-0102084-11	1	Fttg- 2mpt X 1/2fpt Bush
[]	218-2500006-02	1	Switch Liquid Level
66	112-0601005-01	1	Fr Water Tank 2 Sub-Assy
[]	216-0102084-11	2	Fttg- 2mpt X 1/2fpt Bush
67	216-0601001-05	2	Fttg-Br Tee 1barb X 1mpt
68	112-0601006-01	1	Fr Water Tank 3 Sub-Assy
69	407-0701012-16	2	Hose- Fr Wtr Tank Equalizer

[] = Not Shown

Nilfisk Cyclone





Nilfisk
setting standards

Nilfisk-Advance A/S
Sognevej 25
DK-2605 Brøndby
Denmark
Tel: +45 43 23 81 00
Fax: +45 43 43 77 00
www.nilfisk-advance.com