



## Electronic Service Manuals

This electronic document is provided as a service to our customers. We do not create the contents of the information contained in this document. Should you have detailed questions pertaining to the information contained in this document, you may contact Michco, or the manufacturer which provided the original information in this electronic deliverable. Michco's only part in this electronic deliverable was the electronic assembly process. By providing this manual on line we are not guaranteeing parts availability.

You may contact Michco through the following methods:

Phone (517) 484-9312 or (800) 331-3339

2011 N. High St. -- Lansing, Michigan -- 48906

Fax: (517) 484-9836

Email: [CustServe@Michco.com](mailto:CustServe@Michco.com)

Web site: [www.Michco.Com](http://www.Michco.Com)

Parts Web site: [www.FloorMachineParts.Com](http://www.FloorMachineParts.Com)

Order Parts on Line at:

**[www.FloorMachineParts.Com](http://www.FloorMachineParts.Com)**

Directly to Parts & Service:

By Email: **[Shop@Michco.com](mailto:Shop@Michco.com)**

By Fax: (517) 702-2041

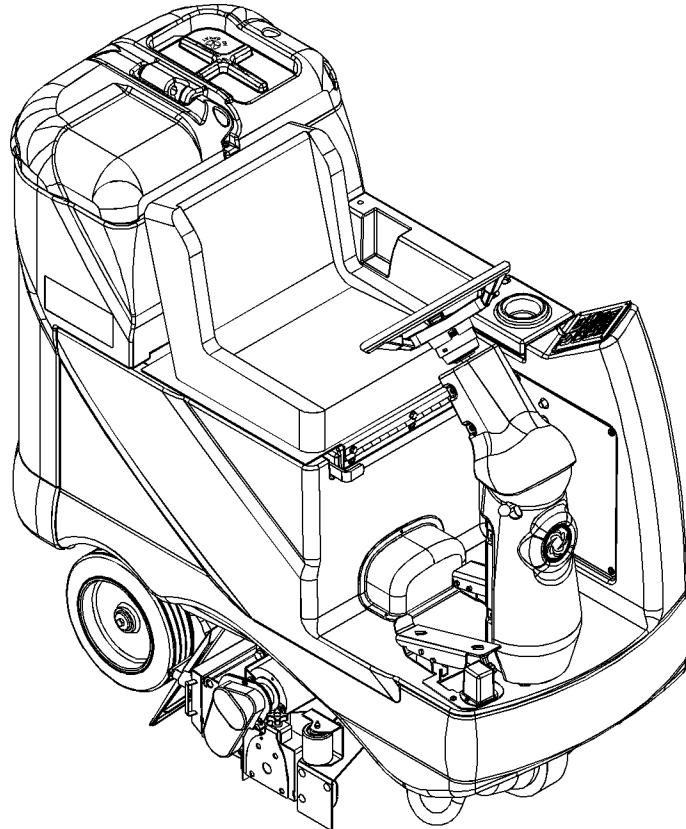
By Voice: Use numbers above.

**Serving the Cleaning Industry Since 1922**

Notice: All copyrighted material remains property of original owners, all trademarks are property of respective owners. Manuals are subject to Manufacturer's reproduction limitations. Originals or reproductions were provided by manufacturers through a request. We make no warranty as to the correctness of information provided in this document and you assume all risk. By placing these manuals on line we are not declaring our corporation to be an manufacturer authorized dealer or provider, please check our web site for authorized manufacturers we represent.

# AquaRide™, AquaRide™ AXP

---



---

## PARTS LIST

Advance MODELS 56314009, 56316515(AXP™)



**Advance**

# OPTIONAL KITS AND ACCESSORIES

Item	Ref. No.	Qty	Description
<b>Kits</b>			
*	56314753	A/R	Kit, On-Board Charger TSBUS2004-872 / TSBUS2008-984 / TSBUS2009-1027
*	56314301	A/R	Kit, Seat Armrests
*	56314302	A/R	Kit, Warning Beacon
*	56314306	A/R	Kit, Right Side Broom
*	56314307	A/R	Kit, Scrub-N-Vac Tool Caddy (standard models only)
*	56314308	A/R	Kit, Scrub-N-Vac Tool (AXP models only)
*	56314312	A/R	Kit, Seatbelt
*	56314313	A/R	Kit, Headlight
*	56314981	A/R	Kit, Battery Watering
*	56316251	A/R	Kit, On-Board Charger AGM TSBUS2008-984 / TSBUS2009-1027

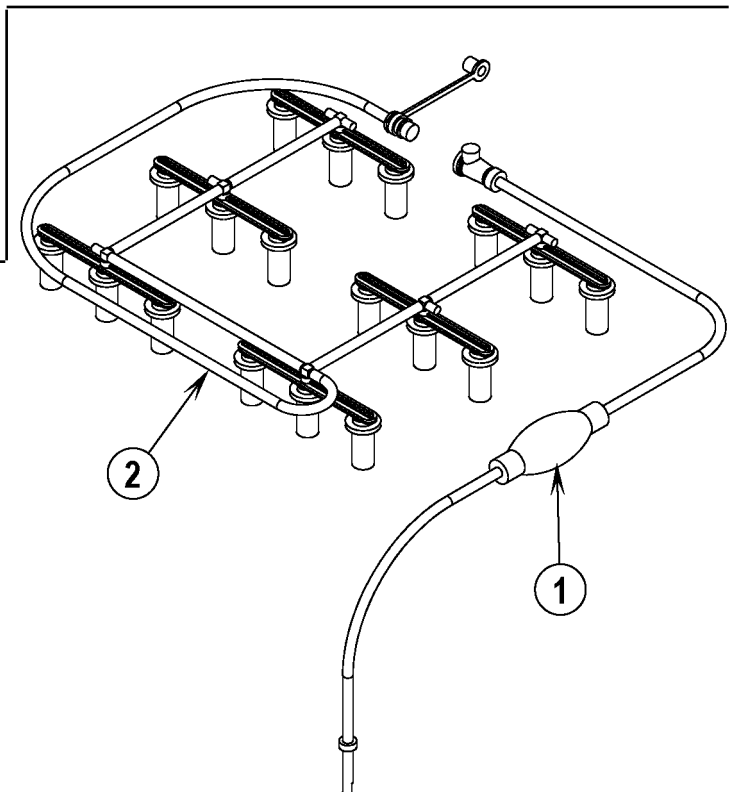
**NOTE:** Replacement parts for the kits listed above can be found on each kit's associated instruction sheet.

<b>Accessories</b>			
*	56409441	A/R	Programmer, 1311 User
*	56409823	A/R	Programmer Cable
*	56397453	A/R	Battery Fill Indicator
*#			<b>DELETED</b>
<b>Optional Batteries</b>			
*	56391391	6	Battery, 6V, 305A/H TSBUS2008-984
*	56206079	6	Battery, 6V, 235A/H TSBUS2008-984
*	56315959	6	Battery, 6V, 315 A/H AGM TSBUS2008-984
<b>Optional Battery Chargers</b>			
*	56395101	A/R	Battery Charger, 36VDC, Auto, 20Amp, 120VAC/60HZ
*	56388502	A/R	Battery Charger, 36VDC, Auto, 25Amp, 120VAC/60HZ
*	56388120	A/R	Battery Charger, 36VDC, Auto, 36Amp, 120VAC/60HZ
*	56372190	A/R	Battery Charger, 36VDC, 20Amp, 230VAC/50HZ
*	56388119	A/R	Battery Charger, 36VDC, 36Amp, 230VAC/50HZ

<b>Replacement Parts</b>			
<b>Vacuum</b>			
[ ]	56212223	1	Carbon Brush set of 2
<b>Brush Drive</b>			
[ ]	56407492	1	Brush Cap Assembly
[ ]	56407493	4	Brush Assembly
[ ]	56407494	4	Brush Cover Cap
<b>Wheel Drive</b>			
[ ]	56412320	1	Carbon Brush Cover Kit (contains 4 seal rings & 4 brush covers)
[ ]	56412321	1	Sealing Ring
[ ]	56412322	1	Bearing, Ball, Gearbox Side
[ ]	56412323	1	Bearing, Ball, Brush Side
[ ]	56412325	1	Carbon Brush Kit
[ ]	56412339	1	Drive Wheel
[ ]	56314289	1	Brake Band
[ ]	56314282	1	Brake Bar
<b>Solution</b>			
[ ]	56314147	1	Inline Strainer
[ ]	56314576	1	Maintenance Spray Nozzle #3
[ ]	56314577	1	Restoration Spray Nozzle #7.5

# = Revised or new since last update  
 [ ] = Not Shown  
 \* = Optional, Not Included

Item	Ref. No.	Qty	Description
	56314974	1	Battery Watering System (Standard AXP Models)
1	56314978	1	Pump
2	56314979	1	Manifold Assy

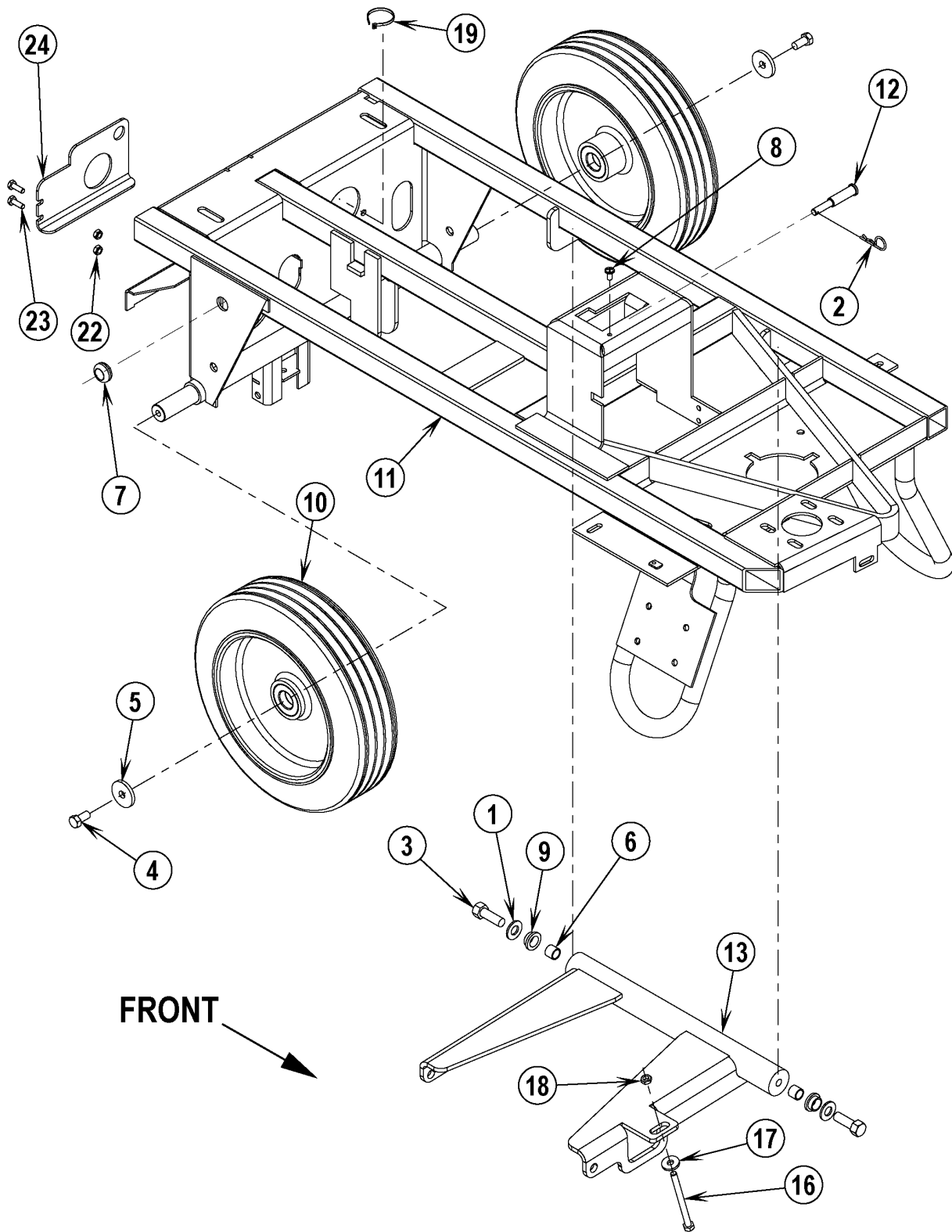


DESCRIPTION	PAGE
Chassis .....	2-3
Decal System .....	4-5
Detergent Injection System (AXP) .....	6-7
Drive & Brake Pedal Assemblies.....	8-9
Drive Wheel.....	10-11
Electrical Panel Assembly .....	12-13
Extract / Sweep System .....	14-15
Recovery System .....	16-17
Solution Pump Assembly .....	18-19
Solution Tank Assembly (standard) .....	20-21
Solution Tank Assembly (AXP).....	22-23
Steering Column Assembly .....	24-25
Wiring Diagram before SN Chart .....	26-27
Wiring Diagram after SN Chart .....	28-29

#### WHEN ORDERING PARTS

- \* Use the numbers from the "Ref. No." columns in this parts list.
- \* Specify the model and serial number of the machine.
- \* Use the space below to record the model and serial number for future reference.

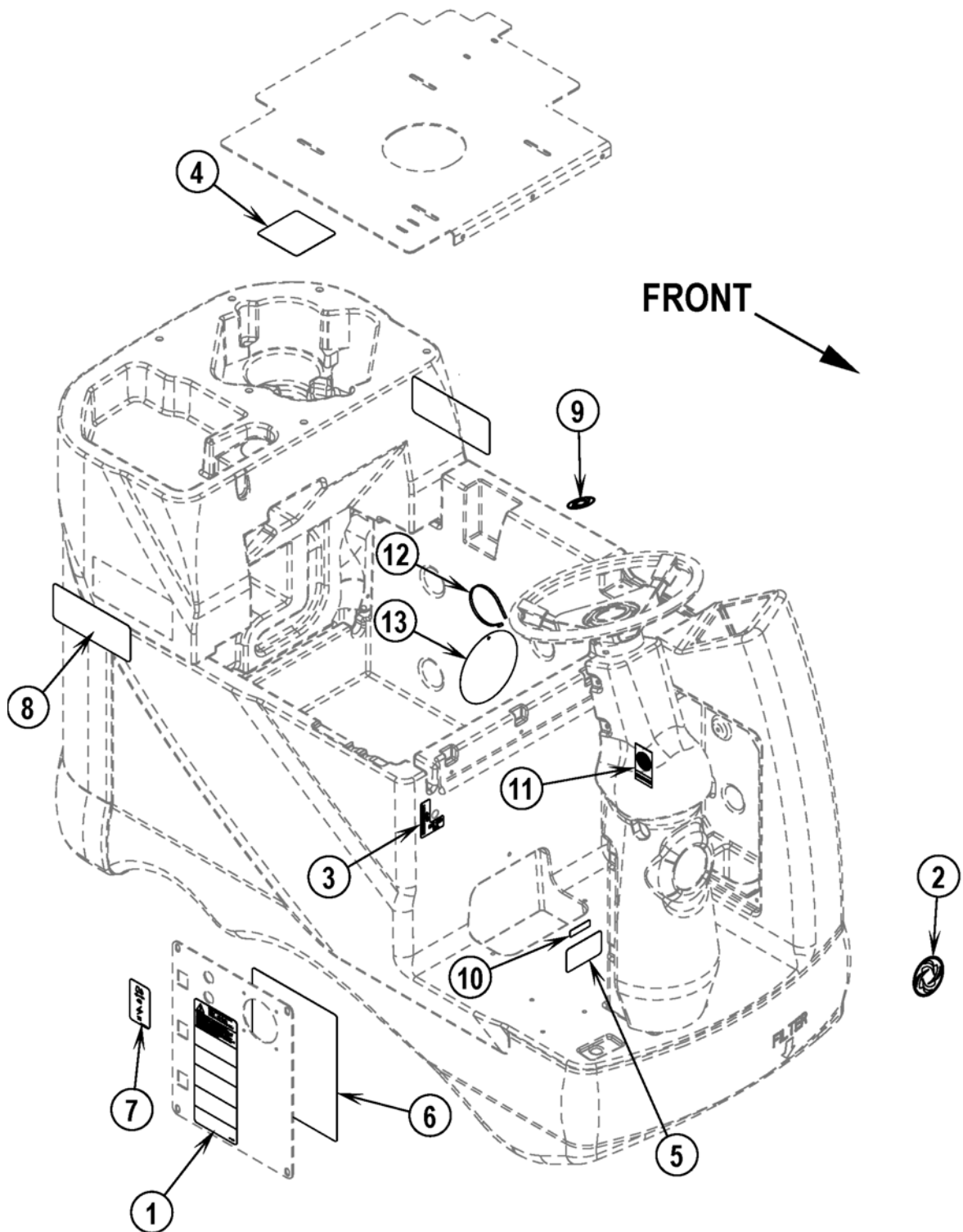
Model \_\_\_\_\_ Serial No. \_\_\_\_\_



Item	Ref. No.	Qty	Description	
	1	56001879	2	Wsh, Flt SAE 1/2
	2	56002959	1	Pin, Cotter Hair
	3	56003412	2	Scr, Hex Nyl Loc M12-1.25 x 35mm
	4	56003442	2	Scr, Hex Nyl Loc M10-1.50 x 20mm
	5	56367117	2	Wsh, Flt .406 x 1.50 x .1875
	6	56367206	2	Bushing
	7	56052338	1	Grommet
	8	56009062	1	Scr, Pan Phil Thd Form 1/4-20 x .50
	9	56420160	2	Bearing, Flange
10#	56601482	2	Assembly, Wheel and Bearing (each assembly includes 2 bearings)	
#	56111531	4	Bearing, Ball	
	11	56314092	1	Weldment, Chassis
	12	56314152	1	Pin, Actuator
	13	56314495	1	Linkage, Arm Weldment
	16	56002461	1	Scr, Hex Thd To Hd 5/16-18 x 4.00
	17	56009122	1	Wsh, Flt .344 x .938 x .125
	18	56009086	1	Nut, Hex Jam 5/16-18
	19	56478246	1	Tie, Cable
	22	56002840	2	Nut, Hex Nyl Loc-Thin 1/4-20
	23	56002155	2	Scr, Hex Hd 1/4-20 x .75
	24	56314204	1	Bracket, Accessory
	[ ]	56478246	5	Tie, Cable
	[ ]	56477613	9	Tie, Cable

# = Revised or new since last update

[ ] = Not Shown



03-2

## DECAL SYSTEM

08-11

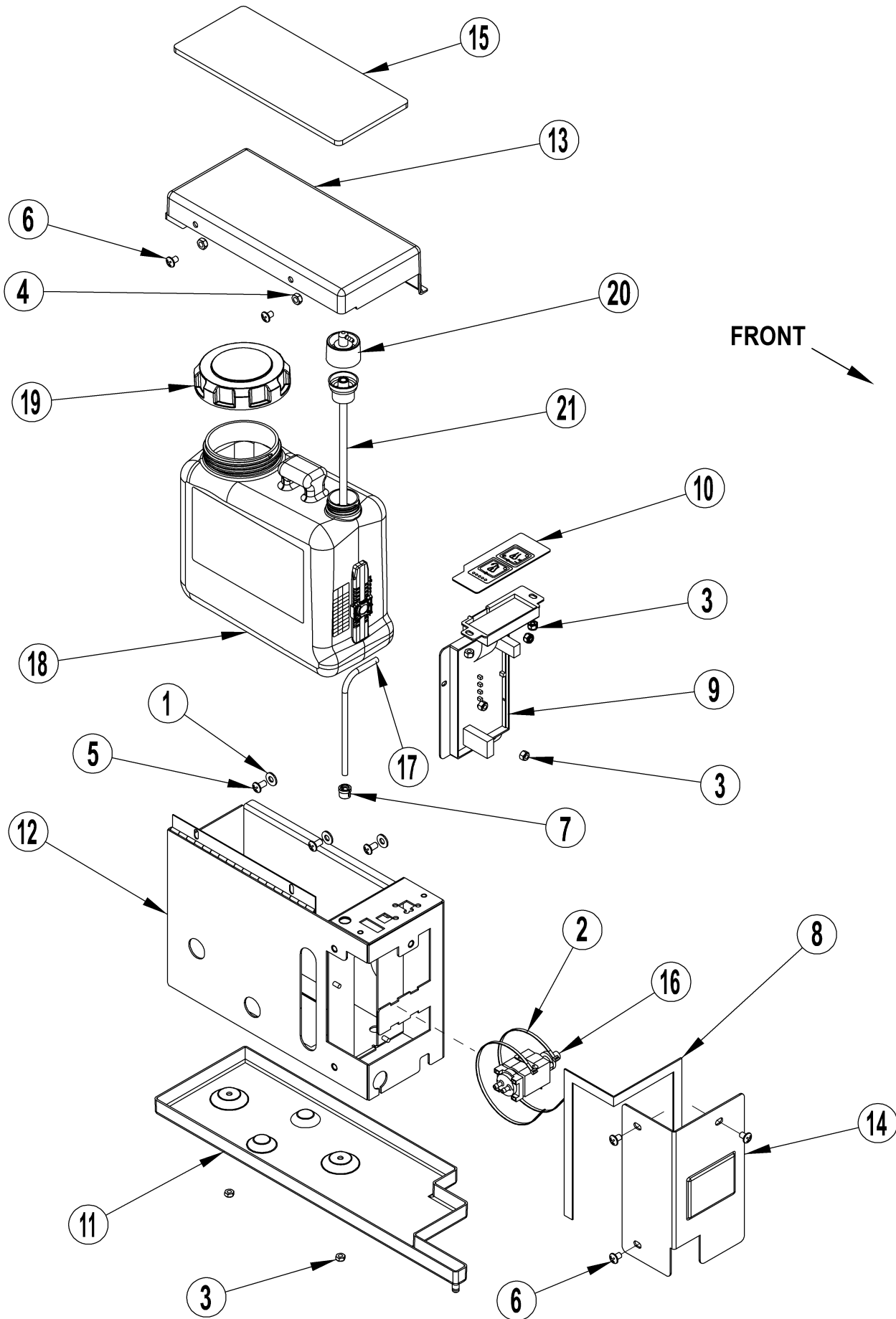
AquaRide™, AquaRide™ AXP

5

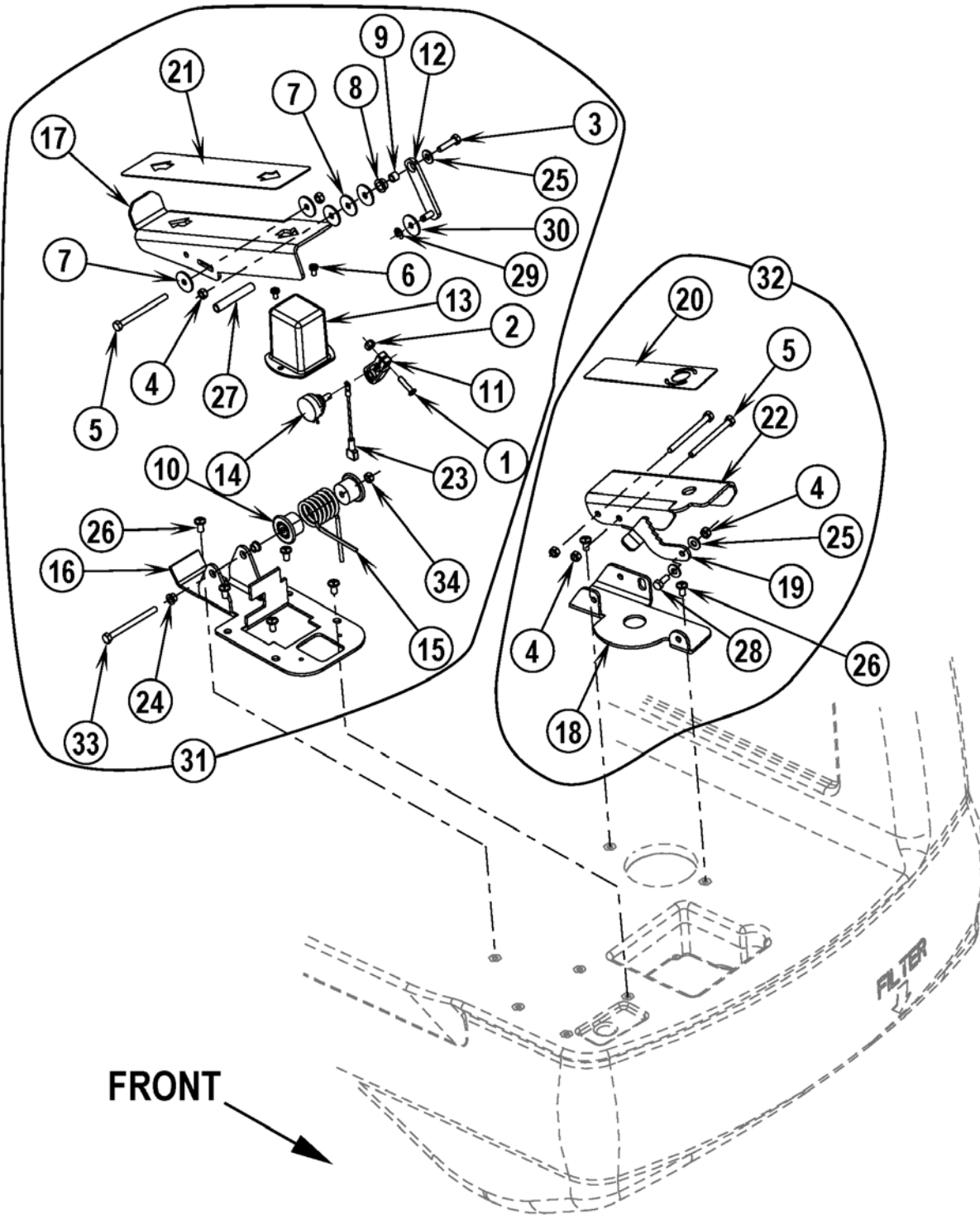
Item	Ref. No.	Qty	Description
1	56014601	1	Decal, Caution
2	56015276	1	Decal, Logo
3	56015179	1	Decal, Emergency
4	56015168	1	Decal, Battery Wiring
5	56016401	1	Decal, Parking Brake
6	56016668	1	Decal, Ladder Diagram <b>NOTE 1</b>
	56016747	1	Decal, Ladder Diagram <b>NOTE 2</b>
7	56016403	1	Decal, Circuit Breaker
8	56016669	2	Decal, AquaRide
	56016639	2	Decal, AquaRide AXP
9	56015281	1	Decal, Logo 2 Inch
10	56014450	1	Decal, Patent Number
11	56317151	1	Decal, CRI Bronze
12	56478523	1	Tie, Cable
13	56040958	1	Tag, CRI

**NOTE 1:** Used before SN 1837636.

**NOTE 2:** Used after SN 1837636.

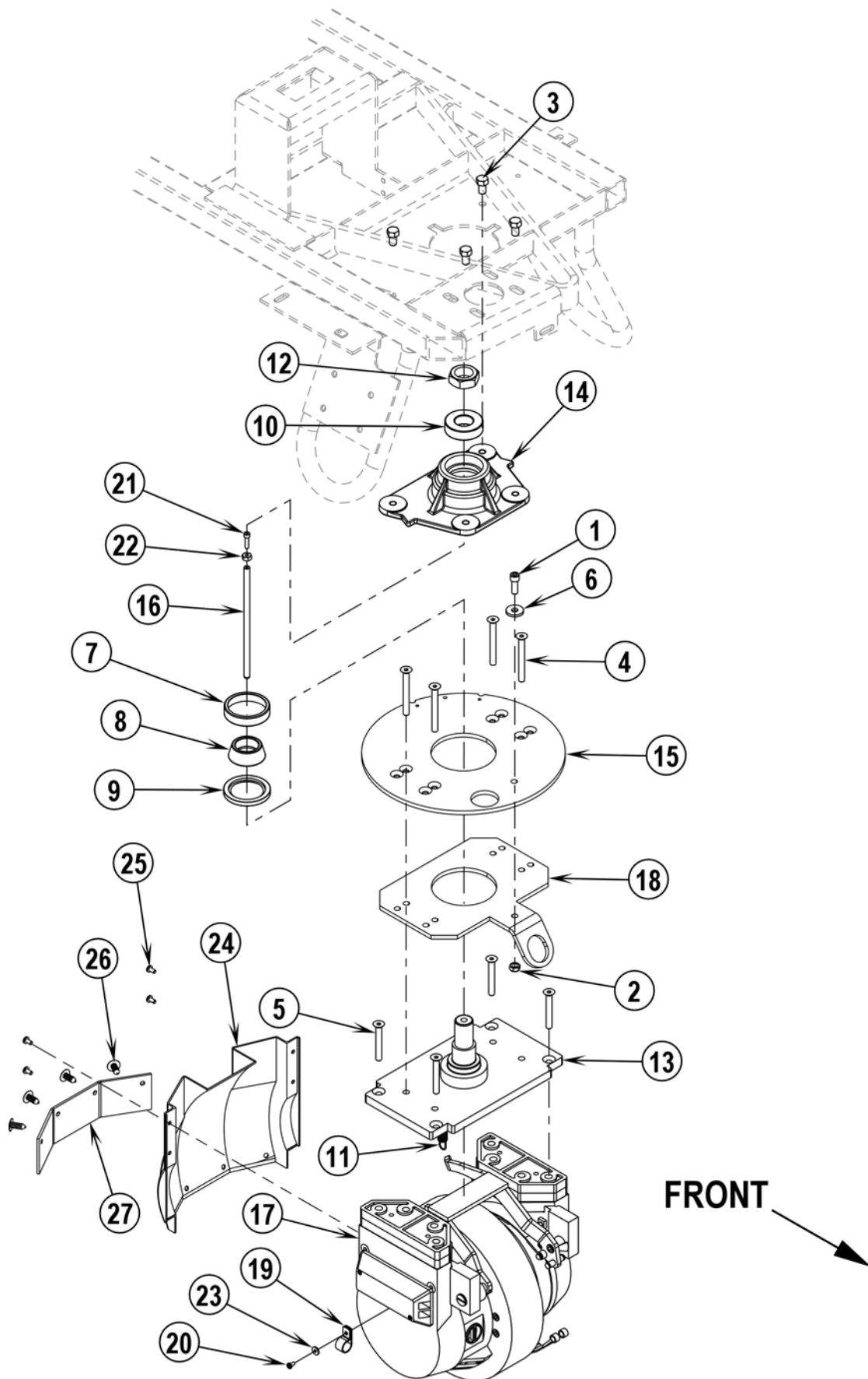


Item	Ref. No.	Qty	Description
	56316538	1	Detergent Injection Assembly (items 1-21) TSBUS2006-922
1	56009025	3	Wsh, Flt .266 x .750 x .036
2	56478523	2	Tie, Cable
3	56002832	8	Nut, Hex Nyl Loc-Thin 10-24
4	56002840	2	Nut, Hex Nyl Loc-Thin 1/4-20
5	56002145	3	Scr, Pan Phil 1/4-20 x .50
6	56003580	5	Scr, Pan Phil SS 1/4-20 x .38
7	56003699	1	Bushing, 1/4 ID Snub
8	56200754	1	Gasket, Strip
9	56316110	1	Control Assembly TSBUS2006-922 / TSBUS2007-953
10	56314938	1	Control Decal
11	56314939	1	Tray, Detergent
12	56314944	1	Weldment, Detergent Box
13	56314945	1	Cover, Detergent
14	56314946	1	Cover, Pump
15	56314953	1	Pad, Detergent
16	56314984	1	Pump, Detergent
17	56314991	1	Hose, Chem Resistant 14"
18	56315502	1	Chemical Bottle Assy.
	56315511	1	Indicator Assy
*	56315503	A/R	Chem Bottle Assy (18,19,21)
19	56315517	1	Cap, Raw
20	56315523	1	Cap, Dry Break, 1/8 Barb, 90°
21	56315527	1	Insert, Dry Break



Item	Ref. No.	Qty	Description
1	56002733	1	Scr, Pan Phil 10-24 x .88
2	56002768	1	Nut, Hex Nyl Loc 10-24
3	56003358	1	Scr, Hex M6-1.00 x 25mm
4	56003403	5	Nut, Hex Nyl Loc M6-1.00
5	56003428	3	Scr, Hex M6-1.00 x 75mm
6	56009030	2	Scr, Pan Phil Thd Form 10-24 x .38
7	56009060	5	Wsh, Flt SS .260 x 1.000 x .074
8	56324505	1	Bearing, Flange
9	56380440	1	Bushing, M6 x .375 x .295
10	56380438	2	Spacer, Spring
11	56409471	1	Lever, Throttle
12	56409610	1	Link Weldment
13	56412094	1	Housing, Potentiometer
14	56454740	1	Potentiometer, 5K (R1)
15	56314037	1	Spring, Torsion
16	NA	1	Bracket, Foot Pedal NOTE 1
17	NA	1	Foot Pedal NOTE 1
18	56314677	1	Bracket, Brake TSBUS2008-1015
19	56314122	1	Lock, Brake
20	56314138	1	Mat, Pedal
21	56314176	1	Mat, Pedal
22	56314678	1	Pedal Weldment TSBUS2008-1015
23	56412331	1	Wire Assy.
24	56756318	2	Bearing, Flange
25	56002098	4	Wsh, Flt SAE 1/4
26	56003119	7	Scr, Pan Phil SS 1/4-20 x .50
27	56380439	1	Bushing
28	56003174	1	Scr, Hex Thd to Hd M6-1.0 x 16mm
29	56003268	1	Ring, Ret Ext Type E Reinf. 0.25 Dia
30	56009025	1	Wsh, Flt .266 x .750 x .036
31	56413421	1	Pedal Assy
32	56314676	1	Brake Pedal Assy TSBUS2008-1015
33	56002603	1	Scr-Hex 1/4-20 x 3.00
34	56002708	1	Nut-Hex Nyl Loc 1/4-20

NOTE 1: If you need to replace either of these items please order Pedal Assembly 56413421.



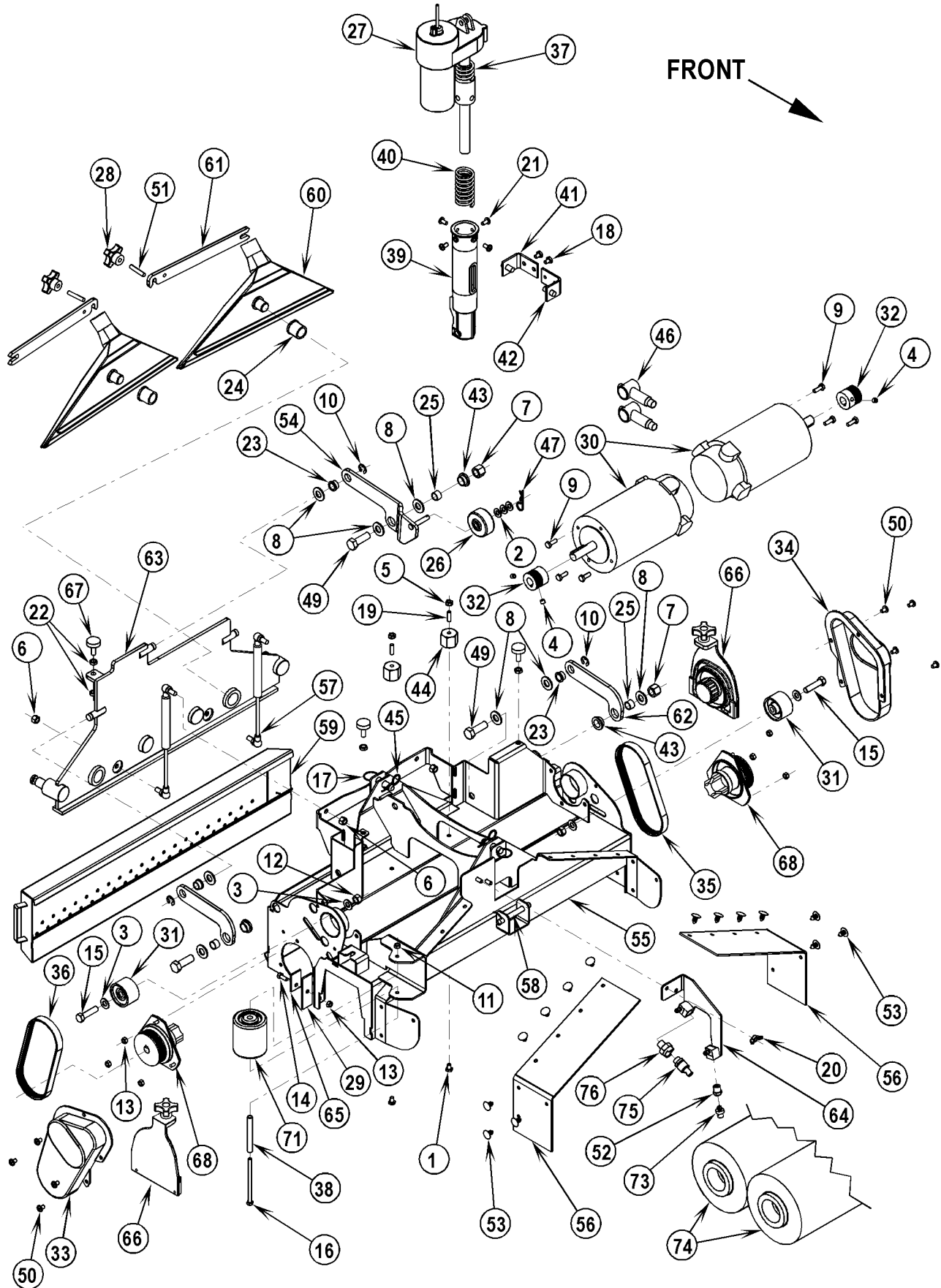
Item	Ref. No.	Qty	Description
1	56002158	1	Scr, Soc Hd 5/16-18 x .88
2	56002826	1	Nut, Hex Nyl Loc-Thin 5/16-18
3	56003040	4	Scr, Hex Hd Loc 3/8-16 x .62
4	56003273	4	Scr, Soc Hd M8-1.25 x 70mm
5	56003274	4	Scr, Soc Hd M8-1.25 x 55mm
6	56009122	1	Wsh, Flt .344 x .938 x .125
7	56158143	1	Bearing Cup
8	56158151	1	Bearing Cone
9	56171081	1	Seal, Shaft
10	56378380	1	Bearing, Ball
11	56481699	1	Spring
12	56003220	1	Nut, Hex Nyl Loc-Thin 1-14 UNF
13	56314085	1	Spindle Weldment TSBUS2006-913
14	56314032	1	Block, Bearing
15	56314116	1	Plate, Steering
16	56314157	1	Rod, Brake
17	56314602	1	Motor / Drive Wheel Assy (M3) TSBUS2004-863 / TSBUS2004-869 / TSBUS2008-1015
[ ]	56380507	1	Motor/Drive Wheel Kit TSBUS2008-1015
[ ]	56314920	1	Drive Wheel Harness Kit TSBUS2004-869
[ ]	56314282	1	Brake Bar
[ ]	56314289	1	Brake Band TSBUS2008-1015
[ ]	56412320	1	Carbon Brush Cover Kit (contains 4 seal rings & 4 brush covers)
[ ]	56412321	1	Sealing Ring
[ ]	56412322	1	Bearing Ball, Gearbox Side
[ ]	56412323	1	Bearing Ball, Brush Side
[ ]	56412325	1	Carbon Brush Kit
[ ]	56412339	1	Drive Wheel
18	56314278	1	Plate, Splash Guard TSBUS2004-871
	56314924	1	Plate, Tie Down TSBUS2004-871
19	56305317	1	Clamp, P
20	56003653	1	Scr, Pan Phil M4 x 8
21	56003611	1	Scr-Pan Phil SS SS 10-24 x .88
22	56009293	1	Nut, Hex Machine SS 10-24
23	56002006	1	Wsh, Flt SAE #6
24	56314921	1	Shield, Drive Motor TSBUS2004-871
25	56009030	4	Scr, Pan Phil Thd Form 10-24 x .38 TSBUS2004-871
26	56003263	4	Rivet, Nylon Tree Push-In (.25) TSBUS2004-871
27	56314923	1	Splash Guard TSBUS2004-871

[ ] = Not Shown



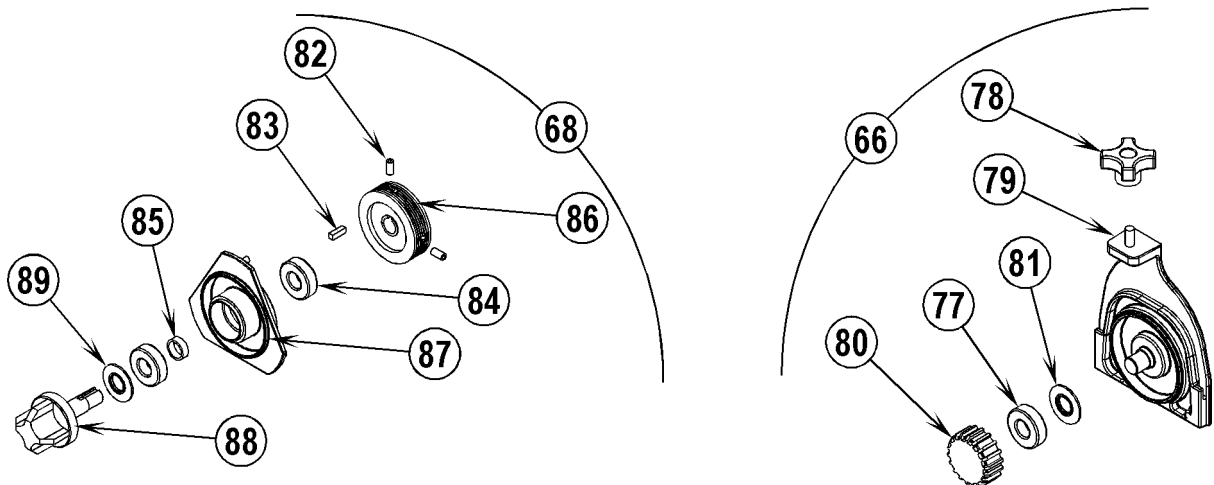
Item	Ref. No.	Qty	Description
1	56002192	2	Scr, Pan Phil 10-24 x .75
2	56003119	6	Scr, Pan Phil SS 1/4-20 x .50
3	56002462	7	Scr, Pan Phil 1/4-20 x .38
4	56002561	3	Nut, Hex W/SHPRF 1/4-20
5	56009020	3	Stud
6	56002098	6	Wsh, Flt SAE 1/4
7	56387316	1	Circuit Breaker, 10 Amp (Control Circuit / F3)
8	56395455	1	Contacto (Brush Drive / K1)
9	56407193	1	Gasket
10	56412089	1	Fuse, 150 Amp (F1)
11	56412177	1	Horn / Backup Alarm (H1)
12	56459367	1	Boot, Reset Button
13	56459369	1	Boot, Reset Button
14	56469858	3	Standoff, Insulated
15	56109535	1	Cover, Electrical TSBUS2004-855
16	56314597	1	Controller (A1) TSBUS2004-863
17	56314068	1	Electrical Panel
18	56364294	1	Circuit Breaker, 45 Amp (Wheel Drive / F2)
20#	56395453	1	Contacto (Vacuum System / K2) TSBUS2008-1020
21	56009051	1	Scr, Pan Phil Thd Form 8-32 x .38
22	56314590	1	Cover, Fan TSBUS2004-855
23	56314594	1	Gasket TSBUS2004-855
24	56314700	1	Fan Assy TSBUS2004-855
25	56314595	1	Board Holder TSBUS2004-855
26	56003199	3	Scr, Pan Phil Plastite 8-15 x 1.50 TSBUS2004-855
27	56003635	1	Scr, Pan Phil Plastite 8-15 x 1.75 TSBUS2004-855
28	56314956	1	Weldment, Harness Guide (AXP models only)

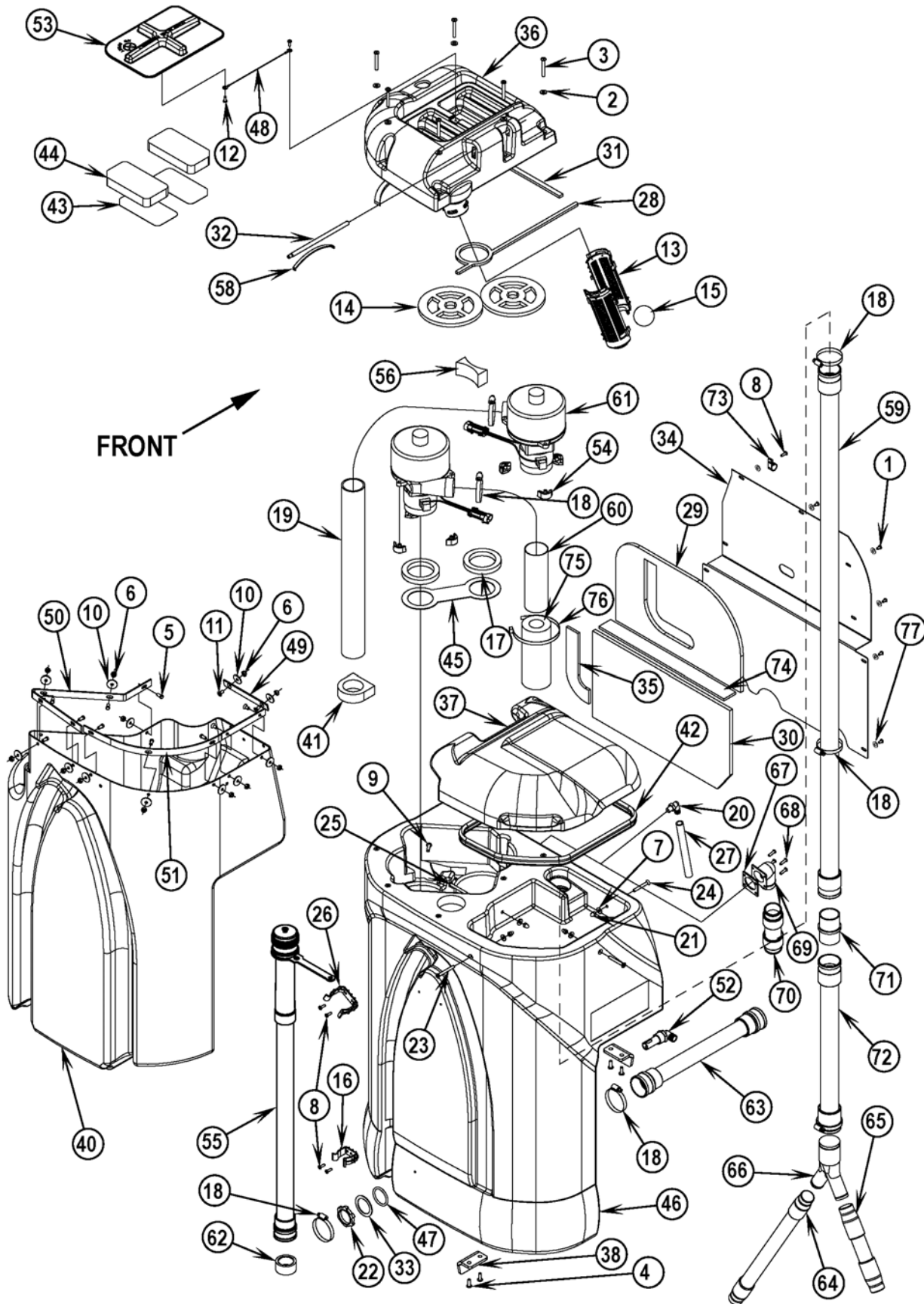
# = Revised or new since last update



Item	Ref. No.	Qty	Description	Item	Ref. No.	Qty	Description
1	56001861	2	Scr,Hex Hd 1/4-20 x .38	43	56420160	3	Bearing, Flange
2	56001939	3	Wsh, Flt SAE 5/16	44	56469858	2	Standoff, Insulated
3	56002063	4	Wsh, Flt SAE 3/8	45	56003671	2	Pin, Ring .50 x 1.25
4	56002086	4	Scr, Soc Set Loc 5/16-18 x .25	46	56493357	2	Insulator, Terminal
5	56002561	2	Nut, Hex W/ Shprf 1/4-20	47	56003120	1	Pin, Cotter Hair .0915 x .375
6	56002701	4	Nut, Hex Nyl Loc 5/16-18	49	56003495	3	Scr, Hex Hd Ss 1/2-13 x 1.50
7	56002846	3	Nut, Hex Nyl Loc SS 1/2-13	50	56003603	8	Scr, Pan Phil Thd Form 1/4-20 x .38
8	56002918	9	Wsh, Flt SAE SS 1/2	51	56003665	2	Threaded Stud, Stainless
9	56002948	6	Scr,Hex Hd Loc 1/4-20 x .75	52	56212036	1	Body, Nozzle
10	56003264	3	Ring, Ret Ext Type E 0.50 Dia	53	56212241	14	Clip, Panel
11	56003403	1	Nut, Hex Nyl Loc M6-1.00	54	56314136	1	Link Arm Pivot Weldment
12	56003406	2	Nut, Hex Nyl Loc M10-1.50	55	56314143	1	Deck Weld't, Sweep/Ext
13	56003426	8	Nut, Hex Nyl Loc SS M6 x 1.0	56	56314164	2	Skirt, Extractor Deck
14	56003431	2	Scr, Hex Hd SS M6-1.0 x 16mm	57	56314206	2	Gas Spring
15	56003491	2	Scr, Hex M10-1.50 x 40mm	58	56314294	1	Pin, Hitch Cotterless
16	56003492	1	Scr, Hex M6-1.0 x 95mm	59	56314332	1	Hopper Weld't, Extractor
17	56002959	2	Pin, Cotter Hair	60	56314351	2	Shoe Weldment
18	56009019	2	Scr, Hex Thd Form 1/4-20 x .38	61	56314404	2	Strap
19	56009020	2	Stud	62	56314406	2	Link Arm, Offset
20	56009048	1	Nut, Wing Loc 1/4-20	63	56314409	1	Shoe Support Weld't
21	56009062	4	Scr, Pan Phil Thd Form 1/4-20 x .50	64	56314434	1	Nozzle Bracket Weldment
22	56009086	6	Nut, Hex Jam 5/16-18	65	56314436	2	Strap
23	56185264	3	Bearing, Flange	66	56314445	2	Idler End Assy (#77-81)
24	56250414	2	Bearing, Flange	67	56401783	3	Leg Leveler 5/16-18
25	56360627	3	Bushing	68	56407559	2	Drive End Assy (#82-89)
26	56392726	1	Wheel, Rubber	71	56412459	1	Wheel
27	56393303	1	Actuator, Motor (M1)	73	56314576	1	Nozzle, Spray #3
[ ]	56388520	1	Replacement Plastic Nut	74	56412191	2	Brush, Soft Nylon 28"
28	56407303	2	Knob	75	56314577	1	Nozzle, Spray #7.5
29	56407391	2	Blade	76	56314578	1	Body, Nozzle QJJA
30	56407431	2	Motor, 36Vdc, .75 HP (M7 & M8)	77	56106070	1	Bearing, Ball
[ ]	56410183	1	Bearing	78	56407303	1	Knob
[ ]	56407492	1	Brush Cap Assy	79	56315447	1	Idler Bearing Plate
[ ]	56407493	4	Carbon Brush Assy	80	56407551	1	Hub
[ ]	56407494	4	Brush Cover Cap	81	56407558	1	Washer, Bearing
[ ]	56314254	1	Harness, Brush Motor	82	56002119	2	Scr, Soc Set Loc 1/4-20 x .50
31	56407432	2	Idler, Belt	83	56003237	1	Key, Sq. .19 x .62
32	56407433	2	Sheave, Poly-V	84	56106070	2	Bearing, Ball
33	56407434	1	Guard, Right Belt	85	56407389	1	Spacer
34	56407435	1	Guard, Left Belt	86	56407442	1	Sheave, Poly-V
35	56407465	1	Belt, Poly V 180J6	87	56315405	1	Bearing Plate
36	56407466	1	Belt, Poly V 190J6	88	56109527	1	Spindle
37	56412071	1	Compression Spring	89	56407558	1	Washer, Bearing
38	56412176	1	Bushing				
39	56412262	1	Housing, Spring				
40	56420018	1	Compression Spring				
41	56420019	1	Nut Retainer				
42	56420020	1	Nut Retainer				

[ ] = Not Shown





Item	Ref. No.	Qty	Description	Item	Ref. No.	Qty	Description
1	56002043	8	Scr, Pan Phil 10-24 x .38	51	56314458	1	Strap
2	56002098	6	Wsh, Flt SAE 1/4	52	56314460	1	Elbow Assembly
3	56002108	6	Scr, Pan Phil 1/4-20 x 2.00	53	56109539	1	Lid, Vac Filter Assy
4	56002507	4	Scr, Pan Phil 1/4-20 x .75	54	56314484	6	Mount, Vibration
5	56002801	8	Scr, Hex Hd SS 1/4-20 x .50	55	56601404	1	Drainhose <b>TSBUS2008-985</b>
6	56002850	12	Nut, Hex Nyl Loc-Thin SS 1/4-20	*	56601411	1	Drain Hose Cap Kit
7	56002859	5	Wsh, Flt SAE SS 1/4	*	56601410	1	Drain Hose Extension
8	56002896	5	Scr, Pan Phil SS 10-24 x .62	56	56314708	1	Spacer, Foam <b>NOTE 3</b>
9	56003067	1	Scr, Pan Phil SS 1/4-20 x 1.00	57	56314491	1	Gasket
10	56009060	12	Wsh, Flt SS .260 x 1.000 x .074	58	56314509	1	Spring
11	56009151	4	Scr, Flt Phil SS 1/4-20 x .50	59	56314535	1	Vac Hose Assy
12	56009191	2	Scr, Pan Phil Plastite 10-14 x .50	60	56458457	1	Hose, Vac
13	56324497	2	Cage, Float	61	56397228	2	Motor, Vac 36VDC ( <b>M5 &amp; M6</b> )
14	56314704	2	Gasket	[ ]	56212223	1	Carbon Brush Set
15	56391690	1	Ball, Float	62	56410446	1	Adapter
16	56407361	1	Clamp, Plastic	63	56314114	1	Hose, Vac
17	56314760	2	Gasket, Vacuum Duct	64	56314519	1	Hose, Vac
18	56440213	7	Clamp, Hose SAE #32	65	56314524	1	Hose, Vac
19	56459937	1	Hose, Vac	66	56314557	1	Y-Tube, Weldment
20	56900069	1	Barb, 90 Elbow 1/2 x 3/8 NPT <b>before SN 1685779</b>	67	56391644	1	Gasket ( <b>after SN 1685778</b> )
21	56003195	5	Nut, Acorn SS 1/4-20 High Crown	68	56003091	4	Scr, Pan Phil Plastite 10-14 x .75 <b>(after SN 1685778)</b>
22	56003232	1	Nut, Conduit Lock 1 1/4-12 NPS	69	56314609	1	Adaptor, Hose ( <b>after SN 1685778</b> )
23	56003660	1	Scr, Flt Phil SS 1/4-20 x 2.25	70	56314612	1	Vac Hose ( <b>after SN 1685778</b> )
24	56003661	2	Scr, Flt Phil SS 1/4-20 x 2.00	71	56314244	1	Coupler ( <b>after SN 1681196</b> )
25	56003662	1	Scr, Pan Phil SS 1/4-20 x 2.25	72	56314242	1	Vacuum Hose Assy. ( <b>after SN 1681196</b> )
26	56212236	1	Clamp, Plastic	73	56385564	1	Clamp, P ( <b>after SN 1681196</b> )
27	56397207	1	Hose, PVC Clear 7.00 <b>before SN 1685779</b>	74	56314706	1	Foam, Sound <b>NOTE 2</b>
28	56314099	1	Gasket	75	56391807	1	Foam, Acoustical
29	56314100	1	Muffler, Top Panel	76	56477613	1	Tie, Cable
30	56314101	1	Muffler, Bottom Panel	77	56001954	9	Wsh-Flt SAE 10
31	56314103	1	Gasket				
32	56314115	1	Pin, Cover Pivot				
33	56314191	1	Washer, Flat				
34	56314749	1	Cover, Exhaust <b>NOTE 1</b>				
35	56314705	1	Foam, Sound				
36	56314201	1	Cover, Vac Motor				
37	56314203	1	Lid, Recovery				
38	56314220	2	Tank Mount Bracket				
39	56314251	1	Harness, Vac ( <b>Not Shown</b> )				
40	56314279	1	Bladder				
41	56314761	1	Gasket, Hose				
42	56314371	1	Gasket				
43	56314372	2	Screen, Filter				
44	56314373	2	Filter				
45	56314377	1	Plate, Separator (2 MTR)				
46	56314379	1	Tank, Recovery				
47	56314380	1	O-Ring				
48	56314400	1	Wire Rope, 9 inch				
49	56314456	2	Strap				
50	56314457	1	Strap				

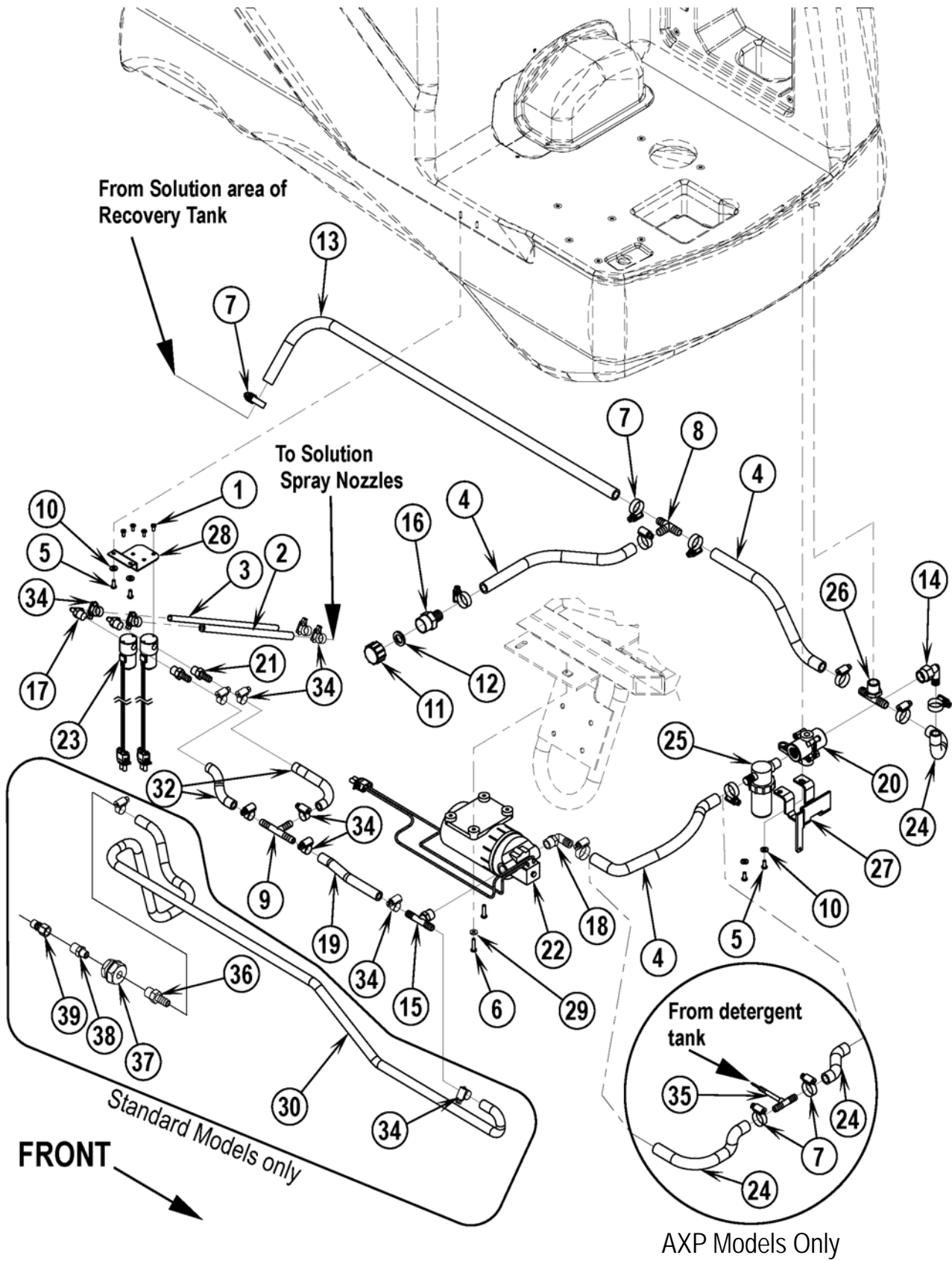
[ ] = Not Shown

\* = Optional, Not Included

NOTE 1: 56314749 replaces previous parts 56314199 &amp; 56314200 after April 2004.

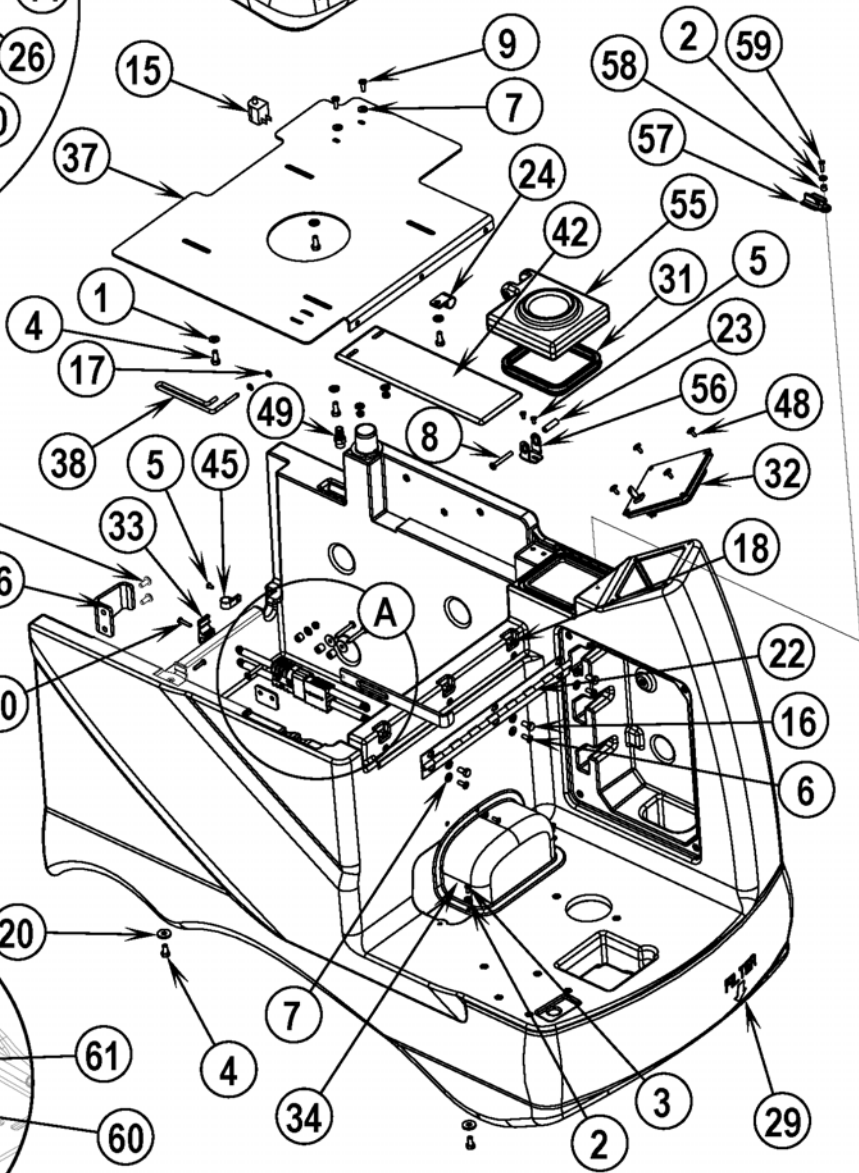
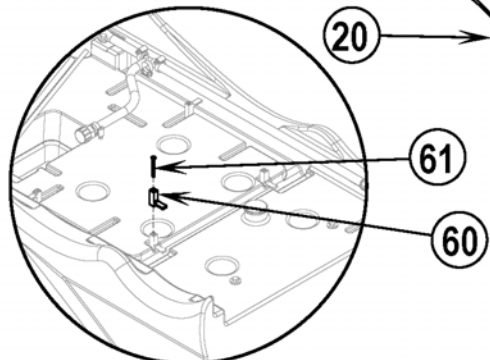
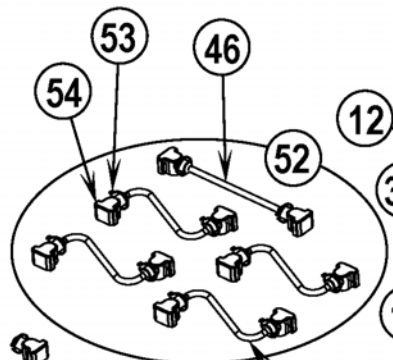
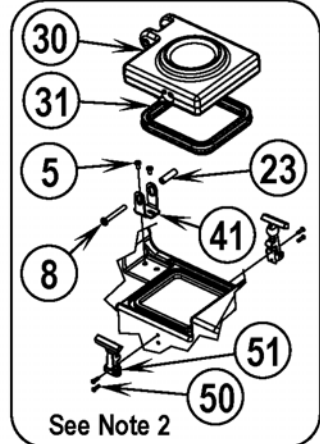
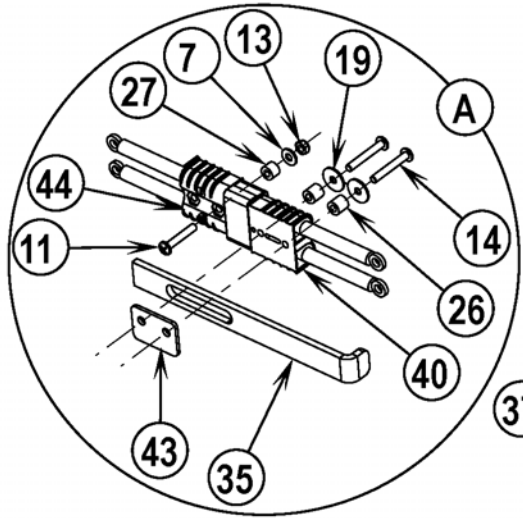
NOTE 2: 56314706 replaces previous part 56314762 after April 2004.

NOTE 3: 56314708 replaces previous part 56314500 after April 2004.



Item	Ref. No.	Qty	Description
1	56001818	4	Scr, Pan Phil 8-32 x .38
2	56264346	1	5.00 Hose
3	56220043	1	Solution Feed Hose
4	56409462	3	Hose, Spiral .50 ID x 12.00 (Qty of 2 on AXP models)
5	56002900	4	Scr, Pan Phil SS 10-24 x .50
6	56002733	2	Scr, Pan Phil 10-24 x .88
7	56219932	10	Clamp, Hose SAE #6 (Qty of 12 on AXP models)
8	56262549	1	Tee, Barb
9	56249280	1	Tee, Barb
10	56009205	4	Wsh, Flt SS #10
11	56255076	1	Cap, Pipe GHT Nylon
12	56368776	1	Washer, Rubber
13	56392663	1	Hose, Spiral .500
14	56409152	1	Barb, 90 Elbow 1/2 x 1/2 NPT
15	56412204	1	Tee, Barb 3/8 x 3/8 NPT (standard models only)
	56900035	1	Barb, 90 Elbow 3/8 x 3/8NPT (AXP models only)
16	56412273	1	Barb, Adapter 1/2 x 3/4GHT
17	56470138	2	Barb, 90 Elbow 19/64 x 1/4NPT
18	56900069	1	Barb, 90 Elbow 1/2 x 3/8NPT
19	56054293	1	Hose, Spiral .375
20	56314899	1	Valve, Ball
21	56155640	2	Barb, Adapter 3/8 x 1/4NPT
22	56212014	1	Pump 36VDC (M4) TSBUS2007-964
23	56314255	2	Valve, Solenoid 36V
24	56262180	1	Hose, Spiral .50 ID x 7.00 (Qty of 3 on AXP models)
25	56314147	1	Strainer
26	56314153	1	Tee, .5MPT x .5 Hose x .5 Hose
27	56314881	1	Bracket, Valve
28	56314197	1	Bracket, Solenoid Mount
29	56001954	2	Wsh, Flt SAE #10
30	56314432	1	Hose, Spiral .375 x 63 (standard models only)
32	56644845	2	Hose, Spiral .375
34	56756364	12	Clamp, Hose SAE #4 (Qty of 10 on AXP models)
35	56314983	1	Tee Assembly (AXP models only)
	56314982	1	Reducer, Barb
	56314977	1	Tee, Barb
	56314976	1	Hose, Chem Resistant, 2"
36	56155640	1	Barb, Adapter 3/8 x 1/4NPT (standard models only)
37	56745543	1	Adapter, Bulk Hd 1/4 (standard models only)
38	56220074	1	Nipple 1/4 to 1/8NPT (standard models only)
39	56220055	1	Plug (standard models only)

FRONT



Item	Ref. No.	Qty	Description	Item	Ref. No.	Qty	Description
1	56001939	4	Wsh, Flt SAE 5/16	42	56314532	1	Panel, Battery Box
2	56001954	4	Wsh, Flt SAE #10	43	56397189	1	Spacer
3	56002900	3	Scr, Pan Phil SS 10-24 x .50	44	56397508	1	Charge Connector Assy
4	56002035	8	Scr, Hex Hd 5/16-18 x .62	45	56442003	1	Clamp, P
5	56002043	3	Scr, Pan Phil 10-24 x .38	46	56441600	1	Cable, Battery
6	56002066	3	Scr, Pan Phil 1/4-20 x .62	47	56456460	4	Cable, Battery
7	56002098	11	Wsh, Flt SAE 1/4	48	56009206	4	Scr, Truss Phil-Blk 10-24 x .50
8	56002108	1	Scr, Pan Phil 1/4-20 x 2.00	49	56409507	1	Barb, Adapter 1/2 x 3/8 NPT (before SN 1685779)
9	56002507	2	Scr, Pan Phil 1/4-20 x .75	50	56003528	4	Scr, Pan Phil Plastite 6-18 x .50 NOTE 2
10	56002674	5	Scr, Pan Phil 10-24 x 1.00	51	56393560	2	Latch Assy NOTE 2
11	56002786	1	Scr, Pan Phil 1/4-20 x 1.50	52	56314339	1	Kit, Battery Connector (includes items 46-47, 53-54)
12	56002793	2	Scr, Pan Phil 5/16-18 x .75				NOTE 1
13	56002840	3	Nut, Hex Nyl Loc-Thin 1/4-20	53	56478246	10	Tie, Cable
14	56002997	2	Scr, Pan Phil 1/4-20 x 1.75	54	56372673	10	Boot, Battery Post
15	7-82-00050	1	Switch (S2) NOTE 7	55	56314066	1	Cover Solution Tank
16	56003178	3	Scr, Hex M8-1.25 x 16mm	56	56314619	1	Bracket, Hinge TSBUS2003-851
17	56003268	3	Ring, Ret Ext Type E Reinf. .25 Dia.	57	56314617	1	Latch, Plastic TSBUS2003-851
18	56003389	3	Nut, Hex Nyl Loc M8-1.25	58	56453849	1	Bushing .26 x .37 x .28 TSBUS2003-851
19	56009002	2	Wsh, Flt .266 x .906 x .060	59	56002192	1	Scr, Pan Phil 10-24 x .75
20	56009122	4	Wsh, Flt .344 x .938 x .125				NOTE 3 TSBUS2003-851
21	56372673	2	Boot, Battery Post	60	56314608	4	Clamp, Cable
22	56412196	1	Hinge NOTE 5	61	56002171	4	Scr, Pan Phil 10-24 x 2.00
	56314973	1	Hinge NOTE 6	*	56314119	1	Battery Spacer
23	56468553	1	Bushing, .27 x .37 x 1.30				[ ] = Not Shown
24	56469380	1	Clamp, P				
25	56478246	2	Tie, Cable				
26	56046309	2	Spacer, Phenolic				
27	56050872	1	Spacer, Phenolic				
28	8-69-00022	1	Seat NOTE 7				
29	56314941	1	Solution Tank TSBUS2005-896				
30	56314066	1	Cover, Solution Tank, Assy NOTE 2				
31	56314069	1	Gasket				
32	56314083	1	Control Panel Assembly (before TSBUS2006-922)				
	56316105	1	Control Panel Assembly (after TSBUS2006-922)				
[ ]	56396188	1	Switch, Key				
[ ]	56396189	1	Key, Spare				
33	56314155	5	Clamp, Cable				
34	56314975	1	Cover, Actuator Closed TSBUS2005-896				
35	56314292	1	Bar, Charge Disconnect				
36	56316526	1	Tank Mount Bracket				
37	56314221	1	Weld't, Seat Mount NOTE 4, NOTE 5				
	56314951	1	Weld't, Seat Mount NOTE 6				
38	56314223	1	Prop Rod				
[39]	56314971	1	Harness, Main (before TSBUS2006-922)				
	56316114	1	Harness, Main (after TSBUS2006-922)				
40	56314253	1	Charge Connector Assy				
41	56314264	1	Hinge Bracket (used before SN 1698112)				

NOTE 1: "Battery Connector Kit" (56314339) is included with machine.

NOTE 2: For AquaRide SE machines (between SN 1685779 & 1698112).

NOTE 3: Some machines use a Screw, Pan Phil Plastite 10-14 x 1.00 in this location, if there is not a tank insert.

NOTE 4: Seat Weldt 56314221 was modified as of serial #1726172 to accommodate Onboard Charger Kit 56314753.

NOTE 5: Used on machines before TSBUS2005-896.

NOTE 6: Used on machines after TSBUS2005-896.

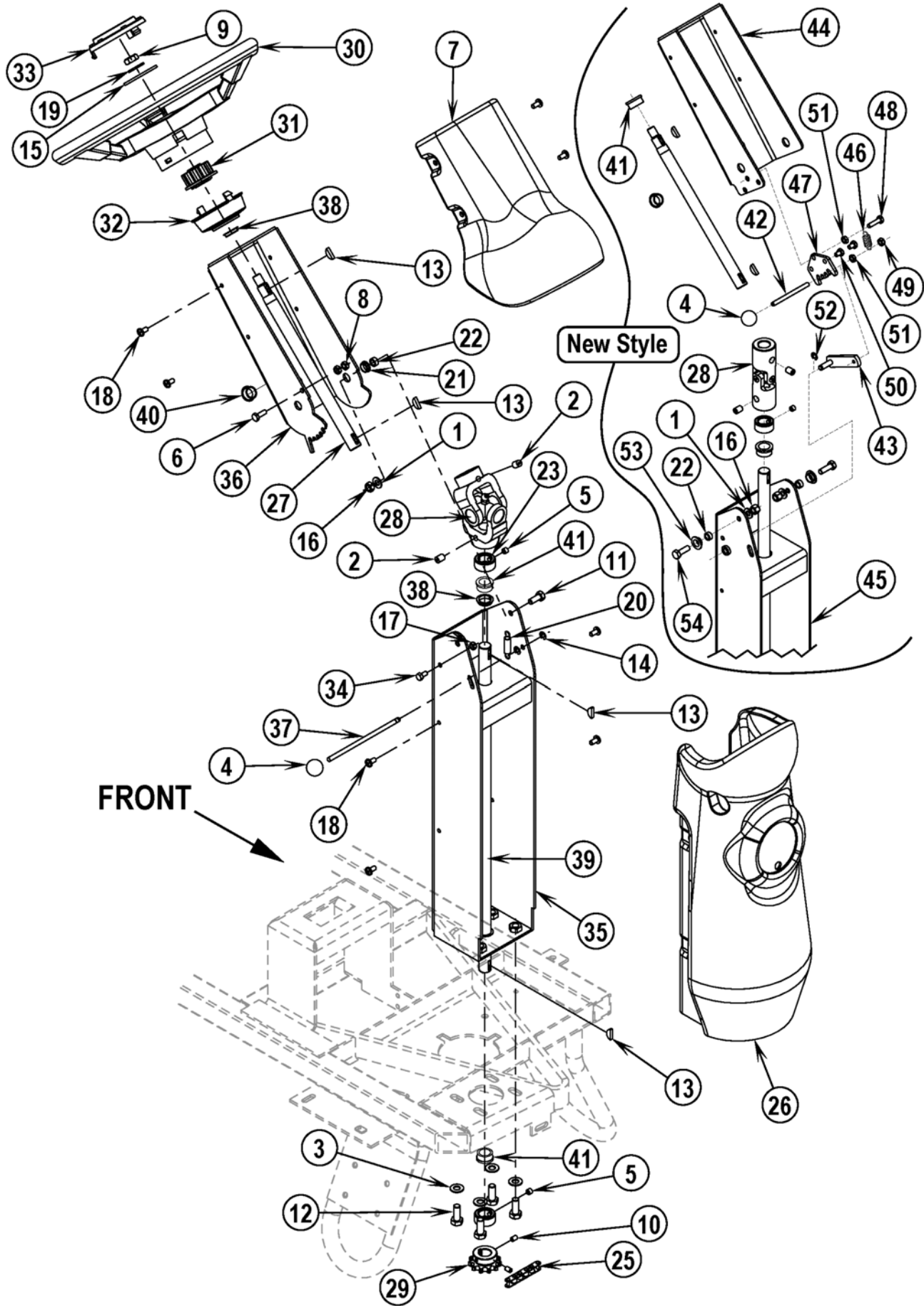
NOTE 7: Seat 56314035 is obsolete and replaced by 8-69-00022 in production. Order Seat kit 56109292 to replace in the field.



Item	Ref. No.	Qty	Description
1	56372673	2	Boot, Battery Post
2	56453849	1	Bushing .26 x .37 x .28
3	56468553	1	Bushing, .27 x .37 x 1.3
4	56001939	4	Wsh, Flt SAE 5/16
5	56001954	4	Wsh, Flt SAE #10
6	56002035	8	Scr, Hex 5/16-18 x .62
7	56002043	3	Scr, Pan Phil 10-24 x .38
8	56002066	3	Scr, Pan Phil 1/4-20 x .62
9	56002098	7	Wsh, Flt SAE 1/4
10	56002108	1	Scr, Pan Phil 1/4-20 x 2.00
11	56002171	4	Scr, Pan Phil 10-24 x 2.00
12	56002192	1	Scr, Pan Phil 10-24 x .75
13	56002674	5	Scr, Pan Phil 10-24 x 1.00
14	56002755	1	Scr, Flt Phil 1/4-20 x .50
15	56002786	1	Scr, Pan Phil 1/4-20 x 1.50
16	56002793	2	Scr, Pan Phil 5/16-18 x .75
17	56002840	1	Nut, Hex Nyl Loc-Thin 1/4-20
18	56002900	3	Scr, Pan Phil SS 10-24 x .50
19	56002997	2	Scr, Pan Phil 1/4-20 x 1.75
20	56003178	3	Scr, Hex M8-1.25 x 16mm
21	7-82-00050	1	Switch (S2) NOTE 1
22	56003268	2	Ring, Ret Ext Type E Reinf. 0.25 Dia
23	56003389	3	Nut, Hex Nyl Loc M8-1.25
24	56009002	2	Wsh, Flt .266 x .906 x .060
25	56009122	4	Wsh, Flt .344 x .938 x .125
26	56009206	4	Scr, Truss Phil-Blk 10-24 x .50
27	56046309	2	Spacer, Phenolic
28	56050872	1	Spacer, Phenolic
29	8-69-00022	1	Seat NOTE 1
30	56314066	1	Cover, Solution Tank
31	56314069	1	Gasket
32	56314083	1	Control Panel Assy. Extractor (before TSBUS2006-922)
	56316105	1	Control Panel Assembly (after TSBUS2006-922)
[ ]	56396188	1	Switch, Key
[ ]	56396189	1	Key, Spare
33	56314155	5	Clamp, Cable
34	56316526	1	Tank Mount Bracket
35	56314223	1	Prop Rod
36	56314253	1	Charge Connector Assy
37	56314292	1	Bar, Disconnect
38	56314608	4	Clamp, Cable
39	56314617	1	Latch, Plastic
40	56314619	1	Bracket, Hinge
41	56314941	1	Tank, Solution Aquaride
42	56314943	1	Brkt, Seat
43	56314947	1	Hose, Chem Resistant
44	56314949	1	Weld't, Seat Mount
45	56314960	1	Cover, Actuator
46	56316538	1	Assembly, Detergent Injection (see Detergent Injection System) TSBUS2006-922
47	56314965	1	Hose, PVC 1/4 x 3/8
48	56314973	1	Hinge
49	56314980	1	Harness, Chemical System
50	56397189	1	Spacer
51	56397508	1	Charge Connector Assy
52	56442003	1	Clamp, P
53	56469380	1	Clamp, P
54	56478246	2	Tie, Cable
55	56314339	1	Kit, Battery Connector (items 56-59)
56	56441600	1	Cable, Battery
57	56456460	4	Cable, Battery
58	56478246	10	Tie, Cable
59	56372673	10	Boot, Battery Post
*	56314119	1	Spacer, Battery
[ ]	56314971	1	Harness, Main (before TSBUS2006-922)
[ ]	56316114	1	Harness, Main (after TSBUS2006-922)

[ ] = Not Shown

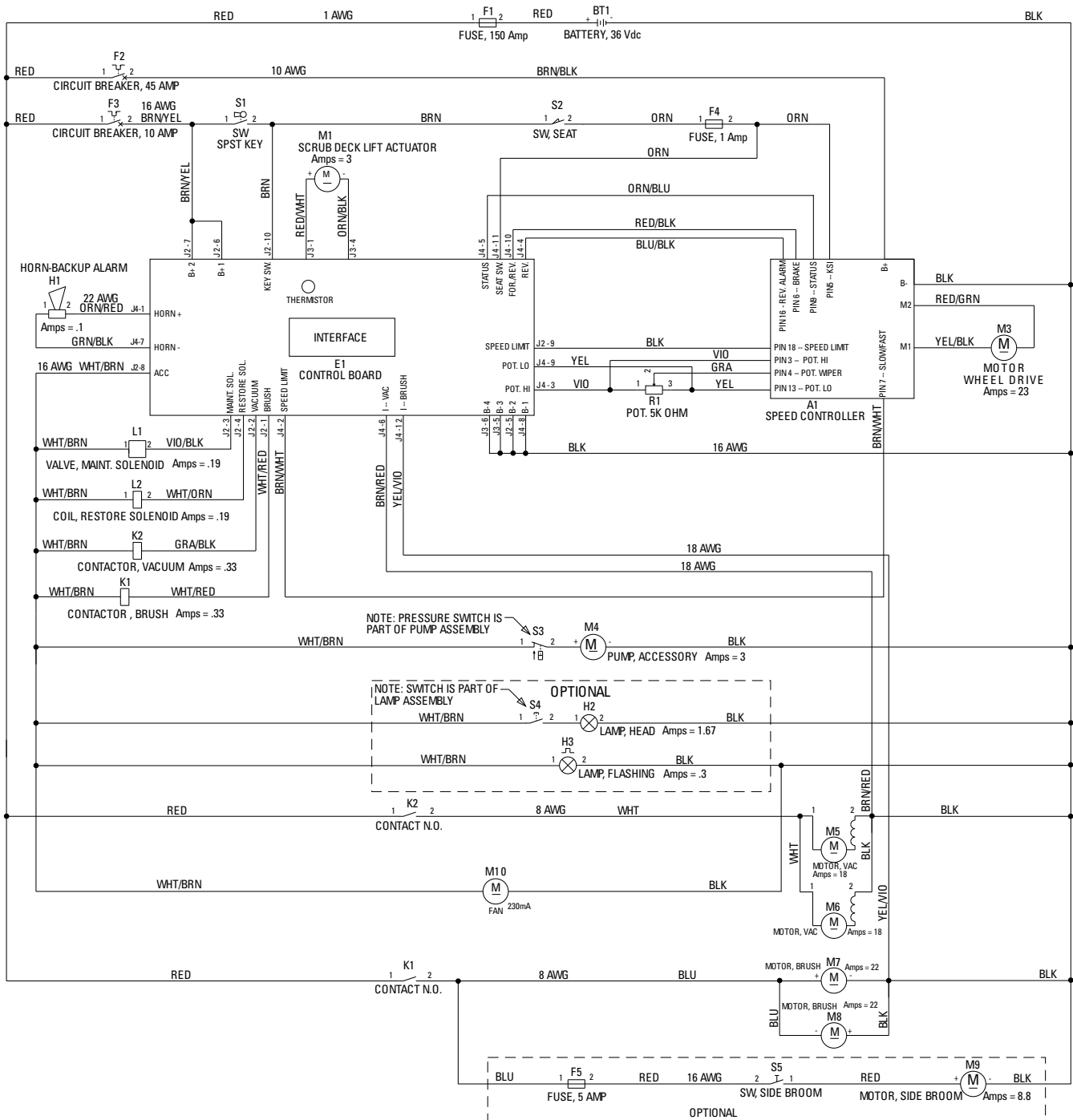
NOTE 1: Seat 56314035 is obsolete and replaced by 8-69-00022 in production. Order Seat kit 56109292 to replace in the field.



Item	Ref. No.	Qty	Description
1	56001939	2	Wsh, Flt SAE 5/16
2	56001958	2	Scr, Soc Set Loc 3/8-16 x .50
3	56002063	4	Wsh, Flt SAE 3/8
4	56440817	1	Knob
5	56002086	2	Scr, Soc Set Loc 5/16-18 x .25
6	56002155	1	Scr, Hex Hd 1/4-20 x .75 NOTE 1
7	56314296	1	Shroud, Upper Column
8	56002840	2	Nut, Hex Nyl Loc-Thin 1/4-20
9	56002843	1	Nut, Hex Nyl Loc-Thin 1/2-13
10	56002930	2	Scr, Soc Set Loc 1/4-20 x .38
11	56003179	2	Scr, Hex Thd To Hd M8-1.25 x 20mm NOTE 1
12	56003186	4	Scr, Hex Thd To Hd M10-1.50 x 25mm
13	56003228	4	Key, WDF .75 x .19
14	56003268	2	Ring, Ret Ext Type E Reinf .25 Dia NOTE 1
15	56003342	1	Wsh, Flt .88 x .25 x .13
16	56003389	2	Nut, Hex Nyl Loc M8-1.25
17	56003403	1	Nut, Hex Nyl Loc M6-1.00 NOTE 1
18	56009062	8	Scr, Pan Phil Thd Form 1/4-20 x .50
19	56001879	1	Wsh, Flt SAE 1/2
20	56245008	1	Spring, Extension NOTE 1
21	56302164	2	Bearing, Flange NOTE 1
22	56320595	2	Bushing .32 x .50 x .28
23	56367095	2	Collar, Shaft
25	56412198	1	Chain, Roller
26	56314295	1	Shroud, Lower Column
27	56420059	1	Shaft, Upper Steering
28	56454081	1	Universal Joint
29	56471148	1	Sprocket
30	56497306	1	Steering Wheel
31	56497560	1	Wheel Adapter
32	56497308	1	Cup
33	56497543	1	Cap
34	56003155	1	Scr, Hex M6-1.00 x 12mm NOTE 1
35	56314877	1	Lower Column Weldment TSBUS2005-887
36	56314093	1	Column, Steering NOTE 1
37	56314094	1	Rod, Steering lock NOTE 1
38	56314148	3	Bearing, Nyliner (qty of 1 after Sept. 2004) TSBUS2005-887 NOTE 1
39	56314195	1	Shaft, Lower Steering
40	56900041	1	Plug, Cap
41	56250414	2	Bearing, Flange (After Sept. 2004) TSBUS2005-887 (qty of 3 after serial number 1942863)
42	56413664	1	Rod NOTE 2
43	56413661	1	Steering Pawl Weldment NOTE 2
44	56413657	1	Column, Upper NOTE 2
45	56413659	1	Lower Column Weldment NOTE 2
46	56305072	1	Spring, Extension .075 NOTE 2
47	56413658	1	Ratchet, Steering Column NOTE 2
48	56002093	1	Scr, Hex 1/4-20 x 1.00 NOTE 2
49	56002840	1	Nut, Hex Nyl Loc-Thin 1/4-20 NOTE 2
50	56003039	2	Scr, Hex Hd Loc 1/4-20 x .50 NOTE 2
51	56003145	2	Nut, Hex Jam SS 1/4-20 NOTE 2
52	56003261	1	Ring, Ret Ext Type E 0.31 Dia NOTE 2
53	56413211	2	Bearing, Flange .625 x .500 x .250 NOTE 2
54	56003436	2	Scr, Hex SS M8-1.25 x 25mm NOTE 2

NOTE 1: Used on machines built before serial number 1942864.

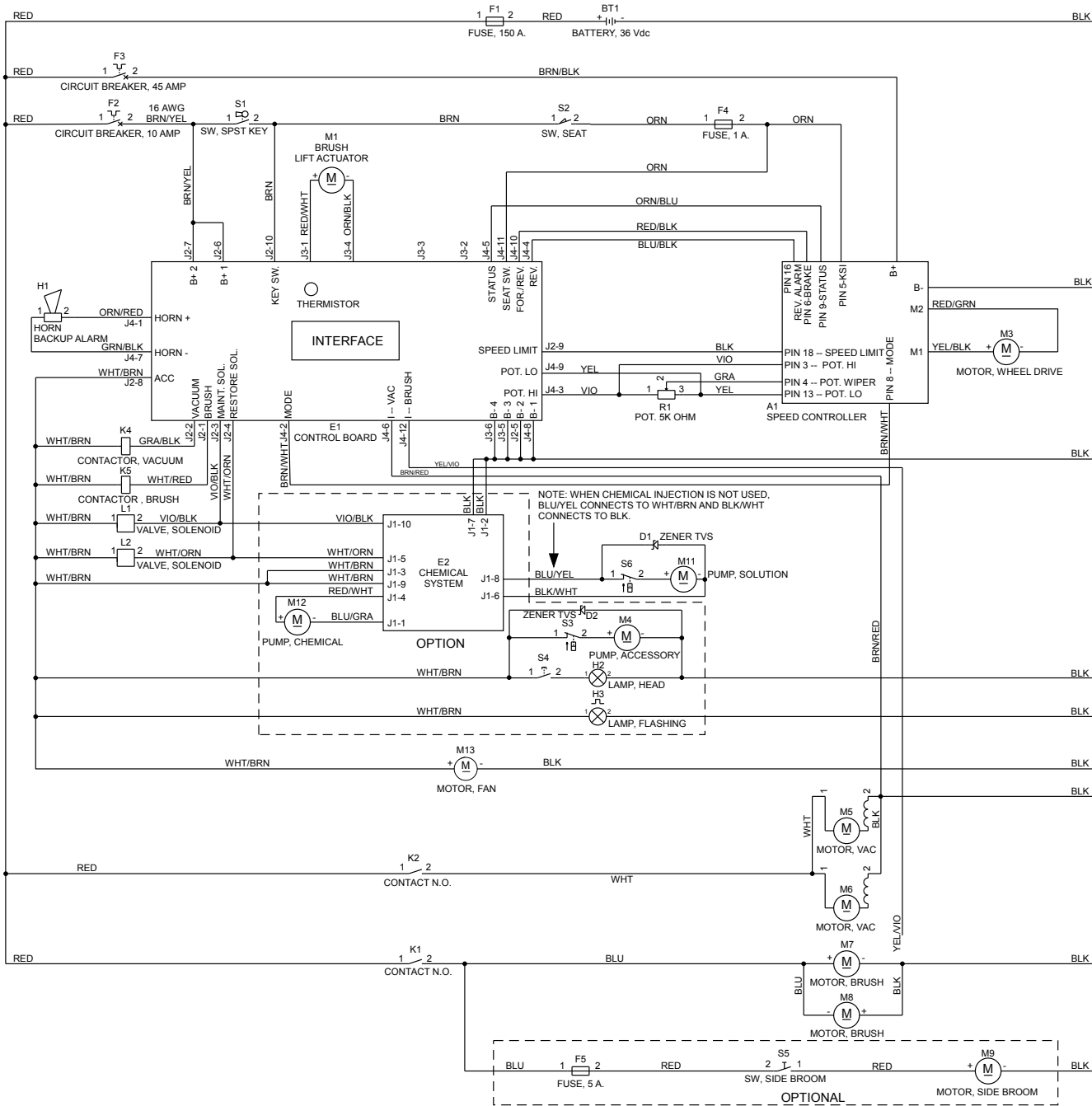
NOTE 2: Used on machines built after serial number 1942863.



Item	Ref. No.	Qty	Description
A1	56314597	1	Controller TSBUS2004-863
BT1	N/A		Battery
E1	56314083	1	Control Panel Assembly
F1	56412089	1	Fuse, 150 Amp
F2	56364294	1	Circuit Breaker, 45 Amp (Wheel Drive)
F3	56387316	1	Circuit Breaker, 10 Amp (Control Circuit)
F4	N/A	1	Fuse, 1 Amp
F5		1	Circuit Breaker, 10 Amp (Side Broom / optional)
H1	56412177	1	Horn / Backup Alarm
H2	56314063	1	Headlight (optional)
H3	56416433	1	Strobe Light (optional)
K1	56395455	1	Contactor, Brush Motor
K2#	56395453	1	Contactor, Vac Motor TSBUS2008-1020
L1	56314255	1	Solenoid Valve, (Maintenance)
L2	56314255	1	Solenoid Valve, (Restoration)
M1	56393303	1	Lift Actuator, Brush
[ ]	56388520	1	Plastic Nut
M3	56314602	1	Motor, Drive Wheel TSBUS2004-863 / TSBUS2004-869
M4	56212014	1	Motor, Pump TSBUS2007-964
M5	56397228	1	Motor, Vac 36VDC
[ ]	56212223	1	Carbon Brush Set
M6	56397228	1	Motor, Vac 36VDC
[ ]	56212223	1	Carbon Brush Set
M7	56407431	1	Motor, 36VDC, .75HP
[ ]	56410183	1	Bearing
[ ]	56407492	1	Brush Cap Assy
[ ]	56407493	4	Carbon Brush Assy
[ ]	56407494	4	Brush Cover Cap
M8	56407431	1	Motor, 36VDC, .75HP
[ ]	56410183	1	Bearing
[ ]	56407492	1	Brush Cap Assy
[ ]	56407493	4	Carbon Brush Assy
[ ]	56407494	4	Brush Cover Cap
M9		1	Motor, Side Broom (optional)
M10	56314700	1	Motor, Fan TSBUS2004-855
R1	56454740	1	Potentiometer, 5K
S1	56396188	1	Switch, Key
[ ]	56396189	1	Key, Spare
S2	7-82-00050	1	Switch, Seat
S3	N/A	1	Switch, Pump (part of M4)
S4	N/A	1	Switch, Headlight (part of H2)
S5		1	Switch, Side Broom (optional)

# = Revised or new since last update

[ ] = Not Shown



REFERENCE: WIRING DIAGRAM 56316113

56016747-REV. A

Item	Ref. No.	Qty	Description
A1	56314597	1	Controller
BT1	N/A		Battery
E1	56314083	1	Control Panel Assembly (before TSBUS2006-922)
	56316105	1	Control Panel Assembly (after TSBUS2006-922)
E2	56316110	1	Control Assembly (Detergent Injection only) TSBUS2007-953
F1	56412089	1	Fuse, 150 Amp
F2	56387316	1	Circuit Breaker, 10 Amp (Control Circuit)
F3	56364294	1	Circuit Breaker, 45 Amp (Wheel Drive)
F4	N/A	1	Fuse, 1 Amp
F5		1	Circuit Breaker, 10 Amp (Side Broom / optional)
H1	56412177	1	Horn / Backup Alarm
H2	56314063	1	Headlight (optional)
H3	56416433	1	Strobe Light (optional)
K1	56395455	1	Contact, Brush Motor
K2#	56395453	1	Contact, Vac Motor TSBUS2008-1020
L1	56314255	1	Solenoid Valve, (Maintenance)
L2	56314255	1	Solenoid Valve, (Restoration)
M1	56393303	1	Lift Actuator, Brush
[ ]	56388520	1	Plastic Nut
M3	56314602	1	Motor, Drive Wheel
M4	56212014	1	Pump, Accessory (optional) TSBUS2007-964
M5	56397228	1	Motor, Vac 36VDC
[ ]	56212223	1	Carbon Brush Set
M6	56397228	1	Motor, Vac 36VDC
[ ]	56212223	1	Carbon Brush Set
M7	56407431	1	Motor, 36VDC, .75HP
[ ]	56410183	1	Bearing
[ ]	56407492	1	Brush Cap Assy
[ ]	56407493	4	Carbon Brush Assy
[ ]	56407494	4	Brush Cover Cap
M8	56407431	1	Motor, 36VDC, .75HP
[ ]	56410183	1	Bearing
[ ]	56407492	1	Brush Cap Assy
[ ]	56407493	4	Carbon Brush Assy
[ ]	56407494	4	Brush Cover Cap
M9	56469530	1	Motor, Side Broom (optional)
M11	56212014	1	Pump, Solution TSBUS2007-964
M12	56314984	1	Pump, Detergent (Detergent Injection only)
M13	56314700	1	Motor, Fan
R1	56454740	1	Potentiometer, 5K
S1	56396188	1	Switch, Key
[ ]	56396189	1	Key, Spare
S2	7-82-00050	1	Switch, Seat
S3	N/A	1	Switch, Pump (part of M4)
S4	N/A	1	Switch, Headlight (part of H2)
S5		1	Switch, Side Broom (optional)

# = Revised or new since last update

[ ] = Not Shown



**Advance**

14600 21st Avenue North  
Plymouth, MN 55447-3408

[www.advance-us.com](http://www.advance-us.com)

Phone: 800-989-2235

Fax: 800-989-6566

©2010 Nilfisk-Advance, Inc.

---

**A Nilfisk-Advance Brand**