



Electronic Service Manuals

This electronic document is provided as a service to our customers. We do not create the contents of the information contained in this document. Should you have detailed questions pertaining to the information contained in this document, you may contact Michco, or the manufacturer which provided the original information in this electronic deliverable. Michco's only part in this electronic deliverable was the electronic assembly process.

You may contact Michco through the following methods:
Phone (517) 484-9312 or (800) 331-3339 MI, OH, IN only
2011 N. High St. -- Lansing, Michigan -- 48906
Fax: (517) 484-9836
Email: CustServ@Michco.com
Web site: www.Michco.Com
Parts Web site: www.FloorMachineParts.Com

Order Parts on Line at:
www.FloorMachineParts.Com

Directly to Parts & Service:
By Email: **Shop@Michco.com**
By Fax: (517) 702-2041
By Voice: Use numbers above.

Serving the Cleaning Industry Since 1922

Notice: All copyrighted material remains property of original owners, all trademarks are property of respective owners. Manuals are subject to Manufacturer's reproduction limitations. Originals or reproductions were provided by manufacturers through a request. We make no warranty as to the correctness of information provided in this document and you assume all risk.

Hydro-Cat™ 5015



PARTS LIST

**Advance MODELS 56459000 (gas), 56459005 (propane)
56459010 (gas-Hydro-Max™ II)
56459015 (propane-Hydro-Max™ II)**

This parts list is for machines after serial number 488316



**Nilfisk
Advance**

setting standards

revised 6/01 Form Number 56042258

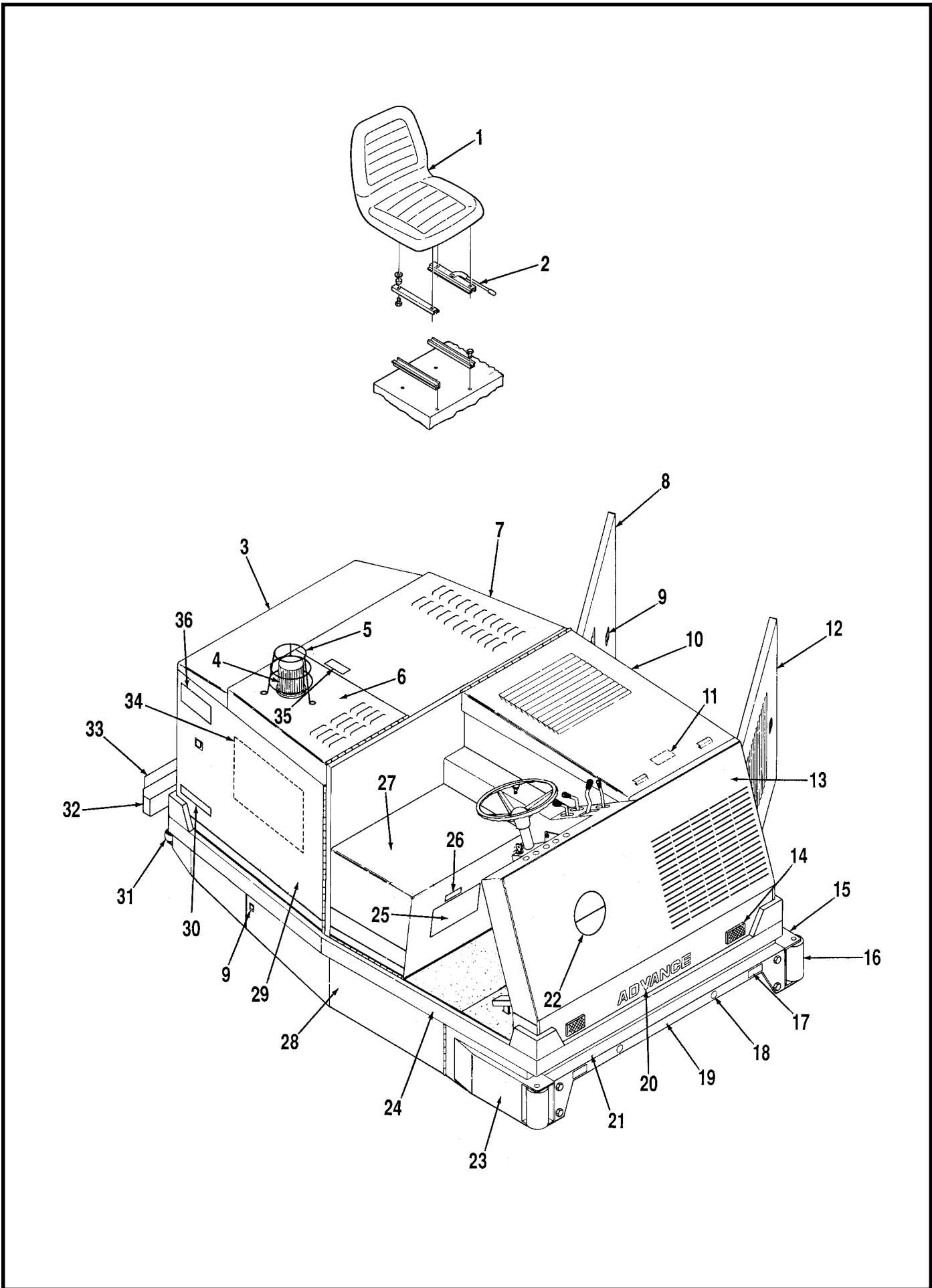
TABLE OF CONTENTS

DESCRIPTION	PAGE
Outer Body	1-2
Operator's Compartment	3-4
Radiator	5-6
Air Filter	5-6
Engine Assembly (before SN 1203266)	7-8
Engine Assembly (after SN 1203265)	9-10
Fuel Tank	11-12
Battery	11-12
LP System	13-14
Governor & Drive Pedal Linkage (before SN 1203266)	15-16
Governor & Drive Pedal Linkage (after SN 1203265)	17-18
Oil Reservoir (before SN 1203266)	19-20
Oil Reservoir (after SN 1203265)	21-22
Control Valve Assembly	23-24
Brush Drive Assembly	25-26
Steering & Spindle Assembly	27-28
Broom Housing & Front Skirts	29-30
Broom Motor & Left Skirt	31-32
Right Skirt & Door	33-34
Sound Box Assembly	35-36
Impeller & Jackshaft	37-38
Front Drive Wheels	39-40
Brake System	41-42
Squeegee Mount & Lift	43-44
Squeegee	45-46
Standard Solution System	47-48
Hydro-Max Solution System	49-50
Standard Recovery Tank	51-52
Hydro-Max Recovery Tank	53-54
Wiring Diagram (before SN1057347)	55-56
Wiring Diagram (after SN1057346)	57-58
Hydraulic Diagram (before SN1203266)	59-60
Hydraulic Diagram (after SN1203265)	61-62

WHEN ORDERING PARTS

- * Use the 8 digit numbers from the "Part No." columns in this parts list.
- * Specify the model and serial number of the machine.
- * Use the space below to record the model and serial number for future reference.

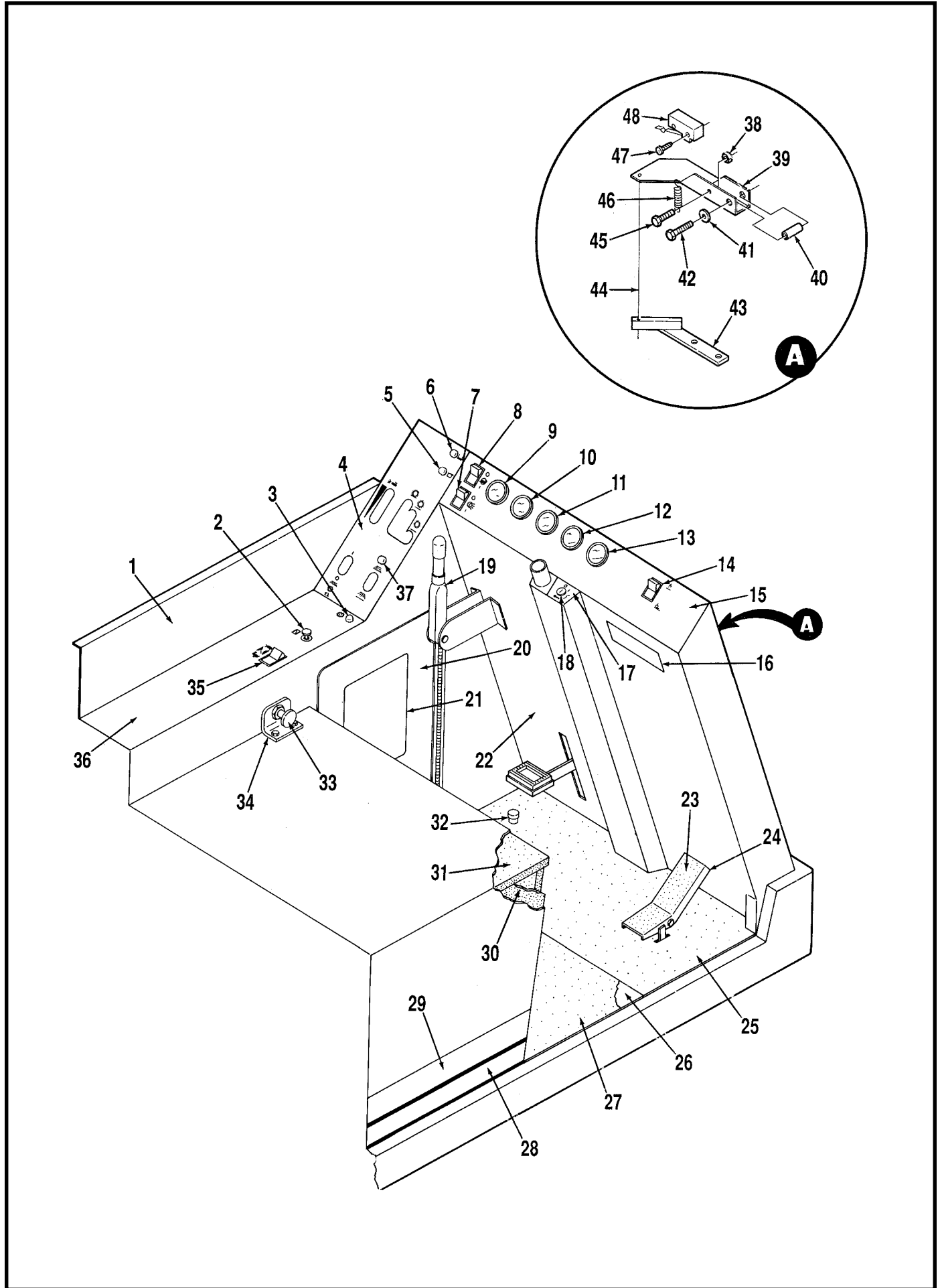
Model _____ Serial No. _____



OUTER BODY

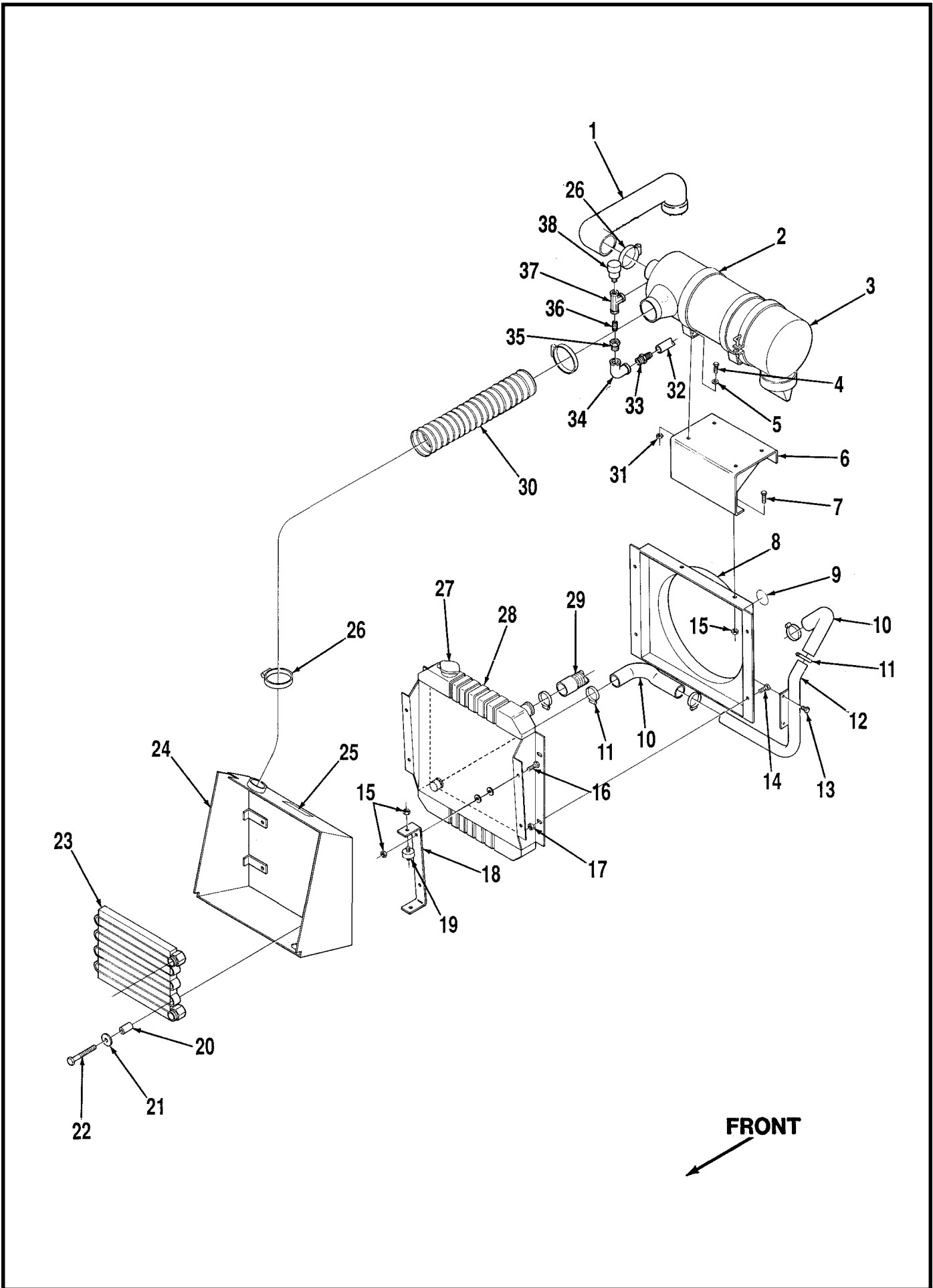
Item	Part No.	Qty	Description	Item	Part No.	Qty	Description
1	56481346	1	Seat	16	56409335	2	Bumper
2	56495871	1	Slide w/ Hardware	*	56456853	2	Pin
3	56459115	1	Cover (Standard)	17	56025478	2	Decal, Flow Control
*	56459113	1	Plate	18	56030080	2	Decal, Hands Clear
*	56459116	1	Gasket	19	56457643	1	Panel
*	56454718	1	Deflector, Std & Hydro-Max II	20	56014637	2	Decal, Advance
*	56459128	1	Cover, Hydro-Max II	21	56457635	1	Bracket
*	56483549	8'	Gasket, Hydro-Max II (2.5 m)	22	56014513	2	Decal, Logo
4	56489639	1	Beacon TSB 603, G-5	23	56457642	1	Right Splash Guard
5	56496061	1	Light Guard TSB 603, G-5	24	56459227	1	Chassis
6	56457612	1	Cover	25	56025464	1	Decal, Main Impeller
	56457626	1	Cover Hinge	26	56014540	1	Decal, Patent
*	56014517	1	Decal, Important	27	56459074	1	Seat Panel
*	56025590	1	Decal, Detergent Ratio		56457632	1	Seat Panel Hinge
7	56457604	1	Panel	28	56459195	1	Right Door
8	56459076	1	Left Door	*	56459197	1	Left Door
*	56459192	1	Left Door Hinge	29	56459077	1	Right Door
9	56493272	5	Latch TSB 760		56459192	1	Right Door Hinge
10	56457606	1	Hood	30	56015198	2	Decal, Hydro Max II
	56457624	1	Hood Hinge	31	56454906	2	Rear Bumper
*	56385238	1	Cylinder	*	56454916	2	Pin
11	56014704	1	Decal, RPM	32	56456880	1	Weight
12	56459078	1	Door	33	56025504	1	Decal, Weight
*	56459075	1	Door Hinge	34	56015215	1	Decal, Hydraulic Diagram
13	56459068	1	Panel	35	56025596	1	Decal, Note
14	56454528	2	Headlight	36	56015177	2	Decal, Hydro-Cat
*	56459069	2	Plate				
15	56457640	1	Left Splash Guard				

* = Not Shown



OPERATOR'S COMPARTMENT

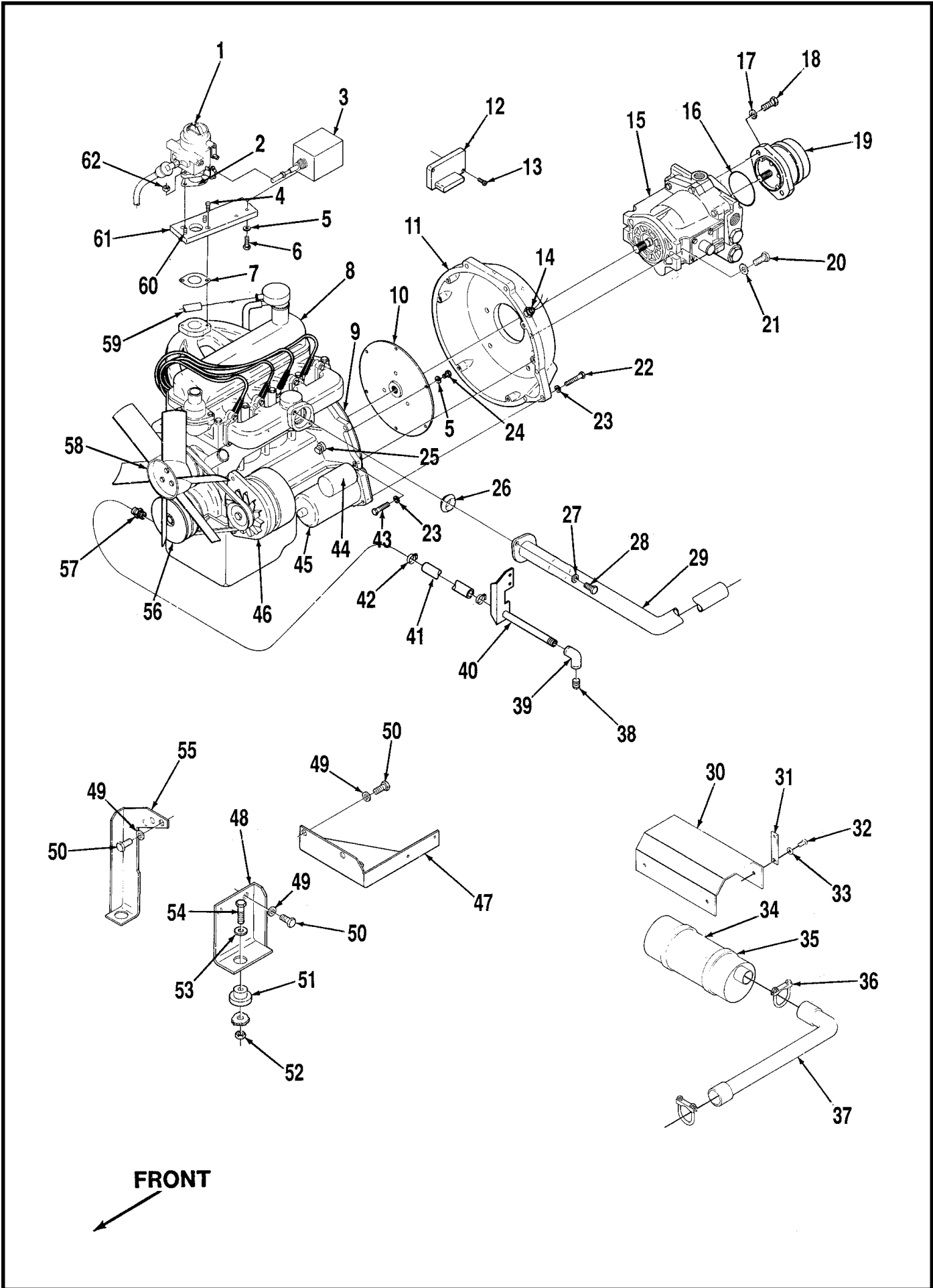
Item	Part No.	Qty	Description
1	56457672	1	Panel
2	56760210	1	Choke Cable (Gas Only)
3	56456544	1	Indicator Light
4	56015213	1	Decal, Control Panel
5	56456469	1	Indicator Light
6	56456544	1	Indicator Light, Hydro-Max II
7	56262551	1	Headlight Switch
8	56262551	1	Recycle Switch, Hydro-Max II
9	56478363	1	Hour Meter
10	56482044	1	Volt Meter
11	56489600	1	Temperature Gauge
12	56489592	1	Oil Pressure Gauge
13	56489598	1	Fuel Gauge (Gas Only)
14	56262551	1	Squeegee Switch
15	56015212	1	Decal, Control Panel
16	56014880	1	Decal, Important
17	56025476	1	Decal, Control
18	56478640	1	Key Switch
19	56448200	1	Parking Brake Lever
20	56457462	1	Door
21	56014601	1	Decal, Caution
22	56459070	1	Panel
23	56449958	1	Pedal, Mat
24	56497313	1	Pedal
25	56459235	1	Floor Mat
26	56459233	1	Floor Plate
27	56459234	1	Floor Mat
28	56024006	3	Decal, Stripe
29	56015216	1	Decal, Stripe
30	56457476	1	Foam
31	56457474	2	Foam
32	56441555	1	Horn Switch
33	56578214	1	Lock
34	56457470	1	Bracket
35	56262551	1	Engine Speed Switch
36	56015211	1	Decal, Control Panel
37	56456464	1	Indicator Light
38		1	#10-24 Nut
39	56456807	1	Lever
40	56471220	1	Bushing
41		1	1/4 Flat Washer
42		1	1/4-20 x 1-1/2 Screw
43	56456809	1	Bracket
44	56456805	1	Cable
45		1	#10-24 x 1 Screw
46	56245008	1	Spring
47		2	#6-32 x 1 Screw
48	56388019	1	Switch



RADIATOR ASSEMBLY

Item	Part No.	Qty	Description
1	56459063	1	Hose
2	56480650	2	Clamp
3	56478710	1	Air Cleaner
*	56478720	1	Primary Element (Outer)
*	56478722	1	Secondary Element (Inner)
4		4	5/16-18 x 5/8 Bolt
5		4	5/16 Washer
6	56459042	1	Mount
7		2	1/4-20 x 3/4 Screw
8	56459032	1	Shroud
9	56030080	1	Decal, Hands Clear
10	56481287	2	Radiator Hose
11	56329145	6	Hose Clamp
12	56462124	1	Tube
13		2	#10-24 x 1/2 Screw
14	56457286	4	Screw
15		14	1/4-20 Whiz Nut
16		4	1/4-20 x 5/8 Screw
17		4	M6 Nut
18	56456412	2	Strap
19	56478684	4	Rubber Mount
20	56488487	4	Spacer
21		4	5/16 Washer
22		4	5/16-18 x 2 Bolt
23	56457282	1	Oil Cooler TSB 722
24	56459089	1	Shroud
25	56030072	1	Decal, Warning
26	56440213	4	Hose Clamp
27	56456431	4	Radiator Cap
28	56457280	1	Radiator
29	56456304	1	Radiator Hose (length 15")
	56482333	1	Radiator Hose (length 11" / used after 5/95)
30	56459044	1	Hose
31		4	5/16-18 Whiz Nut
32	56459064	1	Hose
33	56373456	1	Barb
34	56340782	1	Elbow
35	56740214	1	Bushing
36	56750746	1	Nipple
37	56752020	1	Tee
38	56478461	1	Service Indicator

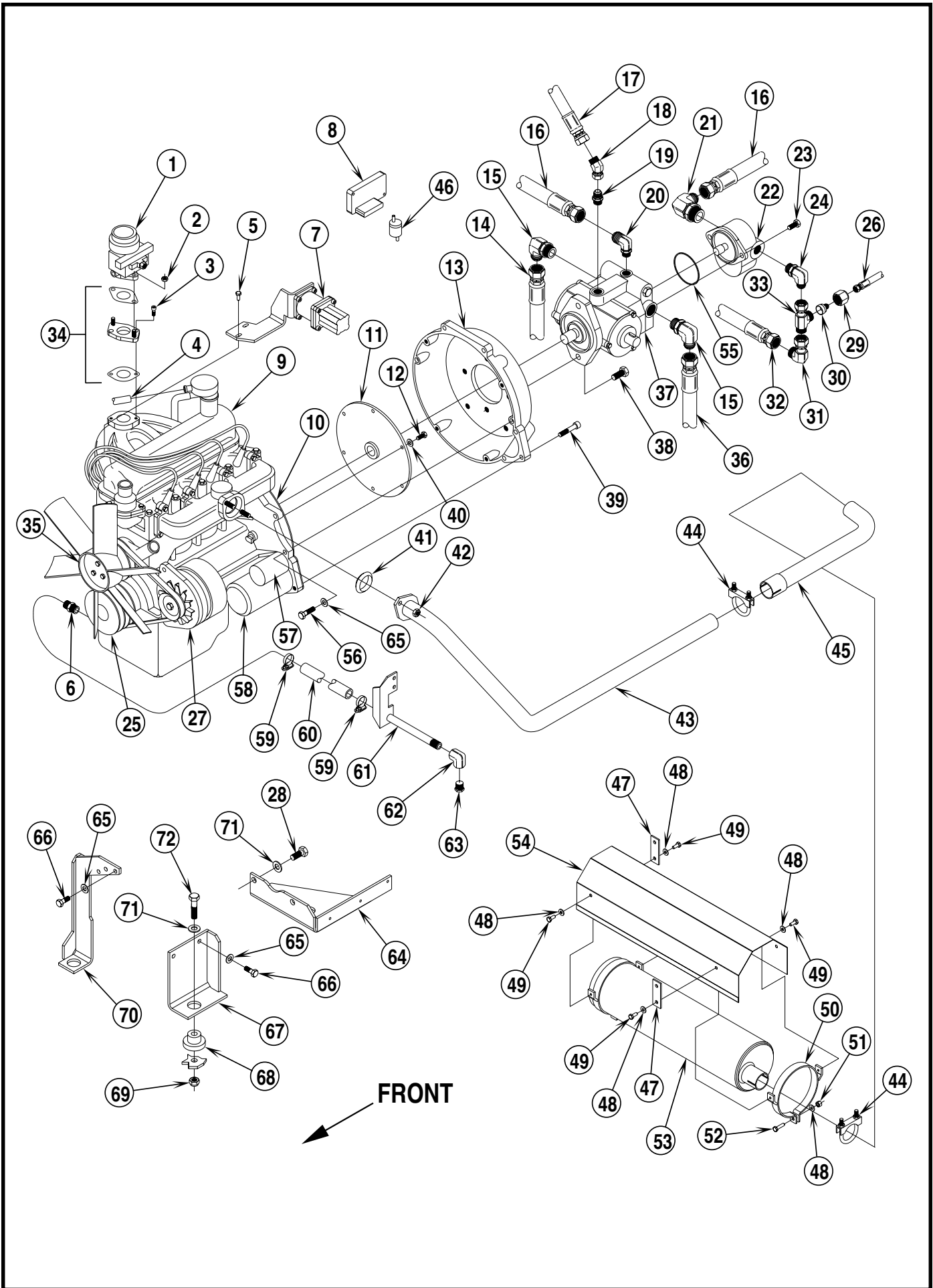
* = Not Shown



ENGINE ASSEMBLY (before SN 1203266)

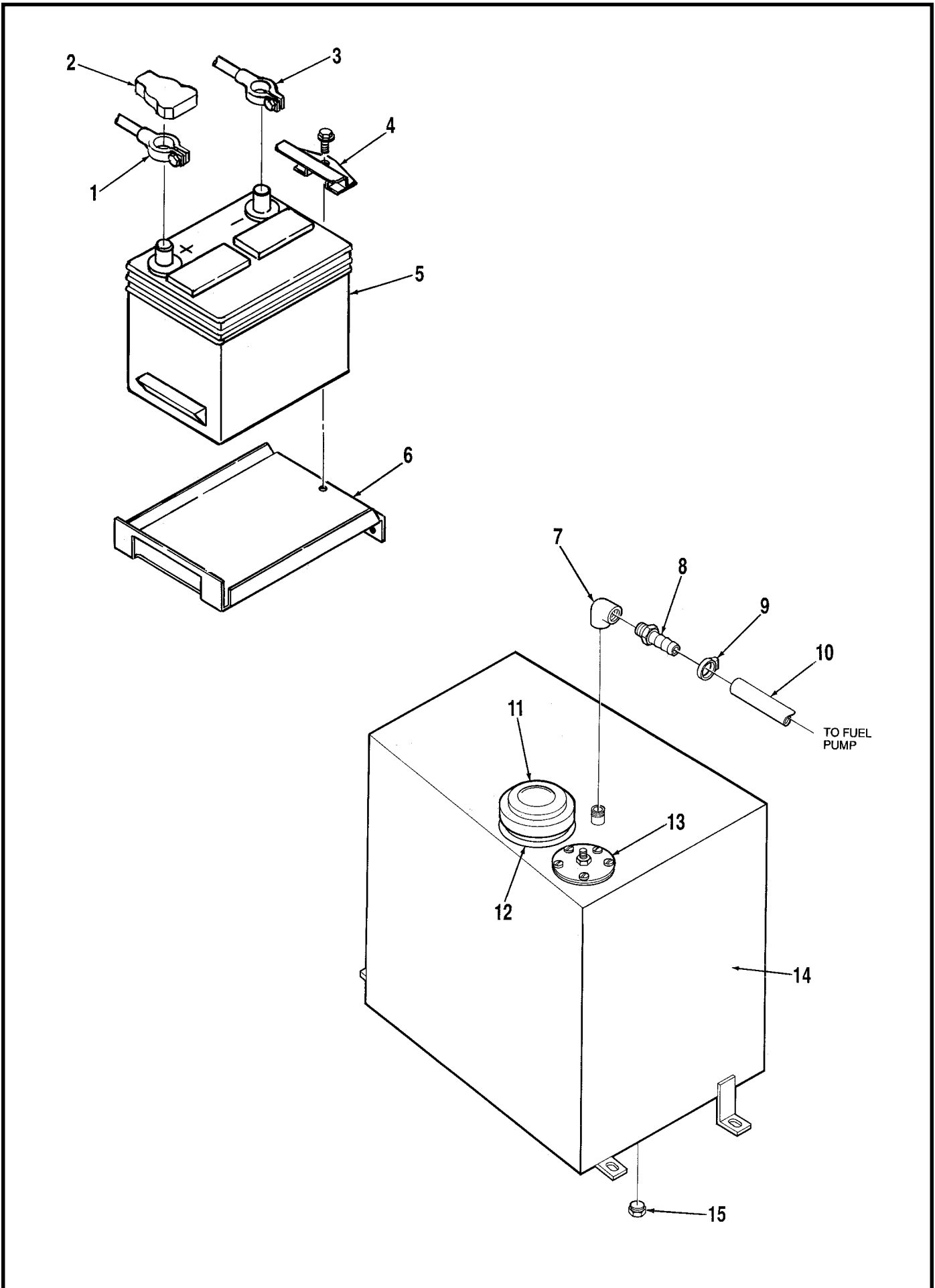
Item	Part No.	Qty	Description	Item	Part No.	Qty	Description
1	56462873	1	Carburetor TSB 570 - G10	39	56404274	1	Elbow
2	56100017	1	Gasket	40	56457140	1	Bracket
3	56484288	1	Actuator TSB 646 F-10	41	56456437	1	Hose
4		2	1/4-20 x 3/4 Screw	42	56219932	2	Hose Clamp
5		8	5/16 Washer	43	56002095	6	Scr, Hex 3/8-16 x 1.50
6		2	5/16-18 x 1 Bolt	44	56462869	1	Starter Solenoid
7	56100016	1	Gasket	45	56462055	1	Starter Motor
8	56462051	1	Engine, Gas		56462868	1	Starter Assembly (#44, 45)
	56459062	1	Engine Assembly, Gas	46	56462863	1	Alternator 55 Amp
	56462050	1	Engine, LP				(before SN 1004467)
	56459066	1	Engine Assembly, LP		56463608	1	Alternator 37 Amp
9	56462054	1	Rear Engine Plate				(after SN 1004466)
10	56462063	1	Coupler	47	56459047	1	Mount
11	56462083	1	Bell Housing	48	56459034	1	Mount
12	56462915	1	Ignition Controller and Harness	49		7	1/2 Lock Washer
13		2	#10-24 x 1 Screw	50		7	1/2-13 x 1-1/4 Bolt
14	56484289	1	Governor Sensor	51	56478685	3	Rubber Mount
15	56456968	1	Hydraulic Pump	52	56002770	3	Nut Hex Nyl Loc 1/2-13
16	56488867	1	O-Ring	53	56001879	3	Wsh, Flt SAE 1/2
17		2	7/16 Washer	54	56002983	3	Scr, Hex 1/2-13 x 2.00
18		2	7/16-20 x 1 Bolt	55	56459035	1	Mount
19	56458691	1	Hydraulic Pump	56	56462472	1	Sheave
20		2	1/2-13 x 1 Bolt	57	56462244	1	Adapter
21		2	1/2 Washer	58	56459191	1	Fan
22		3	3/18-16 x 2 Bolt	*	56459190	1	Fan Spacer
23		11	3/8 Washer	*	56462865	1	Fan Belt
24	56002667	6	Scr, Hex 5/16-18 x .75	59	56459064	1	Hose
25	56462875	4	Ignition Transducer	60	56462089	1	Stud
26	56462053	1	Exhaust Gasket	61	56462052	1	Carburetor Spacer
27		2	M10 Washer	62		2	5/16-18 Nut
28		2	M10 x 1.5 x 25 mm Bolt	*	56462080	1	Engine Wiring Harness
29	56459057	1	Exhaust Pipe	*	56462862	1	Oil Filter
30	56456374	1	Muffler Shield	*	56462864	1	Water Pump
31	56459096	2	Mount	*	56462871	1	Fuel Pump
32	56001836	4	Scr, Hex 1/4-20 x .62	*	56462872	1	Fuel Pump Gasket
33	56002098	4	Wsh, Flt SAE 1/4	*	56478698	1	Oil Pressure Sender
34	56459095	1	Muffler	*	56481888	1	Coolant Temperature Sender
*	56482496	1	Spark Arrestor (optional)	*	56463575	1	Spark Plug Wire Set
35	56456368	2	Clamp	*	56463610	1	Fuel Separator
36	56456833	2	Muffler Clamp	*	56463847	1	Gasket, Rocker Arm Cover
37	56456380	1	Exhaust Pipe	*	56463848	1	Gasket, Head
38	56165263	1	Plug				

* = Not Shown



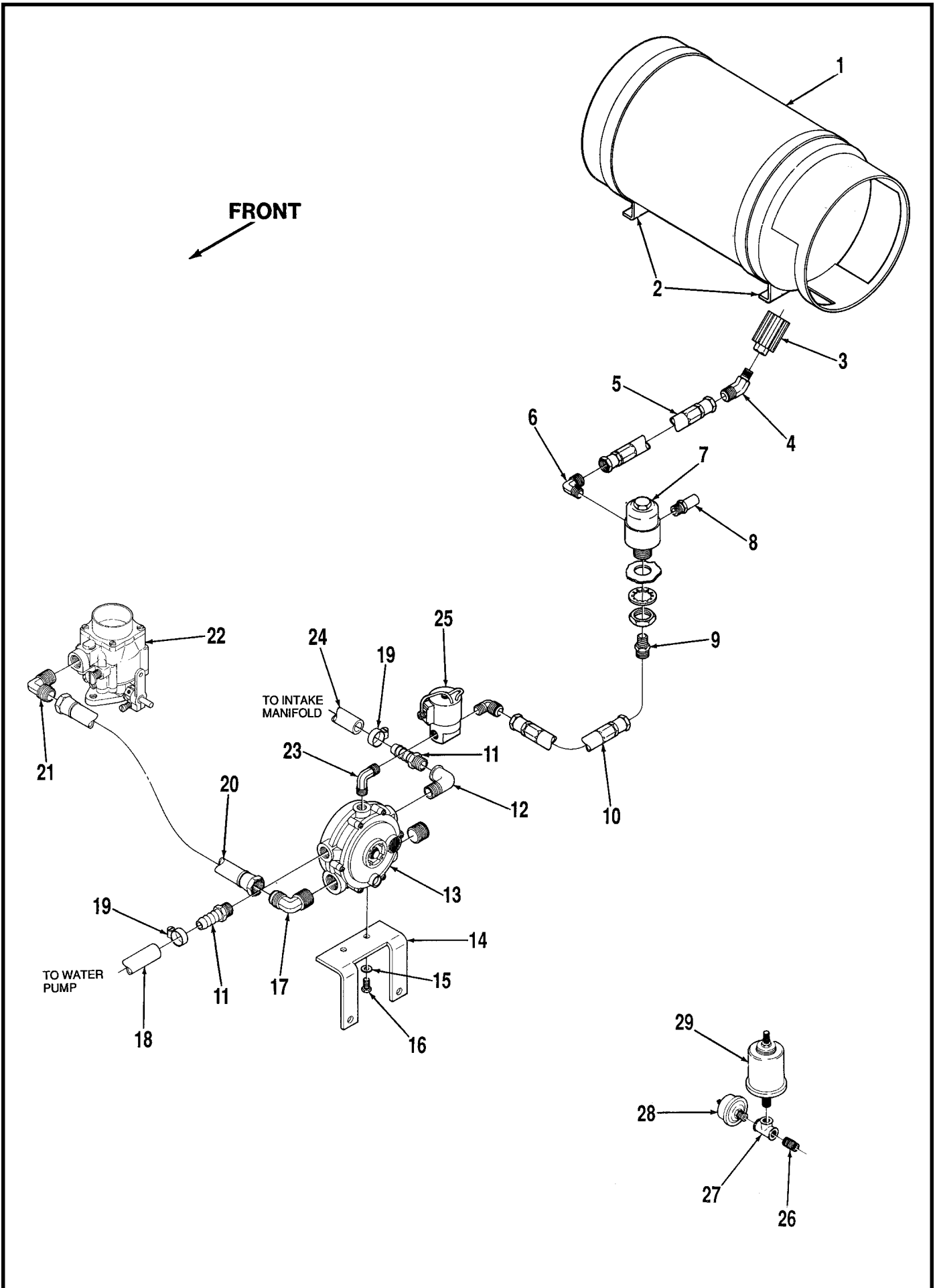
ENGINE ASSEMBLY (after SN 1203265)

Item	Part No.	Qty	Description	Item	Part No.	Qty	Description
1	56462873	1	Carburetor, Gas	44	56456833	2	Clamp, Muffler
2	56755930	2	Nut, Hex Machine M8	45	56456380	1	Exhaust Pipe
3	56002762	2	Scr, Soc Hd Blk M6-1.0 x 20mm		56455334	1	Muffler Assembly (# 46-55)
4	56459064	1	Hose	46	56463610	1	Separator, Fuel
5	56003174	2	Scr, Hex Hd M6-1.0 x 16mm	47	56459096	2	Mount
6	56462244	1	Adapter, Oil Drain	48	56002098	6	Wsh, Flt SAE 1/4
7	56455052	1	Gas Actuator Linkage Assy.	49	56001836	4	Scr, Hex Hd 1/4-20 x .62
	56455049	1	LP Actuator Linkage Assy. (refer to pages 17-18)	50	56456368	2	Clamp Weld't.
8	56462915	1	Module and Wiring Harness	51	56009179	2	Nut, Hex Machine 1/4-20
9	56462051	1	Engine, Gas	52	56002093	2	Scr, Hex Hd 1/4-20 x 1.00
	56459463	1	Engine Assembly, Gas	53	56459095	1	Muffler
	56462050	1	Engine, LP	*	56482496	1	Spark Arrestor (Optional)
	56459462	1	Engine Assembly, LP	54	56456374	1	Shield, Heat
10	56462054	1	Rear Engine Plate	55	56488002	1	O-Ring
11	56462063	1	Coupler	56	56002095	6	Scr, Hex Hd 3/8-16 x 1.50
12	56002667	6	Scr, Hex Hd 5/16-18 x .75	57	56462869	1	Starter Solenoid
13	56462083	1	Bell Housing	58	56462055	1	Starter Motor
14	56456923	1	Hose		56462868	1	Starter Assembly (# 57-58)
15	56900106	2	Elbow, 90°	59	56112771	2	Clamp, Hose
16	56456911	2	Hose	60	56456437	1	Hose
17	56479693	1	Hose	61	56457140	1	Bracket Weld't.
18	56900326	1	Elbow, 45°	62	56404274	1	Elbow, 3/8 x 90°
19	56900486	1	Adapter	63	56165263	1	Plug, Pipe 3/8
20	56900909	1	Elbow, 90°	64	56459047	1	Mount
21	56900117	1	Elbow, 90°	65	56002063	4	Wsh, Flt SAE 3/8
22	56497834	1	Pump, Hydraulic	66	56002663	5	Scr, Hex Hd 3/8-16 x 1.00
23	56002234	2	Scr, Hex Hd 3/8-16 x .62	67	56459034	1	Mount
24	56900114	1	Elbow, 90°	68	56478685	3	Rubber Mount
25	56462472	1	Sheave, Crankshaft	69	56002770	3	Nut, Hex Nyl Loc 1/2-13
26	56492675	1	Hose	70	56459035	1	Mount
27	56463608	1	Alternator	71	56001879	5	Wsh, Flt SAE 1/2
	56463607	1	Alternator Group (Includes brackets and belt)	72	56002983	3	Scr, Hex Hd 1/2-13 x 2.00
28	56001895	2	Scr, Hex Hd 1/2-13 x 1.00	*	56455811	1	Engine Wiring Harness
29	56900504	1	Nut	*	56455231	1	Controller (Governor)
30	56900462	1	Reducer	*	56462862	1	Oil Filter
31	56900304	1	Elbow, 90°	*	56462864	1	Water Pump
32	56496220	1	Hose	*	56462871	1	Fuel Pump
33	56900344	1	Tee	*	56462872	1	Fuel Pump Gasket
34	56455232	1	Carburetor Spacer Group	*	56478698	1	Oil Pressure Sender
35	56459191	1	Fan	*	56481888	1	Coolant Temperature Sender
*	56459190	1	Spacer, Fan	*	56463575	1	Spark Plug Wire Set
*	56462865	1	Fan Belt	*	56456392	1	Battery Tray
36	56456933	1	Hose	*	56441511	1	Battery, 12Vdc
37	56459464	1	Pump, Piston	*	56469193	1	Battery Hold Down W/Screw
38	56001831	2	Scr, Hex Hd 1/2-13 x 1.25	*	56459055	1	Battery Cable (Positive)
39	56462062	5	Scr, Soc Hd Blk M10-1.50 x 30	*	56456458	1	Battery Cable (Negative)
40	56001939	6	Wsh, Flt SAE 5/16	*	56372673	2	Boot, Battery
41	56462053	1	Gasket, Exhaust	*	56463847	1	Gasket, Rocker Arm Cover
42		2	Nut, M12-1.25	*	56463848	1	Gasket, Head
43	56459057	1	Exhaust Pipe	* = Not Shown			



FUEL TANK & BATTERY

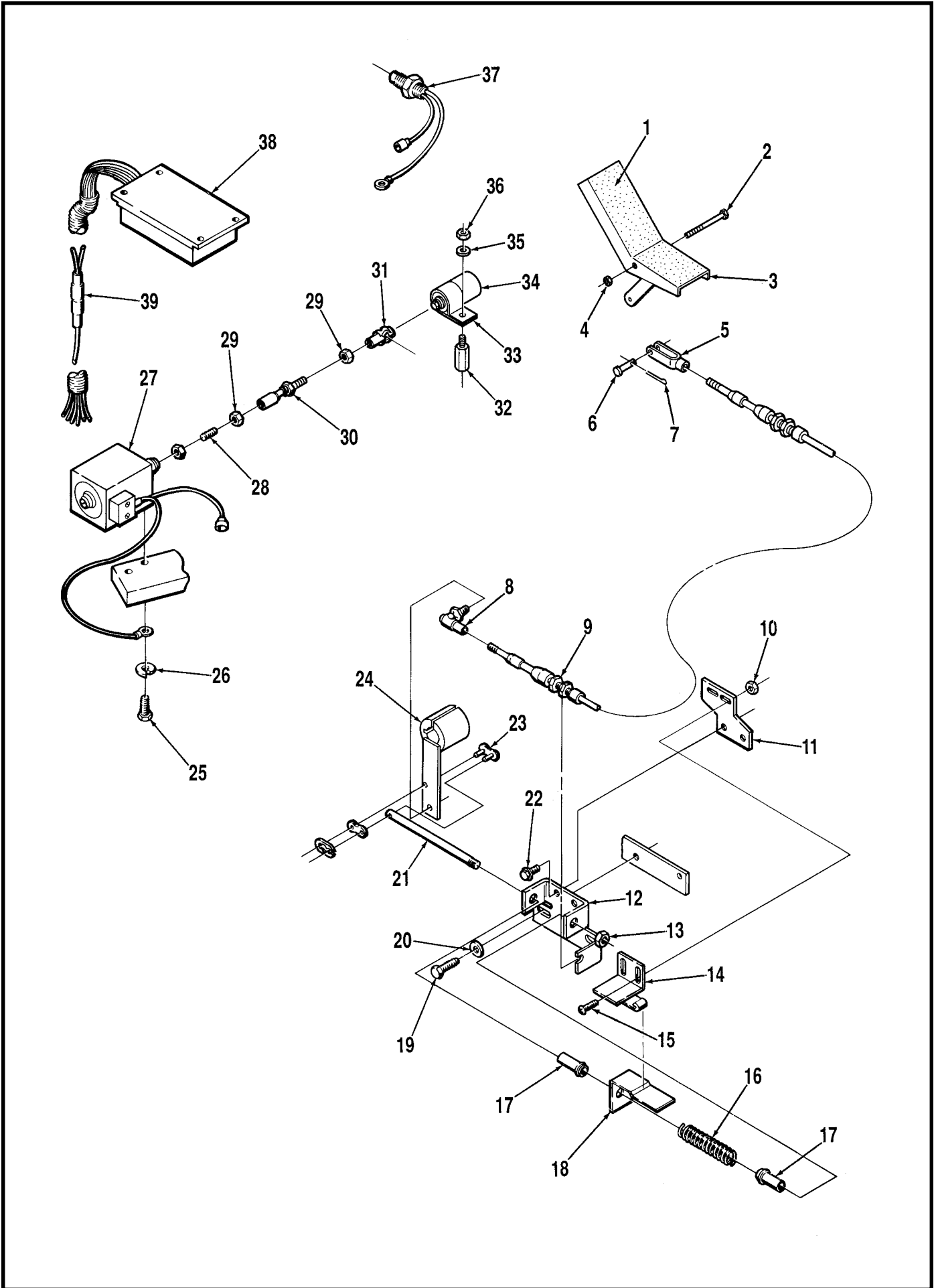
Item	Part No.	Qty	Description
1	56459055	1	Positive Cable
2	56372673	2	Battery Boot
3	56456458	1	Negative Cable
4	56469193	1	Battery Hold Down w/ Bolt
5	56441511	1	Battery, 12 VDC
6	56456392	1	Battery Tray
	56459111	1	Gas Tank Assembly (#7-15), Gas
7	56111295	1	Elbow
8	56477523	1	Barb
9	56219932	2	Hose Clamp
10	56459054	1	Fuel Line
11	56478502	1	Filler Cap
12	56025488	1	Decal, Gas
13	56478358	1	Fuel Level Sender
14	56459100	1	Fuel Tank
15	56481546	1	Plug



LP SYSTEM

Item	Part No.	Qty	Description
1	56456590	1	LP Tank
2	56481912	1	LP Bracket Set
3	56369675	1	Coupler
4	56456598	1	Elbow
5	56456591	1	Hose
6	56456608	2	Elbow
7	56456622	1	LP Filter w/ Washer & Nut
8	56456624	1	Vent
9	56456600	1	Adapter
10	56456593	1	Hose
11	56456436	2	Barb
12	56900021	1	Elbow
13	56456628	1	Regulator
14	56462059	1	Bracket
15		2	1/4 Washer
16		2	1/4-20 x 1/2 Screw
17	56456602	1	Elbow
18	56462070	1	Hose
19	56112771	4	Hose Clamp
20	56492203	1	Hose (before SN 1057347)
*	56456596	1	Hose, Push Lock (after SN 1057346)
21	56456604	1	Elbow (before SN 1057347)
*	56443972	1	Barb 1/2 x 3/8 (after SN 1057346)
22	56462060	1	Carburetor TSB 570 - G10
23	56456610	1	Elbow
24	56462069	1	Hose
25	56456626	1	Shut-Off Valve
26	56750746	1	Nipple
27	56752020	1	Tee
28	56493146	1	Pressure Switch
29	56478698	1	Oil Pressure Sender
*	56100026	1	Fuel Pump Block-Off Plate
*	56100027	1	Gasket for above

* = Not Shown

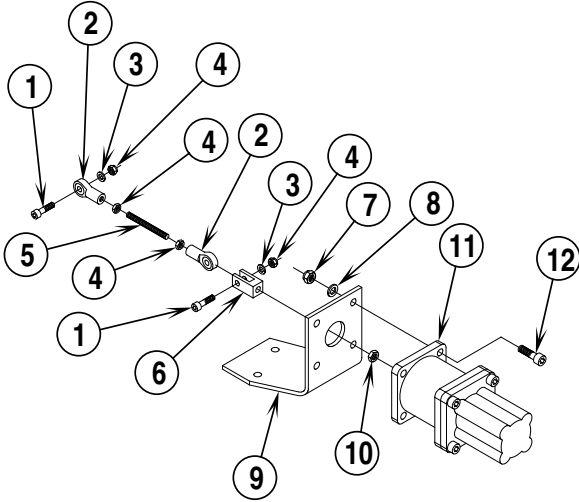


GOVERNOR & DRIVE PEDAL LINKAGE (before SN1203266)

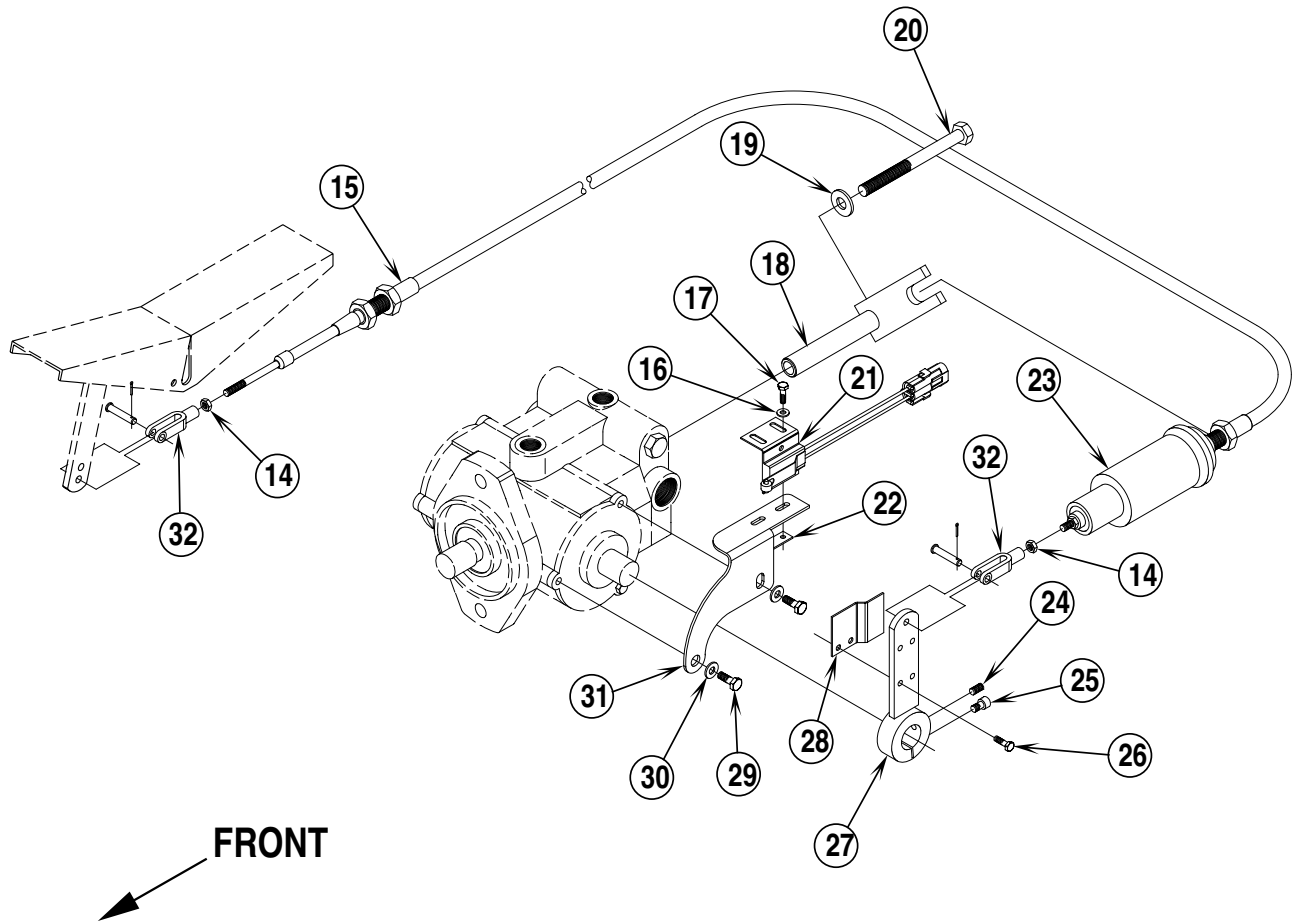
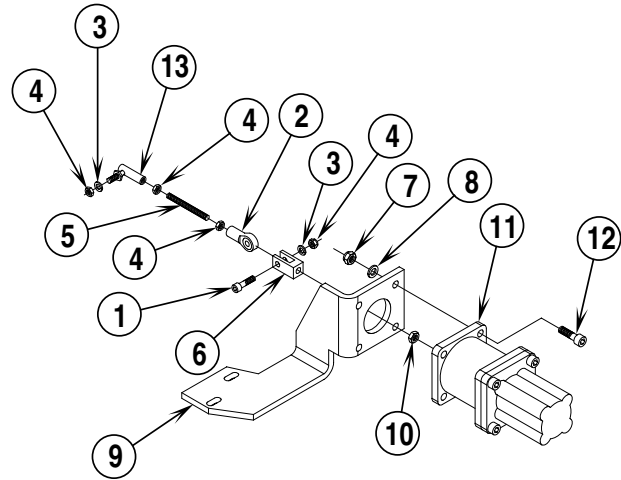
Item	Part No.	Qty	Description
1	56449958	1	Pedal Mat
2		1	1/4-20 x 3 Screw
3	56497313	1	Pedal
*	56756318	2	Pedal Bearing
4		1	1/4-20 Nut
5	56492543	1	Clevis w/ Pin
6	56493008	1	Pin
7		1	1/16 x 1/2 Cotter Pin
8	56488290	1	Rod End
9	56459252	1	Cable
10		2	#6-32 Nut
11	56462095	1	Bracket
12	56459050	1	Mount
13		1	3/8-16 Lock Nut
14	56462362	1	Switch
15		2	#6-32 x 1/2 Screw
16	56373869	1	Spring
17	56462088	2	Bushing
18	56462096	1	Actuator
19		2	1/4-20 x 3/4 Screw
20		2	1/4 Washer
21	56462087	1	Centering Shaft
22		2	1/4-20 x 1/2 Screw
23	56445096	1	Link
24	56459053	1	Arm
25		2	5/16-18 x 1 Bolt
26		2	5/16 Lock Washer
27	56484288	1	Actuator TSB 646 F-10 (before SN 1057347)
28	56484267	1	Rod
29		3	#10-32 Nut
30	56484287	1	Ball Joint
31	56100101	1	Ball Joint
32	56462881	1	Spacer
33	56462883	1	Clamp
34	56462882	1	Solenoid
35		1	1/4 Washer
36		1	M6 Nut
37	56484289	1	Governor Sensor
38	56484285	1	Electronic Governor TSB 597 - G7 / TSB 646 F-10
39	56459285	1	Resistor

* = Not Shown

5015P ACTUATOR ASSEMBLY (after SN 1057346)



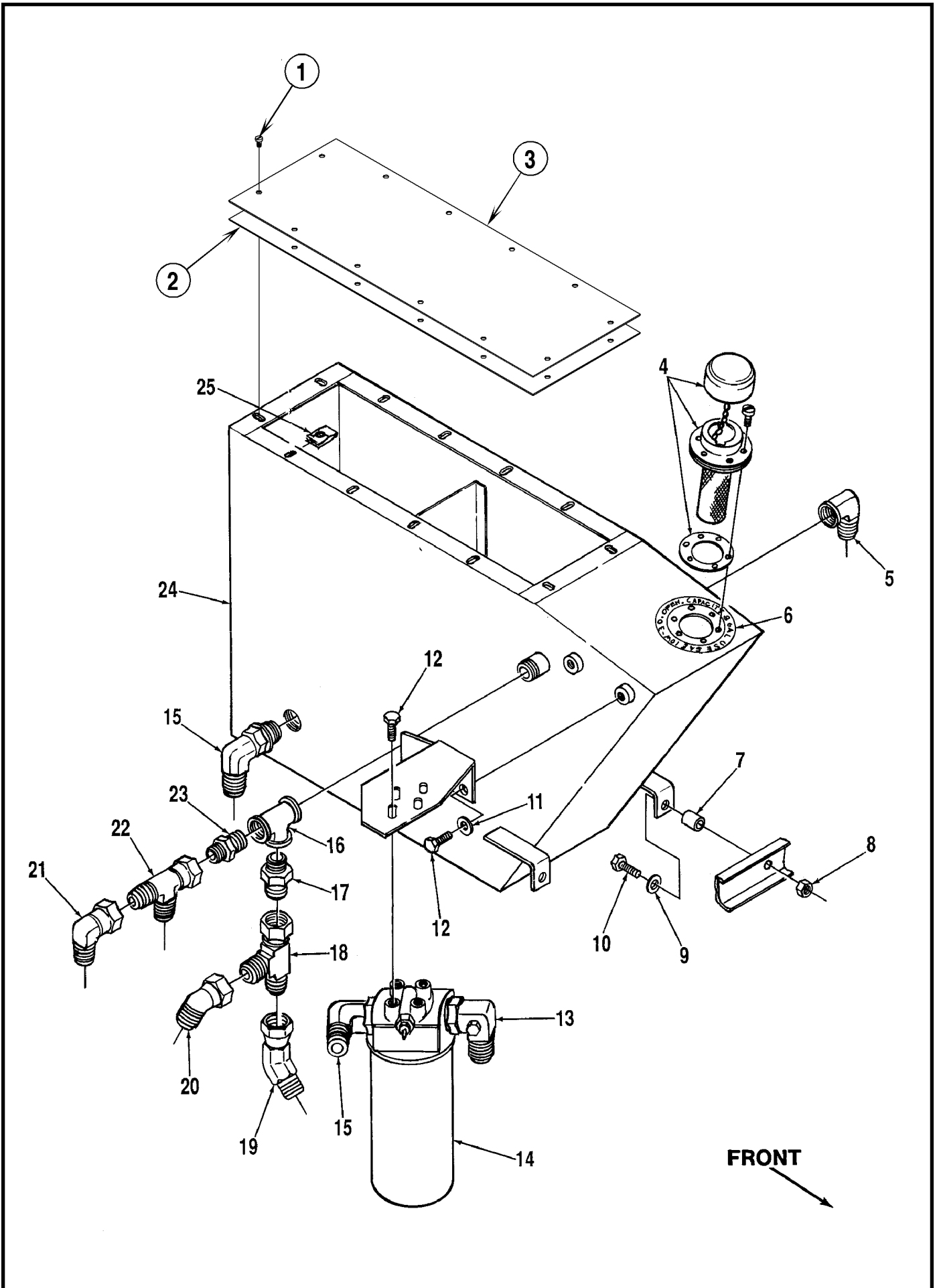
5015G ACTUATOR ASSEMBLY (after SN 1057346)



GOVERNOR & DRIVE PEDAL LINKAGE (after SN1203265)

Item	Part No.	Qty	Description
	56455049	1	Actuator / Linkage Assembly (5015P / Items 1-12) (after SN 1057346)
	56455052	1	Actuator / Linkage Assembly (5015G / Items 1-13) (after SN 1057346)
1	56455291	2	Scr, Pan Phil 10-32 x .75 (quantity of 1 on 5015G)
2	56455284	2	Rod End Bearing (quantity of 1 on 5015G)
3	56455287	2	Lock Washer #10
4	56455290	4	Nut, Hex Nyl Loc #10-32
5	56455286	1	Thd Rod 10-32 x 2.00
6	56455283	1	Clevis
7	56455289	4	Nut, Hex Nyl Loc 1/4-28
8	56455285	4	Lock Washer 1/4
9	56455228	1	Bracket, Actuator Mounting (5015P)
	56455001	1	Bracket, Actuator Mounting (5015G)
10	56455292	1	Nut, Hex M6-1.00
11	56455822	1	Actuator Assembly
12	56455288	4	Scr, Soc SS 1/4-28 x .87
13	56100101	1	Ball Joint (5015G)
14	56009142	2	Nut, Hex Machine 1/4-28
15	56459480	1	Cable
16	56001954	2	Wsh, Flt SAE #10
17	56002503	2	Scr, Hex Hd 10-24 x .50
18	56482676	1	Bracket Weld't.
19	56001879	1	Wsh, Flt SAE 1/2
20	56003071	1	Scr, Hex Hd 1/2-13 x 7.00
21	56462362	1	Switch
22	56324310	1	Nut Plate
23	56482539	1	Hydro-Back
24	56002119	1	Scr, Soc Set Loc 1/4-20 x .50
25	56002115	1	Scr, Soc Hd 1/4-20 x .50
26	56002834	2	Scr, Hex Hd 10-24 x .38
27	56482537	1	Pump Arm Weld't.
28	56459460	1	Actuator, Switch* NOTE
29	56002208	2	Scr, Hex Hd 3/8-16 x .50
30	56002063	2	Wsh, Flt SAE 3/8
31	56459459	1	Bracket, Switch* NOTE
32	56482542	2	Clevis Assembly (W / pin)

* **NOTE:** When replacement parts are ordered they will look different than those pictured at left, but will function the same.



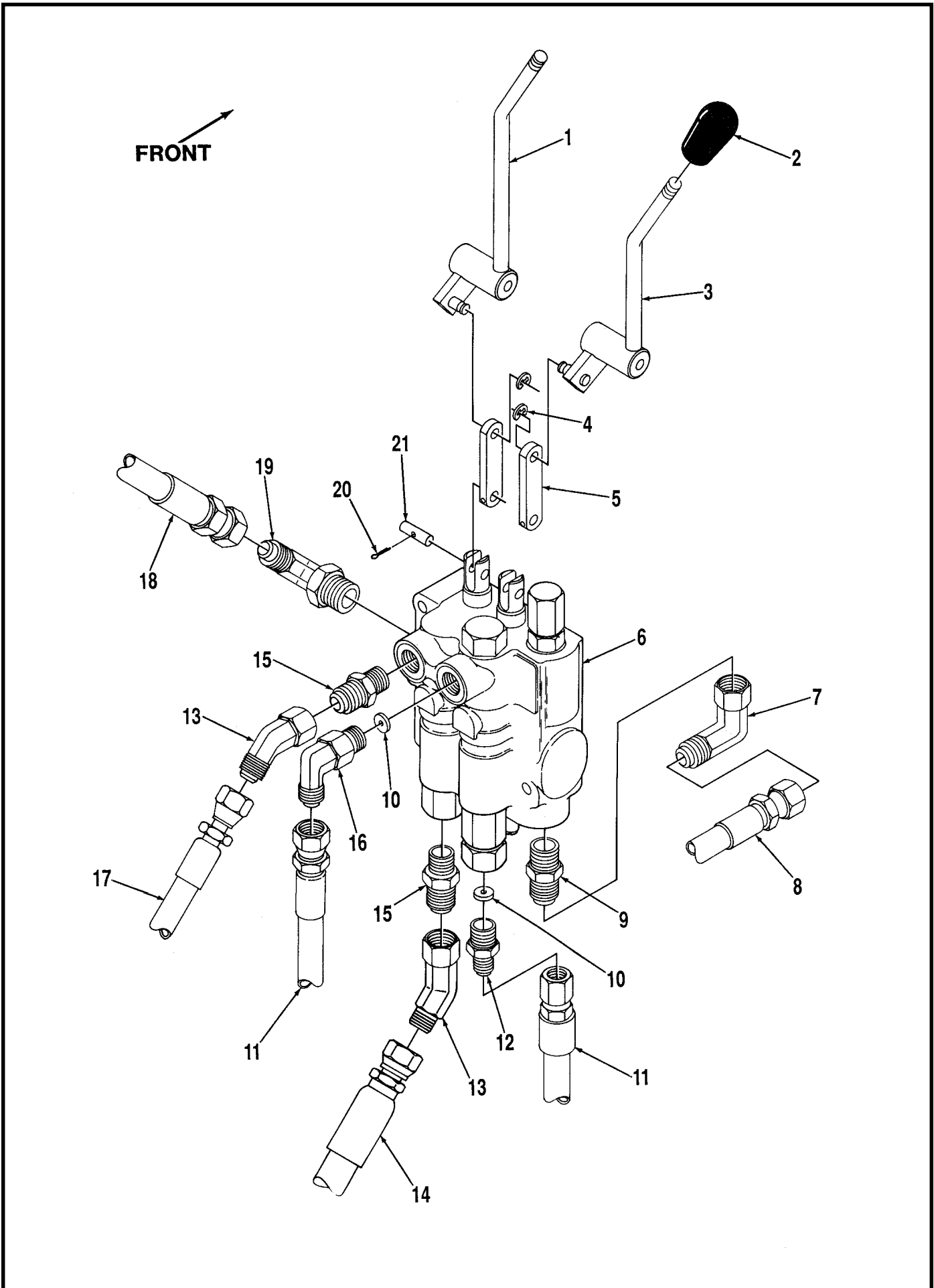
OIL RESERVOIR (before SN 1203266)

Item	Part No.	Qty	Description
	56459179	1	Hydraulic Oil Reservoir Assembly (#1-27)
1	56002508	12	Scr, Pan Hd 10-24 x .50
2	56459407	1	Gasket
3	56456768	1	Cover
4	56456758	1	Filler Cap w/ Screws
5	56900585	1	Elbow
6	56025490	1	Decal, Oil Fill
7	56398618	2	Bushing
8		2	5/16-18 Nut
9		2	5/16 Washer
10		2	5/16-18 x 1-1/2 Bolt
11		6	3/8 Washer
12	56003023	6	Scr, Hex Hd Loc 3/8-16 x .50
13	56900115	1	Elbow
14	56456449	1	Oil Filter Assembly
	56496209	1	Replacement Filter
15	56900106	2	Elbow
16	56479770	1	Tee
17	56456447	1	Check Valve
18	56900346	1	Tee
19	56900326	1	Elbow
20	56900306	1	Elbow
21	56900301	1	Elbow
22	56900341	1	Tee
23	56456938	1	Adapter
24	56456750	1	Hydraulic Tank
25	56328855	8	Spring Nut
*	56479732	1	Plug

* = Not Shown

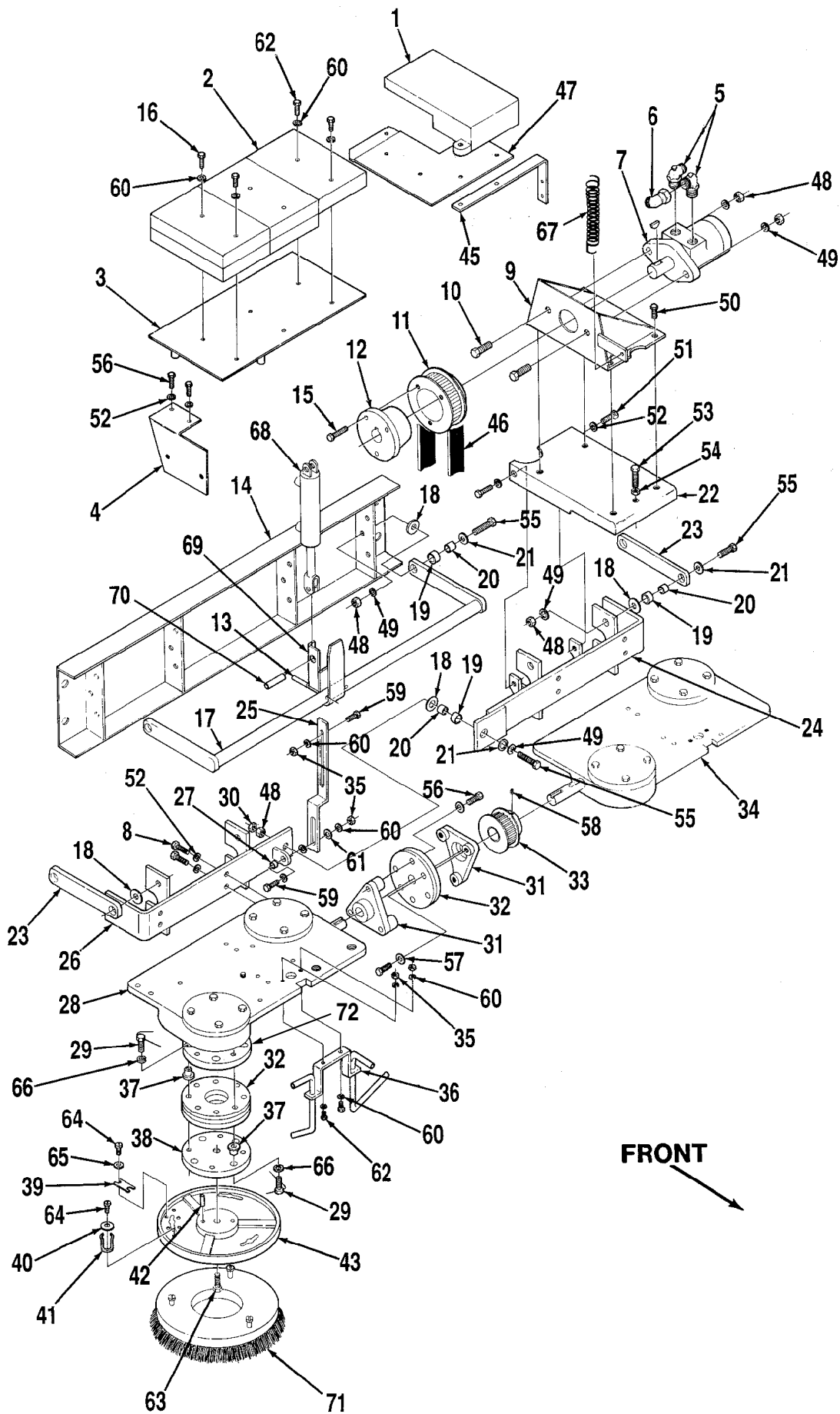
OIL RESERVOIR (after SN 1203265)

Item	Part No.	Qty	Description
	56459179	1	Hydraulic Oil Reservoir Assembly (# 1-17)
1	56479732	2	Plug
2	56328855	8	Nut, Spring 10-24
3	56456774	1	Bracket
4	56900115	1	Elbow 90°
5	56456449	1	Filter Assembly, Oil
	56496209	1	Replacement Filter Cartridge
6	56003023	4	Scr, Hex Hd Loc 3/8-16 x .50
7	56456750	1	Reservoir Weld't.
8	56456758	1	Cap, Filler
9	56456938	1	Adapter
10	56900341	1	Tee, Swivel Nut
11	56900585	1	Elbow 90°
12	56479770	1	Tee
13	56002508	12	Scr, Pan Hd 10-24 x .50
14	56459407	1	Gasket
15	56900106	2	Elbow 90°
16	56025490	1	Decal, Oil Fill
17	56900301	1	Elbow 90°
18	56456919	1	Hose
19	56479693	1	Hose
20	56496216	1	Hose
21	56456911	2	Hose
22	56496212	1	Hose



CONTROL VALVE ASSEMBLY

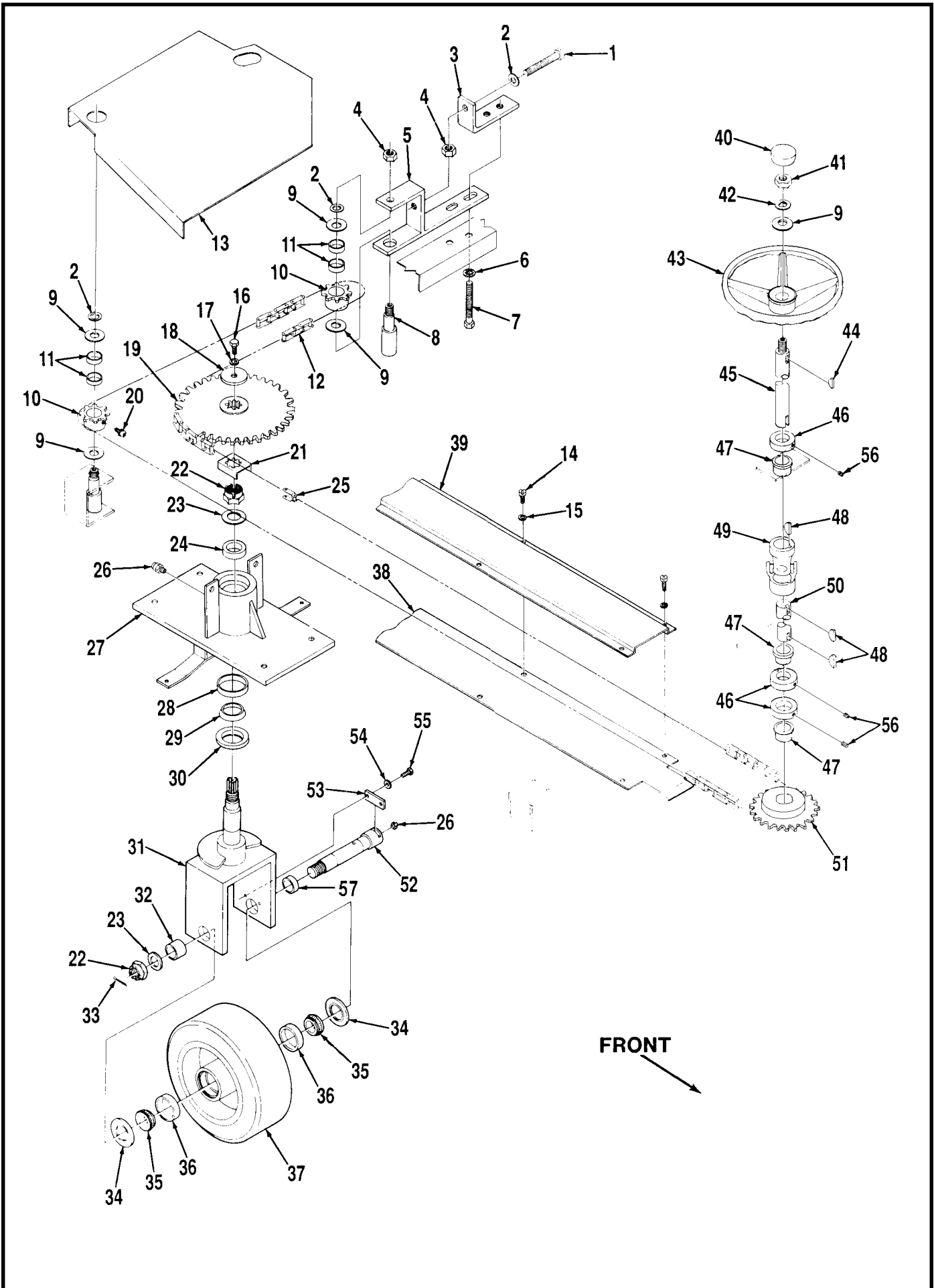
Item	Part No.	Qty	Description
1	56455664	1	Lever
2	56378574	2	Knob
	56459238	1	Control Valve Assembly (#3-21)
3	56455617	1	Lever
4	56321125	2	Retaining Ring
5	56455625	2	Linkage
6	56492196	1	Control Valve
7	56900304	1	Elbow
8	56456925	1	Hose
9	56900004	1	Connector
10	56456931	2	Orifice
11	56458672	2	Hose
12	56900011	1	Connector
13	56900324	2	Elbow
14	56496216	1	Hose
15	56900020	2	Adapter
16	56900110	1	Elbow
17	56480916	1	Hose
18	56462403	1	Hose TSB 722
19	56900104	1	Elbow
20	56001882	2	1/16 x 3/4 Cotter Pin
21	56455627	2	Pin



BRUSH DRIVE ASSEMBLY

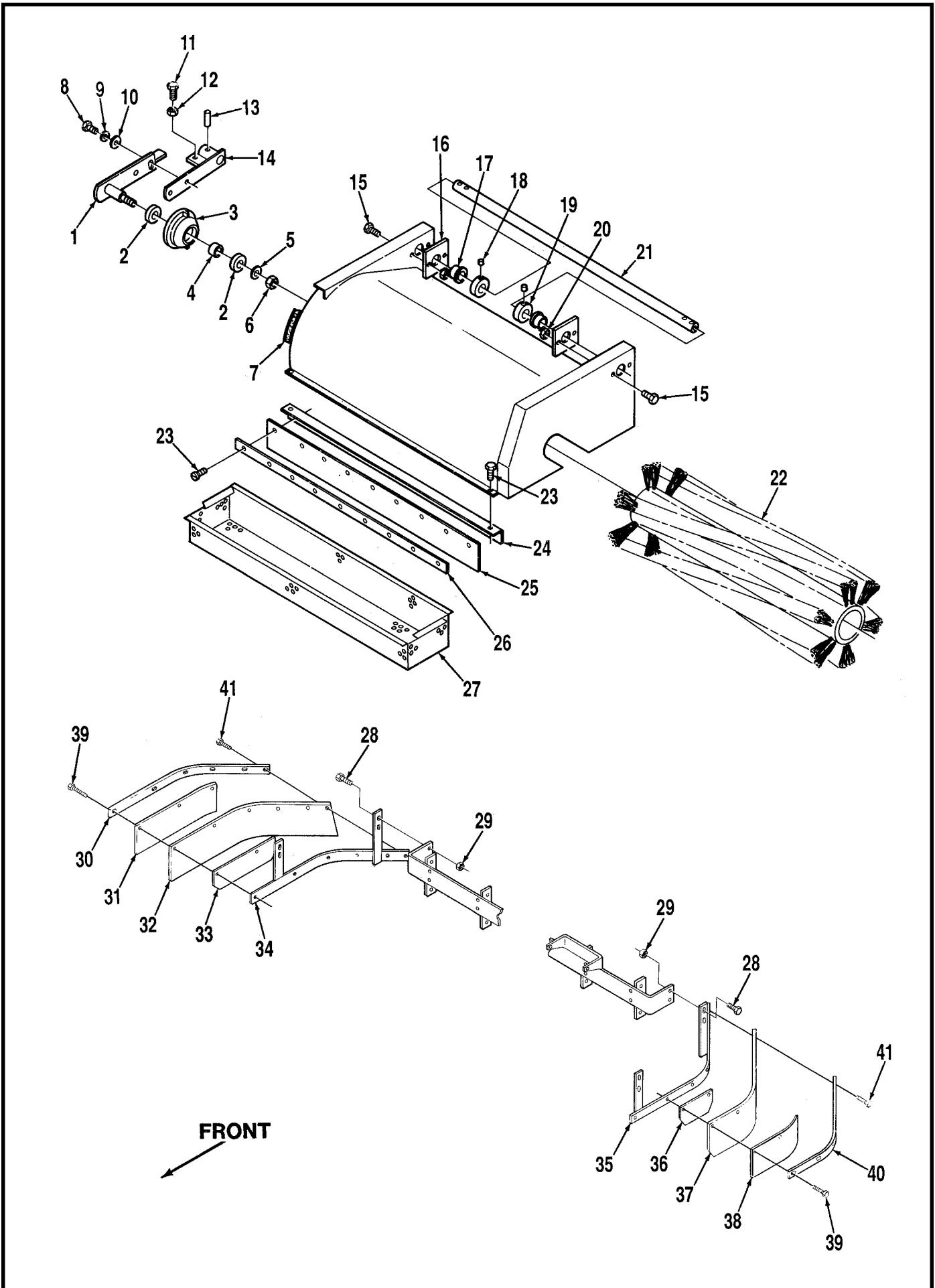
Item	Part No.	Qty	Description	Item	Part No.	Qty	Description
	56459251	1	Brush Drive Assembly (#1-66)	39	56366455	4	Plate
1	56455462	1	Weight	40	56151114	4	Washer
2	56453907	7	Weight	41	56366463	4	Spring Retainer
3	56456815	1	Bracket	42	56362077	8	Pin
4	56458860	1	Plate	43	56363189	4	Brush Holder
5	56900114	2	Elbow	45	56458854	1	Strap
6	56900324	1	Elbow	46	56455467	1	Belt
7	56479606	1	Brush Motor	47	56459240	1	Plate
**	56479577	1	Seal Kit (for #7)	48		21	1/2-13 Nut
8		8	3/8-16 x 1 Bolt	49		21	1/2 Lock Washer
9	56455530	1	Bracket	50		4	5/16-18 x 5/8 Bolt
10	56455542	2	Bolt	51		2	3/8-16 x 1/2 Bolt
11	56455455	1	Pulley	52		14	3/8 Lock Washer
12	56455458	1	Split Taper Bushing	53		1	5/16-18 x 2 Bolt
13		2	1/4 x 1-3/4 Pin	54		1	5/16-18 Nut
14	56455469	1	Bracket	55		19	1/2-13 x 1-1/2 Bolt
15		3	3/8-16 x 1-1/4 Bolt	56		8	3/8-16 x 1-1/2 Bolt
16		6	1/4-20 x 2-1/4 Screw	57		8	3/8 Washer
17	56455492	1	Bar	58		2	1/4-20 x 1/4 Set Screw
18	56367192	19	Washer	59		2	1/4-20 x 3/4 Screw
19	56367168	19	Bushing	60		18	1/4 Lock Washer
20	56367206	19	Bushing	61		2	1/4 Washer
21	56367214	35	Washer	62		6	1/4-20 x 1-1/4 Screw
22	56455569	1	Bracket	63		4	5/8-16 x 1-1/2 Bolt
23	56453909	8	Parallel Bar	64		12	#10-24 x 3/8 Screw
24	56458870	1	Left Bracket	65		8	#10 Lock Washer
25	56456825	1	Linkage	66		24	3/8 High Collar Lock Washer
26	56458872	1	Right Bracket	67	56448119	1	Spring
27	56368997	1	Bushing	68	56449748	1	Cylinder
28	56453850	1	Right Gear Case TSB 611 - G2	69	56455548	1	Yoke
29	56448271	24	Bolt	70	56455570	1	Cylinder Pin
30	56441236	19	Lock Nut	71	56505761	4	Magna-Grit 46 Brush
31	56455509	2	Universal Casting (before SN 0564261)	**	56505762	4	Dyna-Grit 80 Brush
				**	56505763	4	Aglite Grit 500 Brush
	56462527	2	Universal Casting (after SN 0564260)	**	56505764	4	Prolene Brush
				**	56505765	4	Prolite Brush
32	56104647	14	Disc	**	56505766	4	Union Mix Brush
33	56455454	1	Pulley (before SN 0564261)	**	56505767	4	MidGrit 240 Brush
	56462524	1	Pulley (after SN 0564260)	**	56505768	4	MidLite 180 Brush
34	56453855	1	Left Gear Case TSB 560 - G12 TSB 611-G2	**	56505760	4	Pad Holder
				**	56451123	1	Scarifier Kit
35		6	1/4-20 Nut	**	56451124	1	Grinding Kit
36	56455517	2	Solution Pipe	72	56455498	4	Coupler Upper
37	56448268	24	Bushing				
38	56448263	4	Coupler				

** = Optional Accessory



STEERING & SPINDLE ASSEMBLY

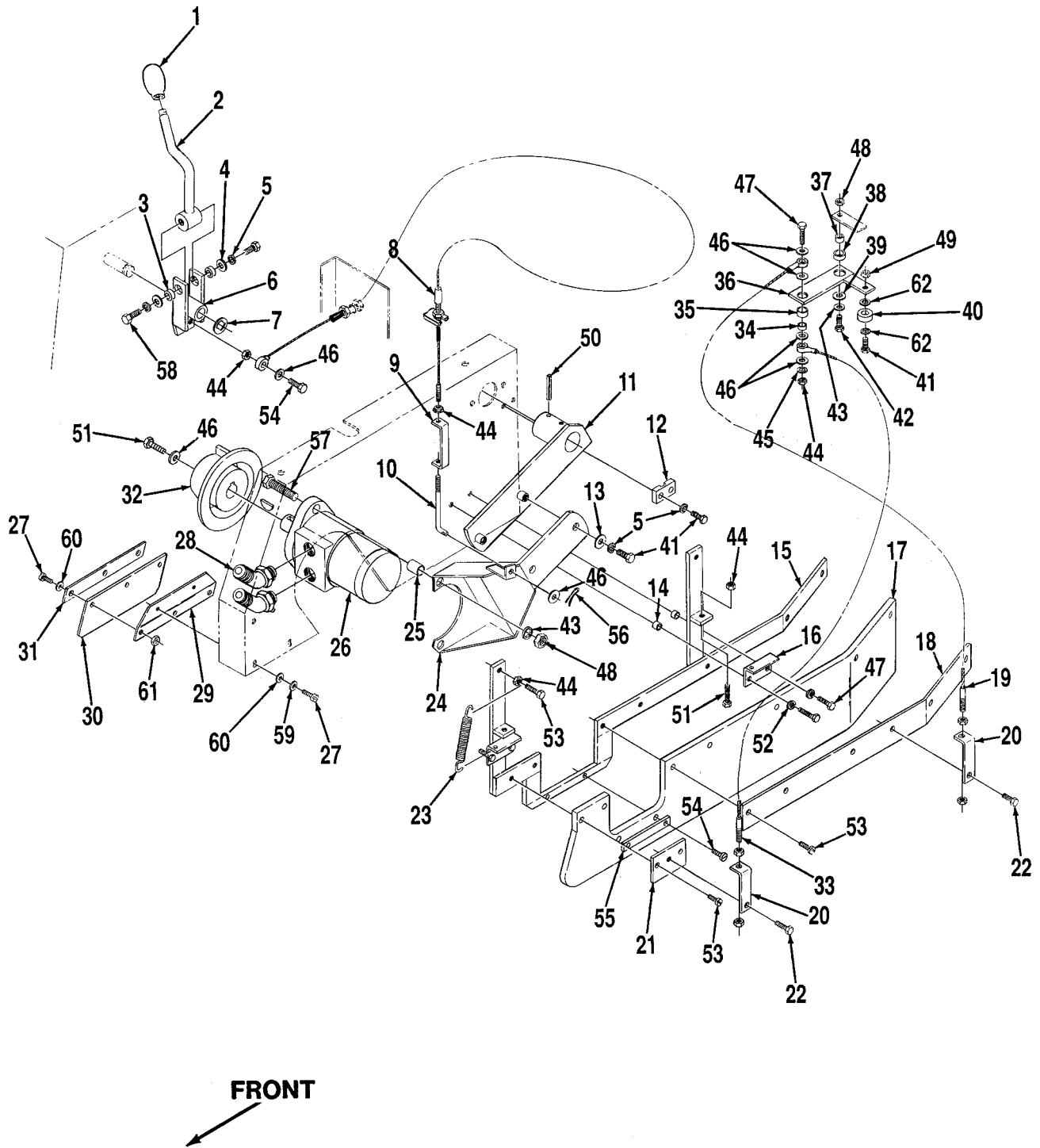
Item	Part No.	Qty	Description	Item	Part No.	Qty	Description
1		1	3/8-16 x 2-1/2 Bolt	30	56103845	1	Seal
2		3	3/8 Washer	31	56453552	1	Spindle TSB 712
3	56454118	1	Angle	32	56453561	1	Axle Bushing (right)
4		3	3/8-16 Jam Nut	33		1	1/8 x 1-1/8 Cotter Pin
5	56454121	1	Bracket		56453522	1	Wheel Assembly (#34-37)
6		2	5/16 Shakeproof Washer	34	56448169	2	Seal
7		2	5/16-18 x 2-3/4 Bolt	35	56448171	2	Bearing
8	56454109	2	Pin	36	56900073	2	Bearing Race
9		5	1/2 Washer	37	56453520	1	Wheel TSB 712
10	56454078	2	Sprocket	38	56456871	1	Chain Guard
11	56366633	4	Bearing	39	56456875	1	Chain Guard
12	56454100	1	Steering Chain	40	56449774	1	Steering Wheel Cap
13	56459178	1	Guard	41		1	1/2-20 Nut
14		8	#10-24 x 5/8 Screw	42		1	1/2 Shakeproof Washer
15		8	#10 Lock Washer	43	56477773	1	Steering Wheel TSB 649, F8
16		1	1/4-20 x 7/8 Screw	44	56154083	1	Woodruff Key
17		1	1/4 Lock Washer	45	56454093	1	Shaft
18		1	1/4 Washer	46	56367095	3	Collar
19	56453526	1	Sprocket	47	56250414	3	Bearing
20	56101737	2	Grease Fitting	48	56124028	3	Woodruff Key
21	56453542	1	Lock Tab	49	56454081	1	U-Joint
22	56110817	2	Castle Nut	50	56454096	1	Shaft
23		2	7/8 Washer	51	56454098	1	Sprocket
24	56378380	1	Ball Bearing	52	56453563	1	Axle TSB 712
25	56445118	1	Link	53	56453562	1	Retainer TSB 637, F-14
26	56344362	2	Grease Fitting	54		2	1/4 Lock Washer
27	56453558	1	Housing	55		2	1/4-20 x 3/4 Screw
28	56900074	1	Bearing Race	56		3	5/16-18 x 1/2 Set Screw
29	56101370	1	Bearing	57	56448167	1	Axle Bushing (left)



BROOM HOUSING & FRONT SKIRTS

Item	Part No.	Qty	Description
	56453760	1	Idler Assembly (#1-6)
1	56453750	1	Arm
2	56479430	2	Ball Bearing
3	56470636	1	Idler Lug
4	56470728	1	Bushing
5		1	3/4 Washer
6		1	3/4-10 Nut
7	56472091	1	Gasket
8		2	5/16-18 x 1 Bolt
9		2	5/16 Washer
10	56152781	2	Washer
11		2	3/8-16 x 2 Bolt
12		2	3/8-16 Nut
13		2	5/16 x 1-3/8 Pin
14	56453742	1	Lever
15		4	5/16-18 x 1-1/2 Bolt
16	56479273	2	Pillow Block
17	56444944	2	Bearing
18		2	5/16-18 x 3/8 Set Screw
19	56444820	2	Collar
20		4	5/16-18 Nut
21	56455251	1	Shaft
22	56505001	1	Main Broom
23		9	1/4-20 x 1/2 HP5 Screw
24	56459158	1	Angle
25	56459157	1	Skirt
26	56459156	1	Strap
27	56459244	1	Hopper
	56458878	1	Right Skirt Assembly (#28-34, 39, 41)
28		8	1/4-20 x 1 Screw
29		8	1/4-20 Nut
30	56458844	1	Strap
31	56458932	1	Back-Up Skirt
32	56458840	1	Skirt
33	56458936	1	Plate
34	56458850	1	Right Mount
	56458880	1	Left Skirt Assembly (#35-41, 28, 29)
35	56458852	1	Left Mount
36	56458934	1	Plate
37	56458928	1	Skirt
38	56458930	1	Back-Up Skirt
39		6	1/4-20 x 1-1/4 HP5 Screw
40	56458874	1	Strap
41		6	1/4-20 x 1 HP5 Screw
**	56458918	1	Front Blade Kit
**	56458920	1	Oil Resistant Front Blade Kit

** = Optional Kits contain one each of #31, 32, 37, 38

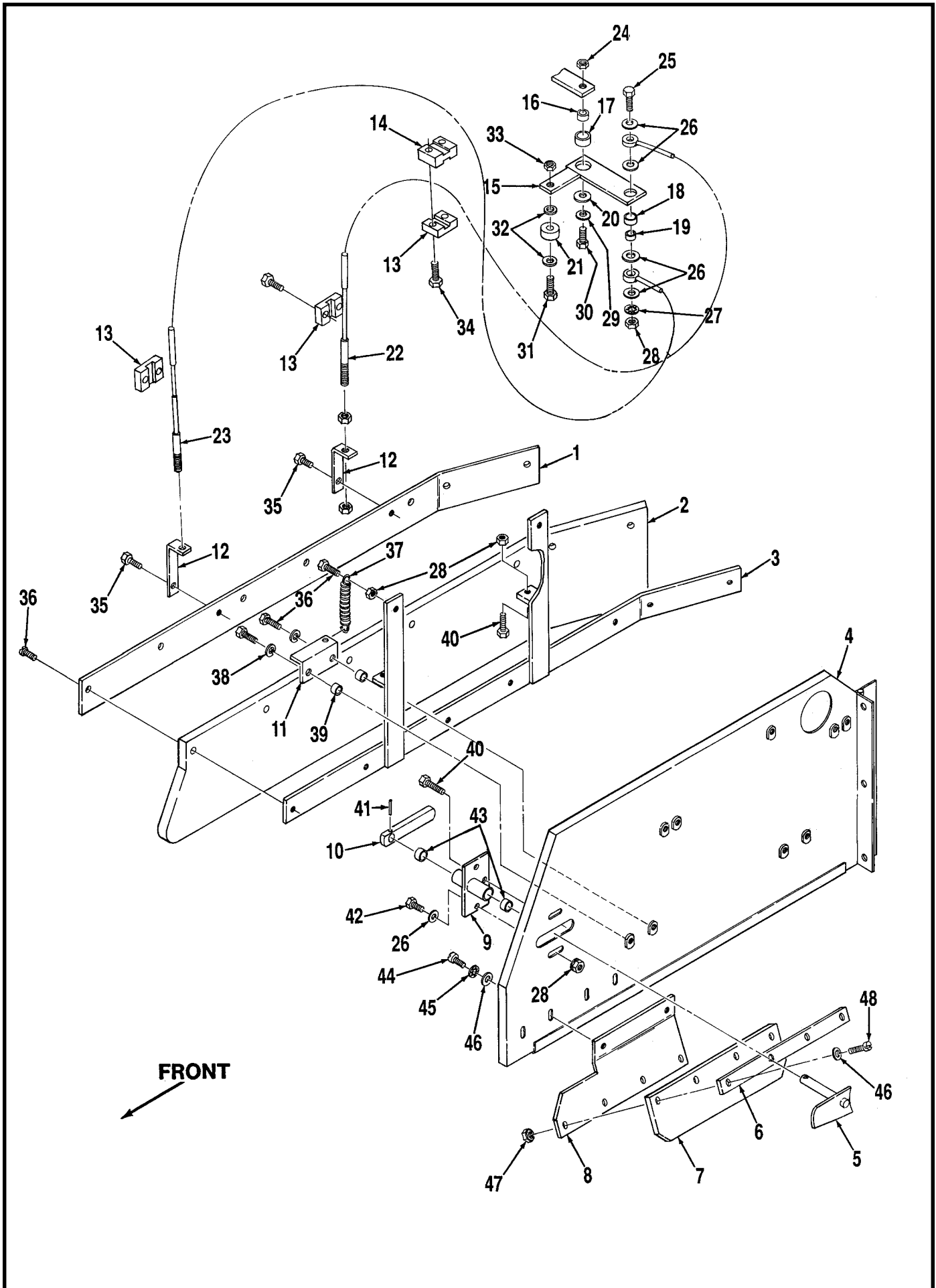


BROOM MOTOR & LEFT SKIRT

Item	Part No.	Qty	Description	Item	Part No.	Qty	Description
1	56364527	1	Knob	37	56365030	1	Bushing
2	56455640	1	Broom Lift Handle	38	56478781	1	Bearing
3	56320595	2	Bushing	39	56367214	1	Washer
4		4	5/16 Washer	40	56228051	1	Bearing TSB 630, G-1
5		8	5/16 Washer	41		7	5/16-18 x 1 Bolt
6	56455632	1	Broom Lift Lever	42		1	1/2-13 x 1-1/2 Bolt
7	56477775	1	Retaining Ring	43		3	1/2 Lock Washer
8	56454150	1	Broom Lift Cable	44		7	1/4-20 Nut
9	56454152	1	Turnbuckle	45		1	1/4 Shakeproof Washer
10	56350079	1	Linkage Rod	46		7	1/4 Washer
11	56455249	1	Lever	47		5	1/4-20 x 1-1/2 Screw
12	56477884	4	Cable Clamp	48		3	1/2-13 Nut
13	56152781	2	Washer	49		1	5/16-18 Nut
14	56453691	4	Spacer	50		2	5/16 x 1-3/8 Roll Pin
15	56458888	1	Bracket	51		3	1/4-20 x 1 Screw
16	56459173	2	Bracket	52		4	1/4 Lock Washer
17	56458896	1	Skirt	53		19	1/4-20 x 3/4 Screw
18	56458900	1	Strap	54		2	#10-24 x 3/4 Screw
19	56453845	1	Cable	55	56459257	1	Strap
20	56453831	2	Linkage	56		1	1/16 x 3/4 Cotter Pin
21	56458898	1	Strap	57		2	1/2-13 x 2 Bolt
22		2	1/4-20 x 3/8 Screw	58		2	5/16-18 x 3/4 Bolt
23	56370746	4	Spring	59		2	#10 Shakeproof Washer
24	56455239	1	Bracket	60		6	#10 Washer
25	56457734	2	Bushing	61		4	#10-24 Nut
26	56479606	1	Broom Motor				
*	56479577	1	Seal Kit for #26 (optional)				
27		6	#10-24 x 1/2 Screw	**	56458922	1	Side Skirt Kit
28	56900164	2	Elbow	**	56458924	1	Oil Resistant Side Skirt Kit
29	56453856	1	Plate				
30	56453865	1	Skirt				
31	56453862	1	Strap				
32	56455237	1	Hub				
33	56468460	1	Cable				
34	56453849	1	Bushing				
35	56368970	1	Bearing				
36	56453703	1	Lever				

** = Optional Kits – contain one each of Left and Right Skirts

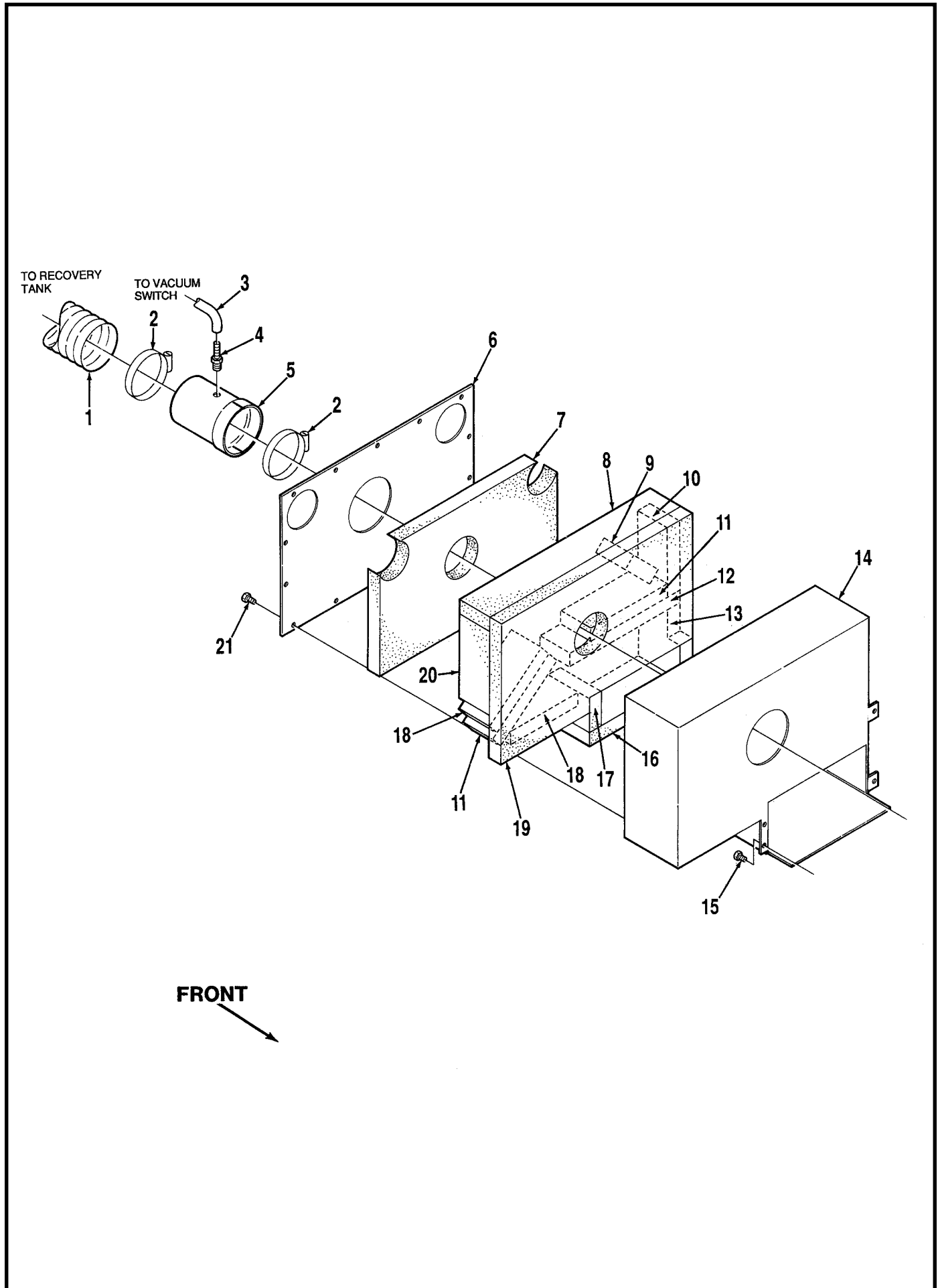
* = Not Shown



RIGHT SKIRT & DOOR

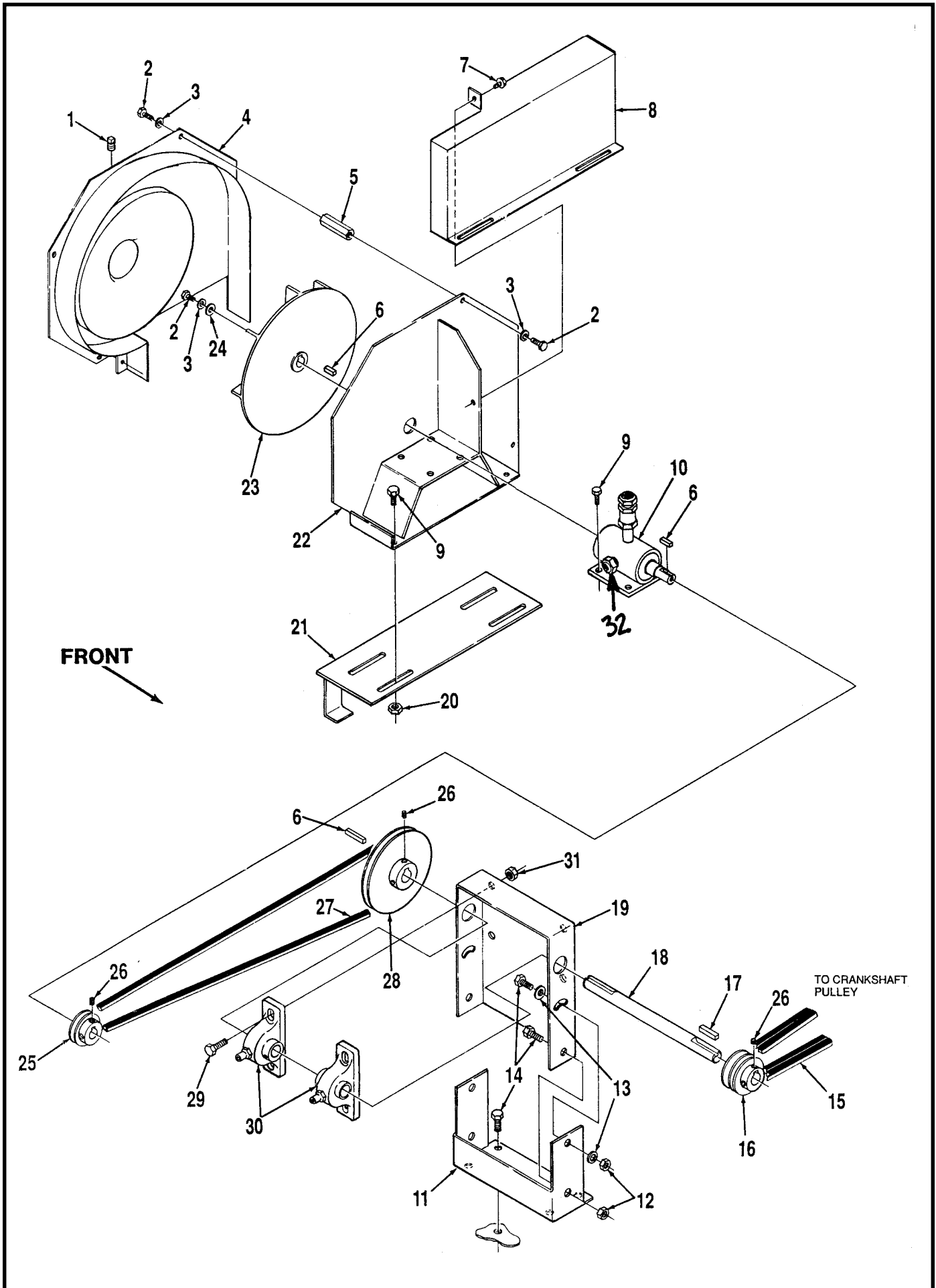
Item	Part No.	Qty	Description
1	56458904	1	Strap
2	56458908	1	Skirt
3	56458906	1	Bracket
4	56453676	1	Door
5	56453690	1	Latch
6	56453862	1	Strap
7	56459415	1	Skirt
8	56453854	1	Plate
9	56453680	1	Bracket
10	56479371	1	Handle
11	56459173	2	Bracket
12	56453831	2	Linkage
13	56477884	4	Cable Clamp
14	56453843	2	Cable Clamp
15	56453703	1	Lever
16	56365030	1	Bushing
17	56478781	1	Bearing
18	56368970	1	Bearing
19	56453849	1	Bushing
20	56367214	1	Washer
21	56228051	1	Bearing TSB 630, G-1
22	56453845	1	Cable
23	56468460	1	Cable
24		1	1/2-13 Nut
25		1	1/4-20 x 1-1/2 Screw
26		6	1/4 Washer
27		1	1/4 Shakeproof Washer
28		7	1/4-20 Nut
29		1	1/2 Lock Washer
30		1	1/2-13 x 1-1/2 Bolt
31		1	5/16-18 x 1-1/2 Bolt
32		2	5/16 Washer
33		1	5/16-18 Nut
34		6	5/16-18 x 1 Bolt
35		2	1/4-20 x 3/8 Screw
36		13	1/4-20 x 3/4 Screw
37	56370746	4	Spring
38		4	1/4 Lock Washer
39	56453691	4	Spacer
40		3	1/4-20 x 1 Screw
41		1	1/8 x 3/4 Pin
42		2	1/4-20 x 1/2 Screw
43	56491658	2	Bearing
44		2	#10-24 x 3/8 Screw
45		2	#10 Shakeproof Washer
46		6	#10 Washer
47		4	#10-24 Nut
48		4	#10-24 x 1/2 Screw
**	56458922	1	Side Skirt Kit
**	56458924	1	Oil Resistant Side Skirt Kit

** = Optional Kits contain one each of Left and Right Skirts



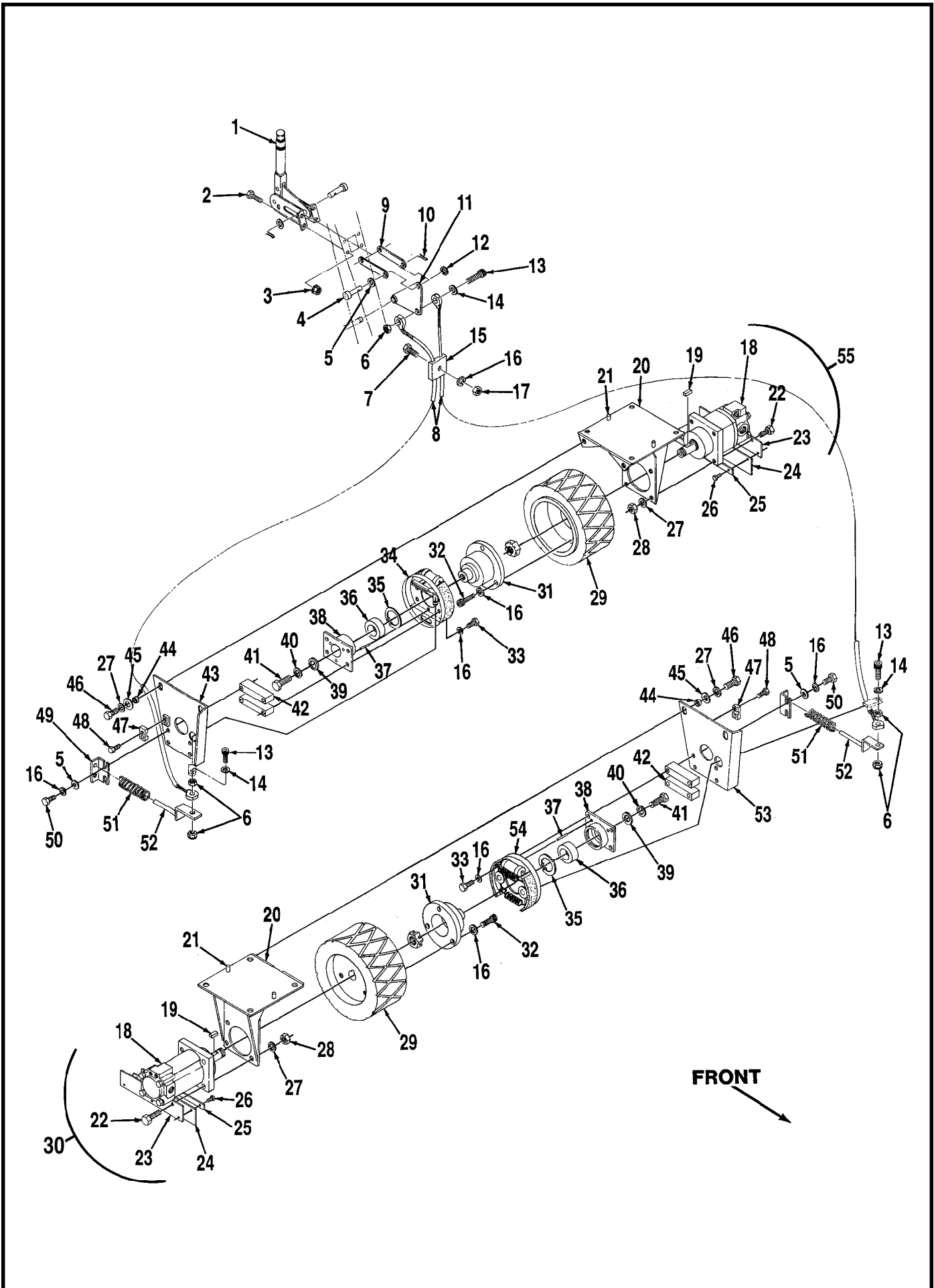
SOUND BOX ASSEMBLY

Item	Part No.	Qty	Description
1	56459256	1	Hose
2	56352829	2	Hose Clamp
3	56457098	1	Hose
4	56477522	1	Barb
5	56459159	1	Tube
	56459172	1	Sound Box Assembly (#6-21)
6	56459171	1	Cover
7	56458695	1	Foam
8	56458698	1	Foam
9	56458706	1	Foam
10	56458701	1	Foam
11	56458699	2	Foam
12	56458702	1	Foam
13	56458705	1	Foam
14	56459169	1	Muffler Box
15		4	#10-24 x 3/8 Screw
16	56458703	1	Foam
17	56458704	1	Foam
18	56458697	2	Foam
19	56458696	1	Foam
20	56458700	1	Foam
21		16	#10-24 x 1/2 Screw



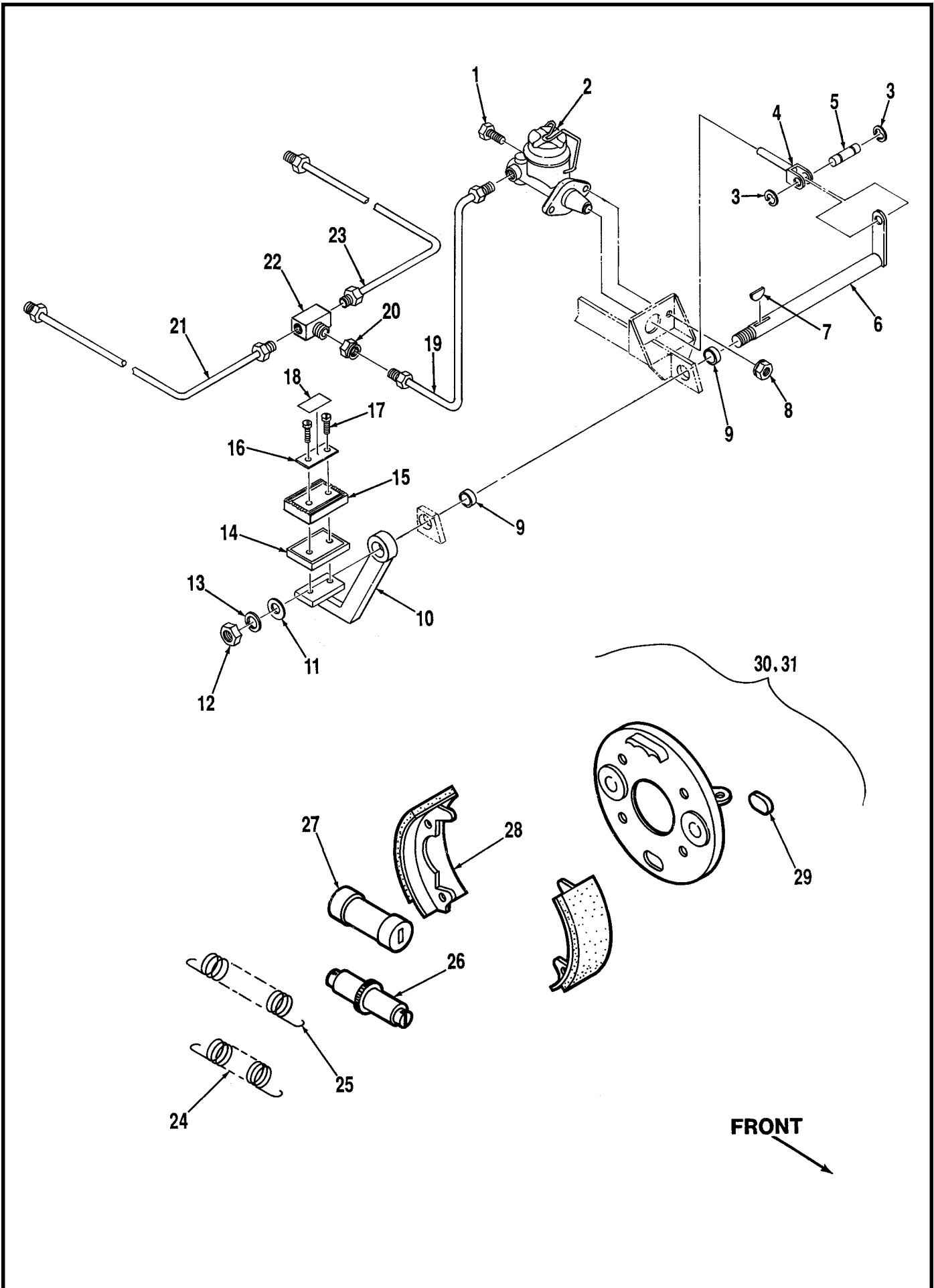
IMPELLER & JACKSHAFT

Item	Part No.	Qty	Description
1	56742477	1	Plug
2		9	1/4-20 x 5/8 Screw
3		9	1/4 Shakeproof Washer
4	56459395	1	Scroll
*	56463473	3'	Gasket (for Scroll)
5	56457339	4	Spacer
6	56740168	3	Key
7		3	#10-24 x 1/2 Screw
8	56458646	1	Guard
9		8	5/16-18 x 3/4 Bolt
10	56458676	1	Housing Assembly (includes #32) TSB 642, F-12
11	56458632	1	Bracket
12		4	3/8-16 Nut
13		4	3/8 Washer
14		8	3/8-16 x 3/4 Bolt
15	56458682	2	Belt (for machines w/o a belt tensioner)
	56458683	2	Belt (for machines with a belt tensioner) TSB 648, G11
16	56459161	1	Sheave
17	56443719	1	Key
18	56458638	1	Shaft TSB 648, G11
19	56458636	1	Mount TSB 648, G11
20		8	5/16-18 Nut
21	56458620	1	Bracket
22	56458602	1	Mount
23	56458622	1	Impeller
24	56454626	1	Washer
25	56458690	1	Sheave
26		6	5/16-18 x 5/16 Set Screw
27	56458684	1	Belt
	56459168	1	Jackshaft Assembly (#28-35,6,26)
28	56458688	1	Sheave
29		4	7/16-14 x 1-1/4 Bolt
30	56494506	2	Pillow Block TSB 648, G11
31		4	7/16-14 Nut
32	56458670	1	Sight Glass



FRONT DRIVE WHEELS

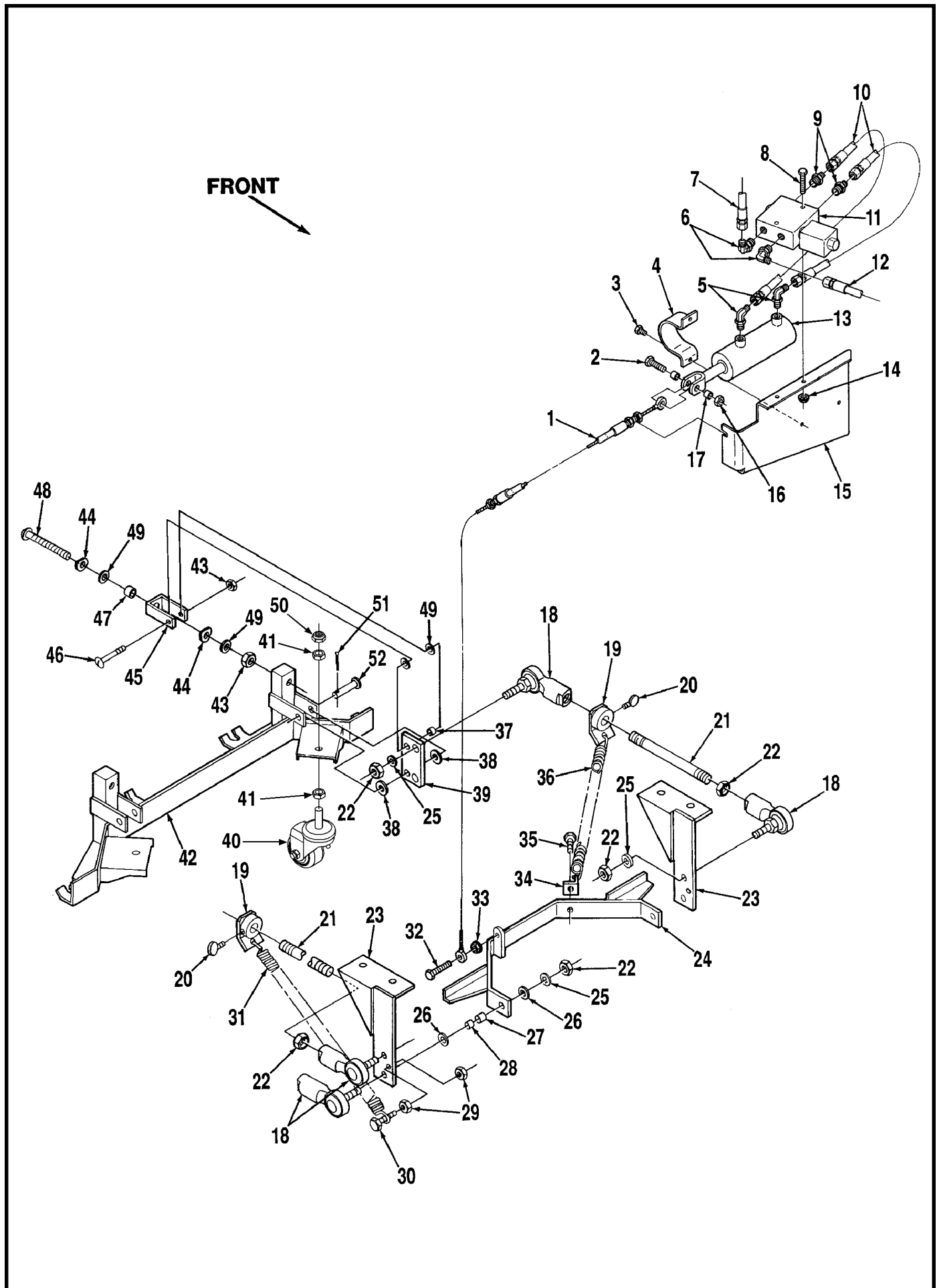
Item	Part No.	Qty	Description	Item	Part No.	Qty	Description
1	56448200	1	Brake Lever w/ Pin	30	56459177	1	Left Wheel Assembly
2		4	3/8-16 x 3/4 Bolt	31	56455348	2	Jackshaft
3		4	3/8-16 Nut	32		6	5/16-18 x 3/4 Cap Screw
4	56455357	1	Pin	33		8	5/16-18 x 3/4 Bolt
5		5	5/16 Washer	34	56477819	1	Right Stator Assembly
6		5	1/4-20 Nut	35	56456326	2	Retaining Ring
7		1	5/16-18 x 1 Bolt	36	56372773	2	Bearing
8	56455307	2	Cable	37	56469054	6	Pin
9	56455361	2	Bar	38	56455340	2	Bracket
10		1	1/16 x 3/4 Cotter Pin	39	56244832	2	Washer
11	56455353	1	Lever	40		2	3/8 Lock Washer
12	56321427	1	Retaining Ring	41		2	3/8-16 x 5/8 Bolt
13		3	1/4-20 x 1 Cap Screw	42	56455339	4	Bar
14		3	1/4 Washer	43	56455329	1	Right Bracket
15	56455359	1	Clamp	44	56367206	4	Bushing
16		23	5/16 Lock Washer	45	56367214	4	Washer
17		1	5/16-18 Nut	46		4	1/2-13 x 1-1/4 Bolt
18	56456902	2	Drive Motor	47	56477884	2	Clamp
19		2	5/16 x 1 Key	48		4	5/16-18 x 1/2 Bolt
20	56455319	2	Bracket	49	56455363	2	Bracket
21		4	3/8 x 3/4 Pin	50		8	5/16-18 x 5/8 Bolt
22		8	1/2-13 x 1-3/4 Bolt	51	56373869	2	Spring
23	56459155	2	Bracket	52	56455371	2	Bracket
24	56459153	2	Skirt	53	56455335	1	Left Bracket
25	56459154	2	Strap	54	56477822	1	Left Stator Assembly
26		6	1/4-20 x 3/4 Screw	55	56459176	1	Right Wheel Assembly
27		12	1/2 Washer				
28		9	1/2-13 Nut				
29	56455963	2	Wheel				
	56455960	2	Tire 14" X 10" X 4-1/2"				



BRAKE SYSTEM

Item	Part No.	Qty	Description
1		2	3/8-16 x 3/4 Bolt
2	56477828	1	Master Cylinder
3	56321427	2	Retaining Ring
4	56477909	1	Rod
5	56477902	1	Pin
6	56455347	1	Shaft
7	56124028	1	Woodruff Key
8		2	3/8-16 Nut
9	56370878	2	Bearing
10	56455341	1	Pedal
11	56367214	1	Washer
12		1	1/2-13 Nut
13		1	1/2 Lock Washer
14	56365083	1	Pedal Cup
15	56365082	1	Rubber Pad
16	56365081	1	Plate
17		2	1/4-20 x 3/4 Screw
18	56025122	1	Decal, Brake
19	56456845	1	Brake Line
20	56477831	1	Connector
21	56456843	1	Brake Line
22	56477832	1	Tee
23	56456841	1	Brake Line
24	56480396	2	Adjuster Spring
25	56480394	2	Shoe Return Spring
26	56480398	2	Adjuster
27	56480380	1	Left Wheel Cylinder
*	56480378	1	Right Wheel Cylinder
28	56477838	2	Brake Shoes (Set of 2)
29	56480400	2	Plug
30	56477819	1	Right Stator Assembly
31	56477822	1	Left Stator Assembly

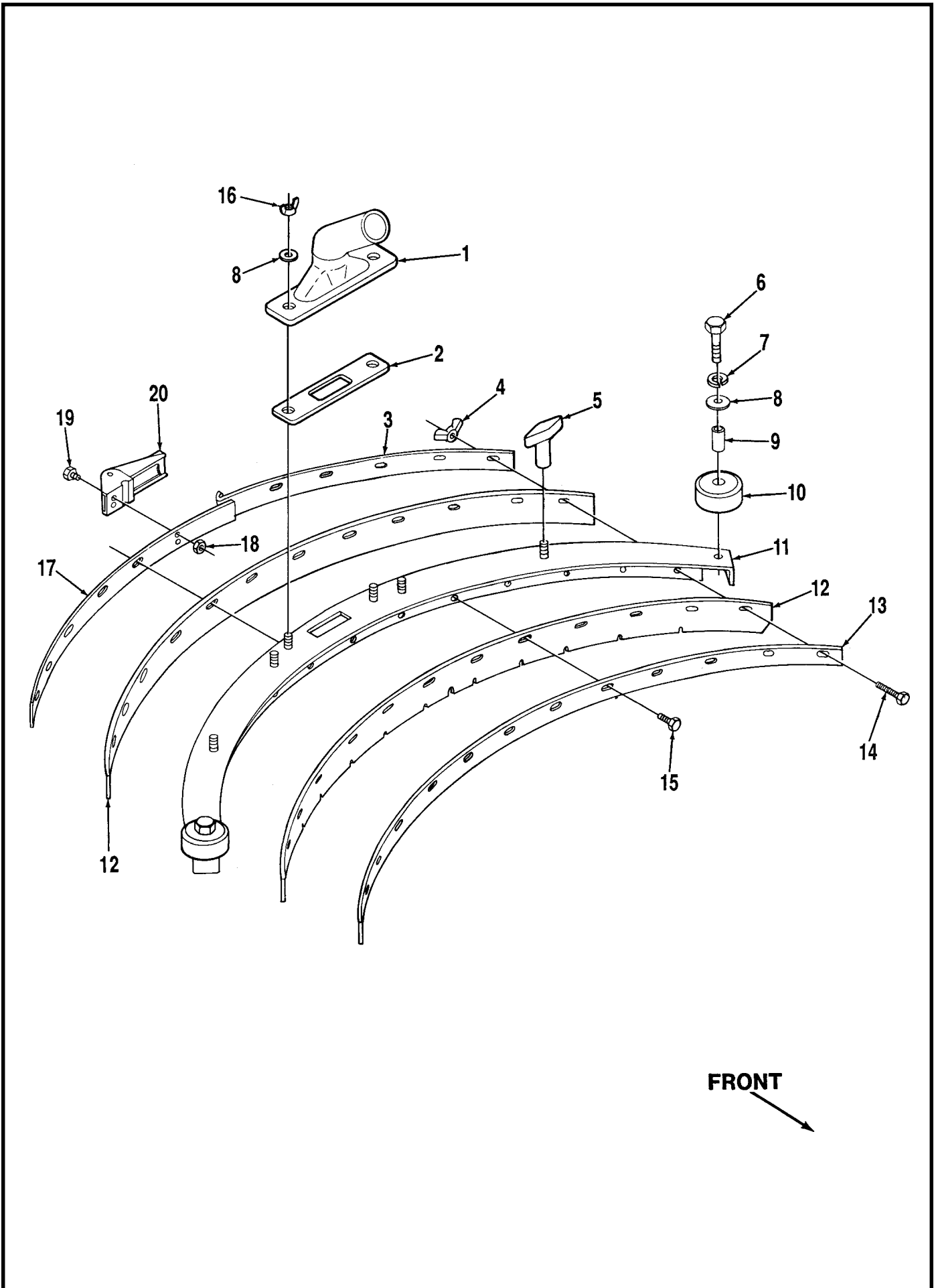
* = Not Shown



SQUEEGEE MOUNT & LIFT

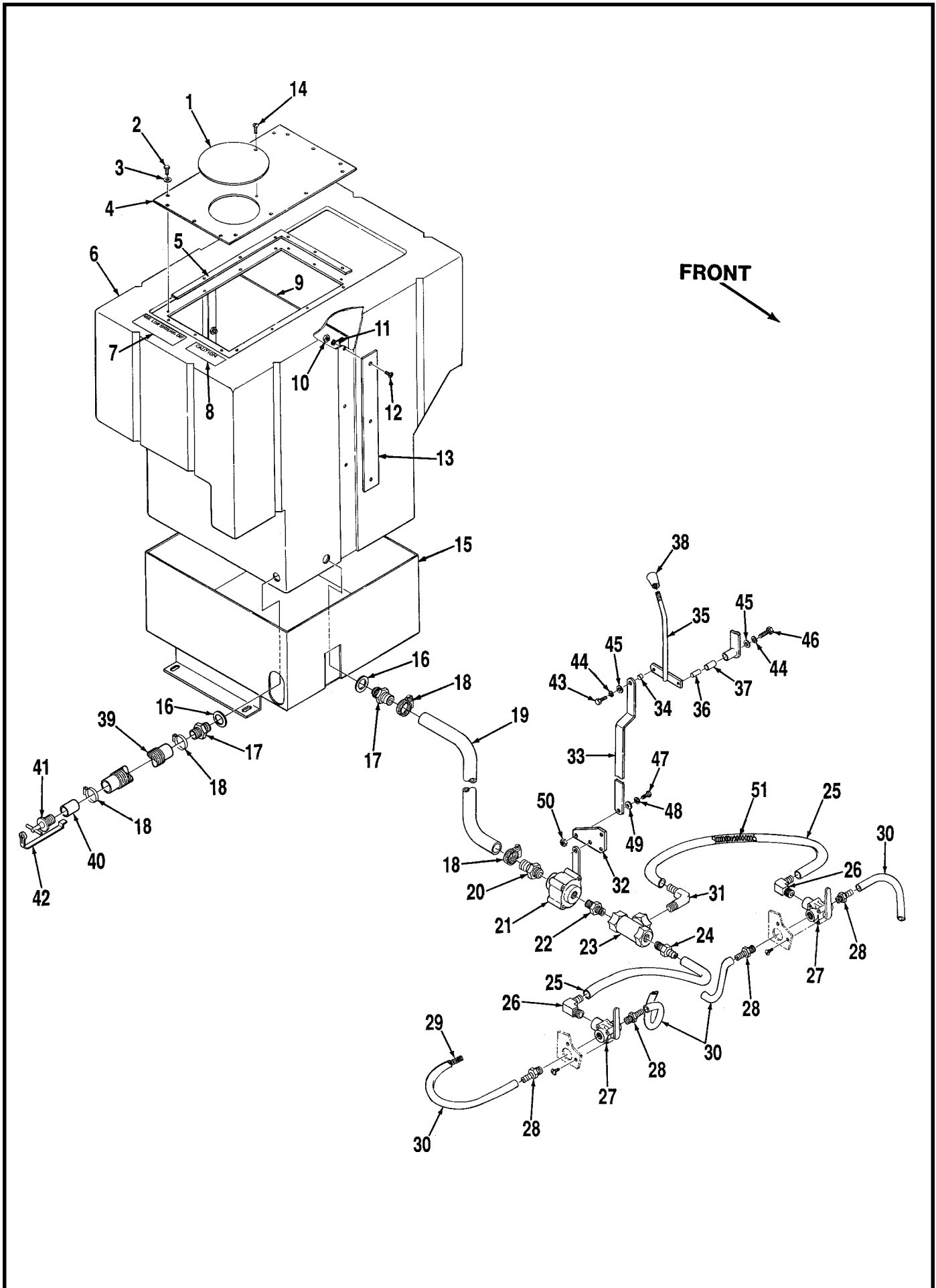
Item	Part No.	Qty	Description	Item	Part No.	Qty	Description
	56459166	1	Actuator Assembly (#1-17)	31	56448112	2	Spring
1	56459162	1	Cable	32		1	1/4-20 x 2 Screw
2		1	3/8-16 x 1-3/8 Bolt	33		1	1/4-20 Whiz Nut
3		4	1/4-20 x 1/2 Screw	34	56482208	1	Tab
4	56459164	2	Strap	35		1	1/4-20 x 3/4 Screw
5	56900101	2	Elbow	36	56358560	2	Spring
6	56900110	2	Elbow	37	56366862	2	Bushing
7	56496212	1	Hose	38	56150142	4	Washer
8		2	1/4-20 x 1-3/4 Screw	39	56459092	2	Plate
9	56900011	2	Connector	40	56407344	2	Caster (See Note #1)
10	56492676	2	Hose	41	56009016	4	Nut, Hex Jam 1/2-13 (See Note #1)
11	56459236	1	Control Valve	42	56459091	1	Mount
12	56492675	1	Hose	43		4	1/4-20 Nut
13	56459163	1	Cylinder	44	56163880	4	Spring Washer
14		2	1/4-20 Whiz Nut	45	56454285	2	Yoke
15	56459165	1	Mount	46		2	1/4-20 x 1-1/2 Screw
16		1	3/8-16 Nut	47	56206784	2	Bushing
17	56388326	2	Bushing	48		2	1/4-20 x 2-1/4 Screw
	56459093	1	Mount Assembly (#18-52)	49		12	1/4 Washer
18	56477813	8	Ball Joint	50	56002843	2	Nut Hex Nyl Loc-Thin 1/2-13 (See Note #1)
19	56454276	2	Collar				
20	56754374	2	Thumb Screw	51		2	3/32 x 1-1/4 Cotter Pin
21	56454273	4	Rod	52	56487989	2	Pin
22		16	1/2-20 Nut				
23	56456783	2	Bracket				
24	56458818	1	Lifter				
25		8	1/2 Lock Washer				
26	56367214	4	Washer				
27	56491656	2	Bearing				
28	56360627	2	Bushing				
29		2	1/4-20 Jam Nut				
30		2	1/4-20 x 1 Screw				

Note #1: The original caster had a threaded shaft of 3/8", this caster (56407344) has a 1/2" diameter shaft. When replacing a caster you will need to order 1/2" nuts (**41 & 50**). The holes in (**42**) Mount will have to be drilled out to a diameter of 1/2" to accommodate the new casters. Replace both casters together if replacing a caster with a 3/8" shaft.



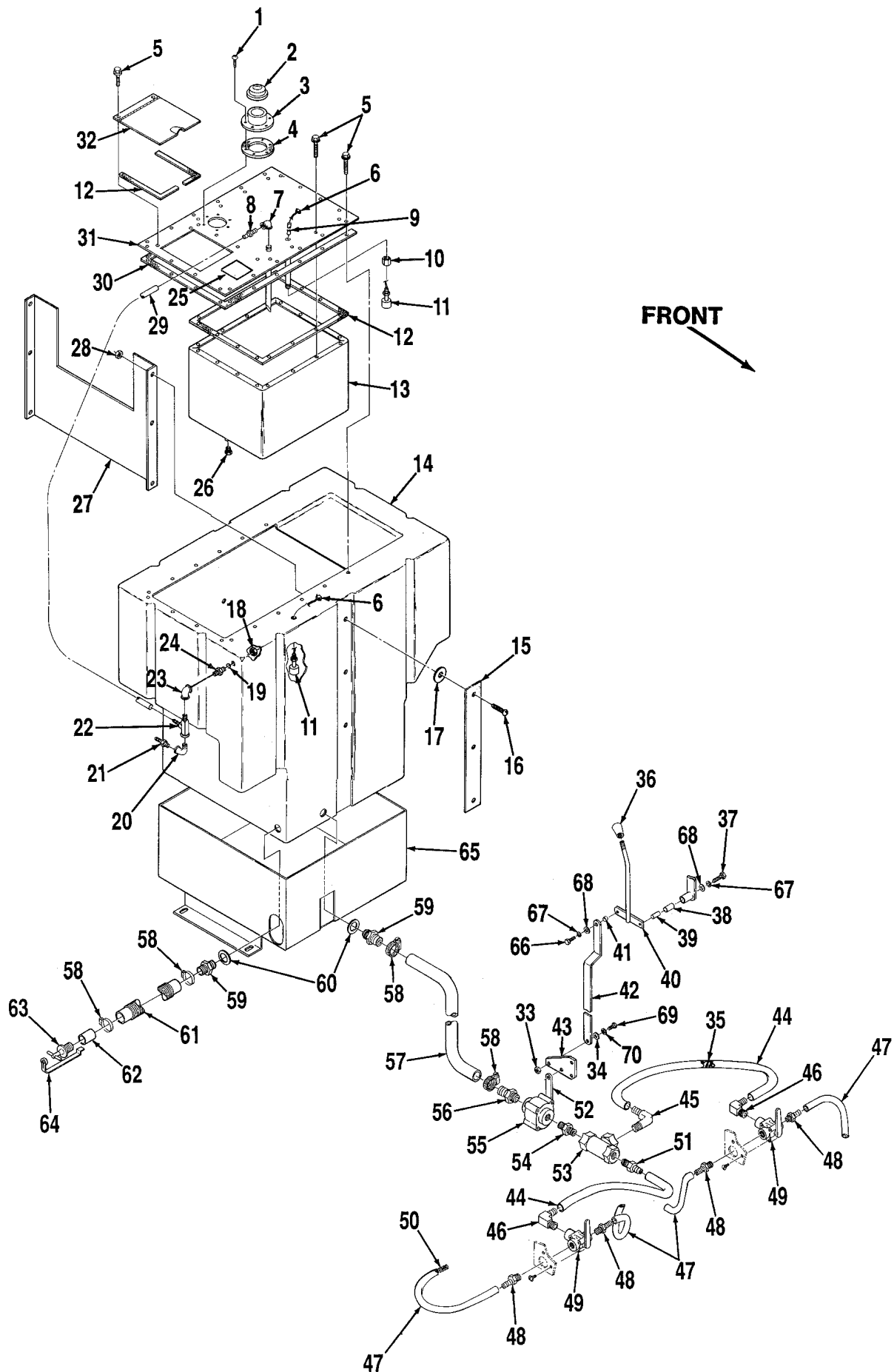
SQUEEGEE

Item	Part No.	Qty	Description
	56459110	1	Squeegee Assembly (#1-20)
1	56459102	1	Adapter
2	56459281	1	Gasket
3	56458812	1	Strap
4	56201677	2	Wing Nut
5	56370711	4	Thumb Screw
6		2	5/16-18 x 2 Bolt
7		2	5/16 Washer
8	56385358	4	Washer
9	56454249	2	Bushing
10	56386127	2	Wheel
11	56459109	1	Tool
12	56459297	1	Squeegee Blade Kit
13	56458810	1	Strap
14		2	1/4-20 x 1-1/2 Screw
15		11	1/4-20 x 1/2 Screw
16		2	5/16-18 Wing Nut
17	56458814	1	Strap
18		2	#6-32 Nut
19		2	#6-32 x 5/16 Screw
20	56471194	1	Latch



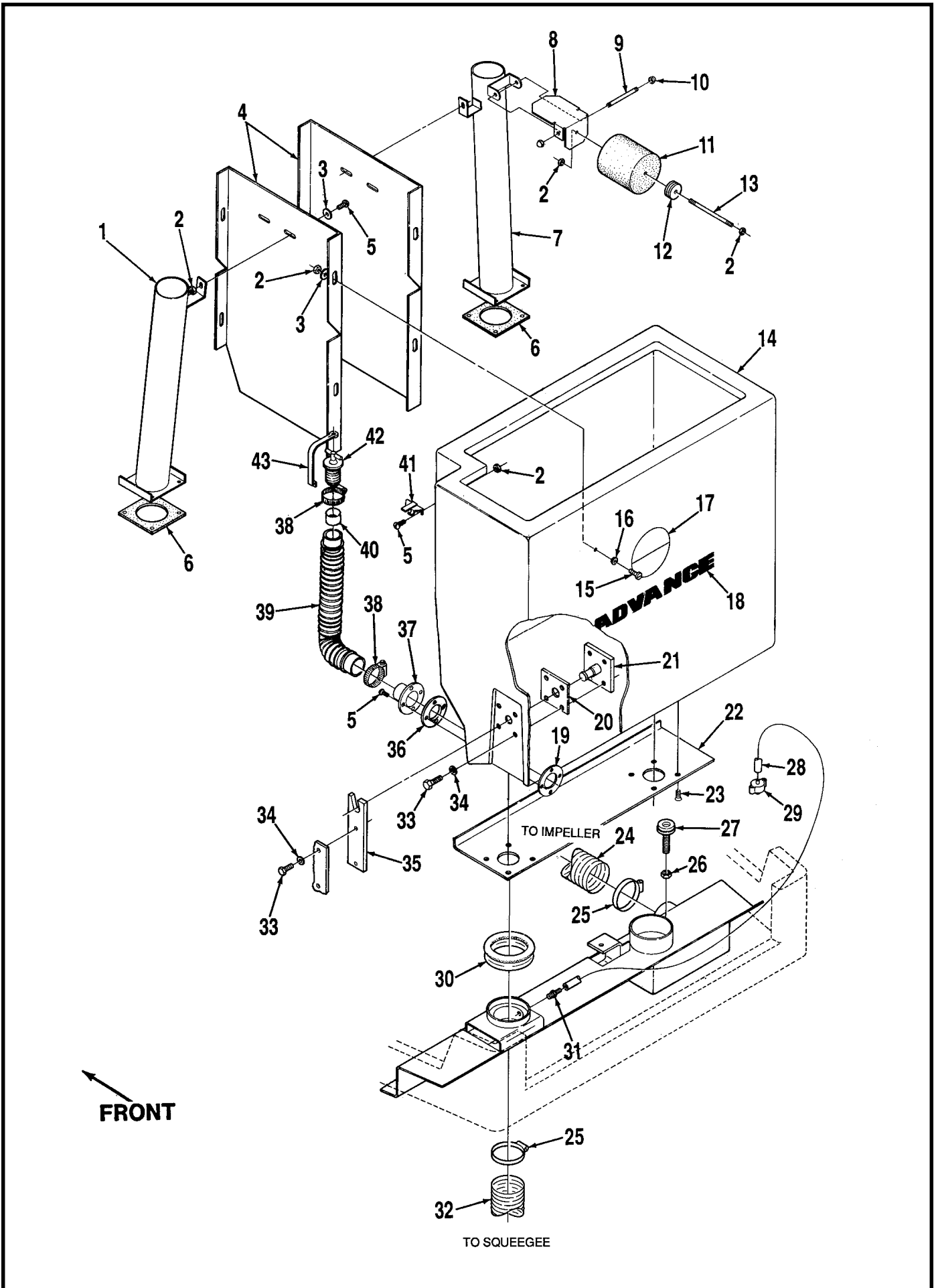
STANDARD SOLUTION TANK

Item	Part No.	Qty	Description
	56456074	1	Solution Tank Assembly (#1-14)
1	56457072	1	Cover
2		15	#10-24 x 3/4 Screw
3		15	#10 Washer
4	56456064	1	Cover
5	56209434	6'	Gasket (2 m)
6	56456048	1	Solution Tank
7	56016185	1	Decal, Low Sudsing
8	56016057	1	Decal, Caution
9	56456062	1	Baffle
10		6	1/4-20 Brass Nut
11	56900737	6	Sealing Washer
12	56576520	6	Screw
13	56456066	2	Strap
14		1	#6-32 x 1/2 Screw
15	56456050	1	Base
16	56456068	2	Sealing Washer
17	56456058	2	Barb
18	56329145	4	Hose Clamp
19	56456831	1	Hose
20	56454168	1	Barb
21	56456617	1	Valve
22	56456799	1	Nipple
23	56456803	1	Tee
24	56456801	1	Barb
25	56456835	2	Hose
26	56244985	2	Elbow Barb
27	56454612	2	Flow Control Valve
28	56749202	4	Barb
29	56373792	4	Spring
30	56456830	4	Tube
31	56456802	1	Elbow
32	56456827	1	Lever
33	56456821	1	Linkage
34	56379298	1	Bushing
35	56455643	1	Lever
36	56471220	1	Bushing
37	56200972	1	Bushing
38	56378534	1	Knob
39	56386035	1	Drain Hose
40	56459433	1	Hose Sleeve
41	56260098	1	T-Plug
42	56261378	1	Strap
43		1	1/4-20 x 3/4 Screw
44		2	1/4 Lock Washer
45		2	1/4 Washer
46		1	1/4-20 x 1-1/2 Screw
47		1	3/8-16 x 1 Bolt
48		1	3/8 Lock Washer
49		1	3/8 Washer
50		1	3/8-16 Nut
51	56245010	2	Spring
*	56459282	1	Drain Hose Guard



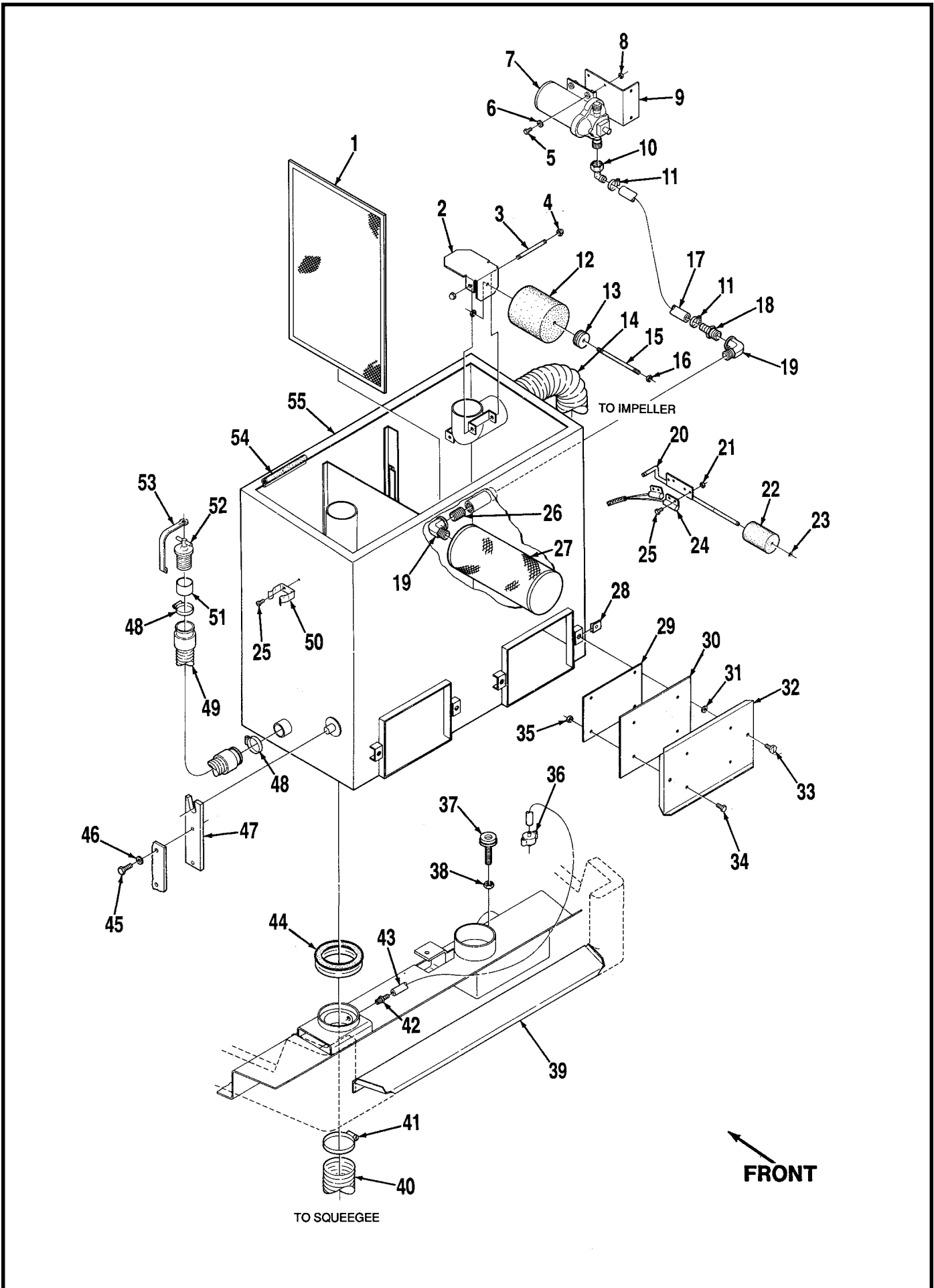
HYDRO-MAX II SOLUTION TANK

Item	Part No.	Qty	Description	Item	Part No.	Qty	Description
	56459261	1	Solution Tank Assembly (#1-35)	53	56456803	1	Tee
1		6	#8-32 x 3/8 Screw	54	56456799	1	Nipple
2	56478502	1	Cap	55	56456617	1	Valve w/ Handle
3	56456137	1	Filler Neck	56	56454168	1	Barb
4	56456104	1	Gasket	57	56456831	1	Hose
5		34	#10-24 x 3/4 Screw	58	56329145	4	Hose Clamp
6	56462360	2	Connector	59	56456058	2	Barb
7	56111295	1	Elbow	60	56456068	2	Sealing Washer
8	56755246	1	Metering Barb	61	56386035	1	Drain Hose
9	56249591	7"	Tube (18 cm)	62	56261297	1	Tube
10	56749649	1	Coupler	63	56260098	1	T-Plug
11	56459260	2	Switch	64	56261378	1	Strap
12	56200754	6'	Gasket (2 m)	65	56456050	1	Base
13	56456098	1	Chemical Tank	66		1	1/4-20 x 3/4 Screw
14	56456143	1	Solution Tank	67		2	1/4 Lock Washer
15	56456066	2	Strap	68		2	1/4 Washer
16	56576520	6	Screw	69		1	3/8-16 x 1 Bolt
17	56900737	6	Sealing Washer	70		1	3/8 Lock Washer
18	56745860	1	Jam Nut				
19	56742552	1	O-Ring				
20	56900021	1	Elbow				
21	56443972	1	Barb				
22	56459317	1	Chemical Injector				
23	56749355	1	Elbow				
24	56172072	1	Nipple				
25	56751687	2	Bushing				
26	56740136	1	Plug				
27	56456138	1	Baffle				
28		6	1/4-20 Brass Nut				
29	56456560	1	Tube				
30	56209434	5'	Gasket (1.5 m)				
31	56456135	1	Panel				
32	56452110	1	Cover				
33		1	3/8-16 Nut				
34		1	3/8 Washer				
35	56245010	2	Spring				
36	56378534	1	Knob				
37		1	1/4-20 x 1-1/2 Screw				
38	56200972	1	Bushing				
39	56471220	1	Bushing				
40	56455643	1	Lever				
41	56379298	1	Bushing				
42	56456821	1	Linkage				
43	56456827	1	Lever				
44	56456835	2	Hose				
45	56456802	1	Elbow				
46	56244985	2	Elbow				
47	56456830	4	Tube				
48	56749202	4	Barb				
49	56454612	2	Flow Control Valve				
50	56373792	4	Spring				
51	56456801	1	Barb				
52	56454280	1	Handle				



STANDARD RECOVERY TANK

Item	Part No.	Qty	Description
	56459144	1	Recovery Tank Assembly (#1-23,33-44)
1	56459141	1	Tube
2		16	1/4-20 Nut
3	56454626	12	Washer
4	56459142	2	Baffle
5	56576520	15	Screw
6	56459136	2	Gasket
7	56459140	1	Tube
8	56459130	1	Shut-Off
9	56459131	1	Rod
10		2	1/4-20 Acorn Nut
11	56385349	1	Float
12	56454721	2	Weight
13	56454724	1	Rod
14	56459143	1	Recovery Tank
15		8	1/4-20 x 7/8 Screw
16	56900737	8	Sealing Washer
17	56014513	1	Decal, Logo
18	56014637	1	Decal, Advance
19	56459246	1	Nut Pate
20	56454712	2	Gasket
21	56454778	2	Hinge
22	56459139	1	Plate
23	56900188	8	Screw
24	56459256	1	Vacuum Hose
25	56352829	4	Hose Clamp
26		2	1/2-13 Nut
27	56449221	2	Bumper
28	56457094	1	Hose
29	56479112	1	Vacuum Switch
30	56459112	3'	Gasket (1 m)
31	56477522	1	Barb
32	56459255	1	Vacuum Hose
33		12	3/8-16 x 3/4 Bolt
34		12	3/8 Washer
35	56456196	2	Bar
36	56459245	1	Gasket
37	56459248	1	Tube
38	56329145	2	Hose Clamp
39	56459254	1	Drain Hose
40	56459250	1	Cuff
41	56386058	1	Hanger
42	56459253	1	T-Plug
43	56261378	1	Strap

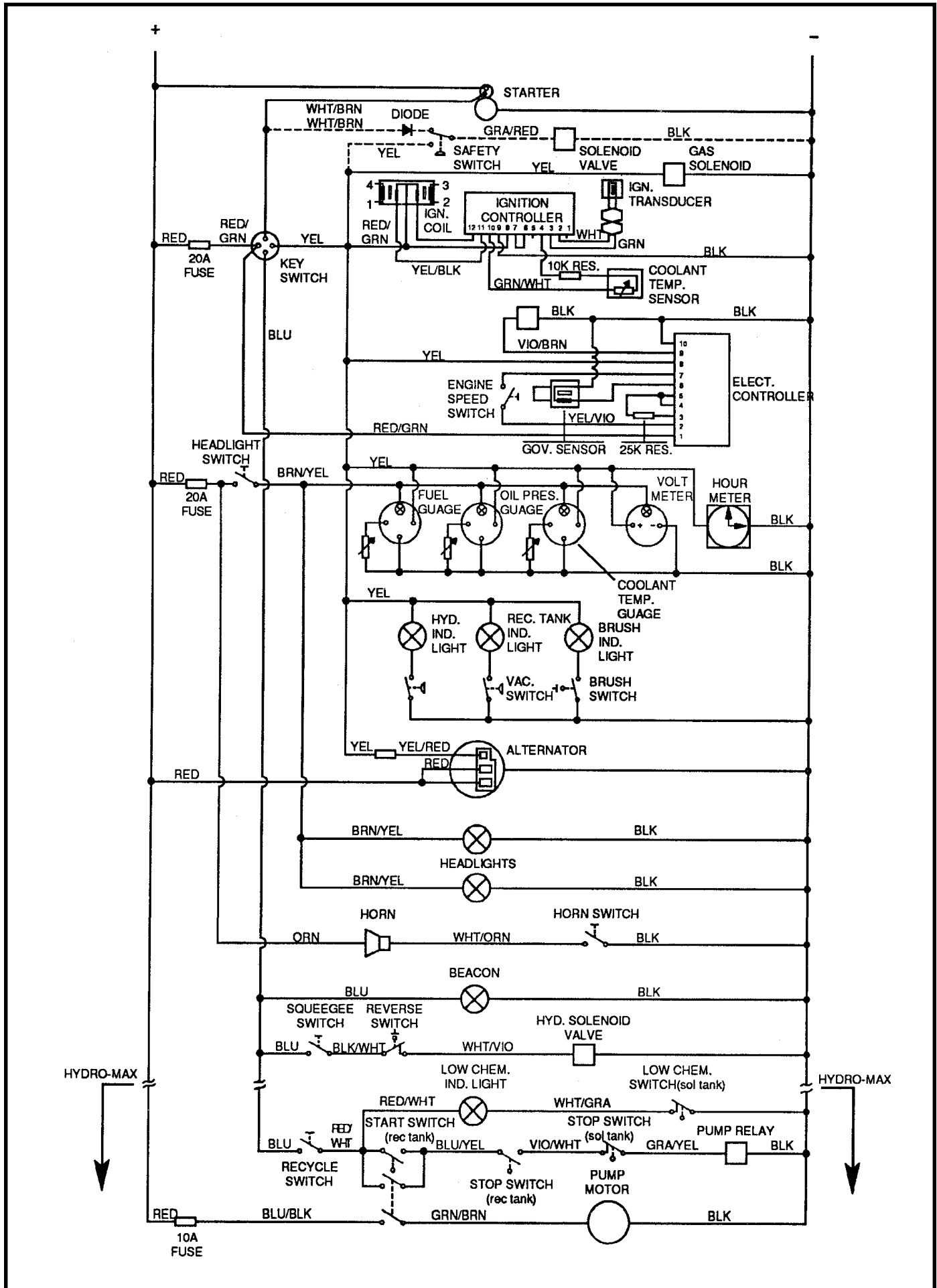


HYDRO-MAX II RECOVERY TANK

Item	Part No.	Qty	Description	Item	Part No.	Qty	Description
1	56459315	1	Screen Panel	28	56468960	4	Screw Receptacle
2	56459130	1	Shut-Off	29	56459312	2	Plate
3	56459131	1	Rod	30	56459303	2	Gasket
4		2	1/4-20 Acorn Nut	31	56448108	4	Retaining Washer
5		4	#8-32 x 1 Screw	32	56459302	2	Cover
6		4	#8 Washer	33	56448104	4	Fastener
7	56459262	1	Pump	34		8	1/4-20 x 3/4 Brass Screw
**	56503000	1	Valve Kit	35		8	1/4-20 Brass Nut
**	56503001	1	Diaphragm Kit	36	56479112	1	Vacuum Switch
**	56503012	1	Pressure Switch	37	56449221	2	Bumper
8		4	#8-32 Nut	38		2	1/2-13 Nut
9	56456144	1	Pump Mount	39	56456153	1	Deflector
10	56261246	2	Barb	40	56459255	1	Vacuum Hose
11	56112771	2	Hose Clamp	41	56352829	4	Hose Clamp
12	56385349	1	Float	42	56477522	1	Barb
13	56454721	3	Weight	43	56457094	1	Hose
14	56462685	1	Vacuum Hose	44	56459112	1'	Gasket (30 cm)
15	56454724	1	Rod	45		4	3/8-16 x 3/4 Bolt
16		2	1/4-20 Lock Nut	46		4	3/8 Washer
17	56456749	1	Tube	47	56456196	2	Bar
18	56118117	1	Barb	48	56329145	4	Hose Clamp
19	56742125	2	Elbow	49	56372216	2	Drain Hose
20	56459320	1	Rod	50	56404336	2	Clamp
21		4	#10-24 Nut	51	56376940	2	Tube
22	56456023	1	Float	52	56376948	2	T-Plug
23	56321125	4	Retaining Ring	53	56261378	2	Strap
24	56388167	2	Mercury Switch	54	56483549	8'	Gasket (2.5 m)
	56459259	1	Switch Assembly	55	56459129	1	Recovery Tank
*	56456027	1	Strain Relief				
25		8	#10-24 x 1/2 Screw				
26	56749229	1	Nipple				
27	56459321	1	Strainer				

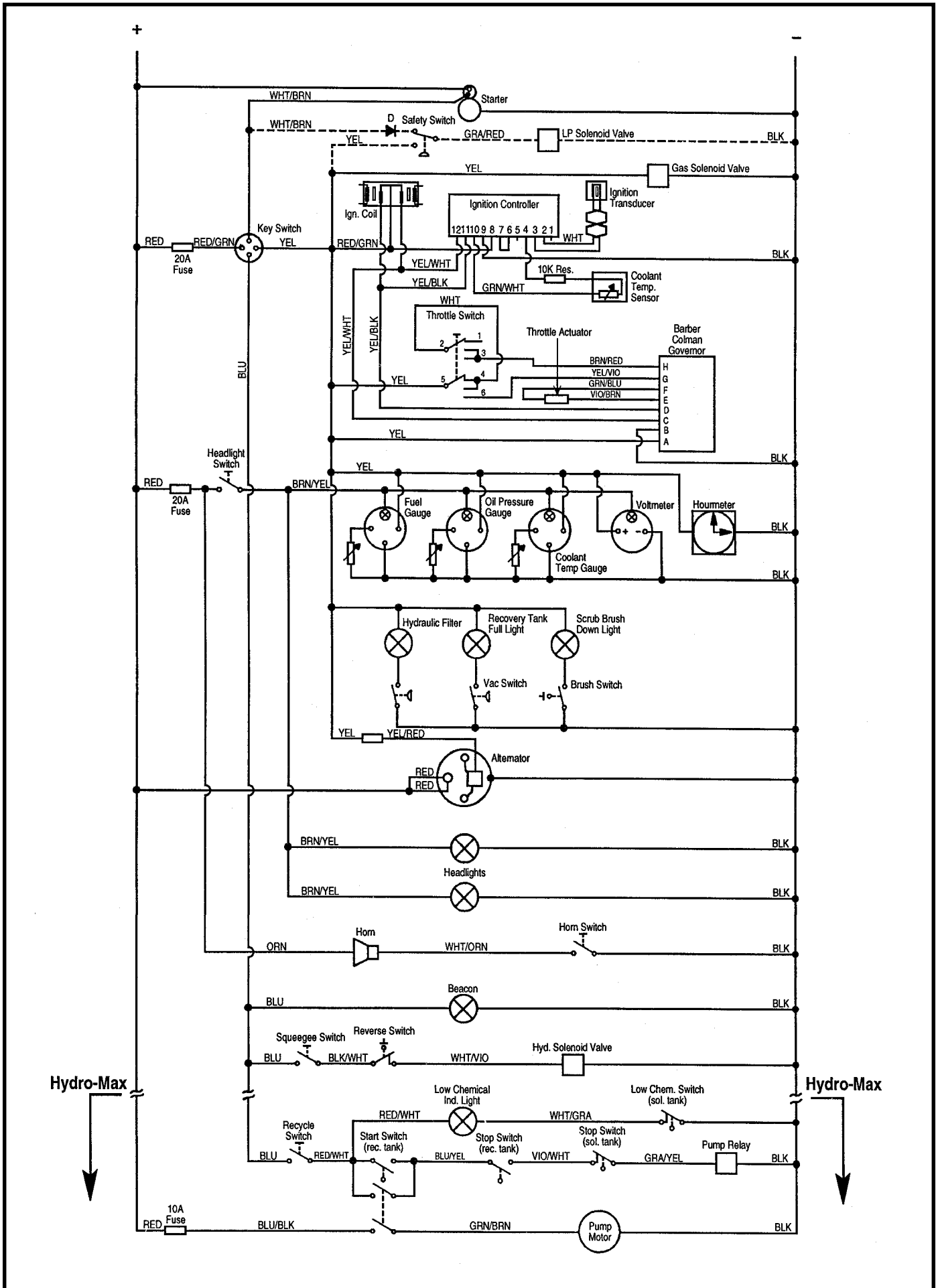
* = Not Shown

** = Repair Parts For Pump



WIRING DIAGRAM (before SN 1057347)

Part No.	Qty	Description
56459065	1	Main Wiring Harness
56462080	1	Engine Wiring Harness
56462868	1	Starter Assembly
56462055	1	Starter Motor
56462869	1	Starter Solenoid
56493063	1	Diode, LP
56493146	1	Safety Switch, LP
56456626	1	Solenoid, LP
56462887	1	Ignition Coil
56462866	1	Ignition Controller
56462875	1	Ignition Transducer
56900755	2	20A Fuse
56478640	1	Key Switch
56484288	1	Actuator
56262551	1	Engine Speed Switch
56484289	1	Governor Sensor
56459285	1	25K Ω Resistor
56484285	1	Electronic Controller
56262551	1	Headlight Switch
56489598	1	Fuel Gauge
56478358	1	Fuel Level Sender
56489592	1	Oil Pressure Gauge
56478698	1	Oil Pressure Sender
56489600	1	Coolant Temperature Gauge
56481888	1	Coolant Temperature Sender
56482044	1	Volt Meter
56478363	1	Hour Meter
56456544	1	Hydraulic Filter Indicator Light
56456469	1	Recovery Tank Full Light
56479112	1	Vacuum Switch
56456464	1	Brush Indicator Light
56388019	1	Brush Switch
56462369	1	68 Ω Resistor
56462863	1	Alternator
56454528	2	Headlight
56442054	1	Horn
56441555	1	Horn Switch
56489639	1	Beacon TSB 603, G-5
56262551	1	Squeegee Up-Down Switch
56462362	1	Reverse Switch
56459236	1	Hydraulic Solenoid Valve Hydro-Max II System
56456544	1	Low Chemical Indicator Light
56459260	1	Low Chemical Switch
56262551	1	Recycle Switch
56388167	2	Start-Stop Switch
56459260	1	Stop Switch
56457888	1	Pump Relay
56900229	1	10A Fuse
56459262	1	Pump

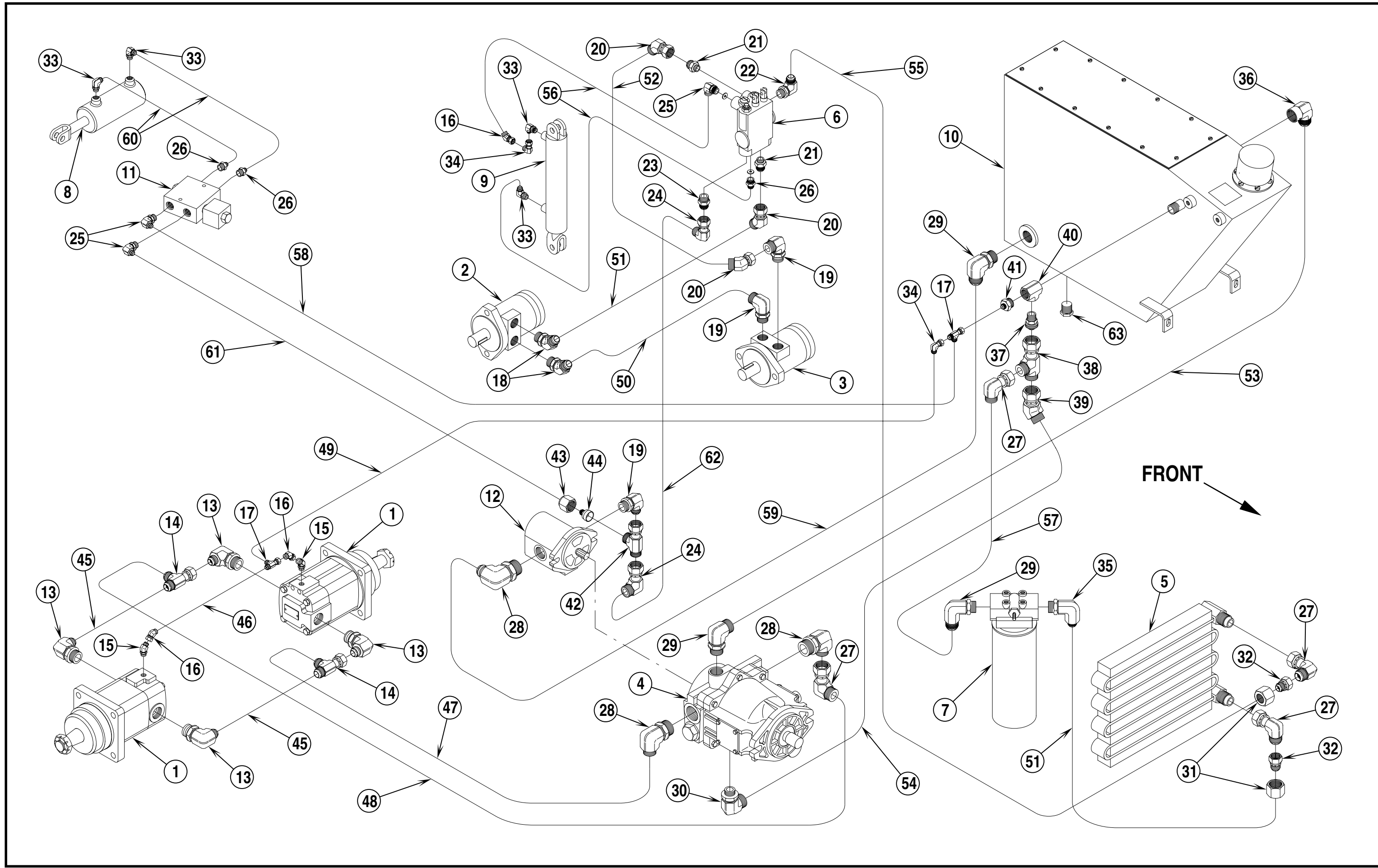


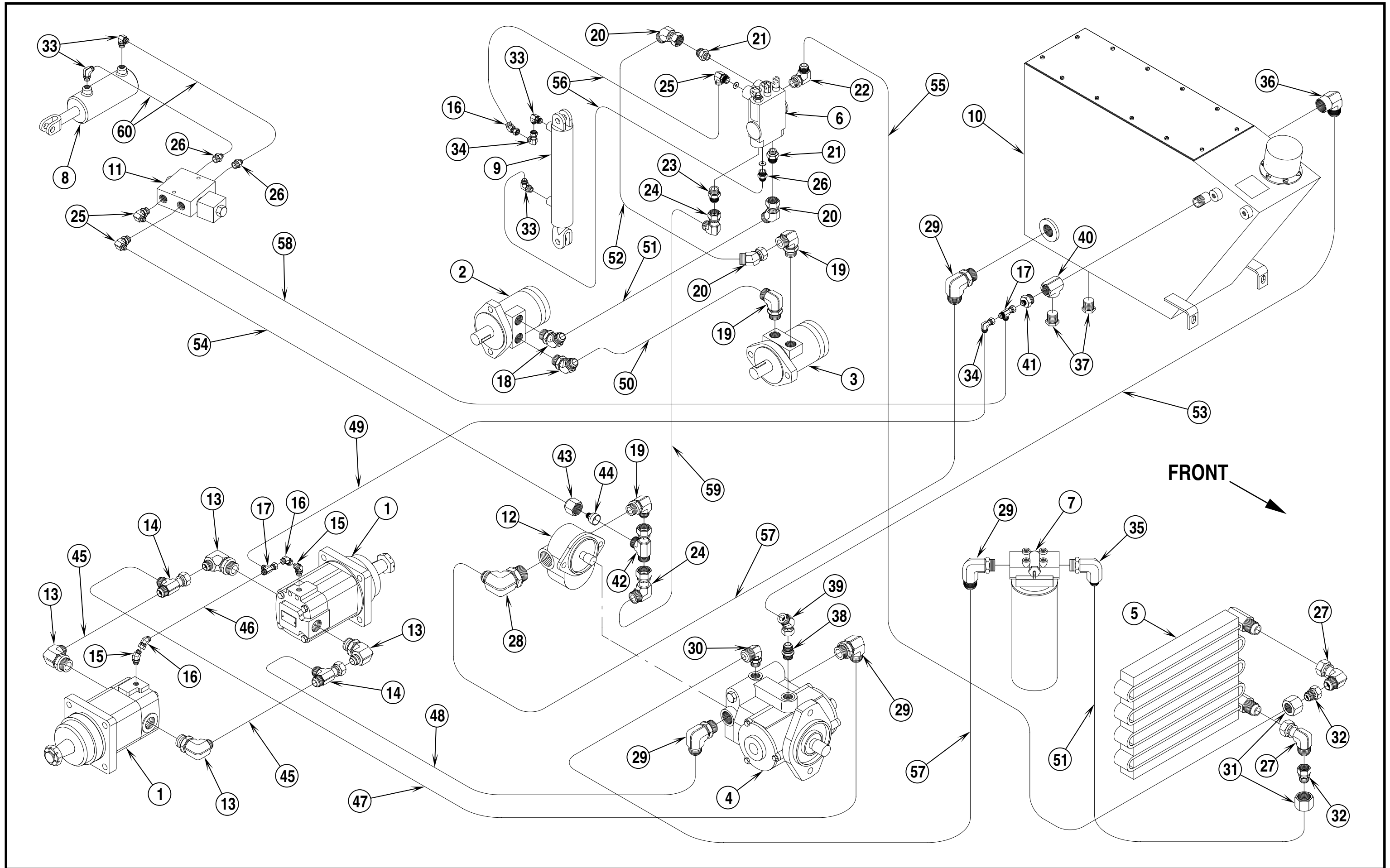
WIRING DIAGRAM (after SN 1057346)

Part No.	Qty	Description
56462868	1	Starter Assembly
56462055	1	Starter Motor
56462869	1	Starter Solenoid
56493063	1	Diode, LP
56493146	1	Safety Switch, LP
56456626	1	Solenoid, LP
56462887	1	Ignition Coil
56462866	1	Ignition Controller
56462875	1	Ignition Transducer
56900755	2	20A Fuse
56478640	1	Key Switch
56455052	1	Actuator (gas)
56455049	1	Actuator (propane)
56455820	1	Throttle Switch
56484289	1	Governor Sensor
56459285	1	25K Ω Resistor
56455231	1	Barber Colman Governor
56262551	1	Headlight Switch
56489598	1	Fuel Gauge
56478358	1	Fuel Level Sender
56489592	1	Oil Pressure Gauge
56478698	1	Oil Pressure Sender
56489600	1	Coolant Temperature Gauge
56481888	1	Coolant Temperature Sender
56482044	1	Volt Meter
56478363	1	Hour Meter
56456544	1	Hydraulic Filter Indicator Light
56456469	1	Recovery Tank Full Light
56479112	1	Vacuum Switch
56456464	1	Brush Indicator Light
56388019	1	Brush Switch
56462369	1	68 Ω Resistor
56462863	1	Alternator
56454528	2	Headlight
56442054	1	Horn
56441555	1	Horn Switch
56489639	1	Beacon TSB 603, G-5
56262551	1	Squeegee Up-Down Switch
56462362	1	Reverse Switch
56459236	1	Hydraulic Solenoid Valve Hydro-Max II System
56456544	1	Low Chemical Indicator Light
56459260	1	Low Chemical Switch
56262551	1	Recycle Switch
56388167	2	Start-Stop Switch
56459260	1	Stop Switch
56457888	1	Pump Relay
56900229	1	10A Fuse
56459262	1	Pump

HYDRAULIC DIAGRAM (before SN 1203266)

Item	Part No.	Qty	Description	Item	Part No.	Qty	Description
1	56456902	2	Drive Motor	40	56479770	1	Tee
2	56479606	1	Main Broom Motor	41	56456938	1	Adapter
3	56479606	1	Scrub Brush Motor	42	56900344	1	Tee
4	56456968	1	Hydraulic Pump	43	56900504	1	Nut
5	56457282	1	Oil Cooler TSB 722	44	56900462	1	Reducer
6	56492196	1	Control Valve	45	56456903	2	Hose
7	56456449	1	Oil Filter	46	56490167	1	Hose
	56496209	1	Replacement Filter	47	56456923	1	Hose
8	56459163	1	Squeegee Lift Cylinder	48	56456933	1	Hose
9	56449748	1	Scrub Brush Lift Cylinder	49	56456919	1	Hose
10	56456750	1	Hydraulic Reservoir	50	56456901	1	Hose
11	56459236	1	Squeegee Control Valve	51	56496216	2	Hose
12	56458691	1	Accessory Pump	52	56480916	1	Hose
13	56900116	4	Elbow	53	56479693	1	Hose
14	56900345	2	Tee	54	56456913	1	Hose
15	56900151	2	Elbow	55	56462403	1	Hose TSB 722
16	56900321	3	Elbow	56	56458672	2	Hose
17	56900341	2	Tee	57	56482036	1	Hose
18	56900164	2	Elbow	58	56496212	1	Hose
19	56900114	3	Elbow	59	56456911	1	Hose
20	56900324	3	Elbow	60	56492676	2	Hose
21	56900020	2	Adapter	61	56492675	1	Hose
22	56900104	1	Elbow	62	56456925	1	Hose
23	56900004	1	Connector	63	56479732	1	Plug
24	56900304	2	Elbow				
25	56900110	3	Elbow				
	56456931	1	Orifice				
26	56900011	3	Connector				
	56456931	1	Orifice				
27	56900306	4	Elbow				
28	56900117	3	Elbow				
29	56900106	3	Elbow				
30	56456924	1	Elbow				
31	56900506	2	Nut				
32	56900469	2	Reducer				
33	56900101	4	Elbow				
34	56900301	2	Elbow				
35	56900115	1	Elbow				
36	56900585	1	Elbow				
37	56456447	1	Check Valve				
38	56900346	1	Tee				
39	56900326	1	Elbow				





HYDRAULIC DIAGRAM (after SN 1203265)

Item	Part No.	Qty	Description	Item	Part No.	Qty	Description
1	56456902	2	Drive Motor	40	56479770	1	Tee
2	56479606	1	Main Broom Motor	41	56456938	1	Adapter
3	56479606	1	Scrub Brush Motor	42	56900344	1	Tee
4	56459464	1	Hydraulic Pump	43	56900504	1	Nut
5	56457282	1	Oil Cooler TSB 722	44	56900462	1	Reducer
6	56492196	1	Control Valve	45	56456903	2	Hose
7	56456449	1	Oil Filter	46	56490167	1	Hose
	56496209	1	Replacement Filter	47	56456923	1	Hose
8	56459163	1	Squeegee Lift Cylinder	48	56456933	1	Hose
9	56449748	1	Scrub Brush Lift Cylinder	49	56456919	1	Hose
10	56456750	1	Hydraulic Reservoir	50	56456901	1	Hose
11	56459236	1	Squeegee Control Valve	51	56496216	2	Hose
12	56497834	1	Accessory Pump	52	56480916	1	Hose
13	56900116	4	Elbow	53	56479693	1	Hose
14	56900345	2	Tee	54	56492675	1	Hose
15	56900151	2	Elbow	55	56462403	1	Hose TSB 722
16	56900321	3	Elbow	56	56458672	2	Hose
17	56900341	2	Tee	57	56456911	2	Hose
18	56900164	2	Elbow	58	56496212	1	Hose
19	56900114	3	Elbow	59	56496220	1	Hose
20	56900324	3	Elbow	60	56492676	2	Hose
21	56900020	2	Adapter				
22	56900104	1	Elbow				
23	56900004	1	Connector				
24	56900304	2	Elbow				
25	56900110	3	Elbow				
	56456931	1	Orifice				
26	56900011	3	Connector				
	56456931	1	Orifice				
27	56900306	2	Elbow				
28	56900117	1	Elbow				
29	56900106	3	Elbow				
30	56900909	1	Elbow				
31	56900506	2	Nut				
32	56900469	2	Reducer				
33	56900101	4	Elbow				
34	56900301	2	Elbow				
35	56900115	1	Elbow				
36	56900585	1	Elbow				
37	56479732	2	Plug				
38	56900486	1	Connector				
39	56900326	1	Elbow				



Nilfisk-Advance, Inc.
14600 21st Avenue North
Plymouth, MN, 55447-3408
www.nilfisk-advance.com
Phone: 800-989-2235
Fax: 800-989-6566
©2000 Nilfisk-Advance, Inc.,
Plymouth, MN 55447-3408
Printed in the U.S.A.