



Electronic Service Manuals

This electronic document is provided as a service to our customers. We do not create the contents of the information contained in this document. Should you have detailed questions pertaining to the information contained in this document, you may contact Michco, or the manufacturer which provided the original information in this electronic deliverable. Michco's only part in this electronic deliverable was the electronic assembly process.

You may contact Michco through the following methods:
Phone (517) 484-9312 or (800) 331-3339 MI, OH, IN only
2011 N. High St. -- Lansing, Michigan -- 48906
Fax: (517) 484-9836
Email: CustServ@Michco.com
Web site: www.Michco.Com
Parts Web site: www.FloorMachineParts.Com

Order Parts on Line at:
www.FloorMachineParts.Com

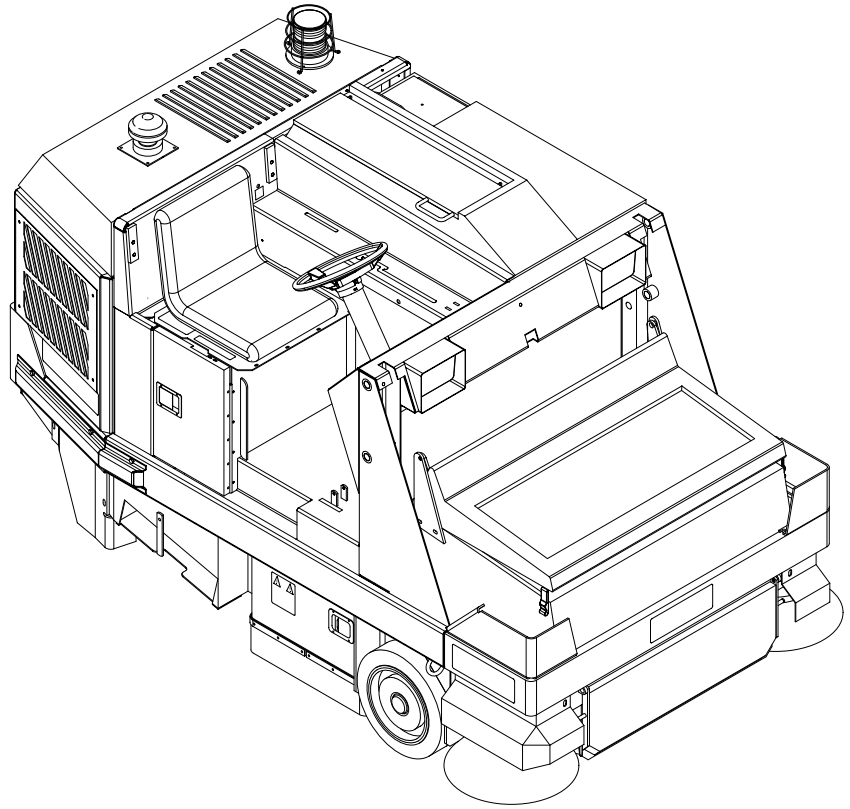
Directly to Parts & Service:
By Email: **Shop@Michco.com**
By Fax: (517) 702-2041
By Voice: Use numbers above.

Serving the Cleaning Industry Since 1922

Notice: All copyrighted material remains property of original owners, all trademarks are property of respective owners. Manuals are subject to Manufacturer's reproduction limitations. Originals or reproductions were provided by manufacturers through a request. We make no warranty as to the correctness of information provided in this document and you assume all risk.

Hydro-Retriever™ 2067

CR 1700



PARTS LIST

**Advance MODELS 56463684(gas), 56463685(diesel)
56463683(propane)**

**Nilfisk MODELS 56463692(gas), 56463693(diesel)
56463694(propane)**



**Nilfisk
Advance**
setting standards

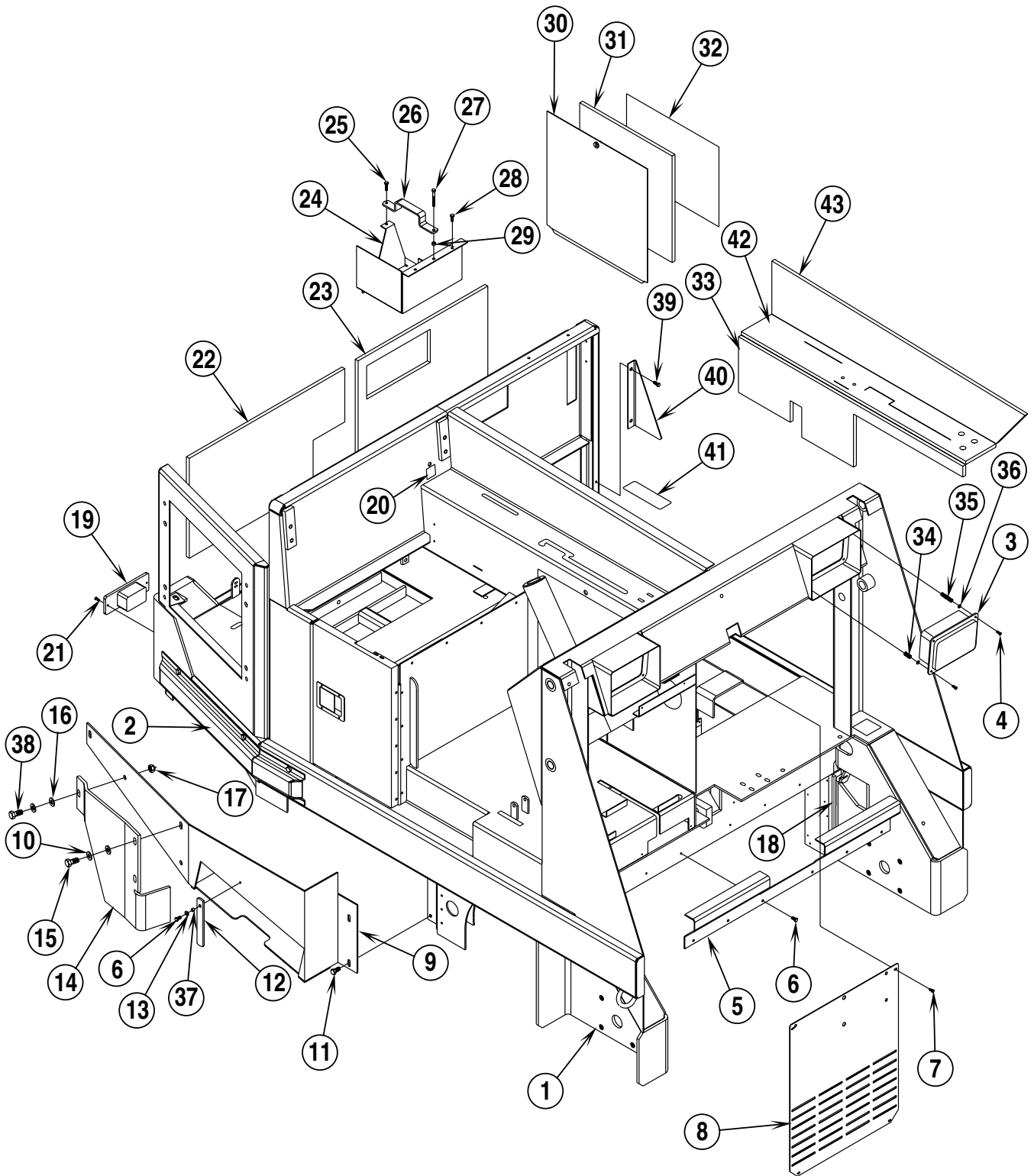
6/99 revised 5/04 FORM NO. 56042348
BOOK E SECTION 11.3.1

DESCRIPTION	PAGE
CHASSIS-1	2-3
CHASSIS-2	4-5
ENGINE HOOD ASSEMBLY	6-7
OPERATOR'S COMPARTMENT	8-9
BRAKE PEDAL & LEVER	10-11
STEERING COLUMN ASSEMBLY	12-13
REAR WHEEL & STEERING	14-15
FRONT WHEELS	16-17
FUEL TANK ASSEMBLY (GAS / DIESEL)	18-19
FUEL TANK ASSEMBLY (LP)	20-21
LP SYSTEM	22-23
HYDRAULIC OIL RESERVOIR ASSEMBLY	24-25
SIDE BROOM ASSEMBLY	26-27
HOPPER ASSEMBLY	28-29
DUST CONTROL FILTER ASSEMBLY	30-31
HOPPER LIFT ARMS	32-33
MAIN BROOM LEVER ASSEMBLY	34-35
MAIN BROOM	36-37
HYDRAULIC SYSTEM	40-41
BROOM HOUSING DOORS & SKIRTS	42-43
ENGINE ASSEMBLY (GAS / LP)	44-45
ENGINE ASSEMBLY (DIESEL)	46-47
RADIATOR ASSEMBLY	48-49
AIR CLEANER ASSEMBLY	50-51
GOVERNOR & DRIVE PEDAL LINKAGE (GAS/LP)	52-53
THROTTLE & DRIVE PEDAL LINKAGE (DIESEL)	54-55
WET PICKUP IMPELLER ASSEMBLY	56-57
DUST CONTROL IMPELLER ASSEMBLY	58-59
VACUUM SHUT-OFF ASSEMBLY	60-61
SOLUTION SYSTEM	62-63
RECOVERY TANK	64-65
SCRUB BRUSH DRIVE SYSTEM	66-67
SQUEEGEE	68-69
SQUEEGEE MOUNT & LIFT	70-71
WIRING DIAGRAM (GAS/LP)	72-73
WIRING DIAGRAM (DIESEL)	74-75
WIRING DIAGRAM (GAS/LP/DIESEL)	76

WHEN ORDERING PARTS

- * Use the 8 digit numbers from the "Ref. No." columns in this parts list.
- * Specify the model and serial number of the machine.
- * Use the space below to record the model and serial number for future reference.

Model _____ Serial No. _____

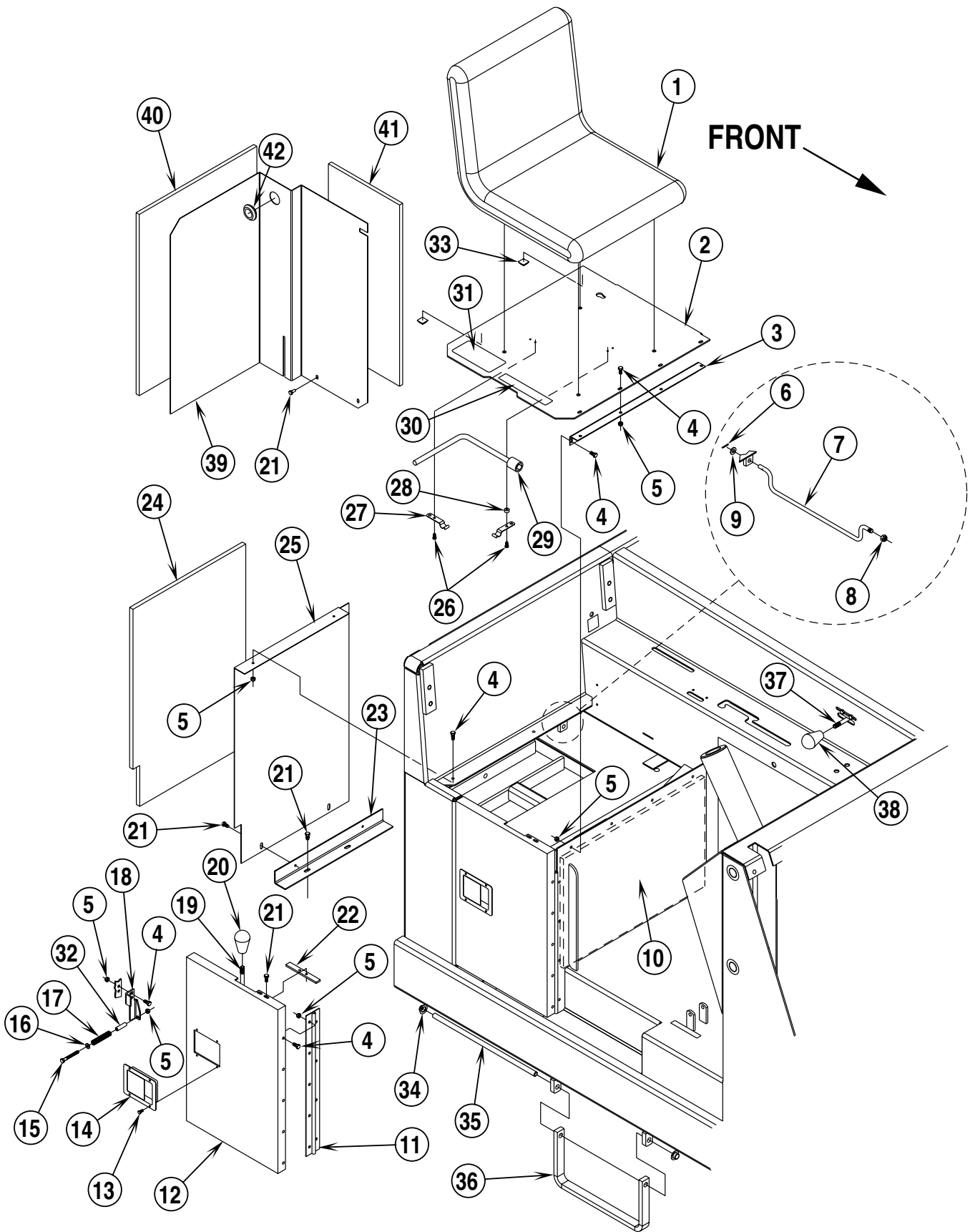


99-6	CHASSIS-1	BOOK E		
02-7	Hydro-Retriever™ 2067 / CR 1700	E	11.3.1	3

Item	Ref. No.	Qty	Description
1	56462562	1	Chassis
2	56463709	1	Skid (Diesel)
*	56002256	6	Scr, Hex Hd Type 1 3/8-16 x 1.00
3	56481543	2	Headlight
4	56002728	8	Scr, Pan Phil Thd Form 10-24 x 1.25
5	56462726	2	Guard, Hose
6	56009033	7	Scr, Hex Thd Form 1/4-20 x .50
7	56009012	4	Scr, Hex Thd Form 10-24 x .38
8	56462948	1	Panel, Access
9	56462730	1	Right Guard Weldment
*	56462729	1	Left Guard Weldment
10	56009017	8	Wsh, Flt Hardened
11	56002256	4	Scr, Hex Hd Type 1 3/8-16 x 1.00 (qty of 10 on Diesel)
12	56463052	1	Strap, Hose
13	56002098	1	Wsh, Flt SAE 1/4
14	56462731	1	Guard, Right
*	56462733	1	Guard, Left
15	56003022	4	Scr, Hex Hd Loc 1/2-13 x 1.25
16	56001879	8	Wsh, Flt SAE 1/2
17	56002770	4	Nut, Hex Nyl Loc 1/2-13
18	56478969	1	Gasket RS 1/2 x 1/2 x 192
19	56100061	2	Tail Light
20	56015154	1	Decal, Choke (Gas)
21	56009043	4	Scr, Pan Phil Thd Form 10-24 x .75
22	56463712	1	Foam
23	56463711	1	Foam
24	56463536	1	Battery Tray
25	56002093	1	Scr, Hex Hd 1/4-20 x 1.00
26	56463465	1	Clamp, Battery
27	56001856	1	Scr, Hex Hd 1/4-20 x 2.25
28	56002155	4	Scr, Hex Hd 1/4-20 x .75
29	56009087	1	Nut, Hex Jam 1/4-20
30	56462725	1	Panel, Access
*	56448104	1	Screw, Fastener (for 56462725)
*	56491326	1	Screw, Receptacle (for 56448104)
*	56448108	1	Washer Retainer (for 56448104)
31	56463718	1	Foam
32	56016172	1	Decal, Hydraulic Schematic
33	56463710	1	Insulation
34	56745695	4	Spring
35	56745854	4	Spring
36	56001954	8	Wsh, Flt SAE #10
37	56206784	1	Bushing
38	56001968	4	Scr, Hex Hd 1/2-13 x 1.50
39	56009018	2	Scr, Hex Thd Form 1/4-20 x .75
40	56462727	1	Panel, Foot Hold
41	56462907	1	Floor Mat
42	56463824	1	Insulation
43	56463823	1	Insulation
**	56463850	1	Soft Side Cab Kit (requires Overhead Guard Kit)
**	56419369	1	Seat Belt Kit
**	56463803	1	Extended Use Kit (Gas & Propane after SN1299512 only)
**	56463837	1	Extended Use Kit (Gas & Propane before SN1299513 only)
**	56462836	1	Overhead Guard Kit

* = Not Shown

** = Optional

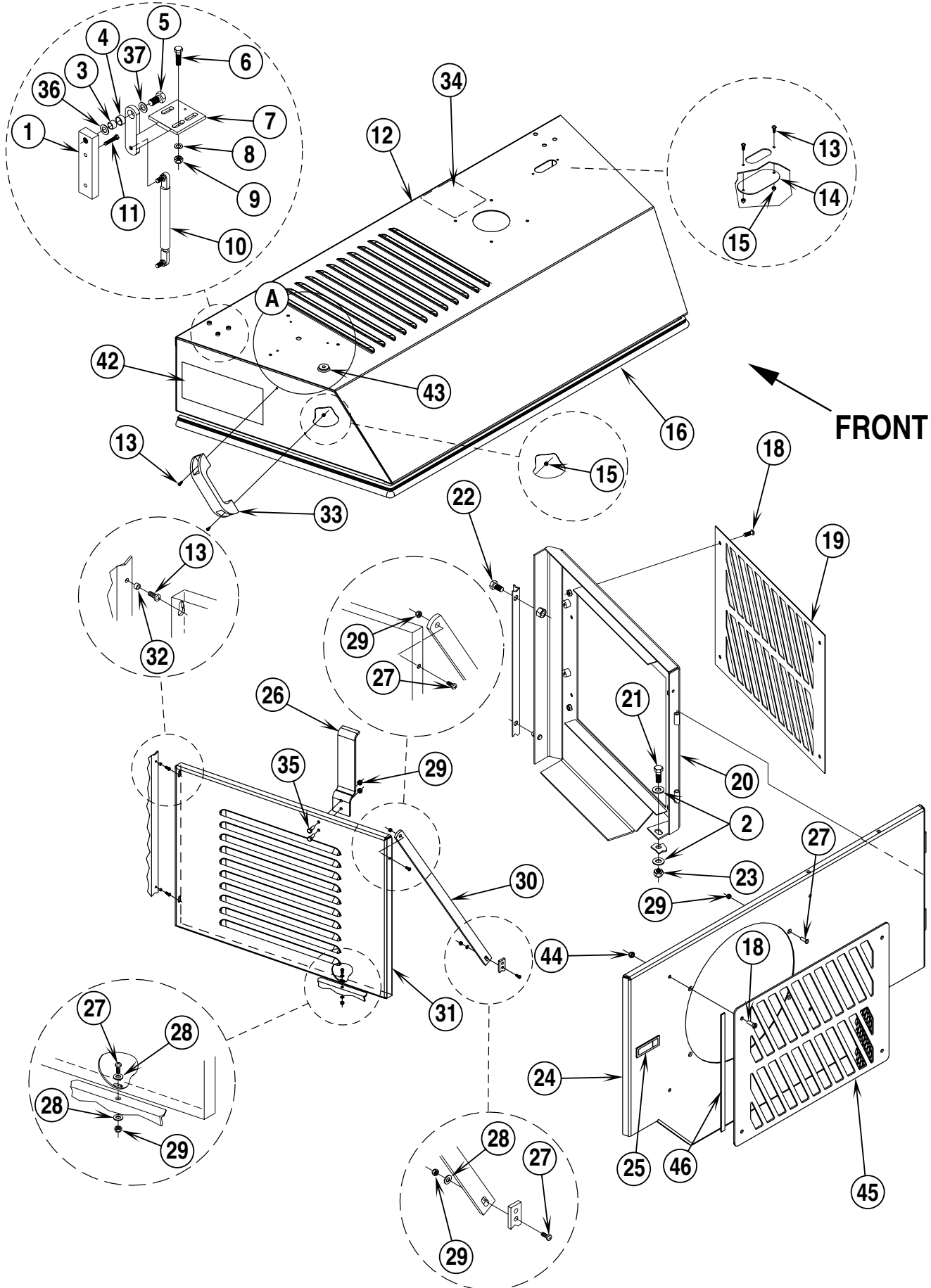


99-6	CHASSIS-2	BOOK E		
02-7	Hydro-Retriever™ 2067 / CR 1700	E	11.3.1	5

Item	Ref. No.	Qty	Description
1	56462749	1	Seat (slides with hardware included)
**	56419369	1	Seat Belt Kit
2	56462750	1	Bracket Weldment
3	56462753	1	Hinge
4	56002155	19	Scr, Hex Hd 1/4-20 x .75
5	56002708	22	Nut, Hex Nyl Loc 1/4-20
6	56002946	1	Pin, Cot. .09 x 1.00
7	56462961	1	Rod, Prop
8	56002769	1	Nut, Hex Nyl Loc 3/8-16
9	56002063	1	Wsh, Flt SAE 3/8
10	56463713	1	Foam
11	56495876	1	Hinge
12	56463092	1	Door Weldment (2067 before Jan. 2000)
	56463810	1	Door Panel (2067 after Dec. 1999 & all CR1700)
13	56009012	4	Scr, Hex Thd Form 10-24 x .38
14	56462326	1	Latch
15	56001856	1	Scr, Hex Hd 1/4-20 x 2.25
16	56002098	1	Wsh, Flt SAE 1/4
17	56380732	1	Spring
18	56463028	1	Latch, Door
19	56493228	1	Lever Weldment (side broom speed valve / 2067 before Jan. 2000)
20	56492792	1	Knob (2067 before Jan. 2000)
21	56009033	8	Scr, Hex Thd Form 1/4-20 x .50
22	56463530	1	Adjuster, Side Broom (2067 before Jan. 2000)
23	56463719	1	Angle, Panel Front
24	56463714	1	Foam
25	56463715	1	Baffle
*	56459112	4'	Gasket, Bulb RS (122 cm)
26	56009039	4	Scr, Hex Thd Form 10-24 x .50
27	56477620	2	Clamp
28	56200689	2	Bushing
29	56482488	1	Wrench
30	56025559	1	Decal, Sidebroom
31	56016226	1	Decal, Gasoline (Gas)
	56015413	1	Decal, LPG (LP)
	56025454	1	Decal, Diesel Fuel (Diesel)
32	56468553	1	Bushing
33	56402940	2	Bumper
34	56009097	2	Nut, Push Cap (2067 after Dec. 1999 & all CR1700)
35	56463806	1	Pin (2067 after Dec. 1999 & all CR1700)
36	56463808	1	Step (2067 after Dec. 1999 & all CR1700)
37	56493228	1	Lever Weldment (side broom speed valve / 2067 after Dec. 1999 & all CR1700)
38	56492792	1	Knob (2067 after Dec. 1999 & all CR1700)
39	56463695	1	Baffle, Fuel Compartment (2067G/P models after Dec. 1999 & all CR1700G/P)
40	56463800	1	Insulation, Fuel Compartment (2067G/P models after Dec. 1999 & all CR1700G/P)
41	56463699	1	Insulation, Fuel Compartment (2067G/P models after Dec. 1999 & all CR1700G/P)
42	56486116	1	Grommet

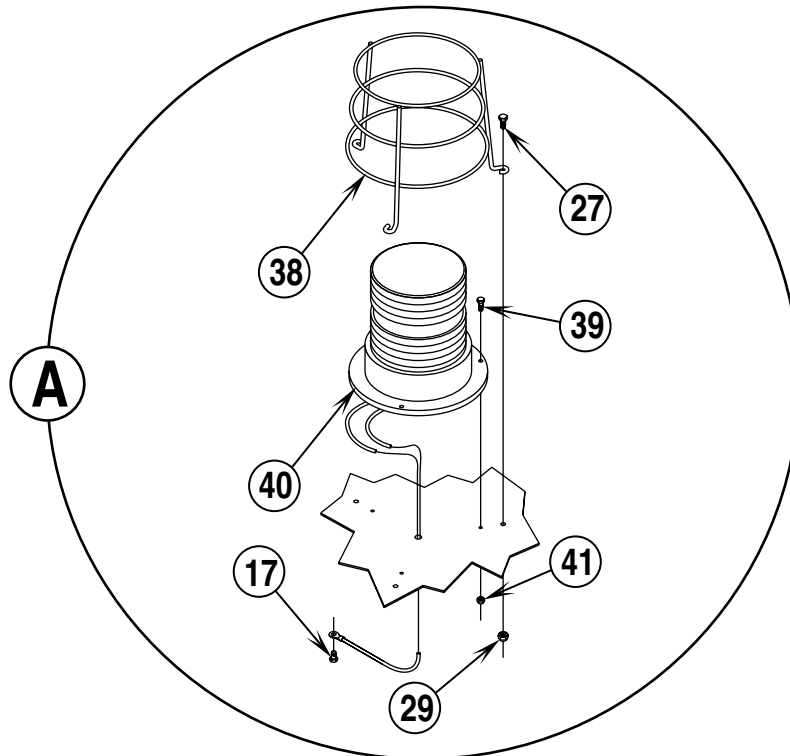
* = Not Shown

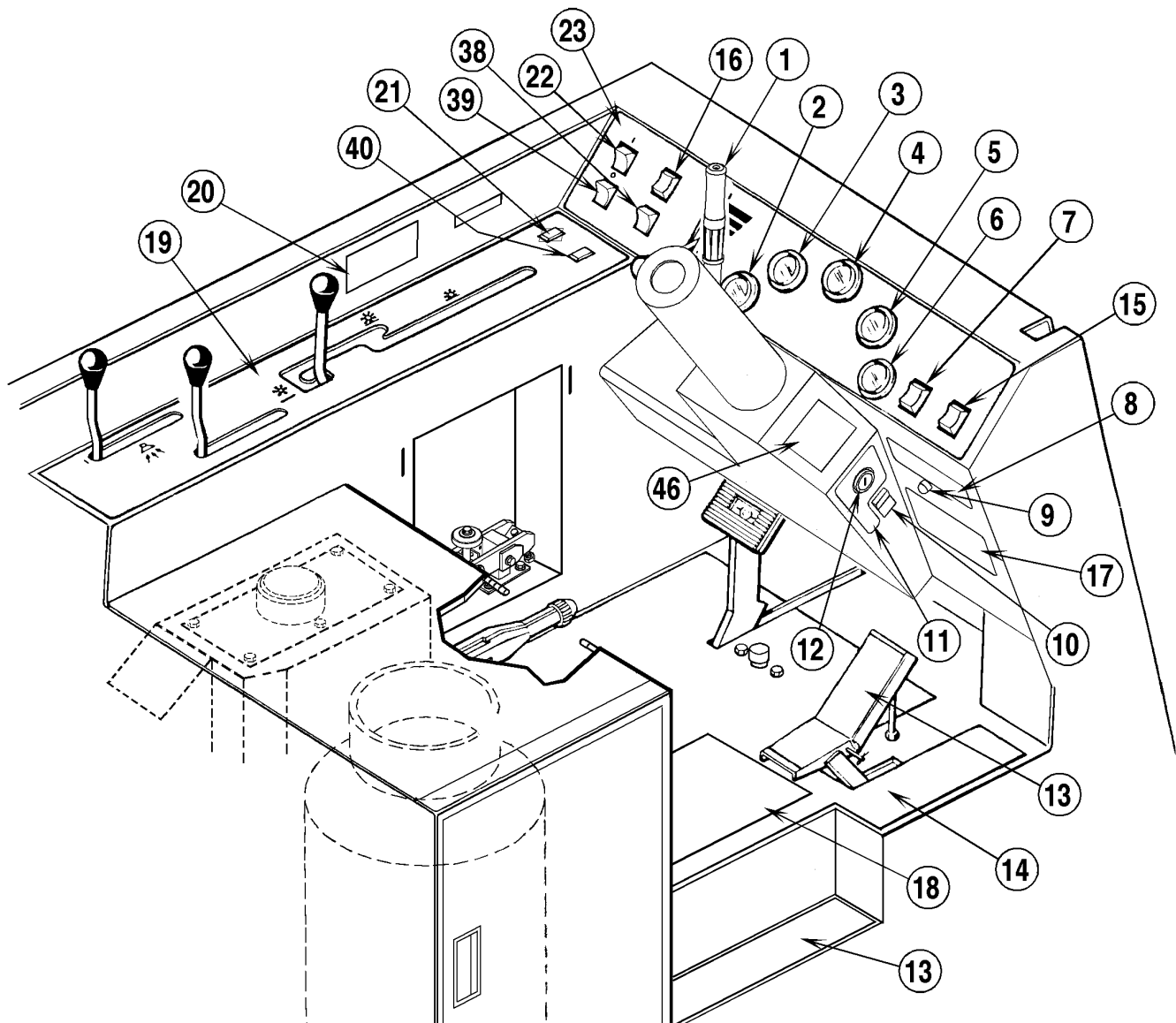
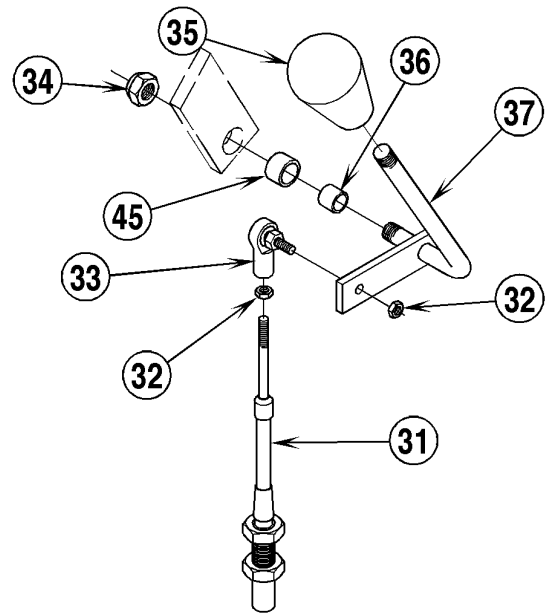
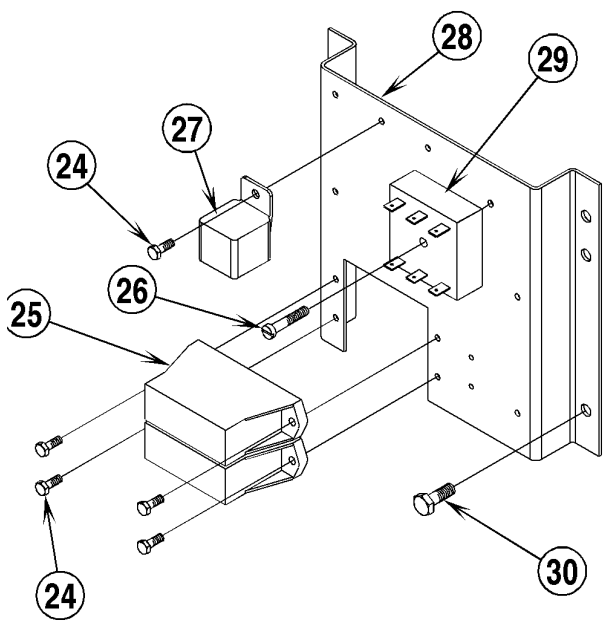
** = Optional



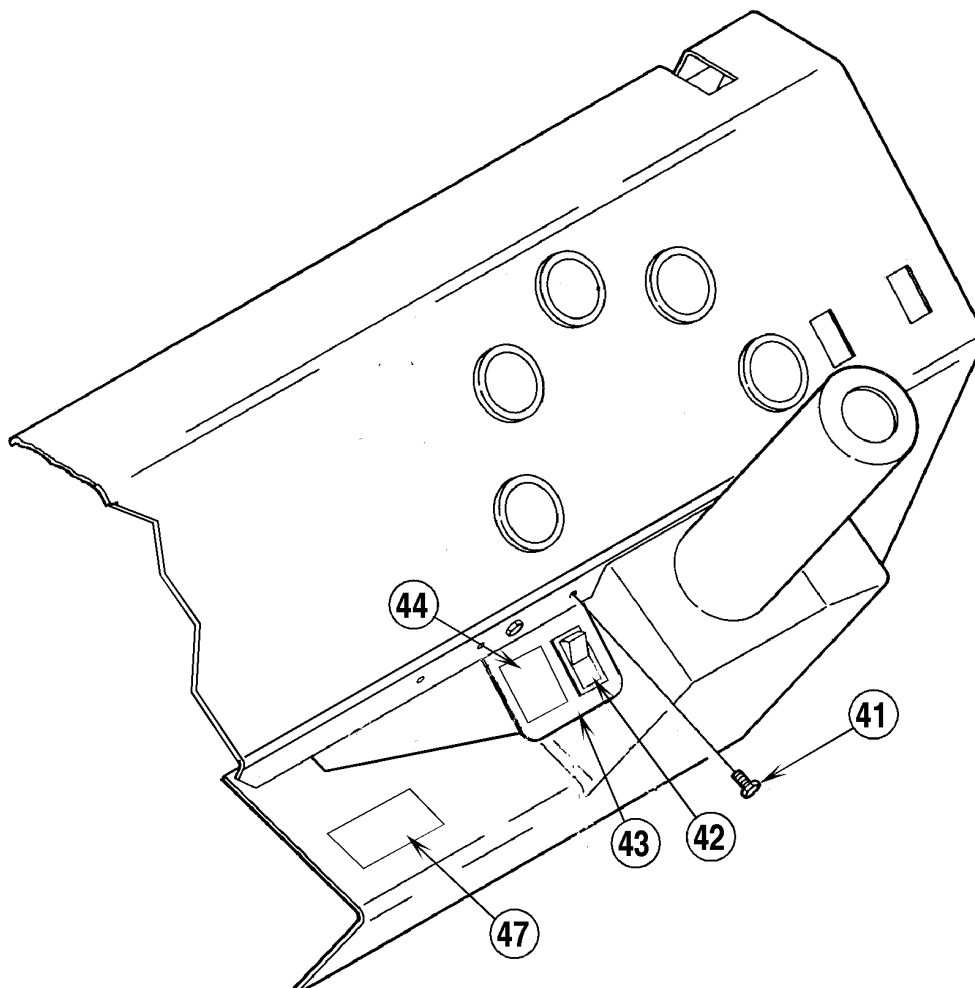
Item	Ref. No.	Qty	Description	Item	Ref. No.	Qty	Description
1	56462744	2	Block	25	56455979	1	Lockable Door Latch
2	56001879	2	Wsh, Flt SAE 1/2	26	56463804	1	Catch, Latch (2067 after Dec. 1999 & all CR1700)
3	56367206	2	Bushing	27	56002507	12	Scr, Pan Phil 1/4-20 x .75
4	56367168	2	Bearing, Sleeve	28	56002098	4	Wsh, Flt SAE 1/4
5	56003022	2	Scr, Hex Hd Loc 1/2-13 x 1.25	29	56002708	12	Nut, Hex Nyl Loc 1/4-20
6	56002256	6	Scr, Hex Hd Type 1 3/8-16 x 1.00	30	56463624	2	Strut, Side Panel
7	56463657	1	Left Hinge Weldment	31	56463635	1	LH Side Door Weldment
*	56463656	1	Right Hinge Weldment	32	56151092	2	Bushing .18 x .25 x .15
8	56002063	6	Wsh, Flt SAE 3/8	33	56463650	2	Handle, Grab
9	56002769	6	Nut, Hex Nyl Loc 3/8-16	34	56015424	1	Decal, Warning, Hydraulic
10	56385238	2	Spring, Gas	35	56001854	2	Scr, Hex Hd 1/4-20 x .50
11	56001878	4	Scr, Hex Hd 1/4-20 x 1.25	36	56009022	2	Wsh, Flt .75 x 1.25 x .12
12	56463642	1	Cover Weldment (Gas/LP)	37	56009017	2	Wsh, Flt Harden .51 x .93 x .07
*	56463728	1	Cover Weldment (Diesel)	38	56482464	1	Guard, Light
13	56009100	8	Scr, Pan Phil Thd Form 10-24 x .62	39	56009100	3	Scr, Pan Phil 10-24 x .62
14	56463663	1	Cover, LP Relief Valve (Gas)	40	56482463	1	Light, Strobe TSB 743
15	56002832	6	Nut, Hex Nyl Loc-Thin 10-24	41	56002768	3	Nut, Hex Nyl Loc-Thin 10-24
16	56483549	8'	Seal (247 cm)	42	56016282	2	Decal, 2067
17	56002520	1	Scr, Hex Thd Form 10-24 x .50	43	56016287	2	Decal, CR 1700
18	56002793	8	Scr, Pan Phil 5/16-18 x .75	44	56455982	1	Compression Latch (2067 after Dec. 1999 & all CR1700)
19	56463702	1	Radiator Grill	45	56002826	4	Nut, Hex Nyl Loc-Thin 5/16-18
20	56463706	1	Radiator Grill Weldment (Gas/LP) TSB716	46	56463698	1	Grill Weldment
*	56463729	1	Radiator Grill Weldment (Diesel)	5'	56385248	5'	Gasket (153 cm)
21	56001968	1	Scr, Hex Hd 1/2-13 x 1.50				
22	56001895	1	Scr, Hex Hd 1/2-13 x 1.00				
23	56002770	1	Nut, Hex Nyl Loc 1/2-13				
24	56463649	1	Panel, Rear Engine Weldment				

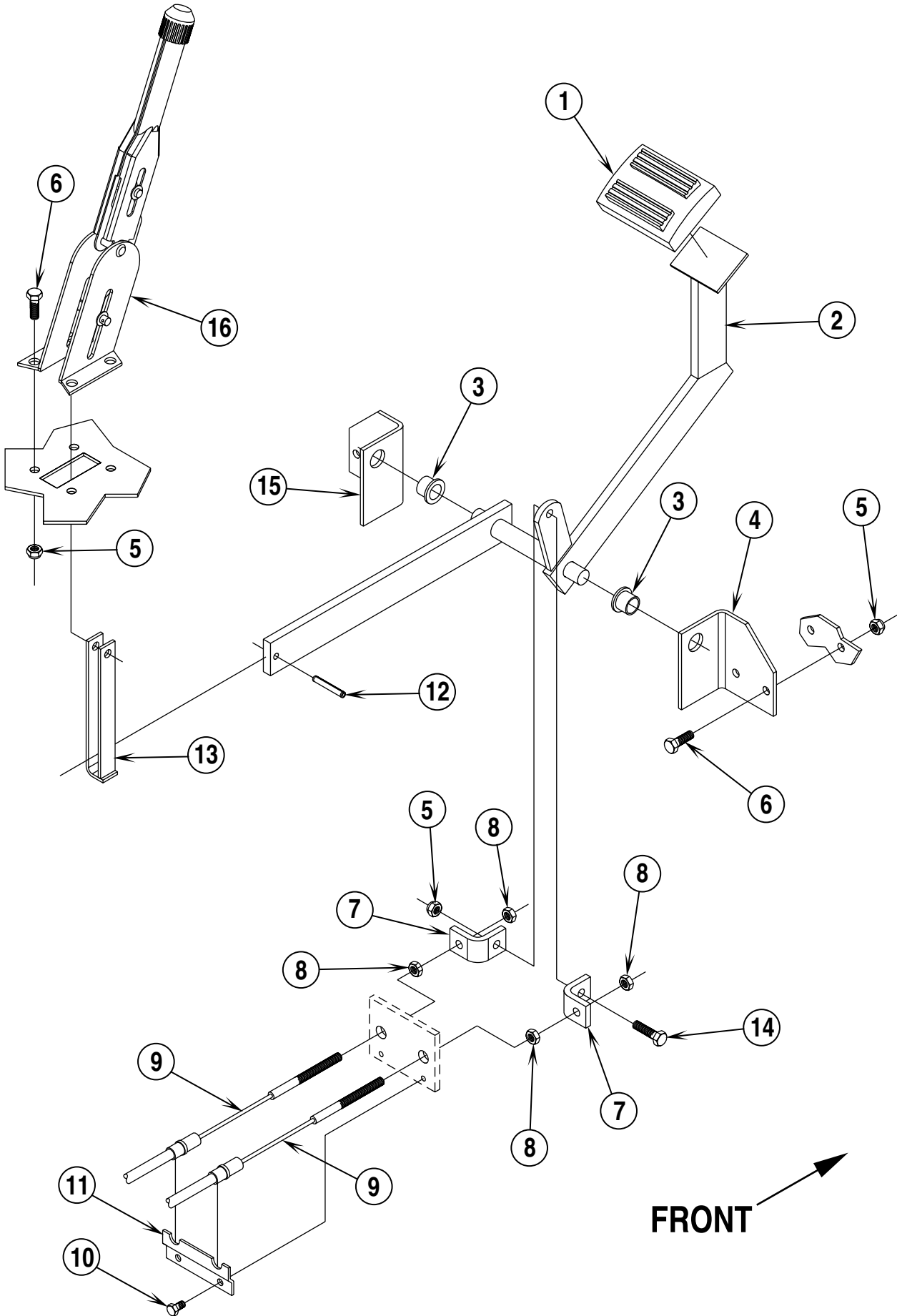
* = Not Shown



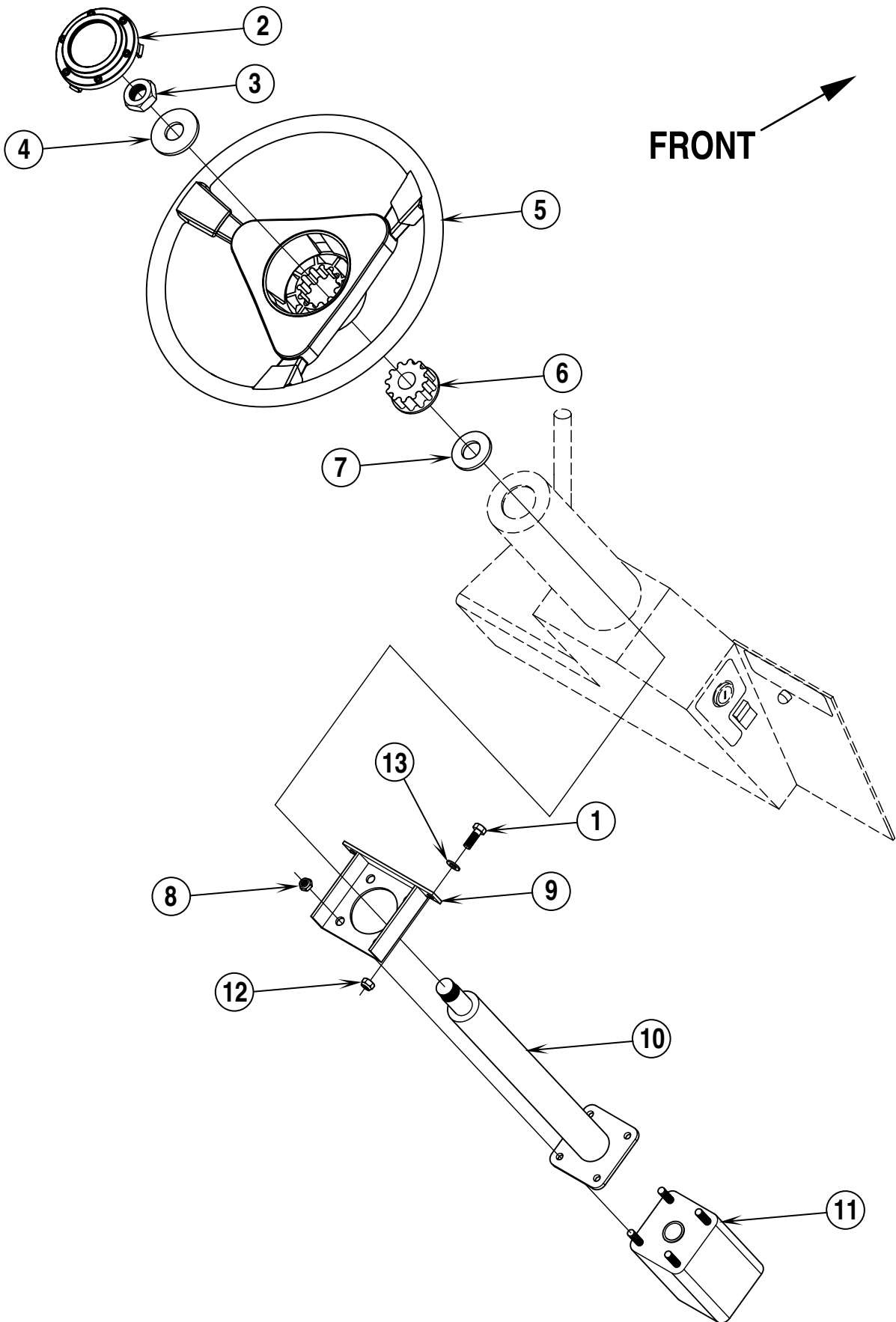


Item	Ref. No.	Qty	Description	Item	Ref. No.	Qty	Description
1	56391311	1	Hand Grip	23	56016188	1	Decal, Instrument
2	56489598	1	Gauge, Fuel Level	24	56002438	5	Scr, Hex Thd Form 8-32 x .50
3	56489592	1	Gauge, Pressure	25	56900227	2	Fuse Holder
4	56489600	1	Gauge, Temperature	26	56009209	1	Scr, Pan Phil Thd Form 10-24 x 1.00
5	56482044	1	Meter, Volt	27	56491862	1	Relay
6	56478363	1	Meter, Hour	28	56484057	1	Fuse, Relay Panel
7	56393492	1	Switch, (Hopper Open/Close)	29	56491870	1	Time Delay (Shaker Motor)
8	56015153	1	Decal, Caution	30	56009033	4	Scr, Hex Thd Form 1/4-20 x .80
9	56497755	1	Indicator Light (Glow Plug / Diesel)	31	56488292	1	Cable (Solution Valve)
10	56455819	1	Switch, (Throttle Control / Gas/LP)	32	56003053	2	Nut, Hex Nyl Loc-Thin 10-32
	56393312	1	Switch (Headlight / Diesel)	33	56488290	1	Rod End
11	56015738	1	Decal, Key & Throttle (Gas/LP)	34	56002769	1	Nut, Hex Nyl Loc 3/8-16
12	56100628	1	Key Switch Kit (Gas/LP)	35	56492792	1	Knob
	56497754	1	Key switch (Diesel)	36	56388326	1	Bushing .38 x .48 x .41
13	56449958	2	Pedal Mat	37	56462540	1	Lever Weldment
14	56462740	1	Floor Mat	38	56393312	1	Switch, (Squeegee Up/Down)
15	56393492	1	Switch, (Hopper Up/Down)	39	56393312	1	Switch, (Brushes On/Off)
16	56393492	1	Switch, (Side Broom Up/Down)	40	56483117	1	Indicator Lamp, Red (Hyd. Filter)
17	56016191	1	Decal, Wear Items (2067 Gas/LP)	41	56002683	2	Scr, Hex Thd Form 10-24 x .50 (Gas/LP)
	56016071	1	Decal, Wear Items (CR1700 Gas/LP)	42	56393312	1	Switch (Headlight / Gas/LP)
	56016190	1	Decal, Wear Items (2067 Diesel)	43	56100054	1	Bracket (Gas/LP)
	56016070	1	Decal, Wear Items (CR1700 Diesel)	44	56100036	1	Decal, Light (located near key switch on Diesel)
18	56463671	1	Cover, Floor	45	56366633	1	Bushing
19	56016201	1	Decal, Main Broom	46	56016550	1	Decal, Alarm
20	56015427	1	Decal, Warning, Tip Over	47	56015847	1	Decal, California Warning (2067 Diesel)
21	56483117	1	Indicator Lamp, Red (Hyd. Oil Temp.)				
22	56393312	1	Switch, (Side/Main Broom On/Off)				

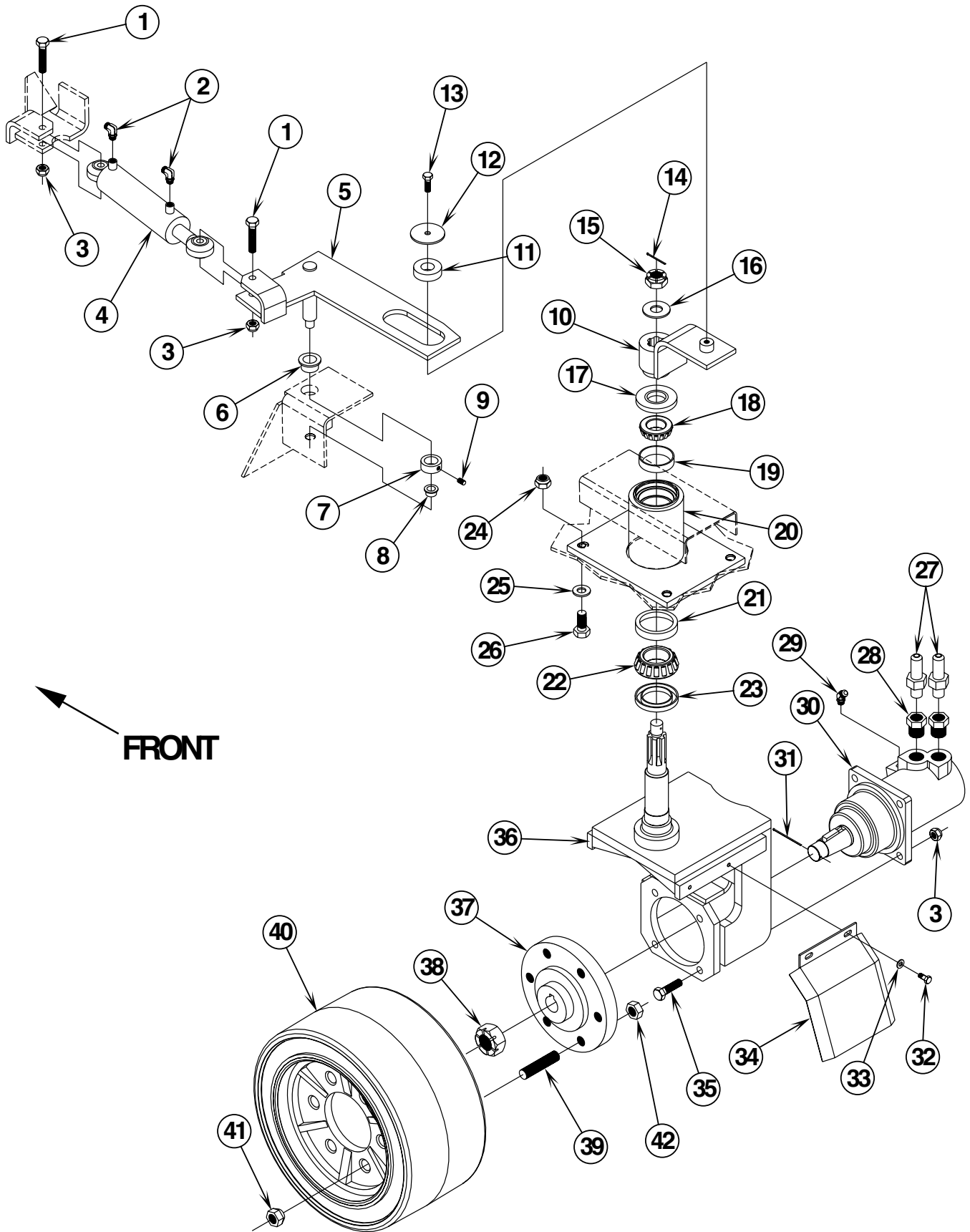




Item	Ref. No.	Qty	Description
1	56365002	1	Pad, Rubber
2	56462131	1	Brake Pedal Weldment
3	56171095	2	Bearing, Flange
4	56462136	1	Bracket, Right
5	56002701	9	Nut, Hex Nyl Loc 5/16-18
6	56002037	8	Scr, Hex Hd 5/16-18 x .88
7	56462920	2	Angle
8	56009102	4	Nut, Hex Jam 5/16-24
9	56486563	2	Brake Cable
10	56009033	2	Scr, Hex Thd Form 1/4-20 x .50
11	56462921	1	Bracket, Cable
12	56469872	1	Pin, Spr. .25 x 1.00
13	56462137	1	Yoke
14	56001834	1	Scr, Hex Hd 5/16-18 x 1.25
15	56462142	1	Bracket, Left
16	56448200	1	Brake Lever



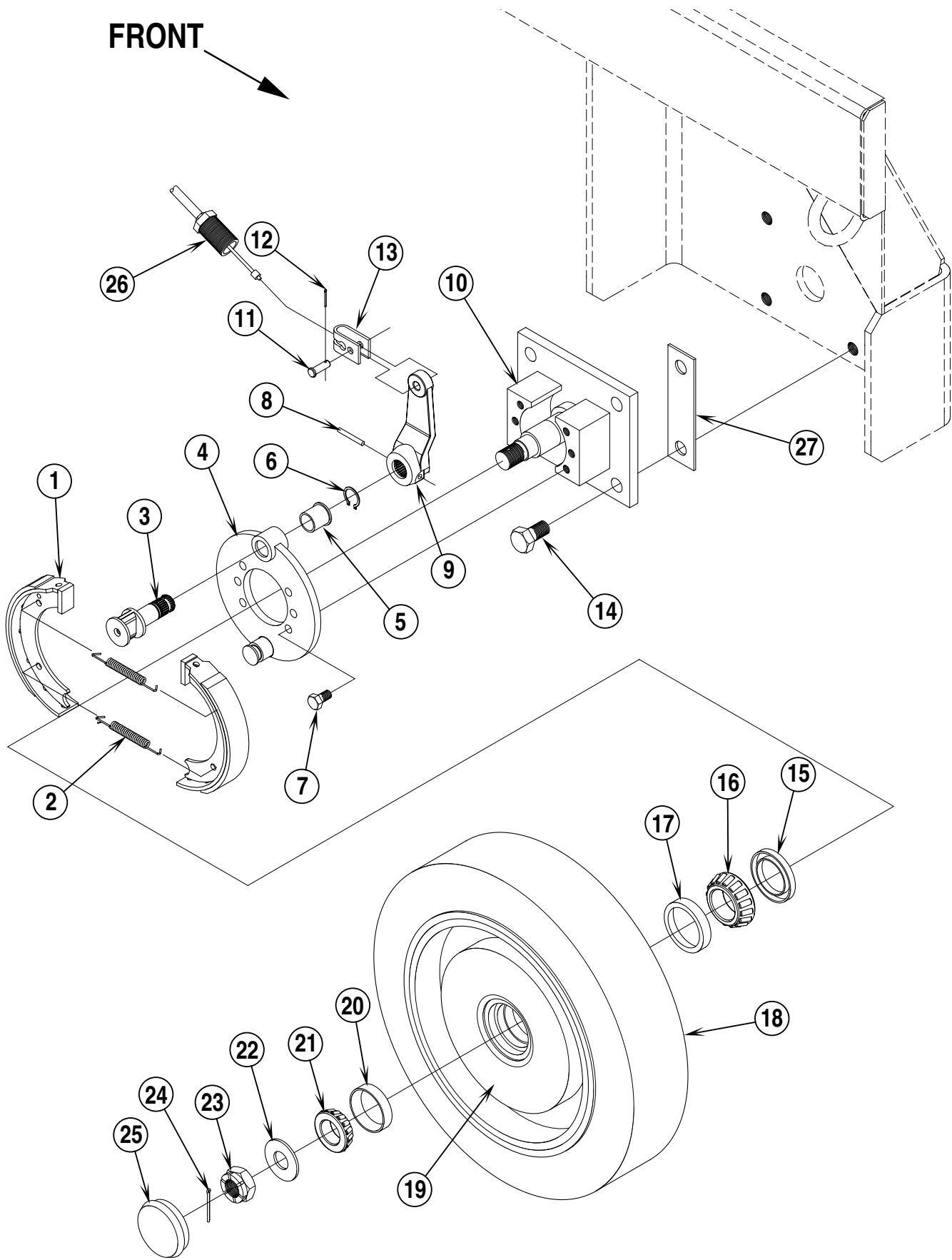
Item	Ref. No.	Qty	Description
1	56002037	2	Scr, Hex Hd 5/16-18 x .88
2	56497543	1	Cap
3	56488795	1	Nut
4	56003342	1	Wsh, Flt Std 7/8
5	56497306	1	Steering Wheel
6	56462378	1	Adaptor
7	56002228	1	Wsh, Flt SAE 7/8
8	56002950	4	Nut, Hex Nyl Loc 5/16-24
9	56488019	1	Power Steering Bracket
10	56462376	1	Steering Column
11	56462377	1	Steering Unit
12	56002701	2	Nut, Hex Nyl Loc 5/16-18
13	56001939	2	Wsh, Flt SAE 5/16



99-6	REAR WHEEL & STEERING	BOOK E		
01-1	Hydro-Retriever™ 2067 / CR 1700	E	11.3.1	15

Item	Ref. No.	Qty	Description
1	56002533	2	Scr, Hex Hd 1/2-13 x 2.50
2	56900101	2	90 Degree O/R Fitting
3	56002770	6	Nut, Hex Nyl Loc 1/2-13
4	56463367	1	Cylinder Assembly
*	56463048	1	Cylinder
*	56463366	2	Bushing
5	56462435	1	Lever Weldment
6	56444944	1	Bearing, Flange
7	56444820	1	Collar
8	56171095	1	Bearing, Flange
9	56002021	1	Scr, Set 5/16-18 x .50
10	56462432	1	Lever Weldment
11	56479430	1	Bearing, Ball
12	56462440	1	Washer
13	56003040	1	Scr, Hex Hd Loc 3/8-16 x .62
14	56002181	1	Pin, Cotter .12 x 1.50
15	56110817	1	Nut, Castle 7/8-14
16	56002228	1	Wsh, Flt SAE 7/8
17	56486730	1	Seal, Shaft
18	56486724	1	Bearing, Cone
19	56900075	1	Bearing, Cup
20	56463362	1	Housing Weldment
21	56744474	1	Bearing, Cup
22	56744471	1	Bearing, Cone
23	56477783	1	Seal, Shaft
24	56002847	4	Nut, Hex Nyl Loc SS 5/8-11
25	56002022	2	Wsh, Flt SAE 5/8
26	56001843	4	Scr, Hex Hd 5/8-11 x 1.50
27	56900055	2	Connector Ext. O/R
28	56900605	2	Reducer W/O-Ring
29	56900151	1	Elbow, 45 Deg O/R
30	56463353	1	Motor, Hydraulic
*	56463529	1	Rebuild Kit (for 56463353)
31	56002574	1	Pin, Cotter .156 x 3.00
32	56002956	2	Scr, Hex Hd Loc 5/16-18 x .75
33	56001939	2	Wsh, Flt SAE 5/8
34	56100024	1	Guard, Hose
35	56001920	4	Scr, Hex Hd 1/2-13 x 2.25
36	56463355	1	Spindle Weldment (2067 before Nov. 1999)
	56463831	1	Spindle Weldment (2067 after Oct. 1999 & all CR1700)
37	56463363	1	Hub, Wheel
38	56463039	1	Nut, Hex Slotted
39	56486716	6	Stud, Wheel
40	56463378	1	Wheel / Hub Assembly (2067 before Nov. 1999)
	56462443	1	Tire (2067 before Nov. 1999)
	56463354	1	Hub
	56463833	1	Wheel / Hub Assembly (2067 after Oct. 1999 & all CR1700)
	56463832	1	Tire (2067 after Oct. 1999 & all CR1700)
	56463354	1	Hub
41	56486843	6	Hex Lug Nut
42	56009083	6	Nut, Hex Jam 3/4-16

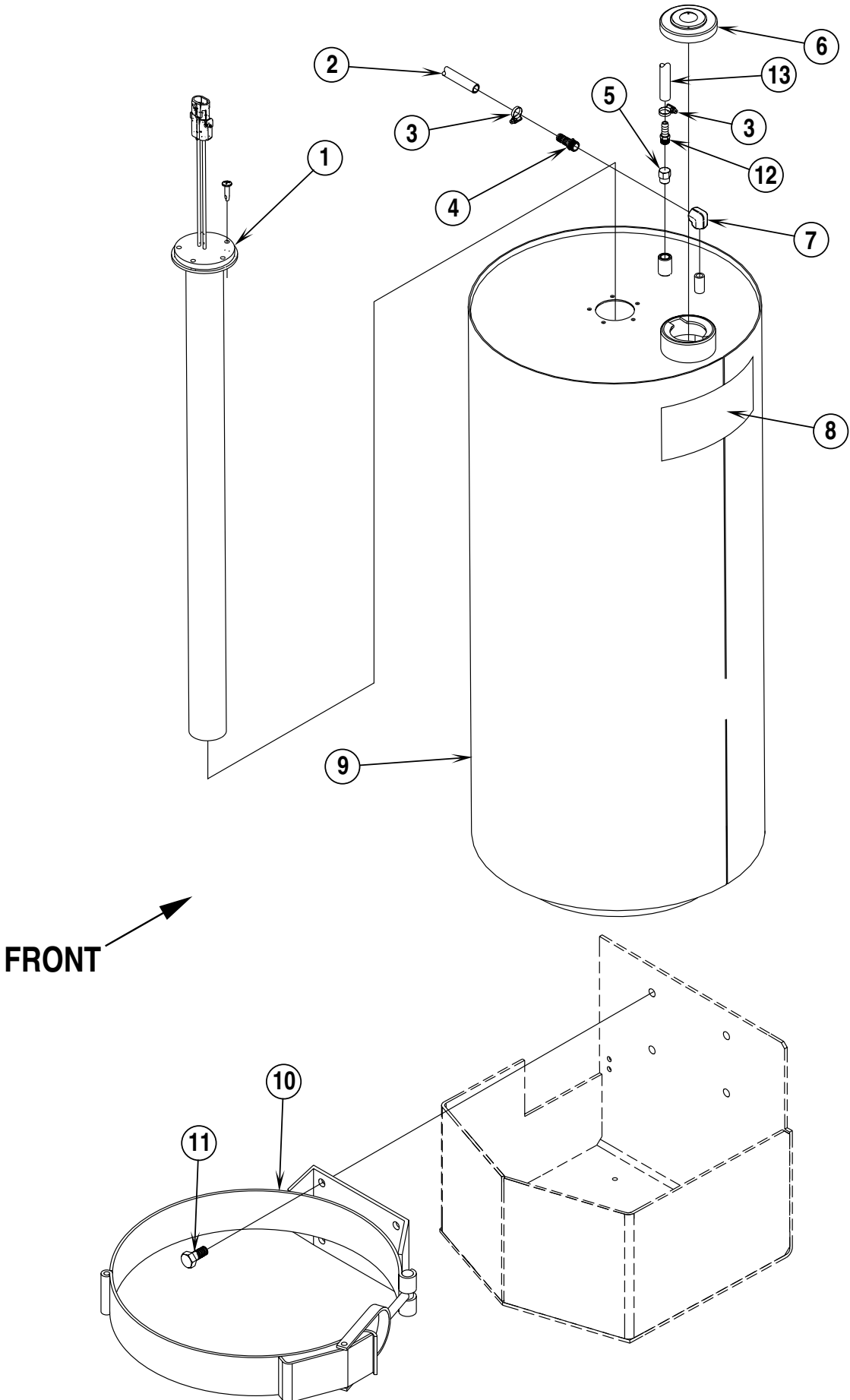
* = Not Shown



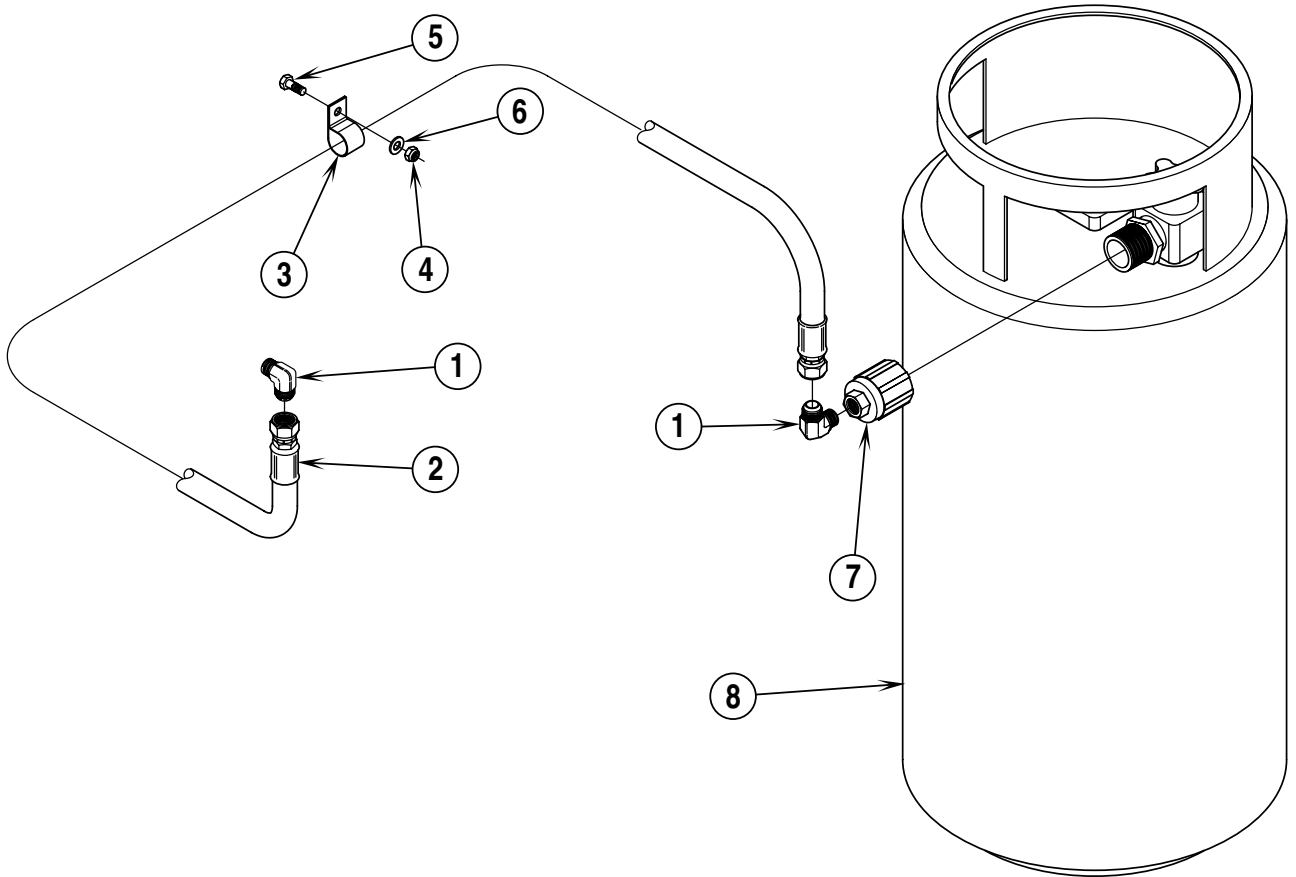
99-6	FRONT WHEELS	BOOK E		
01-1	Hydro-Retriever™ 2067 / CR 1700	E	11.3.1	17

Item	Ref. No.	Qty	Description
	56463613	2	Brake Assembly (#1-6)
	56463544	1	Right Axle Assembly (#1-10)
*	56462380	1	Left Axle Assembly (#1-10)
1	56409490	4	Shoe, Brake
2	56409491	4	Spring, Tension
3	56409683	2	Cam Assembly
*	56409682	2	Cam
*	56409681	2	Washer
4	56463612	2	Plate Weldment
5	56409472	2	Bearing, Flange
6	56003108	2	Ring, Ret Ext
7	56002271	12	Scr, Hex Loc 3/8-16 x .88
8	56002268	2	Pin, Spring .19 x 1.50
9	56409686	2	Arm, Brake
10	56462381	2	Axle Weldment
11	56493030	2	Pin, Clevis
12	56002946	2	Pin, Cotter .06 x 1.00
13	56493045	2	Yoke, Brake Cable
14	56003276	8	Scr, Hex Hd Loc 5/8-11 x 1.00
	56462385	2	Front Wheel Assembly (#15-19)
15	56171081	2	Seal, Shaft
16	56158151	2	Bearing, Cone
17	56158143	2	Bearing, Cup
18	56462388	2	Tire
19	56462386	2	Hub, Casting
20	56378259	2	Bearing, Cup
21	56448171	2	Bearing, Cone
22	56002228	2	Wsh, Flt SAE 7/8
23	56110817	2	Nut, Castle 7/8-14
24	56002181	2	Pin, Cotter .12 x 1.50
25	56462696	2	Cap, Hub
26	56462919	2	Adjuster, Brake
27	56463626	4	Spacer, Axle

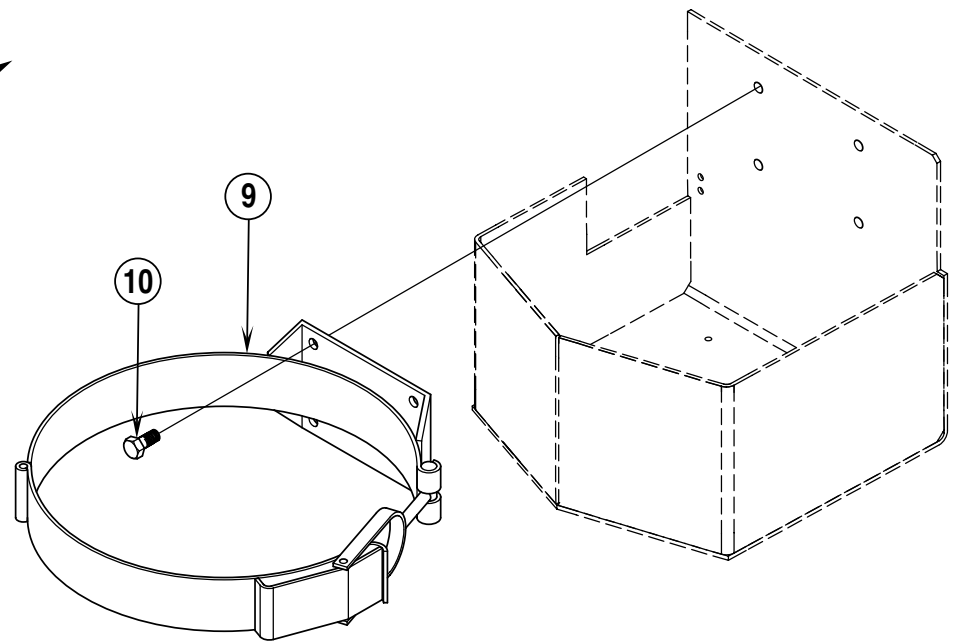
* = Not Shown



Item	Ref. No.	Qty	Description
	56455566	1	Fuel Tank Assembly (Gas)
	56463686	1	Fuel Tank Assembly (Diesel)
1	56455567	1	Fuel Level Sender
2	56481686	1	Tube, Rubber
3	56219932	2	Clamp, Hose SAE 6 (qty. of four on Diesel)
4	56477523	1	Barb, 5/16 x 1/8 NPT
5	56481546	1	Plug, Hex Pipe (Gas)
6	56478502	1	Cap, Fuel Tank
7	56111295	1	Elbow, 90 Deg.
8	56025454	1	Decal, Diesel Fuel (Diesel)
	56016226	1	Decal, Gasoline (Gas)
9	56455521	1	Fuel Tank Weldment
10	56462768	1	Clamp, Fuel Tank
11	56002271	4	Scr, Hex Hd 3/8-16 x .88
12	56369594	1	Barb, Adapter 1/4 x 1/8 NPT (Diesel)
13	56370002	6'	Flexible Fuel Line, Return (Diesel / 183 cm)

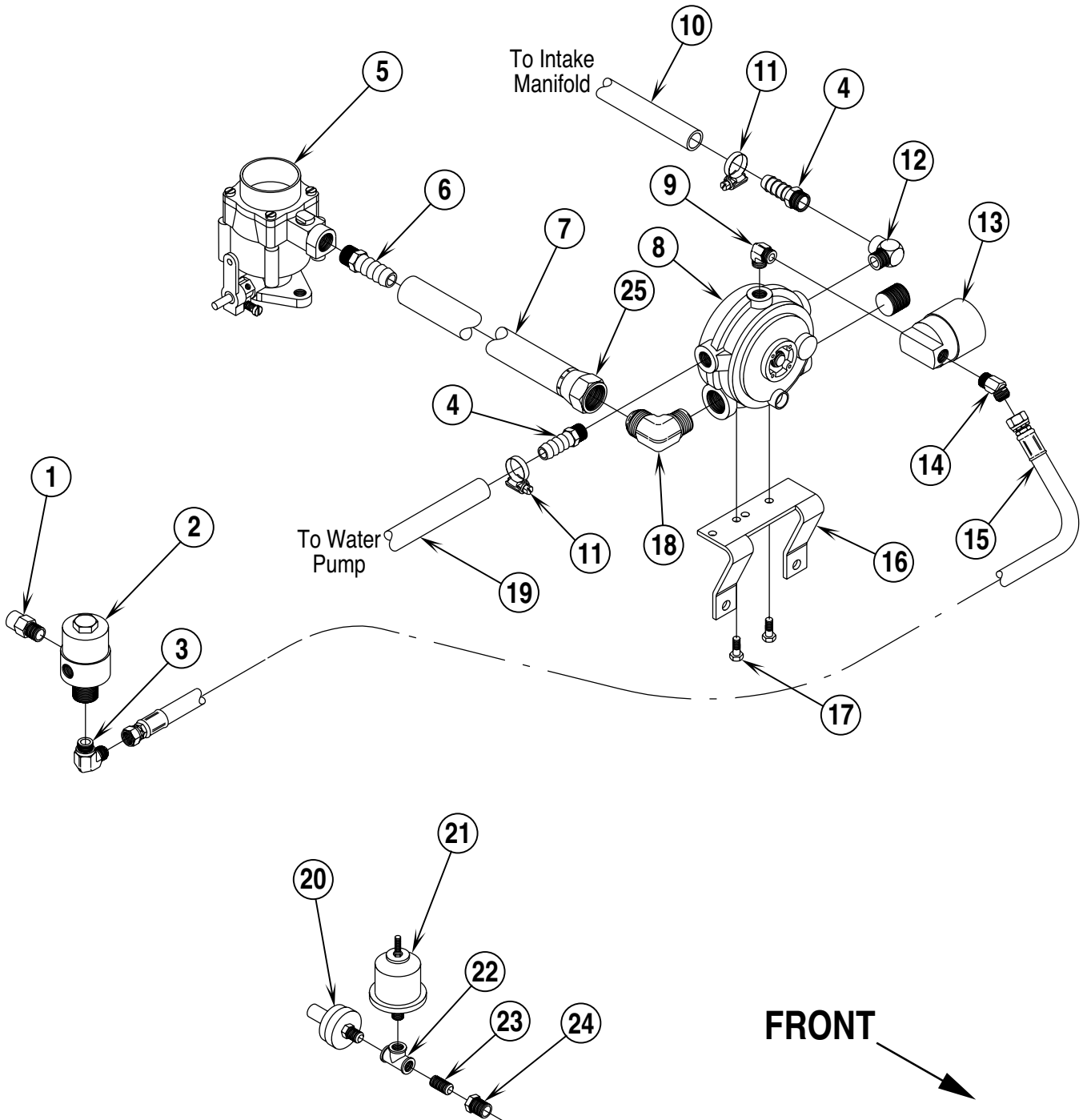


FRONT 



99-6	FUEL TANK ASSEMBLY (LP)	BOOK E		
01-1	Hydro-Retriever™ 2067 / CR 1700	E	11.3.1	21

Item	Ref. No.	Qty	Description
1	56456608	2	Elbow, Male 90
2	56456586	1	Hose Assembly, LP
3	56496276	1	Clamp, P
4	56002701	1	Nut, Hex Nyl Loc 5/16-18
5	56002221	1	Scr, Hex Hd 5/16-18 x 1.00
6	56001939	1	Wsh, Flt SAE 5/16
7	56369675	1	Coupler, Female
8	56456590	1	Tank, LP
9	56462768	1	Clamp, Fuel Tank
10	56002271	4	Scr, Hex Hd 3/8-16 x .88



99-6	LP SYSTEM	BOOK E		
01-1	Hydro-Retriever™ 2067 / CR 1700	E	11.3.1	23

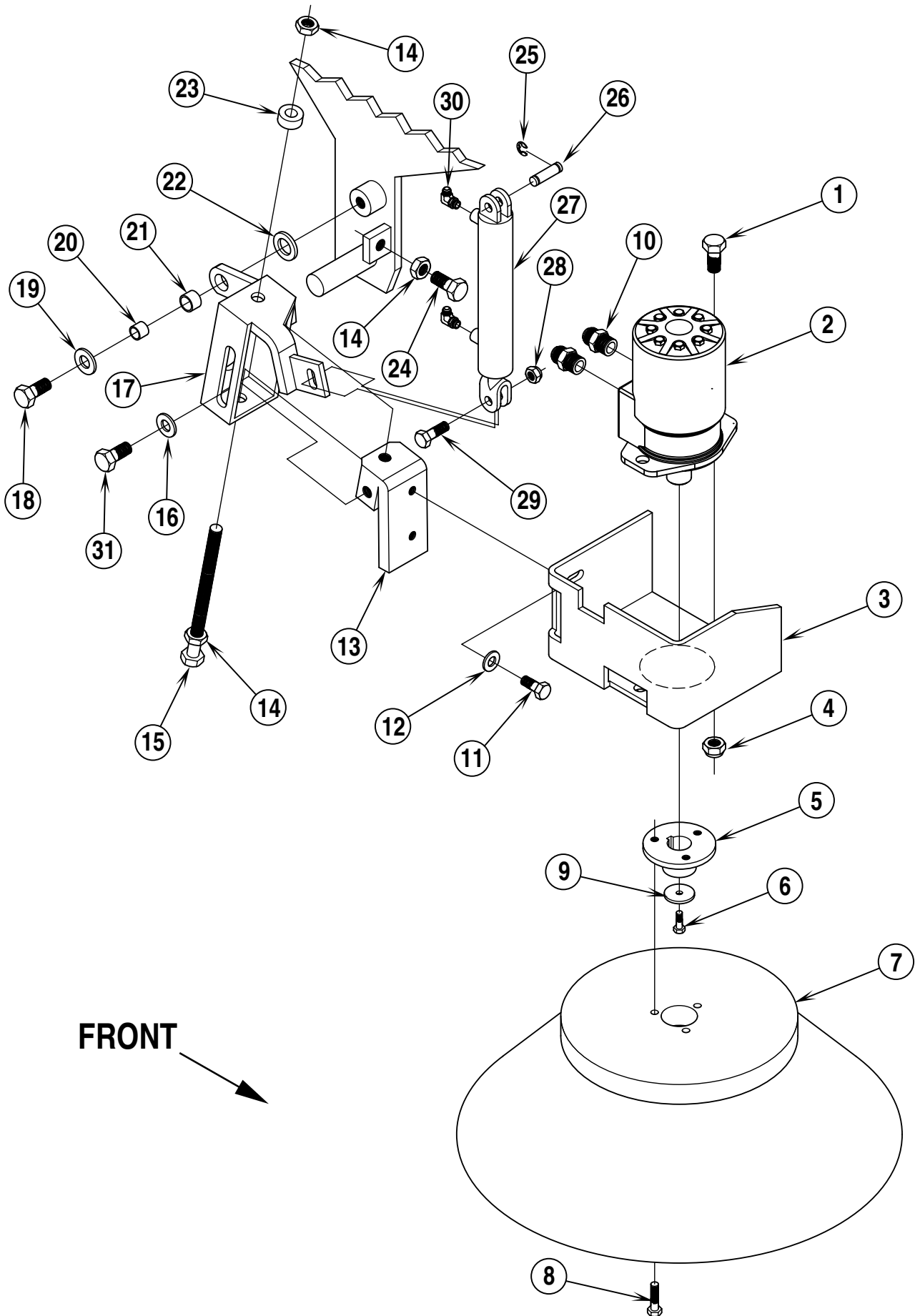
Item	Ref. No.	Qty	Description
1	56456624	1	Vent, 1/4 NPT
2	56456622	1	Fuel Filter
3	56456608	1	Elbow, Male 90
4	56456436	2	Barb, Hose
5	56462060	1	Carburetor, Propane
*	56455832	1	Replacement Throttle Lever
6	56443972	1	Barb, 1/2 x 3/8
7	56456596	1'	Hose, Push Lock (30 cm)
8	56456628	1	Regulator
9	56456610	1	Elbow, 90 Deg.
10	56462069	1	Hose
11	56112771	4	Clamp, Hose SAE 10
12	56900021	1	Elbow, Str 90 Deg.
13	56456626	1	Safety Shut-off Valve
14	56456598	1	Elbow, Male 45 Deg.
15	56456591	1	Hose
16	56462059	1	Bracket, Regulator
17	56001854	2	Scr, Hex Hd 1/4-20 x .50
18	56456602	1	Elbow, 90 Deg.
19	56462070	1	Hose
20	56493146	1	Pressure Switch
21	56478698	1	Sender, Pressure
22	56752020	1	Tee
23	56750746	1	Nipple
24	56740214	1	Bushing, Pipe
25	56456618	1	Fitting, Push Lock
*	56100026	1	Fuel Pump Block-Off Plate
*	56100027	1	Gasket (for 56100026)

* = Not Shown

99-6	HYDRAULIC OIL RESERVOIR ASSEMBLY	BOOK E		
01-10	Hydro-Retriever™ 2067 / CR 1700	E	11.3.1	25

Item	Ref. No.	Qty	Description
	56463108	1	Hydraulic Oil Tank Assembly (#1-7)
1	56479656	1	Filler Cap
2	56015589	1	Decal, Oil Fill
3	56463022	1	Hydraulic Reservoir Cover
4	56009018	8	Scr, Hex Thd Form 1/4-20 x .75
5	56209435	1	Gasket 1/8 x 1/2 x 72
6	56463098	1	Hydraulic Reservoir
7	56900106	2	Elbow, 90 Deg.
*	56463423	2	Nut, Bulkhead
*	56463424	2	Washer
8	56463343	1	Brace
9	56003039	2	Scr, Hex Hd Loc 1/4-20 x .50
10	56009039	6	Scr, Hex Thd Form 10-24 x .50
11	56900346	1	Tee (after SN 1508901)
12	56900467	1	Reducer (after SN 1508901)
13	56900506	1	Nut, Tube End (after SN 1508901)

* = Not Shown



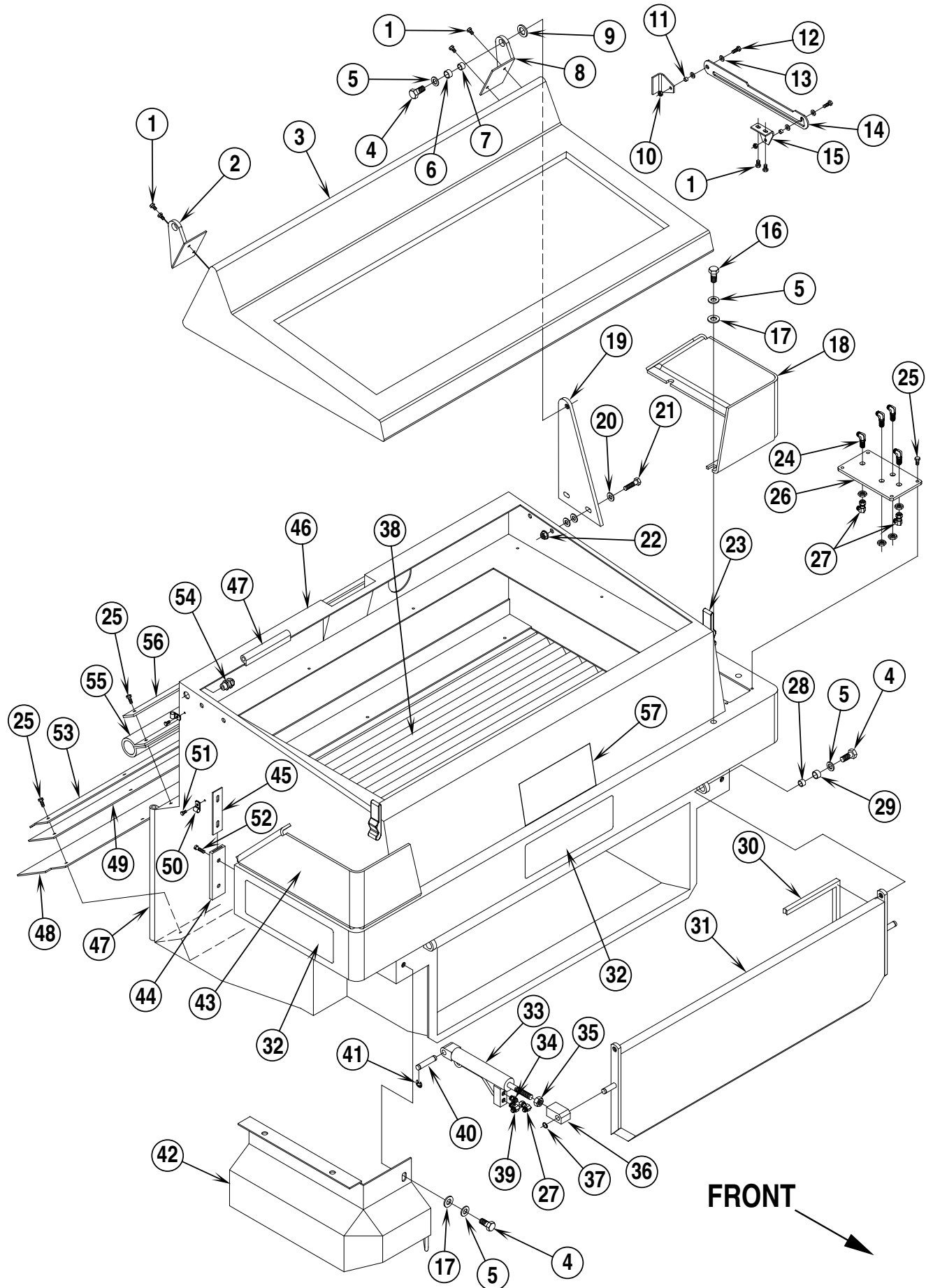
99-6	SIDE BROOM ASSEMBLY	BOOK E		
02-8	Hydro-Retriever™ 2067 / CR 1700	E	11.3.1	27

Item	Ref. No.	Qty	Description
	56462041	1	Right Side Broom Assembly
	56462042	1	Left Side Broom Assembly
1	56001831	2	Scr, Hex Hd 1/2-13 x 1.25
2	56463666	1	Brush Motor
*	56463667	1	Seal Kit for Brush Motor
3	56463532	1	Right Motor Mount
*	56463533	1	Left Motor Mount
4	56002770	2	Nut, Hex Nyl Loc 1/2-13
5	56479948	1	Hub
6	56002948	1	Scr, Hex Hd Loc 1/4-20 x .75
7	56462252	1	Broom, Side
**	56505629	1	Broom, Side
8	56003321	3	Scr, Hex Hd Loc 5/16-18 x 1.25
9	56009199	1	Wsh, Flt Brass .26 x 1.25 x .12
10	56900014	2	Connector, O/R
11	56002663	2	Scr, Hex Hd 3/8-16 x 1.00
12	56002063	2	Wsh, Flt SAE 3/8
13	56462031	1	Right Angle Bracket
*	56462030	1	Left Angle Bracket
14	56009016	3	Nut, Hex Jam 1/2-13
15	56462926	1	Bolt, Hex Hd
16	56009017	1	Wsh, Flt Harden .51 x .93 x .07
17	56462046	1	Right Broom Lift Bracket
*	56462047	1	Left Broom Lift Bracket
18	56463000	1	Screw
19	56001879	1	Wsh, Flt SAE 1/2
20	56367206	1	Bushing
21	56462848	1	Bushing
22	56009022	1	Wsh, Flt .75 x 1.25 x .12
23	56152811	1	Collar
24	56001895	1	Scr, Hex Hd 1/2-13 x 1.00
25	56003262	2	Ring, Ret. Ext. Type E
26	56462261	1	Pin
27	56462262	1	Cylinder
28	56453771	1	Lock Nut
29	56002095	1	Scr, Hex Hd 3/18-16 x 1.50
30	56900101	2	Elbow, 90 Deg. O/R
31	56003083	1	Scr, Hex Hd Loc 1/2-13 x 1.00

* = Not Shown

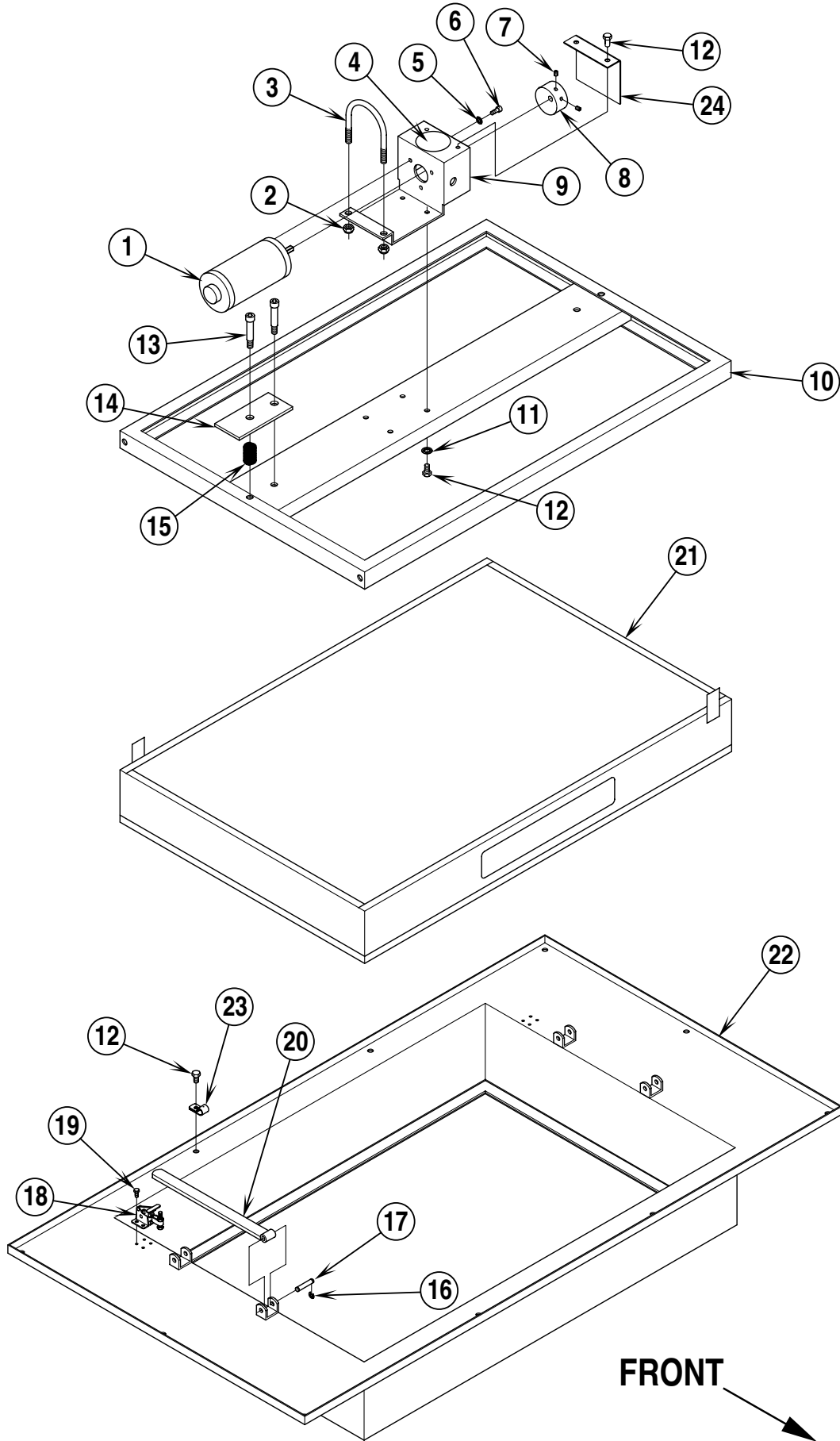
** = Optional

Note: All quantities represent one side broom assembly only.



Item	Ref. No.	Qty	Description
	56462269	1	Hopper Assembly
1	56009033	12	Scr, Hex Thd Form 1/4-20 x .50
2	56462307	1	Hinge Weldment, RH
3	56462311	1	Hood
4	56003022	10	Scr, Hex Loc 1/2-13 x 1.25
5	56009017	16	Wsh, Flt Harden .51 x .93 x .07
6	56367168	2	Bearing, Sleeve
7	56367206	2	Bushing
8	56462310	1	Hinge Weldment, LH
9	56009022	2	Wsh, Flt .75 x 1.25 x .12
10	56002840	2	Nut, Hex Nyl Loc-Thin 1/4-20
11	56206784	2	Bushing
12	56002155	2	Scr, Hex Hd 1/4-20 x .75
13	56002098	4	Wsh, Flt SAE 1/4
14	56462322	1	Latch
15	56462292	1	Bracket, Prop Rod
16	56003083	6	Scr, Hex Loc 1/2-13 x 1.00
17	56001879	12	Wsh, Flt SAE 1/2
18	56462821	1	Pylon, Left
19	56462312	2	Plate, Hinge
20	56002063	12	Wsh, Flt SAE 3/8
21	56001858	4	Scr, Hex Hd 3/8-16 x 1.25
22	56001894	4	Nut, Hex Serrated 3/8-16
23	56462316	2	Latch
*	56009051	4	Scr, Pan Phil Thd Form 8-32 x .38
*	56003093	4	Scr, Pan Phil Plastite 8-15 x .50
24	56900401	8	Elbow, 90° Union
25	56009018	18	Scr, Hex Thd Form 1/4-20 x .75
26	56100025	2	Plate
27	56900301	6	Elbow, 90° W/Nut
28	56360627	2	Bushing
29	56370878	2	Bearing, Sleeve
30	56478969	1	Gasket RS 1/2 x 1/2 x 192
31	56462299	1	Dump Door
32	56015428	3	Decal, Warning Hopper
33	56492477	2	Cylinder, Dump
34	56900001	2	Connector, O-Ring
35	56009089	2	Nut, Hex Jam 1/2-20
36	56484047	2	Tang, Rod, Cylinder
37	56003255	2	Ring, Ret Ext
38	56463005	1	Prefilter Weldment
39	56900101	2	Elbow, 90° O-Ring
40	56462298	2	Pin, Cylinder Dump
41	56003264	4	Ring, Ret Ext Type E
42	56462037	1	Rt. Broom Guard Weldment
*	56462036	1	Lt. Broom Guard Weldment
43	56462820	1	Pylon, Right
44	56463425	2	Bumper
45	56463426	2	Plate
46	56462270	1	Hopper Weldment
47	56483549	16'	Seal (5 m)
48	56462319	1	Blade, Hopper Bottom
49	56462320	1	Blade, Reinforcing
50	56342319	3	Clamp, Cable
51	56009039	4	Scr, Hex Thd Form 10-24 x .50
52	56002292	4	Scr, Pan Phil 1/4-20 x 1.00
53	56462321	1	Strap, Hopper Bottom
54	56323092	1	Strain Relief
55	56462317	1	Blade, Hopper Top
56	56462318	1	Strap, Hopper Top
57	56016284	1	Decal, 2067
	56016285	1	Decal, CR 1700
*	56462367	1	Hopper Cord Assembly

* = Not Shown

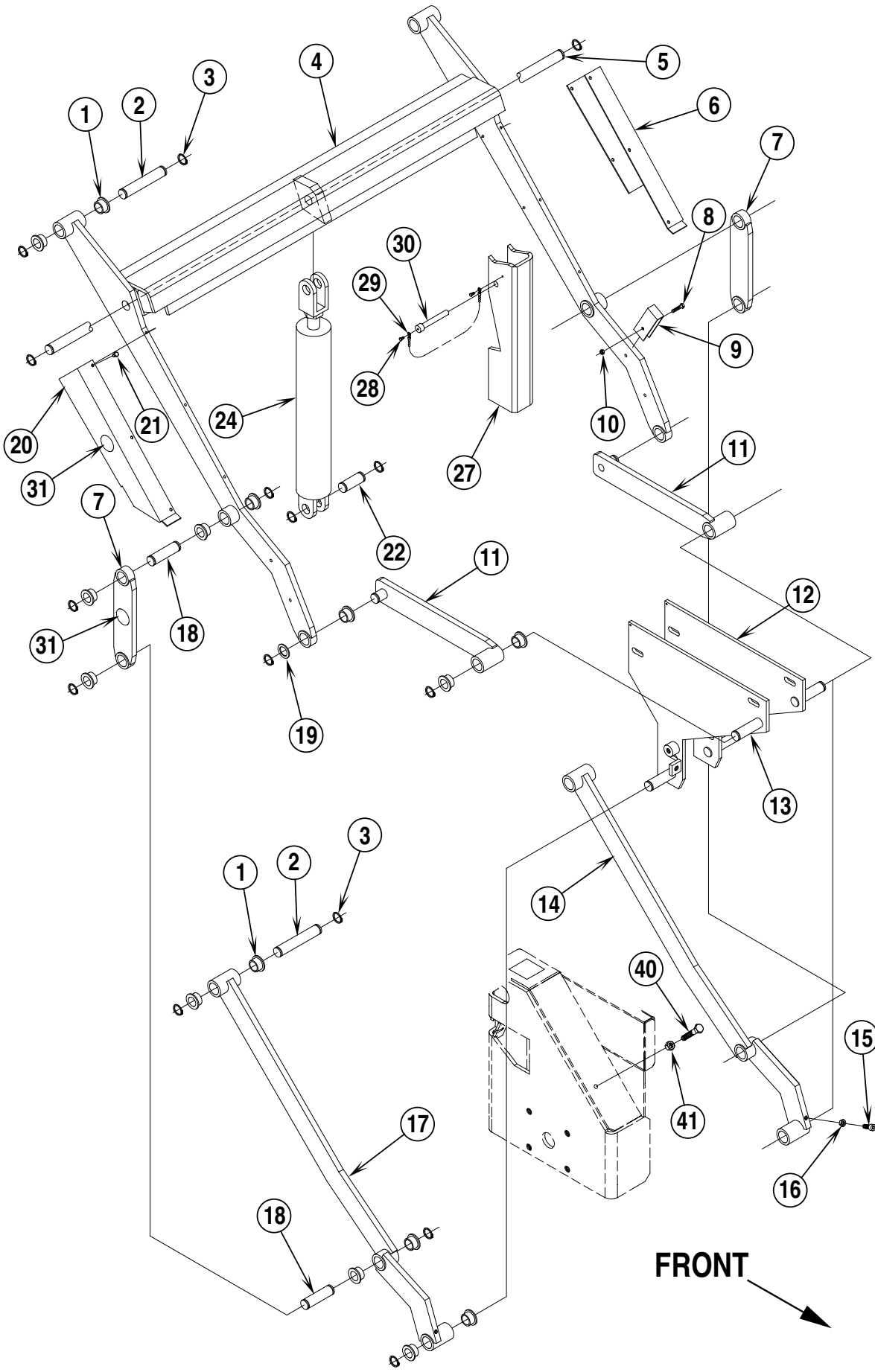


99-6	DUST CONTROL FILTER ASSEMBLY	BOOK E		
01-1	Hydro-Retriever™ 2067 / CR 1700	E	11.3.1	31

Item	Ref. No.	Qty	Description
	56482306	1	Hold Down Assembly (#1-15)
1	56491820	1	Motor, 12Vdc
*	56491823	1	Carbon Brush Set
2	56469021	2	Nut, Hex FlexLoc 5/16-18
3	56468329	1	U-Bolt
4	56030080	1	Decal, Hands Clear
5	56009011	3	Wsh, Int SHPRF #10
6	56002672	3	Scr, Soc Hd 10-32 x .50
7	56002015	2	Scr, Soc Set Loc 10-24 x .19
8	56491822	1	Eccentric
9	56468331	1	Mount, Motor
10	56482102	1	Hold Down Weldment
11	56009064	4	Wsh, Int SHPRF 1/4
12	56009033	16	Scr, Hex Thd Form 1/4-20 x .50
13	56002624	4	Scr, Soc Shd .38 x 1.25 x 5/16-18
14	56489109	2	Bracket
15	56171177	2	Spring, Com.
16	56003268	4	Ring, Ret Ext Type E
17	56491826	2	Pin
18	56491860	2	Clamp, Hold Down
19	56009075	8	Scr, Hex Thd Form 8-32 x .38
20	56491848	2	Lever Weldment
21	56482305	1	Filter, Panel Assembly
*	56482050	1	Filter, Panel
*	56482120	1	Gasket, 1/2 x 1/2
*	56023320	1	Decal, Filter
22	56482301	1	Filter Housing Weldment (NOTE)
23	56342319	1	Clamp, Cable
24	56463805	1	Cover, Shaker (2067 after Dec. 1999 & all CR1700)

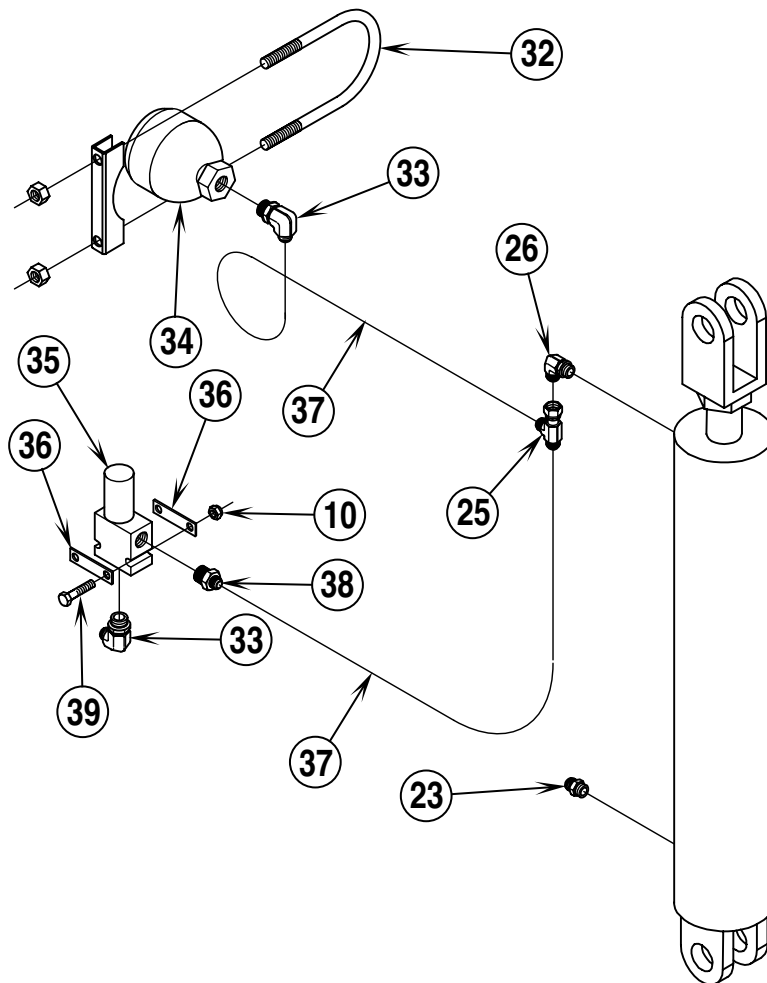
* = Not Shown

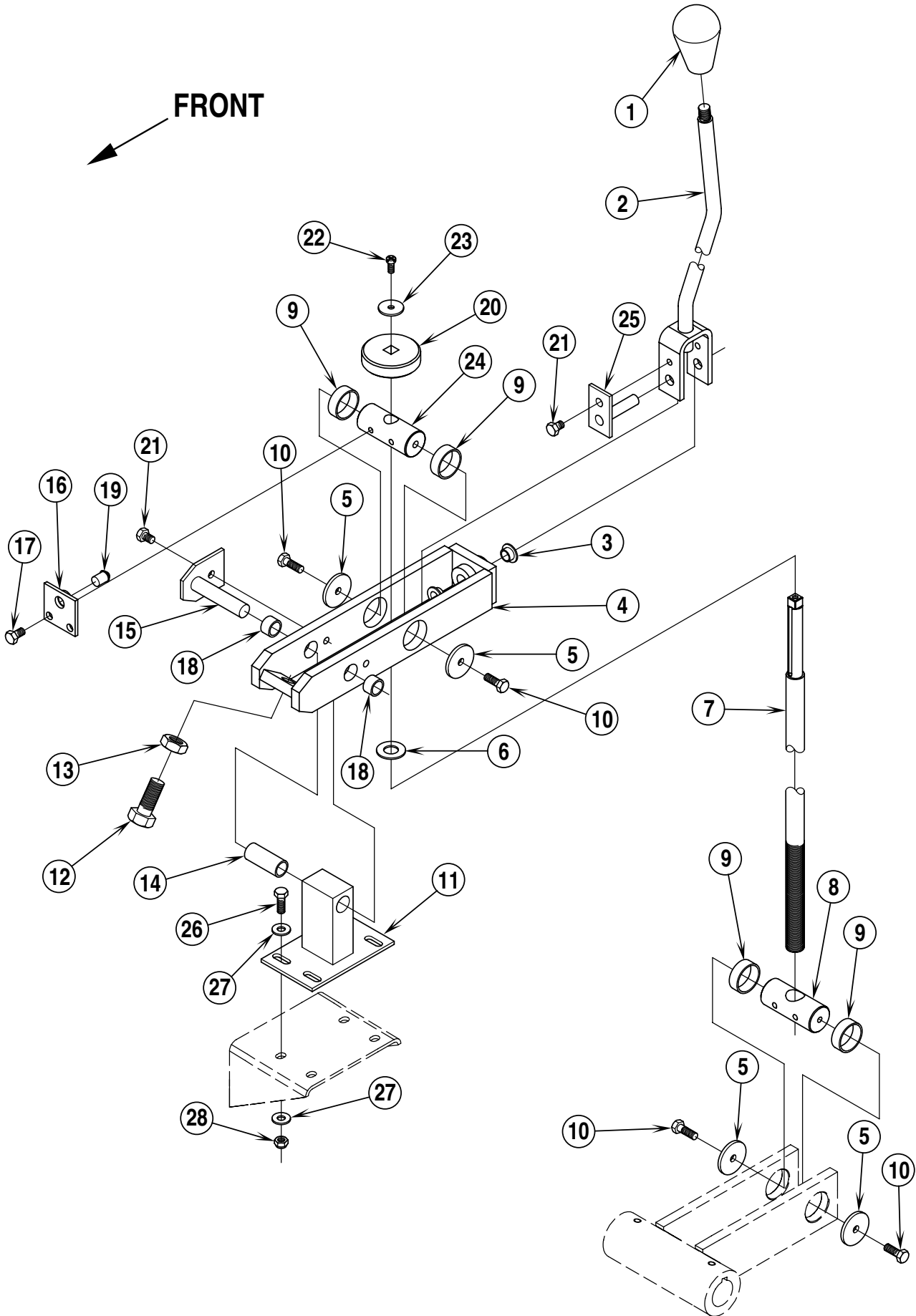
NOTE: When installing item 15, apply a bead of silicon rubber underneath to seal it to the hopper weldment.



Item	Ref. No.	Qty	Description	Item	Ref. No.	Qty	Description
1	56444944	30	Bearing, Flange	23	56900001	1	Connector, O-Ring
2	56462708	4	Pin, Arm	24	56100038	1	Cylinder, Hyd. (refer below)
3	56003258	26	Ring, Ret. Ext.	25	56900341	1	Tee, Run W/Nut
4	56462208	1	Arm Weldment	26	56900101	1	Elbow, 90° O/R
5	56462707	1	Pin, Cylinder, Long	27	56462901	1	Safety Channel Weldment
6	56462716	1	Shield, Hose LH	28	56002438	2	Scr, Hex Thd Form 8-32 x .50
7	56462224	2	Rotation Arm Weldment	29	56209603	1	Chain
8	56001878	4	Scr, Hex Hd 1/4-20 x 1.25	*	56311057	2	Coupler, Chain
9	56462586	4	Bracket	30	56100000	1	Pin
10	56002708	2	Nut, Hex Nyl Loc 1/4-20	31	56030080	4	Decal, Hand's Clear
11	56462203	2	Hopper Arm Weldment	32	56463420	1	Clamp, W/Saddle & Nuts
12	56462710	1	Plate Weldment, Left	33	56900110	2	Elbow, 90 Deg. O/R
13	56462713	1	Plate Weldment, Right	34	56463416	1	Accumulator
14	56462201	1	Lower Left Arm Weldment	35	56463419	1	Solenoid Valve
15	56002752	2	Scr, Soc Hd 3/8-16 x 1.00	36	56463421	2	Bracket, spacer
16	56003015	2	Nut, Hex Jam SS 3/8-16	37	56462406	2	Hose
17	56462193	1	Lower Right Arm Weldment	38	56900011	1	Connector, O/R
18	56462709	4	Pin, Lower Arm	39	56001967	2	Scr, Hex Hd 1/4-20 x 1.75
19	56494001	2	Bearing, Thrust	40	56001831	2	Scr, Hex Hd 1/2-13 x 1.25
20	56462717	1	Shield, Hose RH	41	56001890	2	Nut, Hex Jam Heavy 1/2-13
21	56009033	10	Scr, Hex Thd Form 1/4-20 x .50				
22	56418625	1	Pin, Cylinder, Short				

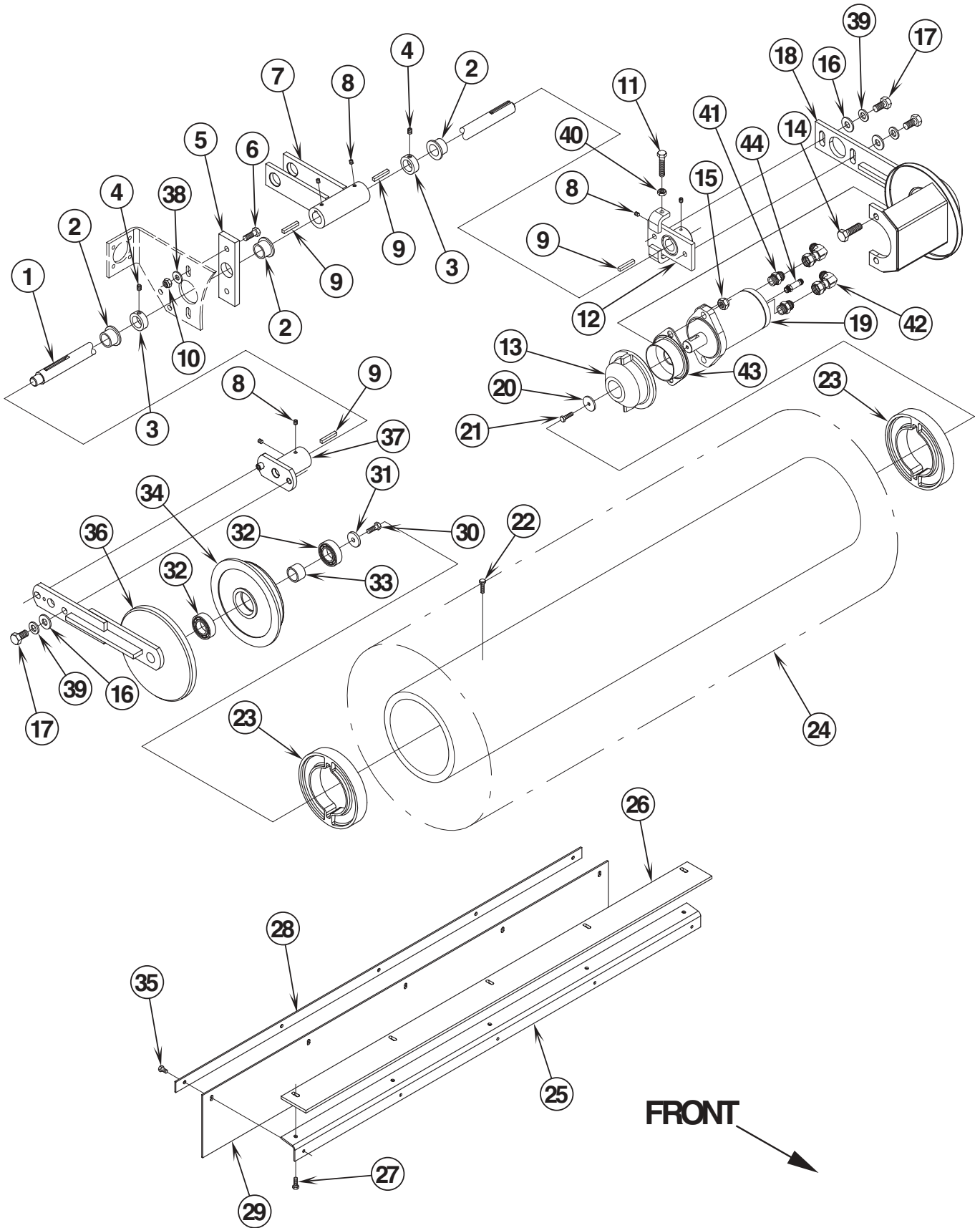
* = Not Shown





99-6	MAIN BROOM LEVER ASSEMBLY	BOOK E		
01-1	Hydro-Retriever™ 2067 / CR 1700	E	11.3.1	35

Item	Ref. No.	Qty	Description
	56462161	1	Main Broom Lever Assembly
1	56492792	1	Knob
2	56462165	1	Main Broom Lever Weldment
3	56483687	2	Bearing, Flange
4	56483353	1	Pivot Weldment
5	56009199	4	Wsh, Flt Brass
6	56468127	1	Bearing, Thrust
7	56462150	1	Bar, Lift
8	56462148	1	Pin
9	56483716	4	Bearing, Sleeve
10	56002948	4	Scr, Hex Hd Loc 1/4-20 x .75
11	56462162	1	Pivot Mount Weldment
12	56001831	1	Scr, Hex Hd 1/2-13 x 1.25
13	56001890	1	Nut, Hex Jam 1/2-13
14	56483345	1	Bearing, Sleeve
15	56483356	1	Pin Weldment
16	56483355	1	Latch Plate Weldment
17	56009033	2	Scr, Hex Thd Form 1/4-20 x .50
18	56372201	2	Bearing, Sleeve
19	56361321	1	Catch, Bullet
20	56483359	1	Knob
21	56002530	2	Scr, Hex Wsh Hd Thd Form 1/4-20 x .38
22	56009082	1	Scr, Pan Phil Thd Form 10-24 x .50
23	56009096	1	Wsh, Flt
24	56483357	1	Pin
25	56483674	1	Pin Weldment
26	56001821	4	Scr, Hex Hd 1/4-20 x .88
27	56002098	4	Wsh, Flt SAE 1/4
28	56002708	4	Nut, Hex Nyl Loc 1/4-20

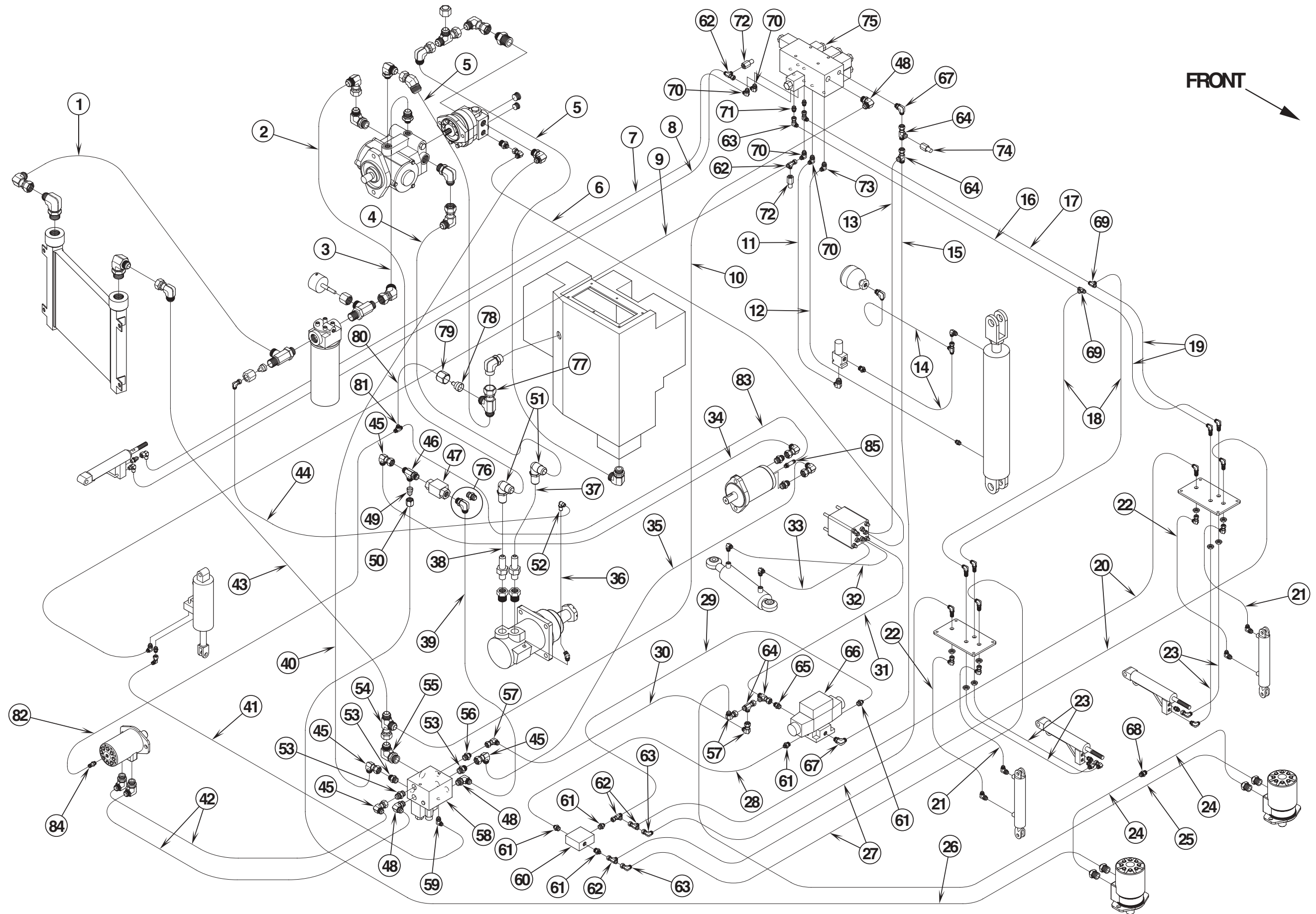


99-6	MAIN BROOM	BOOK E		
01-10	Hydro-Retriever™ 2067 / CR 1700	E	11.3.1	37

Item	Ref. No.	Qty	Description
1	56462149	1	Shaft, Main Broom
2	56491650	3	Bearing, Flange
3	56444820	2	Collar
4	56002021	2	Scr, Soc Set Loc 5/16-18 x .38
5	56483193	1	Block, Bearing
6	56001858	2	Scr, Hex Hd 3/8-16 x 1.25
7	56483153	1	Collar
8	56900262	8	Scr, Set Soc Hd SS 1/4-20 x .31
9	56442135	4	Key, Square .25 x 1.25
10	56002769	2	Nut, Hex Nyl Loc 3/8-16
11	56002470	2	Scr, Hex Thd/Hd 3/8-16 x 2.00
12	56483141	1	Main Broom Adjustment Weldment
13	56477762	1	Hub, Driver
14	56001995	2	Scr, Hex Hd 1/2-13 x 1.75
15	56002770	2	Nut, Hex Nyl Loc 1/2-13
16	56001879	3	Wsh, Flt SAE 1/2
17	56001895	3	Scr, Hex Hd 1/2-13 x 1.00
18	56483144	1	Arm Weldment
19	56483195	1	Motor, Hyd. (w/key) TSB 738 / TSB 777
*	56479577	1	Seal Kit (for 56483195)
20	56009199	1	Wsh, Flt Brass
21	56001821	1	Scr, Hex Hd 1/4-20 x .88
22	56002552	8	Scr, Hex Hd Type 25 1/4-20 x 1.25
23	56493501	2	Insert, Broom
24	56505071	1	Broom, Main, 8 row polypropylene
**	56505240	1	Broom, Main, proex and wire
25	56462157	1	Support, Blade
26	56462160	1	Blade, Internal Broom
27	56002948	5	Scr, Hex Loc 1/4-20 x .75
28	56462158	2	Strap, Blade
29	56462159	1	Blade, Broom Housing
30	56002956	1	Scr, Hex Loc 5/16-18 x .75
31	56358959	1	Washer, Plated
32	56479430	2	Bearing, Ball
33	56479434	1	Bushing
34	56493845	1	Hub, Idler
35	56009033	5	Scr, Hex Thd Form 1/4-20 x .50
36	56483138	1	R.S. Arm Weldment
37	56483136	1	Collar Weldment
38	56002063	2	Wsh, Flt SAE 3/8
39	56009017	3	Wsh, Flt Hardened
40	56009085	2	Nut, Hex Jam 3/8-16
41	56900004	2	Connector O/R
42	56900304	2	Elbow, 90° W/Nut
43	56455997	1	Broom Motor Seal Guard
44	56900051	1	Connector (after SN 1508901)

* = Not Shown

** = Optional



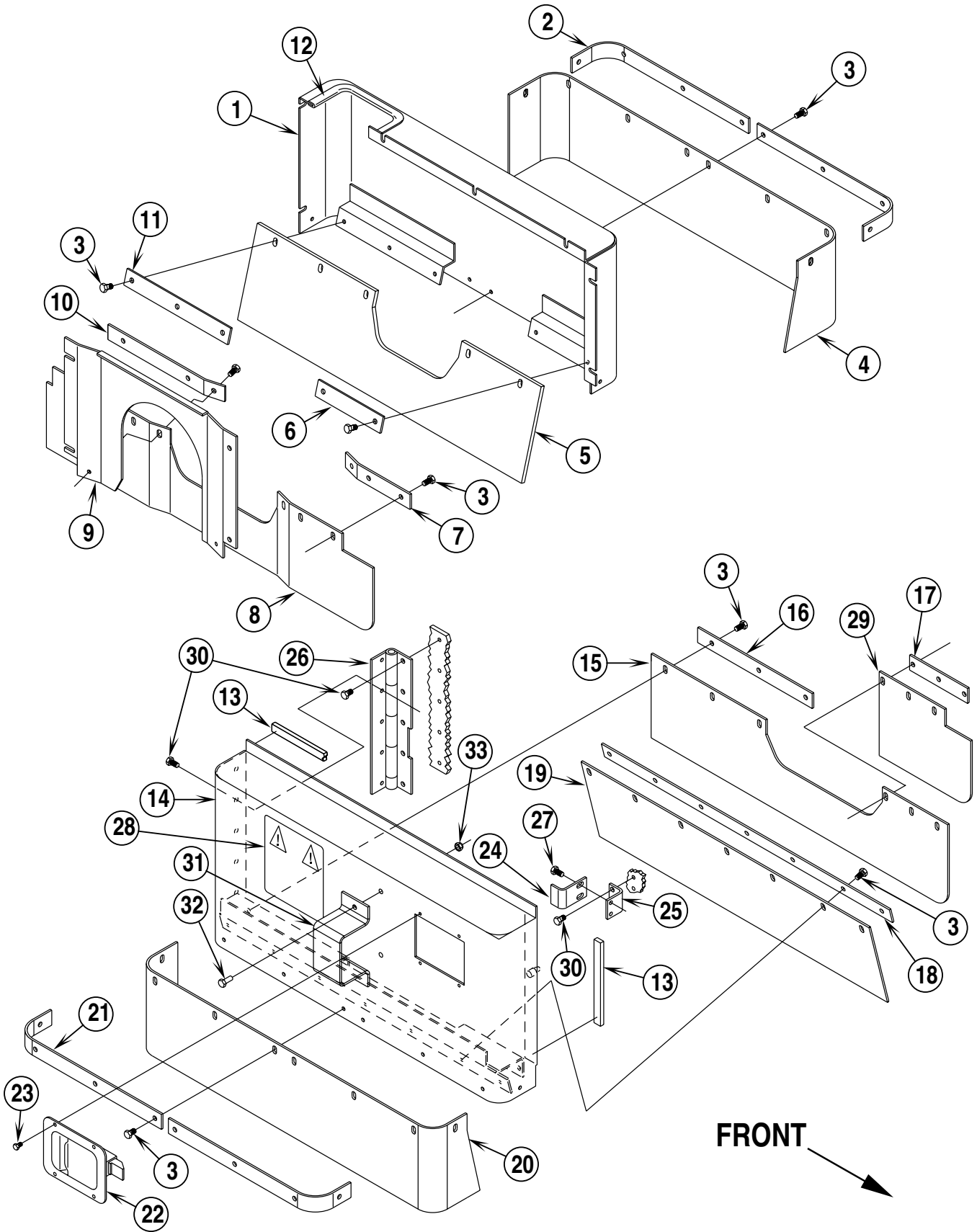
Item	Ref. No.	Qty	Description
1	56463723	1	Hose
2	56462427	1	Hose
3	56492102	1	Hose
4	56462426	1	Hose
5	56488484	2	Hose
6	56462409	1	Hose (connects to "IN" port of steering unit)
7	56462422	1	Hose (connects to "M" port of cylinder valve)
8	56462422	1	Hose (connects to "N" port of cylinder valve)
9	56462430	1	Hose (connects to "H" port of cylinder valve)
10	56463725	1	Hose (connects to "T" port of cylinder valve and "T" port of motor valve)
11	56462405	1	Hose (connects to "J" port of cylinder valve)
12	56462404	1	Hose (connects to "I" port of cylinder valve)
13	56462410	1	Hose (connects to "P" port of cylinder valve and "AUX" port of steering unit)
14	56462406	2	Hose
15	56462408	1	Hose (connects to "P" port of cylinder valve)
16	56462417	1	Hose (connects to "L" port of cylinder valve)
17	56462417	1	Hose (connects to "K" port of cylinder valve)
18	56462979	2	Hose
19	56462978	2	Hose
20	56462399	2	Hose
21	56462396	2	Hose
22	56462397	2	Hose
23	56462395	4	Hose
24	56462981	2	Hose
25	56462985	1	Hose
26	56463095	1	Hose
27	56462829	2	Hose
28	56463056	1	Hose
29	56463057	1	Hose
30	56484314	1	Hose (connects to "F" port of motor valve)
31	56462880	1	Hose (connects to "OUT" port of steering unit)
32	56462411	1	Hose (connects to "RT" port of steering unit)
33	56462412	1	Hose (connects to "LT" port of steering unit)
34	56463101	1	Hose
35	56462189	1	Hose (connects to "D" port of motor valve)
36	56488745	1	Hose
37	56462983	1	Hose
38	56462982	1	Hose
39	56469093	1	Hose (connects to "E" port of motor valve) (2067 before Jan. 2000)
	56496216	1	Hose (connects to "E" port of motor valve) (2067 after Dec. 1999 & all CR1700)

99-6	HYDRAULIC SYSTEM	BOOK E		
01-10	Hydro-Retriever™ 2067 / CR 1700	E	11.3.1	41

Item	Ref. No.	Qty	Description
40	56496216	1	Hose (connects to "P" port of motor valve)
41	56462405	1	Hose
42	56462403	2	Hose
43	56463724	1	Hose (connects to "T" port of motor valve)
44	56488743	1	Hose
45	56900304	4	Elbow, 90 Deg W/Nut
46	56900204	1	Tee, Run O/R
47	56406273	1	Valve, 2-Way, Ball
48	56900104	4	Elbow, 90 Deg O/R (qty of 3 on 2067 after Dec. 1999 & all CR1700 / see #76)
49	56900463	1	Reducer
50	56900504	1	Nut
51	56900406	2	Elbow, Union
52	56900401	1	Elbow, Union
53	56900004	3	Connector, O/R (qty of 4 on 2067 after Dec. 1999 & all CR1700 / see #76)
54	56900346	1	Tee, Run W/Nut
55	56900106	1	Elbow, 90 Deg W/Nut
56	56900013	1	Connector, O/R
57	56900303	3	Elbow, 90 Deg W/Nut
58	56462079	1	Valve, Motor
59	56900110	1	Elbow, 90 Deg O/R
60	56462394	1	Valve, Check 3-Way
61	56900011	5	Connector, O/R
62	56900341	5	Tee, Run W/Nut
63	56900301	4	Elbow, 90 Deg W/Nut
64	56900343	4	Tee, Run W/Nut
65	56900003	1	Connector, O/R
66	56462187	1	Valve, Side Broom Lift
67	56900103	2	Elbow, 90 Deg O/R
68	56900873	1	Fitting, Union
69	56900441	2	Tee, Union
70	56900101	4	Elbow, 90 Deg O/R
71	56900001	2	Connector, O/R
72	56900906	2	Test Nipple
73	56463519	1	Orifice Assembly
74	56900907	1	Test Nipple
75	56462144	1	Valve, Cylinder
*	56463622	1	Pressure Switch
76	56900104	1	Elbow, 90 Deg O/R (2067 before Jan. 2000)
	56900004	1	Connector, O/R (2067 after Dec. 1999 & all CR1700)
77	56900346	1	Tee (after SN 1508901)
78	56900467	1	Reducer (after SN 1508901)
79	56900506	1	Nut, Tube End (after SN 1508901)
80	56463734	1	Hose Assembly, 24" (after SN 1508901)
81	56900441	1	Tee (after SN 1508901)
82	56460103	1	Hose Assembly, 40" (after SN 1508901)
83	56463736	1	Hose Assembly, 60" (after SN 1508901)
84	56900001	1	Connector (after SN 1508901)
85	56900051	1	Connector (after SN 1508901)

* = Not Shown

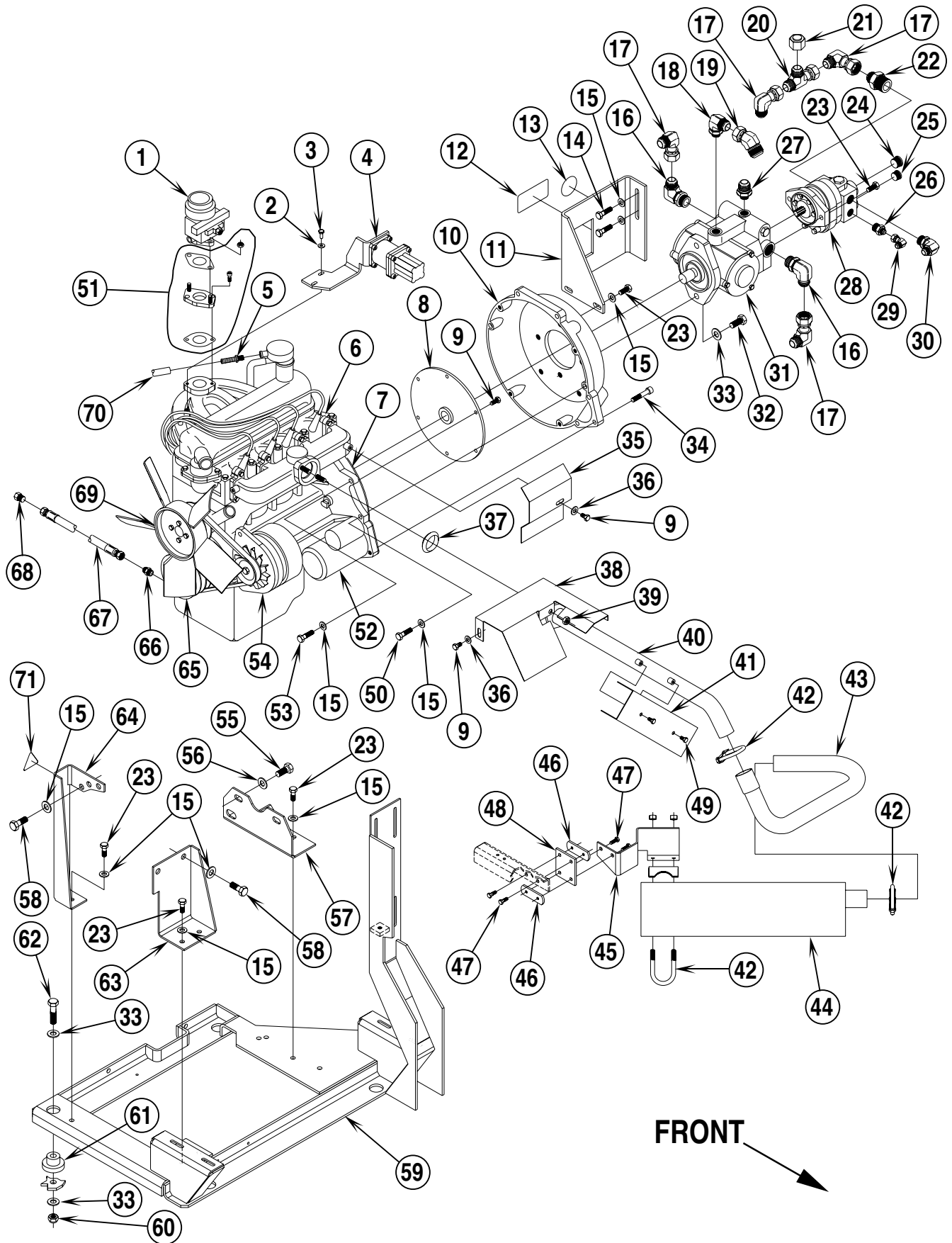
NOTE: Any hydraulic fittings or components not called out on this diagram can be found else-where in this manual.



99-6	BROOM HOUSING DOORS & SKIRTS	BOOK E		
01-1	Hydro-Retriever™ 2067 / CR 1700	E	11.3.1	43

Item	Ref. No.	Qty	Description
1	56462482	1	Left Broom Housing Cover Weldmnt
	56462481	1	Left Broom Housing Cover Assembly (#1-6, 11, 12)
2	56462490	2	Strap, LS Cover
3	56009018	40	Scr, Hex Thd Form 1/4-20 x .75
4	56462488	1	Blade, LS Broom Housing
5	56462489	1	Blade, LS Broom Housing
6	56462486	1	Strap, LS Blade
7	56462152	1	Strap, LS Blade
8	56462153	1	Blade, LS Broom Housing
9	56462151	1	Plate, Broom Housing, Access
10	56462156	1	Strap, LS Blade
11	56462487	1	Strap, LS Blade
12	56462491	1	Trim, Edge
	56462455	1	Right Broom Housing Door Assembly (#13-23 & 29)
13	56474688	1	Gasket RS 1/4 x 1/2 x 93
14	56462456	1	Right Broom Housing Door Weldment
15	56462468	1	Blade, RS Broom Housing Door
16	56462464	1	Strap, RS Blade
17	56462467	1	Strap, RS Blade
18	56462469	1	Strap, RS Blade
19	56462470	1	Blade, RS Broom Housing Door
20	56462466	1	Blade, RS Broom Housing Door
21	56462465	2	Strap, RS Blade
22	56462326	1	Latch, Flush Mount
23	56009012	4	Scr, Hex Thd Form 10-24 x .38
24	56462461	1	Catch, Door Latch
25	56462462	1	Mount, Door Latch
26	56462471	1	Hinge, Access Door
27	56002530	2	Scr, Hex Wsh Hd 1/4-20 x .50
28	56015425	1	Decal, Warning Broom
29	56462463	1	Blade, RS Broom Housing Door
30	56003039	12	Scr, Hex Loc 1/4-20 x .50
31	56463807	1	Stop (2067 after Dec. 1999 & all CR1700)
32	56002155	2	Scr, Hex Hd 1/4-20 x .75 (2067 after Dec. 1999 & all CR1700)
33	56002708	2	Nut, Hex Nyl Loc 1/4-20 (2067 after Dec. 1999 & all CR1700)

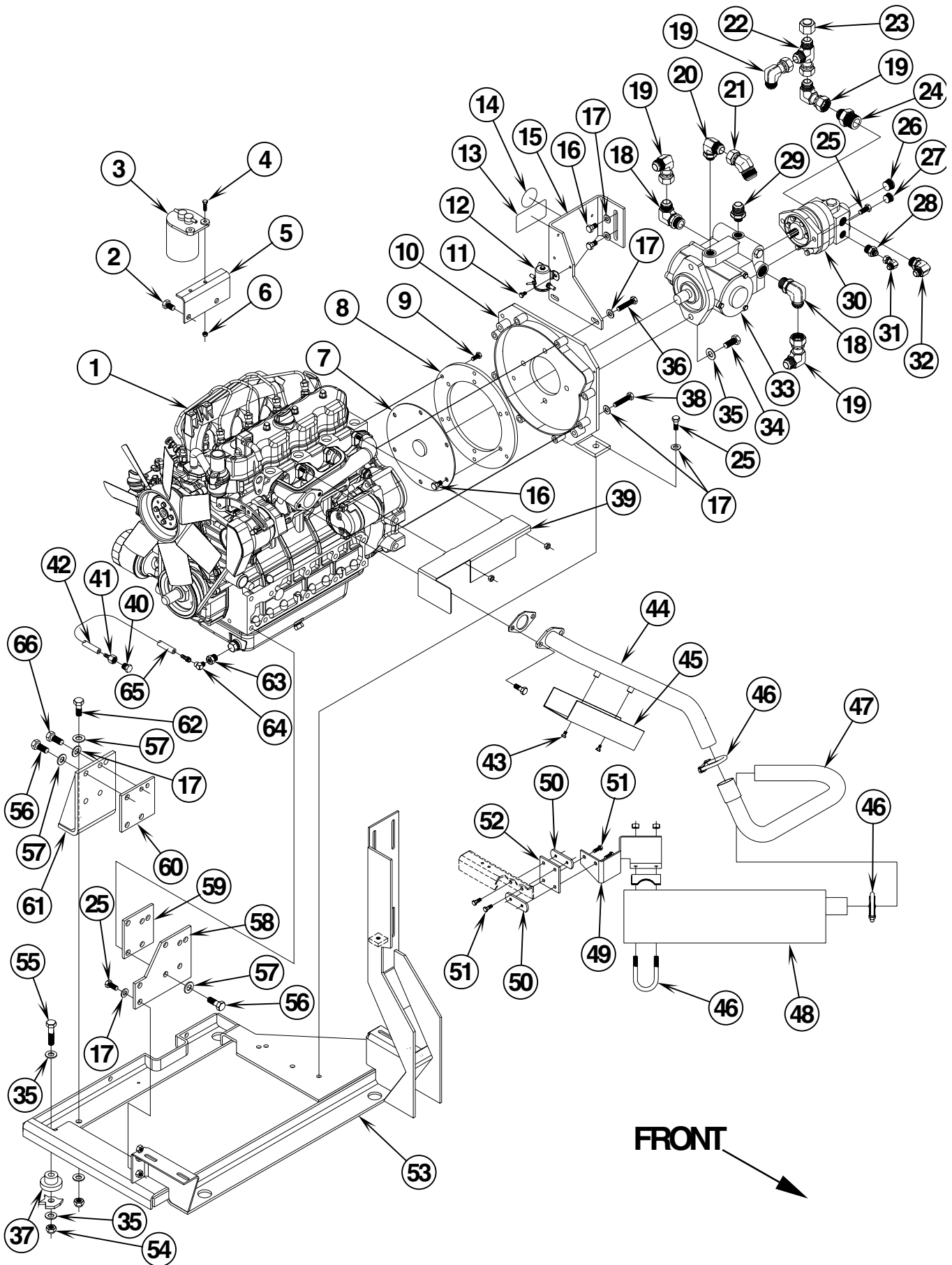
* = Not Shown



99-6	ENGINE ASSEMBLY (GAS / LP)	BOOK E		
02-5	Hydro-Retriever™ 2067 / CR 1700	E	11.3.1	45

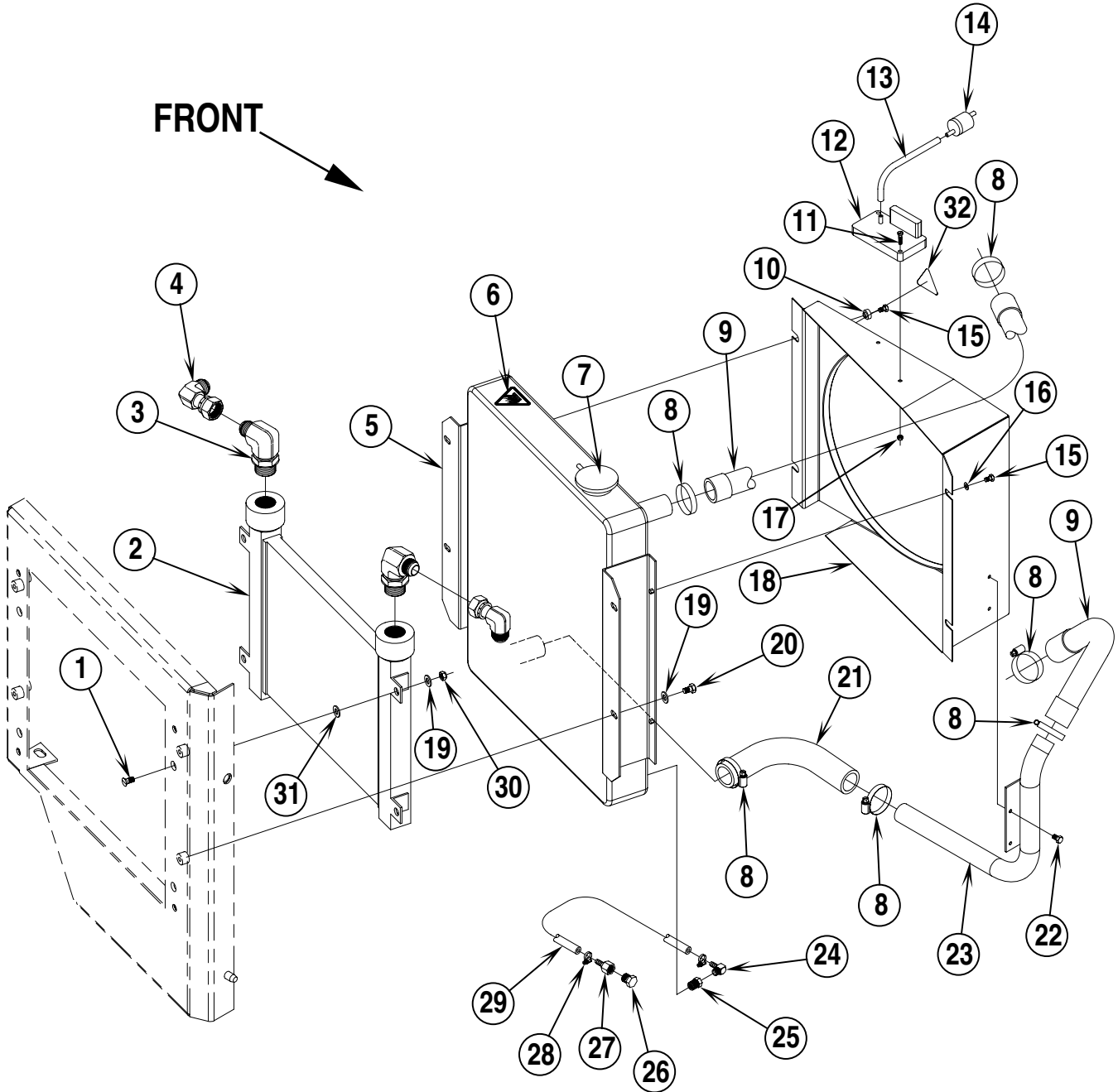
Item	Ref. No.	Qty	Description	Item	Ref. No.	Qty	Description
1	56462873	1	Carburetor (Gas) TSB 809	45	56462758	1	Bracket, Muffler
	56455028	1	Carburetor W/Rotary Act TSB 809	46	56481468	2	Nut Plate, 1/4-20
2	56009064	2	Wsh, Int Shprf 1/4	47	56009018	4	Scr, Hex Thd Form 1/4-20 x .75
3	56003174	2	Scr, Hex Thd to Hd M6-1.0 x 16mm	48	56478726	1	Mount, Diaphragm
4	56455052	1	Gas Actuator Linkage Assy (Gas) TSB 809	49	56009033	2	Scr, Hex Thd Form 1/4-20 x .50
	56455049	1	LP Actuator Linkage Assy (LP)	50	56002095	1	Scr, Hex Hd 3/8-16 x 1.50
5	56443999	1	Barb, 7/16 x 1/4	51	56455232	1	Carb. Spacer Group
6	56462051	1	Engine, 1.3L Gas (W/Carb)	52	56462055	1	Motor, Starter
	56462050	1	Engine, 1.3L Propane (W/O Carb)	53	56002747	3	Scr, Hex Thd to Hd 3/8-16 x 1.50
7	56462054	1	Rear Engine Plates	54	56452257	1	Alternator Group (W/Brackets & Belt)
8	56462063	1	Coupler Assembly	55	56003083	2	Scr, Hex Hd Loc 1/2-13 x 1.00
9	56003178	8	Scr, Hex Thd to Hd M8-1.25 x 16mm	56	56001879	2	Wsh, Fit SAE 1/2
10	56462083	1	Bell Housing	57	56462021	1	Mount Weldment
11	56462106	1	Brace, Impeller	58	56003186	5	Scr, Hex Thd to Hd M10-1.50 x 25mm
12	56015290	1	Decal, RPM (2067)	59	56462097	1	Motor Mount Weldment
13	56030080	1	Decal, Hands Clear	60	56002770	4	Nut, Hex Nyl Loc 1/2-13
14	56003021	3	Scr, Hex M10-1.25 x 50mm	61	56478685	4	Mount, Engine
15	56002063	19	Wsh, Fit SAE 3/8	62	56001920	4	Scr, Hex Hd 1/2-13 x 2.25
16	56900106	2	Elbow, 90Deg. O/R	63	56462107	1	Mount Weldment
17	56900306	4	Elbow, 90Deg. W/Nut	64	56462110	1	Mount, Engine
18	56900909	1	Elbow, 90Deg. O/R Old (1-1/16-12 x 3/4-16)	65	56462472	1	Sheave, Crankshaft
	56900106	1	Elbow, 90Deg. O/R New (1-1/16-12 x 1-1/16-12)	66	56900300	1	Connector, Male
19	56900326	1	Elbow, 45Deg. W/Nut	67	56497359	1	Hose
20	56900346	1	Tee, Run W/Nut	68	56462247	1	Plug
21	56463441	1	Cap, Female	69	56463704	1	Fan, Suction
22	56900018	1	Connector, O/R	*	56459190	1	Spacer, Fan
23	56002663	9	Scr, Hex Hd 3/8-16 x 1.00	70	56150231	1'	Tube, PVC (305mm)
24	56463404	1	Plug, Hex	71	56016364	1	Decal, Fan
25	56463403	1	Plug, Hex				
26	56900013	1	Connector, O/R	*	56462862	1	Filter, Oil
27	56900486	1	Connector, O/R	*	56462864	1	Water Pump W/Gasket
28	56462999	1	Pump, Hydraulic	*	56462871	1	Pump, Fuel
*	56488002	1	O-Ring	*	56462872	1	Gasket, Fuel Pump
29	56900303	1	Elbow, 90Deg. W/Nut	*	56481888	1	Sender, Temperature
30	56900114	1	Elbow, 90Deg. O/R	*	56478698	1	Sender, Pressure Oil
31	56497918	1	Pump, Piston	*	56455811	1	Wiring Harness, Engine (2067 before May 1999)
32	56001968	2	Scr, Hex Hd 1/2-13 x 1.50	*	56460007	1	Wiring Harness, Engine (2067 after April 1999 & all CR1700)
33	56009115	10	Wsh, Fit Harden				
34	56462062	5	Scr, Soc Hd Blk M10-1.50 x 35mm	*	56462915	1	Module W/Harness TSB 749
35	56462898	1	Heat Shield	*	56497701	1	Cable, Choce
36	56001939	2	Wsh, Fit SAE 5/16	*	56462889	1	Fuel Filter
37	56462053	1	Exhaust Gasket	*	56463610	1	Separator
38	56463288	1	Heat Shield	*	56462887	1	Ignition Coil TSB 782
39		2	Nut, Hex M10	*	56463859	1	Ignition Coil TSB 782
40	56462755	1	Exhaust Pipe Weldment	*	56463575	1	Spark Plug Wire Set TSB 782
41	56456420	1	Heat Shield	*	56463854	1	Spark Plug Wire Set TSB 782
42	56456833	3	Muffler Clamp, 1-5/8	*	56463847	1	Gasket, Rocker Arm Cover
43	56462759	1	Exhaust Pipe Weldment	*	56463848	1	Gasket, Head
44	56462754	1	Muffler				

* = Not Shown



Item	Ref. No.	Qty	Description	Item	Ref. No.	Qty	Description
1	56463588	1	Engine, Diesel	50	56481468	2	Nut Plate, 1/4-20
2	56009067	2	Scr, Hex Hd 7/16-14 x 1.00	51	56009018	4	Scr, Hex Thd Form 1/4-20 x .75
3	56463596	1	Fuel Filter Kit	52	56478726	1	Mount, Diaphragm
4	56002155	2	Scr, Hex Hd 1/4-20 x .75	53	56463150	1	Engine Mount Weldment
5	56463212	1	Bracket	54	56002770	5	Nut, Hex Nyl Loc 1/2-13
6	56002708	2	Nut, Hex Nyl Loc 1/4-20	55	56001920	4	Scr, Hex Hd 1/2-13 x 2.25
7	56463199	1	Coupling	56	56003020	7	Scr, Hex Hd M12-1.25 x 25mm
*	56463490	2	Dowel Pin, .325 x .75	57	56001879	10	Wsh, Flt SAE 1/2
8	56463200	1	Spacer Ring	58	56463193	1	Mount, Engine
9	56492142	4	Scr, Hex Hd M8-1.25 x 20mm	59	56463201	1	Plate, Spacer
10	56463168	1	Bell Housing Weldment	60	56463185	1	Plate, Spacer
*	56463491	2	Dowel Pin, 10mm x 20mm	61	56463152	1	Engine Mount Weldment
11	56009019	2	Scr, Hex Thd Form 1/4-20 x .38	62	56001968	1	Scr, Hex Hd 1/2-13 x 1.50
12	56441546	1	Starter Solenoid	63	56456410	1	Adaptor
13	56015290	1	Decal, RPM (2067)	64	56111309	1	Elbow
14	56030080	1	Decal, Hands Clear	65	56369594	1	Barb, 1/4 x 1/8
15	56463194	1	Bracket	66	56003019	1	Scr, Hex Hd M10-1.25 x 25mm
16	56003040	6	Scr, Hex Hd Loc 3/8-16 x .62				
17	56002063	15	Wsh, Flt SAE 3/8	*	56463582	1	Wiring Harness, Engine (2067 before May 1999)
18	56900106	2	Elbow, 90Deg. O/R	*	56460000	1	Wiring Harness, Engine (2067 after April 1999 & all CR1700)
19	56900306	4	Elbow, 90Deg. W/Nut				
20	56900909	1	Elbow, 90Deg. O/R Old (1-1/16-12 x 3/4-16)	*	56463704	1	Fan, Suction
	56900106	1	Elbow, 90Deg. O/R New (1-1/16-12 x 1-1/16-12)	*	56463189	2	Spacer, Fan
21	56900326	1	Elbow, 45Deg. W/Nut	*	56481148	4	Scr, Hex M6 x 1 x 40mm
22	56900346	1	Tee, Run W/Nut	*	56463595	1	Thermostat
23	56463441	1	Cap, Female	*	56463294	1	Starter
24	56900018	1	Connector, O/R	*	56463300	1	Valve Cover Gasket
25	56002663	6	Scr, Hex Hd 3/8-16 x 1.00	*	56463599	1	Upper Gasket Set
26	56463404	1	Plug, Hex	*	56463600	1	Lower Gasket Set
27	56463403	1	Plug, Hex	*	56455793	1	Engine Oil Filter
28	56900013	1	Connector, O/R	*	56463590	1	Timer (Glowplug)
29	56900486	1	Connector, O/R	*	56463596	1	Fuel Filter Kit
30	56463489	1	Pump, Hydraulic	*	56463486	1	Fuel Filter Cartridge
*	56488002	1	O-Ring	*	56463591	1	Alternator, 40 Amp
31	56900303	1	Elbow, 90Deg. W/Nut	*	56492109	1	Fuel Solenoid
32	56900114	1	Elbow, 90Deg. O/R	*	56463592	1	Water Pump
33	56497918	1	Pump, Piston	*	56463593	1	Fuel Pump
34	56001968	2	Scr, Hex Hd 1/2-13 x 1.50	*	56481888	1	Sender, Temperature
35	56009115	10	Wsh, Flt Harden	*	56463594	1	V-Belt
36	56003340	2	Scr, Hex Hd M10-1.25 x 60mm	*	56463301	1	Coolant Overflow Tank
37	56478685	4	Mount, Engine				
38	56003021	6	Scr, Hex Hd M10-1.25 x 50mm				
39	56463216	1	Shield, Heat				
40	56740136	1	Plug, Brass				
41	56756360	1	Barb, Female				
42	56462127	3'	Hose, Pushlock (91.5 cm)				
43	56009033	2	Scr, Hex Thd Form 1/4-20 x .50				
44	56463160	1	Exhaust Pipe Weldment				
45	56456420	1	Shield, Heat				
46	56456833	3	Muffler Clamp, 1-5/8				
47	56462759	1	Exhaust Pipe Weldment				
48	56462754	1	Muffler				
49	56462758	1	Bracket, Muffler				

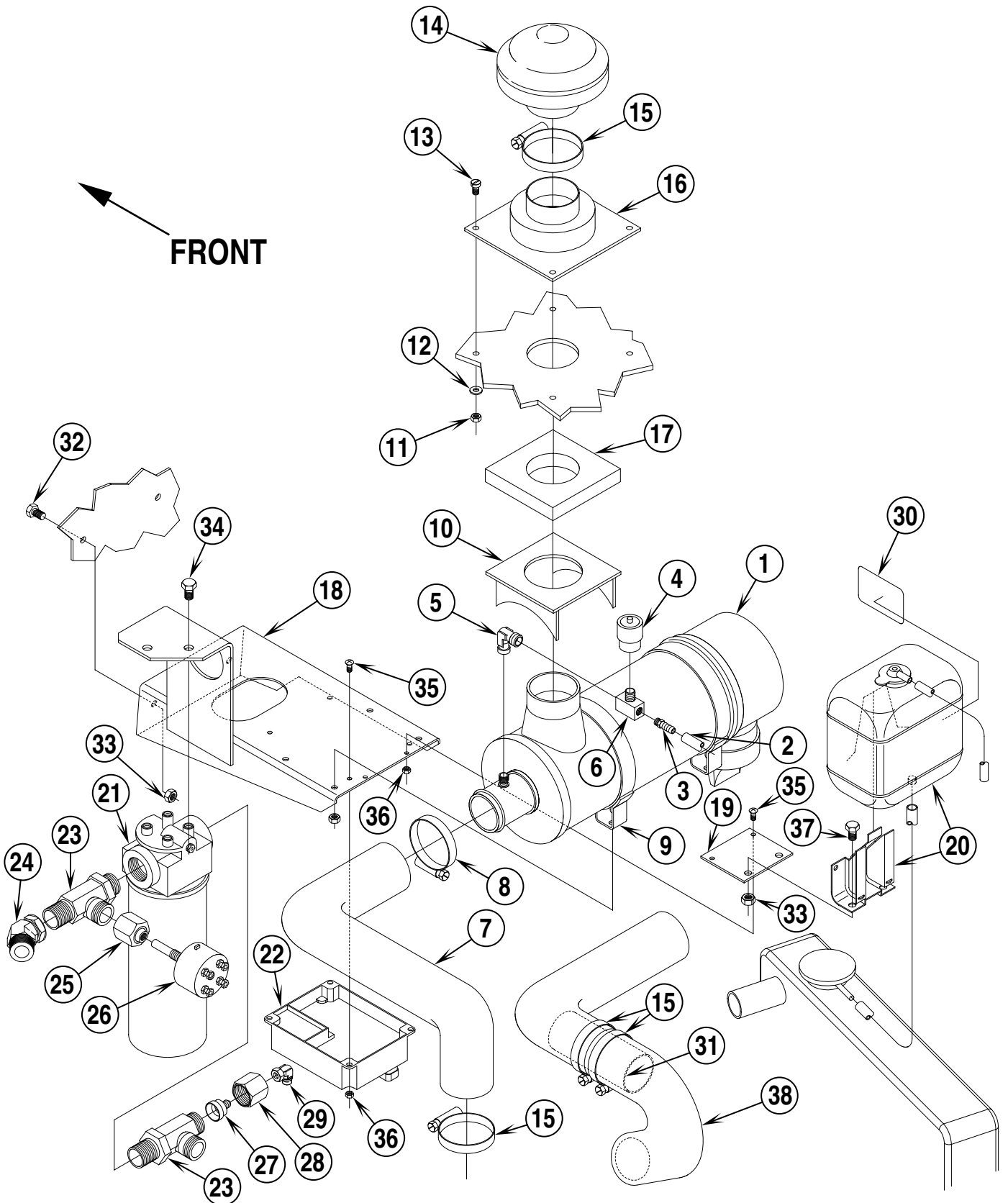
* = Not Shown



99-6	RADIATOR ASSEMBLY	BOOK E		
01-1	Hydro-Retriever™ 2067 / CR 1700	E	11.3.1	49

Item	Ref. No.	Qty	Description
1	56002395	4	Scr, Flt Phil 5/16-18 x .75
2	56463678	1	Cooler, Oil
3	56900117	2	Elbow, 90 Deg. O/R
4	56900306	2	Elbow, 90 Deg. W/Nut
5	56463679	1	Radiator
6	56016363	1	Decal, Hot
7	56456431	1	Cap, Radiator
8	56329145	6	Clamp, Hose SAE #24
9	56456304	2	Hose, Radiator 15"
10	56171566	2	Bushing, Step
11	56009043	2	Scr, Pan Phil Thd Form 10-24 x .75 (Gas / LP)
12	56462915	1	Module W/Harness (Gas / LP) TSB 749
13		2'	5/32" ID Vacuum Hose (61 cm / Gas / LP)
14	56463610	1	Separator (Gas / LP)
15	56457286	4	Scr, M6
16	56001954	2	Wsh, Flt SAE #10
17	56002768	2	Nut, Hex Nyl Loc 10-24 (Gas / LP)
18	56462264	1	Shroud Weldment (Gas / LP)
*	56463731	1	Shroud Weldment (Diesel)
19	56001939	8	Wsh, Flt SAE 5/16
20	56001862	4	Scr, Hex Hd 5/16-18 x .50
21	56481287	1	Hose, Radiator
22	56003039	2	Scr, Hex Loc 1/4-20 x .50
23	56462124	1	Tube Weldment (Gas / LP)
*	56463342	1	Tube Weldment (Diesel)
24	56755726	1	Barb 1/4 x 1/8 x 90 Deg.
25	56740214	1	Bushing, Pipe
26	56740136	1	Plug, Brass
27	56756360	1	Barb, Female
28	56756364	2	Clamp, Hose SAE #4
29	56462127	3'	Hose, Push Lock (91.5 cm)
30	56002826	4	Nut, Hex Nyl Loc-Thin 5/16-18
31	56009122	4	Wsh, Flt .34 x .93 x .12
32	56016364	1	Decal, Fan
*	56459112	2'	Gasket, Bulb RS (61 cm / attach to radiator grill weldment)

* = Not Shown

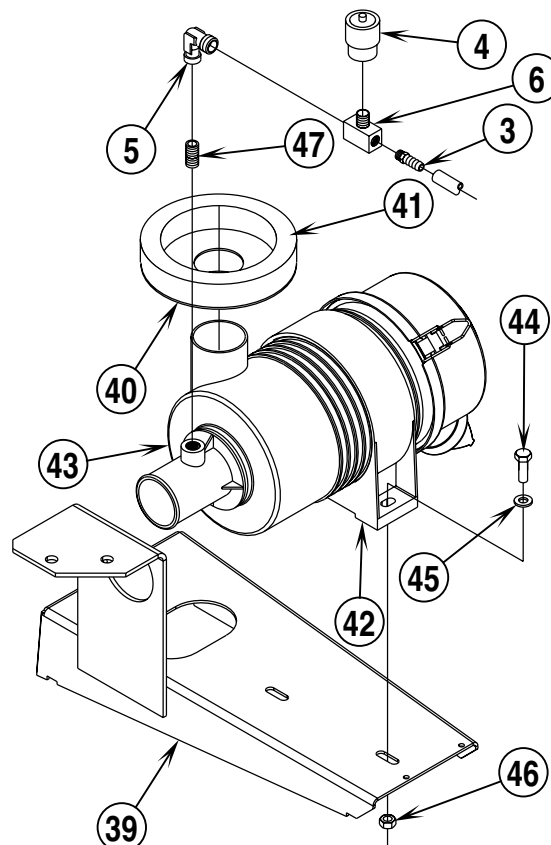


Item	Ref. No.	Qty	Description	Item	Ref. No.	Qty	Description
1	56478710	1	Air Cleaner (before Jan. 2000)	26	56463096	1	Switch, Temp.
*	56478720	1	Primary Filter	27	56900467	1	Reducer
*	56478722	1	Secondary Filter	28	56900506	1	Nut
2	56150231	1'	Tube, PVC (30 cm / Gas/LP)	29	56900301	1	Elbow, 90 Deg. W/Nut
3	56104299	1	Barb (Gas/LP)	30	56015463	1	Decal, Coolant Level
4	56478461	1	Service Indicator (Gas/LP)	31	56463647	1	Tube, Air (Diesel)
5	56111309	1	Elbow (Gas/LP)	32	56002037	2	Scr, Hex Hd 5/16-18 x .88
6	56900046	1	Tee (Gas/LP)	33	56002701	4	Nut, Hex Nyl Loc 5/16-18
7	56462234	1	Hose, Air (Gas/LP)	34	56003040	2	Scr, Hex Hd Loc 3/8-16 x .62
8	56440213	1	Clamp, Hose SAE #32	35	56002124	6	Scr, Pan Phil 10-24 x .62
9	56480650	2	Mounting Band (before Jan. 2000)	36	56002832	6	Nut, Hex Nyl Loc-Thin 10-24
10	56463442	1	Filter Plate Weldment (before Jan. 2000)	37	56002956	2	Scr, Hex Hd Loc 5/16-18 x .75
11	56002708	4	Nut, Hex Nyl Loc 1/4-20	38	56463151	1	Hose, Air Cleaner (2067D)
12	56002098	4	Wsh, Flt SAE 1/4	39	56463842	1	Filter Mount (after Dec. 1999)
13	56002507	4	Scr, Pan Phil 1/4-20 x .75	40	56463840	1	Inlet Tube Weld't. (after Dec. 1999)
14	56463451	1	Hood, Air Inlet	41	56497730	1	Gasket (after Dec. 1999)
15	56456797	2	Clamp, Hose (qty. of 4 on Diesel)	42	56482621	1	Band (after Dec. 1999)
16	56463445	1	Cover, Weldment	43	56412316	1	Air Cleaner (after Dec. 1999)
17	56463449	1	Gasket (before Jan. 2000)	*	56482029	1	Primary Filter
18	56463162	1	Filter Bracket Weldment (before Jan. 2000)	*	56482028	1	Safety Filter
19	56463435	1	Bracket, Tank	44	56001834	2	Scr, Hex Hd 5/16-18 x 1.25 (after Dec. 1999)
20	56463301	1	Tank, Overflow W/Bracket	45	56001939	2	Wsh, Flt SAE 5/16 (after Dec. 1999)
21	56456449	1	Filter, Oil	46	56002701	2	Nut, Hex Nyl Loc 5/16-18 (after Dec. 1999)
*	56496209	1	Replacement Filter Cartridge	47	56750746	1	Nipple (after Dec. 1999)
22	56455231	1	Controller, Governor (Gas/LP) NOTE 1				
23	56900206	2	Tee				
24	56900326	1	Elbow, 45 Deg.				
25	56463621	1	Cap, Modified Tube				

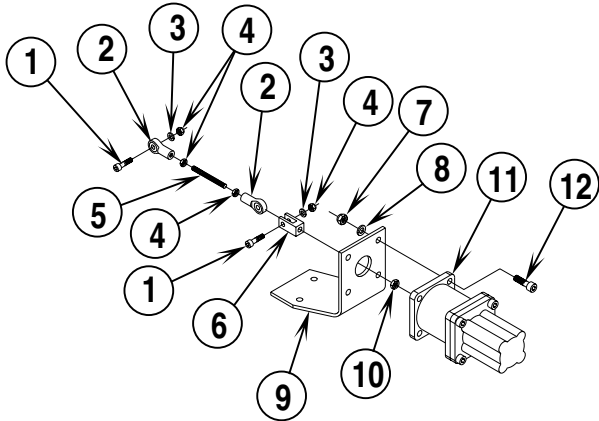
* = Not Shown

NOTE 1: The Governor Controller mounts on the back of the seat panel on machines built after Dec. 1999.

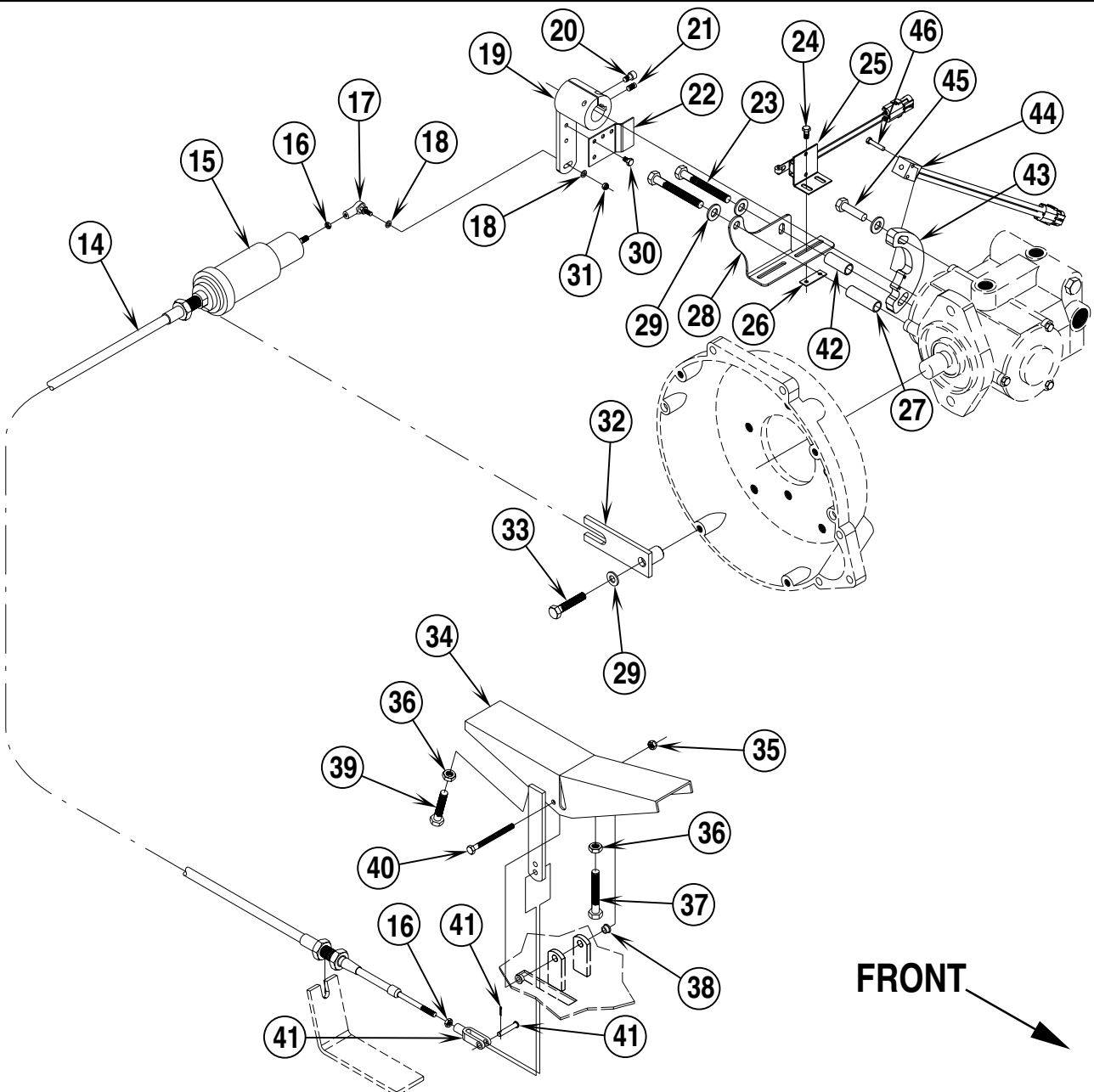
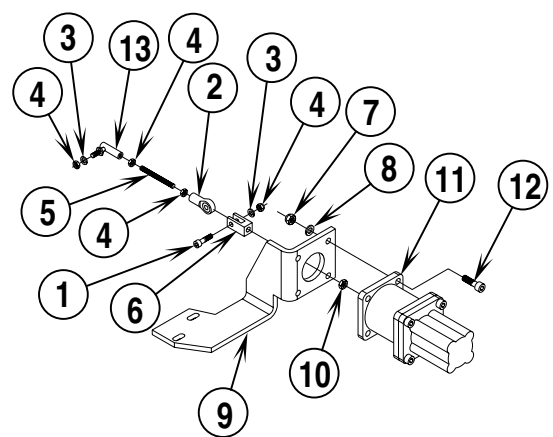
NOTE 2: Items 39-47 replace items 1, 9-10, 17-18 on machines built after Dec. 1999. If you have a machine built prior to this and need to order a new Air Cleaner housing, you will need to order items 39-47. As shown, items 3-6 can be re-used.



LP ACTUATOR ASSEMBLY

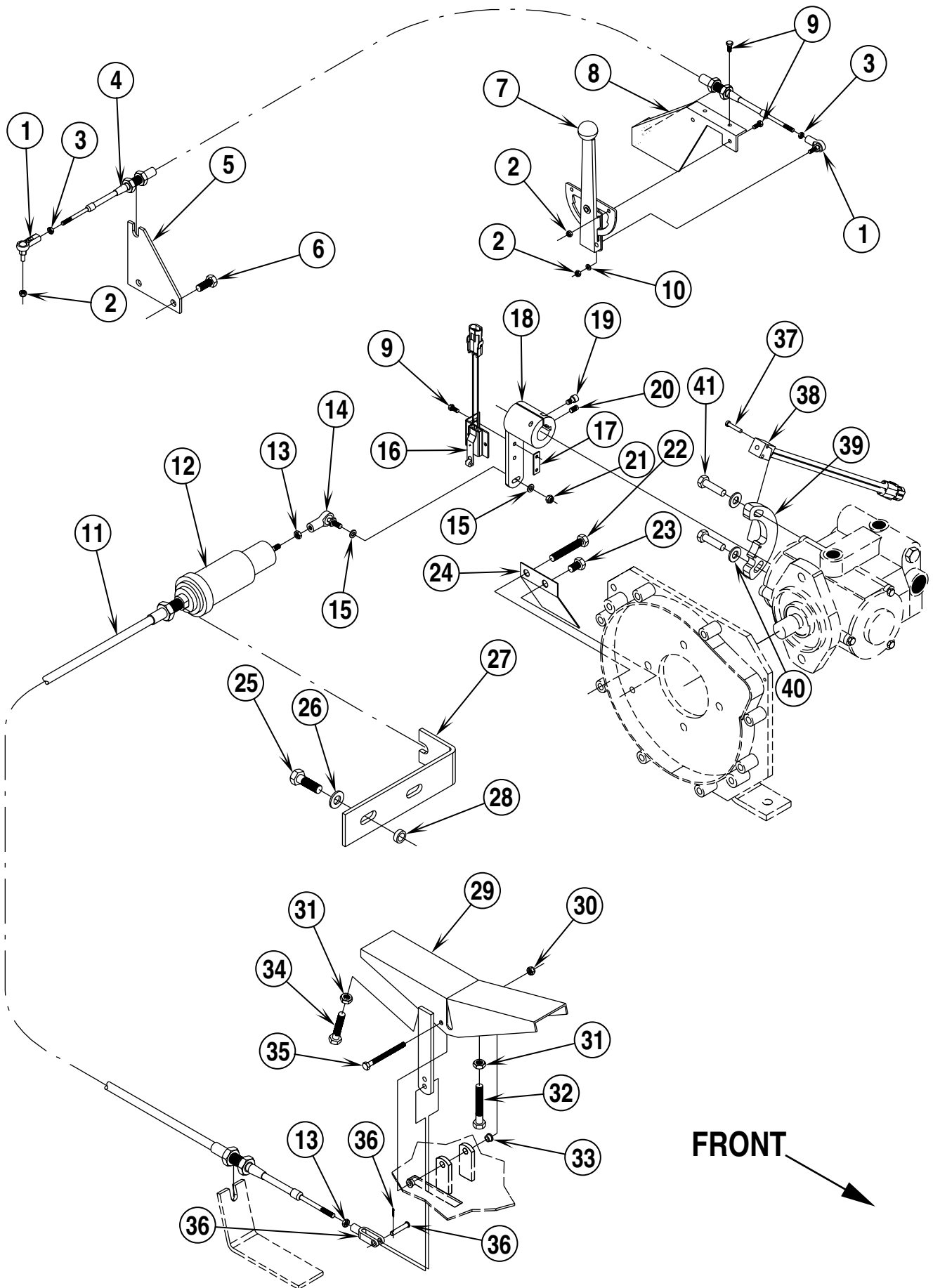


GAS ACTUATOR ASSEMBLY



99-6	GOVERNOR & DRIVE PEDAL LINKAGE (GAS/LP)	BOOK E		
02-5	Hydro-Retriever™ 2067 / CR 1700	E	11.3.1	53

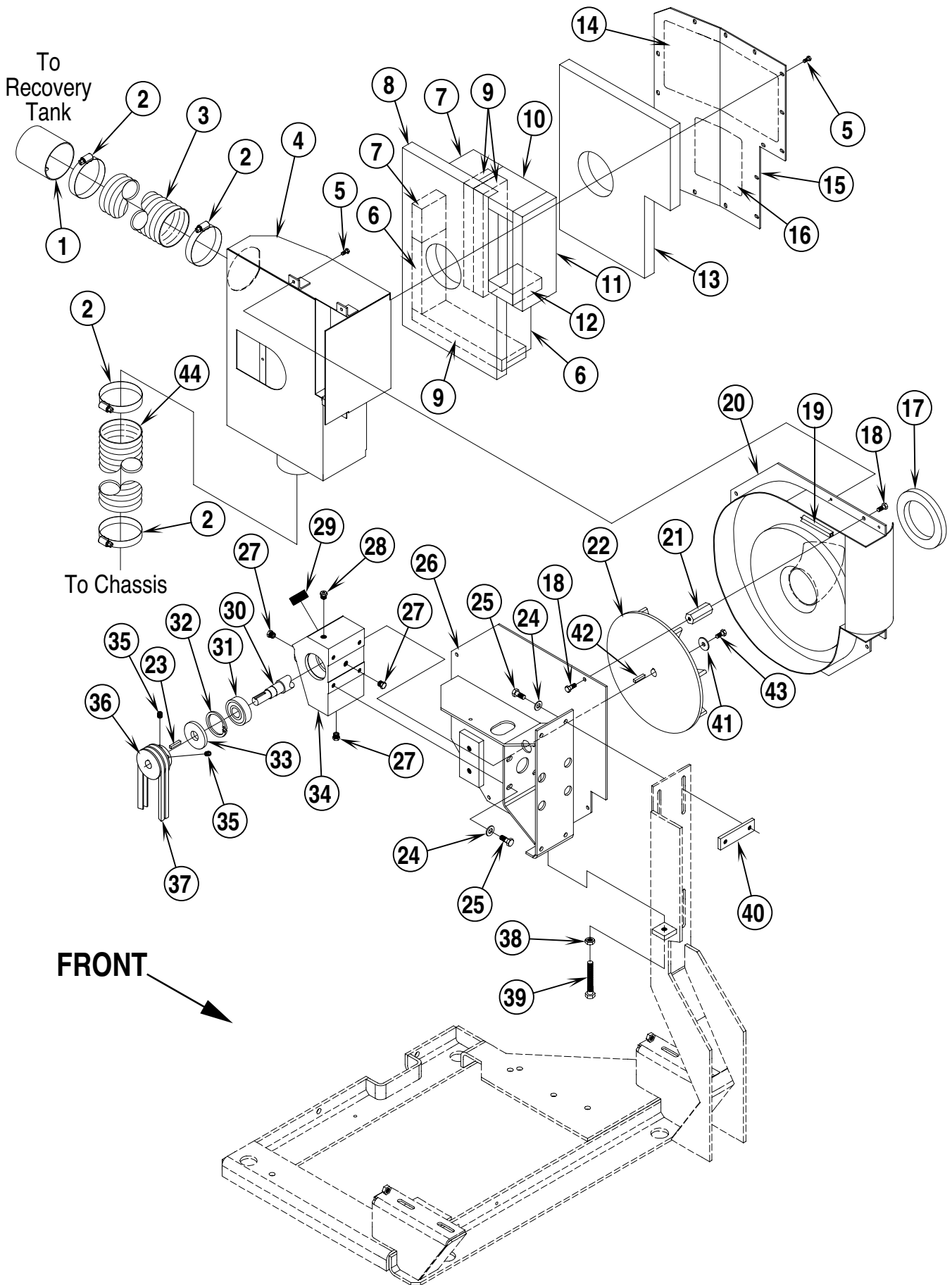
Item	Ref. No.	Qty	Description
	56455049	1	Actuator / Linkage Assembly (LP / #1-12)
	56455052	1	Actuator / Linkage Assembly (Gas / #1-13) TSB 809
1	56455291	2	Scr, Pan Phil 10-32 x .75 (qty of 1 on Gas)
2	56455284	2	Rod End Bearing (qty of 1 on Gas)
3	56455287	2	Lock Washer #10
4	56455290	4	Nut, Hex Nyl Loc #10-32
5	56455286	1	Thd Rod 10-32 x 2.00
6	56455283	1	Clevis
7	56455289	4	Nut, Hex Nyl Loc 1/4-28
8	56455285	4	Lock Washer 1/4
9	56455228	1	Bracket, Actuator Mounting (LP)
	56455001	1	Bracket, Actuator Mounting (Gas)
10	56455292	1	Nut, Hex M6-1.00
11	56455822	1	Actuator Assembly
12	56455288	4	Scr, Soc SS 1/4-28 x .87
13	56100101	1	Ball Joint (Gas)
14	56482677	1	Cable, Control
15	56482539	1	Hydro-Back
16	56009142	2	Nut, Hex Machine 1/4-28
17	56463720	1	Rod End
18	56002098	2	Wsh, Flt SAE 1/4
19	56463670	1	Lever Weldment
20	56002032	1	Scr, Soc Hd 1/4-20 x .62
21	56001841	1	Scr, Soc Set Loc 1/4-20 x .25
22	56463701	1	Actuator, Switch
23	56002284	2	Scr, Hex Hd 3/8-16 x 3.25
24	56009039	2	Scr, Hex Thd Form 10-24 x .50
25	56462362	1	Switch
26	56324310	1	Nut Plate
27	56463717	2	Spacer (qty of 1 on 2067 after Dec. 1999 & all CR1700)
28	56459459	1	Bracket, Switch
29	56002063	2	Wsh, Flt SAE 3/8 (qty of 3 on 2067 after Dec. 1999 & all CR1700)
30	56009019	2	Scr, Hex Thd Form 1/4-20 x .38
31	56002708	1	Nut, Hex Nyl Loc 1/4-20
32	56463721	1	Bracket Weldment
33	56002470	1	Scr, Hex Thd to Hd 3/8-16 x 2.00
34	56497313	1	Pedal Weldment
35	56002840	1	Nut, Hex Nyl Loc-Thin 1/4-20
36	56009085	2	Nut, Hex Jam 3/8-16
37	56002204	1	Scr, Hex Hd 3/8-16 x 3.00
38	56756318	2	Bearing, Flange
39	56002684	1	Scr, Hex Hd 3/8-16 x 1.75
40	56002397	1	Scr, Hex Hd 1/4-20 x 2.75
41	56482542	1	Clevis W/Pin
42	56463860	1	Spacer (2067 after Dec. 1999 & all CR1700)
43	56459958	1	Mount, Neutral Start Switch (2067 after Dec. 1999 & all CR1700)
44	56460005	1	Switch, Neutral Start (2067 after Dec. 1999 & all CR1700)
45	56002095	1	Scr, Hex 3/8-16 x 1.50 (2067 after Dec. 1999 & all CR1700)
46	56003052	2	Scr, Hex Hd 8-32 x 1.25 (2067 after Dec. 1999 & all CR1700)



FRONT →

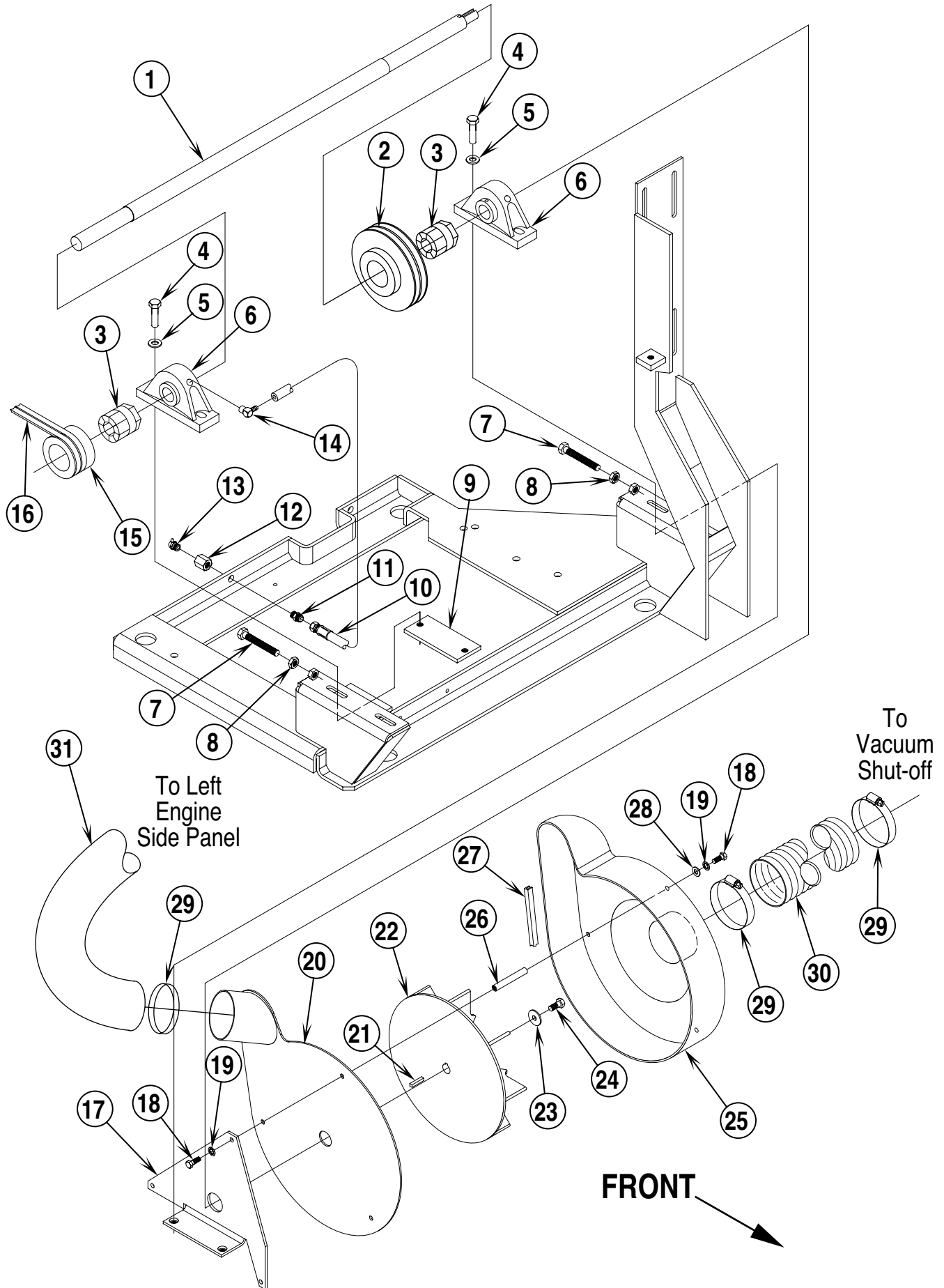
99-6	THROTTLE & DRIVE PEDAL LINKAGE (DIESEL)	BOOK E		
01-1	Hydro-Retriever™ 2067 / CR 1700	E	11.3.1	55

Item	Ref. No.	Qty	Description
1	56488290	2	Rod End
2	56455290	3	Nut, Hex Nyl Loc 10-32
3	56001987	2	Nut, Hex Machine 10-32
4	56488292	1	Cable (Throttle)
5	56455750	1	Bracket, Throttle
6	56002234	2	Scr, Hex Hd 3/8-16 x .62
7	56456328	1	Lever Assembly
8	56456548	1	Anchor, Throttle Cable
9	56002503	6	Scr, Hex Hd 10-24 x .50
10	56001954	1	Wsh, Flt SAE #10
11	56482677	1	Cable
12	56482539	1	Hydro-Back
13	56009142	2	Nut, Hex Machine 1/4-28
14	56463720	1	Rod End
15	56002098	2	Wsh, Flt SAE 1/4
16	56462362	1	Switch
17	56324310	1	Nut Plate
18	56463670	1	Lever Weldment
19	56002032	1	Scr, Soc Hd 1/4-20 x .62
20	56001841	1	Scr, Soc Set Loc 1/4-20 x .25
21	56002708	1	Nut, Hex Nyl Loc 1/4-20
22	56003021	6	Scr, Hex Hd M10-1.25 x 50mm
23	56002663	1	Scr, Hex Hd 3/8-16 x 1.00
24	56463669	1	Switch Actuator
25	56412361	2	Scr, Hex Hd
26	56001879	2	Wsh, Flt SAE 1/2
27	56463668	1	Bracket Hydro-Back
28	56481456	2	Spacer
29	56497313	1	Pedal Weldment
30	56002840	1	Nut, Hex Nyl Loc-Thin 1/4-20
31	56009085	2	Nut, Hex Jam 3/8-16
32	56002204	1	Scr, Hex Hd 3/8-16 x 3.00
33	56756318	2	Bearing, Flange
34	56002684	1	Scr, Hex Hd 3/8-16 x 1.75
35	56002397	1	Scr, Hex Hd 1/4-20 x 2.75
36	56482542	1	Clevis W/Pin
37	56003052	2	Scr, Hex Hd 8-32 x 1.25 (2067 after Dec. 1999 & all CR1700)
38	56460005	1	Switch, Neutral Start (2067 after Dec. 1999 & all CR1700)
39	56459958	1	Mount, Neutral Start Switch (2067 after Dec. 1999 & all CR1700)
40	56002063	1	Wsh, Flt SAE 3/8 (2067 after Dec. 1999 & all CR1700)
41	56002095	2	Scr, Hex 3/8-16 x 1.50 (2067 after Dec. 1999 & all CR1700)



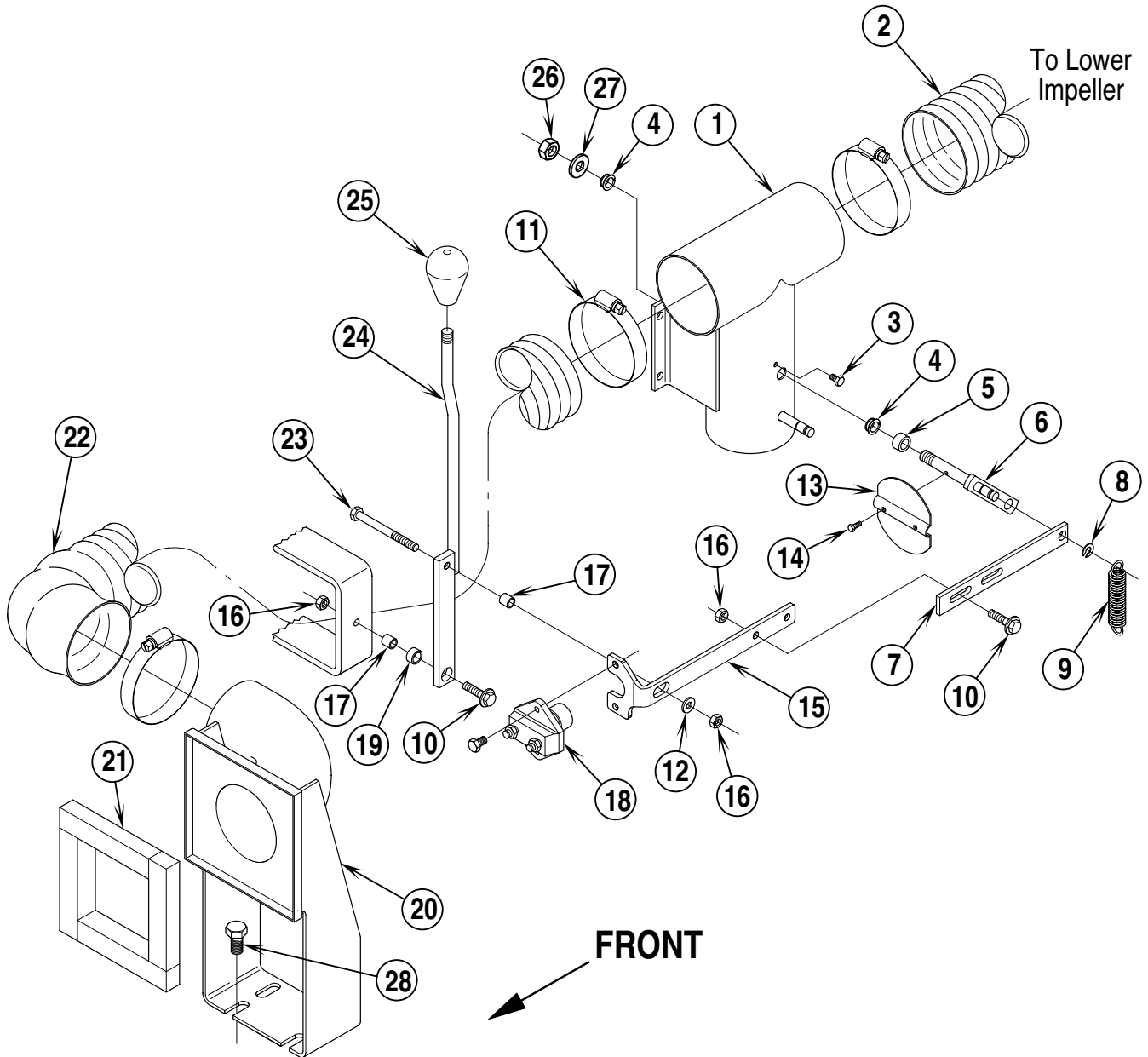
99-6	WET PICKUP IMPELLER ASSEMBLY	BOOK E		
01-1	Hydro-Retriever™ 2067 / CR 1700	E	11.3.1	57

Item	Ref. No.	Qty	Description
1	56457991	1	Tube
2	56352829	4	Clamp, Hose SAE #52
3	56463534	1	Hose, Flex
4	56463553	1	Box, Muffler Weldment
5	56009039	19	Scr, Hex Thd Form 10-24 x .50
6	56458699	2	Foam, Sound
7	56458706	2	Foam, Sound
8	56462122	1	Foam, Sound
9	56458702	3	Foam, Sound
10	56458705	1	Foam, Sound
11	56458703	1	Foam, Sound
12	56458704	1	Foam, Sound
13	56462121	1	Foam, Sound
14	56015737	1	Decal, Impeller Drive
15	56463557	1	Cover
16	56015426	1	Decal, Warning, Fan
17	56459396	1	Ring Gasket
18	56002948	8	Scr, Hex Hd Loc 1/4-20 x .75
19	56463473	3.5'	Trim, U-Channel (107 cm)
20	56463014	1	Scroll Weldment
21	56457339	4	Spacer, Hex
22	56458622	1	Impeller
23	56740168	1	Key, Square .19 x 1.00
24	56001939	8	Wsh, Flt SAE 5/16
25	56002956	8	Scr, Hex Hd Loc 5/16-18 x .75
26	56462145	1	Mount Weldment
27	56481546	3	Plug, 1/8 NPT
28	56463601	1	Fitting, Relief
29	56463602	1	Plug, Pipe
30	56463605	1	Shaft
31	56463604	2	Bearing, Ball
32	56003314	2	Ring, Retainer
33	56463603	2	Seal, lip
34	56459428	1	Housing, Fan Bearing
	56462116	1	Housing Assembly (#27-34)
35	56002021	2	Scr, Soc Set Loc 5/16-18 x .38
36	56463845	1	Sheave
37	56463841	1	Belt, V (Set of 2)
38	56002123	1	Nut, Hex Machine 3/8-16
39	56003006	1	Scr, Hex Thd to Hd 3/8-16 x 2.75
40	56463547	2	Plate, Nut
41	56009199	1	Wsh, Flt Brass .26 x 1.25 x .12
42	56003238	1	Key, Square .19 x .75
43	56002922	1	Scr, Hex Hd Loc 1/4-20 x .62
44		16"	Hose, Flex (cut from Squeegee Hose PN 56462164)



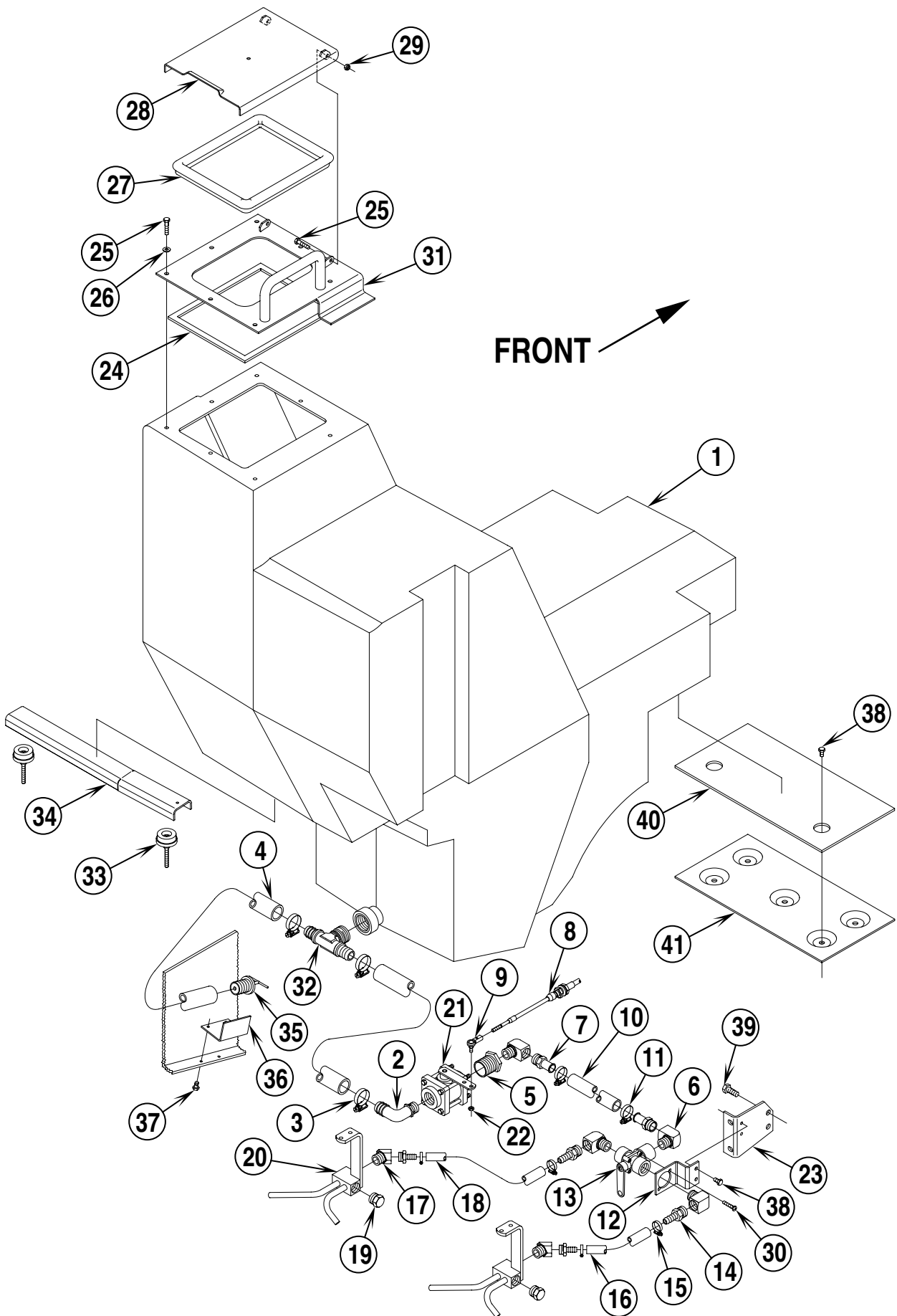
99-6	DUST CONTROL IMPELLER ASSEMBLY	BOOK E		
01-1	Hydro-Retriever™ 2067 / CR 1700	E	11.3.1	59

Item	Ref. No.	Qty	Description
1	56463387	1	Shaft (Gas/LP)
	56463331	1	Shaft (Diesel)
2	56463384	1	Sheave
3	56463390	2	Bushing
4	56002747	4	Scr, Hex Thd to Hd 3/8-16 x 1.50
5	56002063	4	Wsh, Flt SAE 3/8
6	56463386	2	Bearing, Pillow Block
7	56003006	2	Scr, Hex Thd to Hd 3/8-16 x 2.75 (qty of 1 on Diesel)
8	56002123	2	Nut, Hex Machine 3/8-16 (qty of 1 on Diesel)
9	56462094	1	Plate, Nut
10	56462325	2	Hydraulic Hose
11	56462323	2	Connector, Male
12	56749649	2	Coupling, 1/8 Brass
13	56101818	2	Fitting, Lube 1/8 NPT
14	56755726	2	Barb, 1/4 x 1/8 x 90 Deg Brass
15	56463383	1	Sheave
16	56458682	1	Belt, V (Set of 2) (Gas/LP)
	56462888	2	Belt, V (Diesel)
17	56463388	1	Bracket
18	56002155	6	Scr, Hex Hd 1/4-20 x .75
19	56009064	6	Wsh, Int SHPRF 1/4
20	56463177	1	AC Outlet Weldment
21	56740168	1	Key, Square .19 x 1.00
22	56478668	1	Impeller
23	56358956	1	Washer .34 x 1.25 x .18
24	56002956	1	Scr, Hex Hd Loc 5/16-18 x .75
25	56463334	1	Shroud
26	56478762	3	Spacer
27	56463473	3.5'	Trim, U-Channel (107 cm)
28	56002098	6	Wsh, Flt SAE 1/4
29	56352829	3	Clamp, Hose SAE #52
30	56463345	1	Hose, Flex
31	56331332	1	Hose, Flex (2067 after Dec. 1999 & all CR1700)



99-6	VACUUM SHUT-OFF ASSEMBLY	BOOK E		
01-1	Hydro-Retriever™ 2067 / CR 1700	E	11.3.1	61

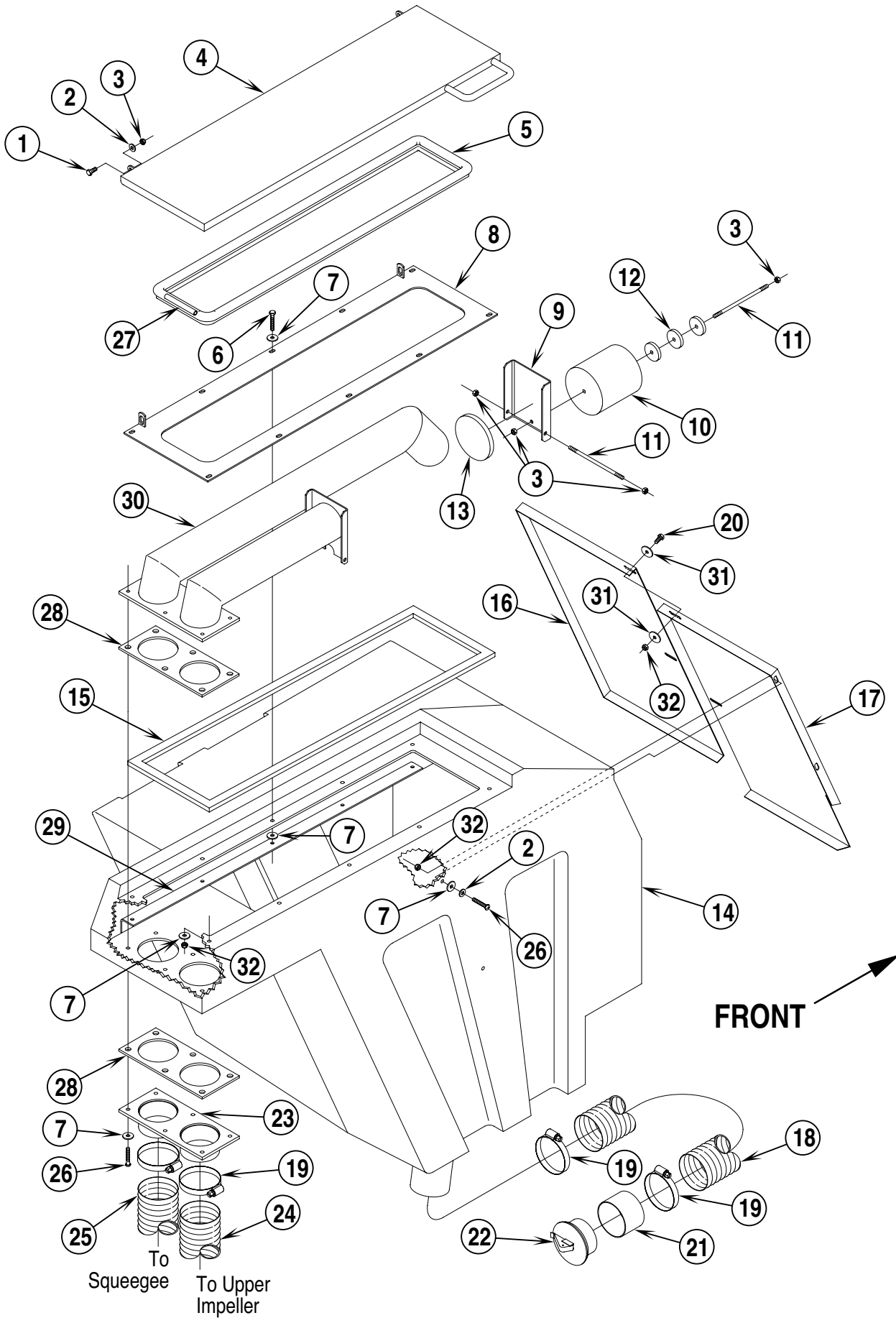
Item	Ref. No.	Qty	Description
1	56462169	1	Vacuum Chamber Weldment
2	56462245	1	Hose, 3.00 x 56"
3	56002520	1	Scr, Hex Thd Form 10-24 x .50
4	56329098	2	Bushing, Nylon
5	56232181	1	Bushing
6	56469037	1	Shaft Weldment
7	56462185	1	Strap
8	56003261	1	Ring, Ret Ext Type E
9	56371866	1	Spring, Ext.
10	56002530	3	Scr, Hex Wsh Hd 1/4-20 x 1.00
11	56352829	3	Clamp, Hose SAE #52
12	56002098	4	Wsh, Flt SAE 1/4
13	56469045	1	Plate, Air Vent
14	56002589	2	Scr, Hex Hd 6-32 x .50
15	56462180	1	Linkage
16	56002708	4	Nut, Hex Nyl Loc 1/4-20
17	56151106	2	Bushing
18	56441555	1	Switch, Shaker
19	56368970	1	Bearing, Sleeve
20	56462176	1	Dust Tube Weldment
21	56462168	1	Gasket
22	56462246	1	Hose, 3.00
23	56001856	1	Scr, Hex Hd 1/4-20 x 2.25
24	56462182	1	Lever Weldment
25	56492792	1	Knob
26	56002769	1	Nut, Hex Nyl Loc 3/8-16
27	56002063	1	Wsh, Flt SAE 3/8
28	56002256	4	Scr, Hex Hd Type 1 3/8-16 x 1.00



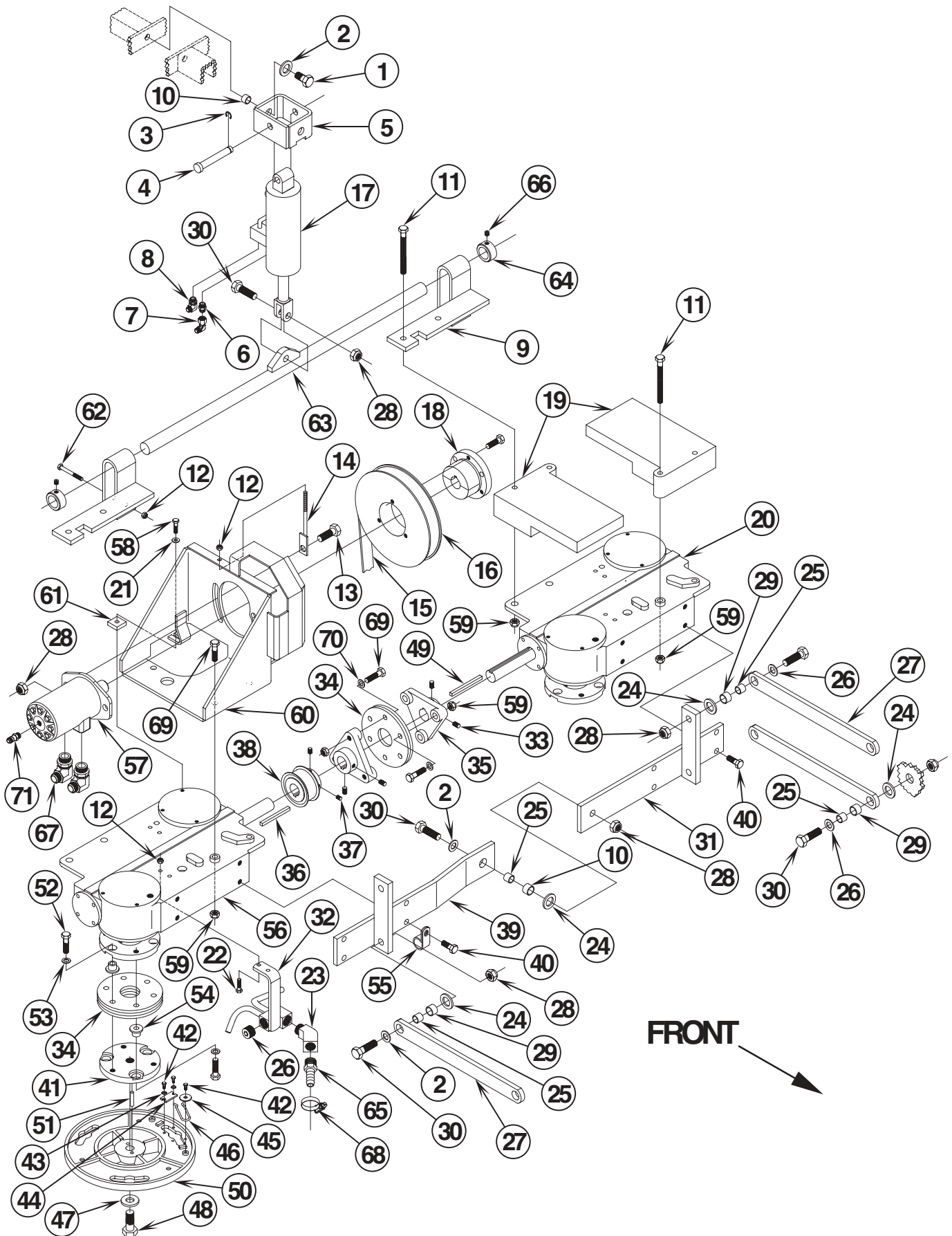
99-6	SOLUTION SYSTEM	BOOK E		
01-12	Hydro-Retriever™ 2067 / CR 1700	E	11.3.1	63

Item	Ref. No.	Qty	Description
1	56462525	1	Solution Tank
	56462528	1	Solution Tank Assembly
2	56449877	1	Barb
3	56244969	3	Hose Clamp
4	56452288	2	Hose
5	56900870	1	Bushing 3/4 x 1/2NPT
6	56742125	4	Elbow
7	56900648	2	Barb
8	56488292	1	Cable
9	56488290	1	Rod End
10	56100028	9"	Hose (23 cm)
11	56131601	2	Hose Clamp
12	56453936	1	Bracket
13	56454612	1	Valve
14	56118117	4	Barb
15	56219932	4	Hose Clamp
16	56462681	1	Hose
17	56900240	2	Elbow
18	56462682	1	Hose
19	56462850	2	3/4 Pipe Plug
20	56462349	2	Solution Manifold
21	56456617	1	Valve (with Handle)
	56462529	1	Handle
22	56001987	1	Nut, Hex Machine 10-32
23	56462829	1	Bracket
24	56209435	1	Gasket Material 1/8 x 1/2 x 72
25	56002897	9	Screw, Hex SS 1/4-20X1.25
26	56002914	7	Washer, Flt Std SS 1/4
*	56900737	7	Washer, Sealing
*	56002491	7	Nut, Hex Nyl Loc SS 1/4-20
27	56483549	3'	Gasket Material (92 cm)
28	56462537	1	Cover
29	56002850	2	Nut, Hex Nyl Loc-Thin SS 1/4-20
30	56002728	2	Screw, Pan Phil Thd Frm 10-24X1.25
31	56462534	1	Plate
32	56462953	1	Tee
33	56449221	2	Bumper 1.43 Dia.
34	56462853	1	Channel
35	56260098	1	T-Plug
36	56462964	1	Bracket
37	56009039	2	Screw, Hex Thd Frm 10-24X.50
38	56003039	4	Screw, Hex Loc 1/4-20X.50
39	56002947	2	Screw, Hex Loc 3/8-16X1.00
40	56463511	1	Pad
41	56463512	1	Plate, Tank Support

* = Not Shown



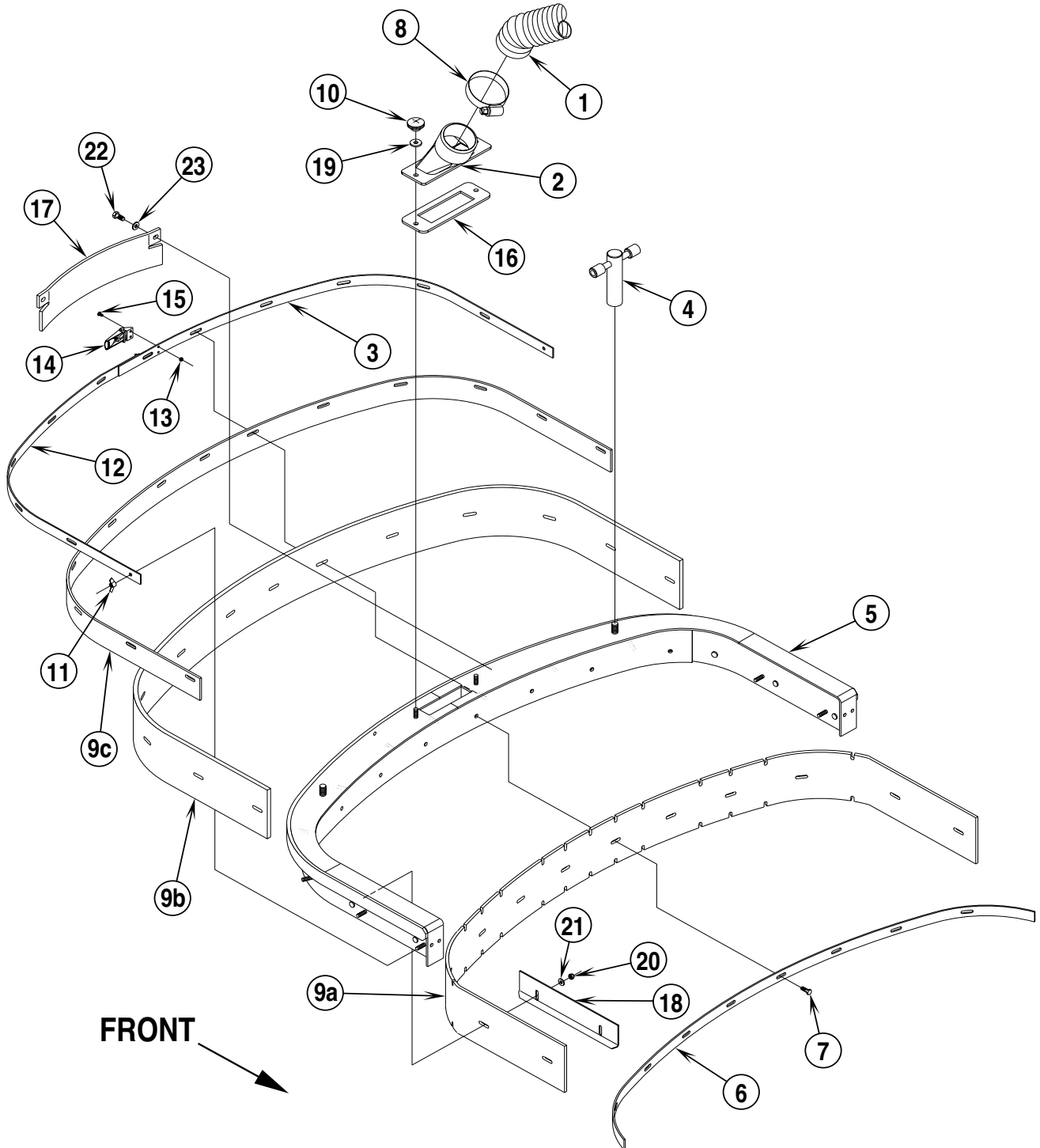
Item	Ref. No.	Qty	Description
	56462543	1	Recovery Tank Assembly
1	56003047	2	Scr, Hex SS 1/4-20 X .62
2	56002914	6	Wsh, Flt Std SS 1/4
3	56002850	6	Nut, Hex Nyl Loc-Thin SS 1/4-20
4	56462559	1	Cover
5	56483549	6'	Gasket (1.8M)
6	56002901	10	Scr, Hex SS 1/4-20 X 1.5
7	56900737	30	Sealing Washer
8	56462557	1	Plate
9	56462556	1	Float Plate
10	56385198	1	Float
11	56454724	2	Rod
12	56454721	3	Weight
13	56463106	1	Gasket
14	56462526	1	Recovery Tank (with #6-8,15)
	56462474	1	Recovery Tank
15	56462998	7'	Gasket (2.5M)
16	56462545	1	Baffle
17	56462544	1	Baffle
18	56462689	1	Drain Hose
19	56352829	4	Hose Clamp
20	56900131	2	Scr, Hex Hd SS 1/4-20 X .625
21	56462774	1	Tube
22	56462703	1	Plug
23	56462553	1	Tube
24	56331332	1	Vacuum Hose
25	56462164	1	Squeegee Hose
26	56002905	10	Scr, Pan Phil SS 1/4-20 X 1.5
27	56757375	6'	Tube, 1/4 ID X 3/8 (1.8M)
28	56462546	2	Gasket
29	56463609	1	Stiffener
30	56462547	1	Tube
31	56009060	4	Wsh, Flt SS .260 X 1.00 X .074
32	56002491	11	Nut, Hex Nyl Loc SS 1/4-20



Item	Ref. No.	Qty	Description	Item	Ref. No.	Qty	Description
1	56003083	2	Scr, Hex Loc 1/2-13X1.00	44	56366455	4	Plate
2	56009017	11	Wsh, Flt Harden .516X.938X.075	45	56009002	4	Wsh, Flt .266X.906X.060
3	56003264	1	Retaining Ring	46	56366463	4	Retainer
4	56463346	1	Pin	47	56002022	4	Wsh, Flt SAE 5/8
5	56463180	1	Yoke Weldment	48	56002156	4	Scr, Hex 5/8-18X1.50
6	56900001	1	Connector	49	56442135	1	Key, Sq .25X1
7	56900301	1	Elbow 90 Deg. w/nut	50	56363189	4	Brush Holder
8	56900101	1	Elbow 90 Deg. O/ring	51	56362077	8	Pin
9	56462339	2	Bracket	52	56003031	24	Scr, Hex Loc3/8-16X2.00
10	56462848	1	Bushing	53	56002068	24	Wsh, Loc Hi-Collar 3/8
11	56002977	6	Scr, Hex Thd to Hd 3/8-16X4.00	54	56448268	24	Bushing
12	56002708	7	Nut, Hex Nyl Loc1/4-20	55	56496276	1	Clamp, Hose Support
13	56001968	2	Scr, Hex 1/2-13X1.5	56	56463538	1	Right Gear Case
14	56462238	1	Belt Tensioner	57	56479606	1	Brush Drive Motor TSB 738
15	56463880	1	Belt, Synchronous TSB 832	*	56479577	1	Seal Kit (for 56479606)
16	56100040	1	Pulley	58	56002093	1	Scr, Hex 1/4-20X1.00
17	56463618	1	Cylinder	59	56002769	15	Nut, Hex Nyl Loc 3/8-16
18	56462345	1	Split Taper Bushing (with Key)	60	56462676	1	Mount Weldment
19	56455462	3	Weight	61	56463561	1	Spacer
20	56463539	1	Left Gear Case	62	56001856	2	Scr, Hex 1/4-20X2.25
21	56002098	1	Wsh, Flt SAE 1/4	63	56463620	1	Lift Rod Weldment
22	56001821	4	Scr, Hex 1/4-20X.88	64	56444820	2	Collar
23	56900240	2	Elbow Street 45	65	56118117	2	Barb 1/2X1/2 Brass
24	56009022	9	Wsh, Flt .752/.756X1.25X.125	66	56002021	2	Scr, Soc Set Loc 5/16-1X.38
25	56367206	9	Bushing	67	56900114	2	Elbow 90 O/Ring
26	56462850	2	Plug, Pipe	68	56219932	2	Hose Clamp
27	56462331	4	Parallel Arm	69	56002684	9	Scr, Hex 3/8-16X1.75
28	56002770	12	Nut, Hex Nyl Loc 1/2-13	70	56002063	6	Wsh, Flt SAE 3/8
29	56367168	8	Bearing	71	56900001	1	Connector (after SN 1508902)
30	56001995	10	Scr, Hex 1/2-13X1.75				
31	56462336	1	Left Bracket	*	56505751	4	Magna Grit™ 46 Scrub Brush (standard)
32	56462349	2	Solution Manifold	**	56505754	4	Prolene Scrub Brush
33	56001826	4	Scr, Soc Set Loc 5/16-18X.5	**	56505752	4	Dyna Grit™ 80 Scrub Brush
34	56104647	14	Flex Coupler	**	56505756	4	Union Mix Scrub Brush
35	56462527	2	Universal Casting	**	56505753	4	AgLite Grit™ 500 Scrub Brush
36	56003250	1	Key, Sq .25X3.25	**	56505755	4	Prolite Scrub Brush
37	56002930	2	Scr, Soc Set Loc 1/4-20X.38	**	56505750	4	Pad Holder
38	56462524	1	Pulley	**	56505757	4	MidGrit 240 Brush
39	56462333	1	Right Bracket	**	56505758	4	MidLite 180 Brush
40	56002947	8	Scr, Hex Loc3/8-16X1.00	**	56463010	1	Scarifier Kit (set of 4)
41	56448263	4	Lower Coupler				
42	56002043	12	Scr, Pan Phil 10-24X.38				
43	56009011	8	Wsh, Int Shprf 10				

* = Not Shown

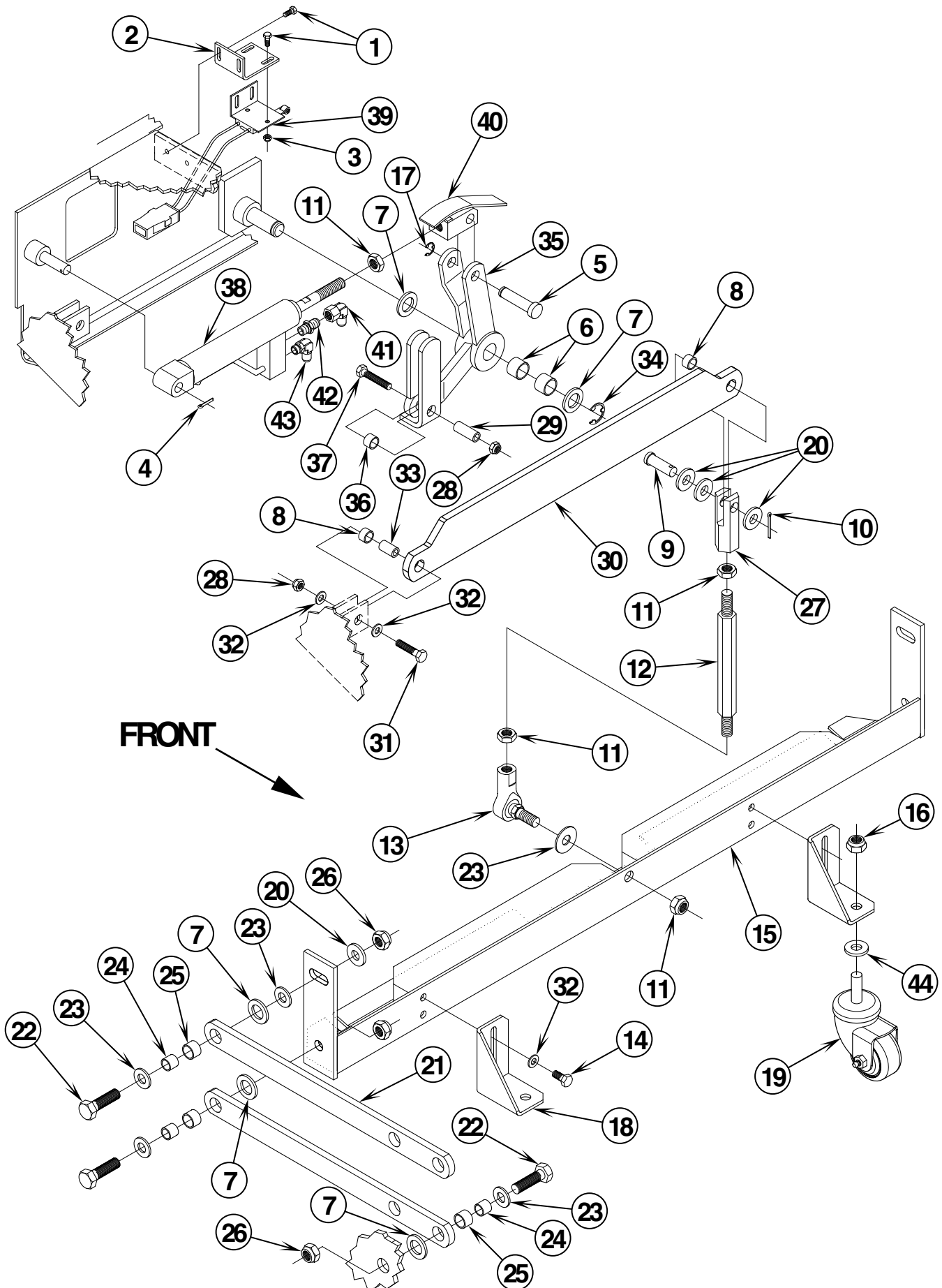
** = Optional Accessory



99-6	SQUEEGEE ASSEMBLY	BOOK E		
01-1	Hydro-Retriever™ 2067 / CR 1700	E	11.3.1	69

Item	Ref. No.	Qty	Description
1	56462164	1	Hose 98" (2.5m)
2	56459102	1	Adapter, Squeegee
3	56462790	1	Left Strap
4	56463431	2	Knob
5	56462777	1	Squeegee Tool
	56462819	1	Squeegee Assembly
6	56462792	1	Front Strap
7	56009018	8	Scr, Hex Thd Form 1/4-20X.75
8	56352829	1	Hose Clamp
9a	56463846	1	Blade, Front
9b	56463286	1	Blade, Rear
9c	56462788	1	Blade, Backup
**	56462877	1	Squeegee Kit, Standard
**	56462878	1	Squeegee Kit, Oil Resistant
10	56386222	2	Knob
11	56009111	2	Wing Nut
12	56462791	1	Right Strap
13	56002964	2	Nut, Hex Nyl Loc Thin SS 6-32
14	56471194	1	Latch
15	56009044	2	Scr, Pan Phil 6-32X.31
16	56459281	1	Gasket
17	56463429	1	Latch Guard
18	56462793	2	Blade Support
19	56009122	2	Wsh, Flt .344X.938X.125
20	56002491	4	Nut, Hex Nyl Loc SS 1/4-20
21	56002914	4	Wsh, Flt Std SS 1/4
22	56002956	2	Scr, Hex Loc 5/16-18X.75
23	56001939	2	Wsh, Flt SAE 5/16

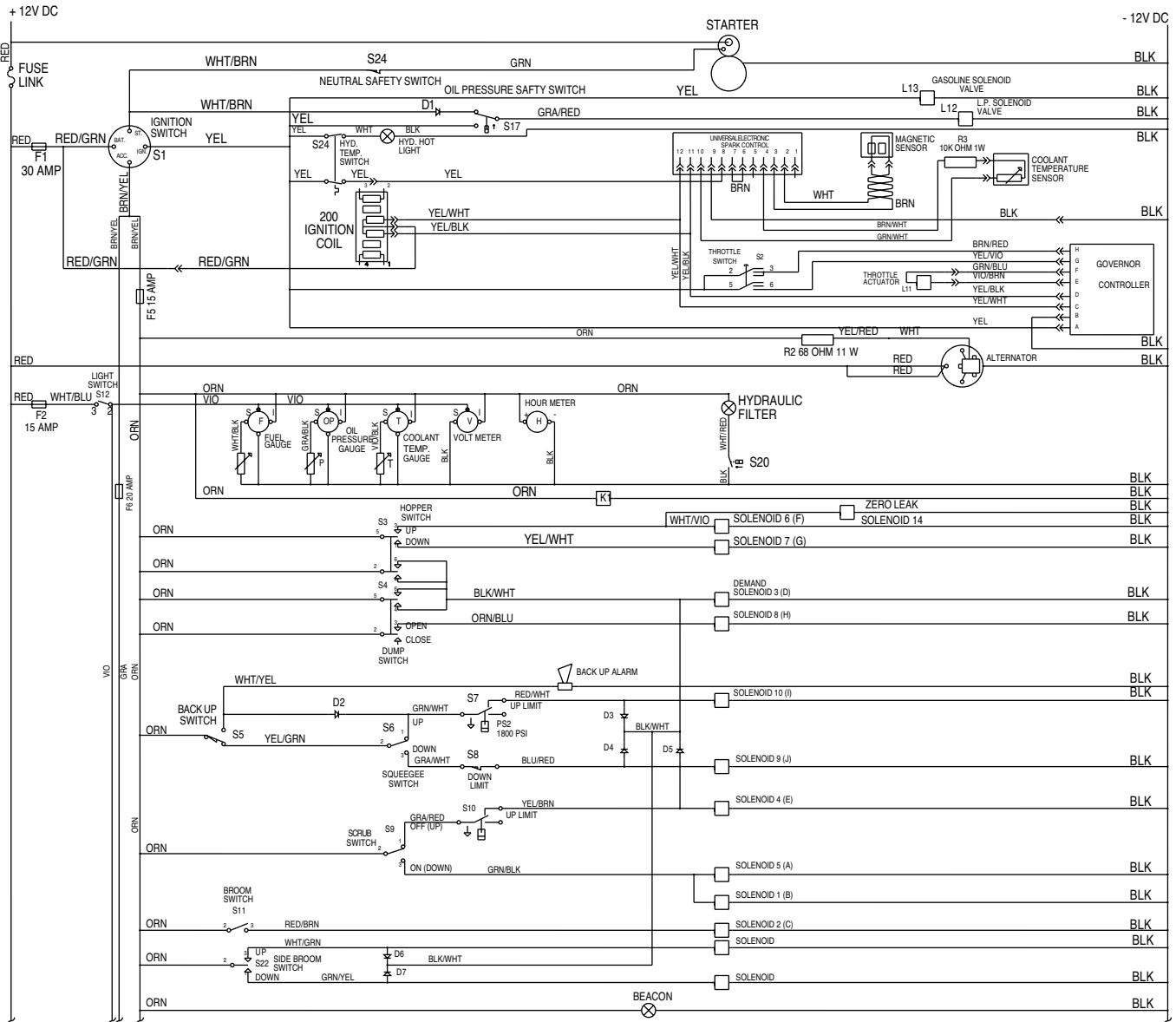
** = Optional



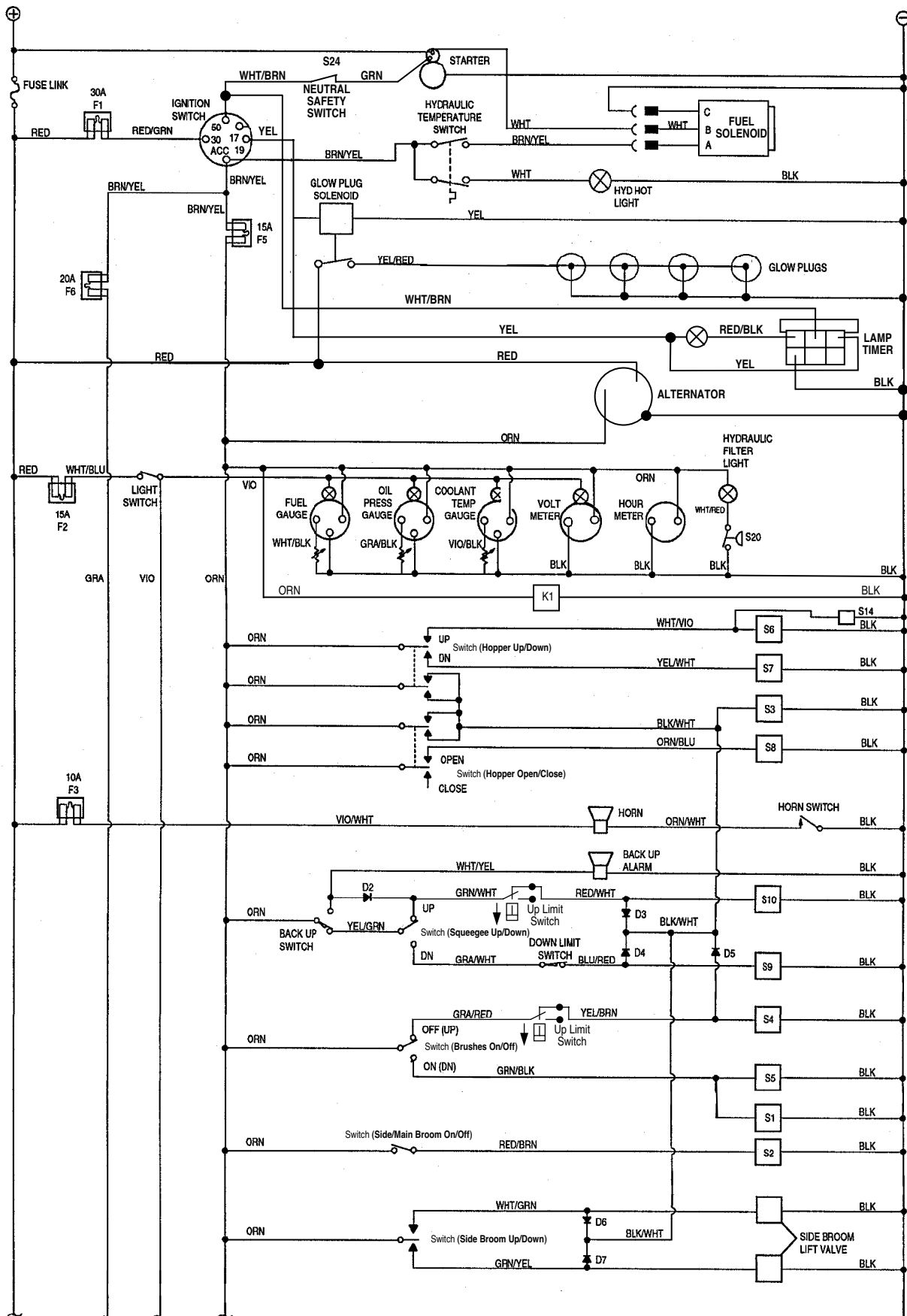
99-6	SQUEEGEE MOUNT & LIFT	BOOK E		
01-2	Hydro-Retriever™ 2067 / CR 1700	E	11.3.1	71

Item	Ref. No.	Qty	Description
1	56009039	4	Scr, Hex Form 10-24X.50
2	56463398	1	Bracket
3	56002768	2	Nut, Hex Nyl Loc 10-24
4	56001882	1	Pin, Cot .06X .75
5	56462813	1	Pin
6	56441406	2	Bushing
7	56009022	10	Wsh, Flt .752/.756X1.250X.125
8	56366633	2	Bushing
9	56486733	1	Pin
10	56002181	1	Pin, Cot .12X1.50
11	56001807	4	Nut, Hex Jam 1/2-20
12	56462947	1	Rod
13	56477813	1	Ball Joint
14	56002956	4	Scr, Hex Loc 5/16-18X.75
15	56462800	1	Squeegee Mount
16	56002770	2	Nut, Hex Nyl Loc 1/2-13 (See Note #1)
17	56003264	1	Ring Ret Ext Type E
18	56462814	2	Bracket (See Note #1)
19	56407344	2	Caster (See Note #1)
20	56001879	5	Wsh, Flt SAE 1/2
21	56462812	4	Arm
22	56001995	8	Scr, Hex 1/2-13X1.75
23	56009017	11	Wsh, Flt Harden .516X.938X.075
24	56367206	8	Bushing
25	56367168	8	Bearing
26	56002770	8	Nut, Hex Nyl Loc 1/2-13
27	56463311	1	Yoke
28	56002701	2	Nut Hex Nyl Loc 5/16-18
29	56300241	1	Bushing
30	56463849	1	Lift Arm TSB 755
31	56002094	1	Scr, Hex 5/16-18X1.50
32	56001939	6	Wsh, Flt SAE 5/16
33	56398618	1	Bushing
34	56003266	1	Ring, Ret Ext Type E
35	56462804	1	Arm TSB 755
36	56360627	1	Bushing
37	56002368	1	Scr, Hex Thd/Hd 5/16-18X1.75
38	56492025	1	Cylinder
39	56462362	1	Switch Assembly
40	56463395	1	Tang Weld't
41	56900001	1	Connector O-Ring
42	56900301	1	Elbow, 90 Deg W/Nut
43	56900101	1	Elbow, 90 Deg O-Ring
44	56001879	2	Wsh, Flt SAE 1/2 (See Note #1)

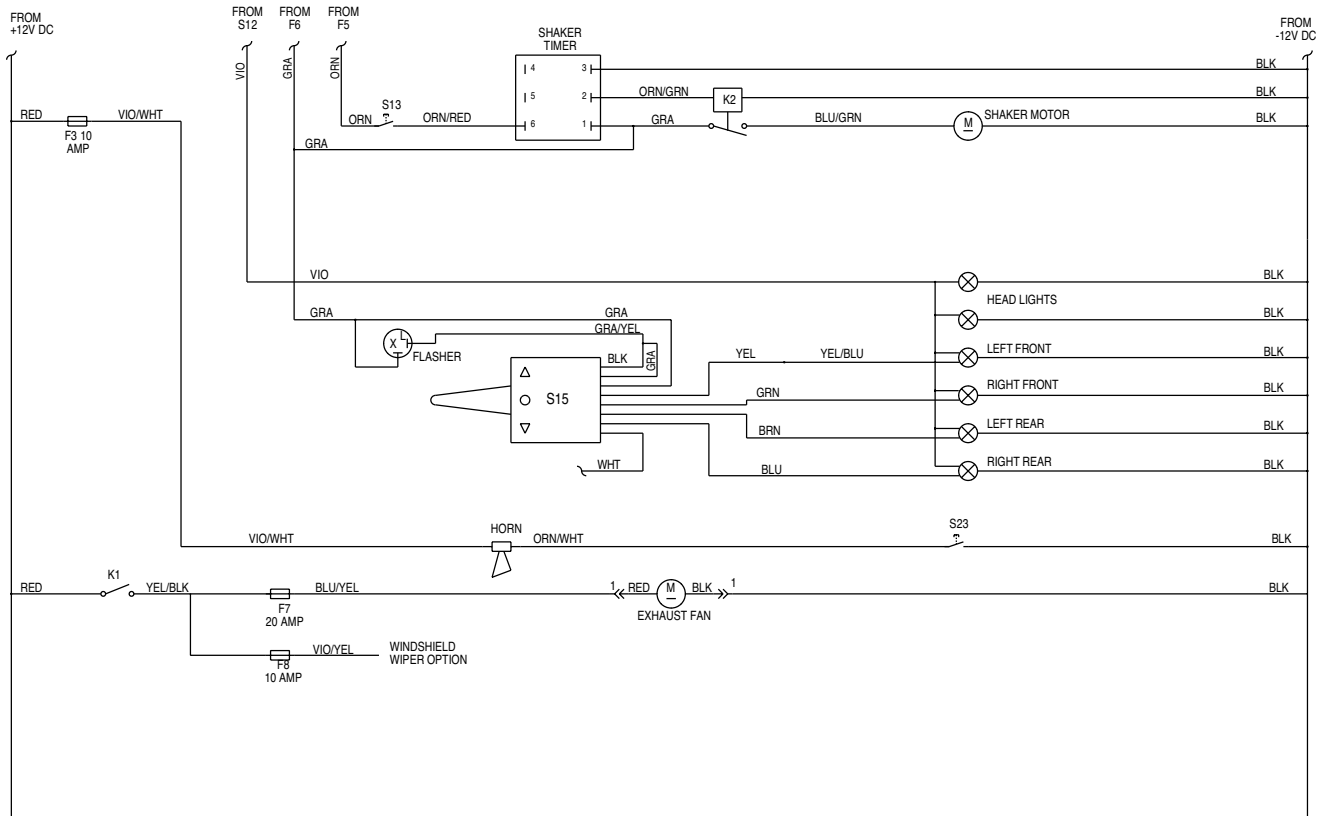
Note #1: The original caster had a threaded shaft of 3/8", this new caster (56407344) has a 1/2" diameter shaft. When replacing the casters on machines before SN 1396728 you will need to order a replacement 1/2" nut (56002770) and 1/2" washer (56001879), also the hole in **(18)** Bracket will have to be drilled out to a diameter of 1/2" to accommodate the new caster. Replace both casters together, if replacing a caster with a 3/8" shaft.



Ref. No.	Qty	Description
56452257	1	Alternator Group (W/Brackets & Belt)
56462366	1	Back-Up Alarm
56462362	1	Back-Up Switch
56441511	1	Battery
56482463	1	Light, Strobe TSB 743
56489600	1	Gauge, Temperature
56481888	1	Coolant Temp Sender
56493063	1	Diode (D1)
56462355	1	Diode (D2)
56462359	1	Diode Assembly (D3, D4, D5)
56462357	1	Diode Assembly (D6, D7)
56393492	1	Switch, (Hopper Open/Close)
56455811	1	Wiring Harness, Engine (2067 before May 1999)
56460007	1	Wiring Harness, Engine (2067 after April 1999 & all CR1700)
56455819	1	Switch, (Throttle Control)
56489598	1	Gauge, Fuel Level
56478358	1	Fuel Level Sender
56900229	1	Fuse 10 Amp
56900230	1	Fuse 15 Amp
56900755	1	Fuse 20 Amp
56900283	1	Fuse 30 Amp
56455231	1	Barber Colman Governor TSB 809
56455029	1	Controller, Rotary TSB 809
56455052	1	Throttle Actuator (Gas) TSB 809
56455049	1	Throttle Actuator (LP)
56462367	1	Hopper Cord Assembly
56393492	1	Switch, (Hopper Up/Down)
56478363	1	Meter, Hour
56483117	1	Hydraulic Filter Light
56483117	1	Hydraulic Hot Light
56463096	1	Hydraulic Temperature Switch
56462887	1	Ignition Coil TSB 782
56463859	1	Ignition Coil TSB 782
56463575	1	Spark Plug Wire Set TSB 782
56463854	1	Spark Plug Wire Set TSB 782
56462915	1	Module W/Harness TSB 749
56100628	1	Key Switch Kit
56456626	1	L.P. Solenoid Valve
56462356	1	Lower Wiring Harness
56418808	1	Magnetic Sensor (B)
56393312	1	Switch, (Side/Main Broom On/Off)
56455812	1	Main Wiring Harness
56489592	1	Gauge, Pressure
56493146	1	Oil Pressure Safety Switch
56478698	1	Oil Pressure Sender
56484290	1	Resistor (25K Ohm)
56462369	1	Resistor (68 Ohm)
56393312	1	Switch, (Brushes On/Off)
56393492	1	Switch, (Side Broom Up/Down)
56462362	1	Squeegee Down Limit Switch
56393312	1	Switch, (Squeegee Up/Down)
56460005	1	Switch, Neutral Safety (2067 after Dec. 1999 & all CR1700)
56462055	1	Starter
56482044	1	Meter, Volt



Ref. No.	Qty	Description
56462863	1	Alternator
56462366	1	Back-Up Alarm
56462362	1	Back-Up Switch
56491902	1	Battery
56482463	1	Light, Strobe TSB 743
56489600	1	Gauge, Temperature
56481888	1	Coolant Temp Sender
56493063	1	Diode (D1)
56462355	1	Diode (D2)
56462359	1	Diode Assembly (D3, D4, D5)
56462357	1	Diode Assembly (D6, D7)
56393492	1	Switch, (Hopper Open/Close)
56463582	1	Wiring Harness, Engine (2067 before May 1999)
56460000	1	Wiring Harness, Engine (2067 after April 1999 & all CR1700)
56489598	1	Gauge, Fuel Level
56478358	1	Fuel Level Sender
56492109	1	Fuel Solenoid
56900229	1	Fuse 10 Amp
56900230	1	Fuse 15 Amp
56900755	1	Fuse 20 Amp
56900283	1	Fuse 30 Amp
56497755	1	Indicator Light (Glow Plug)
56462367	1	Hopper Cord Assembly
56393492	1	Switch, (Hopper Up/Down)
56478363	1	Meter, Hour
56483117	1	Hydraulic Filter Light
56483117	1	Hydraulic Hot Light
56463096	1	Hydraulic Temperature Switch
56497754	1	Key switch
56462356	1	Lower Wiring Harness
56393312	1	Switch, (Side/Main Broom On/Off)
56463583	1	Main Wiring Harness
56489592	1	Gauge, Pressure
56478698	1	Oil Pressure Sender
56484290	1	Resistor (25K Ohm)
56462369	1	Resistor (68 Ohm)
56393312	1	Switch, (Brushes On/Off)
56393492	1	Switch, (Side Broom Up/Down)
56462362	1	Squeegee Down Limit Switch
56393312	1	Switch, (Squeegee Up/Down)
56460005	1	Switch, Neutral Safety (2067 after Dec. 1999 & all CR1700)
56463294	1	Starter
56482044	1	Meter, Volt
56463590	1	Lamp Timer (Glowplug Indicator)



Ref. No.	Qty	Description
56441555	1	Shaker Switch
56491870	1	Time Delay (Shaker Motor)
56491862	1	Relay (Shaker Motor)
56491820	1	Shaker Motor
56481543	2	Headlight
56100061	2	Tail Light
56442054	1	Horn
56441555	1	Horn Switch
56463696	1	Optional Engine Compartment Exhaust Fan (Gas/LP models only)

Austria (Sales Sub)

Nilfisk-Advance GmbH	Phone: +43
Voralberger Allee 46	1616 58 30 22
A-1230 Wien	Fax: +43
info@nilfisk-advance.at	1616 58 30 40
www.nilfisk-advance.at	

Belgium (Sales Sub)

Nilfisk-Advance NV/SA	Phone: +32
Doornveld Sphere Business Park	(0)2467 60 50
Industrie Asse 3, No. 11	Fax: +32
B-1731 Zellik-Asse	(0)2463 44 16
www.nilfisk-advance.be	

Czech Republic (Sales Sub)

Nilfisk-Advance s.r.o.	Phone: +420
Lysinská 44/1863	2 44 09 09 12
143 00 Praha - Modrany	+420
Czech Republic	2 44 09 09 21 4
	Fax: +420
	2 44 40 23 93

Denmark

Nilfisk-Advance A/S	Phone: +45
Sognevej 25	43 23 81 00
DK-2605 Brøndby	Fax: +45
mail@nilfisk-advance.dk	43 43 77 00
www.nilfisk-advance.com	

Denmark (Prod. Sub)

Gerni A/S	Phone: +45
Myntevej 2	89 12 22 00
DK-8900 Randers	Fax: +45
www.gerni.com	86 43 14 81

Denmark (Sales Sub)

Nilfisk-Advance Nordic A/S	Phone: +45
Sognevej 25A	43 23 40 50
Postbox 344	Fax: +45
DK-2605 Brøndby	43 23 40 60
kundeservice@nilfisk-advance.dk	
www.nilfisk-advance.dk	

France (Sales Sub)

Nilfisk-Advance S.A.	Phone: +33
27 avenue de la Baltique	1695 98 700
Villebon sur Yvette	Fax: +33
P.B. 246	1695 98 701
F-91944 Courtaboeuf Cedex	
info@nilfisk-advance.fr	
www.nilfisk-advance.fr	

Germany (Sales Sub)

Nilfisk-Advance AG	Phone: +49
Siemensstrasse 25-27	4101 3990
Postfach 1361	Fax: +49
D-25462 Rellingen	4101 39 91 91
info@nilfisk-advance.de	
www.nilfisk-advance.de	

Greece (Sales Sub)

Nilfisk-Advance A.E.	Tel.: +30
8, Thoukididou Str.	210 963 3443
Argioupoli	Fax: +30
Gr - 164 52 Athens	210 965 0975
Greece	

Holland (Sales Sub)

Nilfisk-Advance B.V.	Phone: +31
Camerastraat 9 (2e verdieping)	36 546 07 00
1322 BB Almere	Fax: +31
Postbus 60112	36 523 51 48
1320 AC Almere	
www.nilfisk-advance.nl	

Ireland (Sales Sub)

Nilfisk-Advance Limited	Phone: +35
28 Sandyford Office Park	3 12 94 38 38
Sandyford, Dublin 18	Fax: +35
Ireland	3 12 94 38 45

Italy (Prod & Sales Sub)

CFM SpA	Phone: +39
Nilfisk-Advance Div. Guardamiglio	0377 /414021
Localita Novella III	/45 1124
I-26862 Guardamiglio (Mi)	Fax: +39
	0377 51 443

Italy (Prod & Sales Sub)

CFM S.p.A.	Phone: +39
Via Porrettana 1991	059 973 0000
I-41059 Zocca (Modena)	Fax: +39
cfm@cfm.it	059 973 0099

Norway (Sales Sub)

Nilfisk-Advance AS	Phone: +47
Ulvenveien 89C	23 06 75 00
N-0581 Oslo	Fax: +47
	23 06 75 01

Poland (Sales Sub)

Nilfisk-Advance Sp.Z.O.O.	Phone: +48
05-800 Pruszków	22 738 37 50
ul. 3-go MAJA 8	Fax: +48
Poland	22 738 37 51

Portugal (Sales Sub)

Nilfisk-Advance, Lda.	Phone: +35
Sintra Business Park	121 911 2670
Zona Industrial Da Abrunheira	Fax: +35
Edificio 1, 1o A	121 911 2679
P-2710-089 Sintra	

Russia (Sales Sub)

Nilfisk-Advance LLC	Phone: 7
Vyatskaya str. 27, bld. 7	095 783 9602
127015 Moscow	Fax: +7
Russia	095 783 9603

Spain (Sales Sub)

Nilfisk-Advance S.A.	Phone: +34
Torre D'Ara	93 741 2400
Passeig del Rengle, 5 Pl.10	Fax: +34
E-08302 Mataró (Barcelona)	93 757 8020
nilfisk@nilfisk-advance.es	

Sweden (Sales Sub)

Nilfisk -Advance A/S	Phone: +46
Sjöbjörnsvägen 5	8555 94400
Box 44045	Fax: +46
S-100 73 Stockholm	8555 94430
info@nilfisk-advance.se	
www.nilfisk-advance.se	

Sweden (Prod.)

Nilfisk-Advance A/S	Phone: +46
Åmål Branch	5321 7500
Strömsbergsgatan	Fax: +46
Box 127	5321 7595
S-662 23 Åmål	

Switzerland (Sales Sub)

Nilfisk-Advance AG	Phone: +41
Ringsstrasse 19	71 92 38 444
Kirchberg/Industrie Stelzl	Fax: +41
CH-9500 Wil	71 92 35 283

www.nilfisk-advance.ch

UK (Sales Sub)

Nilfisk-Advance Limited	Phone: +44
Newmarket Road	1284 763163
Bury St. Edmunds	Fax: +44
UK-Suffolk IP33 3SR	1284 750 562

USA (Prod.)

Nilfisk-Advance Inc.	Phone: +1 763
14600 21.st Avenue North	745 3500
Plymouth, MN 55447-3408	Fax: +1 763
www.mn.nilfisk-advance.com	745 3718

USA (Sales Sub)

Nilfisk-Advance America Inc.	Phone: +1 610
300 Technology Drive	647 6420
Malvern, PA 19355	Fax: +1 610
www.pa.nilfisk-advance.com	647 6427

Canada (Sales Sub)

Nilfisk-Advance Canada Comp.	Phone: +1 905
396 Watline Avenue	712 3260
Mississauga, Ontario L4Z 1X2	Fax: +1 905
	712 3255

Australia (Sales Sub)

Nilfisk-Advance Pty. Ltd.	Phone: +61(0)2
48 Egerton Street	9648 2700
Silverwater, NSW 2128	Fax: +61(0)2
<i>Postal adresse:</i>	9648 2711
PO Box 6046	
Silverwater. NSW 1811	
info@nilfisk-advance.com.au	
www.nilfisk-advance.com.au	

China (Shenzhen)

Nilfisk-Advance (Shenzhen) Ltd	Phone: +86 755
Blok 3, Unit 130, 1001 Honghua Road	8359 7937 el.
Int. Commercial & Trade Center	8359 7939-42
Fuitian Free Trade Zone	Fax: +86 755
518038 Shenzhen	8359 1063
P.R. China	

China (Suzhou)

Nilfisk-Advance Professional	Phone: +86 512
Cleaning Equipment (Suzhou) Co. Ltd.	8918 5656
306 Su Hong Zhong Road, Build. 2	Fax: +86 512
Suzhou Industrial Park	8918 5666
215021 Suzhou	
P.R. China	

Hong Kong (Sales Sub)

Nilfisk-Advance Ltd.	Phone: +852
2001 HK Worsted Mills Ind'l Bldg.,	2427 5951
31-39 Wo Tong Tsui St.	Fax: +852
Kwai Chung, Hong Kong	2487 5828

Japan (Sales Sub)

Nilfisk-Advance Inc.	Phone: +8145
3-17-40-101 Chigasaki Higashi	942 7741
Tsuzuki-ku, Yokohama 224-0033	Fax: +8145
Japan	942 6545

Malaysia (Sales Sub)

Nilfisk-Advance Sdn Bhd	Phone: +60 3
No. 21, Jalan SS 25/41	7956 8188
Mayang Industrial Park	Fax: +60 3
47301 Petaling Jaya	7966 6828
Selangor, Malaysia	

New Zealand (Sales Sub)

Nilfisk-Advance Limited	Phone: +64(0)9
Danish House	525 0092
6 Rockridge Avenue	Fax: +64(0)9
Penrose 92-829	525 6440
Auckland1135	
<i>Postal adresse:</i>	
Private Bag 92 825	
Auckland	
New Zealand	

Singapore (Sales Sub)

Nilfisk-Advance Pte. Ltd.	Phone: + 65
22,Woodlands Industrial Park E1	6 7599100
Singapore 757740	Fax: +65
sales@nilfisk-advance.com.sg	7599133

Taiwan, ROC (Sales Sub)

Nilfisk-Advance Ltd.	Phone: +886
Taiwan Branch (H.K.)	2 2239 8812
1F, No. 193, Sec.2	Fax: +886
Xing Long Rd., Taipei	2 2239 8832
Taiwan, R.O.C.	

Thailand (Sales Sub)

Nilfisk-Advance Co. Ltd.	Phone: +66 2
89 Soi Chokechai-Ruammitr	275-5630
Viphavadee-Rangsit Road	Fax: +66 2
Ladyao, Jatuchak, Bangkok 10900	691-4079
Thailand	



www.nilfisk-advance.com

© 2004 Printed in USA