



Electronic Service Manuals

This electronic document is provided as a service to our customers. We do not create the contents of the information contained in this document. Should you have detailed questions pertaining to the information contained in this document, you may contact Michco, or the manufacturer which provided the original information in this electronic deliverable. Michco's only part in this electronic deliverable was the electronic assembly process.

You may contact Michco through the following methods:
Phone (517) 484-9312 or (800) 331-3339 MI, OH, IN only
2011 N. High St. -- Lansing, Michigan -- 48906
Fax: (517) 484-9836
Email: CustServ@Michco.com
Web site: www.Michco.Com
Parts Web site: www.FloorMachineParts.Com

Order Parts on Line at:
www.FloorMachineParts.Com

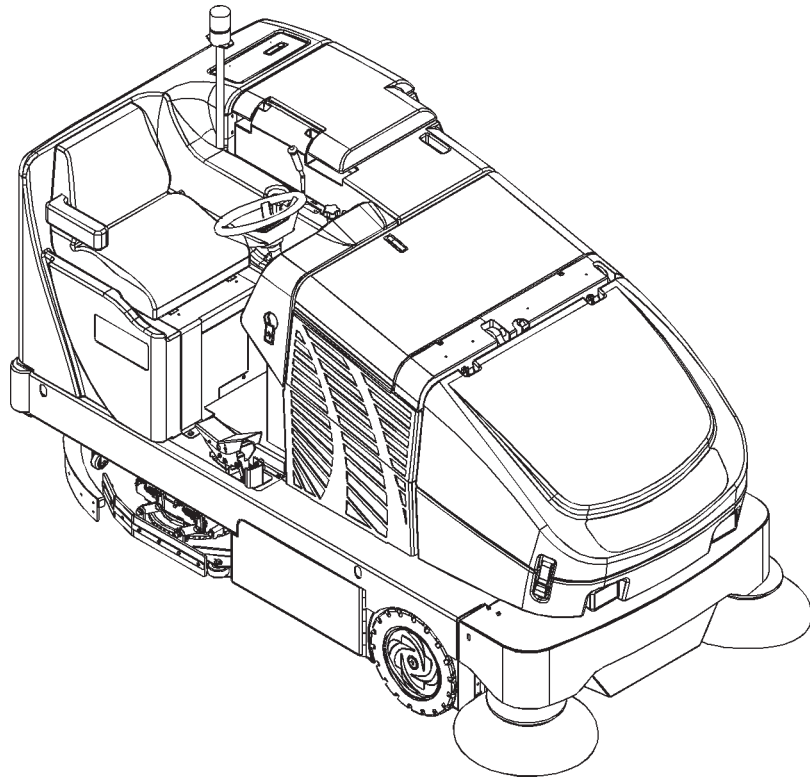
Directly to Parts & Service:
By Email: **Shop@Michco.com**
By Fax: (517) 702-2041
By Voice: Use numbers above.

Serving the Cleaning Industry Since 1922

Notice: All copyrighted material remains property of original owners, all trademarks are property of respective owners. Manuals are subject to Manufacturer's reproduction limitations. Originals or reproductions were provided by manufacturers through a request. We make no warranty as to the correctness of information provided in this document and you assume all risk.

Captor™ 4300B, 4800B

CR 1100B, 1200B



PARTS LIST

Advance MODEL 56303000 (4800 battery), 56303001 (4300 battery)

Nilfisk MODEL 56303004 (CR 1200 battery), 56303005 (CR 1100 battery)



**Nilfisk
Advance**

setting standards

3/04 revised 3/05 FORM NO. 56042441
BOOK E SECTION 15.3.1

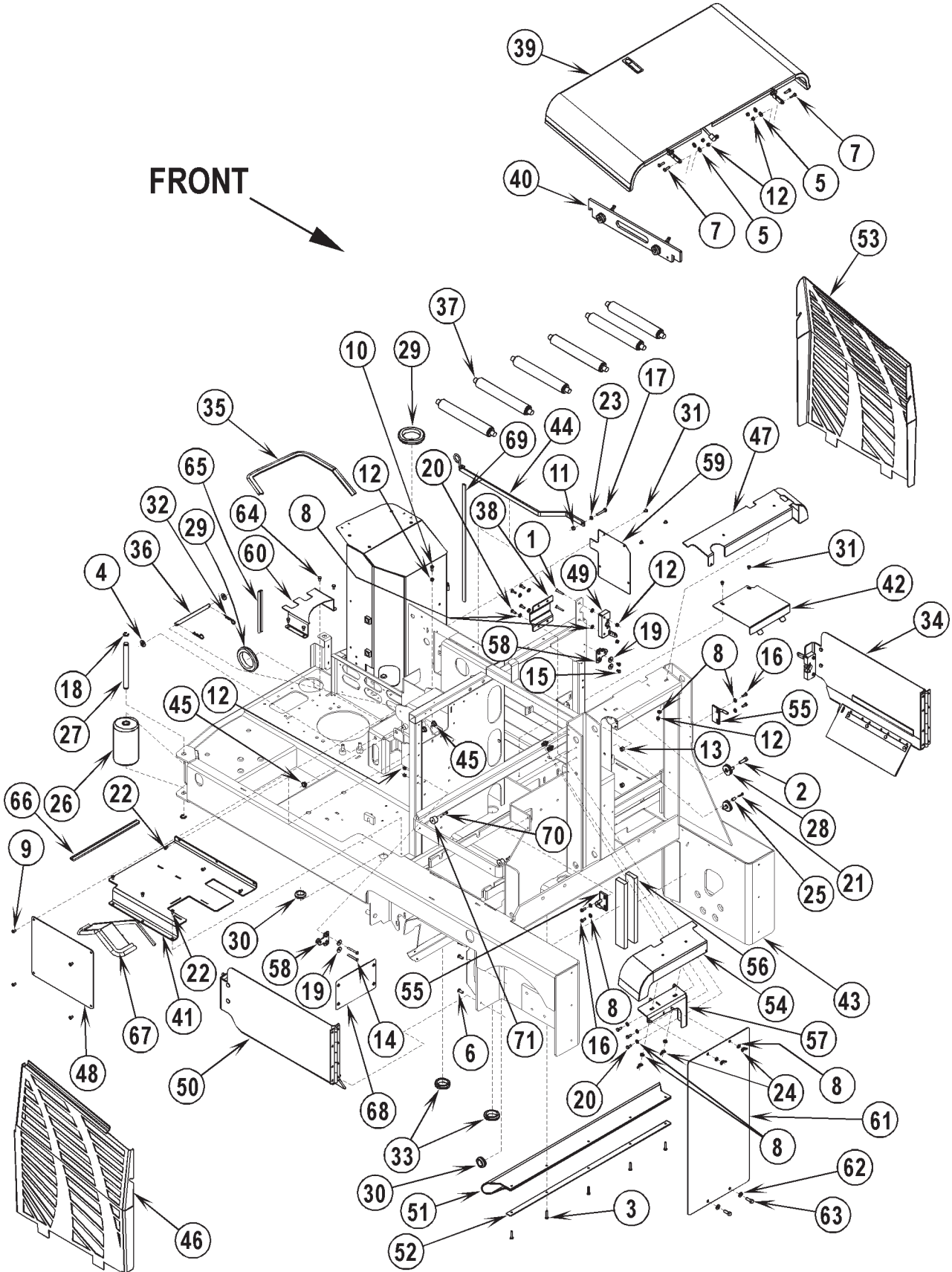
DESCRIPTION	PLAN
Chassis System.....	E-15.3.1-3
Chassis System Sub-Assemblies.....	E-15.3.1-5
Control System.....	E-15.3.1-7
Control System Sub-Assemblies.....	E-15.3.1-9
Decal System.....	E-15.3.1-11
Drive System.....	E-15.3.1-13
Dust Control System.....	E-15.3.1-15
Electrical System.....	E-15.3.1-17
Electrical System Sub-Assemblies.....	E-15.3.1-19
Front Wheel System.....	E-15.3.1-21
Hopper System.....	E-15.3.1-23
Hopper System Sub-Assemblies.....	E-15.3.1-25
Hydraulic System.....	E-15.3.1-27
Main Broom System.....	E-15.3.1-29
Main Broom System Sub-Assemblies.....	E-15.3.1-31
Recovery System.....	E-15.3.1-33
Recovery Tank Assembly (4300B & CR 1100B).....	E-15.3.1-35
Recovery Tank Assembly (4800B & CR 1200B).....	E-15.3.1-37
Scrub System.....	E-15.3.1-39
Scrub System Skirt-Assemblies.....	E-15.3.1-41
Side Broom System.....	E-15.3.1-43
Side Broom System Sub-Assemblies.....	E-15.3.1-45
Solution System 4300B / CR 1100B (60 GALLON).....	E-15.3.1-47
Solution System 4800B / CR 1200B.....	E-15.3.1-49
Solution System Sub-Assemblies.....	E-15.3.1-51
Squeegee System 4300B / CR 1100B.....	E-15.3.1-53
Squeegee System 4800B / CR 1200B.....	E-15.3.1-55
Squeegee Assembly.....	E-15.3.1-57
Steering System.....	E-15.3.1-59
Wiring Diagram – 1 (before SN1779197).....	E-15.3.1-61
Wiring Diagram – 2 (before SN1779197).....	E-15.3.1-63
Wiring Diagram – 1 (after SN1779196).....	E-15.3.1-65
Wiring Diagram – 2 (after SN1779196).....	E-15.3.1-67
Optional Kits and Accessories.....	E-15.3.1-69
Beacon Kit (standard on Nilfisk 48" & 54" Models).....	E-15.3.1-71
Beacon Kit (standard on Nilfisk 43" Models).....	E-15.3.1-73
Back-Up Alarm Kit (standard on Nilfisk models).....	E-15.3.1-75
Broom Selector Guide.....	E-15.3.1-76
Brush Selector Guide.....	E-15.3.1-77

WHEN ORDERING PARTS

- * Use the 8 digit numbers from the "Ref. No." columns in this parts list.
- * Specify the model and serial number of the machine.
- * Use the space below to record the model and serial number for future reference.

Model _____ Serial No. _____

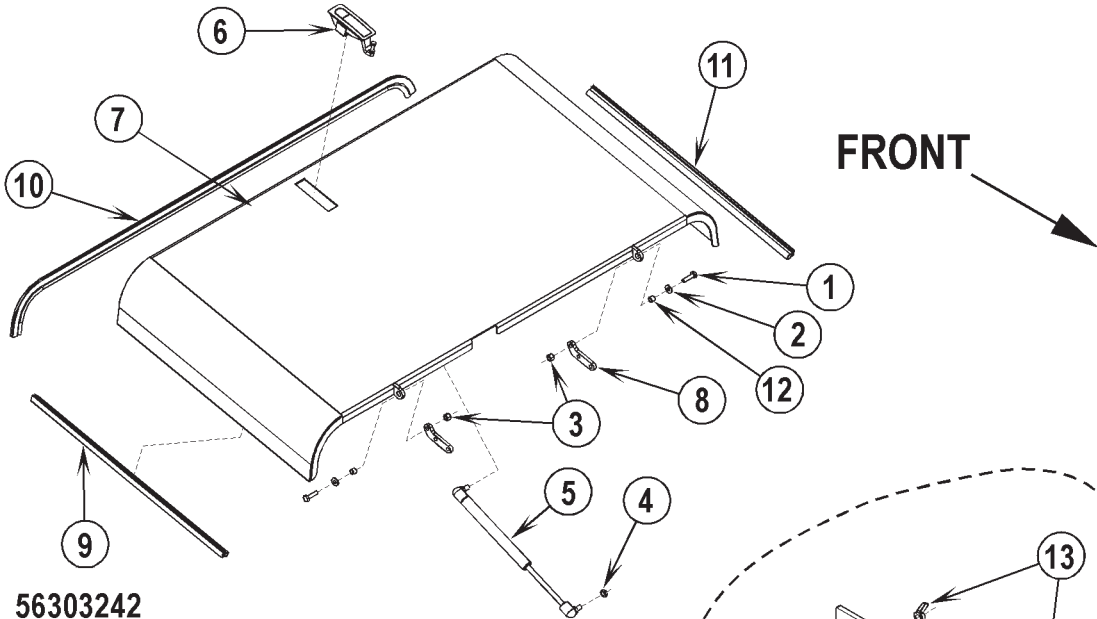
FRONT



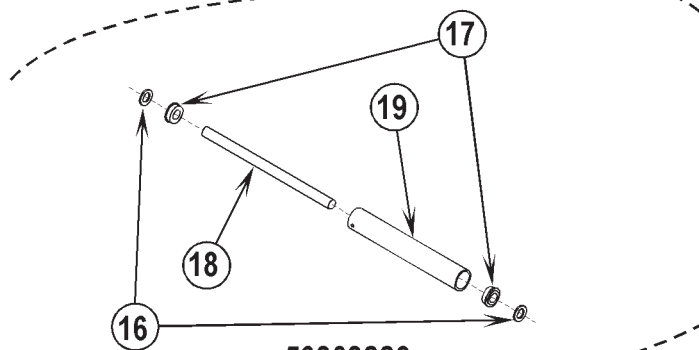
Item	Ref. No.	Qty	Description	Item	Ref. No.	Qty	Description
1	56002786	2	Scr, Pan Phil 1/4-20 x 1.50	41	56303312	1	Floor Weldment, Operator
2	56001858	2	Scr, Hex Hd 3/8-16 x 1.25	42	56303315	1	Cover, Broom Motor
3	56001878	5	Scr, Hex Hd 1/4-20 x 1.25	43	56303319	1	Weldment, Chassis
4	56001879	2	Wsh, Flt SAE 1/2				(Nilfisk models see TSBUS2005-894)
5	56001906	4	Wsh, Flt Std 1/4	44	56304473	1	Prop Rod Linkage Weldment
6	56002929	6	Scr, Hex Hd Loc 5/16-18 x .62	45	56304519	3	Bearing, Fl .625 x .500 x .375
7	56002093	4	Scr, Hex Hd 1/4-20 x 1.00	46	56304583	1	Panel, Right (Advance)
8	56002098	19	Wsh, Flt SAE 1/4		56305314	1	Panel, Right (Nilfisk)
9	56002145	4	Scr, Pan Phil 1/4-20 x .50	47	56304692	1	Top Cosmetic Cover
10	56002155	2	Scr, Hex Hd 1/4-20 x .75	48	56304787	1	Cover, Control Box
11	56002701	1	Nut, Hex Nyl Loc 5/16-18	49	56304827	1	Latch, RH
12	56002708	12	Nut, Hex Nyl Loc 1/4-20	50	56304876	1	Right Broom Door Assy
13	56002769	2	Nut, Hex Nyl Loc 3/8-16	51	56304926	1	Blade, Dump Door Shield
14	56001874	2	Scr, Hex Hd 1/4-20 x 2.00	52	56304927	1	Strap, Dump Door Shield
15	56002933	2	Scr, Hex Hd Loc 1/4-20 x .38	53	56304958	1	Panel, Left
16	56002948	4	Scr, Hex Hd Loc 1/4-20 x .75	54	56304968	1	Top Cover
17	56003005	1	Scr, Hex Hd 5/16-18 x 1.75	55	56305095	2	Latch Weldment
18	56003266	4	Ring, Ret Ext Type E 0.75 Dia.	56	56305197	2	Gasket
19	56009002	4	Wsh, Flt .266 x .906 x .060	57	56305281	1	Cover Mount Weldment
20	56009018	7	Scr, Hex Thd Form 1/4-20 x .75	58	56305331	2	Weldment, Panel Lock
21	56009038	2	Scr, Hex Thd Form 10-24 x .88	59	56305598	1	Panel, Broom Lift Adjust
22	56009062	6	Scr, Pan Phil Thd Form 1/4-20 x .50	60	56303380	1	Guard, Steering Chain
23	56009086	1	Nut, Hex Jam 5/16-18	61	56303384	1	Cover, Rubber
24	56009111	4	Nut, Wing SS 1/4-20	62	56002063	2	Wsh, Flt SAE 3/8
25	56200239	2	Bushing .20 x .37 x .62	63	56002947	2	Scr, Hex Hd Loc 3/8-16 x 1.00
26	56409335	2	Bumper	64	56009033	4	Scr, Hex Thd Form 1/4-20 x .50
27	56409336	2	Pin	65	56303462	1	Gasket
28	56416546	2	Shielded Pulley	66	56303463	1	Gasket
29	56418198	2	Grommet	67	56303454	1	Shield Assy
30	56418199	2	Grommet	*	56009019	2	Scr, Hex Thd Form 1/4-20 x .38
31	56003603	6	Scr, Pan Phil Thd Form 1/4-20 x .38	*	56303449	1	Shield
32	56003644	2	Pin, Cotter Hair .120 x .5	*	56303452	1	Gasket, Bulb
33	56056215	2	Grommet	*	56303453	1	Gasket
34	56303143	1	Left Broom Door Assembly	68	56303494	1	Cover Assy
35	56303461	1	Trim-Seal	*	56009062	4	Scr, Pan Phil Thd Form 1/4-20 x .50
36	56303205	1	Pin, Actuator Mount	*	56303465	1	Gasket
37	56303228	6	Roller Assembly	*	56303468	1	Cover
38	56303229	1	Guard, Hydraulic Hoses	69	56303465	1	Gasket
39	56303242	1	Cover Battery Assembly	70	56009043	2	Scr, Pan Phil Thd Form 10-24 x .75 NOTE 1
40	56303307	1	Plate, Battery Removal Assembly	71	56303558	2	Bumper, Polyethylene NOTE 1

* = Not Shown

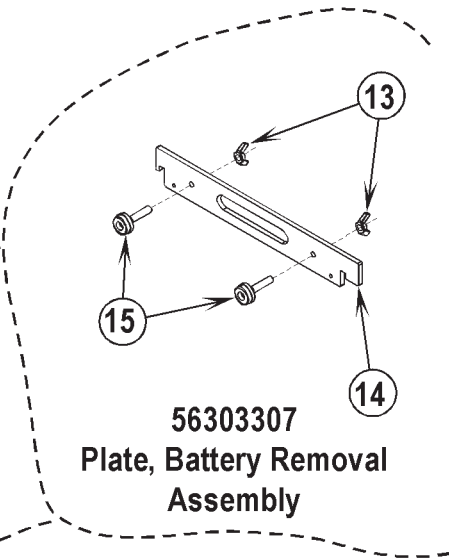
NOTE 1: Nilfisk models only, cannot be used on machines before SN 1823633. Items 70 and 71 are the components used in Battery Spacer Kit 56303559.



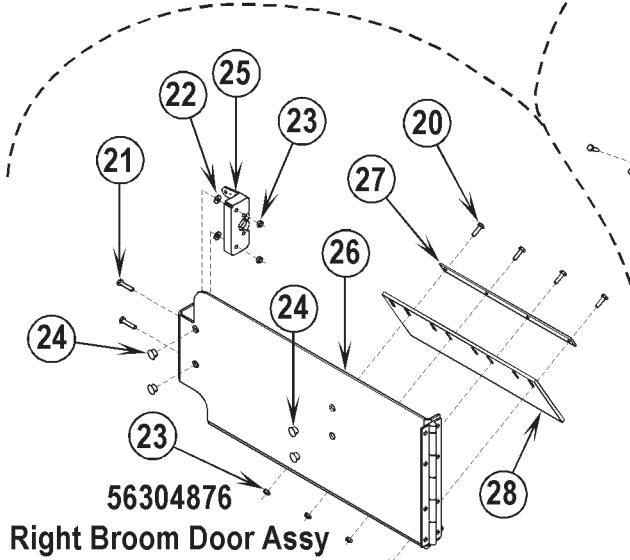
56303242
Engine Cover Assy



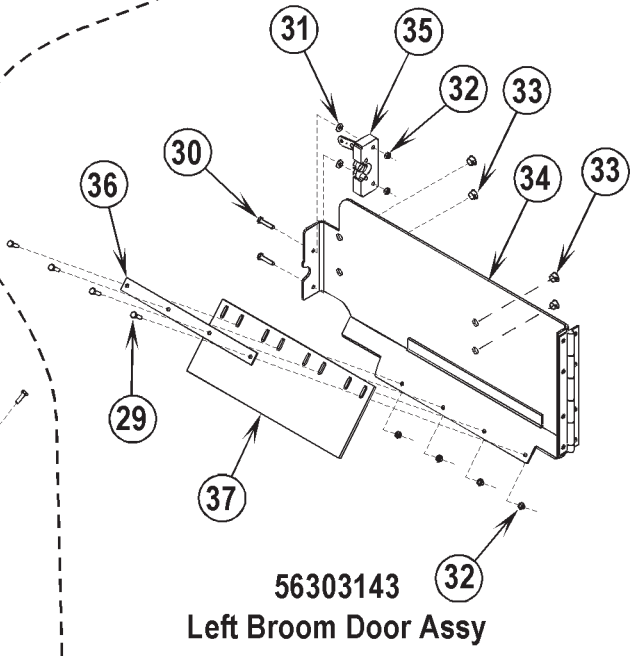
56303228
Roller Assembly



56303307
Plate, Battery Removal
Assembly

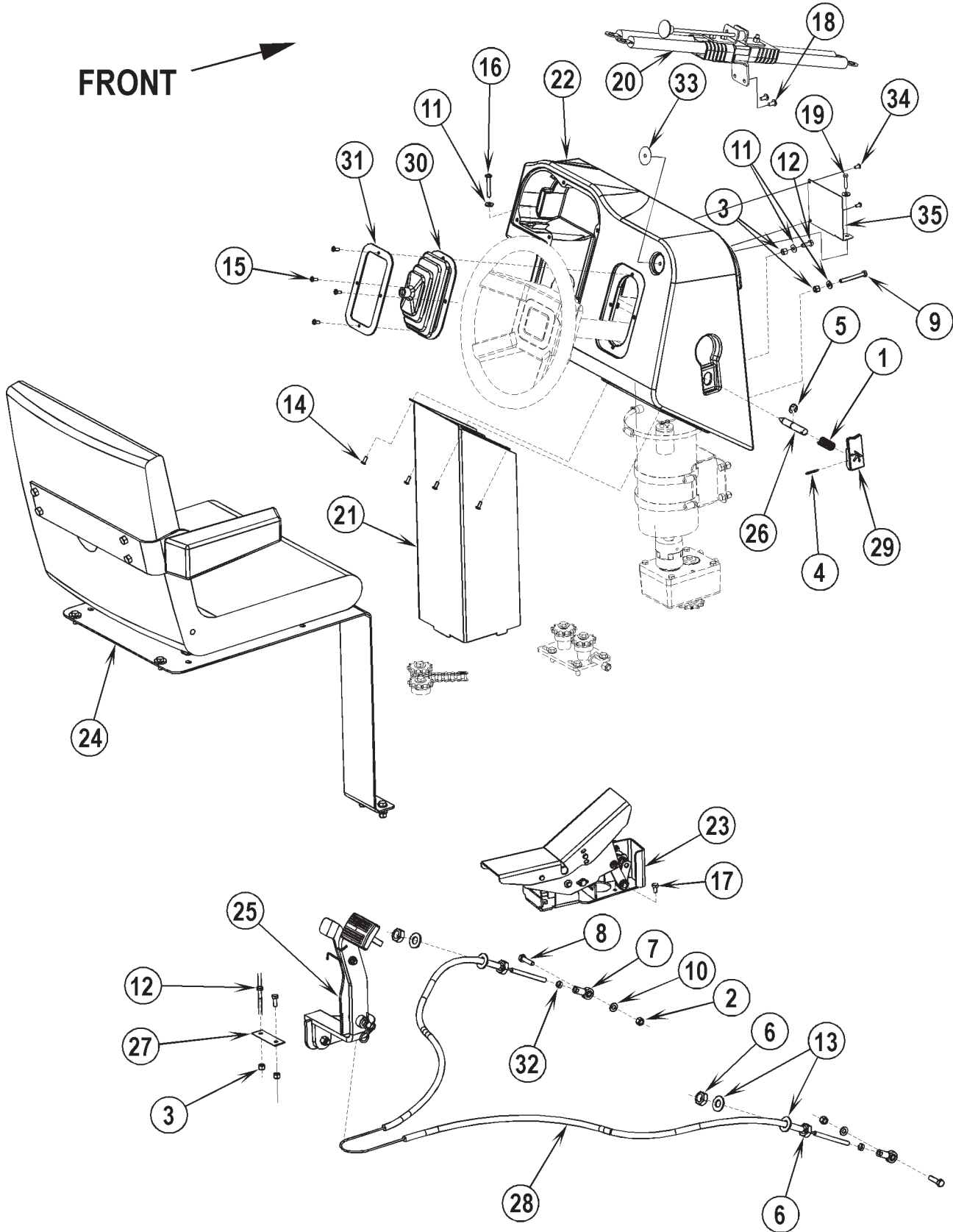


56304876
Right Broom Door Assy

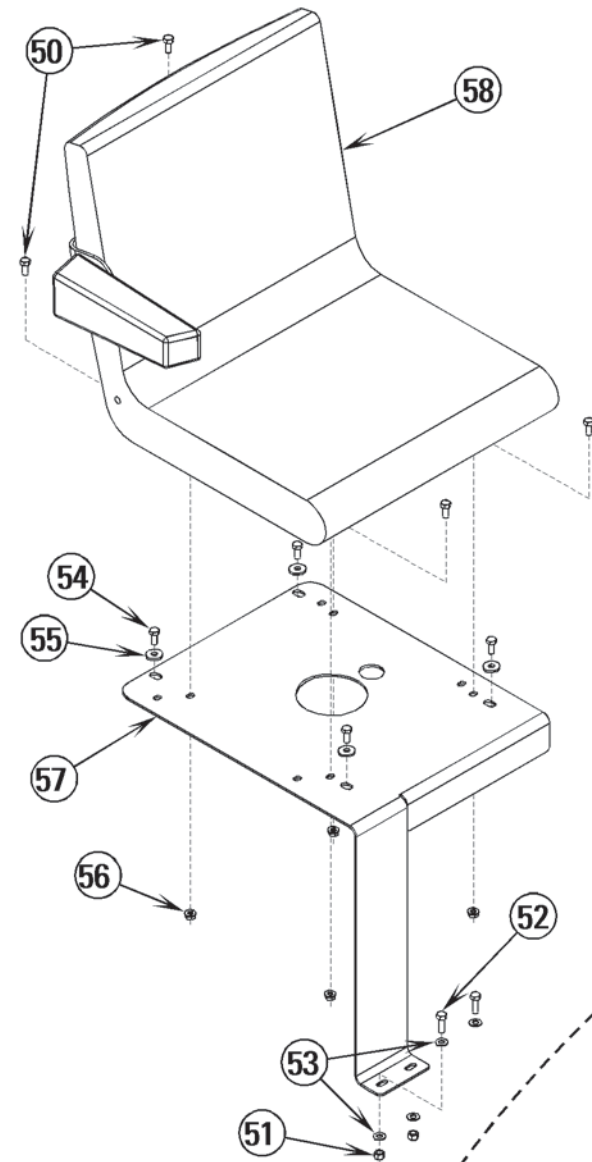


56303143
Left Broom Door Assy

Item	Ref. No.	Qty	Description
	56303242	1	Cover Battery Assembly (items 1-12)
1	56002093	2	Scr, Hex Hd 1/4-20 x 1.00
2	56002098	2	Wsh, Flt SAE 1/4
3	56002708	2	Nut, Hex Nyl Loc 1/4-20
4	56002826	2	Nut, Hex Nyl Loc-Thin 5/16-18
5	56385238	1	Gas Cylinder
6	56418471	1	Door Latch
7	56303241	1	Cover Battery Weldment
8	56304690	2	Hinge Front, Engine Cover
9	56305268	1	Trim-Seal, Raw
10	56305269	1	Trim-Seal, Raw
11	56305502	1	Trim-Seal, Raw
12	56330027	2	Bushing
	56303307	1	Plate, Battery Removal Assy (items 13-15)
13	56003289	2	Nut, Wing 1/2-13
14	56303338	1	Plate, Battery Removal, Painted
15	56449221	2	Bumper, 1.43 Dia.
	56303228	1	Roller Assembly (items 16-19)
16	56009022	2	Washer
17	56362352	2	Bearing, Ball
18	56303227	1	Bar
19	56303226	1	Roller
	56304876	1	Right Broom Door Assy (items 20-28)
20	56001821	4	Scr, Hex Hd 1/4-20 x .88
21	56001878	2	Scr, Hex Hd 1/4-20 x 1.25
22	56002098	2	Wsh, Flt SAE 1/4
23	56002840	6	Nut, Hex Nyl Loc-Thin 1/4-20
24	56418888	4	Plug, Cap
25	56304827	1	Latch, RH
26	56304877	1	Right Broom Door Weldt
27	56304881	1	Strap, Broom Door
28	56304882	1	Skirt, Broom Door
	56303143	1	Left Broom Door Assy (items 29-37)
29	56001821	4	Scr, Hex Hd 1/4-20 x .88
30	56001878	2	Scr, Hex Hd 1/4-20 x 1.25
31	56002098	2	Wsh, Flt SAE 1/4
32	56002840	6	Nut, Hex Nyl Loc-Thin 1/4-20
33	56418888	4	Plug, Cap
34	56303150	1	Left Broom Door Weldt
35	56304826	1	Latch, LH
36	56304881	1	Strap, Broom Door
37	56304882	1	Skirt, Broom Door

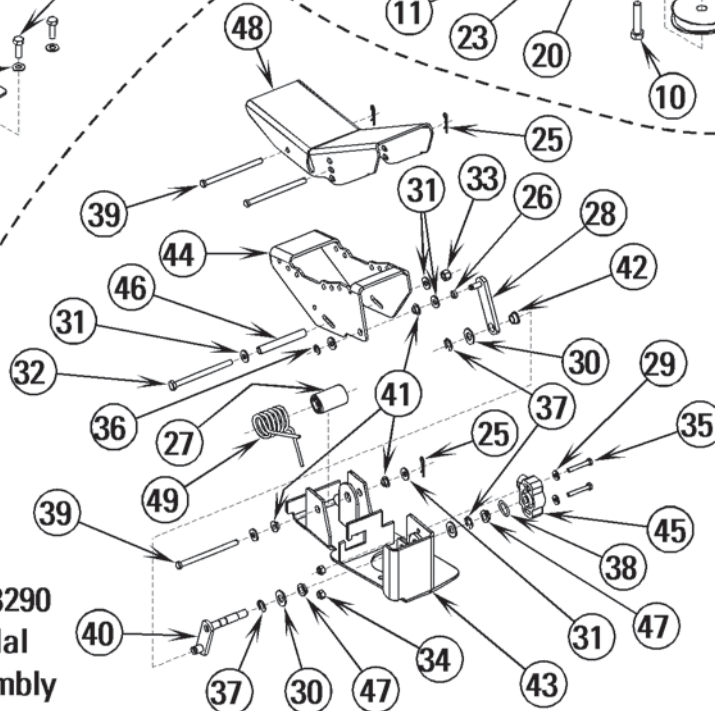
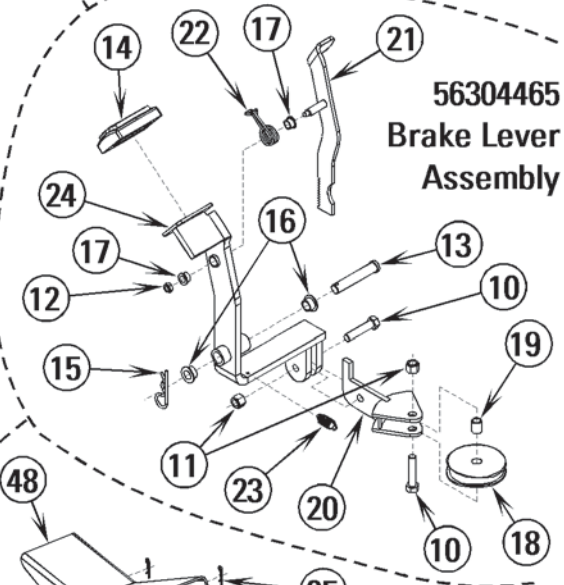
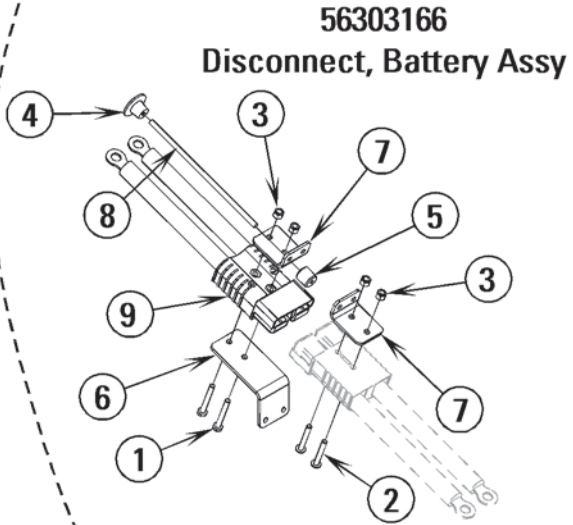


Item	Ref. No.	Qty	Description
1	56304531	1	Spring, Compression
2	56002701	2	Nut, Hex Nyl Loc 5/16-18
3	56002708	4	Nut, Hex Nyl Loc 1/4-20
4	56002763	1	Pin, Spr .12 x 1.12
5	56003264	1	Ring, Ret Ext Type E 0.50 Dia
6	56009099	4	Nut, Hex Jam 5/8-18
7	56418478	2	Rod, End .31
8	56001834	2	Scr, Hex Hd 5/16-18 x 1.25
9	56001856	1	Scr, Hex Hd 1/4-20 x 2.25
10	56001939	2	Wsh, Flt SAE 5/16
11	56002098	4	Wsh, Flt SAE 1/4
12	56002155	3	Scr, Hex Hd 1/4-20 x .75
13	56002319	4	Wsh, Flt SAE 9/16
14	56002503	4	Scr, Hex Hd 10-24 x .50
15	56002831	4	Scr, Pan Phil Blk 10-24 x .50
16	56002997	1	Scr, Pan Phil 1/4-20 x 1.75
17	56009033	3	Scr, Hex Thd Form 1/4-20 x .50
18	56009062	2	Scr, Pan Phil Thd Form 1/4-20 x .50
19	56009176	1	Scr, Hex Thd Form 10-24 x 1.00
20	56303166	1	Disconnect, Battery Assembly
21	56303177	1	Cover, Steering Shaft
22	56303225	1	Console Assembly, Battery Captor
23	56303290	1	Pedal Assembly
24	56303363	1	Seat Mounting Assembly
25	56304465	1	Brake Lever Assembly
26	56304530	1	Pin, Lock
27	56304543	1	Catch, Brake Lock
28	56304599	1	Cable, Pull Brake
29	56304774	1	Steering Adjustment Lever
30	56304812	1	Boot, Steering
31	56304813	1	Steering Boot Retainer
32	56009102	2	Nut, Hex Jam 5/16-24
33	56015257	1	Decal, Emergency Disconnect
34	56002043	2	Scr, Pan Phil 10-24 x .38
35	56303467	1	Cover

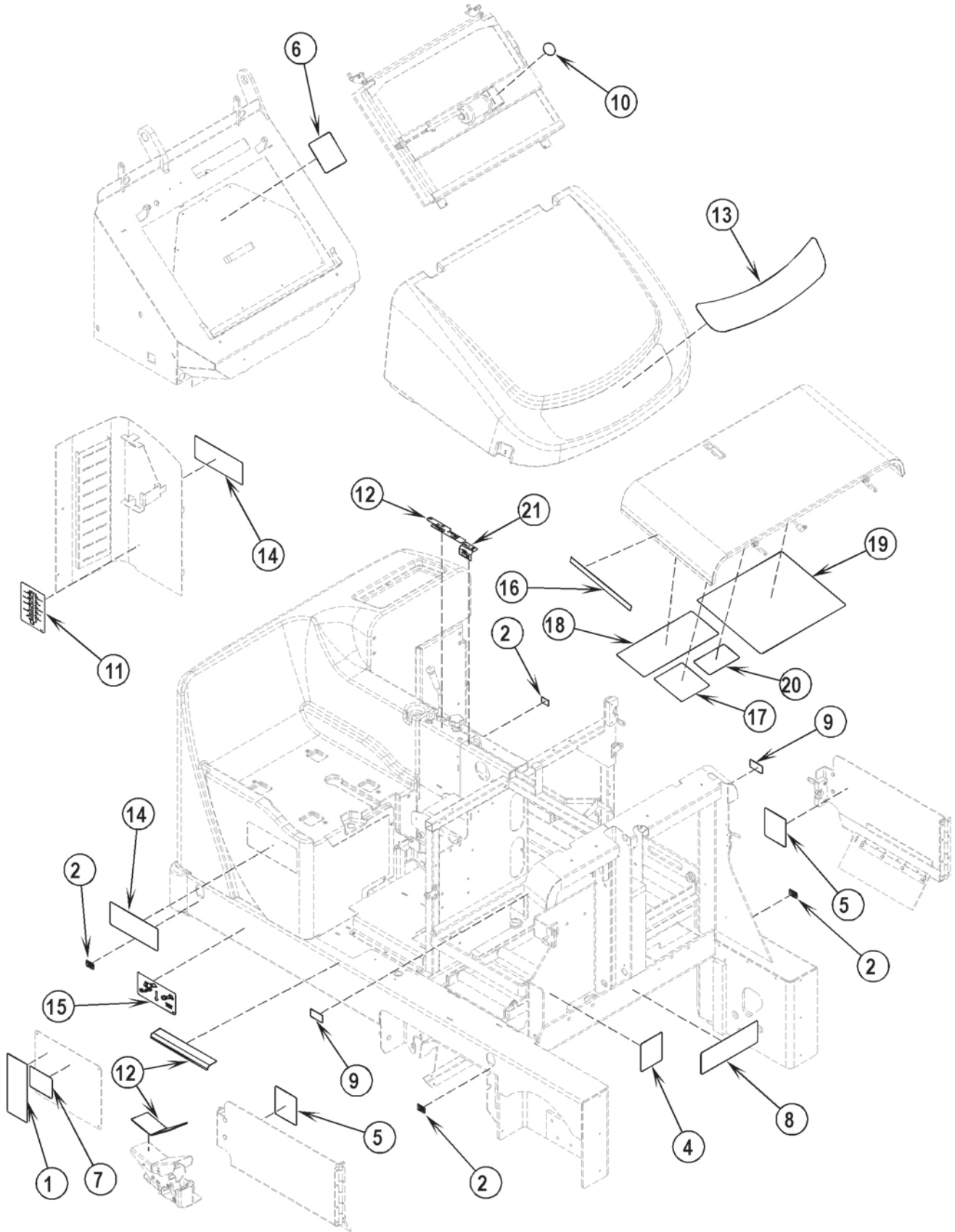


56303363
Seat Mounting
Assembly

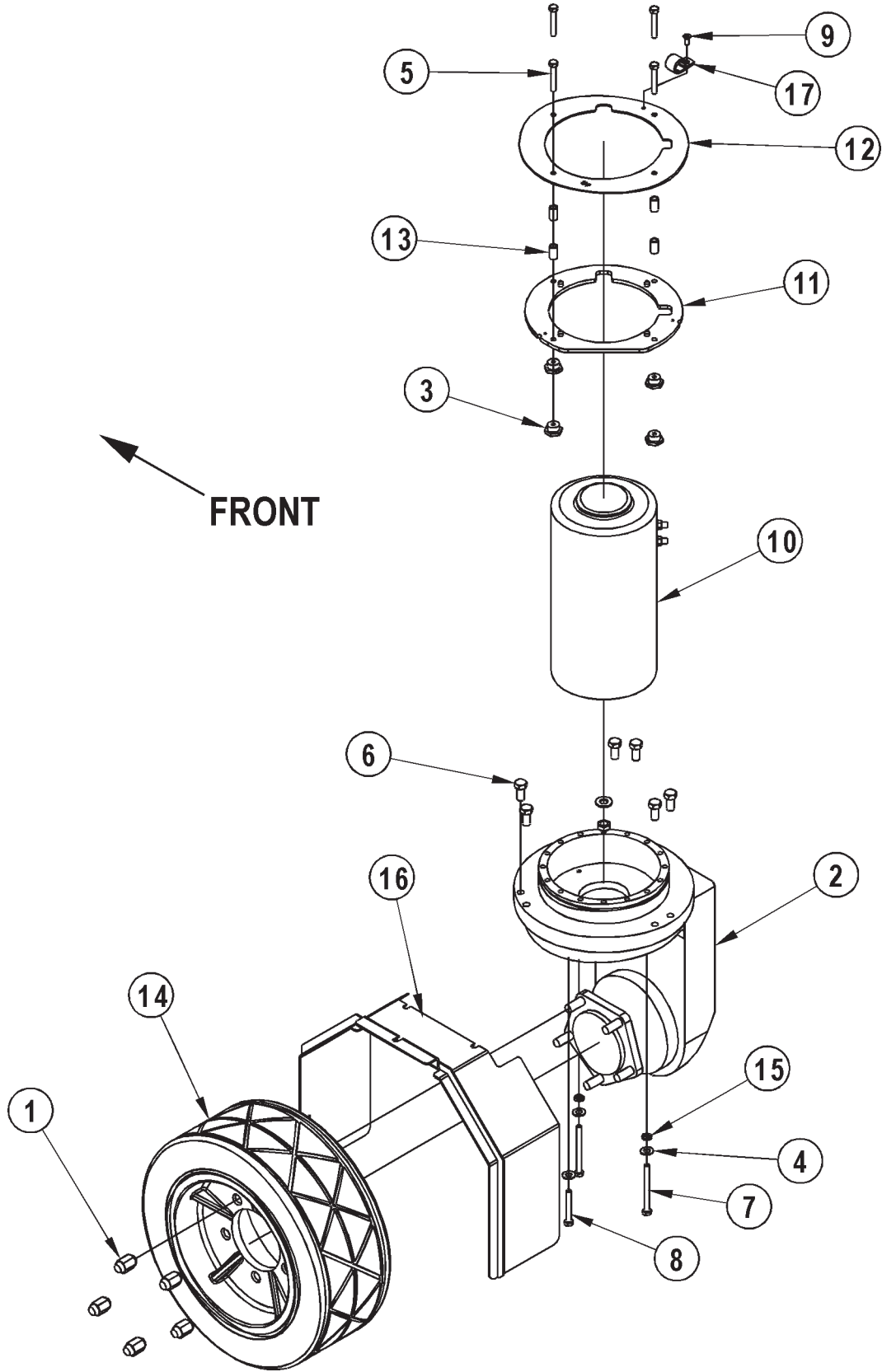
FRONT



Item	Ref. No.	Qty	Description	Item	Ref. No.	Qty	Description
	56303166	1	Disconnect Battery Assembly (items 1-9)		56303363	1	Seat Mounting Assembly (items 50-58)
1	56001874	2	Scr, Hex Hd 1/4-20 x 2.00	50	56002035	4	Scr, Hex Hd 5/16-18 x .62
2	56002997	2	Scr, Pan Phil 1/4-20 x 1.75	51	56002856	2	Nut, Hex Nyl Loc SS 5/16-18
3	56002708	4	Nut, Hex Nyl Loc 1/4-20	52	56002913	2	Scr, Hex Hd SS 5/16-18 x 1.00
4	56478605	1	Knob	53	56002938	4	Wsh, Flt SAE SS 5/16
5	56478660	1	Block	54	56002956	4	Scr, Hex Hd Loc 5/16-18 x .75
6	56303168	1	Mount, Battery Disconnect	55	56009122	4	Wsh, Flt .344 x .938 x .125
7	56303169	2	Tab, Battery Disconnect	56	56001806	4	Nut, Hex Whiz W/Flange Loc 5/16-18
8	56303170	1	Rod, Battery Disconnect	57	56305115	1	Plate, Seat Mount
9	56303218	1	Connector Asm, Main	58	56409021	1	Seat Assembly
	56304465	1	Brake Lever Assembly (items 10-24)				
10	56002684	2	Scr, Hex Hd 3/8-16 x 1.75				
11	56002769	2	Nut, Hex Nyl Loc 3/8-16				
12	56002840	1	Nut, Hex Nyl Loc-Thin 1/4-20				
13	56003207	1	Clevis, Pin .50 x 2.75				
14	56365002	1	Pad, Rubber				
15	56003644	1	Pin, Cotter Hair .120 x .5				
16	56304519	2	Bearing, Fl .625 x .500 x .375				
17	56304554	2	Bearing, Fl .500 x .375 x .313				
18	56304557	1	Pulley, 3.00 Dia.				
19	56304558	1	Bearing, .500 x .375 x .625				
20	56304562	1	Pulley Weldment				
21	56304902	1	Weldment, Brake Lock				
22	56304972	1	Spring, Torsion .095				
23	56305072	1	Spring, Extension .075				
24	56305472	1	Weldment, Brake Lever				
	56303290	1	Pedal Assembly (items 25-49)				
25	56003332	3	Pin, Cot Hair .042 x .188				
26	56328758	1	Bushing				
27	56409378	1	Spacer, Nylon				
28	56409610	1	Link Weldment				
29	56001954	2	Wsh, Flt SAE #10				
30	56002063	3	Wsh, Flt SAE 3/8				
31	56002098	6	Wsh, Flt SAE 1/4				
32	56002689	1	Scr, Hex Hd 1/4-20 x 3.50				
33	56002840	1	Nut, Hex Nyl Loc-Thin 1/4-20				
34	56002768	2	Nut, Hex Nyl Loc 10-24				
35	56003687	2	Scr, Hex Hd 10-24 x 1.25				
36	56003268	1	Ring, Ret Ext Type E Reinf. 0.25 Dia				
37	56003269	3	Ring, Ret Ext Type E Reinf. 0.38 Dia				
38	56479764	1	O-Ring -113 NBR 70				
39	56003669	3	Clevis, Pin .25 x 3.50				
40	56303283	1	Link Weldment				
41	56303284	3	Bearing, Fl .375 x .250 x .188				
42	56303285	1	Bearing, Fl .500 x .375 x .250				
43	56303286	1	Pedal Base Weldment				
44	56303288	1	Pedal Pivot				
45	56303313	1	Rotary Sensor, No Spring				
46	56303318	1	Bushing				
47	56304518	2	Bearing, Fl .500 x .375 x .188				
48	56304777	1	Pedal				
49	56314037	1	Spring, Torsion				

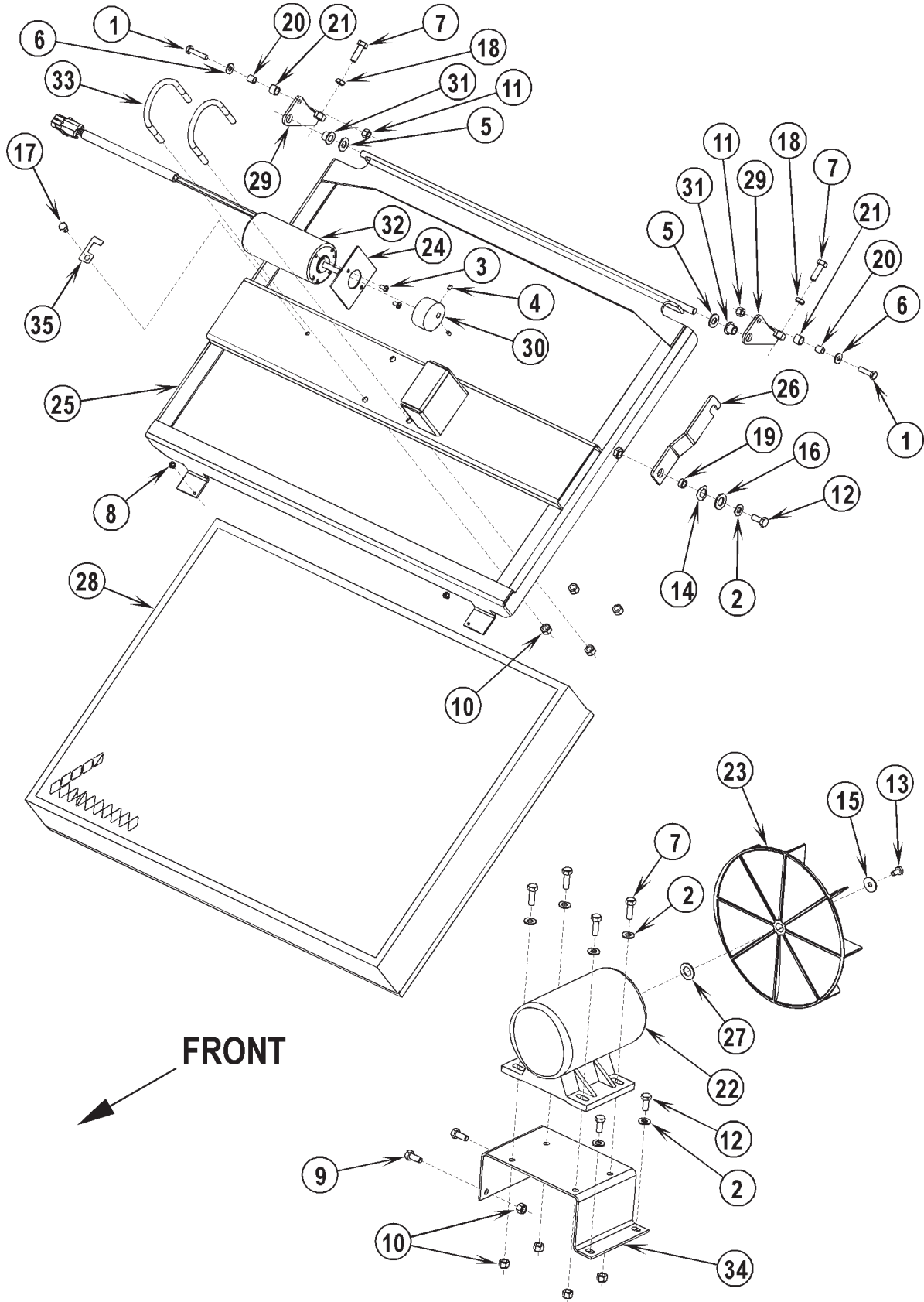


Item	Ref. No.	Qty	Description
1	56014601	1	Decal, Caution
2	56015370	4	Decal, Tie Down
3	56305606	2	Mat, Pedal
4	56015424	1	Warning, Hydraulic
5	56015425	2	Decal, Warning Broom
6	56015426	1	Decal, Warning Fan
7	56015427	1	Decal, Warning Tip Over
8	56015428	1	Decal, Warning Hopper
9	56025496	2	Decal, Caution
10	56030080	1	Decal, Hands Clear
11	56015164	1	Decal, Contactor Location
12	56015185	1	Decal, Main Broom/Solution
13	56015190	1	Decal, Advance
	56015191	1	Decal, Nilfisk
14	56015195	2	Decal, 4800
	56015193	2	Decal, 4300
	56015201	2	Decal, CR 1200
	56015200	2	Decal, CR 1100
15	56015221	1	Decal, Solution Drain
16	56015223	1	Decal, Total Clean (Advance models only)
17	56015232	1	Decal, Hydraulic Schematic
18	56015237	1	Decal, Battery Ladder Diagram Before SN1779197
	56015246	1	Decal, Battery Ladder Diagram After SN1779196
19	56015240	1	Decal, Battery Wiring Diagram Before SN1779197
	56015247	1	Decal, Battery Wiring Diagram After SN1779196
20	56015244	1	Decal, Battery Wiring
21	56015245	1	Decal, Hopper Safety Support



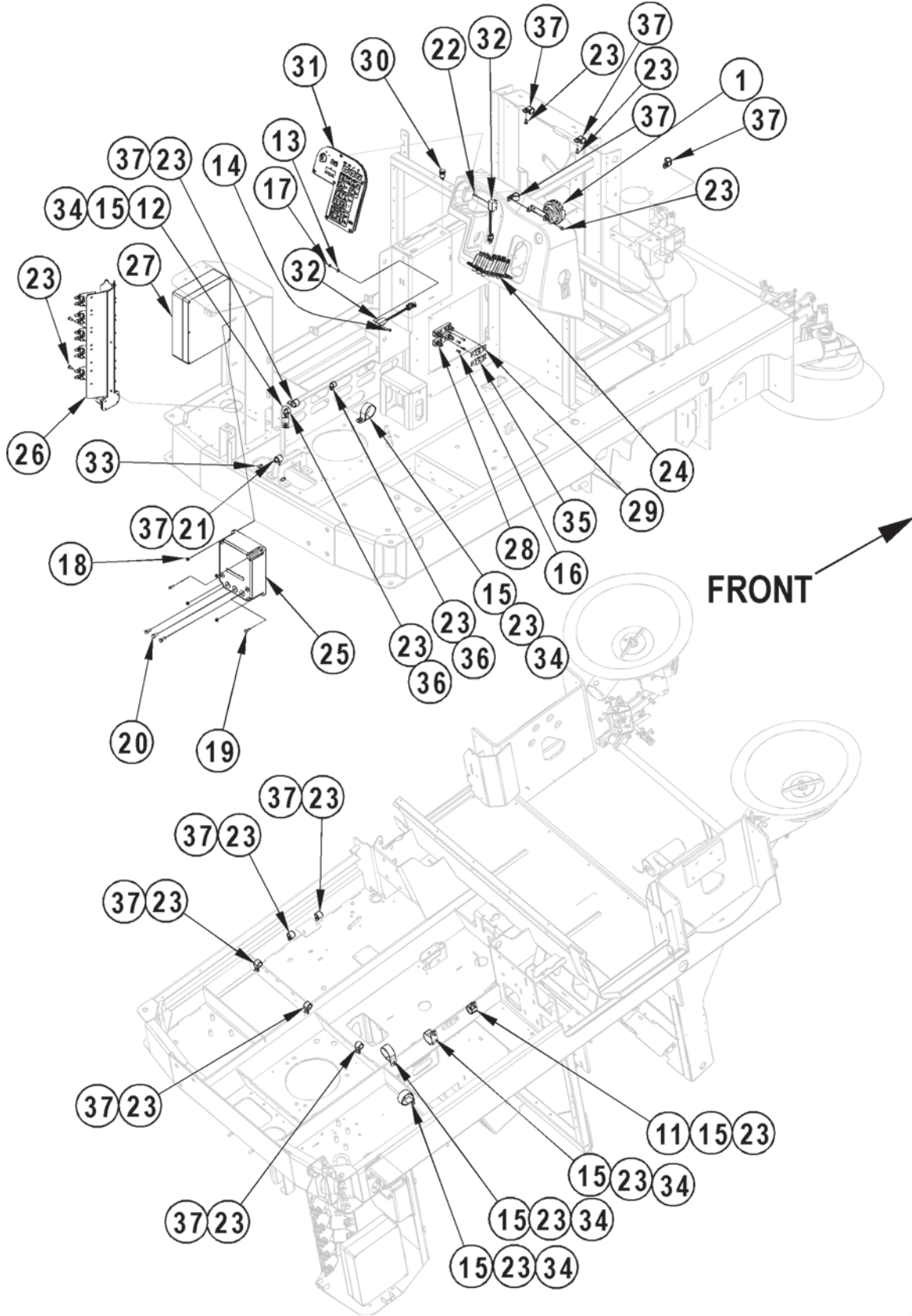
Item	Ref. No.	Qty	Description
1	56003384	5	Nut, Lug
2	56416024	1	Gearbox, Drive Wheel
3	56416296	4	Clamp, Steering
4	56002063	3	Wsh, Flt SAE 3/8
5	56002721	4	Scr, Hex Hd 5/16-18 x 2.00
6	56003382	6	Scr, Hex M12-1.75 x 25mm
7	56003390	2	Scr, Hex M8-1.25 x 90mm
8	56003398	1	Scr, Hex M8-1.25 x 60mm
9	56009137	1	Scr, Flt Phil Thd Form 1/4-20 x .62
10	56303032	1	Wheel Drive Motor Assy
*	56303033	1	Motor, 36VDC, 4 HP
*	56303426	4	Replacement Carbon Brushes
*	56409746	4	Replacement Brush Spring
*	56001879	1	Wsh, Flt SAE 1/2
*	56002868	1	Nut, Hex Nyl Loc Thin 1/2-20
*	56416299	1	O-Ring
11	56303082	1	Steering Plate Weldt
12	56303308	1	Plate, Chain Cover
13	56303309	4	Spacer Bushing
14	56303324	1	Rear Wheel Assy
	56303029	1	Hub, Rear
	56305036	1	Tire, Press-on 16-1/4 x 6
15	56303497	2	Spacer
16	56303502	1	Fender Weldment
17	56496276	1	Clamp, Hose Support
*	56501001	1 .70	Lube, Gear SAE 90 (Gal)

* = Not Shown



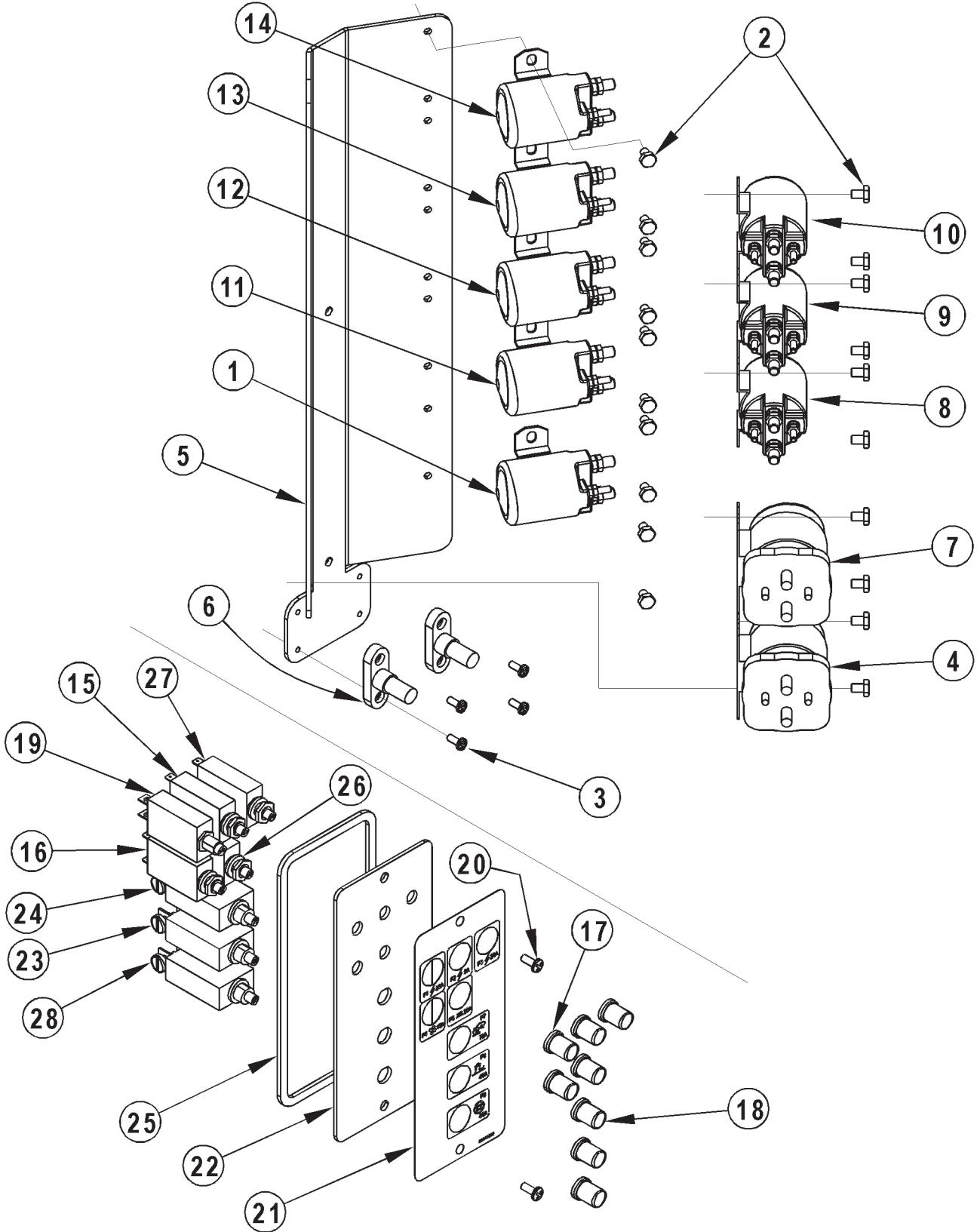
Item	Ref. No.	Qty	Description
1	56002093	2	Scr, Hex Hd 1/4-20 x 1.00
2	56001939	7	Wsh, Flt SAE 5/16
3	56002001	2	Scr, Pan Phil (UNF) 10-32 x .38
4	56002015	2	Scr, Soc Set Loc 10-24 x .25
5	56002063	2	Wsh, Flt SAE 3/8
6	56002098	2	Wsh, Flt SAE 1/4
7	56002221	6	Scr, Hex Hd 5/16-18 x 1.00
8	56002453	2	Scr, Pan Phil 10-24 x .25
9	56002667	2	Scr, Hex Hd 5/16-18 x .75
10	56002701	10	Nut, Hex Nyl Loc 5/16-18
11	56002708	2	Nut, Hex Nyl Loc 1/4-20
12	56002956	3	Scr, Hex Hd Loc 5/16-18 x .75
13	56003039	1	Scr, Hex Hd Loc 1/4-20 x .50
14	56009001	1	Wsh, Bowed .516 x .906 x .008
15	56009002	1	Wsh, Flt .266 x .906 x .060
16	56009003	1	Wsh, Flt .516 x .938 x .075
17	56009019	1	Scr, Hex Thd Form 1/4-20 x .38
18	56009086	2	Nut, Hex Jam 5/16-18
19	56320595	1	Bushing .32 x .50 x .28
20	56321532	2	Bushing .25 x .37 x .40
21	56370754	2	Bearing, Sleeve
22	56416020	1	Motor, .33 HP (M5)
*	56416595	1	Carbon Brush Set
23	56416021	1	Impeller
24	56416280	1	Shield, Shaker
25	56416289	1	Filter Clamp Weldt
26	56416511	1	Latch, Shaker
27	56416613	1	Wsh, Flt .563 x 1.000 x .060
28	56416618	1	Filter Assy
29	56416625	2	Shaker Hinge Weldment
30	56416671	1	Eccentric
31	56416675	2	Bushing, Flange
32	56467307	1	Motor Assy
33	56468329	2	U-Bolt
34	56303058	1	Mount, Fan
35	56409769	1	Clip, Weatherpack Mount

* = Not Shown

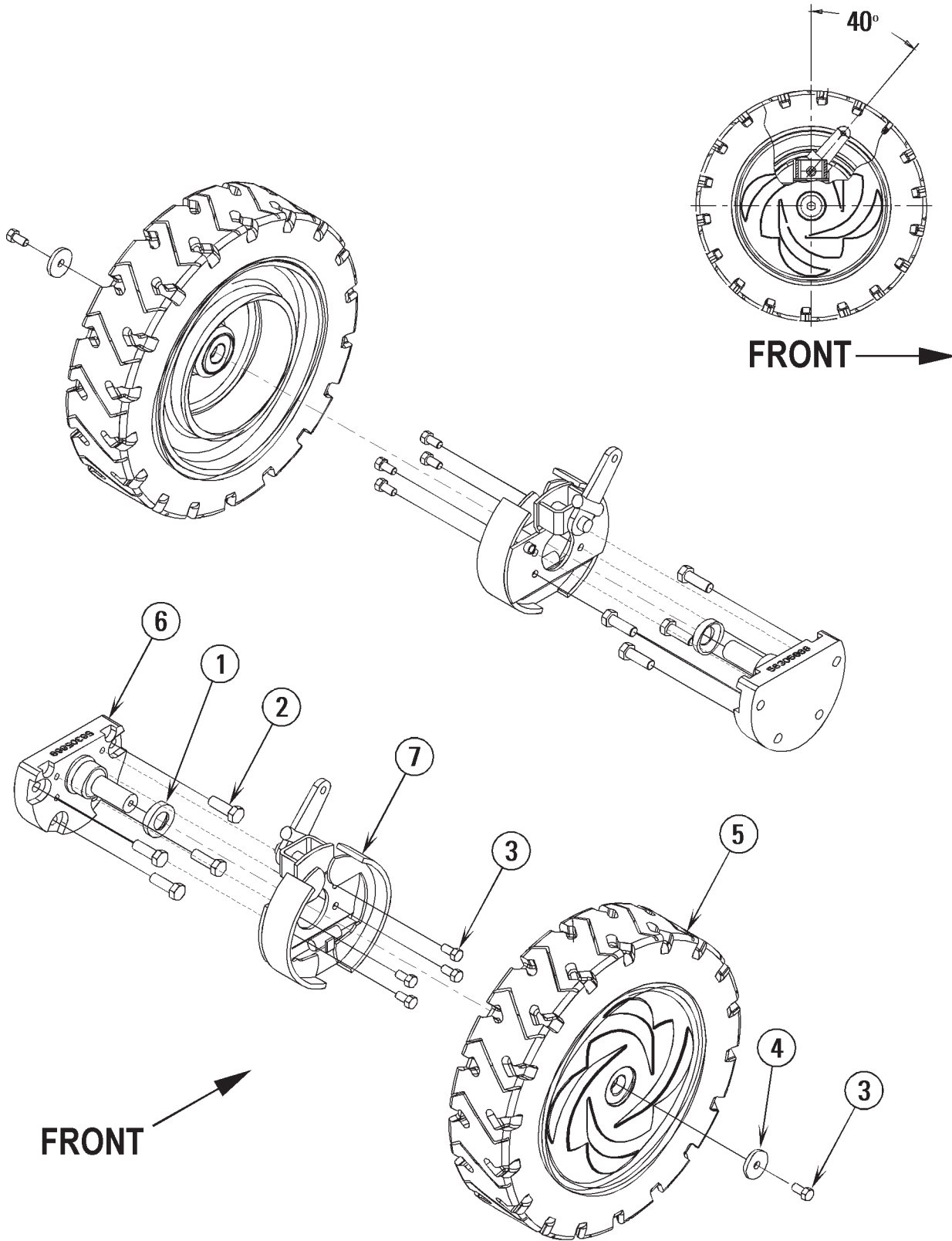


Item	Ref. No.	Qty	Description
1	56482365	1	Horn 36v
2	56303213	1	Harness, Drive Motor (not shown)
3	56303214	1	Harness, Hopper (not shown)
4	56303215	1	Harness, Lower (not shown)
5	56303216	1	Harness, Upper (not shown) Before SN1779197
	56303542	1	Harness, Upper (not shown) After SN1779196
6	56303217	1	Cable Asm, Red 3/0-2 (not shown)
7	56303219	1	Cable Asm, Blk 3/0-2 (not shown)
8	56303251	1	Cable Asm, Red 1-1 (not shown)
9	56303252	1	Cable Asm, Red 1-2 (not shown)
10	56303253	1	Cable Asm, Blk 1-2 (not shown)
11	56409463	1	Clamp, 1.25 Hose Support
12	56001854	1	Scr, Hex Hd 1/4-20 x .50
13	56001954	1	Wsh, Flt SAE #10
14	56001993	1	Scr, Pan Phil 10-24x.50
15	56002098	6	Wsh, Flt SAE 1/4
16	56002099	4	Scr, Flt Phil 10-24x.62
17	56002832	1	Nut, Hex Nyl Loc-Thin 10-24
18	56002840	4	Nut, Hex Nyl Loc-Thin 1/4-20
19	56003174	2	Scr Hex Thd To Hd M6-1.0 x 16mm
20	56003435	3	Scr, Hex Hd SS 8-1.25 x 20mm
21	56009018	1	Scr, Hex Thd Form 1/4-20 x .75
22	56009029	1	Scr, Pan Phil Thd Form 10-24 x .50
23	56009033	18	Scr, Hex Thd Form 1/4-20 x .50
24	56303176	1	Circuit Breaker Assembly
25	56303197	1	Controller, Electric Drive
26	56303200	1	Electric Panel Assy
27	56303201	1	Control Box Assy Before SN1779197
	56303543	1	Control Box Assy After SN1779196
28	56303295	2	Fuse Block
29	56303297	1	Fuse, 400 Amp
30	56303350	1	Light, Red Led Indicator
31	56303374	1	Gauge Panel Assembly Before SN1779197
	56303552	1	Gauge Panel Assembly After SN1779196
*	56303373	1	Panel Assy
*	56303346	1	Membrane Switch
*	56303553	1	Key Switch Assy TSBUS2004-873
*	56009206	6	Scr, Truss Phil-Blk 10-24 x .50
32	56305053	2	Sensor, Proximity
33	56305237	2	Bulb, Light
34	56305492	5	P-Clamp
35	56410044	1	Fuse, 250 Amp
36	56486112	2	Clamp, P
37	56496276	11	Clamp, Hose Support
*	56303555	1	Connector Assembly (Nilfisk models only)

* = Not Shown



Item	Ref. No.	Qty	Description
	56303200	1	Electric Panel Assembly (items 1-14)
1	56395450	1	Contactactor 36V (K10 Auxiliary)
2	56009019	20	Scr, Hex Thd Form 1/4-20 x .38
3	56009029	4	Scr, Pan Phil Thd Form 10-24 x .50
4	56303198	1	Contactactor 36V, Type 4 (K5 Drive)
5	56303199	1	Panel, Electric
6	56303298	2	Stud Type Junction Block
7	56303198	1	Contactactor 36V, Type 4 (K4 Main Broom)
8	56395450	1	Contactactor 36V (K3 Right Brush)
9	56395450	1	Contactactor 36V (K2 Center Brush)
10	56395450	1	Contactactor 36V (K1 Left Brush)
11	56395450	1	Contactactor 36V (K9 Steering)
12	56395450	1	Contactactor 36V (K8 Side Brooms)
13	56395450	1	Contactactor 36V (K7 Vacuum)
14	56395450	1	Contactactor 36V (K6 Dust Control)
	56303176	1	Circuit Breaker Assembly (items 15-28)
15	56387328	1	Circuit Breaker, 5 Amp (F2 Auxiliary)
16	56454538	1	Circuit Breaker, 15 Amp (F4 Dust Control)
17	56459367	5	Boot, Reset Button
18	56459368	3	Boot, Reset Button
19	56469788	1	Circuit Breaker 25 Amp (F1 Auxiliary)
20	56001993	2	Scr, Pan Phil 10-24 x .50
21	56015255	1	Decal, Circuit Breaker
22	56303175	1	Plate, Circuit Breaker Mount
23	56303299	1	Circuit Breaker, 40 Amp (F8 Vacuum Motors)
24	56303301	1	Circuit Breaker, 70 Amp (F7 Hydraulic Pump)
25	56305232	1	Gasket, RS Strip
26	56395454	1	Circuit Breaker, 20 Amp (F5 Side Brooms)
27	56395454	1	Circuit Breaker, 20 Amp (F3 Auxiliary)
28	56303299	1	Circuit Breaker, 40 Amp (F9 Power Steering)



04-3

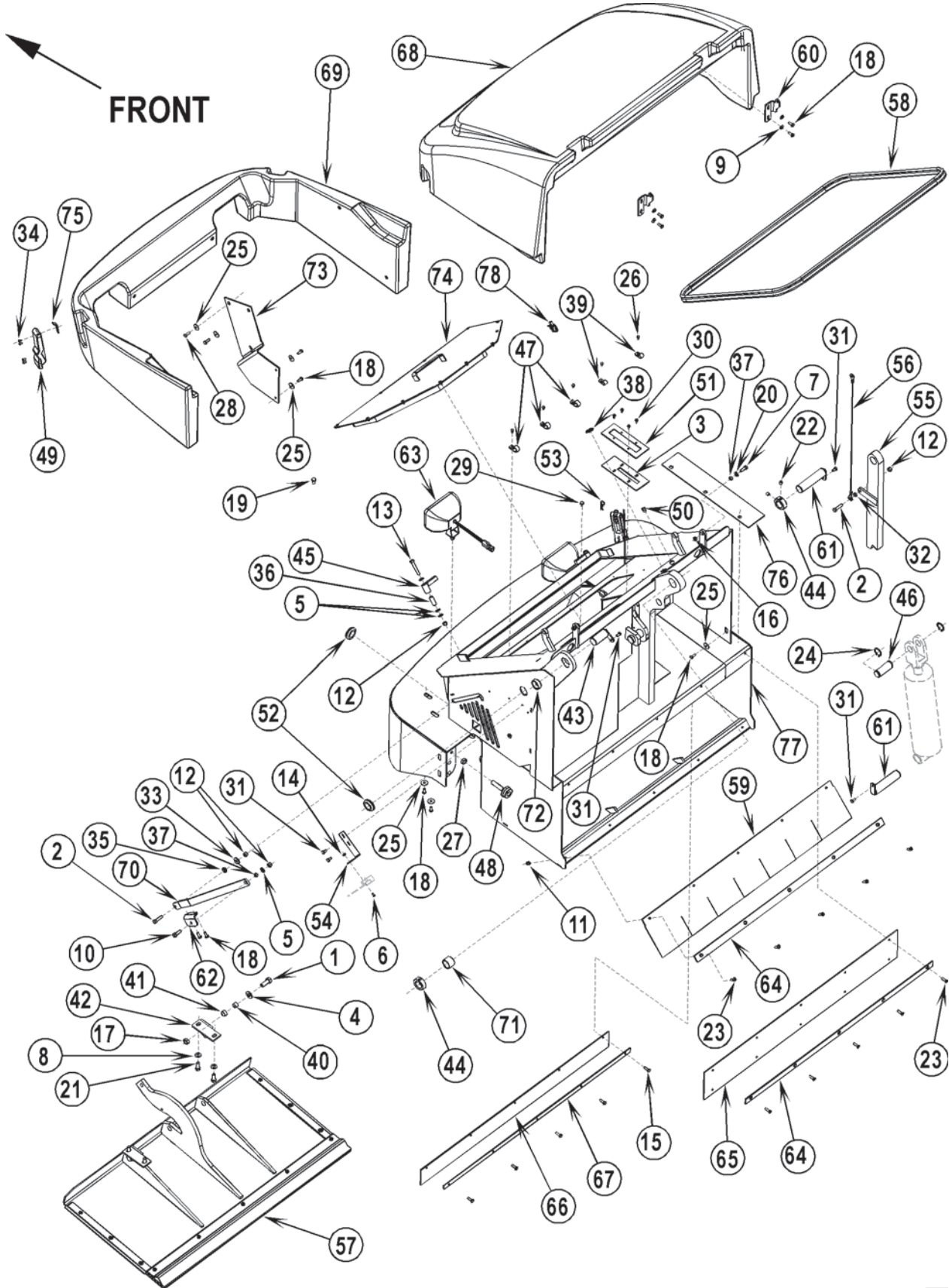
FRONT WHEEL SYSTEM**BOOK E**

04-4

Captor™ 4300B, 4800B / CR 1100B, CR 1200B**E****15.3.1****21**

Item	Ref. No.	Qty	Description
1	56305742	2	Spindle Spacer
2	56002954	8	Scr, Hex Hd Loc 1/2-13 x 1.50
3	56003079	10	Scr, Hex Hd Loc 3/8-16 x .75
4	56367117	2	Wsh, Flt .406 x 1.5 x .1875
5	56304020	2	Front Wheel Assy
*	56479430	2	Bearing, Ball (2 per wheel assy)
*	56304024	1	Tire, Front (1 per wheel assy)
*	56304021	1	Hub, Front (1 per wheel assy)
6	56305927	2	Machining, Front Spindle
7	56410012	2	Brake Assy
*	56305600	A/R	Brake Shoe (2 required per Brake Assy)

* = Not Shown

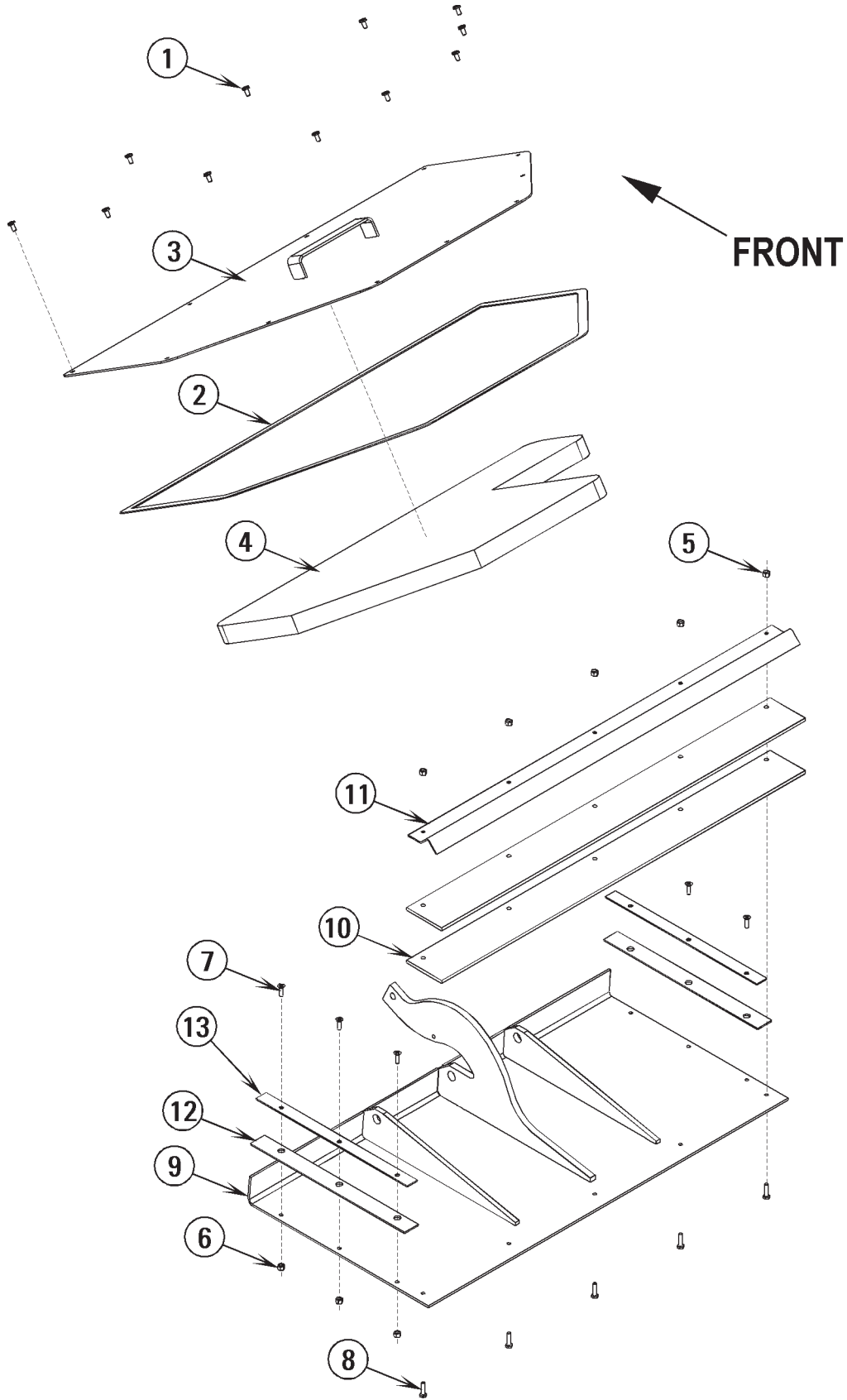


Item	Ref. No.	Qty	Description	Item	Ref. No.	Qty	Description
1	56001831	2	Scr, Hex Hd 1/2-13 x 1.25	41	56370878	2	Bearing, Sleeve
2	56001834	2	Scr, Hex Hd 5/16-18 x 1.25	42	56416253	2	Hinge Weldment
3	56419264	1	Boot, Hopper	43	56416308	2	Left Hinge Pin Weldment
4	56001879	2	Wsh, Flt SAE 1/2	44	56416498	2	Collar, Hopper Hinge
5	56001939	7	Wsh, Flt SAE 5/16	45	56416674	2	Filter Clamp Weldment
6	56001818	1	Scr, Pan Phil 8-32 x .38	46	56418625	1	Pin, Cylinder Short
7	56002037	2	Scr, Hex Hd 5/16-18 x .88	47	56442003	3	Clamp, P
8	56002063	4	Wsh, Flt SAE 3/8	48	56449221	2	Bumper, 1.43 Dia.
9	56002098	4	Wsh, Flt SAE 1/4	49	56462746	2	Latch Assembly
10	56002221	1	Scr, Hex Hd 5/16-18 x 1.00	50	56481546	1	Plug, Hex Pipe
11	56002491	15	Nut, Hex Nyl Loc SS 1/4-20	51	56419265	1	Plate, Boot
12	56002701	5	Nut, Hex Nyl Loc 5/16-18	52	56486116	3	Grommet
13	56002721	2	Scr, Hex Hd 5/16-18 x 2.00	53	56003120	1	Pin, Cotter Hair .0915 x .375
14	56002865	1	Nut, Hex Nyl Loc-Thin 8-32	54	56304416	1	Bracket, Magnetic Switch
15	56002807	5	Scr, Hex Hd SS 1/4-20 x .75	55	56304526	1	Prop Rod Weldment
16	56002826	2	Nut, Hex Nyl Loc-Thin 5/16-18	56	56304548	1	Cable Assembly
17	56002843	2	Nut, Hex Nyl Loc-Thin 1/2-13	57	56304596	1	Dump Door Assembly
18	56002922	14	Scr, Hex Hd Loc 1/4-20 x .62	58	56304617	1	Gasket
19	56002929	1	Scr, Hex Hd Loc 5/16-18 x .62 Note 1	59	56304665	1	Skirt, Hopper
20	56002938	2	Wsh, Flt SAE SS 5/16	**	56305593	1	Skirt, Hopper Heavy (3/16" thick)
21	56002947	4	Scr, Hex Hd Loc 3/8-16 x 1.00	60	56304677	2	Hinge Plate
22	56003081	4	Scr, Soc Set Loc 3/8-16 x .38	61	56304683	2	Pin Hopper Hinge Weldment
23	56003086	10	Scr, Flt Phil SS 1/4-20 x .88	62	56304685	1	Bracket, Prop
24	56003258	2	Ring, Ret Ext	63	56304768	2	Lamp, 12V
25	56009002	10	Wsh, Flt .266 x .906 x .060	64	56304807	2	Strap, Hopper
26	56009012	5	Scr, Hex Thd Form 10-24 x .38	65	56304810	1	Seal, Horizontal Note 2
27	56009016	2	Nut, Hex Jam 1/2-13	66	56304815	1	Blade
28	56009018	2	Scr, Hex Thd Form 1/4-20 x .75	67	56304816	1	Strap
29	56009019	1	Scr, Hex Thd Form 1/4-20 x .38	68	56304832	1	Cover, Hopper
30	56009029	4	Scr, Pan Phil Thd Form 10-24 x .50	69	56304833	1	Cover, Hopper Bottom
31	56009033	5	Scr, Hex Thd Form 1/4-20 x .50	70	56304863	1	Prop Rod
32	56009086	1	Nut, Hex Jam 5/16-18	71	56304896	1	Bearing, Sleeve 1.125 x 1.375 x 1.00
33	56009122	1	Wsh, Flt .344 x .938 x .125	72	56304897	1	Bearing, Sleeve 1.125 x 1.375 x .500
34	56009139	8	Scr, Pan Phil Loc 10-24 x .38	73	56305183	1	Bracket, Lower Hopper Cover
35	56244937	1	Bushing, Flange .328	74	56305190	1	Access Panel Assembly
36	56300241	2	Bushing .33 x .5 x 1.3	75	56305193	2	Hook, Latch
37	56320595	3	Bushing .32 x .50 x .28	76	56305196	1	Blade, Dust Shield
38	56009095	1	Nut, Conduit Lock 1/2-14	77	56305465	1	Hopper Weldment
39	56442011	2	Clamp, P	78	56462361	1	Conn, 2 Way Female
40	56360627	2	Bushing	*	56486112	2	Clamp, Cable

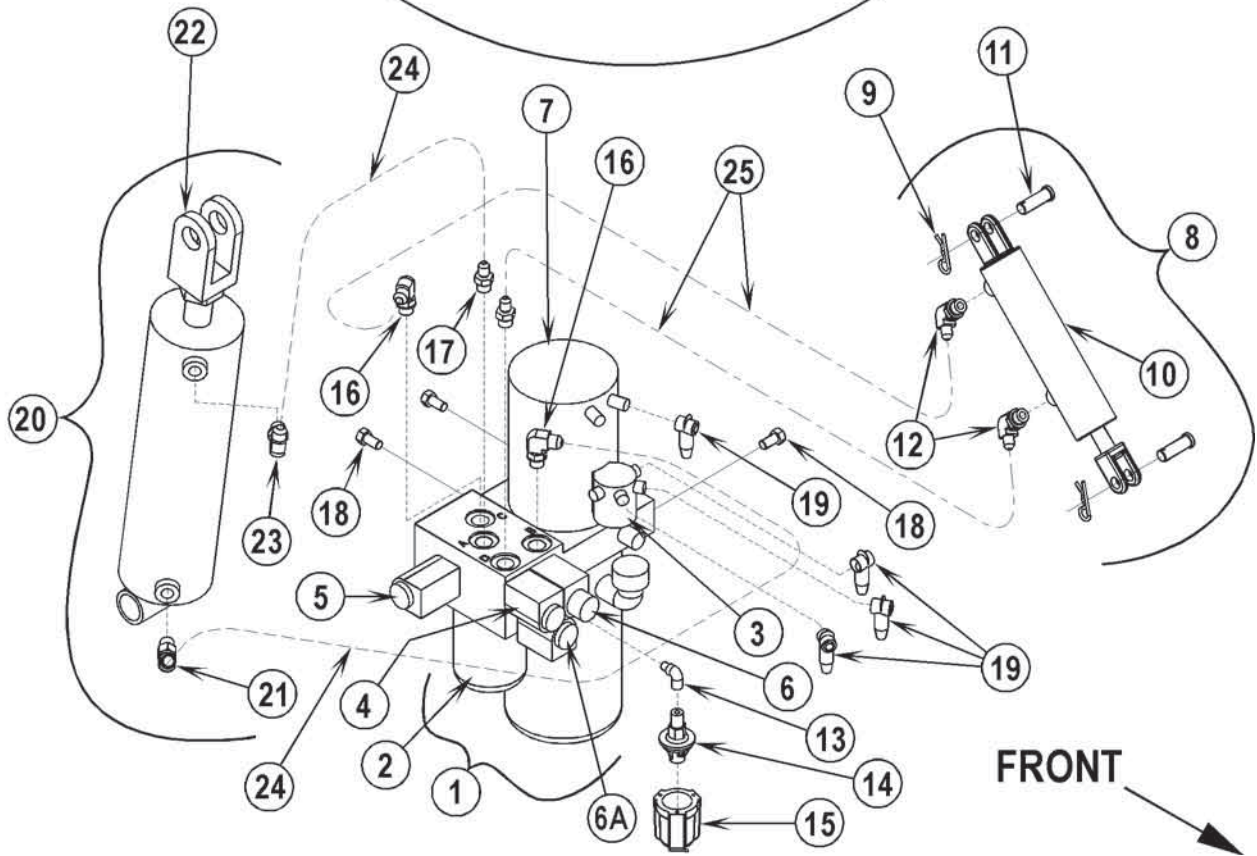
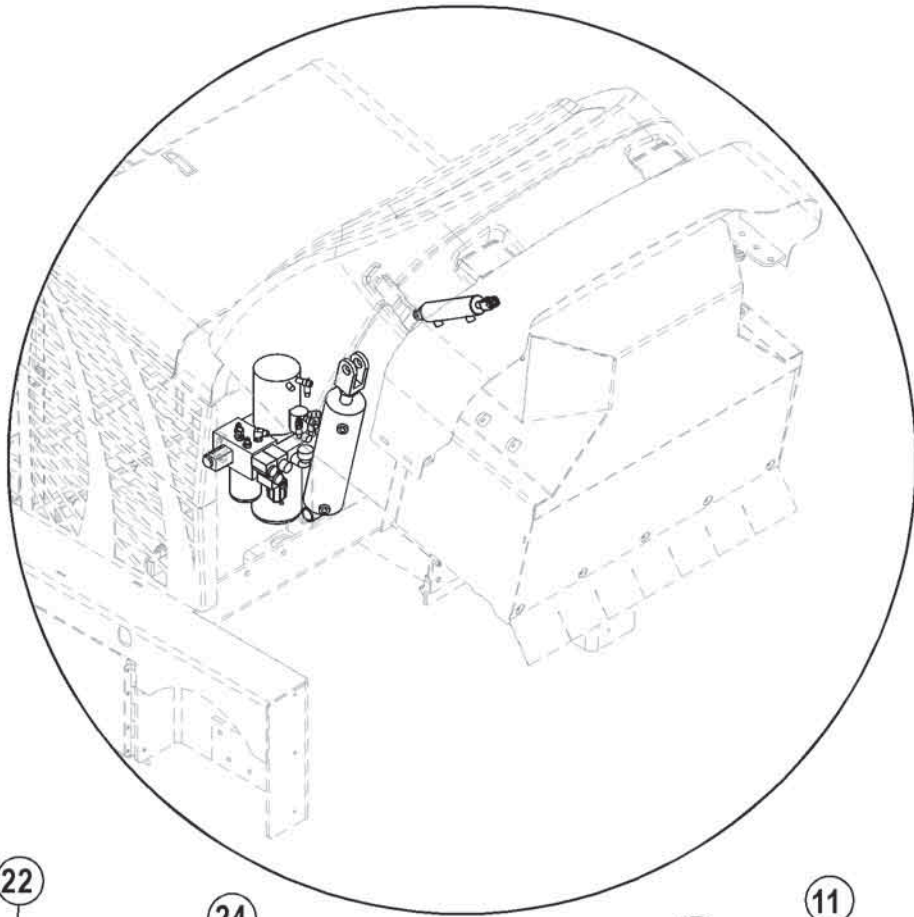
* = Not Shown

** = Optional

Note 1: Hex head screw for right headlight.**Note 2:** Fold 180° around the top of strap.

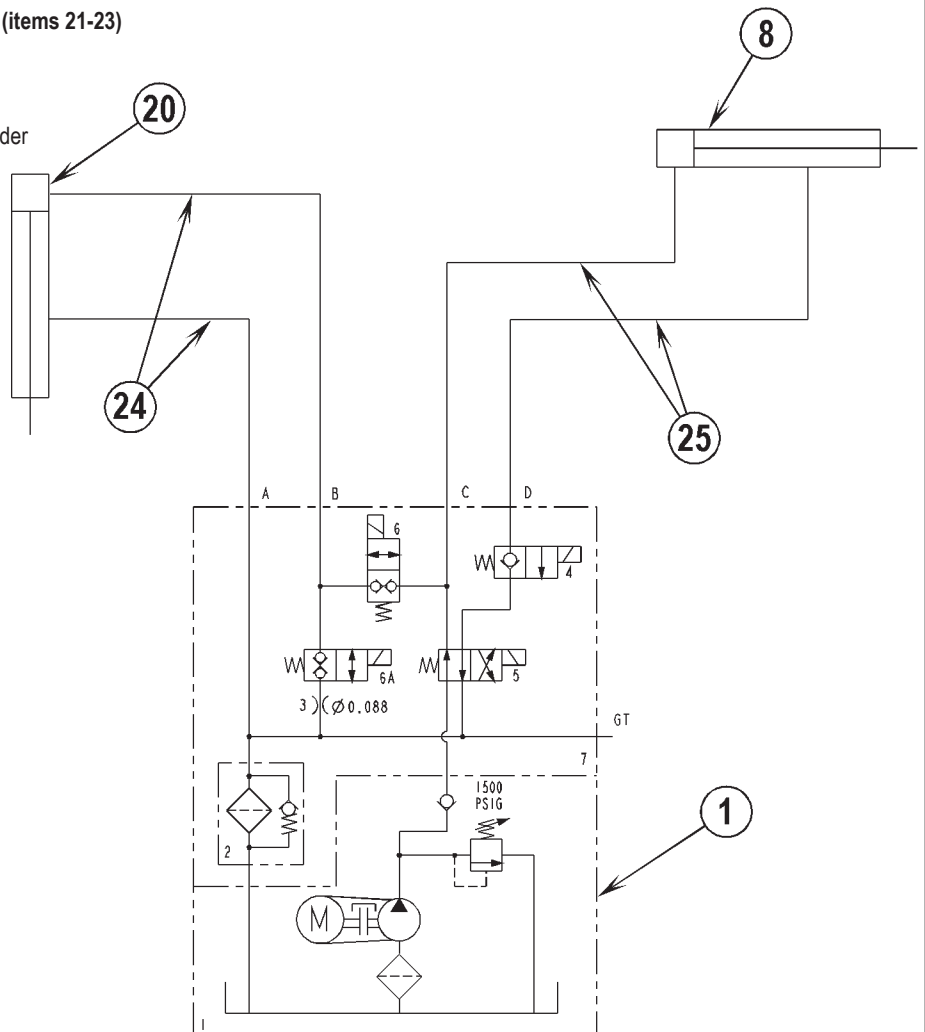


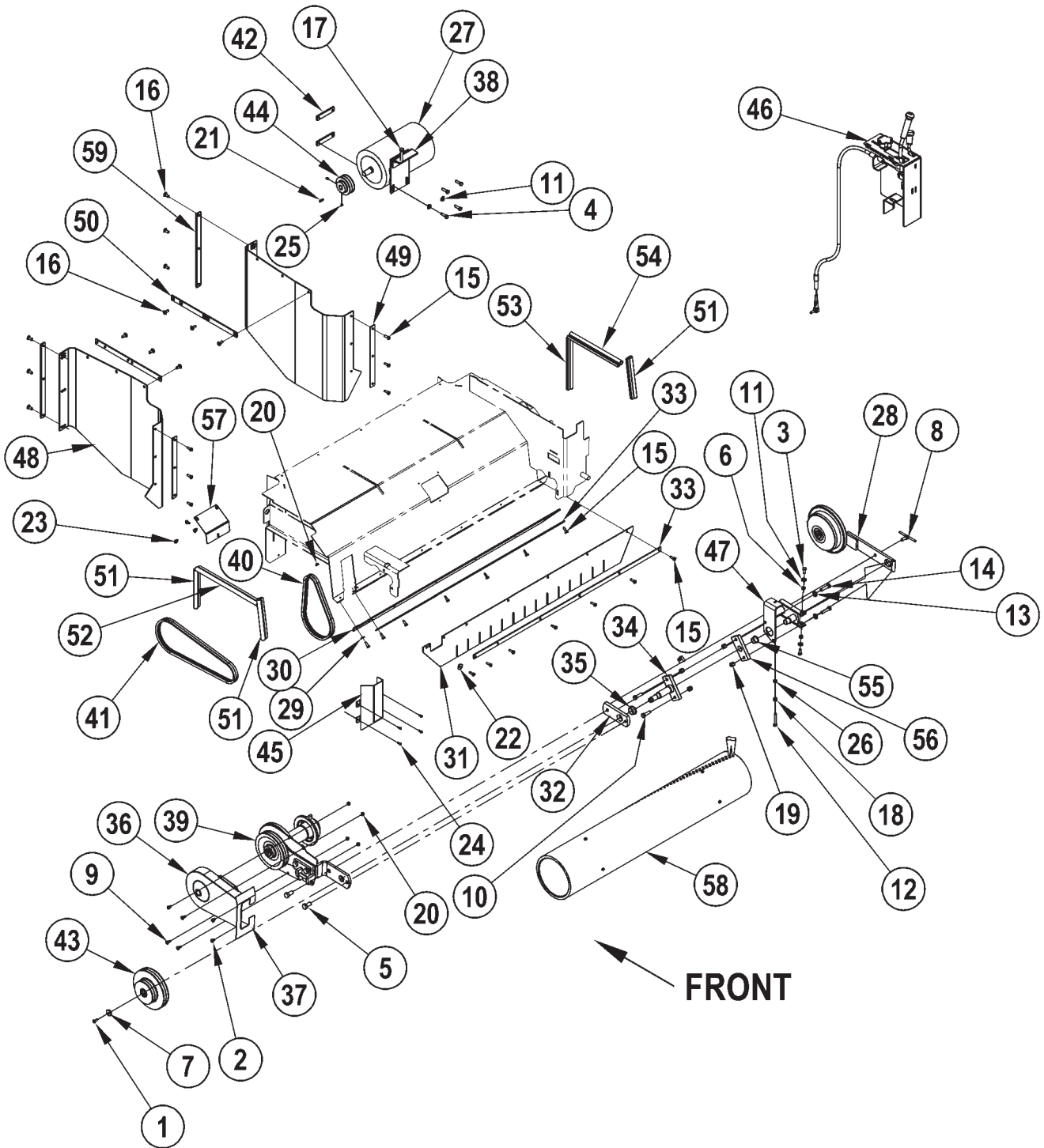
Item	Ref. No.	Qty	Description
	56305190	1	Access Panel Assy (items 1-4)
1	56009030	11	Scr, Pan Phil Thd Form 10-24x.38
2	56200754	6.5	Gasket, Strip-Raw Stock (qty in feet)
3	56304401	1	Access Panel Weldt
4	56304729	1	Foam, Access Panel
	56304596	1	Dump Door Assy (items 5-13)
5	56002850	5	Nut, Hex Nyl Loc-Thin SS 1/4-20
6	56002491	6	Nut, Hex Nyl Loc SS 1/4-20
7	56003086	6	Scr, Flt Phil SS 1/4-20 x .88
8	56002883	5	Scr, Hex Hd SS 1/4-20 x 1.00
9	56304597	1	Dump Door Weld't
10	56304808	2	Blade, Hopper Door
11	56304809	1	Angle
12	56419440	2	Wiper, Dump Door
13	56419441	2	Strap



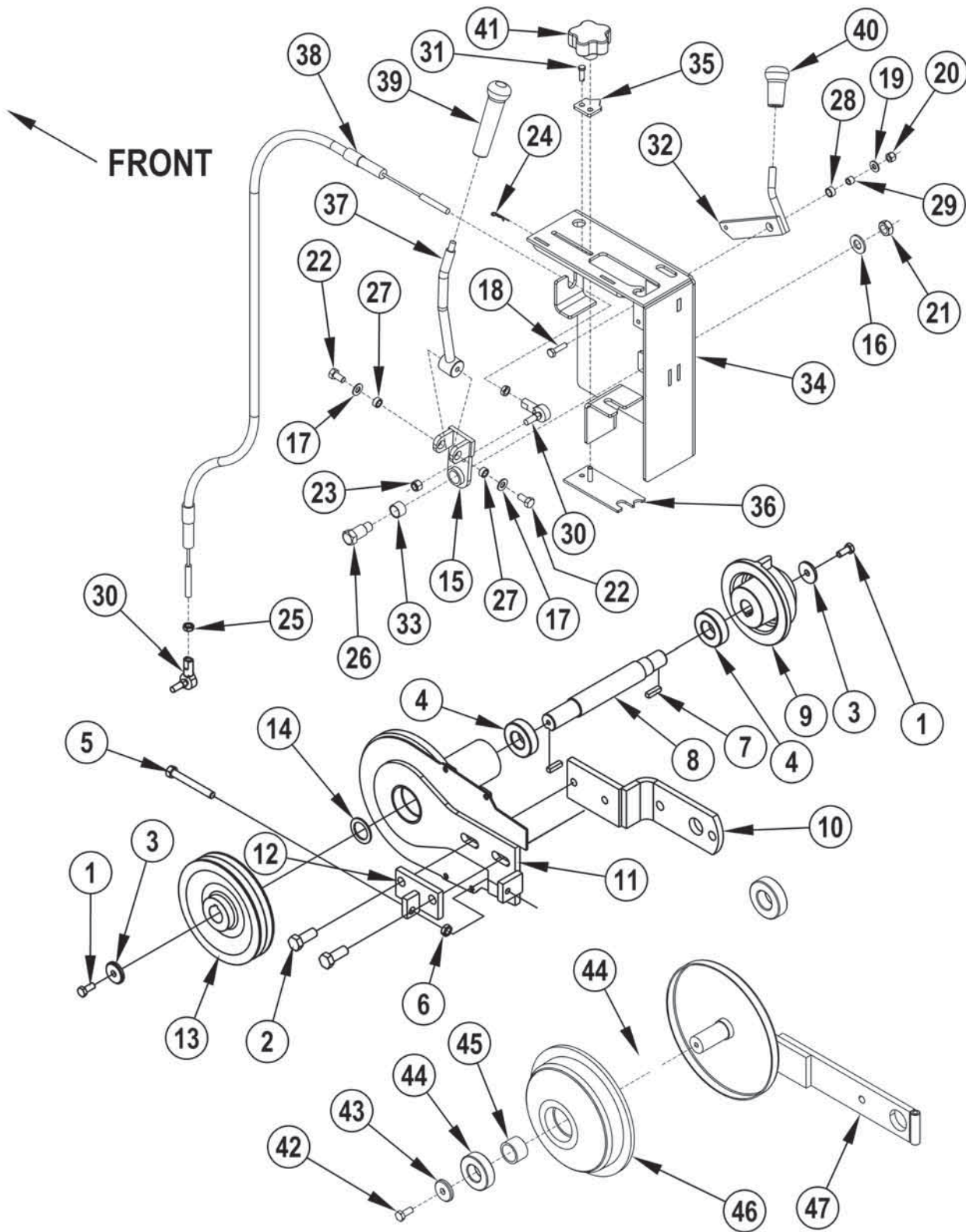
Item	Ref. No.	Qty	Description
1	56303040	1	Hydraulic Power Unit (includes replacement items 2-7)
2	56303432	1	Replacement Hydraulic Filter Element
3	56303441	1	Contactant (K11)
*	56303433	1	Brush and Spring Kit
4	56303435	1	Solenoid Valve Dump Door Open
5	56303436	1	Solenoid Valve Dump Door Close
6	56303437	1	Solenoid Valve Hopper Raise
6A	56303437	1	Solenoid Valve Hopper Lower
*	56303434	4	Coil, 36V DC (1 per each Solenoid Valve above)
7	56303440	1	Motor Assembly (M10)
8	56416121	1	Hopper Door Cylinder Assy (items 9-12)
9	56002529	2	Pin, Cotter 1/8 x 1
10	56416202	1	Cylinder, Hydraulic
11	56486733	2	Pin
12	56900110	2	Elbow, 90 O-Ring
13	56111309	1	Elbow, 90 Street
14	56418994	1	Switch, N.O. Pressure
15	56419241	1	Dust Boot
16	56900103	2	Elbow, 90 O-Ring
17	56900011	2	Connector, O-Ring
18	56003079	3	Scr, Hex Hd Loc 3/8-16 x .75
19	56409538	4	Insulator, Terminal
*	56463427	1	Sleeve, Nylon
20	56303274	1	Cylinder, Hopper Lift Assy (items 21-23)
21	56900153	1	Elbow, 45 O-Ring W/Nut
22	56303103	1	Cylinder, Hopper Lift
23	56900103	1	Elbow, 90 O-Ring
24	56303276	2	Hose Assy – Hopper Cylinder
25	56303277	2	Hose Assy – Hopper Door

* = Not Shown

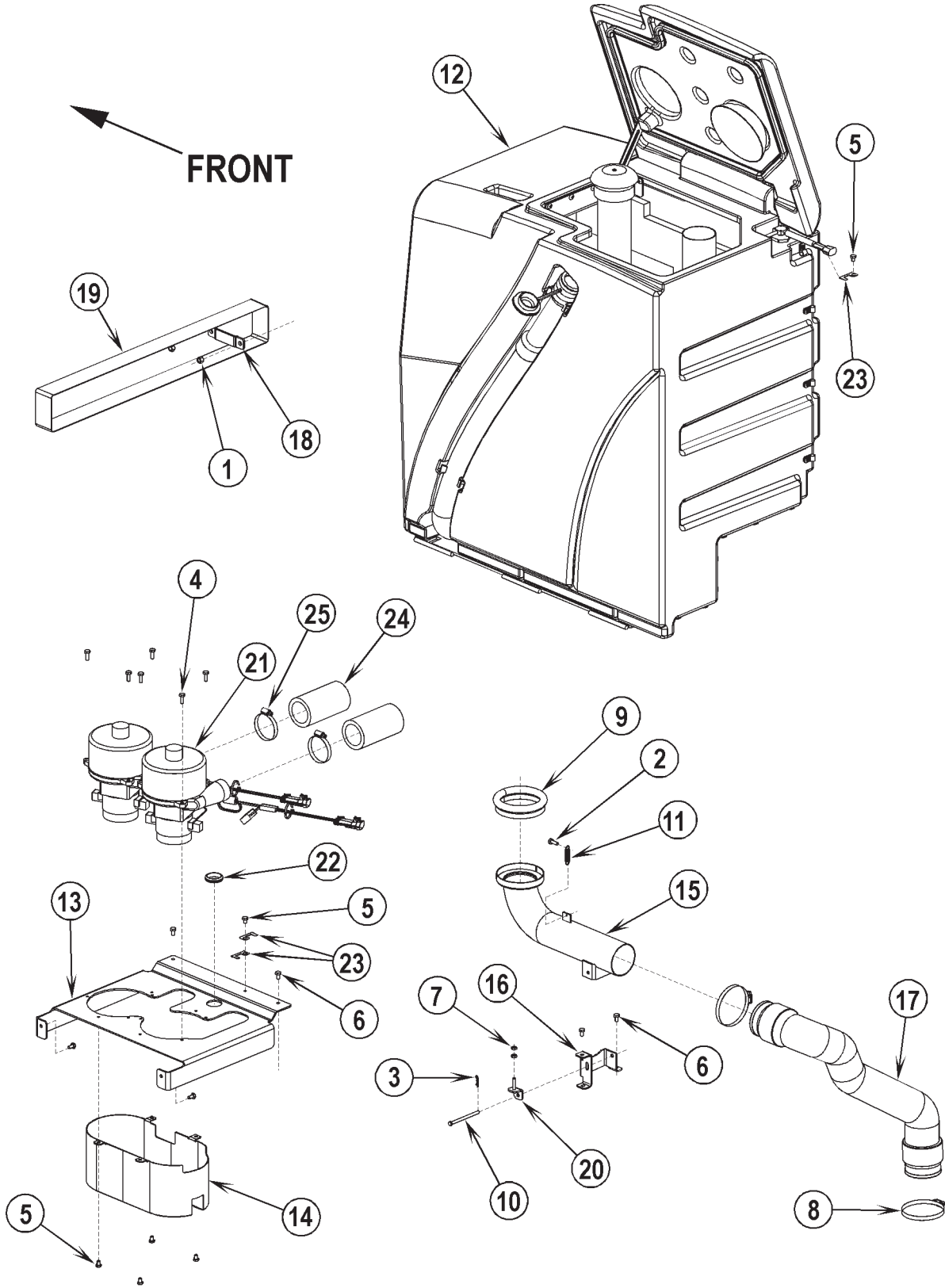




Item	Ref. No.	Qty	Description	Item	Ref. No.	Qty	Description
1	56002922	1	Scr, Hex Hd Loc 1/4-20 x .62	46	56304753	1	Lift Asm, Broom
2	56002933	2	Scr, Hex Hd Loc 1/4-20 x .38	47	56304919	1	Broom Adjuster
3	56002956	2	Scr, Hex Hd Loc 5/16-18 x .75	48	56304924	2	Skirt, Broom Housing
4	56003073	4	Scr, Hex Hd Loc 5/16-18 x 1.00	49	56304925	2	Strap, Vertical
5	56003083	2	Scr, Hex Hd Loc 1/2-13 x 1.00	50	56305102	4	Strap (qty of 2 after SN 1789305)
6	56320595	2	Bushing .32 x .50 x .28	51	56305198	3	Gasket (7.25")
7	56388766	1	Washer, Balance-12.5 Gr.	52	56305199	1	Gasket (13.62")
8	56416382	1	Broom Arm Nut Weldt	53	56305200	1	Gasket (10.00")
9	56009069	4	Scr, Pan Phil Loc 1/4-20 x .50	54	56305201	1	Gasket
10	56001858	2	Scr, Hex Hd 3/8-16 x 1.25	55	56305255	1	Bearing, Flange
11	56001939	4	Wsh, Flt SAE 5/16	56	56305276	1	Pillow Block
12	56002013	1	Scr, Hex Thd To Hd 5/16-18 x 2.00	57	56305819	1	Cover, Access
13	56002063	2	Wsh, Flt SAE 3/8	58	56505955	1	Main Broom, Proex-Wire
14	56002095	2	Scr, Hex Hd 3/8-16 x 1.50	**	56505951	1	Main Broom, Poly/Wire, 8 Double Rows
15	56002155	19	Scr, Hex Hd 1/4-20 x .75	**	56505952	1	Main Broom, Proex, 12 Double Rows
16	56002395	12	Scr, Flt Phil 5/16-18 x .75	**	56505953	1	Main Broom, Nylon, 8 Double Rows
17	56002470	1	Scr, Hex Thd To Hd 3/8-16 x 2.00	**	56505954	1	Main Broom, Proex, 8 Double Rows
18	56002701	1	Nut, Hex Nyl Loc 5/16-18	**	56505956	1	Main Broom, Prolene, 8 Double Rows
19	56002769	4	Nut, Hex Nyl Loc 3/8-16	59	56305960	2	Strap (after SN 1789305)
20	56002840	17	Nut, Hex Nyl Loc-Thin 1/4-20				
21	56003238	1	Key, Sq .19 x .78				* = Not Shown
22	56009002	1	Wsh, Flt .266 x .906 x .060				** = Optional
23	56009033	3	Scr, Hex Thd Form 1/4-20 x .50				
24	56009039	4	Scr, Hex Thd Form 10-24 x .50				
25	56009076	2	Scr, Soc Set Loc				
26	56009086	1	Nut, Hex Jam 5/16-18				
27	56303039	1	Motor, 2.0 HP				
*	56303419	4	Carbon Brushes				
*	56303444	4	Brush Spring				
28	56303128	1	Right Broom Arm Assy				
29	56002098	1	Wsh, Flt SAE 1/4				
30	56303148	1	Skirt, Rear				
31	56303149	1	Skirt, Rear				
32	56303273	1	Main Broom Hanger Weldt				
33	56303280	2	Strap, Rear				
34	56303366	1	Shaft Weldment				
35	56303367	1	Bearing, FL 1.125 X 1.000 X .500				
36	56303523	1	Belt Guard Weldt				
37	56303496	1	Shield				
38	56303506	1	Bracket, Motor Adjuster				
39	56303507	1	Drive Lug Assy				
40	56303519	1	Belt, V 3VX280 (Matched Set of 2)				
41	56303520	1	Belt, V 3VX400 (Matched Set of 2)				
42	56303522	2	Nut Plate				
43	56303528	1	Sheave Assy				
44	56303529	1	Sheave, 3v 2.75				
45	56303532	1	Guard, Belt Rear				

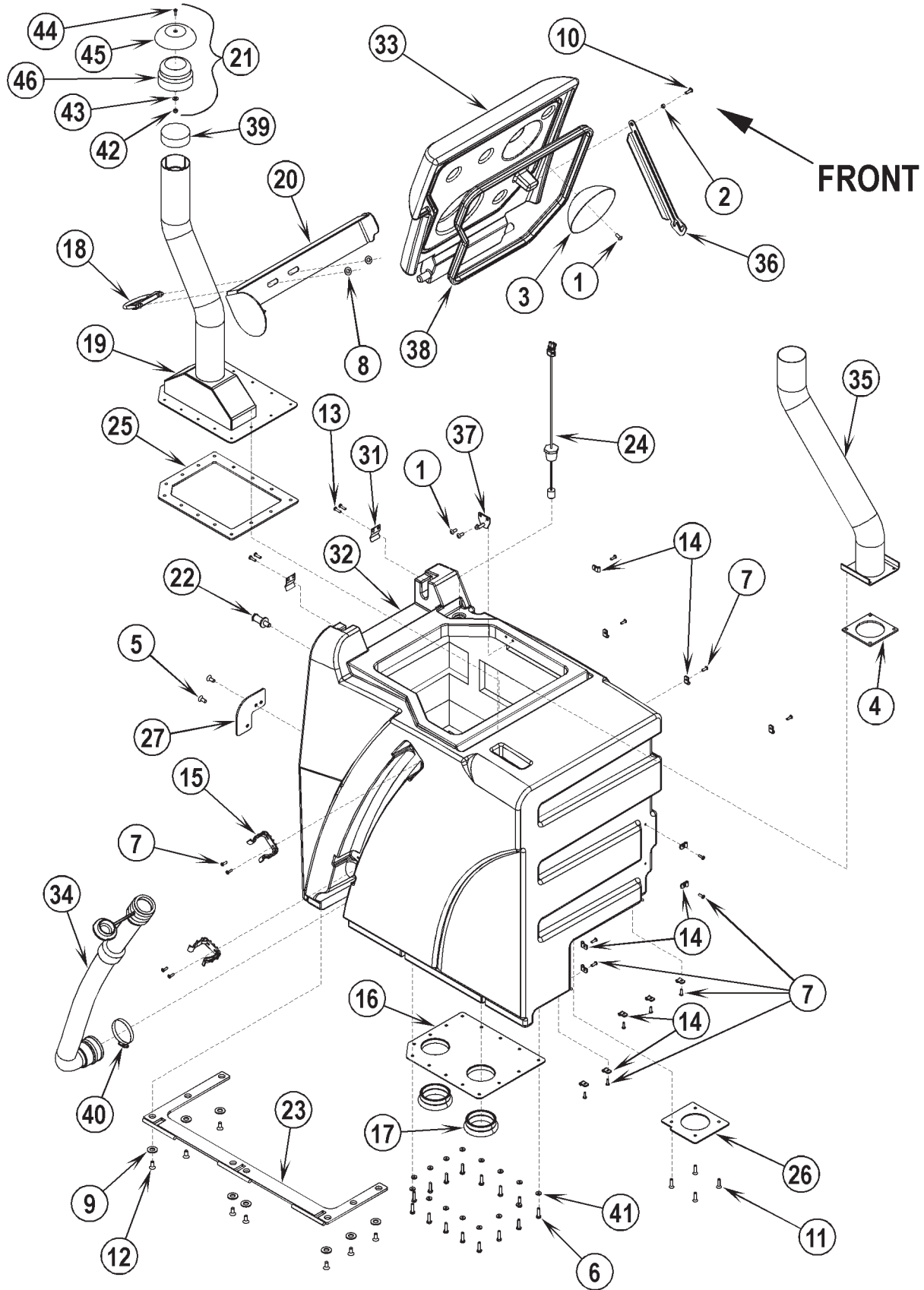


Item	Ref. No.	Qty	Description
	56303507	1	Drive Lug Assembly
1	56002956	2	Scr, Hex Hd Loc 5/16-18 x .75
2	56003022	2	Scr, Hex Hd Loc 1/2-13 x 1.25
3	56358959	2	Washer, Flat
4	56479430	2	Bearing, Ball
5	56002204	1	Scr, Hex Hd 3/8-16 x 3.00
6	56003015	1	Nut, Hex Jam SS 3/8-16
7	56003244	2	Key, Sq .25 X 0.94
8	56303045	1	Shaft, Broom Drive
9	56303087	1	Hub, Driver
10	56303480	1	Broom Arm Weldt
11	56303509	1	Broom Arm Weldt
12	56303524	1	Belt Tensioner Weldt
13	56303531	1	Sheave, 3v 5.95
14	56748926	1	Wsh, Flt .075 X 1.03 X 1.50
	56304753	1	Broom Adjuster
15	56305474	1	Lift Pivot Weldment
16	56001879	1	Wsh, Flt SAE 1/2
17	56001939	2	Wsh, Flt SAE 5/16
18	56002093	1	Scr, Hex Hd 1/4-20 x 1.00
19	56002098	1	Wsh, Flt SAE 1/4
20	56002708	1	Nut, Hex Nyl Loc 1/4-20
21	56002843	1	Nut, Hex Nyl Loc-Thin 1/2-13
22	56002929	2	Scr, Hex Hd Loc 5/16-18 x .62
23	56002950	1	Nut, Hex Nyl Loc 5/16-24
24	56003332	1	Pin, Cot Hair .042 x .188
25	56009102	2	Nut, Hex Jam 5/16-24
26	56171336	1	Bolt, Shoulder
27	56320595	2	Bushing .32 x .50 x .28
28	56368970	1	Bearing, Sleeve
29	56368989	1	Bushing
30	56477756	2	Rod End
31	56003663	1	Clevis Pin .25 x .75
32	56304345	1	Lever Weldment
33	56304586	1	Bearing .750 x .625 x .500
34	56304752	1	Weldment, Broom Lift
35	56304821	1	Plate, Indicator
36	56304822	1	Stop Plate Weldment
37	56304825	1	Lever Weldment
38	56305009	1	Cable, Broom Lift
39	56305010	1	Knob, Broom
40	56305011	1	Knob, Solution
41	56305030	1	Knob, Adjust
	56303128	1	Right Broom Arm Assembly
42	56002956	1	Scr, Hex Hd Loc 5/16-18 x .75
43	56358959	1	Washer, Flat
44	56479430	2	Bearing, Ball
45	56479434	1	Bushing
46	56493845	1	Hub-Idler
47	56303279	1	Right Broom Arm Weldment

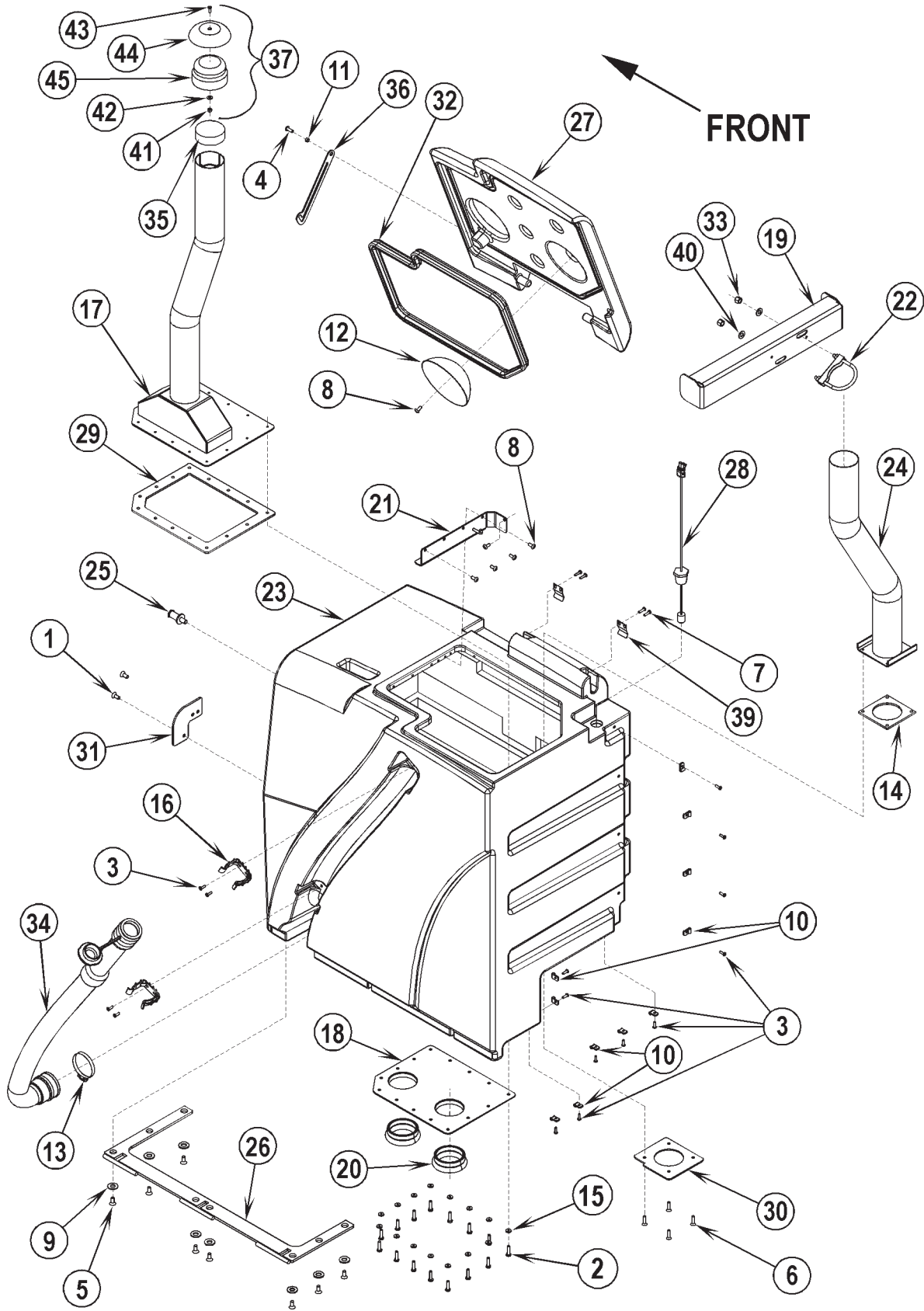


Item	Ref. No.	Qty	Description
1	56002701	2	Nut, Hex Nyl Loc 5/16-18
2	56002948	1	Scr, Hex Hd Loc 1/4-20 x .75
3	56003332	1	Pin, Cot Hair .042 x .188
4	56009018	6	Scr, Hex Thd Form 1/4-20 x .75
5	56009019	6	Scr, Hex Thd Form 1/4-20 x .38
6	56009033	6	Scr, Hex Thd Form 1/4-20 x .50
7	56009087	2	Nut, Hex Jam 1/4-20
8	56352829	2	Clamp, Hose SAE #52
9	56455984	1	Gasket, Bulb
10	56003669	1	Clevis, Pin .25 x 3.50
11	56112054	1	Spring, Extension .43 x .175
12	56303376	1	Recovery Tank Assembly (see Recovery Tank Assembly (4300B & CR 1100B))
	56303172	1	Recovery Tank Assembly (see Recovery Tank Assembly (4800B & CR 1200B))
13	56303181	1	Plate, Fan Mount
14	56303220	1	Motor Guard Weldment
15	56304840	1	Tube Weldment, Squeegee
16	56304844	1	Mount, Pivot
17	56305377	1	Hose Assembly
18	56305488	1	Tie Down
19	56305491	1	Tether
20	56305721	1	Tab Adjust
21	56410065	2	Vac Motor Assembly
*	56212223	1	Carbon Brush Set
22	56056871	1	Grommet
23	56409769	3	Clip, Weatherpack Mount
24	56324358	2	Hose, Vac 2.00 x 5.00 x 975018
25	56440213	2	Clamp, Hose SAE #32

* = Not Shown

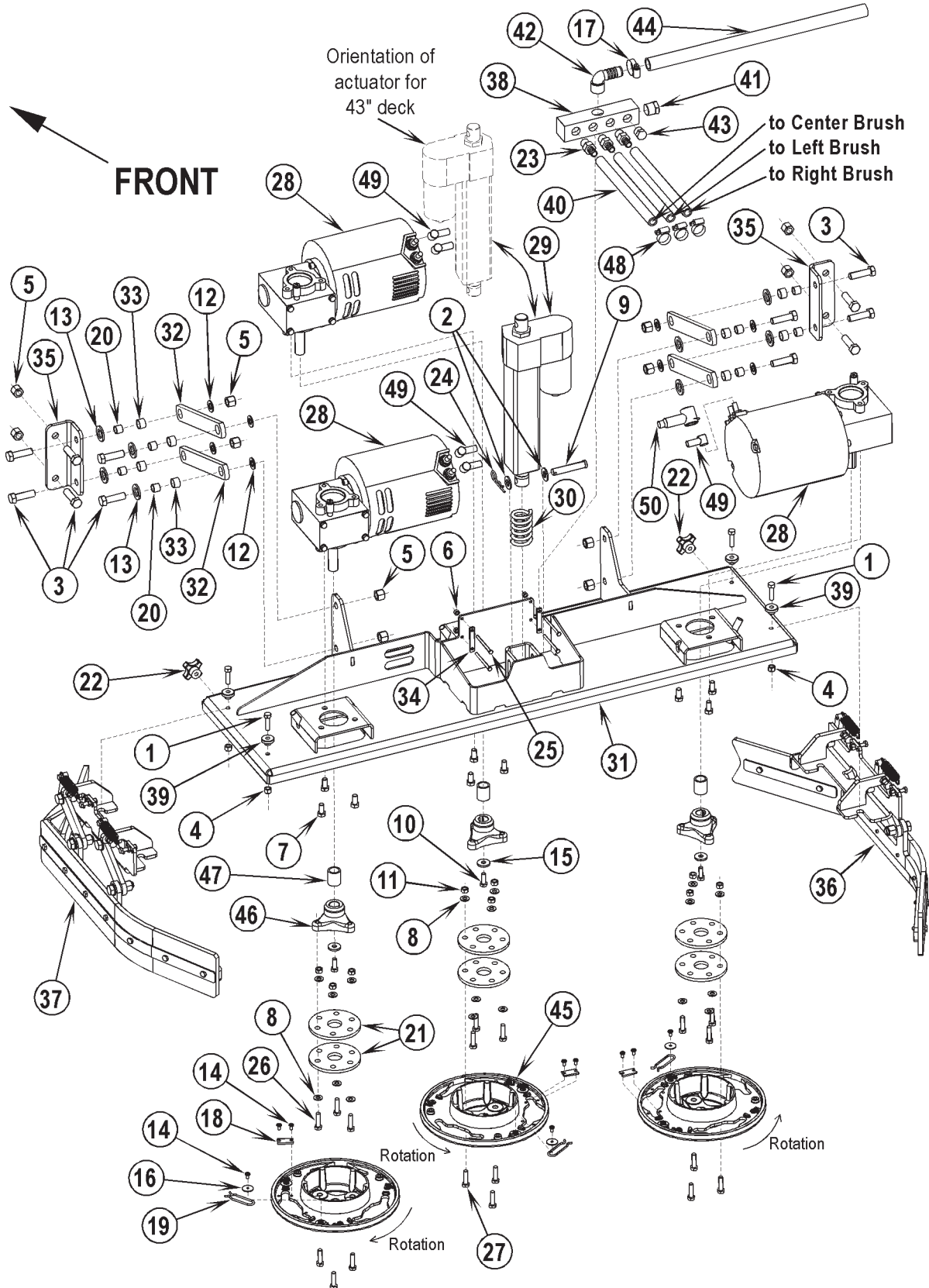


Item	Ref. No.	Qty	Description
	56303376	1	Recovery Tank Assembly (items 1-41)
1	56009120	3	Scr, Pan Phil SS Type B 1/4-14 x .62
2	56206784	1	Bushing
3	56454718	1	Deflector
4	56459136	1	Gasket
5	56002395	2	Scr, Flt Phil 5/16-18 x .75
6	56002883	15	Scr, Hex Hd SS 1/4-20 x 1.00
7	56002896	17	Scr, Pan Phil SS 10-24 x .62
8	56002910	2	Wsh, Flt SAE SS 3/8
9	56002918	8	Wsh, Flt SAE SS 1/2
10	56002957	1	Scr, Pan Phil SS 1/4-20 x .75
11	56003074	4	Scr, Flt Phil SS 1/4-20 x 1.00
12	56003689	8	Scr, Flt Phil SS 5/16-18 x .75
13	56009005	4	Scr, Pan Phil SS Type B 10-16 x .75
14	56220507	13	Clamp, P TSBUS2005-875
15	56212236	2	Clamp, Plastic
16	56303185	1	Seal Weldment
17	56303317	2	Gasket, Bulb
18	56303330	1	Clamp, Muffler 3.63 SS
19	56303377	1	Standtube Weldment
20	56303385	1	Brace, Recovery Tank (60)
21	56303392	1	Cap, Recovery Vac Tube Asm (items 42-46)
22	56304864	1	Pin, Slam Lock
23	56304871	1	Pivot Weldment
24	56305977	1	Switch, Liquid Level TSBUS2005-875
25	56305054	1	Gasket
26	56305060	1	Plate, Seal, Squeegee
27	56305202	1	Plate, Tether Cover
28			Intentionally Omitted
29			Intentionally Omitted
30			Intentionally Omitted
31	56305457	2	Clip, Lid
32	56305523	1	Tank, Recovery 60 Gal
33	56305548	1	Lid, Recovery Tank 60 Gal
34	56305624	1	Drain Hose
35	56305632	1	Standpipe Weldment, Right
36	56305642	1	Support Arm
37	56305644	1	Prop Support Weldment
38	56305834	1	Gasket
39	56303451	1	Filter
40	56456797	1	Clamp, Hose SAE #36
41	56900737	15	Washer, Sealing 1/4
42	56002836	1	Nut, Hex Nyl Loc SS 10-24
43	56002919	1	Wsh, Flt STD SS #10
44	56003056	1	Scr, Flt Phil SS 10-24 x .62
45	56303383	1	Cap, Recovery Vac Tube
46	56303393	1	Screen, Fan Inlet Long

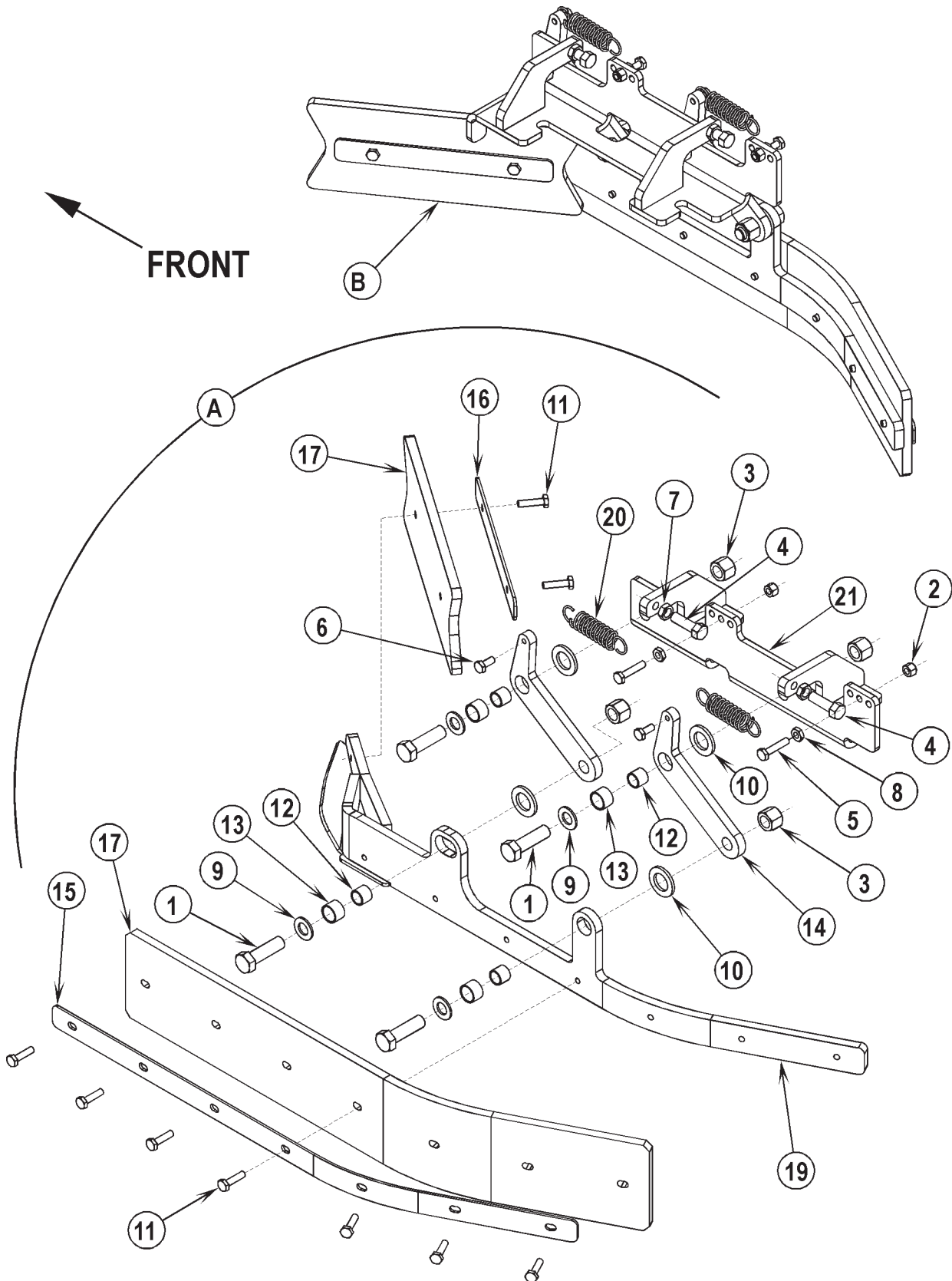


Item	Ref. No.	Qty	Description
	56303172	1	Recovery Tank Assembly (items 1-40)
1	56002395	2	Scr, Flt Phil 5/16-18 x .75
2	56002883	15	Scr, Hex Hd SS 1/4-20 x 1.00
3	56002896	15	Scr, Pan Phil SS 10-24 x .62
4	56002957	1	Scr, Pan Phil SS 1/4-20 x .75
5	56003689	8	Scr, Flt Phil SS 5/16-18 x .75
6	56003074	4	Scr, Flt Phil SS 1/4-20 x 1.00
7	56009005	4	Scr, Pan Phil SS Type B 10-16 x .75
8	56009120	6	Scr Pan Phil SS Type B 1/4-14 x .62
9	56002918	8	Wsh, Flt SAE SS 1/2
10	56220507	11	Clamp, P TSBUS2005-875
11	56206784	1	Bushing
12	56454718	1	Deflector
13	56456797	1	Clamp, Hose SAE #36
14	56459136	1	Gasket
15	56900737	15	Washer, Sealing 1/4
16	56212236	2	Clamp, Plastic
17	56303180	1	Standtube Weldment
18	56303185	1	Seal Weldment
19	56303235	1	Brace, Recovery Tank
20	56303317	2	Gasket, Bulb
21	56303328	1	Support Weldment
22	56303330	1	Clamp, Muffler 3.63 SS
23	56304483	1	Recovery Tank Assembly
24	56304653	1	Standpipe Weldment, Right
25	56304864	1	Pin, Slam Lock
26	56304871	1	Pivot Weldment
27	56305005	1	Lid, Recovery Tank
28	56305977	1	Switch, Liquid Level TSBUS2005-875
29	56305054	1	Gasket
30	56305060	1	Plate, Seal, Squeegee
31	56305202	1	Plate, Tether Cover
32	56305203	1	Gasket
33	56003219	2	Nut, Hex Nyl Loc SS 3/8-16
34	56305215	1	Drain Hose
35	56303451	1	Filter
36	56305236	1	Slide
37	56303392	1	Cap, Recovery Vac Tube (items 41-45)
38			Intentionally Omitted
39	56305457	2	Clip, Lid
40	56002910	2	Wsh, Flt SAE SS 3/8
41	56002836	1	Nut, Hex Nyl Loc SS 10-24
42	56002919	1	Wsh, Flt STD SS #10
43	56003056	1	Scr, Flt Phil SS 10-24 x .62
44	56303383	1	Cap, Recovery Vac Tube
45	56303393	1	Screen, Fan Inlet Long
*	56478246	2	Tie, Cable

* = Not Shown



Item	Ref. No.	Qty	Description	Item	Ref. No.	Qty	Description
1	56001834	4	Scr, Hex Hd 5/16-18 x 1.25	*	56505788	3	Brush, Mid Lite 180 (grey) Standard
2	56001879	2	Wsh, Flt SAE 1/2	**	56505781	3	Brush, Magna Grit 46 (blue-grey)
3	56001995	12	Scr, Hex Hd 1/2-13 x 1.75	**	56505782	3	Brush, Dyna Grit 80 (blue-grey)
4	56002701	4	Nut, Hex Nyl Loc 5/16-18	**	56505783	3	Brush, Aglite 500 (blue-grey)
5	56002770	12	Nut, Hex Nyl Loc 1/2-13	**	56505784	3	Brush, Prolene (black)
6	56002836	4	Nut, Hex Nyl Loc SS 10-24	**	56505785	3	Brush, Prolite (black)
7	56003338	9	Scr, Hex Loc SS 3/8-16 x .75	**	56505786	3	Brush, Union Mix
8	56002938	18	Wsh, Flt SAE SS 5/16	**	56505787	3	Brush, Mid Grit 240 (blue-grey)
9	56003207	1	Clevis Pin .50 x 2.75	**	56505780	3	Pad Holder (red)
10	56003335	3	Scr Hex Loc SS 5/16-18 x .88				
11	56003405	9	Nut, Hex Nyl Loc SS M8 x 1.25	* = Not Shown			
12	56009017	8	Wsh, Flt Harden .516 x .938 x.75	** = Optional			
13	56009022	8	Wsh, Flt .754 x 1.250 x .120				
14	56009030	9	Scr, Pan Phil Thd Form 10-24 x .38				
15	56009057	3	Wsh, Flt Harden .344 x 1.000 x .120/.135				
16	56009096	3	Wsh, Flt .193 x .875 x .060				
17	56244969	1	Clamp, Hose SAE #12				
18	56366455	3	Plate, Stop				
19	56366463	3	Spring Retainer				
20	56367206	8	Bushing				
21	56407053	6	Thermoid Disk				
22	56407303	2	Knob				
23	56412184	3	Barb, Adapter 1/2 x 1/2 NPT				
24	56003644	1	Pin, Cotter Hair .120 x .5				
25	56003131	4	Scr, Hex Hd SS 10-24 x 2.50				
26	56003278	9	Scr, Hex Loc SS M8-1 x 30mm				
27	56003639	9	Scr, Hex Hd SS M8-1.25 x 30mm				
28	56303083	3	Gearmotor Assembly				
*	56303419	A/R	Replacement Carbon Brushes (4 per motor)				
*	56303444	A/R	Replacement Spring (4 per motor)				
29	56303095	1	Actuator, Motor 36V, Scrub Lift				
30	56303106	1	Compression Spring				
31	56303335	1	Deck Weldment 48 in.				
	56303428	1	Deck Weldment 43 in.				
32	56305467	4	Arm Parallel 7.5 in				
33	56304586	8	Bearing .750 x .625 x .500				
34	56304601	2	Plate				
35	56304605	2	Mount Chassis Scrub Deck				
36	56304988	1	Side Skirt Right Assy (see Scrub System Skirt-Assemblies)				
37	56304998	1	Side Skirt Left Assy (see Scrub System Skirt-Assemblies)				
38	56305090	1	Manifold, Solution				
39	56305258	4	Mounting Lugs				
40	56303395	3	Hose, Spiral .750 x 31" (48 in.)				
	56303423	3	Hose, Spiral .750 x 31" (43 in.)				
41	56305464	1	Plug, 3/4 Hex Pipe				
42	56305545	1	Barb, 90 Elbow 3/4 x 3/4 NPT				
43	56305547	1	Plug, 1/2 Hex Pipe				
44	56303394	1	Hose, Spiral .750 x 25"				
45	56314030	3	Brush Holder				
46	56314108	3	Hub, Drive				
47	56314109	3	Spacer				
48	56112771	3	Clamp, Hose SAE #10				
49	56492305	5	Boot, Rubber				
50	56493357	1	Insulator, Terminal				

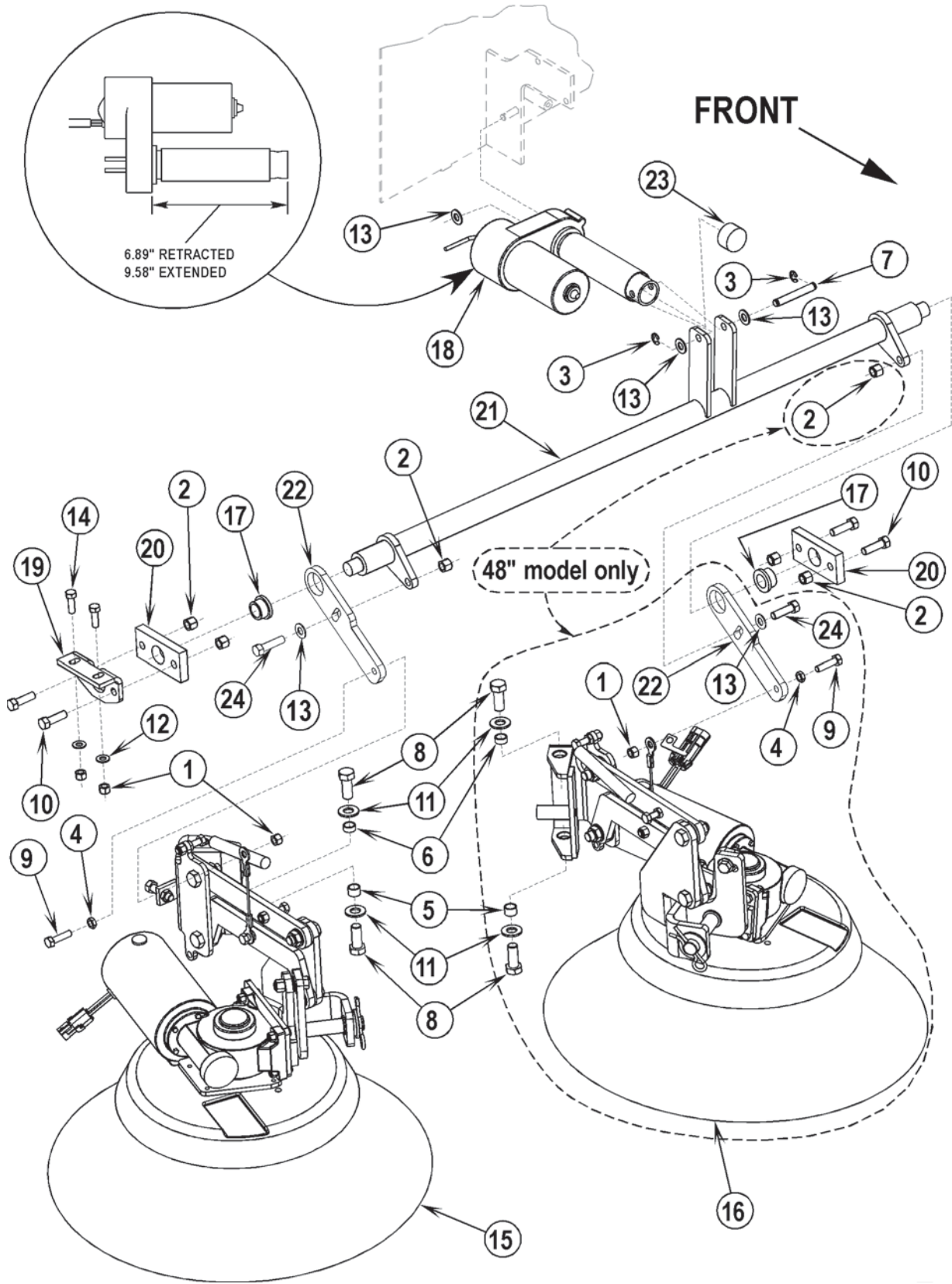
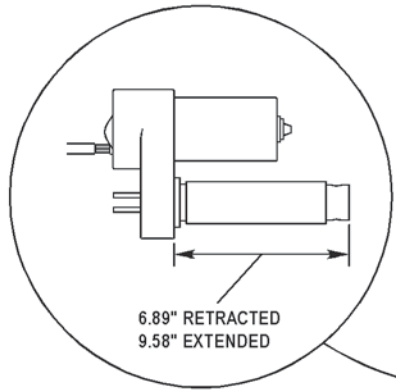


Item	Ref. No.	Qty	Description
A	56304998	1	Side Skirt Left Assy (items 1-21)
B	56304988	1	Side Skirt Right Assy (items 1-21)
1	56001995	4	Scr, Hex Hd 1/2-13 x 1.75
2	56002491	2	Nut, Hex Nyl Loc SS 1/4-20
3	56002770	4	Nut, Hex Nyl Loc 1/2-13
4	56002881	2	Scr, Hex Hd SS 3/8-16 x 1.25
5	56002897	2	Scr, Hex Hd SS 1/4-20 x 1.25
6	56002922	2	Scr, Hex Hd Loc 1/4-20 x .62
7	56003015	2	Nut, Hex Jam SS 3/8-16
8	56003145	2	Nut, Hex Jam SS 1/4-20
9	56009017	4	Wsh, Flt Harden .516 x .938 x .75
10	56009022	4	Wsh, Flt .754 x 1.250 x .120
11	56009054	9	Scr, Hex Type 23 1/4-20 x 1.00
12	56367206	4	Bushing
13	56304586	4	Bearing .750 x .625 x .500
14	56304993	2	Arm Parallel Side Skirts
15	56304994	1	Strap Long Side Skirts
16	56304995	1	Strap Short Side Skirts
17	56305697	1	Side Blade Kit (contains 2 long blades and 2 short blades)
18			Intentionally Omitted
19	56304999	1	Side Skirt Left Weldment (56304998 Assy)
*	56304989	1	Side Skirt Right Weldment (56304988 Assy)
20	56305253	2	Spring, Extension
21	56305254	1	Mount, Left Side Squeegee Weldt (56304998 Assy)
*	56305252	1	Mount, Right Side Squeegee Weldt (56304988 Assy)
**	56305685	1	Neoprene Side Blade Kit (contains 2 long blades and 2 short blades)

* = Not Shown

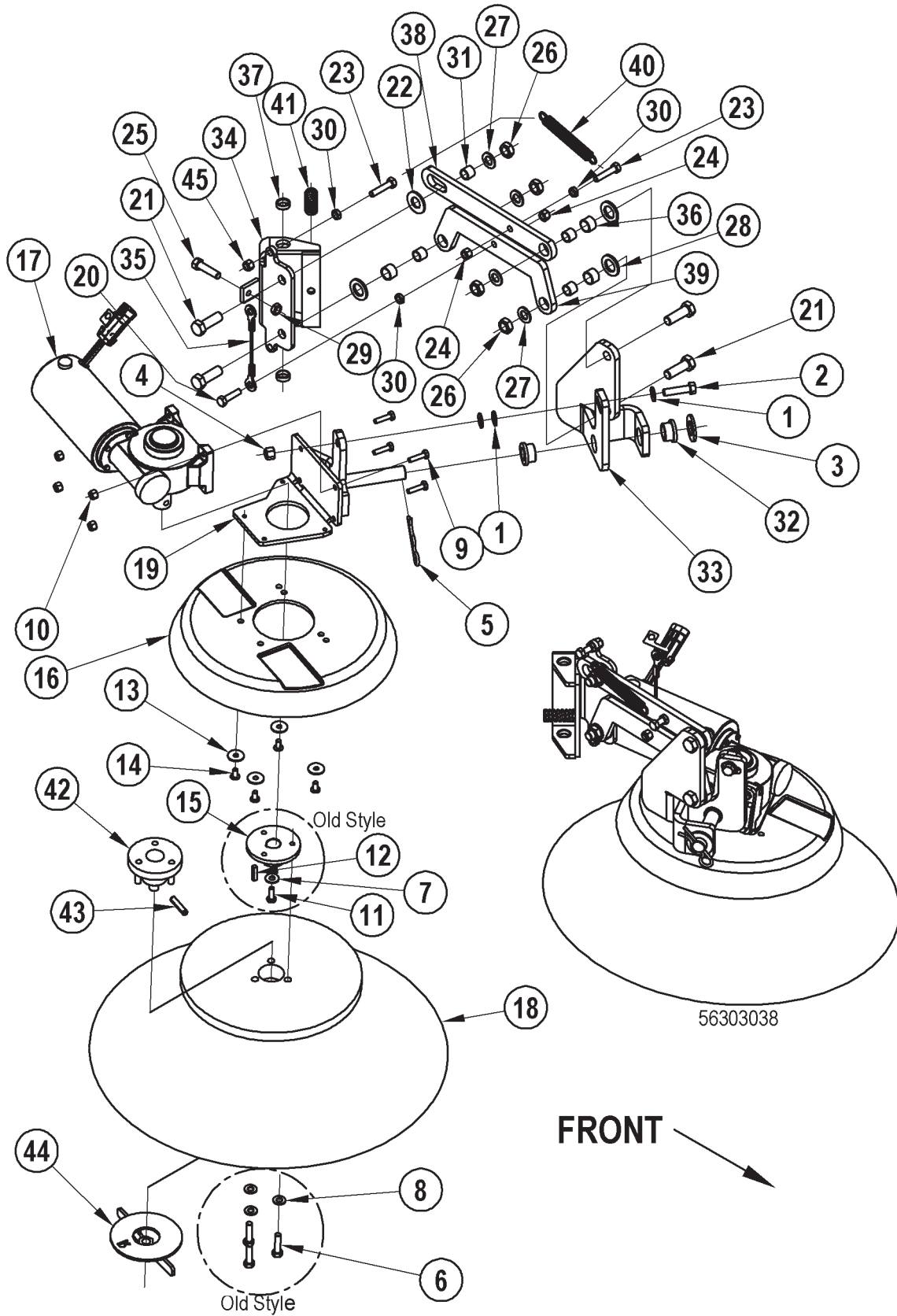
** = Optional

NOTE: All quantities are for ONE side skirt assembly only. There are two side skirt assemblies on the machine.

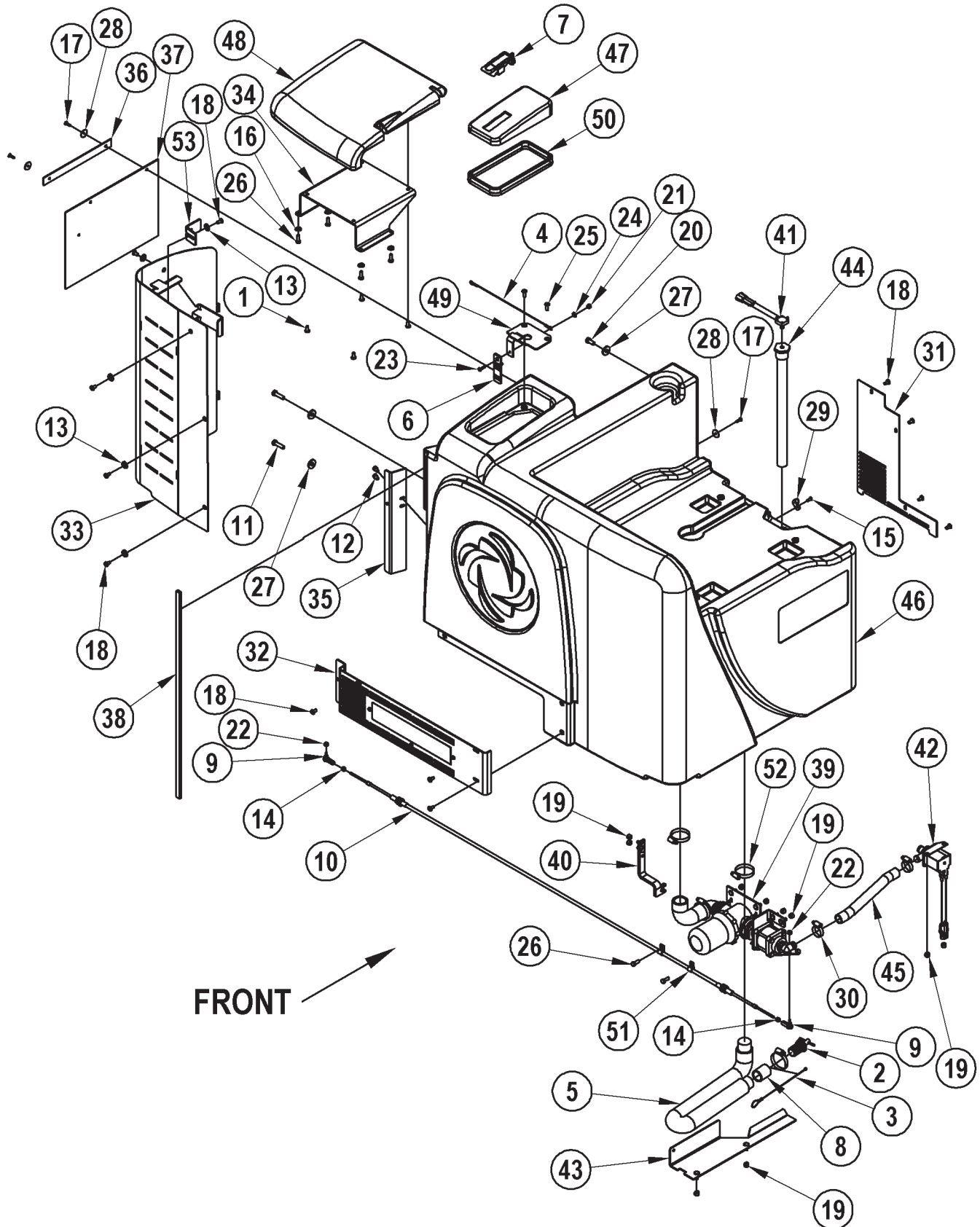


Item	Ref. No.	Qty	Description
1	56002701	4	Nut, Hex Nyl Loc 5/16-18
2	56002769	6	Nut, Hex Nyl Loc 3/8-16
3	56003262	2	Ring, Ret Ext Type E 0.38 Dia.
4	56009086	2	Nut, Hex Jam 5/16-18
5	56360627	2	Bushing
6	56365030	2	Bushing .50 x .62 x .27
7	56412088	1	Pin
8	56001831	4	Scr, Hex Hd 1/2-13 x 1.25
9	56001834	2	Scr, Hex Hd 5/16-18 x 1.25
10	56001858	4	Scr, Hex Hd 3/8-16 x 1.25 (Qty of 6 before SN1767915)
11	56001879	4	Wsh, Flt SAE 1/2
12	56001939	2	Wsh, Flt SAE 5/16
13	56002063	5	Wsh, Flt SAE 3/8 (Qty of 3 before SN1767915)
14	56002221	2	Scr, Hex Hd 5/16-18 x 1.00
15	56303037	1	Right Side Broom Assy
16	56303038	1	Left Side Broom Assy (4800B / CR 1200B only)
17	56303071	2	Bearing, Flange
18	56303119	1	Actuator, Motor
19	56305080	1	Bracket, Side Broom Lift
20	56305091	2	Pillow Block
21	56305442	1	Lifter Shaft Weldment
22	56305470	2	Arm, Side Broom Lift (Qty of 1 on 43" models) NOTE #1
23	56305798	1	Foam Seal
24	56002095	2	Scr, Hex Hd 3/8-16 x 1.50 (Used after SN1767914)

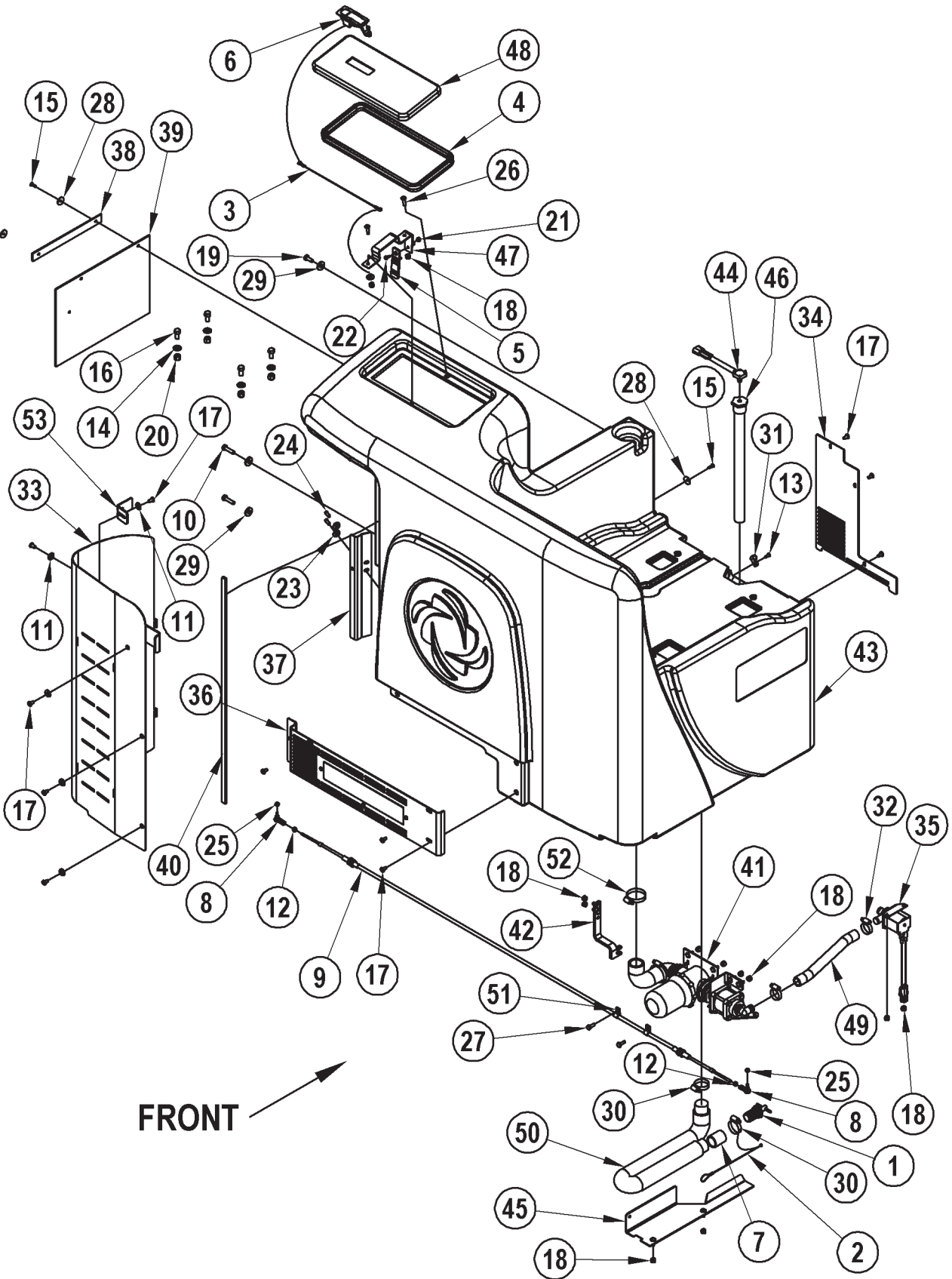
NOTE #1: The design of this part changed as of SN17679145. It is a direct replacement for the previous design except that it requires item 24 and item 13. It should be replaced in a matched pair on 48" models.



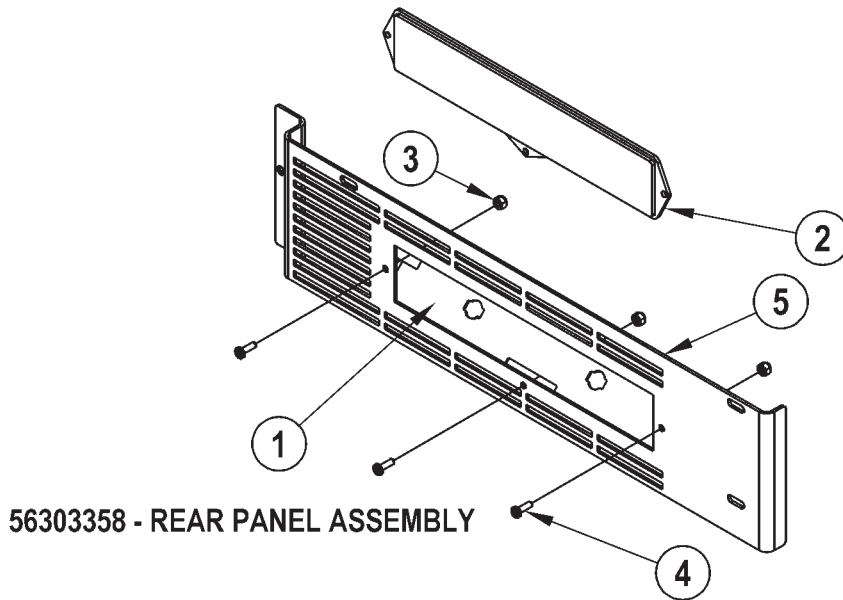
Item	Ref. No.	Qty	Description	Item	Ref. No.	Qty	Description
	56303037	1	Right Side Broom Assy (items 1-44)	42	56418543	1	Right Hub Assy NOTE 2
	56303038	1	Left Side Broom Assy (4800B / CR 1200B only) (items 1-44)		56305723	1	Left Hub Assy NOTE 2
1	56002063	3	Wsh, Flt SAE 3/8	43	56003494	1	Pin, Spr .31 x 1.38 NOTE 2
2	56002095	1	Scr, Hex Hd 3/8-16 x 1.50	44	56305731	1	Right Thumb Nut Weldment NOTE 2
3	56002141	1	Wsh, Flt SAE 3/4		56305725	1	Left Thumb Nut Weldment NOTE 2
4	56002769	1	Nut, Hex Nyl Loc 3/8-16	45	56002826	1	Nut, Hex Nyl Loc-Thin 5/16-18
5	56003223	1	Pin, Cot Hair .148 x Dia .62/1.00				
	56303258	1	Side Broom/Gearmotor Assy-Right (items 6-19, 42-44)				* = Not Shown
	56303256	1	Side Broom/Gearmotor Assy-Left (items 6-19, 42-44)				
6	56001834	3	Scr, Hex Hd 5/16-18 x 1.25 NOTE 1				Note 1: Used on machines built before May 2004.
7	56001906	1	Wsh, Flt Std 1/4 NOTE 1				Note 2: Used on machines built after April 2004.
8	56001939	3	Wsh, Flt SAE 5/16 NOTE 1				
9	56002093	4	Scr, Hex Hd 1/4-20 x 1.00				
10	56002708	4	Nut, Hex Nyl Loc 1/4-20				
11	56002948	1	Scr, Hex Hd Loc 1/4-20 x .75 NOTE 1				
12	56003239	1	Key, Sq .19 x 1.00 NOTE 1				
13	56009002	4	Wsh, Flt .266 x .906 x .060				
14	56009069	4	Scr, Pan Phil Loc 1/4-20 x .50				
15	56416023	1	Hub NOTE 1				
16	56416538	1	Broom Guard				
17	56416578	1	Gearmotor Assy (right) NOTE 1				
	56410307	1	Gearmotor Assy (left) NOTE 1				
	56303442	1	Gearmotor Assy (right) NOTE 2				
	56303443	1	Gearmotor Assy (left) NOTE 2				
*	56416608	2	Replacement Carbon Brushes (for item 17, 2 required per motor)				
18	56462252	1	Broom, Side				
19	56303270	1	Right Side Broom Bracket Weldment				
	56303272	1	Left Side Broom Bracket Weldment				
	56303259	1	Side Broom Arm Assy-Right (items 20-42)				
	56303257	1	Side Broom Arm Assy-Left (items 20-42)				
20	56001834	1	Scr, Hex Hd 5/16-18 x 1.25				
21	56001968	4	Scr, Hex Hd 1/2-13 x 1.50				
22	56002022	1	Wsh, Flt SAE 5/8				
23	56002094	2	Scr, Hex Hd 5/16-18 x 1.50				
24	56002701	2	Nut, Hex Nyl Loc 5/16-18				
25	56002747	1	Scr, Hex Thd To Hd 3/8-16 x 1.50				
26	56002843	4	Nut, Hex Nyl Loc-Thin 1/2-13				
27	56009017	4	Wsh, Flt Harden .516 x .938 x .75				
28	56009022	3	Wsh, Flt .754 x 1.250 x .120				
29	56009085	1	Nut, Hex Jam 3/8-16				
30	56009086	3	Nut, Hex Jam 5/16-18				
31	56367206	4	Bushing				
32	56303071	2	Bearing, Flange				
33	56303269	1	Right Side Broom Bracket Weldment				
	56303271	1	Left Side Broom Bracket Weldment				
34	56304052	1	Side Broom Hinge Weldment				
35	56304126	1	Cable Assy				
36	56304586	3	Bearing .750 x .625 x .500				
37	56304893	2	Bearing, Sleeve .625 x .750 x .250				
38	56305460	1	Arm, Side Broom				
39	56305462	1	Arm, Side Broom, Lower				
40	56448112	1	Spring Ext.				
41	56761327	1	Spring, Comp				



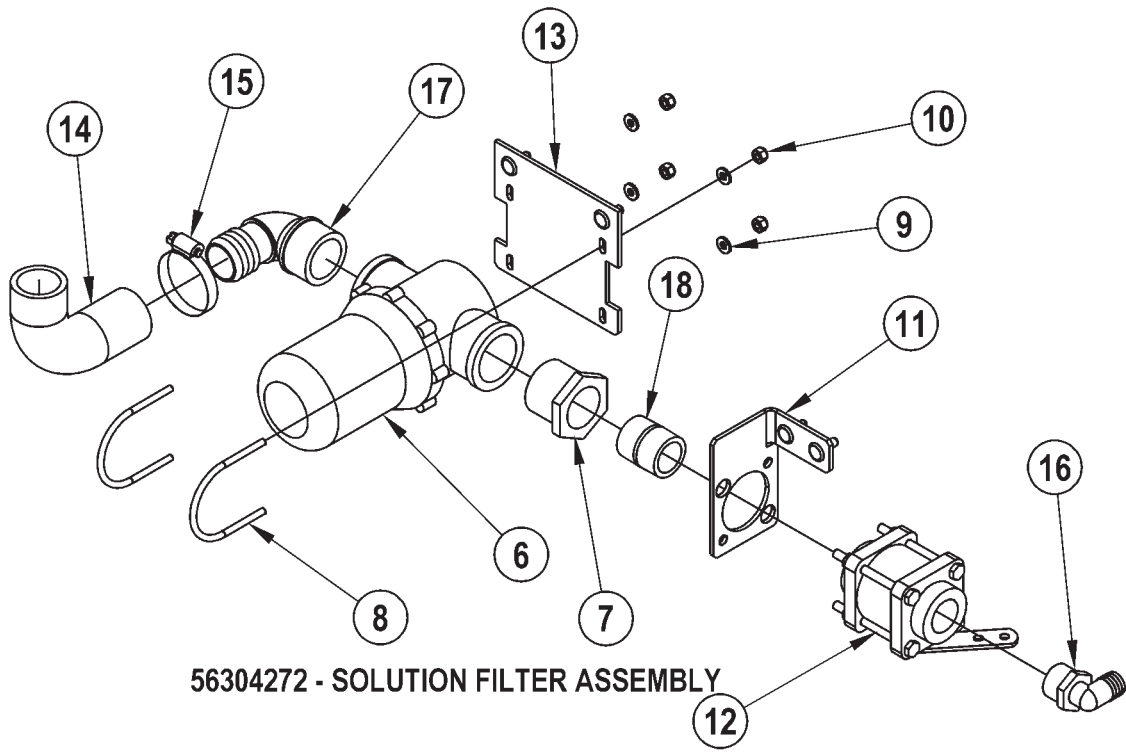
Item	Ref. No.	Qty	Description
1	56009120	4	Scr Pan Phil SS Type B 1/4-14 X .62
2	56260098	1	Plug, T-Handle
3	56261378	1	Cork Strap
4	56330391	1	Wire Rope, 12 Inch
5	56305602	1	Hose, Recovery Drain
6	56412309	1	Water Level Gauge
7	56418471	1	Door Latch
8	56459433	1	Sleeve, Hose End
9	56488290	2	Rod End
10	56488292	1	Cable
11	56001834	2	Scr, Hex Hd 5/16-18 x 1.25
12	56001854	2	Scr, Hex Hd 1/4-20 x .50
13	56001906	8	Wsh, Flt Std 1/4
14	56001987	2	Nut, Hex Machine 10-32
15	56001993	1	Scr, Pan Phil 10-24 x .50
16	56002098	4	Wsh, Flt SAE 1/4
17	56002124	3	Scr, Pan Phil 10-24 x .62
18	56002145	12	Scr, Pan Phil 1/4-20 x .50
19	56002491	10	Nut, Hex Nyl Loc SS 1/4-20
20	56002667	1	Scr, Hex Hd 5/16-18x.75
21	56002836	1	Nut, Hex Nyl Loc SS 10-24
22	56002873	2	Nut, Hex Nyl Loc 10-32
23	56002894	1	Scr, Pan Phil SS 10-24 x .75
24	56002916	1	Wsh, Flt SAE SS #10
25	56002969	2	Scr, Flt Phil SS 1/4-20 x .75
26	56009018	6	Scr, Hex Thd Form 1/4-20 X .75
27	56009057	3	Wsh, Flt Harden .344 x 1.000 x .120/.135
28	56009096	3	Wsh, Flt .193 X .875 X .060
29	56172017	1	Clamp, P
30	56244969	2	Clamp, Hose SAE #12
31	56303212	1	Cover, Sol Tank Front
32	56303358	1	Rear Panel Assembly
33	56303391	1	Door Weldment, Battery 60 Gal
34	56303424	1	Mount, Cover
35	56303425	1	Tab, Rear Door
36	56303446	1	Strap
37	56303447	1	Cover
38	56303466	1	Gasket
39	56304272	1	Solution Filter Assy
40	56304681	1	Bracket, Cable
41	56305032	1	Switch, Pressure
42	56305103	1	Solenoid Valve Assy
43	56305195	1	Bracket, Sol. Drain
44	56305205	1	Tube Assy
45	56305318	1	Hose, Spiral .750 X 10.50
46	56305514	1	Tank, Solution 60 Gal
47	56305522	1	Cover, Solution Tank 60 Gal
48	56305666	1	Corner Cover
49	56305802	1	Plate, Fill Valve
50	56305812	1	Trim Seal
51	56323260	2	Clamp, Hose Support
52	56329145	3	Clamp, Hose SAE #24
53	56303396	1	Tab, Retainer



Item	Ref. No.	Qty	Description
1	56260098	1	Plug, T-Handle
2	56261378	1	Cork Strap
3	56330391	1	Wire Rope, 12 Inch
4	56407282	1	Gasket
5	56412309	1	Water Level Gauge
6	56418471	1	Door Latch
7	56459433	1	Sleeve, Hose End
8	56488290	2	Rod End
9	56488292	1	Cable
10	56001834	2	Scr, Hex Hd 5/16-18 x 1.25
11	56001906	8	Wsh, Flt Std 1/4
12	56001987	2	Nut, Hex Machine 10-32
13	56001993	1	Scr, Pan Phil 10-24 x .50
14	56002063	4	Wsh, Flt SAE 3/8
15	56002124	3	Scr, Pan Phil 10-24 x .62
16	56002127	4	Scr, Hex Hd 3/8-16 x .75
17	56002145	11	Scr, Pan Phil 1/4-20 x .50
18	56002491	12	Nut, Hex Nyl Loc SS 1/4-20
19	56002667	1	Scr, Hex Hd 5/16-18 x .75
20	56002769	4	Nut, Hex Nyl Loc 3/8-16
21	56002849	1	Nut, Hex Nyl Loc-Thin SS 10-24
22	56002900	1	Scr, Pan Phil SS 10-24 x .50
23	56002914	3	Wsh, Flt Std SS 1/4
24	56003047	2	Scr, Hex Hd SS 1/4-20 x .62
25	56003053	2	Nut, Hex Nyl Loc-Thin 10-32
26	56003074	2	Scr, Flt Phil SS 1/4-20 x 1.00
27	56009018	2	Scr, Hex Thd Form 1/4-20 x .75
28	56009096	3	Wsh, Flt .193 X .875 X .060
29	56009122	3	Wsh, Flt .344 X .938 X .125
30	56131601	2	Clamp, Hose SAE #16
31	56172017	1	Clamp, P
32	56244969	2	Clamp, Hose SAE #12
33	56303203	1	Cover, Rear Weldt
34	56303212	1	Cover, Sol Tank Front
35	56303275	1	Solenoid Valve Assy
36	56303358	1	Rear Panel Assembly
37	56303359	1	Tab, Door Weldmt
38	56303446	1	Strap
39	56303447	1	Cover
40	56303464	1	Gasket
41	56304272	1	Solution Filter Assy
42	56304681	1	Bracket, Cable
43	56304834	1	Tank, Solution (75 Gal.)
44	56305032	1	Switch, Pressure
45	56305195	1	Bracket, Sol. Drain
46	56305205	1	Tube Assy
47	56305206	1	Plate, Latch
48	56305209	1	Cover, Solution Tank
49	56305318	1	Hose, Spiral .750 X 10.50
50	56305602	1	Hose, Flex Drain
51	56323260	2	Clamp, Hose Support
52	56329145	1	Clamp, Hose SAE #24
53	56303396	1	Tab, Retainer

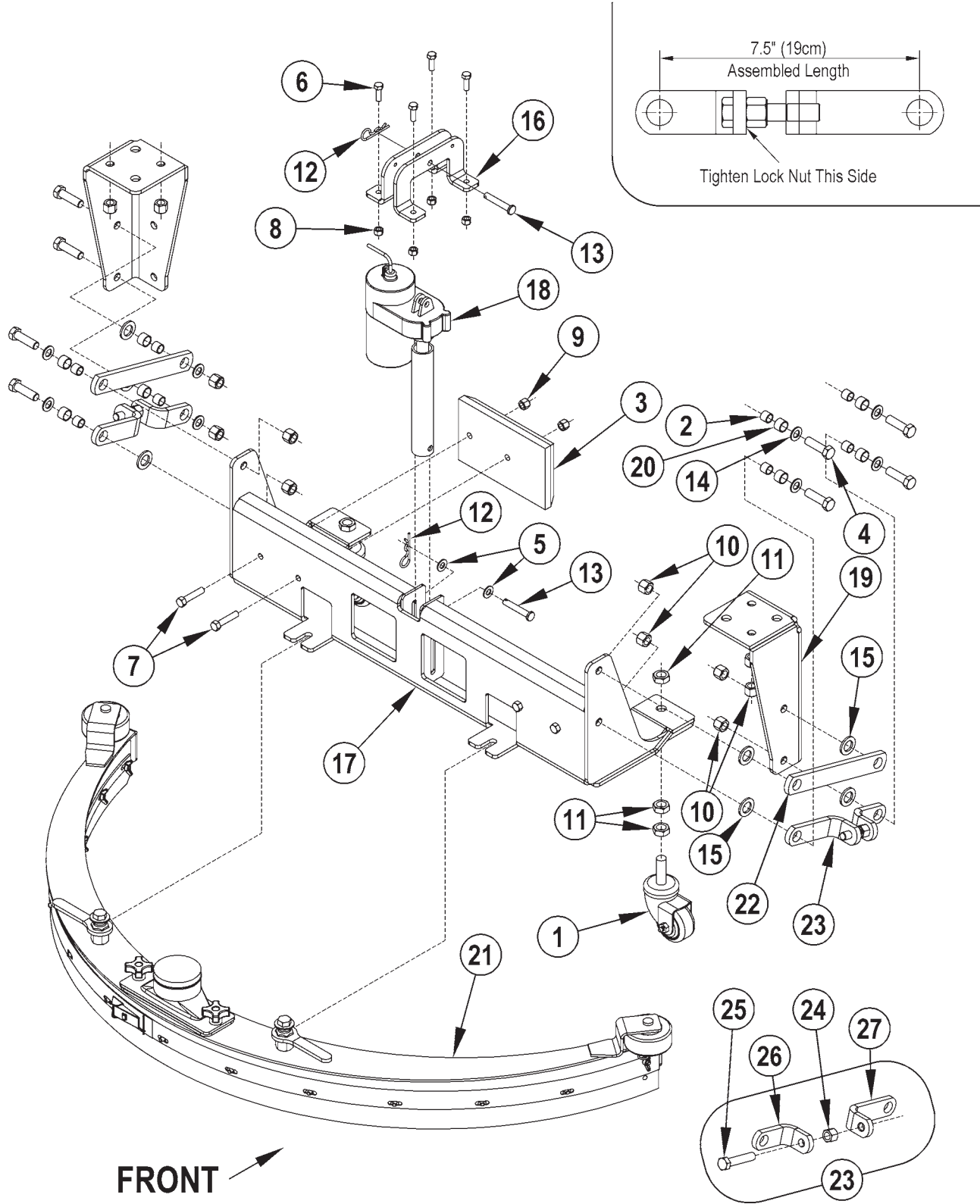


FRONT ↗

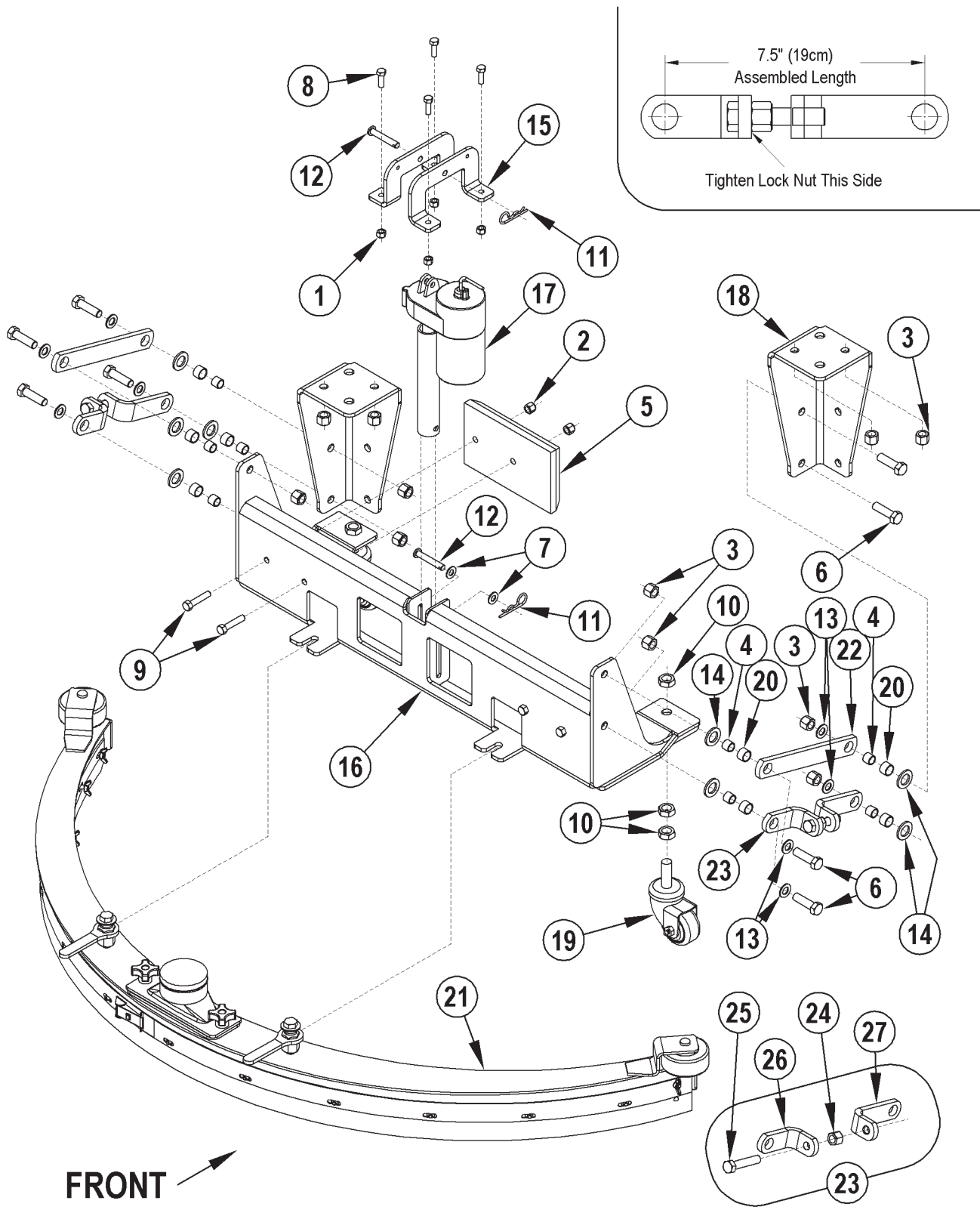


Item	Ref. No.	Qty	Description
	56303358	1	Rear Panel Assy (1-5)
1	56016097	1	Decal, Reflective
2	56416418	1	Lens, Tail Light
3	56002768	3	Nut, Hex Nyl Loc 10-24
4	56009100	3	Scr, Pan Phil Thd Form-Blk 10-24 x .62
5	56303357	1	Door Wldmt, Rear
	56304272	1	Solution Filter Assy (6-18)
6	56456241	1	Strainer, In-Line
*	56455838	1	Nylon Strainer Bowl
7	56459825	1	Bushing, Reducer
8	56459830	2	U-Bolt
9	56001954	4	Wsh, Flt SAE #10
10	56002768	4	Nut, Hex Nyl Loc 10-24
11	56304260	1	Bracket
12	56304275	1	Valve Assy
13	56305114	1	Bracket, Filter
14	56305319	1	Hose, Radiator
15	56329145	1	Clamp, Hose SAE #24
16	56456802	1	Barb, 90 Elbow 11/16 X 3/4NPT
17	56900913	1	Barb, Elbow Male
18	56900914	1	Nipple, Close PVC

* = Not Shown



Item	Ref. No.	Qty	Description
1	56304266	2	Wheel, Caster
2	56367206	8	Bushing
3	56453907	2	Weight Casting
4	56001995	8	Scr, Hex Hd 1/2-13 x 1.75
5	56002063	2	Wsh, Flt SAE 3/8
6	56002221	4	Scr, Hex Hd 5/16-18 x 1.00
7	56002684	4	Scr, Hex Hd 3/8-16 x 1.75
8	56002701	4	Nut, Hex Nyl Loc 5/16-18
9	56002769	4	Nut, Hex Nyl Loc 3/8-16
10	56002770	12	Nut, Hex Nyl Loc 1/2-13
11	56003272	6	Nut, Hex Jam SS 5/8-11
12	56003644	2	Pin, Cotter Hair .120 x .5
13	56003656	2	Clevis Pin .375 x 2.25
14	56009017	8	Wsh, Flt Harden .516 x .938 x .75
15	56009022	8	Wsh, Flt .754 x 1.250 x .120
16	56303117	2	Mount, Squeegee Actuator
17	56303174	1	Squeegee Mount Weld.
18	56303360	1	Actuator 36V, Squeegee Lift
19	56304157	2	Bracket Deck Tower Mount
20	56304586	8	Bearing .750 x .625 x .500
21	56303459	1	Squeegee Assy. (see Squeegee Assembly)
22	56305467	2	Arm Parallel 7.5in
23	56305610	2	Arm, Adjustable Asm (items 24-27)
24	56002773	1	Nut, Hex Nyl Loc 1/2-20
25	56003672	1	Scr, Hex Thd to Hd 1/2-20 x 2.50 Grd 8
26	56305608	1	Arm, Adjustable
27	56305609	1	Arm, Adjustable Threaded



FRONT →

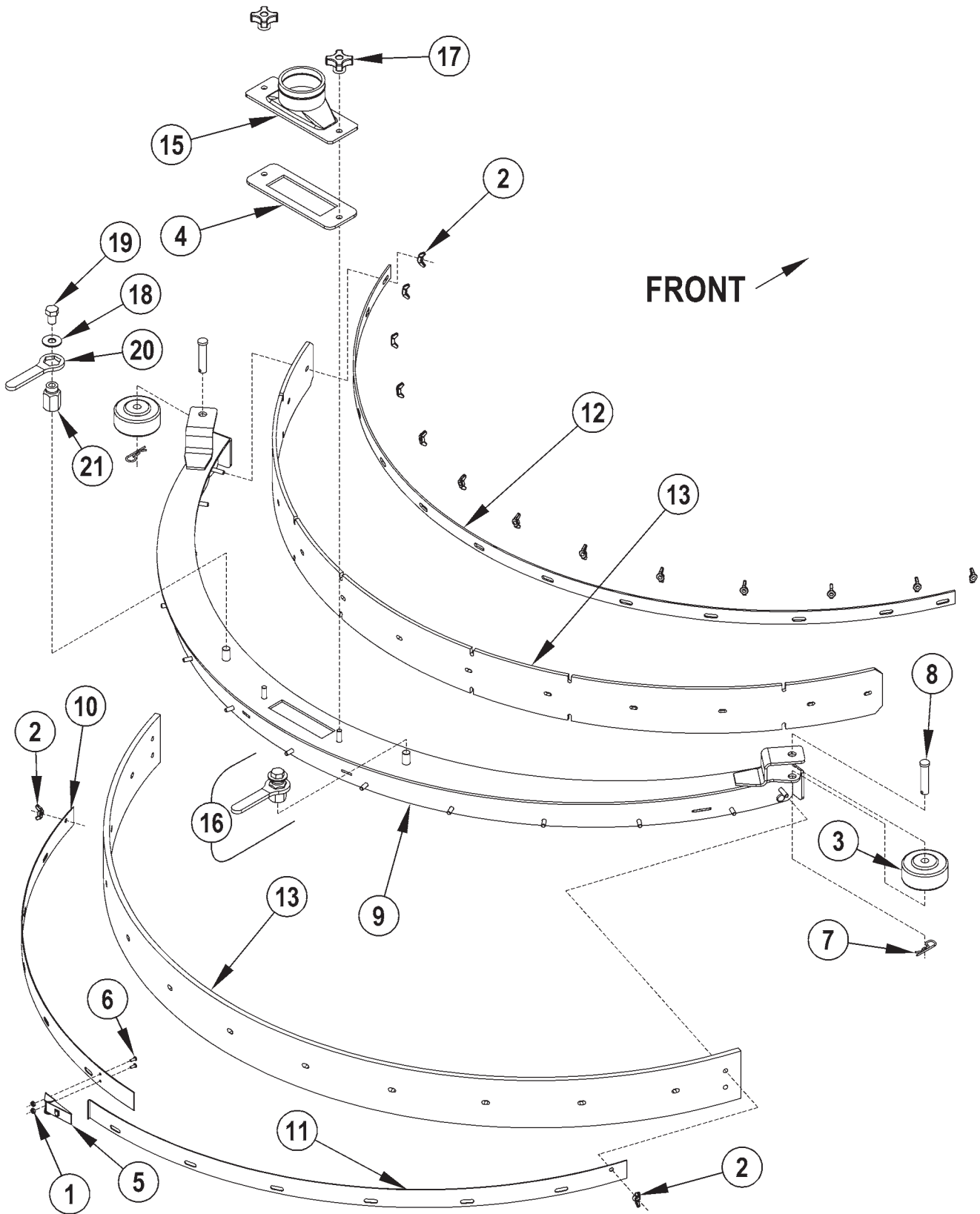
04-3

SQUEEGEE SYSTEM 4800B / CR 1200B**BOOK E**

04-4

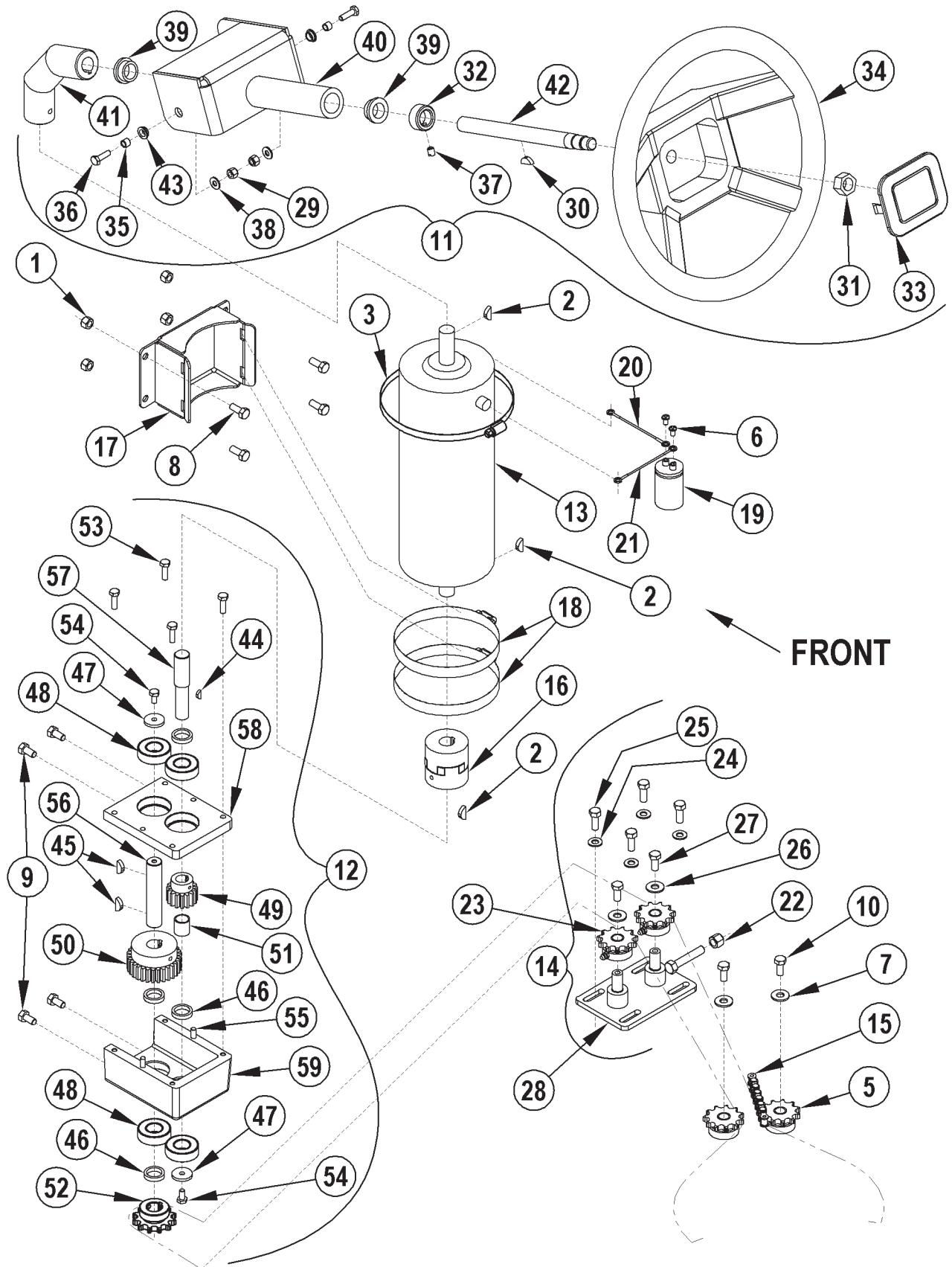
Captor™ 4300B, 4800B / CR 1100B, CR 1200B**E****15.3.1****55**

Item	Ref. No.	Qty	Description
1	56002701	4	Nut, Hex Nyl Loc 5/16-18
2	56002769	4	Nut, Hex Nyl Loc 3/8-16
3	56002770	12	Nut, Hex Nyl Loc 1/2-13
4	56367206	8	Bushing
5	56453907	2	Weight Casting
6	56001995	8	Scr, Hex Hd 1/2-13 x 1.75
7	56002063	2	Wsh, Flt SAE 3/8
8	56002221	4	Scr, Hex Hd 5/16-18 x 1.00
9	56002684	4	Scr, Hex Hd 3/8-16 x 1.75
10	56003272	6	Nut, Hex Jam SS 5/8-11
11	56003644	2	Pin, Cotter Hair .120 x .5
12	56003656	2	Clevis Pin .375 x 2.25
13	56009017	8	Wsh, Flt Harden .516 x .938 x .75
14	56009022	8	Wsh, Flt .754 x 1.250 x .120
15	56303117	2	Mount, Squeegee Actuator
16	56303174	1	Squeegee Mount Weldment
17	56303360	1	Actuator 36V, Squeegee Lift
18	56304157	2	Bracket Deck Tower Mount
19	56304266	2	Wheel, Caster
20	56304586	8	Bearing .750 x .625 x .500
21	56303460	1	48 in. Squeegee Assembly (see Squeegee Assembly)
22	56305467	2	Arm Parallel 7.5 in.
23	56305610	2	Arm, Adjustable Assembly (items 24-27)
24	56002773	1	Nut, Hex Nyl Loc 1/2-20
25	56003672	1	Scr, Hex Thd to Hd 1/2-20 x 2.50 Grd 8
26	56305608	1	Arm, Adjustable
27	56305609	1	Arm, Adjustable Threaded

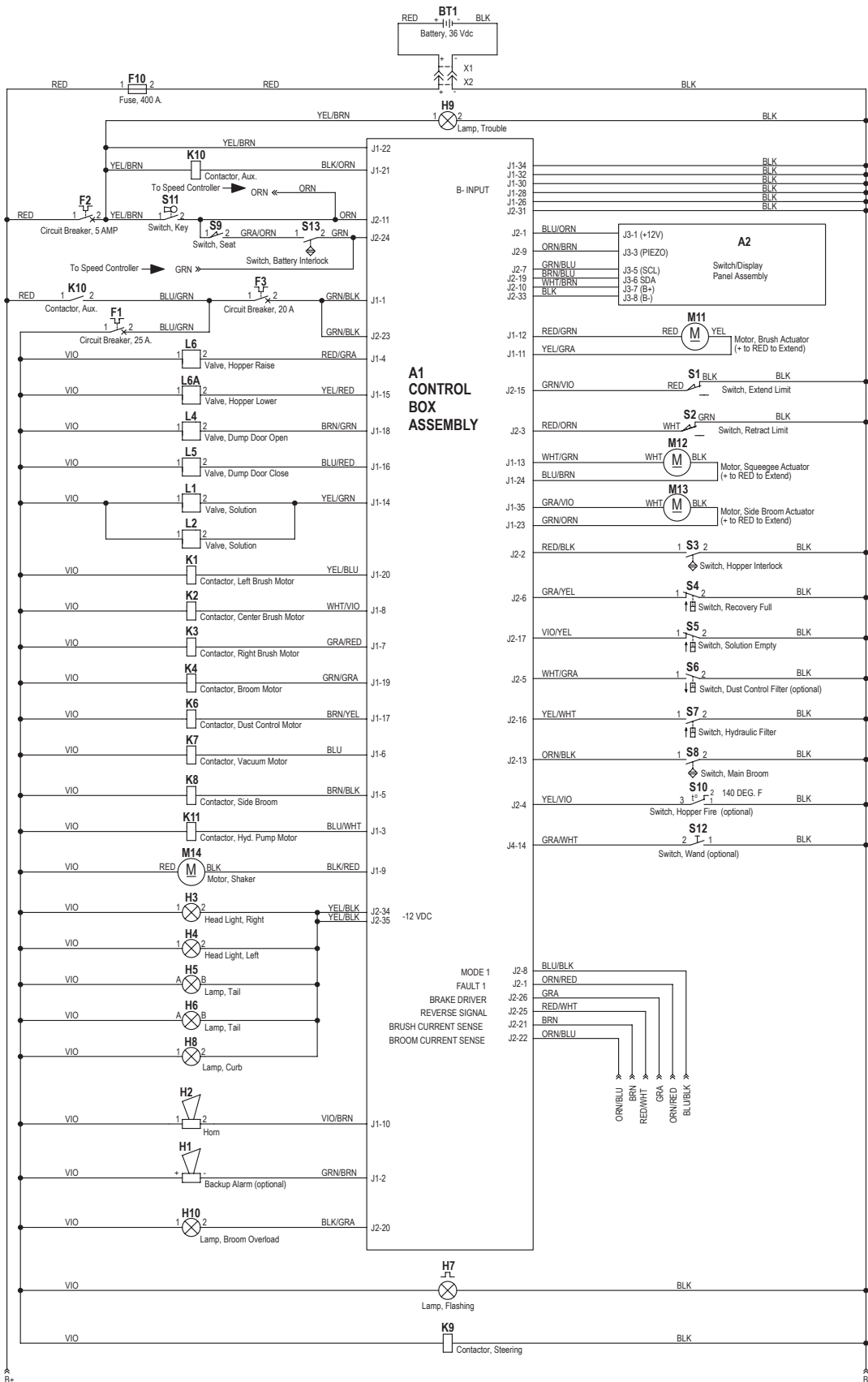


Item	Ref. No.	Qty	Description
	56303459	1	43 in. Squeegee Assembly
	56303460	1	48 in. Squeegee Assembly
1	56002964	2	Nut, Hex Nyl Loc-Thin SS 6-32
2	56009048	15	Nut, Wing Loc 1/4-20
3	56386127	2	Wheel 3.00 x 1.25
4	56459281	1	Gasket, Inlet
5	56471194	1	Latch Assembly
6	56002909	2	Scr, Pan Phil SS 6-32 x .38
7	56003120	2	Pin, Cotter Hair .0915 x .375
8	56003620	2	Clevis Pin
9	56304937	1	43 in. Squeegee Weldment
	56304953	1	48 in. Squeegee Weldment
10	56305808	1	Strap, 43 in. Rear Left Blade
	56304962	1	Strap, 48 in. Rear Left Blade
11	56305807	1	Strap, 43 in. Rear Right Blade
	56304963	1	Strap, 48 in. Rear Right Blade
12	56305806	1	Strap, Front Blade 43 in.
	56304964	1	Strap, Front Blade 48 in.
13	56303471	1	Squeegee Blade Kit 43 (contains both front and rear blades)
	56303472	1	Squeegee Blade Kit 48 (contains both front and rear blades)
14			Intentionally Omitted
15	56305373	1	Adapter, Squeegee
16	56305616	2	Crank Assembly (items 18-21)
17	56407510	2	Knob, 5/16-18 Nyloc
18	56002024	1	Wsh, Flt Std 7/16
19	56003032	1	Scr, Hex Hd Loc 1/2-13 x .75
20	56305614	1	Crank Handle
21	56305615	1	Crank Hex
**	56303469	1	Neoprene Squeegee Blade Kit 43 (contains both front and rear blades)
**	56303470	1	Neoprene Squeegee Blade Kit 48 (contains both front and rear blades)

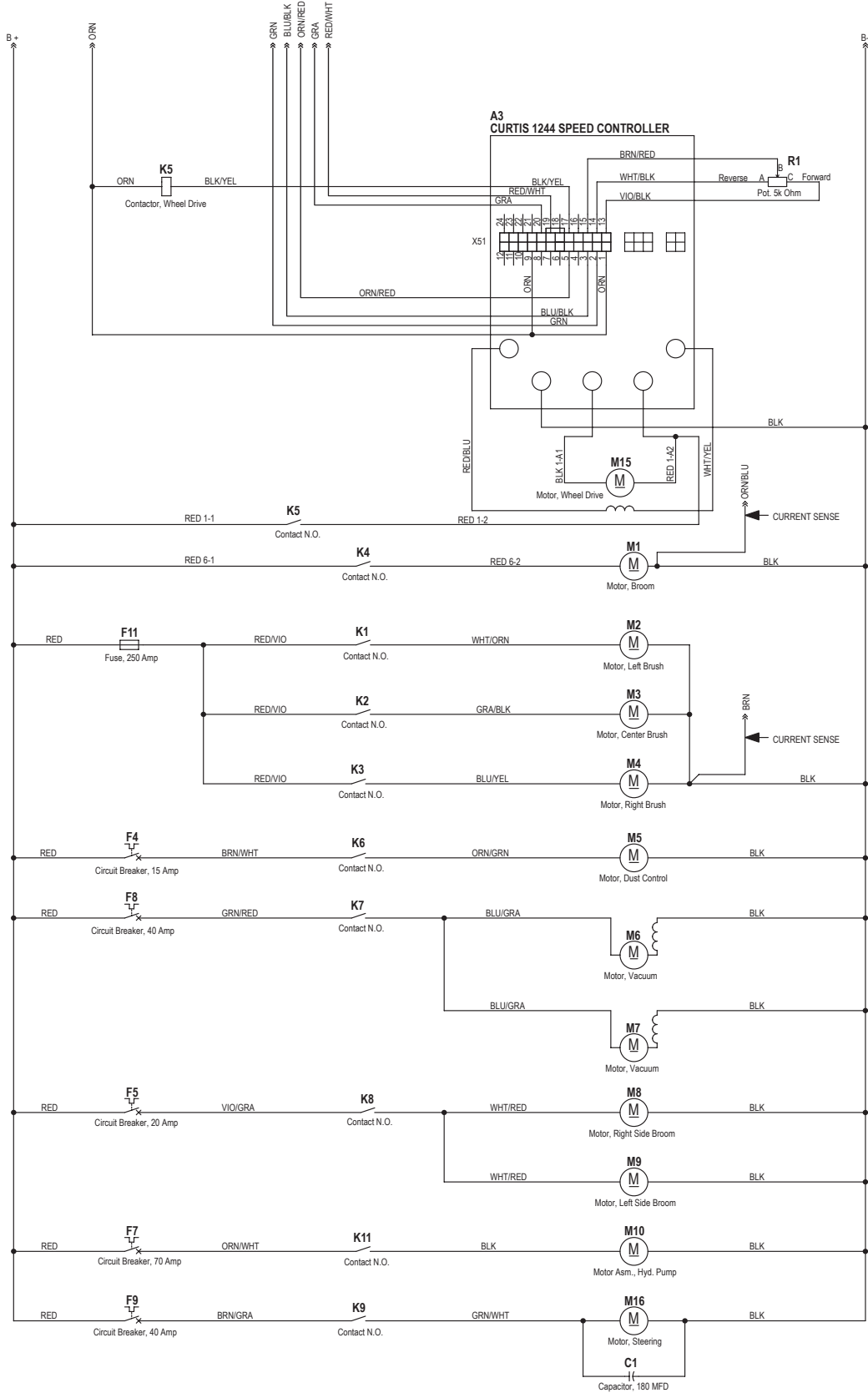
** = Optional



Item	Ref. No.	Qty	Description	Item	Ref. No.	Qty	Description
1	56002701	4	Nut, Hex Nyl Loc 5/16-18	44	56003226	1	Key, WDF .50 x .12
2	56003228	3	Key, Wdf .75 x .19	45	56003228	2	Key, WDF .75 x .19
3	56355488	1	Clamp, Hose SAE #96	46	56366315	4	Spacer
4			Intentionally Omitted	47	56388766	2	Washer, Balance-12.5 Gr.
5	56454079	2	Sprocket Assembly	48	56416038	4	Bearing, Ball
6	56002001	2	Scr, Pan Phil (UNF) 10-32 x .38	49	56416539	1	Gear, Spur
7	56002220	2	Wsh, Flt Std 5/16	50	56416540	1	Gear, Spur
8	56002667	4	Scr, Hex Hd 5/16-18 x .75	51	56416557	1	Sleeve
9	56002929	4	Scr, Hex Hd Loc 5/16-18 x .62	52	56303379	1	Sprocket, 12 Tooth
10	56002956	2	Scr, Hex Hd Loc 5/16-18 x .75	53	56001821	4	Scr, Hex Hd 1/4-20 x .88
11	56303021	1	Steering Assembly (items 29-43)	54	56003039	2	Scr, Hex Hd Loc 1/4-20 x .50
12	56303072	1	Steering Column Assembly (items 44-59)	55	56003224	2	Pin, Dwl Std .25 x 1.25
13	56303073	1	Power Steering Unit - ZTA35	56	56303101	1	Shaft, Steering
14	56303108	1	Tensioner Assembly (items 22-28)	57	56303102	1	Shaft, Steering
15	56303133	1	Chain, Roller Upper	58	56303210	1	Cover, Steering Block
16	56303536	1	Coupler Assembly (before SN1784445)	59	56303246	1	Steering Gear Mount
	56303535	1	Coupler, Machined				
	56002119	1	Scr, Soc Set Loc 1/4-20 x .50				
	56303244	1	Coupler, Elastimer				
	56303243	1	Coupler, Steering Shaft				
	56303245	1	Coupler Assembly (after SN1784444)				
	56303243	2	Coupler, Steering Shaft				
	56303244	1	Coupler, Elastimer				
17	56303247	1	Bracket, Power Steering Unit				
18	56303323	2	Clamp, Hose Heavy Duty				
19	56303337	1	Capacitor, Torque Amplifier				
20	56303351	1	Wire Assembly, Blk 18 AWG (3.25")				
21	56303352	1	Wire Assembly, Grn/Wht 18 AWG (3.25")				
22	56002769	1	Nut, Hex Nyl Loc 3/8-16				
23	56454079	2	Sprocket Assembly				
24	56001939	4	Wsh, Flt SAE 5/16				
25	56002037	4	Scr, Hex Hd 5/16-18 x .88				
26	56002220	2	Wsh, Flt Std 5/16				
27	56002956	2	Scr, Hex Hd Loc 5/16-18 x .75				
28	56303224	1	Tensioner Weldment				
29	56002708	2	Nut, Hex Nyl Loc 1/4-20				
30	56003228	1	Key, Wdf .75 x .19				
31	56003440	1	Nut, Steering Wheel				
32	56367095	1	Collar, Shaft				
33	56418459	1	Cap, Steering Wheel				
34	56418460	1	Steering Wheel				
35	56453849	2	Bushing .26 x .37 x .28				
36	56001821	2	Scr, Hex Hd 1/4-20 x .88				
37	56002021	1	Scr, Soc Set Loc 5/16-18 x .38				
38	56002098	2	Wsh, Flt SAE 1/4				
39	56303024	2	Bearing, FL 1.000 x .750 x .500				
40	56303027	1	Steering Mount Weldment				
41	56303539	1	Universal Joint Assy (before SN1784445)				
	56303075	1	Universal Shaft, Double (after SN1784444)				
42	56303211	1	Shaft, Steering Wheel				
43	56304518	2	Bearing, FL .500 x .375 x .188				



Item	Ref. No.	Qty	Description
A1	56303201	1	Control Box Assembly
A2	56303374	1	Switch/Display Panel Assembly
BT1	N/A	1	Battery 36Vdc
F1	56469788	1	Circuit Breaker, 25 Amp (Auxiliary Circuit 1)
F2	56387328	1	Circuit Breaker, 5 Amp (Auxiliary Circuit 2)
F3	56395454	1	Circuit Breaker, 20 Amp (Auxiliary Circuit 3)
F10	56303297	1	Fuse, 400 Amp (Main)
H1	N/A	1	Backup Alarm (optional)
H2	56482365	1	Horn
H3	56304768	1	Headlight, Right
H4	56304768	1	Headlight, Left
H5	56305237	1	Lamp, Tail
H6	56305237	1	Lamp, Tail
H7	N/A	1	Lamp, Flashing (optional)
H8	N/A	1	Lamp, Curb (optional)
H9	56303353	1	Lamp, Trouble (optional)
H10	56303350	1	Lamp, Broom Overload
K1	56395450	1	Contactor, Left Brush Motor
K2	56395450	1	Contactor, Center Brush Motor
K3	56395450	1	Contactor, Right Brush Motor
K4	56303198	1	Contactor, Broom Motor
K6	56395450	1	Contactor, Dust Control Motor
K7	56395450	1	Contactor, Vacuum Motor
K8	56395450	1	Contactor, Side Broom
K9	56395450	1	Contactor, Steering
K10	56395450	1	Contactor, Auxiliary
K11	56303434	1	Contactor, Hydraulic Pump Motor
L1	56303189	1	Valve, Solution
L2	56303189	1	Valve, Solution
L4	56303435	1	Valve, Dump Door Open
L5	56303436	1	Valve, Dump Door Close
L6	56303437	1	Valve, Hopper Raise
L6A	56303437	1	Valve, Hopper Lower
M11	56303095	1	Motor, Brush Actuator
M12	56303360	1	Motor, Squeegee Actuator
M13	56303119	1	Motor, Side Broom Actuator
M14	56467307	1	Motor, Shaker
S1	N/A	1	Switch, Extend Limit
S2	N/A	1	Switch, Retract Limit
S3	56305053	1	Switch, Hopper Interlock
S4	56305977	1	Switch, Recovery Full TSBUS2005-875
S5	56305032	1	Switch, Solution Empty
S6	N/A	1	Switch, Dust Control Filter (optional)
S7	56418994	1	Switch, Hydraulic Filter
S8	56305053	1	Switch, Main Broom
S9	N/A	1	Switch, Seat
S10	N/A	1	Switch, Hopper Fire (optional)
S11	56315194	1	Switch, Key TSBUS2004-873
S12	56209321	1	Switch, Wand (optional)
S13	56305053	1	Switch, Battery Interlock

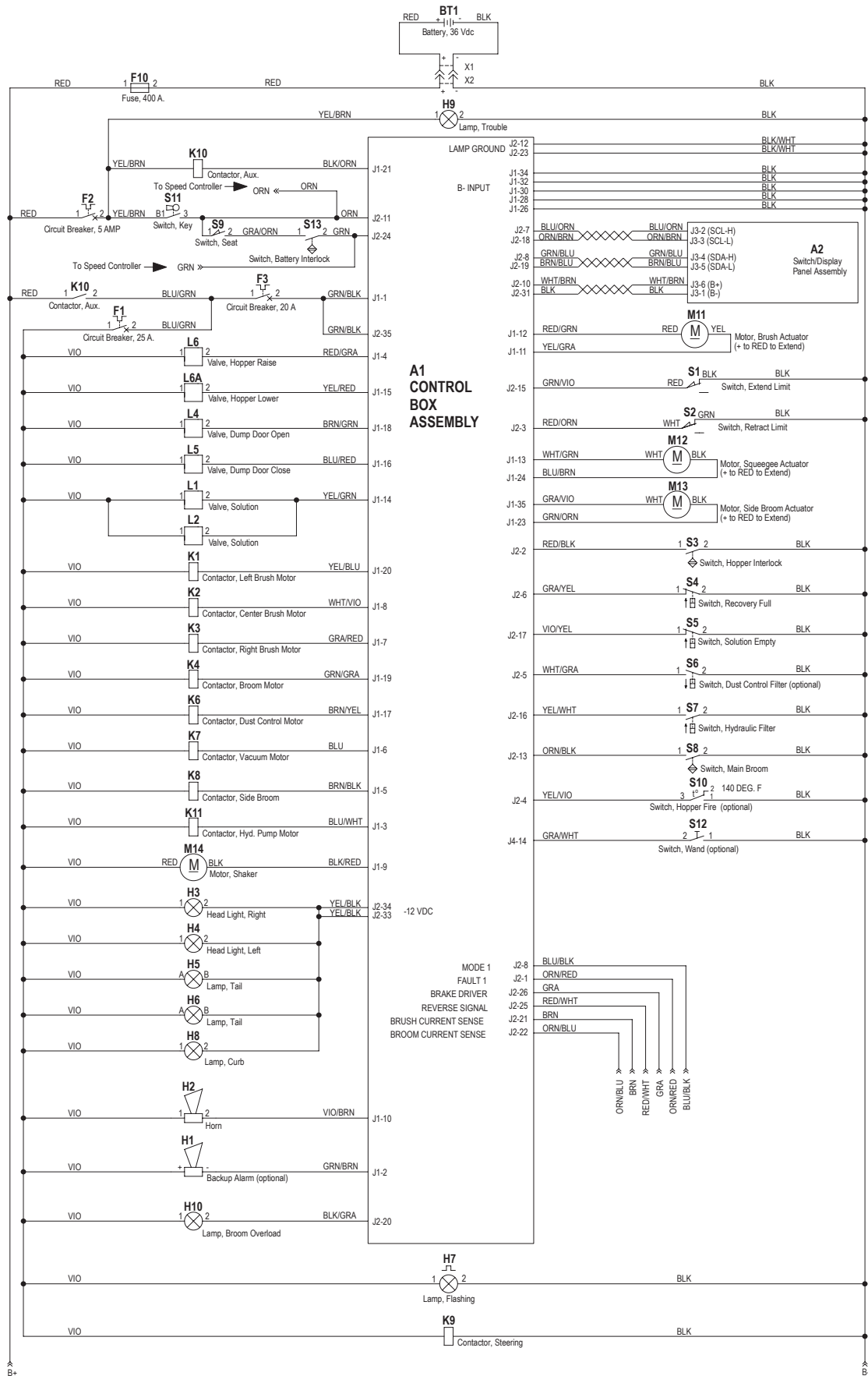


Item	Ref. No.	Qty	Description
A3	56303197	1	Curtis 1244 Speed Controller
C1	56303337	1	Capacitor, 180 MFD
F4	56454538	1	Circuit Breaker, 15 Amp (Dust Control)
F5	56395454	1	Circuit Breaker, 20 Amp (Side Brooms)
F7	56303301	1	Circuit Breaker, 70 Amp (Hydraulic Pump))
F8	56303299	1	Circuit Breaker, 40 Amp (Vacuum Motors)
F9	56303299	1	Circuit Breaker, 40 Amp (Power Steering)
F11	56410044	1	Fuse, 250 Amp (Brush Motors)
K1	56395450	1	Contact N.O. (Left Brush)
K2	56395450	1	Contact N.O. (Center Brush)
K3	56395450	1	Contact N.O. (Right Brush)
K4	56303198	1	Contact N.O. (Main Broom)
K5	56303198	1	Contact N.O. (Drive Wheel)
K6	56395450	1	Contact N.O. (Dust Control)
K7	56395450	1	Contact N.O. (Vacuum)
K8	56395450	1	Contact N.O. (Side Brooms)
K9	56395450	1	Contact N.O. (Steering)
K11	56303434	1	Contact N.O. (Hydraulic Pump Motor)
M1	56303039	1	Motor, Broom 2.0 HP
*	56303419	4	Replacement Carbon Brushes
*	56303444	4	Replacement Spring
M2	56303083	1	Motor, Left Brush
*	56303419	4	Replacement Carbon Brushes
*	56303444	4	Replacement Spring
M3	56303083	1	Motor, Center Brush
*	56303419	4	Replacement Carbon Brushes
*	56303444	4	Replacement Spring
M4	56303083	1	Motor, Right Brush
*	56303419	4	Replacement Carbon Brushes
*	56303444	4	Replacement Spring
M5	56416020	1	Motor, Dust Control
	56416595	1	Carbon Brush Set
M6	56410065	1	Motor, Vacuum
*	56212223	1	Carbon Brush Set
M7	56410065	1	Motor, Vacuum
*	56212223	1	Carbon Brush Set
M8	56416578	1	Motor, Right Side Broom NOTE 1
	56303442	1	Motor, Right Side Broom NOTE 2
*	56416608	1	Carbon Brush Set
M9	56410307	1	Motor, Left Side Broom NOTE 1
	56303443	1	Motor, Left Side Broom NOTE 2
*	56416608	1	Carbon Brush Set
M10	56303040	1	Motor, Assembly, Hydraulic Pump
*	56303433	1	Brush and Spring Kit
M15	56303033	1	Motor, Wheel Drive
*	56303426	4	Replacement Carbon Brushes
*	56409746	4	Replacement Brush Spring
M16	56303073	1	Motor, Steering
R1	56303313	1	Potentiometer, 5K Ohm

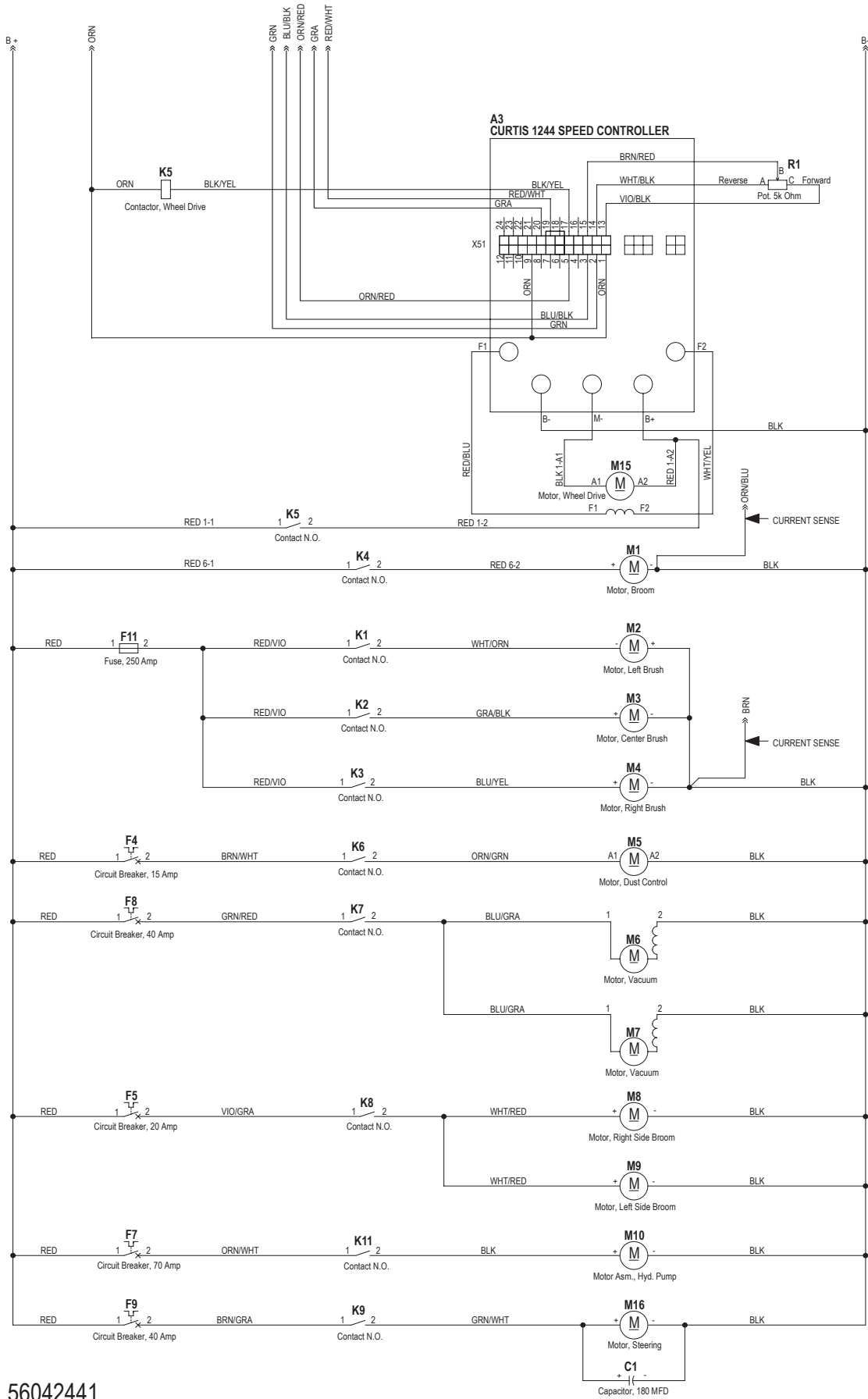
* = Not Shown

NOTE 1: Used on machines built before May 2004.

NOTE 2: Used on machines built after April 2004.



Item	Ref. No.	Qty	Description
A1	56303543	1	Control Box Assembly
A2	56303552	1	Switch/Display Panel Assembly
BT1	N/A	1	Battery 36Vdc
F1	56469788	1	Circuit Breaker, 25 Amp (Auxiliary Circuit 1)
F2	56387328	1	Circuit Breaker, 5 Amp (Auxiliary Circuit 2)
F3	56395454	1	Circuit Breaker, 20 Amp (Auxiliary Circuit 3)
F10	56303297	1	Fuse, 400 Amp (Main)
H1	N/A	1	Backup Alarm (optional)
H2	56482365	1	Horn
H3	56304768	1	Headlight, Right
H4	56304768	1	Headlight, Left
H5	56305237	1	Lamp, Tail
H6	56305237	1	Lamp, Tail
H7	N/A	1	Lamp, Flashing (optional)
H8	N/A	1	Lamp, Curb (optional)
H9	56303353	1	Lamp, Trouble (optional)
H10	56303350	1	Lamp, Broom Overload
K1	56395450	1	Contactor, Left Brush Motor
K2	56395450	1	Contactor, Center Brush Motor
K3	56395450	1	Contactor, Right Brush Motor
K4	56303198	1	Contactor, Broom Motor
K6	56395450	1	Contactor, Dust Control Motor
K7	56395450	1	Contactor, Vacuum Motor
K8	56395450	1	Contactor, Side Broom
K9	56395450	1	Contactor, Steering
K10	56395450	1	Contactor, Auxiliary
K11	56303434	1	Contactor, Hydraulic Pump Motor
L1	56303189	1	Valve, Solution
L2	56303189	1	Valve, Solution
L4	56303435	1	Valve, Dump Door Open
L5	56303436	1	Valve, Dump Door Close
L6	56303437	1	Valve, Hopper Raise
L6A	56303437	1	Valve, Hopper Lower
M11	56303095	1	Motor, Brush Actuator
M12	56303360	1	Motor, Squeegee Actuator
M13	56303119	1	Motor, Side Broom Actuator
M14	56467307	1	Motor, Shaker
S1	N/A	1	Switch, Extend Limit
S2	N/A	1	Switch, Retract Limit
S3	56305053	1	Switch, Hopper Interlock
S4	56305977	1	Switch, Recovery Full TSBUS2005-875
S5	56305032	1	Switch, Solution Empty
S6	N/A	1	Switch, Dust Control Filter (optional)
S7	56418994	1	Switch, Hydraulic Filter
S8	56305053	1	Switch, Main Broom
S9	N/A	1	Switch, Seat
S10	N/A	1	Switch, Hopper Fire (optional)
S11	56303553	1	Switch, Key TSBUS2004-873
S12	56209321	1	Switch, Wand (optional)
S13	56305053	1	Switch, Battery Interlock

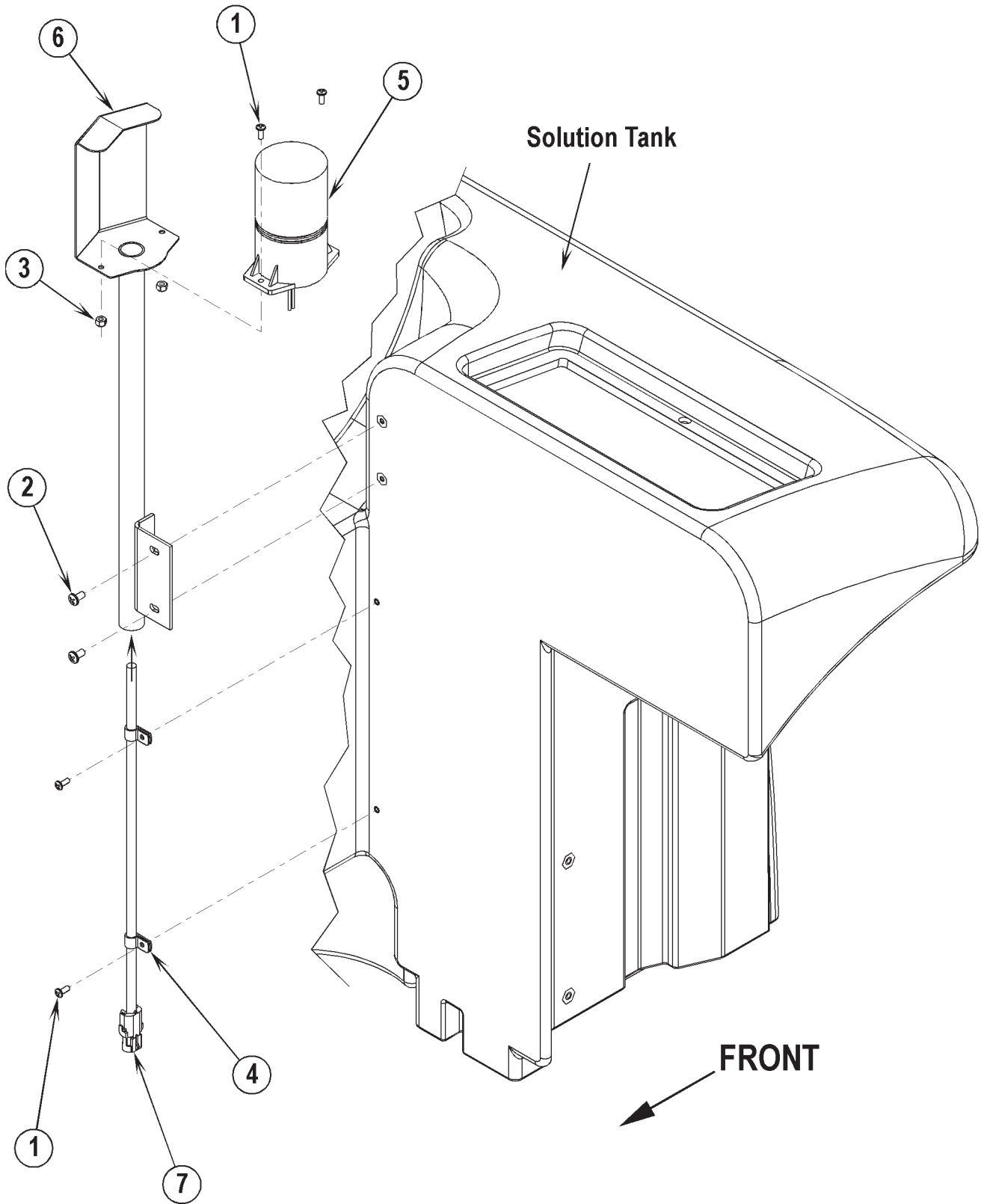


Item	Ref. No.	Qty	Description
A3	56303197	1	Curtis 1244 Speed Controller
C1	56303337	1	Capacitor, 180 MFD
F4	56454538	1	Circuit Breaker, 15 Amp (Dust Control)
F5	56395454	1	Circuit Breaker, 20 Amp (Side Brooms)
F7	56303301	1	Circuit Breaker, 70 Amp (Hydraulic Pump))
F8	56303299	1	Circuit Breaker, 40 Amp (Vacuum Motors)
F9	56303299	1	Circuit Breaker, 40 Amp (Power Steering)
F11	56410044	1	Fuse, 250 Amp (Brush Motors)
K1	56395450	1	Contact N.O. (Left Brush)
K2	56395450	1	Contact N.O. (Center Brush)
K3	56395450	1	Contact N.O. (Right Brush)
K4	56303198	1	Contact N.O. (Main Broom)
K5	56303198	1	Contact N.O. (Drive Wheel)
K6	56395450	1	Contact N.O. (Dust Control)
K7	56395450	1	Contact N.O. (Vacuum)
K8	56395450	1	Contact N.O. (Side Brooms)
K9	56395450	1	Contact N.O. (Steering)
K11	56303434	1	Contact N.O. (Hydraulic Pump Motor)
M1	56303039	1	Motor, Broom 2.0 HP
*	56303419	4	Replacement Carbon Brushes
*	56303444	4	Replacement Spring
M2	56303083	1	Motor, Left Brush
*	56303419	4	Replacement Carbon Brushes
*	56303444	4	Replacement Spring
M3	56303083	1	Motor, Center Brush
*	56303419	4	Replacement Carbon Brushes
*	56303444	4	Replacement Spring
M4	56303083	1	Motor, Right Brush
*	56303419	4	Replacement Carbon Brushes
*	56303444	4	Replacement Spring
M5	56416020	1	Motor, Dust Control
	56416595	1	Carbon Brush Set
M6	56410065	1	Motor, Vacuum
*	56212223	1	Carbon Brush Set
M7	56410065	1	Motor, Vacuum
*	56212223	1	Carbon Brush Set
M8	56303442	1	Motor, Right Side Broom
*	56416608	1	Carbon Brush Set
M9	56303443	1	Motor, Left Side Broom
*	56416608	1	Carbon Brush Set
M10	56303040	1	Motor, Assembly, Hydraulic Pump
*	56303433	1	Brush and Spring Kit
M15	56303033	1	Motor, Wheel Drive
*	56303426	4	Replacement Carbon Brushes
*	56409746	4	Replacement Brush Spring
M16	56303073	1	Motor, Steering
R1	56303313	1	Potentiometer, 5K Ohm

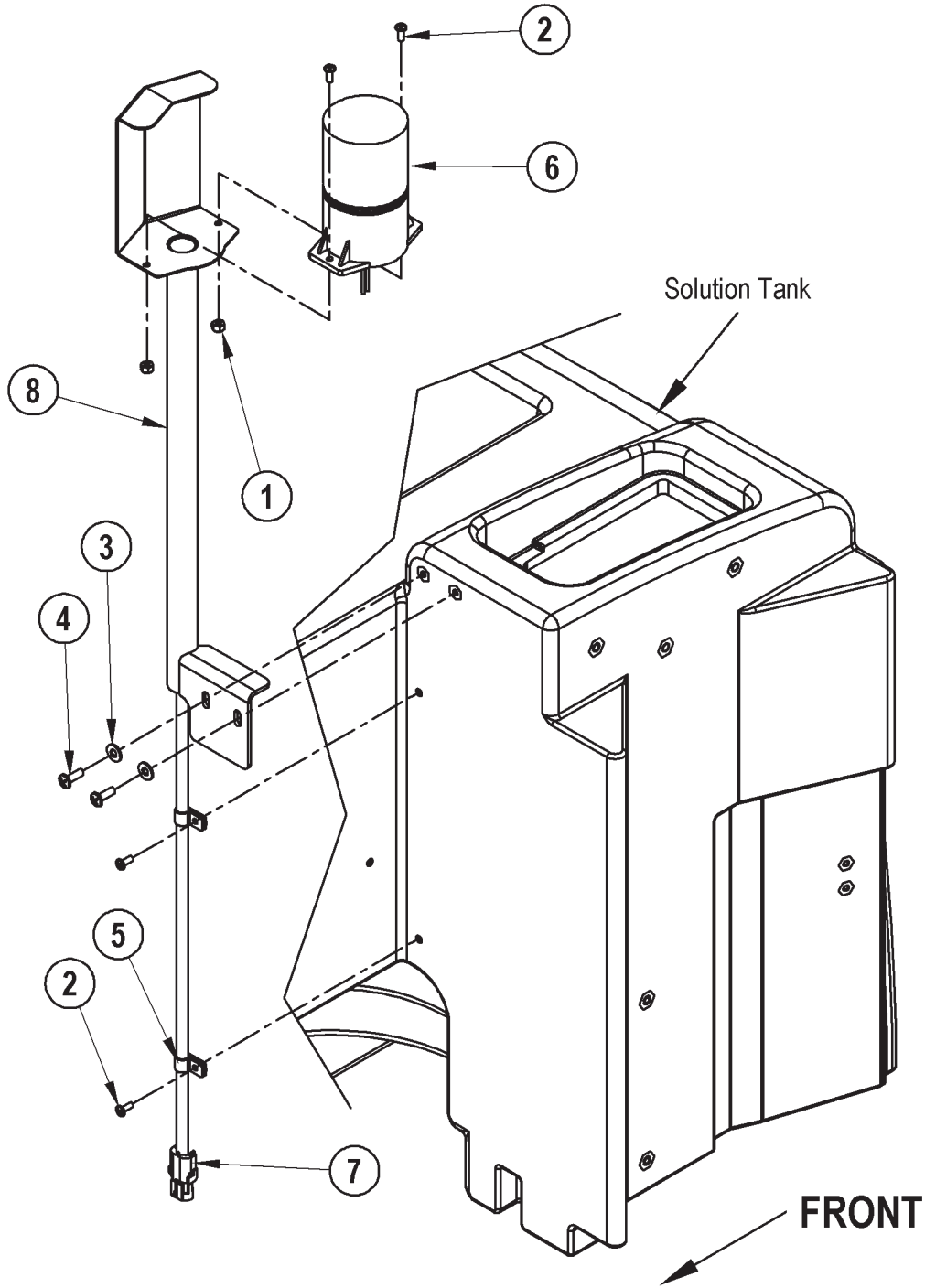
* = Not Shown

Item	Ref. No.	Qty	Description
Optional Kits (See Accessories Parts List 56042449 for an individual parts break down of each kit)			
**	56305509	1	Temperature Switch Kit
**	56303355	1	Backup Alarm Kit (Standard on Nilfisk models)
**	56305517	1	Hopper Filter Switch Kit
**	56305881	1	Beacon Kit (4300B / CR 1100B) (Standard on 43" Nilfisk models)
**	56305482	1	Beacon Kit (4800B / CR 1200B) (Standard on 48" & 54" Nilfisk models)
**	56305820	1	Solution Fill Shutoff Kit (4300B / CR 1100B)
**	56305896	1	Solution Fill Shutoff Kit (4800B / CR 1200B)
**	56305493	1	Tower Bumper Kit
**	56303362	1	Trouble Lamp Kit
**	56305530	1	Vacuum Wand Kit
**	56305637	1	Overhead Guard Kit
**	56305641	1	Curb Light Kit
**	56305494	1	Left Side Broom Guard Kit
**	56305495	1	Right Side Broom Guard Kit
**	56305652	1	Both Side Broom Guard Kit
**	56303431	1	Fire Extinguisher Kit
**	56305794	1	Pre-Filter Grid Kit
**	56419369	1	Seat Belt Kit
**	56303445	1	Main Broom Belt Kit
**	56303381	1	Deluxe Seat Kit
43" Squeegee Blade Kits (contains both front and rear blades)			
**	56303471	1	Squeegee Blade Kit 43
**	56303469	1	Neoprene Squeegee Blade Kit 43
48" Squeegee Blade Kits (contains both front and rear blades)			
**	56303472	1	Squeegee Blade Kit 48
**	56303470	1	Neoprene Squeegee Blade Kit 48
Side Blade Kits (All Models / contains 2 long blades & 2 short blades)			
**	56305697	1	Side Blade Kit
**	56305685	1	Neoprene Side Blade Kit
Optional Batteries			
**	56303054	1	Battery 36V 770 Amp Hr
**	56303055	1	Battery 36V 560 Amp Hr Sealed
**	56303056	1	Battery 36V 595 Amp Hr
**	56303057	1	Battery 36V 510 Amp Hr
Battery Accessories			
**	56303429	1	Cart, Battery Exchange
**	56303430	1	Rack, Battery Storage
Optional Chargers			
**	56303331	1	Charger 36V Scr, 1 Phase
**	56303332	1	Charger 36V Scr, 3 Phase
**	56303333	1	Charger 36V Ferro, 1 Phase
**	56303334	1	Charger 36V Ferro, 3 Phase

** = Optional Accessories



Item	Ref. No.	Qty	Description
	56305482		Beacon Kit (Standard on 48" & 54" Nilfisk Model)
	56040802	1	Instruction Sheet
1	56001993	4	Scr, Pan Phil 10-24 x .50
2	56002145	2	Scr, Pan Phil 1/4-20 x .50
3	56002768	2	Nut, Hex Nyl Loc 10-24
4	56172017	2	Clamp, P
5	56305223	1	Beacon, Warning
6	56305481	1	Tube Weldment
7	56305513	1	Harness, Beacon



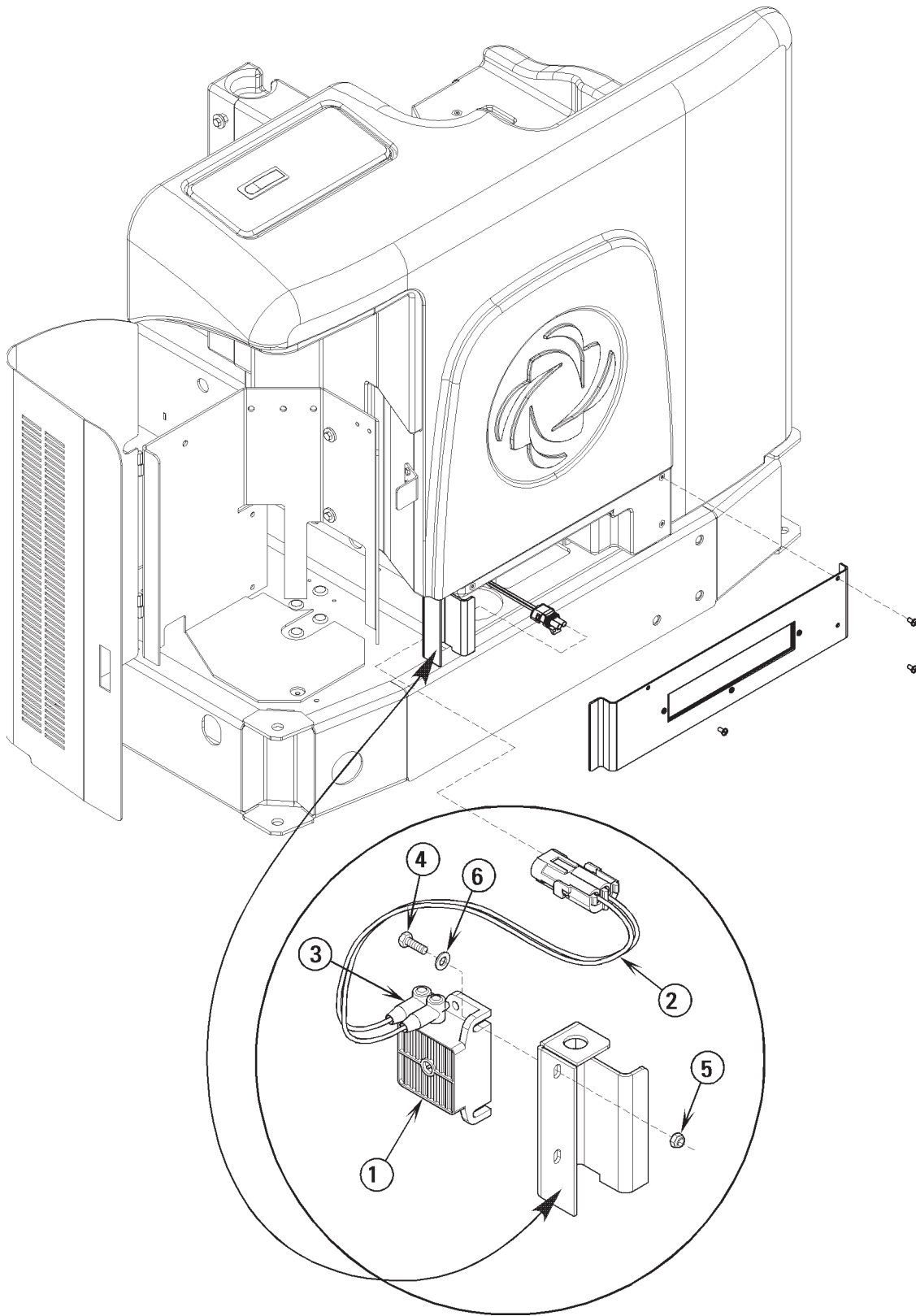
04-3

BEACON KIT (STANDARD ON NILFISK 43" MODELS)**BOOK E**

04-7

Captor™ 4300B, 4800B / CR 1100B, CR 1200B**E****15.3.1****73**

Item	Ref. No.	Qty	Description
	56305881		Beacon Kit (Standard on 43" Nilfisk Models)
	56040802	1	Instruction Sheet
1	56002768	2	Nut, Hex Nyl Loc 10-24
2	56001993	4	Scr, Pan Phil 10-24 x .50
3	56002098	2	Wsh, Flt SAE 1/4
4	56002507	2	Scr, Pan Phil 1/4-20 x .75
5	56172017	2	Clamp, P
6	56305223	1	Beacon, Warning
7	56305513	1	Harness, Beacon
8	56305883	1	Beacon Mount Weldmt



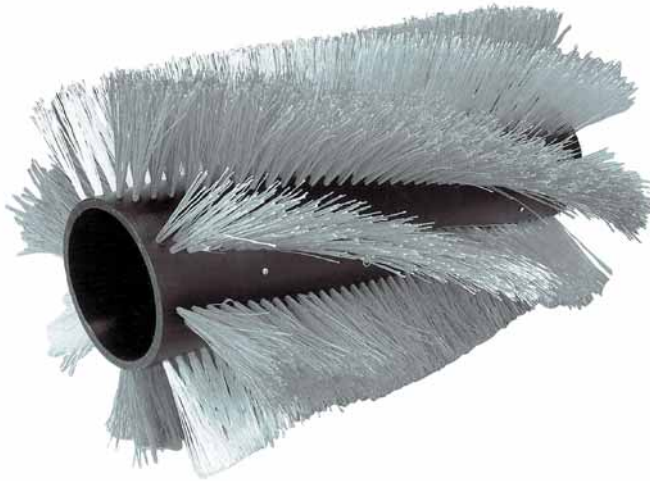
04-3

BACK-UP ALARM KIT (STANDARD ON NILFISK MODELS)**BOOK E**

04-9

Captor™ 4300B, 4800B / CR 1100B, CR 1200B**E****15.3.1****75**

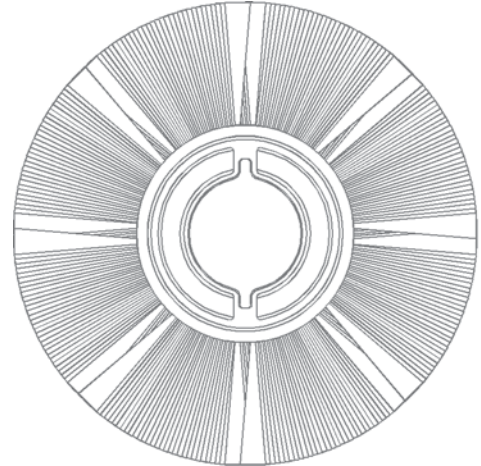
Item	Ref. No.	Qty	Description
	56303355		Back-Up Alarm Kit (Standard on Nilfisk Model)
	56040800	1	Instruction Sheet
1	56409232	1	Backup Alarm
2	56409495	1	Wire Assembly, Pigtail
3	56409538	2	Terminal Insulator
4	56002155	2	Scr, Hex 1/4-20 x .75
5	56002708	2	Nut, Hex Nyl Loc 1/4-20
6	56002098	2	Wsh, Flt 1/4



8 Double Row

Length.....40" (101.6 cm)

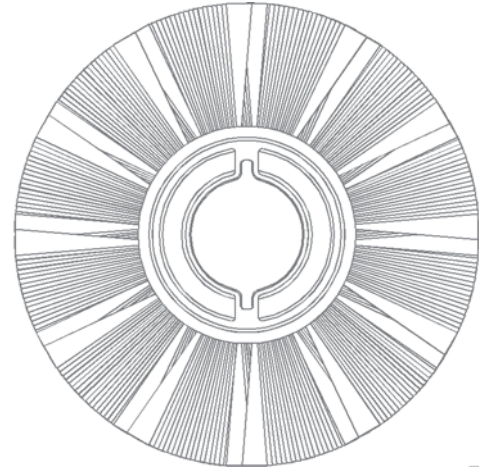
Diameter14" (35.56 cm)



12 Double Row

Length.....40" (101.6 cm)

Diameter14" (35.56 cm)



Main Broom:

PN56505955 Proex & Wire (STD.) (8 Double Rows)

This broom has a more aggressive cleaning action, used to pick up heavier debris.

PN56505956 Prolene (Optional) (8 Double Rows)

A top quality synthetic fiber. This filament is made for a wide variety of applications. Retains its stiffness when wet and resists abrasive chemicals, solvents and oils. A general purpose material offering high performance for a wide range of applications.

PN56505953 Nylon (Optional) (8 Double Rows)

General purpose broom that can be used for all types of light soil. High wear material so uneven surfaces do not cause excessive wear. Nylon has a high heat deflection temperature, is chemical resistant and will absorb water in wet conditions. Truly a general purpose broom.

PN56505952 Proex (Optional) (12 Double Rows)

PN56505954 Proex (Optional) (8 Double Rows)

Synthetic fiber made of polypropylene designed to pick up paper, gravel, sand and other lighter less bulky litter.

PN56505951 Poly/Wire (Optional) (8 Double Rows)

Side Broom:

PN56462252 Polypropylene (STD.)

The side broom function is to sweep the dirt and debris away from the curb, wall, pallet, etc. into the path of the main broom.



Diameter20" (50.8 cm)

We provide brushes and pad holders that will give you the best possible performance between machine and floor. Following are descriptions of the materials and their applications when used on the CR .

Union Mix:	Medium grade natural fibers for polishing finished floors with standard-speed equipment. Recommended for use in place of white pads.
ProLite:	Bristles are made from light-duty polypropylene for general scrubbing when you do not want to scratch or remove finish from the floor. Recommended for use in place of red pads.
Prolene:	Polypropylene material for medium-duty scrubbing on concrete, terrazzo and vinyl floor tile. Recommended for use in place of green or blue pads.
Magna Grit:	For extreme heavy-duty scrubbing or stripping of floors. This brush has extra large diameter silicon carbide grit impregnated synthetic bristles. Recommended for use in place of black pads.
Dyna Grit:	For aggressive, heavy-duty scrubbing or stripping of floors. Recommended for use in place of brown pads.
MidLite Grit:	For general purpose scrubbing of sealed or unsealed concrete, stone, terrazzo, quarry tile and other resilient hard floor surfaces. Recommended for use in place of green or blue pads.
MidGrit:	For general purpose scrubbing when you need a lighter action for sealed or unsealed concrete, stone, terrazzo, quarry tile and other resilient hard floor surfaces. Recommended for use in place of green or blue pads.
AgLite Grit:	For light scrubbing when used wet; buffing or polishing when used dry on urethane coated, sealed concrete or other resilient hard surface floors. Recommended for use in place of red or white pads.
Short Trim	
Pad Holder:	Made with a structural foam block and center ring for correct pad centering. It has a "shower feed" design for getting solution to the floor.

43" BRUSHES

56505946 - Union Mix
 56505944 - Prolene
 56505942 - Dyna Grit
 56505947 - MidGrit
 56505940 - Short Trim Pad Holder
 56505945 - ProLite
 56505941 - Magna Grit
 56505948 - MidLite Grit (std)
 56505943 - AgLite Grit

48" BRUSHES

56505786 - Union Mix
 56505784 - Prolene
 56505782 - Dyna Grit
 56505787 - MidGrit
 56505780 - Short Trim Pad Holder
 56505785 - ProLite
 56505781 - Magna Grit
 56505788 - MidLite Grit (std)
 56505783 - AgLite Grit

DISC BRUSH APPLICATION GUIDE (SUGGESTION ONLY)

Application	46 Grit	80 Grit	180 Grit	240 Grit	500 Grit	Prolene	Prolite	Union Mix
Stripping:								
Concrete	X	X						
Terrazzo	X	X						
Ceramic/Quarry tile		X						
Vinyl tile		X						
General Scrubbing:								
Concrete	X	X	X	X		X		
Terrazzo			X	X	X	X		
Ceramic/Quarry tile			X	X	X	X		
Marble					X		X	
Vinyl tile			X		X	X		
Raised-rubber tile					X		X	
Polishing:								
Raised Disc Tile								X
Marble								X
Vinyl tile								X

Austria (Sales Sub)

Nilfisk-Advance GmbH Phone: +43
Voralberger Allee 46 1616 58 30 22
A-1230 Wien Fax: +43
info@nilfisk-advance.at 1616 58 30 40
www.nilfisk-advance.at

Belgium (Sales Sub)

Nilfisk-Advance NV/SA Phone: +32
Doornveld Sphere Business Park (0)2467 60 50
Industrie Asse 3, No. 11 Fax: +32
B-1731 Zellik-Asse (0)2463 44 16
www.nilfisk-advance.be

Czech Republic (Sales Sub)

Nilfisk-Advance s.r.o. Phone: +420
Lysinská 44/1863 2 44 09 09 12
143 00 Praha - Modrany +420
Czech Republic 2 44 09 09 21 4
Fax: +420
2 44 40 23 93

Denmark

Nilfisk-Advance A/S Phone: +45
Sognevej 25 43 23 81 00
DK-2605 Brøndby Fax: +45
mail@nilfisk-advance.dk 43 43 77 00
www.nilfisk-advance.com

Denmark (Prod. Sub)

Gerni A/S Phone: +45
Myntevej 2 89 12 22 00
DK-8900 Randers Fax: +45
www.gerni.com 86 43 14 81

Denmark (Sales Sub)

Nilfisk-Advance Nordic A/S Phone: +45
Sognevej 25A 43 23 40 50
Postbox 344 Fax: +45
DK-2605 Brøndby 43 23 40 60
kundeservice@nilfisk-advance.dk
www.nilfisk-advance.dk

France (Sales Sub)

Nilfisk-Advance S.A. Phone: +33
27 avenue de la Baltique 1695 98 700
Villebon sur Yvette Fax: +33
P.B. 246 1695 98 701
F-91944 Courtaboeuf Cedex
info@nilfisk-advance.fr
www.nilfisk-advance.fr

Germany (Sales Sub)

Nilfisk-Advance AG Phone: +49
Siemensstrasse 25-27 4101 3990
Postfach 1361 Fax: +49
D-25462 Rellingen 4101 39 91 91
info@nilfisk-advance.de
www.nilfisk-advance.de

Greece (Sales Sub)

Nilfisk-Advance A.E. Tel.: +30
8, Thoukididou Str. 210 963 3443
Argioupoli Fax: +30
Gr - 164 52 Athens 210 965 0975
Greece

Holland (Sales Sub)

Nilfisk-Advance B.V. Phone: +31
Camerastraat 9 (2e verdieping) 36 546 07 00
1322 BB Almere Fax: +31
Postbus 60112 36 523 51 48
1320 AC Almere
www.nilfisk-advance.nl

Ireland (Sales Sub)

Nilfisk-Advance Limited Phone: +35
28 Sandyford Office Park 3 12 94 38 38
Sandyford, Dublin 18 Fax: +35
Ireland 3 12 94 38 45

Italy (Prod & Sales Sub)

CFM SpA Phone: +39
Nilfisk-Advance Div. Guardamiglio 0377 /414021
Localita Novella III /45 1124
I-26862 Guardamiglio (Mi) Fax: +39
0377 51 443

Italy (Prod & Sales Sub)

CFM S.p.A. Phone: +39
Via Porrettana 1991 059 973 0000
I-41059 Zocca (Modena) Fax: +39
cfm@cfm.it 059 973 0099

Norway (Sales Sub)

Nilfisk-Advance AS Phone: +47
Ulvenveien 89C 23 06 75 00
N-0581 Oslo Fax: +47
23 06 75 01

Poland (Sales Sub)

Nilfisk-Advance Sp.Z.O.O. Phone: +48
05-800 Pruszków 22 738 37 50
ul. 3-go MAJA 8 Fax: +48
Poland 22 738 37 51

Portugal (Sales Sub)

Nilfisk-Advance, Lda. Phone: +35
Sintra Business Park 121 911 2670
Zona Industrial Da Abrunheira Fax: +35
Edificio 1, 1o A 121 911 2679
P-2710-089 Sintra

Russia (Sales Sub)

Nilfisk-Advance LLC Phone: 7
Vyatskaya str. 27, bld. 7 095 783 9602
127015 Moscow Fax: +7
Russia 095 783 9603

Spain (Sales Sub)

Nilfisk-Advance S.A. Phone: +34
Torre D'Ara 93 741 2400
Passeig del Rengle, 5 Pl.10 Fax: +34
E-08302 Mataró (Barcelona) 93 757 8020
nilfisk@nilfisk-advance.es

Sweden (Sales Sub)

Nilfisk -Advance A/S Phone: +46
Sjöbjörnsvägen 5 8555 94400
Box 44045 Fax: +46
S-100 73 Stockholm 8555 94430
info@nilfisk-advance.se
www.nilfisk-advance.se

Sweden (Prod.)

Nilfisk-Advance A/S	Phone: +46
Åmål Branch	5321 7500
Strömsbergsgatan	Fax: +46
Box 127	5321 7595
S-662 23 Åmål	

Switzerland (Sales Sub)

Nilfisk-Advance AG	Phone: +41
Ringsstrasse 19	71 92 38 444
Kirchberg/Industrie Stelzl	Fax: +41
CH-9500 Wil	71 92 35 283
www.nilfisk-advance.ch	

UK (Sales Sub)

Nilfisk-Advance Limited	Phone: +44
Newmarket Road	1284 763163
Bury St. Edmunds	Fax: +44
UK-Suffolk IP33 3SR	1284 750 562

USA (Prod.)

Nilfisk-Advance Inc.	Phone: +1 763
14600 21.st Avenue North	745 3500
Plymouth, MN 55447-3408	Fax: +1 763
www.mn.nilfisk-advance.com	745 3718

USA (Sales Sub)

Nilfisk-Advance America Inc.	Phone: +1 610
300 Technology Drive	647 6420
Malvern, PA 19355	Fax: +1 610
www.pa.nilfisk-advance.com	647 6427

Canada (Sales Sub)

Nilfisk-Advance Canada Comp.	Phone: + 1 905
396 Watline Avenue	712 3260
Mississauga, Ontario L4Z 1X2	Fax: +1 905
	712 3255

Australia (Sales Sub)

Nilfisk-Advance Pty. Ltd.	Phone: +61(0)2
48 Egerton Street	9648 2700
Silverwater, NSW 2128	Fax: +61(0)2
Postal adresse:	9648 2711
PO Box 6046	
Silverwater. NSW 1811	
info@nilfisk-advance.com.au	
www.nilfisk-advance.com.au	

China (Shenzhen)

Nilfisk-Advance (Shenzhen) Ltd	Phone: +86 755
Blok 3, Unit 130, 1001 Honghua Road	8359 7937 el.
Int. Commercial & Trade Center	8359 7939-42
Fuitian Free Trade Zone	Fax: +86 755
518038 Shenzhen	8359 1063
P.R. China	

China (Suzhou)

Nilfisk-Advance Professional	Phone: +86 512
Cleaning Equipment (Suzhou) Co. Ltd.	8918 5656
306 Su Hong Zhong Road, Build. 2	Fax: +86 512
Suzhou Industrial Park	8918 5666
215021 Suzhou	
P.R. China	

Hong Kong (Sales Sub)

Nilfisk-Advance Ltd.	Phone: +852
2001 HK Worsted Mills Ind'l Bldg.,	2427 5951
31-39 Wo Tong Tsui St.	Fax: +852
Kwai Chung, Hong Kong	2487 5828

Japan (Sales Sub)

Nilfisk-Advance Inc.	Phone: +8145
3-17-40-101 Chigasaki Higashi	942 7741
Tsuzuki-ku, Yokohama 224-0033	Fax: +8145
Japan	942 6545

Malaysia (Sales Sub)

Nilfisk-Advance Sdn Bhd	Phone: +60 3
No. 21, Jalan SS 25/41	7956 8188
Mayang Industrial Park	Fax: +60 3
47301 Petaling Jaya	7966 6828
Selangor, Malaysia	

New Zealand (Sales Sub)

Nilfisk-Advance Limited	Phone: +64(0)9
Danish House	525 0092
6 Rockridge Avenue	Fax: +64(0)9
Penrose 92-829	525 6440
Auckland1135	
Postal adresse:	
Private Bag 92 825	
Auckland	
New Zealand	

Singapore (Sales Sub)

Nilfisk-Advance Pte. Ltd.	Phone: + 65
22,Woodlands Industrial Park E1	6 7599100
Singapore 757740	Fax: +65
sales@nilfisk-advance.com.sg	7599133

Taiwan, ROC (Sales Sub)

Nilfisk-Advance Ltd.	Phone: +886
Taiwan Branch (H.K.)	2 2239 8812
1F, No. 193, Sec.2	Fax: +886
Xing Long Rd., Taipei	2 2239 8832
Taiwan, R.O.C.	

Thailand (Sales Sub)

Nilfisk-Advance Co. Ltd.	Phone: +66 2
89 Soi Chokechai-Ruammitr	275-5630
Viphavadee-Rangsit Road	Fax: +66 2
Ladyao, Jatuchak, Bangkok 10900	691-4079
Thailand	



www.nilfisk-advance.com

© 2005 Printed in USA