



Electronic Service Manuals

This electronic document is provided as a service to our customers. We do not create the contents of the information contained in this document. Should you have detailed questions pertaining to the information contained in this document, you may contact Michco, or the manufacturer which provided the original information in this electronic deliverable. Michco's only part in this electronic deliverable was the electronic assembly process.

You may contact Michco through the following methods:
Phone (517) 484-9312 or (800) 331-3339 MI, OH, IN only
2011 N. High St. -- Lansing, Michigan -- 48906
Fax: (517) 484-9836
Email: CustServ@Michco.com
Web site: www.Michco.Com
Parts Web site: www.FloorMachineParts.Com

Order Parts on Line at:
www.FloorMachineParts.Com

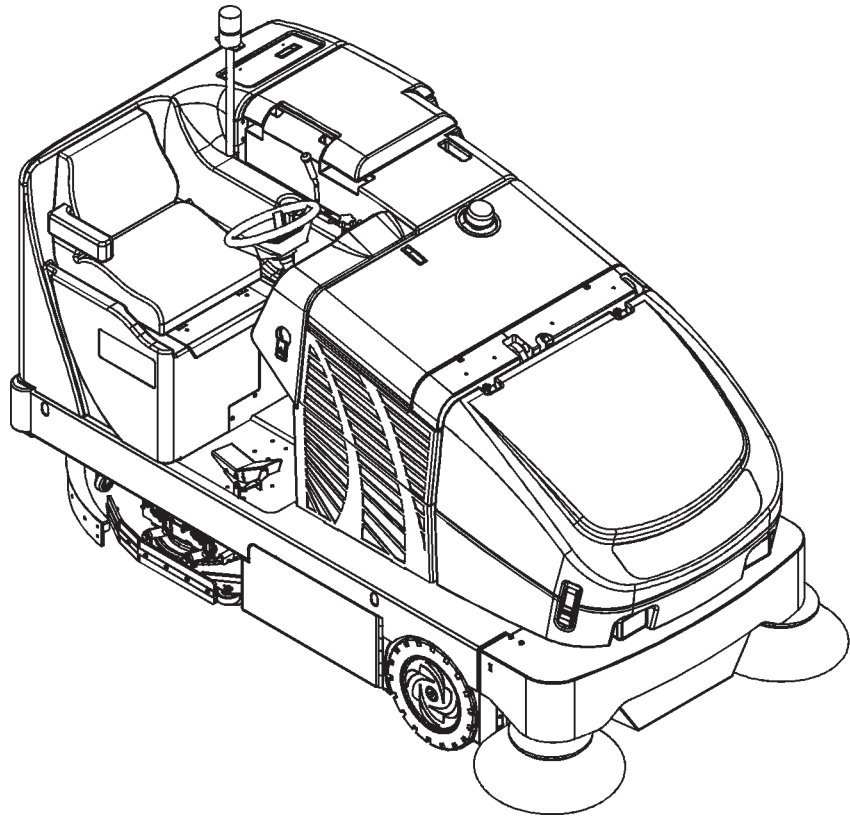
Directly to Parts & Service:
By Email: **Shop@Michco.com**
By Fax: (517) 702-2041
By Voice: Use numbers above.

Serving the Cleaning Industry Since 1922

Notice: All copyrighted material remains property of original owners, all trademarks are property of respective owners. Manuals are subject to Manufacturer's reproduction limitations. Originals or reproductions were provided by manufacturers through a request. We make no warranty as to the correctness of information provided in this document and you assume all risk.

Captor™ 4300, 4800, 5400

CR 1100, 1200, 1400



PARTS LIST

Advance MODELS 56304000, 56304001, 56304002, 56304003, 56304004, 56304005, 56304006, 56304007, 56304008
Nilfisk MODELS 56304009, 56304010, 56304011, 56304012, 56304013, 56304014, 56304015, 56304016, 56304017



Nilfisk
Advance
setting standards

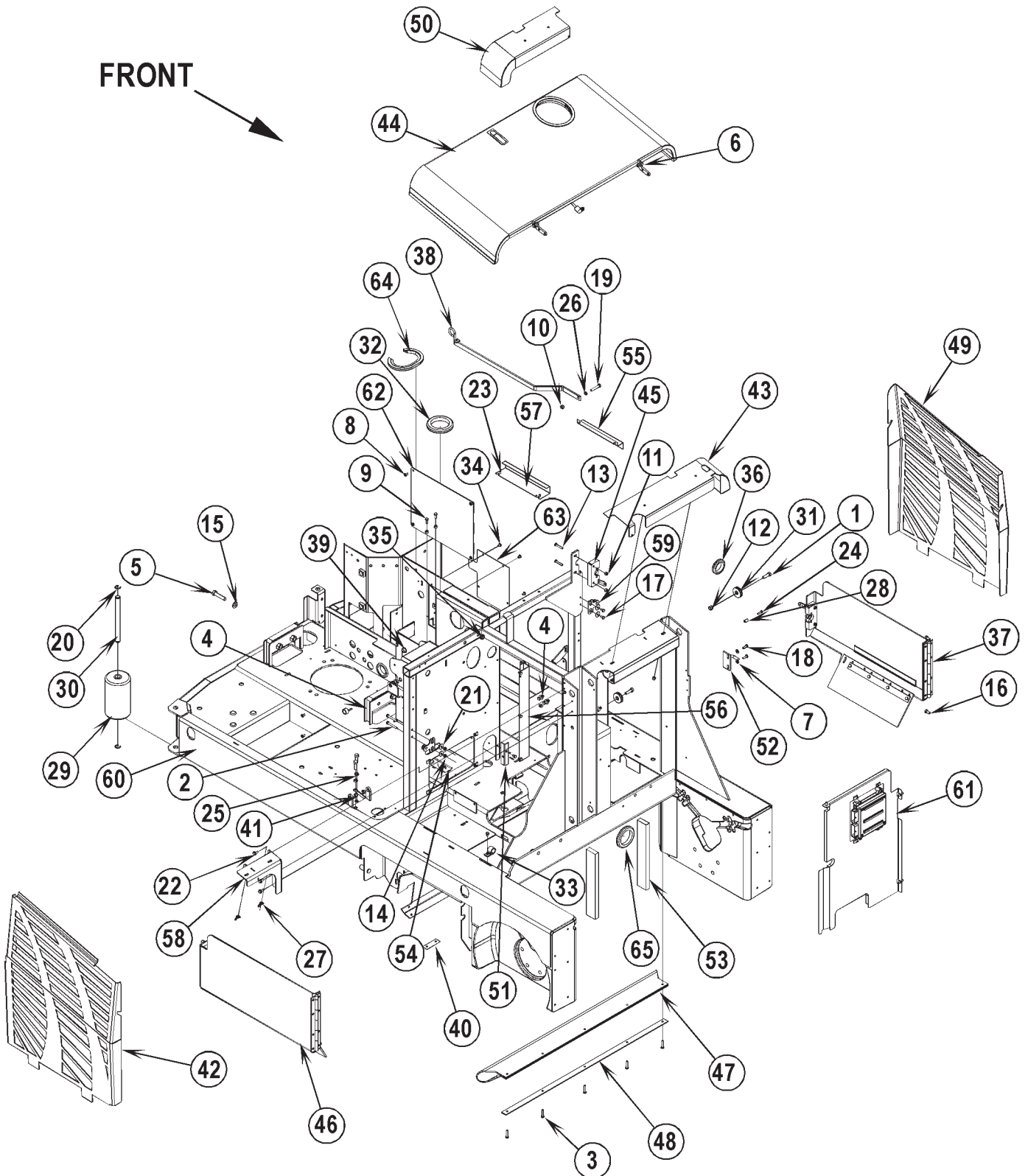
7/03 revised 3/05 FORM NO. 56042440
BOOK E SECTION 14.3.1

DESCRIPTION	Page
Chassis System.....	2-3
Chassis System Sub-Assemblies.....	4-7
Control System.....	8-9
Control System Sub-Assemblies.....	10-11
Decal System.....	12-13
Drive Wheel System.....	14-15
Dust Control System.....	16-17
Electrical System.....	18-19
Front Wheel System.....	20-21
Hopper System.....	22-23
Hopper System Sub-Assemblies.....	24-25
Hydraulic Schematic (43" Models).....	26-27
Hydraulic Schematic (48" Models).....	28-29
Hydraulic Schematic (54" Models).....	30-31
Main Broom System.....	32-33
Main Broom Sub-Assemblies.....	34-35
Recovery System.....	36-37
Recovery Tank Assembly (43" Models).....	38-39
Recovery Tank Assembly (48" & 54" Models).....	40-41
Scrub System (43" & 48" Models).....	42-43
Scrub System (54" Models).....	44-45
Scrub System Skirt Assemblies.....	46-47
Side Broom System.....	48-49
Side Broom System Sub-Assemblies.....	50-51
Solution System (43" Models).....	52-53
Solution System (48" & 54" Models).....	54-55
Solution System Sub-Assemblies.....	56-57
Squeegee System.....	58-59
Squeegee Assembly.....	60-61
Wiring Diagram-1 (Gasoline/Petrol / LPG).....	62-63
Wiring Diagram-2 (Gasoline/Petrol / LPG).....	64-65
Wiring Diagram-1 (Diesel).....	66-67
Wiring Diagram-2 (Diesel).....	68-69
Wiring Schematic (Gasoline/Petrol / LPG).....	70
Wiring Schematic (Diesel).....	71
Optional Kits and Accessories.....	73
Beacon Kit (Standard on 48" & 54" Nil sk models).....	74-75
Beacon Kit (Standard on 43" Nil sk models).....	76-77
Backup Alarm Kit (Standard on Nil sk models).....	78-79
Broom Selector Guide.....	80
Brush Selector Guide.....	81

WHEN ORDERING PARTS

- * Use the 8 digit numbers from the "Ref. No." columns in this parts list.
- * Specify the model and serial number of the machine.
- * Use the space below to record the model and serial number for future reference.

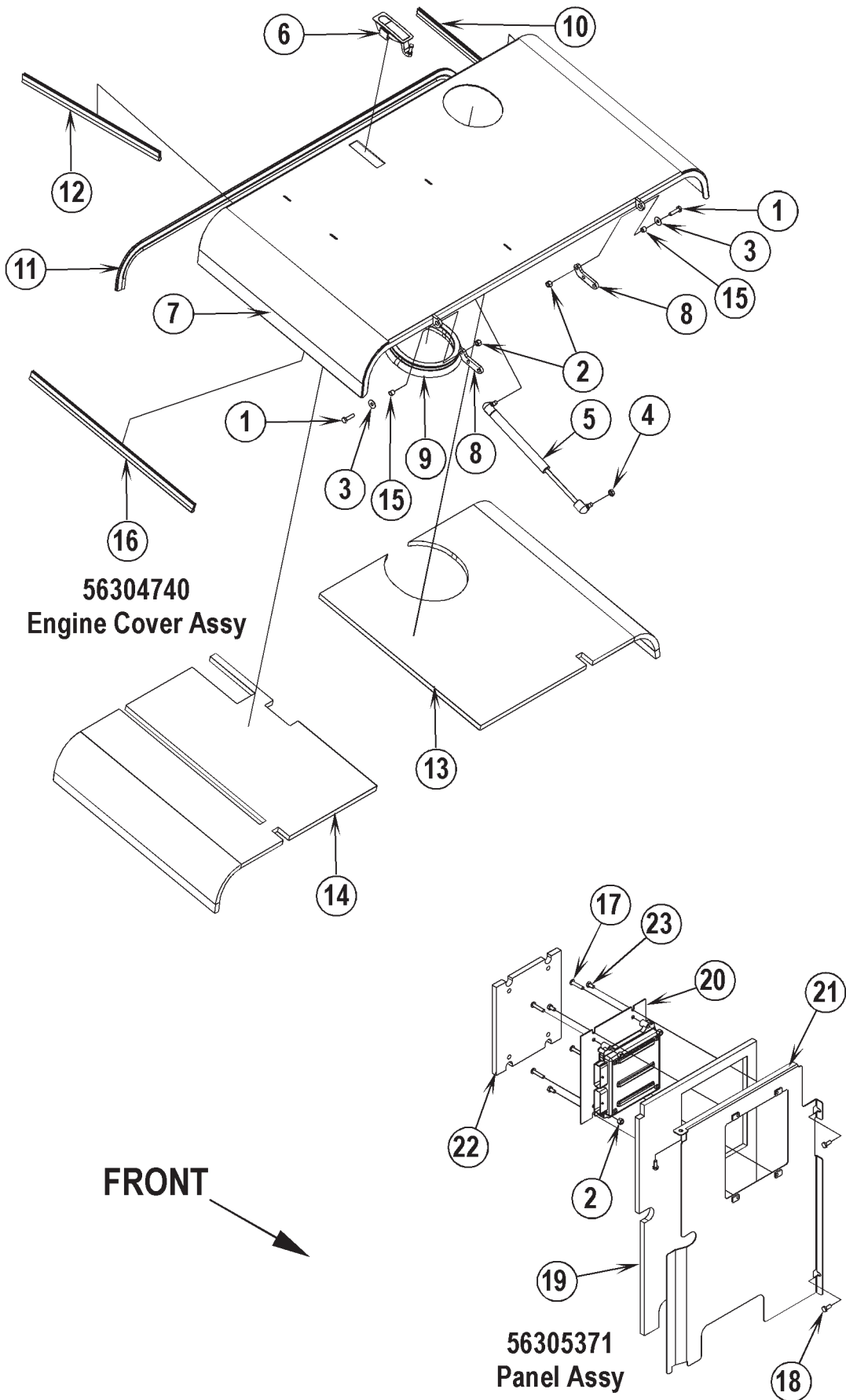
Model _____ Serial No. _____



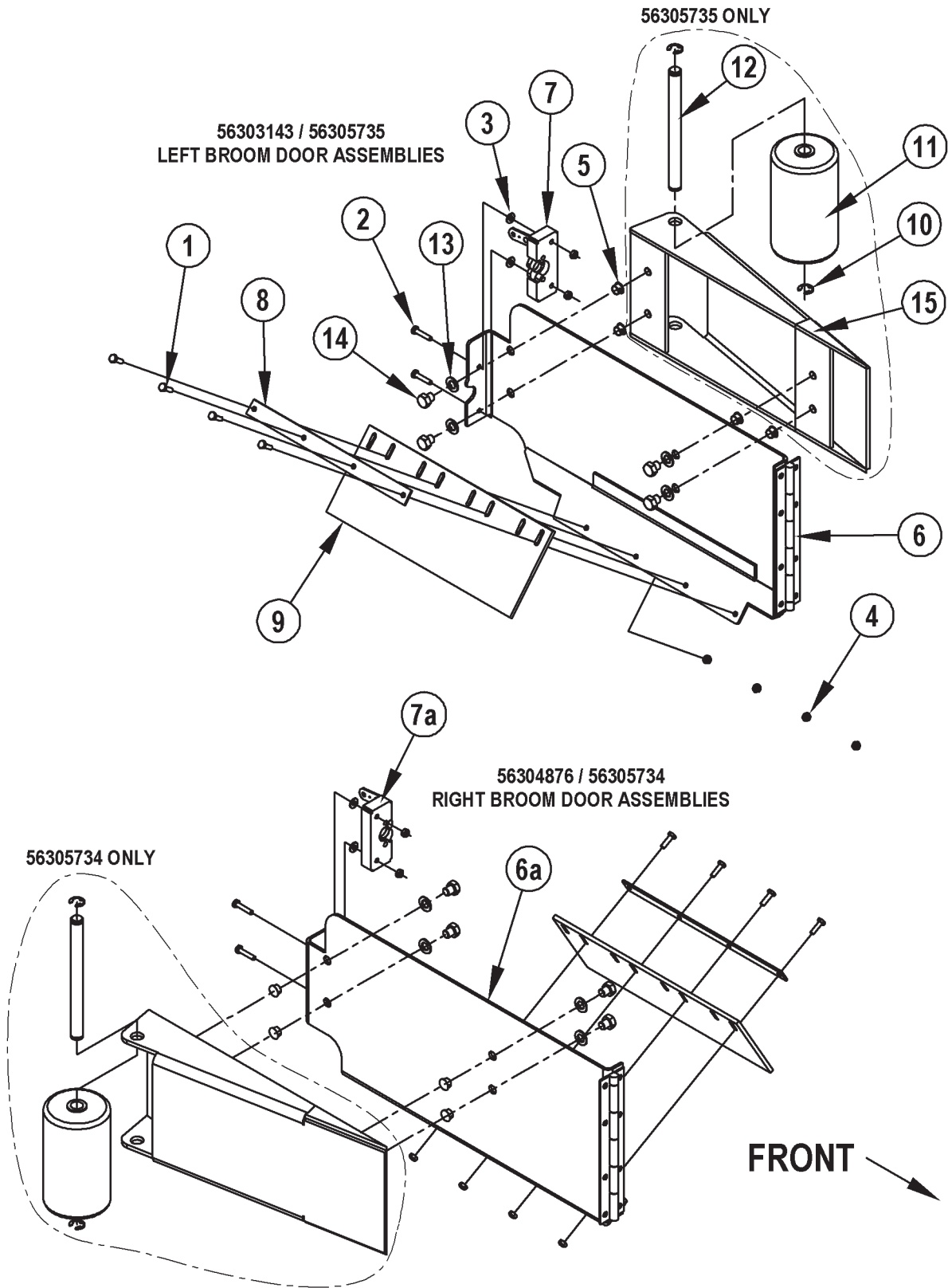
NOTE: Skirts for 43 & 48 inch models shown here, see sub-assemblies for 54 inch skirts.

Item	Ref. No.	Qty	Description	Item	Ref. No.	Qty	Description
1	56001858	4	Scr, Hex Hd 3/8-16 x 1.25	33	56496276	1	Clamp, Hose Support
2	56001874	2	Scr, Hex Hd 1/4-20 x 2.00	34	56003603	4	Scr, Pan Phil Thd Form 1/4-20 x .38
3	56001878	5	Scr, Hex Hd 1/4-20 x 1.25	35	56052339	1	Grommet
4	56001906	4	Wsh, Fit Std 1/4	36	56056215	2	Grommet
5	56001920	2	Scr, Hex Hd 1/2-13 x 2.25	37	56303143	1	Left Broom Door Assy (43" & 48" models)
6	56002093	4	Scr, Hex Hd 1/4-20 x 1.00		56305735	1	Left Broom Door Assy (54" models)
7	56002098	7	Wsh, Fit SAE 1/4	38	56304473	1	Prop Rod Linkage Weldt
8	56002145	10	Scr, Pan Phil 1/4-20 x .50	39	56304519	3	Bearing, Fl .625 x .500 x .375
9	56002155	2	Scr, Hex Hd 1/4-20 x .75	40	56304543	1	Catch, Brake Lock
10	56002701	1	Nut, Hex Nyl Loc 5/16-18	41	56304554	2	Bearing, Fl .500 x .375 x .313
11	56002708	10	Nut, Hex Nyl Loc 1/4-20	42	56304583	1	Panel, Right (Advance)
12	56002769	2	Nut, Hex Nyl Loc 3/8-16		56305314	1	Panel, Right (Nilfisk)
13	56002786	2	Scr, Pan Phil 1/4-20 x 1.50	43	56304692	1	Top Cosmetic Cover
14	56002840	2	Nut, Hex Nyl Loc-Thin 1/4-20	44	56304740	1	Cover Engine Asm
15	56002918	2	Wsh, Fit SAE SS 1/2	45	56304827	1	Latch, RH
16	56002929	6	Scr, Hex Hd Loc 5/16-18 x .62	46	56304876	1	Right Broom Door Assy (43" & 48" models)
17	56002933	2	Scr, Hex Hd Loc 1/4-20 x .38		56305734	1	Right Broom Door Assy (54" models)
18	56002948	2	Scr, Hex Hd Loc 1/4-20 x .75	47	56304926	1	Blade, Dump Door Shield
19	56003005	1	Scr, Hex Hd 5/16-18 x 1.75	48	56304927	1	Strap, Dump Door Shield
20	56003266	4	Ring, Ret Ext Type E 0.75 Dia	49	56304958	1	Panel, Left
21	56009002	6	Wsh, Fit .266 x .906 x .060	50	56304968	1	Top Cover
22	56009018	3	Scr, Hex Thd Form 1/4-20 x .75	51	56305928	1	Angle
23	56009019	8	Scr, Hex Thd Form 1/4-20 x .38	52	56305095	1	Latch Weldment
24	56009038	2	Scr, Hex Thd Form 10-24 x .88	53	56305197	2	Gasket
25	56009085	2	Nut, Hex Jam 3/8-16	54	56305225	1	Cover, Access
26	56009086	1	Nut, Hex Jam 5/16-18	55	56305264	1	Hose Guide
27	56009111	2	Nut, Wing SS 1/4-20	56	56305265	1	Hose Guide
28	56200239	2	Bushing .20 x .37 x .62	57	56305266	1	Hose Guide
29	56409335	2	Bumper	58	56305281	1	Cover Mount Weldt
30	56409336	2	Pin	59	56305331	2	Weldment, Panel Lock
31	56416546	2	Shielded Pulley	60	56305338	1	Weldment, Chassis
32	56418198	1	Grommet	61	56305371	1	Panel Assembly
				62	56305394	1	Panel Assy
				*	56304787	1	Cover, Control Box
				*	56305395	3	Gasket
				63	56305598	1	Panel, Broom Lift Adjust
				64	56305679	1	Gasket
				65	56051172	1	Grommet

* = Not Shown



Item	Ref. No.	Qty	Description
	56304740	1	Cover, Engine Assy (1-16)
	56305371	1	Panel Assy (2 & 17-23)
1	56002093	2	Scr, Hex Hd 1/4-20 x 1.00
2	56002708	6	Nut, Hex Nyl Loc 1/4-20
3	56002098	2	Wsh, Fit SAE 1/4
4	56009086	2	Nut, Hex Jam 5/16-18
5	56385238	1	Gas Cylinder
6	56418471	1	Door Latch
7	56304686	1	Cover Engine Weldt
8	56304690	2	Hinge Front, Engine Cover
9	56305277	1	Gasket
10	56305502	1	Trim-Seal, Raw
11	56305269	1	Trim-Seal, Raw
12	56305278	1	Trim-Seal, Raw
13	56305414	1	Foam Insulation
14	56305415	1	Foam Insulation
15	56330027	2	Bushing
16	56305268	1	Trim-Seal, Raw
17	56002825	4	Scr, Pan Phil 1/4-20 x 1.25
18	56002922	3	Scr, Hex Hd Loc 1/4-20 x .62
19	56305035	1	Foam Insulation
20	56305380	1	ECU Panel
21	56305381	1	Panel Weldment
22	56305382	1	Foam
23	56001854	4	Scr, Hex Hd 1/4-20 x .50



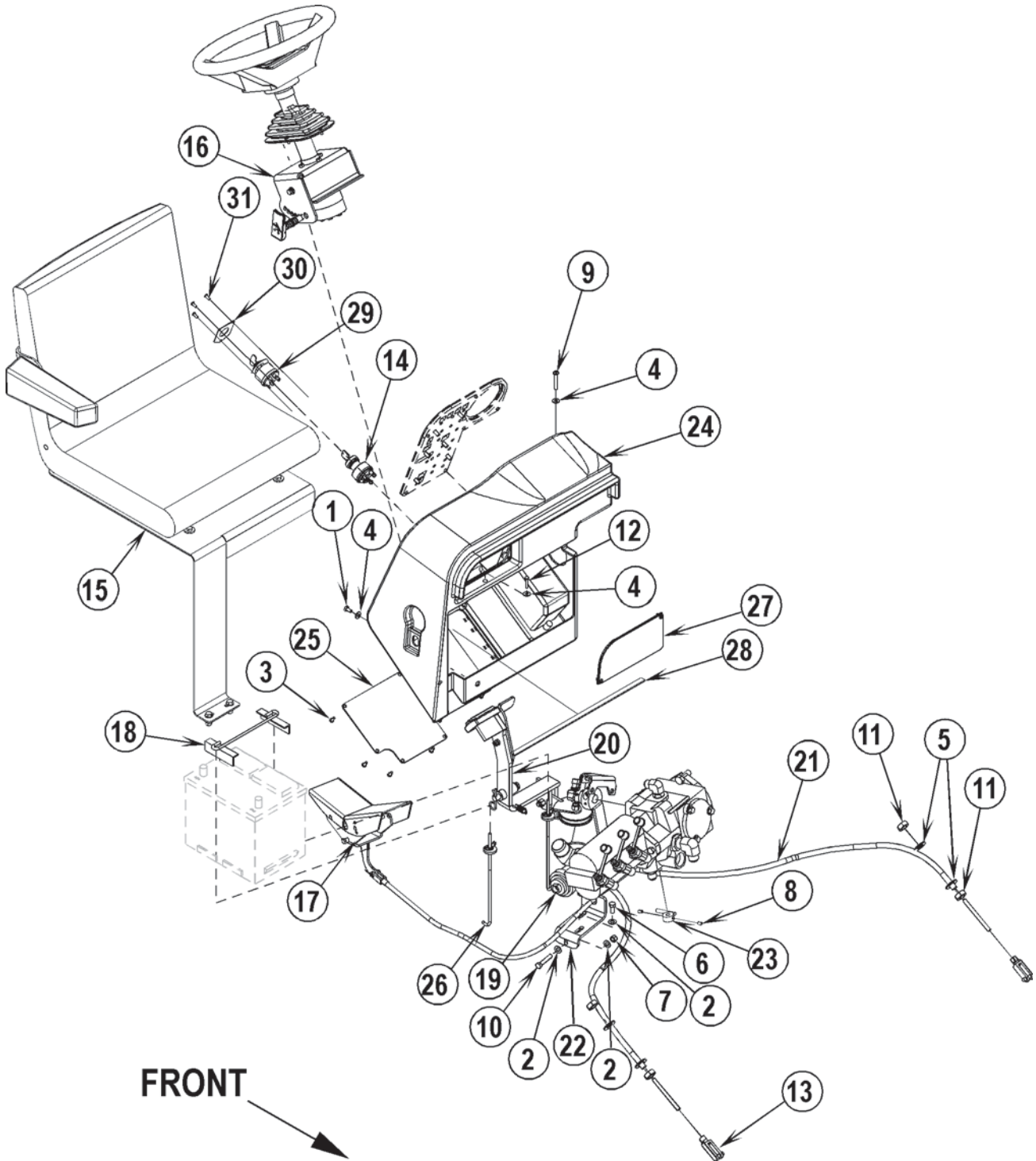
03-5	CHASSIS SYSTEM SUB-ASSEMBLIES-2	BOOK E		
04-5	Captor™ 4300, 4800, 5400 / CR 1100, 1200, 1400	E	14.3.1	7

Item	Ref. No.	Qty	Description
	56303143	1	Left Broom Door Assy (1-9) (43" & 48" models)
	56304876	1	Right Broom Door Assy (1-9) (43" & 48" models)
	56305735	1	Left Broom Door Assy (1-4 & 6-15) (54" models)
	56305734	1	Right Broom Door Assy (1-4 & 6-15) (54" models)
1	56001821	8	Scr, Hex Hd 1/4-20 x .88
2	56001878	4	Scr, Hex Hd 1/4-20 x 1.25
3	56002098	4	Wsh, Flt SAE 1/4
4	56002840	12	Nut, Hex Nyl Loc-Thin 1/4-20
5	56418888	8	Plug, Cap (qty of 4 before May 2004)
6	56303150	1	Left Broom Door Weldt
6a	56304877	1	Right Broom Door Weldt
7	56304826	1	Latch, LH
7a	56304827	1	Latch, RH
8	56304881	2	Strap, Broom Door
9	56304882	2	Skirt, Broom Door
10	56003266	4	Ring, Ret Ext Type E 0.75 Dia
11	56409335	2	Bumper
12	56409336	2	Pin
13	56009003	8	Wsh, Flt .516 x .938 x .075 (qty of 4 before May 2004)
14	56305733	8	Scr, Hex Hd 1/2-20unf x .50 (qty of 4 before May 2004)
15	56305938	2	Roller Weldment (after April 2004) NOTE #2
*	56305860	2	Angle, Corner (before May 2004) NOTE #2

* = Not Shown

NOTE #1: Quantities are for both broom door assemblies.

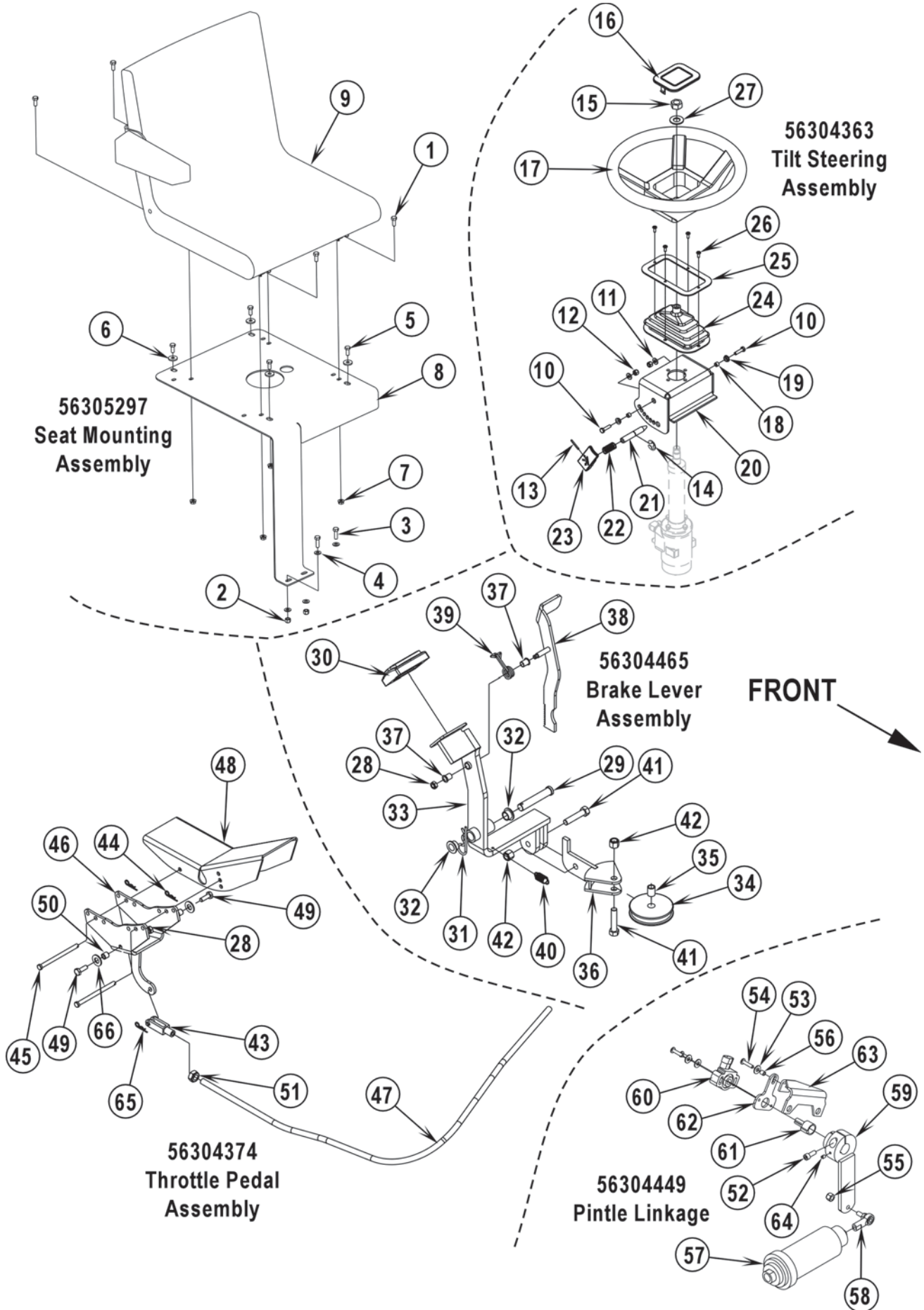
NOTE #2: Roller Weldment 56305938 can be installed on machines built prior to this date. Use the Roller Weldment as a template to mark & drill the two additional mounting holes in the broom door. However, the original mount 56305860 is still available for replacement.



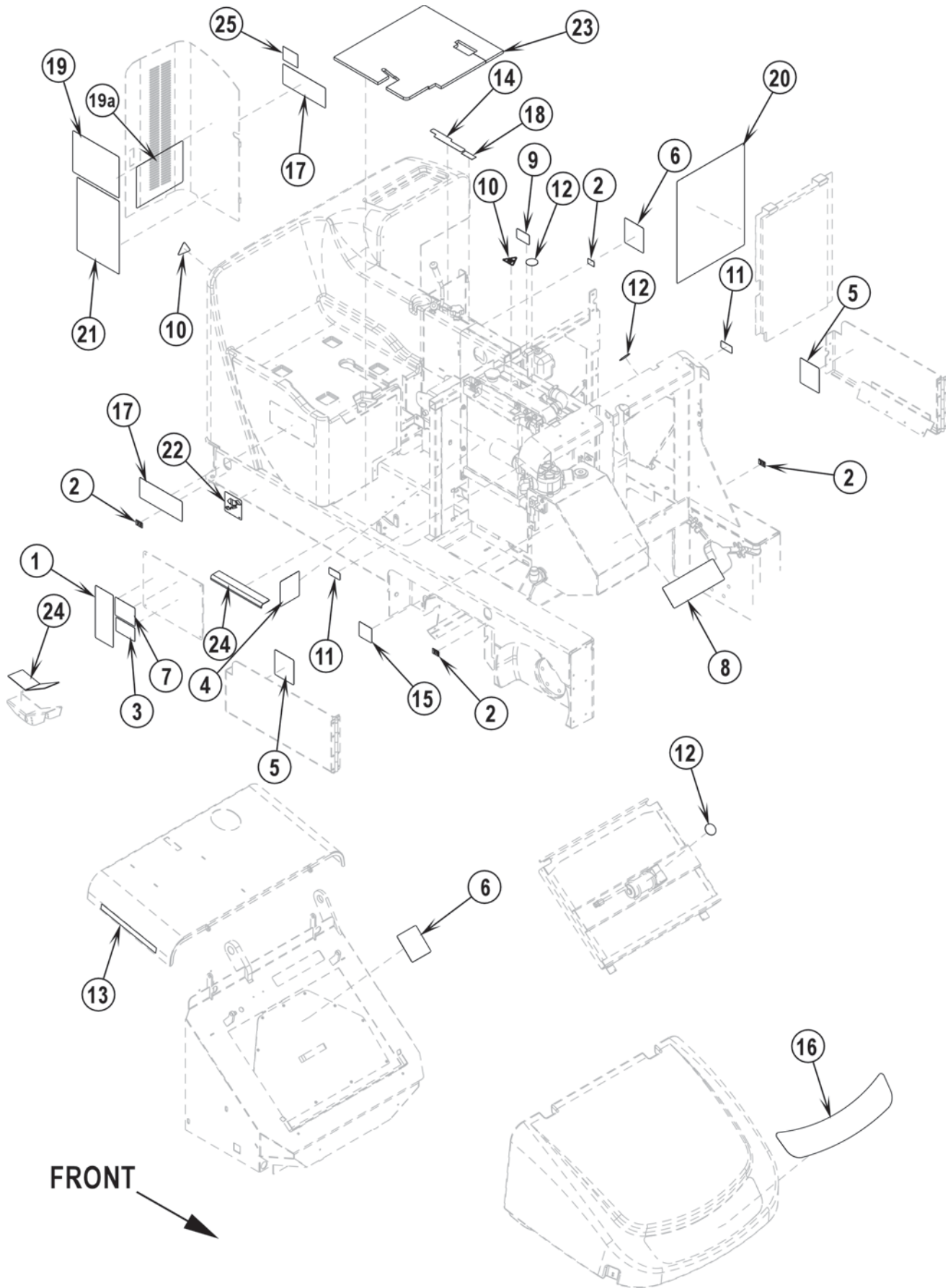
03-5	CONTROL SYSTEM	BOOK E		
04-2	Captor™ 4300, 4800, 5400 / CR 1100, 1200, 1400	E	14.3.1	9

Item	Ref. No.	Qty	Description
1	56001854	1	Scr, Hex Hd 1/4-20 x .50
2	56001939	4	Wsh, Flt SAE 5/16
3	56001993	5	Scr, Pan Phil 10-24 x .50
4	56002098	3	Wsh, Flt SAE 1/4
5	56002319	4	Wsh, Flt SAE 9/16
6	56002667	2	Scr, Hex Hd 5/16-18 x .75
7	56009086	1	Nut, Hex Nyl Loc 5/16-18
8	56002930	2	Scr, Soc Set Loc 1/4-20 x .38
9	56002997	1	Scr, Pan Phil 1/4-20 x 1.75
10	56002013	1	Scr, Hex Hd 5/16-18 x 1.75
11	56009099	4	Nut, Hex Jam 5/8-18
12	56009176	1	Scr, Hex Thd Form 10-24 x 1.00
13	56416089	2	Clevis Assy
14	56418685	1	Switch, Starter (LPG & Petrol)
*	56419123	1	Replacement Key (LPG & Petrol)
15	56305297	1	Seat Mounting Assy
16	56304363	1	Tilt Steering Assy
17	56304374	1	Throttle Pedal Assy
18	56304445	1	Starter Battery Hold Down
19	56304449	1	Linkage, Pintle
20	56304465	1	Brake Lever Assy
21	56304599	1	Cable, Pull Brake
22	56304632	1	Adjuster Bracket
23	56305473	1	Weldment, Tow Lever
24	56305776	1	Assembly, Console (LPG & Petrol)
	56305841	1	Assembly, Console (Diesel)
25	56305092	1	Cover, Console
26	56305112	2	10" J Type Hold Down
27	56305282	1	Cover, Access Assy
*	56305246	1	Cover, Access
*	56305233	1	Gasket, RS Strip
*	56001993	2	Scr, Pan Phil 10-24 x .50
28	56416650	1	Gasket
29	56497754	1	Switch, Starter (Diesel)
30	56305842	1	Plate, Switch (Diesel)
31	56009191	3	Scr, Pan Phil Plastite 10-14 x .50 (Diesel)

* = Not Shown

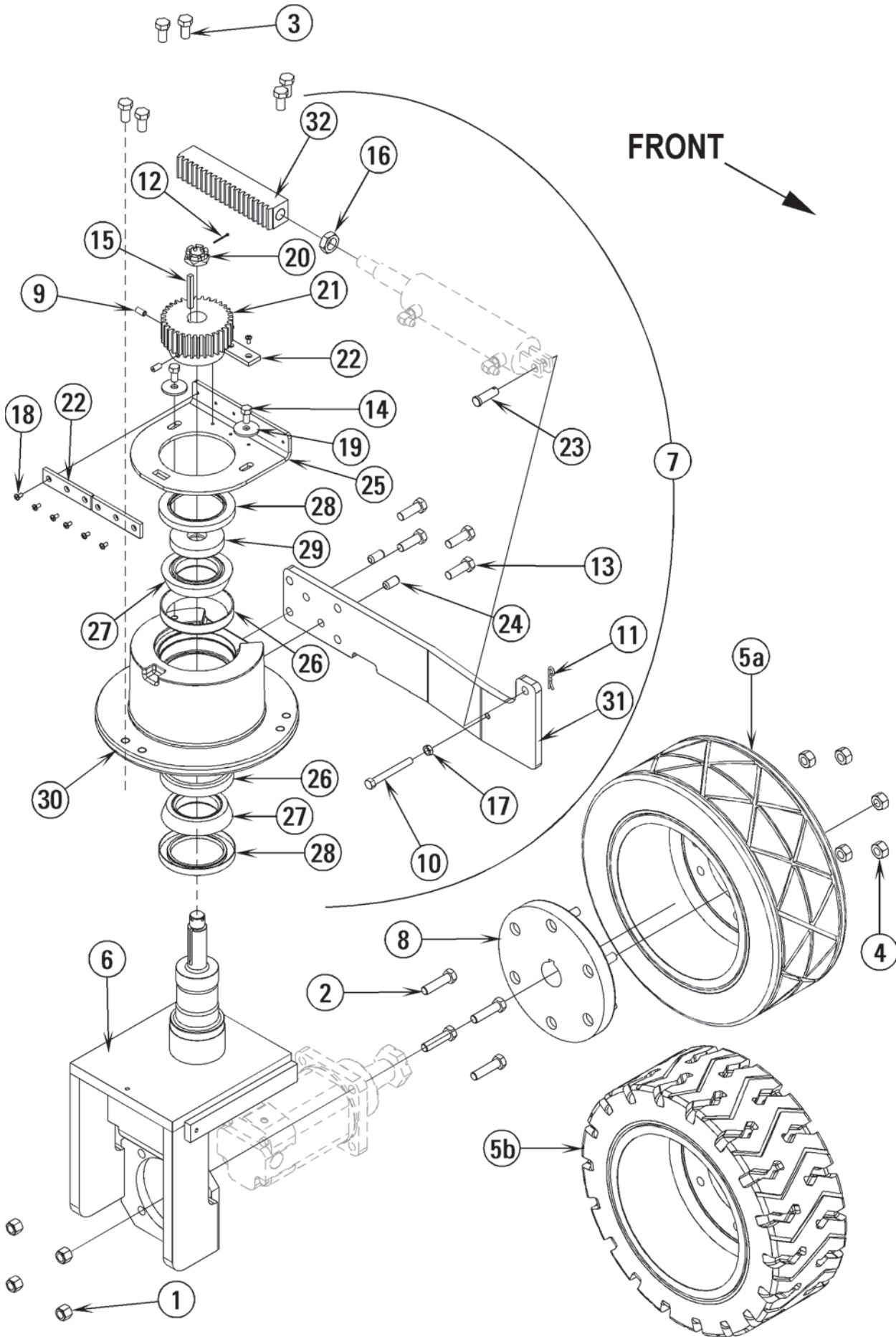


Item	Ref. No.	Qty	Description	Item	Ref. No.	Qty	Description
	56305297	1	Seat Mounting Assy (1-9)	28	56002840	3	Nut, Hex Nyl Loc-Thin 1/4-20
	56304363	1	Tilt Steering Assy (10-27)	29	56003207	1	Clevis Pin .50 X 2.75
	56304465	1	Brake Lever Assy (28-42)	30	56365002	1	Pad, Rubber
	56304374	1	Throttle Pedal Assy (28, 43-51 & 65-66)	31	56003644	1	Pin, Cotter Hair .120 x .5
	56304449	1	Pintle Linkage (52-64)	32	56304519	2	Bearing, Fl .625 x .500 x .375
1	56002667	4	Scr, Hex Hd 5/16-18 x .75	33	56305472	1	Weldment, Brake Lever
2	56002856	2	Nut, Hex Nyl Loc SS 5/16-18 x 1.00	34	56304557	1	Pulley, 3.00 Dia
3	56002913	2	Scr, Hex Hd SS 5/16-18 x 1.00	35	56304558	1	Bearing, .500 x .375 x .625
4	56002938	4	Wsh, FLT SAE SS 5/16	36	56304562	1	Pulley Weldment
5	56002956	4	Scr, Hex Hd Loc 5/16-18 x .75	37	56304554	2	Bearing, Fl .500 x .375 x .313
6	56009122	4	Wsh, Flt .344 x .938 x .125	38	56304902	1	Weldment, Brake Lock
7	56001806	4	Nut, Hex Whiz W/Flange Loc 5/16-18	39	56304972	1	Spring, Torsion .095
8	56305115	1	Plate, Seat Mount	40	56305072	1	Spring, Extension .075
9	56305296	1	Seat Assy	41	56002684	2	Scr, Hex Hd 3/8-16 x 1.75
				42	56002769	2	Nut, Hex Nyl Loc 3/8-16
10	56002093	2	Scr, Hex Hd 1/4-20 x 1.00	43	56482542	1	Clevis Assy
11	56002098	2	Wsh, Flt SAE 1/4	44	56003332	2	Cotter, Hair Pin
12	56002708	2	Nut, Hex Nyl Loc 1/4-20	45	56003669	2	Clevis, Pin .25 x 3.50
13	56002763	1	Pin, Spr .12 X 1.12	46	56304375	1	Pedal Weldt
14	56003264	1	Ring, Ret Ext Type E 0.50 Dia	47	56304552	1	Cable, Push-Pull Control
15	56003440	1	Nut, Steering Wheel	48	56304777	1	Pedal
16	56418459	1	Cap, Steering Wheel	49	56002155	2	Scr, Hex Hd 1/4-20 x .75
17	56418460	1	Steering Wheel	50	56151106	2	Bushing
18	56453849	2	Bushing .26 x .37 x .28	51	56009142	2	Nut, Hex Machine 1/4-28
19	56304518	2	Bearing, Fl .500 x .375 x .188	65	56003332	1	Cotter, Hair Pin
20	56304528	1	Steering Mount	66	56002098	2	Wsh, Flt SAE 1/4
21	56304530	1	Pin, Lock				
22	56304531	1	Spring, Compression	52	56002032	1	Scr, Soc Hd 1/4-20 x 0.62
23	56304774	1	Steering Adjustment Lever	53	56002053	3	Wsh, Flt Std #10
24	56304812	1	Boot, Steering	54	56002996	3	Scr, Pan Phil(UNF) 10-32 x .88
25	56304813	1	Steering Boot Retainer	55	56003626	1	Nut, Hex Nyl Loc-Thin 1/4-28
26	56002831	4	Scr, Pan Phil BLK 10-24 x .50	56	56369004	1	Bushing
27	56002022	1	Wsh, Flt SAE 5/8	57	56455799	1	Hydroback
				58	56463720	1	Rod End
				59	56304355	1	Lever Weldment
				60	56305129	1	Rotary Sensor
				61	56305184	1	Adapter, Shaft
				62	56305185	1	Plate, Mount
				63	56305186	1	Bracket
				64	56002015	1	Scr, Soc Set Loc 10-24 x .25



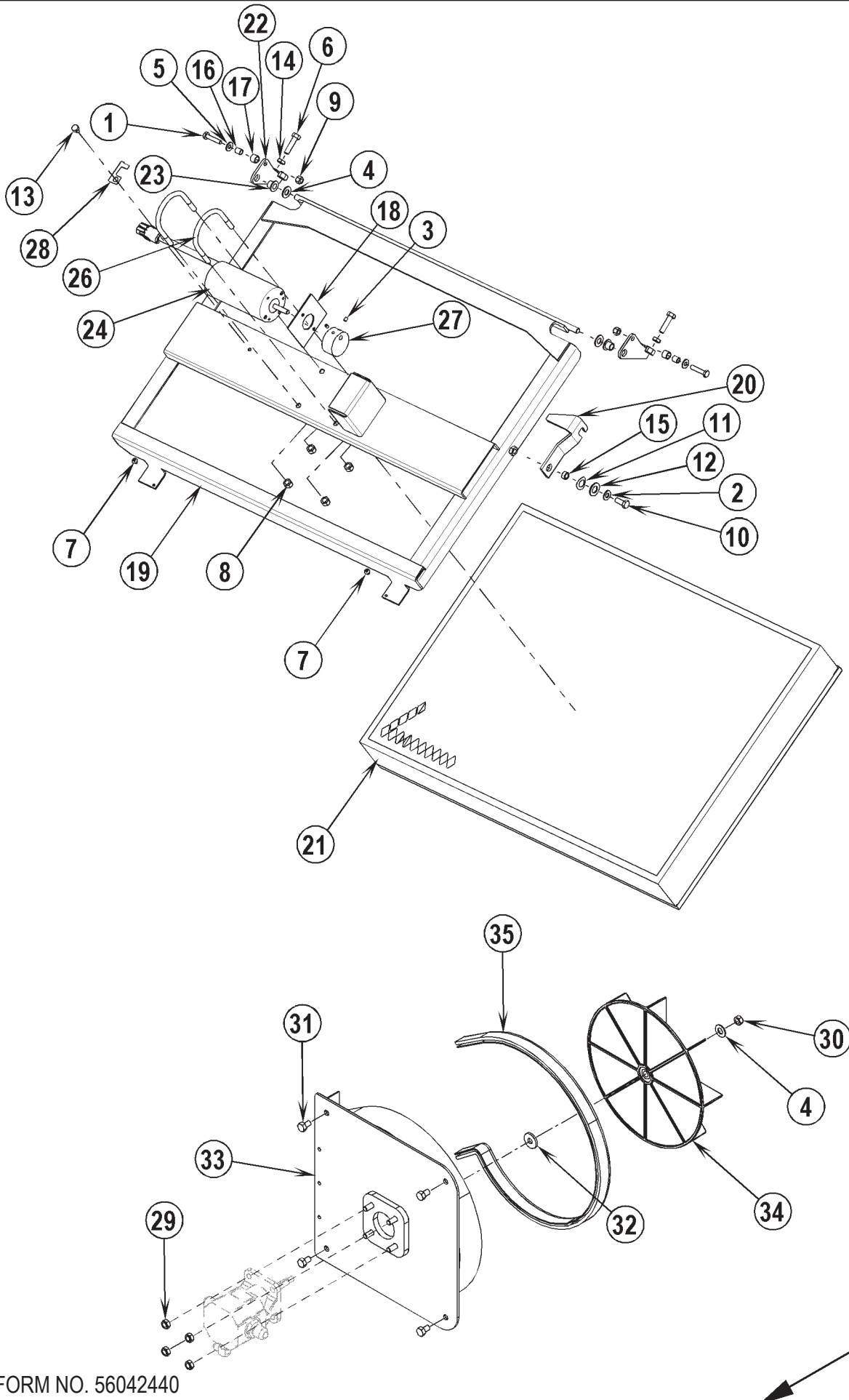
03-5	DECAL SYSTEM	BOOK E		
04-2	Captor™ 4300, 4800, 5400 / CR 1100, 1200, 1400	E	14.3.1	13

Item	Ref. No.	Qty	Description
1	56014601	1	Decal, Caution
2	56015370	4	Decal, Tie Down
3	56015413	1	Decal, LPG (LPG only)
4	56015424	1	Decal, Warning Hydraulic
5	56015425	2	Decal, Warning Broom
6	56015426	2	Decal, Warning Fan
7	56015427	1	Decal, Warning Tip Over
8	56015428	1	Decal, Warning Hopper
9	56015463	1	Decal, Coolant Level
10	56016363	2	Decal, Warning Hot
11	56025496	2	Decal, Caution
12	56030080	3	Decal, Hands Clear
13	56015223	1	Decal, Total Clean (Advance)
14	56015185	1	Decal, Main Broom / Solution
15	56015189	1	Decal, Oil Fill
16	56015190	1	Decal, Advance
	56015191	1	Decal, Nil sk
17	56015193	2	Decal, 4300 (Advance)
	56015195	2	Decal, 4800 (Advance)
	56015199	2	Decal, 5400 (Advance)
	56015200	2	Decal, CR 1100 (Nilfisk)
	56015201	2	Decal, CR 1200 (Nilfisk)
	56015202	2	Decal, CR 1400 (Nilfisk)
18	56015206	1	Decal, Hopper Safety Support
19	56015209	1	Decal, Hyd Schematic (LPG location)
19a	56015209	1	Decal, Hyd Schematic (Petrol / Diesel location)
20	56015210	1	Decal, Wiring Diagram (Petrol / LPG)
	56015239	1	Decal, Wiring Diagram (Diesel)
21	56015218	1	Decal, Ladder Diagram (Petrol / LPG)
	56015233	1	Decal, Ladder Diagram (Diesel)
22	56015221	1	Decal, Solution Drain
23	56305397	1	Mat, Floor
24	56305606	2	Mat, Pedal
25	56016226	1	Decal, Unleaded Fuel (Petrol only)
	56025454	1	Decal, Diesel Fuel

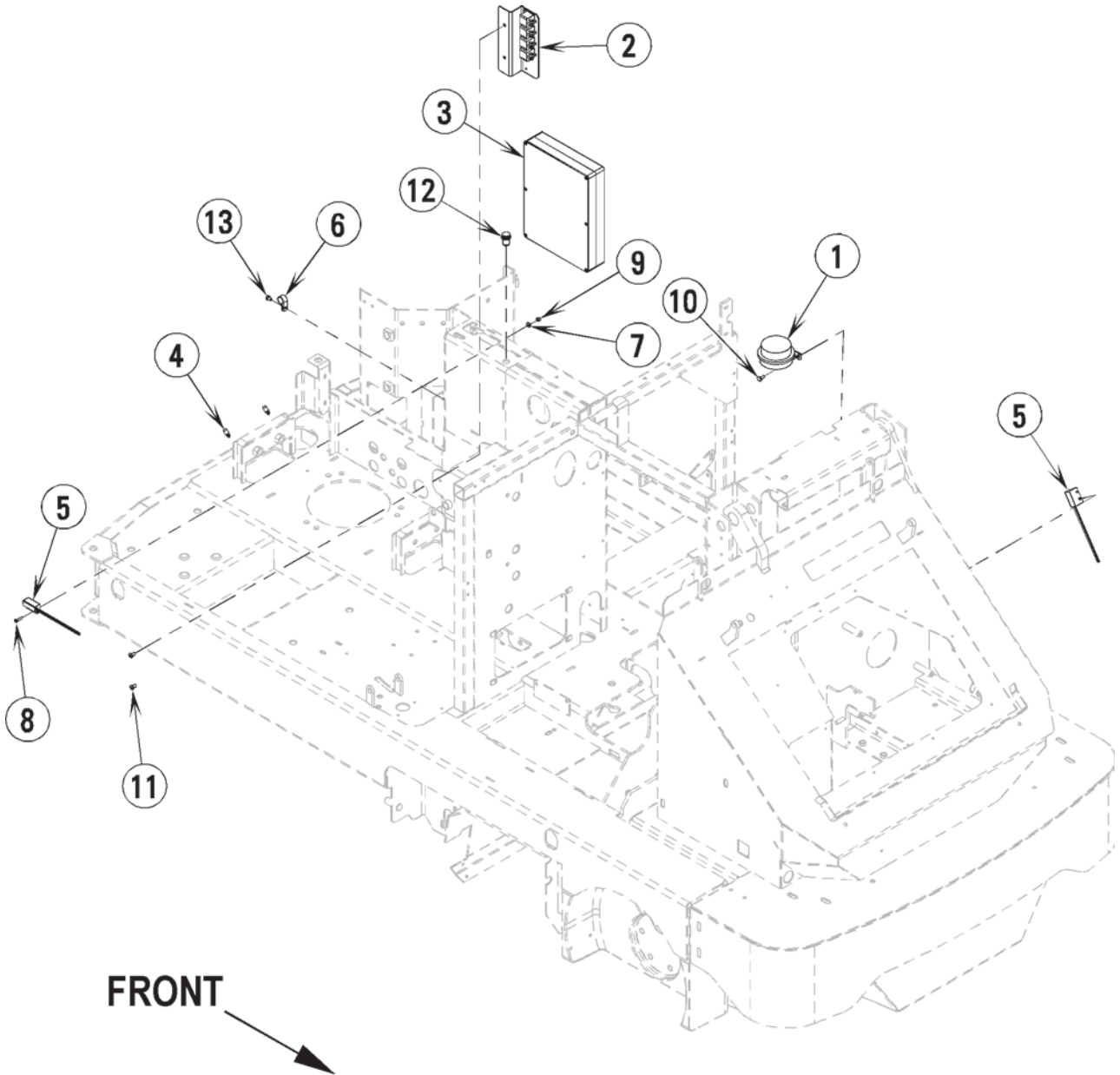


03-5	DRIVE WHEEL SYSTEM	BOOK E		
04-2	Captor™ 4300, 4800, 5400 / CR 1100, 1200, 1400	E	14.3.1	15

Item	Ref. No.	Qty	Description
1	56002770	4	Nut, Hex Nyl Loc 1/2-13
2	56002983	4	Scr, Hex Hd 1/2-13 x 2.00
3	56003083	6	Scr, Hex Hd Loc 1/2-13 x 1.00
4	56009116	6	Nut, Lug 1/2-20
5a	56305038	1	Assy, Rear Wheel (STD / High Taction)
*	56305036	1	Tire, Rear (STD / High Taction)
*	56304027	1	Hub, Rear
5b	56304044	1	Assy, Rear Wheel (Optional / High Durability)
*	56304025	1	Tire, Rear (Optional / High Durability)
*	56304027	1	Hub, Rear
6	56305466	1	Weldment, Spindle
7	56304576	1	Steering Assy Rack & Pinion (9-32)
8	56305037	1	Assy, Hub
9	56002186	2	Scr, Soc Set Loc 5/16-18 x .62
10	56003006	1	Scr, Hex Thd to Hd 3/8-16 x 2.75
11	56003222	1	Pin, Cotter Hair
12	56002574	1	Pin, Cotter 5/32 x 3.00
13	56003083	4	Scr, Hex Hd Loc 1/2-13 x 1.00
14	56003485	2	Scr, Hex Hd 1/2-20 x 1.00
15	56003248	1	Key, Sq .25 x 2.31
16	56009083	1	Nut, Hex Jam 3/4-16
17	56009085	1	Nut, Hex Jam 3/8-16
18	56009139	9	Scr, Pan Phil Loc 10-24 x .38
19	56009115	2	Wsh, Flt Harden .594 x 1.375 x .134
20	56110817	1	Nut, Castle 7/8-14
21	56418477	1	Gear, Spur
22	56418575	3	Plate, Wear
23	56486733	1	Pin
24	56002655	2	Pin, Dwl Std .50 x 1.00
25	56304582	1	Adjustment, Rack
26	56304747	2	Bearing, Cup 4.33" OD
27	56304748	2	Bearing, Cone 2.50" ID
28	56304749	2	Seal, Shaft 3.187
29	56304766	1	Spacer, Gear
30	56304782	1	Machining, Housing Steering
31	56305521	1	Bracket, Cylinder Mount
32	56305041	1	Rack



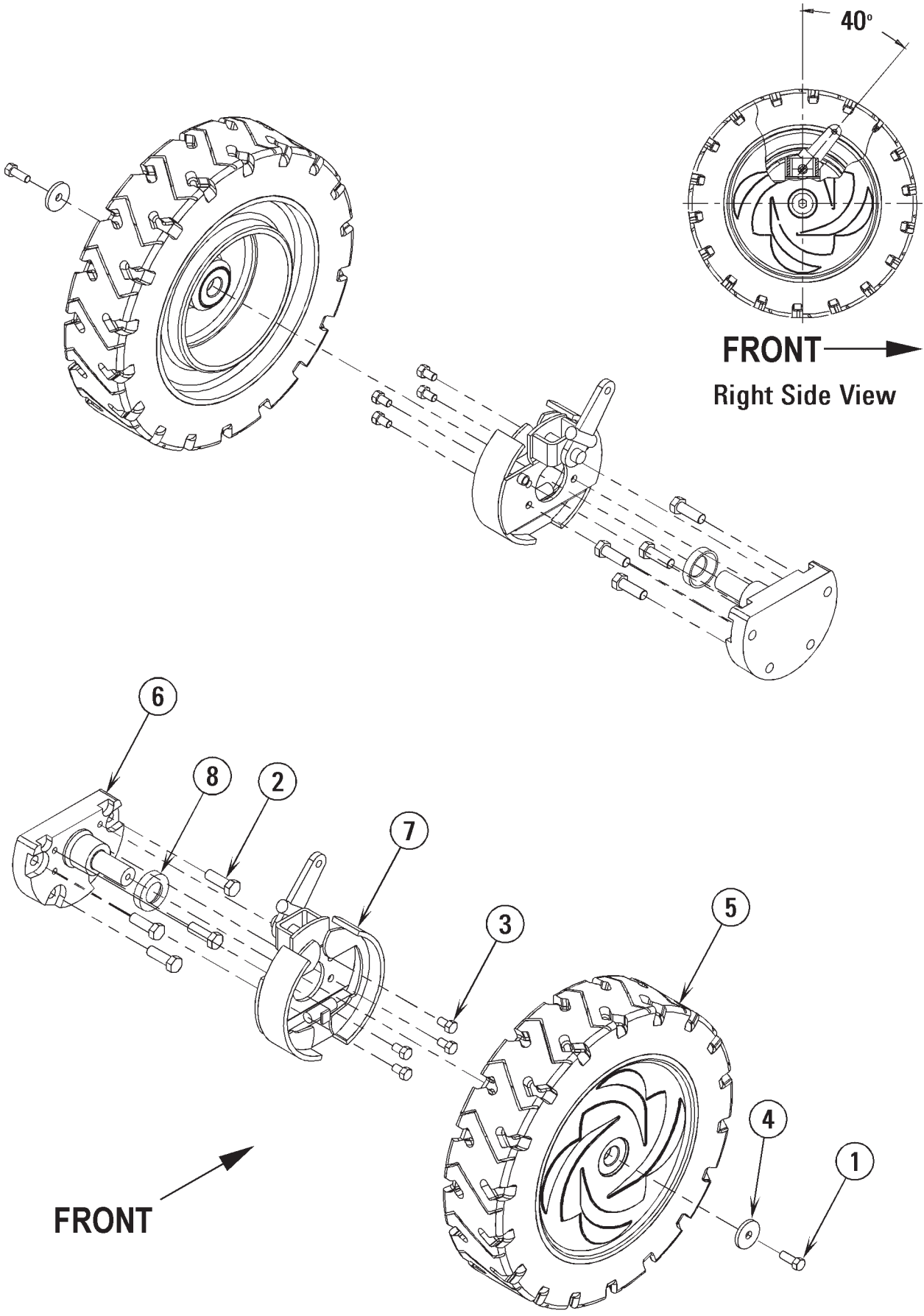
Item	Ref. No.	Qty	Description
1	56002093	2	Scr, Hex Hd 1/4-20 x 1.00
2	56001939	1	Wsh, Flt SAE 5/16
3	56002015	2	Scr, Soc Set Loc 10-24 x .25
4	56002063	3	Wsh, Flt SAE 3/8
5	56002098	2	Wsh, Flt SAE 1/4
6	56002221	2	Scr, Hex Hd 5/16-18 x 1.00
7	56002453	2	Scr, Pan Phil 10-24 x .25
8	56002701	4	Nut, Hex Nyl Loc 5/16-18
9	56002708	2	Nut, Hex Nyl Loc 1/4-20
10	56002956	1	Scr, Hex Hd Loc 5/16-18 x .75
11	56009001	1	Wsh, Bowed .516 x .906 x .008
12	56009003	1	Wsh, Flt .516 x .938 x .075
13	56009019	1	Scr, Hex Thd Form 1/4-20 x .38
14	56009086	2	Nut, Hex Jam 5/16-18
15	56320595	1	Bushing .32 x .50 x .28
16	56321532	2	Bushing .25 x .37 x .40
17	56370754	2	Bearing, Sleeve
18	56416280	1	Shield, Shaker
19	56416289	1	Filter Clamp Weldt
20	56416511	1	Latch, Shaker
21	56416618	1	Filter Assy
22	56416625	2	Shaker Hinge Weldt
23	56416675	2	Bushing, Flange
24	56418389	1	Motor, 12VDC
25	56418488	1	Impeller Assy (4 & 29-35)
26	56468329	2	U-Bolt
27	56491822	1	Eccentric
28	56409769	1	Clip, Weatherpack Mount
29	56002826	4	Nut, Hex Nyl Loc-Thin 5/16-18
30	56002866	1	Nut, Hex Nyl Loc-Thin 5/16-24
31	56002923	4	Scr, Hex Hd Loc 5/16-18 x .50
32	56009107	1	Wsh, Flt SS .378 x 1.000 x .120
33	56418784	1	Impellor Bracket Weldt
34	56418897	1	Impeller
35	56419370	1	Trim-Seal



03-5	ELECTRICAL SYSTEM	BOOK E		
04-2	Captor™ 4300, 4800, 5400 / CR 1100, 1200, 1400	E	14.3.1	19

Item	Ref. No.	Qty	Description
1	56442054	1	Horn, 12 Volt
2	56305396	1	Assembly, Relay Mount (Petrol / LPG)
	56305386	1	Weldment, Relay Mount
	56009063	4	Scr, Hex Thd Form 10-24 x .25
	56418387	1	Relay, SPDT (K1 / Horn / top relay)
	56418387	1	Relay, SPDT (K2 / Lights / 2 nd relay)
	56418387	1	Relay, SPDT (K3 / Shaker / 3 rd relay)
	56418387	1	Relay, SPDT (K4 / Neutral / bottom relay)
	56305859	1	Assembly, Relay Mount (Diesel)
	56305386	1	Weldment, Relay Mount
	56009063	5	Scr, Hex Thd Form 10-24 x .25
	56418387	1	Relay, SPDT (K1 / Horn / top relay)
	56418387	1	Relay, SPDT (K2 / Lights / 2 nd relay)
	56418387	1	Relay, SPDT (K3 / Shaker / 3 rd relay)
	56418387	1	Relay, SPDT (K4 / Neutral / 4th relay)
	56418387	1	Relay, SPDT (K5 / Accessory / bottom relay)
3	56305288	1	Control Box Assembly
4	56305237	2	Bulb, Light
5	56305053	2	Sensor, Proximity (S12 / Hopper Interlock & S16 / Main Broom)
6	56486112	1	Clamp, P
7	56001954	1	Wsh, Fit SAE #10
8	56002733	1	Scr, Pan Phil 10-24 x .88
9	56002768	1	Nut, Hex Nyl Loc 10-24
10	56009033	1	Scr, Hex Thd Form 1/4-20 x .50
11	56009069	2	Scr, Pan Phil Loc 1/4-20 x .50
12	56305660	1	Light, Red LED Indicator (H8 / Broom Pressure)
13	56009019	1	Scr, Hex Thd Form 1/4-20 x .38
*	56304758	1	Harness, Main (Petrol / LPG)
*	56305797	1	Harness, Main (Diesel)
*	56305012	1	Cable, Pos. Battery
*	56305013	1	Cable, Neg. Battery
*	56305499	1	Cable Assy
*	56304421	1	Harness, Hopper
*	56304759	1	Harness, Shaker
*	56304780	1	Cord Asm, Hopper
*	56372673	2	Boot, Battery Post

* = Not Shown



03-5	FRONT WHEEL SYSTEM	BOOK E		
04-5	Captor™ 4300, 4800, 5400 / CR 1100, 1200, 1400	E	14.3.1	21

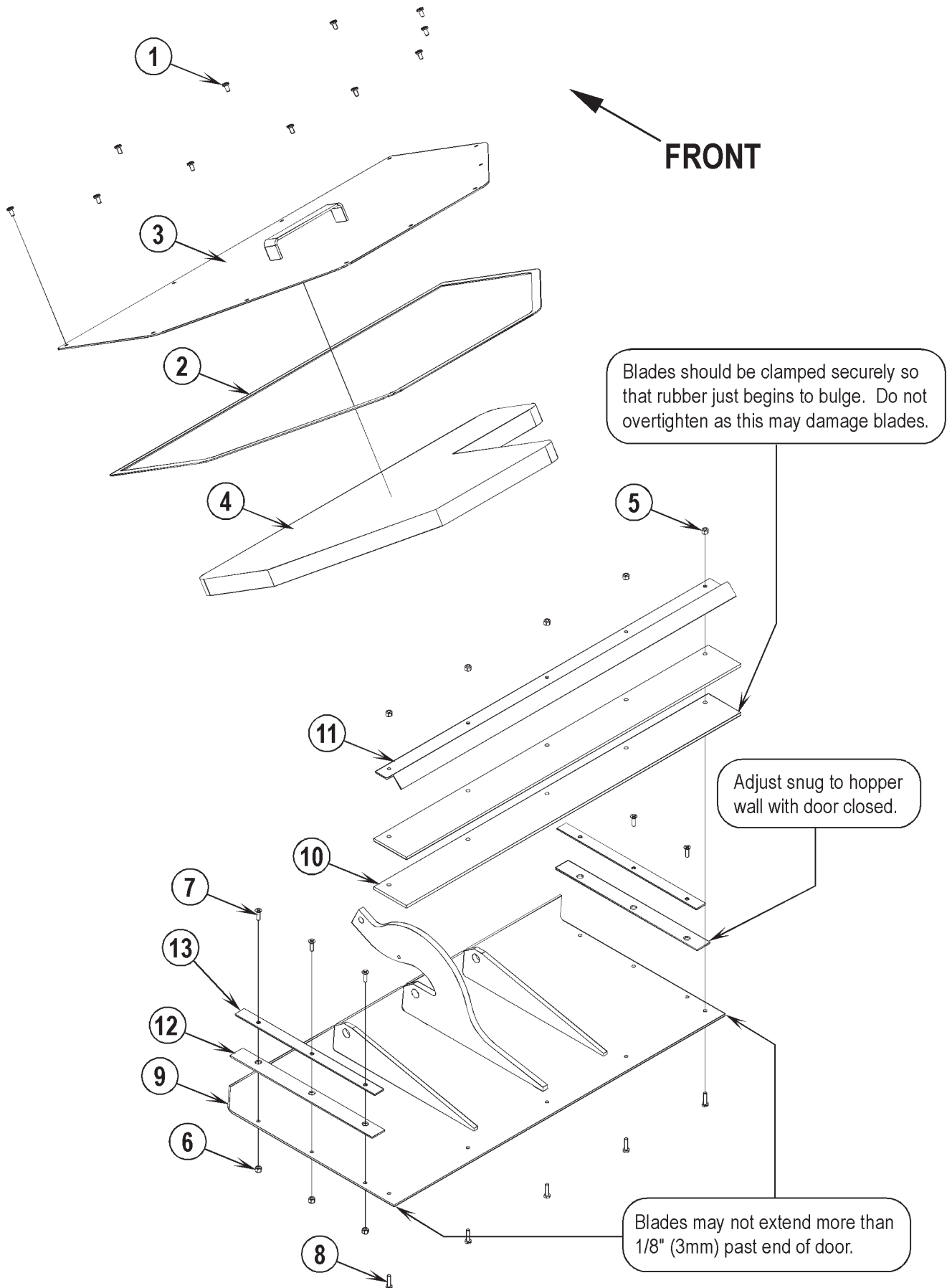
Item	Ref. No.	Qty	Description
1	56002947	2	Scr, Hex Hd Loc 3/8-16 x 1.00
2	56002954	8	Scr, Hex Hd Loc 1/2-13 x 1.50
3	56003079	8	Scr, Hex Hd Loc 3/8-16 x .75
4	56367117	2	Wsh, Flt .406 x 1.5 x .1875
5	56304020	2	Front Wheel Assy
*	56479430	2	Bearing, Ball (2 per wheel assy)
*	56304024	1	Tire, Front (1 per wheel assy)
*	56304021	1	Hub, Front (1 per wheel assy)
6	56305927	2	Machining, Front Spindle
7	56410012	2	Brake Assy
*	56305600	A/R	Brake Shoe (2 required per Brake Assy)
*	56418580	A/R	Lever (1 required per Brake Assy)
8	56305742	2	Spindle Spacer

* = Not Shown

Item	Ref. No.	Qty	Description	Item	Ref. No.	Qty	Description
1	56001818	1	Scr, Pan Phil 8-32 x .38	41	56360627	2	Bushing
2	56001831	2	Scr, Hex Hd 1/2-13 x 1.25	42	56370878	2	Bearing, Sleeve
3	56001834	2	Scr, Hex Hd 5/16-18 x 1.25	43	56409463	1	Clamp, 1.25 Hose Support
4	56001836	8	Scr, Hex Hd 1/4-20 x .62	44	56416253	2	Hinge Weldt
5	56001879	2	Wsh, Flt SAE 1/2	45	56416308	2	Left Hinge Pin Weldt
6	56001939	7	Wsh, Flt SAE 5/16	46	56416498	2	Collar, Hopper Hinge
7	56002037	2	Scr, Hex Hd 5/16-18 x .88	47	56416674	2	Filter Clamp Weld't
8	56002063	4	Wsh, Flt SAE 3/8	48	56418625	1	Pin, Cylinder Short
9	56002098	4	Wsh, Flt SAE 1/4	49	56442011	3	Clamp, P
10	56002221	1	Scr, Hex Hd 5/16-18 x 1.00	50	56449221	2	Bumper, 1.43 Dia
11	56002491	15	Nut, Hex Nyl Loc SS 1/4-20	51	56462746	2	Latch
12	56002701	3	Nut, Hex Nyl Loc 5/16-18	52	56481546	1	Plug, Hex Pipe
13	56002721	2	Scr, Hex Hd 5/16-18 x 2.00	*	56486112	2	Clamp, Cable
14	56002807	5	Scr, Hex Hd SS 1/4-20 x .75	53	56388766	6	Washer, Balance – 12.5 Gr.
15	56002826	4	Nut, Hex Nyl Loc-Thin 5/16-18	54	56486116	3	Grommet
16	56002843	2	Nut, Hex Nyl Loc-Thin 1/2-13	55	56003120	1	Pin, Cotter Hair .0915 x .375
17	56002865	1	Nut, Hex Nyl Loc-Thin 8-32	56	56304416	1	Bracket, Magnetic Switch
18	56002922	6	Scr, Hex Hd Loc 1/4-20 x .62	57	56304526	1	Prop Rod Weldt
19	56002929	1	Scr, Hex Hd Loc 5/16-18 x .62	58	56304548	1	Cable Assy
20	56002938	2	Wsh, Flt SAE SS 5/16	59	56304596	1	Dump Door Assy
21	56002947	4	Scr, Hex Hd Loc 3/8-16 x 1.00	60	56304617	1	Gasket
22	56003081	4	Scr, Soc Set Loc 3/8-16 x .38	61	56304665	1	Skirt, Hopper
23	56003086	10	Scr, Flt Phil SS 1/4-20 x .88	**	56305593	1	Skirt, Hopper Heavy
24	56003258	2	Ring, Ret Ext	62	56304677	2	Hinge Plate
25	56009002	4	Wsh, Flt .266 x .906 x .060	63	56304683	2	Pin Hopper Hinge Weldt
26	56009012	5	Scr, Hex Thd Form 10-24 x .38	64	56304685	1	Bracket, Prop
27	56009016	2	Nut, Hex Jam 1/2-13	65	56304768	2	Lamp, 12V
28	56009018	2	Scr, Hex Thd Form 1/4-20 x .75	66	56304807	2	Strap, Hopper
29	56009019	2	Scr, Hex Thd Form 1/4-20 x .38	67	56304810	1	Seal, Horizontal
30	56009029	4	Scr, Pan Phil Thd Form 10-24 x .50	68	56304815	1	Blade
31	56009033	5	Scr, Hex Thd Form 1/4-20 x .50	69	56304816	1	Strap
32	56009086	1	Nut, Hex Jam 5/16-18	70	56304832	1	Cover, Hopper
33	56009095	1	Nut, Conduit Lock 1/2-14	71	56304833	1	Cover, Hopper Bottom
34	56009122	1	Wsh, Flt .344 x .938 x .125	72	56304863	1	Prop Rod
35	56009139	8	Scr, Pan Phil Loc 10-24 x .38	73	56304896	1	Bearing, Sleeve 1.125 x 1.375 x 1.00
36	56244937	1	Bushing, Flange .328	74	56304897	1	Bearing, Sleeve 1.125 x 1.375 x .500 TSBUS2004-865
37	56300241	2	Bushing .33 x .5 x 1.3	75	56305183	1	Bracket, Lower Hopper Cover
38	56320595	3	Bushing .32 x .50 x .28	76	56305190	1	Access Panel Assembly
39	56323135	1	Strain Relief	77	56305196	1	Blade, Dust Shield
40	56342319	2	Clamp, P	78	56305465	1	Hopper Weldt
				79	56409769	1	Clip, Weatherpack Mount
				80	56419264	1	Boot, Hopper
				81	56419265	1	Plate, Boot

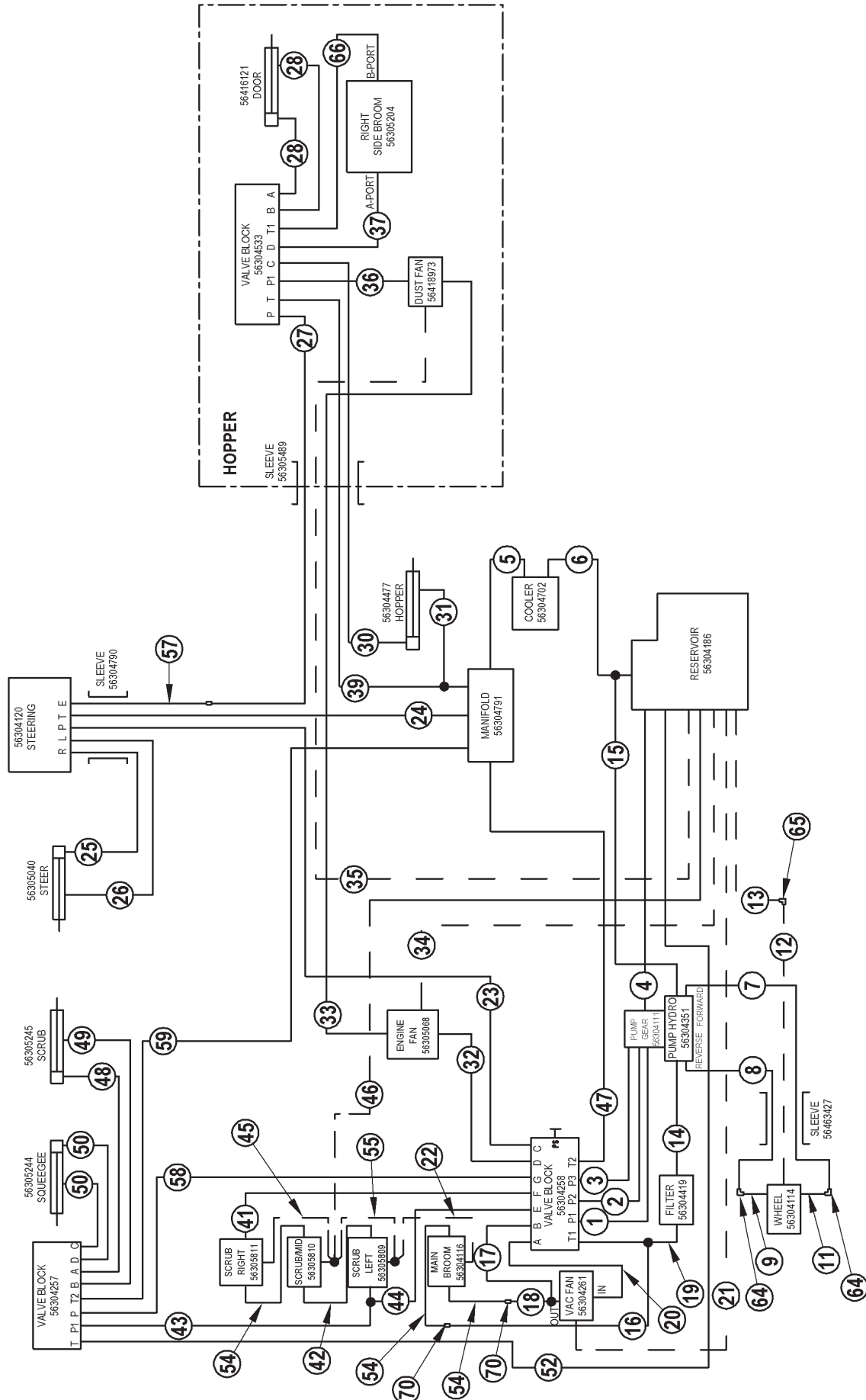
* = Not Shown

** = Optional



03-5	HOPPER SYSTEM SUB-ASSEMBLIES	BOOK E		
04-2	Captor™ 4300, 4800, 5400 / CR 1100, 1200, 1400	E	14.3.1	25

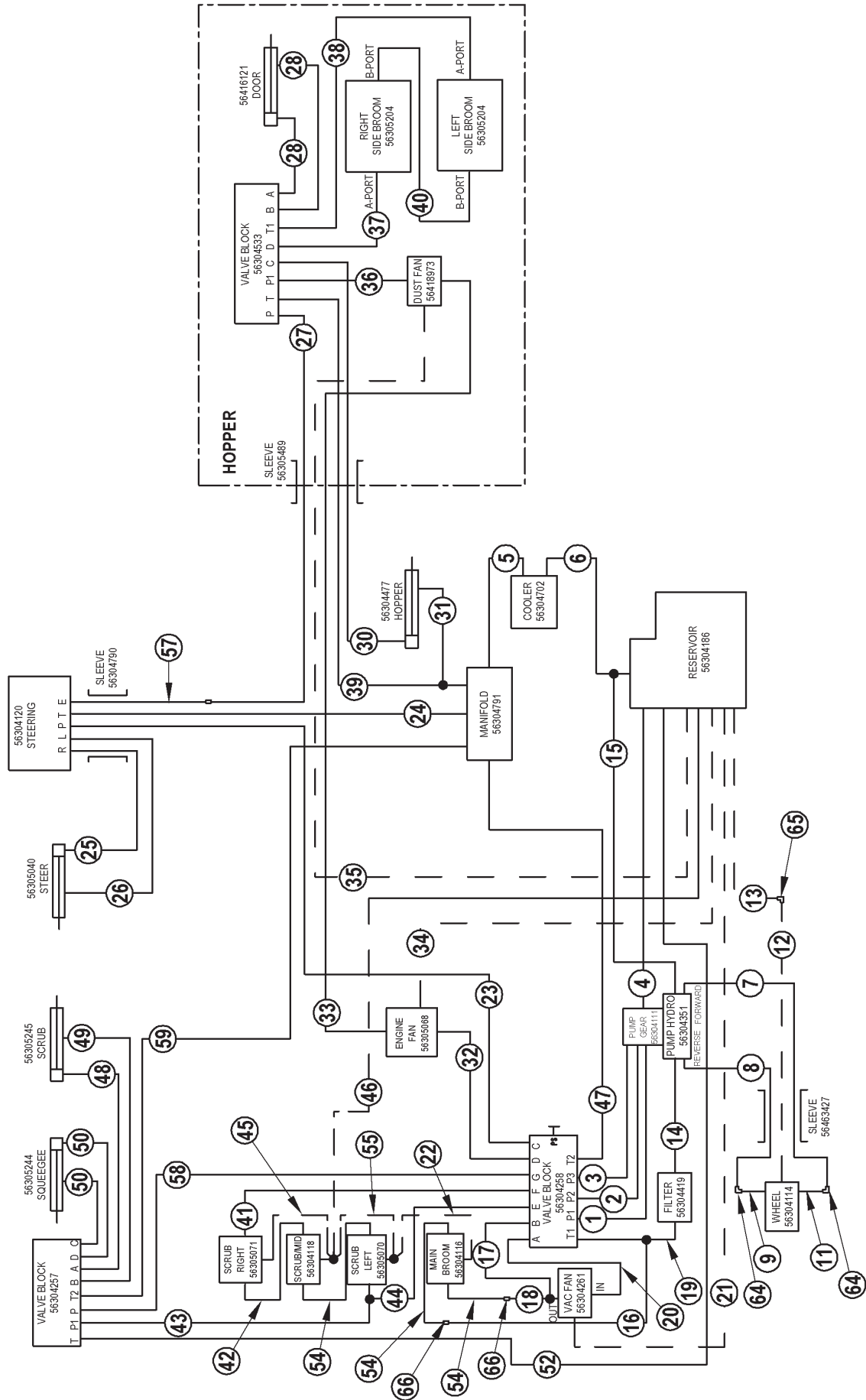
Item	Ref. No.	Qty	Description
	56305190	1	Access Panel Assy (1-4)
	56304596	1	Dump Door Assy (5-13)
1	56009030	11	Scr, Pan Phil Thd Form 10-24 x .38
2	56200754	6.5	Gasket, Strip-Raw Stock (qty in feet)
3	56304401	1	Access Panel Weldt
4	56304729	1	Foam, Access Panel
5	56002850	5	Nut, Hex Nyl Loc-Thin SS 1/4-20
6	56002491	6	Nut, Hex Nyl Loc SS 1/4-20
7	56003086	6	Scr, Flt Phil SS 1/4-20 x .88
8	56002883	5	Scr, Hex Hd SS 1/4-20 x 1.00
9	56304597	1	Dump Door Weld't
10	56304808	2	Blade, Hopper Door
11	56304809	1	Angle
12	56419440	2	Wiper, Dump Door
13	56419441	2	Strap



03-5	HYDRAULIC SCHEMATIC (43" MODELS)	BOOK E		
05-1	Captor™ 4300, 4800, 5400 / CR 1100, 1200, 1400	E	14.3.1	27

Item	Ref. No.	Qty	Description
1	56305130	1	Hose Assy
2	56305131	1	Hose Assy
3	56305132	1	Hose Assy
4	56305133	1	Hose Assy
5	56305134	1	Hose Assy
6	56305135	1	Hose Assy
7	56305498	1	Hose Assy
8	56305136	1	Hose Assy
9	56305137	1	Hose Assy
11	56305139	1	Hose Assy
12	56305140	1	Hose Assy
13	56305141	1	Hose Assy
14	56305142	1	Hose Assy
15	56305143	1	Hose Assy
16	56305144	1	Hose Assy
17	56305145	1	Hose Assy
18	56305146	1	Hose Assy
19	56305147	1	Hose Assy
20	56305148	1	Hose Assy
21	56305149	1	Hose Assy
22	56305150	1	Hose Assy
23	56305151	1	Hose Assy
24	56305152	1	Hose Assy
25	56305153	1	Hose Assy
26	56305154	1	Hose Assy
27	56305155	1	Hose Assy
28	56305156	2	Hose Assy
30	56305158	1	Hose Assy
31	56305159	1	Hose Assy
32	56305160	1	Hose Assy
33	56305161	1	Hose Assy
34	56305162	1	Hose Assy
35	56305163	1	Hose Assy
36	56305164	1	Hose Assy
37	56305165	1	Hose Assy
39	56305167	1	Hose Assy
41	56305169	1	Hose Assy
42	56305813	1	Hose Assy
43	56305171	1	Hose Assy
44	56305172	1	Hose Assy
45	56305173	1	Hose Assy
46	56305174	1	Hose Assy
47	56305175	1	Hose Assy
48	56305176	1	Hose Assy
49	56305177	1	Hose Assy
50	56305178	2	Hose Assy
52	56305180	1	Hose Assy
54	56305814	3	Hose Assy
55	56305182	1	Hose Assy
57	56305138	1	Hose Assy
58	56305532	1	Hose Assy
59	56305533	1	Hose Assy
64	56900404	2	Elbow, 90 Bulkhead Union
65	56900401	1	Elbow, 90 Bulkhead Union
66	56305852	1	Hose Assy
67	56305024	8	P-Clamp (not shown)
68	56409463	1	P-Clamp (not shown)
69	56496276	1	P-Clamp (not shown)
70	56419064	2	Locknut, Bulkhead

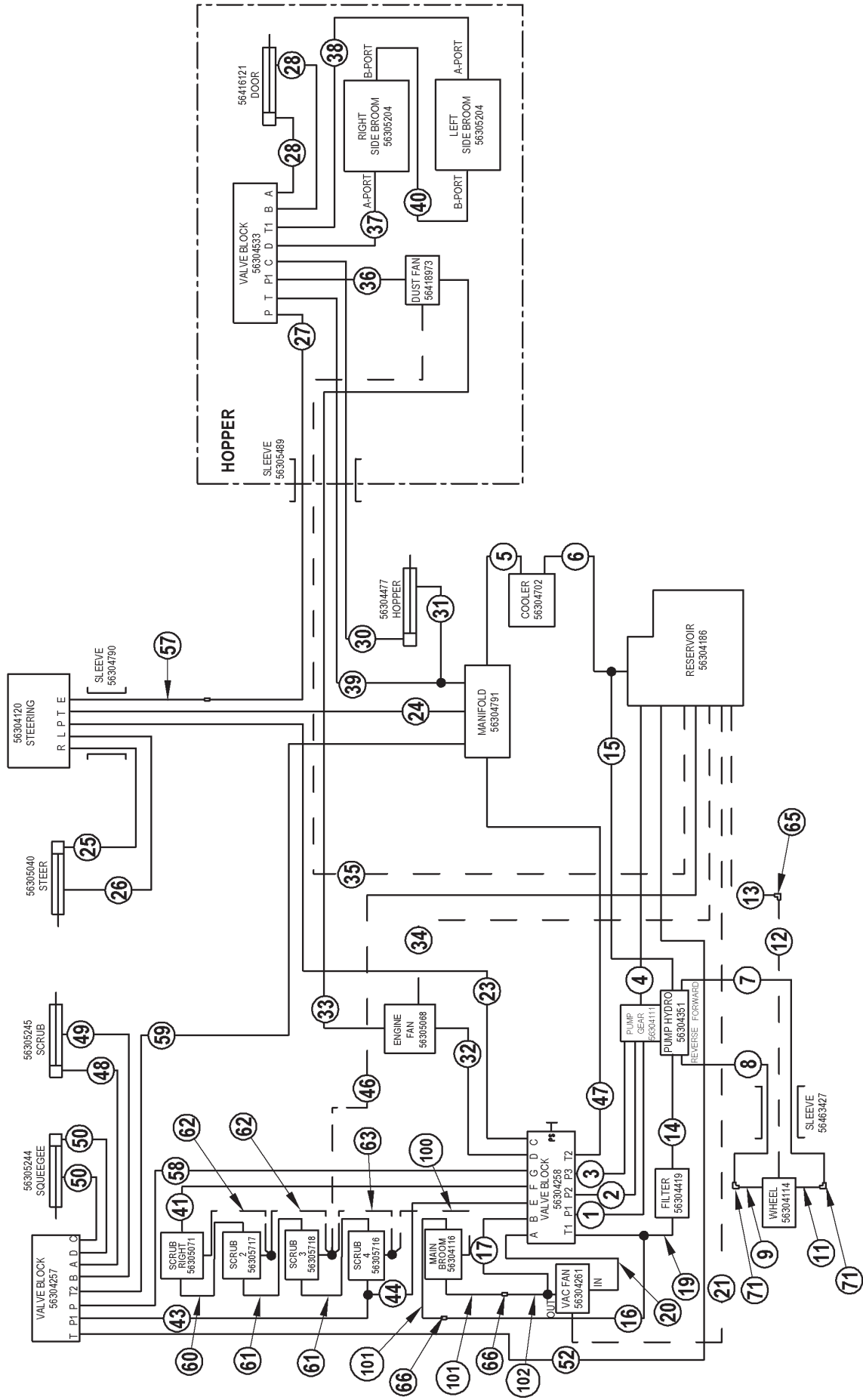
NOTE: See Parts List Form Number 56042445 for illustrated breakdowns of each hydraulic sub-assembly.



03-5	HYDRAULIC SCHEMATIC (48" MODELS)	BOOK E		
05-1	Captor™ 4300, 4800, 5400 / CR 1100, 1200, 1400	E	14.3.1	29

Item	Ref. No.	Qty	Description
1	56305130	1	Hose Assy
2	56305131	1	Hose Assy
3	56305132	1	Hose Assy
4	56305133	1	Hose Assy
5	56305134	1	Hose Assy
6	56305135	1	Hose Assy
7	56305498	1	Hose Assy
8	56305136	1	Hose Assy
9	56305137	1	Hose Assy
11	56305139	1	Hose Assy
12	56305140	1	Hose Assy
13	56305141	1	Hose Assy
14	56305142	1	Hose Assy
15	56305143	1	Hose Assy
16	56305144	1	Hose Assy
17	56305145	1	Hose Assy
18	56305146	1	Hose Assy
19	56305147	1	Hose Assy
20	56305148	1	Hose Assy
21	56305149	1	Hose Assy
22	56305150	1	Hose Assy
23	56305151	1	Hose Assy
24	56305152	1	Hose Assy
25	56305153	1	Hose Assy
26	56305154	1	Hose Assy
27	56305155	1	Hose Assy
28	56305156	2	Hose Assy
30	56305158	1	Hose Assy
31	56305159	1	Hose Assy
32	56305160	1	Hose Assy
33	56305161	1	Hose Assy
34	56305162	1	Hose Assy
35	56305163	1	Hose Assy
36	56305164	1	Hose Assy
37	56305165	1	Hose Assy
38	56305166	1	Hose Assy
39	56305167	1	Hose Assy
40	56305168	1	Hose Assy
41	56305169	1	Hose Assy
42	56305170	1	Hose Assy
43	56305171	1	Hose Assy
44	56305172	1	Hose Assy
45	56305173	1	Hose Assy
46	56305174	1	Hose Assy
47	56305175	1	Hose Assy
48	56305176	1	Hose Assy
49	56305177	1	Hose Assy
50	56305178	2	Hose Assy
52	56305180	1	Hose Assy
54	56305181	3	Hose Assy
55	56305182	1	Hose Assy
57	56305138	1	Hose Assy
58	56305532	1	Hose Assy
59	56305533	1	Hose Assy
64	56900404	2	Elbow, 90 Bulkhead Union
65	56900401	1	Elbow, 90 Bulkhead Union
66	56419064	2	Locknut, Bulkhead
67	56305024	9	P-Clamp (not shown)
68	56409463	1	P-Clamp (not shown)
69	56496276	1	P-Clamp (not shown)

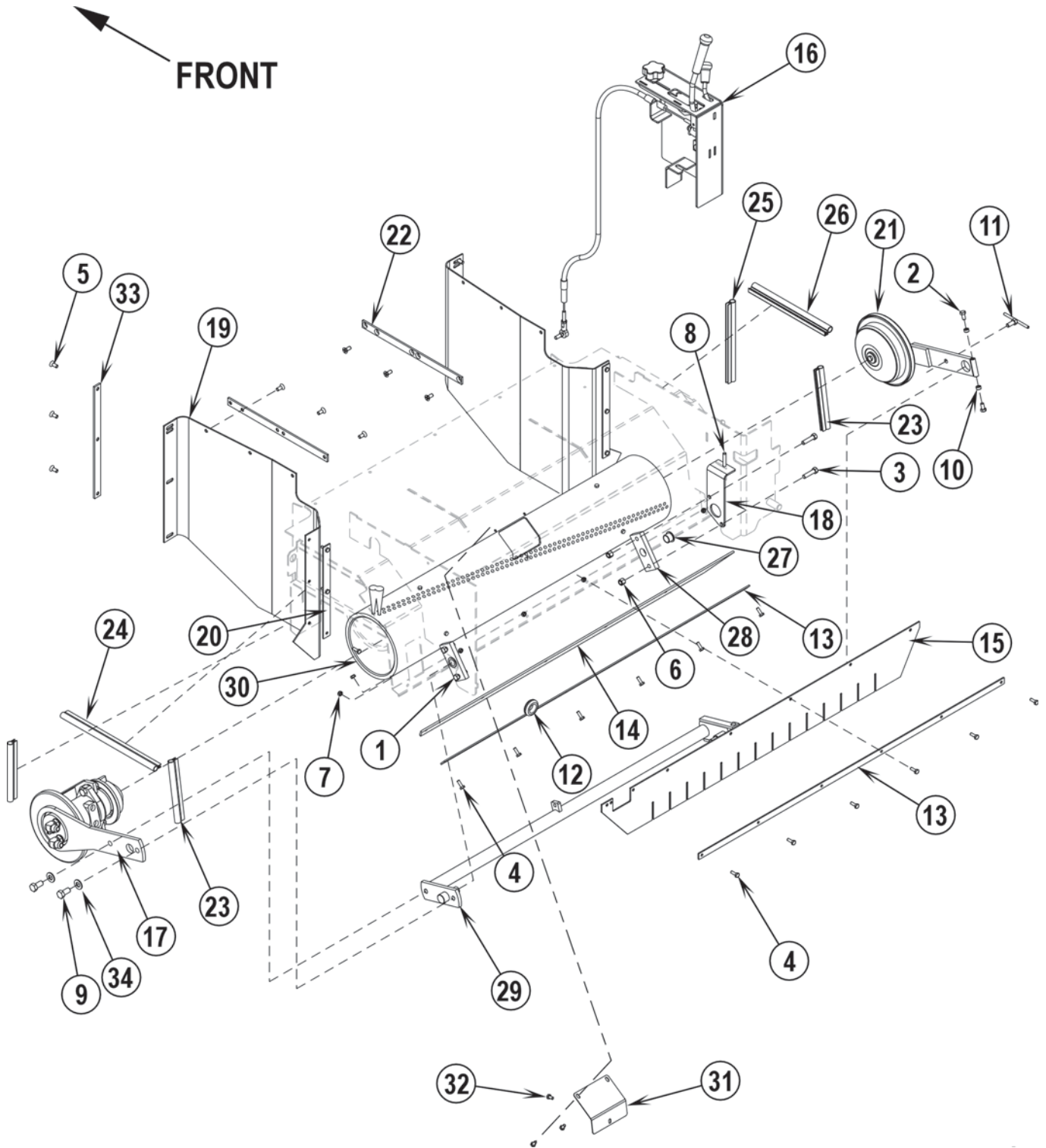
NOTE: See Parts List Form Number 56042445 for illustrated breakdowns of each hydraulic sub-assembly.



03-5	HYDRAULIC SCHEMATIC (54" MODELS)	BOOK E		
04-4	Captor™ 4300, 4800, 5400 / CR 1100, 1200, 1400	E	14.3.1	31

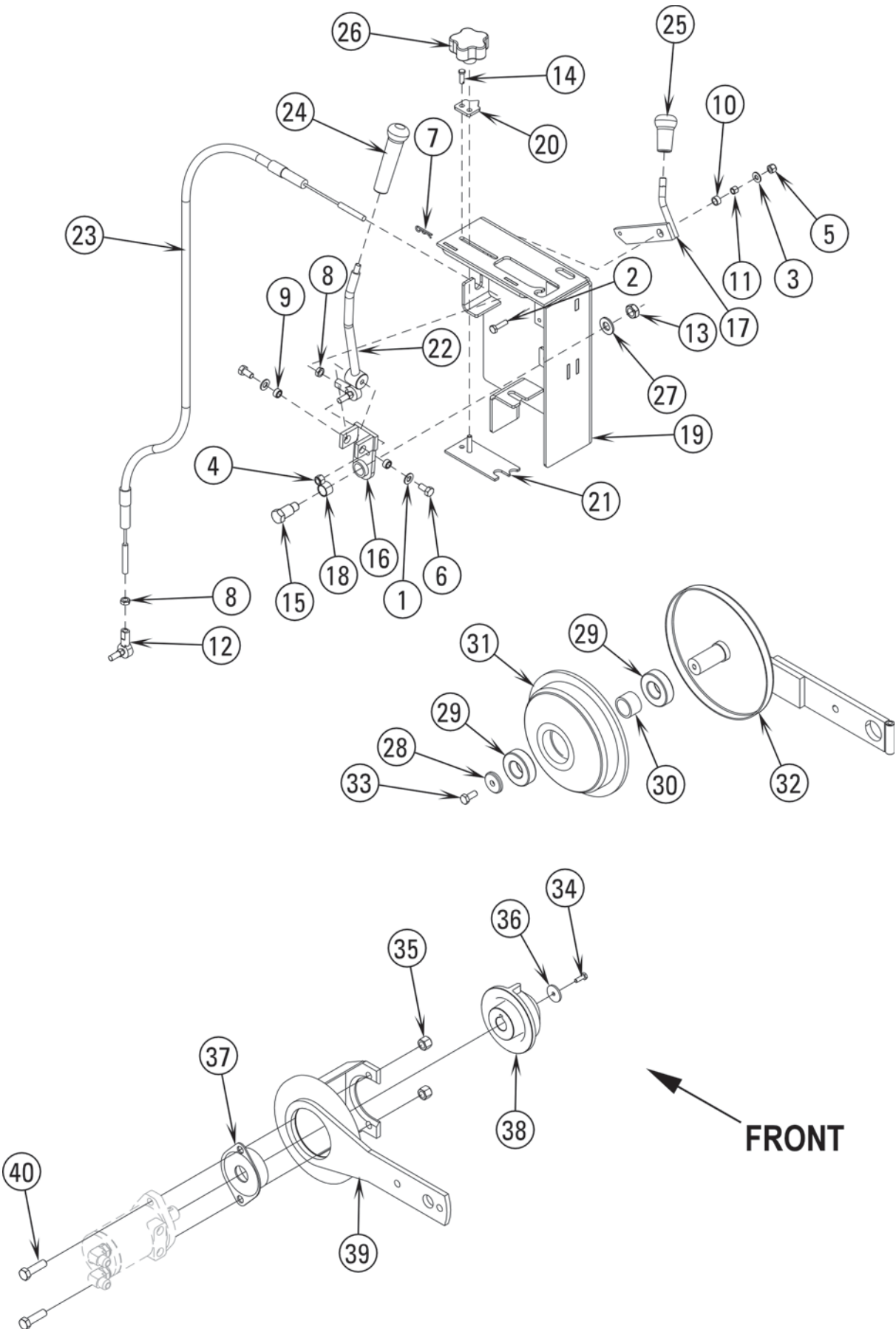
Item	Ref. No.	Qty	Description
1	56305130	1	Hose Assy
2	56305131	1	Hose Assy
3	56305132	1	Hose Assy
4	56305133	1	Hose Assy
5	56305134	1	Hose Assy
6	56305135	1	Hose Assy
7	56305498	1	Hose Assy
8	56305136	1	Hose Assy
9	56305137	1	Hose Assy
11	56305139	1	Hose Assy
12	56305140	1	Hose Assy
13	56305141	1	Hose Assy
14	56305142	1	Hose Assy
15	56305143	1	Hose Assy
16	56305144	1	Hose Assy
17	56305145	1	Hose Assy
19	56305147	1	Hose Assy
20	56305148	1	Hose Assy
21	56305149	1	Hose Assy
23	56305151	1	Hose Assy
24	56305152	1	Hose Assy
25	56305153	1	Hose Assy
26	56305154	1	Hose Assy
27	56305155	1	Hose Assy
28	56305156	2	Hose Assy
30	56305158	1	Hose Assy
31	56305159	1	Hose Assy
32	56305160	1	Hose Assy
33	56305161	1	Hose Assy
34	56305162	1	Hose Assy
35	56305163	1	Hose Assy
36	56305164	1	Hose Assy
37	56305165	1	Hose Assy
38	56305166	1	Hose Assy
39	56305167	1	Hose Assy
40	56305168	1	Hose Assy
41	56305169	1	Hose Assy
43	56305171	1	Hose Assy
44	56305172	1	Hose Assy
46	56305174	1	Hose Assy
47	56305175	1	Hose Assy
48	56305176	1	Hose Assy
49	56305177	1	Hose Assy
50	56305178	2	Hose Assy
52	56305180	1	Hose Assy
57	56305138	1	Hose Assy
58	56305532	1	Hose Assy
59	56305533	1	Hose Assy
60	56305673	1	Hose Assy
61	56305674	2	Hose Assy
62	56305675	2	Hose Assy
63	56305676	1	Hose Assy
65	56900401	1	Elbow, 90 Bulkhead Union
66	56419064	2	Locknut, Bulkhead
67	56305024	8	P-Clamp (not shown)
68	56409463	1	P-Clamp (not shown)
69	56496276	1	P-Clamp (not shown)
71	56900404	1	Elbow, 90 Bulkhead Union
100	56305925	1	Hose Assy
101	56305754	2	Hose Assy
102	56305936	1	Hose Assy

NOTE: See Parts List Form Number 56042445 for illustrated breakdowns of each hydraulic sub-assembly.

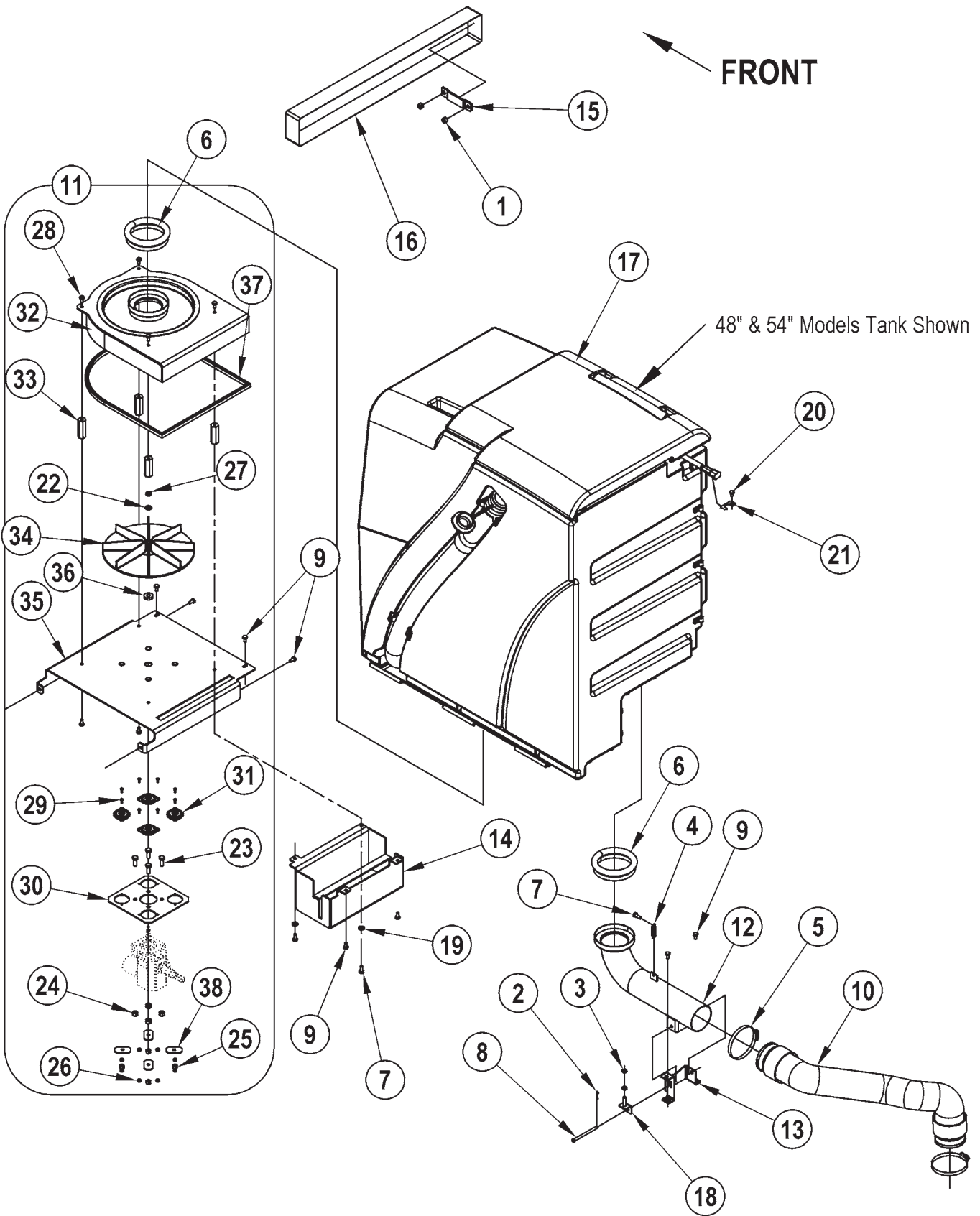


Item	Ref. No.	Qty	Description
1	56001858	2	Scr, Hex Hd 3/8-16 x 1.25
2	56002035	2	Scr, Hex Hd 5/16-18 x .62
3	56002095	2	Scr, Hex Hd 3/8-16 x 1.50
4	56002155	18	Scr, Hex Hd 1/4-20 x .75
5	56002395	12	Scr, Flt Phil 5/16-18 x .75
6	56002769	4	Nut, Hex Nyl Loc 3/8-16
7	56002840	12	Nut, Hex Nyl Loc-Thin 1/4-20
8	56002013	1	Scr, Hex Thd to Hd 5/16-18 x 2.00
9	56003083	2	Scr, Hex Hd Loc 1/2-13 x 1.00
10	56320595	2	Bushing .32 x .50 x .28
11	56416382	1	Broom Arm Nut Weldt
12	56486116	1	Grommet
13	56303147	2	Strap, Rear
14	56303148	1	Skirt, Rear
15	56303149	1	Skirt, Rear
16	56304753	1	Lift Asm, Broom
17	56304913	1	Drive Lug Assy
18	56304919	1	Broom Adjuster
19	56304924	2	Skirt, Broom Housing
20	56304925	2	Strap, Vertical
21	56304979	1	Right Broom Arm Assy
22	56305102	4	Strap (qty of 2 after SN 1829990)
23	56305198	7.25	Gasket (Qty In Inches)
24	56305199	13.62	Gasket (Qty In Inches)
25	56305200	10	Gasket (Qty In Inches)
26	56305201	1	Gasket
27	56305255	2	Bearing, Flange
28	56305276	2	Pillow Block
29	56305399	1	Main Broom Hanger Weldt
30	56505955	1	Main Broom, Proex / Wire, 8 Double Rows
31	56305819	1	Cover, Access
32	56009033	3	Scr, Hex Thd Form 1/4-20 x .50
33	56305960	2	Strap (after SN 1829990)
34	56001879	2	Wsh, Flt SAE 1/2
**	56505951	1	Main Broom, Poly / Wire, 8 Double Rows
**	56505952	1	Main Broom, Proex, 12 Double Rows
**	56505953	1	Main Broom, Nylon, 8 Double Rows
**	56505954	1	Main Broom, Proex, 8 Double Rows
**	56505956	1	Main Broom, Prolene, 8 Double Rows

** = Optional

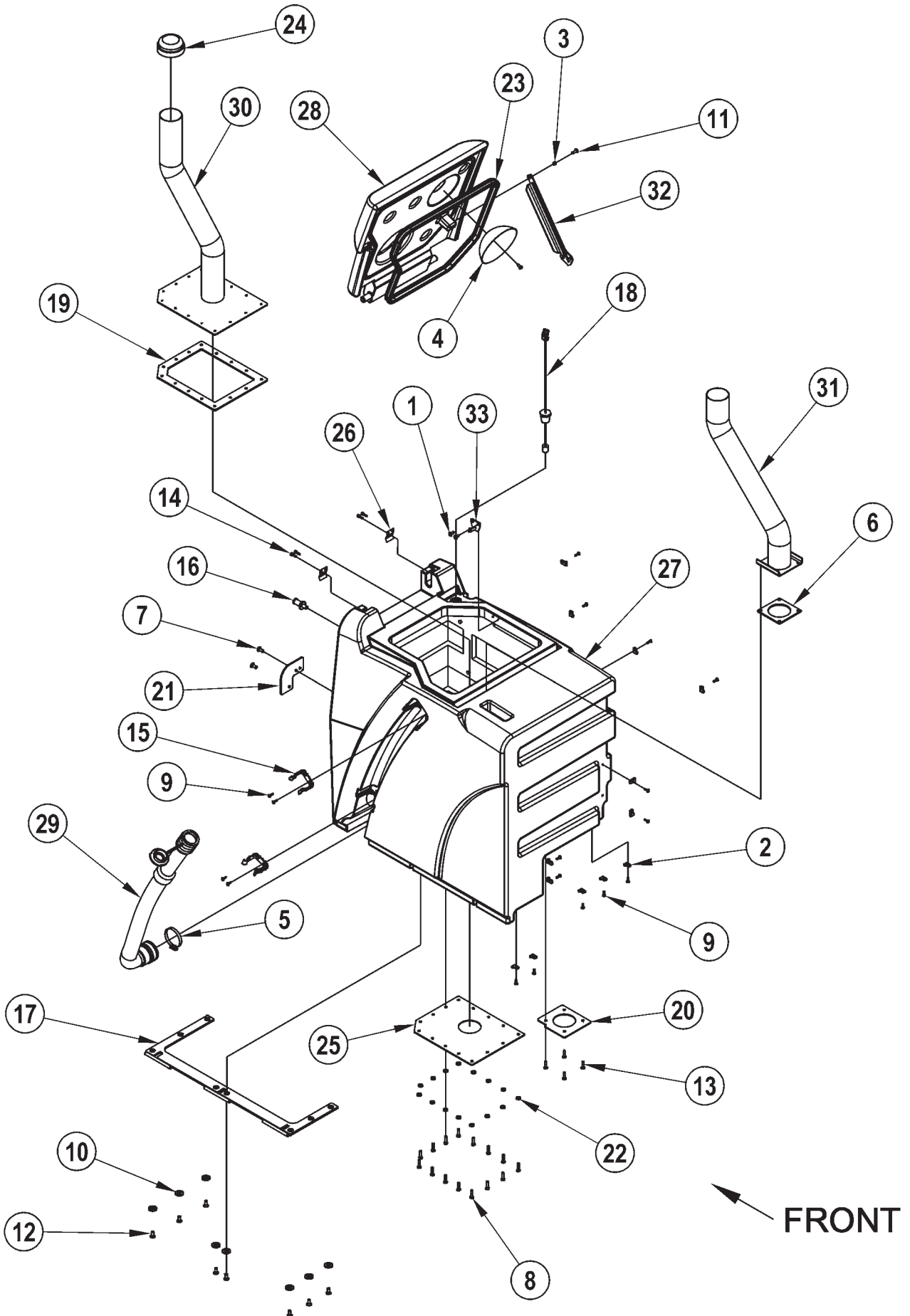


Item	Ref. No.	Qty	Description
	56304753	1	Lift Assy, Broom (1-27)
	56304979	1	Right Broom Arm Assy (28-33)
	56304913	1	Drive Lug Assy (34-40)
1	56001939	2	Wsh, Fit SAE 5/16
2	56002093	1	Scr, Hex Hd 1/4-20 x 1.00
3	56002098	1	Wsh, Fit SAE 1/4
4	56002950	1	Nut, Hex Nyl Loc 5/16-24
5	56002708	1	Nut, Hex Nyl Loc 1/4-20
6	56002929	2	Scr, Hex Hd Loc 5/16-18 x .62
7	56003332	1	Pin, Cot Hair .042 x .188
8	56009102	2	Nut, Hex Jam 5/16-24
9	56320595	2	Bushing .32 x .50 x .28
10	56368970	1	Bearing, Sleeve
11	56368989	1	Bushing
12	56477756	2	Rod End
13	56002843	1	Nut, Hex Nyl Loc-Thin 1/2-13
14	56003663	1	Clevis Pin .25 x .75
15	56171336	1	Bolt, Shoulder
16	56305474	1	Lift Pivot Weldment
17	56304345	1	Lever Weldment
18	56304586	1	Bearing .750 x .625 x .500
19	56304752	1	Weldment, Broom Lift
20	56304821	1	Plate, Indicator
21	56304822	1	Stop Plate Weldment
22	56304825	1	Lever Weldment
23	56305009	1	Cable, Broom Lift
24	56305010	1	Knob, Broom
25	56305011	1	Knob, Solution
26	56305030	1	Knob, Adjust
27	56001879	1	Wsh, Fit SAE 1/2
28	56358959	1	Washer, Flat
29	56479430	2	Bearing, Ball
30	56479434	1	Bushing
31	56493845	1	Hub-Idler
32	56304977	1	Right Broom Arm Weldt
33	56002956	1	Scr, Hex Hd Loc 5/16-18 x .75
34	56002155	1	Scr, Hex Hd 1/4-20 x .75
35	56002770	2	Nut, Hex Nyl Loc 1/2-13
36	56009199	1	Wsh, Fit Brass .266 x 1.250 x .125
37	56455997	1	Broom Motor Seal Guard
38	56477762	1	Hub, Driver
39	56305469	1	Broom Arm Weldment
40	56001995	2	Scr, Hex Hd 1/2-13 x 1.75



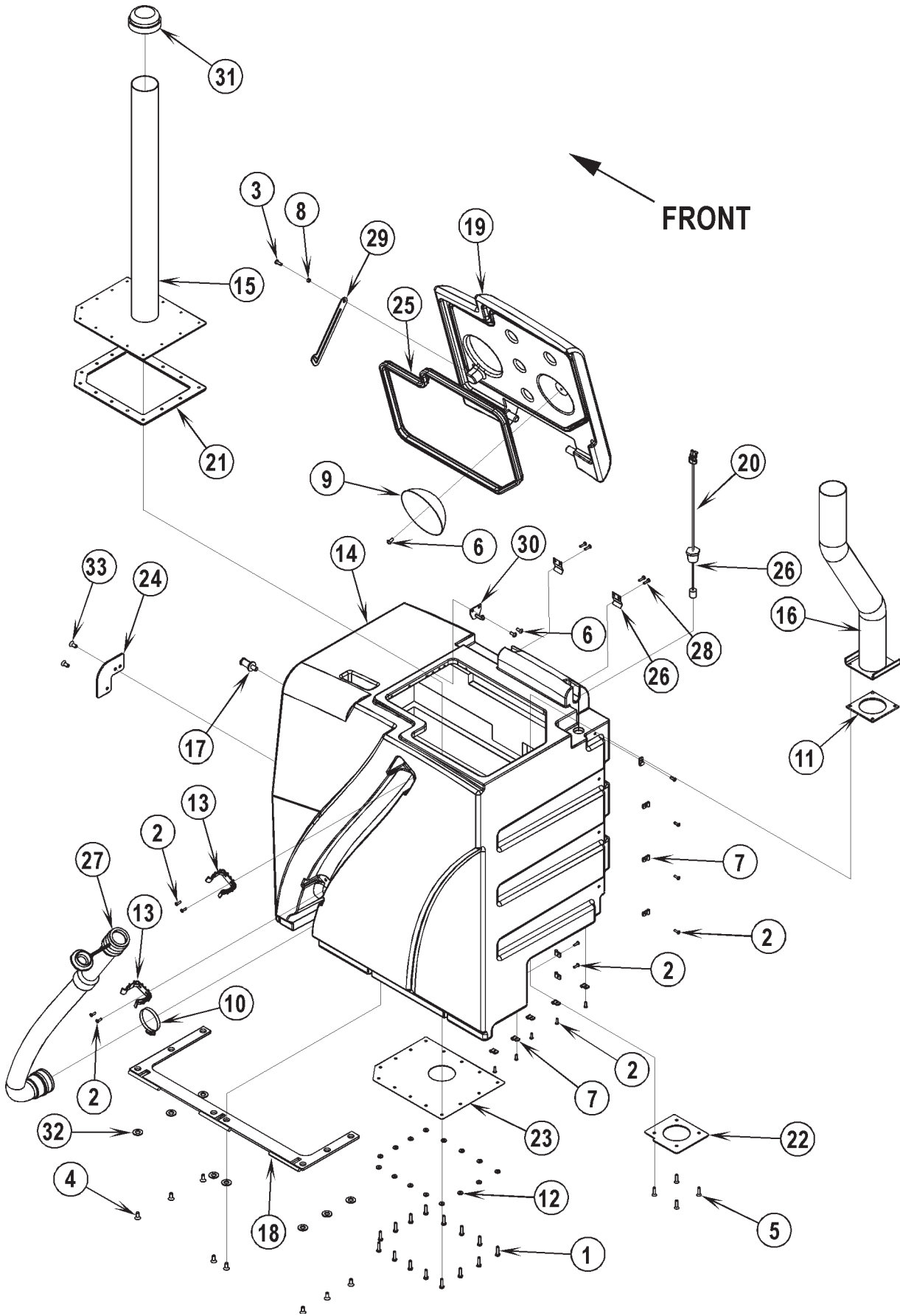
03-5	RECOVERY SYSTEM	BOOK E		
05-1	Captor™ 4300, 4800, 5400 / CR 1100, 1200, 1400	E	14.3.1	37

Item	Ref. No.	Qty	Description
1	56002701	2	Nut, Hex Nyl Loc 5/16-18
2	56003332	1	Pin, Cot Hair .042 x .188
3	56009087	2	Nut, Hex Jam 1/4-20
4	56112054	1	Spring, Extension .43 x .175
5	56352829	2	Clamp, Hose SAE #52
6	56455984	2	Gasket, Bulb
7	56002948	3	Scr, Hex Hd Loc 1/4-20 x .75
8	56003669	1	Clevis, Pin .25 x 3.50
9	56009033	8	Scr, Hex Thd Form 1/4-20 x .50
10	56305377	1	Hose, Assembly
11	56304800	1	Vac Fan Assembly (22-38)
12	56304840	1	Tube Weldment, Squeegee
13	56304844	1	Mount, Pivot
14	56305306	1	Vac Fan De ector Weldment
15	56305488	1	Tie Down
16	56305491	1	Tether
17	56305524	1	Recovery Tank Asm (43" Models)
	56305063	1	Recovery Tank Asm (48" & 54" Models)
18	56305721	1	Tab Adjust
19	56002098	2	Wsh, Fit SAE 1/4
20	56009019	1	Scr, Hex Thd Form 1/4-20 x .38
21	56409769	1	Clip, Weatherpack Mount
22	56002701	4	Nut, Hex Nyl Loc 5/16-18
23	56002708	4	Nut, Hex Nyl Loc 1/4-20
24	56002830	8	Nut, Hex Nyl Loc 6-32
25	56002866	1	Nut, Hex Nyl Loc-Thin 5/16-24
26	56001939	1	Wsh, Fit SAE 5/16
27	56002037	4	Scr, Hex Hd 5/16-18 x .88
28	56003039	6	Scr, Hex Hd Loc 1/4-20 x .50
29	56003068	8	Scr, Hex Hd 6-32 x .38
30	56304647	1	Plate, Motor Mount
31	56304652	4	Isolator, Vibration
32	56304805	1	Top Plate Weldment
33	56304806	4	Spacer
34	56305018	1	Impeller
35	56305019	1	Bottom Plate Weldment
36	56305022	1	Spacer, .375 x 1.00 x .25
37	56305212	1	Seal
38	56305714	4	Washer, Snubbing



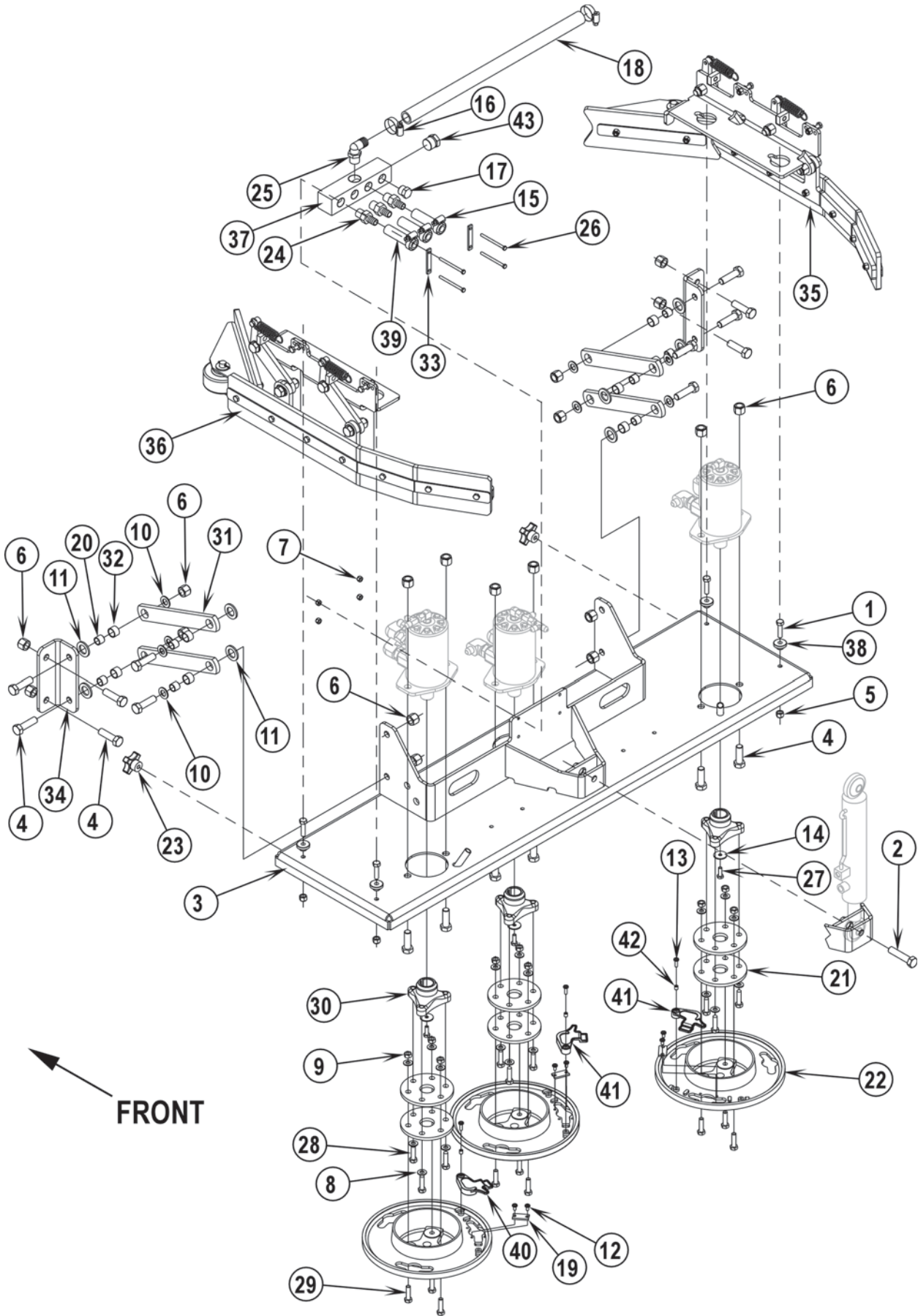
Item	Ref. No.	Qty	Description
	56305524	1	Recovery Tank Assy (43" Models)
1	56009120	3	Scr, Pan Phil SS Type B 1/4-14 x .62
2	56220507	13	Clamp, P (TSBUS2005-875)
3	56206784	1	Bushing
4	56454718	1	De ector
5	56456797	1	Clamp, Hose SAE #36
6	56459136	1	Gasket
7	56002395	2	Scr, Flt Phil 5/16-18 x .75
8	56002883	15	Scr, Hex Hd SS 1/4-20 x 1.00
9	56002896	17	Scr, Pan Phil SS 10-24 x .62
10	56002918	8	Wsh, Flt .SAE SS 1/2
11	56002957	1	Scr, Pan Phil SS 1/4-20 x .75
12	56003689	8	Scr, Flt Phil SS 5/16-18 x .75
13	56003074	4	Scr, Flt Phil SS 1/4-20 x 1.00
14	56009005	4	Scr, Pan Phil SS Type B 10-16 x .75
15	56212236	2	Clamp, Plastic
16	56304864	1	Pin, Slam Lock
17	56304871	1	Pivot Weldment
18	56305977	1	Switch, Liquid Level (S8) (TSBUS2005-875)
19	56305054	1	Gasket
20	56305060	1	Plate, Seal, Squeegee
21	56305202	1	Plate, Tether Cover
22	56900737	15	Washer, Sealing 1/4
23	56305834	1	Gasket
24	56305352	1	Screen, Fan Inlet
25	56305824	1	Plate, Seal, Vacuum
26	56305457	2	Clip, Lid
27	56305523	1	Tank, Recovery 60 Gal
28	56305548	1	Lid, Recovery Tank 60 Gal
29	56305624	1	Drain Hose
30	56305630	1	Standpipe Weldment, Left
31	56305632	1	Standpipe Weldment, Right
32	56305642	1	Support Arm
33	56305644	1	Prop Support Weldment

* = Not Shown



Item	Ref. No.	Qty	Description
	56305063	1	Recovery Tank Assy (48" & 54" Models)
1	56002883	15	Scr, Hex Hd SS 1/4-20 x 1.00
2	56002896	15	Scr, Pan Phil SS 10-24 x .62
3	56002957	1	Scr, Pan Phil SS 1/4-20 x .75
4	56003689	8	Scr, Flt Phil SS 5/16-18 x .75
5	56003074	4	Scr, Flt Phil SS 1/4-20 x 1.00
6	56009120	3	Scr, Pan Phil SS Type B 1/4-14 x .62
7	56220507	11	Clamp, P (TSBUS2005-875)
8	56206784	1	Bushing
9	56454718	1	De ector
10	56456797	1	Clamp, Hose SAE #36
11	56459136	1	Gasket
12	56900737	15	Washer, Sealing 1/4
13	56212236	2	Clamp, Plastic
14	56304483	1	Recovery Tank Assy
15	56304648	1	Standpipe Weldment, Left
16	56304653	1	Standpipe Weldment, Right
17	56304864	1	Pin, Slam Lock
18	56304871	1	Pivot Weldment
19	56305005	1	Lid, Recovery Tank
20	56305977	1	Switch, Liquid Level (S8) (TSBUS2005-875)
21	56305054	1	Gasket
22	56305060	1	Plate, Seal, Squeegee
23	56305061	1	Plate, Seal, Vacuum
24	56305202	1	Plate, Tether Cover
25	56305203	1	Gasket
26	56305457	2	Clip, Lid
27	56305215	1	Drain Hose
28	56009005	4	Scr, Pan Phil SS Type B 10-16 x .75
29	56305236	1	Slide
30	56305247	1	Support
31	56305352	1	Screen, Fan Inlet
32	56002918	8	Wsh, Flt SAE SS 1/2
33	56002395	2	Scr, Flt Phil 5/16-18 x .75
*	56478246	2	Tie, Cable

* = Not Shown



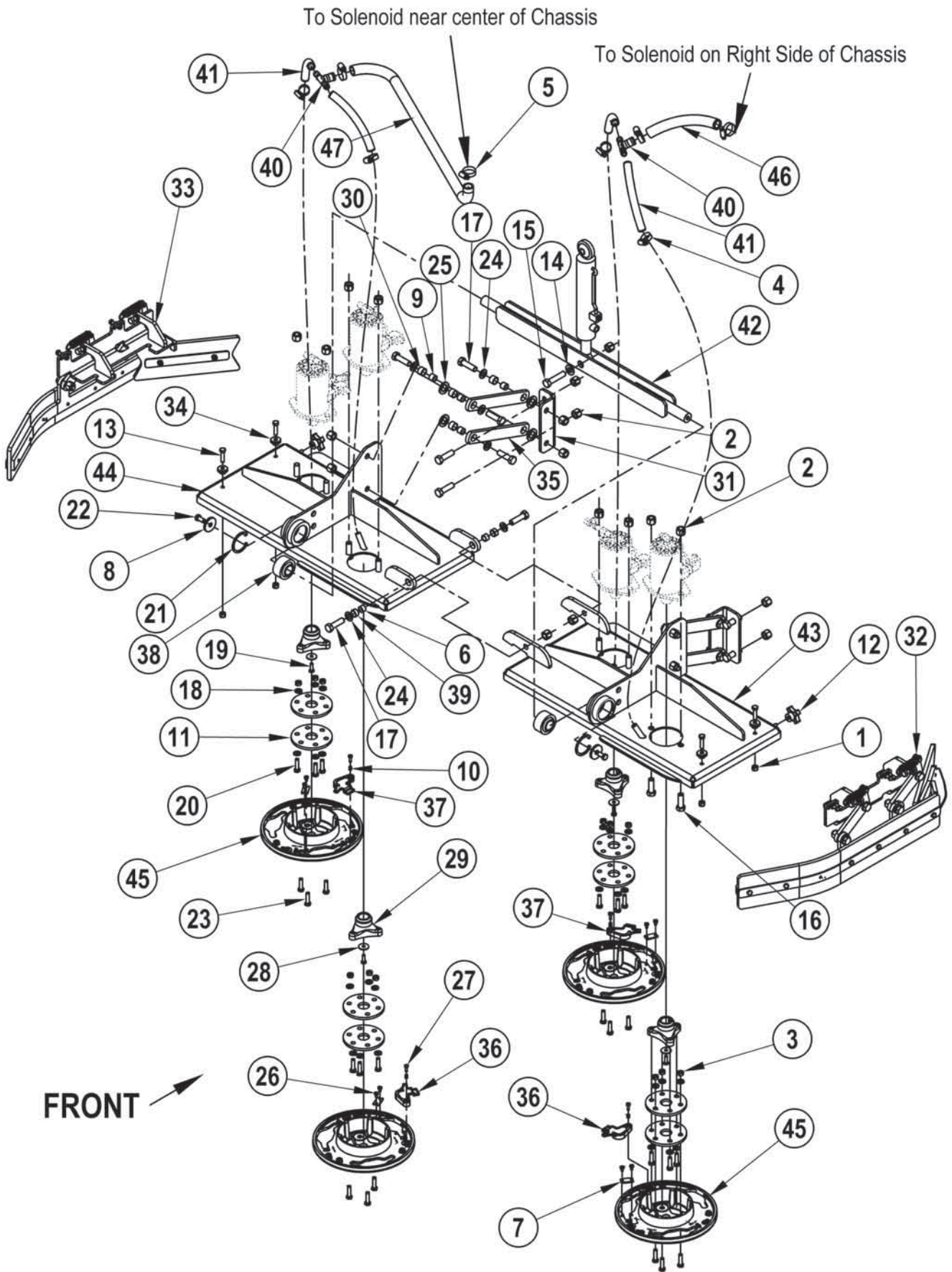
03-5	SCRUB SYSTEM (43" & 48" MODELS)	BOOK E		
04-4	Captor™ 4300, 4800, 5400 / CR 1100, 1200, 1400	E	14.3.1	43

Item	Ref. No.	Qty	Description	Item	Ref. No.	Qty	Description
1	56001834	4	Scr, Hex Hd 5/16-18 x 1.25	31	56305467	4	Arm Parallel 7.5in
2	56001920	1	Scr, Hex Hd 1/2-13 x 2.25	32	56304586	8	Bearing .750 x .625 x .500
3	56305937	1	Deck Weldment 43 Inch (43" Models)	33	56304601	2	Plate
	56305471	1	Deck Weldment 48 Inch (48" Models)	34	56304605	2	Mount Chassis Scrub Deck
4	56001995	18	Scr, Hex Hd 1/2-13 x 1.75	35	56304988	1	Side Skirt Right Assy
5	56002701	4	Nut, Hex Nyl Loc 5/16-18	36	56304998	1	Side Skirt Left Assy
6	56002770	18	Nut, Hex Nyl Loc 1/2-13	37	56305090	1	Manifold, Solution
7	56002836	4	Nut, Hex Nyl Loc SS 10-24	38	56305258	4	Mounting Lugs
8	56002938	18	Wsh, Fit SAE SS 5/16	39	56305861	3	Hose, Push Lock (17.5 In) (43" Models)
9	56003405	9	Nut, Hex Nyl Loc SS M8 x 1.25		56305345	3	Hose, Push Lock (20 In) (48" Models)
10	56009017	8	Wsh, Fit Harden .516x.938 x.75	40	56305543	1	Latch, Brush Right
11	56009022	8	Wsh, Fit .754 x 1.250 x .120	41	56305515	2	Latch, Brush Left
12	56009030	6	Scr, Pan Phil Thd Form 10-24 x .38	42	56369004	3	Bushing
13	56009042	3	Scr, Pan Phil Thd Form 10-24 x .62	43	56305464	1	Plug, 3/4 Hex Pipe
14	56009060	3	Wsh, Fit SS .260 x 1.000 x .074				
15	56112771	3	Clamp, Hose SAE #10	*	56477613	2	Tie, Cable
16	56244969	2	Clamp, Hose SAE #12				
17	56305547	1	Plug, 1/2 Hex Pipe				43" SCRUB BRUSHES
18	56305591	1	Hose	**	56505940	3	Brush, Pad Holder
19	56366455	3	Plate, Stop	**	56505941	3	Brush, MagnaGrit 46
20	56367206	8	Bushing	**	56505942	3	Brush, DynaGrit 80
21	56407053	6	Thermoid Disk	**	56505943	3	Brush, AgLite 500
22	56314030	3	Brush Holder	**	56505944	3	Brush, Prolene
23	56407303	2	Knob	**	56505945	3	Brush, ProLite
24	56412184	3	Barb, Adapter 1/2 x 1/2 NPT	**	56505946	3	Brush, Union Mix
25	56305545	1	Barb, 90 Elbow 3/4 x 3/4NPT	**	56505947	3	Brush, MidGrit 240
26	56003131	4	Scr, Hex Hd SS 10-24 x 2.50	**	56505948	3	Brush, MidLite 180 (STD)
27	56003221	3	Scr Hex Loc SS 1/4-20 x .75				48" SCRUB BRUSHES
28	56003278	9	Scr, Hex Loc SS M8-1 x 30mm	**	56505780	3	Brush, Pad Holder
29	56003639	9	Scr, Hex Hd SS M8-1.25 x 30mm	**	56505781	3	Brush, MagnaGrit 46
30	56304077	3	Hub, Drive	**	56505782	3	Brush, DynaGrit 80
				**	56505783	3	Brush, AgLite 500
				**	56505784	3	Brush, Prolene
				**	56505785	3	Brush, ProLite
				**	56505786	3	Brush, Union Mix
				**	56505787	3	Brush, MidGrit 240
				**	56505788	3	Brush, MidLite 180 (STD)

* = Not Shown

** = Optional

NOTE: See Hydraulic System Parts List form number 56042445 for hydraulic motor assemblies.



Item	Ref. No.	Qty	Description
1	56002701	4	Nut, Hex Nyl Loc 5/16-18
2	56002770	23	Nut, Hex Nyl Loc 1/2-13
3	56003405	12	Nut, Hex Nyl Loc SS M8 x 1.25
4	56360627	2	Bushing
5	56366455	4	Plate, Stop
6	56367117	2	Wsh, Flt .406 x 1.5 x .1875
7	56367206	8	Bushing
8	56369004	4	Bushing
9	56407053	8	Thermoid Disk
10	56407303	2	Knob
11	56001834	4	Scr, Hex Hd 5/16-18 x 1.25
12	56001879	1	Wsh, Flt SAE 1/2
13	56001920	1	Scr, Hex Hd 1/2-13 x 2.25
14	56001968	8	Scr, Hex Hd 1/2-13 x 1.50
15	56001995	14	Scr, Hex Hd 1/2-13 x 1.75
16	56002938	24	Wsh, Flt SAE SS 5/16
17	56003221	4	Scr Hex Loc SS 1/4-20 x .75
18	56003278	12	Scr, Hex Loc SS M8-1 x 30mm
19	56003335	2	Scr Hex Loc SS 5/16-18 x .88
20	56003639	12	Scr, Hex Hd SS M8-1.25 x 30mm
21	56003680	2	Ring, Ret Int Type Ho (2.125)
22	56009017	10	Wsh, Flt Harden .516 x .938 x .75
23	56009022	8	Wsh, Flt .754 x 1.250 x .120
24	56009030	8	Scr, Pan Phil Thd Form 10-24 x .38
25	56009042	4	Scr, Pan Phil Thd Form 10-24 x .62
26	56009060	4	Wsh, Flt SS .260 x 1.000 x .074
27	56112771	4	Clamp, Hose SAE #10
28	56244969	4	Clamp, Hose SAE #12
29	56304077	4	Hub, Drive
30	56304586	8	Bearing .750 x .625 x .500
31	56304605	2	Mount Chassis Scrub Deck
32	56304988	1	Side Skirt Right Assy
33	56304998	1	Side Skirt Left Assy
34	56305258	4	Mounting Lugs
35	56305467	4	Arm Parallel 7.5in
36	56305515	2	Brush Lock, Left
37	56305543	2	Brush Lock, Right
38	56305552	2	Bearing, Spherical 1.00
39	56305553	2	Bearing, .719 x .625 x .375
40	56305760	2	Tee, Barb 3/4 x 1/2 x 1/2
41	56305763	4	Hose, Push Lock (7 In.)
42	56305773	1	Push Deck Weldment
43	56305774	1	Deck, 54 Right Weldment
44	56305775	1	Deck Left 54 Weldment
45	56314030	4	Brush Holder
46	56392833	1	Hose, Spiral .75 x 12 In.
47	56407266	1	Hose, Spiral .75 x 31 In.

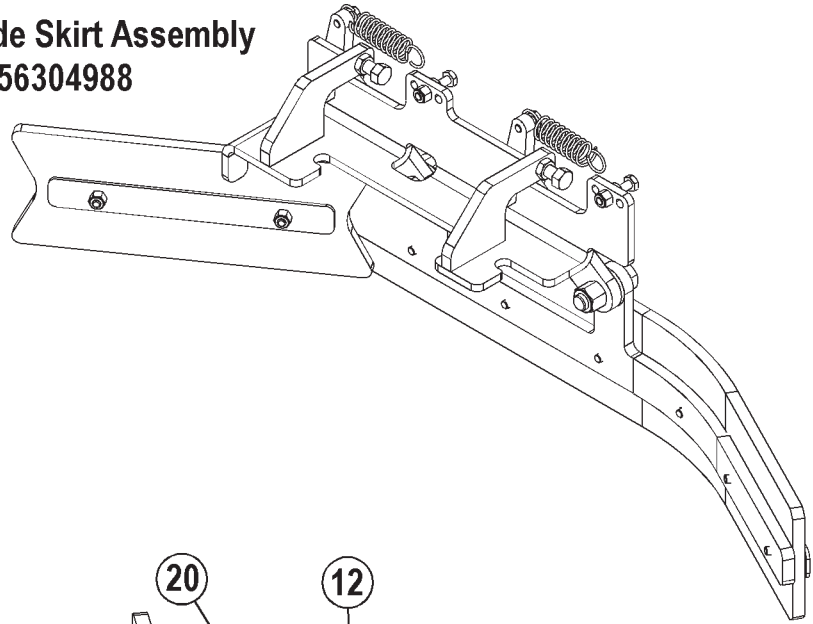
54" SCRUB BRUSHES

**	56505800	3	Brush, Pad Holder
**	56505801	3	Brush, MagnaGrit 46
**	56505802	3	Brush, DynaGrit 80
**	56505803	3	Brush, AgLite 500
**	56505804	3	Brush, Prolene
**	56505805	3	Brush, ProLite
**	56505806	3	Brush, Union Mix
**	56505807	3	Brush, MidGrit 240
**	56505808	3	Brush, MidLite 180 (STD)

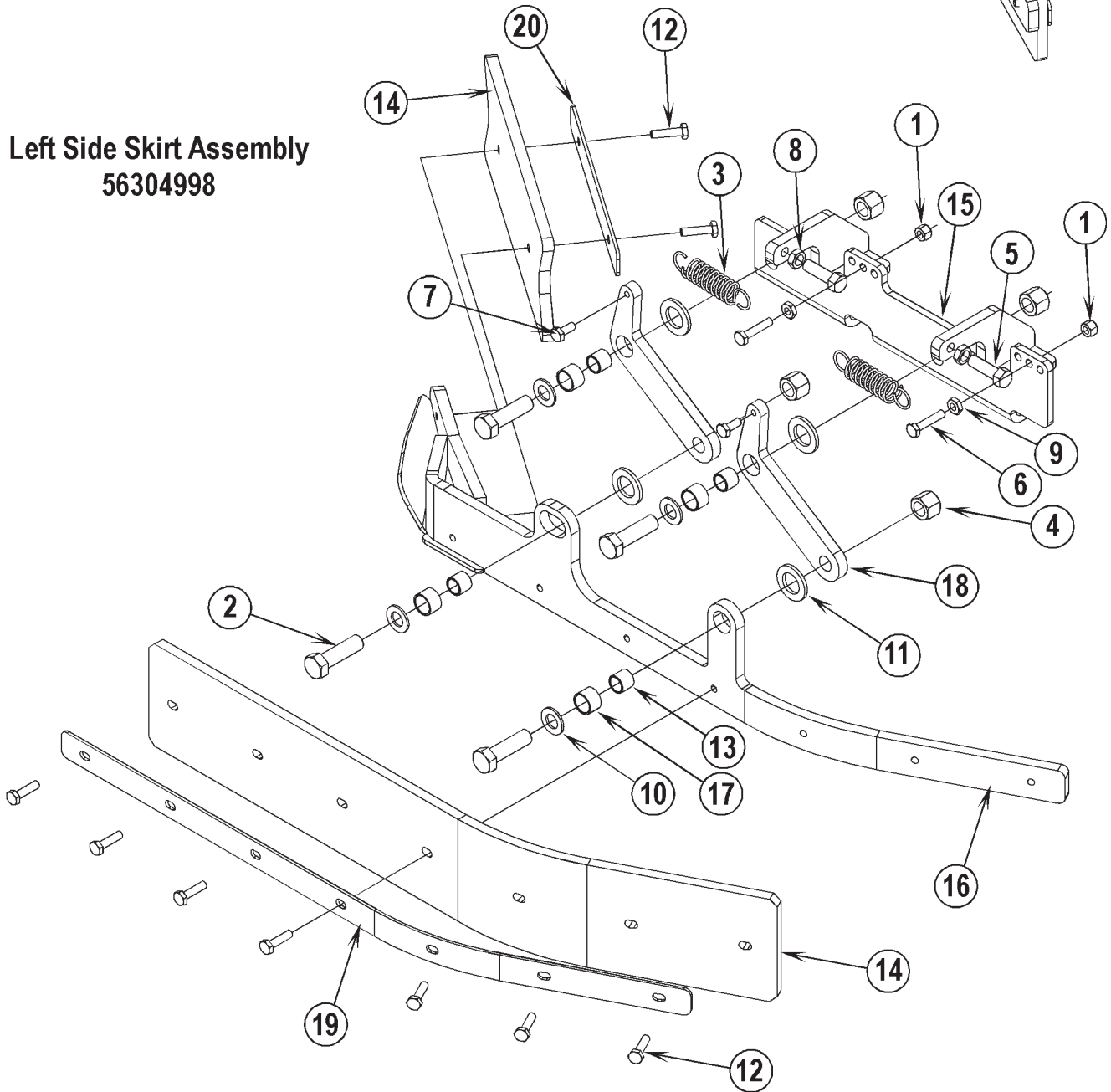
** = Optional

NOTE: See Hydraulic System Parts List form number 56042445 for hydraulic motor assemblies.

**Right Side Skirt Assembly
56304988**



**Left Side Skirt Assembly
56304998**



03-5	SCRUB SYSTEM SKIRT ASSEMBLIES	BOOK E		
04-9	Captor™ 4300, 4800, 5400 / CR 1100, 1200, 1400	E	14.3.1	47

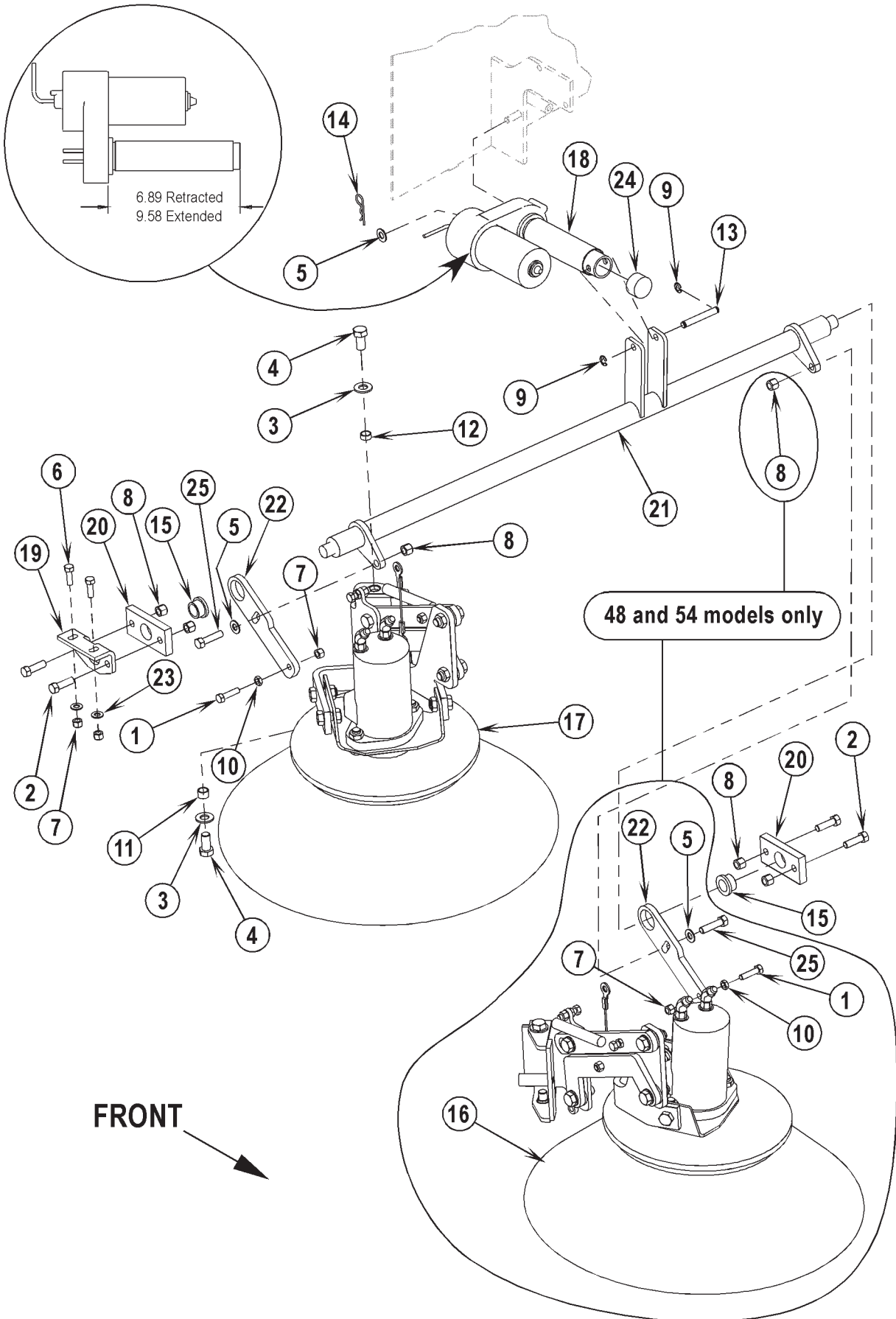
Item	Ref. No.	Qty	Description
	56304988	1	Side Skirt Right Assy
	56304998	1	Side Skirt Left Assy
1	56002491	2	Nut, Hex Nyl Loc SS 1/4-20
2	56001995	4	Scr, Hex Hd 1/2-13 x 1.75
3	56305253	2	Spring, Extension
4	56002770	4	Nut, Hex Nyl Loc 1/2-13
5	56002881	2	Scr, Hex Hd SS 3/8-16 x 1.25
6	56002897	2	Scr, Hex Hd SS 1/4-20 x 1.25
7	56002922	2	Scr, Hex Hd Loc 1/4-20 x .62
8	56003015	2	Nut, Hex Jam SS 3/8-16
9	56003145	2	Nut, Hex Jam SS 1/4-20
10	56009017	4	Wsh, Flt Harden .516 x .938 x .75
11	56009022	4	Wsh, Flt .754 x 1.250 x .120
12	56009054	9	Scr, Hex Type 23 1/4-20 x 1.00
13	56367206	4	Bushing
14	56305697	1	Side Blade Kit NOTE #2
15	56305879	1	Mount, Left Side Squeegee Weldment (56304998 Assy)
*	56305880	1	Mount, Right Side Squeegee Weldment (56304988 Assy)
16	56304999	1	Side Skirt Left Weldment (56304998 Assy)
*	56304989	1	Side Skirt Right Weldment (56304988 Assy)
17	56304586	4	Bearing .750 x .625 x .500
18	56304993	2	Arm Parallel Side Skirts
19	56304994	1	Strap Long Side Skirts
20	56304995	1	Strap Short Side Skirts
**	56305685	1	Neoprene Side Blade Kit NOTE #2

* = Not Shown

** = Optional

NOTE #1: All quantities are for ONE side skirt assembly only. There are two side skirt assemblies on the machine.

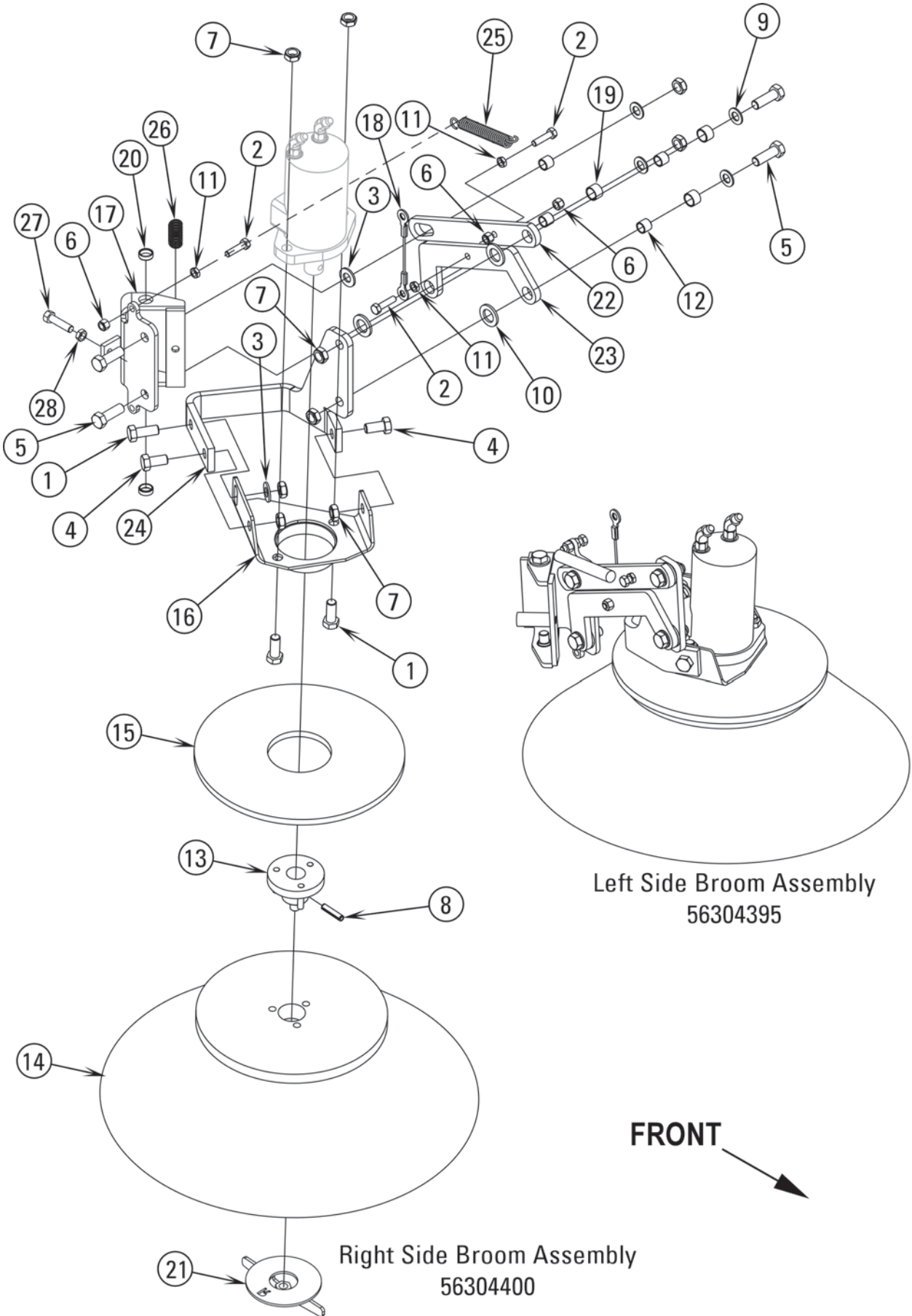
NOTE #2: Side Blade Kits contain ALL skirts needed for BOTH side skirt assemblies.



03-5	SIDE BROOM SYSTEMS	BOOK E		
05-1	Captor™ 4300, 4800, 5400 / CR 1100, 1200, 1400	E	14.3.1	49

Item	Ref. No.	Qty	Description
1	56001834	2	Scr, Hex Hd 5/16-18 x 1.25
2	56001858	4	Scr, Hex Hd 3/8-16 x 1.25
3	56001879	4	Wsh, Flt SAE 1/2
4	56001895	4	Scr, Hex Hd 1/2-13 x 1.00
5	56002063	3	Wsh, Flt SAE 3/8
6	56002221	2	Scr, Hex Hd 5/16-18 x 1.00
7	56002701	4	Nut, Hex Nyl Loc 5/16-18
8	56002769	6	Nut, Hex Nyl Loc 3/8-16
9	56003262	2	Ring, Ret Ext Type E 0.38 Dia
10	56009086	2	Nut, Hex Jam 5/16-18
11	56360627	2	Bushing
12	56365030	2	Bushing .50 x .62 x .27
13	56412088	1	Pin
14	56003120	1	Pin, Cotter Hair .0915 x .375
15	56303071	2	Bearing, Flange
16	56304395	1	Left Side Broom Assy
17	56304400	1	Right Side Broom Assy
18	56305008	1	Actuator, Motor (M4)
19	56305080	1	Bracket, Side Broom Lift
20	56305091	2	Pillow Block
21	56305442	1	Lifter Shaft Weldment
22	56305470	2	Arm, Side Broom Lift NOTE #1
23	56001939	2	Wsh, Flt SAE 5/16
24	56305798	1	Foam Seal
25	56002095	2	Scr, Hex Hd 3/8-16 x 1.50

NOTE #1: The design of this part changed. It is a direct replacement for the previous design except that it requires item 25 and item 5. It should be replaced in a matched pair on 48" and 54" models.

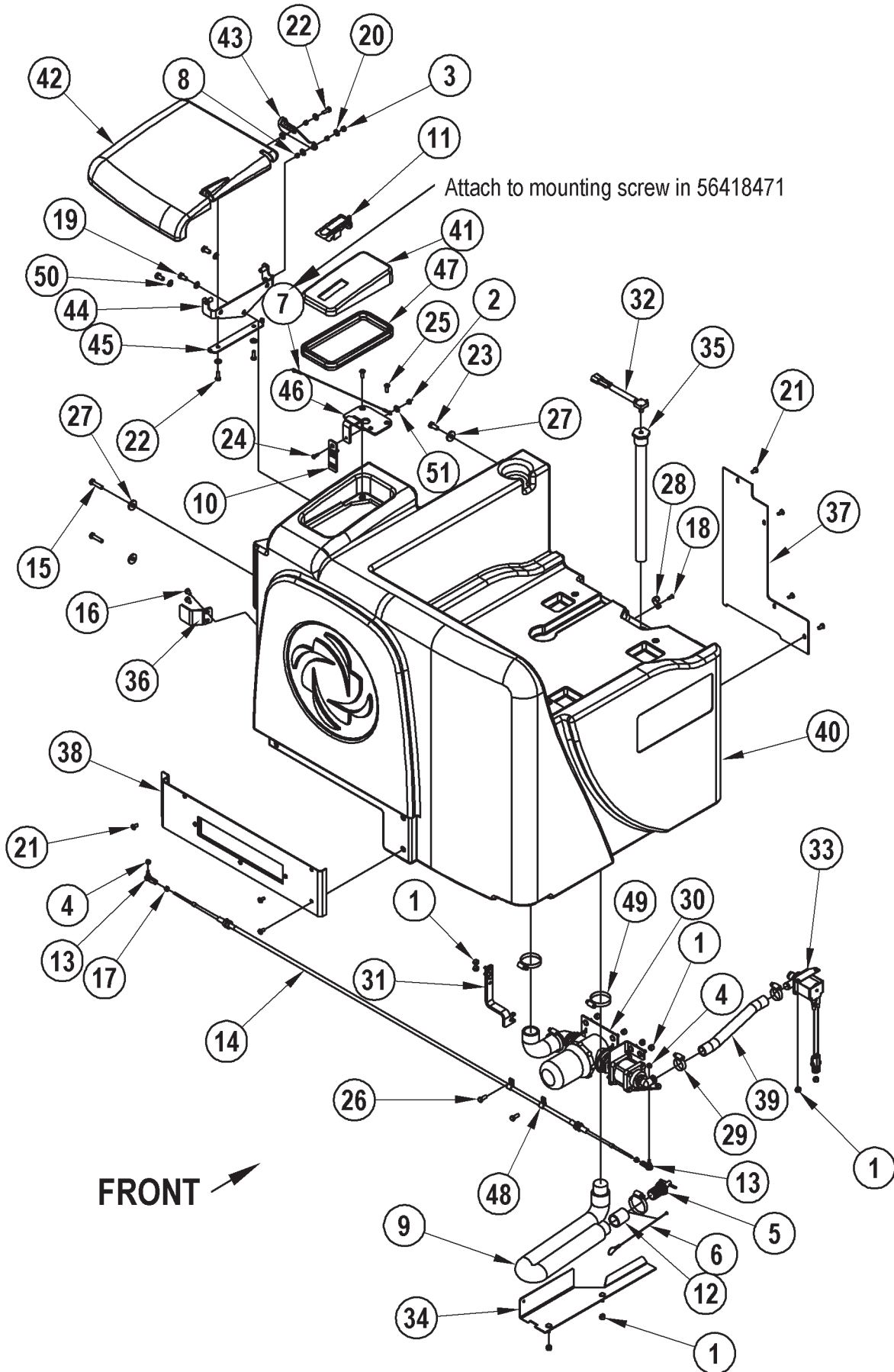


03-5	SIDE BROOM SYSTEM SUB-ASSEMBLIES	BOOK E		
04-2	Captor™ 4300, 4800, 5400 / CR 1100, 1200, 1400	E	14.3.1	51

Item	Ref. No.	Qty	Description
	56304400	1	Right Side Broom Assy
	56304395	1	Left Side Broom Assy
1	56001831	3	Scr, Hex Hd 1/2-13 x 1.25
2	56001834	3	Scr, Hex Hd 5/16-18 x 1.25
3	56001879	2	Wsh, Flt SAE 1/2
4	56001895	2	Scr, Hex Hd 1/2-13 x 1.00
5	56001968	4	Scr, Hex Hd 1/2-13 x 1.50
6	56002701	3	Nut, Hex Nyl Loc 5/16-18
7	56002843	9	Nut, Hex Nyl Loc-Thin 1/2-13
8	56003494	1	Pin, Spr .31 x 1.38
9	56009017	4	Wsh, Flt Harden .516 x .938 x .75
10	56009022	3	Wsh, Flt .754 x 1.250 x .120
11	56009086	3	Nut, Hex Jam 5/16-18
12	56367206	4	Bushing
13	56418543	1	Right Hub Assy
	56305723	1	Left Hub Assy
14	56462252	1	Broom, Side
15	56304038	1	Guard, Side Broom
16	56304039	1	Motor Bracket Weldment (Right Side)
*	56304397	1	Motor Bracket Weldment (Left Side)
17	56304052	1	Side Broom Hinge Weldment
18	56304126	1	Cable Assy
19	56304586	3	Bearing .750 x .625 x .500
20	56304893	2	Bearing, Sleeve .625 x .750 x .250
21	56305731	1	Right Thumb Nut Weldment
	56305725	1	Left Thumb Nut Weldment
22	56305460	1	Arm, Side Broom
23	56305462	1	Arm, Side Broom, Lower
24	56305463	1	Bracket, Side Broom (Right Side)
*	56305461	1	Bracket, Side Broom (Left Side)
25	56448112	1	Spring Ext
26	56761327	1	Spring, Comp
27	56002747	1	Scr, Hex Thd to Hd 3/8-16 x 1.50
28	56009085	1	Nut, Hex Jam 3/8-16

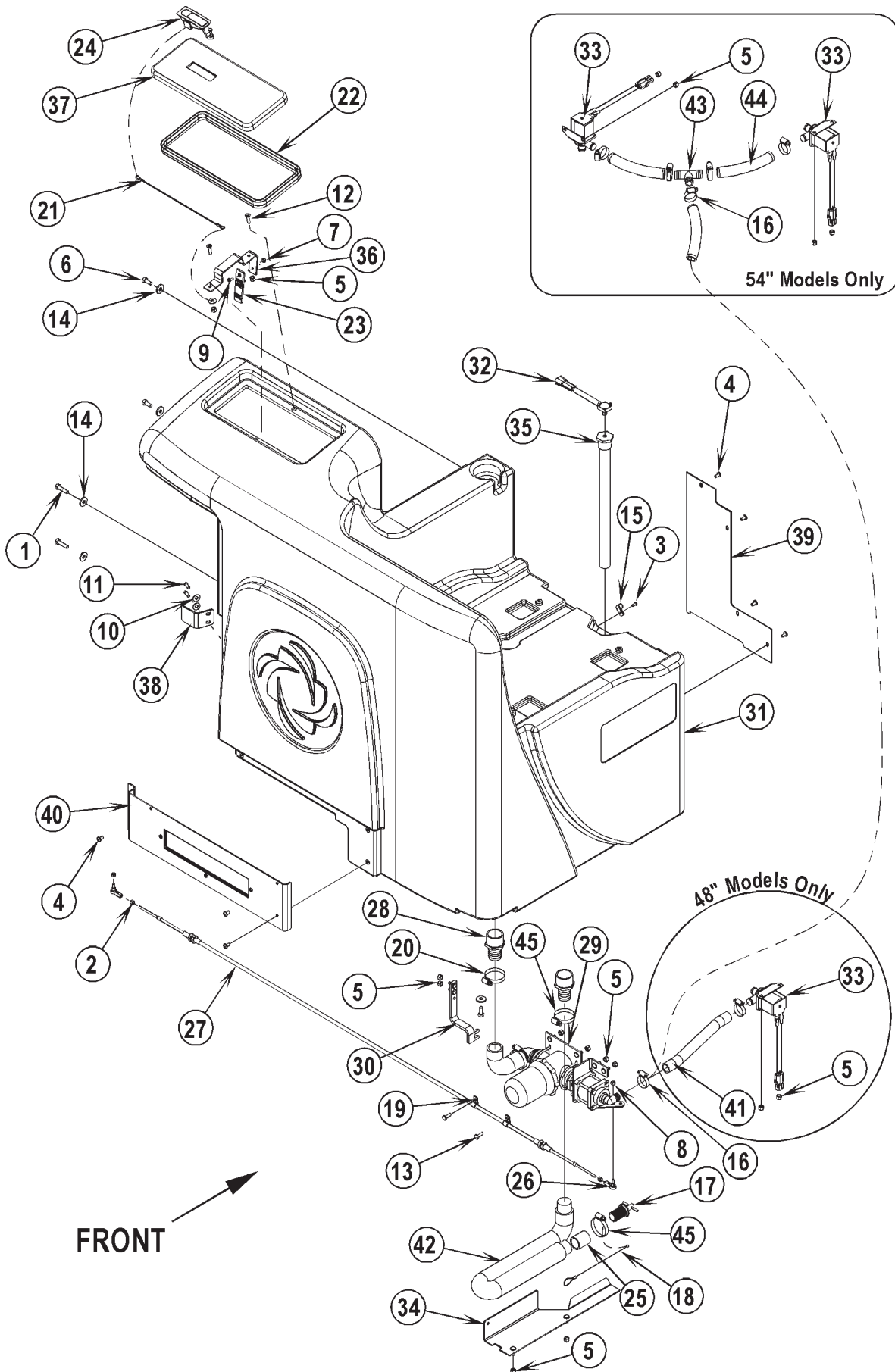
* = Not Shown

NOTE: All quantities are for ONE side broom assembly only. There are two side broom assemblies on 48 and 54 models.



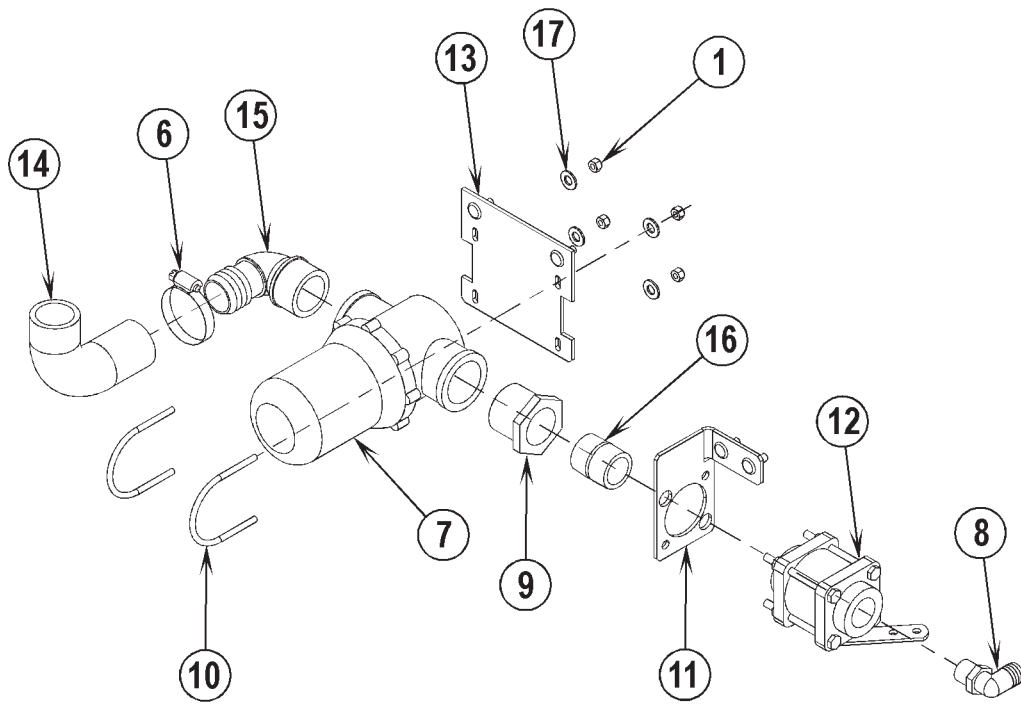
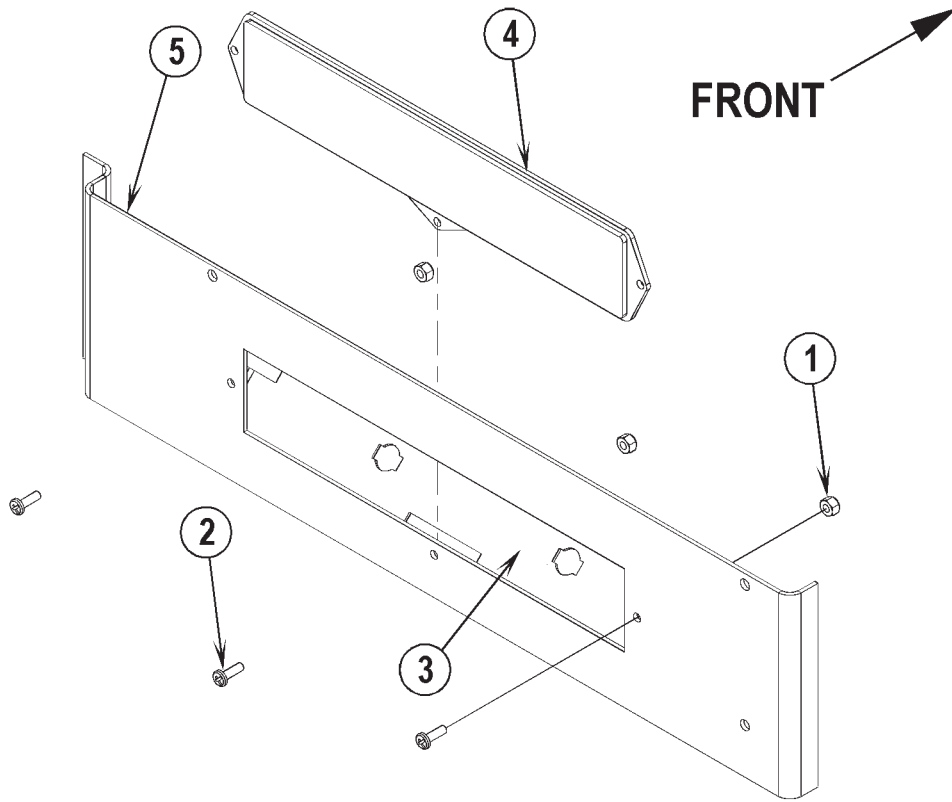
03-5	SOLUTION SYSTEM (43" MODELS)	BOOK E		
04-5	Captor™ 4300, 4800, 5400 / CR 1100, 1200, 1400	E	14.3.1	53

Item	Ref. No.	Qty	Description
1	56002491	10	Nut, Hex Nyl Loc SS 1/4-20
2	56002836	1	Nut, Hex Nyl Loc SS 10-24
3	56002840	1	Nut, Hex Nyl Loc-Thin 1/4-20
4	56002873	2	Nut, Hex Nyl Loc 10-32
5	56260098	1	Plug, T-Handle
6	56261378	1	Cork Strap
7	56330391	1	Wire Rope, 12 Inch
8	56379298	3	Bushing
9	56386035	1	Hose, Recovery Drain
10	56412309	1	Water Level Gauge
11	56418471	1	Door Latch
12	56459433	1	Sleeve, Hose End
13	56488290	2	Rod End
14	56488292	1	Cable
15	56001834	2	Scr, Hex Hd 5/16-18 x 1.25
16	56001854	2	Scr, Hex Hd 1/4-20 x .50
17	56001987	2	Nut, Hex Machine 10-32
18	56001993	1	Scr, Pan Phil 10-24 x .50
19	56002035	3	Scr, Hex Hd 5/16-18 x .62
20	56002098	6	Wsh, Fit SAE 1/4
21	56002145	7	Scr, Pan Phil 1/4-20 x .50
22	56002155	3	Scr, Hex Hd 1/4-20 x .75
23	56002667	1	Scr, Hex Hd 5/16-18 x .75
24	56002957	1	Scr, Pan Phil SS 1/4-20 x .75
25	56002969	2	Scr, Flt Phil SS 1/4-20 x .75
26	56009018	2	Scr, Hex Thd Form 1/4-20 x .75
27	56009057	3	Wsh, Fit Harden .344 x 1.000 x .120/.135
28	56172017	1	Clamp, P
29	56244969	2	Clamp, Hose SAE #12
30	56304272	1	Solution Filter Assy
31	56304681	1	Bracket, Cable
32	56305032	1	Switch, Pressure
33	56305103	1	Solenoid Valve Assy
34	56305195	1	Bracket, Sol. Drain
35	56305205	1	Tube Assy
36	56305226	1	Tab, Door
37	56305227	1	Cover
38	56305243	1	Rear Panel Assembly
39	56305318	1	Hose, Spiral .750 x 10.50
40	56305514	1	Tank, Solution 60 Gal
41	56305522	1	Cover, Solution Tank 60 Gal
42	56305666	1	Corner Cover
43	56305782	1	Lid Prop
44	56305952	1	Hinge Weldment
45	56305786	1	Retainer
46	56305802	1	Plate, Fill Valve
47	56305812	1	Trim Seal
48	56323260	2	Clamp, Hose Support
49	56329145	3	Clamp, Hose SAE #24
50	56001939	3	Wsh, Fit SAE 5/16
51	56002916	1	Wsh, Fit SAE SS #10



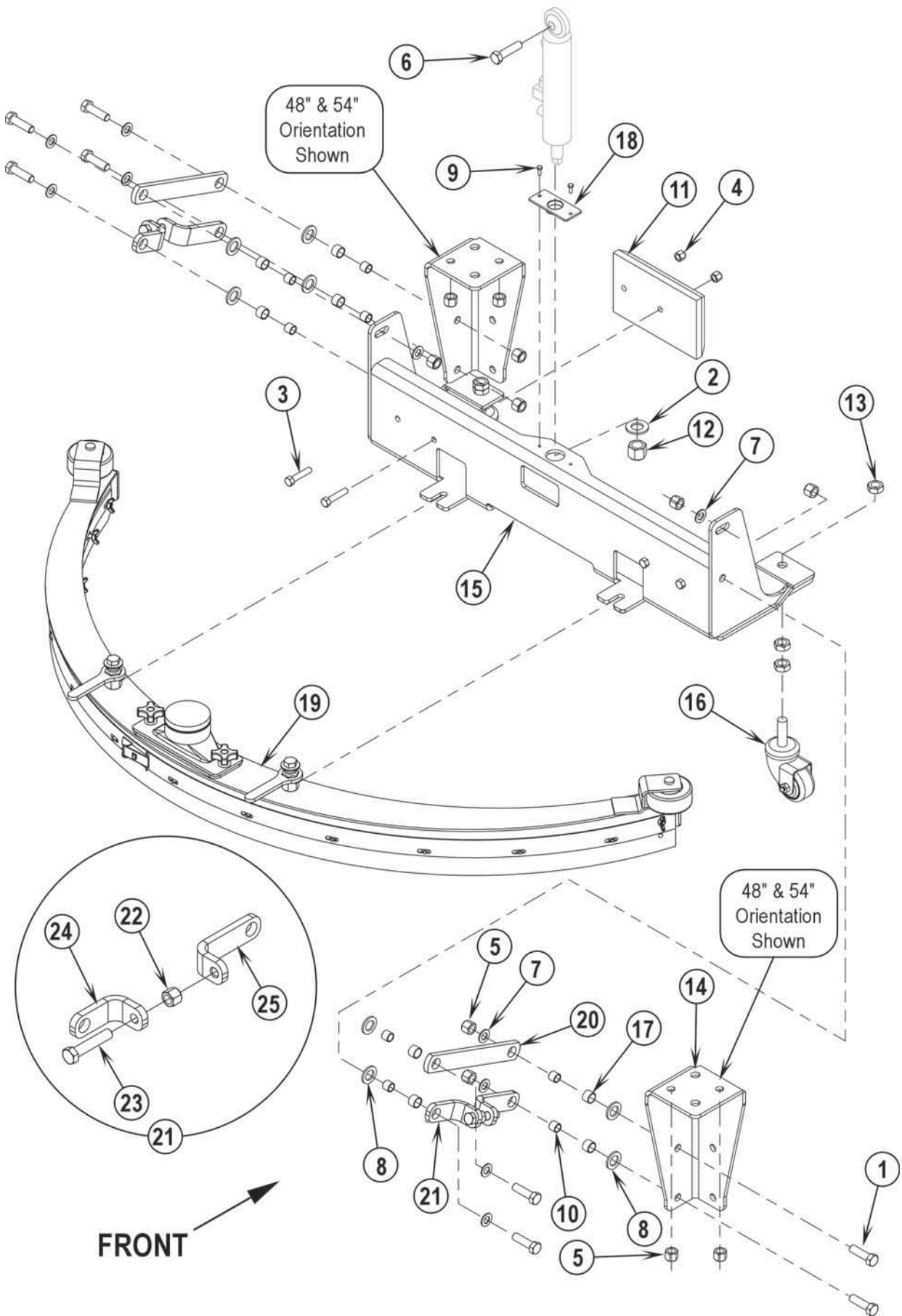
03-5	SOLUTION SYSTEM (48" & 54" MODELS)	BOOK E		
04-5	Captor™ 4300, 4800, 5400 / CR 1100, 1200, 1400	E	14.3.1	55

Item	Ref. No.	Qty	Description
1	56001834	2	Scr, Hex Hd 5/16-18 x 1.25
2	56001987	2	Nut, Hex Machine 10-32
3	56001993	1	Scr, Pan Phil 10-24 x .50
4	56002145	7	Scr, Pan Phil 1/4-20 x .50
5	56002491	12	Nut, Hex Nyl Loc SS 1/4-20 (48" Models)
	56002491	14	Nut, Hex Nyl Loc SS 1/4-20 (54" Models)
6	56002667	2	Scr, Hex Hd 5/16-18 x .75
7	56002849	1	Nut, Hex Nyl Loc-Thin SS 10-24
8	56002873	2	Nut, Hex Nyl Loc 10-32
9	56002900	1	Scr, Pan Phil SS 10-24 x .50
10	56002914	3	Wsh, Flt Std SS 1/4
11	56003047	2	Scr, Hex Hd SS 1/4-20 x .62
12	56003074	2	Scr, Flt Phil SS 1/4-20 x 1.00
13	56009018	2	Scr, Hex Thd Form 1/4-20 x .75
14	56009122	4	Wsh, Flt .344 x .938 x .125
15	56172017	1	Clamp, P
16	56244969	2	Clamp, Hose SAE #12 (48" Models)
	56244969	6	Clamp, Hose SAE #12 (54" Models)
17	56260098	1	Plug, T-Handle
18	56261378	1	Cork Strap
19	56323260	2	Clamp, Hose Support
20	56329145	1	Clamp, Hose SAE #24
21	56330391	1	Wire Rope, 12 Inch
22	56407282	1	Gasket
23	56412309	1	Water Level Gauge
24	56418471	1	Door Latch
25	56459433	1	Sleeve, Hose End
26	56488290	2	Rod End
27	56488292	1	Cable
28	56900910	2	Barb, Adapter 1 1/4 X 1 1/4 NPT (only used before October 2003)
29	56304272	1	Solution Filter Assy
30	56304681	1	Bracket, Cable
31	56304834	1	Tank, Solution (75 Gal.)
32	56305032	1	Switch, Pressure
33	56305103	1	Solenoid Valve Assy (48" Models)
	56305103	2	Solenoid Valve Assy (54" Models)
34	56305195	1	Bracket, Sol. Drain
35	56305205	1	Tube Assy
36	56305206	1	Plate, Latch
37	56305209	1	Cover, Solution Tank
38	56305226	1	Tab, Door
39	56305227	1	Cover
40	56305243	1	Rear Panel Assembly
41	56305318	1	Hose, Spiral .750 x 10.50 (48" Models)
42	56305602	1	Hose, Flex Drain
43	56305761	1	Tee, Barb 3/4 x 3/4 x 3/4 (54" Models)
44	56305762	3	Hose, Spiral .75 x 6" (54" Models)
45	56131601	2	Clamp, Hose SAE #16

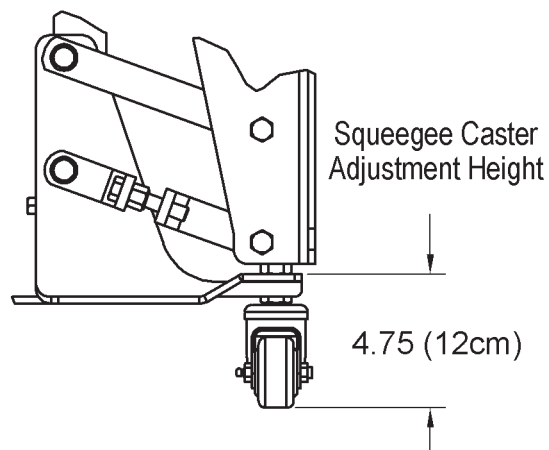
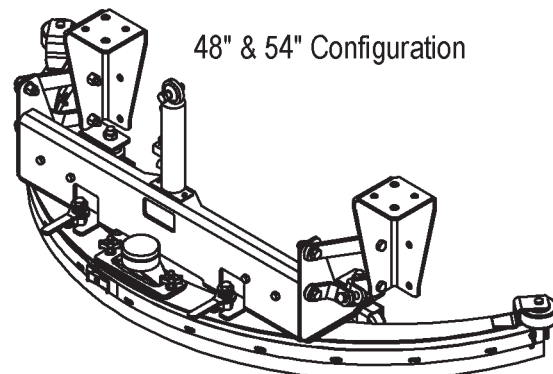
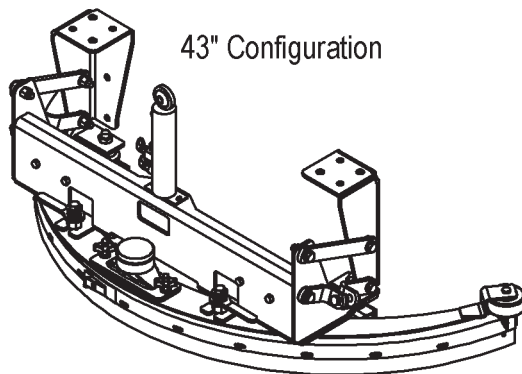


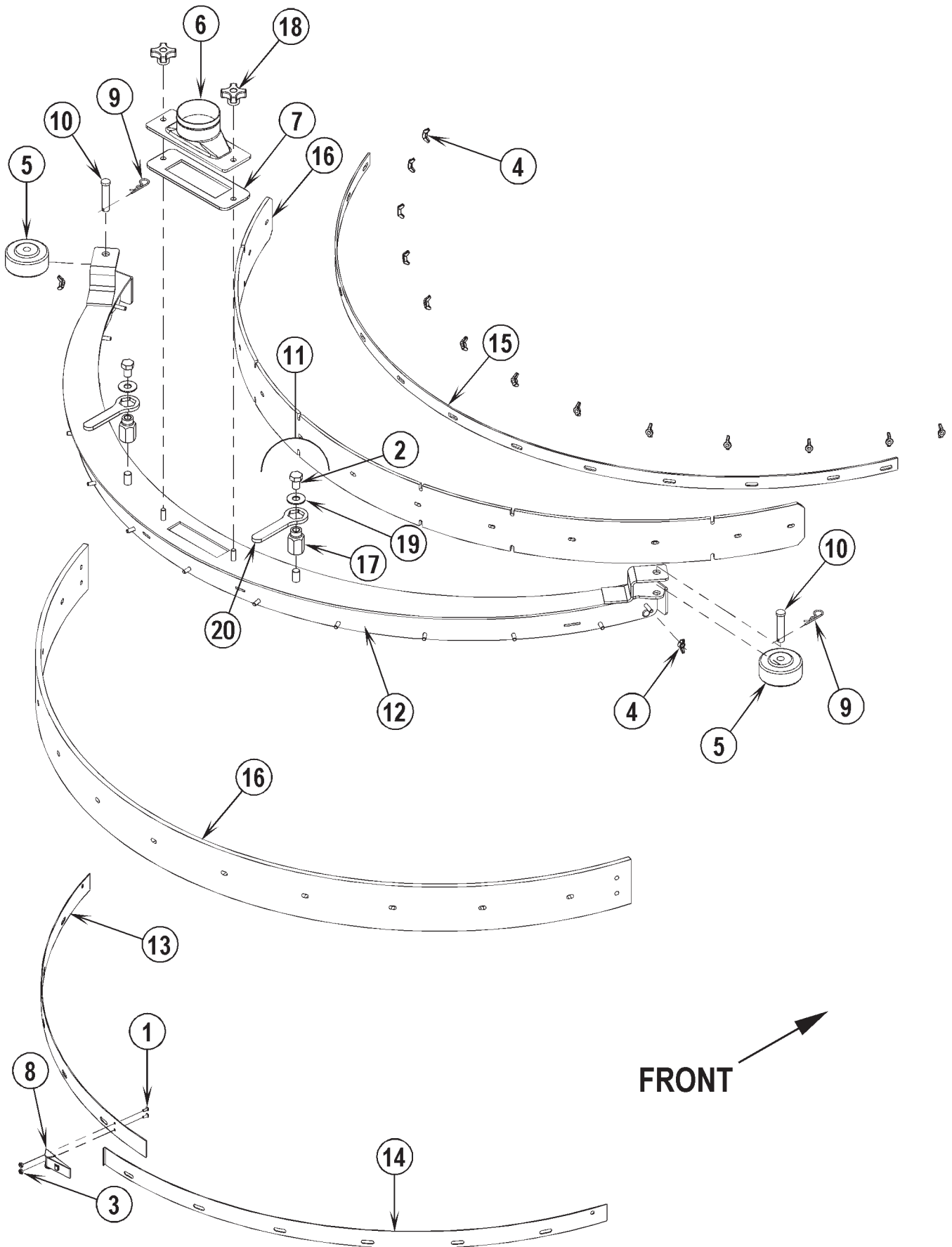
Item	Ref. No.	Qty	Description
	56305243	1	Rear Panel Assy (1-5)
	56304272	1	Solution Filter Assy (1 & 6-17)
1	56002768	7	Nut, Hex Nyl Loc 10-24
2	56009100	3	Scr, Pan Phil Thd Form-Blk 10-24 x .62
3	56016097	1	Decal, Re ective
4	56416418	1	Lens, Printed
5	56304706	1	Door Weldment, Rear
6	56329145	1	Clamp, Hose SAE #24
7	56456241	1	Strainer, In-Line
*	56455838	1	Nylon Strainer Bowl
8	56456802	1	Barb, 90 Elbow 11/16 x 3/4NPT
9	56459825	1	Bushing, Reducer
10	56459830	2	U-Bolt
11	56304260	1	Bracket
12	56304275	1	Valve Assy
13	56305114	1	Bracket, Filter
14	56305319	1	Hose, Radiator
15	56900913	1	Barb, Elbow Male
16	56900914	1	Nipple, Close PVC
17	56001954	4	Wsh, Flt SAE #10

* = Not Shown



Item	Ref. No.	Qty	Description
1	56001995	8	Scr, Hex Hd 1/2-13 x 1.75
2	56002141	1	Wsh, Flt SAE 3/4
3	56002684	4	Scr, Hex Hd 3/8-16 x 1.75
4	56002769	4	Nut, Hex Nyl Loc 3/8-16
5	56002770	12	Nut, Hex Nyl Loc 1/2-13
6	56002983	1	Scr, Hex Hd 1/2-13 x 2.00
7	56009017	10	Wsh, Flt Harden .516 x .938 x .75
8	56009022	8	Wsh, Flt .754 x 1.250 x .120
9	56009039	2	Scr, Hex Thd Form 10-24 x .50
10	56367206	8	Bushing
11	56453907	2	Weight Casting
12	56003212	1	Nut, Hex Nyl Loc SS 3/4-10
13	56003272	6	Nut, Hex Jam SS 5/8-11
14	56304157	2	Bracket Deck Tower Mount
15	56304172	1	Squeegee Mount Weld.
16	56304266	2	Wheel, Caster
17	56304586	8	Bearing .750 x .625 x .500
18	56304590	1	Plate, Guide
19	56304944	1	43 In. Squeegee Assy
	56304954	1	48 In. Squeegee Assy
	56305117	1	54 In. Squeegee Assy
20	56305467	2	Arm Parallel 7.5in
21	56305610	2	Arm, Adjustable Assy (22-25)
22	56002773	2	Nut, Hex Nyl Loc 1/2-20
23	56003672	2	Scr, Hex Thd To Hd 1/2-20 x 2.50 GRD 8
24	56305608	2	Arm, Adjustable
25	56305609	2	Arm, Adjustable Threaded



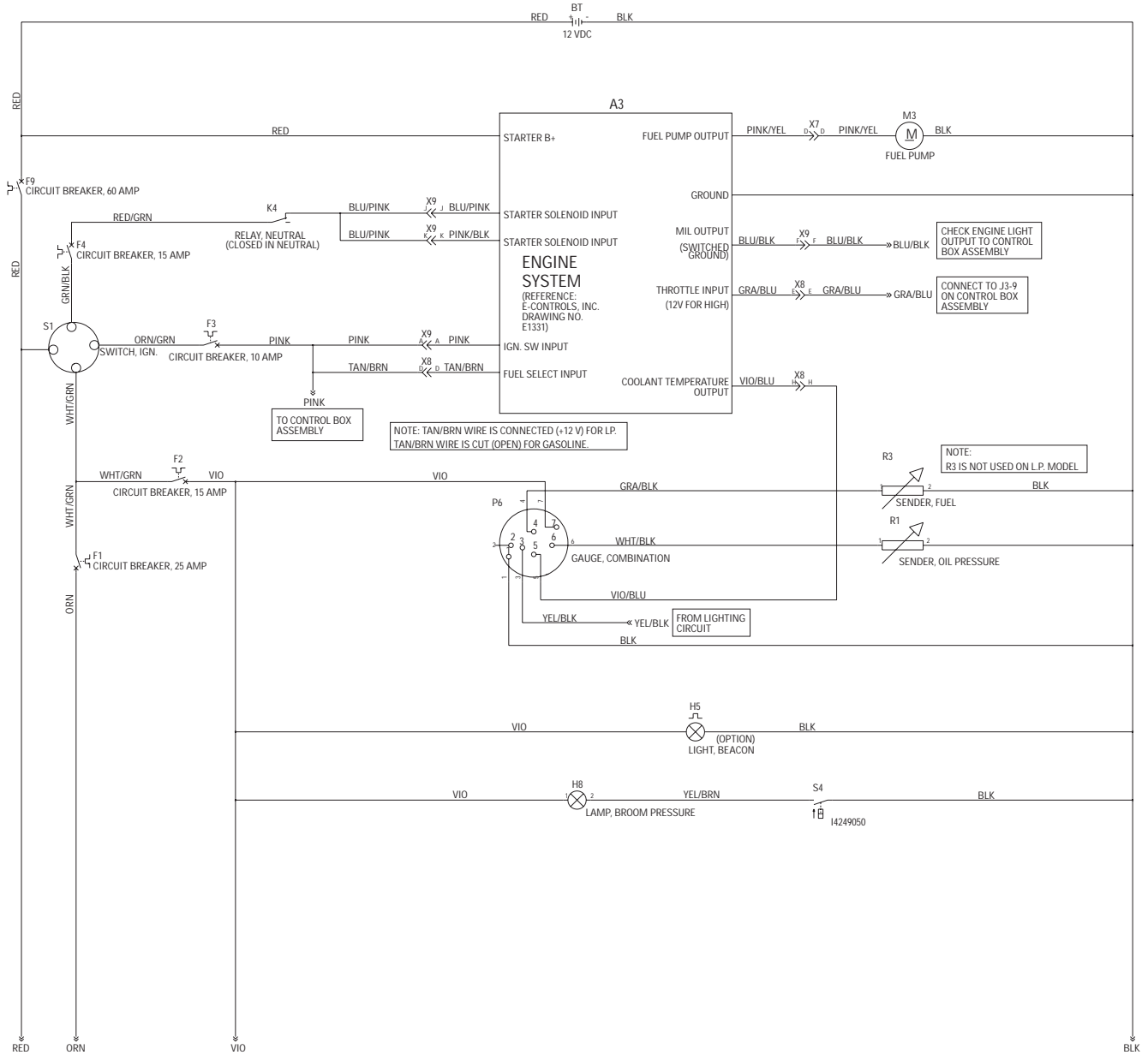


03-5	SQUEEGEE ASSEMBLY	BOOK E		
04-5	Captor™ 4300, 4800, 5400 / CR 1100, 1200, 1400	E	14.3.1	61

Item	Ref. No.	Qty	Description
	56304944	1	Squeegee Assy, 43"
	56304954	1	Squeegee Assy, 48"
	56305117	1	Squeegee Assy, 54"
1	56002909	2	Scr, Pan Phil SS 6-32 x .38
2	56003032	2	Scr, Hex Hd Loc 1/2-13 x .75
3	56002964	2	Nut, Hex Nyl Loc-Thin SS 6-32
4	56009048	15	Nut, Wing Loc 1/4-20
5	56386127	2	Wheel 3.00 x 1.25
6	56305373	1	Adapter, Squeegee
7	56459281	1	Gasket, Inlet
8	56471194	1	Latch Assembly
9	56003120	2	Pin, Cotter Hair .0915 x .375
10	56003620	2	Clevis Pin
11	56305616	2	Crank Assy (2, 17 & 19-20)
12	56304937	1	43 In. Squeegee Weld.
	56304953	1	48 In. Squeegee Weld.
	56305118	1	54 In. Squeegee Weld.
13	56305808	1	Strap, 43 In. Rear Left Blade
	56304962	1	Strap, 48 In. Rear Left Blade
	56305123	1	Strap, 54 In. Rear Left Blade
14	56305807	1	Strap, 43 In. Rear Right Blade
	56304963	1	Strap, 48 In. Rear Right Blade
	56305124	1	Strap, 54 In. Rear Right Blade
15	56305806	1	Strap, Front Blade 43"
	56304964	1	Strap, Front Blade 48"
	56305125	1	Strap, Front Blade 54"
16	56305695	1	Blade Kit, Squeegee Linatex 43 NOTE #1
	56305686	1	Blade Kit, Squeegee Linatex 48 NOTE #1
	56305696	1	Blade Kit, Squeegee Linatex 54 NOTE #1
17	56305615	2	Crank Hex
18	56407510	2	Knob, 5/16-18 Nyloc
19	56002024	2	Wsh, Fit STD 7/16
20	56305614	2	Crank Handle
**	56305693	1	Blade Kit, Squeegee Neoprene 43 NOTE #1
**	56305682	1	Blade Kit, Squeegee Neoprene 48 NOTE #1
**	56305694	1	Blade Kit, Squeegee Neoprene 54 NOTE #1

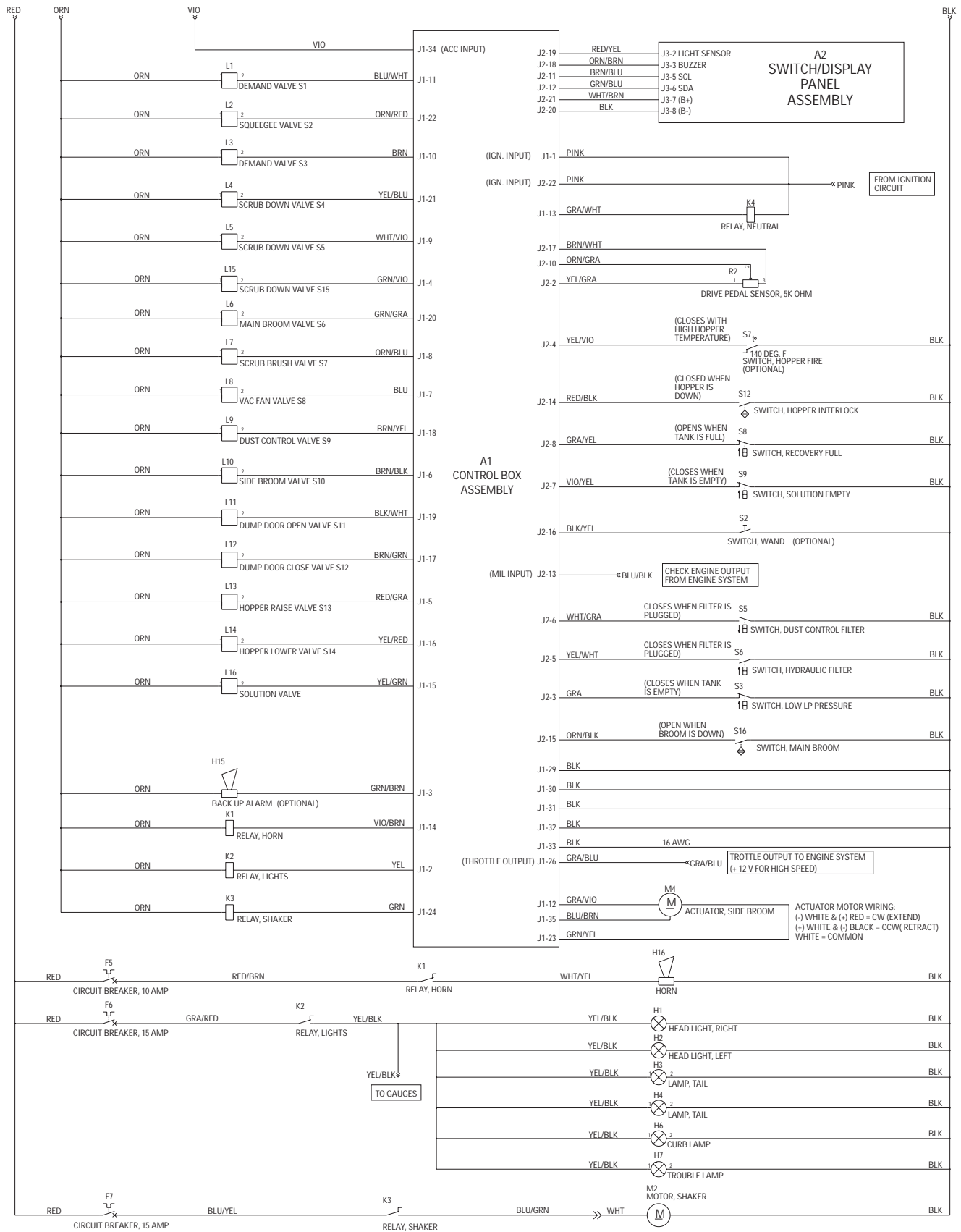
** = Optional

NOTE #1 All squeegee blade kits include both front and rear squeegee blades.

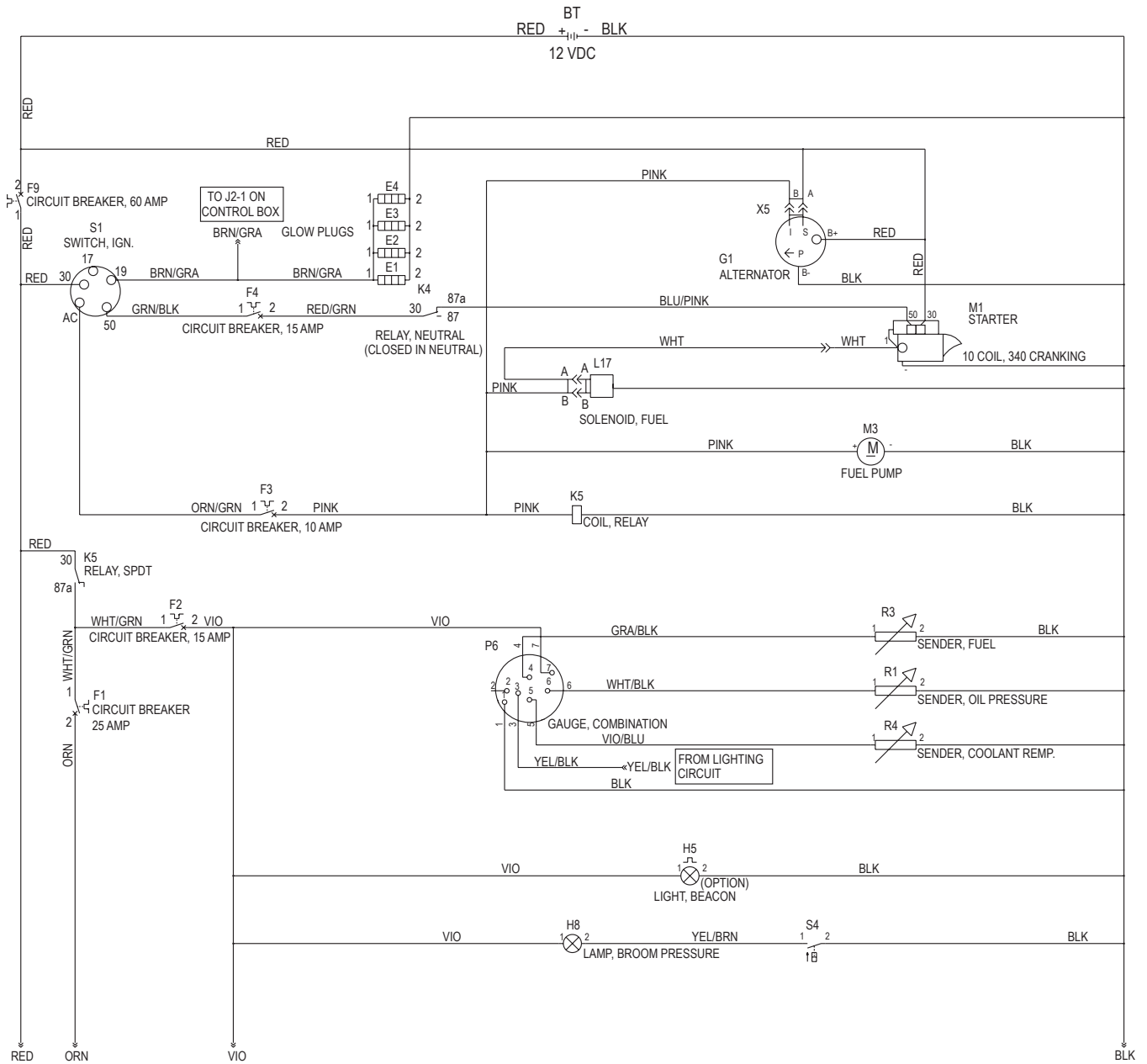


Item	Ref. No.	Qty	Description
A3		1	Engine System
BT	56441511	1	Battery
F1	56464788	1	Circuit Breaker, 25 Amp (ACC 1)
F2	56454538	1	Circuit Breaker, 15 Amp (ACC 2)
F3	56387316	1	Circuit Breaker, 10 Amp (IGN)
F4	56454538	1	Circuit Breaker, 15 Amp (ST)
F9	56263260	1	Circuit Breaker, 60 Amp (MAIN)
H8	56305660	1	Lamp, Broom Pressure
K4	56418387	1	Relay, Neutral (closed in neutral)
M3	56305062	1	Fuel Pump (Petrol)
P6	56304569	1	Gauge, Combination (Petrol)
	56304589	1	Gauge, Combination (LPG)
R1	56305619	1	Sender, Oil Pressure
R3	56455567	1	Sender, Fuel
S1	56418685	1	Switch, Ignition
*	56419123	1	Replacement Key
S4	56305618	1	Switch, Broom Pressure

* = Not Shown

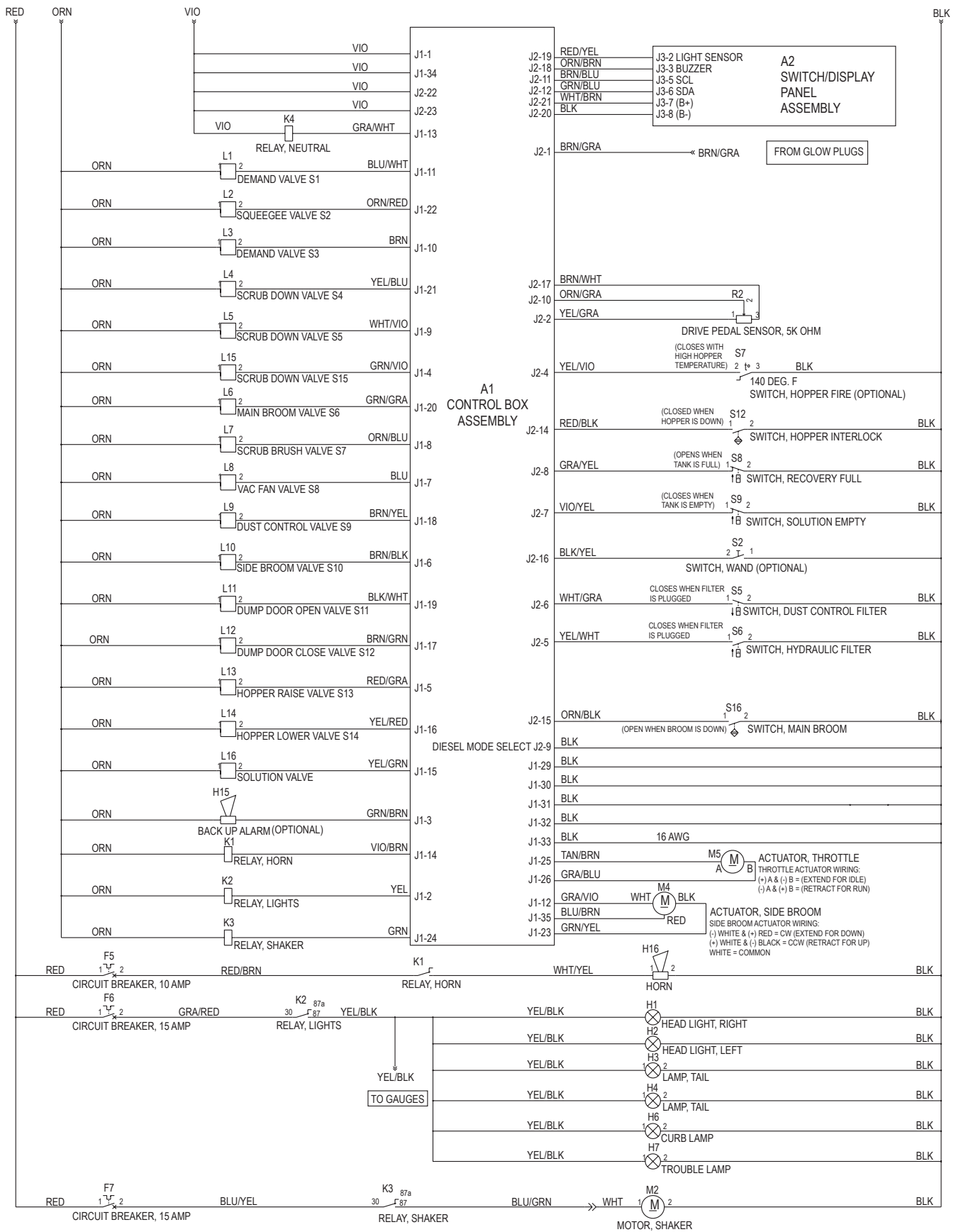


Item	Ref. No.	Qty	Description
A1	56305288	1	Control Box Assembly
A2	56305287	1	Membrane Switch
F5	56387316	1	Circuit Breaker, 10 Amp (HORN)
F6	56454538	1	Circuit Breaker, 15 Amp (HEADLIGHTS)
F7	56454538	1	Circuit Breaker, 15 Amp (SHAKER)
H1	56304768	1	Headlight, Right
H2	56304768	1	Headlight, Left
H3	56305237	1	Lamp, Tail
H4	56305237	1	Lamp, Tail
H5	56305482	1	Light, Beacon (optional)
H6	56304768	1	Lamp, Curb (optional)
H7	56305627	1	Lamp, Trouble (optional)
H15	56462366	1	Back-Up Alarm (optional)
H16	56442054	1	Horn
K1	56418387	1	Relay, Horn
K2	56418387	1	Relay, Lights
K3	56418387	1	Relay, Shaker
K4	56418387	1	Relay, Neutral (closed in neutral)
L1	NA	1	Demand Valve, S1
L2	NA	1	Squeegee Valve, S2
L3	NA	1	Demand Valve, S3
L4	NA	1	Scrub Down Valve, S4
L5	NA	1	Scrub Down Valve, S5
L6	NA	1	Main Broom Valve, S6
L7	NA	1	Scrub Brush Valve, S7
L8	NA	1	Vac Fan Valve, S8
L9	NA	1	Dust Control Valve, S9
L10	NA	1	Side Broom Valve, S10
L11	NA	1	Dump Door Open Valve, S11
L12	NA	1	Dump Door Close Valve, S12
L13	NA	1	Hopper Raise Valve, S13
L14	NA	1	Hopper Lower Valve, S14
L15	NA	1	Scrub Down Valve, S15
L16	56305103	1	Solution Valve
M2	56418389	1	Shaker Motor
M4	56305008	1	Actuator, Side Broom
R2	56305129	1	Drive Pedal Sensor
S2	56209321	1	Switch, Wand (optional)
S3	56418381	1	Switch, Low LP Pressure
S5	56305518	1	Switch, Dust Control Filter (optional)
S6	56418994	1	Switch, Hydraulic Filter
S7	56418405	1	Switch, Hopper Fire (optional)
S8	56305977	1	Switch, Recovery Full TSBUS2004-875
S9	56305032	1	Switch, Solution Empty
S12	56305053	1	Switch, Hopper Interlock
S16	56305053	1	Switch, Main Broom

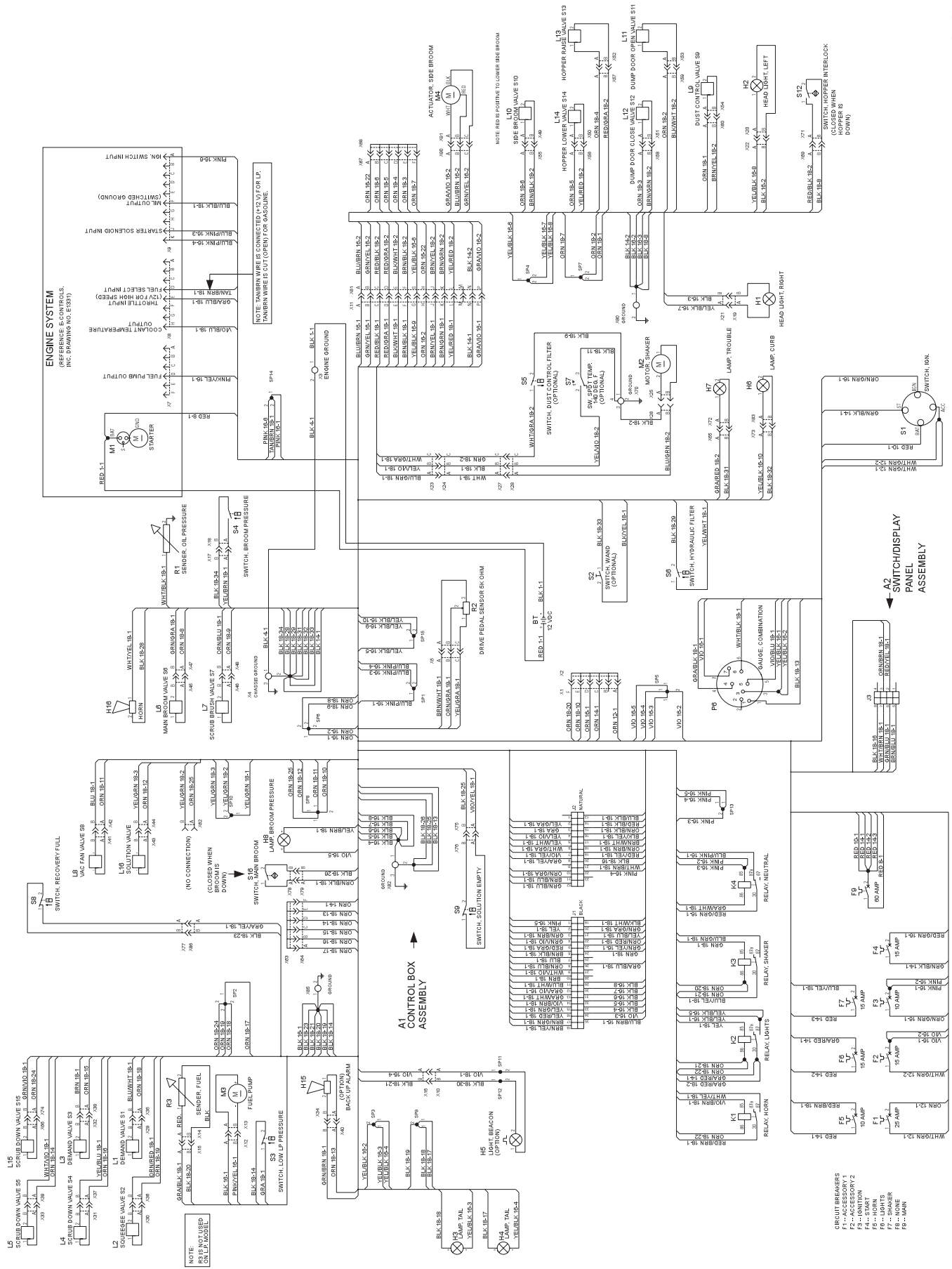


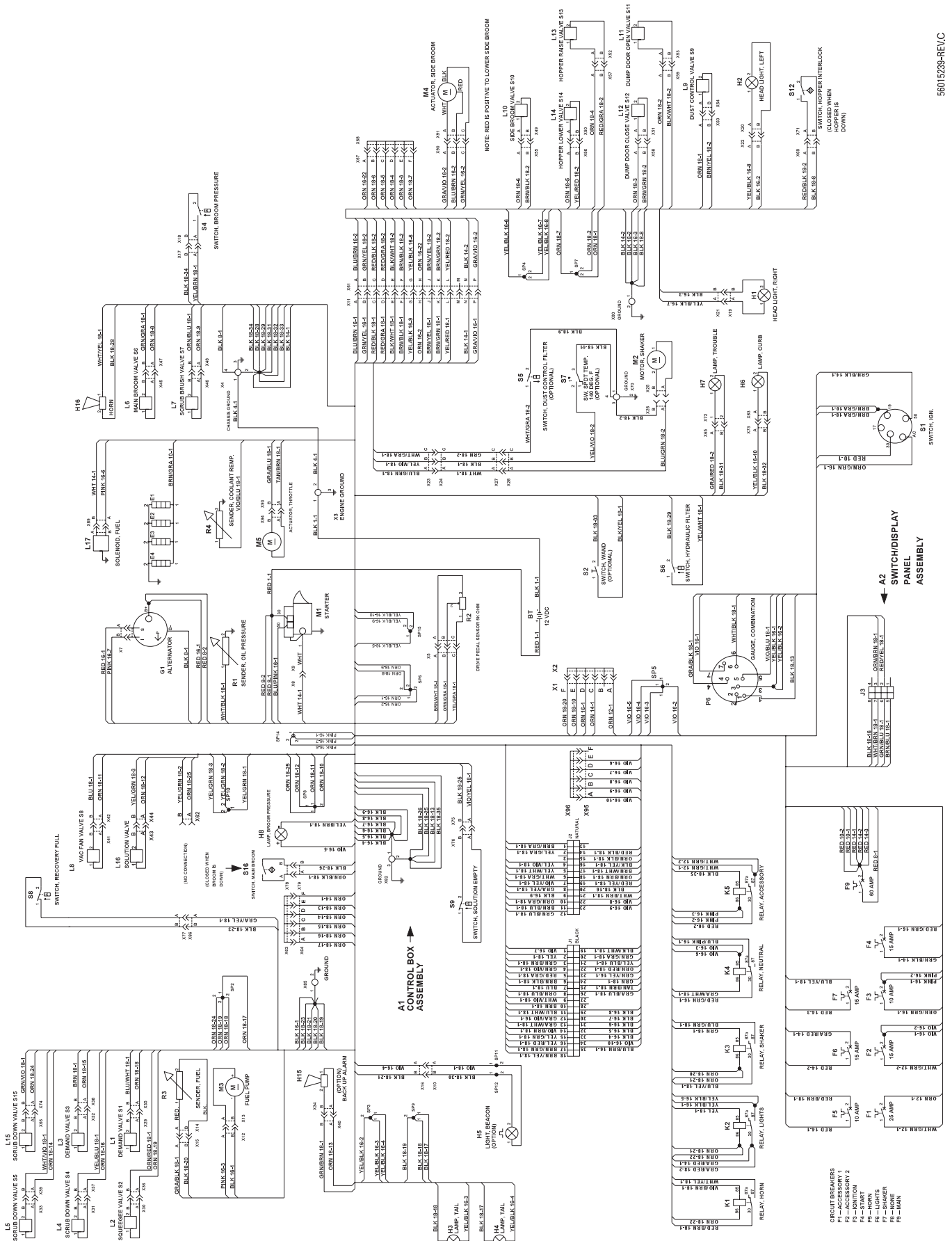
03-5	WIRING DIAGRAM-1 (DIESEL)	BOOK E		
04-4	Captor™ 4300, 4800, 5400 / CR 1100, 1200, 1400	E	14.3.1	67

Item	Ref. No.	Qty	Description
BT	56441511	1	Battery
E1	NA	1	Glow Plug
E2	NA	1	Glow Plug
E3	NA	1	Glow Plug
E4	NA	1	Glow Plug
F1	56464788	1	Circuit Breaker, 25 Amp (ACC 1)
F2	56454538	1	Circuit Breaker, 15 Amp (ACC 2)
F3	56387316	1	Circuit Breaker, 10 Amp (IGN)
F4	56454538	1	Circuit Breaker, 15 Amp (ST)
F9	56263260	1	Circuit Breaker, 60 Amp (MAIN)
G1	56305867	1	Alternator
H5	56305482	1	Light, Beacon (optional)
H8	56305660	1	Lamp, Broom Pressure
K4	56418387	1	Relay, Neutral (closed in neutral)
K5	56418387	1	Relay, Accessory
L17	56419446	1	Fuel Solenoid
M1	56419089	1	Starter Motor
M3	56418793	1	Fuel Pump
P6	56304569	1	Gauge, Combination
R1	56305619	1	Sender, Oil Pressure
R3	56455567	1	Sender, Fuel
R4	56305873	1	Sender, Coolant Temp
S1	56497754	1	Switch, Ignition
S4	56305618	1	Switch, Broom Pressure



Item	Ref. No.	Qty	Description
A1	56305288	1	Control Box Assembly
A2	56305287	1	Membrane Switch
F5	56387316	1	Circuit Breaker, 10 Amp (HORN)
F6	56454538	1	Circuit Breaker, 15 Amp (HEADLIGHTS)
F7	56454538	1	Circuit Breaker, 15 Amp (SHAKER)
H1	56304768	1	Headlight, Right
H2	56304768	1	Headlight, Left
H3	56305237	1	Lamp, Tail
H4	56305237	1	Lamp, Tail
H6	56304768	1	Lamp, Curb (optional)
H7	56305627	1	Lamp, Trouble (optional)
H15	56462366	1	Back-Up Alarm (optional)
H16	56442054	1	Horn
K1	56418387	1	Relay, Horn
K2	56418387	1	Relay, Lights
K3	56418387	1	Relay, Shaker
K4	56418387	1	Relay, Neutral (closed in neutral)
L1	NA	1	Demand Valve, S1
L2	NA	1	Squeegee Valve, S2
L3	NA	1	Demand Valve, S3
L4	NA	1	Scrub Down Valve, S4
L5	NA	1	Scrub Down Valve, S5
L6	NA	1	Main Broom Valve, S6
L7	NA	1	Scrub Brush Valve, S7
L8	NA	1	Vac Fan Valve, S8
L9	NA	1	Dust Control Valve, S9
L10	NA	1	Side Broom Valve, S10
L11	NA	1	Dump Door Open Valve, S11
L12	NA	1	Dump Door Close Valve, S12
L13	NA	1	Hopper Raise Valve, S13
L14	NA	1	Hopper Lower Valve, S14
L15	NA	1	Scrub Down Valve, S15
L16	56305103	1	Solution Valve
M2	56418389	1	Shaker Motor
M4	56305008	1	Actuator, Side Broom
M5	56304348	1	Actuator, Throttle
R2	56305129	1	Drive Pedal Sensor
S2	56209321	1	Switch, Wand (optional)
S5	56305518	1	Switch, Dust Control Filter (optional)
S6	56418994	1	Switch, Hydraulic Filter
S7	56418405	1	Switch, Hopper Fire (optional)
S8	56305977	1	Switch, Recovery Full TSBUS2004-875
S9	56305032	1	Switch, Solution Empty
S12	56305053	1	Switch, Hopper Interlock
S16	56305053	1	Switch, Main Broom





56015239-REV.C

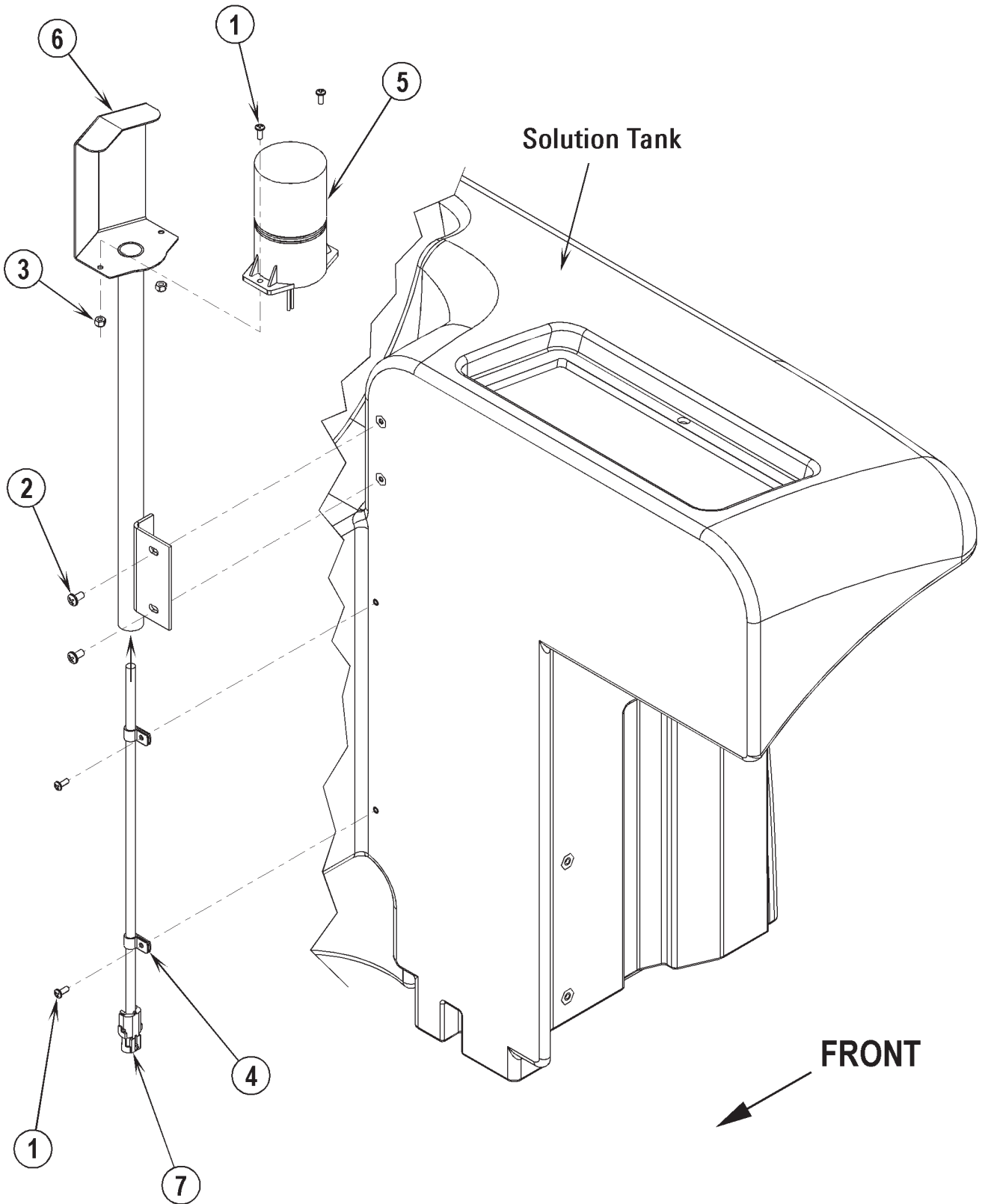
03-5	OPTIONAL KITS AND ACCESSORIES	BOOK E		
04-9	Captor™ 4300, 4800, 5400 / CR 1100, 1200, 1400	E	14.3.1	73

Item	Ref. No.	Qty	Description
			Optional Kits (See Parts List 56042449 for an individual parts break down of each kit)
**	56305509	1	Temperature Switch Kit
**	56305519	1	Backup Alarm Kit (Standard on Nilfisk models)
**	56305517	1	Hopper Filter Switch Kit
**	56305482	1	Beacon Kit (Standard on 48" & 54" Nilfisk models)
**	56305881	1	Beacon Kit (Standard on 43" Nilfisk models)
**	56305896	1	Solution Fill Shutoff Kit (48" & 54" Models)
**	56305820	1	Solution Fill Shutoff Kit (43" Models)
**	56305493	1	Tower Bumper Kit
**	56305621	1	Fire Extinguisher Kit
**	56305628	1	Underhood Light Kit
**	56305530	1	Vacuum Wand Kit
**	56305637	1	Overhead Guard Kit
**	56305641	1	Curb Light Kit
**	56305643	1	Rearview Camera Kit
**	56305494	1	Left Side Broom Guard Kit
**	56305495	1	Right Side Broom Guard Kit
**	56305652	1	Both Side Broom Guard Kit
**	56305611	1	Seat Kit
**	56305794	1	PreFilter Grid Kit
**	56419369	1	Seat Belt Kit
**	56305647	1	Controller Interface Kit
			43" Squeegee Blade Kits NOTE #1
**	56305695	1	Blade Kit, Squeegee Linatex 43
**	56305693	1	Blade Kit, Squeegee Neoprene 43
			48" Squeegee Blade Kits NOTE #1
**	56305686	1	Blade Kit, Squeegee Linatex 48
**	56305682	1	Blade Kit, Squeegee Neoprene 48
			54" Squeegee Blade Kits NOTE #1
**	56305696	1	Blade Kit, Squeegee Linatex 54
**	56305694	1	Blade Kit, Squeegee Neoprene 54
			Side Blade Kits (All Models) NOTE #2
**	56305697	1	Side Blade Kit
**	56305685	1	Neoprene Side Blade Kit

** = Optional (not included)

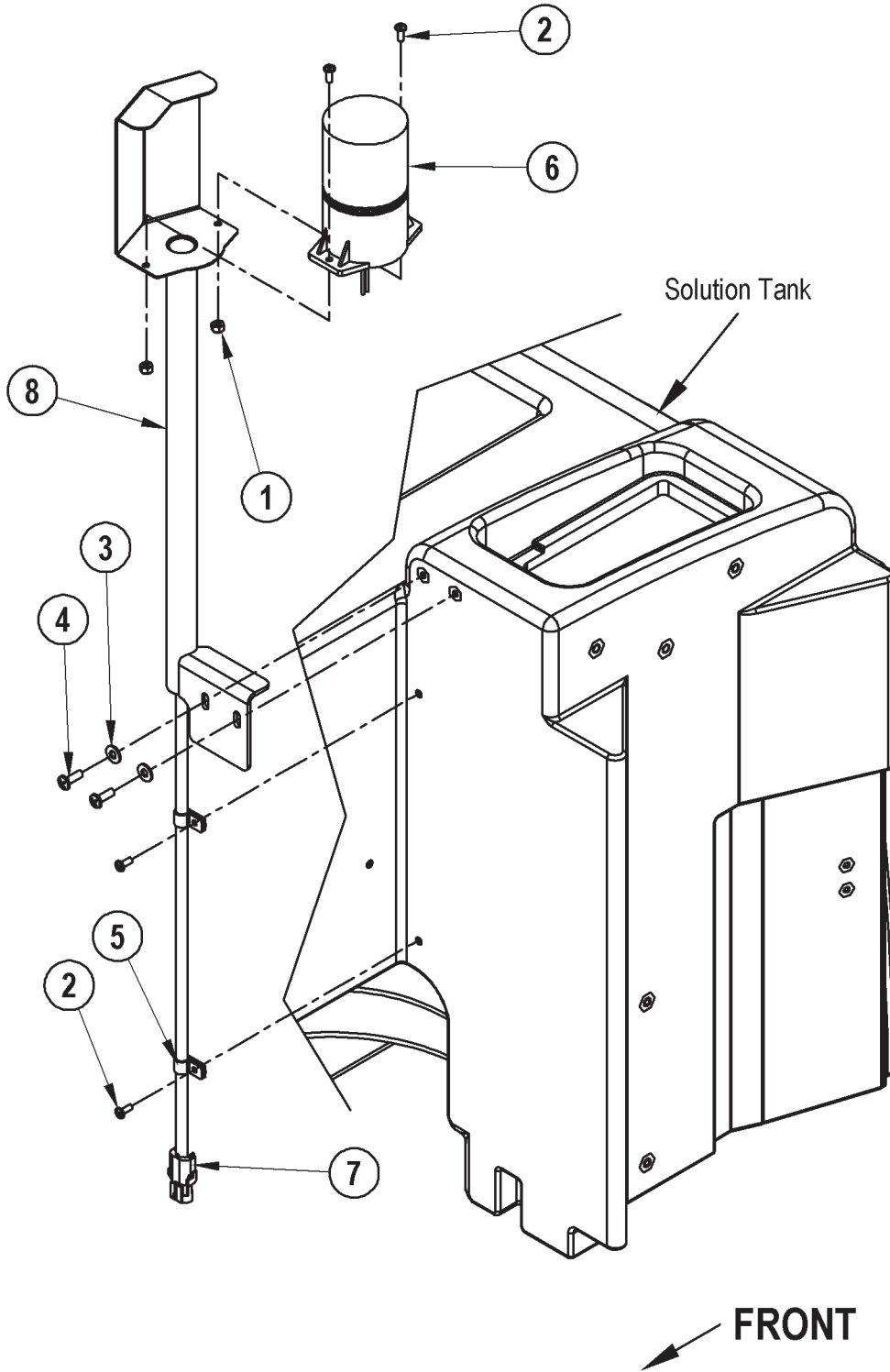
NOTE #1: All squeegee blade kits include both front and rear squeegee blades.

NOTE #2: Side Blade Kits contain ALL skirts needed for BOTH side skirt assemblies.



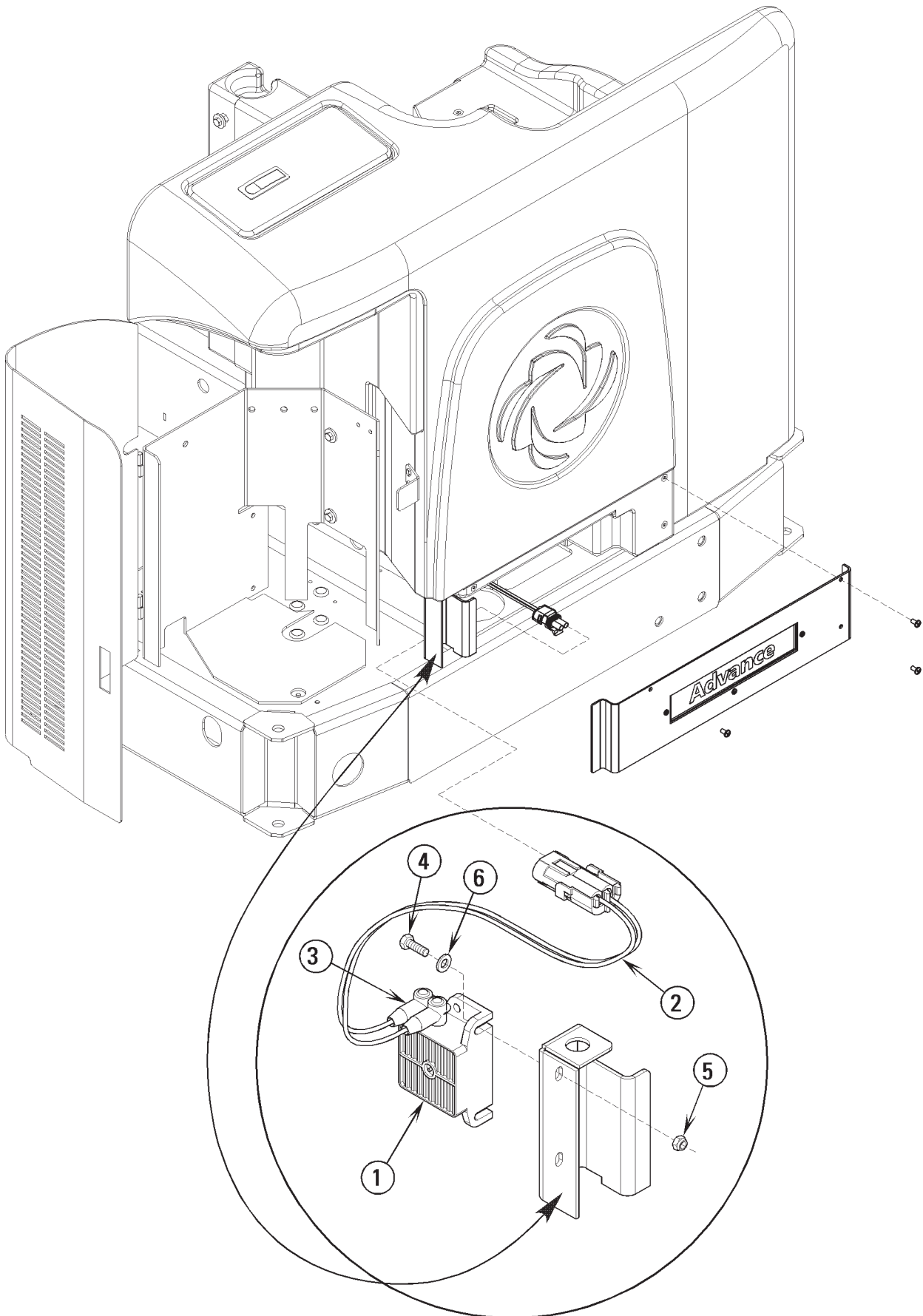
03-5	BEACON KIT (STANDARD ON 48" & 54" NILFISK MODELS)	BOOK E		
04-2	Captor™ 4300, 4800, 5400 / CR 1100, 1200, 1400	E	14.3.1	75

Item	Ref. No.	Qty	Description
	56305482		Beacon Kit (Standard on 48" & 54" Nilfisk Models)
	56040802	1	Instruction Sheet
1	56001993	4	Scr, Pan Phil 10-24 x .50
2	56002145	2	Scr, Pan Phil 1/4-20 x .50
3	56002768	2	Nut, Hex Nyl Loc 10-24
4	56172017	2	Clamp, P
5	56305223	1	Beacon, Warning
6	56305481	1	Tube Weld't.
7	56305513	1	Harness, Beacon



03-5	BEACON KIT (STANDARD ON 43" NILFISK MODELS)	BOOK E		
04-2	Captor™ 4300, 4800, 5400 / CR 1100, 1200, 1400	E	14.3.1	77

Item	Ref. No.	Qty	Description
	56305881		Beacon Kit (Standard on 43" Nilfisk Models)
	56040802	1	Instruction Sheet
1	56002768	2	Nut, Hex Nyl Loc 10-24
2	56001993	4	Scr, Pan Phil 10-24 x .50
3	56002098	2	Wsh, Fit SAE 1/4
4	56002507	2	Scr, Pan Phil 1/4-20 x .75
5	56172017	2	Clamp, P
6	56305223	1	Beacon, Warning
7	56305513	1	Harness, Beacon
8	56305883	1	Beacon Mount Weldment



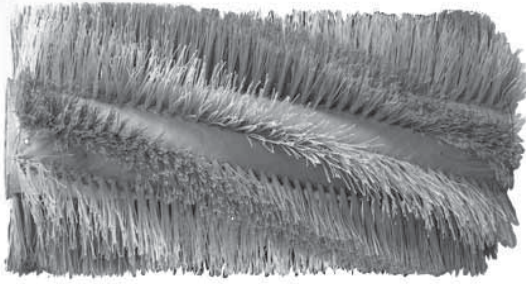
03-5

BACKUP ALARM KIT (STANDARD ON NILFISK MODELS)**BOOK E**

04-2

Captor™ 4300, 4800, 5400 / CR 1100, 1200, 1400**E****14.3.1****79**

Item	Ref. No.	Qty	Description
	56305519		Backup Alarm Kit (Standard on Nilfisk Models)
	56040800	1	Instruction Sheet
1	56462366	1	Backup Alarm
2	56409495	1	Wire Assembly, Pigtail
3	56409538	2	Terminal Insulator
4	56002155	2	Scr, Hex 1/4-20 x .75
5	56002708	2	Nut, Hex Nyl Loc 1/4-20
6	56002098	2	Wsh, Flt 1/4



8 Double Row

Length40" (101.6 cm)
 Diameter14" (35.56 cm)

Main Broom: PN56505955 Proex & Wire (STD.) (8 Double Rows)
 This broom has a more aggressive cleaning action, used to pick up heavier debris.

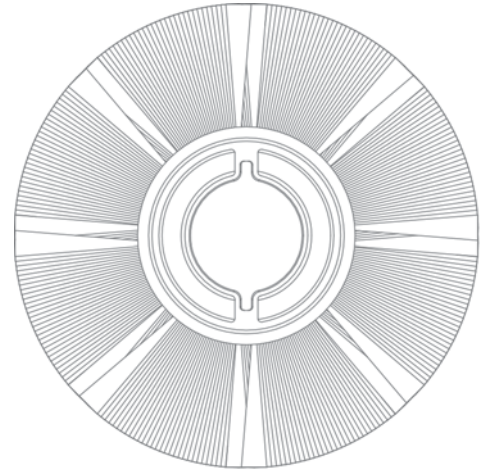
PN56505956 Prolene (Optional) (8 D-Rows)
 A top quality synthetic fiber. This filament is made for a wide variety of applications. Retains its stiffness when wet and resists abrasive chemicals, solvents and oils. A general purpose material offering high performance for a wide range of applications.

PN56505953 Nylon (Optional) (8 D-Rows)
 General purpose broom that can be used for all types of light soil. High wear material so uneven surfaces do not cause excessive wear. Nylon has a high heat deflection temperature, is chemical resistant and will absorb water in wet conditions. Truly a general purpose broom.

PN56505952 Proex (Optional) (12 Double Rows)
PN56505954 Proex (Optional) (8 Double Rows)
 Synthetic fiber made of polypropylene designed to pick up paper, gravel, sand and other lighter less bulky litter.

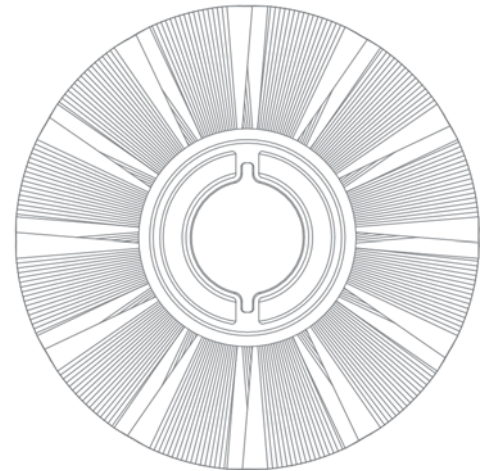
PN56505951 Poly/Wire (Optional) (8 Double Rows)

Side Broom: PN56462252 Polypropylene (STD.)
 The side broom function is to sweep the dirt and debris away from the curb, wall, pallet, etc. into the path of the main broom.



12 Double Row

Length40" (101.6 cm)
 Diameter14" (35.56 cm)



Diameter20" (50.8 cm)

03-5	BRUSH SELECTOR GUIDE	BOOK E		
04-5	Captor™ 4300, 4800, 5400 / CR 1100, 1200, 1400	E	14.3.1	81

We provide brushes and pad holders that will give you the best possible performance between machine and floor. Following are descriptions of the materials and their applications when used on the CR.

- Union Mix:** Medium grade natural fibers for polishing finished floors with standard-speed equipment. Recommended for use in place of white pads.
- ProLite:** Bristles are made from light-duty polypropylene for general scrubbing when you do not want to scratch or remove finish from the floor. Recommended for use in place of red pads.
- Prolene:** Polypropylene material for medium-duty scrubbing on concrete, terrazzo and vinyl floor tile. Recommended for use in place of green or blue pads.
- Magna Grit:** For extreme heavy-duty scrubbing or stripping of floors. This brush has extra large diameter silicon carbide grit impregnated synthetic bristles. Recommended for use in place of black pads.
- Dyna Grit:** For aggressive, heavy-duty scrubbing or stripping of floors. Recommended for use in place of brown pads.
- MidLite Grit:** For general purpose scrubbing of sealed or unsealed concrete, stone, terrazzo, quarry tile and other resilient hard floor surfaces. Recommended for use in place of green or blue pads.
- MidGrit:** For general purpose scrubbing when you need a lighter action for sealed or unsealed concrete, stone, terrazzo, quarry tile and other resilient hard floor surfaces. Recommended for use in place of green or blue pads.
- AgLite Grit:** For light scrubbing when used wet; buffing or polishing when used dry on urethane coated, sealed concrete or other resilient hard surface floors. Recommended for use in place of red or white pads.
- Short Trim Pad Holder:** Made with a structural foam block and center ring for correct pad centering. It has a "shower feed" design for getting solution to the floor.

43" BRUSHES

- 56505946 - Union Mix
- 56505944 - Prolene
- 56505942 - Dyna Grit
- 56505947 - MidGrit
- 56505940 - Short Trim Pad Holder
- 56505945 - ProLite
- 56505941 - Magna Grit
- 56505948 - MidLite Grit (std)
- 56505943 - AgLite Grit

48" BRUSHES

- 56505786 - Union Mix
- 56505784 - Prolene
- 56505782 - Dyna Grit
- 56505787 - MidGrit
- 56505780 - Short Trim Pad Holder
- 56505785 - ProLite
- 56505781 - Magna Grit
- 56505788 - MidLite Grit (std)
- 56505783 - AgLite Grit

54" BRUSHES

- 56505806 - Union Mix
- 56505804 - Prolene
- 56505802 - Dyna Grit
- 56505807 - MidGrit
- 56505800 - Short Trim Pad Holder
- 56505805 - ProLite
- 56505801 - Magna Grit
- 56505808 - MidLite Grit (std)
- 56505803 - AgLite Grit

DISC BRUSH APPLICATION GUIDE (SUGGESTION ONLY)

Application	46 Grit	80 Grit	180 Grit	240 Grit	500 Grit	Prolene	ProLite	Union Mix
Stripping:								
Concrete	X	X						
Terrazzo	X	X						
Ceramic/Quarry tile		X						
Vinyl tile		X						
General Scrubbing:								
Concrete	X	X	X	X		X		
Terrazzo			X	X	X	X		
Ceramic/Quarry tile			X	X	X	X		
Marble					X		X	
Vinyl tile			X		X	X		
Raised-rubber tile					X		X	
Polishing:								
Raised Disc Tile								X
Marble								X
Vinyl tile								X

Austria (Sales Sub)

Nilfisk-Advance GmbH	Phone: +43
Voralberger Allee 46	1616 58 30 22
A-1230 Wien	Fax: +43
info@nilfisk-advance.at	1616 58 30 40
www.nilfisk-advance.at	

Belgium (Sales Sub)

Nilfisk-Advance NV/SA	Phone: +32
Doornveld Sphere Business Park	(0)2467 60 50
Industrie Asse 3, No. 11	Fax: +32
B-1731 Zellik-Asse	(0)2463 44 16
www.nilfisk-advance.be	

Czech Republic (Sales Sub)

Nilfisk-Advance s.r.o.	Phone: +420
Lysinská 44/1863	2 44 09 09 12
143 00 Praha - Modrany	+420
Czech Republic	2 44 09 09 21 4
	Fax: +420
	2 44 40 23 93

Denmark

Nilfisk-Advance A/S	Phone: +45
Sognevej 25	43 23 81 00
DK-2605 Brøndby	Fax: +45
mail@nilfisk-advance.dk	43 43 77 00
www.nilfisk-advance.com	

Denmark (Prod. Sub)

Gerni A/S	Phone: +45
Myntevej 2	89 12 22 00
DK-8900 Randers	Fax: +45
www.gerni.com	86 43 14 81

Denmark (Sales Sub)

Nilfisk-Advance Nordic A/S	Phone: +45
Sognevej 25A	43 23 40 50
Postbox 344	Fax: +45
DK-2605 Brøndby	43 23 40 60
kundeservice@nilfisk-advance.dk	
www.nilfisk-advance.dk	

France (Sales Sub)

Nilfisk-Advance S.A.	Phone: +33
27 avenue de la Baltique	1695 98 700
Villebon sur Yvette	Fax: +33
P.B. 246	1695 98 701
F-91944 Courtaboeuf Cedex	
info@nilfisk-advance.fr	
www.nilfisk-advance.fr	

Germany (Sales Sub)

Nilfisk-Advance AG	Phone: +49
Siemensstrasse 25-27	4101 3990
Postfach 1361	Fax: +49
D-25462 Rellingen	4101 39 91 91
info@nilfisk-advance.de	
www.nilfisk-advance.de	

Greece (Sales Sub)

Nilfisk-Advance A.E.	Tel.: +30
8, Thoukididou Str.	210 963 3443
Argioupoli	Fax: +30
Gr - 164 52 Athens	210 965 0975
Greece	

Holland (Sales Sub)

Nilfisk-Advance B.V.	Phone: +31
Camerastraat 9 (2e verdieping)	36 546 07 00
1322 BB Almere	Fax: +31
Postbus 60112	36 523 51 48
1320 AC Almere	
www.nilfisk-advance.nl	

Ireland (Sales Sub)

Nilfisk-Advance Limited	Phone: +35
28 Sandyford Office Park	3 12 94 38 38
Sandyford, Dublin 18	Fax: +35
Ireland	3 12 94 38 45

Italy (Prod & Sales Sub)

CFM SpA	Phone: +39
Nilfisk-Advance Div. Guardamiglio	0377 /414021
Localita Novella III	/45 1124
I-26862 Guardamiglio (Mi)	Fax: +39
	0377 51 443

Italy (Prod & Sales Sub)

CFM S.p.A.	Phone: +39
Via Porrettana 1991	059 973 0000
I-41059 Zocca (Modena)	Fax: +39
cfm@cfm.it	059 973 0099

Norway (Sales Sub)

Nilfisk-Advance AS	Phone: +47
Ulvenveien 89C	23 06 75 00
N-0581 Oslo	Fax: +47
	23 06 75 01

Poland (Sales Sub)

Nilfisk-Advance Sp.Z.O.O.	Phone: +48
05-800 Pruszków	22 738 37 50
ul. 3-go MAJA 8	Fax: +48
Poland	22 738 37 51

Portugal (Sales Sub)

Nilfisk-Advance, Lda.	Phone: +35
Sintra Business Park	121 911 2670
Zona Industrial Da Abrunheira	Fax: +35
Edificio 1, 1o A	121 911 2679
P-2710-089 Sintra	

Russia (Sales Sub)

Nilfisk-Advance LLC	Phone: 7
Vyatskaya str. 27, bld. 7	095 783 9602
127015 Moscow	Fax: +7
Russia	095 783 9603

Spain (Sales Sub)

Nilfisk-Advance S.A.	Phone: +34
Torre D'Ara	93 741 2400
Passeig del Rengle, 5 Pl.10	Fax: +34
E-08302 Mataró (Barcelona)	93 757 8020
nilfisk@nilfisk-advance.es	

Sweden (Sales Sub)

Nilfisk -Advance A/S	Phone: +46
Sjöbjörnsvägen 5	8555 94400
Box 44045	Fax: +46
S-100 73 Stockholm	8555 94430
info@nilfisk-advance.se	
www.nilfisk-advance.se	

Sweden (Prod.)

Nilfisk-Advance A/S	Phone: +46
Åmål Branch	5321 7500
Strömsbergsgatan	Fax: +46
Box 127	5321 7595
S-662 23 Åmål	

Switzerland (Sales Sub)

Nilfisk-Advance AG	Phone: +41
Ringsstrasse 19	71 92 38 444
Kirchberg/Industrie Stelzl	Fax: +41
CH-9500 Wil	71 92 35 283

www.nilfisk-advance.ch

UK (Sales Sub)

Nilfisk-Advance Limited	Phone: +44
Newmarket Road	1284 763163
Bury St. Edmunds	Fax: +44
UK-Suffolk IP33 3SR	1284 750 562

USA (Prod.)

Nilfisk-Advance Inc.	Phone: +1 763
14600 21.st Avenue North	745 3500
Plymouth, MN 55447-3408	Fax: +1 763
www.mn.nilfisk-advance.com	745 3718

USA (Sales Sub)

Nilfisk-Advance America Inc.	Phone: +1 610
300 Technology Drive	647 6420
Malvern, PA 19355	Fax: +1 610
www.pa.nilfisk-advance.com	647 6427

Canada (Sales Sub)

Nilfisk-Advance Canada Comp.	Phone: +1 905
396 Watline Avenue	712 3260
Mississauga, Ontario L4Z 1X2	Fax: +1 905
	712 3255

Australia (Sales Sub)

Nilfisk-Advance Pty. Ltd.	Phone: +61(0)2
48 Egerton Street	9648 2700
Silverwater, NSW 2128	Fax: +61(0)2
Postal addresse:	9648 2711
PO Box 6046	
Silverwater. NSW 1811	
info@nilfisk-advance.com.au	
www.nilfisk-advance.com.au	

China (Shenzhen)

Nilfisk-Advance (Shenzhen) Ltd	Phone: +86 755
Blok 3, Unit 130, 1001 Honghua Road	8359 7937 el.
Int. Commercial & Trade Center	8359 7939-42
Fuitian Free Trade Zone	Fax: +86 755
518038 Shenzhen	8359 1063
P.R. China	

China (Suzhou)

Nilfisk-Advance Professional	Phone: +86 512
Cleaning Equipment (Suzhou) Co. Ltd.	8918 5656
306 Su Hong Zhong Road, Build. 2	Fax: +86 512
Suzhou Industrial Park	8918 5666
215021 Suzhou	
P.R. China	

Hong Kong (Sales Sub)

Nilfisk-Advance Ltd.	Phone: +852
2001 HK Worsted Mills Ind'l Bldg.,	2427 5951
31-39 Wo Tong Tsui St.	Fax: +852
Kwai Chung, Hong Kong	2487 5828

Japan (Sales Sub)

Nilfisk-Advance Inc.	Phone: +8145
3-17-40-101 Chigasaki Higashi	942 7741
Tsuzuki-ku, Yokohama 224-0033	Fax: +8145
Japan	942 6545

Malaysia (Sales Sub)

Nilfisk-Advance Sdn Bhd	Phone: +60 3
No. 21, Jalan SS 25/41	7956 8188
Mayang Industrial Park	Fax: +60 3
47301 Petaling Jaya	7966 6828
Selangor, Malaysia	

New Zealand (Sales Sub)

Nilfisk-Advance Limited	Phone: +64(0)9
Danish House	525 0092
6 Rockridge Avenue	Fax: +64(0)9
Penrose 92-829	525 6440
Auckland1135	
Postal addresse:	
Private Bag 92 825	
Auckland	
New Zealand	

Singapore (Sales Sub)

Nilfisk-Advance Pte. Ltd.	Phone: + 65
22,Woodlands Industrial Park E1	6 7599100
Singapore 757740	Fax: +65
sales@nilfisk-advance.com.sg	7599133

Taiwan, ROC (Sales Sub)

Nilfisk-Advance Ltd.	Phone: +886
Taiwan Branch (H.K.)	2 2239 8812
1F, No. 193, Sec.2	Fax: +886
Xing Long Rd., Taipei	2 2239 8832
Taiwan, R.O.C.	

Thailand (Sales Sub)

Nilfisk-Advance Co. Ltd.	Phone: +66 2
89 Soi Chokechai-Ruammitr	275-5630
Viphavadee-Rangsit Road	Fax: +66 2
Ladyao, Jatuchak, Bangkok 10900	691-4079
Thailand	



www.nilfisk-advance.com

© 2005 Printed in USA