



Electronic Service Manuals

This electronic document is provided as a service to our customers. We do not create the contents of the information contained in this document. Should you have detailed questions pertaining to the information contained in this document, you may contact Michco, or the manufacturer which provided the original information in this electronic deliverable. Michco's only part in this electronic deliverable was the electronic assembly process.

You may contact Michco through the following methods:
Phone (517) 484-9312 or (800) 331-3339 MI, OH, IN only
2011 N. High St. -- Lansing, Michigan -- 48906
Fax: (517) 484-9836
Email: CustServ@Michco.com
Web site: www.Michco.Com
Parts Web site: www.FloorMachineParts.Com

Order Parts on Line at:
www.FloorMachineParts.Com

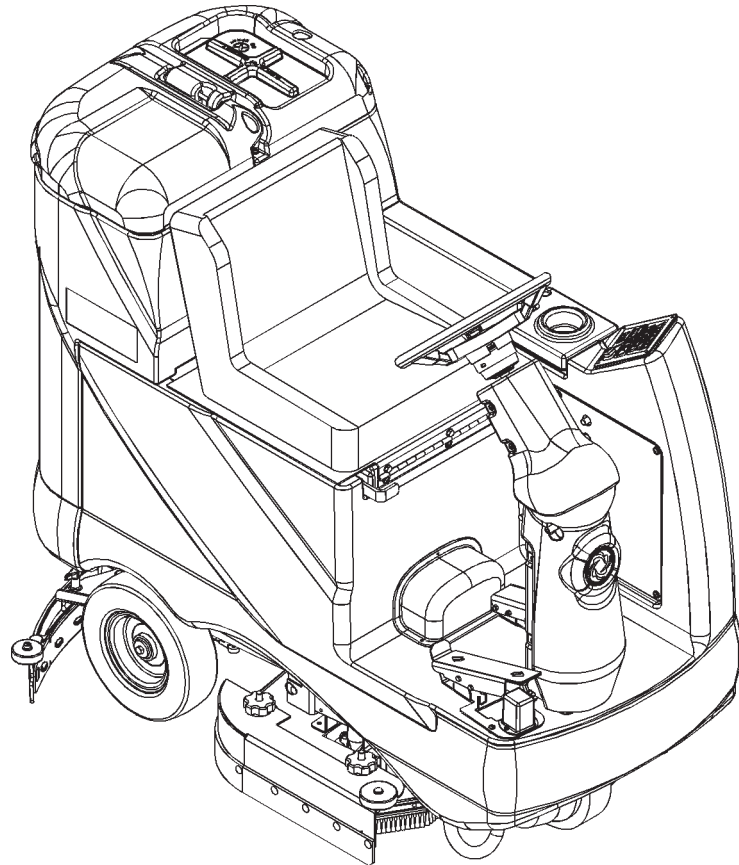
Directly to Parts & Service:
By Email: **Shop@Michco.com**
By Fax: (517) 702-2041
By Voice: Use numbers above.

Serving the Cleaning Industry Since 1922

Notice: All copyrighted material remains property of original owners, all trademarks are property of respective owners. Manuals are subject to Manufacturer's reproduction limitations. Originals or reproductions were provided by manufacturers through a request. We make no warranty as to the correctness of information provided in this document and you assume all risk.

Advenger™

BR 600S, 650S, 700S, 800S



PARTS LIST

**Advance MODELS 56314000(2400D), 56314001(2600D),
56314002(2810D), 56314003(3210D), 56314004(2400C),
56314005(2600C), 56314006(2810C), 56314007(3210C)
Nilfisk MODELS 56314010(600S), 56314011(650S)(obs.)
56314012(700S), 56314013(800S), 56314014(600SC),
56314015(650SC)(obs.), 56314016(700SC), 56314017(800SC)**



**Nilfisk
Advance**
setting standards

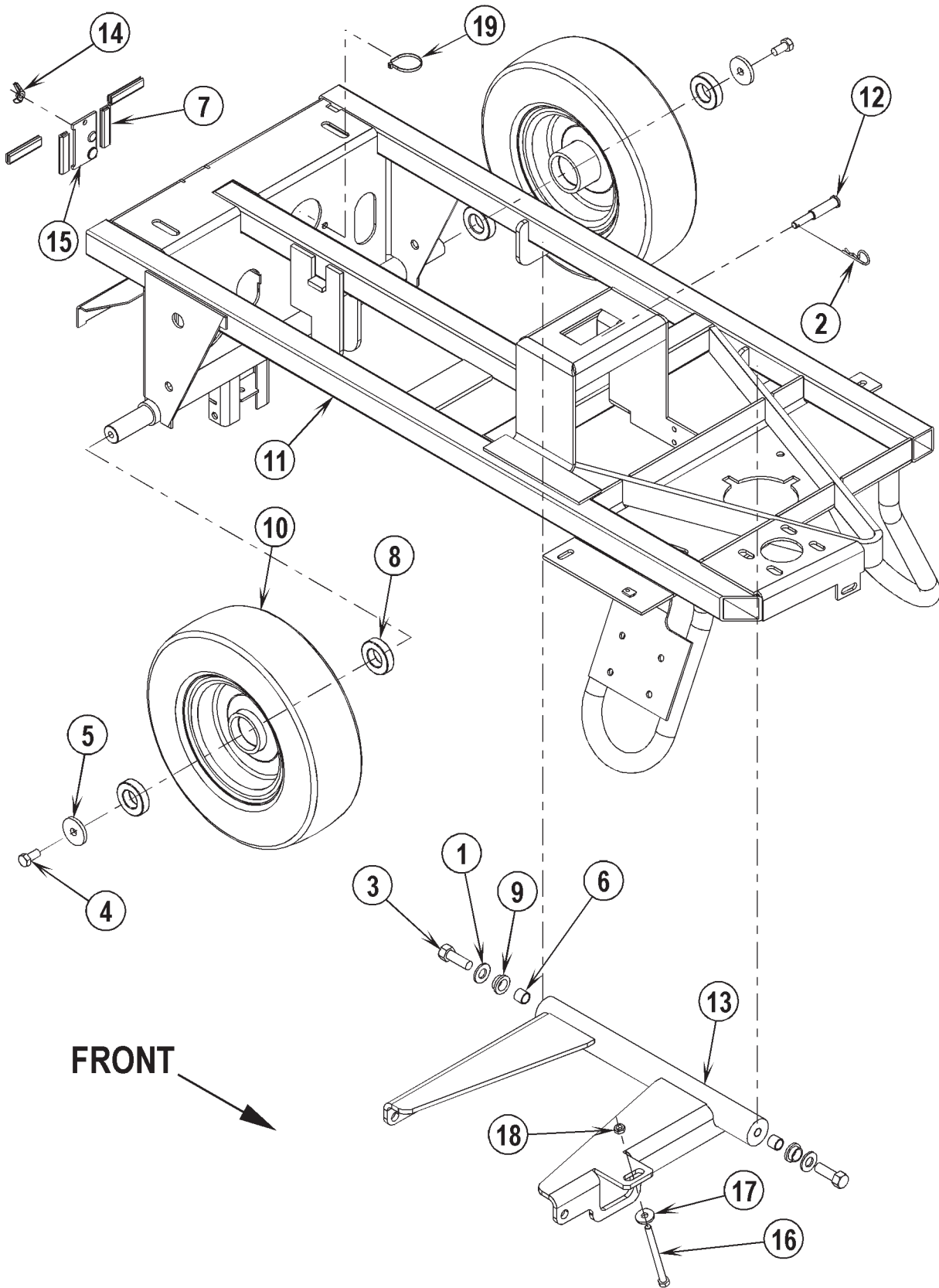
1/03 revised 2/05 FORM NO. 56042438
BOOK E SECTION 13.3.1

DESCRIPTION	PLAN
Chassis System	E-13.3.1-3
Decal System.....	E-13.3.1-5
Drive & Brake Pedal Assemblies	E-13.3.1-7
Electrical Panel Assembly.....	E-13.3.1-9
Front Wheel Assembly.....	E-13.3.1-11
Recovery System.....	E-13.3.1-13
Scrub System-Cylindrical.....	E-13.3.1-15
Scrub System-Disk	E-13.3.1-17
Skirt Assemblies-Cylindrical.....	E-13.3.1-19
Skirt Assemblies-Disk (Before TSBUS2004-884)	E-13.3.1-21
Skirt Assemblies-Disk (After TSBUS2004-884)	E-13.3.1-23
Solution System.....	E-13.3.1-25
Squeegee Assembly	E-13.3.1-27
Squeegee System.....	E-13.3.1-29
Steering Column Assembly.....	E-13.3.1-31
Optional Light Kits.....	E-13.3.1-33
Dual Vac Motor Kit	E-13.3.1-35
Scrub-N-Vac Tool Kit.....	E-13.3.1-37
Vacuum Wand Caddy Kit	E-13.3.1-39
On-Board Charger Kit	E-13.3.1-41
Side Broom Kit.....	E-13.3.1-43
Optional Deck Kits	E-13.3.1-44-55
Wiring Diagram	E-13.3.1-57
Brush Selector Guide-Disk.....	E-13.3.1-58
Brush Selector Guide-Cylindrical.....	E-13.3.1-59
Optional Kits And Accessories	E-13.3.1-60

WHEN ORDERING PARTS

- * Use the 8 digit numbers from the "Ref. No." columns in this parts list.
- * Specify the model and serial number of the machine.
- * Use the space below to record the model and serial number for future reference.

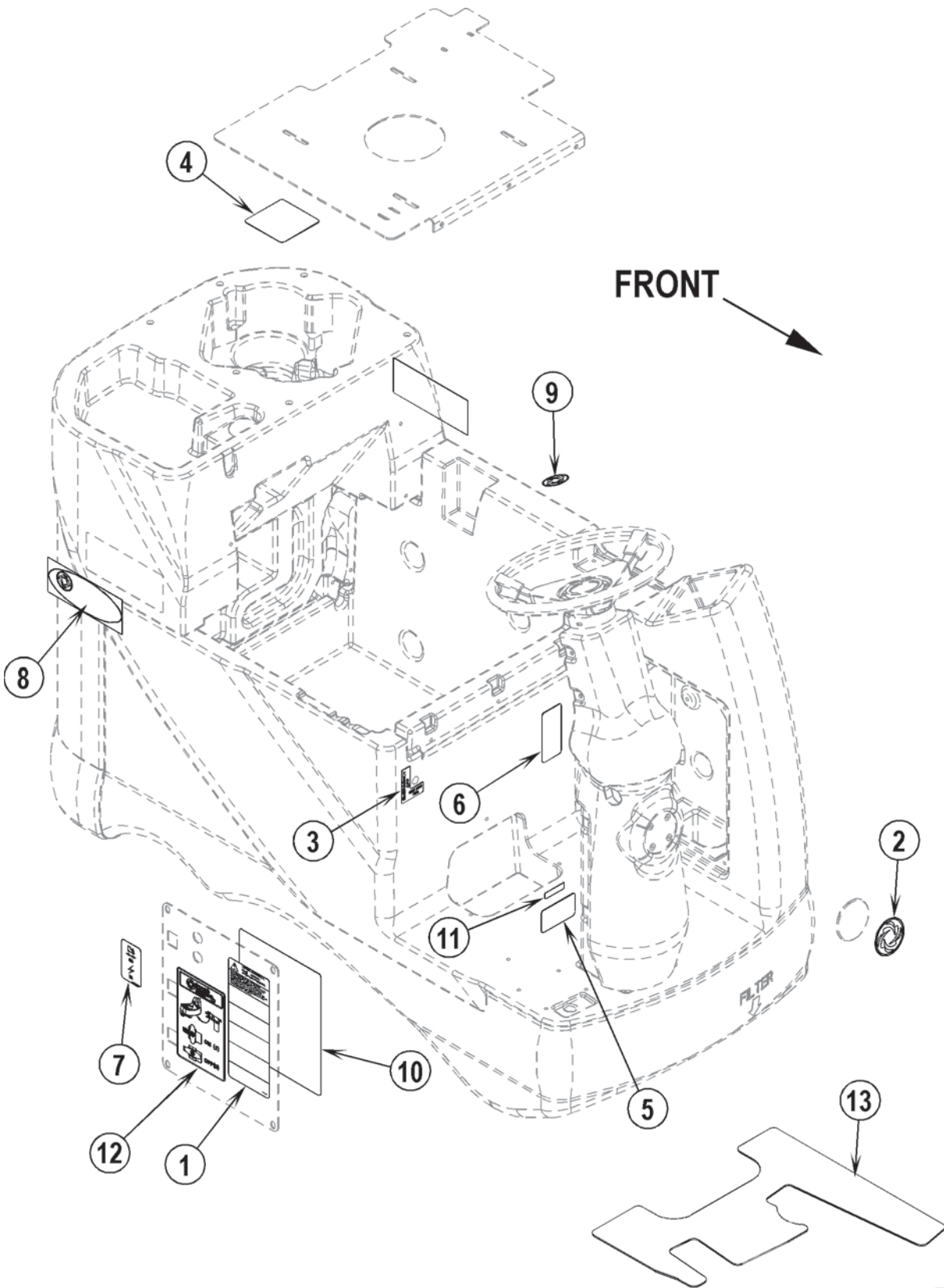
Model _____ Serial No. _____



Item	Ref. No.	Qty	Description
1	56001879	2	Wsh, Flt SAE 1/2
2	56002959	1	Pin, Cotter Hair
3	56003412	2	Scr, Hex Nyl Loc M12-1.25 x 35mm
4	56003442	2	Scr, Hex Nyl Loc M10-1.50 x 20mm
5	56367117	2	Wsh, Flt .406 x 1.50 x .1875
6	56367206	2	Bushing
7	56412122	4	Trim Edge
8	56412243	4	Bearing, Ball
9	56420160	2	Bearing, Flange
10	56314033	2	Wheel, 12.00 x 3.50
**	56412341	2	Wheel Assy, Scrubber
11	56314092	1	Weldment, Chassis
12	56314152	1	Pin, Actuator
13	56314495	1	Linkage, Arm Weldment
14	56002084	1	Nut, Wing 1/4-20
15	56314537	1	Squeegee Stop Bracket
16	56002461	1	Scr, Hex Thd To Hd 5/16-18 x 4.00
17	56009122	1	Wsh, Flt .344 x .938 x .125
18	56009086	1	Nut, Hex Jam 5/16-18
19	56478246	1	Tie, Cable
*	56478246	5	Tie, Cable
*	56477613	9	Cable Tie

* = Not Shown

** = Optional



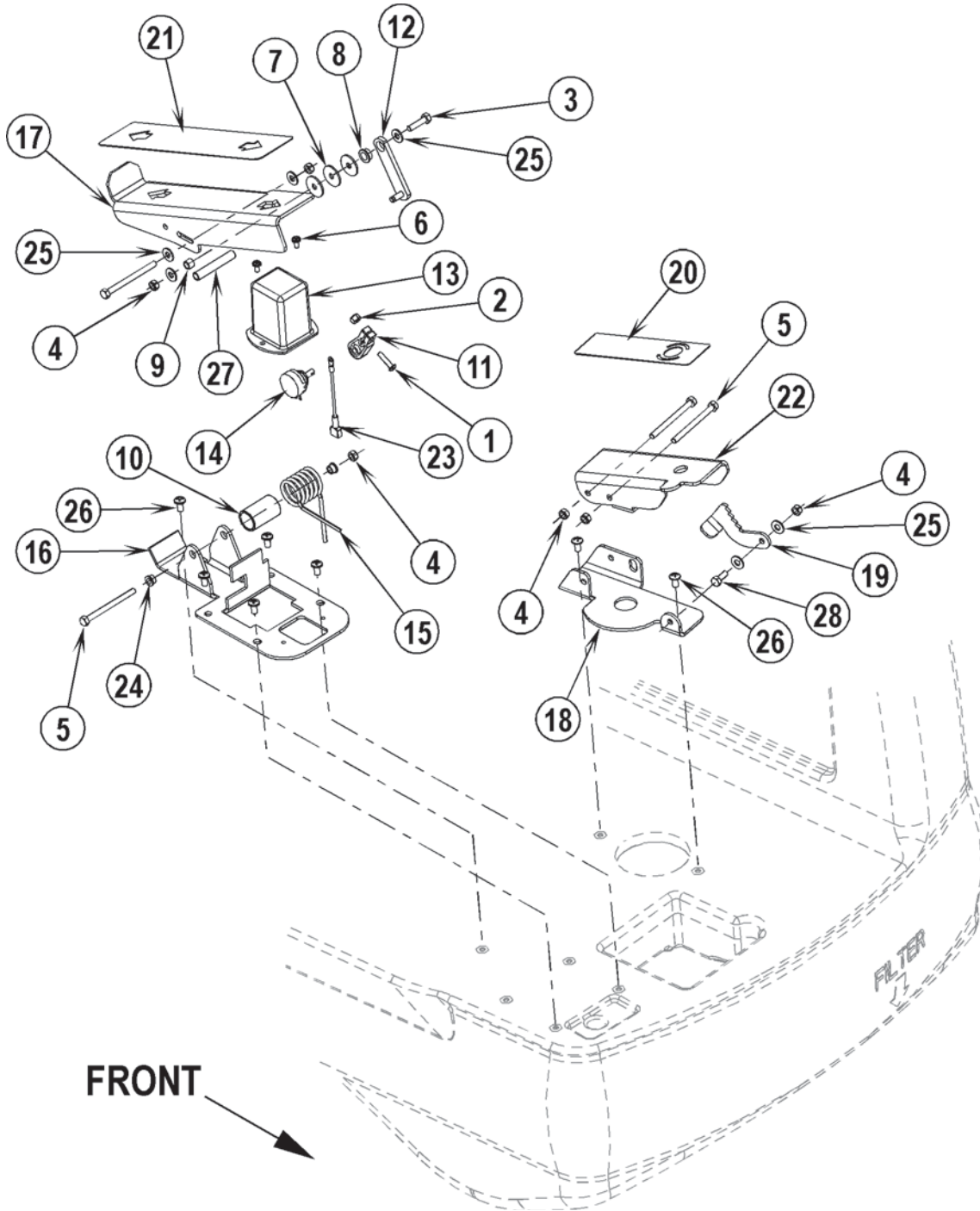
Item	Ref. No.	Qty	Description
1	56014601	1	Decal, Caution
2	56016348	1	Decal, Logo
3	56015179	1	Decal, Emergency
4	56015168	1	Decal, Battery Wiring
5	56016401	1	Decal, Parking Brake
6	56016402	1	Decal, Solution Flow (before TSBUS2004-874)
	56015445	1	Decal, Solution Flow (after TSBUS2004-874)
7	56016403	1	Decal, Circuit Breaker
8	56016405	2	Decal, Advenger NOTE 1
	56016404	2	Decal, Advenger NOTE 2
	56016406	2	Decal, Nilfisk BR600S NOTE 1
	56016671	2	Decal, Nilfisk BR600S NOTE 2
	56016452	2	Decal, Nilfisk BR650S NOTE 1
	56016672	2	Decal, Nilfisk BR650S NOTE 2
	56016453	2	Decal, Nilfisk BR700S NOTE 1
	56016673	2	Decal, Nilfisk BR700S NOTE 2
	56016454	2	Decal, Nilfisk BR800S NOTE 1
	56016674	2	Decal, Nilfisk BR800S NOTE 2
9	56016421	1	Decal, Logo 2 Inch
10	56016667	1	Decal, Ladder Diagram
11	56014450	1	Decal, Patent Number
12	56016407	1	Decal, Smart Solutions (Advance model) NOTE 1
	56016455	1	Decal, ECO Solutions (Nilfisk models) NOTE 1
13	56314876	1	Floor Mat (Nilfisk only after Sept. 2004)

NOTE 1: Used on machines built after serial number chart (ECO Solution & Smart Solution implemented).

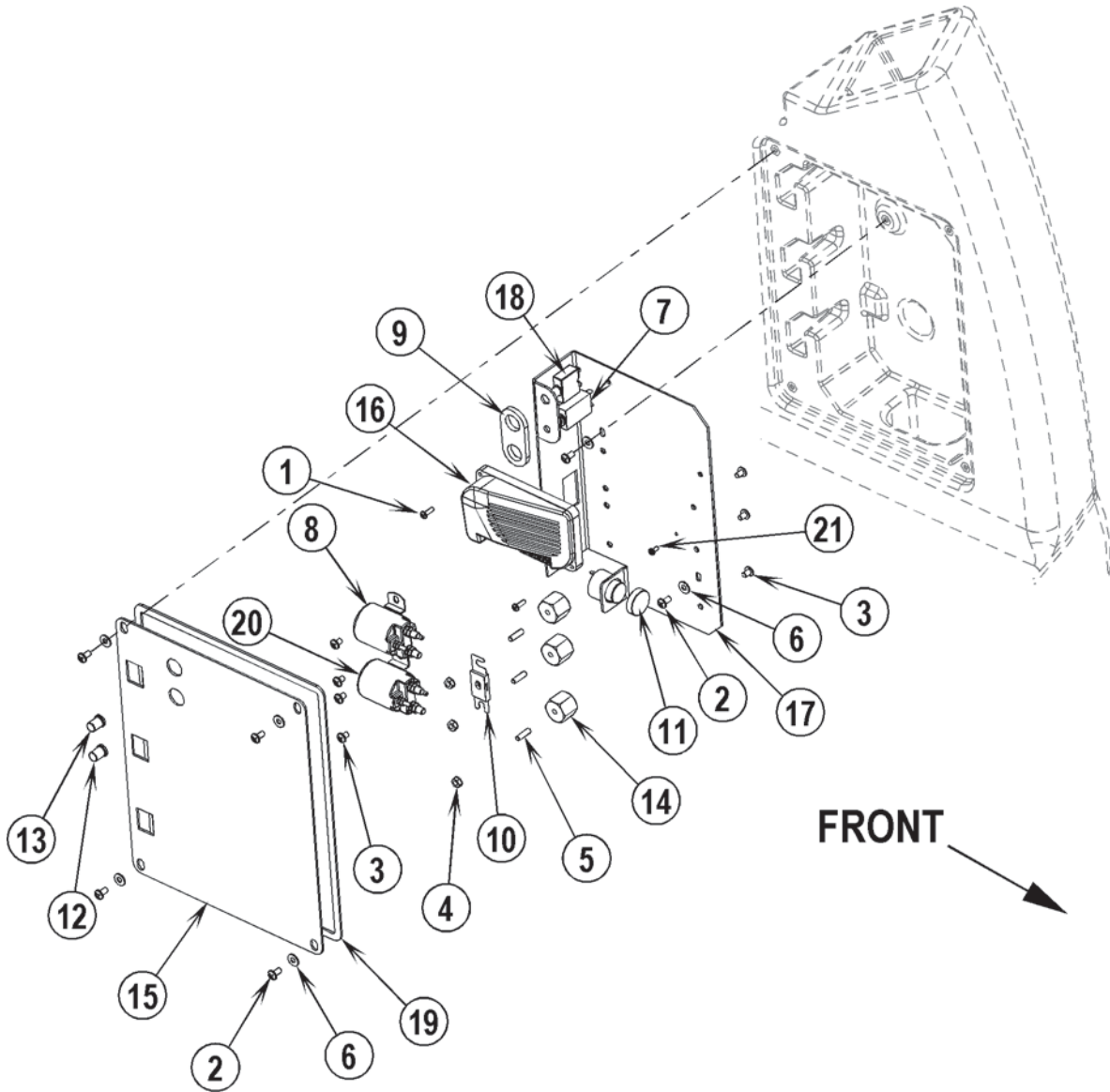
NOTE 2: Used on machines built before serial number chart.

NOTE 1 & 2 SERIAL NUMBER CHART

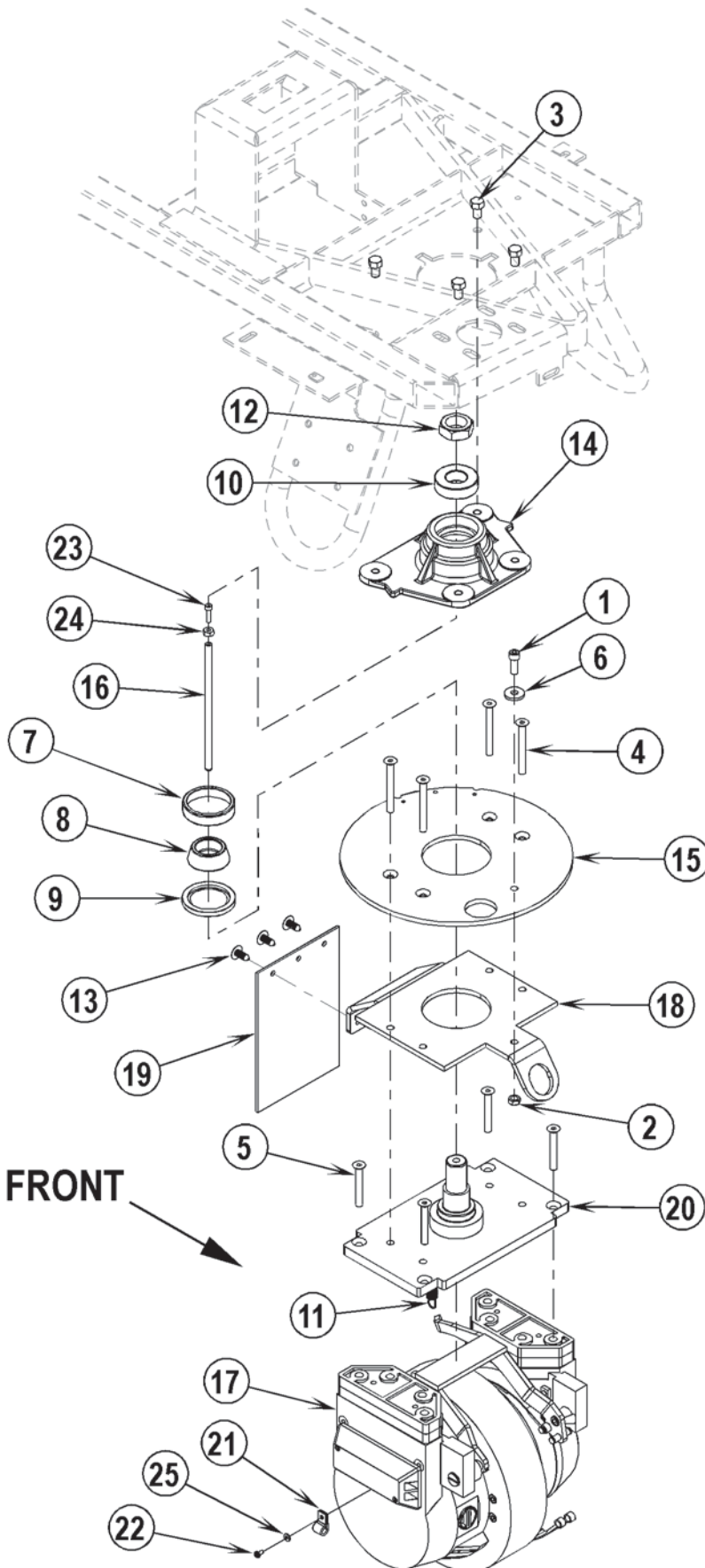
1750239 - Advenger™ 2400D
 1757986 - Advenger™ 2810D
 1757999 - Advenger™ 3210D
 1759162 - Advenger™ 2400C
 1750252 - Advenger™ 2600C
 1758000 - Advenger™ 2810C
 1758002 - Advenger™ 3210C
 1752024 - BR 600S
 1752041 - BR 700S
 1752046 - BR 800S
 1752052 - BR 600CS
 1752054 - BR 700CS
 1753522 - BR 800CS



Item	Ref. No.	Qty	Description
1	56002733	1	Scr, Pan Phil 10-24 x .88
2	56002768	1	Nut, Hex Nyl Loc 10-24
3	56003358	1	Scr, Hex M6-1.00 x 25mm
4	56003403	6	Nut, Hex Nyl Loc M6-1.00
5	56003428	4	Scr, Hex M6-1.00 x 75mm
6	56009030	2	Scr, Pan Phil Thd Form 10-24 x .38
7	56009060	3	Wsh, Flt SS .260 x 1.000 x .074
8	56324505	1	Bearing, Flange
9	56368989	1	Bushing
10	56409378	1	Spacer, Nylon
11	56409471	1	Lever, Throttle
12	56409610	1	Link Weldment
13	56412094	1	Housing, Potentiometer
14	56454740	1	Potentiometer, 5K (R1)
15	56314037	1	Spring, Torsion
16	56314038	1	Bracket, Foot Pedal
17	56314039	1	Foot Pedal
18	56314121	1	Bracket, Brake
19	56314122	1	Lock, Brake
20	56314138	1	Mat, Pedal
21	56314176	1	Mat, Pedal
22	56314463	1	Pedal Weldment
23	56412331	1	Wire Assy.
24	56756318	2	Bearing, Flange
25	56002098	6	Wsh, Flt SAE 1/4
26	56003119	7	Scr, Pan Phil SS 1/4-20 x .50
27	56314561	1	Bushing
28	56003174	1	Scr, Hex Thd to Hd M6-1.0 x 16mm



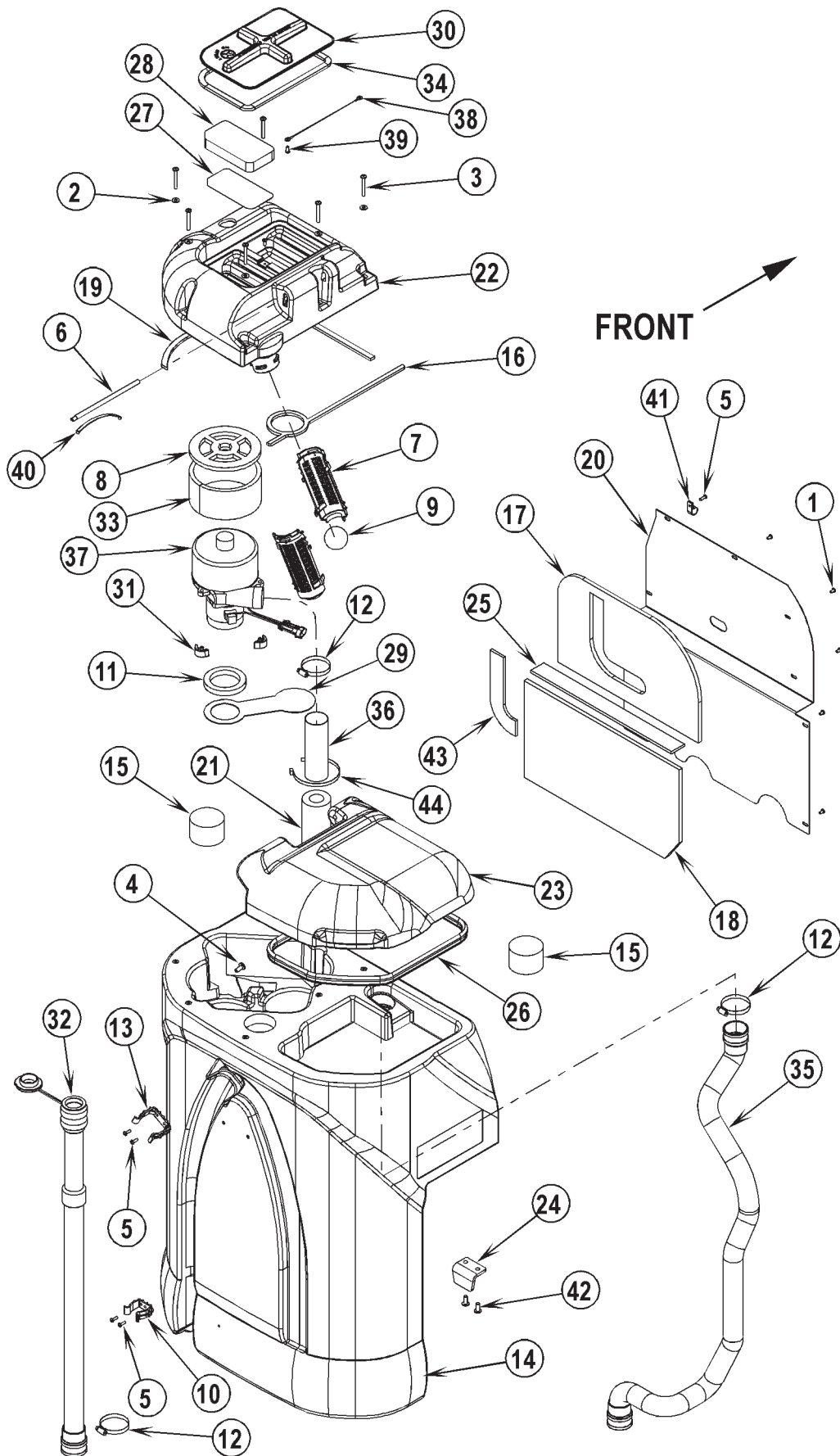
Item	Ref. No.	Qty	Description
1	56002192	2	Scr, Pan Phil 10-24 x .75
2	56003119	6	Scr, Pan Phil SS 1/4-20 x .50
3	56002462	7	Scr, Pan Phil 1/4-20 x .38
4	56002561	3	Nut, Hex W/SHPRF 1/4-20
5	56009020	3	Stud
6	56002098	6	Wsh, Flt SAE 1/4
7	56387316	1	Circuit Breaker, 10 Amp (Control Circuit / F3)
8	56395450	1	Contactactor (Brush Drive / K1)
9	56407193	1	Gasket
10	56412089	1	Fuse, 150 Amp (F1)
11	56412177	1	Horn / Backup Alarm (H1)
12	56459367	1	Boot, Reset Button
13	56459369	1	Boot, Reset Button
14	56469858	3	Standoff, Insulated
15	56314065	1	Cover, Electrical
16	56314067	1	Controller (A1)
17	56314068	1	Electrical Panel
18	56364294	1	Circuit Breaker, 45 Amp (Wheel Drive / F2)
19	56407169	1	Gasket
20	56395450	1	Contactactor (Vacuum System / K2)
21	56009051	1	Scr, Pan Phil Thd Form 8-32 x .38



Item	Ref. No.	Qty	Description
1	56002158	1	Scr, Soc Hd 5/16-18 x .88
2	56002826	1	Nut, Hex Nyl Loc-Thin 5/16-18
3	56003040	4	Scr, Hex Hd Loc 3/8-16 x .62
4	56003273	4	Scr, Soc Hd M8-1.25 x 70mm
5	56003274	4	Scr, Soc Hd M8-1.25 x 55mm
6	56009122	1	Wsh, Flt .344 x .938 x .125
7	56158143	1	Bearing Cup
8	56158151	1	Bearing Cone
9	56171081	1	Seal, Shaft
10	56378380	1	Bearing, Ball
11	56481699	1	Spring
12	56003220	1	Nut, Hex Nyl Loc-Thin 1-14 UNF
13	56003263	3	Rivet, Nylon Tree Push-In
14	56314032	1	Block, Bearing
15	56314116	1	Plate, Steering
16	56314157	1	Rod, Brake
17	56314268	1	Motor / Drive Wheel Assy (M3) TSBUS2004-869
*	56314282	1	Brake Lever Weldment
*	56314289	1	Brake Band
*	56412320	1	Carbon Brush Cover Kit (contains 4 seal rings & 4 brush covers)
*	56412321	1	Sealing Ring
*	56412322	1	Bearing, Ball, Gearbox Side
*	56412323	1	Bearing, Ball, Brush Side
*	56412325	1	Carbon Brush Kit
*	56314291	1	Brake Bar
*	56314370	4	Spacer Block
*	56314269	1	Drive Wheel – P7 Scrubber Compound
**	56412339	1	Drive Wheel – Polyurethane
18	56314278	1	Plate, Splash Guard
19	56314283	1	Splash Guard
20	56314085	1	Spindle Weldment
21	56305317	1	Clamp, P
22	56003653	1	Scr, Pan Phil M4 x 8
23	56003659	1	Scr, Button Soc SS 10-24 x .75
24	56009293	1	Nut, Hex Machine SS 10-24
25	56002006	1	Wsh, Flt SAE #6

* = Not Shown

** = Optional



Item	Ref. No.	Qty	Description
1	56002043	8	Scr, Pan Phil 10-24 x .38
2	56002098	7	Wsh, Flt SAE 1/4
3	56002108	6	Scr, Pan Phil 1/4-20 x 2.00
4	56002793	1	Scr, Pan Phil 5/16-18 x .75
5	56002896	5	Scr, Pan Phil SS 10-24 x .62
6	56314115	1	Pin, Cover Pivot
7	56324497	2	Cage, Float
8	56314704	1	Gasket
9	56391690	1	Ball, Float
10	56407361	1	Clamp, Plastic
11	56314760	1	Gasket, Vacuum Duct
12	56440213	3	Clamp, Hose SAE #32
13	56212236	1	Clamp, Plastic
14	56314036	1	Tank, Recovery
15	56314098	2	Foam Cylinder
16	56314099	1	Gasket
17	56314100	1	Muffler, Top Panel
18	56314101	1	Muffler, Bottom Panel
19	56314103	1	Gasket
20	56314749	1	Cover, Exhaust NOTE 1
21	56391807	1	Foam Acoustical NOTE 2
22	56314201	1	Cover, Vac Motor
23	56314203	1	Lid, Recovery
24	56314220	2	Tank Mount Bracket
25	56314706	1	Foam, Sound NOTE 2
26	56314371	1	Gasket
27	56314372	1	Screen, Filter
28	56314373	1	Filter
29	56314376	1	Plate, Separator
30	56314461	1	Lid, Vac Filter
31	56314484	3	Mount, Vibration
32	56314487	1	Drainhose
33	56314488	1	Muffler, Vac
34	56314491	1	Gasket
35	56314533	1	Vac Hose Assy
36	56458457	1	Hose, Vac 2.00 x 6.0 x 975018 NOTE 2
37	56397228	1	Motor, Vac 36VDC (M5)
*	56212223	1	Carbon Brush Set
38	56314400	1	Wire Rope, 9 Inch
39	56009191	2	Scr, Pan Phil Plastite 10-14 x .50
40	56314509	1	Spring
41	56385564	1	Clamp, P
42	56002507	4	Scr, Pan Phil 1/4-20 x .75
43	56314705	1	Foam, Sound NOTE 2
44	56477613	1	Tie, Cable NOTE 2
*	56314251	1	Harness Vac

* = Not Shown

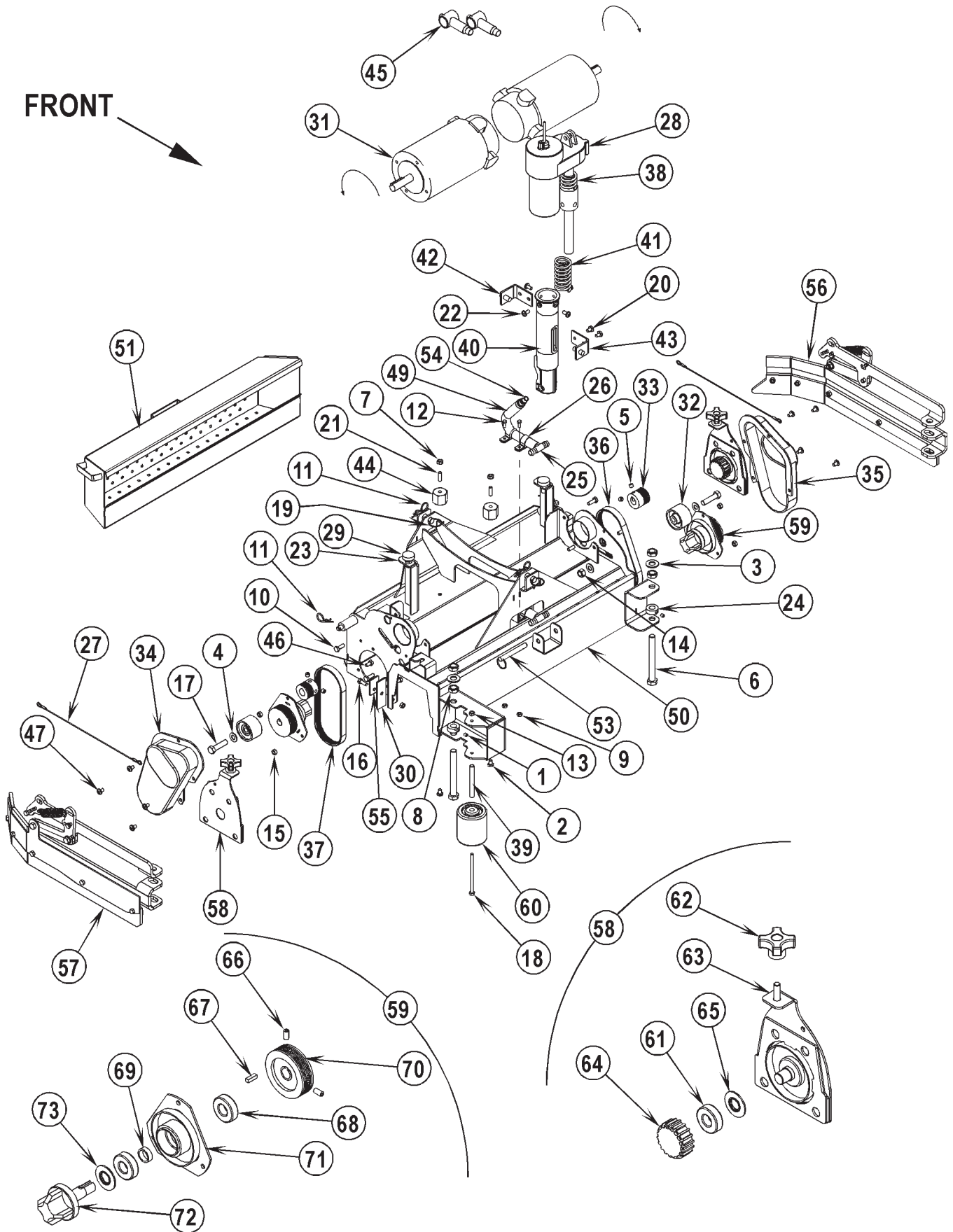
NOTE 1: 56314749 replaces previous parts 56314199 and 56314200 after serial number chart.

NOTE 2: Used on machines built after serial number chart.

NOTE 1 & 2 SERIAL NUMBER CHART

1750239 - Advenger™ 2400D
 1757986 - Advenger™ 2810D
 1757999 - Advenger™ 3210D
 1759162 - Advenger™ 2400C
 1750252 - Advenger™ 2600C
 1758000 - Advenger™ 2810C
 1758002 - Advenger™ 3210C
 1752024 - BR 600S
 1752041 - BR 700S
 1752046 - BR 800S
 1752052 - BR 600CS
 1752054 - BR 700CS
 1753522 - BR 800CS

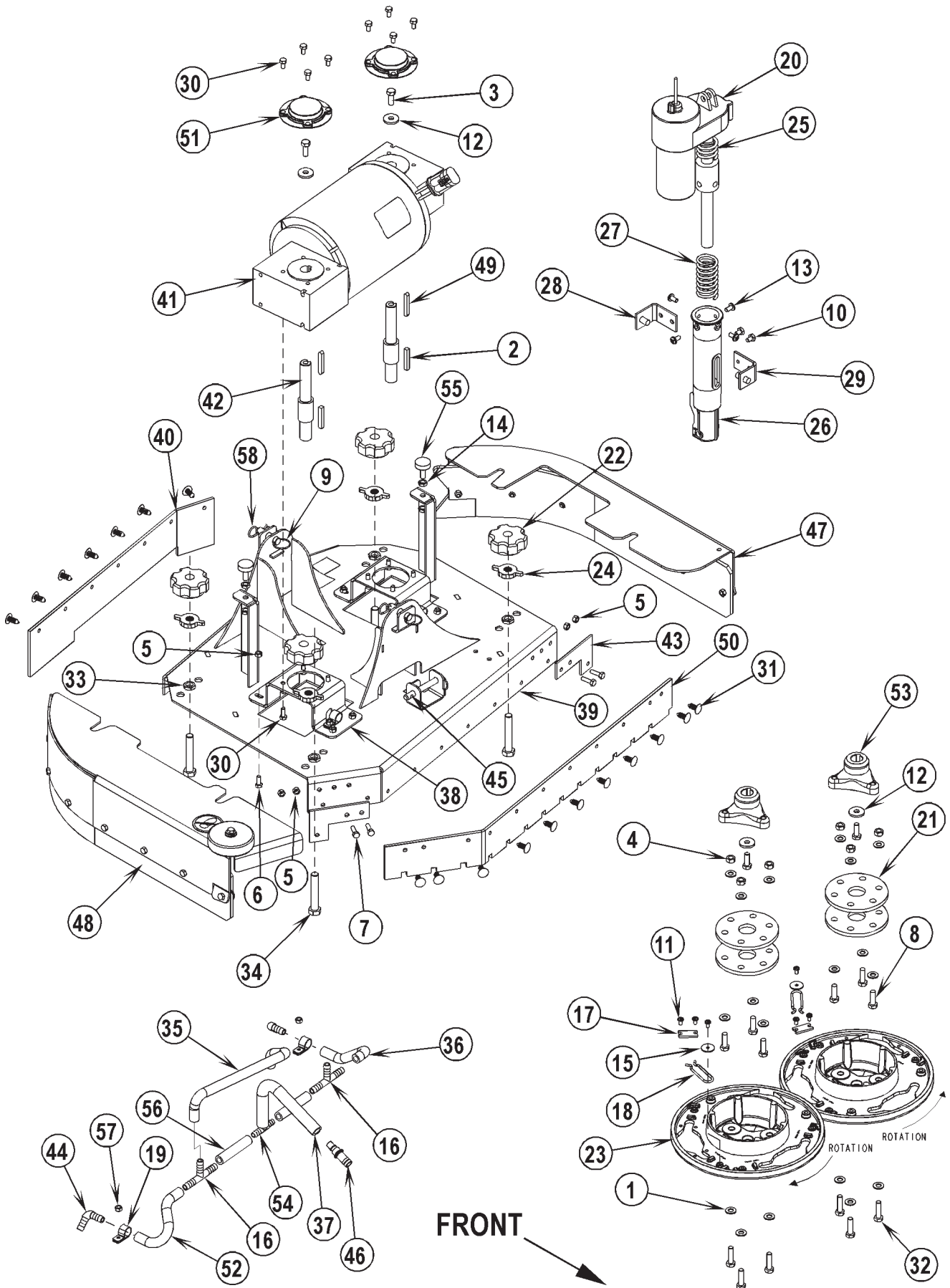
FRONT



Item	Ref. No.	Qty	Description	Item	Ref. No.	Qty	Description
1	56001841	2	Scr, Soc Set Loc 1/4-20 x .25	39	56412176	1	Bushing
2	56001861	2	Scr, Hex Hd 1/4-20 x .38	40	56412262	1	Housing, Spring
3	56001879	2	Wsh, Flt SAE 1/2	41	56420018	1	Compression Spring
4	56002063	4	Wsh, Flt SAE 3/8	42	56420019	1	Nut Retainer
5	56002086	4	Scr, Soc Set Loc 5/16-18 x .25	43	56420020	1	Nut Retainer
6	56002484	2	Scr, Hex Hd 1/2-13 x 4.50	44	56469858	2	Standoff, Insulated
7	56002561	2	Nut, Hex W/SHPRF 1/4-20	45	56493357	2	Insulator, Terminal
8	56002843	4	Nut, Hex Nyl Loc-Thin 1/2-13	46	56003211	6	Scr, Hex Hd SS M6-1.00 x 12mm
9	56002849	2	Nut, Hex Nyl Loc-Thin SS 10-24	47	56003603	8	Scr, Pan Phil Thd Form 1/4-20 x .38mm
10	56002948	6	Scr, Hex Hd Loc 1/4-20 x .75	48			Serial Plate
11	56002959	4	Pin, Cotter Hair	49	56409462	1	Tube, Solution, Main
12	56002987	2	Scr, Hex Hd SS 10-24 x .50	50	56314088	1	Housing Weld't, 24" TSBUS2003-854
13	56003403	1	Nut, Hex Nyl Loc M6-1.00		56314087	1	Housing Weld't, 26" TSBUS2003-854
14	56003406	2	Nut, Hex Nyl Loc M10-1.50		56314086	1	Housing Weld't, 28" TSBUS2003-854
15	56003426	8	Nut, Hex Nyl Loc SS M6-1.00		56314089	1	Housing Weld't, 32" TSBUS2003-854
16	56003431	2	Scr, Hex Hd SS M6-1.00 x 16mm	51	56314226	1	Hopper Weld't, 24"
17	56003491	2	Scr, Hex M10-1.50 x 40mm		56314232	1	Hopper Weld't, 26"
18	56003492	1	Scr, Hex M6-1.00 x 95mm		56397442	1	Hopper Weld't, 28"
19	56003671	2	Pin, Ring .50 x 1.25		56397443	1	Hopper Weld't, 32"
20	56009019	2	Scr, Hex Thd Form 1/4-20 x .38	52	56314254	1	Harness, Brush Motor (Not Shown)
21	56009020	2	Stud	53	56314294	1	Pin, Hitch Cotterless
22	56009062	4	Scr, Pan Phil Thd Form 1/4-20 x .50	54	56314310	1	Coupling, Quick Disconnect, Male
23	56009086	4	Nut, Hex Jam 5/16-18	55	56314436	2	Strap
24	56152811	2	Collar	56	56314443	1	Left Skirt Assy
25	56262549	1	Tee, Barb	57	56314444	1	Right Skirt Assy
26	56328064	2	Clamp, P	58	56314445	2	Idler End Assy (#61-65)
27	56330391	2	Wire Rope, 12"	59	56407559	2	Drive End Assy (#66-73)
28	56393303	1	Lift Actuator, Brush (M1)	60	56412459	1	Wheel
*	56470433	1	Carbon Brush Kit	61	56106070	1	Bearing, Ball
*	56393790	2	Limit Switch	62	56407303	1	Knob
*	56388520	1	Plastic Nut	63	56314442	1	Idler Bearing Plate Weld't.
29	56401783	2	Leveller	64	56407551	1	Hub
30	56407391	2	Blade	65	56407558	1	Washer, Bearing
31	56407431	2	Motor, 36VDC, .75HP (M7 / M8) TSBUS2004-868	66	56002119	2	Scr, Soc Set Loc 1/4-20 x .50
*	56417489	1	Armature	67	56003237	1	Key, Sq. .19 x .62
*	56407490	1	Bearing	68	56106070	2	Bearing, Ball
*	56407492	1	Brush Cap Assy	69	56407389	1	Spacer
*	56407493	4	Carbon Brush Assy	70	56407442	1	Sheave, Poly-V
*	56407494	4	Brush Cover Cap	71	56407556	1	Bearing Plate Weld't.
32	56407432	2	Idler, Belt	72	56407557	1	Spindle
33	56407433	2	Sheave, Poly-V	73	56407558	1	Washer, Bearing
34	56407434	1	Guard, Right Belt				
35	56407435	1	Guard, Left Belt				
36	56407465	1	Belt, Poly-V 180J6				
37	56407466	1	Belt, Poly-V 190J6				
38	56412071	1	Compression Spring				

* = Not Shown

NOTE: See "BRUSH SELECTOR GUIDE" at back of manual for available scrub brushes.



Item	Ref. No.	Qty	Description	Item	Ref. No.	Qty	Description
1	56002938	18	Wsh, Flt SAE SS 5/16	42	56314218	2	Shaft, Hub Mount
2	56003246	2	Key, Sq .25 x 1.62	43	56314261	2	Skirt Bracket, Forward (26" & 28" only)
3	56003335	4	Scr, Hex Loc SS 5/16-18 x .88	44	56314272	2	Barbed Elbow, 90
4	56003405	6	Nut, Hex Nyl Loc SS M8-1.25	45	56314294	1	Pin, Hitch Cotterless
5	56003426	12	Nut, Hex Nyl Loc SS M6-1.00 (qty 8 on 24" & 32")	46	56314310	1	Coupling, Quick Disconnect, Male
6	56003431	8	Scr, Hex Hd SS M6-1.00 x 16mm	47	56314349	1	Skirt Assy, Left (24", 26", 28" / before TSBUS2004-884)
7	56003443	4	Scr, Hex Hd SS M6-1.00 x 20mm		56314885	1	Skirt Assy, Left (24", 26", 28" / after TSBUS2004-884)
8	56003477	6	Scr, Hex Loc SS M8-1.25 x 25mm		56314347	1	Skirt Assy, Left (32" / before TSBUS2004-884)
9	56003671	2	Pin, Ring .50 x 1.25		56314894	1	Skirt Assy, Left (32" / after TSBUS2004-884)
10	56009019	2	Scr, Hex Thd Form 1/4-20 x .38	48	56314350	1	Skirt Assy, Right (All Models / before TSBUS2004-884)
11	56009030	6	Scr, Pan Phil Thd Form 10-24 x .38		56314884	1	Skirt Assy, Right (All Models / after TSBUS2004-884)
12	56009057	4	Wsh, Flt Harden .344 x 1.000 x .120/.135	49	56314359	2	Key, 6mm Sq.
13	56009062	4	Scr, Pan Phil Thd Form 1/4-20 x .50	50	56314362	1	Blade, Forward (24")
14	56009086	4	Nut, Hex Jam 5/16-18		56314363	1	Blade, Forward (26")
15	56009096	2	Wsh, Flt .193 x .875 x .060		56314146	1	Blade, Forward (28")
16	56249280	2	Tee, Barb		56314343	1	Blade, Forward (32")
17	56366455	2	Plate, Stop	51	56314499	2	Cover, Gearbox
18	56366463	2	Spring Retainer	52	56392277	1	Tube, Solution
19	56385564	2	Clamp, P	53	56314031	2	Hub, Drive
20	56393303	1	Lift Actuator, Brush (M1)	54	56397300	1	Tee, Barb
*	56470433	1	Carbon Brush Kit	55	56401783	2	Leg Leveler, 5/16-18
*	56393790	2	Limit Switch	56	56412187	2	Hose, Spiral .375
*	56388520	1	Plastic Nut	57	56002768	2	Nut, Hex Nyl Loc 10-24
21	56407053	4	Thermoid Disk	58	56002959	2	Pin, Cotter Hair
22	56407114	4	Knob				
23	56314030	2	Brush Holder				24" Disk Deck Blade Kits (before TSBUS2004-884)
24	56407334	4	Knob	**	56314124	1	Kit, Gum Rubber 24 Disk NOTE 2
25	56412071	1	Compression Spring	**	56314170	1	Kit, Neoprene 24 Disk NOTE 2
26	56412262	1	Housing, Spring	**	56314395	1	Kit, Linatex 24 Disk NOTE 2
27	56420018	1	Compression Spring				26" Disk Deck Blade Kits (before TSBUS2004-884)
28	56420019	1	Nut Retainer	**	56314125	1	Kit, Gum Rubber 26 Disk NOTE 2
29	56420020	1	Nut Retainer	**	56314171	1	Kit, Neoprene 26 Disk NOTE 2
30	56003211	16	Scr, Hex Hd SS M6-1.00 x 12mm	**	56314396	1	Kit, Linatex 26 Disk NOTE 2
31	56003263	18	Rivet, Nylon Tree Push-In				28" Disk Deck Blade Kits (before TSBUS2004-884)
32	56003639	6	Scr, Hex Hd SS M8-1.25 x 30mm	**	56314126	1	Kit, Gum Rubber 28 Disk NOTE 2
33	56003657	4	Nut, Hex Jam M12-1.75	**	56314172	1	Kit, Neoprene 28 Disk NOTE 2
34	56003658	4	Scr, Hex Thd To Hd SS M12-1.75 x 70mm	**	56314397	1	Kit, Linatex 28 Disk NOTE 2
35	56412189	1	Hose, Spiral .375				32" Disk Deck Blade Kits (before TSBUS2004-884)
36	56249682	1	Tube, Solution	**	56314127	1	Kit, Gum Rubber 32 Disk NOTE 2
37	56262180	1	Tube, Spiral .375	**	56314173	1	Kit, Neoprene 32 Disk NOTE 2
38	56314053	2	Bracket, Motor	**	56314398	1	Kit, Linatex 32 Disk NOTE 2
39	56314081	1	Weld't, Disk Deck (24", 26", 28")				
	56314090	1	Weld't, Disk Deck (32")				24" Disk Deck Blade Kits (after TSBUS2004-884)
40	56314137	1	Blade, Rear (24", 26", 28")	**	56314911	1	Kit, Gum Rubber 24 Disk NOTE 2
	56314342	1	Blade, Rear (32")	**	56314915	1	Kit, Linatex 24 Disk NOTE 2
41	56314139	1	Motor Gearbox Assy (24" / M7)				26" Disk Deck Blade Kits (after TSBUS2004-884)
	56314140	1	Motor Gearbox Assy (26" / M7)	**	56314912	1	Kit, Gum Rubber 26 Disk NOTE 2
	56314141	1	Motor Gearbox Assy (28" / M7)	**	56314916	1	Kit, Linatex 26 Disk NOTE 2
	56314335	1	Motor Gearbox Assy (32" / M7)				28" Disk Deck Blade Kits (after TSBUS2004-884)
*	56314359	2	Key, 6mm Square	**	56314913	1	Kit, Gum Rubber 28 Disk NOTE 2
*	56314499	2	Cover, Gearbox	**	56314917	1	Kit, Linatex 28 Disk NOTE 2
*	56314560	2	Gearbox				32" Disk Deck Blade Kits (after TSBUS2004-884)
*	56314580	1	Bearing (Fan End)	**	56314914	1	Kit, Gum Rubber 32 Disk NOTE 2
*	56314581	1	Bearing (Brush End)	**	56314918	1	Kit, Linatex 32 Disk NOTE 2
*	56314582	1	Brush Ring				
*	56314583	4	Carbon Brush				* = Not Shown
*	56314584	1	Safety Hook				** = Optional

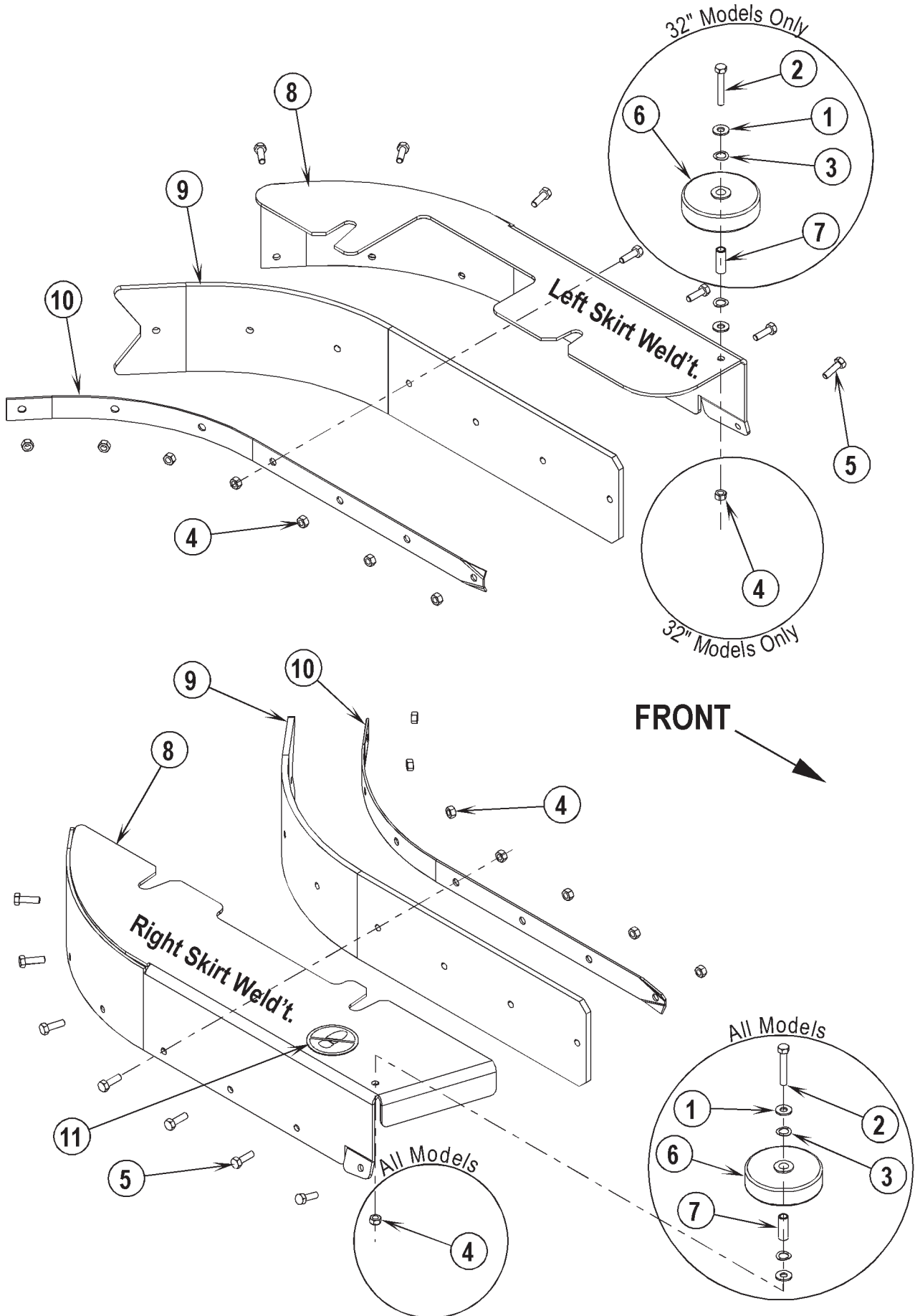
NOTE: See "BRUSH SELECTOR GUIDE" at back of manual for available scrub brushes.

NOTE 2: Disk Deck Blade Kits include the required mounting fasteners (Rivet, Nylon Tree Push-In 56003263) and both deck and skirt assembly blades.

Item	Ref. No.	Qty	Description
	56314443	1	Left Skirt Assembly
	56314444	1	Right Skirt Assembly
1	56001939	2	Wsh, Fit SAE 5/16
2	56003178	1	Scr, Hex M8-1.25 x 16mm
3	56003179	1	Scr, Hex Thd To Hd M8-1.25 x 20mm
4	56003389	1	Nut, Hex Nyl Loc M8-1.25
5	56003426	5	Nut, Hex Nyl Loc SS M6-1.00
6	56003431	6	Scr, Hex Hd SS M6-1.00 x 16mm
7	56003441	1	Scr, Hex Nyl Loc M6-1.00 x 15mm
8	56185263	2	Bearing, Sleeve
9	56320595	2	Bushing, .32 x .50 x .28
10	56407447	1	Skirt, Gum Rubber
**	56407392	1	Skirt, Neoprene
**	56410335	1	Skirt
11	56470672	1	Spring, Extension
12	56314435	1	Arm, Mount
13	56314437	1	Retainer, Skirt
14	56314439	1	Skirt Bracket Weld't, Left
	56314438	1	Skirt Bracket Weld't, Right
15	56314440	1	Bracket, Mount, Left
	56314441	1	Bracket, Mount, Right

** = Optional

NOTE: All quantities are for one skirt assembly only, there are two skirt assemblies on the machine.



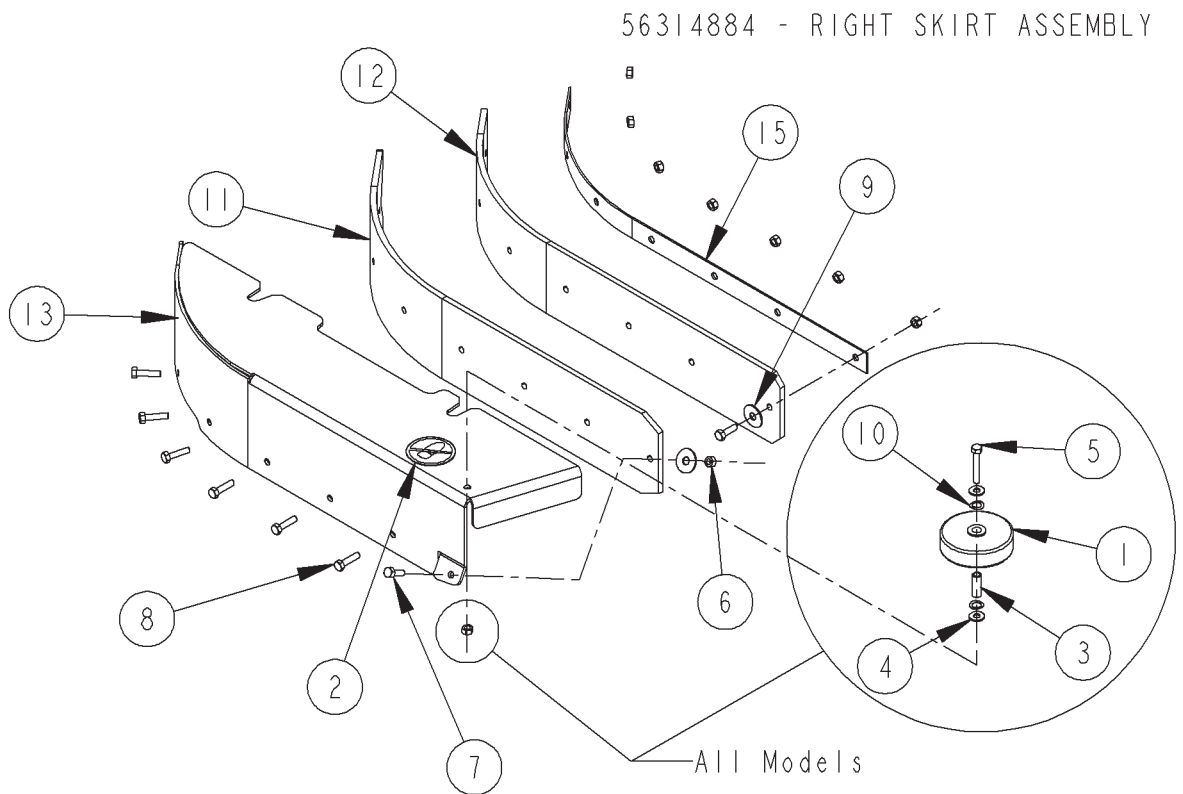
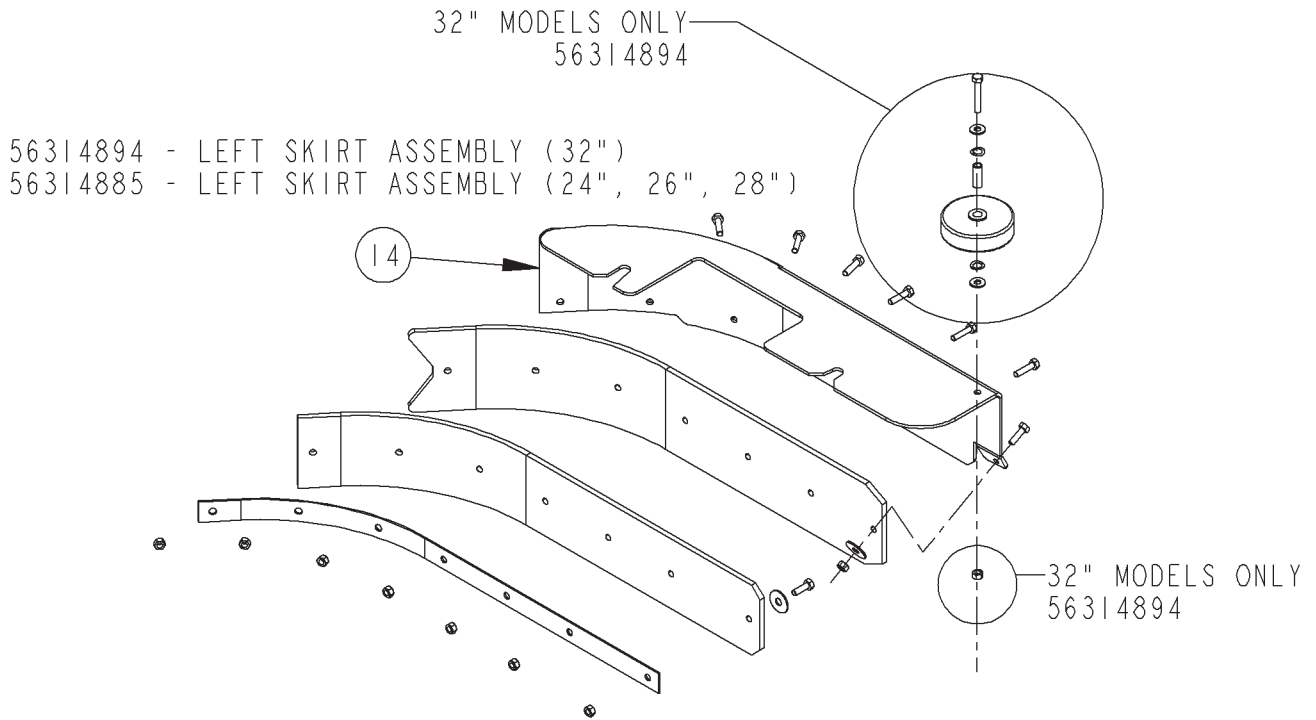
Item	Ref. No.	Qty	Description
	56314347	1	Left Skirt Assembly (32")
	56314349	1	Left Skirt Assembly (24", 26", 28")
	56314350	1	Right Skirt Assembly (All Models)
1	56002098	2	Wsh, Flt SAE 1/4 NOTE 1
2	56003167	1	Scr, Hex M6-1.00 x 40mm NOTE 1
3	56009045	2	Wsh, Bowed .375 x .578 x .060 NOTE 1
4	56003426	8	Nut, Hex Nyl Loc SS M6-1.00
5	56003454	7	Scr, Hex Thd to Hd SS M6-1.00 x 20mm
6	56324499	1	Wheel, 3.00 NOTE 1
7	56471220	1	Bushing NOTE 1
8	56314058	1	Frame, Skirt LH
	56314059	1	Frame, Skirt RH
9	56314340	1	Blade, Gum Rubber
10	56314341	1	Retainer, Blade
11	56016163	1	Decal, No Step (Right Skirt Assembly only)
			24" Disk Deck Blade Kits
**	56314124	1	Kit, Gum Rubber 24 Disk NOTE 3
**	56314170	1	Kit, Neoprene 24 Disk NOTE 3
**	56314395	1	Kit, Linatex 24 Disk NOTE 3
			26" Disk Deck Blade Kits
**	56314125	1	Kit, Gum Rubber 26 Disk NOTE 3
**	56314171	1	Kit, Neoprene 26 Disk NOTE 3
**	56314396	1	Kit, Linatex 26 Disk NOTE 3
			28" Disk Deck Blade Kits
**	56314126	1	Kit, Gum Rubber 28 Disk NOTE 3
**	56314172	1	Kit, Neoprene 28 Disk NOTE 3
**	56314397	1	Kit, Linatex 28 Disk NOTE 3
			32" Disk Deck Blade Kits
**	56314127	1	Kit, Gum Rubber 32 Disk NOTE 3
**	56314173	1	Kit, Neoprene 32 Disk NOTE 3
**	56314398	1	Kit, Linatex 32 Disk NOTE 3

** = Optional

NOTE 1: These items are on the Right Skirt Assembly PN 56314350 on all models, but only on the 32" Left Skirt Assembly PN56314347.

NOTE 2: All quantities are for one skirt assembly only, there are two skirt assemblies on the machine.

NOTE 3: Disk Deck Blade Kits include the required mounting fasteners (Rivet, Nylon Tree Push-In 56003263) and both deck and skirt assembly blades.



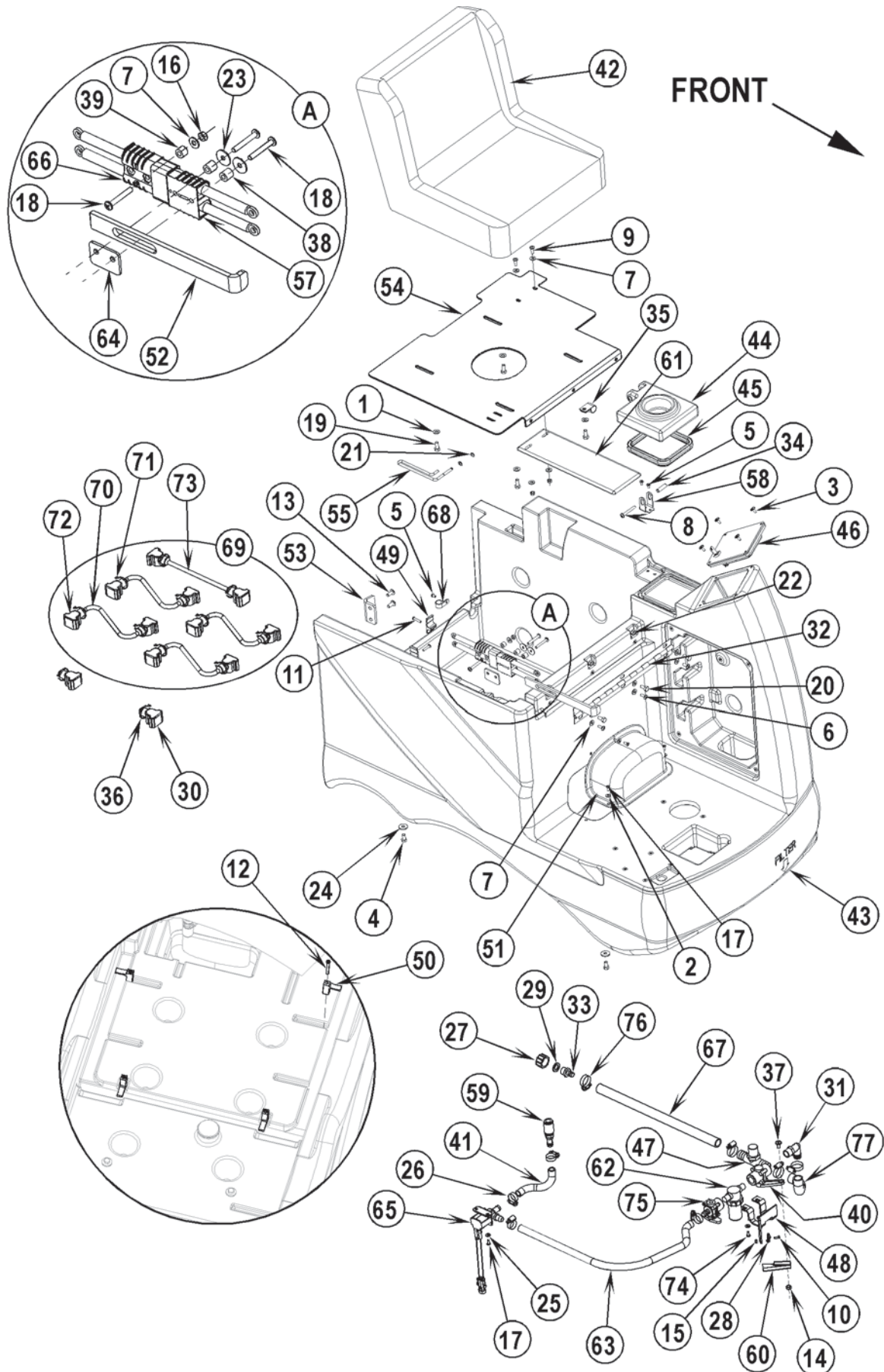
Item	Ref. No.	Qty	Description
	56314894	1	Left Skirt Assembly (32")
	56314885	1	Left Skirt Assembly (24", 26", 28")
	56314884	1	Right Skirt Assembly (All Models)
1	56324499	1	Wheel 3.00 NOTE 1
2	56016163	1	Decal, No Step (Right Skirt Assembly Only)
3	56471220	1	Bushing NOTE 1
4	56002098	2	Wsh, Flt Sae 1/4 NOTE 1
5	56003167	1	Scr,Hex M6-1.0x40mm NOTE 1
6	56003426	9	Nut, Hex Nyl Loc Ss M6x1.0 (qty of 8 on 56314885)
7	56003454	2	Scr Hex Thd To Hd Ss M6-1.0 X 20mm
8	56003695	6	Scr Hex Thd To Hd Ss M6-1.0 X 25mm
9	56003696	2	Wsh, Flt Ss .33 X 1.00 X.060
10	56009045	2	Wsh, Bowed .375x.578x.060 NOTE 1
11	56314340	1	Blade, Gum Rubber
**	56314547	1	Blade, Linatex
12	56314883	1	Blade, Gum Rubber Inside
**	56314895	1	Blade, Linatex Inside
13	56314886	1	Frame, Skirt Rh
14	56314887	1	Frame, Skirt Lh
15	56314891	1	Retainer, Blade
			24" Disk Deck Blade Kits
**	56314911	1	Kit, Gum Rubber 24 Disk NOTE 3
**	56314915	1	Kit, Linatex 24 Disk NOTE 3
			26" Disk Deck Blade Kits
**	56314912	1	Kit, Gum Rubber 26 Disk NOTE 3
**	56314916	1	Kit, Linatex 26 Disk NOTE 3
			28" Disk Deck Blade Kits
**	56314913	1	Kit, Gum Rubber 28 Disk NOTE 3
**	56314917	1	Kit, Linatex 28 Disk NOTE 3
			32" Disk Deck Blade Kits
**	56314914	1	Kit, Gum Rubber 32 Disk NOTE 3
**	56314918	1	Kit, Linatex 32 Disk NOTE 3

** = Optional

NOTE 1: These items are on the Right Skirt Assembly PN 56314884 on all models, but only on the 32" Left Skirt Assembly PN56314894.

NOTE 2: All quantities are for one skirt assembly only, there are two skirt assemblies on the machine.

NOTE 3: Disk Deck Blade Kits include the required mounting fasteners (Rivet, Nylon Tree Push-In 56003263) and both deck and skirt assembly blades.



Item	Ref. No.	Qty	Description	Item	Ref. No.	Qty	Description
1	56001939	4	Wsh, Fit SAE 5/16	43	56314049	1	Solution Tank
2	56001954	3	Wsh, Fit SAE #10	44	56314066	1	Cover, Solution Tank, Assy
3	56009206	4	Scr, Truss Phil-Blk 10-24 x .50	45	56314069	1	Gasket
4	56002035	4	Scr, Hex Hd 5/16-18 x .62	46	56314072	1	Control Panel Assembly
5	56002043	3	Scr, Pan Phil 10-24 x .38	*	56396188	1	Switch, Key
6	56002066	3	Scr, Pan Phil 1/4-20 x .62	*	56396189	1	Key, Spare
7	56002098	11	Wsh, Fit SAE 1/4	47	56314153	1	Tee NOTE 3
8	56002108	1	Scr, Pan Phil 1/4-20 x 2.00		56314758	1	Tee, Barb NOTE 4
9	56002507	2	Scr, Pan Phil 1/4-20 x .75	48	56314759	1	Bracket, Valve (Before TSBUS2004-874)
10	56002589	1	Scr, Hex Hd 6-32 x .50		56314882	1	Bracket, Valve (After TSBUS2004-874)
11	56002674	5	Scr, Pan Phil 10-24 x 1.00	49	56314155	5	Clamp, Cable
12	56002171	4	Scr, Pan Phil 10-24 x 2.00	50	56314608	4	Clamp, Cable
13	56002793	2	Scr, Pan Phil 5/16-18 x .75	51	56314213	1	Cover, Actuator
14	56002826	1	Nut, Hex Nyl Loc-Thin 5/16-18	52	56314292	1	Bar, Disconnect
15	56002830	1	Nut, Hex Nyl Loc 6-32	53	56314220	1	Tank Mount Bracket
16	56002840	3	Nut, Hex Nyl Loc-Thin 1/4-20	54	56314221	1	Weld't, Seat Mount NOTE 2
17	56002900	5	Scr, Pan Phil SS 10-24 x .50	55	56314223	1	Prop Rod
18	56002997	3	Scr, Pan Phil 1/4-20 x 1.75	56	56314250	1	Harness, Main (Not Shown) TSBUS2004-869
19	56003179	4	Scr, Hex Thd to Hd M8-1.25 x 20mm	57	56314253	1	Charge Connector Assy
20	56003178	3	Scr, Hex M8-1.25 x 16mm	58	56314264	1	Hinge Bracket
21	56003268	3	Ring, Ret Ext Type E Reinf. .25 Dia.	59	56314311	1	Coupling, Quick Disconnect Female
22	56003389	3	Nut, Hex Nyl Loc M8-1.25	60	56314401	1	Bracket, Water Valve (Before TSBUS2004-874)
23	56009002	2	Wsh, Fit .266 x .906 x .060		56314881	1	Bracket, Water Valve (After TSBUS2004-874)
24	56009122	4	Wsh, Fit .344 x .938 x .125	61	56314532	1	Panel, Battery Box
25	56009205	4	Wsh, Fit SS #10	62	56314538	1	Strainer NOTE 3
26	56219932	4	Clamp, Hose SAE #6		56314756	1	Strainer NOTE 4
27	56255076	1	Cap, Pipe GHT Nylon	63	56386182	1	Hose, Spiral .50ID x 26.00
28	56344265	1	Clamp, Cable	64	56397189	1	Spacer
29	56368776	1	Washer, Rubber	65	56397215	1	Solenoid Valve Assy, 36V (L1)
30	56372673	2	Boot, Battery Post	66	56397508	1	Charge Connector Assy
31	56409152	1	Barb, 90 Elbow, 1/2 x 1/2NPT NOTE 3	67	56264318	1	Hose, Spiral .500 NOTE 3
	56314757	1	Barb, 90 Elbow 3/4 x 1/2NPT NOTE 4		56263218	1	Hose, .75 Clear PVC NOTE 4
32	56412196	1	Hinge	68	56442003	1	Clamp, P
33	56412273	1	Barb, Adapter, 1/2 x 3/4GHT NOTE 3	69	56314339	1	Kit, Battery Connector (includes items 70-73)
	56900273	1	Barb NOTE 4				(Advance Models only) NOTE 1
34	56468553	1	Bushing, .27 x .37 x 1.30	70	56456460	4	Cable, Battery
35	56469380	1	Clamp, P	71	56478246	10	Tie, Cable
36	56478246	2	Tie, Cable	72	56372673	10	Boot, Battery Post
37	56003003	1	Scr, Pan Phil 5/16-18 x .62	73	56441600	1	Cable, Battery
38	56046309	2	Spacer, Phenolic	74	56001993	2	Scr, Pan Phil 10-24 x .50 NOTE 4
39	56050872	1	Spacer, Phenolic	75	56314755	1	Valve, Solution NOTE 4
40	56314899	1	Valve, Ball	76	56112771	4	Clamp, Hose SAE #10 NOTE 4
41	56262180	1	Hose, Spiral .50ID x 7.00		56219932	4	Clamp, Hose SAE #6 NOTE 3
42	56314035	1	Seat	77	56410162	1	Hose, Spiral .75 ID x 7.00 NOTE 4
*	56409613	1	Switch, Seat (S2)		56262180	1	Hose, Spiral .50 ID x 7.00 NOTE 3
				*	56314119	1	Battery Spacer (Advance Models only)

* = Not Shown

NOTE 1: For Advance models "Battery Connector Kit" (56314339) is included with machine. For Nilfisk models battery cables are not included (after SN 1688856), but "Battery Connector Kit" (56314326) can be ordered separately if battery connectors are desired.

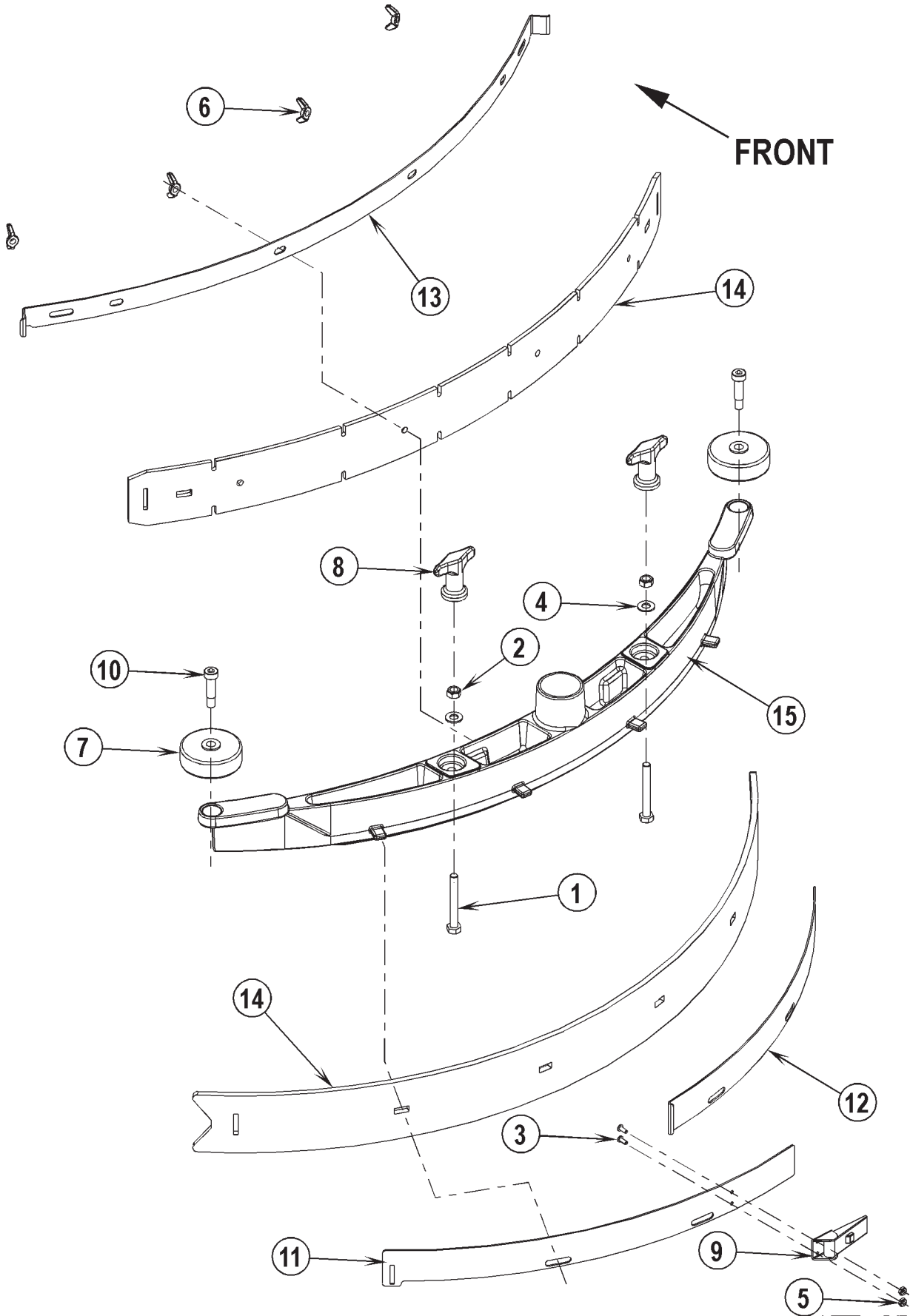
NOTE 2: Seat Weldment 56314221 was modified as of serial #1726172 to accommodate Onboard Charger Kit 56314753.

NOTE 3: Used on machines built before serial number chart.

NOTE 4: Used on machines built after serial number chart.

NOTE 3 & 4 SERIAL NUMBER CHART

1750239 - Advenger™ 2400D
 1757986 - Advenger™ 2810D
 1757999 - Advenger™ 3210D
 1759162 - Advenger™ 2400C
 1750252 - Advenger™ 2600C
 1758000 - Advenger™ 2810C
 1758002 - Advenger™ 3210C
 1752024 - BR 600S
 1752041 - BR 700S
 1752046 - BR 800S
 1752052 - BR 600SC
 1752054 - BR 700SC
 1753522 - BR 800SC

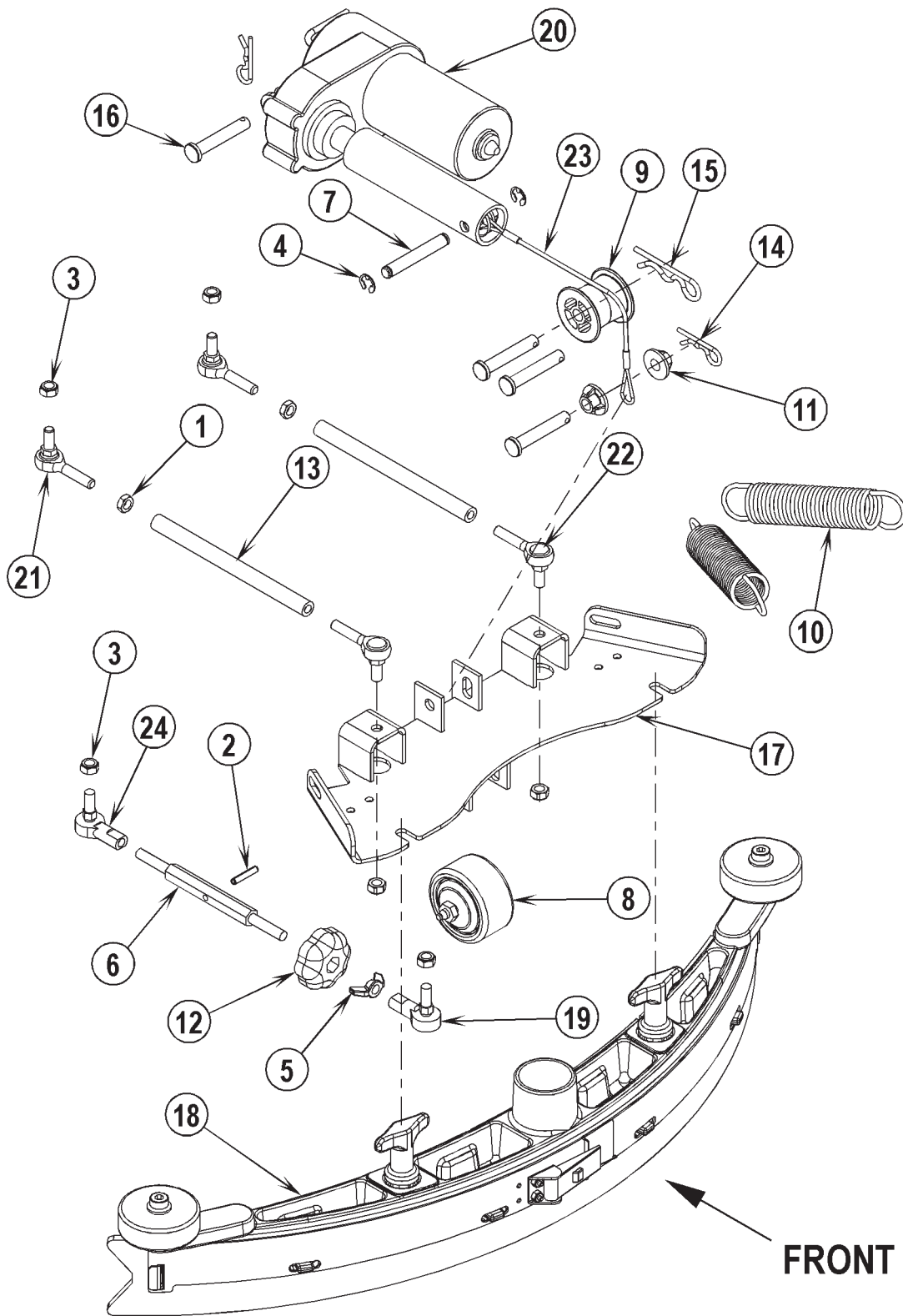


03-1	SQUEEGEE ASSEMBLY	BOOK E		
04-5	Advenger™ / BR 600S, 650S, 700S, 800S	E	13.3.1	27

Item	Ref. No.	Qty	Description
	56314327	1	Squeegee Assy (24")
	56314020	1	Squeegee Assy (26" & 28")
	56314358	1	Squeegee Assy (32")
1	56003666	2	Scr, Hex Hd SS 5/16-18 x 2.75
2	56002851	2	Nut, Hex Nyl Loc-Thin SS 5/16-18
3	56002909	2	Scr, Pan Phil SS 6-32 x .38
4	56002938	2	Wsh, Fit SAE SS 5/16
5	56002907	2	Nut, Hex Nyl Loc SS 6-32
6	56009111	4	Nut, Wing SS 1/4-20
7	56324350	2	Wheel
8	56370711	2	Nut, Thumb
9	56471194	1	Latch Assy
10	56003472	2	Scr, Soc Shd .38 x 1.00 x 5/16-18
11	56314317	1	Strap, Left Rear (24")
	56314026	1	Strap, Left Rear (26" & 28")
	56314323	1	Strap, Left Rear (32")
12	56314318	1	Strap, Right Rear (24")
	56314027	1	Strap, Right Rear (26" & 28")
	56314324	1	Strap, Right Rear (32")
13	56314316	1	Strap, Front (24")
	56314028	1	Strap, Front (26" & 28")
	56314322	1	Strap, Front (32")
14	56314054	1	Kit, Standard Squeegee Blade (24") NOTE #1
	56314303	1	Kit, Standard Squeegee Blade (26" & 28") NOTE #1
	56314060	1	Kit, Standard Squeegee Blade (32") NOTE #1
15	56314319	1	Squeegee Tool, Cast (24")
	56314271	1	Squeegee Tool, Cast (26" & 28")
	56314325	1	Squeegee Tool, Cast (32")
24" Squeegee Blade Kits			
**	56314055	1	Kit, Linatex Squeegee Blade NOTE #1
**	56314056	1	Kit, Neoprene Squeegee Blade NOTE #1
26" & 28" Squeegee Blade Kits			
**	56314304	1	Kit, Linatex Squeegee Blade NOTE #1
**	56314305	1	Kit, Neoprene Squeegee Blade NOTE #1
32" Squeegee Blade Kits			
**	56314061	1	Kit, Linatex Squeegee Blade NOTE #1
**	56314062	1	Kit, Neoprene Squeegee Blade NOTE #1

** = Optional, Not Included

NOTE #1: All squeegee blade kits include both front and rear squeegee blades.



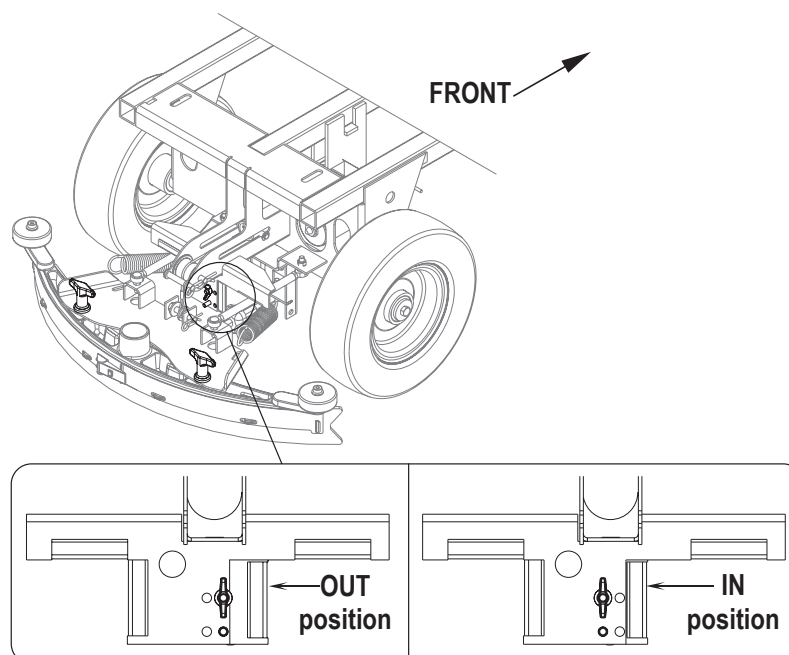
Item	Ref. No.	Qty	Description
1	56001884	2	Nut, Hex Jam 5/16-24
2	56002082	1	Pin, SPR .19 x 1.00
3	56002866	6	Nut, Hex Nyl Loc-Thin 5/16-24
4	56003262	2	Ring, Ret Ext Type E .38 Dia.
5	56003497	1	Nut, Wing SS 5/16-24
6	56412067	1	Connecting Rod
7	56412088	1	Pin
8	56412124	1	Wheel
9	56412208	1	Roller
10	56412216	2	Spring, Extension
11	56412248	4	Spacer, Squeegee Cable
12	56412284	1	Knob, Squeegee Adjust
13	56412314	2	Connecting Rod
14	56003222	2	Pin, Cotter Hair
15	56003223	1	Pin, Cot Hair .148 x Dia .62/1.00
16	56003656	4	Clevis Pin .375 x 2.25
17	56314023	1	Squeegee Mount Weld't.
18	56314327	1	Squeegee Assy (24") (2400) NOTE 1
	56314020	1	Squeegee Assy (26" & 28") (2600, 2810) (BR 600S, 650S, 600CS, 650CS) NOTE 1
	56314358	1	Squeegee Assy (32") (3210) (BR 700S, 800S, 700CS, 800CS) NOTE 1
19	56395755	1	Rod End
20	56397230	1	Lift Actuator, Squeegee (M2) NOTE 2 TSBUS2004-864
21	56412312	2	Rod End, 5/16
22	56412313	2	Rod End, 5/16
23	56412340	1	Cable Assembly
24	56477756	1	Rod End

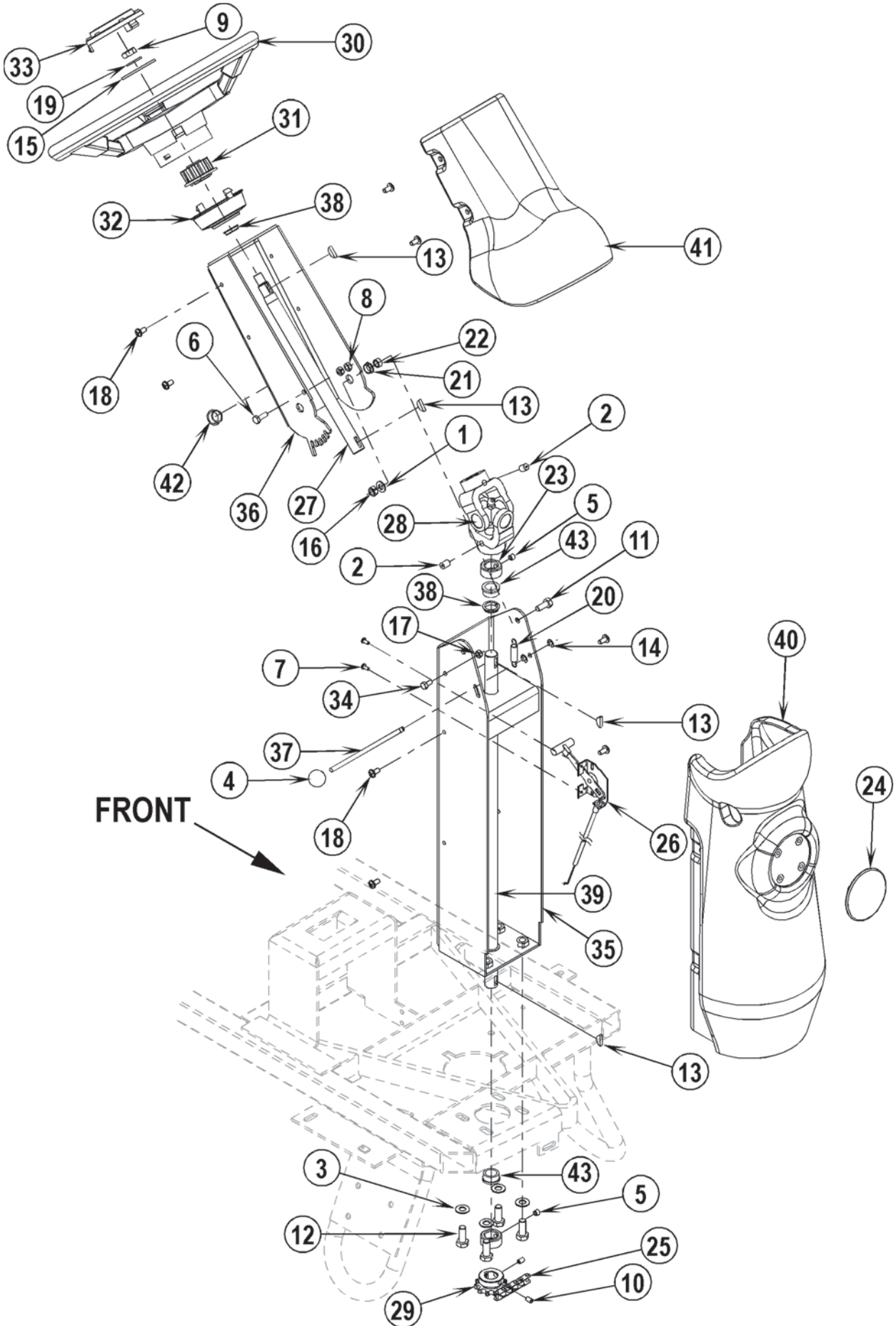
* = Not Shown

NOTE 1: BR 600S & BR 600CS models before SN 1819567 used Squeegee Assy 56314327, after SN use Squeegee Assy 56314020. If replacing squeegee 56314327 with 56314020 on either one of these two models (SN before 1819567) the Squeegee Stop Bracket needs to be set at the "IN" position. See TSBUS2005-891.

BR 700S & BR 700CS models before SN1819567 used Squeegee Assy 56314020, after SN use Squeegee Assy 56314358. If replacing squeegee 56314020 with 56314358 on either one of these two models (SN before 1819567) the Squeegee Stop Bracket needs to be set at the "IN" position. See TSBUS2005-891.

NOTE 2: From August of 2003 through March 1, 2004 Squeegee Lift Actuator 56314118 was used. All machines built prior to August 2003 and shipped after March 1, 2004 use Actuator 56397230. If you have a machine built between these two dates and are experiencing control panel circuit board or squeegee lift actuator problems you should order **Control & Actuator Update Kit, part number 56314710**.





Item	Ref. No.	Qty	Description
1	56001939	2	Wsh, Flt SAE 5/16
2	56001958	2	Scr, Soc Set Loc 3/8-16 x .50
3	56002063	4	Wsh, Flt SAE 3/8
4	56440817	1	Knob
5	56002086	2	Scr, Soc Set Loc 5/16-18 x .25
6	56002155	1	Scr, Hex Hd 1/4-20 x .75
7	56002523	2	Scr, Pan Phil Thd Form 8-32 x .38
8	56002840	2	Nut, Hex Nyl Loc-Thin 1/4-20
9	56002843	1	Nut, Hex Nyl Loc-Thin 1/2-13
10	56002930	2	Scr, Soc Set Loc 1/4-20 x .38
11	56003179	2	Scr, Hex Thd To Hd M8-1.25 x 20mm
12	56003186	4	Scr, Hex Thd To Hd M10-1.50 x 25mm
13	56003228	4	Key, WDF .75 x .19
14	56003268	2	Ring, Ret Ext Type E Reinf .25 Dia
15	56003342	1	Wsh, Flt .88 x .25 x .13
16	56003389	2	Nut, Hex Nyl Loc M8-1.25
17	56003403	1	Nut, Hex Nyl Loc M6-1.00
18	56009062	8	Scr, Pan Phil Thd Form 1/4-20 x .50
19	56001879	1	Wsh, Flt SAE 1/2
20	56245008	1	Spring, Extension
21	56302164	2	Bearing, Flange
22	56320595	2	Bushing .32 x .50 x .28
23	56367095	2	Collar, Shaft
24	56412095	1	Plaque, Decal Logo
25	56412198	1	Chain, Roller
26	56412281	1	Solution Control Cable
27	56420059	1	Shaft, Upper Steering
28	56454081	1	Universal Joint
29	56471148	1	Sprocket
30	56497306	1	Steering Wheel
31	56497560	1	Wheel Adapter
32	56497308	1	Cup
33	56497543	1	Cap
34	56003155	1	Scr, Hex M6-1.00 x 12mm
35	56314048	1	Lower Column Weldment NOTE 1 TSBUS2005-887
	56314877	1	Lower Column Weldment NOTE 2 TSBUS2005-887
36	56314093	1	Column, Steering
37	56314094	1	Rod, Steering lock
38	56314148	3	Bearing, Nyliner (qty of 1 after serial number chart) TSBUS2005-887
39	56314195	1	Shaft, Lower Steering
40	56314295	1	Shroud, Lower Column
41	56314296	1	Shroud, Upper Column
42	56900041	1	Plug, Cap
43	56250414	2	Bearing, Flange NOTE 2 TSBUS2005-887

NOTE 1: Used on machines built before serial number chart.

NOTE 2: Used on machines built after serial number chart.

NOTE 1 & 2 SERIAL NUMBER CHART

1797475 - Advenger™ 2400C, 2400D, 2600C, 2600D, 2810D

1797186 - Advenger™ 3210D

1797261 - Advenger™ 2810C

1797187 - Advenger™ 3210C

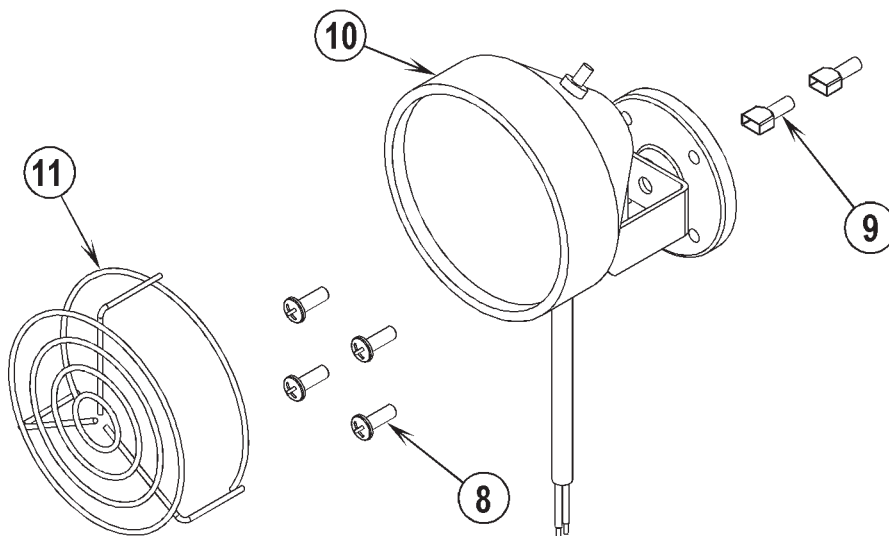
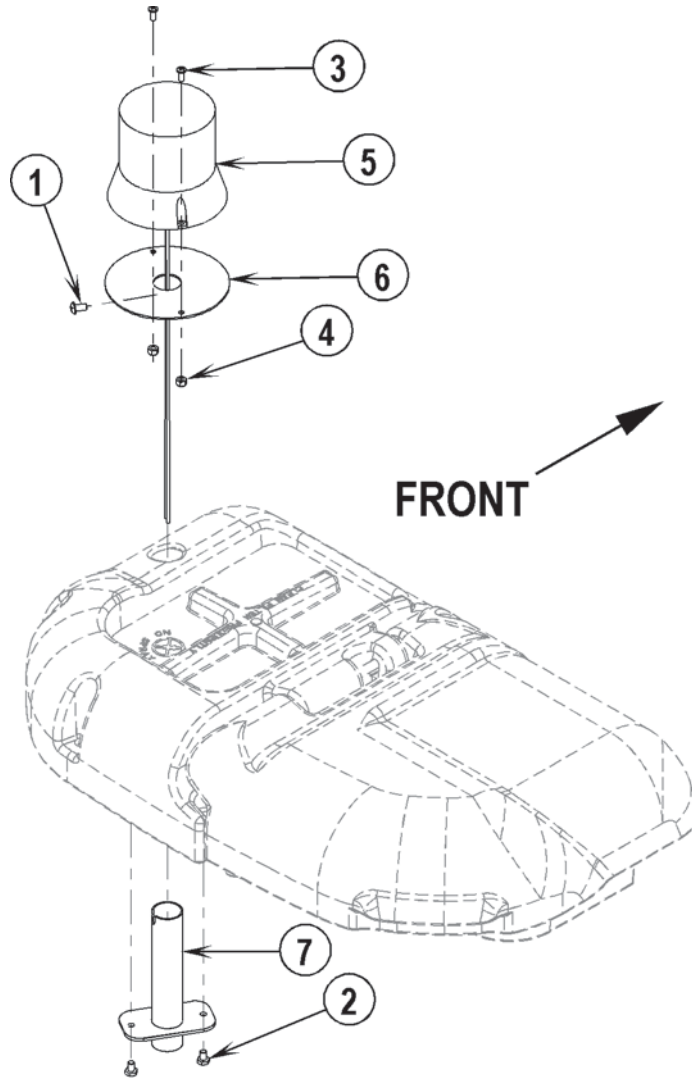
1796877 - BR 600S

1796885 - BR 700S

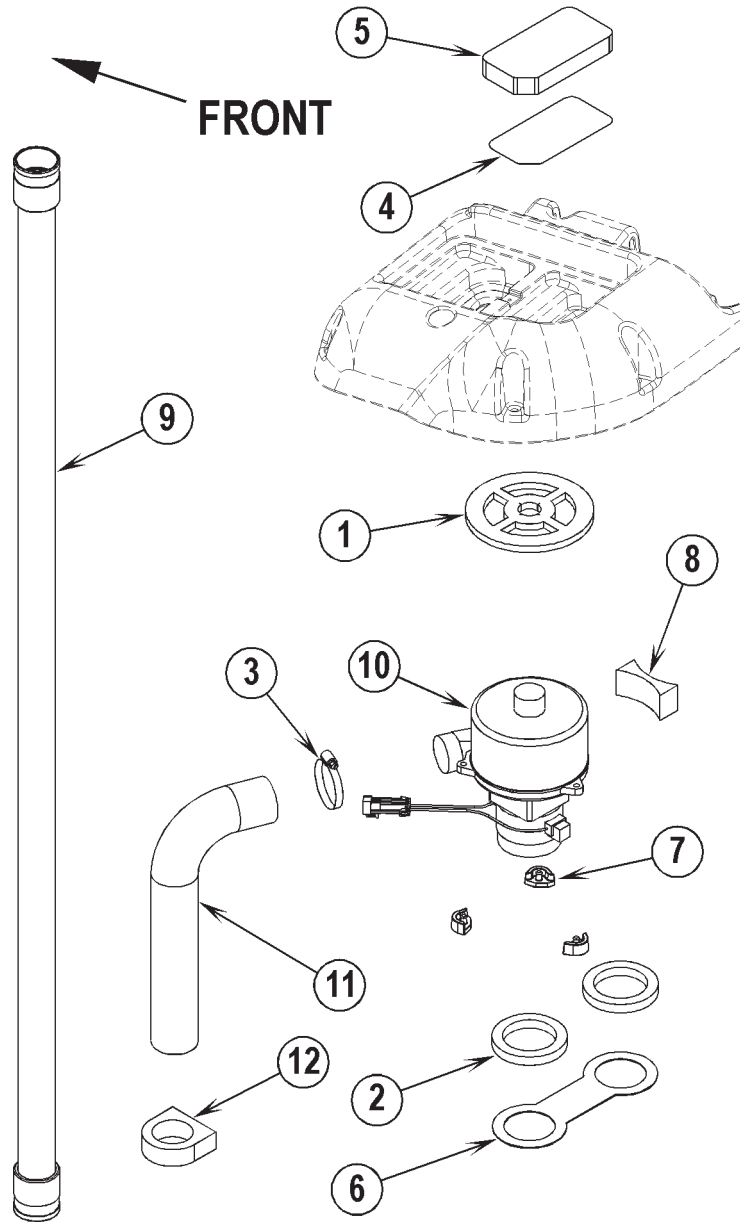
1796896 - BR 800S

1796903 - BR 700SC

1796906 - BR 800SC



Item	Ref. No.	Qty	Description
	56314302	1	Warning Beacon Kit
*	56040788	1	Instruction Sheet
1	56003119	1	Pan Phil SS 1/4-20 x .50
2	56001861	2	Scr, Hex Hd 1/4-20 x .38
3	56001993	2	Scr, Pan Phil 10-24 x .50
4	56002768	2	Nut, Hex Nyl Loc 10-24
5	56416433	1	Strobe
6	56314287	1	Plate Weldment
7	56314288	1	Tube Weldment
	56314313	1	Headlight Kit
*	56040791	1	Instruction Sheet
8	56002507	4	Scr, Pan Phil 1/4-20 x .75
9	56172230	2	Term .250 Ins Tab
10	56409239	1	Headlight
11	56409557	1	Guard, Headlight



03-1

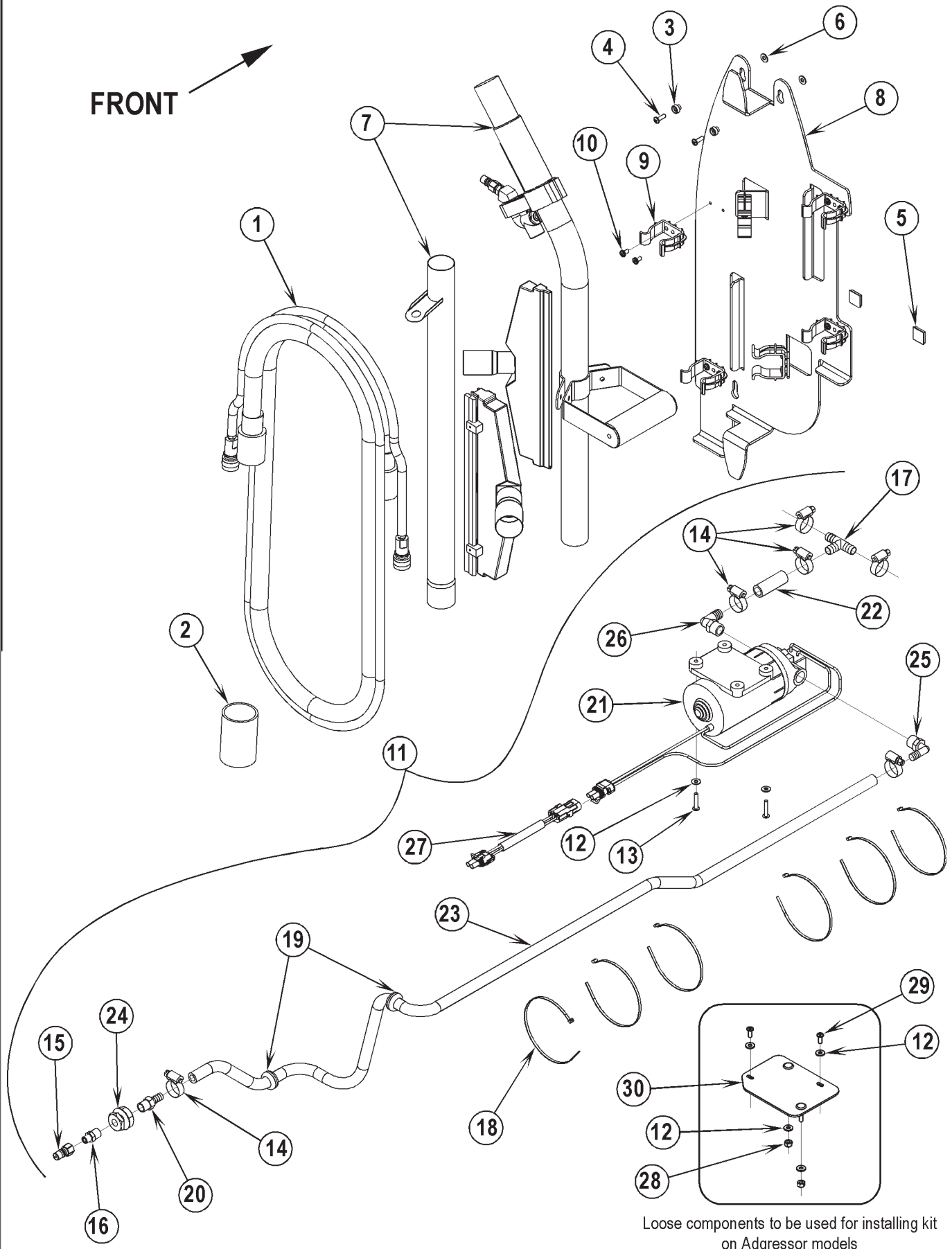
DUAL VAC MOTOR KIT**BOOK E**

04-3

Advenger™ / BR 600S, 650S, 700S, 800S**E****13.3.1****35**

Item	Ref. No.	Qty	Description
	56314338	1	Dual Vacuum Motor Kit
*	56040792	1	Instruction Sheet
1	56314704	1	Gasket
2	56314760	2	Gasket, Vacuum Duct
3	56440213	1	Clamp, Hose SAE #32
4	56314372	1	Screen, Filter
5	56314373	1	Filter
6	56314377	1	Plate, Separator (2 Mtr)
7	56314484	3	Mount, Vibration
8	56314708	1	Spacer, Foam
9	56314535	1	Vac Hose Assy.
10	56397228	1	Motor, Vac 36VDC
11	56459937	1	Vac Hose
12	56314761	1	Gasket, Hose

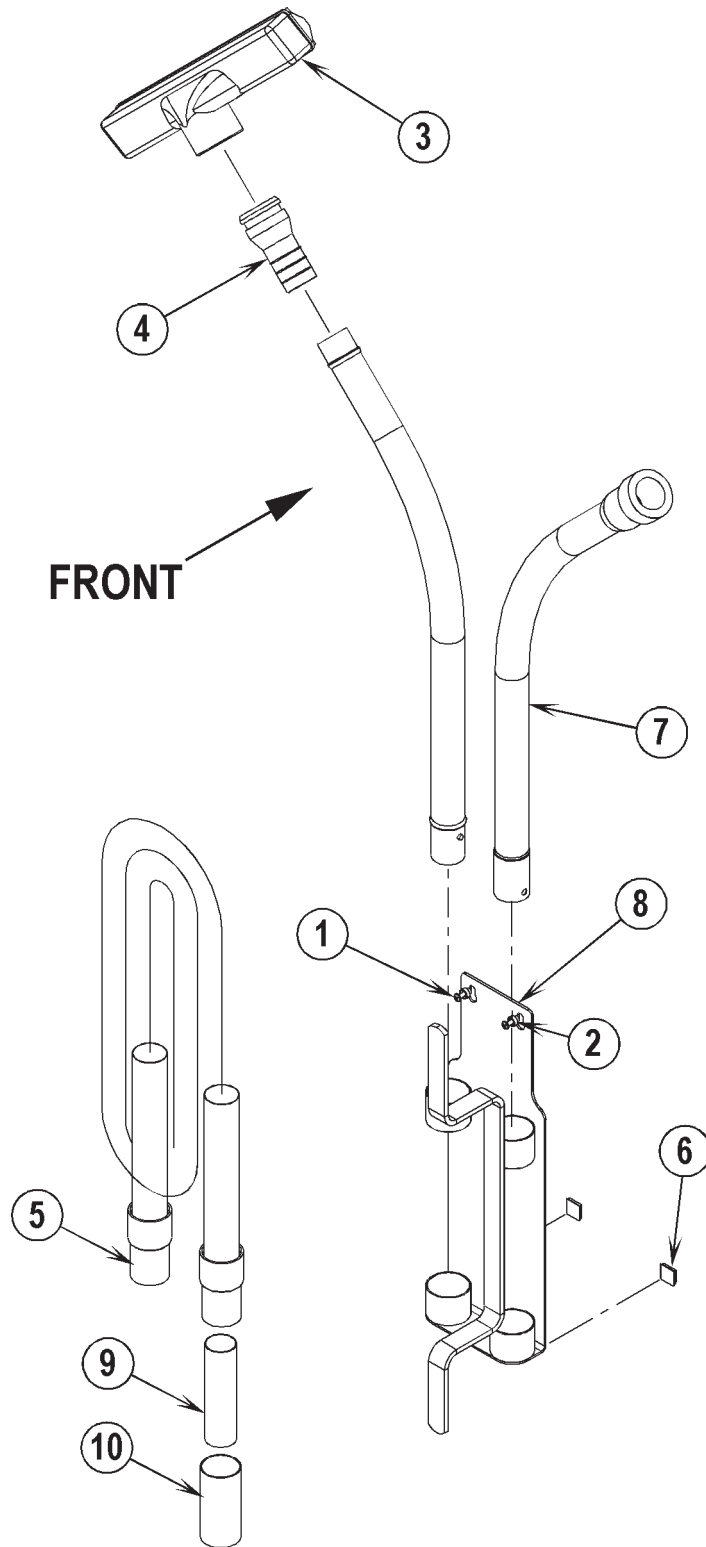
FRONT



Loose components to be used for installing kit on Adgressor models

Item	Ref. No.	Qty	Description
	56314308	1	Scrub-N-Vac Kit
*	56040783	1	Instruction Sheet
1	56220035	1	Hose, Assembly
2	56314399	1	Coupler
3	56412310	3	Bushing, Stepped
4	56002124	3	Scr, Pan Phil 10-24 x .62
5	56402940	2	Bumper, .812 Sq.
6	56009205	2	Washer, Flt. SS .219 x .50 x .047
7	56314402	1	Wand Assembly
8	56314403	1	Caddy
9	56407361	6	Clamp
10	56009030	12	Scr, Pan Phil Thd Form 10-24 x .38
11	56314309	1	Pump Assembly (includes items 12-30)
12	56001954	6	Wsh, Flt SAE #10
13	56002674	2	Scr, Pan Phil 10-24 x 1.00
14	56219932	6	Clamp, Hose SAE #6
15	56220055	1	Plug
16	56220074	1	Nipple 1/4 to 1/8 NPT
17	56262549	1	Tee, Barb
18	56478523	6	Tie, Cable
19	56052338	2	Grommet
20	56155640	1	Barb, Adapter 3/8 x 1/4 NPT
21	56212014	1	Pump, 36VDC
22	56262560	1	Hose, Nylon Braid
23	56314432	1	Hose, Spiral .375 x 63.00
24	56745543	1	Adapter Blk Hd 1/4
25	56900035	1	Barb, 90 Elbow 27/64 x 3/8 NPT
26	56900069	1	Barb, 90 Elbow 1/2 x 3/8 NPT
27	56314585	1	TVS Assembly
28	56002768	2	Nut, Hex Nyl Loc 10-24 NOTE 1
29	56001993	2	Scr, Pan Phil 10-24 x .50 NOTE 1
30	56314644	1	Plate Weldment NOTE 1

NOTE 1: These parts are included with this kit, but are only required for installation on Adgressor models.



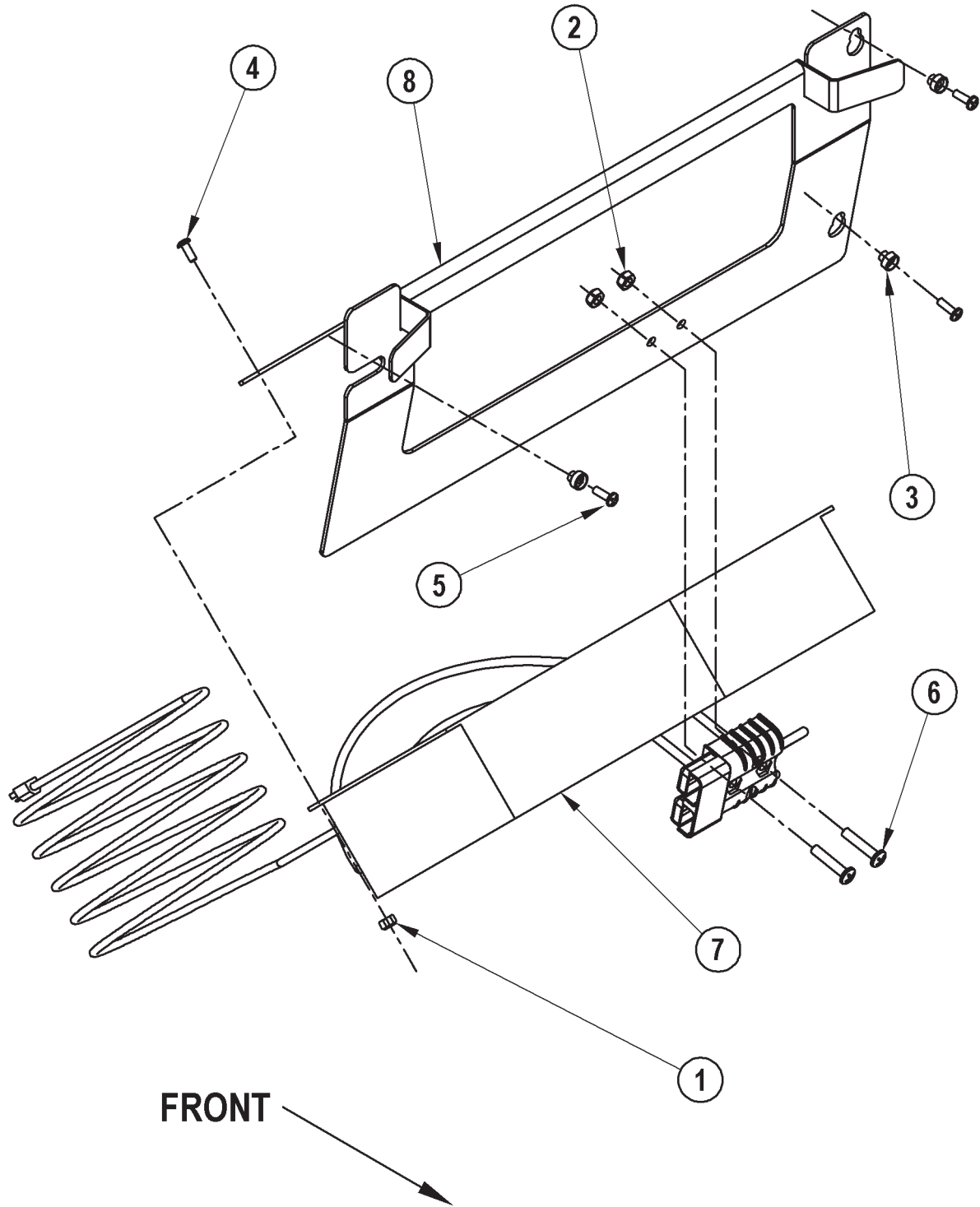
03-1

VACUUM WAND CADDY KIT**BOOK E**

04-3

Advenger™ / BR 600S, 650S, 700S, 800S**E****13.3.1****39**

Item	Ref. No.	Qty	Description
	56412223	1	Vacuum Wand Caddy Kit
*	56040686	1	Instruction Sheet
1	56002124	2	Scr, Pan Phil 10-24 x .62
2	56412310	2	Spacer, Stepped
3	56205114	1	Squeegee Tool, 14"
4	56301339	1	Coupler
5	56329062	1	Vac Hose, 1.50
6	56402940	2	Bumper
7	56409563	1	Wand, 2 Piece
8	56412227	1	Caddy Weldment
9	56204536	1	Extension Coupler
10	56314399	1	Coupler



03-1

ON-BOARD CHARGER KIT**BOOK E**

04-9

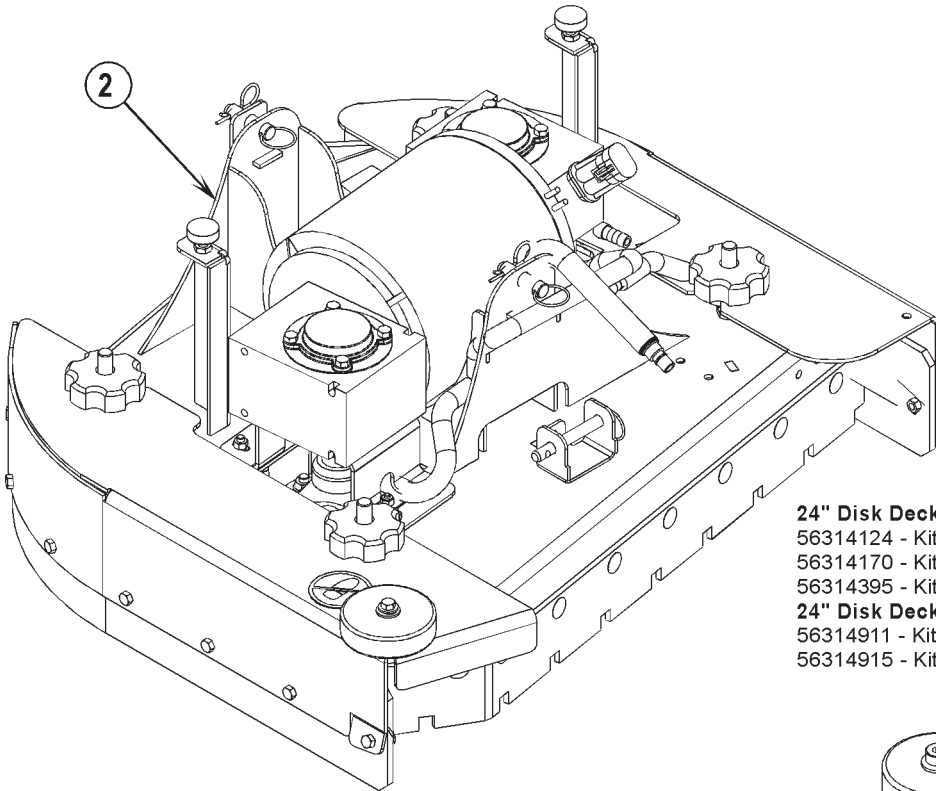
Advenger™ / BR 600S, 650S, 700S, 800S**E****13.3.1****41**

Item	Ref. No.	Qty	Description
	56314753	1	Onboard Charger Kit TSBUS2004-872
*	56040787	1	Instruction Sheet
1	56002768	6	Nut, Hex Nyl Loc 10-24
2	56002840	2	Nut,Hex Nyl Loc-Thin 1/4-20
3	56412310	3	Spacer, Stepped
4	56001993	6	Scr,Pan Phil 10-24x.50
5	56002124	3	Scr,Pan Phil 10-24x.62
6	56002825	2	Scr,Pan Phil 1/4-20x1.25
7	56314750	1	Charger, 36v, 25amp TSBUS2004-872
8	56314752	1	Weldment, Charger

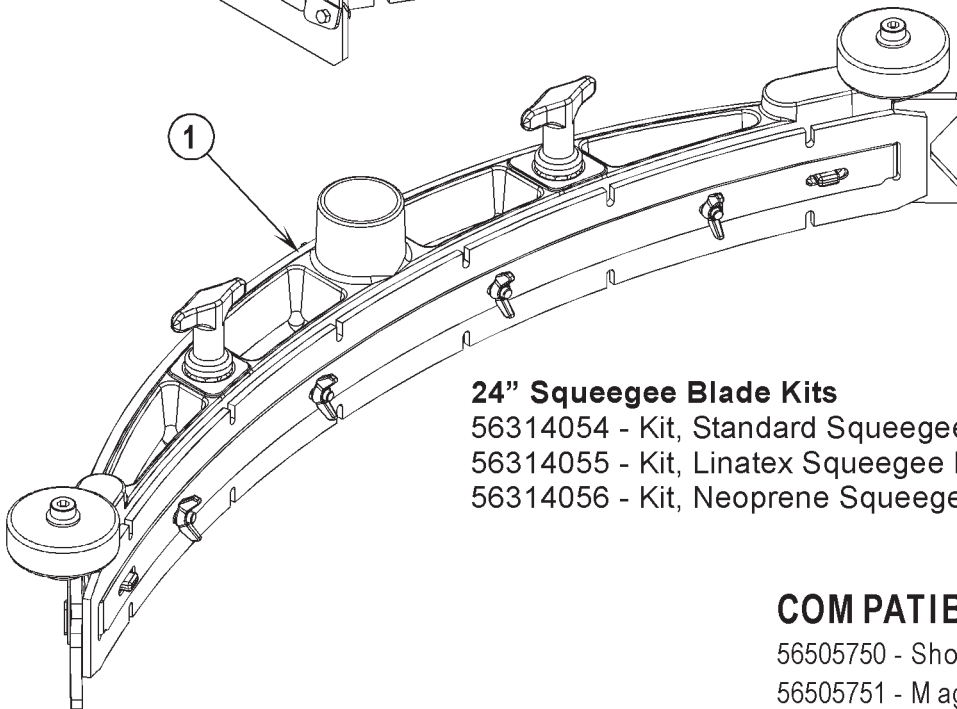
Item	Ref. No.	Qty	Description
	56314306	1	Right Side Broom Kit
*	56040789	1	Instruction Sheet
1	56001939	6	Wsh, Flt SAE 5/16
2	56001993	2	Scr, Pan Phil 10-24 x .50
3	56002066	4	Scr, Pan Phil 1/4-20 x .62
4	56002098	4	Wsh, Flt SAE 1/4
5	56002119	1	Scr, Soc Set Loc 1/4-20 x .50
6	56002155	4	Scr, Hex Hd 1/4-20 x .75
7	56002691	1	Scr, Hex Hd 5/16-18 x 5.50
8	56002701	1	Nut, Hex Nyl Loc 5/16-18
9	56002769	1	Nut, Hex Nyl Loc 3/8-16
10	56002933	4	Scr, Hex Hd Loc 1/4-20 x .38
11	56003312	1	Nut, Hex Nyl Loc M12-1.75
12	56003389	6	Nut, Hex Nyl Loc M8-1.25
13	56003416	6	Scr, Hex M8-1.25 x 30mm
14	56003418	1	Scr, Hex M12-1.75 x 30mm
15	56009252	1	Nut, Wing SS 3/8-16
16	56185264	3	Bearing, Flange
17	56228052	2	Bushing
18	56324310	1	Nut Plate
19	56372088	1	Switch, Waterproof
20	56378534	1	Knob
21	56314095	1	Brush Holder Weldment
22	56314167	1	Sidebroom Arm Weldment
23	56314174	1	Pivot Weldment
24	56314178	1	Bracket Weldment
25	56314190	1	Bracket, Lift
26	56314194	1	Bar, Lift
27	56314198	1	Rod, Lift
28	56469530	1	Motor Assembly 24V
29	1451899000	1	Brush, Sidebroom
*	56314259	1	Harness, Sidebroom
*	56478246	1	Wire Tie

* = Not Shown

56314474 - Kit, Deck 2400D



24" Disk Deck Blade Kits (Before TSBUS2004-884)
 56314124 - Kit, Gum Rubber 24 Disk
 56314170 - Kit, Neoprene 24 Disk
 56314395 - Kit, Linatex 24 Disk
24" Disk Deck Blade Kits (After TSBUS2004-884)
 56314911 - Kit, Gum Rubber 24 disk
 56314915 - Kit, Linatex 24 Disk



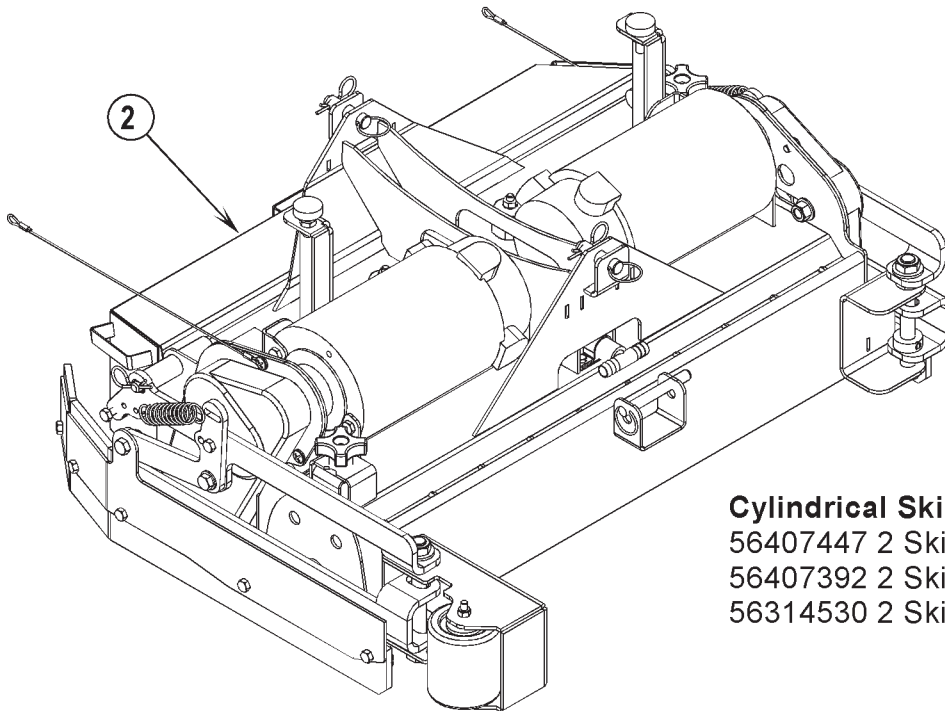
24" Squeegee Blade Kits
 56314054 - Kit, Standard Squeegee Blade
 56314055 - Kit, Linatex Squeegee Blade
 56314056 - Kit, Neoprene Squeegee Blade

COMPATIBLE BRUSHES

56505750 - Short Trim Pad Holder
 56505751 - Magna Grit
 56505752 - Dyna Grit
 56505753 - AgLite Grit
 56505754 - ProLite
 56505755 - Prolene
 56505756 - Union Mix
 56505757 - MidGrit
 56505758 - MidLite Grit

Item	Ref. No.	Qty	Description
	56314474	1	Kit, Deck 2400D
*	56040794	1	Instruction Sheet
1	56314327	1	Squeegee Assembly
2	56314513	1	24" Disk Deck Assembly

56314475 - Kit, Deck 2400C

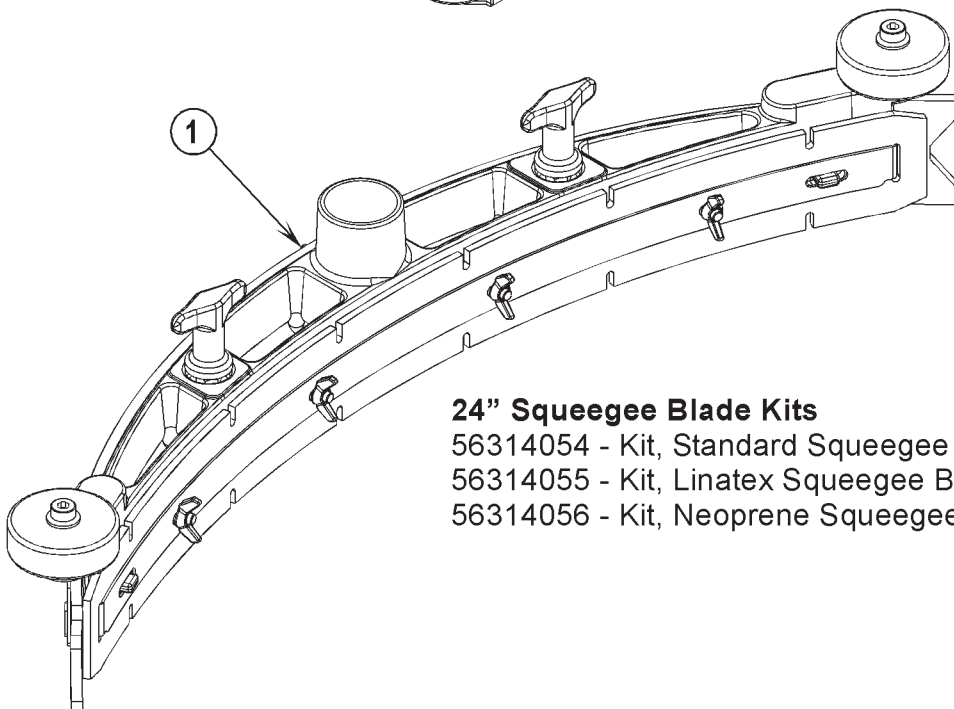


Cylindrical Skirts

56407447 2 Skirt, Gum Rubber

56407392 2 Skirt, Neoprene

56314530 2 Skirt, Linatex



24" Squeegee Blade Kits

56314054 - Kit, Standard Squeegee Blade

56314055 - Kit, Linatex Squeegee Blade

56314056 - Kit, Neoprene Squeegee Blade

Item	Ref. No.	Qty	Description
	56314475	1	Kit, Deck 2400C
*	56040794	1	Instruction Sheet
1	56314327	1	Squeegee Assembly
2	56314523	1	24" Cylindrical Deck Assembly

COMPATIBLE BRUSHES

56314389 - Soft Nylon

56314390 - Hard Nylon

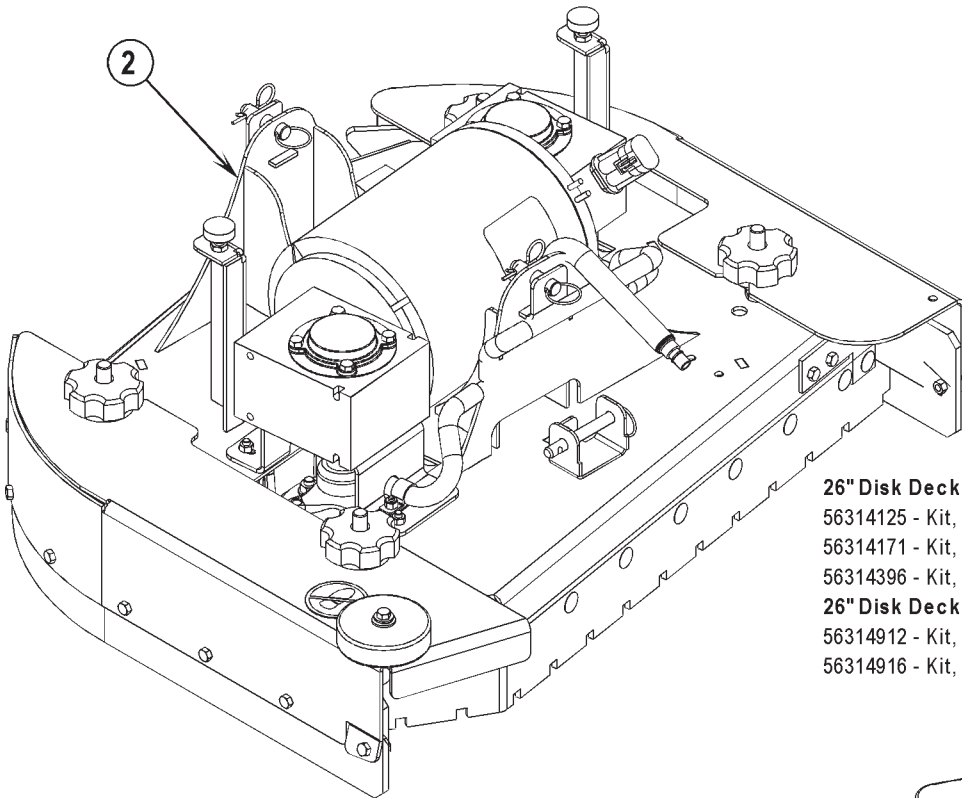
56314391 - Prolene

56314392 - 180 Grit

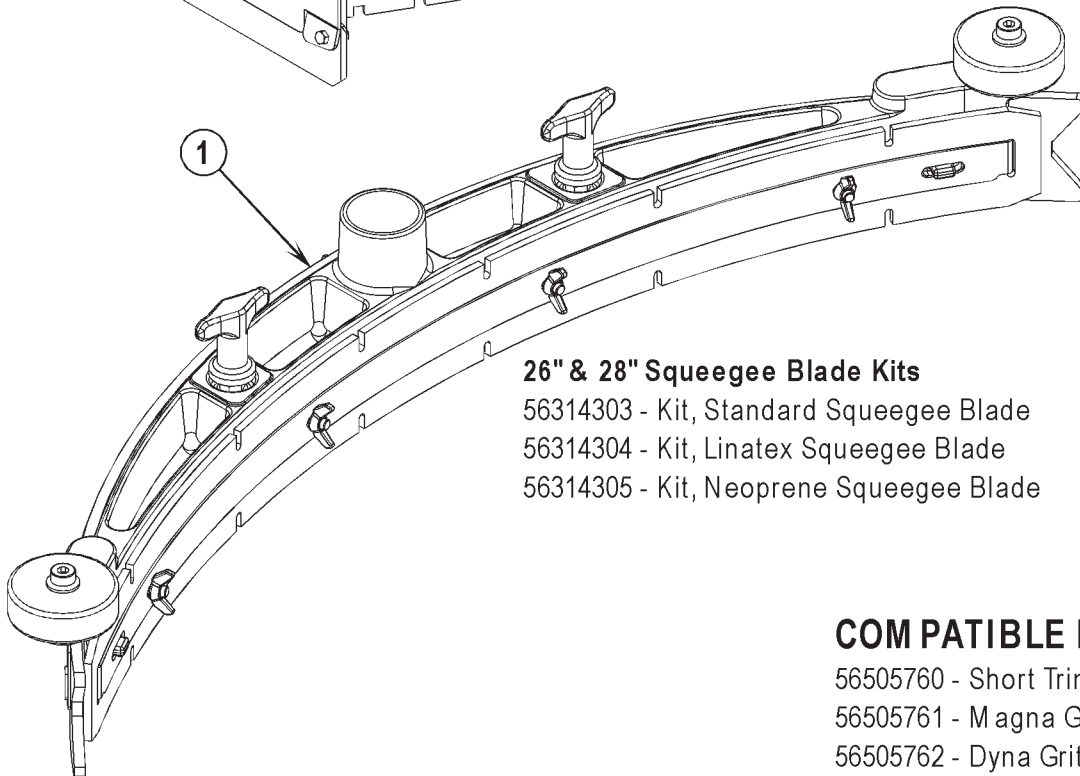
56314393 - 80 Grit

56314394 - 46 Grit

56314476 - Kit, Deck 2600D



- 26" Disk Deck Blade Kits (Before TSBUS2004-884)**
 56314125 - Kit, Gum Rubber 26 Disk
 56314171 - Kit, Neoprene 26 Disk
 56314396 - Kit, Linatex 26 Disk
26" Disk Deck Blade kits (After TSBUS2004-884)
 56314912 - Kit, Gum Rubber 26 Disk
 56314916 - Kit, Linatex 26 Disk



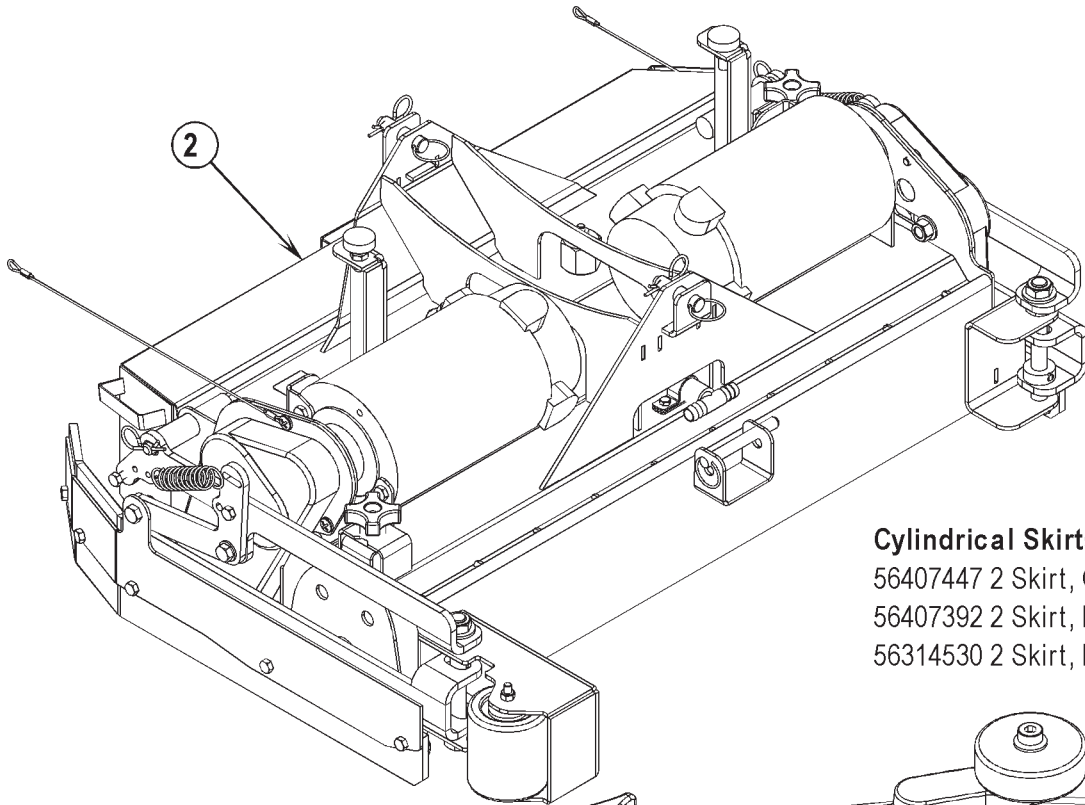
- 26" & 28" Squeegee Blade Kits**
 56314303 - Kit, Standard Squeegee Blade
 56314304 - Kit, Linatex Squeegee Blade
 56314305 - Kit, Neoprene Squeegee Blade

COMPATIBLE BRUSHES

- 56505760 - Short Trim Pad Holder
 56505761 - Magna Grit
 56505762 - Dyna Grit
 56505763 - AgLite Grit
 56505764 - ProLite
 56505765 - Prolene
 56505766 - Union Mix
 56505767 - MidGrit
 56505768 - MidLite Grit

Item	Ref. No.	Qty	Description
	56314476	1	Kit, Deck 2600D
*	56040794	1	Instruction Sheet
1	56314020	1	Squeegee Assembly
2	56314512	1	26" Disk Deck Assembly

56314477 - Kit, Deck 2600C

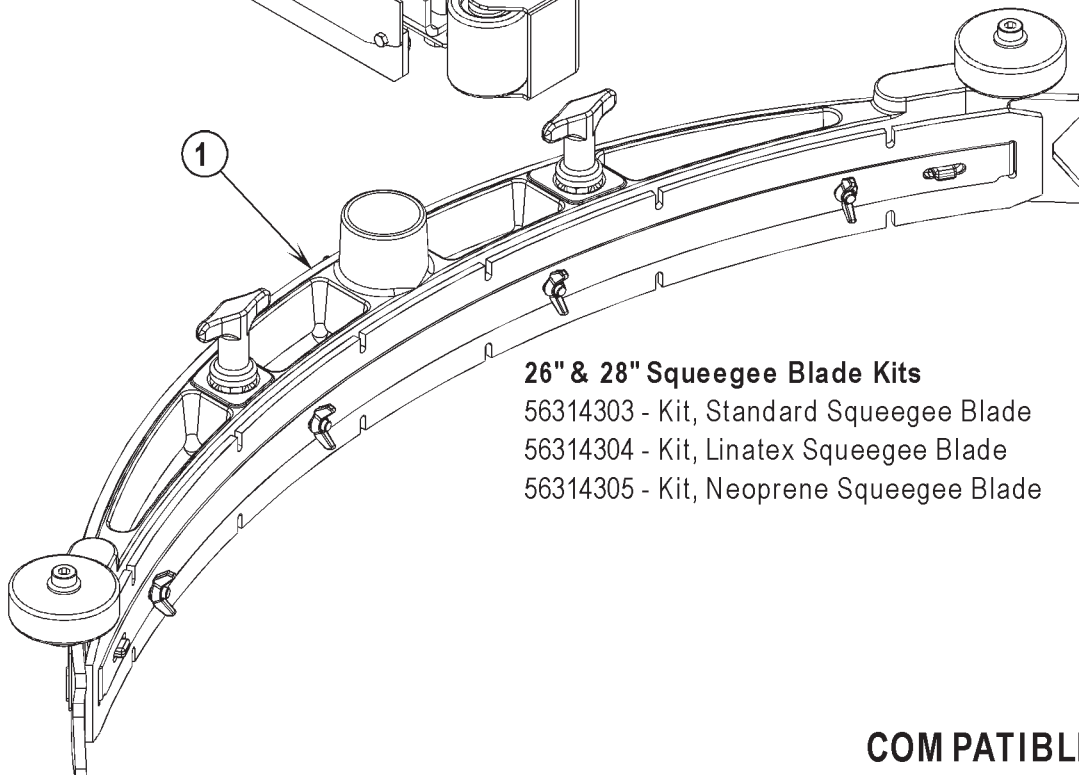


Cylindrical Skirts

56407447 2 Skirt, Gum Rubber

56407392 2 Skirt, Neoprene

56314530 2 Skirt, Linatex



26" & 28" Squeegee Blade Kits

56314303 - Kit, Standard Squeegee Blade

56314304 - Kit, Linatex Squeegee Blade

56314305 - Kit, Neoprene Squeegee Blade

COMPATIBLE BRUSHES

56314383 - Soft Nylon

56314384 - Hard Nylon

56314385 - Prolene

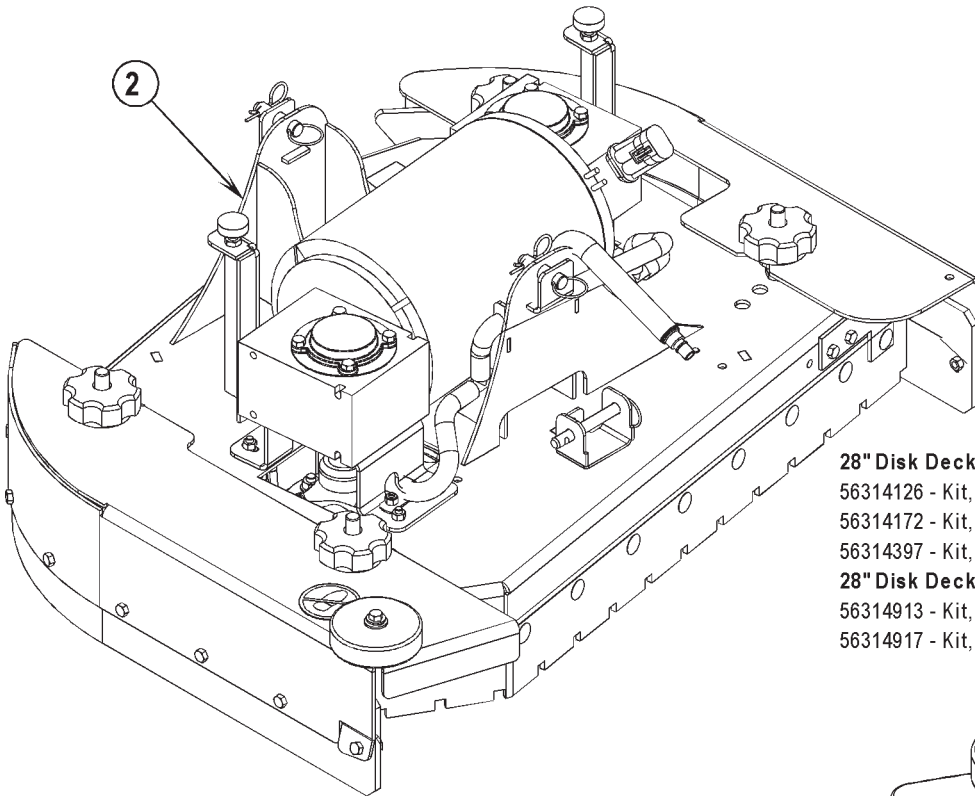
56314386 - 180 Grit

56314387 - 80 Grit

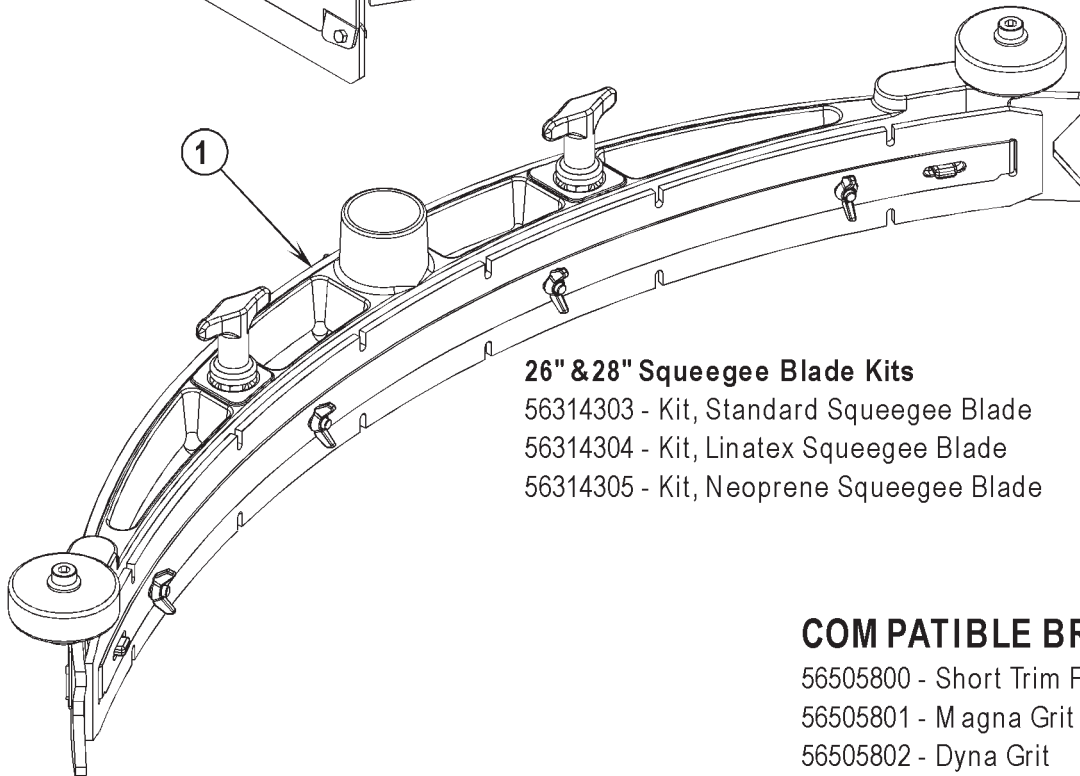
56314388 - 46 Grit

Item	Ref. No.	Qty	Description
	56314477	1	Kit, Deck 2600C
*	56040794	1	Instruction Sheet
1	56314020	1	Squeegee Assembly
2	56314522	1	26" Cylindrical Deck Assembly

56314478 - Kit, Deck 2810D



- 28" Disk Deck Blade Kits (Before TSBUS2004-884)**
 56314126 - Kit, Gum Rubber 28 Disk
 56314172 - Kit, Neoprene 28 Disk
 56314397 - Kit, Linatex 28 Disk
28" Disk Deck Blade Kits (After TSBUS2004-884)
 56314913 - Kit, Gum Rubber 28 Disk
 56314917 - Kit, Linatex 28 Disk



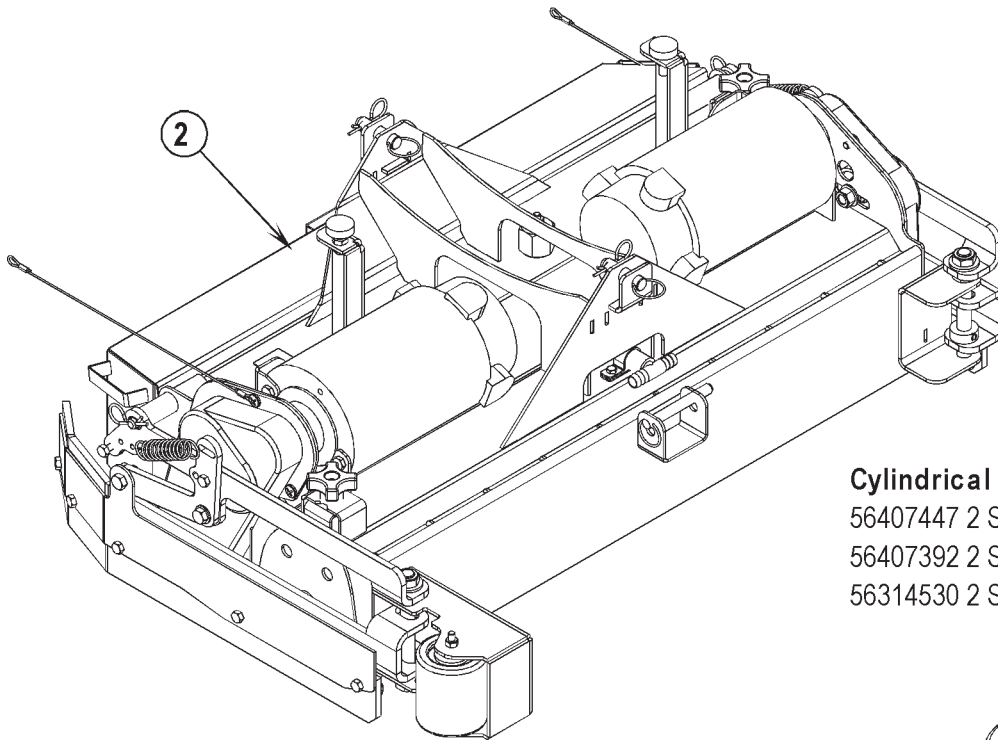
- 26" & 28" Squeegee Blade Kits**
 56314303 - Kit, Standard Squeegee Blade
 56314304 - Kit, Linatex Squeegee Blade
 56314305 - Kit, Neoprene Squeegee Blade

COMPATIBLE BRUSHES

- 56505800 - Short Trim Pad Holder
 56505801 - Magna Grit
 56505802 - Dyna Grit
 56505803 - AgLite Grit
 56505804 - ProLite
 56505805 - Prolene
 56505806 - Union Mix
 56505807 - MidGrit
 56505808 - MidLite Grit

Item	Ref. No.	Qty	Description
	56314478	1	Kit, Deck 2810D
*	56040794	1	Instruction Sheet
1	56314020	1	Squeegee Assembly
2	56314511	1	28" Disk Deck Assembly

56314479 - Kit, Deck 2810C

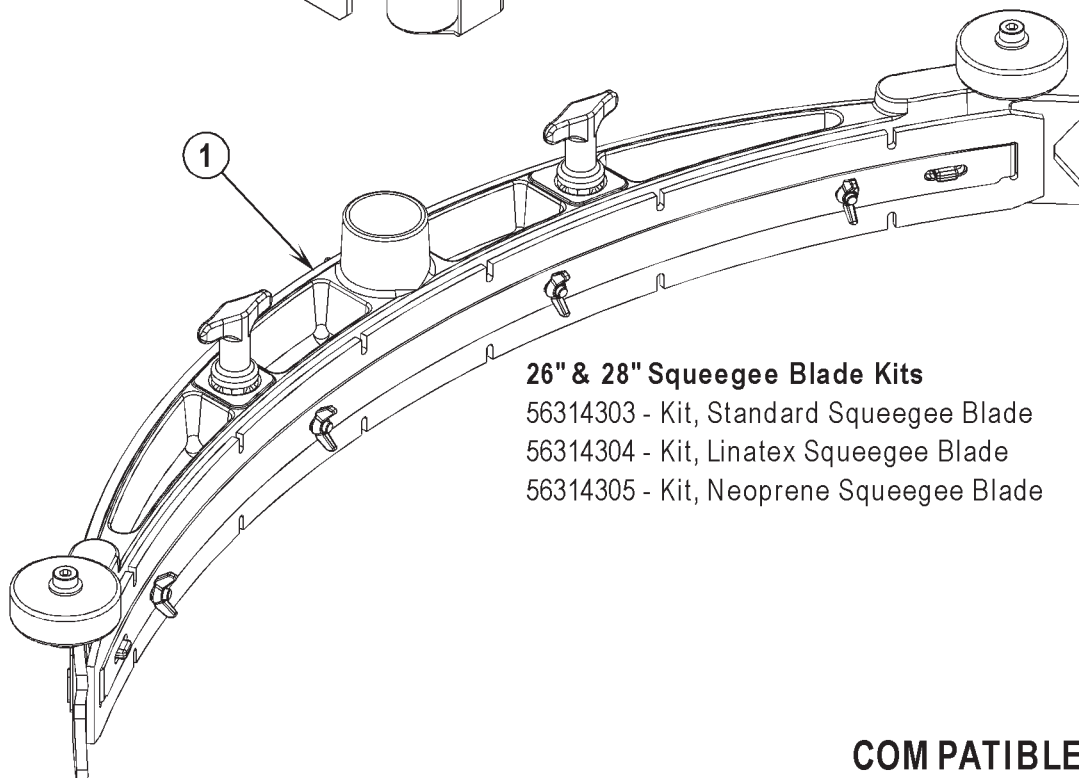


Cylindrical Skirts

56407447 2 Skirt, Gum Rubber

56407392 2 Skirt, Neoprene

56314530 2 Skirt, Linatex



26" & 28" Squeegee Blade Kits

56314303 - Kit, Standard Squeegee Blade

56314304 - Kit, Linatex Squeegee Blade

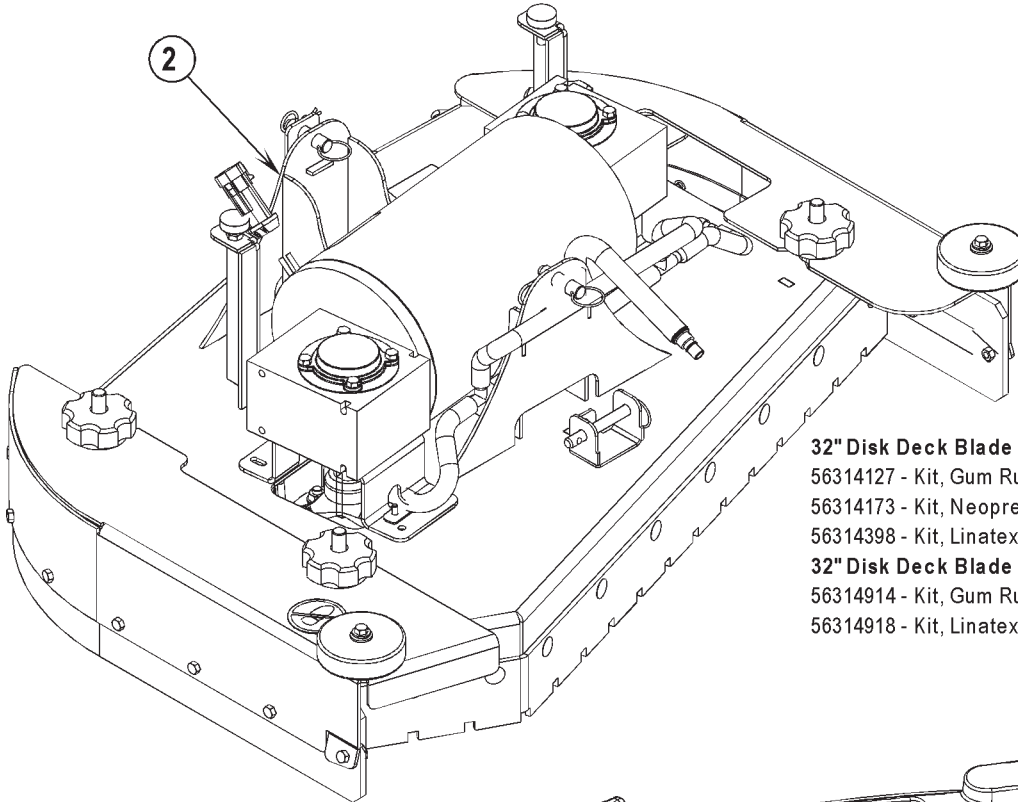
56314305 - Kit, Neoprene Squeegee Blade

Item	Ref. No.	Qty	Description
	56314479	1	Kit, Deck 2810C
*	56040794	1	Instruction Sheet
1	56314020	1	Squeegee Assembly
2	56314521	1	28" Cylindrical Deck Assembly

COMPATIBLE BRUSHES

56412191 - Soft Nylon
 56412192 - Hard Nylon
 56412046 - Prolene
 56412193 - 180 Grit
 56412194 - 80 Grit
 56412195 - 46 Grit

56314480 - Kit, Deck 3210D



32" Disk Deck Blade Kits (Before TSBUS2004-884)

56314127 - Kit, Gum Rubber 32 Disk

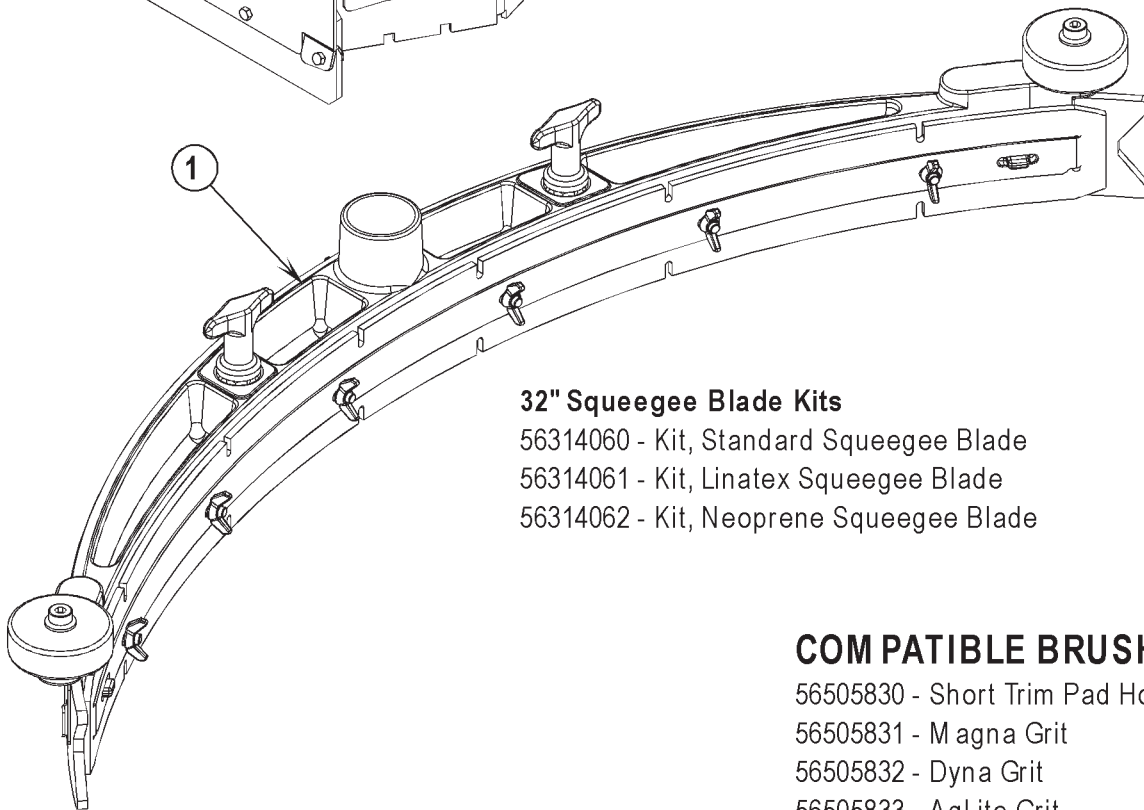
56314173 - Kit, Neoprene 32 Disk

56314398 - Kit, Linatex 32 Disk

32" Disk Deck Blade Kits (After TSBUS2004-884)

56314914 - Kit, Gum Rubber 32 Disk

56314918 - Kit, Linatex 32 Disk



32" Squeegee Blade Kits

56314060 - Kit, Standard Squeegee Blade

56314061 - Kit, Linatex Squeegee Blade

56314062 - Kit, Neoprene Squeegee Blade

COM PATIBLE BRUSHES

56505830 - Short Trim Pad Holder

56505831 - Magna Grit

56505832 - Dyna Grit

56505833 - AgLite Grit

56505834 - ProLite

56505835 - Prolene

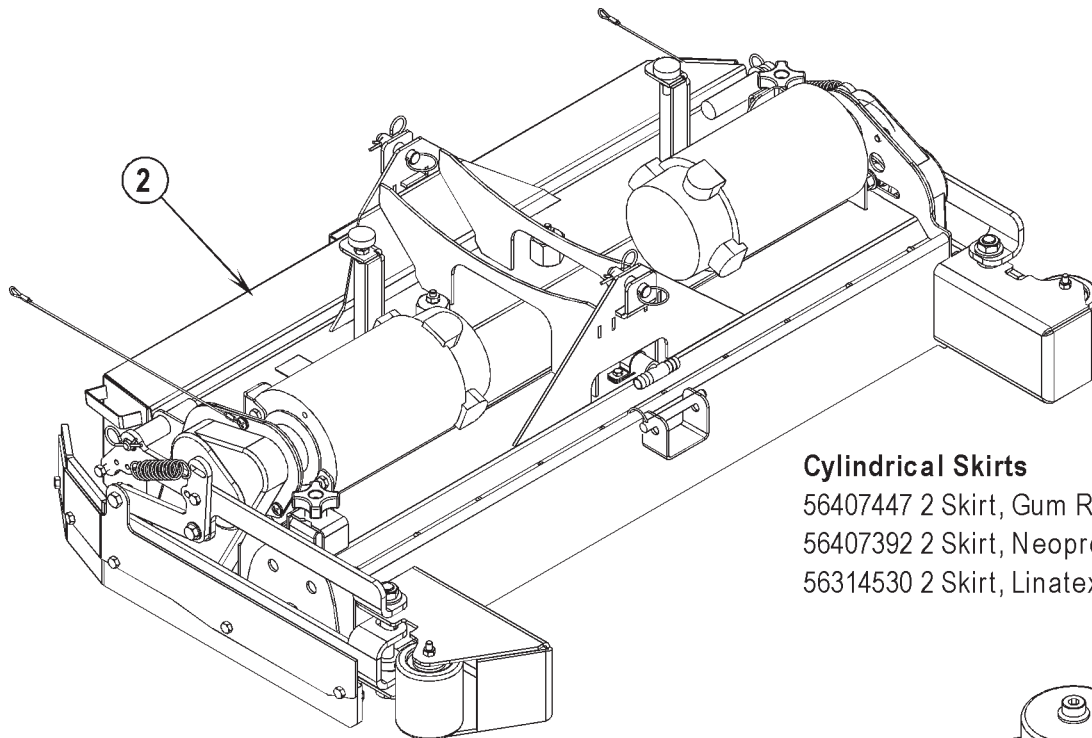
56505836 - Union Mix

56505837 - MidGrit

56505838 - MidLite Grit

Item	Ref. No.	Qty	Description
	56314480	1	Kit, Deck 3210D
*	56040794	1	Instruction Sheet
1	56314358	1	Squeegee Assembly
2	56314510	1	32" Disk Deck Assembly

56314481 - Kit, Deck 3210C

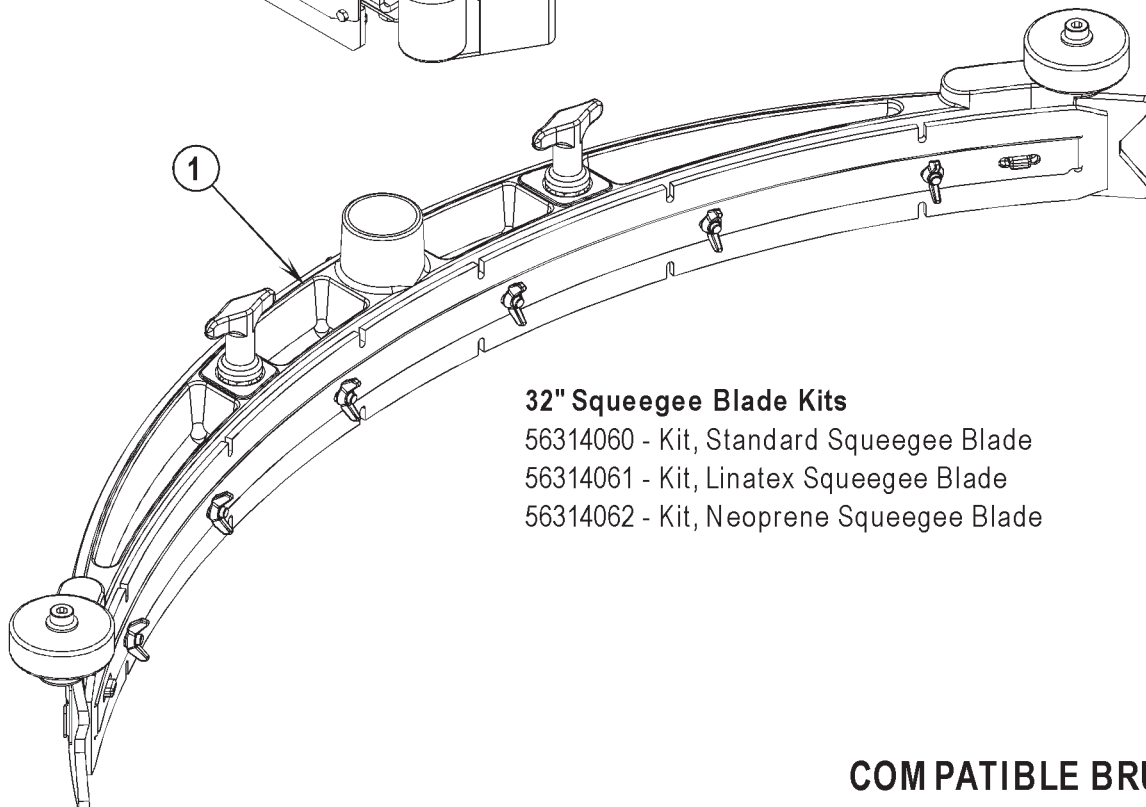


Cylindrical Skirts

56407447 2 Skirt, Gum Rubber

56407392 2 Skirt, Neoprene

56314530 2 Skirt, Linatex



32" Squeegee Blade Kits

56314060 - Kit, Standard Squeegee Blade

56314061 - Kit, Linatex Squeegee Blade

56314062 - Kit, Neoprene Squeegee Blade

COMPATIBLE BRUSHES

56407473 - Soft Nylon

56407474 - Hard Nylon

56407475 - Prolene

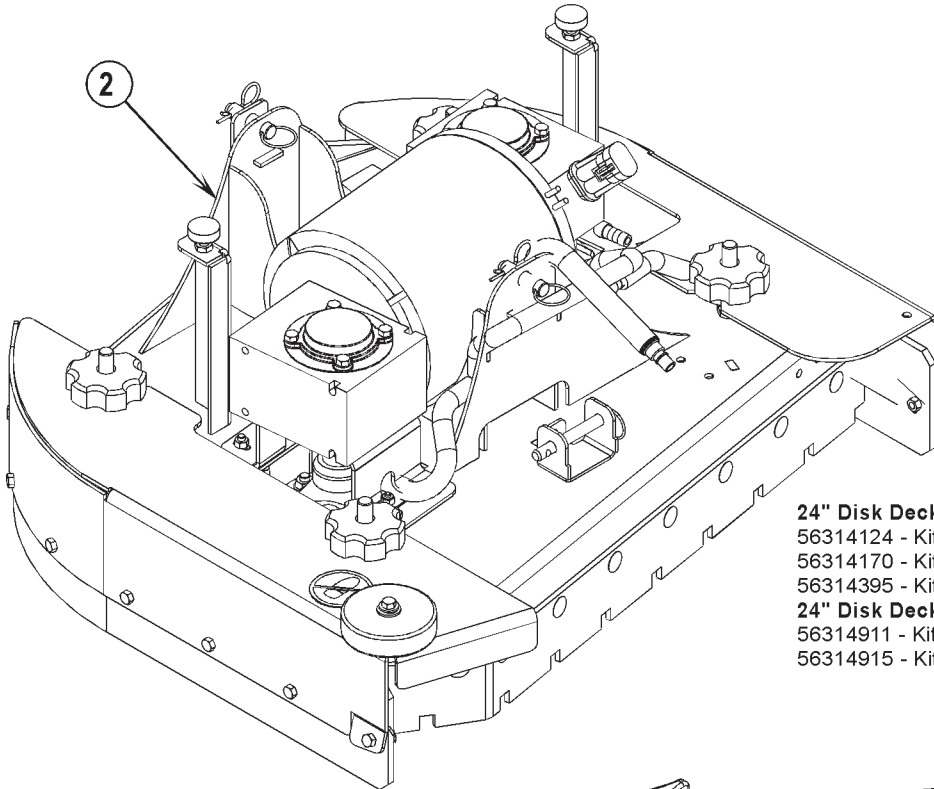
56407476 - 180 Grit

56407477 - 80 Grit

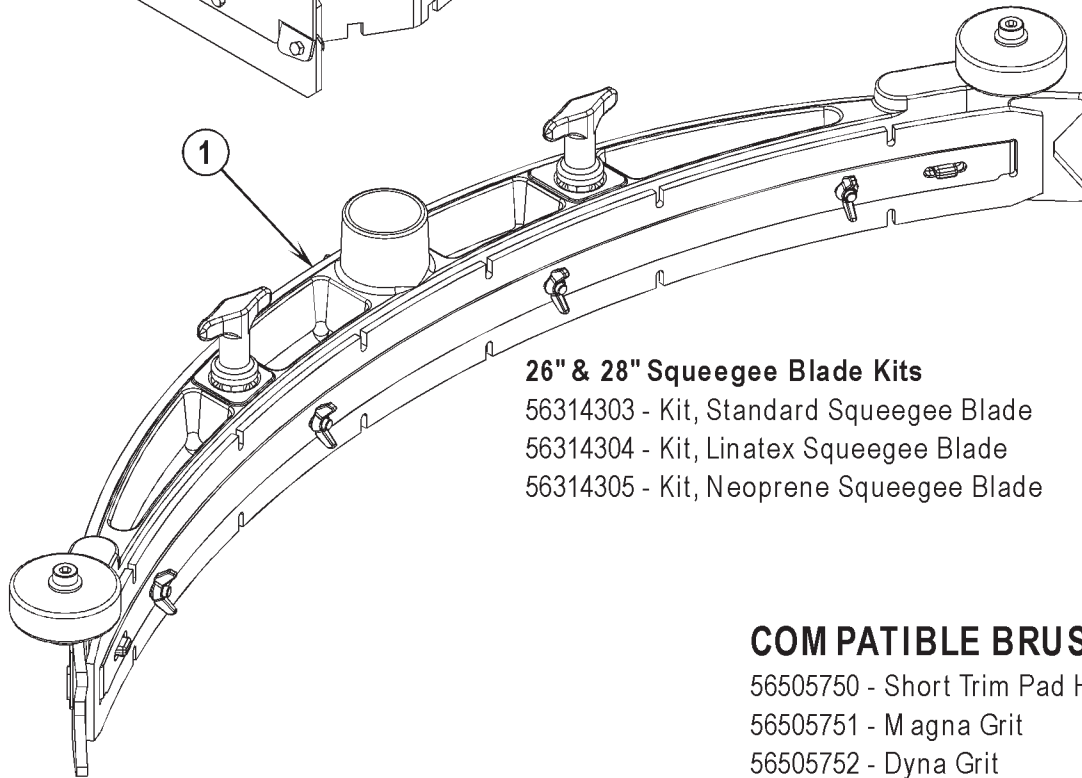
56407478 - 46 Grit

Item	Ref. No.	Qty	Description
	56314481	1	Kit, Deck 3210C
*	56040794	1	Instruction Sheet
1	56314358	1	Squeegee Assembly
2	56314520	1	32" Cylindrical Deck Assembly

56316520 - Kit, Deck BR 600S



24" Disk Deck Blade Kits (Before TSBUS2004-884)
 56314124 - Kit, Gum Rubber 24 Disk
 56314170 - Kit, Neoprene 24 Disk
 56314395 - Kit, Linatex 24 Disk
24" Disk Deck Blade Kits (After TSBUS2004-884)
 56314911 - Kit, Gum Rubber 24 disk
 56314915 - Kit, Linatex 24 Disk



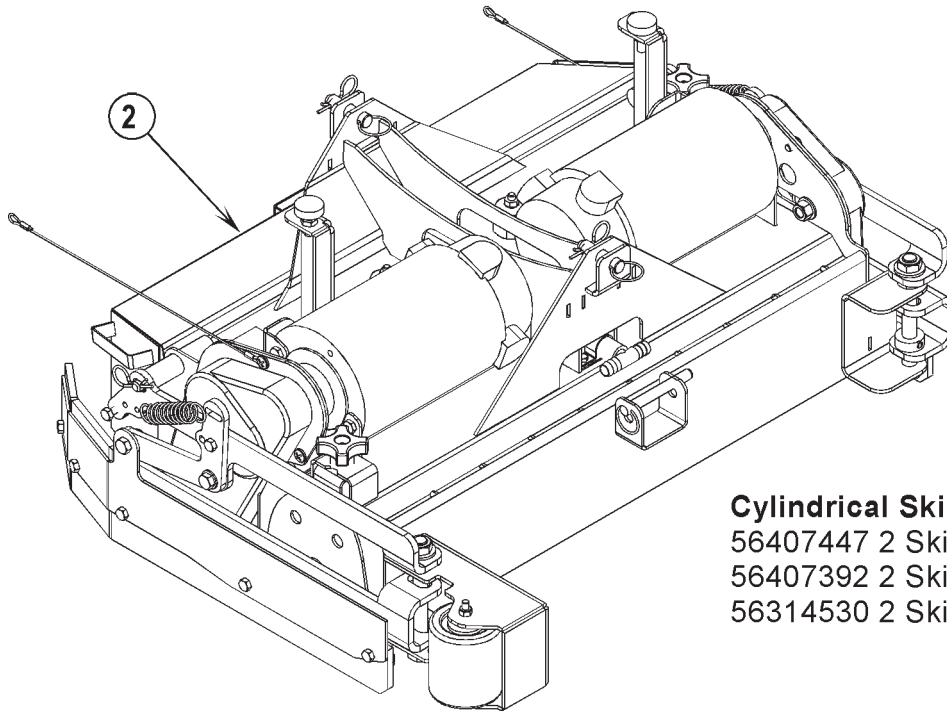
26" & 28" Squeegee Blade Kits
 56314303 - Kit, Standard Squeegee Blade
 56314304 - Kit, Linatex Squeegee Blade
 56314305 - Kit, Neoprene Squeegee Blade

COMPATIBLE BRUSHES

56505750 - Short Trim Pad Holder
 56505751 - Magna Grit
 56505752 - Dyna Grit
 56505753 - AgLite Grit
 56505754 - ProLite
 56505755 - Prolene
 56505756 - Union Mix
 56505757 - MidGrit
 56505758 - MidLite Grit

Item	Ref. No.	Qty	Description
	56316520	1	Kit, Deck BR 600S
*	56040794	1	Instruction Sheet
1	56314020	1	Squeegee Assembly
2	56314513	1	24" Disk Deck Assembly

56316521 - Kit, Deck BR 600SC

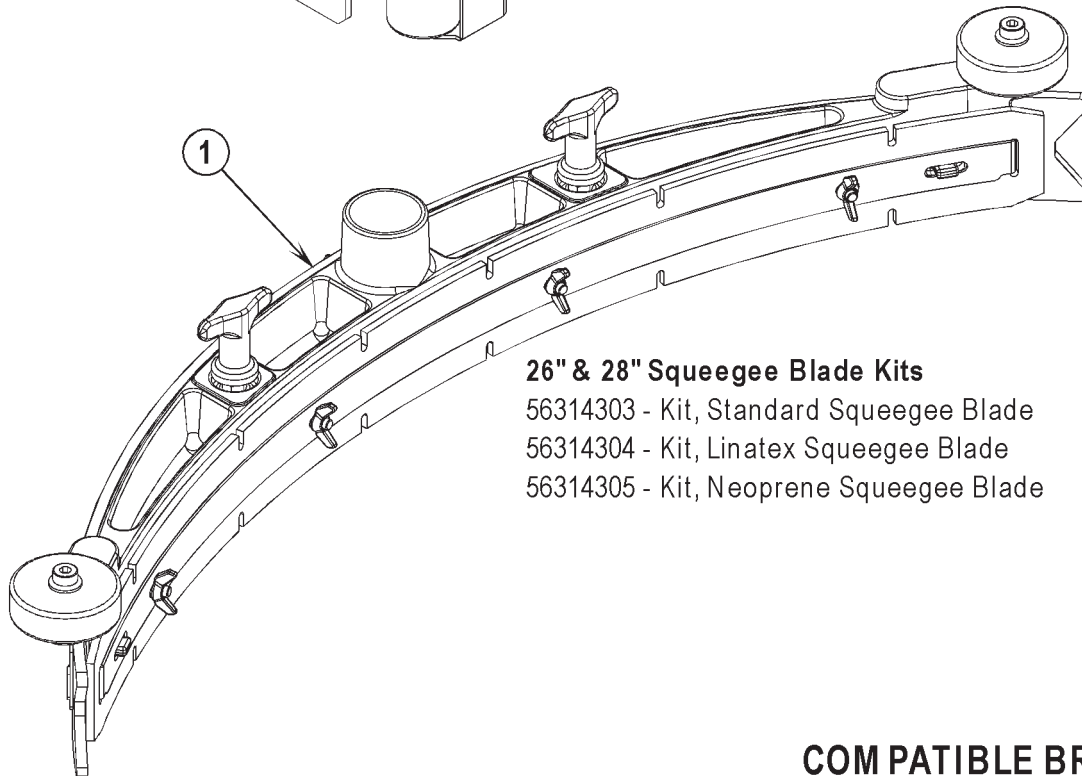


Cylindrical Skirts

56407447 2 Skirt, Gum Rubber

56407392 2 Skirt, Neoprene

56314530 2 Skirt, Linatex



26" & 28" Squeegee Blade Kits

56314303 - Kit, Standard Squeegee Blade

56314304 - Kit, Linatex Squeegee Blade

56314305 - Kit, Neoprene Squeegee Blade

COMPATIBLE BRUSHES

56314389 - Soft Nylon

56314390 - Hard Nylon

56314391 - Prolene

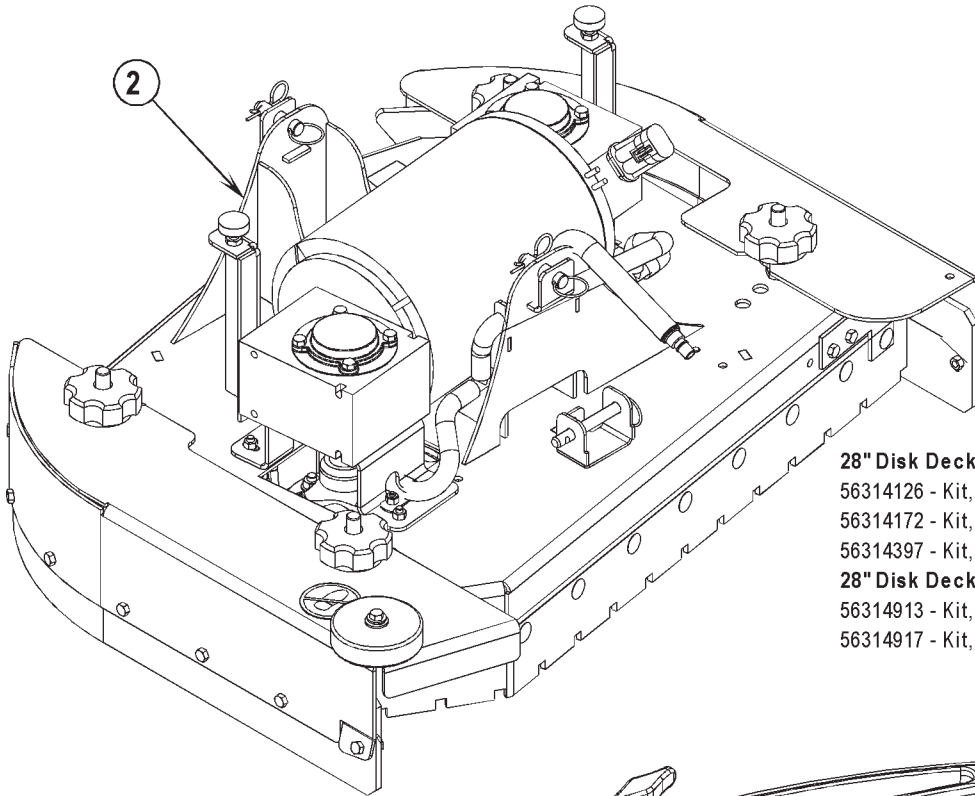
56314392 - 180 Grit

56314393 - 80 Grit

56314394 - 46 Grit

Item	Ref. No.	Qty	Description
	56316521	1	Kit, Deck BR 600SC
*	56040794	1	Instruction Sheet
1	56314020	1	Squeegee Assembly
2	56314523	1	24" Cylindrical Deck Assembly

56316522 - Kit, Deck BR 700S



28" Disk Deck Blade Kits (Before TSBUS2004-884)

56314126 - Kit, Gum Rubber 28 Disk

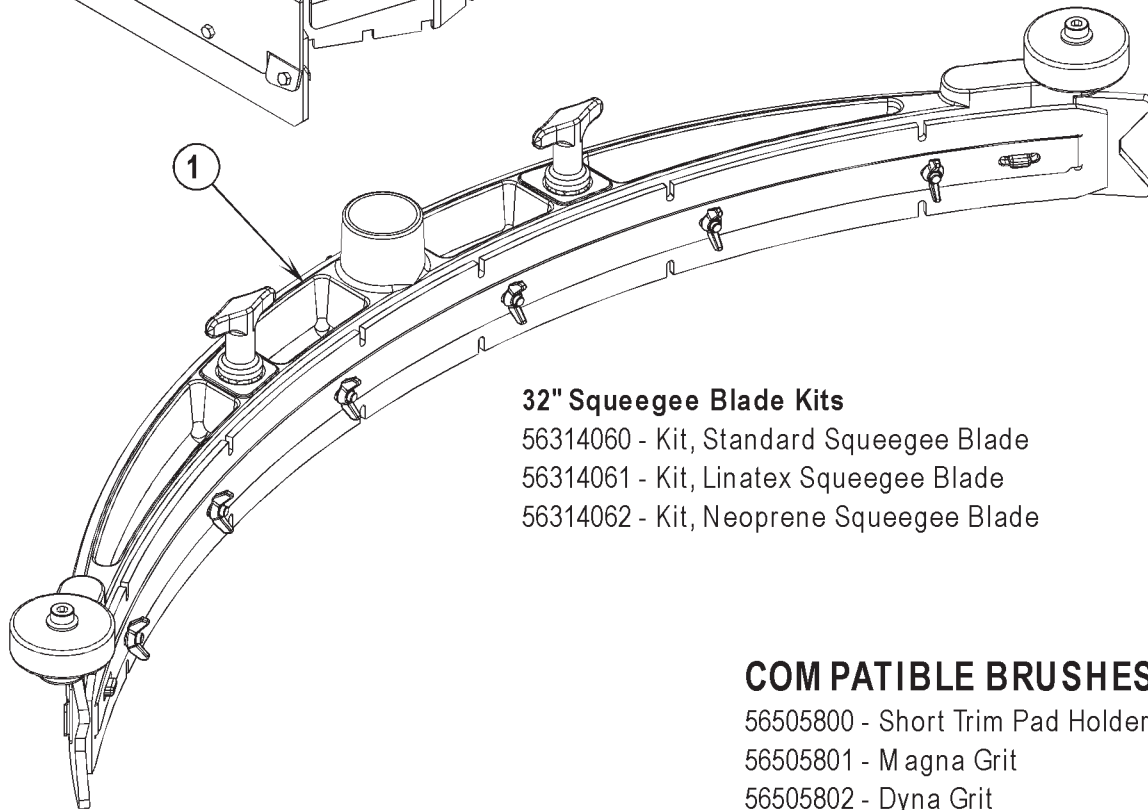
56314172 - Kit, Neoprene 28 Disk

56314397 - Kit, Linatex 28 Disk

28" Disk Deck Blade Kits (After TSBUS2004-884)

56314913 - Kit, Gum Rubber 28 Disk

56314917 - Kit, Linatex 28 Disk



32" Squeegee Blade Kits

56314060 - Kit, Standard Squeegee Blade

56314061 - Kit, Linatex Squeegee Blade

56314062 - Kit, Neoprene Squeegee Blade

COM PATIBLE BRUSHES

56505800 - Short Trim Pad Holder

56505801 - Magna Grit

56505802 - Dyna Grit

56505803 - AgLite Grit

56505804 - ProLite

56505805 - Prolene

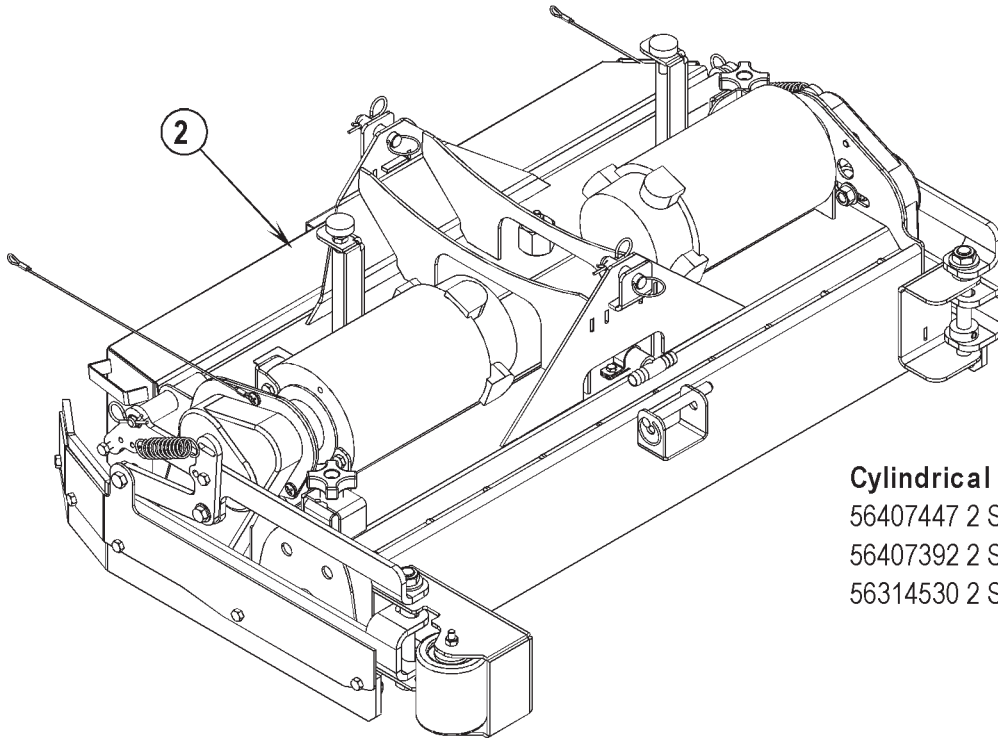
56505806 - Union Mix

56505807 - MidGrit

56505808 - MidLite Grit

Item	Ref. No.	Qty	Description
	56316522	1	Kit, Deck BR 700S
*	56040794	1	Instruction Sheet
1	56314358	1	Squeegee Assembly
2	56314511	1	28" Disk Deck Assembly

56316523 - Kit, Deck BR 700SC

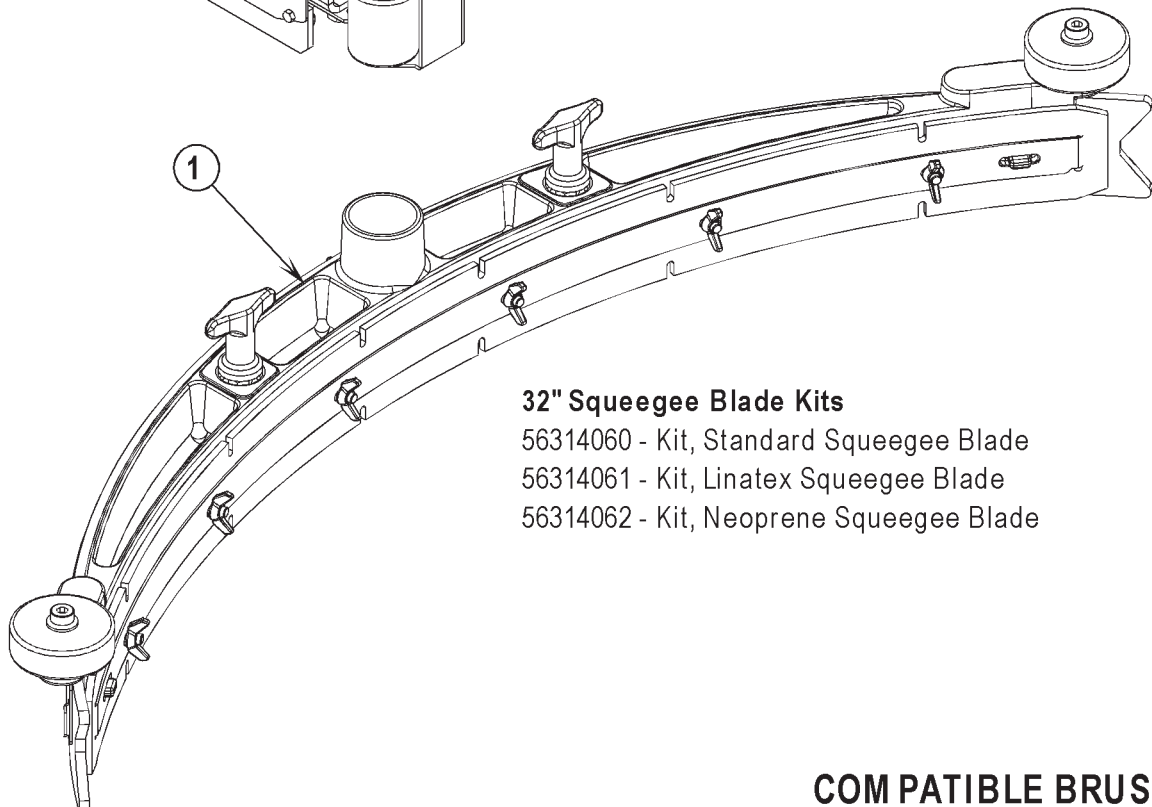


Cylindrical Skirts

56407447 2 Skirt, Gum Rubber

56407392 2 Skirt, Neoprene

56314530 2 Skirt, Linatex



32" Squeegee Blade Kits

56314060 - Kit, Standard Squeegee Blade

56314061 - Kit, Linatex Squeegee Blade

56314062 - Kit, Neoprene Squeegee Blade

COMPATIBLE BRUSHES

56412191 - Soft Nylon

56412192 - Hard Nylon

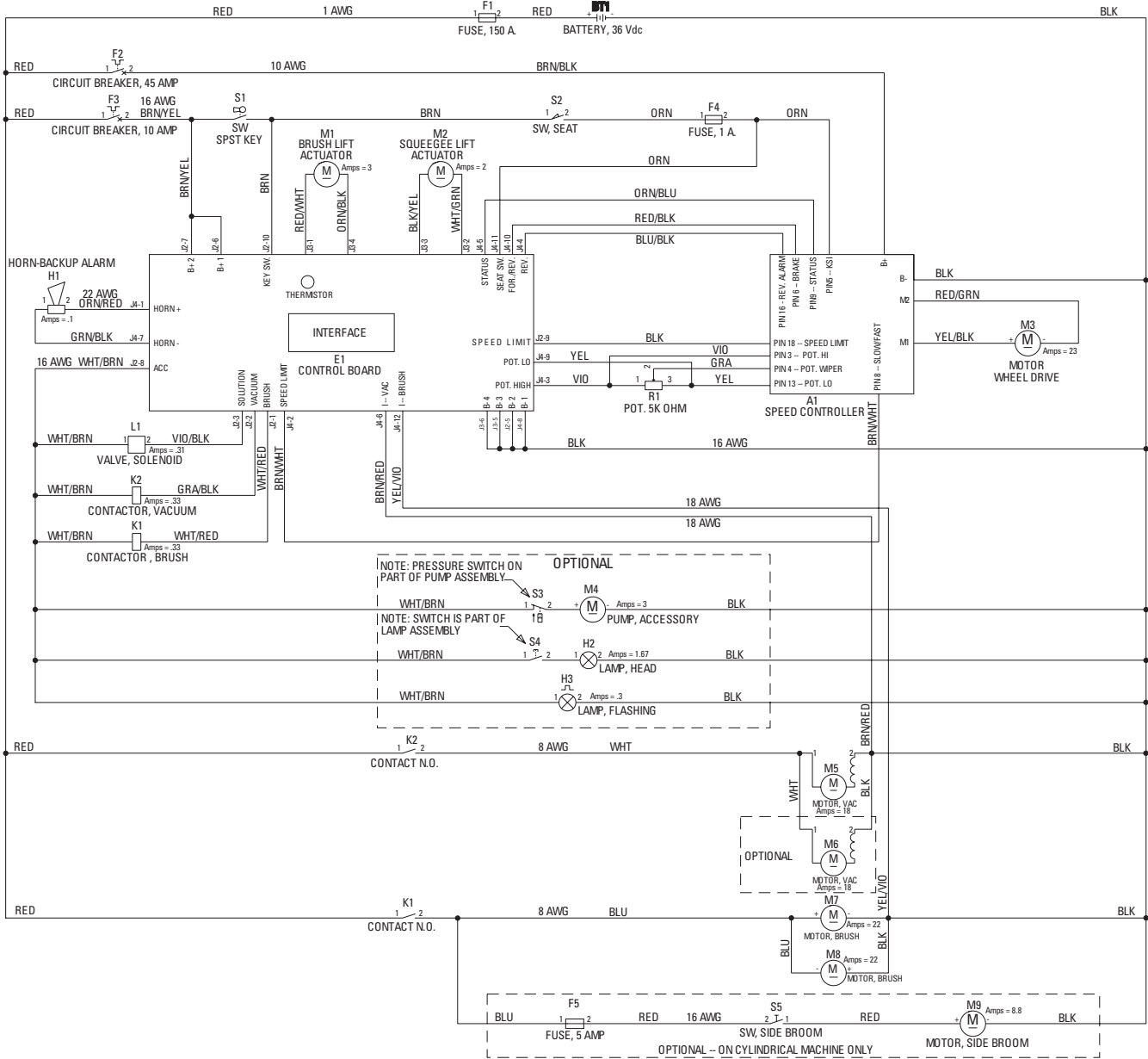
56412046 - Prolene

56412193 - 180 Grit

56412194 - 80 Grit

56412195 - 46 Grit

Item	Ref. No.	Qty	Description
	56316523	1	Kit, Deck BR 700SC
*	56040794	1	Instruction Sheet
1	56314358	1	Squeegee Assembly
2	56314521	1	28" Cylindrical Deck Assembly



Item	Ref. No.	Qty	Description	Item	Ref. No.	Qty	Description
A1	56314067	1	Controller	M7	56314139	1	Motor Gearbox Assy (24" / Disk)
BT1	N/A		Battery		56314140	1	Motor Gearbox Assy (26" / Disk)
E1	56314072	1	Control Panel Assembly		56314141	1	Motor Gearbox Assy (28" / Disk)
F1	56412089	1	Fuse, 150 Amp		56314335	1	Motor Gearbox Assy (32" / Disk)
F2	56364294	1	Circuit Breaker, 45 Amp (Wheel Drive)	*	56314359	2	Key, 6mm Square
F3	56387316	1	Circuit Breaker, 10 Amp (Control Circuit)	*	56314499	2	Cover, Gearbox
F4	N/A	1	Fuse, 1 Amp	*	56314560	2	Gearbox
F5		1	Fuse, 5 Amp (Side Broom / optional)	*	56314580	1	Bearing (Fan End)
H1	56412177	1	Horn / Backup Alarm	*	56314581	1	Bearing (Brush End)
H2	56314063	1	Headlight (optional)	*	56314582	1	Brush Ring
H3	56416433	1	Strobe Light (optional)	*	56314583	4	Carbon Brush
K1	56395450	1	Contactora, Brush Motor	*	56314584	1	Safety Hook
K2	56395450	1	Contactora, Vac Motor	*	56407431	1	Motor, 36VDC, .75HP (Cylindrical)
L1	56397215	1	Solenoid Valve				TSBUS2004-868
M1	56393303	1	Lift Actuator, Brush	*	56417489	1	Armature (for 56407431)
*	56470433	1	Carbon Brush Kit	*	56407490	1	Bearing (for 56407431)
*	56393790	2	Limit Switch	*	56407492	1	Brush Cap Assy (for 56407431)
*	56388520	1	Plastic Nut	*	56407493	4	Carbon Brush Assy (for 56407431)
M2	56397230	1	Lift Actuator, Squeegee TSBUS2004-864	*	56407494	4	Brush Cover Cap (for 56407431)
M3	56314268	1	Motor, Drive Wheel TSBUS2004-869	M8	56407431	1	Motor, 36VDC, .75HP (Cylindrical)
*	56314282	1	Brake Bar				TSBUS2004-868
*	56314289	1	Brake Band	*	56417489	1	Armature (for 56407431)
*	56412320	1	Carbon Brush Cover Kit (contains 4 seal rings & 4 brush covers)	*	56407490	1	Bearing (for 56407431)
*	56412321	1	Sealing Ring	*	56407492	1	Brush Cap Assy (for 56407431)
*	56412322	1	Bearing, Ball, Gearbox Side	*	56407493	4	Carbon Brush Assy (for 56407431)
*	56412323	1	Bearing, Ball, Brush Side	*	56407494	4	Brush Cover Cap (for 56407431)
*	56412325	1	Carbon Brush Kit	M9		1	Motor, Side Broom (optional)
*	56314269	1	Drive Wheel – P7 Scrubber Compound	R1	56454740	1	Potentiometer, 5K
**	56412339	1	Drive Wheel – Polyurethane	S1	56396188	1	Switch, Key
M4	56212014	1	Motor, Pump (optional)	*	56396189	1	Key, Spare
M5	56397228	1	Motor, Vac 36VDC	S2	56409613	1	Switch, Seat
*	56212223	1	Carbon Brush Set	S3	N/A	1	Switch, Pump (part of M4)
M6	56397228	1	Motor, Vac 36VDC (optional)	S4	N/A	1	Switch, Headlight (part of H2)
*	56212223	1	Carbon Brush Set	S5		1	Switch, Side Broom (optional)

* = Not Shown

** = Optional

We provide brushes and pad holders that will give you the best possible performance between machine and floor. Following are descriptions of the materials and their applications.

- Union Mix:** Medium grade natural fibers for polishing finished floors with standard-speed equipment. Recommended for use in place of white pads.
- ProLite:** Bristles are made from light-duty polypropylene for general scrubbing when you do not want to scratch or remove finish from the floor. Recommended for use in place of red pads.
- Prolene:** Polypropylene material for medium-duty scrubbing on concrete, terrazzo and vinyl floor tile. Recommended for use in place of green or blue pads.
- Magna Grit:** For extreme heavy-duty scrubbing or stripping of floors. This brush has extra large diameter silicon carbide grit impregnated synthetic bristles. Recommended for use in place of black pads.
- Dyna Grit:** For aggressive, heavy-duty scrubbing or stripping of floors. Recommended for use in place of brown pads.
- MidLite Grit:** For general purpose scrubbing of sealed or unsealed concrete, stone, terrazzo, quarry tile and other resilient hard floor surfaces. Recommended for use in place of green or blue pads.
- MidGrit:** For general purpose scrubbing when you need a lighter action for sealed or unsealed concrete, stone, terrazzo, quarry tile and other resilient hard floor surfaces. Recommended for use in place of green or blue pads.
- AgLite Grit:** For light scrubbing when used wet; buffing or polishing when used dry on urethane coated, sealed concrete or other resilient hard surface floors. Recommended for use in place of red or white pads.

Short Trim

24" BRUSHES

- 56505750 - Short Trim Pad Holder
- 56505751 - Magna Grit
- 56505752 - Dyna Grit
- 56505753 - AgLite Grit
- 56505754 - ProLite
- 56505755 - Prolene
- 56505756 - Union Mix
- 56505757 - MidGrit
- 56505758 - MidLite Grit

28" BRUSHES

- 56505800 - Short Trim Pad Holder
- 56505801 - Magna Grit
- 56505802 - Dyna Grit
- 56505803 - AgLite Grit
- 56505804 - ProLite
- 56505805 - Prolene
- 56505806 - Union Mix
- 56505807 - MidGrit
- 56505808 - MidLite Grit

26" BRUSHES

- 56505760 - Short Trim Pad Holder
- 56505761 - Magna Grit
- 56505762 - Dyna Grit
- 56505763 - AgLite Grit
- 56505764 - ProLite
- 56505765 - Prolene
- 56505766 - Union Mix
- 56505767 - MidGrit
- 56505768 - MidLite Grit

32" BRUSHES

- 56505830 - Short Trim Pad Holder
- 56505831 - Magna Grit
- 56505832 - Dyna Grit
- 56505833 - AgLite Grit
- 56505834 - ProLite
- 56505835 - Prolene
- 56505836 - Union Mix
- 56505837 - MidGrit
- 56505838 - MidLite Grit

DISC BRUSH APPLICATION GUIDE (SUGGESTION ONLY)

Application	46 Grit	80 Grit	180 Grit	240 Grit	500 Grit	Prolene	ProLite	Union Mix
Stripping:								
Concrete	X	X						
Terrazzo	X	X						
Ceramic/Quarry tile		X						
Vinyl tile		X						
General Scrubbing:								
Concrete	X	X	X	X		X		
Terrazzo			X	X	X	X		
Ceramic/Quarry tile			X	X	X	X		
Marble					X		X	
Vinyl tile			X		X	X		
Raised-rubber tile					X		X	
Polishing:								
Raised Disc Tile								X
Marble								X
Vinyl tile								X

We provide brushes and pad holders that will give you the best possible performance between machine and floor. Following are descriptions of the materials and their applications.

46 Grit Brush:	Most aggressive grit brush. Used primarily to clean heavy buildup on concrete floors in factories, or for heavy stripping of finish.
80 Grit Brush:	Medium aggressive grit brush. Good all-around brush for medium to heavy buildup removal. Can also be used for general stripping operations.
180 Grit Brush:	Least aggressive grit brush. Used for daily cleaning of hard-finished floors.
Polypropylene Brush:	Standard equipment brush. Low cost, yet effective in cleaning many common floor surfaces.
Stiff Nylon Brush:	Cleaning action similar to polypropylene. More durable and wear-resistant than polypropylene.
Soft Nylon Brush:	Least aggressive brush available. Used on soft-finish floors where a more aggressive brush would leave scratch marks, or in applications requiring very light cleaning.

24" BRUSHES

56314389 - Soft Nylon
 56314390 - Hard Nylon
 56314391 - Prolene
 56314392 - 180 Grit
 56314393 - 80 Grit
 56314394 - 46 Grit

28" BRUSHES

56412191 - Soft Nylon
 56412192 - Hard Nylon
 56412046 - Prolene
 56412193 - 180 Grit
 56412194 - 80 Grit
 56412195 - 46 Grit

26" BRUSHES

56314383 - Soft Nylon
 56314384 - Hard Nylon
 56314385 - Prolene
 56314386 - 180 Grit
 56314387 - 80 Grit
 56314388 - 46 Grit

32" BRUSHES

56407473 - Soft Nylon
 56407474 - Hard Nylon
 56407475 - Prolene
 56407476 - 180 Grit
 56407477 - 80 Grit
 56407478 - 46 Grit

CYLINDRICAL BRUSH APPLICATION GUIDE (SUGGESTION ONLY)

Application	46 Grit	80 Grit	180 Grit	Polypropylene	Stiff Nylon	Soft Nylon
Stripping:						
Concrete	X	X				
Terrazzo	X	X				
Ceramic/Quarry tile		X				
Vinyl tile		X				
General Scrubbing:						
Concrete	X	X	X	X	X	
Terrazzo			X	X	X	X
Ceramic/Quarry tile			X	X	X	X
Marble			X		X	X
Vinyl tile			X	X	X	X
Raised-rubber tile			X			X

Item	Ref. No.	Qty	Description	Item	Ref. No.	Qty	Description
Optional Kits				Optional Batteries			
**	56314753	1	Kit, On-Board Charger TSBUS2004-872	**	56391391	6	Battery, 6V, 305A/H
**	56314301	1	Kit, Seat Armrests	**	56206079	6	Battery, 6V, 235A/H
**	56314302	1	Kit, Warning Beacon	Optional Battery Chargers			
**	56314306	1	Kit, Right Side Broom	**	56395101	A/R	Battery Charger, 36VDC, Auto, 20Amp, 120VAC/60HZ
**	56314308	1	Kit, Scrub-N-Vac Tool W/Pump	**	56388502	A/R	Battery Charger, 36VDC, Auto, 25Amp, 120VAC/60HZ
**	56314312	1	Kit, Seatbelt	**	56388120	A/R	Battery Charger, 36VDC, Auto, 36Amp, 120VAC/60HZ
**	56314313	1	Kit, Headlight	**	56372190	A/R	Battery Charger, 36VDC, 20Amp, 230VAC/50HZ
**	56314338	1	Kit, Dual Vac Motor	**	56388119	A/R	Battery Charger, 36VDC, 36Amp, 230VAC/50HZ
**	56397453	1	Kit, Battery Fill Indicator	Accessories			
**	56314474	1	Kit, Deck 2400D	**	56409441	A/R	Programmer, 1311 User
**	56314475	1	Kit, Deck 2400C	**	56409823	A/R	Programmer Cable
**	56314476	1	Kit, Deck 2600D	** = Optional, Not Included			
**	56314477	1	Kit, Deck 2600C				
**	56314478	1	Kit, Deck 2810D				
**	56314479	1	Kit, Deck 2810C				
**	56314480	1	Kit, Deck 3210D				
**	56314481	1	Kit, Deck 3210C				
**	56316520	1	Kit, Deck BR 600S				
**	56316521	1	Kit, Deck BR 600SC				
**	56316522	1	Kit, Deck BR 700S				
**	56316523	1	Kit, Deck BR 700SC				
24" Squeegee Blade Kits							
**	56314054	1	Kit, Standard Squeegee Blade NOTE #1				
**	56314055	1	Kit, Linatex Squeegee Blade NOTE #1				
**	56314056	1	Kit, Neoprene Squeegee Blade NOTE #1				
26" & 28" Squeegee Blade Kits							
**	56314303	1	Kit, Standard Squeegee Blade NOTE #1				
**	56314304	1	Kit, Linatex Squeegee Blade NOTE #1				
**	56314305	1	Kit, Neoprene Squeegee Blade NOTE #1				
32" Squeegee Blade Kits							
**	56314060	1	Kit, Standard Squeegee Blade NOTE #1				
**	56314061	1	Kit, Linatex Squeegee Blade NOTE #1				
**	56314062	1	Kit, Neoprene Squeegee Blade NOTE #1				
24" Disk Deck Blade Kits (Before TSBUS2004-884)							
**	56314124	1	Kit, Gum Rubber 24 Disk NOTE #2				
**	56314170	1	Kit, Neoprene 24 Disk NOTE #2				
**	56314395	1	Kit, Linatex 24 Disk NOTE #2				
26" Disk Deck Blade Kits (Before TSBUS2004-884)							
**	56314125	1	Kit, Gum Rubber 26 Disk NOTE #2				
**	56314171	1	Kit, Neoprene 26 Disk NOTE #2				
**	56314396	1	Kit, Linatex 26 Disk NOTE #2				
28" Disk Deck Blade Kits (Before TSBUS2004-884)							
**	56314126	1	Kit, Gum Rubber 28 Disk NOTE #2				
**	56314172	1	Kit, Neoprene 28 Disk NOTE #2				
**	56314397	1	Kit, Linatex 28 Disk NOTE #2				
32" Disk Deck Blade Kits (Before TSBUS2004-884)							
**	56314127	1	Kit, Gum Rubber 32 Disk NOTE #2				
**	56314173	1	Kit, Neoprene 32 Disk NOTE #2				
**	56314398	1	Kit, Linatex 32 Disk NOTE #2				
24" Disk Deck Blade Kits (After TSBUS2004-884)							
**	56314911	1	Kit, Gum Rubber 24 Disk NOTE 2				
**	56314915	1	Kit, Linatex 24 Disk NOTE 2				
26" Disk Deck Blade Kits (After TSBUS2004-884)							
**	56314912	1	Kit, Gum Rubber 26 Disk NOTE 2				
**	56314916	1	Kit, Linatex 26 Disk NOTE 2				
28" Disk Deck Blade Kits (After TSBUS2004-884)							
**	56314913	1	Kit, Gum Rubber 28 Disk NOTE 2				
**	56314917	1	Kit, Linatex 28 Disk NOTE 2				
32" Disk Deck Blade Kits (After TSBUS2004-884)							
**	56314914	1	Kit, Gum Rubber 32 Disk NOTE 2				
**	56314918	1	Kit, Linatex 32 Disk NOTE 2				

NOTE #1: All squeegee blade kits include both front and rear squeegee blades.

NOTE #2: Disk Deck Blade Kits include required mounting fasteners (Rivet, Nylon Tree Push-In 56003263) and both deck and skirt assembly blades.

Austria (Sales Sub)

Nilfisk-Advance GmbH	Phone: +43
Voralberger Allee 46	1616 58 30 22
A-1230 Wien	Fax: +43
info@nilfisk-advance.at	1616 58 30 40
www.nilfisk-advance.at	

Belgium (Sales Sub)

Nilfisk-Advance NV/SA	Phone: +32
Doornveld Sphere Business Park	(0)2467 60 50
Industrie Asse 3, No. 11	Fax: +32
B-1731 Zellik-Asse	(0)2463 44 16
www.nilfisk-advance.be	

Czech Republic (Sales Sub)

Nilfisk-Advance s.r.o.	Phone: +420
Lysinská 44/1863	2 44 09 09 12
143 00 Praha - Modrany	+420
Czech Republic	2 44 09 09 21 4
	Fax: +420
	2 44 40 23 93

Denmark

Nilfisk-Advance A/S	Phone: +45
Sognevej 25	43 23 81 00
DK-2605 Brøndby	Fax: +45
mail@nilfisk-advance.dk	43 43 77 00
www.nilfisk-advance.com	

Denmark (Prod. Sub)

Gerni A/S	Phone: +45
Myntevej 2	89 12 22 00
DK-8900 Randers	Fax: +45
www.gerni.com	86 43 14 81

Denmark (Sales Sub)

Nilfisk-Advance Nordic A/S	Phone: +45
Sognevej 25A	43 23 40 50
Postbox 344	Fax: +45
DK-2605 Brøndby	43 23 40 60
kundeservice@nilfisk-advance.dk	
www.nilfisk-advance.dk	

France (Sales Sub)

Nilfisk-Advance S.A.	Phone: +33
27 avenue de la Baltique	1695 98 700
Villebon sur Yvette	Fax: +33
P.B. 246	1695 98 701
F-91944 Courtaboeuf Cedex	
info@nilfisk-advance.fr	
www.nilfisk-advance.fr	

Germany (Sales Sub)

Nilfisk-Advance AG	Phone: +49
Siemensstrasse 25-27	4101 3990
Postfach 1361	Fax: +49
D-25462 Rellingen	4101 39 91 91
info@nilfisk-advance.de	
www.nilfisk-advance.de	

Greece (Sales Sub)

Nilfisk-Advance A.E.	Tel.: +30
8, Thoukididou Str.	210 963 3443
Argioupoli	Fax: +30
Gr - 164 52 Athens	210 965 0975
Greece	

Holland (Sales Sub)

Nilfisk-Advance B.V.	Phone: +31
Camerastraat 9 (2e verdieping)	36 546 07 00
1322 BB Almere	Fax: +31
Postbus 60112	36 523 51 48
1320 AC Almere	
www.nilfisk-advance.nl	

Ireland (Sales Sub)

Nilfisk-Advance Limited	Phone: +35
28 Sandyford Office Park	3 12 94 38 38
Sandyford, Dublin 18	Fax: +35
Ireland	3 12 94 38 45

Italy (Prod & Sales Sub)

CFM SpA	Phone: +39
Nilfisk-Advance Div. Guardamiglio	0377 /414021
Localita Novella III	/45 1124
I-26862 Guardamiglio (Mi)	Fax: +39
	0377 51 443

Italy (Prod & Sales Sub)

CFM S.p.A.	Phone: +39
Via Porrettana 1991	059 973 0000
I-41059 Zocca (Modena)	Fax: +39
cfm@cfm.it	059 973 0099

Norway (Sales Sub)

Nilfisk-Advance AS	Phone: +47
Ulvenveien 89C	23 06 75 00
N-0581 Oslo	Fax: +47
	23 06 75 01

Poland (Sales Sub)

Nilfisk-Advance Sp.Z.O.O.	Phone: +48
05-800 Pruszków	22 738 37 50
ul. 3-go MAJA 8	Fax: +48
Poland	22 738 37 51

Portugal (Sales Sub)

Nilfisk-Advance, Lda.	Phone: +35
Sintra Business Park	121 911 2670
Zona Industrial Da Abrunheira	Fax: +35
Edificio 1, 1o A	121 911 2679
P-2710-089 Sintra	

Russia (Sales Sub)

Nilfisk-Advance LLC	Phone: 7
Vyatskaya str. 27, bld. 7	095 783 9602
127015 Moscow	Fax: +7
Russia	095 783 9603

Spain (Sales Sub)

Nilfisk-Advance S.A.	Phone: +34
Torre D'Ara	93 741 2400
Passeig del Rengle, 5 Pl.10	Fax: +34
E-08302 Mataró (Barcelona)	93 757 8020
nilfisk@nilfisk-advance.es	

Sweden (Sales Sub)

Nilfisk -Advance A/S	Phone: +46
Sjöbjörnsvägen 5	8555 94400
Box 44045	Fax: +46
S-100 73 Stockholm	8555 94430
info@nilfisk-advance.se	
www.nilfisk-advance.se	

Sweden (Prod.)

Nilfisk-Advance A/S	Phone: +46
Åmål Branch	5321 7500
Strömsbergsgatan	Fax: +46
Box 127	5321 7595
S-662 23 Åmål	

Switzerland (Sales Sub)

Nilfisk-Advance AG	Phone: +41
Ringsstrasse 19	71 92 38 444
Kirchberg/Industrie Stelzl	Fax: +41
CH-9500 Wil	71 92 35 283

www.nilfisk-advance.ch

UK (Sales Sub)

Nilfisk-Advance Limited	Phone: +44
Newmarket Road	1284 763163
Bury St. Edmunds	Fax: +44
UK-Suffolk IP33 3SR	1284 750 562

USA (Prod.)

Nilfisk-Advance Inc.	Phone: +1 763
14600 21.st Avenue North	745 3500
Plymouth, MN 55447-3408	Fax: +1 763
www.mn.nilfisk-advance.com	745 3718

USA (Sales Sub)

Nilfisk-Advance America Inc.	Phone: +1 610
300 Technology Drive	647 6420
Malvern, PA 19355	Fax: +1 610
www.pa.nilfisk-advance.com	647 6427

Canada (Sales Sub)

Nilfisk-Advance Canada Comp.	Phone: +1 905
396 Watline Avenue	712 3260
Mississauga, Ontario L4Z 1X2	Fax: +1 905
	712 3255

Australia (Sales Sub)

Nilfisk-Advance Pty. Ltd.	Phone: +61(0)2
48 Egerton Street	9648 2700
Silverwater, NSW 2128	Fax: +61(0)2
<i>Postal adresse:</i>	9648 2711
PO Box 6046	
Silverwater. NSW 1811	
info@nilfisk-advance.com.au	
www.nilfisk-advance.com.au	

China (Shenzhen)

Nilfisk-Advance (Shenzhen) Ltd	Phone: +86 755
Blok 3, Unit 130, 1001 Honghua Road	8359 7937 el.
Int. Commercial & Trade Center	8359 7939-42
Fuitian Free Trade Zone	Fax: +86 755
518038 Shenzhen	8359 1063
P.R. China	

China (Suzhou)

Nilfisk-Advance Professional	Phone: +86 512
Cleaning Equipment (Suzhou) Co. Ltd.	8918 5656
306 Su Hong Zhong Road, Build. 2	Fax: +86 512
Suzhou Industrial Park	8918 5666
215021 Suzhou	
P.R. China	

Hong Kong (Sales Sub)

Nilfisk-Advance Ltd.	Phone: +852
2001 HK Worsted Mills Ind'l Bldg.,	2427 5951
31-39 Wo Tong Tsui St.	Fax: +852
Kwai Chung, Hong Kong	2487 5828

Japan (Sales Sub)

Nilfisk-Advance Inc.	Phone: +8145
3-17-40-101 Chigasaki Higashi	942 7741
Tsuzuki-ku, Yokohama 224-0033	Fax: +8145
Japan	942 6545

Malaysia (Sales Sub)

Nilfisk-Advance Sdn Bhd	Phone: +60 3
No. 21, Jalan SS 25/41	7956 8188
Mayang Industrial Park	Fax: +60 3
47301 Petaling Jaya	7966 6828
Selangor, Malaysia	

New Zealand (Sales Sub)

Nilfisk-Advance Limited	Phone: +64(0)9
Danish House	525 0092
6 Rockridge Avenue	Fax: +64(0)9
Penrose 92-829	525 6440
Auckland1135	
<i>Postal adresse:</i>	
Private Bag 92 825	
Auckland	
New Zealand	

Singapore (Sales Sub)

Nilfisk-Advance Pte. Ltd.	Phone: + 65
22,Woodlands Industrial Park E1	6 7599100
Singapore 757740	Fax: +65
sales@nilfisk-advance.com.sg	7599133

Taiwan, ROC (Sales Sub)

Nilfisk-Advance Ltd.	Phone: +886
Taiwan Branch (H.K.)	2 2239 8812
1F, No. 193, Sec.2	Fax: +886
Xing Long Rd., Taipei	2 2239 8832
Taiwan, R.O.C.	

Thailand (Sales Sub)

Nilfisk-Advance Co. Ltd.	Phone: +66 2
89 Soi Chokechai-Ruammitr	275-5630
Viphavadee-Rangsit Road	Fax: +66 2
Ladyao, Jatuchak, Bangkok 10900	691-4079
Thailand	



www.nilfisk-advance.com

© 2005 Printed in USA