



# Electronic Service Manuals

This electronic document is provided as a service to our customers. We do not create the contents of the information contained in this document. Should you have detailed questions pertaining to the information contained in this document, you may contact Michco, or the manufacturer which provided the original information in this electronic deliverable. Michco's only part in this electronic deliverable was the electronic assembly process.

You may contact Michco through the following methods:  
Phone (517) 484-9312 or (800) 331-3339 MI, OH, IN only  
2011 N. High St. -- Lansing, Michigan -- 48906  
Fax: (517) 484-9836  
Email: [CustServ@Michco.com](mailto:CustServ@Michco.com)  
Web site: [www.Michco.Com](http://www.Michco.Com)  
Parts Web site: [www.FloorMachineParts.Com](http://www.FloorMachineParts.Com)

Order Parts on Line at:  
**[www.FloorMachineParts.Com](http://www.FloorMachineParts.Com)**

Directly to Parts & Service:  
By Email: **[Shop@Michco.com](mailto:Shop@Michco.com)**  
By Fax: (517) 702-2041  
By Voice: Use numbers above.

**Serving the Cleaning Industry Since 1922**

Notice: All copyrighted material remains property of original owners, all trademarks are property of respective owners. Manuals are subject to Manufacturer's reproduction limitations. Originals or reproductions were provided by manufacturers through a request. We make no warranty as to the correctness of information provided in this document and you assume all risk.

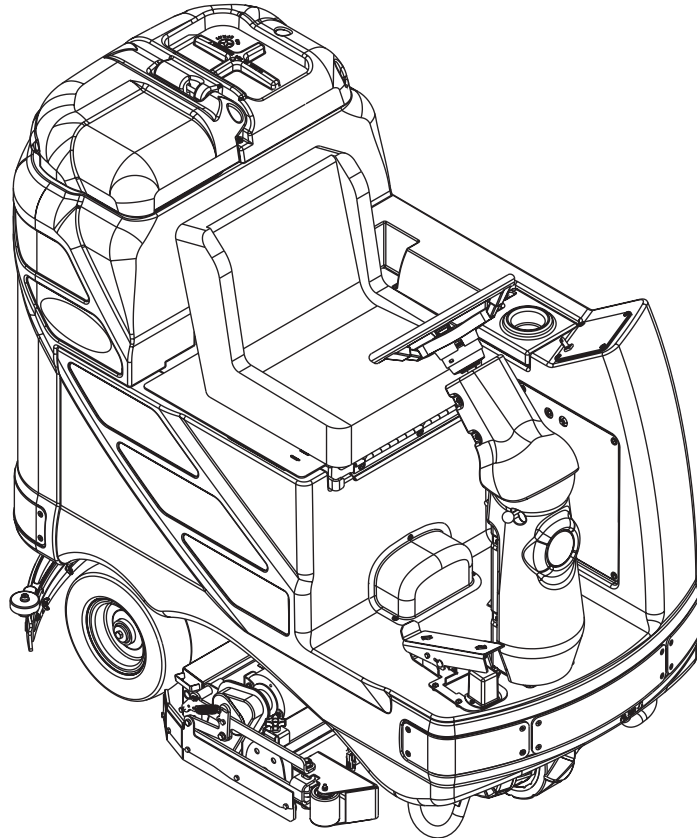
# Adgressor™

---

## BR 850S, 850SC, 950S, 950SC

---

## BR 1050S, 1050SC



---

### PARTS LIST

Advance MODELS 56314661(2820D), 56314662(3220D), 56314663(2820C), 56314664(3220C)  
56314826(3520D), 56314827(3820D), 56314828(3520C), 56314829(3820C)  
Nilfisk MODELS 56314674(850S), 56314675(850SC), 56314830(950S), 56314831(1050S),  
56314832(950SC), 56314833(1050SC)



**Nilfisk  
Advance**  
*setting standards*

3/04 revised 2/05 FORM NO. 56042446  
BOOK E SECTION 13.6.1

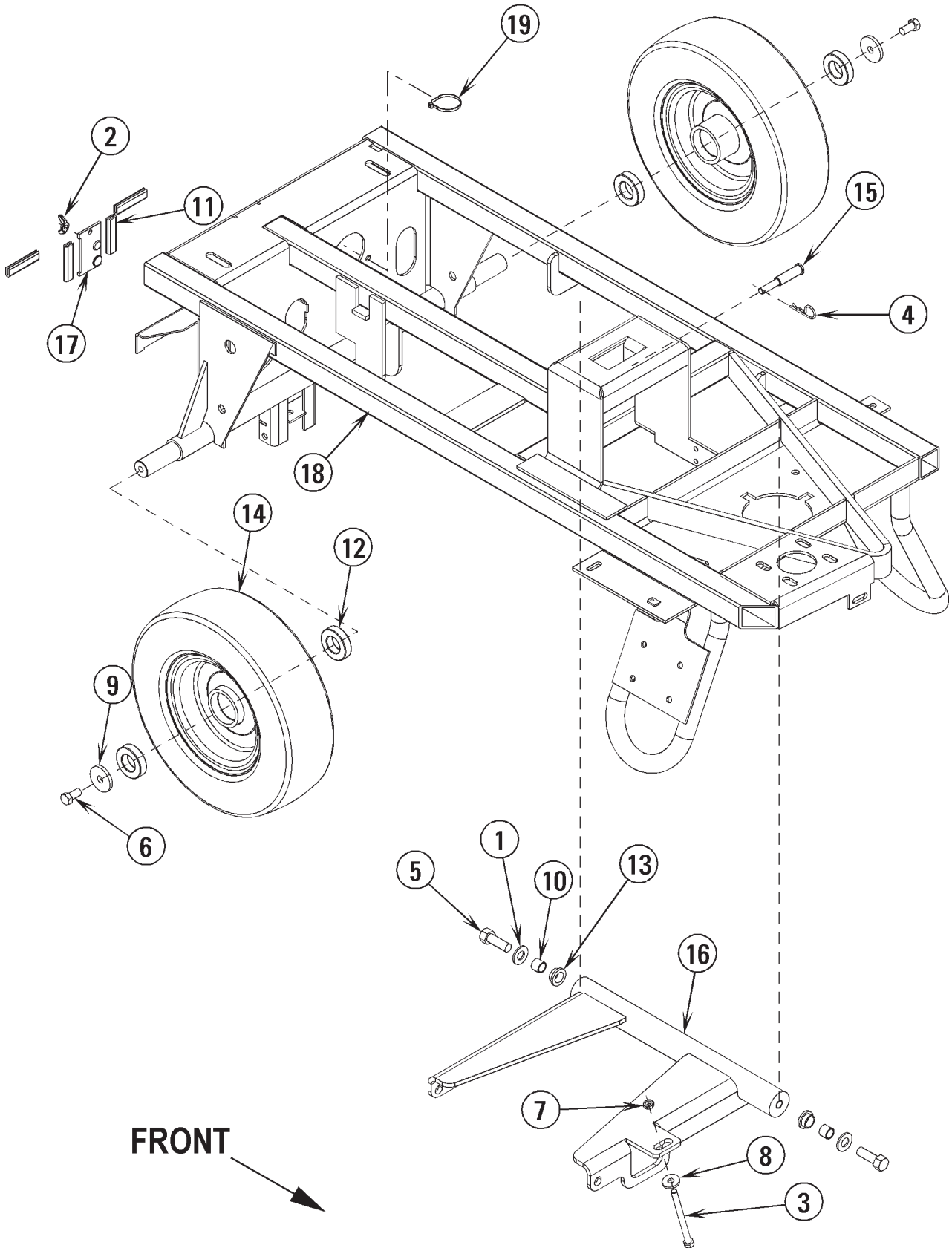


DESCRIPTION	PLAN
Chassis System .....	E-13.6.1-3
Decal System.....	E-13.6.1-5
Drive & Brake Pedal Assemblies .....	E-13.6.1-7
Electrical Panel Assembly.....	E-13.6.1-9
Front Wheel Assembly.....	E-13.6.1-11
Recovery System.....	E-13.6.1-13
Scrub System-Cylindrical (28" & 32").....	E-13.6.1-15
Scrub System-Cylindrical (35" & 38").....	E-13.6.1-17
Scrub System-Disk (28" & 32") .....	E-13.6.1-19
Scrub System-Disk (35" & 38") .....	E-13.6.1-21
Skirt Assemblies-Cylindrical (All Models).....	E-13.6.1-23
Skirt Assemblies-Disk (28" & 32" / before TSBUS2004-884).....	E-13.6.1-25
Skirt Assemblies-Disk (28" & 32" / after TSBUS2004-884).....	E-13.6.1-27
Skirt Assemblies-Disk (35" & 38") .....	E-13.6.1-29
Solution System .....	E-13.6.1-31
Squeegee Assembly .....	E-13.6.1-33
Squeegee System.....	E-13.6.1-35
Steering Column Assembly.....	E-13.6.1-37
Optional Light Kits.....	E-13.6.1-39
Dual Vac Motor Kit .....	E-13.6.1-41
Onboard Charger Kit.....	E-13.6.1-43
Right Side Broom Kit.....	E-13.6.1-45
Scrub-N-Vac Tool Kit.....	E-13.6.1-47
56314834 – Kit, Deck 2820D .....	E-13.6.1-48
56314835 – Kit, Deck 2820C .....	E-13.6.1-49
56314836 – Kit, Deck 3220D .....	E-13.6.1-50
56314837 – Kit, Deck 3220C .....	E-13.6.1-51
56314838 – Kit, Deck 3520D .....	E-13.6.1-52
56314839 – Kit, Deck 3520C .....	E-13.6.1-53
56314840 – Kit, Deck 3820D .....	E-13.6.1-54
56314864 – Kit, Deck 3820C .....	E-13.6.1-55
56316524 – Kit, Deck BR 850S .....	E-13.6.1-56
56316525 – Kit, Deck BR 850SC.....	E-13.6.1-57
Wiring Diagram .....	E-13.6.1-59
Brush Selector Guide-Disk.....	E-13.6.1-60
Brush Selector Guide-Cylindrical.....	E-13.6.1-61
Optional Kits And Accessories .....	E-13.6.1-62

#### WHEN ORDERING PARTS

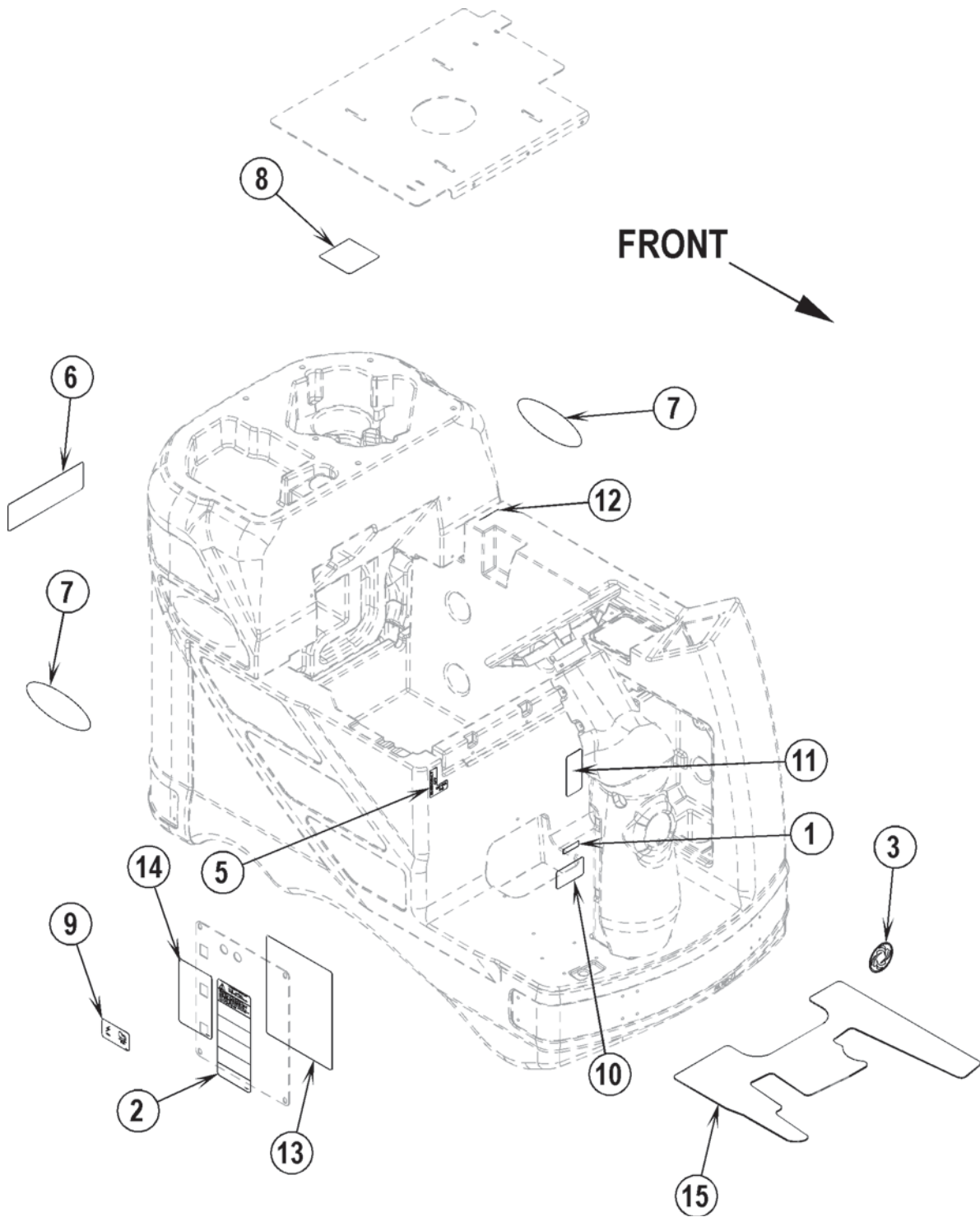
- \* Use the numbers from the "Ref. No." columns in this parts list.
- \* Specify the model and serial number of the machine.
- \* Use the space below to record the model and serial number for future reference.

Model \_\_\_\_\_ Serial No. \_\_\_\_\_

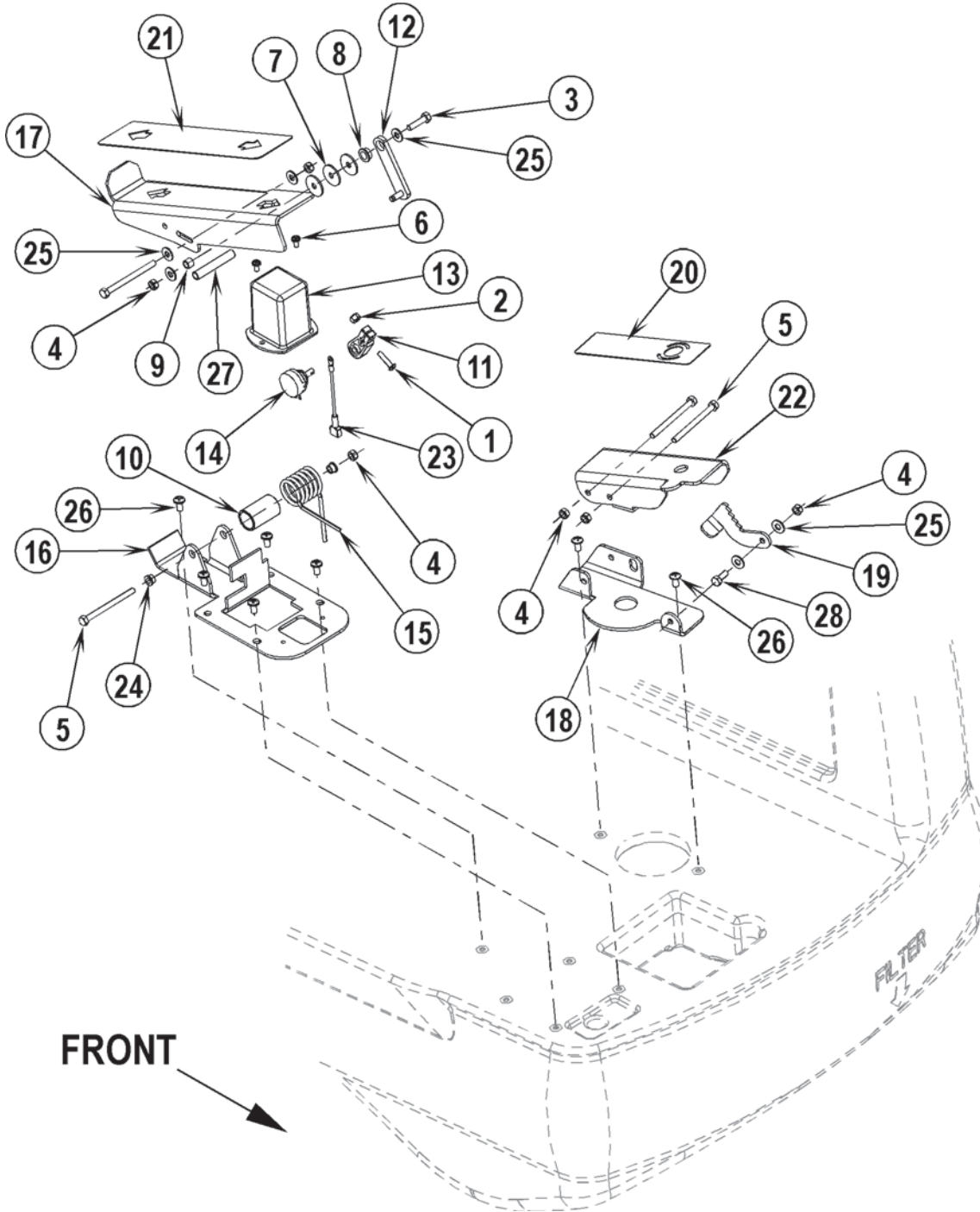


Item	Ref. No.	Qty	Description
1	56001879	3	Wsh, Flt SAE 1/2
2	56002084	1	Nut, Wing 1/4-20
3	56002461	1	Scr, Hex Thd To Hd 5/16-18 x 4.00
4	56002959	1	Pin, Cotter Hair
5	56003412	2	Scr, Hex Nyl Loc M12-1.75 x 35mm
6	56003442	2	Scr, Hex Nyl Loc M10-1.50 x 20mm
7	56009086	1	Nut, Hex Jam 5/16-18
8	56009122	2	Wsh, Flt .344 x .938 x .125
9	56367117	2	Wsh, Flt .406 x 1.50 x .1875
10	56367206	2	Bushing
11	56412122	4	Trim Edge
12	56412243	4	Bearing, Ball
13	56420160	2	Bearing, Flange
14	56314033	2	Wheel, 12 x 3.5
15	56314152	1	Pin, Actuator
16	56314495	1	Linkage, Arm Weld't.
17	56314537	1	Squeegee Stop Bracket
18	56314627	1	Chassis Weld't.
19	56478246	1	Tie, Cable
*	56478246	5	Cable Tie
*	56477613	13	Cable Tie

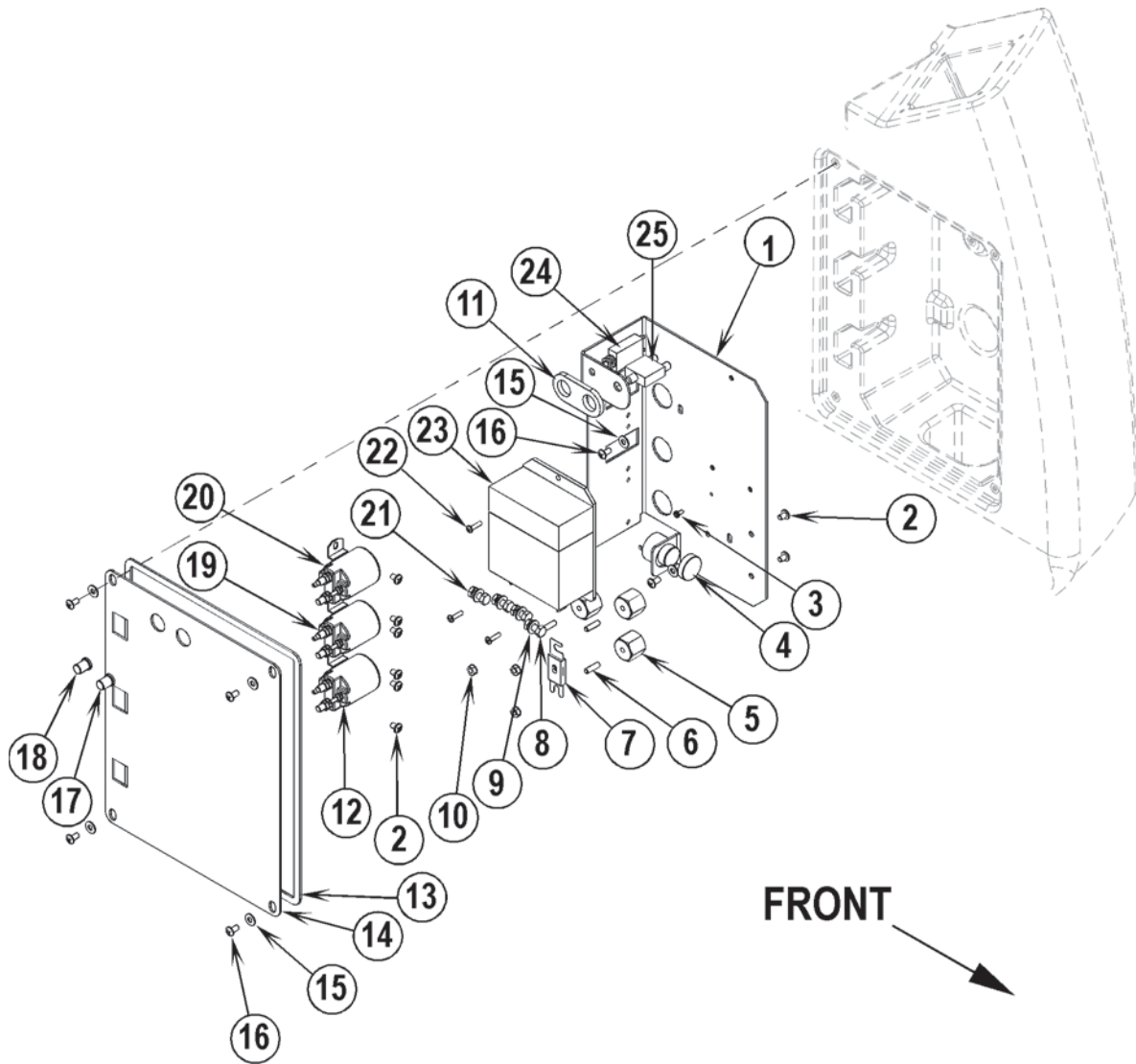
\* = Not Shown



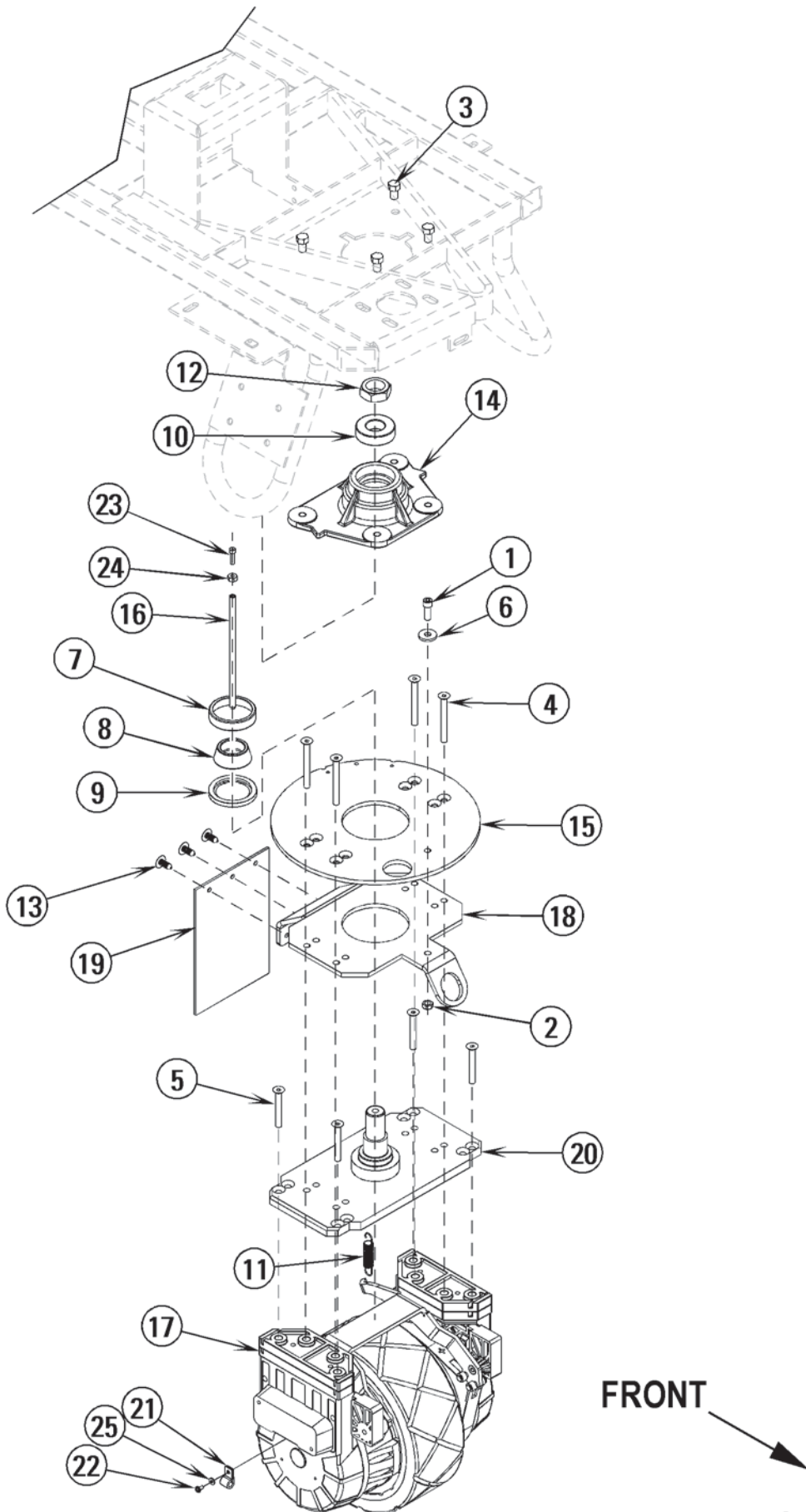
Item	Ref. No.	Qty	Description
1	56014450	1	Decal, Patent Number
2	56014601	1	Decal, Caution
3	56016348	1	Decal, Logo
4	N/A		
5	56015179	1	Decal, Emergency
6	56015229	1	Decal, Advance ( <b>Advance</b> )
7	56015230	2	Decal, Adgressor ( <b>Advance</b> )
	56015241	2	Decal, BR 850S ( <b>Nilfisk</b> )
	56015243	2	Decal, BR 950S ( <b>Nilfisk</b> )
	56015258	2	Decal, BR 1050S ( <b>Nilfisk</b> )
8	56015242	1	Decal, Battery Wiring
9	56016328	1	Decal, Circuit Breaker
10	56016401	1	Decal, Parking Brake
11	56016402	1	Decal, Solution Flow ( <b>Before TSBUS2004-874</b> )
	56015445	1	Decal, Solution Flow ( <b>After TSBUS2004-874</b> )
12	56016421	1	Decal, Logo 2 Inch
13	56015231	1	Decal, Ladder Diagram
14	56016407	1	Decal, Smart Solutions ( <b>Advance</b> )
	56016455	1	Decal, ECO Solutions ( <b>Nilfisk</b> )
15	56314875	1	Floor Mat ( <b>Nilfisk</b> )



Item	Ref. No.	Qty	Description
1	56002733	1	Scr, Pan Phil 10-24 x .88
2	56002768	1	Nut, Hex Nyl Loc 10-24
3	56003358	1	Scr, Hex M6-1.00 x 25mm
4	56003403	6	Nut, Hex Nyl Loc M6-1.00
5	56003428	4	Scr, Hex M6-1.00 x 75mm
6	56009030	2	Scr, Pan Phil Thd Form 10-24 x .38
7	56009060	3	Wsh, Fit SS .260 x 1.000 x .074
8	56324505	1	Bearing, Flange
9	56368989	1	Bushing
10	56409378	1	Spacer, Nylon
11	56409471	1	Lever, Throttle
12	56409610	1	Link Weldment
13	56412094	1	Housing, Potentiometer
14	56454740	1	Potentiometer, 5K (R1)
15	56314037	1	Spring, Torsion
16	56314038	1	Bracket, Foot Pedal
17	56314039	1	Foot Pedal
18	56314121	1	Bracket, Brake
19	56314122	1	Lock, Brake
20	56314138	1	Mat, Pedal
21	56314176	1	Mat, Pedal
22	56314463	1	Pedal Weldment
23	56412331	1	Wire Assy.
24	56756318	2	Bearing, Flange
25	56002098	6	Wsh, Fit SAE 1/4
26	56003119	7	Scr, Pan Phil SS 1/4-20 x .50
27	56314561	1	Bushing
28	56003174	1	Scr, Hex Thd to Hd M6-1.0 x 16mm



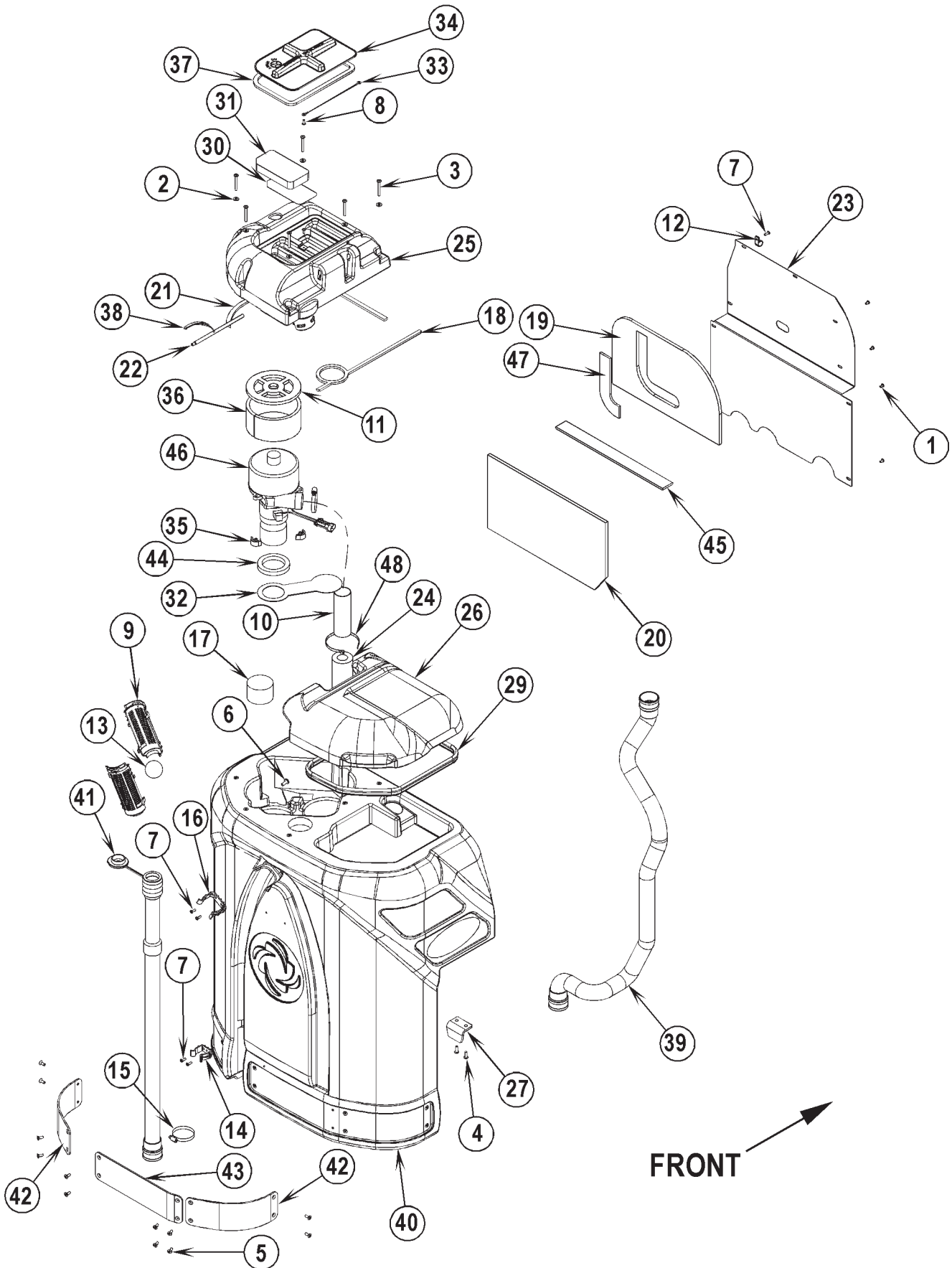
Item	Ref. No.	Qty	Description
1	56314668	1	Electrical Panel
2	56002462	9	Scr, Pan Phil 1/4-20 x .38
3	56009051	1	Scr, Pan Phil Thd Form 8-32 x .38
4	56412177	1	Horn / Backup Alarm (H1)
5	56469858	3	Standoff, Insulated
6	56009020	3	Stud
7	56412089	1	Fuse, 150 Amp
8	56001862	4	Scr, Hex Hd 5/16-18 x .50
9	56009052	4	Wsh, Int SHPRF 5/16
10	56002561	3	Nut, Hex W/SHPRF 1/4-20
11	56407193	1	Gasket
12	56395450	1	Contactor ( <b>Vac Motor / K2</b> )
13	56407169	1	Gasket
14	56314669	1	Cover, Electrical
15	56002098	6	Wsh, Fit SAE 1/4
16	56003119	6	Scr, Pan Phil SS 1/4-20 x .50
17	56459369	1	Boot, Reset Button
18	56459367	1	Boot, Reset Button
19	56395450	1	Contactor ( <b>Brush Drive / K1</b> )
20	56395450	1	Contactor ( <b>Wheel Drive / K3</b> )
21	56009086	4	Nut, Hex Jam 5/16-18
22	56001993	3	Scr, Pan Phil 10-24 x .50
23	56314667	1	Controller, Speed
24	56387316	1	Circuit Breaker, 10 Amp ( <b>Control Circuit / F3</b> )
25	56454429	1	Circuit Breaker, 70 Amp ( <b>Wheel Drive / F2</b> )



Item	Ref. No.	Qty	Description
1	56002158	1	Scr, Soc Hd 5/16-18 x .88
2	56002826	1	Nut, Hex Nyl Loc-Thin 5/16-18
3	56003040	4	Scr, Hex Hd Loc 3/8-16 x .62
4	56003273	4	Scr, Soc Hd M8-1.25 x 70mm
5	56003274	4	Scr, Soc Hd M8-1.25 x 55mm
6	56009122	1	Wsh, Fit .344 x .938 x .125
7	56158143	1	Bearing Cup
8	56158151	1	Bearing Cone
9	56171081	1	Seal, Shaft
10	56378380	1	Bearing, Ball
11	56481699	1	Spring
12	56003220	1	Nut, Hex Nyl Loc-Thin 1-14 UNF
13	56003263	3	Rivet, Nylon Tree Push-In
14	56314032	1	Block, Bearing
15	56314116	1	Plate, Steering
16	56314157	1	Rod, Brake
17	56314635	1	Motor / Drive Wheel Assy (M3)
*	56314289	1	Brake Band
18	56314278	1	Plate, Splash Guard
19	56314283	1	Splash Guard
20	56314085	1	Spindle Weldment
21	56305317	1	Clamp, P
22	56003653	1	Scr, Pan Phil M4 x 8
23	56003659	1	Scr, Button Soc SS 10-24 x .75
24	56009293	1	Nut, Hex Machine SS 10-24
25	56002006	1	Wsh, Fit SAE #6

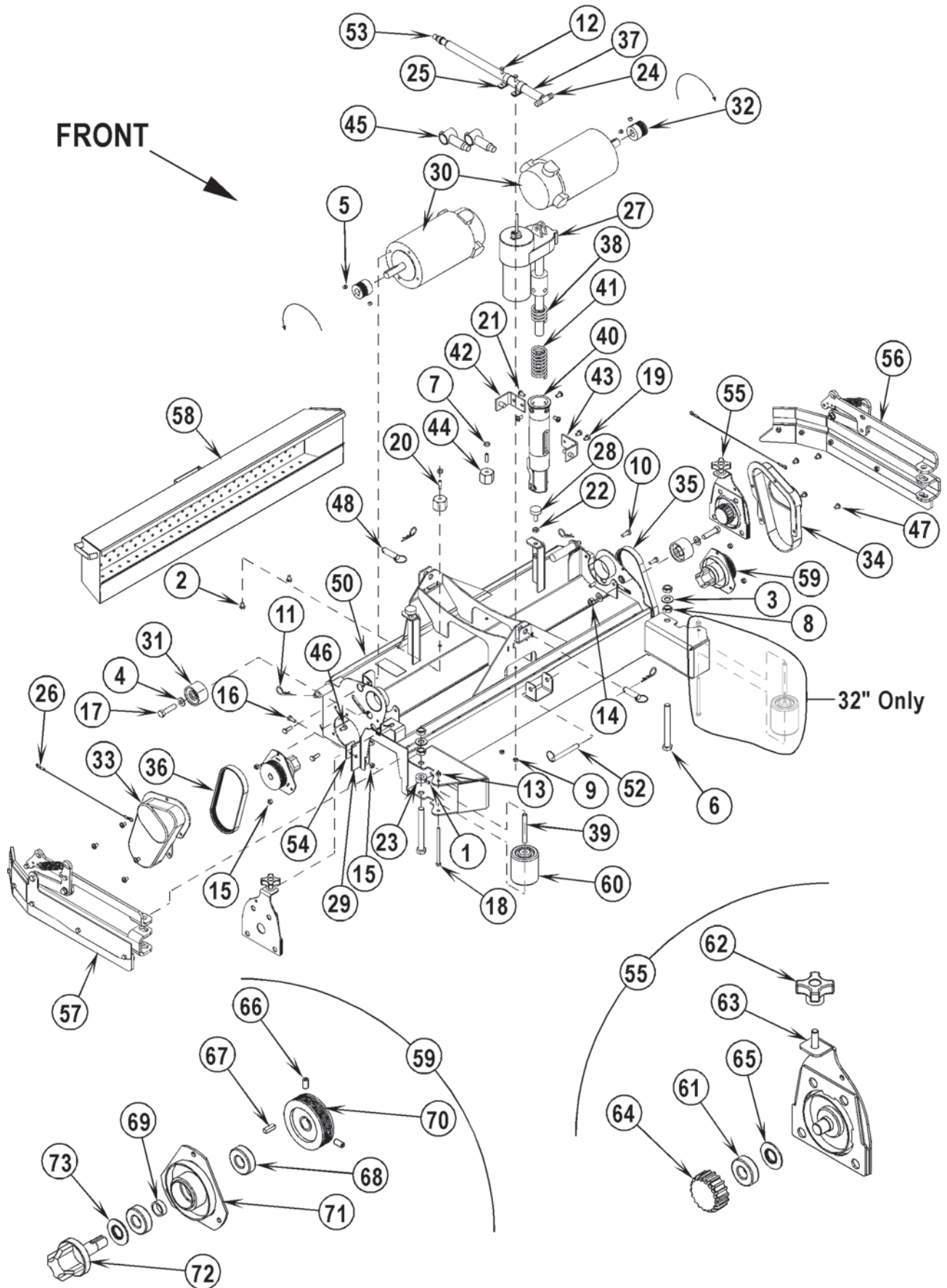
\* = Not Shown

\*\* = Optional



Item	Ref. No.	Qty	Description
1	56002043	8	Scr, Pan Phil 10-24 x .38
2	56002098	7	Wsh, Flt SAE 1/4
3	56002108	6	Scr, Pan Phil 1/4-20 x 2.00
4	56002507	4	Scr, Pan Phil 1/4-20 x .75
5	56002760	12	Scr, Flt Phil 1/4-20 x .62
6	56002793	1	Scr, Pan Phil 5/16-18 x .75
7	56002896	5	Scr, Pan Phil SS 10-24 x .62
8	56009191	2	Scr, Pan Phil Plastite 10-14 x .50
9	56324497	2	Cage, Float
10	56458457	1	Hose, Vac 2.00 x 6.00
11	56314704	1	Gasket
12	56385564	1	Clamp, P
13	56391690	1	Ball, Float
14	56407361	1	Clamp, Plastic
15	56440213	3	Clamp, Hose SAE #32
16	56212236	1	Clamp, Plastic
17	56314098	2	Foam Cylinder
18	56314099	1	Gasket
19	56314100	1	Muffler, Top Panel
20	56314101	1	Muffler, Bottom Panel
21	56314103	1	Gasket
22	56314115	1	Pin, Cover Pivot
23	56314749	1	Cover, Exhaust
24	56391807	1	Foam, Acoustical
25	56314201	1	Cover, Vac Motor
26	56314203	1	Lid, Recovery
27	56314220	2	Tank Mount Bracket
28	56314251	1	Harness, Vac
29	56314371	1	Gasket
30	56314372	1	Screen, Filter
31	56314373	1	Filter
32	56314376	1	Plate, Separator
33	56314400	1	Wire Rope, 9 Inch
34	56314461	1	Lid, Vac Filter
35	56314484	3	Mount, Vibration
36	56314488	1	Muffler, Vac
37	56314491	1	Gasket
38	56314509	1	Spring
39	56314533	1	Vac Hose Assy.
40	56314620	1	Tank, Recovery
41	56314621	1	Drainhose
42	56314639	2	Bumper, Rear
43	56314656	1	Bumper, Rear Middle
44	56314760	1	Gasket, Vacuum Duct
45	56314706	1	Foam, Sound
46	56397228	1	Motor, Vac 36VDC (M5)
*	56212223	1	Carbon Brush Set
47	56314705	1	Foam, Sound
48	56477613	1	Tie, Cable

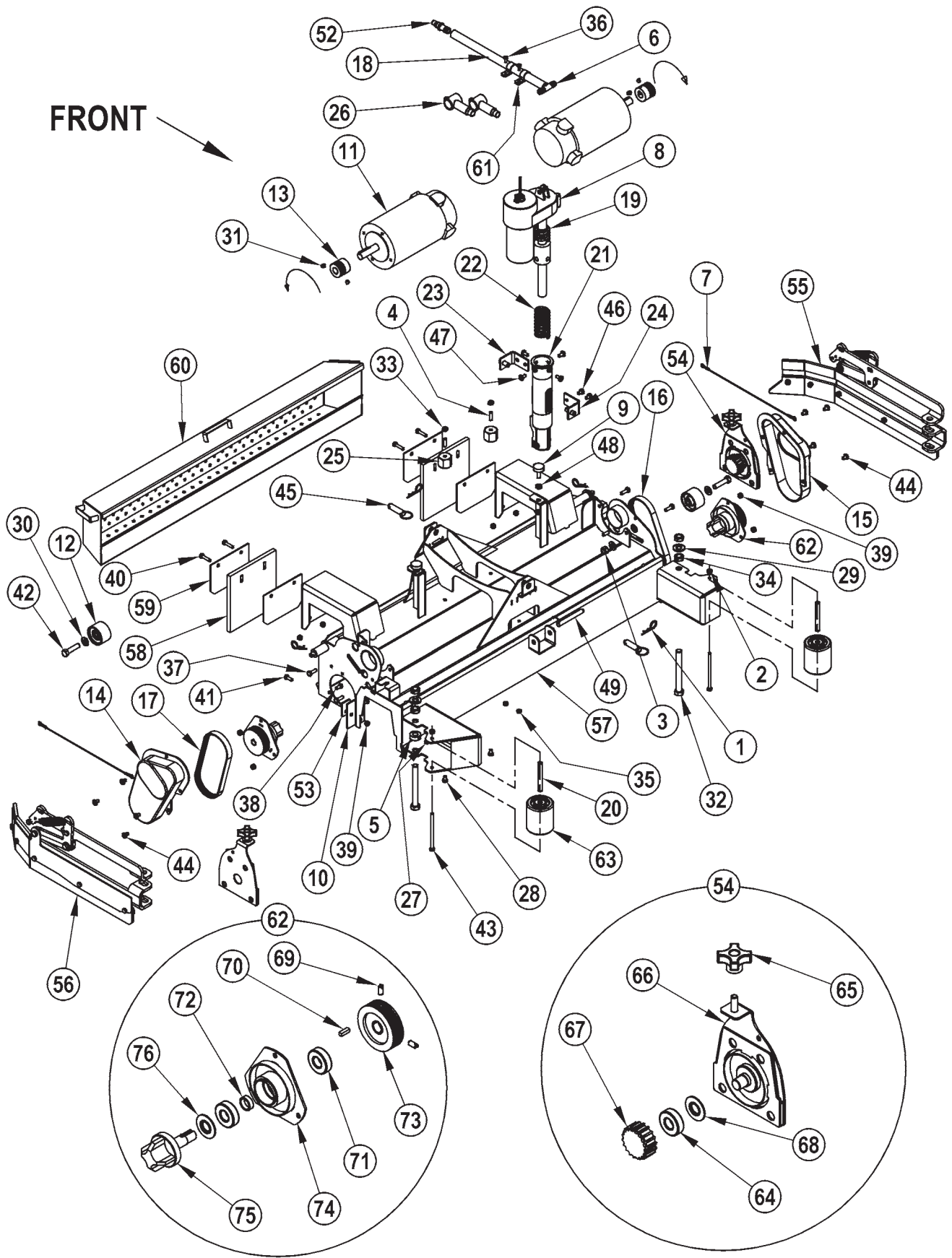
\* = Not Shown



Item	Ref. No.	Qty	Description	Item	Ref. No.	Qty	Description
1	56001841	2	Scr, Soc Set Loc 1/4-20 x .25	31	56407432	2	Idler, Belt
2	56001861	2	Scr, Hex Hd 1/4-20 x .38	32	56407433	2	Sheave, Poly-V
3	56001879	2	Wsh, Flt SAE 1/2	33	56407434	1	Guard, Right Belt
4	56002063	4	Wsh, Flt SAE 3/8	34	56407435	1	Guard, Left Belt
5	56002086	4	Scr, Soc Set Loc 5/16-18 x .25	35	56407465	1	Belt, Poly V 180J6
6	56002484	2	Scr, Hex Hd 1/2-13 x 4.50	36	56407466	1	Belt, Poly V 190J6
7	56002561	2	Nut, Hex W/ Shprf 1/4-20	37	56409462	1	Hose, Spiral
8	56002843	4	Nut, Hex Nyl Loc-Thin 1/2-13	38	56412071	1	Compression Spring
9	56002849	2	Nut, Hex Nyl Loc-Thin SS 10-24	39	56412176	1	Bushing (qty of 2 on 32")
10	56002948	6	Scr, Hex Hd Loc 1/4-20 x .75	40	56412262	1	Housing, Spring
11	56002959	4	Pin, Cotter Hair	41	56420018	1	Compression Spring
12	56002987	2	Scr, Hex Hd SS 10-24 x .50	42	56420019	1	Nut Retainer
13	56003403	1	Nut, Hex Nyl Loc M6-1.00 (qty of 2 on 32")	43	56420020	1	Nut Retainer
14	56003406	2	Nut, Hex Nyl Loc M10-1.50	44	56469858	2	Standoff, Insulated
15	56003426	8	Nut, Hex Nyl Loc SS M6 x 1.0	45	56493357	2	Insulator, Terminal
16	56003431	2	Scr, Hex Hd SS M6-1.0 x 16mm	46	56003211	6	Scr, Hex Hd SS M6-1.0 x 12mm
17	56003491	2	Scr, Hex M10-1.50 x 40mm	47	56003603	8	Scr, Pan Phil Thd Form 1/4-20 x .38
18	56003492	1	Scr, Hex M6-1.0 x 95mm (qty of 2 on 32")	48	56003671	2	Pin, Ring .50 x 1.25
19	56009019	2	Scr, Hex Thd Form 1/4-20 x .38	49	NA	1	Accessory Plate Data Plate
20	56009020	2	Stud	50	56314086	1	Housing Weld't, 28"
21	56009062	4	Scr, Pan Phil Thd Form 1/4-20 x .50		56314089	1	Housing Weld't, 32"
22	56009086	4	Nut, Hex Jam 5/16-18	51	56314254	1	Harness, Brush Motor (Not Shown)
23	56152811	2	Collar	52	56314294	1	Pin, Hitch Cotterless
24	56262549	1	Tee ,Barb	53	56314310	1	Coupling, Quick Disconnect, Male (only before TSBUS2005-888)
25	56328064	2	Clamp, P				
26	56330391	2	Wire Rope, 12 Inch	54	56314436	2	Strap
27	56393303	1	Lift Actuator, Brush (M1)	55	56314445	2	Idler End Assy (61-65)
*	56470433	1	Carbon Brush Kit	56	56314648	1	Left Skirt Assy
*	56393790	2	Limit Switch	57	56314649	1	Right Skirt Assy
*	56388520	1	Plastic Nut	58	56397442	1	Hopper Weld't, 28"
28	56401783	2	Leveler		56397443	1	Hopper Weld't, 32"
29	56407391	2	Blade	59	56407559	2	Drive End Assy (66-73)
30	56407431	2	Motor, 36VDC, .75HP (M7 & M8)	60	56412459	1	Wheel (qty of 2 on 32")
*	56417489	1	Armature	61	56106070	1	Bearing, Ball
*	56407490	1	Bearing	62	56407303	1	Knob
*	56407492	1	Brush Cap Assy	63	56314442	1	Idler Bearing Plate Weld't.
*	56407493	4	Carbon Brush Assy	64	56407551	1	Hub
*	56407494	4	Brush Cover Cap	65	56407558	1	Washer, Bearing
				66	56002119	2	Scr, Soc Set Loc 1/4-20 x .50
				67	56003237	1	Key, Sq. .19 x .62
				68	56106070	2	Bearing, Ball
				69	56407389	1	Spacer
				70	56407442	1	Sheave, Poly-V
				71	56407556	1	Bearing Plate Weld't.
				72	56407557	1	Spindle
				73	56407558	1	Washer, Bearing

\* = Not Shown

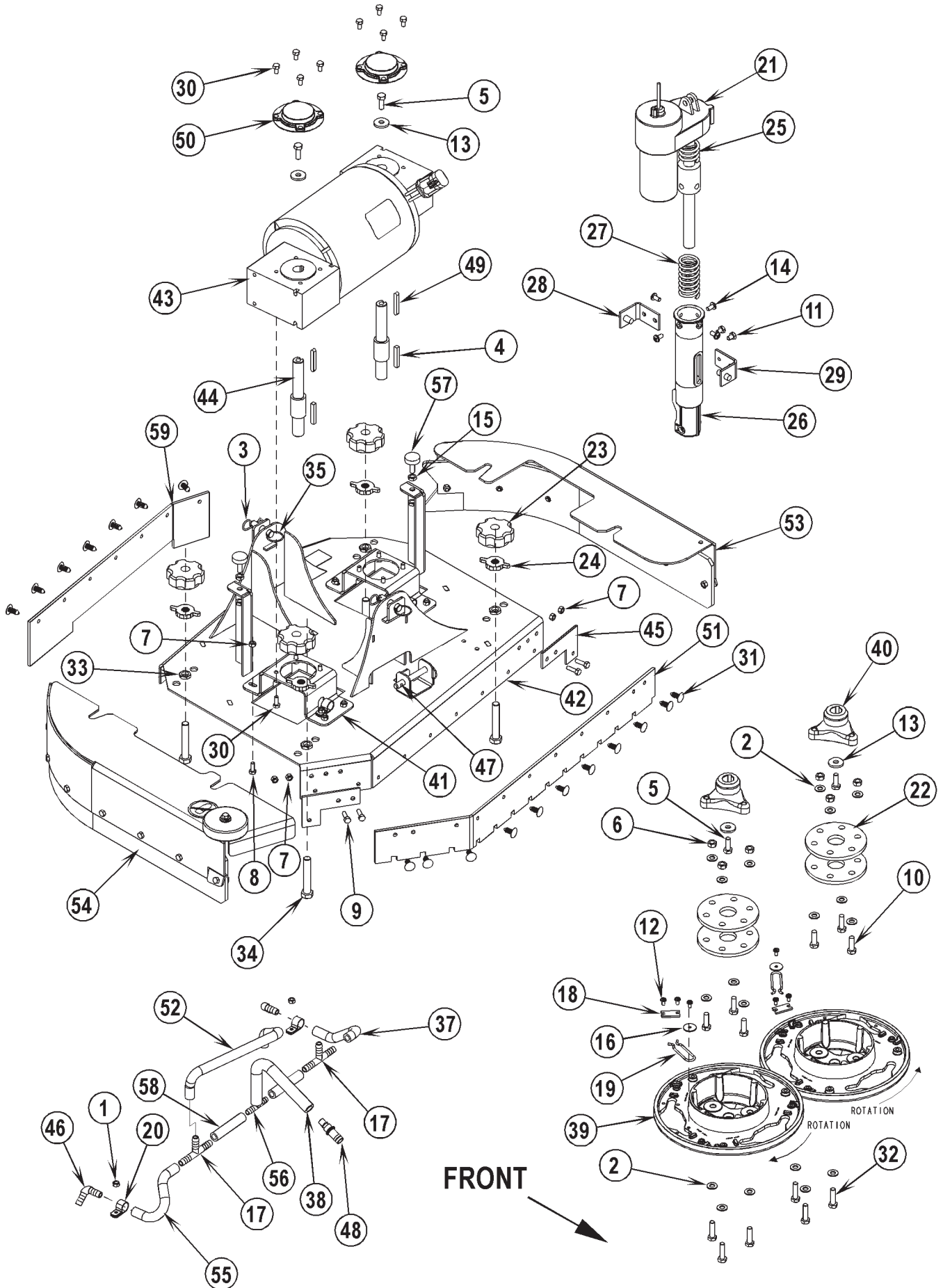
NOTE: See "BRUSH SELECTOR GUIDE" at back of manual for available scrub brushes.



Item	Ref. No.	Qty	Description	Item	Ref. No.	Qty	Description
1	56002959	4	Pin, Cotter Hair	31	56002086	4	Scr, Soc Set Loc 5/16-18 x .25
2	56003403	2	Nut, Hex Nyl Loc M6-1.00	32	56002484	2	Scr, Hex Hd 1/2-13 x 4.50
3	56003406	2	Nut, Hex Nyl Loc M10-1.50	33	56002561	2	Nut, Hex W/ Shprf 1/4-20
4	56009020	2	Stud	34	56002843	4	Nut, Hex Nyl Loc-Thin 1/2-13
5	56152811	2	Collar	35	56002849	2	Nut, Hex Nyl Loc-Thin SS 10-24
6	56262549	1	Tee, Barb	36	56002900	2	Scr, Pan Phil SS 10-24 x .50
7	56330391	2	Wire Rope, 12 Inch	37	56002948	6	Scr, Hex Hd Loc 1/4-20 x .75
8	56393303	1	Actuator, Motor (M1)	38	56003211	6	Scr, Hex Hd SS M6-1.0 x 12mm
*	56470433	1	Carbon Brush Kit	39	56003426	12	Nut, Hex Nyl Loc SS M6 x 1.0
*	56393790	2	Limit Switch	40	56003430	4	Scr, Hex Hd SS 6-1.0 x 25mm
*	56388520	1	Plastic Nut	41	56003431	2	Scr, Hex Hd SS M6-1.0 x 16mm
9	56401783	2	Leveler	42	56003491	2	Scr, Hex M10-1.50 x 40mm
10	56407391	2	Blade	43	56003492	2	Scr, Hex M6-1.0 x 95mm
11	56407431	2	Motor, 36VDC, .75 HP (M7 & M8)	44	56003603	8	Scr, Pan Phil Thd Form 1/4-20 x .38
*	56417489	1	Armature	45	56003671	2	Pin, Ring .50 x 1.25
*	56407490	1	Bearing	46	56009019	2	Scr, Hex Thd Form 1/4-20 x .38
*	56407492	1	Brush Cap Assy	47	56009062	4	Scr, Pan Phil Thd Form 1/4-20 x .50
*	56407493	4	Carbon Brush Assy	48	56009086	4	Nut, Hex Jam 5/16-18
*	56407494	4	Brush Cover Cap	49	NA	1	Accessory Plate Data Plate
12	56407432	2	Idler, Belt	50	56314254	1	Harness, Brush Motor (Not Shown)
13	56407433	2	Sheave, Poly-V	51	56314294	1	Pin, Hitch Cotterless
14	56407434	1	Guard, Right Belt	52	56314310	1	Coupling, Quick Disconnect, Male (only before TSBUS2005-888)
15	56407435	1	Guard, Left Belt	53	56314436	2	Strap
16	56407465	1	Belt, Poly V 180J6	54	56314445	2	Idler End Assy (64-68)
17	56407466	1	Belt, Poly V 190J6	55	56314648	1	Left Skirt Assy
18	56409462	1	Hose, Spiral	56	56314649	1	Right Skirt Assy
19	56412071	1	Compression Spring	57	56314773	1	Housing Weld't-35
20	56412176	2	Bushing		56314808	1	Housing Weld't-38
21	56412262	1	Housing, Spring	58	56314825	2	Blade
22	56420018	1	Compression Spring	59	56314867	4	Strap
23	56420019	1	Nut Retainer	60	56314870	1	Hopper Weld't-35
24	56420020	1	Nut Retainer		56314869	1	Hopper Weld't-38
25	56469858	2	Standoff, Insulated	61	56328064	2	Clamp, P
26	56493357	2	Insulator, Terminal	62	56407559	2	Drive End Assy (69-76)
27	56001841	2	Scr, Soc Set Loc 1/4-20 x .25	63	56412459	2	Wheel
28	56001861	2	Scr, Hex Hd 1/4-20 x .38	64	56106070	1	Bearing, Ball
29	56001879	2	Wsh, Fit SAE 1/2	65	56407303	1	Knob
30	56002063	4	Wsh, Fit SAE 3/8	66	56314442	1	Idler Bearing Plate Weld't.
				67	56407551	1	Hub
				68	56407558	1	Washer, Bearing
				69	56002119	2	Scr, Soc Set Loc 1/4-20 x .50
				70	56003237	1	Key, Sq. .19 x .62
				71	56106070	2	Bearing, Ball
				72	56407389	1	Spacer
				73	56407442	1	Sheave, Poly-V
				74	56407556	1	Bearing Plate Weld't.
				75	56407557	1	Spindle
				76	56407558	1	Washer, Bearing

\* = Not Shown

NOTE: See "BRUSH SELECTOR GUIDE" at back of manual for available scrub brushes.



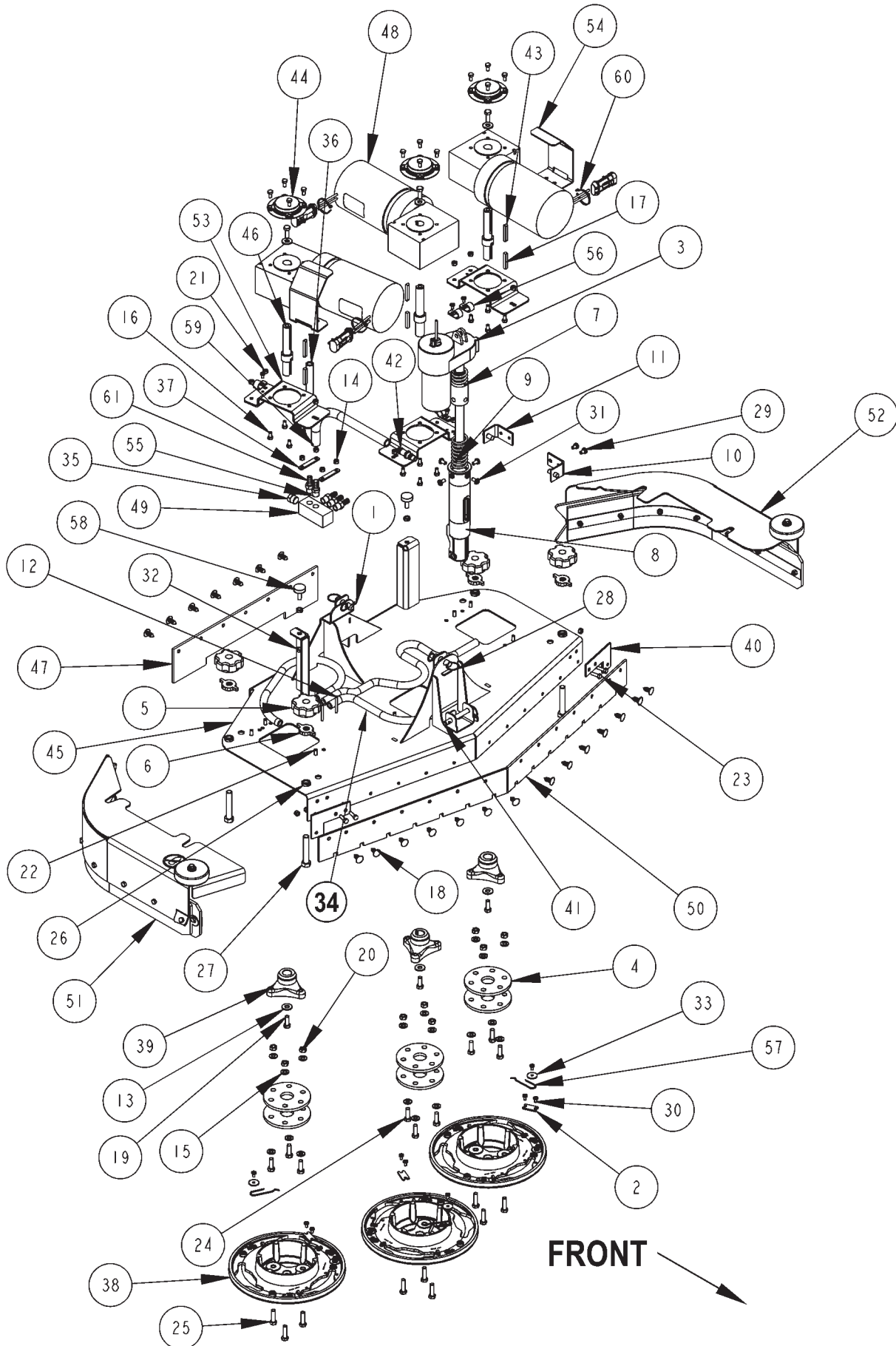
Item	Ref. No.	Qty	Description	Item	Ref. No.	Qty	Description
1	56002768	2	Nut, Hex Nyl Loc 10-24	44	56314218	2	Shaft, Hub Mount
2	56002938	18	Wsh, Fit SAE SS 5/16	45	56314261	2	Skirt Bracket, Forward (28")
3	56002959	4	Pin, Cotter Hair	46	56314272	2	Barbed Elbow 90
4	56003246	2	Key, Sq .25 x 1.62	47	56314294	1	Pin, Hitch Cotterless
5	56003335	4	Scr Hex Loc SS 5/16-18 x .88	48	56314310	1	Coupling, Quick Disconnect, Male (only before TSBUS2005-888)
6	56003405	6	Nut, Hex Nyl Loc SS M8 x 1.25	49	56314359	2	Key, 6mm Sq
7	56003426	12	Nut, Hex Nyl Loc SS M6 x 1.0	50	56314499	2	Cover, Gearbox
8	56003431	8	Scr, Hex Hd SS M6-1.0 x 16mm	51	56314554	1	Blade, Forward, Linatex 28
9	56003443	4	Scr, Hex Hd SS M6-1.00 x 20mm (28")	56314550	1	Blade, Forward, Neoprene 28	
10	56003477	6	Scr, Hex Loc SS M8-1 x 25mm	56314146	1	Blade, Forward, Gum Rubber 28	
11	56009019	2	Scr, Hex Thd Form 1/4-20 x .38	56314555	1	Blade, Forward, Linatex 32	
12	56009030	6	Scr, Pan Phil Thd Form 10-24 x .38	56314551	1	Blade, Forward, Neoprene 32	
13	56009057	4	Wsh, Fit Harden .344 x 1.000 x .120/.135	56314343	1	Blade, Forward, Gum Rubber 32	
14	56009062	4	Scr, Pan Phil Thd Form 1/4-20 x .50	52	56412189	1	Hose, Spiral .375
15	56009086	4	Nut, Hex Jam 5/16-18	53	56314646	1	Skirt Assembly Left 28" (Before TSBUS2004-884)
16	56009096	2	Wsh, Fit .193 x .875 x .060	56314897	1	Skirt Assembly Left 28" (After TSBUS2004-884)	
17	56249280	2	Tee, Barb	56314645	1	Skirt Assembly Left 32" (Before TSBUS2004-884)	
18	56366455	2	Plate, Stop	56314898	1	Skirt Assembly Left 32" (After TSBUS2004-884)	
19	56366463	2	Spring Retainer	54	56314647	1	Skirt Assembly Right (Before TSBUS2004-884)
20	56385564	2	Clamp, P	56314896	1	Skirt Assembly Right (After TSBUS2004-884)	
21	56393303	1	Actuator, Motor (M1)	55	56392277	1	Tube, Solution
*	56470433	1	Carbon Brush Kit	56	56397300	1	Tee, Barb
*	56393790	2	Limit Switch	57	56401783	2	Leg Leveler 5/16-18
*	56388520	1	Plastic Nut	58	56412187	2	Hose, Spiral, .375
22	56407053	4	Thermoid Disk	59	56314544	1	Blade, Rear, Linatex 28
23	56407114	4	Knob	56314542	1	Blade, Rear, Neoprene 28	
24	56407334	4	Knob	56314137	1	Blade, Rear, Gum Rubber 28	
25	56412071	1	Compression Spring	56314545	1	Blade, Rear, Linatex 32	
26	56412262	1	Housing, Spring	56314543	1	Blade, Rear, Neoprene 32	
27	56420018	1	Compression Spring	56314342	1	Blade, Rear, Gum Rubber 32	
28	56420019	1	Nut Retainer				<b>28" Disk Deck Blade Kits (Before TSBUS2004-884)</b>
29	56420020	1	Nut Retainer	**	56314126	1	Kit, Gum Rubber 28 Disk NOTE 2
30	56003211	16	Scr, Hex Hd SS M6-1.0 x 12mm	**	56314172	1	Kit, Neoprene 28 Disk NOTE 2
31	56003263	18	Rivet, Nylon Tree Push-In (.25)	**	56314397	1	Kit, Linatex 28 Disk NOTE 2
32	56003639	6	Scr, Hex Hd SS M8-1.25 x 30mm				<b>32" Disk Deck Blade Kits (Before TSBUS2004-884)</b>
33	56003657	4	Nut Hex Jam SS M12-1.75	**	56314127	1	Kit, Gum Rubber 32 Disk NOTE 2
34	56003658	4	Scr Hex Thd To Hd SS M12-1.75 x 70mm	**	56314173	1	Kit, Neoprene 32 Disk NOTE 2
35	56003671	2	Pin, Ring .50 x 1.25	**	56314398	1	Kit, Linatex 32 Disk NOTE 2
36	56100764	1	Accessory Plate Data Plate				<b>28" Disk Deck Blade Kits (After TSBUS2004-884)</b>
37	56249682	1	Tube, Solution	**	56314913	1	Kit, Gum Rubber 28 Disk NOTE 2
38	56262180	1	Tube Spiral .375	**	56314917	1	Kit, Linatex 28 Disk NOTE 2
39	56314030	2	Brush Holder				<b>32" Disk Deck Blade Kits (After TSBUS2004-884)</b>
40	56314031	2	Hub, Drive	**	56314914	1	Kit, Gum Rubber 32 Disk NOTE 2
41	56314053	2	Bracket, Motor	**	56314918	1	Kit, Linatex 32 Disk NOTE 2
42	56314081	1	Weld't, Disk Deck 28"				
	56314090	1	Weld't, Disk Deck 32"				
43	56314141	1	Motor Gearbox Assembly (28")				
	56314335	1	Motor Gearbox Assembly (32")				
*	56314359	2	Key, 6mm Square				
*	56314499	2	Cover, Gearbox				
*	56314560	2	Gearbox				
*	56314580	1	Bearing (Fan End)				
*	56314581	1	Bearing (Brush End)				
*	56314582	1	Brush Ring				
*	56314583	4	Carbon Brush				
*	56314584	1	Safety Hook				

\* = Not Shown

\*\* = Optional

NOTE 1: See "BRUSH SELECTOR GUIDE" at back of manual for available scrub brushes.

NOTE 2: Disk Deck Blade Kits include the required mounting fasteners (Rivet, Nylon Tree Push-In 56003263) and both deck &amp; skirt assembly blades.



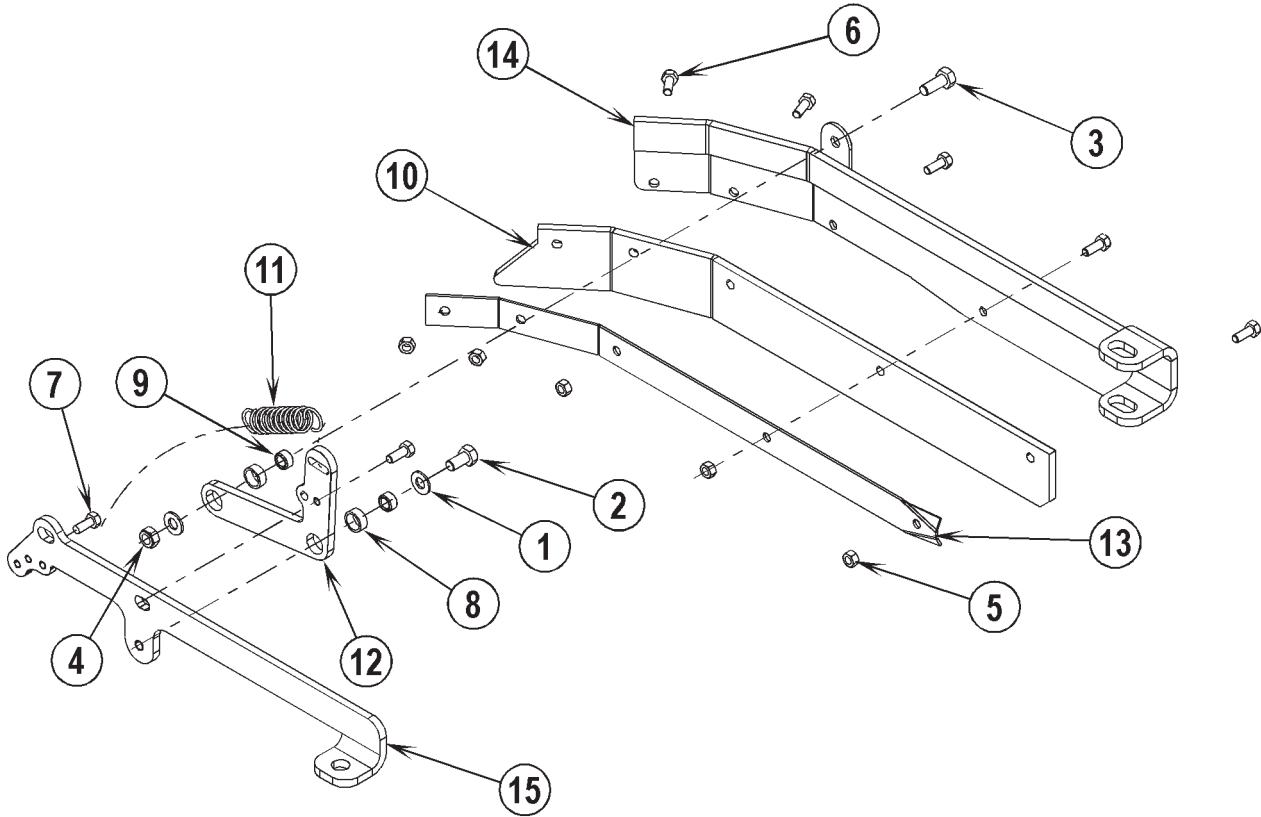
Item	Ref. No.	Qty	Description	Item	Ref. No.	Qty	Description
1	56002959	2	Pin, Cotter Hair	36	56302015	1	Hose, Spiral .375
2	56366455	3	Plate, Stop	37	56304601	2	Plate
3	56393303	1	Actuator, Motor (M1)	38	56314030	3	Brush Holder
*	56470433	1	Carbon Brush Kit	39	56314031	3	Hub, Drive
*	56393790	2	Limit Switch	40	56314261	2	Skirt Bracket, Forward (38")
*	56388520	1	Plastic Nut	41	56314294	1	Pin, Hitch Cotterless
4	56407053	6	Thermoid Disk	42	56314310	1	Coupling, Quick Disconnect, Male (only before TSBUS2005-888)
5	56407114	4	Knob	43	56314359	3	Key, 6mm Sq
6	56407334	4	Knob	44	56314499	3	Cover, Gearbox
7	56412071	1	Compression Spring	45	56314683	1	Weldment, Deck
8	56412262	1	Housing, Spring	46	56314687	3	Shaft, Hub Mount
9	56420018	1	Compression Spring	47	56314690	1	Blade, Rear Linatex
10	56420019	1	Nut Retainer		56314856	1	Blade, Rear Neoprene
11	56420020	1	Nut Retainer	48	56314789	3	Motor Gearbox Assembly (M7, M8, M10)
12	56002020	4	Scr, Pan Phil 10-24 x 1.75	*	56314785	A/R	Gearbox, Replacement
13	56002220	6	Wsh, Fit Std 5/16	*	56314784	A/R	Motor, Replacement
14	56002768	4	Nut, Hex Nyl Loc 10-24	*	56314786	A/R	Kit, Carbon Brush (1 kit per motor)
15	56002938	18	Wsh, Fit SAE SS 5/16	49	56314790	1	Manifold, Solution
16	56003211	24	Scr, Hex Hd SS M6-1.0 x 12mm	50	56314689	1	Blade, Front Linatex (35")
17	56003246	3	Key, Sq .25 x 1.62		56314854	1	Blade, Front Neoprene (35")
18	56003263	21	Rivet, Nylon Tree Push-In (.25)		56314795	1	Blade, Front Linatex (38")
19	56003335	6	Scr Hex Loc SS 5/16-18 x .88		56314855	1	Blade, Front Neoprene (38")
20	56003405	9	Nut, Hex Nyl Loc SS M8 x 1.25	51	56314820	1	Skirt Assembly Right
21	56003426	13	Nut, Hex Nyl Loc SS M6 x 1.0	52	56314821	1	Skirt Assembly Left
22	56003431	9	Scr, Hex Hd SS M6-1.0 x 16mm	53	56314868	3	Bracket, Motor
23	56003443	4	Scr, Pan Phil M6-1.00 x 20mm (38")	54	56314902	2	Bracket, Motor Guard
24	56003477	9	Scr, Hex Loc SS M8-1 x 25mm	55	56373456	1	Barb, Adapter 1/2 x 1/4npt
25	56003639	9	Scr, Hex Hd SS M8-1.25 x 30mm	56	56385564	4	Clamp, P
26	56003657	4	Nut Hex Jam SS M12-1.75	57	56397081	3	Spring Retainer
27	56003658	4	Scr Hex Thd To Hd SS M12-1.75 x 70mm	58	56401783	2	Leg Leveler 5/16-18
28	56003671	2	Pin, Ring .50 x 1.25	59	56409462	1	Hose, Spiral .500
29	56009019	2	Scr, Hex Thd Form 1/4-20 x .38	60	56478246	3	Tie, Cable
30	56009030	13	Scr, Pan Phil Thd Form 10-24 x .38	61	56900034	4	Barb, Adapter 3/8 X 1/4NPT
31	56009062	4	Scr, Pan Phil Thd Form 1/4-20 x .50				<b>35" Disk Deck Blade Kit</b>
32	56009086	4	Nut, Hex Jam 5/16-18	**	56314847	1	Kit, Neoprene 35 Disk <b>NOTE 2</b>
33	56009096	3	Wsh, Fit .193 x .875 x .060	**	56314846	1	Kit, Linatex 35 Disk <b>NOTE 2</b>
34	56057580	3	Hose, Spiral .375				<b>38" Disk Deck Blade Kits</b>
35	56261421	1	Plug, Hex Pipe	**	56314849	1	Kit, Neoprene 38 Disk <b>NOTE 2</b>
				**	56314848	1	Kit, Linatex 38 Disk <b>NOTE 2</b>

\* = Not Shown

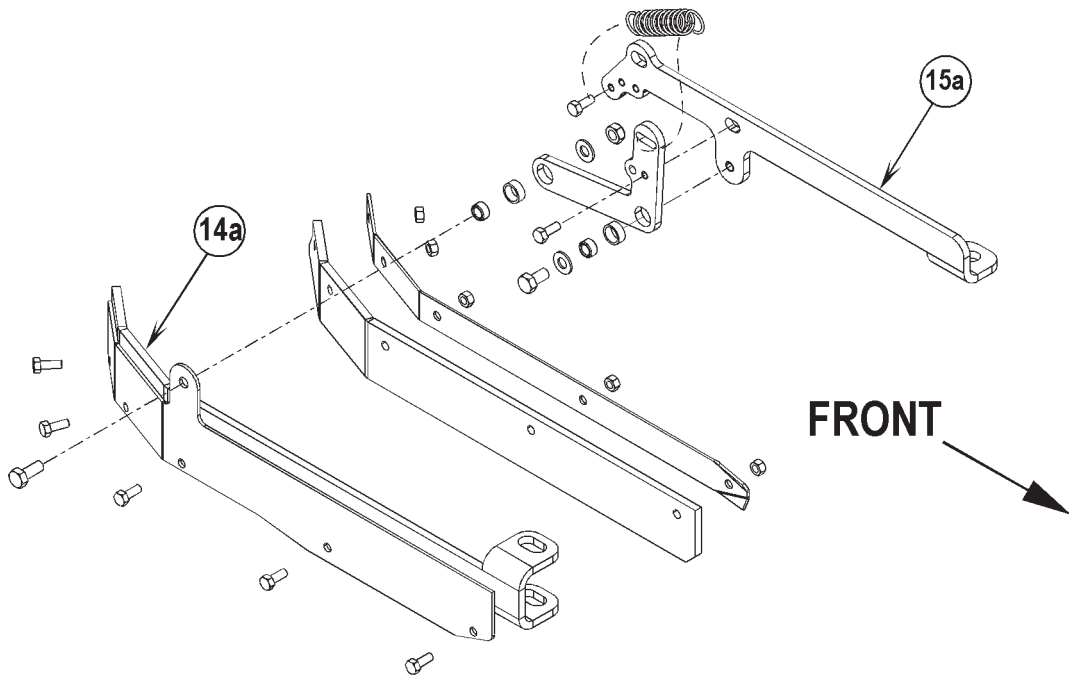
\*\* = Optional

**NOTE 1:** See "BRUSH SELECTOR GUIDE" at back of manual for available scrub brushes.**NOTE 2:** Disk Deck Blade Kits include the required mounting fasteners (Rivet, Nylon Tree Push-In 56003263) and both deck & skirt assembly blades.

56314648-LEFT SKIRT ASSEMBLY



56314649-RIGHT SKIRT ASSEMBLY

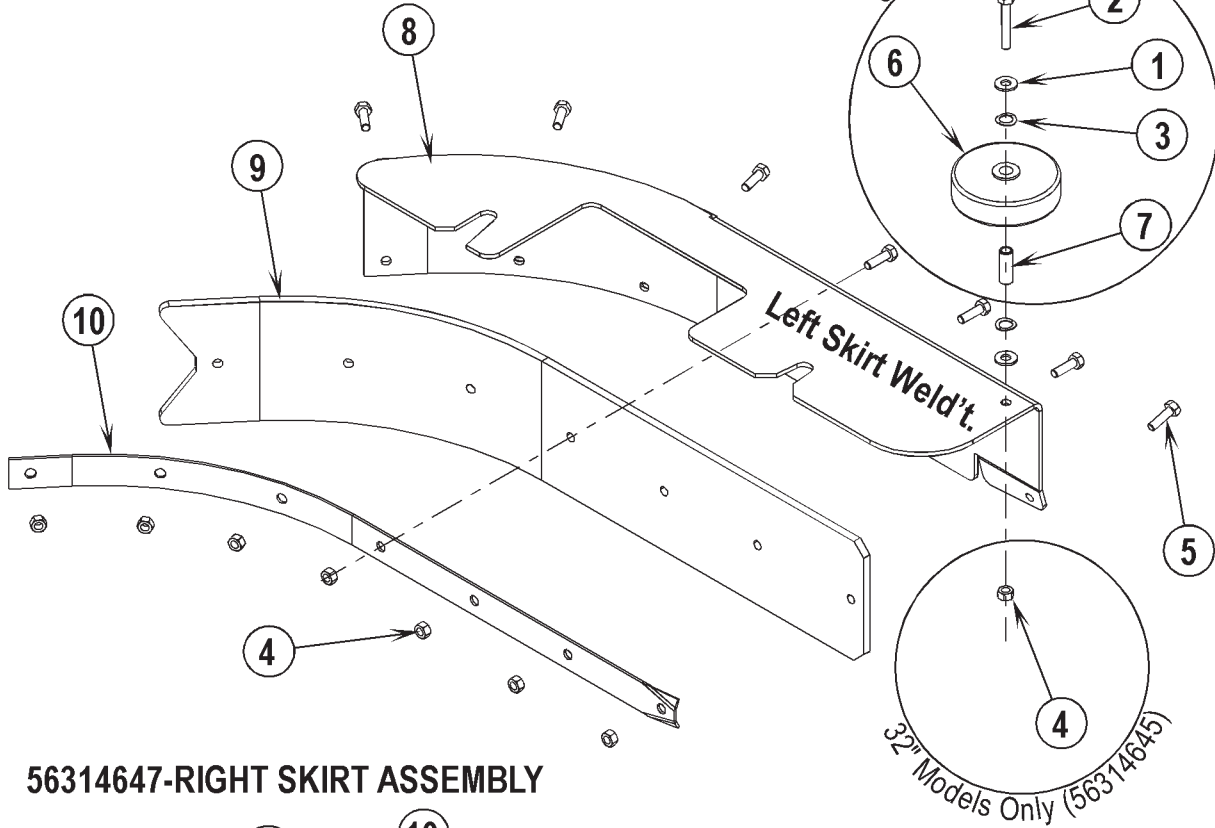


Item	Ref. No.	Qty	Description
	56314648	1	Left Skirt Assembly
	56314649	1	Right Skirt Assembly
1	56001939	2	Wsh, Fit SAE 5/16
2	56003178	1	Scr, Hex M8-1.25 x 16mm
3	56003179	1	Scr, Hex Thd To Hd M8-1.25 x 20mm
4	56003389	1	Nut, Hex Nyl Loc M8-1.25
5	56003426	5	Nut, Hex Nyl Loc SS M6-1.00
6	56003431	6	Scr, Hex Hd SS M6-1.00 x 16mm
7	56003441	1	Scr, Hex Nyl Loc M6-1.00 x 15mm
8	56185263	2	Bearing, Sleeve
9	56320595	2	Bushing, .32 x .50 x .28
10	56410335	1	Skirt, Linatex
**	56407447	1	Skirt, Gum Rubber
**	56407392	1	Skirt, Neoprene
11	56470672	1	Spring, Extension
12	56314435	1	Arm, Mount
13	56314437	1	Retainer, Skirt
14	56314439	1	Skirt Bracket Weld't, Left
14a	56314438	1	Skirt Bracket Weld't, Right
15	56314440	1	Bracket, Mount, Left
15a	56314441	1	Bracket, Mount, Right

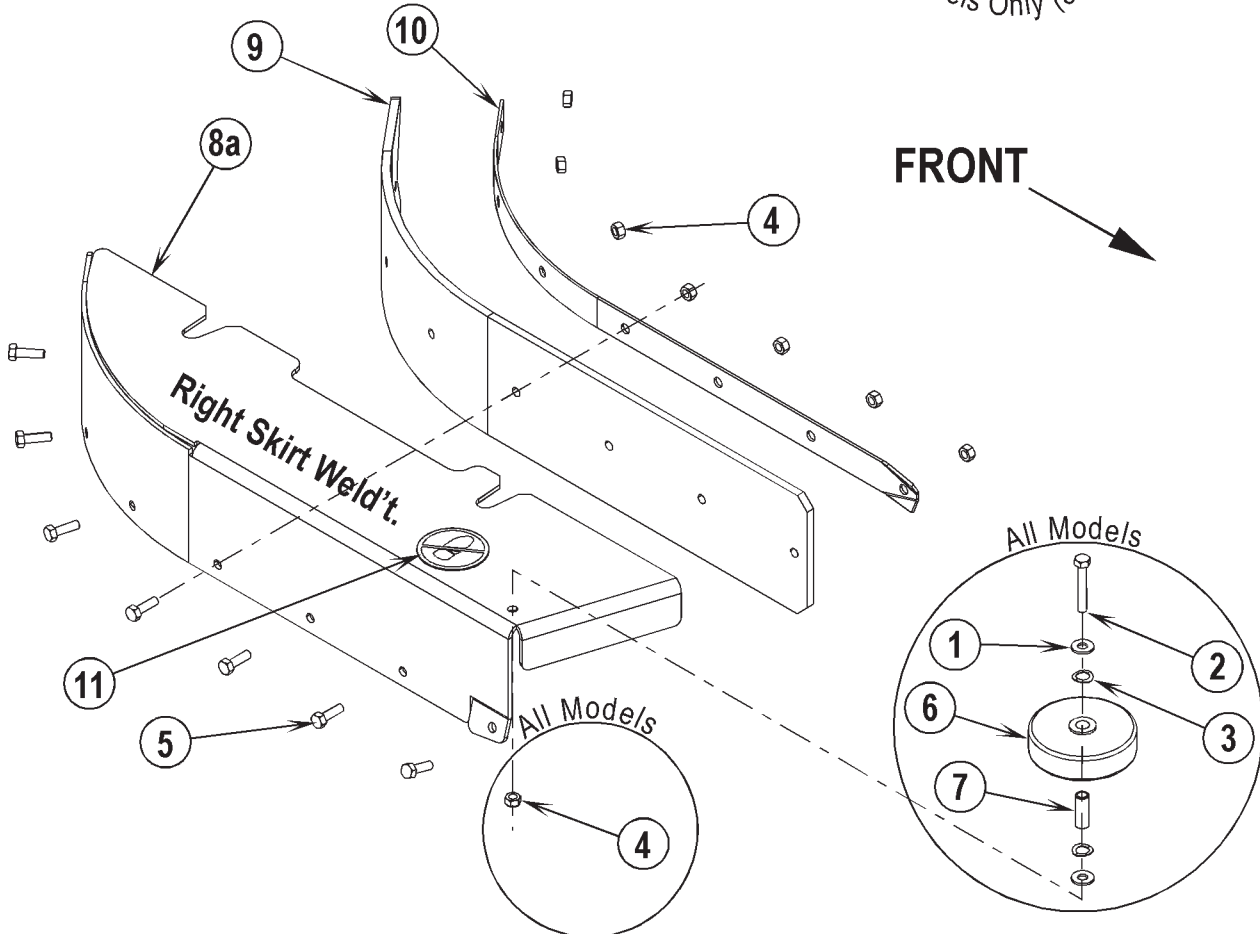
\*\* = Optional

**NOTE:** All quantities are for one skirt assembly only, there are two skirt assemblies on the machine.

56314645-LEFT SKIRT ASSEMBLY (32")  
56314646-LEFT SKIRT ASSEMBLY (28")



56314647-RIGHT SKIRT ASSEMBLY



Item	Ref. No.	Qty	Description
	56314645	1	Left Skirt Assembly (32")
	56314646	1	Left Skirt Assembly (28")
	56314647	1	Right Skirt Assembly (All Models)
1	56002098	2	Wsh, Fit SAE 1/4 <b>NOTE 1</b>
2	56003167	1	Scr, Hex M6-1.00 x 40mm <b>NOTE 1</b>
3	56009045	2	Wsh, Bowed .375 x .578 x .060 <b>NOTE 1</b>
4	56003426	8	Nut, Hex Nyl Loc SS M6-1.00 (qty of 7 on 56314646)
5	56003454	7	Scr, Hex Thd to Hd SS M6-1.00 x 20mm
6	56324499	1	Wheel, 3.00 <b>NOTE 1</b>
7	56471220	1	Bushing <b>NOTE 1</b>
8	56314058	1	Frame, Skirt LH
8a	56314059	1	Frame, Skirt RH
9	56314547	1	Blade, Skirt Linatex
	56314546	1	Blade, Skirt Neoprene
	56314340	1	Blade, Skirt Gum Rubber
10	56314341	1	Retainer, Blade
11	56016163	1	Decal, No Step (Right Skirt Assembly only)
<b>28" Disk Deck Blade Kits</b>			
**	56314126	1	Kit, Gum Rubber 28 Disk <b>NOTE 3</b>
**	56314172	1	Kit, Neoprene 28 Disk <b>NOTE 3</b>
**	56314397	1	Kit, Linatex 28 Disk <b>NOTE 3</b>
<b>32" Disk Deck Blade Kits</b>			
**	56314127	1	Kit, Gum Rubber 32 Disk <b>NOTE 3</b>
**	56314173	1	Kit, Neoprene 32 Disk <b>NOTE 3</b>
**	56314398	1	Kit, Linatex 32 Disk <b>NOTE 3</b>

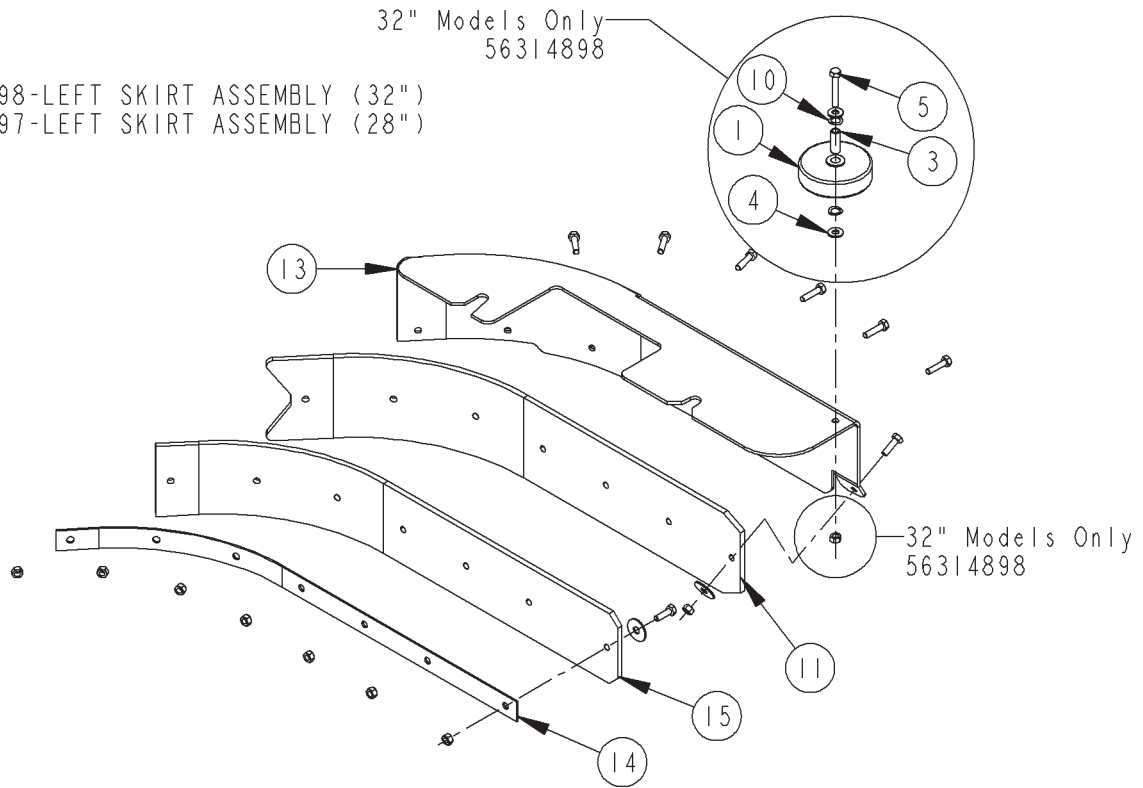
\*\* = Optional

**NOTE 1:** These items are on the Right Skirt Assembly PN 56314647 on all models, but only on the 32" Left Skirt Assembly PN56314645.

**NOTE 2:** All quantities are for one skirt assembly only, there are two skirt assemblies on the machine.

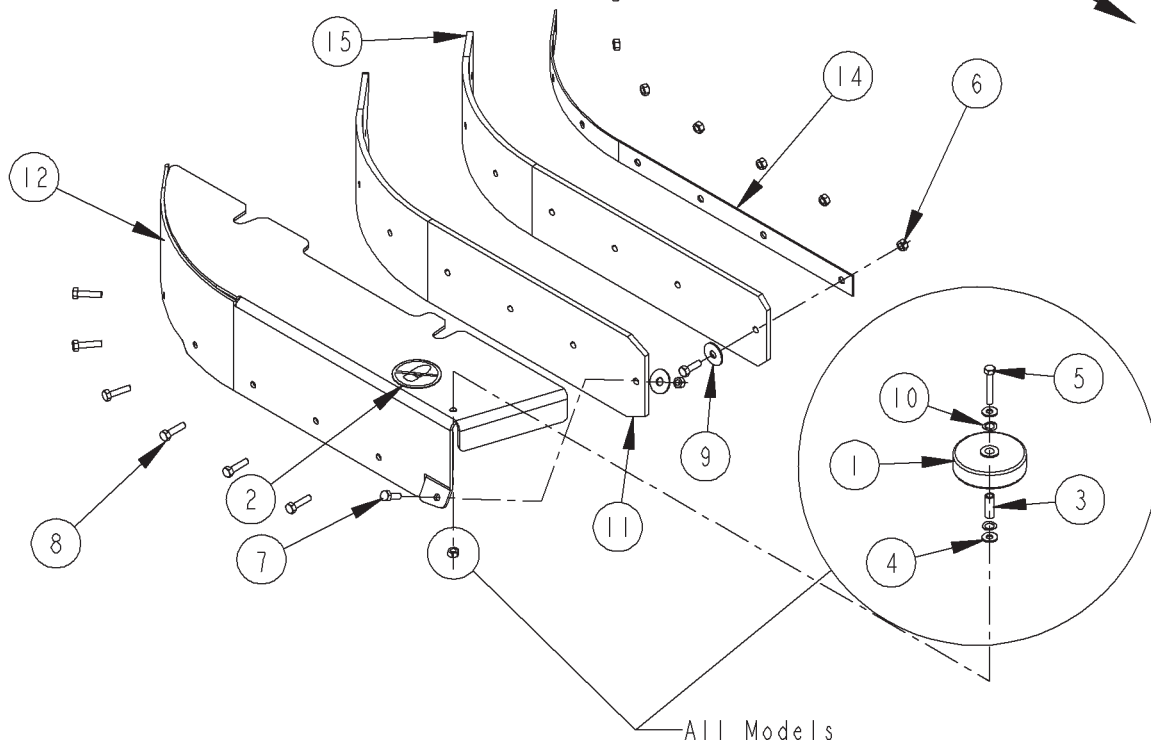
**NOTE 3:** Disk Deck Blade Kits include the required mounting fasteners (Rivet, Nylon Tree Push-In 56003263) and both deck & skirt assembly blades.

56314898-LEFT SKIRT ASSEMBLY (32")  
56314897-LEFT SKIRT ASSEMBLY (28")



56314896-RIGHT SKIRT ASSEMBLY (28" & 32")

**FRONT** →



Item	Ref. No.	Qty	Description
	56314898	1	Skirt Assembly Left Linatex (32")
	56314897	1	Skirt Assembly Left Linatex (28")
	56314896	1	Skirt Assembly Right Linatex (All Models)
1	56324499	1	Wheel 3.00 <b>NOTE 1</b>
2	56016163	1	Decal, No Step (Right Skirt Assembly only)
3	56471220	1	Bushing <b>NOTE 1</b>
4	56002098	2	Wsh, Fit SAE 1/4 <b>NOTE 1</b>
5	56003167	1	Scr,Hex M6-1.0x40mm <b>NOTE 1</b>
6	56003426	9	Nut, Hex Nyl Loc SS M6 x 1.0 (qty of 8 on 56314897)
7	56003454	2	Scr Hex Thd To Hd SS M6-1.0 x 20mm
8	56003693	6	Scr Hex Thd To Hd SS M6-1.0 x 25mm
9	56003696	2	Wsh, Fit SS .33 x 1.00 x .060
10	56009045	2	Wsh, Bowed .375 x .578 x .060 <b>NOTE 1</b>
11	56314547	1	Blade, Skirt Linatex
	56314340	1	Blade, Gum Rubber
12	56314886	1	Frame, Skirt RH
13	56314887	1	Frame, Skirt LH
14	56314891	1	Retainer, Blade
15	56314895	1	Blade, Linatex Inside
	56314883	1	Blade, Gum Rubber Inside
			<b>28" Disk Deck Blade Kits</b>
**	56314913	1	Kit, Gum Rubber 28 Disk <b>NOTE 3</b>
**	56314917	1	Kit, Linatex 28 Disk <b>NOTE 3</b>
			<b>32" Disk Deck Blade Kits</b>
**	56314914	1	Kit, Gum Rubber 32 Disk <b>NOTE 3</b>
**	56314918	1	Kit, Linatex 32 Disk <b>NOTE 3</b>

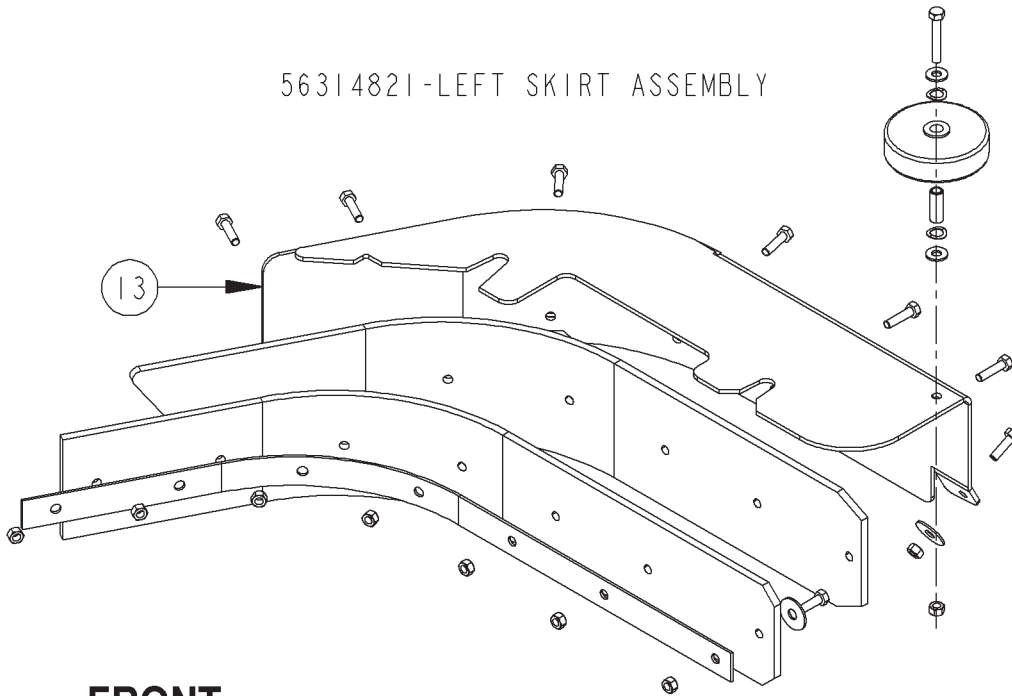
\*\* = Optional

**NOTE 1:** These items are on the Right Skirt Assembly **PN 56314896** on all models, but only on the 32" Left Skirt Assembly **PN56314898**.

**NOTE 2:** All quantities are for one skirt assembly only, there are two skirt assemblies on the machine.

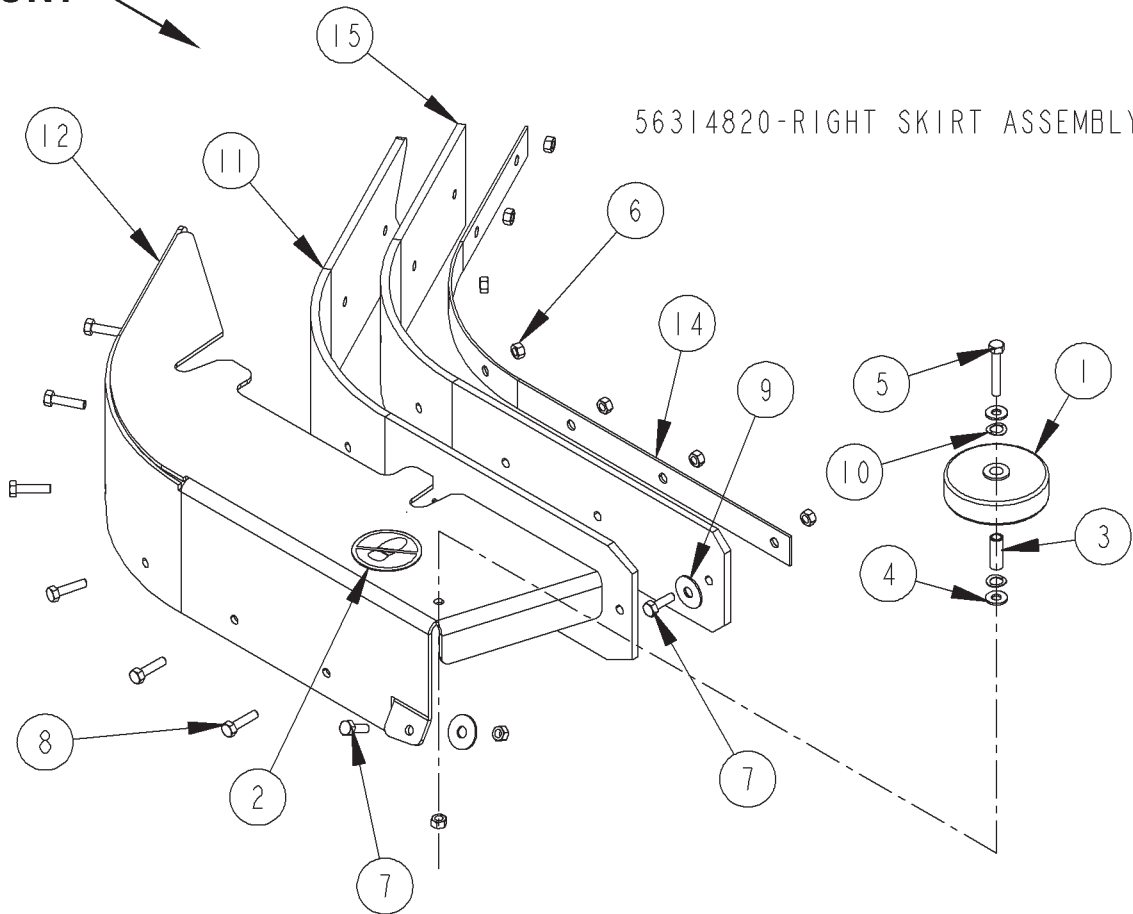
**NOTE 3:** Disk Deck Blade Kits include the required mounting fasteners (Rivet, Nylon Tree Push-In 56003263) and both deck & skirt assembly blades.

56314821-LEFT SKIRT ASSEMBLY



FRONT

56314820-RIGHT SKIRT ASSEMBLY

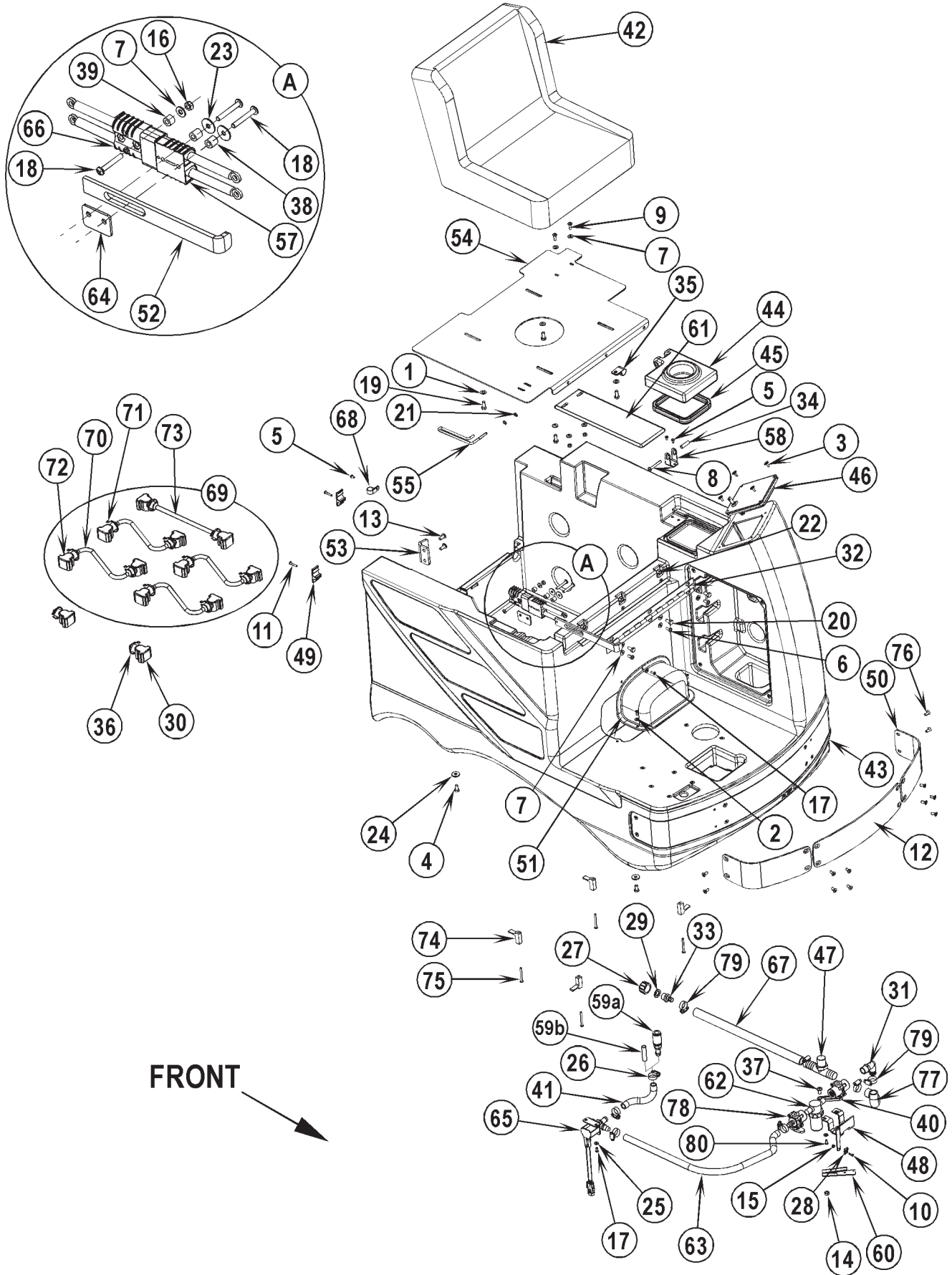


Item	Ref. No.	Qty	Description
	56314821	1	Skirt Assembly Left (35" & 38")
	56314820	1	Skirt Assembly Right (35" & 38")
1	56324499	1	Wheel 3.00
2	56016163	1	Decal, No Step (Right Skirt Assembly only)
3	56471220	1	Bushing
4	56002098	2	Wsh, Fit SAE 1/4
5	56003167	1	Scr, Hex M6-1.0 x 40mm
6	56003426	9	Nut, Hex Nyl Loc SS M6 x 1.0
7	56003454	2	Scr Hex Thd To Hd SS M6-1.0 x 20mm
8	56003693	6	Scr Hex Thd To Hd SS M6-1.0 x 25mm
9	56003696	2	Wsh, Fit SS .33 x 1.00 x .060
10	56009045	2	Wsh, Bowed .375 x .578 x .060
11	56314816	1	Blade, Linatex
	56314857	1	Blade, Neoprene
12	56314871	1	Frame, Skirt RH
13	56314872	1	Frame, Skirt LH
14	56314873	1	Retainer, Blade
15	56314874	1	Blade, Linatex Inside
	56314903	1	Blade, Neoprene Inside
			<b>35" Disk Deck Blade Kit</b>
**	56314847	1	Kit, Neoprene 35 Disk <b>NOTE 1</b>
**	56314846	1	Kit, Linatex 35 Disk <b>NOTE 1</b>
			<b>38" Disk Deck Blade Kits</b>
**	56314849	1	Kit, Neoprene 38 Disk <b>NOTE 1</b>
**	56314848	1	Kit, Linatex 38 Disk <b>NOTE 1</b>

\*\* = Optional

**NOTE 1:** Disk Deck Blade Kits include the required mounting fasteners (Rivet, Nylon Tree Push-In 56003263) and both deck & skirt assembly blades.

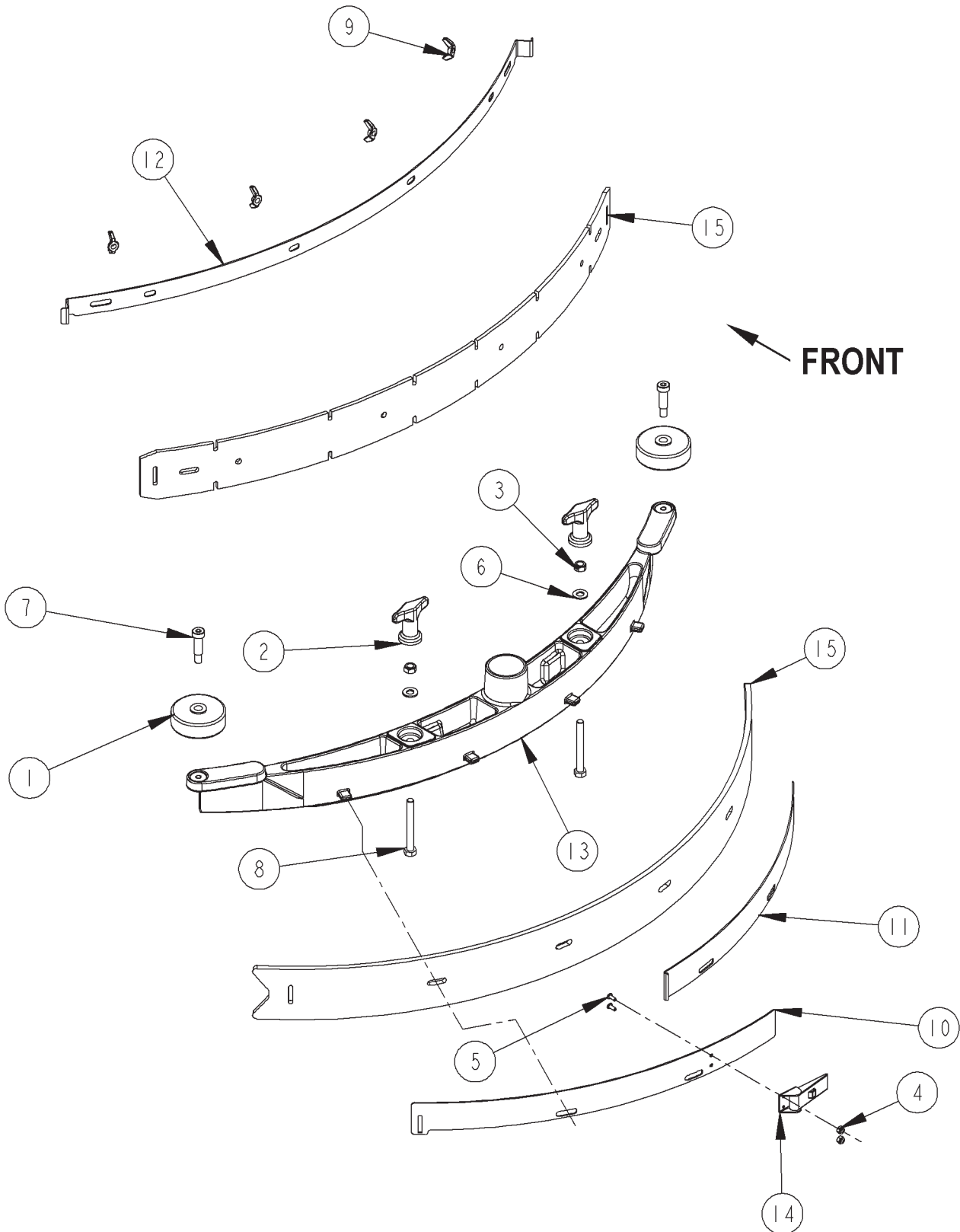
**NOTE 2:** All quantities are for one skirt assembly only, there are two skirt assemblies on the machine.



Item	Ref. No.	Qty	Description	Item	Ref. No.	Qty	Description
1	56001939	4	Wsh, Fit SAE 5/16	41	56262180	1	Hose, Spiral .50ID x 7.00
2	56001954	3	Wsh, Fit SAE #10	42	56314035	1	Seat
3	56009206	4	Scr, Truss Phil-Blk 10-24 x .50	*	56409613	1	Switch, Seat
4	56002035	4	Scr, Hex Hd 5/16-18 x .62	43	56314626	1	Solution Tank
5	56002043	3	Scr, Pan Phil 10-24 x .38	44	56314066	1	Cover, Solution Tank, Assy
6	56002066	3	Scr, Pan Phil 1/4-20 x .62	45	56314069	1	Gasket
7	56002098	11	Wsh, Fit SAE 1/4	46	56314665	1	Control Panel Assembly
8	56002108	1	Scr, Pan Phil 1/4-20 x 2.00	*	56396188	1	Switch, Key
9	56002507	2	Scr, Pan Phil 1/4-20 x .75	*	56396189	1	Key, Spare
10	56002589	1	Scr, Hex Hd 6-32 x .50	47	56314758	1	Tea
11	56002674	5	Scr, Pan Phil 10-24 x 1.00	48	56314759	1	Bracket, Valve <b>(Before TSBUS2004-874)</b>
12	56314642	1	Bumper, Front Middle		56314882	1	Bracket, Valve <b>(After TSBUS2004-874)</b>
13	56002793	2	Scr, Pan Phil 5/16-18 x .75	49	56314155	5	Clamp, Cable
14	56002826	1	Nut, Hex Nyl Loc-Thin 5/16-18	50	56314638	2	Bumper, Front
15	56002830	1	Nut, Hex Nyl Loc 6-32	51	56314213	1	Cover, Actuator
16	56002840	3	Nut, Hex Nyl Loc-Thin 1/4-20	52	56314292	1	Bar, Disconnect
17	56002900	5	Scr, Pan Phil SS 10-24 x .50	53	56314220	1	Tank Mount Bracket
18	56002997	3	Scr, Pan Phil 1/4-20 x 1.75	54	56314624	1	Weld't, Seat Mount
19	56003179	4	Scr, Hex Thd to Hd M8-1.25 x 20mm	55	56314223	1	Prop Rod
20	56003178	3	Scr, Hex M8-1.25 x 16mm	56	56314666	1	Harness, Main <b>(Not Shown)</b>
21	56003268	3	Ring, Ret Ext Type E Reinf. .25 Dia.	57	56314253	1	Charge Connector Assy
22	56003389	3	Nut, Hex Nyl Loc M8-1.25	58	56314264	1	Hinge Bracket
23	56009002	2	Wsh, Fit .266 x .906 x .060	59a	56314311	1	Coupling, Quick Disconnect Female <b>(Before TSBUS2005-888)</b>
24	56009122	4	Wsh, Fit .344 x .938 x .125	59b	56314904	1	Tube <b>(After TSBUS2005-888)</b>
25	56009205	4	Wsh, Fit SS #10	60	56314401	1	Bracket, Water Valve <b>(Before TSBUS2004-874)</b>
26	56219932	4	Clamp, Hose SAE #6		56314881	1	Bracket, Water Valve <b>(After TSBUS2004-874)</b>
27	56255076	1	Cap, Pipe GHT Nylon	61	56314532	1	Panel, Battery Box
28	56344265	1	Clamp, Cable	62	56314756	1	Strainer
29	56368776	1	Washer, Rubber	63	56386182	1	Hose, Spiral .50ID x 26.00
30	56372673	2	Boot, Battery Post	64	56397189	1	Spacer
31	56314757	1	Barb, 90 Elbow, 3/4 x 1/2NPT	65	56397215	1	Solenoid Valve Assy, 36V (L1)
32	56412196	1	Hinge	66	56397508	1	Charge Connector Assy
33	56900273	1	Barb	67	56263218	1	Hose, .75 Clear PVC
34	56468553	1	Bushing, .27 x .37 x 1.30	68	56442003	1	Clamp, P
35	56469380	1	Clamp, P	69	56314339	1	Kit, Battery Connector <b>(includes items 70-73)</b> <b>(Advance Models only) NOTE 1</b>
36	56478246	2	Tie, Cable	70	56456460	4	Cable, Battery
37	56003003	1	Scr, Pan Phil 5/16-18 x .62	71	56478246	10	Tie, Cable
38	56046309	2	Spacer, Phenolic	72	56372673	10	Boot, Battery Post
39	56050872	1	Spacer, Phenolic	73	56441600	1	Cable, Battery
40	56314899	1	Valve, Ball	*	56314119	1	Battery Spacer <b>(Advance Models only)</b>
				74	56314608	4	Clamp, Cable
				75	56002171	4	Scr, Pan Phil 10-24 x 2.00
				76	56002760	12	Scr, Flt Phil 1/4-20 x .62
				77	56410162	1	Hose, Spiral .75 x 7.00
				78	56314755	1	Valve, Solution
				79	56112771	4	Clamp, Hose SAE #10
				80	56001993	2	Scr, Pan Phil 10-24 x .50

\* = Not Shown

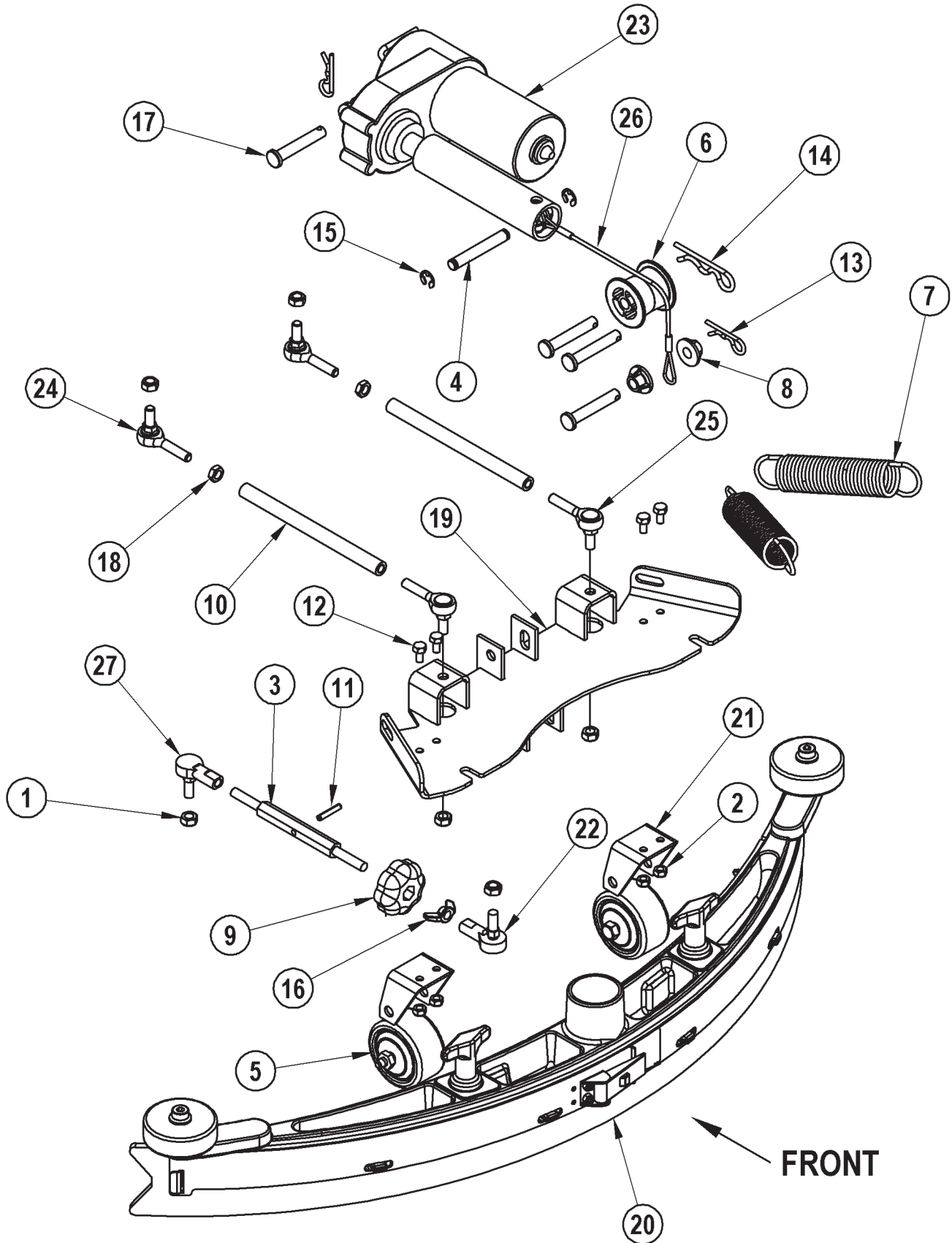
**NOTE 1:** For Advance models "Battery Connector Kit" (56314339) is included with machine. For Nilfisk models battery cables are not included, but "Battery Connector Kit" (56314326) can be ordered separately if battery connectors are desired.



Item	Ref. No.	Qty	Description
	56314651	1	Squeegee Assy (28")
	56314650	1	Squeegee Assy (32")
	56314697	1	Squeegee Assy (35")
	56314803	1	Squeegee Assy (38")
1	56324350	2	Wheel
2	56370711	2	Nut, Thumb
3	56002851	2	Nut, Hex Nyl Loc-Thin SS 5/16-18
4	56002907	2	Nut, Hex Nyl Loc SS 6-32
5	56002909	2	Scr, Pan Phil SS 6-32 x .38
6	56002938	2	Wsh, Fit SAE SS 5/16
7	56003472	2	Scr, Soc Shd .38 x 1.00 x 5/16-18
8	56003666	2	Scr, Hex Hd SS 5/16-18 x 2.75
9	56009111	4	Nut, Wing SS 1/4-20 (qty of 6 on 32" / 8 on 35" & 38")
10	56314026	1	Strap, Left Rear (28")
	56314323	1	Strap, Left Rear (32")
	56314691	1	Strap, Left Rear (35")
	56314797	1	Strap, Left Rear (38")
11	56314027	1	Strap, Right Rear (28")
	56314324	1	Strap, Right Rear (32")
	56314692	1	Strap, Right Rear (35")
	56314798	1	Strap, Right Rear (38")
12	56314028	1	Strap, Front (28")
	56314322	1	Strap, Front (32")
	56314696	1	Strap, Front (35")
	56314802	1	Strap, Front (38")
13	56314271	1	Squeegee Tool, Cast (28")
	56314325	1	Squeegee Tool, Cast (32")
	56314694	1	Squeegee Tool, Cast (35")
	56314800	1	Squeegee Tool, Cast (38")
14	56471194	1	Latch Assy
15	56314304	1	Squeegee Blade Kit, Linatex (28") NOTE #1
	56314061	1	Squeegee Blade Kit, Linatex (32") NOTE #1
	56314865	1	Squeegee Blade kit, Linatex (35") NOTE #1
	56314844	1	Squeegee Blade kit, Linatex (38") NOTE #1
			<b>28" Squeegee Blade Kits</b>
**	56314303	1	Kit, Standard Squeegee Blade NOTE #1
**	56314304	1	Kit, Linatex Squeegee Blade NOTE #1
**	56314305	1	Kit, Neoprene Squeegee Blade NOTE #1
			<b>32" Squeegee Blade Kits</b>
**	56314060	1	Kit, Standard Squeegee Blade NOTE #1
**	56314061	1	Kit, Linatex Squeegee Blade NOTE #1
**	56314062	1	Kit, Neoprene Squeegee Blade NOTE #1
			<b>35" Squeegee Blade Kits</b>
**	56314865	1	Kit, Linatex Squeegee Blade NOTE #1
**	56314843	1	Kit, Neoprene Squeegee Blade NOTE #1
			<b>38" Squeegee Blade Kits</b>
**	56314844	1	Kit, Linatex Squeegee Blade NOTE #1
**	56314845	1	Kit, Neoprene Squeegee Blade NOTE #1

\*\* = Optional, Not Included

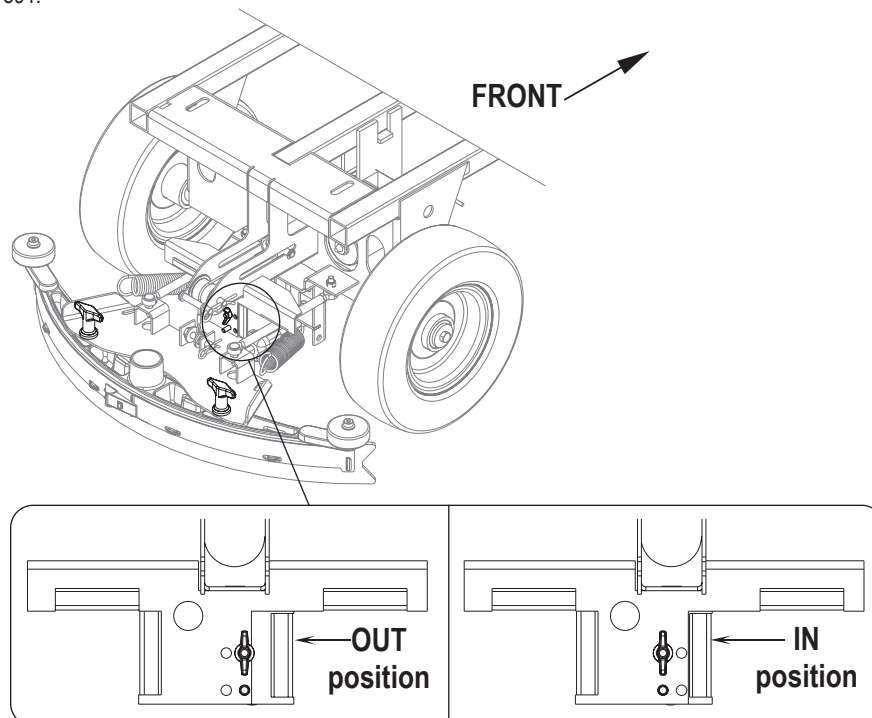
NOTE #1: Squeegee Blade Kits include both front & rear squeegee blades.

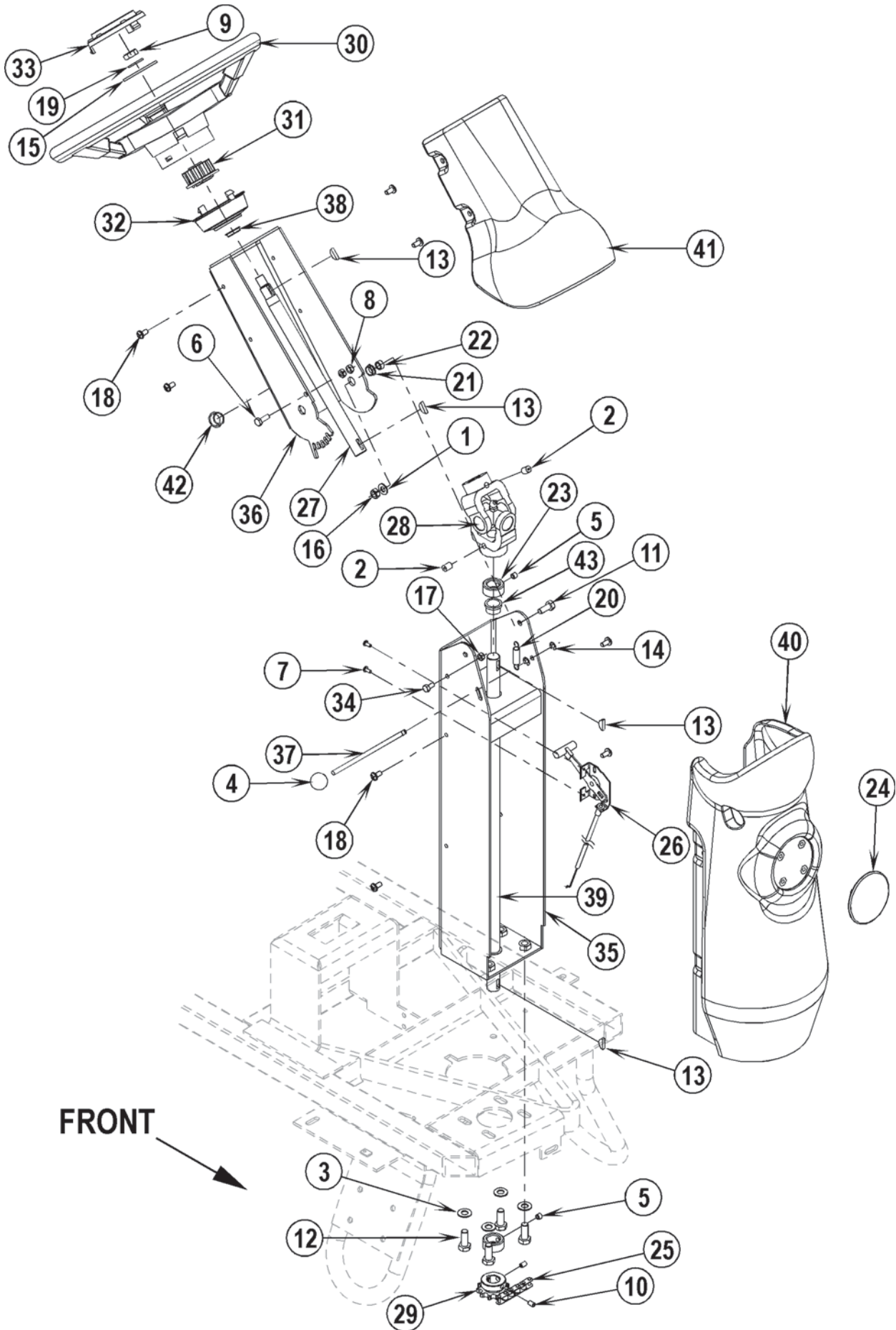


Item	Ref. No.	Qty	Description
1	56002866	6	Nut, Hex Nyl Loc-Thin 5/16-24
2	56003403	4	Nut, Hex Nyl Loc M6-1.00
3	56412067	1	Connecting Rod
4	56412088	1	Pin
5	56412124	2	Wheel
6	56412208	1	Roller
7	56412216	2	Spring, Extension
8	56412248	4	Spacer, Squeegee Cable
9	56412284	1	Knob, Squeegee Adjust
10	56412314	2	Connecting Rod
11	56002082	1	Pin, Spr. 19 x 1.00
12	56003211	4	Scr, Hex Hd SS M6-1.0 x 12mm
13	56003222	2	Pin, Cotter Hair
14	56003223	1	Pin, Cot Hair .148 x Dia .62/1.00
15	56003262	2	Ring, Ret Ext Type E 0.38 Dia
16	56003497	1	Nut, Wing SS 5/16-24
17	56003656	4	Clevis Pin .375 x 2.25
18	56009102	2	Nut, Hex Jam 5/16-24
19	56314023	1	Squeegee Mount Weldment
20	56314651	1	Squeegee Assy (28") (2820)
	56314650	1	Squeegee Assy (32") (3220) NOTE 1
	56314697	1	Squeegee Assy (35") (3520 / BR 850S,SC / BR 950S,SC) NOTE 1
	56314803	1	Squeegee Assy (38") (3820 / BR 1050S,SC)
21	56314722	2	Mount, Wheel
22	56395755	1	End, Rod
23	56397230	1	Actuator, Motor 36V (M2)
*	56393790	2	Limit Switch
*	56470433	1	Brush Kit
24	56412312	2	Rod End 5/16
25	56412313	2	Rod End 5/16
26	56412340	1	Cable Assembly
27	56477756	1	Rod End

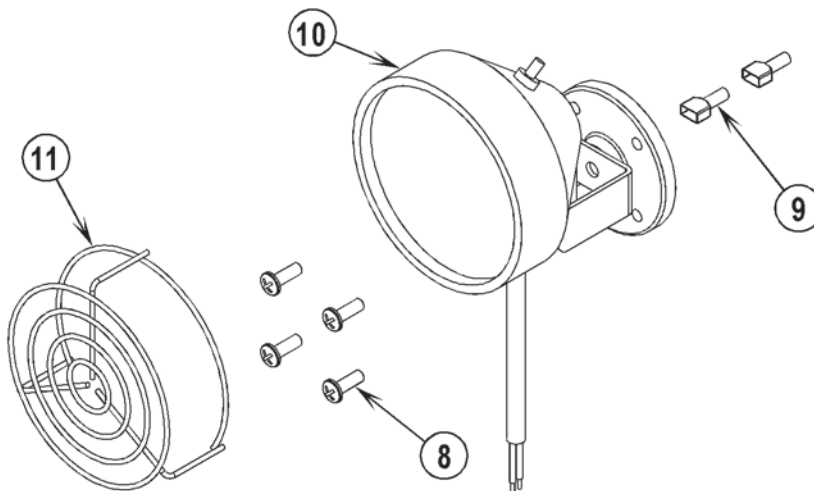
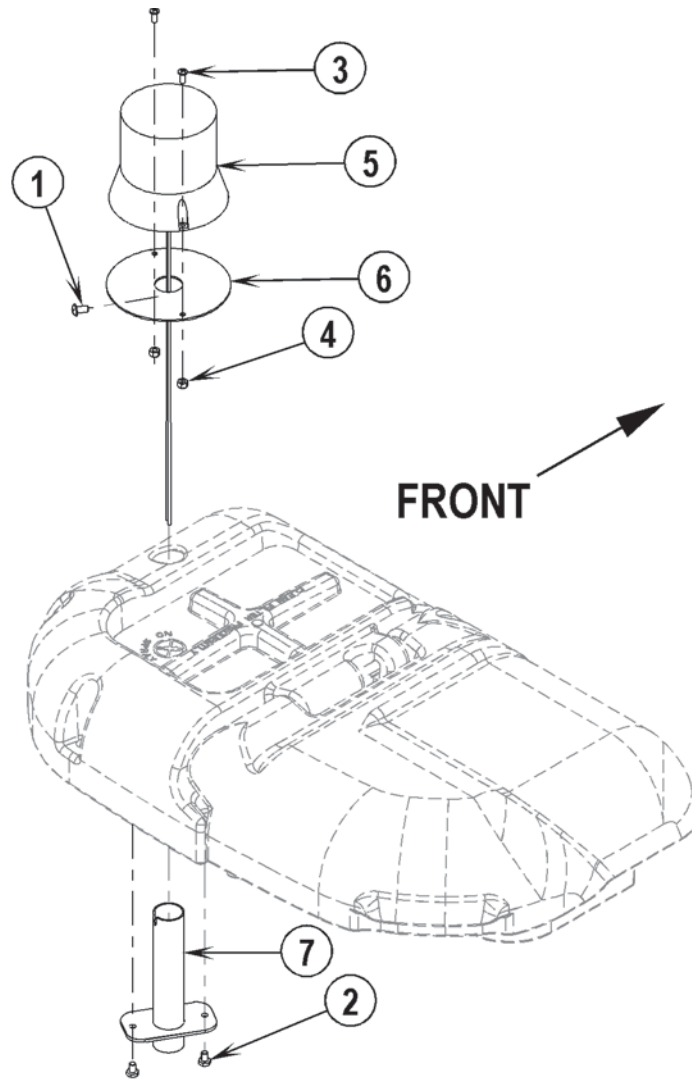
\* = Not Shown

**NOTE 1: BR 850S & BR 850SC** models before SN 1819567 used Squeegee Assy 56314650, after SN use Squeegee Assy 56314697. If replacing squeegee 56314650 with 56314697 on either one of these two models (SN before 1819567) the Squeegee Stop Bracket needs to be set at the "in" position. See TSBUS2005-891.

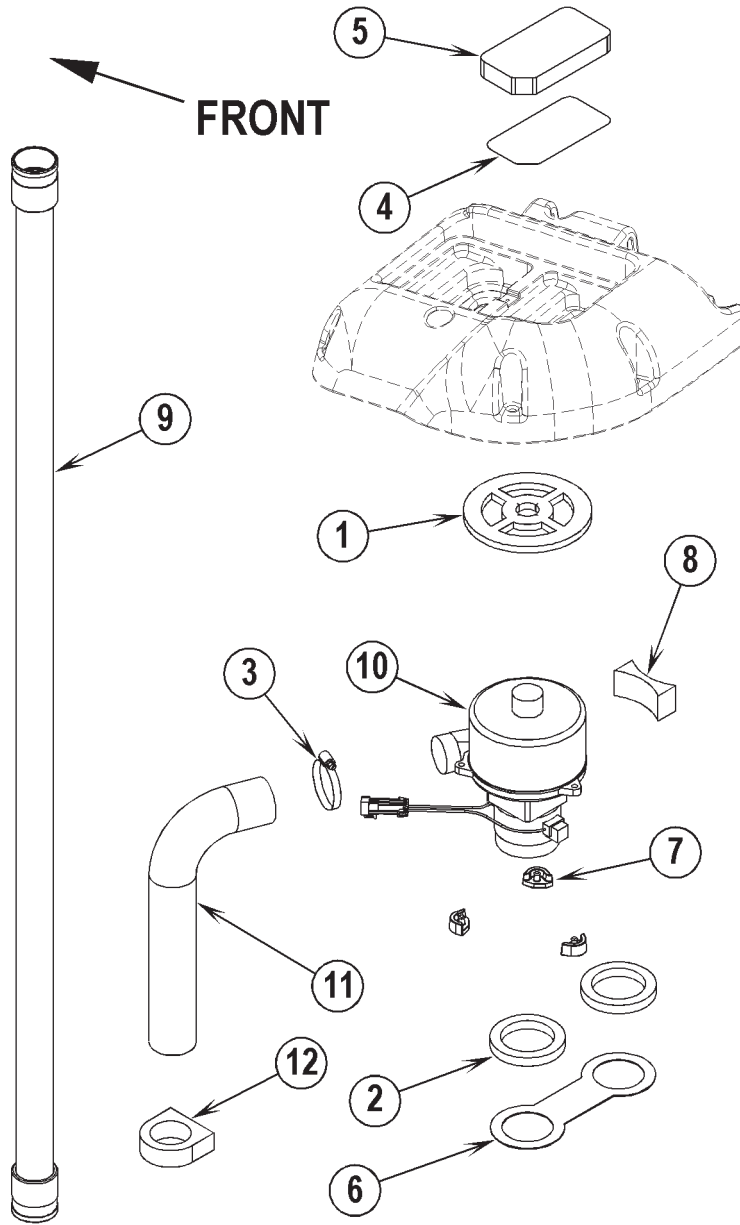




Item	Ref. No.	Qty	Description
1	56001939	2	Wsh, Fit SAE 5/16
2	56001958	2	Scr, Soc Set Loc 3/8-16 x .50
3	56002063	4	Wsh, Fit SAE 3/8
4	56440817	1	Knob
5	56002086	2	Scr, Soc Set Loc 5/16-18 x .25
6	56002155	1	Scr, Hex Hd 1/4-20 x .75
7	56002523	2	Scr, Pan Phil Thd Form 8-32 x .38
8	56002840	2	Nut, Hex Nyl Loc-Thin 1/4-20
9	56002843	1	Nut, Hex Nyl Loc-Thin 1/2-13
10	56002930	2	Scr, Soc Set Loc 1/4-20 x .38
11	56003179	2	Scr, Hex Thd To Hd M8-1.25 x 20mm
12	56003186	4	Scr, Hex Thd To Hd M10-1.50 x 25mm
13	56003228	4	Key, WDF .75 x .19
14	56003268	2	Ring, Ret Ext Type E Reinf .25 Dia
15	56003342	1	Wsh, Fit .88 x .25 x .13
16	56003389	2	Nut, Hex Nyl Loc M8-1.25
17	56003403	1	Nut, Hex Nyl Loc M6-1.00
18	56009062	8	Scr, Pan Phil Thd Form 1/4-20 x .50
19	56001879	1	Wsh, Fit SAE 1/2
20	56245008	1	Spring, Extension
21	56302164	2	Bearing, Flange
22	56320595	2	Bushing .32 x .50 x .28
23	56367095	2	Collar, Shaft
24	56412095	1	Plaque, Decal Logo
25	56412198	1	Chain, Roller
26	56412281	1	Solution Control Cable
27	56420059	1	Shaft, Upper Steering
28	56454081	1	Universal Joint
29	56471148	1	Sprocket
30	56497306	1	Steering Wheel
31	56497560	1	Wheel Adapter
32	56497308	1	Cup
33	56497543	1	Cap
34	56003155	1	Scr, Hex M6-1.00 x 12mm
35	56314877	1	Lower Column Weldment
36	56314093	1	Column, Steering
37	56314094	1	Rod, Steering lock
38	56314148	1	Bearing, Nyliner
39	56314195	1	Shaft, Lower Steering
40	56314295	1	Shroud, Lower Column
41	56314296	1	Shroud, Upper Column
42	56900041	1	Plug, Cap
43	56250414	2	Bearing, Flange

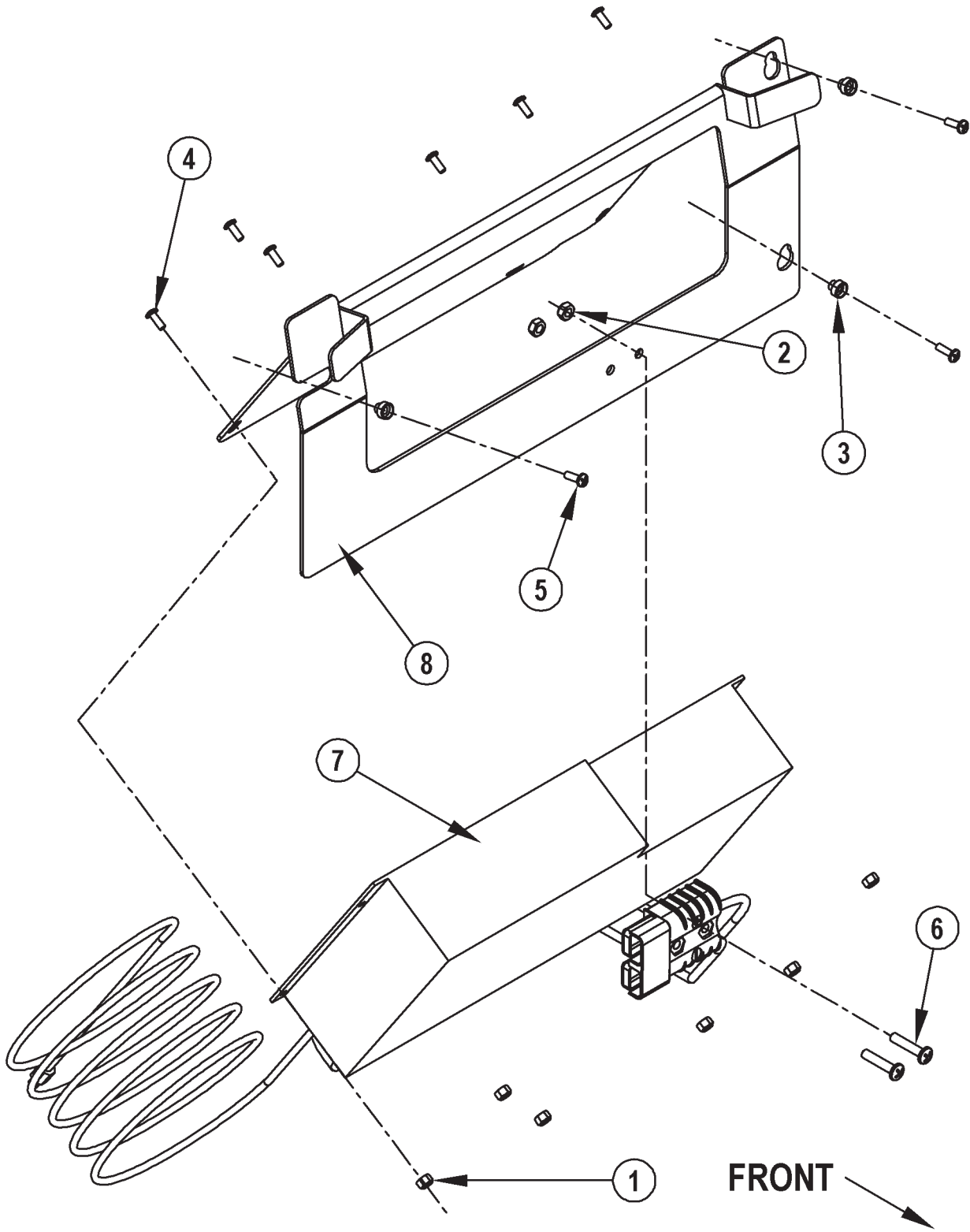


Item	Ref. No.	Qty	Description
	<b>56314302</b>	<b>1</b>	<b>Warning Beacon Kit</b>
*	56040788	1	Instruction Sheet
1	56003119	1	Pan Phil SS 1/4-20 x .50
2	56001861	2	Scr, Hex Hd 1/4-20 x .38
3	56001993	2	Scr, Pan Phil 10-24 x .50
4	56002768	2	Nut, Hex Nyl Loc 10-24
5	56416433	1	Strobe (H3)
6	56314287	1	Plate Weldment
7	56314288	1	Tube Weldment
	<b>56314313</b>	<b>1</b>	<b>Headlight Kit</b>
*	56040791	1	Instruction Sheet
8	56002507	4	Scr, Pan Phil 1/4-20 x .75
9	56172230	2	Term .250 Ins Tab
10	56409239	1	Headlight (H2)
11	56409557	1	Guard, Headlight



Item	Ref. No.	Qty	Description
	<b>56314338</b>	<b>1</b>	<b>Dual Vacuum Motor Kit</b>
*	56040792	1	Instruction Sheet
1	56314704	1	Gasket
2	56314760	2	Gasket, Vacuum Duct
3	56440213	1	Clamp, Hose SAE #32
4	56314372	1	Screen, Filter
5	56314373	1	Filter
6	56314377	1	Plate, Separator (2 Mtr)
7	56314484	3	Mount, Vibration
8	56314708	1	Spacer, Foam
9	56314535	1	Vac Hose Assy.
10	56397228	1	Motor, Vac 36VDC <b>(M6)</b>
*	56212223	1	Carbon Brush Set
11	56459937	1	Vac Hose
12	56314761	1	Gasket, Hose

\* = Not Shown



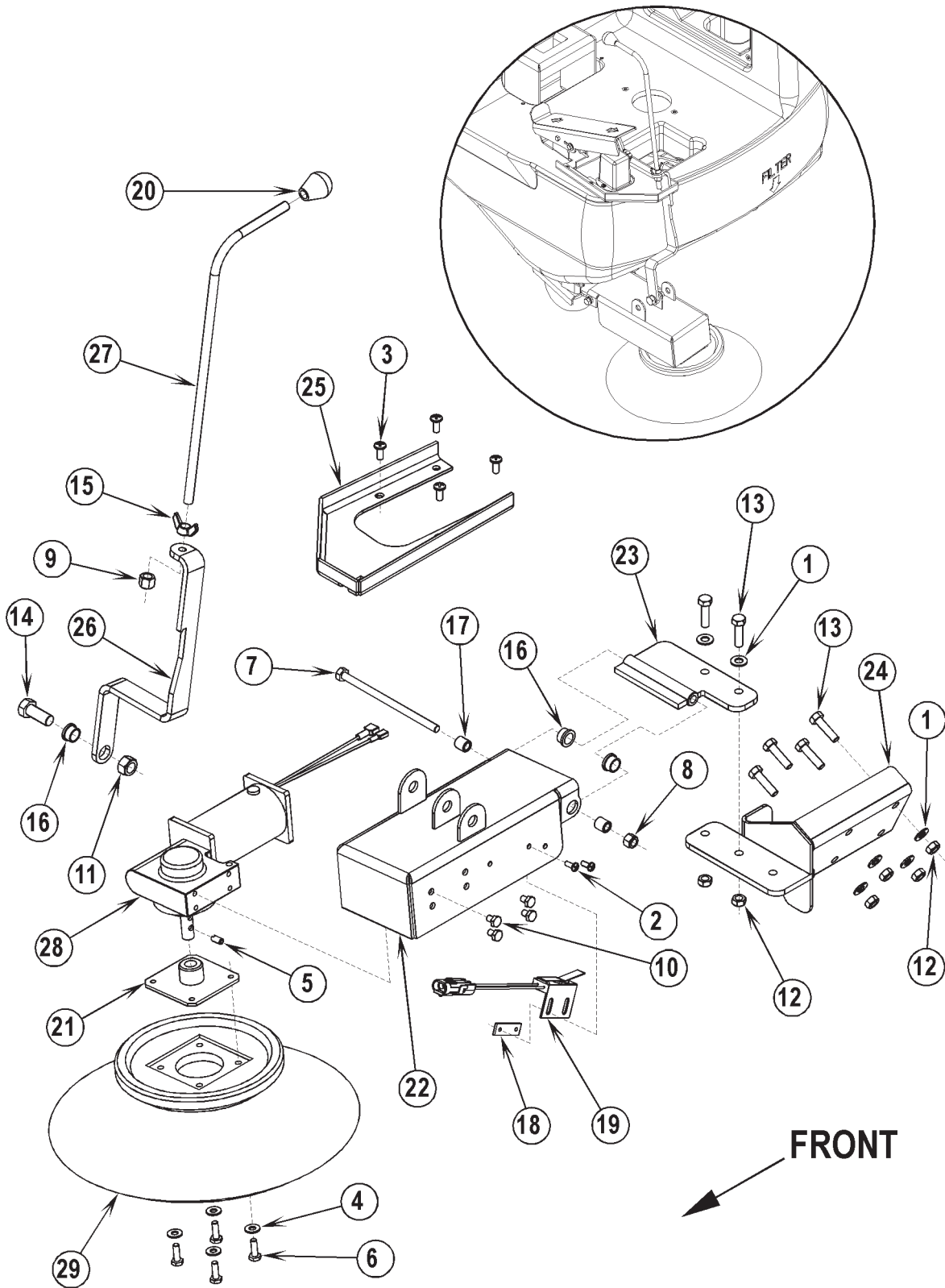
04-3

**ONBOARD CHARGER KIT****BOOK E**

04-8

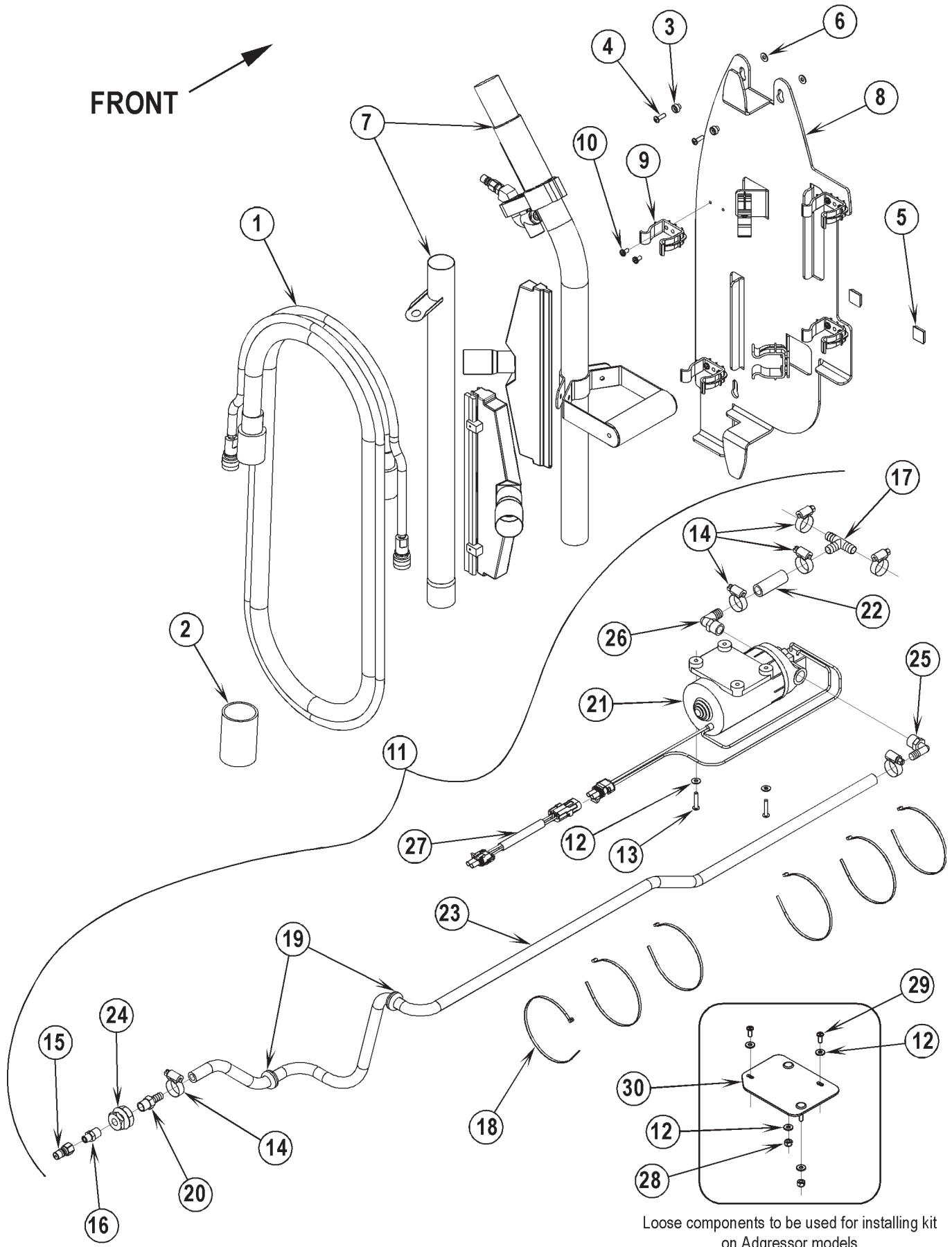
**Adgressor™ / BR 850S, 850SC, 950S, 950SC, 1050S, 1050SC****E****13.6.1****43**

Item	Ref. No.	Qty	Description
	<b>56314753</b>	<b>1</b>	<b>Onboard Charger Kit TSBUS2004-872</b>
*	56040787	1	Instruction Sheet
1	56002768	6	Nut, Hex Nyl Loc 10-24
2	56002840	2	Nut, Hex Nyl Loc-Thin 1/4-20
3	56412310	3	Spacer, Stepped
4	56001993	6	Scr, Pan Phil 10-24 x .50
5	56002124	3	Scr, Pan Phil 10-24 x .62
6	56002825	2	Scr, Pan Phil 1/4-20 x 1.25
7	56314750	1	Charger, 36V, 25Amp <b>TSBUS2004-872</b>
8	56314752	1	Weldment, Charger



Item	Ref. No.	Qty	Description
	<b>56314306</b>	<b>1</b>	<b>Right Side Broom Kit</b>
*	56040789	1	Instruction Sheet
1	56001939	6	Wsh, Fit SAE 5/16
2	56001993	2	Scr, Pan Phil 10-24 x .50
3	56002066	4	Scr, Pan Phil 1/4-20 x .62
4	56002098	4	Wsh, Fit SAE 1/4
5	56002119	1	Scr, Soc Set Loc 1/4-20 x .50
6	56002155	4	Scr, Hex Hd 1/4-20 x .75
7	56002691	1	Scr, Hex Hd 5/16-18 x 5.50
8	56002701	1	Nut, Hex Nyl Loc 5/16-18
9	56002769	1	Nut, Hex Nyl Loc 3/8-16
10	56002933	4	Scr, Hex Hd Loc 1/4-20 x .38
11	56003312	1	Nut, Hex Nyl Loc M12-1.75
12	56003389	6	Nut, Hex Nyl Loc M8-1.25
13	56003416	6	Scr, Hex M8-1.25 x 30mm
14	56003418	1	Scr, Hex M12-1.75 x 30mm
15	56009252	1	Nut, Wing SS 3/8-16
16	56185264	3	Bearing, Flange
17	56228052	2	Bushing
18	56324310	1	Nut Plate
19	56372088	1	Switch, Waterproof
20	56378534	1	Knob
21	56314095	1	Brush Holder Weldment
22	56314167	1	Sidebroom Arm Weldment
23	56314174	1	Pivot Weldment
24	56314178	1	Bracket Weldment
25	56314190	1	Bracket, Lift
26	56314194	1	Bar, Lift
27	56314198	1	Rod, Lift
28	56469530	1	Motor Assembly 24V
29	1451899000	1	Brush, Sidebroom
*	56314259	1	Harness, Sidebroom
*	56478246	1	Wire Tie

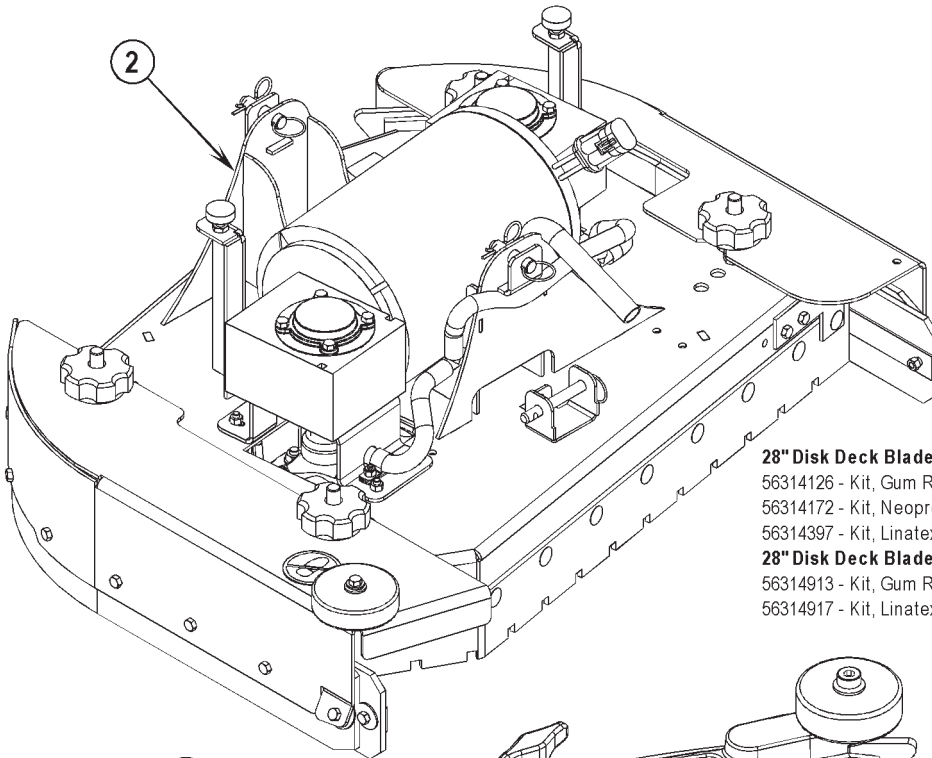
\* = Not Shown



Loose components to be used for installing kit on Adgressor models

Item	Ref. No.	Qty	Description
	<b>56314308</b>	<b>1</b>	<b>Scrub-N-Vac Kit</b>
*	56040783	1	Instruction Sheet
1	56220035	1	Hose, Assembly
2	56314399	1	Coupler
3	56412310	3	Bushing, Stepped
4	56002124	3	Scr, Pan Phil 10-24 x .62
5	56402940	2	Bumper, .812 Sq.
6	56009205	2	Washer, Flt. SS .219 x .50 x .047
7	56314402	1	Wand Assembly
8	56314403	1	Caddy
9	56407361	6	Clamp
10	56009030	12	Scr, Pan Phil Thd Form 10-24 x .38
11	56314309	1	Pump Assembly (includes items 12-30)
12	56001954	6	Wsh, Flt SAE #10
13	56002674	2	Scr, Pan Phil 10-24 x 1.00
14	56219932	6	Clamp, Hose SAE #6
15	56220055	1	Plug
16	56220074	1	Nipple 1/4 to 1/8 NPT
17	56262549	1	Tee, Barb
18	56478523	6	Tie, Cable
19	56052338	2	Grommet
20	56155640	1	Barb, Adapter 3/8 x 1/4 NPT
21	56212014	1	Pump, 36VDC
22	56262560	1	Hose, Nylon Braid
23	56314432	1	Hose, Spiral .375 x 63.00
24	56745543	1	Adapter Blk Hd 1/4
25	56900035	1	Barb, 90 Elbow 27/64 x 3/8 NPT
26	56900069	1	Barb, 90 Elbow 1/2 x 3/8 NPT
27	56314585	1	TVS Assembly
28	56002768	2	Nut, Hex Nyl Loc 10-24
29	56001993	2	Scr, Pan Phil 10-24 x .50
30	56314644	1	Plate Weldment

**56314834 - Kit, Deck 2820D**

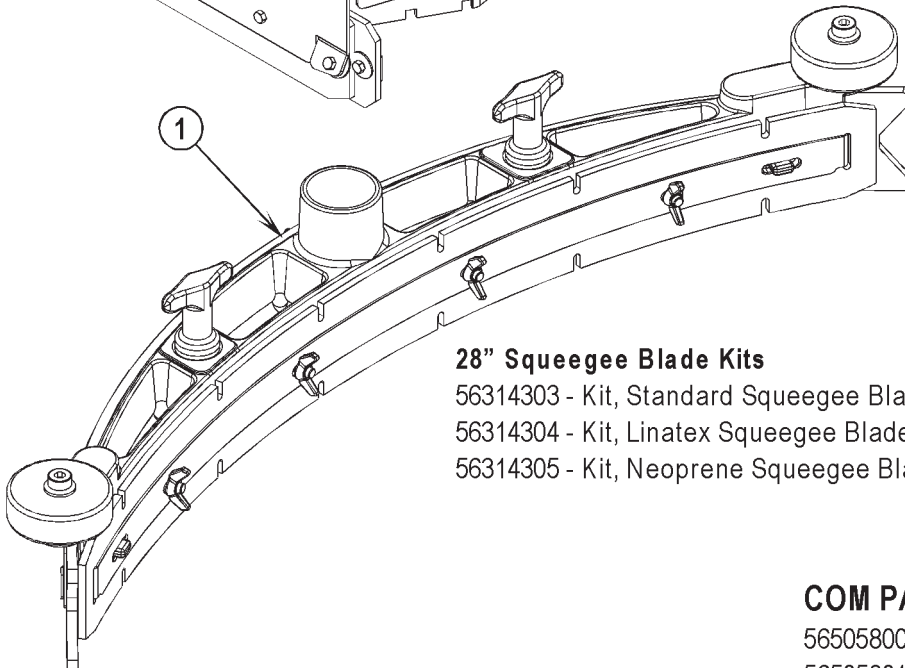


**28" Disk Deck Blade Kits (before Oct. 2004/Single Blade)**

- 56314126 - Kit, Gum Rubber 28" Disk
- 56314172 - Kit, Neoprene 28" Disk
- 56314397 - Kit, Linatex 28" Disk

**28" Disk Deck Blade Kits (after Sept. 2004/Dual Blade)**

- 56314913 - Kit, Gum Rubber 28 disk
- 56314917 - Kit, Linatex 28 Disk



**28" Squeegee Blade Kits**

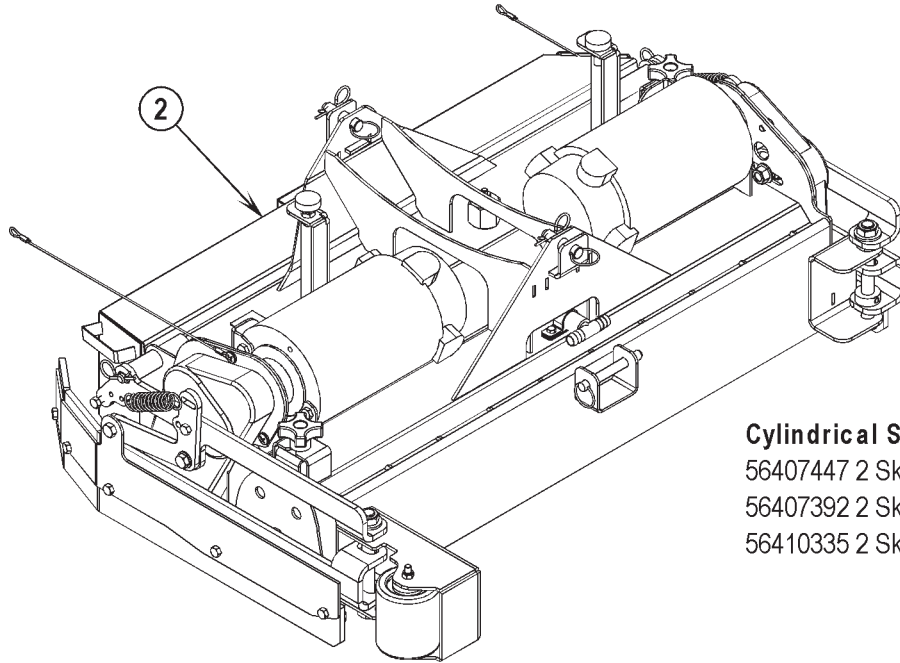
- 56314303 - Kit, Standard Squeegee Blade
- 56314304 - Kit, Linatex Squeegee Blade
- 56314305 - Kit, Neoprene Squeegee Blade

**COM PATIBLE 28" BRUSHES**

- 56505800 - Short Trim Pad Holder
- 56505801 - Magna Grit
- 56505802 - Dyna Grit
- 56505803 - AgLite Grit
- 56505804 - ProLite
- 56505805 - Prolene
- 56505806 - Union Mix
- 56505807 - MidGrit
- 56505808 - MidLite Grit

Item	Ref. No.	Qty	Description
	56314834	1	Kit, Deck 2820D
*	56040833	1	Instruction Sheet
1	56314651	1	Squeegee Assembly
2	56314652	1	28" Disk Deck Assembly

## 56314835 - Kit, Deck 2820C

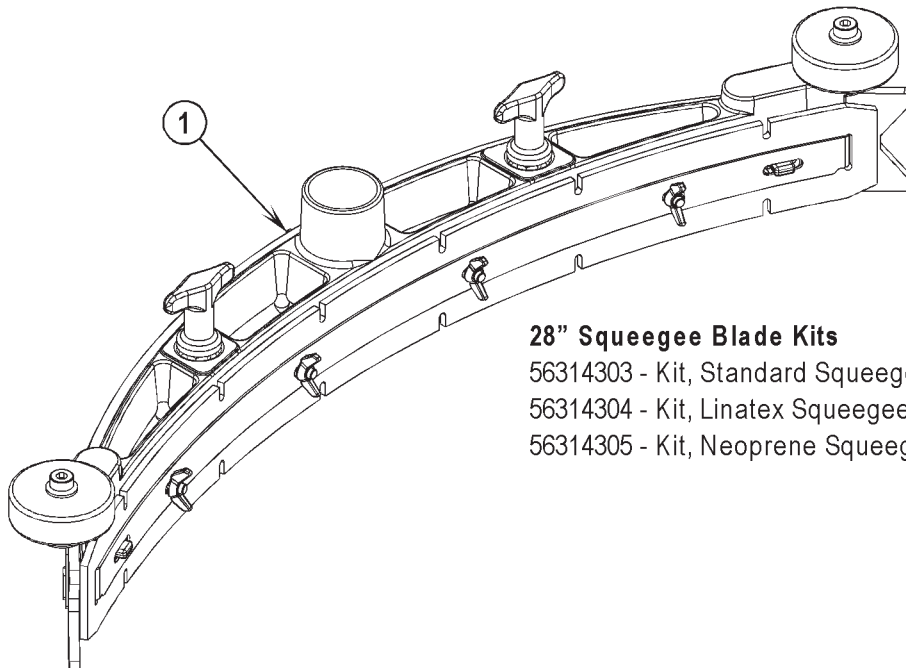


### Cylindrical Skirts

56407447 2 Skirt, Gum Rubber

56407392 2 Skirt, Neoprene

56410335 2 Skirt, Linatex



### 28" Squeegee Blade Kits

56314303 - Kit, Standard Squeegee Blade

56314304 - Kit, Linatex Squeegee Blade

56314305 - Kit, Neoprene Squeegee Blade

Item	Ref. No.	Qty	Description
	56314835	1	Kit, Deck 2820C
*	56040833	1	Instruction Sheet
1	56314651	1	Squeegee Assembly
2	56314654	1	28" Cylindrical Deck Assembly

### COM PATIBLE 28" BRUSHES

56412191 - Soft Nylon

56412192 - Hard Nylon

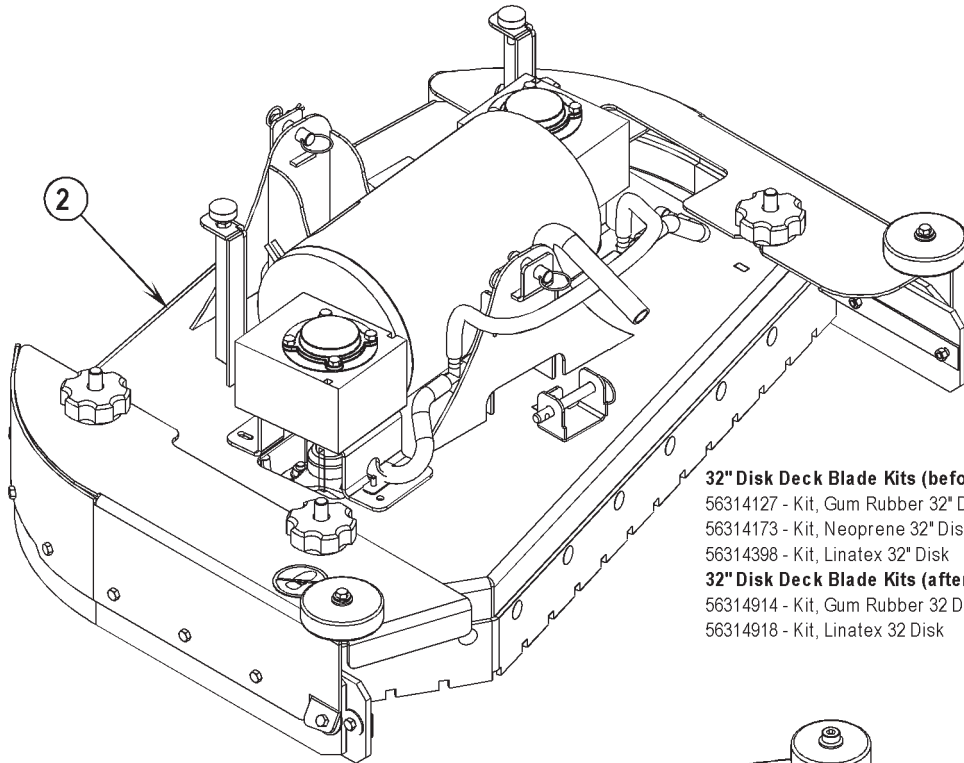
56412046 - Prolene

56412193 - 180 Grit

56412194 - 80 Grit

56412195 - 46 Grit

### 56314836 - Kit, Deck 3220D

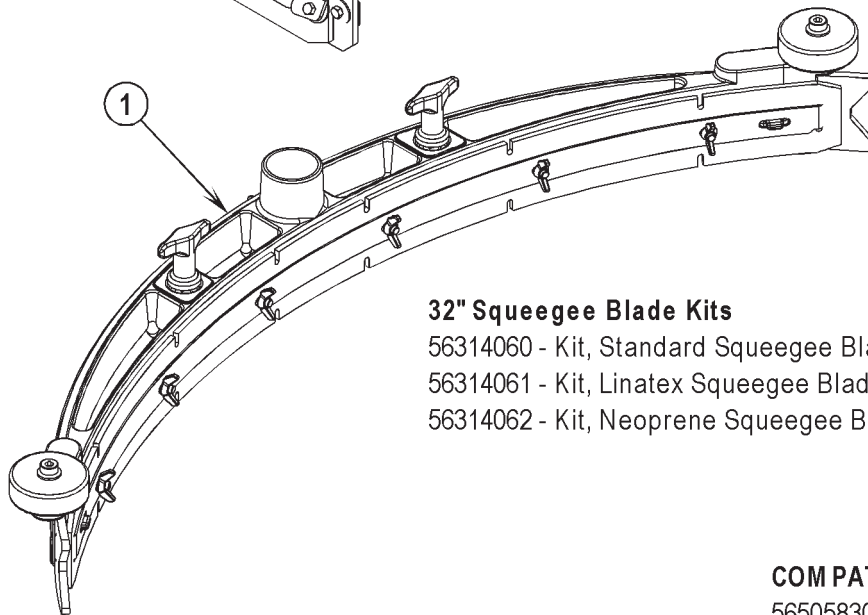


**32" Disk Deck Blade Kits (before Oct. 2004/Single Blade)**

- 56314127 - Kit, Gum Rubber 32" Disk
- 56314173 - Kit, Neoprene 32" Disk
- 56314398 - Kit, Linatex 32" Disk

**32" Disk Deck Blade Kits (after Sept. 2004/Dual Blade)**

- 56314914 - Kit, Gum Rubber 32 Disk
- 56314918 - Kit, Linatex 32 Disk



**32" Squeegee Blade Kits**

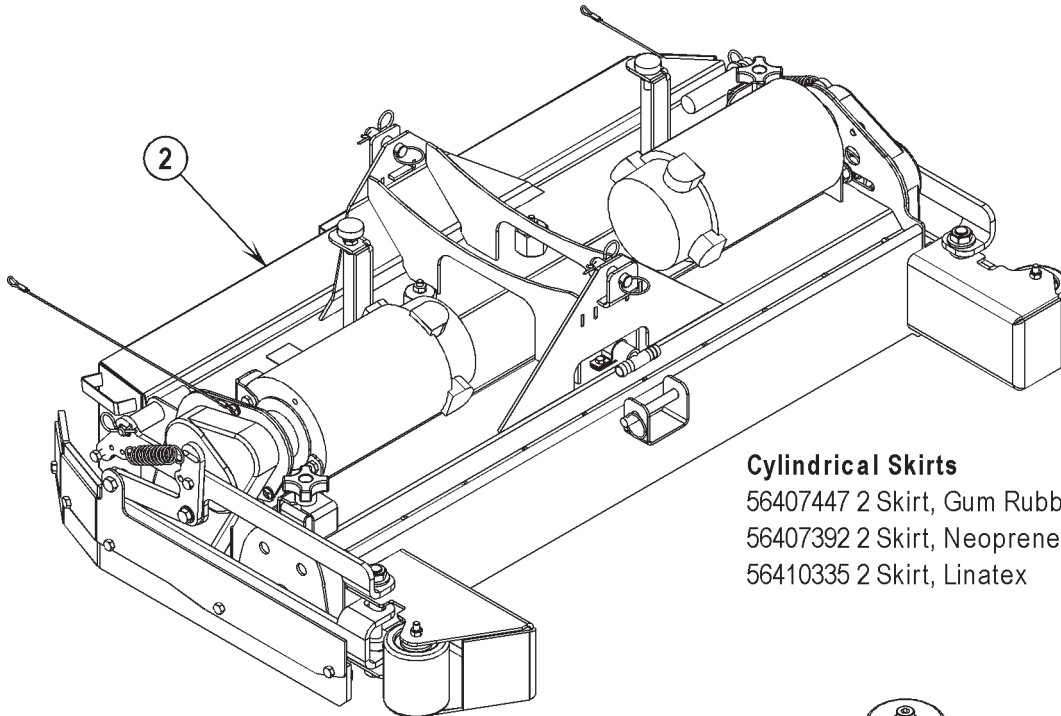
- 56314060 - Kit, Standard Squeegee Blade
- 56314061 - Kit, Linatex Squeegee Blade
- 56314062 - Kit, Neoprene Squeegee Blade

**COMPATIBLE 32" BRUSHES**

- 56505830 - Short Trim Pad Holder
- 56505831 - Magna Grit
- 56505832 - Dyna Grit
- 56505833 - AgLite Grit
- 56505834 - ProLite
- 56505835 - Prolene
- 56505836 - Union Mix
- 56505837 - MidGrit
- 56505838 - MidLite Grit

Item	Ref. No.	Qty	Description
	56314836	1	Kit, Deck 3220D
*	56040833	1	Instruction Sheet
1	56314650	1	Squeegee Assembly
2	56314653	1	32" Disk Deck Assembly

## 56314837 - Kit, Deck 3220C

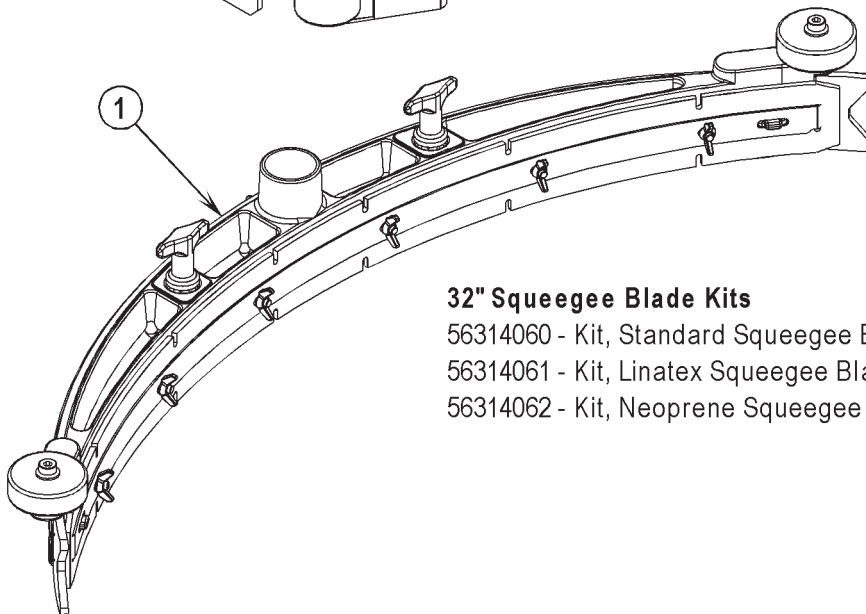


### Cylindrical Skirts

56407447 2 Skirt, Gum Rubber

56407392 2 Skirt, Neoprene

56410335 2 Skirt, Linatex



### 32" Squeegee Blade Kits

56314060 - Kit, Standard Squeegee Blade

56314061 - Kit, Linatex Squeegee Blade

56314062 - Kit, Neoprene Squeegee Blade

Item	Ref. No.	Qty	Description
	56314837	1	Kit, Deck 3220C
*	56040833	1	Instruction Sheet
1	56314650	1	Squeegee Assembly
2	56314655	1	32" Cylindrical Deck Assembly

### COMPATIBLE 32" BRUSHES

56407473 - Soft Nylon

56407474 - Hard Nylon

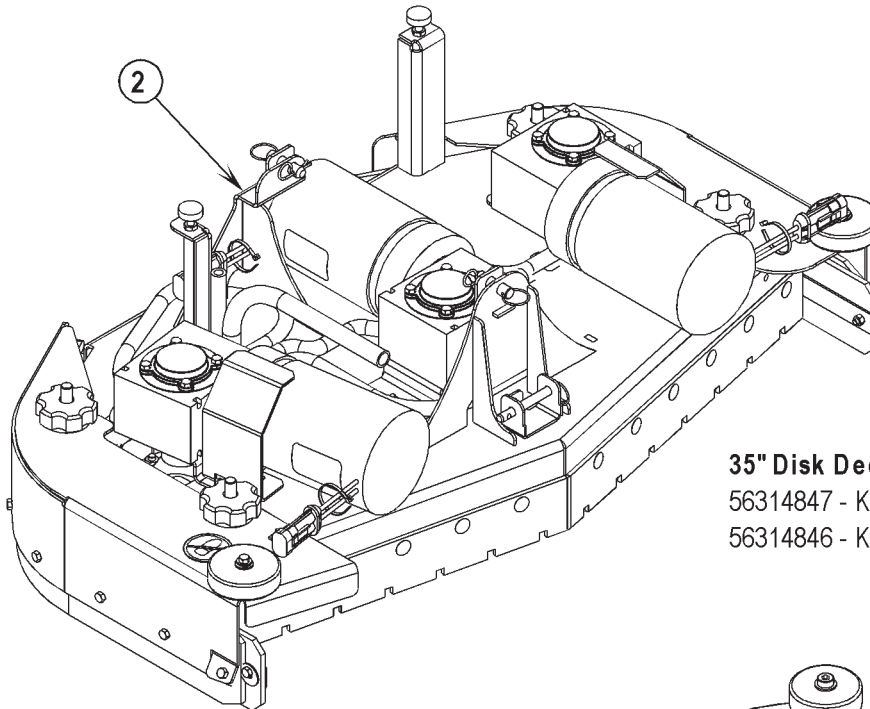
56407475 - Prolene

56407476 - 180 Grit

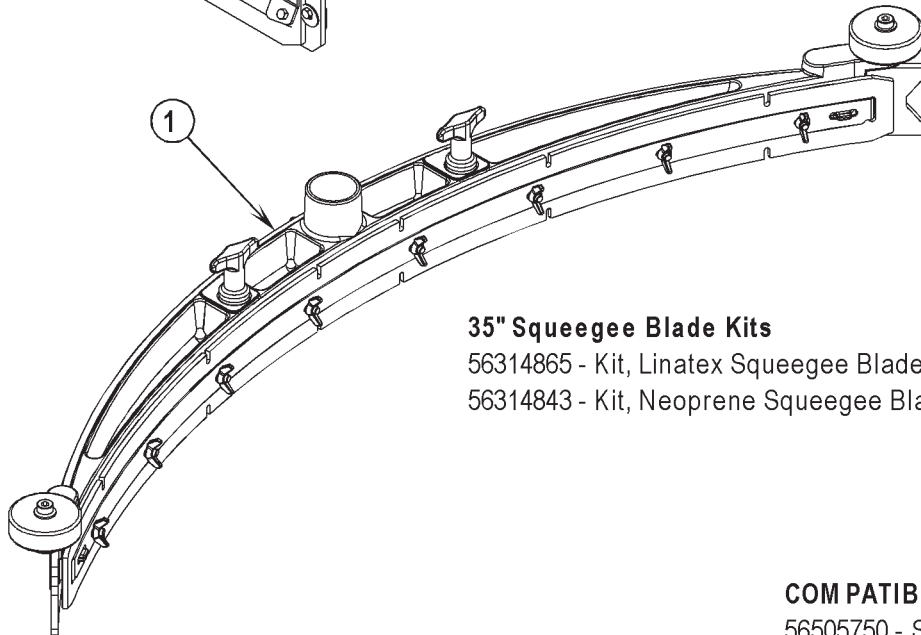
56407477 - 80 Grit

56407478 - 46 Grit

### 56314838 - Kit, Deck 3520D



**35" Disk Deck Blade Kits**  
 56314847 - Kit, Neoprene 35" Disk  
 56314846 - Kit, Linatex 35" Disk

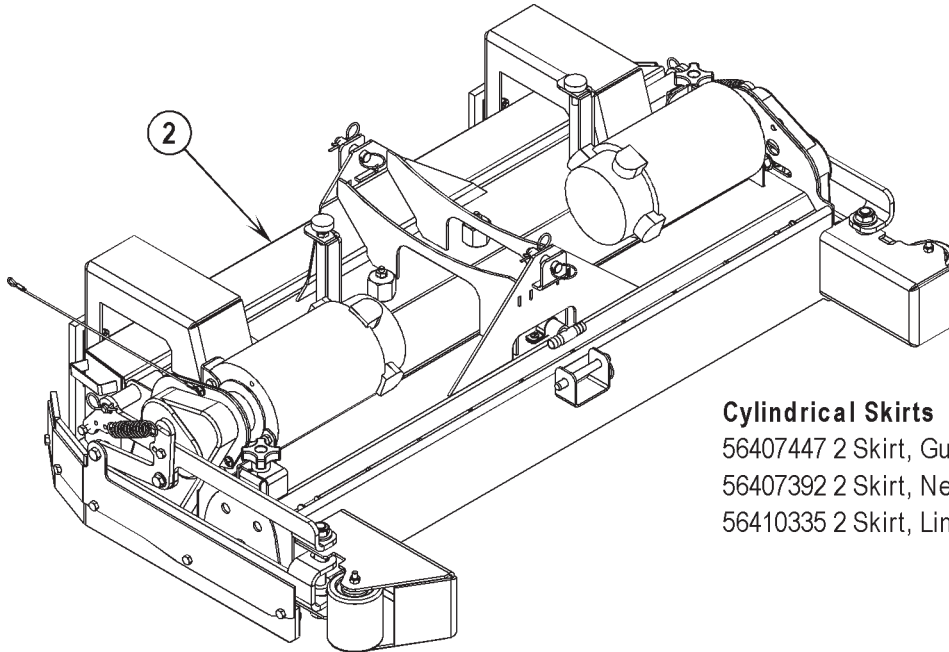


**35" Squeegee Blade Kits**  
 56314865 - Kit, Linatex Squeegee Blade  
 56314843 - Kit, Neoprene Squeegee Blade

**COMPATIBLE 35" BRUSHES**  
 56505750 - Short Trim Pad Holder  
 56505751 - Magna Grit  
 56505752 - Dyna Grit  
 56505753 - AgLite Grit  
 56505754 - ProLite  
 56505755 - Prolene  
 56505756 - Union Mix  
 56505757 - MidGrit  
 56505758 - MidLite Grit

Item	Ref. No.	Qty	Description
	56314838	1	Kit, Deck 3520D
*	56040833	1	Instruction Sheet
1	56314697	1	Squeegee Assembly "D"
2	56314900	1	35" Disk Deck Assembly

## 56314839 - Kit, Deck 3520C

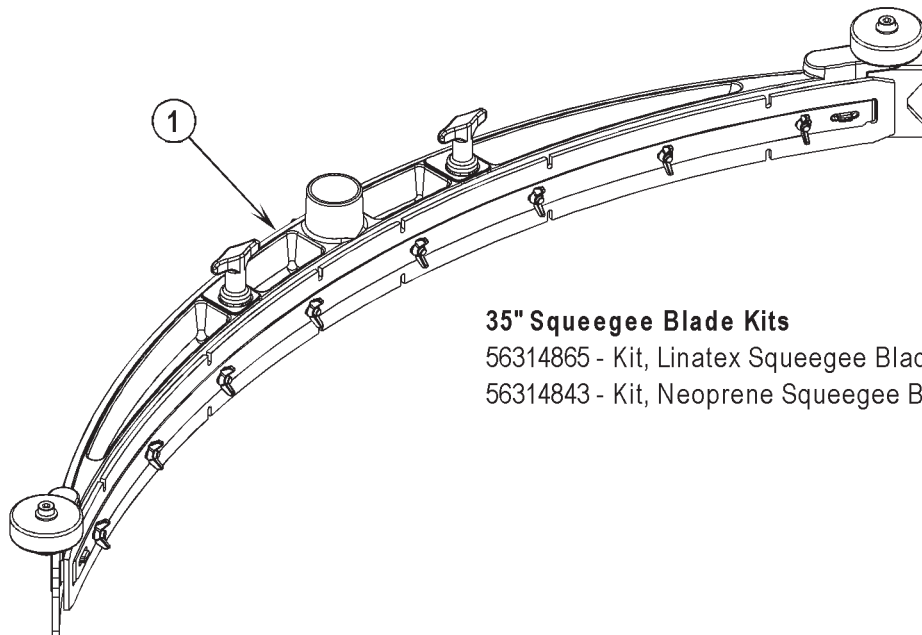


### Cylindrical Skirts

56407447 2 Skirt, Gum Rubber

56407392 2 Skirt, Neoprene

56410335 2 Skirt, Linatex



### 35" Squeegee Blade Kits

56314865 - Kit, Linatex Squeegee Blade

56314843 - Kit, Neoprene Squeegee Blade

Item	Ref. No.	Qty	Description
	56314839	1	Kit, Deck 3520C
*	56040833	1	Instruction Sheet
1	56314697	1	Squeegee Assembly "D"
2	56314777	1	35" Cylindrical Deck Assembly

### COMPATIBLE 35" BRUSHES

56314778 - Soft Nylon

56314779 - Hard Nylon

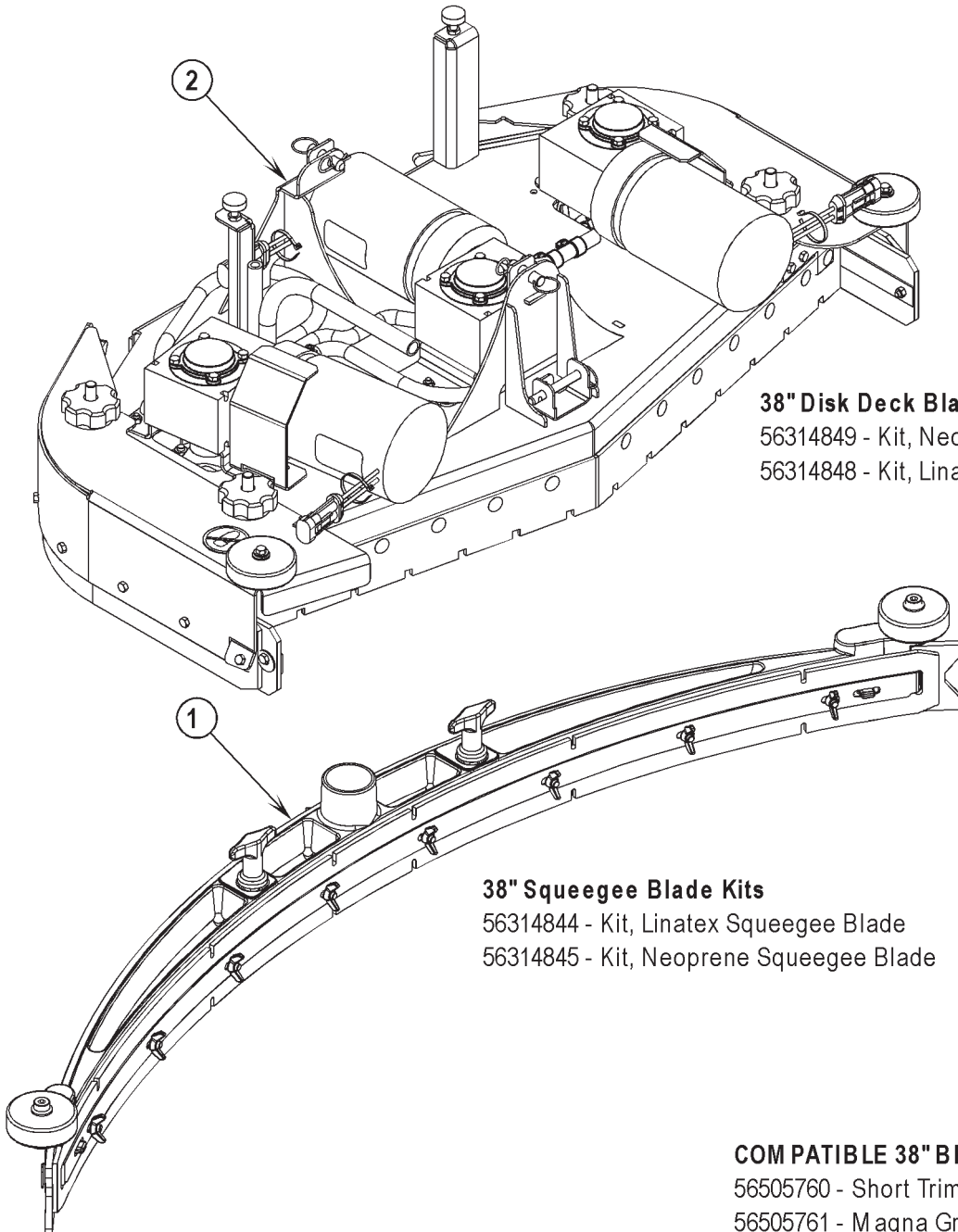
56314780 - Prolene

56314781 - 180 Grit

56314782 - 80 Grit

56314783 - 46 Grit

### 56314840 - Kit, Deck 3820D



**38" Disk Deck Blade Kits**

- 56314849 - Kit, Neoprene 38" Disk
- 56314848 - Kit, Linatex 38" Disk

**38" Squeegee Blade Kits**

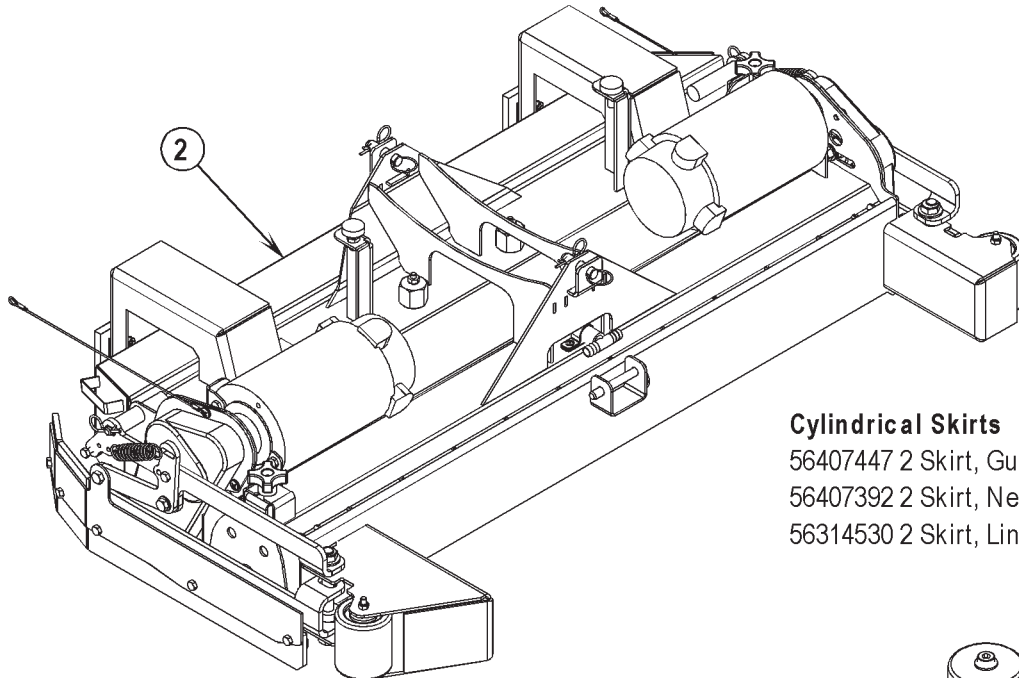
- 56314844 - Kit, Linatex Squeegee Blade
- 56314845 - Kit, Neoprene Squeegee Blade

**COMPATIBLE 38" BRUSHES**

- 56505760 - Short Trim Pad Holder
- 56505761 - Magna Grit
- 56505762 - Dyna Grit
- 56505763 - AgLite Grit
- 56505764 - ProLite
- 56505765 - Prolene
- 56505766 - Union Mix
- 56505767 - MidGrit
- 56505768 - MidLite Grit

Item	Ref. No.	Qty	Description
	56314840	1	Kit, Deck 3820D
*	56040833	1	Instruction Sheet
1	56314803	1	Squeegee Assembly "E"
2	56314901	1	38" Disk Deck Assembly

## 56314864 - Kit, Deck 3820C

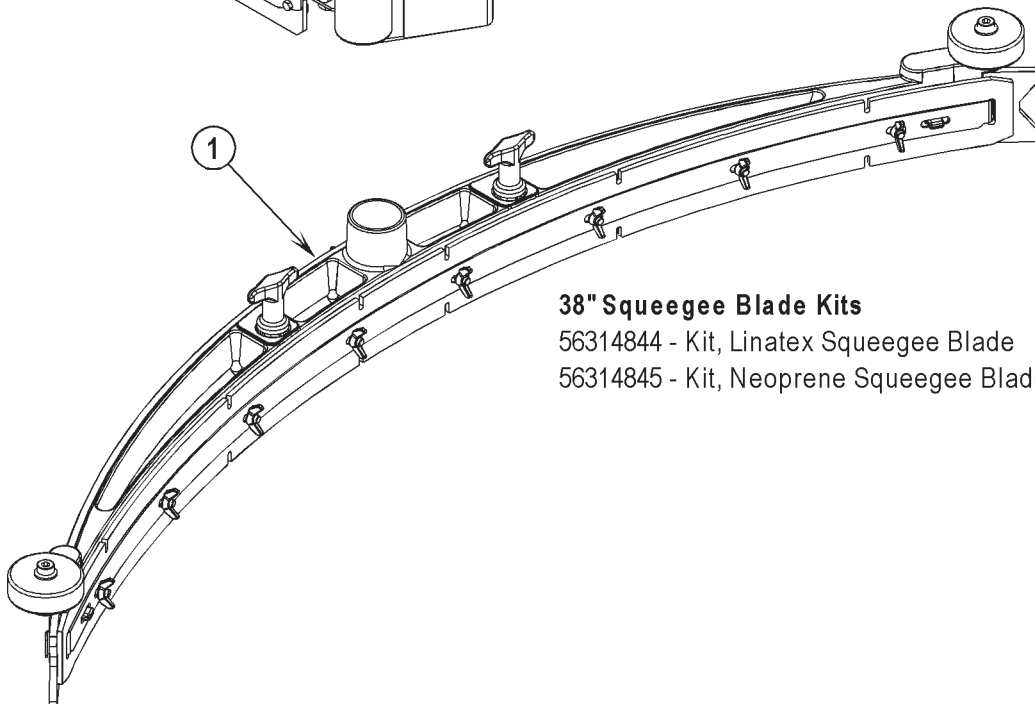


### Cylindrical Skirts

56407447 2 Skirt, Gum Rubber

56407392 2 Skirt, Neoprene

56314530 2 Skirt, Linatex



### 38" Squeegee Blade Kits

56314844 - Kit, Linatex Squeegee Blade

56314845 - Kit, Neoprene Squeegee Blade

Item	Ref. No.	Qty	Description
	56314864	1	Kit, Deck 3820C
*	56040833	1	Instruction Sheet
1	56314803	1	Squeegee Assembly "E"
2	56314815	1	38" Cylindrical Deck Assembly

### COMPATIBLE 38" BRUSHES

56410294 - Soft Nylon

56410295 - Hard Nylon

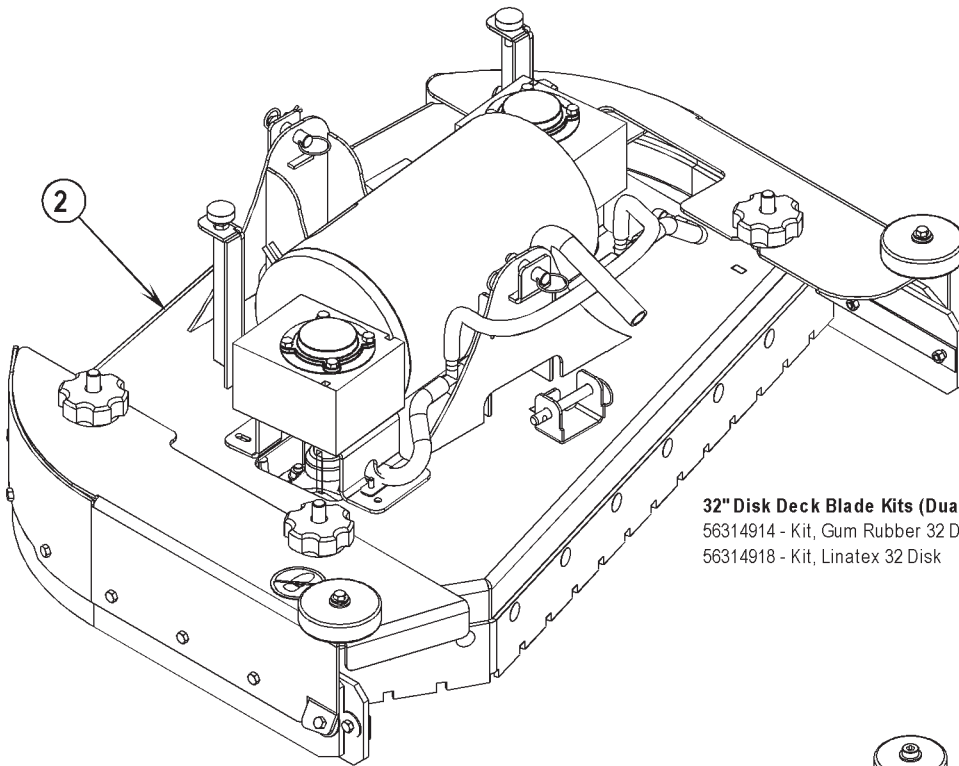
56410293 - Prolene

56410296 - 180 Grit

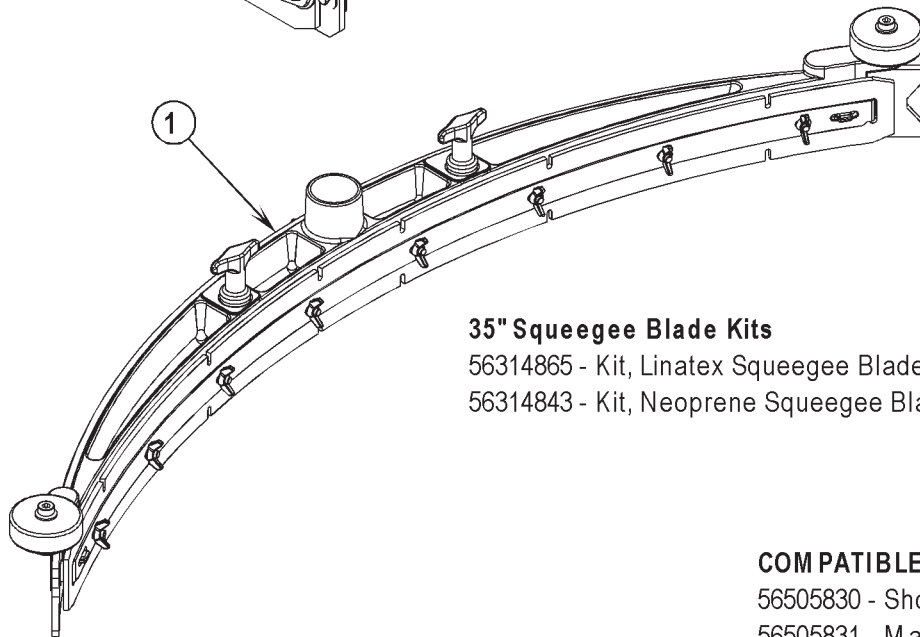
56410297 - 80 Grit

56410298 - 46 Grit

### 56316524 - Kit, Deck BR 850S



**32" Disk Deck Blade Kits (Dual Blade)**  
 56314914 - Kit, Gum Rubber 32 Disk  
 56314918 - Kit, Linatex 32 Disk



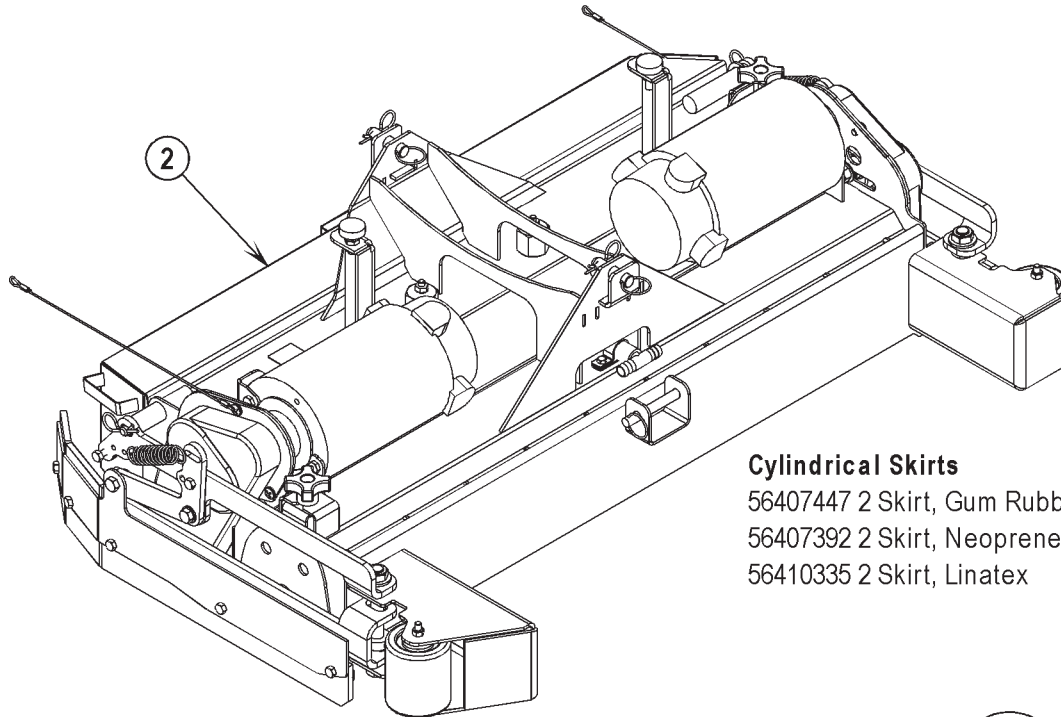
**35" Squeegee Blade Kits**  
 56314865 - Kit, Linatex Squeegee Blade  
 56314843 - Kit, Neoprene Squeegee Blade

**COMPATIBLE 32" BRUSHES**

- 56505830 - Short Trim Pad Holder
- 56505831 - Magna Grit
- 56505832 - Dyna Grit
- 56505833 - AgLite Grit
- 56505834 - ProLite
- 56505835 - Prolene
- 56505836 - Union Mix
- 56505837 - MidGrit
- 56505838 - MidLite Grit

Item	Ref. No.	Qty	Description
	56316524	1	Kit, Deck BR 850S
*	56040833	1	Instruction Sheet
1	56314697	1	Squeegee Assembly
2	56314653	1	32" Disk Deck Assembly

## 56316525 - Kit, Deck BR 850SC

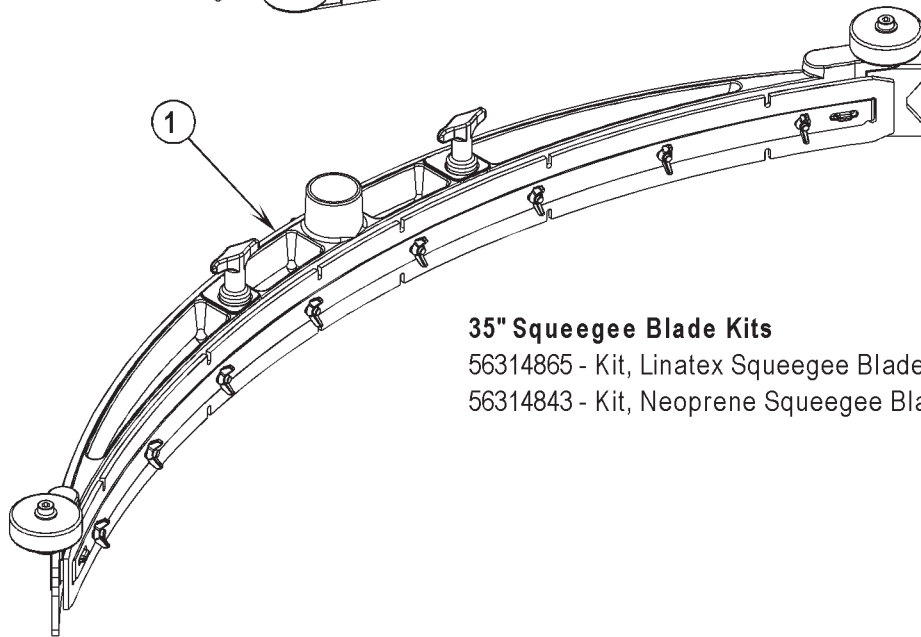


### Cylindrical Skirts

56407447 2 Skirt, Gum Rubber

56407392 2 Skirt, Neoprene

56410335 2 Skirt, Linatex



### 35" Squeegee Blade Kits

56314865 - Kit, Linatex Squeegee Blade

56314843 - Kit, Neoprene Squeegee Blade

Item	Ref. No.	Qty	Description
	56316525	1	Kit, Deck BR 850SC
*	56040833	1	Instruction Sheet
1	56314697	1	Squeegee Assembly
2	56314655	1	32" Cylindrical Deck Assembly

### COMPATIBLE 32" BRUSHES

56407473 - Soft Nylon

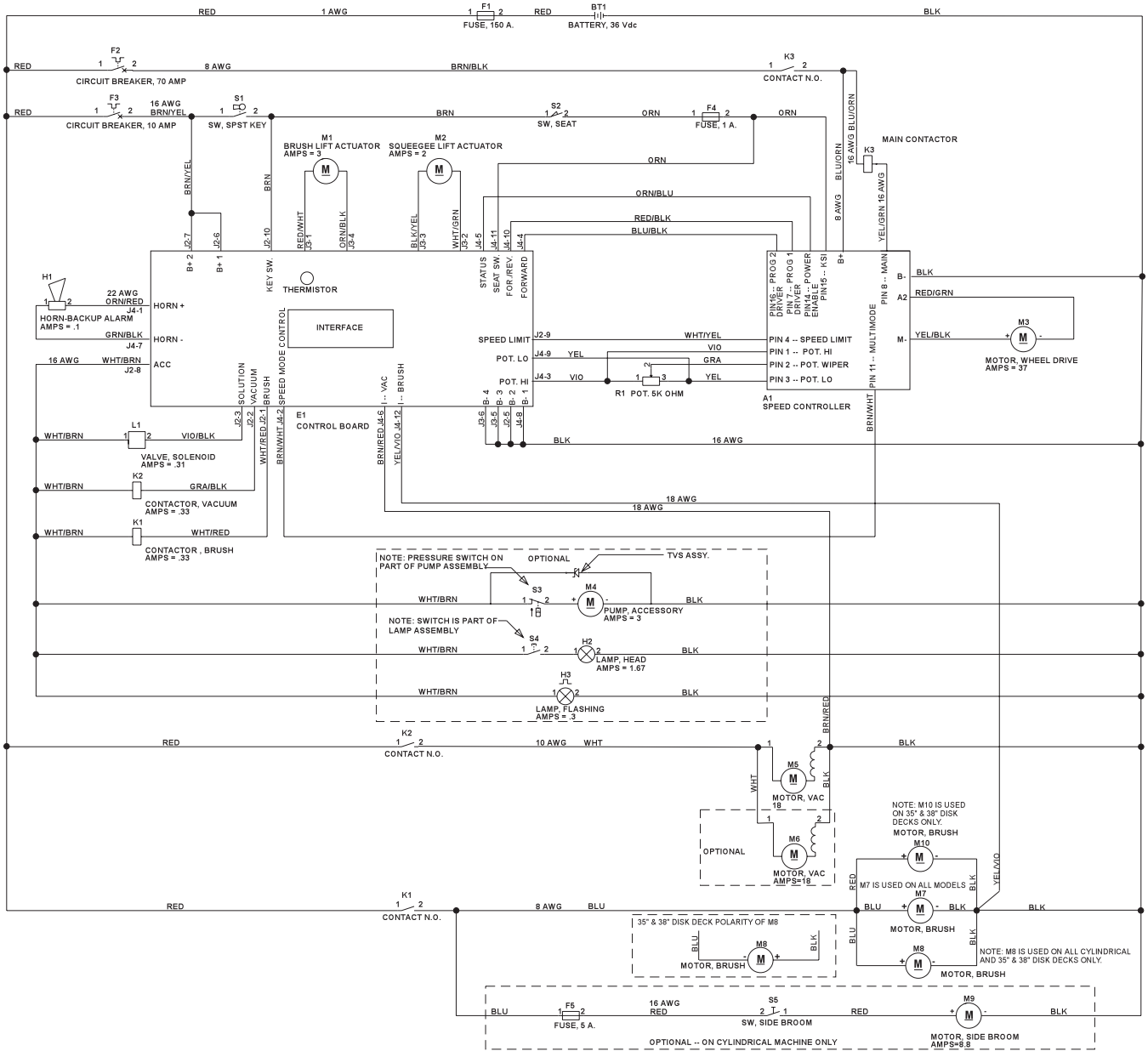
56407474 - Hard Nylon

56407475 - Prolene

56407476 - 180 Grit

56407477 - 80 Grit

56407478 - 46 Grit



REFERENCE: WIRING DIAGRAM 56314680

56015231-REV E

Item	Ref. No.	Qty	Description	Item	Ref. No.	Qty	Description
A1	56314667	1	Controller	M8	56407431	1	Motor, 36VDC, .75HP (All Cylindrical)
BT1	N/A		Battery	*	56417489	1	Armature (for 56407431)
E1	56314665	1	Control Panel Assembly	*	56407490	1	Bearing (for 56407431)
F1	56412089	1	Fuse, 150 Amp	*	56407492	1	Brush Cap Assy (for 56407431)
F2	56454429	1	Circuit Breaker, 70 Amp (Wheel Drive)	*	56407493	4	Carbon Brush Assy (for 56407431)
F3	56387316	1	Circuit Breaker, 10 Amp (Control Circuit)	*	56407494	4	Brush Cover Cap (for 56407431)
F4	N/A	1	Fuse, 1 Amp	M8	56314789	1	Motor Gearbox Assembly (35" & 38" Disk)
F5		1	Fuse, 5 Amp (Side Broom / optional)	*	56314785	1	Gearbox, Replacement
H1	56412177	1	Horn / Backup Alarm	*	56314784	1	Motor, Replacement
H2	56409239	1	Headlight (optional)	*	56314786	1	Kit, Carbon Brush
H3	56416433	1	Strobe Light (optional)	M9	56469530	1	Motor, Side Broom (optional)
K1	56395450	1	Contactora, Brush Motor	M10	56314789	1	Motor Gearbox Assembly (35" & 38" Disk)
K2	56395450	1	Contactora, Vac Motor	*	56314785	1	Gearbox, Replacement
K3	56395450	1	Contactora, Wheel Drive	*	56314784	1	Motor, Replacement
L1	56397215	1	Solenoid Valve	*	56314786	1	Kit, Carbon Brush
M1	56393303	1	Lift Actuator, Brush	R1	56454740	1	Potentiometer, 5K
*	56470433	1	Carbon Brush Kit	S1	56396188	1	Switch, Key
*	56393790	2	Limit Switch	*	56396189	1	Key, Spare
*	56388520	1	Plastic Nut	S2	56409613	1	Switch, Seat
M2	56397230	1	Lift Actuator, Squeegee	S3	N/A	1	Switch, Pump (part of M4)
M3	56314635	1	Motor / Drive Wheel Assy	S4	N/A	1	Switch, Headlight (part of H2)
M4	56212014	1	Motor, Pump (optional)	S5	56372088	1	Switch, Side Broom (optional)
M5	56397228	1	Motor, Vac 36VDC				
*	56212223	1	Carbon Brush Set				
M6	56397228	1	Motor, Vac 36VDC (optional)				
*	56212223	1	Carbon Brush Set				
M7	56314141	1	Motor Gearbox Assy (28" / Disk)				
*	56314335	1	Motor Gearbox Assy (32" / Disk)				
*	56314359	2	Key, 6mm Square				
*	56314499	2	Cover, Gearbox				
*	56314560	2	Gearbox				
*	56314580	1	Bearing (Fan End)				
*	56314581	1	Bearing (Brush End)				
*	56314582	1	Brush Ring				
*	56314583	4	Carbon Brush				
*	56314584	1	Safety Hook				
M7	56407431	1	Motor, 36VDC, .75HP (All Cylindrical)				
*	56417489	1	Armature (for 56407431)				
*	56407490	1	Bearing (for 56407431)				
*	56407492	1	Brush Cap Assy (for 56407431)				
*	56407493	4	Carbon Brush Assy (for 56407431)				
*	56407494	4	Brush Cover Cap (for 56407431)				
M7	56314789	1	Motor Gearbox Assembly (35" & 38" Disk)				
*	56314785	1	Gearbox, Replacement				
*	56314784	1	Motor, Replacement				
*	56314786	1	Kit, Carbon Brush				

\* = Not Shown

\*\* = Optional

We provide brushes and pad holders that will give you the best possible performance between machine and floor. Following are descriptions of the materials and their applications.

- Union Mix:** Medium grade natural fibers for polishing finished floors with standard-speed equipment. Recommended for use in place of white pads.
- ProLite:** Bristles are made from light-duty polypropylene for general scrubbing when you do not want to scratch or remove finish from the floor. Recommended for use in place of red pads.
- Prolene:** Polypropylene material for medium-duty scrubbing on concrete, terrazzo and vinyl floor tile. Recommended for use in place of green or blue pads.
- Magna Grit:** For extreme heavy-duty scrubbing or stripping of floors. This brush has extra large diameter silicon carbide grit impregnated synthetic bristles. Recommended for use in place of black pads.
- Dyna Grit:** For aggressive, heavy-duty scrubbing or stripping of floors. Recommended for use in place of brown pads.
- MidLite Grit:** For general purpose scrubbing of sealed or unsealed concrete, stone, terrazzo, quarry tile and other resilient hard floor surfaces. Recommended for use in place of green or blue pads.
- MidGrit:** For general purpose scrubbing when you need a lighter action for sealed or unsealed concrete, stone, terrazzo, quarry tile and other resilient hard floor surfaces. Recommended for use in place of green or blue pads.
- AgLite Grit:** For light scrubbing when used wet; buffing or polishing when used dry on urethane coated, sealed concrete or other resilient hard surface floors. Recommended for use in place of red or white pads.
- Short Trim Pad Holder:** Made with a structural foam block and center ring for correct pad centering. It has a "shower feed" design for getting solution to the floor.

**28" BRUSHES**

- 56505800 - Short Trim Pad Holder
- 56505801 - Magna Grit
- 56505802 - Dyna Grit
- 56505803 - AgLite Grit
- 56505804 - ProLite
- 56505805 - Prolene
- 56505806 - Union Mix
- 56505807 - MidGrit
- 56505808 - MidLite Grit

**32" BRUSHES**

- 56505830 - Short Trim Pad Holder
- 56505831 - Magna Grit
- 56505832 - Dyna Grit
- 56505833 - AgLite Grit
- 56505834 - ProLite
- 56505835 - Prolene
- 56505836 - Union Mix
- 56505837 - MidGrit
- 56505838 - MidLite Grit

**35" BRUSHES**

- 56505750 - Short Trim Pad Holder
- 56505751 - Magna Grit
- 56505752 - Dyna Grit
- 56505753 - AgLite Grit
- 56505754 - ProLite
- 56505755 - Prolene
- 56505756 - Union Mix
- 56505757 - MidGrit
- 56505758 - MidLite Grit

**38" BRUSHES**

- 56505760 - Short Trim Pad Holder
- 56505761 - Magna Grit
- 56505762 - Dyna Grit
- 56505763 - AgLite Grit
- 56505764 - ProLite
- 56505765 - Prolene
- 56505766 - Union Mix
- 56505767 - MidGrit
- 56505768 - MidLite Grit

**DISC BRUSH APPLICATION GUIDE (SUGGESTION ONLY)**

Application	46 Grit	80 Grit	180 Grit	240 Grit	500 Grit	Prolene	Prolite	Union Mix
<b>Stripping:</b>								
Concrete	X	X						
Terrazzo	X	X						
Ceramic/Quarry tile		X						
Vinyl tile		X						
<b>General Scrubbing:</b>								
Concrete	X	X	X	X		X		
Terrazzo			X	X	X	X		
Ceramic/Quarry tile			X	X	X	X		
Marble					X		X	
Vinyl tile			X		X	X		
Raised-rubber tile					X		X	
<b>Polishing:</b>								
Raised Disc Tile								X
Marble								X
Vinyl tile								X

We provide brushes and pad holders that will give you the best possible performance between machine and floor. Following are descriptions of the materials and their applications.

- 46 Grit Brush:** Most aggressive grit brush. Used primarily to clean heavy buildup on concrete floors in factories, or for heavy stripping of finish.
- 80 Grit Brush:** Medium aggressive grit brush. Good all-around brush for medium to heavy buildup removal. Can also be used for general stripping operations.
- 180 Grit Brush:** Least aggressive grit brush. Used for daily cleaning of hard-finished floors.
- Polypropylene Brush:** Standard equipment brush. Low cost, yet effective in cleaning many common floor surfaces.
- Stiff Nylon Brush:** Cleaning action similar to polypropylene. More durable and wear-resistant than polypropylene.
- Soft Nylon Brush:** Least aggressive brush available. Used on soft-finish floors where a more aggressive brush would leave scratch marks, or in applications requiring very light cleaning.

**28" BRUSHES**

56412191 - Soft Nylon  
 56412192 - Hard Nylon  
 56412046 - Prolene  
 56412193 - 180 Grit  
 56412194 - 80 Grit  
 56412195 - 46 Grit

**32" BRUSHES**

56407473 - Soft Nylon  
 56407474 - Hard Nylon  
 56407475 - Prolene  
 56407476 - 180 Grit  
 56407477 - 80 Grit  
 56407478 - 46 Grit

**35" BRUSHES**

56314778 - Soft Nylon  
 56314779 - Hard Nylon  
 56314780 - Prolene  
 56314781 - 180 Grit  
 56314782 - 80 Grit  
 56314783 - 46 Grit

**38" BRUSHES**

56410294 - Soft Nylon  
 56410295 - Hard Nylon  
 56410293 - Prolene  
 56410296 - 180 Grit  
 56410297 - 80 Grit  
 56410298 - 46 Grit

**CYLINDRICAL BRUSH APPLICATION GUIDE (SUGGESTION ONLY)**

Application	46 Grit	80 Grit	180 Grit	Polypropylene	Stiff Nylon	Soft Nylon
<b>Stripping:</b>						
Concrete	X	X				
Terrazzo	X	X				
Ceramic/Quarry tile		X				
Vinyl tile		X				
<b>General Scrubbing:</b>						
Concrete	X	X	X	X	X	
Terrazzo			X	X	X	X
Ceramic/Quarry tile			X	X	X	X
Marble			X		X	X
Vinyl tile			X	X	X	X
Raised-rubber tile			X			X

Item	Ref. No.	Qty	Description	Item	Ref. No.	Qty	Description
<b>Optional Kits</b>				<b>Accessories</b>			
**	56314753	A/R	Kit, Onboard Charger <b>TSBUS2004-872</b>	**	56409441	A/R	Programmer, 1311 User
**	56314301	A/R	Kit, Seat Armrests	**	56409823	A/R	Programmer Cable
**	56314302	A/R	Kit, Warning Beacon	<b>Optional Batteries</b>			
**	56314306	A/R	Kit, Right Side Broom	**	56388582	6	Battery, 6V, 395A/H
**	56314308	A/R	Kit, Scrub-N-Vac Tool W/Pump	**	56391391	6	Battery, 6V, 305A/H
**	56314312	A/R	Kit, Seatbelt	**	56206079	6	Battery, 6V, 235A/H
**	56314313	A/R	Kit, Headlight	<b>Optional Battery Chargers</b>			
**	56314338	A/R	Kit, Dual Vac Motor	**	56395101	A/R	Charger, 36VDC, Auto, 20Amp, 120VAC/60HZ
**	56314834	A/R	Kit, Deck 2820D	**	56388502	A/R	Charger, 36VDC, Auto, 25Amp, 120VAC/60HZ
**	56314835	A/R	Kit, Deck 2820C	**	56388120	A/R	Charger, 36VDC, Auto, 36Amp, 120VAC/60HZ
**	56314836	A/R	Kit, Deck 3220D	**	56372190	A/R	Charger, 36VDC, 20Amp, 230VAC/50HZ
**	56314837	A/R	Kit, Deck 3220C	**	56388119	A/R	Charger, 36VDC, 36Amp, 230VAC/50HZ
**	56314838	A/R	Kit, Deck 3520D	** = Optional, Not Included			
**	56314839	A/R	Kit, Deck 3520C				
**	56314840	A/R	Kit, Deck 3820D				
**	56314864	A/R	Kit, Deck 3820C				
**	56316524	A/R	Kit, Deck BR 850S				
**	56316525	A/R	Kit, Deck BR 850SC				
<b>28" Squeegee Blade Kits</b>							
**	56314303	1	Kit, Standard Squeegee Blade <b>NOTE #1</b>				
**	56314304	1	Kit, Linatex Squeegee Blade <b>NOTE #1</b>				
**	56314305	1	Kit, Neoprene Squeegee Blade <b>NOTE #1</b>				
<b>32" Squeegee Blade Kits</b>							
**	56314060	1	Kit, Standard Squeegee Blade <b>NOTE #1</b>				
**	56314061	1	Kit, Linatex Squeegee Blade <b>NOTE #1</b>				
**	56314062	1	Kit, Neoprene Squeegee Blade <b>NOTE #1</b>				
<b>35" Squeegee Blade Kits</b>							
**	56314865	1	Kit, Linatex Squeegee Blade <b>NOTE #1</b>				
**	56314843	1	Kit, Neoprene Squeegee Blade <b>NOTE #1</b>				
<b>38" Squeegee Blade Kits</b>							
**	56314844	1	Kit, Linatex Squeegee Blade <b>NOTE #1</b>				
**	56314845	1	Kit, Neoprene Squeegee Blade <b>NOTE #1</b>				
<b>28" Disk Deck Blade Kits (Before TSBUS2004-884)</b>							
**	56314126	1	Kit, Gum Rubber 28 Disk <b>NOTE 2</b>				
**	56314172	1	Kit, Neoprene 28 Disk <b>NOTE 2</b>				
**	56314397	1	Kit, Linatex 28 Disk <b>NOTE 2</b>				
<b>28" Disk Deck Blade Kits (After TSBUS2004-884)</b>							
**	56314913	1	Kit, Gum Rubber 28 Disk <b>NOTE 2</b>				
**	56314917	1	Kit, Linatex 28 Disk <b>NOTE 2</b>				
<b>32" Disk Deck Blade Kits (Before TSBUS2004-884)</b>							
**	56314127	1	Kit, Gum Rubber 32 Disk <b>NOTE #2</b>				
**	56314173	1	Kit, Neoprene 32 Disk <b>NOTE #2</b>				
**	56314398	1	Kit, Linatex 32 Disk <b>NOTE #2</b>				
<b>32" Disk Deck Blade Kits (After TSBUS2004-884)</b>							
**	56314914	1	Kit, Gum Rubber 32 Disk <b>NOTE 2</b>				
**	56314918	1	Kit, Linatex 32 Disk <b>NOTE 2</b>				
<b>35" Disk Deck Blade Kit</b>							
**	56314847	1	Kit, Neoprene 35 Disk <b>NOTE 2</b>				
**	56314846	1	Kit, Linatex 35 Disk <b>NOTE 2</b>				
<b>38" Disk Deck Blade Kits</b>							
**	56314849	1	Kit, Neoprene 38 Disk <b>NOTE 2</b>				
**	56314848	1	Kit, Linatex 38 Disk <b>NOTE 2</b>				

**NOTE #1:** Squeegee Blade Kits include both front & rear squeegee blades.

**NOTE #2:** Disk Deck Blade Kits include required mounting fasteners (Rivet, Nylon Tree Push-In 56003263) and both deck & skirt assembly blades.



---

**Austria (Sales Sub)**

Nilfisk-Advance GmbH	Phone: +43
Voralberger Allee 46	1616 58 30 22
A-1230 Wien	Fax: +43
<a href="mailto:info@nilfisk-advance.at">info@nilfisk-advance.at</a>	1616 58 30 40
<a href="http://www.nilfisk-advance.at">www.nilfisk-advance.at</a>	

---

**Belgium (Sales Sub)**

Nilfisk-Advance NV/SA	Phone: +32
Doornveld Sphere Business Park	(0)2467 60 50
Industrie Asse 3, No. 11	Fax: +32
B-1731 Zellik-Asse	(0)2463 44 16
<a href="http://www.nilfisk-advance.be">www.nilfisk-advance.be</a>	

---

**Czech Republic (Sales Sub)**

Nilfisk-Advance s.r.o.	Phone: +420
Lysinská 44/1863	2 44 09 09 12
143 00 Praha - Modrany	+420
Czech Republic	2 44 09 09 21 4
	Fax: +420
	2 44 40 23 93

---

**Denmark**

Nilfisk-Advance A/S	Phone: +45
Sognevej 25	43 23 81 00
DK-2605 Brøndby	Fax: +45
<a href="mailto:mail@nilfisk-advance.dk">mail@nilfisk-advance.dk</a>	43 43 77 00
<a href="http://www.nilfisk-advance.com">www.nilfisk-advance.com</a>	

---

**Denmark (Prod. Sub)**

Gerni A/S	Phone: +45
Myntevej 2	89 12 22 00
DK-8900 Randers	Fax: +45
<a href="http://www.gerni.com">www.gerni.com</a>	86 43 14 81

---

**Denmark (Sales Sub)**

Nilfisk-Advance Nordic A/S	Phone: +45
Sognevej 25A	43 23 40 50
Postbox 344	Fax: +45
DK-2605 Brøndby	43 23 40 60
<a href="mailto:kundeservice@nilfisk-advance.dk">kundeservice@nilfisk-advance.dk</a>	
<a href="http://www.nilfisk-advance.dk">www.nilfisk-advance.dk</a>	

---

**France (Sales Sub)**

Nilfisk-Advance S.A.	Phone: +33
27 avenue de la Baltique	1695 98 700
Villebon sur Yvette	Fax: +33
P.B. 246	1695 98 701
F-91944 Courtaboeuf Cedex	
<a href="mailto:info@nilfisk-advance.fr">info@nilfisk-advance.fr</a>	
<a href="http://www.nilfisk-advance.fr">www.nilfisk-advance.fr</a>	

---

**Germany (Sales Sub)**

Nilfisk-Advance AG	Phone: +49
Siemensstrasse 25-27	4101 3990
Postfach 1361	Fax: +49
D-25462 Rellingen	4101 39 91 91
<a href="mailto:info@nilfisk-advance.de">info@nilfisk-advance.de</a>	
<a href="http://www.nilfisk-advance.de">www.nilfisk-advance.de</a>	

---

**Greece (Sales Sub)**

Nilfisk-Advance A.E.	Tel.: +30
8, Thoukididou Str.	210 963 3443
Argioupoli	Fax: +30
Gr - 164 52 Athens	210 965 0975
Greece	

---

---

**Holland (Sales Sub)**

Nilfisk-Advance B.V.	Phone: +31
Camerastraat 9 (2e verdieping)	36 546 07 00
1322 BB Almere	Fax: +31
Postbus 60112	36 523 51 48
1320 AC Almere	
<a href="http://www.nilfisk-advance.nl">www.nilfisk-advance.nl</a>	

---

**Ireland (Sales Sub)**

Nilfisk-Advance Limited	Phone: +35
28 Sandyford Office Park	3 12 94 38 38
Sandyford, Dublin 18	Fax: +35
Ireland	3 12 94 38 45

---

**Italy (Prod & Sales Sub)**

CFM SpA	Phone: +39
Nilfisk-Advance Div. Guardamiglio	0377 /414021
Localita Novella III	/45 1124
I-26862 Guardamiglio (Mi)	Fax: +39
	0377 51 443

---

**Italy (Prod & Sales Sub)**

CFM S.p.A.	Phone: +39
Via Porrettana 1991	059 973 0000
I-41059 Zocca (Modena)	Fax: +39
<a href="mailto:cfm@cfm.it">cfm@cfm.it</a>	059 973 0099

---

**Norway (Sales Sub)**

Nilfisk-Advance AS	Phone: +47
Ulvenveien 89C	23 06 75 00
N-0581 Oslo	Fax: +47
	23 06 75 01

---

**Poland (Sales Sub)**

Nilfisk-Advance Sp.Z.O.O.	Phone: +48
05-800 Pruszków	22 738 37 50
ul. 3-go MAJA 8	Fax: +48
Poland	22 738 37 51

---

**Portugal (Sales Sub)**

Nilfisk-Advance, Lda.	Phone: +35
Sintra Business Park	121 911 2670
Zona Industrial Da Abrunheira	Fax: +35
Edificio 1, 1o A	121 911 2679
P-2710-089 Sintra	

---

**Russia (Sales Sub)**

Nilfisk-Advance LLC	Phone: 7
Vyatskaya str. 27, bld. 7	095 783 9602
127015 Moscow	Fax: +7
Russia	095 783 9603

---

**Spain (Sales Sub)**

Nilfisk-Advance S.A.	Phone: +34
Torre D'Ara	93 741 2400
Passeig del Rengle, 5 Pl.10	Fax: +34
E-08302 Mataró (Barcelona)	93 757 8020
<a href="mailto:nilfisk@nilfisk-advance.es">nilfisk@nilfisk-advance.es</a>	

---

**Sweden (Sales Sub)**

Nilfisk -Advance A/S	Phone: +46
Sjöbjörnsvägen 5	8555 94400
Box 44045	Fax: +46
S-100 73 Stockholm	8555 94430
<a href="mailto:info@nilfisk-advance.se">info@nilfisk-advance.se</a>	
<a href="http://www.nilfisk-advance.se">www.nilfisk-advance.se</a>	

---

---

**Sweden (Prod.)**

Nilfisk-Advance A/S	Phone: +46
Åmål Branch	5321 7500
Strömsbergsgatan	Fax: +46
Box 127	5321 7595
S-662 23 Åmål	

---

**Switzerland (Sales Sub)**

Nilfisk-Advance AG	Phone: +41
Ringsstrasse 19	71 92 38 444
Kirchberg/Industrie Stelzl	Fax: +41
CH-9500 Wil	71 92 35 283

[www.nilfisk-advance.ch](http://www.nilfisk-advance.ch)

---

**UK (Sales Sub)**

Nilfisk-Advance Limited	Phone: +44
Newmarket Road	1284 763163
Bury St. Edmunds	Fax: +44
UK-Suffolk IP33 3SR	1284 750 562

---

**USA (Prod.)**

Nilfisk-Advance Inc.	Phone: +1 763
14600 21.st Avenue North	745 3500
Plymouth, MN 55447-3408	Fax: +1 763
<a href="http://www.mn.nilfisk-advance.com">www.mn.nilfisk-advance.com</a>	745 3718

---

**USA (Sales Sub)**

Nilfisk-Advance America Inc.	Phone: +1 610
300 Technology Drive	647 6420
Malvern, PA 19355	Fax: +1 610
<a href="http://www.pa.nilfisk-advance.com">www.pa.nilfisk-advance.com</a>	647 6427

---

**Canada (Sales Sub)**

Nilfisk-Advance Canada Comp.	Phone: +1 905
396 Watline Avenue	712 3260
Mississauga, Ontario L4Z 1X2	Fax: +1 905
	712 3255

---

**Australia (Sales Sub)**

Nilfisk-Advance Pty. Ltd.	Phone: +61(0)2
48 Egerton Street	9648 2700
Silverwater, NSW 2128	Fax: +61(0)2
Postal addresse:	9648 2711
PO Box 6046	
Silverwater. NSW 1811	
<a href="mailto:info@nilfisk-advance.com.au">info@nilfisk-advance.com.au</a>	
<a href="http://www.nilfisk-advance.com.au">www.nilfisk-advance.com.au</a>	

---

**China (Shenzhen)**

Nilfisk-Advance (Shenzhen) Ltd	Phone: +86 755
Blok 3, Unit 130, 1001 Honghua Road	8359 7937 el.
Int. Commercial & Trade Center	8359 7939-42
Fuitian Free Trade Zone	Fax: +86 755
518038 Shenzhen	8359 1063
P.R. China	

---

**China (Suzhou)**

Nilfisk-Advance Professional	Phone: +86 512
Cleaning Equipment (Suzhou) Co. Ltd.	8918 5656
306 Su Hong Zhong Road, Build. 2	Fax: +86 512
Suzhou Industrial Park	8918 5666
215021 Suzhou	
P.R. China	

---

---

**Hong Kong (Sales Sub)**

Nilfisk-Advance Ltd.	Phone: +852
2001 HK Worsted Mills Ind'l Bldg.,	2427 5951
31-39 Wo Tong Tsui St.	Fax: +852
Kwai Chung, Hong Kong	2487 5828

---

**Japan (Sales Sub)**

Nilfisk-Advance Inc.	Phone: +8145
3-17-40-101 Chigasaki Higashi	942 7741
Tsuzuki-ku, Yokohama 224-0033	Fax: +8145
Japan	942 6545

---

**Malaysia (Sales Sub)**

Nilfisk-Advance Sdn Bhd	Phone: +60 3
No. 21, Jalan SS 25/41	7956 8188
Mayang Industrial Park	Fax: +60 3
47301 Petaling Jaya	7966 6828
Selangor, Malaysia	

---

**New Zealand (Sales Sub)**

Nilfisk-Advance Limited	Phone: +64(0)9
Danish House	525 0092
6 Rockridge Avenue	Fax: +64(0)9
Penrose 92-829	525 6440
Auckland1135	
Postal addresse:	
Private Bag 92 825	
Auckland	
New Zealand	

---

**Singapore (Sales Sub)**

Nilfisk-Advance Pte. Ltd.	Phone: + 65
22,Woodlands Industrial Park E1	6 7599100
Singapore 757740	Fax: +65
<a href="mailto:sales@nilfisk-advance.com.sg">sales@nilfisk-advance.com.sg</a>	7599133

---

**Taiwan, ROC (Sales Sub)**

Nilfisk-Advance Ltd.	Phone: +886
Taiwan Branch (H.K.)	2 2239 8812
1F, No. 193, Sec.2	Fax: +886
Xing Long Rd., Taipei	2 2239 8832
Taiwan, R.O.C.	

---

**Thailand (Sales Sub)**

Nilfisk-Advance Co. Ltd.	Phone: +66 2
89 Soi Chokechai-Ruammitr	275-5630
Viphavadee-Rangsit Road	Fax: +66 2
Ladyao, Jatuchak, Bangkok 10900	691-4079
Thailand	



[www.nilfisk-advance.com](http://www.nilfisk-advance.com)

© 2005 Printed in USA