



Electronic Service Manuals

This electronic document is provided as a service to our customers. We do not create the contents of the information contained in this document. Should you have detailed questions pertaining to the information contained in this document, you may contact Michco, or the manufacturer which provided the original information in this electronic deliverable. Michco's only part in this electronic deliverable was the electronic assembly process.

You may contact Michco through the following methods:
Phone (517) 484-9312 or (800) 331-3339 MI, OH, IN only
2011 N. High St. -- Lansing, Michigan -- 48906
Fax: (517) 484-9836
Email: CustServ@Michco.com
Web site: www.Michco.Com
Parts Web site: www.FloorMachineParts.Com

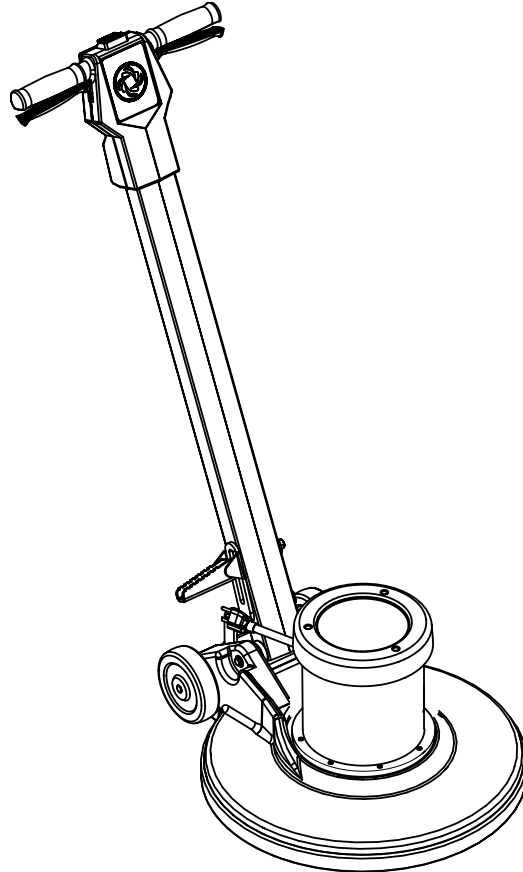
Order Parts on Line at:
www.FloorMachineParts.Com

Directly to Parts & Service:
By Email: **Shop@Michco.com**
By Fax: (517) 702-2041
By Voice: Use numbers above.

Serving the Cleaning Industry Since 1922

Notice: All copyrighted material remains property of original owners, all trademarks are property of respective owners. Manuals are subject to Manufacturer's reproduction limitations. Originals or reproductions were provided by manufacturers through a request. We make no warranty as to the correctness of information provided in this document and you assume all risk.

SD 17 / 20



PARTS LIST

**Nilfisk MODELS 56201706, 56201707, 56201702, 56201704,
56201703, 56201705**



**Nilfisk
Advance**

setting standards

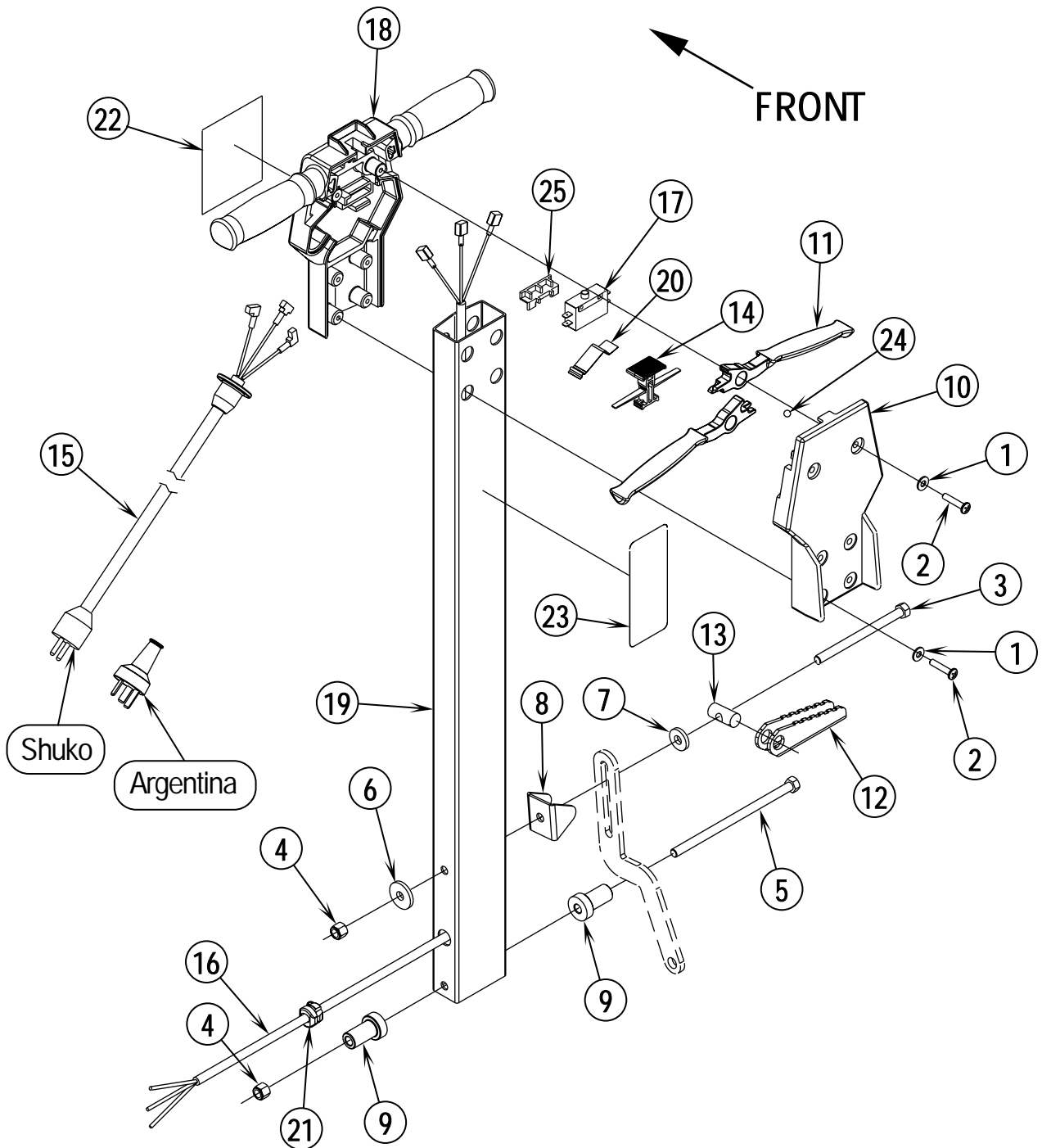
11/99 revised 10/03 FORM NO. 56042405

DESCRIPTION	PAGE
HANDLE SYSTEM	2-3
WIRING DIAGRAM	3
BASE SYSTEM	4-5
HANDLE TANK KIT	6-7

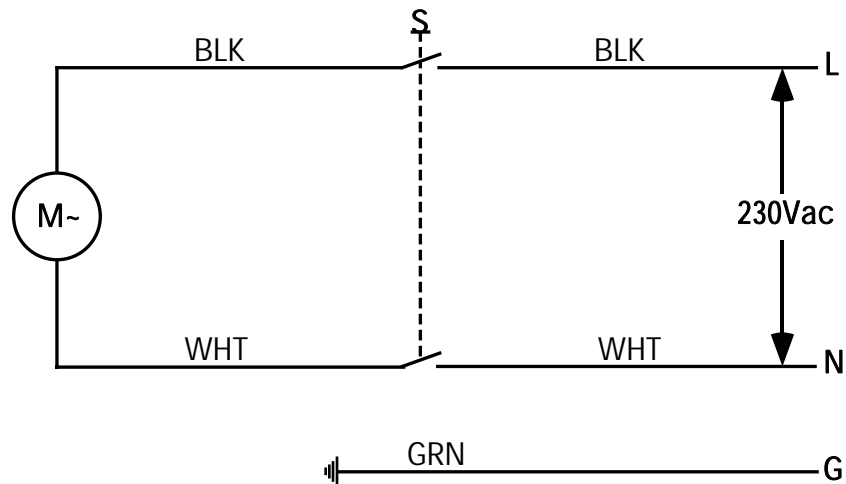
WHEN ORDERING PARTS

- * Use the 8 digit numbers from the "Ref. No." columns in this parts list.
- * Specify the model and serial number of the machine.
- * Use the space below to record the model and serial number for future reference.

Model _____ Serial No. _____



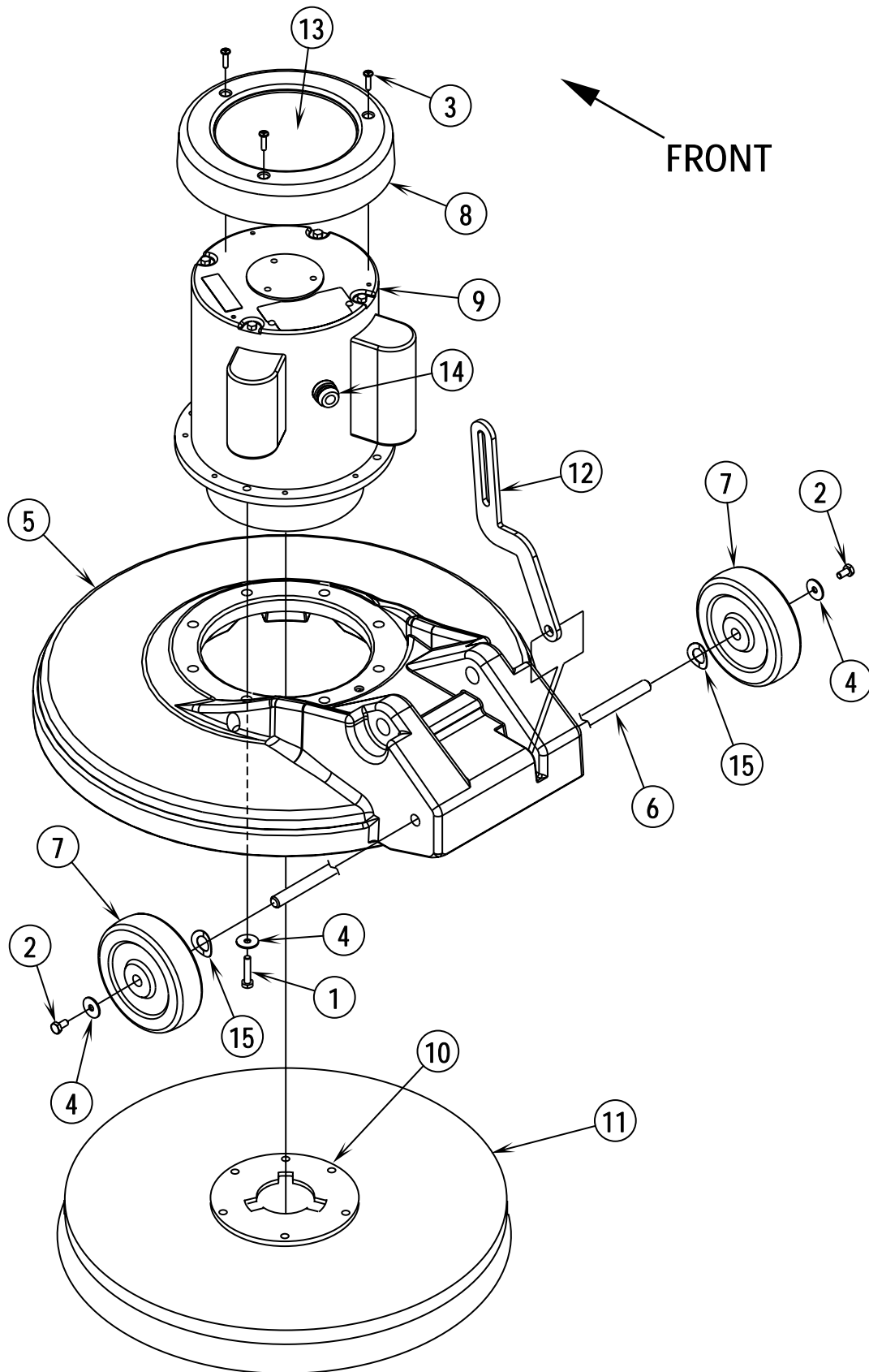
Item	Ref. No.	Qty	Description
1	56002098	6	Wsh, Flt SAE 1/4
2	56002292	6	Scr, Pan Phil 1/4-20 x 1.00
3	56002506	1	Scr, Hex Hd 3/8-16 x 5.00
4	56002769	2	Nut, Hex Nyl Loc 3/8-16
5	56002777	1	Scr, Hex Hd 3/8-16 x 7.00
6	56009195	1	Wsh, Flt .406 x 1.25 x .164
7	56009196	1	Wsh, Flt Harden .407 x 1.00 x .164
8	56201015	1	Bracket
9	56201016	2	Bushing
10	56201058	1	Handle Cover
11	56201027	2	Handle Lever
12	56201028	1	Latch Arm
13	56201029	1	Pin
14	56201031	1	Button, Lock
15	56201354	1	Power Cord (Shuko)
	56201718	1	Power Cord (Argentina)
16	56201716	1	Cord Assembly
17	56201648	1	Switch, N.O. DPDT Snap TSBUS2003-857
18	56201560	1	Handle
19	56201056	1	Handle Tube
20	56263648	1	Spring Plate
21	56382818	1	Strain Relief
22	56016429	1	Decal, Logo
23	56014828	1	Decal, Warning
24	56201592	1	Ball, 1/4"
25	56201647	1	Spacer, Plastic TSBUS2003-857



Item	Ref. No.	Qty	Description
S	56201648	1	Switch, N.O. SPST Snap TSBUS2003-857
M	56201719	1	Motor / Gearbox, 230V / 50hz 1.5HP, 10:1 (NOTE 1)
	56201720	1	Motor / Gearbox, 230V / 60hz 1.25HP, 10:1 (NOTE 2)

NOTE 1: Models 56201702, 56201704, 56201706, 56201707

NOTE 2: Models 56201703, 56201705



99-11	BASE SYSTEM			
00-2	SD 17 / 20			5

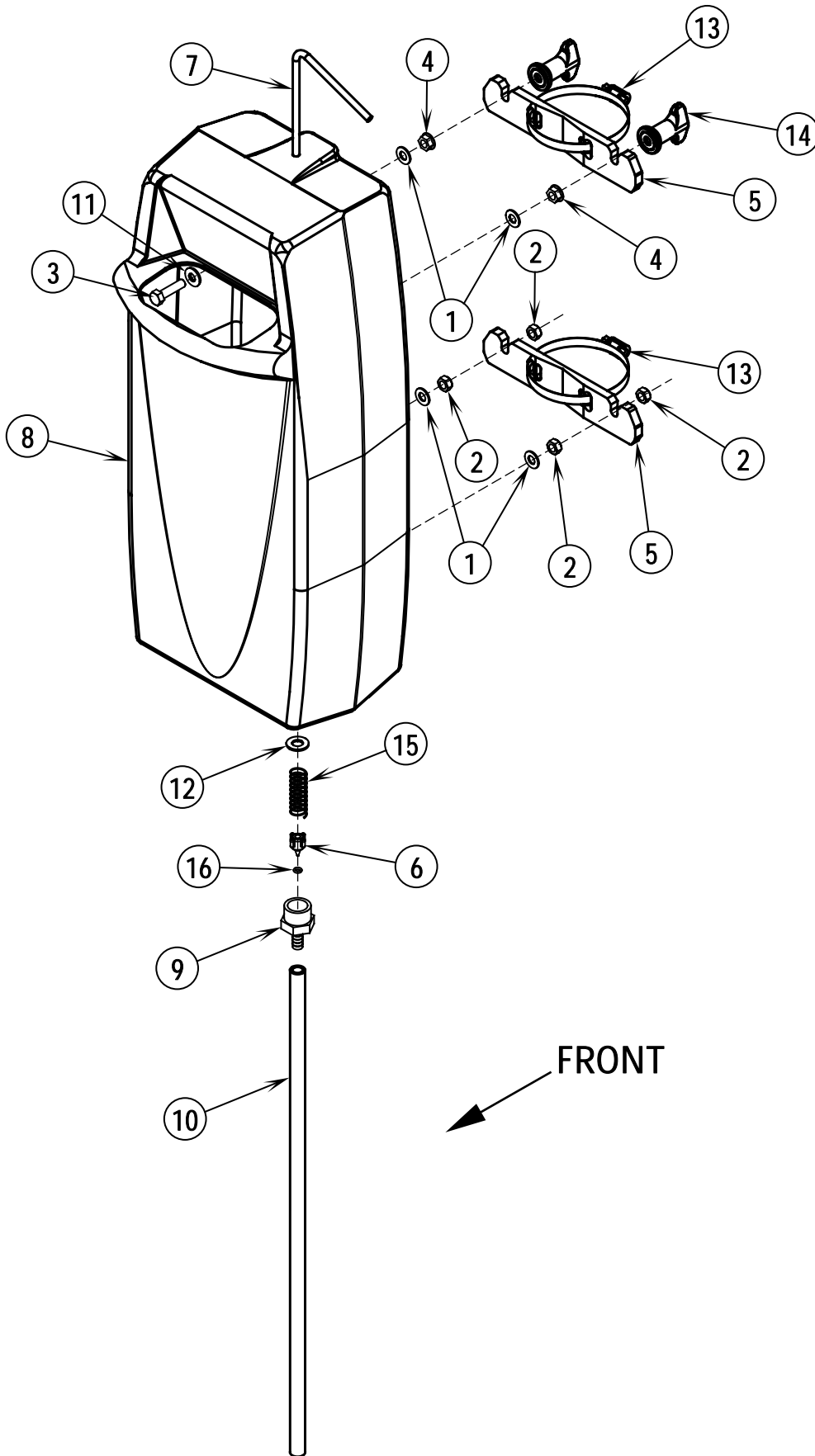
Item	Ref. No.	Qty	Description	Item	Ref. No.	Qty	Description
1	56003318	8	Scr, Hex Hd Loc 1/4-20 x 1.25	**	56505270	1	Level-Set Pad Holder 17
2	56003039	2	Scr, Hex Loc 1/4-20 x .50	**	56505915	1	ProLite™ Brush 17
3	56009209	3	Scr, Pan Phil Thd Form 10-24 x 1.00	**	56505914	1	Prolene Brush 17
4	56009002	10	Washer	**	56505911	1	MagnaGrit™ 46 Brush 17
5	56201012	1	Base Housing 20"	**	56505912	1	DynaGrit™ 80 Brush 17
	56201017	1	Base Housing 17"	**	56505918	1	MidLite Grit™ 180 Brush 17
6	56201089	1	Axle	**	56505917	1	MidGrit™ 240 Brush 17
7	56201018	2	Wheel 5.00 x 1.50	**	56505913	1	AgLite™ 500 Brush 17
8	56201019	1	Cover, Motor	**	56505916	1	Union Mix Brush 17
9	56201719	1	Motor/Gearbox, 230V/50hz 1.5HP, 10:1	**	56505539	1	Soft-Touch™ Shampoo Brush 17
			(NOTE 1)				
*	56201037	1	Bearing, Front	**	56505280	1	Level-Set Pad Holder 20
*	56201038	1	Switch, Stationary	**	56505925	1	ProLite™ Brush 20
*	56201039	1	Switch, Rotor	**	56505924	1	Prolene Brush 20
*	56201954	1	Capacitor, Start	**	56505921	1	MagnaGrit™ 46 Brush 20
*	56201953	1	Capacitor, Run	**	56505922	1	DynaGrit™ 80 Brush 20
*	56201043	1	Gear Head Assembly	**	56505928	1	MidLite Grit™ 180 Brush 20
*	56201044	1	Pinion, 13 Teeth	**	56505927	1	MidGrit™ 240 Brush 20
*	56201045	1	Coupling	**	56505923	1	AgLite™ 500 Brush 20
*	56168167	1	Planetary Gear System	**	56505926	1	Union Mix Brush 20
	56201720	1	Motor/Gearbox, 230V/60hz 1.25HP, 10:1	**	56505540	1	Soft-Touch™ Shampoo Brush 20
			(NOTE 2)				
*	56201037	1	Bearing, Front	**	56506006	A/R	Clutch Plate for Above Brushes
*	56201038	1	Switch, Stationary	**	56393567	A/R	"Big Mouth" Pad Retainer
*	56201039	1	Switch, Rotor				
*	56201042	1	Capacitor, Start				
*	56201043	1	Gear Head Assembly				
*	56201044	1	Pinion, 13 Teeth				
*	56201045	1	Coupling				
10	56506006	1	Clutch Plate, Universal				
11	56505910	1	Short-TrimPad Holder, 17" (standard)				
	56505920	1	Short-Trim Pad Holder, 20" (standard)				
12	56201011	1	Arm, Handle Latch				
13	56016532	1	Decal, SD 17				
	56016525	1	Decal, SD 20				
14	56740200	1	Strain Relief				
15	56009001	2	Wsh, Bowed .516 x .906 x .008				

* = Not Shown
** = Optional

Pad Holders and Brushes come complete with Industry Standard NP-92 Clutch Plate.

NOTE 1: Models 56201702, 56201704, 56201706, 56201707

NOTE 2: Models 56201703, 56201705



Item	Ref. No.	Qty	Description
	56201050	1	Solution Tank Kit
	56040562	1	Instruction Sheet
	56201004	1	Solution Tank Assembly (#1-16)
1	56001939	4	Wsh, Flt SAE 5/16
2	56002826	4	Nut, Hex Nyl Loc-Thin 5/16-18
3	56002884	4	Scr, Hex Hd SS 5/16-18 x 1.25
4	56009217	2	Nut, Hex Flange Loc 5/16
5	56201005	2	Strap
6	56201007	1	Plug
7	56201008	1	Handle, Valve
8	56201020	1	Tank, Solution
9	56201035	1	Barb, Adapter 3/8 x 3/4 NPT
10	56201036	1	Hose, PVC
11	56201047	4	Wsh, Sealing SS 5/16
12	56201061	1	Washer
13	56352829	2	Clamp, Hose SAE #52
14	56370711	2	Nut, Thumb
15	56379170	1	Spring, Compression
16	56745550	1	O-Ring



**Nilfisk
Advance**

setting standards

Nilfisk-Advance, Inc.

14600 21st Avenue North

Plymouth, MN 55447-3408

www.nilfisk-advance.com

Phone: 800-989-2235

Fax: 800-989-6566

©2003 Printed in the U.S.A.