



# Electronic Service Manuals

This electronic document is provided as a service to our customers. We do not create the contents of the information contained in this document. Should you have detailed questions pertaining to the information contained in this document, you may contact Michco, or the manufacturer which provided the original information in this electronic deliverable. Michco's only part in this electronic deliverable was the electronic assembly process.

You may contact Michco through the following methods:  
Phone (517) 484-9312 or (800) 331-3339 MI, OH, IN only  
2011 N. High St. -- Lansing, Michigan -- 48906  
Fax: (517) 484-9836  
Email: [CustServ@Michco.com](mailto:CustServ@Michco.com)  
Web site: [www.Michco.Com](http://www.Michco.Com)  
Parts Web site: [www.FloorMachineParts.Com](http://www.FloorMachineParts.Com)

Order Parts on Line at:  
**[www.FloorMachineParts.Com](http://www.FloorMachineParts.Com)**

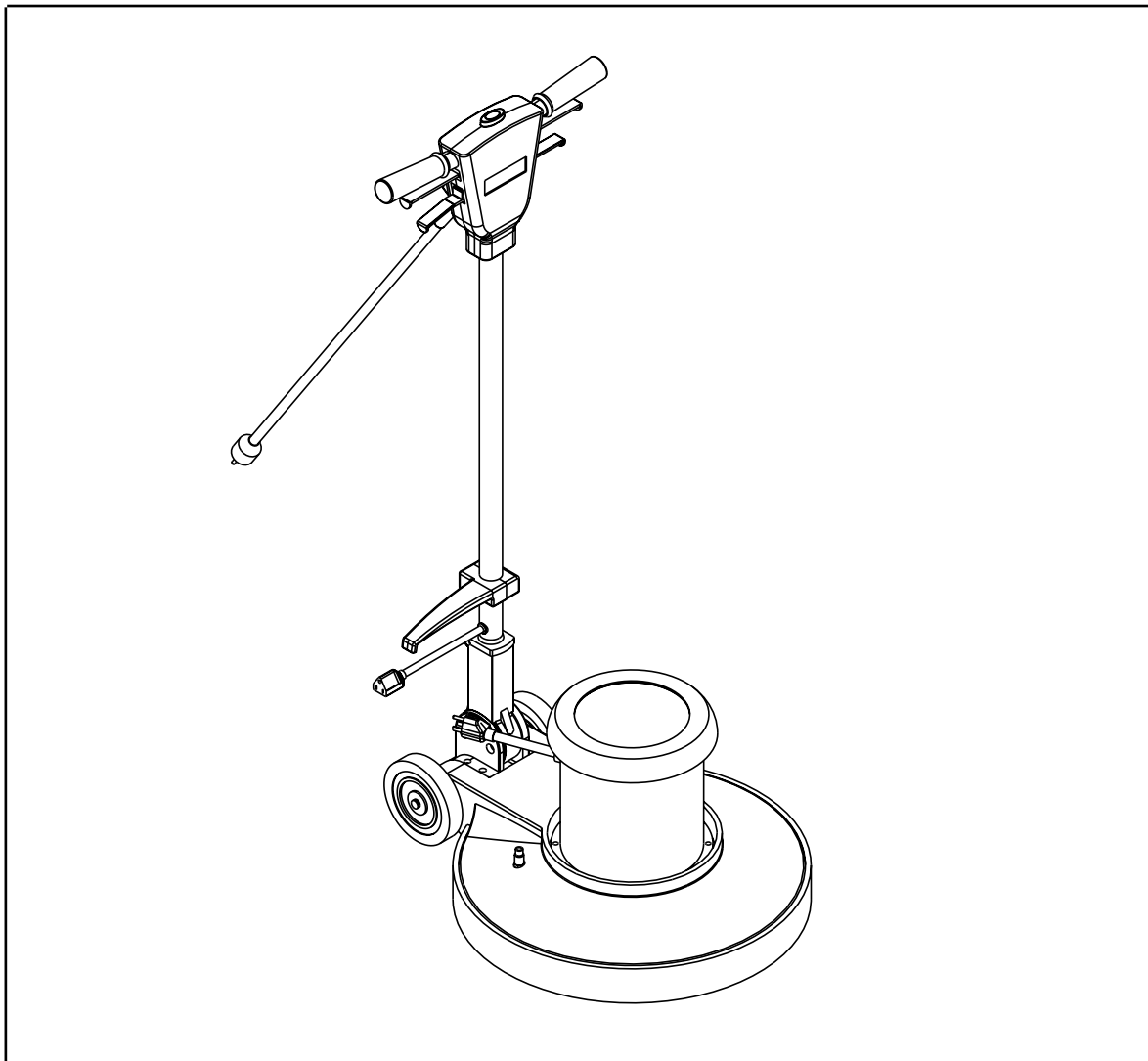
Directly to Parts & Service:  
By Email: **[Shop@Michco.com](mailto:Shop@Michco.com)**  
By Fax: (517) 702-2041  
By Voice: Use numbers above.

**Serving the Cleaning Industry Since 1922**

Notice: All copyrighted material remains property of original owners, all trademarks are property of respective owners. Manuals are subject to Manufacturer's reproduction limitations. Originals or reproductions were provided by manufacturers through a request. We make no warranty as to the correctness of information provided in this document and you assume all risk.

# Pacesetter™ 170, 200

# Pacesetter™ 170HD, 200HD



## PARTS LIST

Advance MODELS 5610700(170), 56107002(200)  
56107001(170HD), 56107003(200HD)

This manual is only for machines after serial number 1737262.



# Advance

by Nilfisk-Advance

3/04 revised 6/04 FORM NO. 56042450

## REPLACEMENT PART KITS

Ref. No.	Qty	Description
56107120	A/R	Bolt Hardware Kit (All Models) (Page 3-#4,9,10,11,13,16,22,23,28,32,41) (Page 5-#6,8,14,19,25,26,34,37,38,46,48) (Page 7-#4,6,7,9,10,11,14-19,24,25) (Page 9-#1,3-7,9,10,12-17,25,26)
56107122	A/R	Wheel Kit (170 & 200 / Page 7-#9-12,23-25)
56107123	A/R	Cord Hook Kit (170HD & 200HD / Page 5-#14,15,16)
56107125	A/R	Handle Pivot Kit (170HD & 200HD / Page 5-#1-7,47,48 / Page 9-#2)
56107126	A/R	Hardware Kit (Solution Tank / All Models / Page 13-#5,9,12,14,15,17)
56107127	A/R	Seal Kit (Solution Tank / All Models / Page 13-#10,11,13,20)
56107129	A/R	Wheel Kit (170HD & 200HD / Page 9-#8,9,10,24,25,26)
56107130	A/R	Pivot Kit (170 & 200 / Page 7-#4,5)
56107136	A/R	Ratchet Replacement Kit (170HD & 200HD / Page 5-#5,7)
56107137	A/R	Compression Handle Release Kit (170 & 200 / Page 3-#1-6,9,10,11,12 / Page 7-#3,8)
56107138	A/R	Trigger Kit (All Models / Page 3-#15,17,18,30 / Page 5-#18,20,21,32,39)
56107140	A/R	Axle Kit (170 & 200 / Page 7-#9-12,24,25)
56107141	A/R	Axle Kit (170HD & 200HD / Page 9-#8,9,10,25,26)
56107144	A/R	Front / Rear Cover Kit (All Models / Page 3-#25,37,38,39 / Page 5-#28,41,43,44)
56107145	A/R	Handle Hardware Kit (All Models) (Page 3-#16,21-24,27-29,32-36,40,41 / Page 5-#8,19,24-27,30,31,34-38,40,42,45,46)

## OPTIONAL ACCESSORIES

Ref. No.	Qty	Description
56172305	A/R	Splash Guard Assembly (170 & 170HD)
56172313	A/R	Splash Guard Assembly (200 & 200HD)
56600358	A/R	Spray-Buff Solution Kit (All Models)
56201075	A/R	17" Weight Kit
56201062	A/R	20" Weight Kit
56505191	A/R	1-1/4 Riser Kit (All Models)
56505192	A/R	1-1/2 Riser Kit (All Models)
56505910	1	Short-Trim Pad Holder 17
56505270	1	Level-Set Pad Holder 17
56505915	1	ProLite™ Brush 17
56505914	1	Prolene Brush 17
56505911	1	MagnaGrit™ 46 Brush 17
56505912	1	DynaGrit™ 80 Brush 17
56505918	1	MidLite Grit™ 180 Brush 17
56505917	1	MidGrit™ 240 Brush 17
56505913	1	AgLite™ 500 Brush 17
56505916	1	Union Mix Brush 17
56505539	1	Soft-Touch™ Shampoo Brush 17
56505920	1	Short-Trim Pad Holder 20
56505280	1	Level-Set Pad Holder 20
56505925	1	ProLite™ Brush 20
56505924	1	Prolene Brush 20
56505921	1	MagnaGrit™ 46 Brush 20
56505922	1	DynaGrit™ 80 Brush 20
56505928	1	MidLite Grit™ 180 Brush 20
56505927	1	MidGrit™ 240 Brush 20
56505923	1	AgLite™ 500 Brush 20
56505926	1	Union Mix Brush 20
56505540	1	Soft-Touch™ Shampoo Brush 20
56506006	A/R	NP-92 Clutch Plate-Nylon
56506007	A/R	NP-92 Clutch Plate-Zinc
56505195	A/R	Pad Retainer
56505019	A/R	Pad Centering Unit (includes 56393567)
56161750	A/R	Brown Stripping Pad, 17" (case of 5)
56161716	A/R	Blue Scrubbing Pad, 17" (case of 5)
56161738	A/R	Blue Scrubbing Pad, 20" (case of 5)
56161737	A/R	Red Buffer Pad, 20" (case of 5)
56393567	A/R	"Big Mouth" Pad Retainer

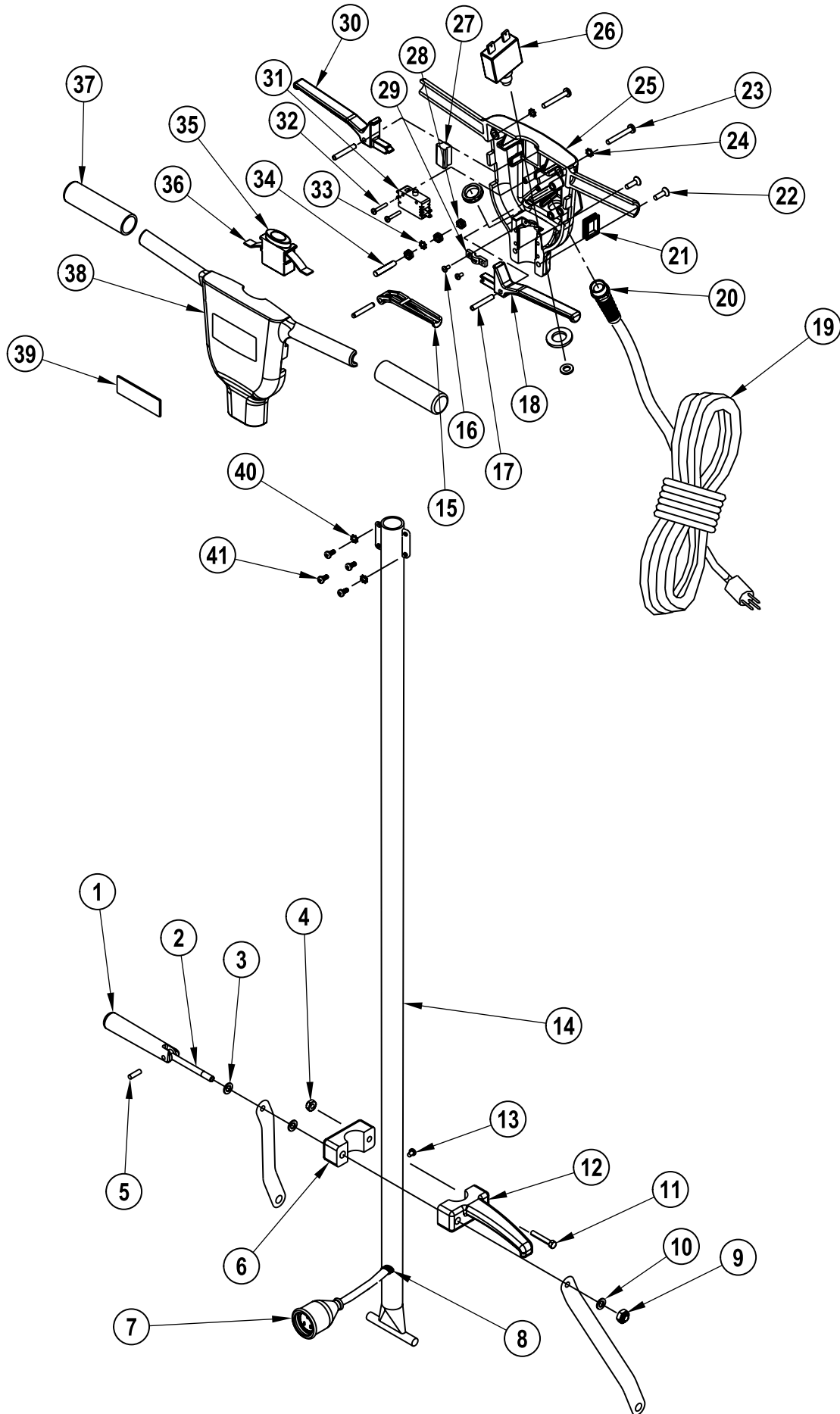
NOTE: Pad Holders and Brushes come complete with Industry Standard NP-92 Clutch Plate.

DESCRIPTION	PAGE
Handle Assembly (170 / 200) .....	2-3
Handle Assembly (170HD / 200HD) .....	4-5
Base Assembly (170 / 200) .....	6-7
Base Assembly (170HD / 200HD) .....	8-9
Wiring Diagram .....	10-11
Solution Tank Kit .....	12-13

#### WHEN ORDERING PARTS

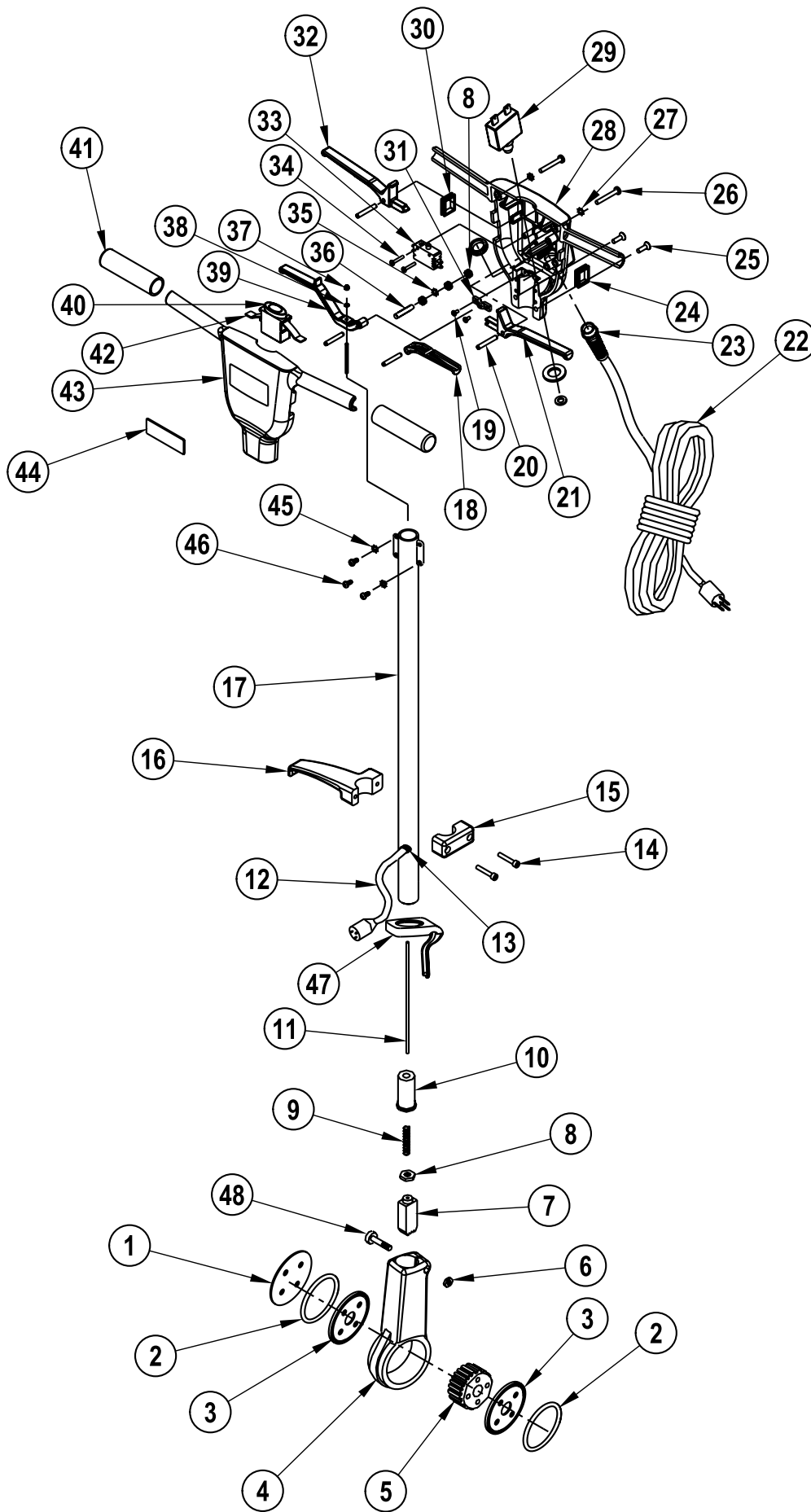
- \* Use the 8 digit numbers from the "Ref. No." columns in this parts list.
- \* Specify the model and serial number of the machine.
- \* Use the space below to record the model and serial number for future reference.

Model \_\_\_\_\_ Serial No. \_\_\_\_\_



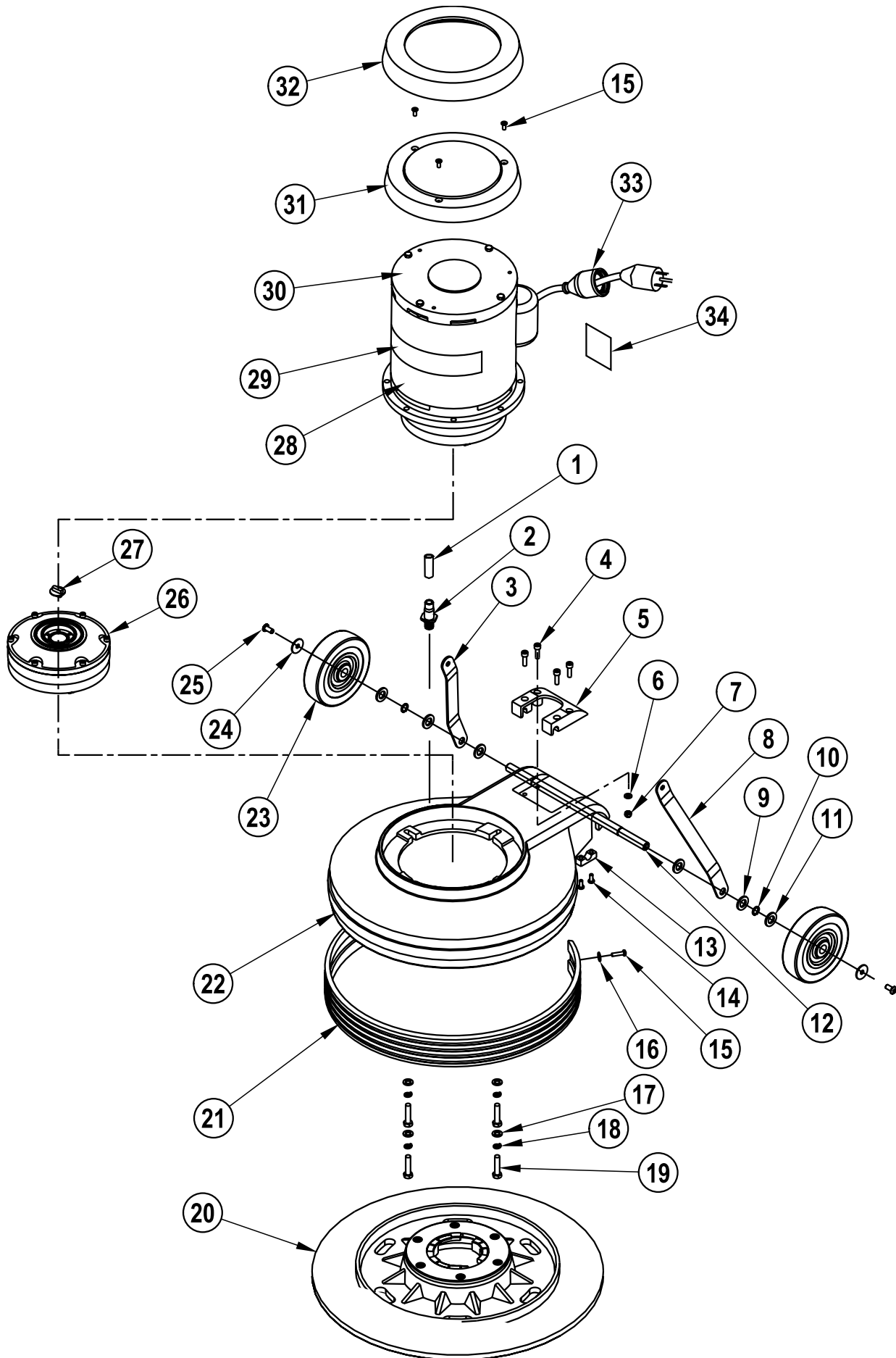
04-3	<b>HANDLE ASSEMBLY (170 / 200)</b>		
04-6	<b>Pacesetter™ 170, 200 / 170HD, 200HD</b>		<b>3</b>

Item	Ref. No.	Qty	Description
1	56107137	1	Compression Handle Release Kit ..... Handle Release
2	56107137	1	Compression Handle Release Kit ..... Bolt Handle Release
3	56107137	2	Compression Handle Release Kit ..... Washer, Plain
4	56107137	2	Compression Handle Release Kit ..... Nut, M8 X 5.7
	56107120	2	Bolt Hardware Kit ..... Nut, M8 X 5.7
5	56107137	1	Compression Handle Release Kit ..... Pin
6	56107137	1	Compression Handle Release Kit ..... Cover, Hook
7	56107016	1	Cord, Handle
	56107131	1	Plug Protector, Small Male
8	56107017	1	Grommet
9	56107137	1	Compression Handle Release Kit ..... Nut, M10
	56107120	1	Bolt Hardware Kit ..... Nut, M10
10	56107137	1	Compression Handle Release Kit ..... Washer, Plain, M10
	56107120	1	Bolt Hardware Kit ..... Washer, Plain, M10
11	56107137	1	Compression Handle Release Kit ..... Screw M8 X 55
	56107120	1	Bolt Hardware Kit ..... Screw M8 X 55
12	56107137	1	Compression Handle Release Kit ..... Hook, Cable
13	56107120	1	Bolt Hardware Kit ..... Screw, M6 X 10
14	56107024	1	Tube
15	56107138	1	Trigger Kit ..... Level, Solution
16	56107120	2	Bolt Hardware Kit ..... Screw, M4 X 12
	56107145	2	Handle Hardware Kit ..... Screw, M4 X 12
17	56107138	3	Trigger Kit ..... Pin
18	56107138	1	Trigger Kit ..... Lever, Left, Switch
19	56107029	1	Cord, Power Supply
20	56107030	1	Strain Relief, Cord
21	56107145	1	Handle Hardware Kit ..... Gasket, Lever, Left
22	56107120	2	Bolt Hardware Kit ..... Screw M6 X 25
	56107145	2	Handle Hardware Kit ..... Screw M6 X 25
23	56107120	2	Bolt Hardware Kit ..... Screw M6 X 40
	56107145	2	Handle Hardware Kit ..... Screw M6 X 40
24	56107145	2	Handle Hardware Kit ..... Teeth Washer Ø6
25	56107144	1	Front / Rear Cover Kit ..... Rear Cover
26	56107143	1	Circuit Breaker 17A/1hp
27	56107145	1	Handle Hardware Kit ..... Cover, Leveling
28	56107120	3	Bolt Hardware Kit ..... Nut, M4
	56107145	3	Handle Hardware Kit ..... Nut, M4
29	56107145	1	Handle Hardware Kit ..... Clamp Block
30	56107138	1	Trigger Kit ..... Lever, Right, Switch
31	56107035	1	Switch Assy
32	56107120	2	Bolt Hardware Kit ..... Screw M3 X 25
	56107145	2	Handle Hardware Kit ..... Screw M3 X 25
33	56107145	1	Handle Hardware Kit ..... Teeth Washer Ø4
34	56107145	1	Handle Hardware Kit ..... Screw M4 X 30
35	56107145	1	Handle Hardware Kit ..... Safety Button
36	56107145	1	Handle Hardware Kit ..... Spring, Safety Block
37	56107144	2	Front / Rear Cover Kit ..... Handle Grip
38	56107144	1	Front / Rear Cover Kit ..... Front Cover
39	56015105	1	Decal, Advance
	56107144	1	Front / Rear Cover Kit ..... Decal, Advance
40	56107145	4	Handle Hardware Kit ..... Teeth Washer Ø5
41	56107120	4	Bolt Hardware Kit ..... Screw M5 X 12
	56107145	4	Handle Hardware Kit ..... Screw M5 X 12

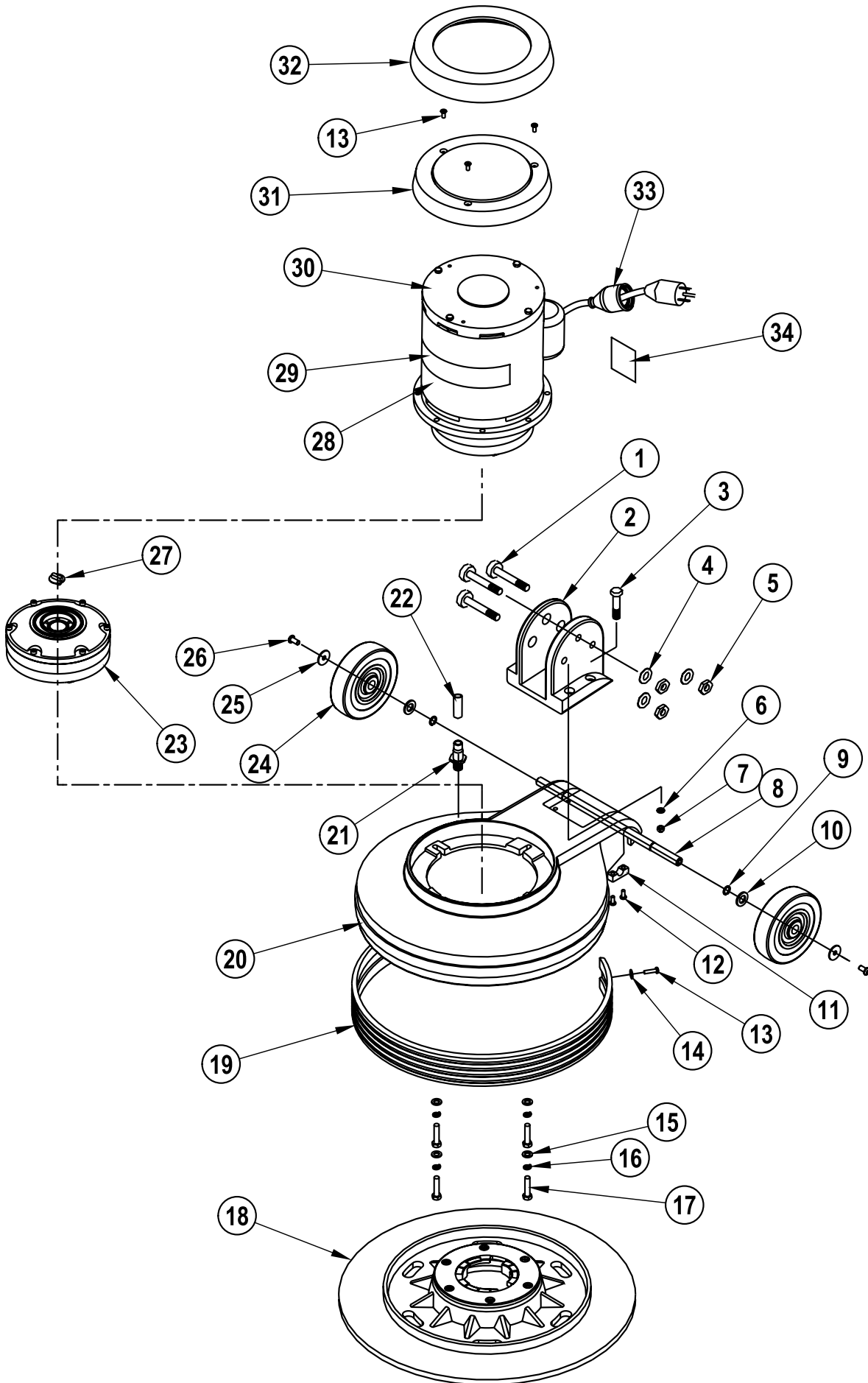


04-3	<b>HANDLE ASSEMBLY (170HD / 200HD)</b>		
04-6	<b>Pacesetter™ 170, 200 / 170HD, 200HD</b>		<b>5</b>

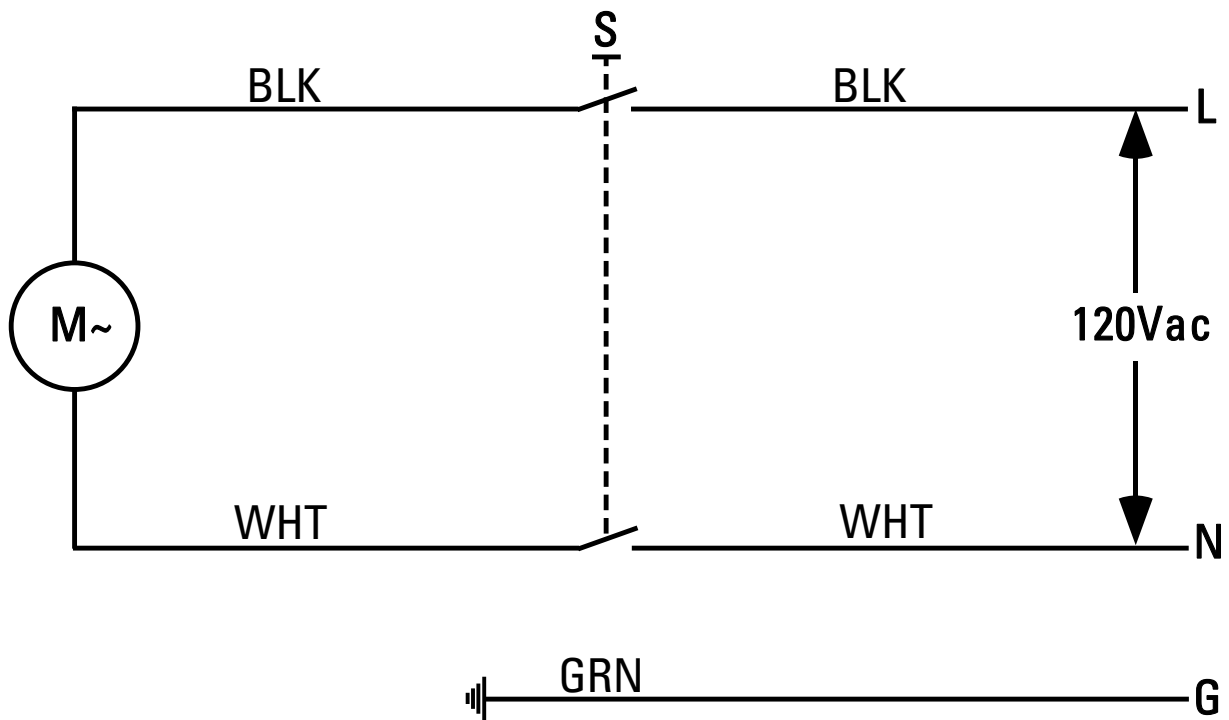
Item	Ref. No.	Qty	Description
1	56107125	1	Handle Pivot Kit ..... Cover
2	56107125	2	Handle Pivot Kit ..... "O"Ring,Gear Seat
3	56107125	2	Handle Pivot Kit ..... Washer,Nylon
4	56107125	1	Handle Pivot Kit ..... Seat,Gear
5	56107125	1	Handle Pivot Kit ..... Gear
	56107136	1	Ratchet Replacement Kit ..... Gear
6	56107125	1	Handle Pivot Kit ..... Nut ,M6
	56107120	1	Bolt Hardware Kit ..... Nut ,M6
7	56107125	1	Handle Pivot Kit ..... Insert
	56107136	1	Ratchet Replacement Kit ..... Insert
8	56107145	4	Handle Hardware Kit ..... Nut, M4
	56107120	4	Bolt Hardware Kit ..... Nut, M4
9	56107013	1	Spring Leveling
10	56107014	1	Retainer
11	56107015	1	Rod Leveling
12	56107016	1	Cord,Handle
	56107131	1	Plug Protector,Small Male
13	56107017	1	Grommet
14	56107123	2	Cord Hook Kit ..... Screw M6 X 35
	56107120	2	Bolt Hardware Kit ..... Screw M6 X 35
15	56107123	1	Cord Hook Kit ..... Cover,Hook
16	56107123	1	Cord Hook Kit ..... Hook,Cable
17	56107021	1	Tube
18	56107138	1	Trigger Kit ..... Lever,Solution
19	56107145	2	Handle Hardware Kit ..... Screw,M4 X 12
	56107120	2	Bolt Hardware Kit ..... Screw,M4 X 12
20	56107138	3	Trigger Kit ..... Pin
21	56107138	1	Trigger Kit ..... Lever,Left,Switch
22	56107029	1	Cord,Power Supply
23	56107030	1	Strain Relief,Cord
24	56107145	1	Handle Hardware Kit ..... Gasket,Handle Solution
25	56107145	2	Handle Hardware Kit ..... Screw M6 X 25
	56107120	2	Bolt Hardware Kit ..... Screw M6 X 25
26	56107145	2	Handle Hardware Kit ..... Screw M6 X 40
	56107120	2	Bolt Hardware Kit ..... Screw M6 X 40
27	56107145	2	Handle Hardware Kit ..... Teeth Washer M6
28	56107144	1	Front / Rear Cover Kit ..... Rear Cover
29	56107142	1	Circuit Breaker 12A/1.75hp
30	56107145	1	Handle Hardware Kit ..... Gasket,Handle Leveling
31	56107145	1	Handle Hardware Kit ..... Clamp Block
32	56107138	1	Trigger Kit ..... Lever,Right,Switch
33	56107035	1	Switch Assy
34	56107145	2	Handle Hardware Kit ..... Screw M3 X 25
	56107120	2	Bolt Hardware Kit ..... Screw M3 X 25
35	56107145	1	Handle Hardware Kit ..... Teeth Washer Ø4
36	56107145	1	Handle Hardware Kit ..... Screw M4 X 30
37	56107145	1	Handle Hardware Kit ..... Nut,M4
	56107120	1	Bolt Hardware Kit ..... Nut,M4
38	56107145	1	Handle Hardware Kit ..... Washer,Plain M4
	56107120	1	Bolt Hardware Kit ..... Washer,Plain M4
39	56107138	1	Trigger Kit ..... Leveling Rod
40	56107145	1	Handle Hardware Kit ..... Safety Button
41	56107144	2	Front / Rear Cover Kit ..... Handle Grip
42	56107145	1	Handle Hardware Kit ..... Spring Safety Block
43	56107144	1	Front / Rear Cover Kit ..... Front Cover
44	56015105	1	Decal, Advance
	56107144	1	Front / Rear Cover Kit ..... Decal, Advance
45	56107145	4	Handle Hardware Kit ..... Teeth Washer Ø5
46	56107145	4	Handle Hardware Kit ..... Screw M5 X 12
	56107120	4	Bolt Hardware Kit ..... Screw M5 X 12
47	56107125	1	Handle Pivot Kit ..... Seal Seat
48	56107125	1	Handle Pivot Kit ..... Screw M6 X 25
	56107120	1	Bolt Hardware Kit ..... Screw M6 X 25



Item	Ref. No.	Qty	Description
1	56107064	1	Hose,Solution
2	56107063	1	Barb ,Hose
3	56107137	1	Compression Handle Release Kit ..... Bracket,Handle,Right
4	56107130	4	Pivot Kit ..... Screw M6 X 30
	56107120	4	Bolt Hardware Kit ..... Screw M6 X 30
5	56107130	1	Pivot Kit ..... Plate,Handle Guide
6	56107120	4	Bolt Hardware Kit ..... Washer,Plain M6
7	56107120	4	Bolt Hardware Kit ..... Nut,M6
8	56107137	1	Compression Handle Release Kit ..... Bracket,Handle,Left
9	56107122	4	Wheel Kit ..... Washer,Plain M13
	56107140	4	Axle Kit ..... Washer,Plain M13
	56107120	4	Bolt Hardware Kit ..... Washer,Plain M13
10	56107122	2	Wheel Kit ..... Ring Retaining
	56107140	2	Axle Kit ..... Ring Retaining
	56107120	2	Bolt Hardware Kit ..... Ring Retaining
11	56107122	2	Wheel Kit ..... Washer,Wave
	56107140	2	Axle Kit ..... Washer,Wave
	56107120	2	Bolt Hardware Kit ..... Washer,Wave
12	56107122	1	Wheel Kit ..... Axle
	56107140	1	Axle Kit ..... Axle
13	56107049	2	Clamp Block,Axle
14	56107120	4	Bolt Hardware Kit ..... Self-Tapping Screw St5 X 20
15	56107120	5	Bolt Hardware Kit ..... Screw M5 X 16
16	56107120	2	Bolt Hardware Kit ..... Washer,Plain
17	56107120	4	Bolt Hardware Kit ..... Washer,Plain M8
18	56107120	4	Bolt Hardware Kit ..... Washer,Lock M8
19	56107120	4	Bolt Hardware Kit ..... Screw M8 X 30
20	56649350	1	Mighty-Lok Short Trim Pad Holder,17"
	56649351	1	Mighty-Lok Short Trim Pad Holder,20"
21	56107059	1	Bumper 17"
	56107060	1	Bumper 20"
22	56107061	1	Frame 17"
	56107062	1	Frame 20"
23	56107122	2	Wheel Kit ..... Wheel 5"
24	56107122	2	Wheel Kit ..... Washer,M6
	56107140	2	Axle Kit ..... Washer,M6
	56107120	2	Bolt Hardware Kit ..... Washer,M6
25	56107122	2	Wheel Kit ..... Screw,M6 X 12.7
	56107140	2	Axle Kit ..... Screw,M6 X 12.7
	56107120	2	Bolt Hardware Kit ..... Screw,M6 X 12.7
26	56107071	1	Gear Box
27	56107072	1	Coupling
28	56107076	1	Label,Motor
29	56015067	1	Decal,Pacesetter 170
	56015091	1	Decal,Pacesetter 200
30	56107073	1	Motor 1.25hp
	56171160	1	Capacitor, Start
	56107134	1	Rotary Switch
	56107135	1	Stationary Switch
31	56107077	1	Top Cover,Motor
32	56107079	1	Bumper,Top Cover
33	56107132	1	Plug Protector Large Female
34	56107075	1	Read Manual Label



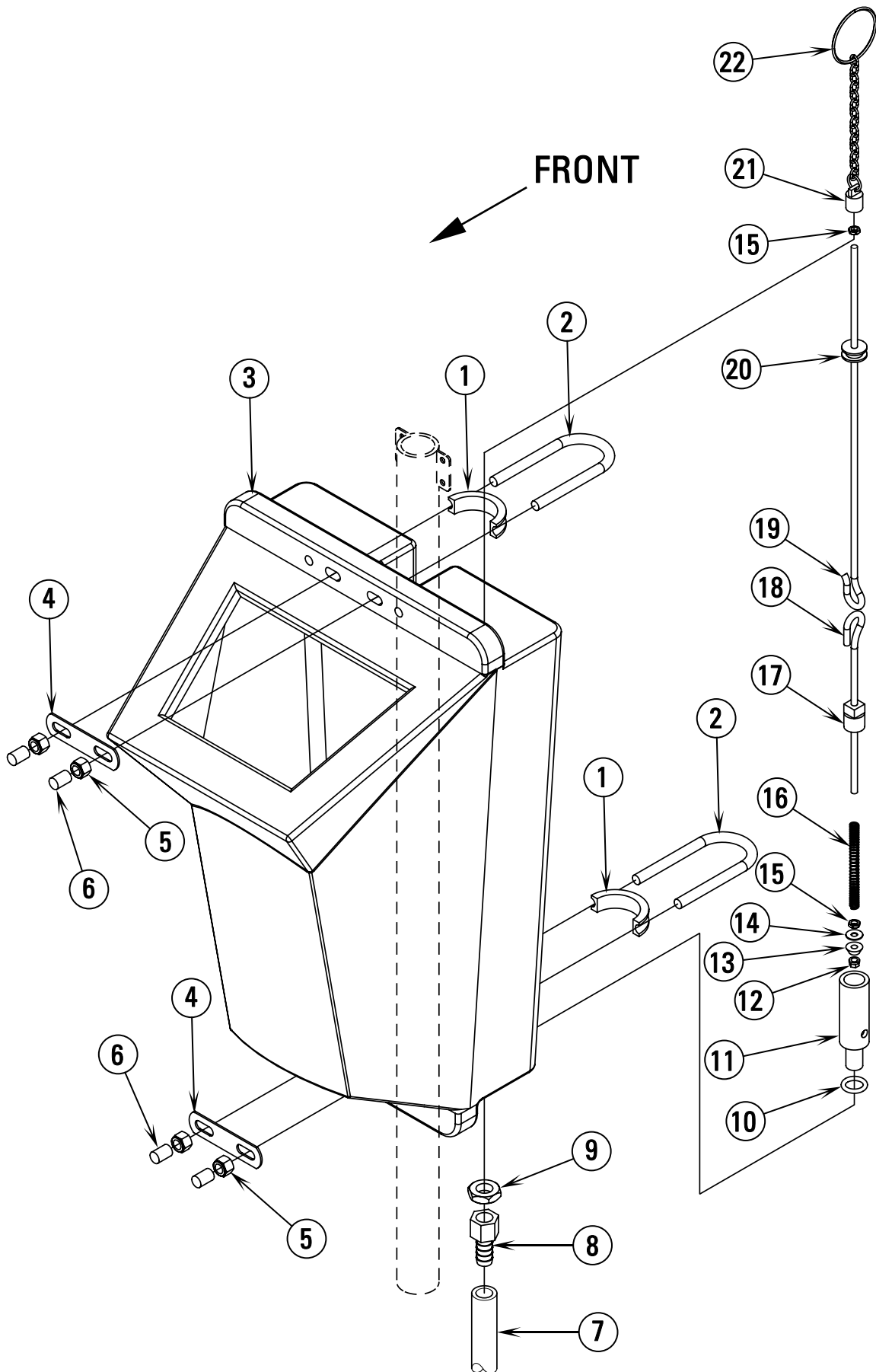
Item	Ref. No.	Qty	Description
1	56107120	3	Bolt Hardware Kit ..... Screw M8 X 60
2	56107125	1	Handle Pivot Kit ..... Mounting Base, Gear Seat
3	56107120	4	Bolt Hardware Kit ..... Screw M6 X 35
4	56107120	3	Bolt Hardware Kit ..... Washer, Plain Ø8
5	56107120	3	Bolt Hardware Kit ..... Nut, M8
6	56107120	4	Bolt Hardware Kit ..... Washer, Flt M6
7	56107120	4	Bolt Hardware Kit ..... Nut, M6
8	56107129	1	Wheel Kit ..... Axle
	56107141	1	Axle Kit ..... Axle
9	56107129	2	Wheel Kit ..... Ring Retaining
	56107141	2	Axle Kit ..... Ring Retaining
	56107120	2	Bolt Hardware Kit ..... Ring Retaining
10	56107129	2	Wheel Kit ..... Washer, Wave
	56107141	2	Axle Kit ..... Washer, Wave
	56107120	2	Bolt Hardware Kit ..... Washer, Wave
11	56107049	2	Clamp Block, Axle
12	56107120	4	Bolt Hardware Kit ..... Self-Tapping Screw ST5 X 20
13	56107120	5	Bolt Hardware Kit ..... Screw M5 X 16
14	56107120	2	Bolt Hardware Kit ..... Washer, Plain, M5
15	56107120	4	Bolt Hardware Kit ..... Washer, Plain M8
16	56107120	4	Bolt Hardware Kit ..... Washer, Lock M8
17	56107120	4	Bolt Hardware Kit ..... Screw M8 X 30
18	56649350	1	Mighty-Lok Short Trim Pad Holder, 17"
	56649351	1	Mighty-Lok Short Trim Pad Holder, 20"
19	56107059	1	Bumper 17"
	56107060	1	Bumper 20"
20	56107061	1	Frame 17"
	56107062	1	Frame 20"
21	56107063	1	Barb Hose
22	56107064	1	Hose, Solution
23	56107071	1	Gear Box
24	56107129	2	Wheel Kit ..... Wheel 5"
25	56107129	2	Wheel Kit ..... Washer, M6
	56107141	2	Axle Kit ..... Washer, M6
	56107120	2	Bolt Hardware Kit ..... Washer, M6
26	56107129	2	Wheel Kit ..... Screw, M6 X 12.7
	56107141	2	Axle Kit ..... Screw, M6 X 12.7
	56107120	2	Bolt Hardware Kit ..... Screw, M6 X 12.7
27	56107072	1	Coupling
28	56107076	1	Label, Motor
29	56015082	1	Decal, Pacesetter 170HD
	56015102	1	Decal, Pacesetter 200HD
30	56107074	1	Motor 1.75hp
	56107139	1	Running Capacitor, 50uf/370v, 105°C
	56171160	1	Start Capacitor
	56107134	1	Rotary Switch
	56107135	1	Stationary Switch
31	56107077	1	Top Cover, Motor
32	56107079	1	Bumper, Top Cover
33	56107132	1	Plug Protector Large Female
34	56107075	1	Read Manual Label



04-3	<b>WIRING DIAGRAM (ALL MODELS)</b>		
04-6	<b>Pacesetter™ 170, 200 / 170HD, 200HD</b>		<b>11</b>

Item	Ref. No.	Qty	Description
			<b>Pacesetter 170/200</b>
S	56107035	1	Switch Assembly
M	56107073	1	Motor, 1.25HP
*	56171160	1	Capacitor, Start

Item	Ref. No.	Qty	Description
			<b>Pacesetter 170HD / 200HD</b>
S	56107035	1	Switch Assembly
M	56107074	1	Motor, 1.75HP
*	56107139	1	Capacitor, Run
*	56171160	1	Capacitor, Start



Item	Ref. No.	Qty	Description
	56107100		Solution Tank Assembly
1	56107098	2	Gasket
2	56107099	2	Bolt
3	56107101	1	Tank
4	56107102	2	Clamp Plate
5	56107126	4	Hardware Kit ..... Nut,M8
6	56107104	4	Rubber Cap
7	56107064	1	Hose,Solution
8	56107105	1	Barb Hose
9	56107126	1	Hardware Kit ..... Nut,M14
10	56107127	1	Seal Kit ..... "O"Ring
11	56107127	1	Seal Kit ..... Valve Body
12	56107126	1	Hardware Kit ..... Nut,M5
13	56107127	1	Seal Kit ..... Seal,Rubber
14	56107126	1	Hardware Kit ..... Washer,Plain Ø5
15	56107126	1	Hardware Kit ..... Screw,M5,Brass
16	56107113	1	Spring
17	56107126	1	Hardware Kit ..... Screw
18	56107115	1	Lower Pulling Rod
19	56107116	1	Upper Pulling Rod Brass
20	56107127	1	Seal Kit ..... Seal,Tank
21	56107118	1	Seat Chain
22	56107119	1	Chain



**Nilfisk  
Advance**

*setting standards*

Nilfisk-Advance, Inc.  
14600 21st Avenue North  
Plymouth, MN 55447-3408  
[www.nilfisk-advance.com](http://www.nilfisk-advance.com)  
Phone: 800-989-2235  
Fax: 800-989-6566  
©2004 Printed in the U.S.A.