



Electronic Service Manuals

This electronic document is provided as a service to our customers. We do not create the contents of the information contained in this document. Should you have detailed questions pertaining to the information contained in this document, you may contact Michco, or the manufacturer which provided the original information in this electronic deliverable. Michco's only part in this electronic deliverable was the electronic assembly process.

You may contact Michco through the following methods:
Phone (517) 484-9312 or (800) 331-3339 MI, OH, IN only
2011 N. High St. -- Lansing, Michigan -- 48906
Fax: (517) 484-9836
Email: CustServ@Michco.com
Web site: www.Michco.Com
Parts Web site: www.FloorMachineParts.Com

Order Parts on Line at:
www.FloorMachineParts.Com

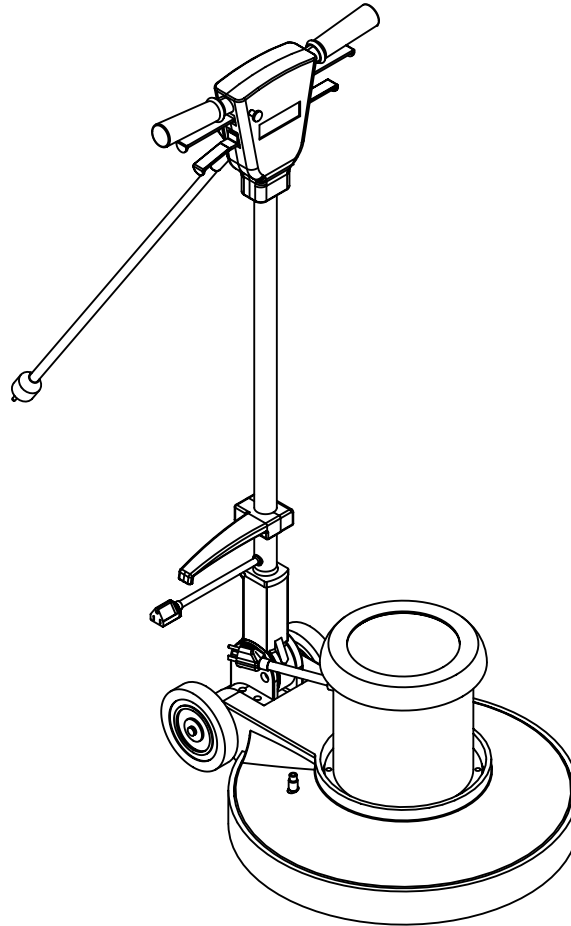
Directly to Parts & Service:
By Email: **Shop@Michco.com**
By Fax: (517) 702-2041
By Voice: Use numbers above.

Serving the Cleaning Industry Since 1922

Notice: All copyrighted material remains property of original owners, all trademarks are property of respective owners. Manuals are subject to Manufacturer's reproduction limitations. Originals or reproductions were provided by manufacturers through a request. We make no warranty as to the correctness of information provided in this document and you assume all risk.

Pacesetter™ 170, 200

Pacesetter™ 170HD, 200HD



PARTS LIST

Advance MODELS 56107000(170), 56107002(200)

56107001(170HD), 56107003(200HD)

This manual is only for machines before serial #1737263.



Advance
by Nilfisk-Advance

4/02 revised 6/04 FORM NO. 56042431

REPLACEMENT PARTS KITS

Ref. No.	Qty	Description
56107121	A/R	Trigger Kit (All Models)
56107122	A/R	Wheel Kit (170 & 200)
56107140	A/R	Axle Kit (170 & 200)
56107123	A/R	Cord Hook Kit (170HD & 200HD)
56107137	A/R	Compression Handle Release Kit (170 & 200)
		Replaces previous kits 56107124-Compression Kit & 56107128-Cord Hook Kit.
56107125	A/R	Handle Pivot Kit (170HD & 200HD)
56107129	A/R	Wheel Kit (170HD & 200HD)
56107141	A/R	Axle Kit (170HD & 200HD)
56107130	A/R	Pivot Kit (170 & 200)
56107120	A/R	Hardware Kit (All Models)
		Contents of Kit
NA	1	Screw,M6x10mm
NA	4	Screw,M5x12mm,Ss,Ph
NA	2	Screw,M6x25mm Ss
NA	2	Screw,M6x40mm
NA	2	Screw,M3x25mm
NA	2	Screw,M4x12mm
NA	5	Nut,M6, Nylon Insert
NA	4	Nut,M4
NA	6	Screw,M6x35mm
NA	1	Nut,M4, Nylon Insert
NA	1	Washer,Flat M4.2x16x1.5
NA	1	Screw,M6x25mm
NA	4	Screw,M6x30mm
NA	4	Screw,St5x20mm
NA	5	Screw,M5x16mm, Ss,Ph
NA	2	Washer,Flat M5x16x1
NA	4	Washer,Flat M8x20x2
NA	4	Washer,Lock M8
NA	4	Screw,M8x30mm
NA	4	Washer,Flat M13.5x32x1.5
NA	2	Washer,Wave
NA	2	Ring,Retaining
NA	3	Nut,M8, Nylon Insert
NA	4	Washer,Flat M6x16x1.5
NA	3	Screw,M8x60mm, Hex Socket
NA	2	Washer 6.2x22x1.5
NA	2	Screw M6x12.7 Hex Socket
NA	1	Nut, Nylon Insert M10
NA	1	Washer, 10x20x2.5
NA	1	Hex Screw, M8x55
NA	1	Hex Socket Screw M5x38
NA	2	Hex Socket Screw M5x25
NA	2	Hex Socket Screw M5x20

DESCRIPTION	PAGE
Handle Assembly (170 / 200)	2-3
Handle Assembly (170HD / 200HD).....	4-5
Base Assembly (170 / 200)	6-7
Wiring Diagram (170 / 200)	7
Base Assembly (170HD / 200HD)	8-9
Wiring Diagram (170HD / 200HD)	9
Solution Tank Kit	10-11

WHEN ORDERING PARTS

- * Use the 8 digit numbers from the "Ref. No." columns in this parts list.
- * Specify the model and serial number of the machine.
- * Use the space below to record the model and serial number for future reference.

Model _____ Serial No. _____

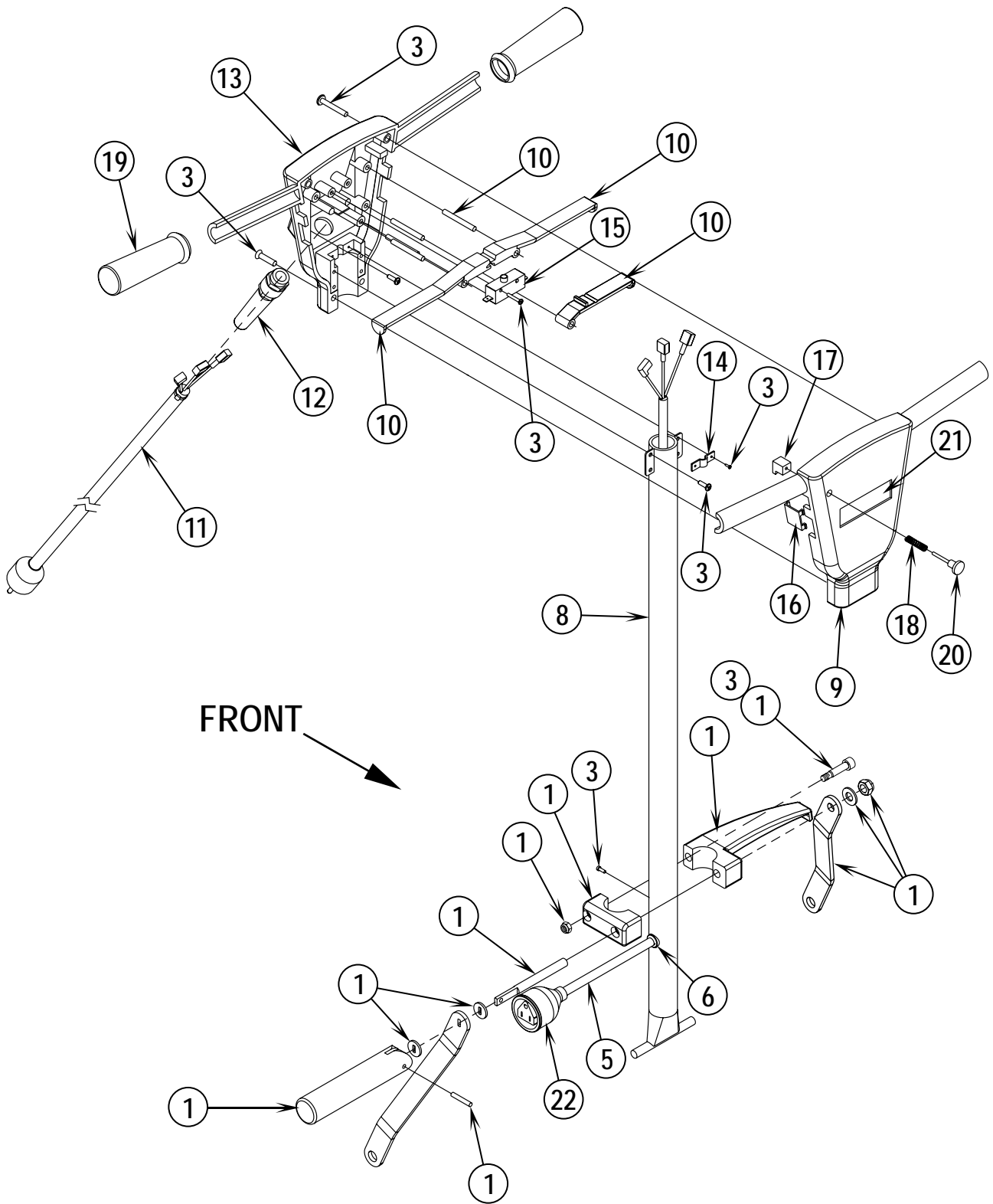
HANDLE ASSEMBLY (170 / 200)

02-4

2

Pacesetter™ 170, 200 / 170HD, 200HD

04-5



02-4	HANDLE ASSEMBLY (170 / 200)		
04-6	Pacesetter™ 170, 200 / 170HD, 200HD		3

Item	Ref. No.	Qty	Description
1	56107137	1	Compression Handle Release Kit (kit includes) NOTE #1
	NA	1	Rod, Compression
	NA	1	Pin
	NA	1	Hook, Cable
	NA	1	Bracket, Handle, Left
	NA	1	Bracket, Handle, Right
	NA	1	Compression Lever
	NA	2	Washer, Flat
	NA	1	Nut, Nylon Insert M10
	NA	1	Washer, 2.5 x 10 x 20
	NA	1	Bolt, M8 x 55
	NA	1	Nut, Nylon Insert M8
	NA	2	Ring, Retaining NOTE #2
	NA	1	Cover, Hook
3	56107120	1	Hardware Kit (refer to inside front cover for kit contents)
5	56107016	1	Cord, Handle
6	56107017	1	Grommet
8	56107024	1	Tube
9	56107025	1	Front Cover
10	56107121	1	Trigger Kit (kit includes)
	NA	1	Lever, Solution
	NA	3	Pin
	NA	1	Lever, Switch Left
	NA	1	Lever, Switch Right
11	56107029	1	Cord, Power Supply
12	56107030	1	Strain Relief, Cord
13	56107031	1	Rear Cover
14	56107088	1	Flange
15	56107035	1	Switch Assembly
16	56107090	1	Plug
17	56107041	1	Block
18	56107042	1	Spring, Button
19	56107043	2	Grip, Handle
20	56107044	1	Push Button
21	56015105	1	Decal, Advance
22	56107131	1	Plug Protector, Large Female

NOTE #1: Compression Handle Release Kit 56107137 replaces two previous kits (56107124-Compression Kit & 56107128-Cord Hook Kit)

NOTE #2: Retaining Rings only used before serial #1717668. This item is shown on the Base Assembly (170 / 200) page.

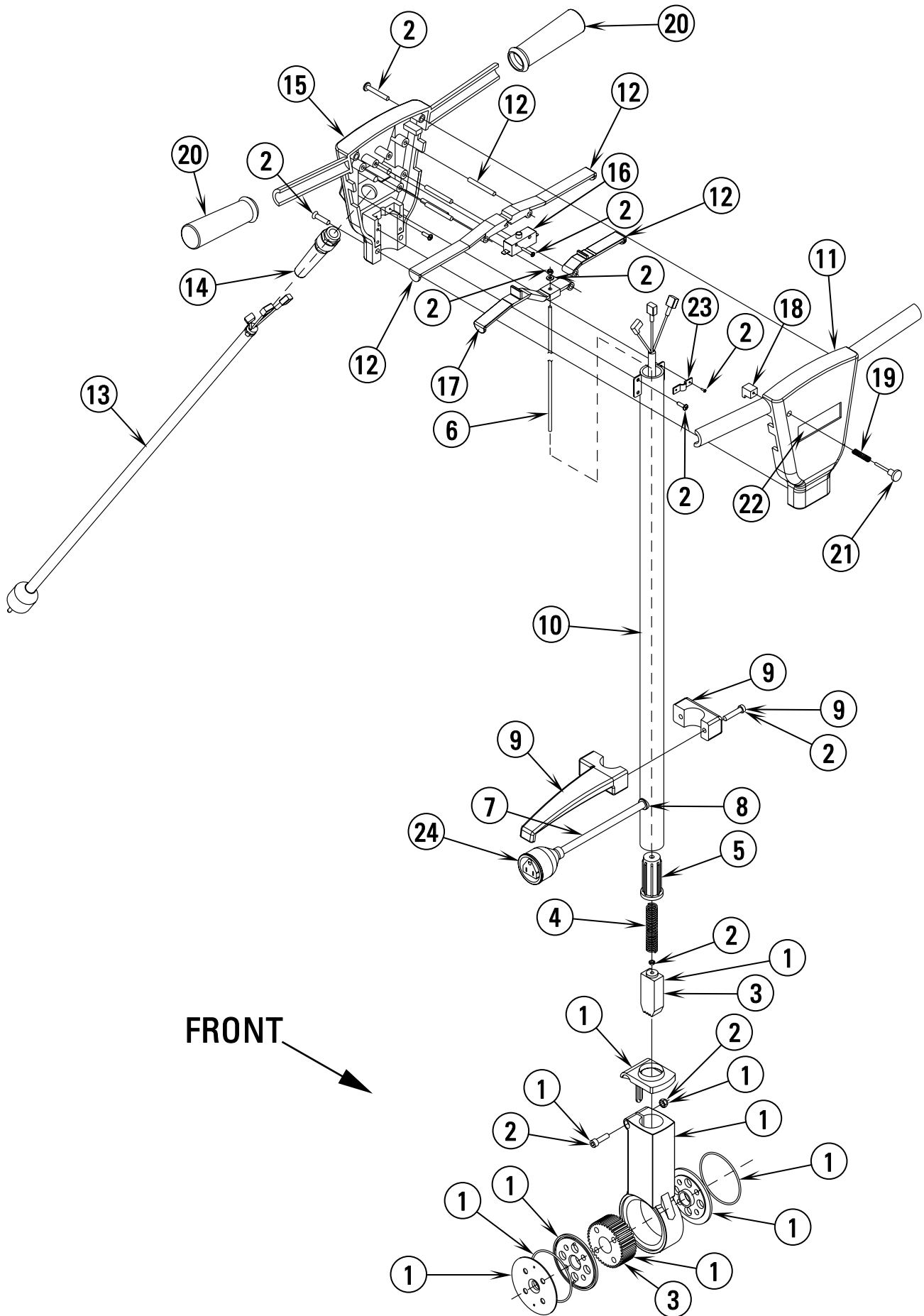
HANDLE ASSEMBLY (170HD / 200HD)

02-4

4

Pacesetter™ 170, 200 / 170HD, 200HD

03-5



02-4	HANDLE ASSEMBLY (170HD / 200HD)		
04-6	Pacesetter™ 170, 200 / 170HD, 200HD		5

Item	Ref. No.	Qty	Description
1	56107125	1	Handle Pivot Kit (kit includes)
	NA	1	Cover
	NA	2	O-Ring, Gear Seat
	NA	2	Washer, Nylon
	NA	1	Seat, Gear
	NA	1	Gear
	NA	1	Nut, M6
	NA	1	Seal, Gear Seat
	NA	1	Screw, M6 x 25mm
	NA	1	Mounting Base, Gear Seat (shown on Base Assembly (170HD / 200HD) page)
	NA	1	Leveling Insert
2	56107120	1	Hardware Kit (refer to inside front cover for kit contents)
3	56107136	1	Ratchet Replacement Kit w/ Instruction Sheet (kit includes) TSBUS2003-846
	NA	1	Gear
	NA	1	Leveling Insert
4	56107013	1	Spring, Leveling
5	56107014	1	Retainer
6	56107015	1	Rod, Leveling
7	56107016	1	Cord, Handle
8	56107017	1	Grommet
9	56107123	1	Cord Hook Kit (kit includes)
	NA	2	Scr, M6 x 35mm
	NA	1	Cover, Hook
	NA	1	Hook, Cable
10	56107021	1	Tube
11	56107025	1	Front Cover
12	56107121	1	Trigger Kit (kit includes)
	NA	1	Lever, Solution
	NA	4	Pin
	NA	1	Lever, Switch Left
	NA	1	Lever, Switch Right
13	56107029	1	Cord, Power Supply
14	56107030	1	Strain Relief, Cord
15	56107031	1	Rear Cover
16	56107035	1	Switch Assembly
17	56107040	1	Leveling Rod
18	56107041	1	Block
19	56107042	1	Spring, Button
20	56107043	2	Grip, Handle
21	56107044	1	Push Button
22	56015105	1	Decal, Advance
23	56107088	1	Flange
24	56107131	1	Plug Protector, Large Female

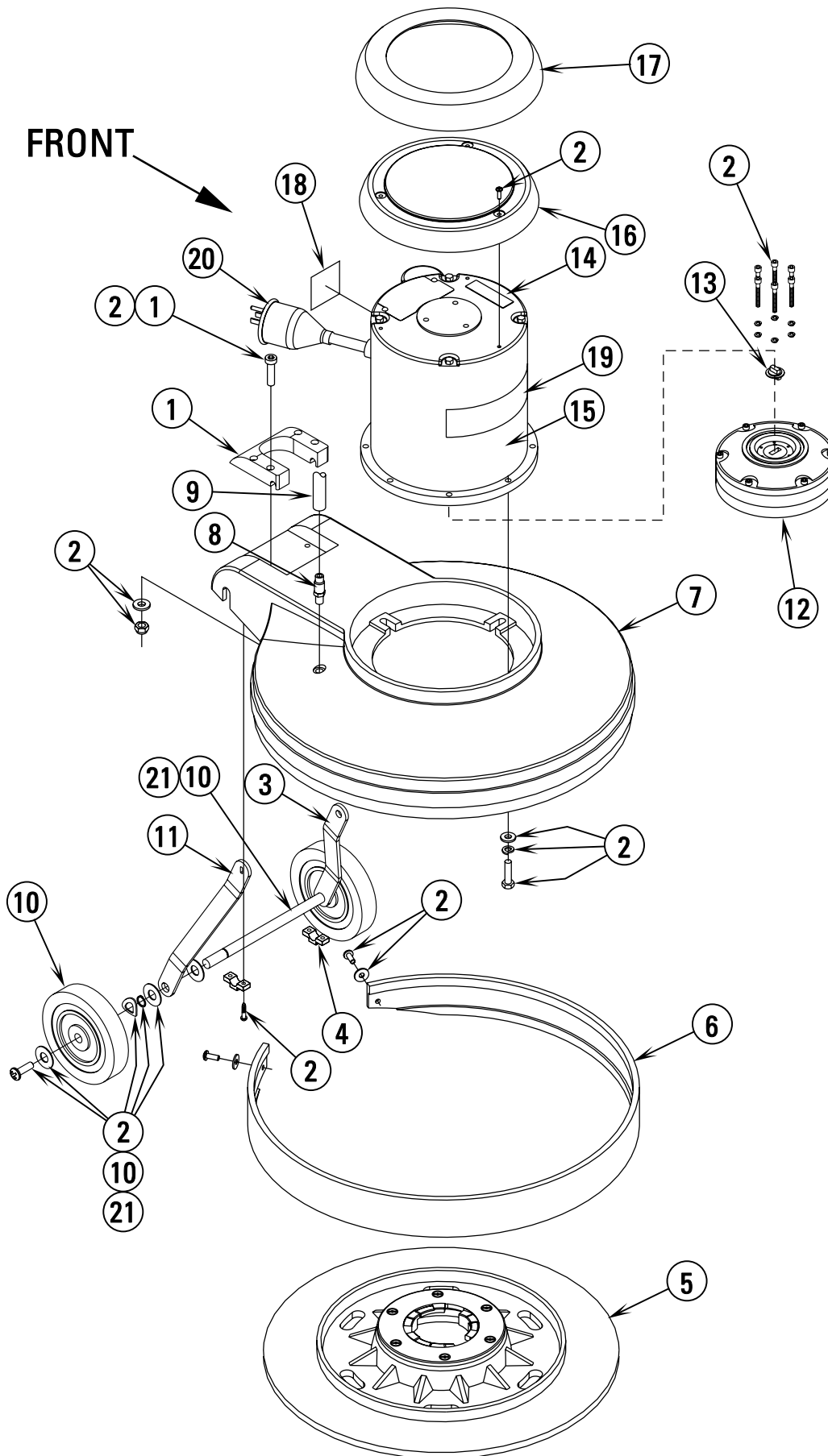
BASE ASSEMBLY (170 / 200)

02-4

6

Pacesetter™ 170, 200 / 170HD, 200HD

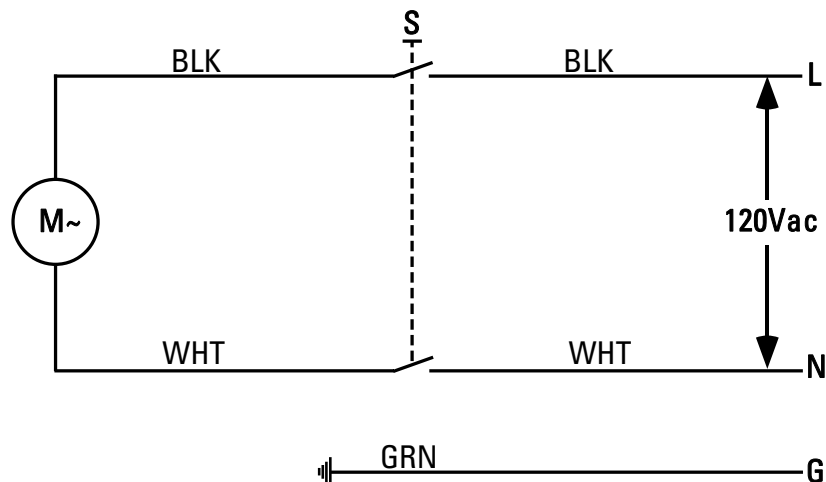
04-5



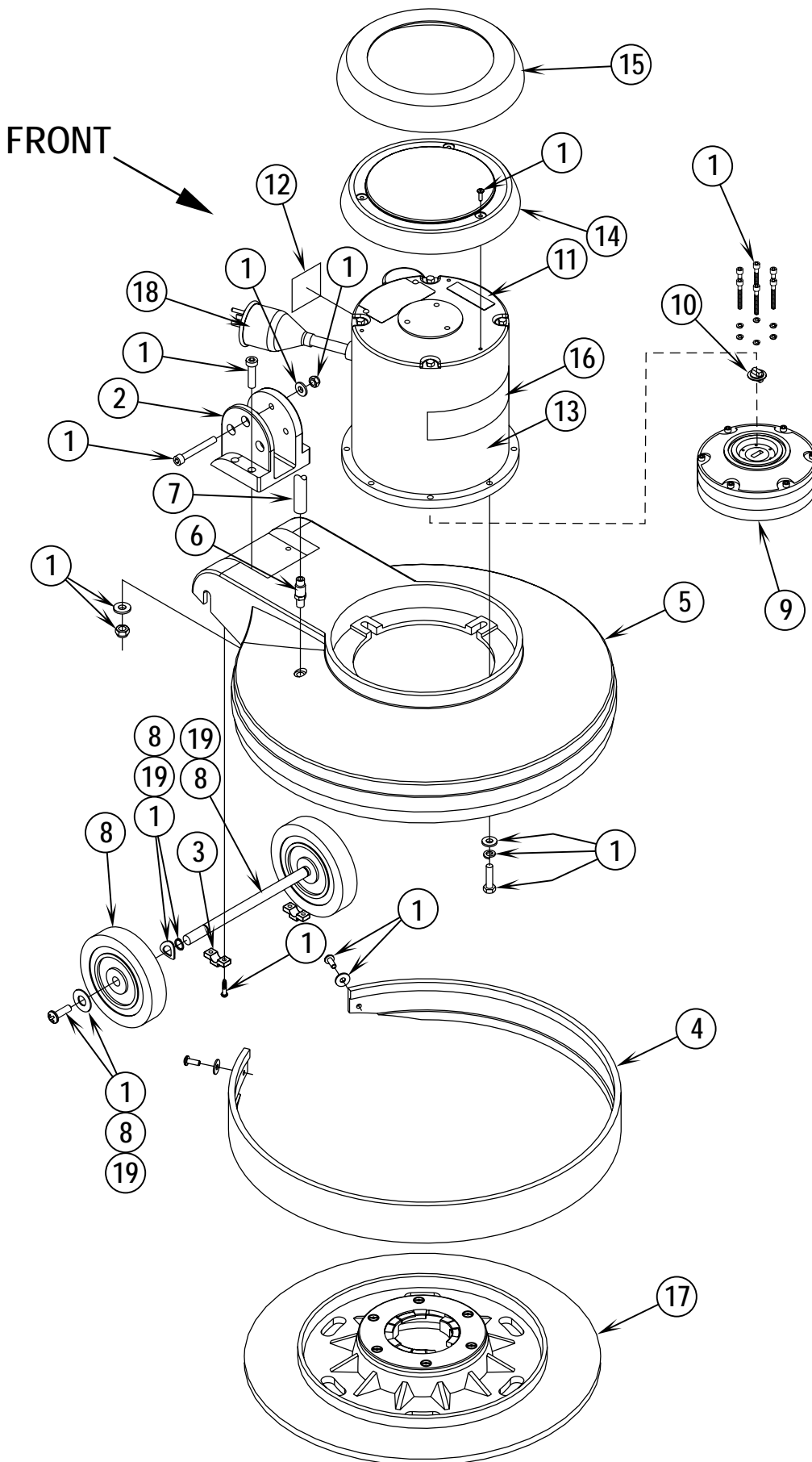
Item	Ref. No.	Qty	Description	Item	Ref. No.	Qty	Description
1	56107130	1	Pivot Kit (kit includes)	21	56107140	1	Axle Kit (kit includes)
	NA	4	Scr, M6 x 30mm		NA	2	Ring, Retaining 12mm
	NA	1	Plate, Handle Guide		NA	4	Washer, Flat M13
2	56107120	1	Hardware Kit (refer to inside front cover for kit contents)		NA	1	Axle
3	NA	1	See Compression Handle Release Kit		NA	2	Washer 6.2 x 22 x 1.5
4	56107049	2	Clamp, Block Axle		NA	2	Screw, M6 x 12.7 Hex Socket
5	56649350	1	Mighty-Lok Short Trim Pad Holder, 17"		NA	2	Wsh, Wave 12mm
	56649351	1	Mighty-Lok Short Trim Pad Holder, 20"	**	56505910	1	Short-Trim Pad Holder 17
6	56107059	1	Bumper, 17"	**	56505270	1	Level-Set Pad Holder 17
	56107060	1	Bumper, 20"	**	56505915	1	ProLite™ Brush 17
7	56107061	1	Frame, 17"	**	56505914	1	Prolene Brush 17
	56107062	1	Frame, 20"	**	56505911	1	MagnaGrit™ 46 Brush 17
8	56107063	1	Barb, Hose	**	56505912	1	DynaGrit™ 80 Brush 17
9	56107064	1	Hose, Solution	**	56505918	1	MidLite Grit™ 180 Brush 17
10	56107122	1	Wheel Kit (kit includes)	**	56505917	1	MidGrit™ 240 Brush 17
	NA	2	Wheel, 5"	**	56505913	1	AgLite™ 500 Brush 17
	NA	2	Ring, Retaining 12mm	**	56505916	1	Union Mix Brush 17
	NA	4	Washer, Flat M13	**	56505539	1	Soft-Touch™ Shampoo Brush 17
	NA	1	Axle	**	56505920	1	Short-Trim Pad Holder 20
	NA	2	Washer 6.2 x 22 x 1.5	**	56505280	1	Level-Set Pad Holder 20
	NA	2	Screw, M6 x 12.7 Hex Socket	**	56505925	1	ProLite™ Brush 20
	NA	2	Wsh, Wave 12mm	**	56505924	1	Prolene Brush 20
11	NA	1	See Compression Handle Release Kit	**	56505921	1	MagnaGrit™ 46 Brush 20
12	56107071	1	Gearbox TSBUS2003-844	**	56505922	1	DynaGrit™ 80 Brush 20
13	56107072	1	Coupling	**	56505928	1	MidLite Grit™ 180 Brush 20
14	56107073	1	Motor, 1.25HP TSBUS2003-844	**	56505927	1	MidGrit™ 240 Brush 20
*	56171160	1	Capacitor, Start	**	56505923	1	AgLite™ 500 Brush 20
*	56107134	1	Rotary Switch	**	56505926	1	Union Mix Brush 20
*	56107135	1	Stationary Switch	**	56505540	1	Soft-Touch™ Shampoo Brush 20
15	56107076	1	Label, Motor	**	56506006	A/R	NP-92 Clutch Plate for Above Brushes
16	56107077	1	Top Cover, Motor	**	56393567	A/R	"Big Mouth" Pad Retainer
17	56107079	1	Bumper, Top Cover				
18	56107075	1	Label, Read Manual				
19	56015067	1	Decal, Pacesetter 170				
	56015091	1	Decal, Pacesetter 200				
20	56107132	1	Plug Protector, Small Male				

* = Not Shown
** = Optional

NOTE: Pad Holders and Brushes come complete with Industry Standard NP-92 Clutch Plate.



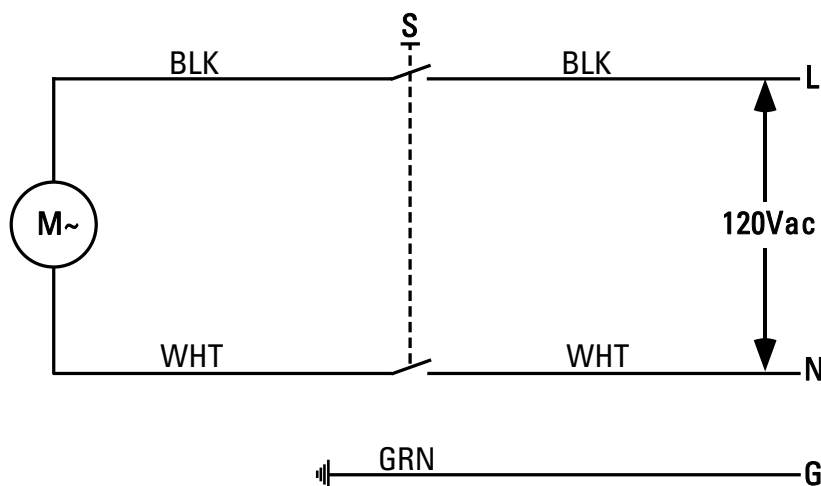
Item	Ref. No.	Qty	Description
S	56107035	1	Switch Assembly
M	56107073	1	Motor, 1.25HP
*	56171160	1	Capacitor, Start



Item	Ref. No.	Qty	Description	Item	Ref. No.	Qty	Description
1	56107120	1	Hardware Kit (refer to inside front cover for kit contents)	19	56107141	1	Axle Kit (kit includes)
2	56107125	1	Mounting Base, Gear (Handle Pivot Kit)		NA	1	Axle
3	56107049	2	Clamp, Block Axle		NA	2	Wsh, Wave 12mm
4	56107059	1	Bumper, 17"		NA	2	Ring, Retaining 12mm
	56107060	1	Bumper, 20"		NA	2	Washer 6.2 x 22 x 1.5
5	56107061	1	Frame, 17"		NA	2	Screw, M6 x 12.7 Hex Socket
	56107062	1	Frame, 20"	**	56505910	1	Short-Trim Pad Holder 17
6	56107063	1	Barb, Hose	**	56505270	1	Level-Set Pad Holder 17
7	56107064	1	Hose, Solution	**	56505915	1	ProLite™ Brush 17
8	56107129	1	Wheel Kit (kit includes)	**	56505914	1	Prolene Brush 17
	NA	1	Axle	**	56505911	1	MagnaGrit™ 46 Brush 17
	NA	2	Wsh, Wave 12mm	**	56505912	1	DynaGrit™ 80 Brush 17
	NA	2	Wheel, 5"	**	56505918	1	MidLite Grit™ 180 Brush 17
	NA	2	Ring, Retaining 12mm	**	56505917	1	MidGrit™ 240 Brush 17
	NA	2	Washer 6.2 x 22 x 1.5	**	56505913	1	AgLite™ 500 Brush 17
	NA	2	Screw, M6 x 12.7 Hex Socket	**	56505916	1	Union Mix Brush 17
9	56107071	1	Gearbox TSBUS2003-844	**	56505539	1	Soft-Touch™ Shampoo Brush 17
10	56107072	1	Coupling	**	56505920	1	Short-Trim Pad Holder 20
11	56107074	1	Motor, 1.75HP TSBUS2003-844	**	56505280	1	Level-Set Pad Holder 20
*	56107139	1	Capacitor, Run	**	56505925	1	ProLite™ Brush 20
*	56171160	1	Capacitor, Start	**	56505924	1	Prolene Brush 20
*	56107134	1	Rotary Switch	**	56505921	1	MagnaGrit™ 46 Brush 20
*	56107135	1	Stationary Switch	**	56505922	1	DynaGrit™ 80 Brush 20
12	56107075	1	Label, Read Manual	**	56505928	1	MidLite Grit™ 180 Brush 20
13	56107076	1	Label, Motor	**	56505927	1	MidGrit™ 240 Brush 20
14	56107077	1	Top Cover, Motor	**	56505923	1	AgLite™ 500 Brush 20
15	56107079	1	Bumper, Top Cover	**	56505926	1	Union Mix Brush 20
16	56015082	1	Decal, Pacesetter 170HD	**	56505540	1	Soft-Touch™ Shampoo Brush 20
	56015102	1	Decal, Pacesetter 200HD	**	56506006	A/R	NP-92 Clutch Plate for Above Brushes
17	56649350	1	Mighty-Lok Short Trim Pad Holder, 17"	**	56393567	A/R	"Big Mouth" Pad Retainer
	56649351	1	Mighty-Lok Short Trim Pad Holder, 20"				
18	56107132	1	Plug Protector, Small Male				

* = Not Shown
** = Optional

NOTE: Pad Holders and Brushes come complete with Industry Standard NP-92 Clutch Plate.



Item	Ref. No.	Qty	Description
S	56107035	1	Switch Assembly
M	56107074	1	Motor, 1.75HP
*	56107139	1	Capacitor, Run
*	56171160	1	Capacitor, Start

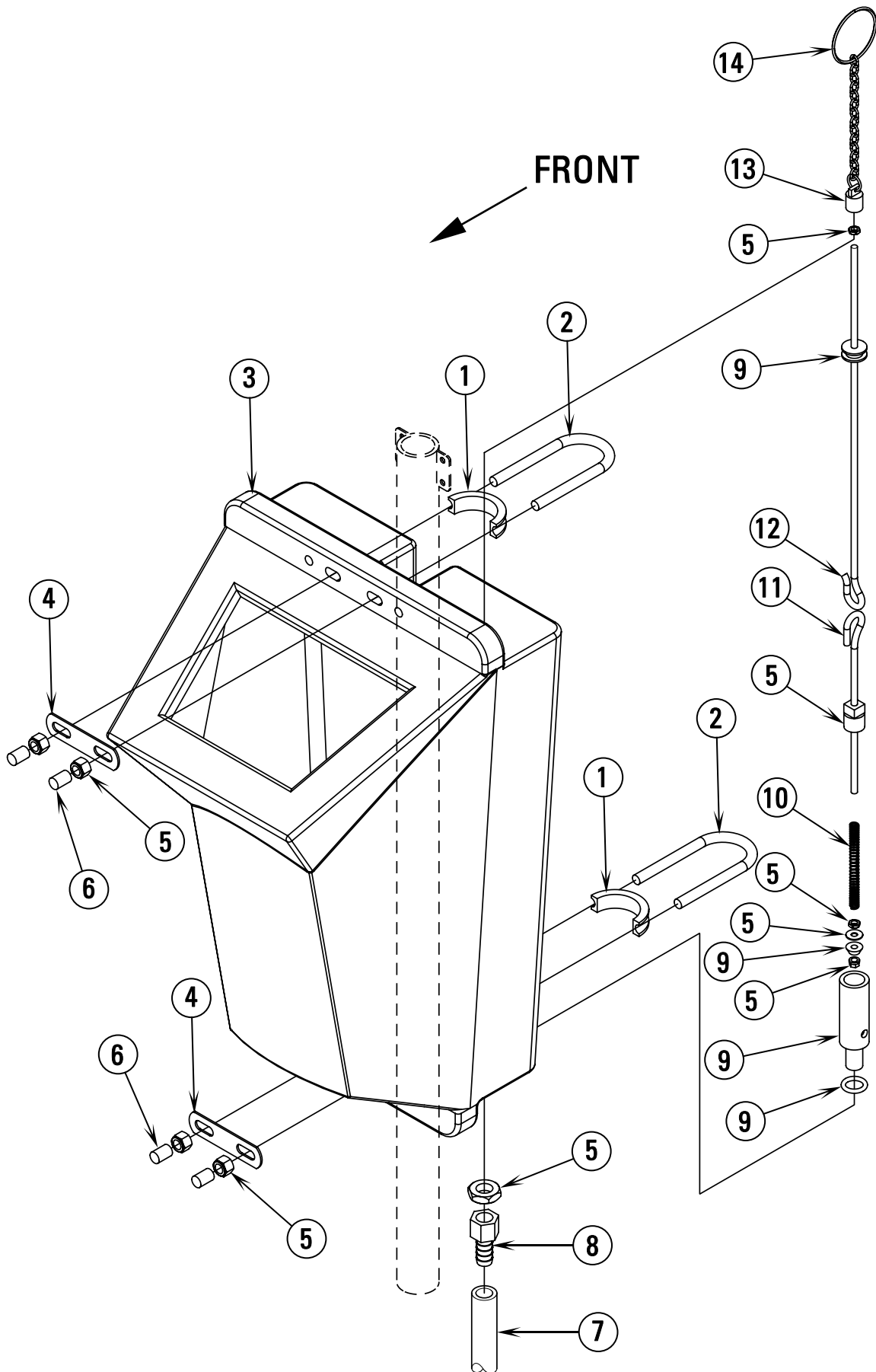
SOLUTION TANK KIT

02-4

10

Pacesetter™ 170, 200 / 170HD, 200HD

04-5



02-4

SOLUTION TANK KIT

03-5

Pacesetter™ 170, 200 / 170HD, 200HD**11**

Item	Ref. No.	Qty	Description
	56107100	1	Solution Tank Assembly
1	56107098	2	Gasket
2	56107099	2	Bolt, U Shaped
3	56107101	1	Solution Tank (5 gallon)
4	56107102	2	Clamp, Plate
5	56107126	1	Hardware Kit (kit includes)
	NA	4	Nut, M8
	NA	1	Nut, M14
	NA	1	Nut, M5
	NA	1	Washer, Flat M5
	NA	2	Nut, M5, Brass
	NA	1	Screw
6	56107104	4	Cap, Bolt
7	56107064	1	Hose, Solution
8	56107105	1	Barb, Hose
9	56107127	1	Seal Kit (kit includes)
	NA	1	O-Ring
	NA	1	Valve Body
	NA	1	Seal, Rubber
	NA	1	Seal, Tank
10	56107113	1	Spring
11	56107115	1	Lower Pulling Rod
12	56107116	1	Upper Pulling Rod
13	56107118	1	Seat, Chain
14	56107119	1	Chain



**Nilfisk
Advance**

setting standards

Nilfisk-Advance, Inc.
14600 21st Avenue North
Plymouth, MN 55447-3408
www.nilfisk-advance.com
Phone: 800-989-2235
Fax: 800-989-6566
©2004 Printed in the U.S.A.