



## Electronic Service Manuals

This electronic document is provided as a service to our customers. We do not create the contents of the information contained in this document. Should you have detailed questions pertaining to the information contained in this document, you may contact Michco, or the manufacturer which provided the original information in this electronic deliverable. Michco's only part in this electronic deliverable was the electronic assembly process.

You may contact Michco through the following methods:  
Phone (517) 484-9312 or (800) 331-3339 MI, OH, IN only  
2011 N. High St. -- Lansing, Michigan -- 48906  
Fax: (517) 484-9836  
Email: [CustServ@Michco.com](mailto:CustServ@Michco.com)  
Web site: [www.Michco.Com](http://www.Michco.Com)  
Parts Web site: [www.FloorMachineParts.Com](http://www.FloorMachineParts.Com)

Order Parts on Line at:  
**[www.FloorMachineParts.Com](http://www.FloorMachineParts.Com)**

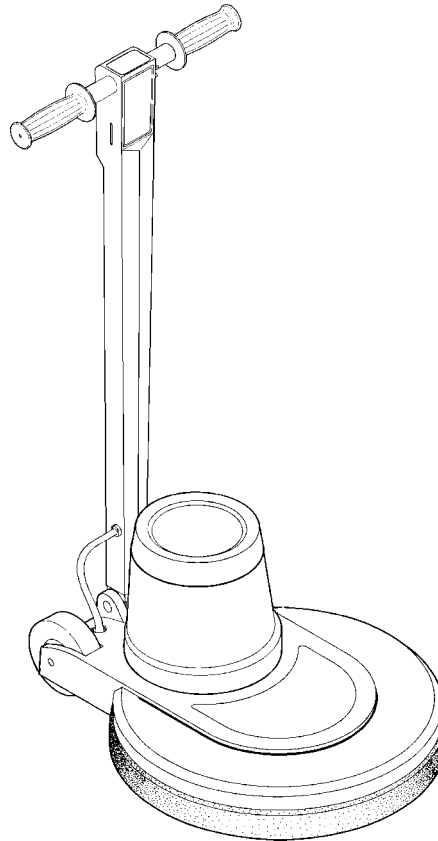
Directly to Parts & Service:  
By Email: **[Shop@Michco.com](mailto:Shop@Michco.com)**  
By Fax: (517) 702-2041  
By Voice: Use numbers above.

**Serving the Cleaning Industry Since 1922**

Notice: All copyrighted material remains property of original owners, all trademarks are property of respective owners. Manuals are subject to Manufacturer's reproduction limitations. Originals or reproductions were provided by manufacturers through a request. We make no warranty as to the correctness of information provided in this document and you assume all risk.

# Matador™ 17HD / 20HD

---



**PARTS LIST**  
**Advance MODELS 56172210(17HD)**  
**56172214(20HD)**



**Nilfisk**  
**Advance**

*setting standards*

4/01 FORM NO. 56042418

# OPTIONAL BRUSHES AND ACCESSORIES

Ref. No. Qty Description

## 17" Brushes For Silver NP-47 Drive Cap

56505055	1	Magna Grit™ 46 Brush, 17"
56505054	1	Dyna Grit™ 80 Brush, 17"
56505078	1	MidLite Grit™ 180 Brush, 17"
56505082	1	MidGrit™ 240 Brush, 17"
56505059	1	AgLite™ 500 Brush, 17"
56505331	1	Prolene Brush, 17"
56505076	1	ProLite™ Brush, 17"
56505334	1	Union Mix Brush, 17"
56505330	1	Short-Trim Pad Holder, 17"
56505180	1	Level-Set Pad Holder, 17"
56505530	1	Soft-Touch™ Shampoo Brush, 17"
56505537	1	Soft-Touch™ Shampoo Brush Assy, 17"
56506001	1	Clutch Plate for Above Brushes ( <b>Silver/NP-47</b> )

## 20" Brushes For Silver NP-47 Drive Cap

56505058	1	Magna Grit™ 46 Brush, 20"
56505048	1	Dyna Grit™ 80 Brush, 20"
56505079	1	MidLite Grit™ 180 Brush, 20"
56505083	1	MidGrit™ 240 Brush, 20"
56505063	1	AgLite™ 500 Brush, 20"
56505450	1	Prolene Brush, 20"
56505077	1	ProLite™ Brush, 20"
56505454	1	Union Mix Brush, 20"
56505455	1	Short-Trim Pad Holder, 20"
56505183	1	Level-Set Pad Holder, 20"
56505531	1	Soft-Touch™ Shampoo Brush, 20"
56505538	1	Soft-Touch™ Shampoo Brush Assy, 20"
56506001	1	Clutch Plate for Above Brushes ( <b>Silver/NP-47</b> )

<b>DESCRIPTION</b>	<b>PAGE</b>
HANDLE ASSEMBLY-FRONT VIEW .....	4-5
HANDLE ASSEMBLY-REAR VIEW .....	6-7
BASE ASSEMBLY .....	8-9
WIRING DIAGRAM .....	10

#### WHEN ORDERING PARTS

- \* Use the 8 digit numbers from the "Ref. No." columns in this parts list.
- \* Specify the model and serial number of the machine.
- \* Use the space below to record the model and serial number for future reference.

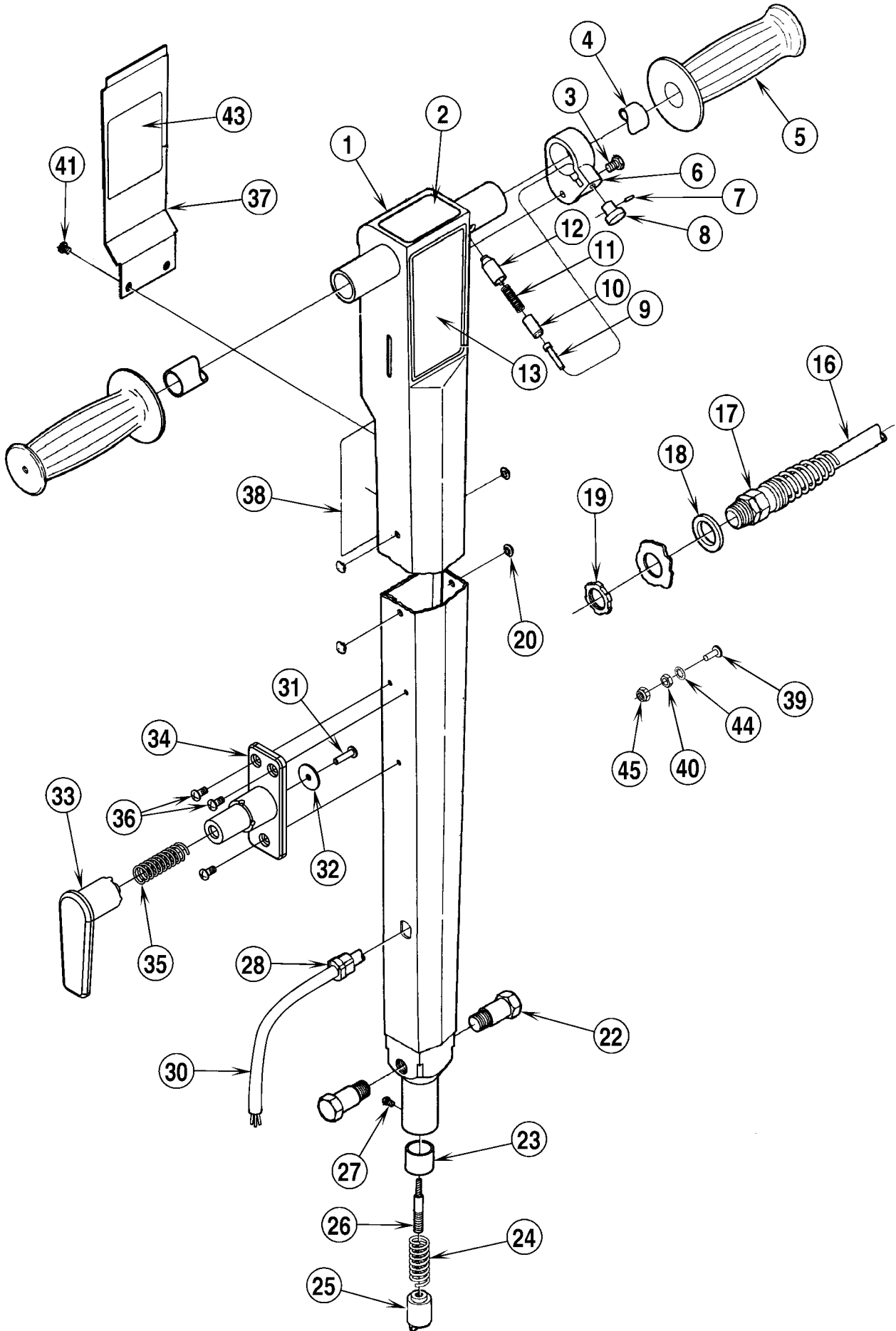
Model \_\_\_\_\_ Serial No. \_\_\_\_\_

HANDLE ASSEMBLY-FRONT VIEW

01-4

4

Matador™ 17HD / 20HD



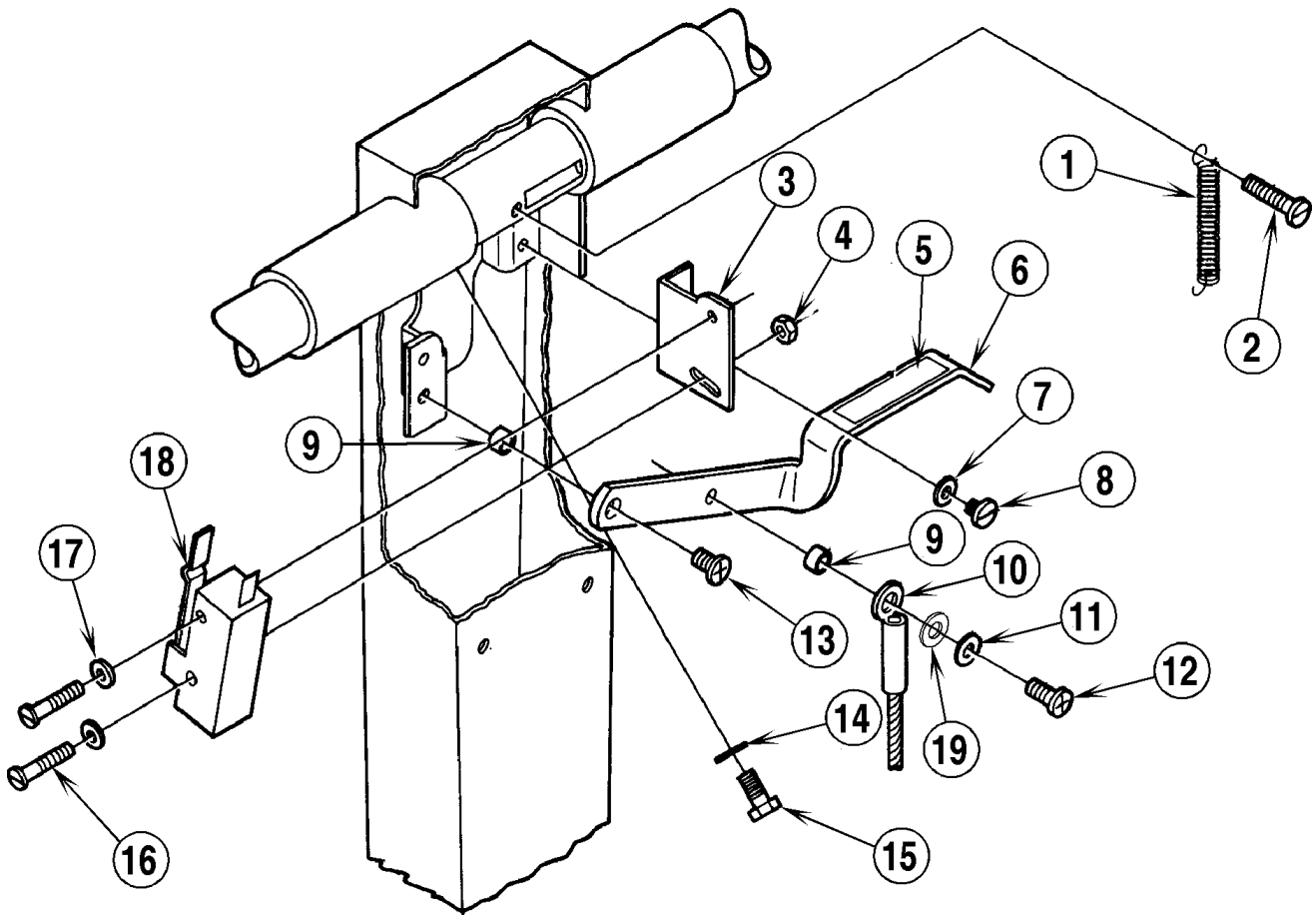
Item	Ref. No.	Qty	Description
	56172298	1	Handle Assembly
1	56172274	1	Handle
2	56014924	1	Decal, Warning
3	56001854	1	Scr, Hex Hd 1/4-20 x .50
*	56002840	1	Nut, Hex Nyl Loc-Thin 1/4-20
*	56002098	1	Wsh, Flt SAE 1/4
4	56171343	1	Handle Tube
5	56388545	2	Hand Grip
6	56172275	1	Collar
	56172321	1	Collar Assy (#6-9)
7	56003129	1	Pin
8	56201405	1	Knob
9	56172217	1	Pin
10	56171279	1	Plunger
11	56201448	1	Spring
12	56171281	1	Bushing
13	56016439	1	Decal, Handle
16	56524069	1	Cord Set
17	56109630	1	Strain Relief
	56109632	1	Brass Insert for 56109630
18	56171093	1	Washer
19	56009095	1	Nut, Conduit Loc 1/2-14
20	56153699	4	Button Plug
22	56171336	2	Shoulder Bolt
23	56171269	1	Bushing
24	56171361	1	Spring
25	56171132	1	Plunger
26	56171373	1	Cable
27	56001851	1	Scr, Rd Drive #4-40 x .25
28	56382818	1	Strain Relief
30	56171128	1	Cord Set
	56171112	1	Cord Hook Assembly (#31-35)
31	56009005	1	Scr, Pan Phil SS Type B 10-16 x .75
32	56009096	1	Wsh, Flt .193 x .875 x .060
33	56171110	1	Arm
34	56171111	1	Base
35	56380732	1	Spring
36	56009030	4	Scr, Pan Phil Thd Form 10-24 x .38
37	56172273	1	Cover
38	56014828	1	Decal, Warning
39	56002003	1	Scr, Pan Phil 8-32 x .50
40	56009148	1	Nut, Hex 8-32
41	56009051	3	Scr, Pan Phil Thd Form#8-32 x .38
43	56014326	1	Decal, Important
44	56009010	1	Wsh, Int Shprf #8
45	56002877	1	Nut, Hex Nyl Loc SS 8-32

HANDLE ASSEMBLY-REAR VIEW

01-4

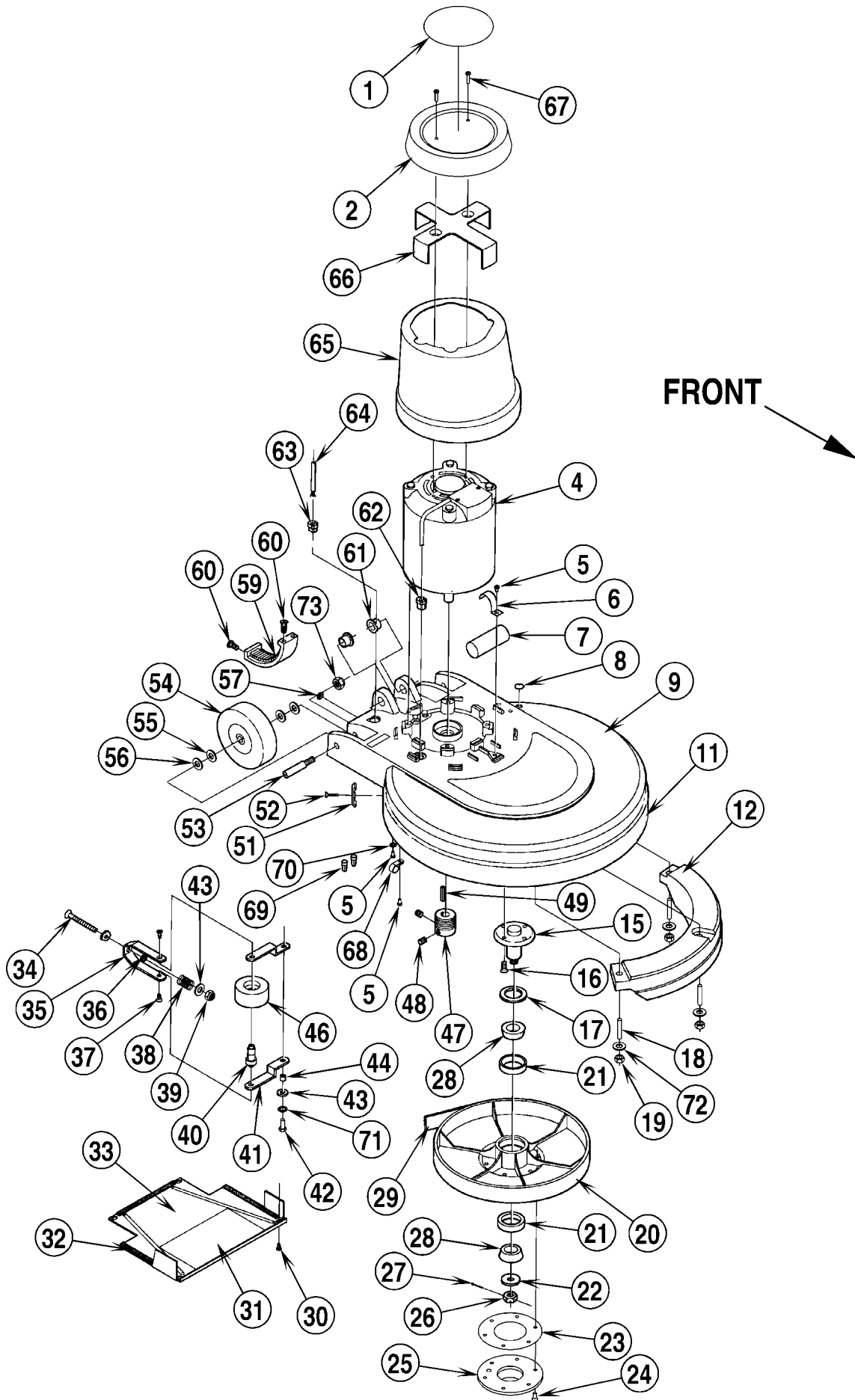
6

Matador™ 17HD / 20HD



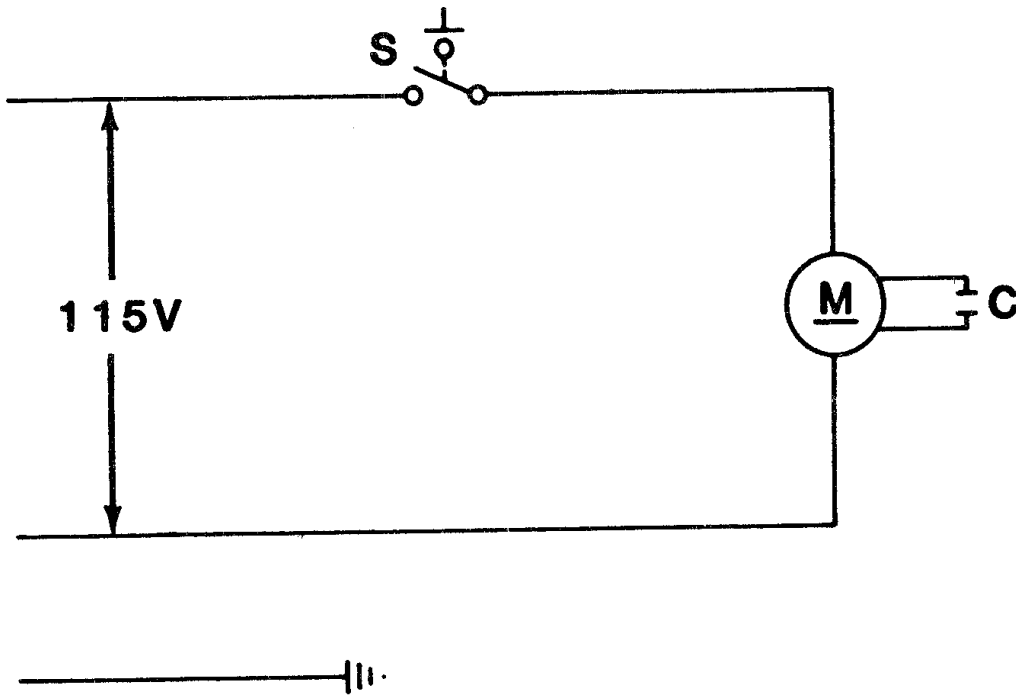
Item	Ref. No.	Qty	Description
1	56445177	1	Spring
2	56009034	1	Scr, Pan Phil Thd Form #8-32 X .88
3	56171209	1	Bracket
4	56002746	1	Nut, Hex Nyl Loc SS #4-40
5	56014856	1	Decal, Handle
6	56171126	1	Lever
7	56009010	2	Wsh, Int Shprf #8
8	56009051	2	Scr, Pan Phil Thd Form #8-32 X .38
9	56151092	2	Spacer
10	56171373	1	Cable
11	56001954	1	Washer, #10
12	56009082	1	Scr, Pan Phil Thd Form #10-24 X .50
13	56009030	1	Scr, Pan Phil Thd Form #10-24 X .38
14	56009052	2	5/16 Shakeproof Washer
15	56234079	1	Scr, Machined Shank 1/4-20 X .50
16	56003104	2	Scr, Hex Hd #4-40 X 1.00
17	56009171	2	#4 Shakeproof Washer
18	56385615	1	Switch
*	56321737	1	Wire Nut
*	56478246	1	Cable Tie
19	56009125	1	Wsh, Bowed

\* = Not Shown



Item	Ref. No.	Qty	Description	Item	Ref. No.	Qty	Description
1	56014111	1	Decal, Matador 17	34	56002177	1	Scr, Flt Phil 1/4-20 x 3.00
	56014114	1	Decal, Matador 20	35	56171174	1	Bracket
2	56172277	1	Cover	36	56206849	1	Bearing
4	56172216	1	Motor 1.5HP	37	56002153	2	Scr, Flt Phil #10-24 x .38
*	56171377	1	Replacement Rotating Switch	38	56171177	1	Spring
5	56009030	3	Scr, Pan Phil Thd Form 10-24 x .38	39	56002708	1	Nut, Hex Nyl Loc 1/4-20
6	56171146	1	Clamp	40	56171733	1	Stud
7	56171160	1	Capacitor	41	56171176	2	Idler Bracket
8	56153126	1	Button Plug	42	56009018	1	Scr, Hex Thd Form 1/4-20 x .75
9	56172309	1	Skirt Housing 17"	43	56002098	1	Wsh, Flt SAE 1/4
	56172281	1	Skirt Housing 20"	44	56368989	1	Bushing
11	56514070	1	Bumper 17"	46	56171735	1	Pulley
	56514065	1	Bumper 20"		56171734	1	Idler Assembly (#40, 46)
12	56171060	1	Weight 17"	47	56171088	1	Sheave
	56171050	1	Weight 20"	48	56002021	2	Scr, Soc Set Loc 5/16-18 x .38
15	56171056	1	Stud Shaft	49	56003241	1	Key, Sq .19 x 1.31
16	56009137	4	Scr, Flt Phil 1/4-20 x .50	51	56171108	2	Clamp
17	56171078	1	Seal	52	56009166	2	Scr, Flt Thd Form #10-32 x .75
18	56171221	3	Stud (2 on 17")	53	56520845	2	Axle
	56171263	1	Stud 17"	54	56161691	2	Wheel
19	56002701	3	Nut, Hex Nyl Loc 5/16-18	55	56009003	4	Washer
20	56171090	1	Pulley	56	56009001	4	Washer, Bowed
	56171376	1	Pulley Assembly (#20,21)	57	56171369	1	Button Plug
21	56378259	2	Bearing Cup	59	56171104	1	Ratchet
22	56009115	1	Washer	60	56009126	4	Scr, Pan Phil Form 1/4-20 x .75
23	56158275	1	Gasket	61	56171095	2	Bearing
24	56009065	6	Scr, Pan Phil Thd Form #10-24 x .50	62	56172014	1	Strain Relief
25	56163430	1	Drive Cap (Silver/NP-47)	63	56382818	1	Strain Relief
26	56009118	1	Castle Nut	64	56171129	1	Cord Set
27	56002038	1	Cotter Pin, .09 x 1.00	65	56172278	1	Shroud 17"
28	56378267	2	Bearing	66	56171214	1	Clamp
29	56171200	1	Belt	67	56003106	2	Scr, Hex Loc #10-32 x 1.00
30	56009051	4	Scr, Pan Phil Thd Form #8-32 x .38	68	56300152	1	Cord Clamp
31	56014864	1	Decal, Instruction	69	56321737	2	Wire Nut
32	56320099	2'	Gasket (50.8 mm)	70	56009011	1	Wsh, Int Shprf #10
33	56171092	1	Cover 17"	71	56009064	1	Wsh, Int Shprf 1/4
	56171121	1	Cover 20"	72	56001939	3	Wsh, Flt SAE 5/16
				73	56002841	2	Nut, Hex Nyl Loc-Thin 3/8-16

\* = Not Shown



Item	Ref. No.	Qty	Description
S	56385615	1	Switch
M	56172216	1	Motor 1.5HP
*	56171377	1	Replacement Rotating Switch
	56171228	1	Stationary Switch
C	56171160	1	Capacitor

\* = Not Shown



**Nilfisk  
Advance**

*setting standards*

Nilfisk-Advance, Inc.

14600 21st Avenue North  
Plymouth, MN, 55447-3408

[www.nilfisk-advance.com](http://www.nilfisk-advance.com)

Phone: 800-989-2235

Fax: 800-989-6566

©2001 Nilfisk-Advance, Inc.,  
Plymouth, MN 55447-3408

Printed in the U.S.A.