



Electronic Service Manuals

This electronic document is provided as a service to our customers. We do not create the contents of the information contained in this document. Should you have detailed questions pertaining to the information contained in this document, you may contact Michco, or the manufacturer which provided the original information in this electronic deliverable. Michco's only part in this electronic deliverable was the electronic assembly process.

You may contact Michco through the following methods:
Phone (517) 484-9312 or (800) 331-3339 MI, OH, IN only
2011 N. High St. -- Lansing, Michigan -- 48906
Fax: (517) 484-9836
Email: CustServ@Michco.com
Web site: www.Michco.Com
Parts Web site: www.FloorMachineParts.Com

Order Parts on Line at:
www.FloorMachineParts.Com

Directly to Parts & Service:
By Email: **Shop@Michco.com**
By Fax: (517) 702-2041
By Voice: Use numbers above.

Serving the Cleaning Industry Since 1922

Notice: All copyrighted material remains property of original owners, all trademarks are property of respective owners. Manuals are subject to Manufacturer's reproduction limitations. Originals or reproductions were provided by manufacturers through a request. We make no warranty as to the correctness of information provided in this document and you assume all risk.

GYRO 13

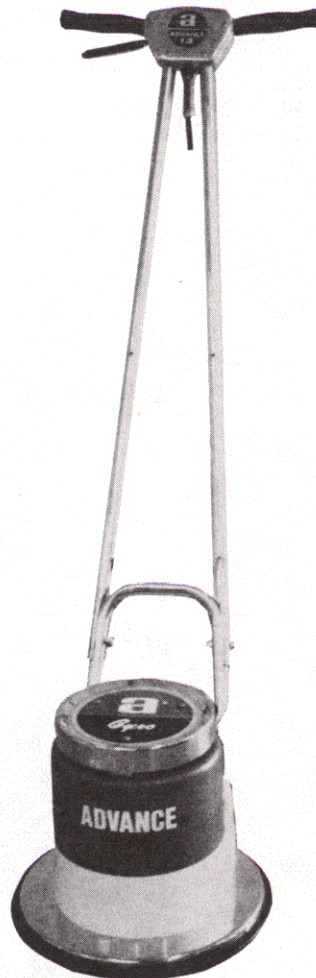
MODELS G13 115V

G13-5 230V

FORM NO 042038

APRIL 1980

PARTS LIST



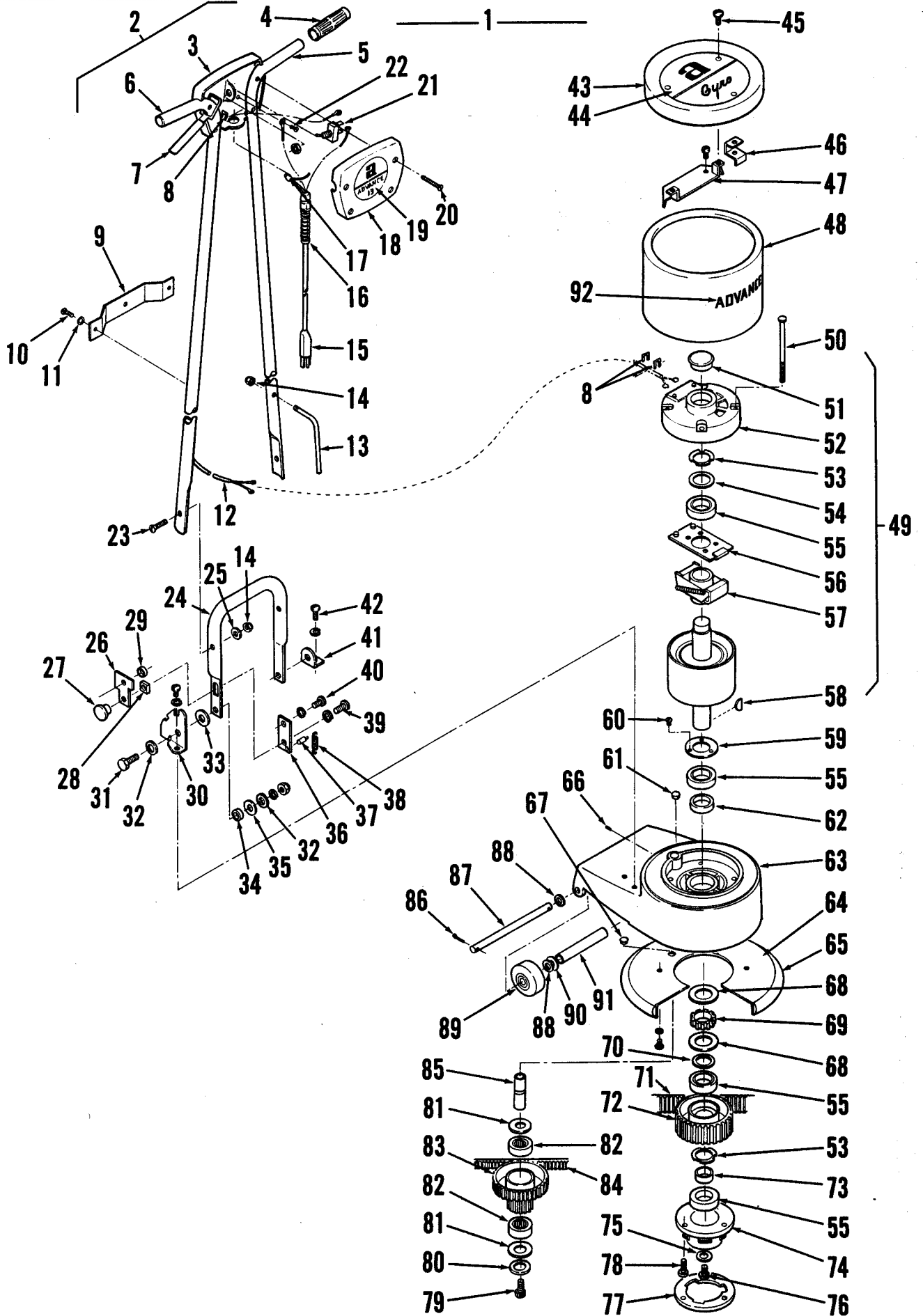
ADVANCE
MACHINE COMPANY

INTERNATIONAL HEADQUARTERS, Spring Park, Minnesota 55384 USA
EUROPE, 4 Rue Jean Engling, Dommeldange, Luxembourg
CANADA, 45 Iron Street, Rexdale, Ontario



INDEX FOR FORM NUMBER 042038

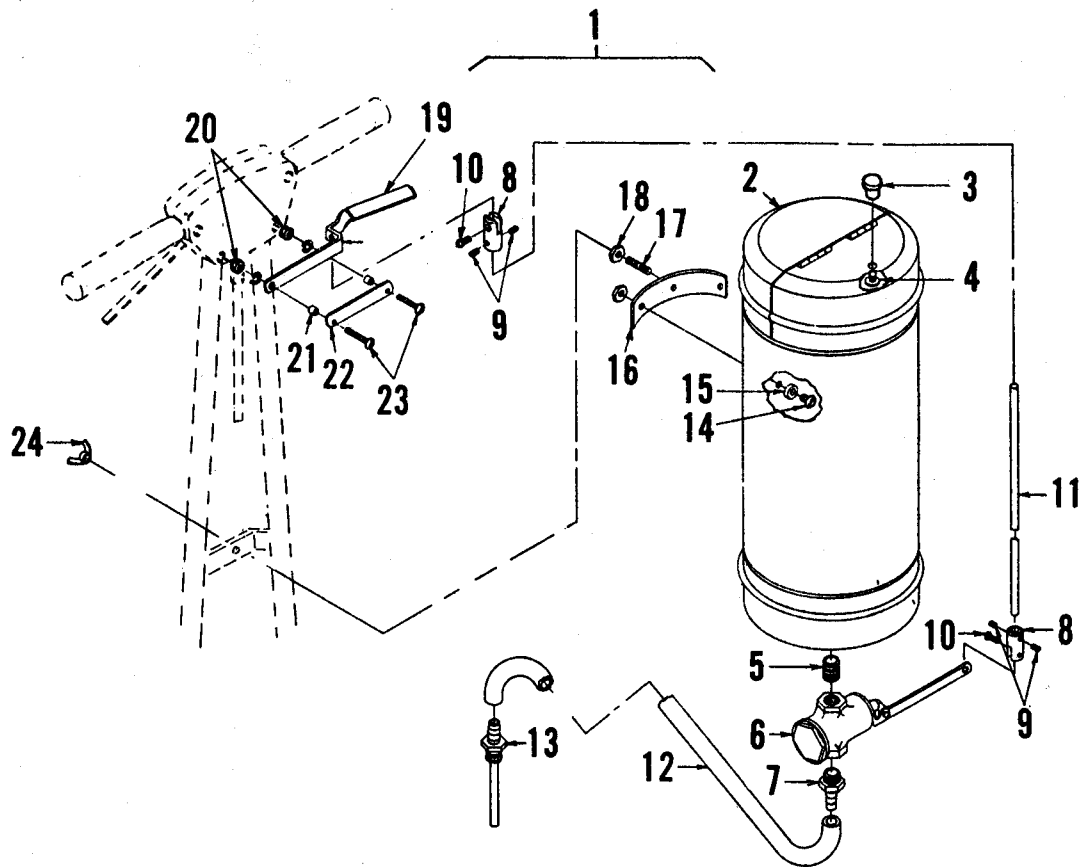
<u>Description</u>	<u>Location</u>	<u>Page</u>
Handle & Base	D1	1
Tank, Solution	D3	3



MAIN ASSEMBLY

MAIN ASSEMBLY

ITEM	PART NO	QTY	DESCRIPTION	ITEM	PART NO	QTY	DESCRIPTION
1	152 271	1	GYRO 13, 115V	47	512 028	1	BRACKET, Cover Rear
	152 275	1	GYRO 13-5, 230V	48	152 188	1	SHROUD, Motor
2	152 072	1	HANDLE ASSEMBLY (Items 2 thru 22)	49	512 362	1	MOTOR, 115V Assembly (Includes Items 49
3	152 331	1	HOUSING, Rear		512 400	1	MOTOR, 230V thru 57)
4	151 270	2	GRIP, Handle	50	152 082	4	STUD, Motor
5	150 932	1	TUBE	51	152 084	1	CAP, Dust
6	150 959	1	TUBE	52	151 442	1	END BELL
7	151 327	1	LEVER, Switch	53	320 153	2	SPRING, Load
8	162 981	3	STRAIN RELIEF	54	151 469	1	WASHER
9	150 207	1	BRACKET	55	372 773	4	BEARING
10		2	SCREW, #10-32 X .375 Rd. Hd.	56	151 483	1	SWITCH, Stationary
11		2	LOCKWASHER, #10 Spring	57	152 099	1	SWITCH, Centrifugal
12	151 344	1	CORD ASSEMBLY	58	151 718	1	KEY
13	151 262	1	HOOK, Cord	59	512 788	1	WASHER
14	150 975	1	NUT, Lock	60		3	SCREW, 8-32 X .375 Pan Hd.
15	511 781	1	CORD SET	61	153 648	1	PLUG, Button
16	151 947	1	STRAIN RELIEF	62	512 974	1	BUSHING
17	321 737	1	CONNECTOR, Wire	63	152 137	1	HOUSING, Drive
18	152 277	1	COVER	64	152 140	1	HOUSING, Brush
19	014 780	1	DECAL, Advance	65	511 005	1	BUMPER
20		4	SCREW, 10-24 X 1.50 Rd. Hd.	66		1	SCREW, Set 1/4-20 X .312 Socket
21	151 319	1	SWITCH, Toggle	67	152 323	1	PLUG
22		1	SCREW, 10-24 X .437 Rd. Hd.	68	512 702	2	WASHER
23		2	SCREW, 1/4-20 X 1.125 Rd. Hd.	69	512 621	1	PULLEY, Motor
24	150 916	1	HANDLE, Fork	70	513 059	1	WASHER
25	150 142	6	WASHER	71	151 912	1	BELT
26	151 009	1	LATCH	72	512 524	1	PULLEY, Main Drive
27	151 017	1	KNOB	73	512 869	1	BUSHING
28	151 084	1	BUSHING	74	151 874	1	CAP, Drive
29	151 092	1	BUSHING	75	151 807	1	WASHER
30	150 983	1	PLATE, Latch	76	151 785	1	SCREW
31		2	SCREW, 1/4-20 X .75 w/Nut & Lkw. Hex Hd.	77	163 341	1	PLATE, Brush
32	151 114	4	WASHER	78		3	SCREW, 10-24 X .625 Fill. Hd.
33	151 068	2	WASHER, Fibre	79		1	SCREW, 10-24 X .375 Socket Hd.
34	151 106	2	BUSHING	80	150 118	1	WASHER, Idler Shaft
35	151 041	2	WASHER, Spring	81	151 858	2	BEARING, Thrust
36	151 076	1	PLATE, Latch	82	151 831	2	BEARING, Idler
37	151 122	2	PIN, Groove	83	151 505	1	PULLEY ASSEMBLY
38	151 130	1	SPRING, Latch	84	151 939	1	BELT
39		1	SCREW, 10-24 X .75 w/Lkw. Rd. Hd.	85	150 096	1	SHAFT, Idler
40		1	SCREW, 10-24 X .50 w/Lkw. Rd. Hd.	86		2	PIN, Cotter 1/16 X .375
41	151 025	1	HINGE, Plate	87	150 126	1	AXLE
42		4	SCREW, 1/4-20 X .50 w/Lkw. Pan Hd.	88	150 142	6	WASHER
43	152 153	1	COVER, Motor	89	322 156	2	WHEEL
44	014 842	1	DECAL, Motor Cover	90	150 150	2	WASHER, Spring
45		6	SCREW, 8-32 X .375 Pan Hd.	91	150 134	1	TUBE, Axle
46	512 230	1	BRACKET, Cover Front	92	014 532	1	DECAL, Advance



ITEM	PART NO	QTY	DESCRIPTION
1	150 177	1	SOLUTION TANK ASSEMBLY w/VALVE
2	150 169	1	SOLUTION TANK
3	151 017	1	KNOB
4		1	SCREW, 10-24 X .25 Pan Hd.
5	150 223	1	NIPPLE, Close 1/4
6	150 215	1	VALVE, Solution
7	155 640	1	INSERT, Barbed
8	150 290	2	COUPLER, Cable
9		4	SCREW, Socket 10-24 X .187
10		2	SCREW, 6-32 X .50 Oval Hd.
11	150 185	30"	CABLE, Control
12	150 231	12"	TUBE
13	150 282	1	PIPE, Water
14		2	SCREW, 1/4-20 X .50 w/Nut Rd. Hd.
15	204 218	2	WASHER, Sealing
16	150 193	1	PLATE, Mounting
17	150 274	1	BOLT, Stud 1/4"
18		1	NUT, 1/4-20 Mach. Hex
19	150 266	1	HANDLE
20		2	NUT, 10-24 Hex
21	151 092	2	BUSHING
22	150 258	1	STOP, Handle
23		2	SCREW, 10-24 X 1.75 w/Lkw. Rd. Hd.
24		1	NUT, Wing 1/4-20