



Electronic Service Manuals

This electronic document is provided as a service to our customers. We do not create the contents of the information contained in this document. Should you have detailed questions pertaining to the information contained in this document, you may contact Michco, or the manufacturer which provided the original information in this electronic deliverable. Michco's only part in this electronic deliverable was the electronic assembly process. By providing this manual online we are not guaranteeing parts availability.

You may contact Michco through the following methods:

Phone (517) 484-9312

2011 N. High St. -- Lansing, Michigan -- 48906

Fax: (517) 484-9836

Email: CustomerService@Michco.com

Website: www.Michco.Com

Order Parts online at:

www.Michco.Com

Directly to Parts & Service:

By Email: **CustomerService@Michco.com**

By Fax: (517) 484-9836

By Voice: (517) 484-9312

Serving the Cleaning Industry Since 1922

Notice: All copyrighted material remains property of original owners, all trademarks are property of respective owners. Manuals are subject to Manufacturer's reproduction limitations. Originals or reproductions were provided by manufacturers through a request. We make no warranty as to the correctness of information provided in this document and you assume all risk. By placing these manuals on line we are not declaring our corporation to be an manufacturer authorized dealer or provider, please check our web site for authorized manufacturers we represent.

BU800 20B

BU800 20BT

Instructions for use and Parts List

Instructions for Use
Original Instructions
Instrucciones de uso
Mode d'emploi

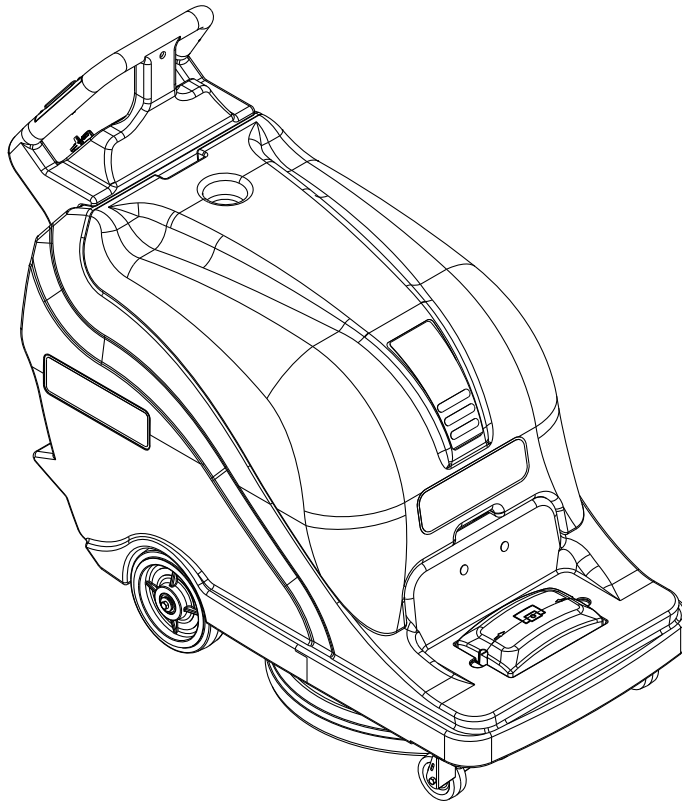
Instrucciones para el
uso y lista de piezas
Guides d'utilisation et
liste des pièces

9/2013 revised 12/2019 REV H
Form no. 56091111



- EN** -English (2 - 9)
- ES** -Español (10 - 17)
- FR** -Français (18 - 25)

PARTS LIST (26 - 49)



Models:

56383509 (20BT 200AH), 56383510 (20B 200AH),
56383511 (20BT 234AH AGM), 56383512 (20B 234AH AGM),
56383513 (20BT W/NO BATT), 56384001 (20BT), 56384002 (20B)

Models:

(w/Active Vac): 56383505 (20BAT 200AH), 56383506 (20BA 200AH),
56383507 (20BAT 234AH AGM), 56383508 (20BA 234AH AGM)

TABLE OF CONTENTS

Safety Instructions	3
Know Your Machine.....	4
Introduction.....	5
Parts and Service	5
Nameplate	5
Uncrating the Machine	5
Preparing the Machine for Use.....	5
Servicing Batteries	5
Battery Installation.....	7
Pad Installation.....	7
Dust Bag Installation	7
Adjusting Pad Pressure.....	7
Maintenance	8
Maintenance Schedule.....	8
Battery Maintenance	8
Troubleshooting.....	8
Machine Vibration.....	8
Swirl Marks.....	8
Reduced Running Time.....	8
Specifications	9
Section II Parts List.....	27

WARNING!

The Products sold with this Manual contain or may contain chemicals that are known to certain governments (such as the State of California, as identified in its Proposition 65 Regulatory Warning Law) to cause cancer, birth defects or other reproductive harm. In certain locations (including the State of California) purchasers of these Products that place them in service at an employment job site or a publicly accessible space are required by regulation to make certain notices, warnings or disclosures regarding the chemicals that are or may be contained in the Products at or about such work sites. It is the purchaser's responsibility to know the content of, and to comply with, any laws and regulations relating to the use of these Products in such environments. The Manufacturer disclaims any responsibility to advise purchasers of any specific requirements that may be applicable to the use of the Products in such environments.

IMPORTANT SAFETY INSTRUCTIONS

This machine is only suitable for commercial use, for example in hotels, schools, hospitals, factories, shops and offices other than normal residential housekeeping purposes.

When using this appliance, basic precautions should always be followed, including the following:

WARNING!

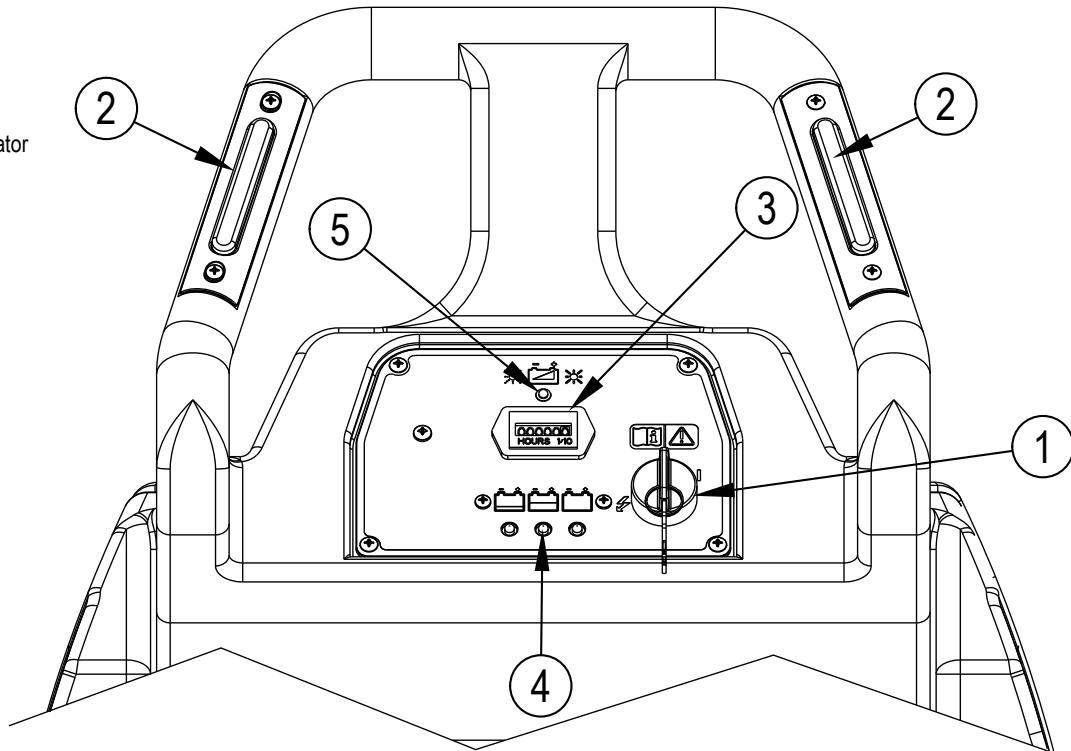
To reduce risk of fire, electric shock, injury or property damage, read all instructions before using.

- * This machine is not intended for use by persons (including children) with reduced physical, sensory or mental capabilities, or lack of experience and knowledge.
- * While on ramps or inclines, avoid sudden stops. Avoid abrupt sharp turns. Use low speed down ramps.
- * Do not operate this machine until it is completely assembled. Inspect the machine carefully before operation.
- * Machines can cause an explosion when operated near flammable materials and vapors. Do not use this machine with or near fuels, grain dust, solvents, thinners, or other flammable materials.
- * Lead acid batteries generate gases which can cause an explosion. Keep sparks and flames away from batteries. Do not smoke around the machine. Charge the batteries only in an area with good ventilation. Make sure that you unplug the AC charger from the wall outlet before disconnecting from the machine.
- * Waste Disposal Method: Dispose as hazardous waste. Observe all federal, state and local environmental regulations for acid or lead scrap. Send batteries to lead smelter for reclamation following applicable federal, state and local regulations.
- * Working with batteries can be dangerous! Always wear eye protection and protective clothing when working near batteries. Remove all jewelry. Do not put tools or other metal objects across the battery terminals, or the tops of the batteries.
- * Using a charger with a damaged power cord could result in an electrocution. Do not use the charger if the power cord is damaged.
- * Operating this machine from anywhere other than the back of the machine could result in injury or damage.
- * This machine is heavy. Get assistance before attempting to transport or move it. Use two able persons to move the machine on a ramp or incline. Always move slowly. Do not turn the machine on a ramp. If operating machine on a gradient over 2%, do not stop, turn, or park.
- * Machines can topple over if guided over the edges of stairs or loading docks and cause injury or damage. Stop and leave this machine only on a level surface. When you stop the machine, turn the key "OFF".
- * Alterations or modifications not authorized by the manufacturer voids any and all warranties and liabilities and could result in damage to the machine or injury to the operator or other bystanders.
- * Maintenance and repairs performed by unauthorized personnel could result in damage or injury.
- * Keep the electrical components of the machine dry. Wipe the machine down after each use. For storage, keep the machine in a dry building.
- * Read all machine labels before attempting to operate. Make sure all of the labels and instructional information are attached or fastened to the machine.
- * Use only commercially available floor cleaners and waxes intended for machine operation. Do not use flammable materials.
- * When cleaning, servicing or maintaining the machine, replacing parts or converting to another function, the power source should be switched off.
- * Use of this machine to move other objects or to climb on could result in injury or damage. Do not use this machine as a step or furniture. Do not ride on this machine.
- * Your machine warranty will be voided if anything other than Advance parts are used on your machine.
- * Observe the Gross Vehicle Weight, GVW, of the machine when loading, driving, lifting or supporting the machine.

SAVE THESE INSTRUCTIONS

KNOW YOUR MACHINE

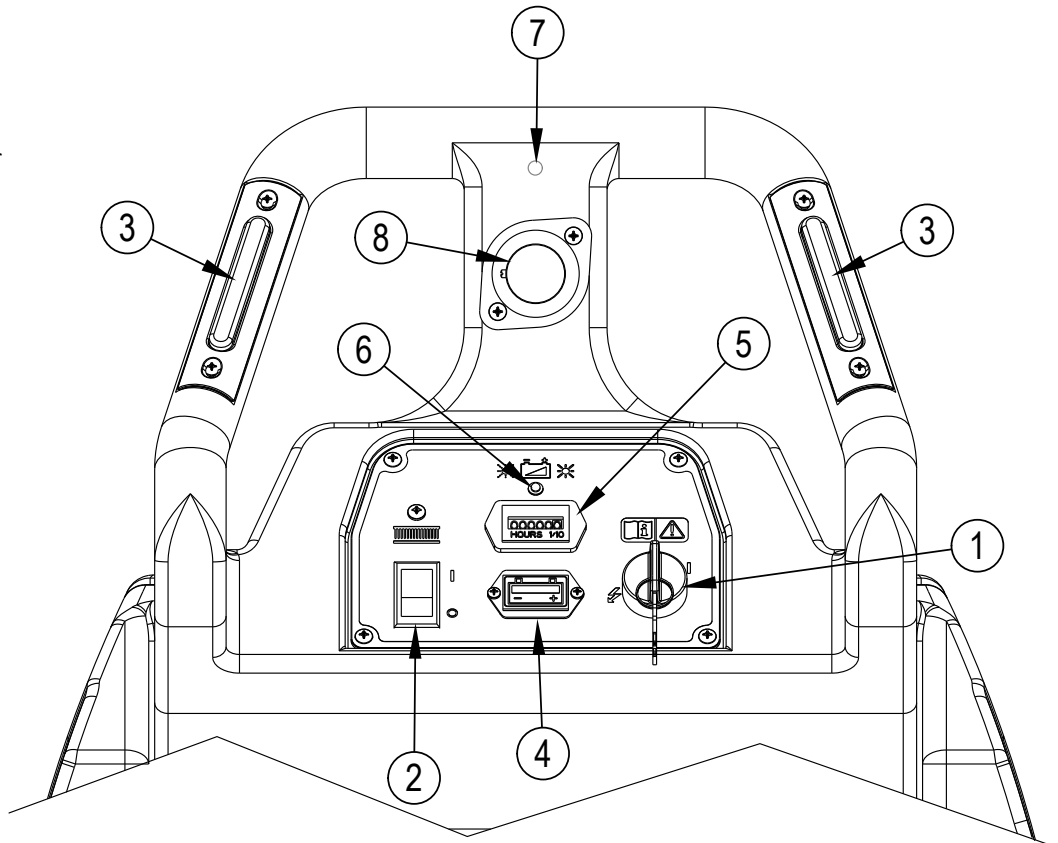
- 1 On / Off Key Switch
- 2 Pad Power Switches
- 3 Hour Meter
- 4 Battery Meter
- 5 Battery Charger Indicator



BU800 20B

KNOW YOUR MACHINE

- 1 On/Off Key Switch
- 2 Pad Power Switch
- 3 Pad / Traverse Switches
- 4 Battery Meter
- 5 Hour Meter
- 6 Battery Charger Indicator
- 7 Traverse Reverse
- 8 Traverse Speed Control



BU800 20BT

INTRODUCTION

This manual will help you get the most from your Advance floor machine. Read it thoroughly before operating the machine.

This product is intended for commercial use only.

PARTS AND SERVICE

Repairs, when required, should be performed by your Authorized Advance Service Center, who employs factory trained service personnel, and maintains an inventory of Advance original replacement parts and accessories.

MODIFICATIONS

Modifications and additions to the cleaning machine which affect capacity and safe operation shall not be performed by the customer or user without prior written approval from Nilfisk, Inc. Unapproved modifications will void the machine warranty and make the customer liable for any resulting accidents.

NAME PLATE

The Model Number and Serial Number of your machine are shown on the Nameplate on the bottom of the machine. This information is needed when ordering repair parts for the machine. Use the space below to note the Model Number and Serial Number of your machine for future reference.

MODEL NUMBER _____

SERIAL NUMBER _____

UNCRATE THE MACHINE

When the machine is delivered, carefully inspect the shipping carton and the machine for damage. If damage is evident, save the shipping carton so that it can be inspected. Contact the Advance Customer Service Department immediately to file a freight damage claim (phone number is provided on the back cover of this manual).

PREPARING THE MACHINE FOR USE

WARNING!

Use extreme caution when working with batteries. Sulfuric acid in batteries can cause severe injury if allowed to contact the skin or eyes. Explosive hydrogen gas is vented from inside the batteries through openings in the battery caps. This gas can be ignited by any arc, spark or flame.

WHEN SERVICING BATTERIES....

- Remove all jewelry
- Do not smoke
- Wear safety glasses
- Work in a well-ventilated area
- Do not allow tools to touch more than one battery terminal at a time.

CAUTION!

Electrical components in this machine can be severely damaged if the batteries are not installed and connected properly. Batteries should be installed by your local Advance dealer or by a qualified electrician.

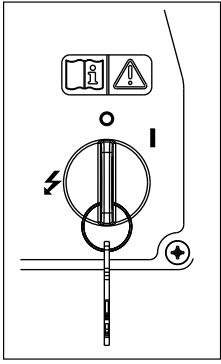
The BU800 20B and 20BT may be used with three 12 volt 200 amp hour batteries or three 12 volt 234 amp hour AGM batteries.

CAUTION!

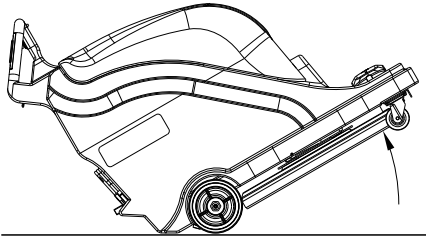
The battery charger must be reprogrammed when switching from lead acid to AGM batteries. See the Charger Manual for instructions.

C

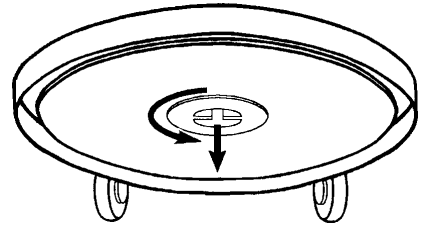
1



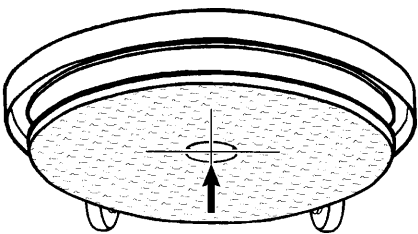
2



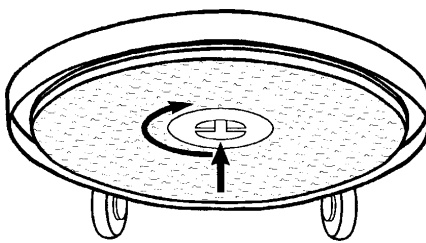
3



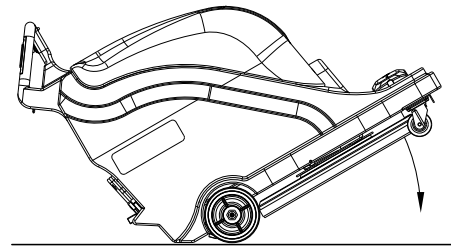
4



5



6

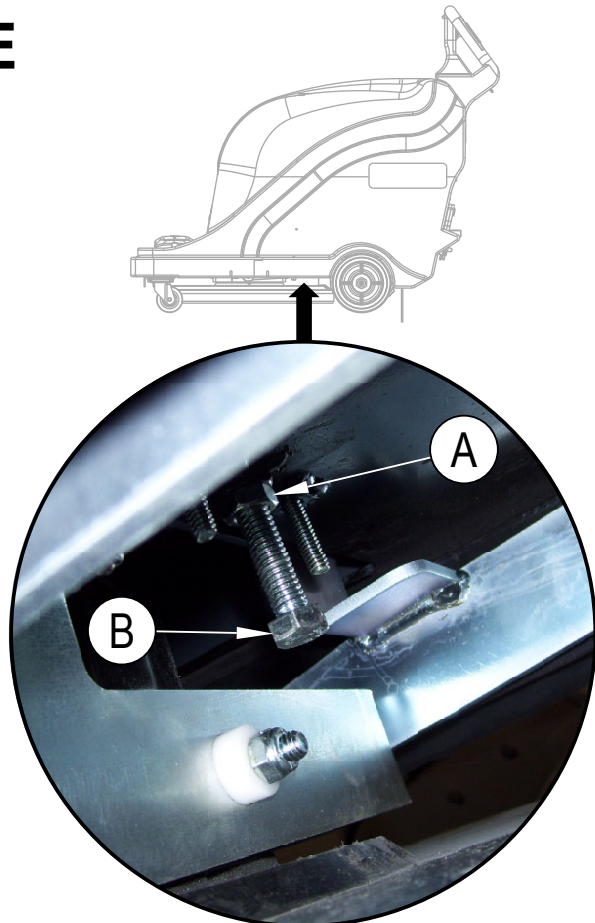


D

Remove Cover
Replace Dust Bag



E

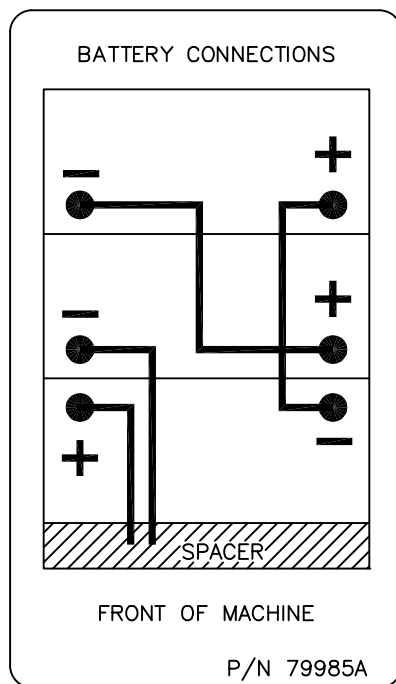


PREPARING THE MACHINE FOR USE

(B)-INSTALLING THE BATTERIES

- Carefully lift the batteries into the battery tray. Arrange as shown in Figure B.

B



- Make sure the key switch is in the OFF position.
- Install the battery cables as shown in figure B, with the terminals marked "P" on the positive battery posts and the terminals marked "N" on the negative battery posts. Position the cables so that the caps can be easily removed when it is necessary to add water to the batteries.
- Tighten the nut on each battery terminal just enough to keep the terminal from being turned on the battery post. Then tighten the nut one more full turn.
- Coat all the terminals and posts with grease, petroleum jelly or spray-on battery coating (available at most auto parts stores).
- Put on the black rubber "boots" over each of the terminals and use the plastic tie straps to hold them in place.
- Join the connector from the battery pack to the connector on the control panel.
- Reassemble machine.

NOTE: Charge the batteries before using the machine.

(C)-PAD INSTALLATION

Your local Advance distributor can provide the proper pads and floor finishes for use with this machine.

⚠ CAUTION!

Using the wrong kind of pad on this machine can damage the floor. The pad must be centered properly on the pad holder to prevent machine vibration.

For pad installation, follow the steps below (see steps 1 - 6 in Figure C):

- Turn the key switch off.
- Put the machine in the position shown, to access the pad retainer.
- Go to the front of the machine. While holding the pad retainer with one hand, rotate the pad and pad driver counter clockwise to loosen the pad retainer.
- Remove the old pad and install a new one, being careful to center it on the outside diameter of the pad driver. **NOTE: Vibration could occur if you center the hole in the pad to the opening for the pad retainer. Always use a high quality pad rated to operate at 2000 rpm.**
- Retighten the pad retainer as tight as possible.
- Raise the back of the machine to lower the pad housing by lifting as shown.

(D)-DUST BAG INSTALLATION

Your local Advance distributor can provide the proper pads and floor finishes for use with this machine.

⚠ IMPORTANT!

Install dust collector bag on top of control housing (see Figure D). The dust collection system will not operate properly if the collector bag is full or torn.

(E)-ADJUSTING PAD PRESSURE

The pad pressure is set at the factory for optimal burnishing with most pad and finish combinations. If unique pad or finish conditions require pad pressure adjustments, adjust by following the procedure below. **NOTE: Pad pressure adjustments should be performed by a qualified service technician.**

- Turn key switch off (O).
- From underneath burnisher, loosen jam nut (A).
- To decrease pad pressure, turn bolt (B) clockwise.
- To increase pad pressure, turn bolt (B) counterclockwise.
- Re-tighten jam nut (A).

MAINTENANCE

MAINTENANCE SCHEDULE

Maintenance Item	Daily	Monthly	Yearly
Charge Batteries	x		
Check/Replace Dust Bags	x		
Check/Replace Skirt	x		
Clean Pad	x		
Lubrication		x	
Check/Service Pad Motor Brushes		x	
Service Drive Motor Brushes			x

BATTERY MAINTENANCE

Charge the batteries each time the machine is used for 1 hour or longer, or whenever the Battery Meter reads in the red area.

To Charge the Batteries...

- 1 Remove cover.
- 2 Plug charger in.
- 3 Check the fluid level in all battery cells after charging the batteries. Add distilled water, if necessary, to bring the fluid level up to the bottom of the filler tubes.

CAUTION!

To avoid damage to floor surfaces, wipe water and acid from the top of the batteries after charging.

CAUTION!

Acid can spill onto the floor if the batteries are overfilled.

IMPORTANT

Motor damage resulting from failure to service carbon brushes is not covered under warranty. See the Limited Warranty statement.

TROUBLESHOOTING

MACHINE VIBRATION

- 1 Pad is not centered properly.
- 2 Defective pad. Replace.

SWIRL MARKS

- 1 Pad is too aggressive for the floor finish.
- 2 Pad is dirty, Check and replace.

REDUCED RUNNING TIME

- 1 Battery needs to be charged.
- 2 Batteries need water. Add just enough to cover the plates in each cell. Then charge the batteries and check the water level again.

SPECIFICATIONS

SPECIFICATIONS:

Model	BU800 20B	BU800 20BT	BU800 20B	BU800 20BT
	BU800 20BA	BU800 20BAT	BU800 20BA	BU800 20BAT
Model Number	56383510 56384002 (w/no batt) 56383506 (w/active vac)	56383509 56384001 (w/no batt) 56383505 (w/active vac)	56383512 56383508 (w/active vac)	56383511 56383513 (w/no batt) 56383507 (w/active vac)
Power Supply	36 volt 200AH	36 volt 200AH	36 volt 234AH AGM	36 volt 234AH AGM
Motor, Pad	2.5 hp (1.9 kW) 65 amp	2.5 hp (1.9 kW) 65 amp	2.5 hp (1.9 kW) 65 amp	2.5 hp (1.9 kW) 65 amp
Motor Traction		.5 hp PM / .37 kW		.5 hp PM / .37 kW
Drive System	Non-Traction	Direct Drive	Non-Traction	Direct Drive
Pad	20" (51cm)	20" (51cm)	20" (51cm)	20" (51cm)
Pad Speed	2000 rpm	2000 rpm	2000 rpm	2000 rpm
Pad Pressure	0-30 lbs.	0-30 lbs	0-30 lbs.	0-30 lbs
Speed, Forward	Non-Traction	0 - 240 ft/min.	Non-Traction	0 - 240 ft/min.
Speed, Reverse	Non-Traction	0 - 170 ft/min.	Non-Traction	0 - 170 ft/min.
Vibration	<2.5 m/s ²	<2.5 m/s ²	<2.5 m/s ²	<2.5 m/s ²
Sound Level (dbA)	68	68	68	68
Drive Wheel Charger	1.62"x8.00" (4cmx20cm) 36V, 25A, 85-265V/45-65Hz	1.62"x8.00" (4cmx20cm) 36V, 25A, 85-265V/45-65Hz	1.62"x8.00" (4cmx20cm) 36V, 25A, 85-265V/45-65Hz	1.62"x8.00" (4cmx20cm) 36V, 25A, 85-265V/45-65Hz
Length	50 inches (127cm)	50 inches (127cm)	50 inches (127cm)	50 inches (127cm)
Width	23 inches (58cm)	23 inches (58cm)	23 inches (58cm)	23 inches (58cm)
Height	41.25 inches (105cm)	41.25 inches (105cm)	41.25 inches (105cm)	41.25 inches (105cm)
Burnishing Swath	20 inch (51cm)	20 inch (51cm)	20 inch (51cm)	20 inch (51cm)
Polishing Rate	24,000 sq. ft./hr.	24,000 sq. ft./hr.	24,000 sq. ft./hr.	24,000 sq. ft./hr.
Weight (w/3 - 200AH)	551 lbs./ 250 kg	565 lbs./256 kg	564 lbs./ 256 kg	578 lbs./262 kg
Shipping Weight	597 lbs./271 kg	611 lbs./277 kg	610 lbs./277 kg	624 lbs./283 kg

INDICE

Instrucciones de seguridad.....	11
Conozca su máquina.....	12
Introducción.....	13
Piezas y servicio.....	13
Placa de identificación.....	13
Desempacar la máquina.....	13
Preparación de la máquina para su funcionamiento.....	13
Hacer el servicio de las baterías.....	13
Instalación de las baterías.....	15
Instalación de la almohadilla.....	15
Instalación de la bolsa de polvo.....	15
Ajustar la presión de la almohadilla.....	15
Mantenimiento.....	16
Programa de mantenimiento.....	16
Mantenimiento de las baterías.....	16
Resolución de problemas.....	16
Vibración de la máquina.....	16
Marcas de remolinos.....	16
Tiempo de ejecución reducido.....	16
Especificaciones.....	17
Sección II Listado de piezas.....	27

ADVERTENCIA:

Los Productos a la venta en este Manual contienen, o pueden contener, productos químicos reconocidos por algunos gobiernos (como el Estado de California, según lo indica en su Proposición 65, Ley de Advertencia Regulatoria) como causantes de cáncer, defectos de nacimiento u otros daños reproductivos. En algunas jurisdicciones (incluido el Estado de California), los compradores de estos Productos que los coloquen en servicio en un emplazamiento laboral o en un espacio de acceso público tienen la obligación regulatoria de realizar determinados avisos, advertencias o divulgaciones respecto de los productos químicos contenidos o posiblemente contenidos en los Productos utilizados en tal lugar. Es la responsabilidad del comprador conocer y cumplir con todas las leyes y reglamentaciones relacionadas con el uso de estos Productos en tales entornos. El Fabricante niega toda responsabilidad de informar a los compradores sobre requisitos específicos que pueden regir el uso de los Productos en tales entornos.

INSTRUCCIONES DE SEGURIDAD PARA EL OPERADOR

Esta máquina únicamente es apropiada para el uso comercial, por ejemplo, en hoteles, escuelas, hospitales, fábricas, negocios y oficinas y no para ser utilizada en la limpieza doméstica normal.

Al usar este artefacto eléctrico es necesario tomar precauciones básicas en todo momento, incluyendo:

¡ADVERTENCIA!

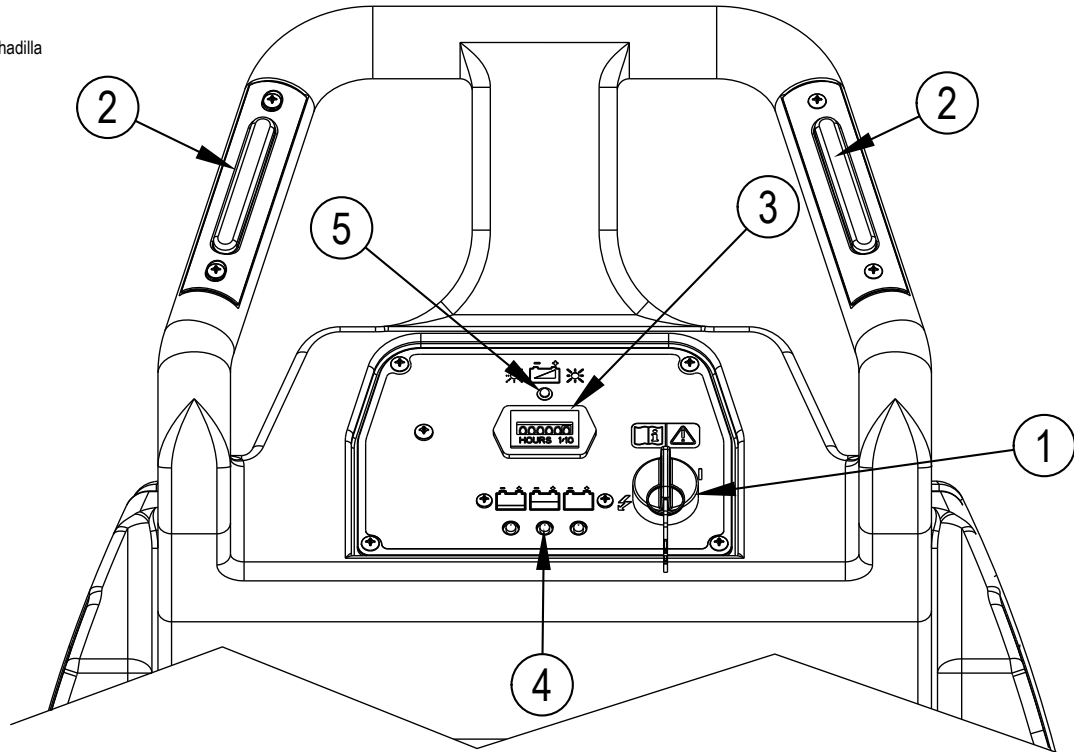
Antes de usar el artefacto, lea todas las instrucciones a fin de reducir el riesgo de incendio, descarga eléctrica, lesiones o daño a la propiedad.

- * Esta máquina no debe ser utilizada por personas (incluidos niños) con capacidades físicas, sensoriales o mentales reducidas, o con falta de experiencia y conocimientos.
- * Al circular sobre rampas o pendientes, evite las paradas bruscas. Evite las curvas muy cerradas. Circule lentamente al bajar rampas.
- * No opere la máquina antes de que esté completamente montada. Compruebe cuidadosamente el estado de la máquina antes de cada utilización.
- * Riesgo de explosión y de incendio. No use nunca la máquina con o cerca de combustibles, polvo de granos, disolventes, diluyentes u otros materiales inflamables.
- * Las baterías ácido/plomo generan gases que pueden originar una explosión. Procure que no haya ninguna llama ni chispa cerca de las baterías. No fume. Cargue las baterías sólo en un local perfectamente ventilado. Antes de desconectar el cargador de la máquina, compruebe que el enchufe del cargador CA está desconectada de la toma de red.
- * Método de eliminación de desechos: Eliminar como desechos peligrosos. Cumplir con todas las reglamentaciones ambientales nacionales, provinciales/estatales y locales con relación a los desechos de plomo y ácidos. Enviar las baterías a una fundición de plomo para su reciclaje de acuerdo con las reglamentaciones nacionales, provinciales/estatales y locales aplicables.
- * Cuando trabaja cerca de las baterías, siempre lleve gafas o ropas de protección. Quite su reloj y sus joyas. No introduzca ninguna herramienta ni otros objetos metálicos entre las bornas o sobre la tapa de las baterías.
- * Riesgo de electrocución si Ud. utilice un cargador cuyo cable de alimentación está dañado. No use nunca un cargador cuyo cable de alimentación está dañado.
- * La única posición correcta para el operador es la posición de pie, detrás de la máquina.
- * Esta máquina pesa. No intente transportarla o desplazarla sin la ayuda de otra persona. Se necesitan dos personas para desplazarla sobre una rampa de carga. Siempre desplace la máquina despacio. No gire la máquina sobre una rampa. No deje nunca la máquina parada sobre un plano inclinado. Si está manejando la máquina en una superficie con una pendiente superior a 2%, no la detenga, gire ni estacione.
- * Las máquinas pueden volcar y causar lesiones o daños si se las conduce por bordes de escalones o de muelles de carga. Detenga la máquina y déjela solamente en superficies uniformes. Cuando detenga la máquina coloque todos los interruptores en la posición "OFF" (apagado).
- * Las alteraciones o modificaciones no autorizadas por el fabricante invalidan cualquier garantía y responsabilidad y podrían ocasionar daños en la máquina o lesiones en el operador o cualquier otra persona que se encuentre en el lugar.
- * Sólo el personal cualificado y autorizado por Advance puede efectuar el mantenimiento y las reparaciones de nuestras máquinas. ¡ Se trata de su seguridad !
- * Procure que el sistema eléctrico sea siempre seco. Seque cuidadosamente la máquina después de cada utilización. Guarde la máquina en un local seco.
- * Es indispensable leer todas las instrucciones escritas en la máquina antes de la primera utilización. Compruebe que todos los adhesivos y todas las instrucciones estén colocados en los sitios previstos.
- * Use sólo productos de limpieza y ceras especialmente concebidos para máquinas. No use productos inflamables.
- * Durante la limpieza, la reparación o el mantenimiento de la máquina, durante el reemplazo de partes o durante el cambio de función, debe desconectarse la fuente de energía.
- * No use la máquina como taburete o escabel. No úsela como medio de transporte o mueble. Corre el peligro de causar lesiones o daños materiales
- * Se anulará la garantía de la máquina si se utiliza piezas que no son piezas originales Advance. Sólo use recambios Advance.
- * Observe el peso bruto del vehículo (GVW) de la máquina cuando cargue, maneje, eleve o sostenga la máquina.

GUARDE ESTAS INSTRUCCIONES

CONOZCA SU MÁQUINA

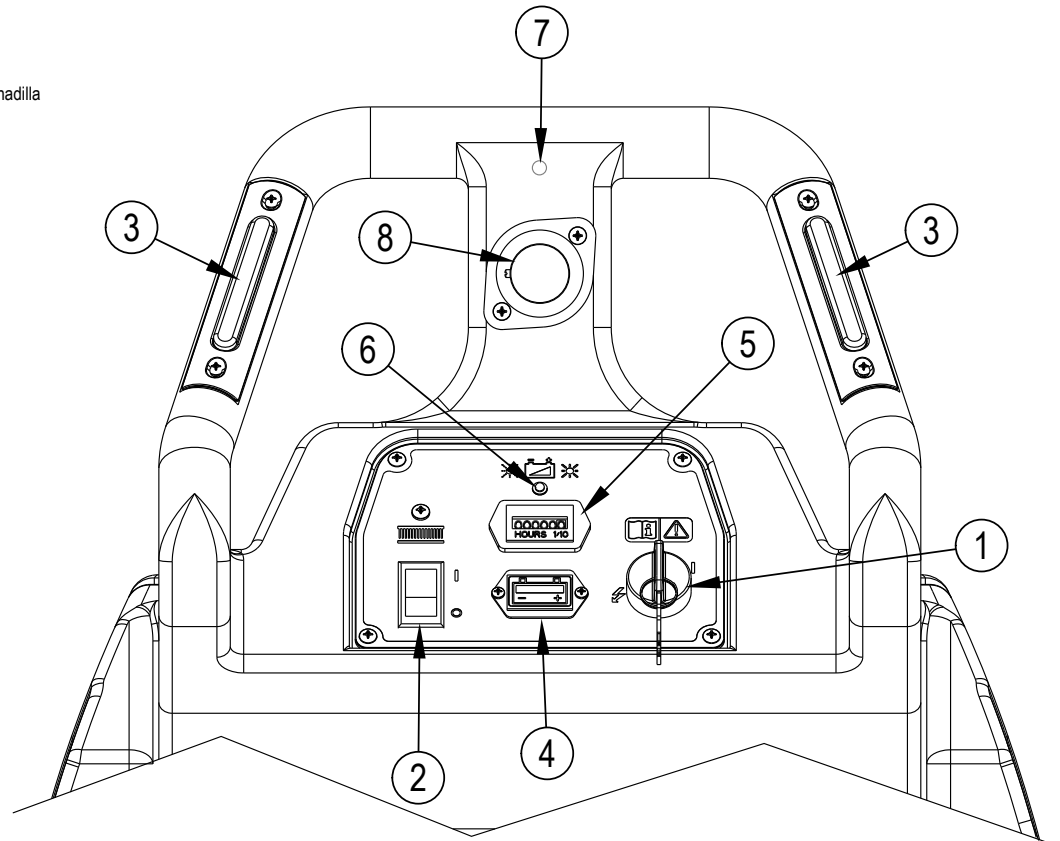
- 1 Interruptor de llave On/Off
(encendido/ apagado)
- 2 Interruptores de energía de la almohadilla
- 3 Cuentavueltas
- 4 Medidor de batería
- 5 Indicador del cargador de batería



BU800 20B

CONOZCA SU MÁQUINA

- 1 Interruptor de llave On/Off
(encendido/ apagado)
- 2 Interruptor de energía de la almohadilla
- 3 Interruptores de desplazamiento / almohadilla
- 4 Medidor de batería
- 5 Cuentavueltas
- 6 Indicador del cargador de
batería
- 7 Marcha atrás
- 8 Control de velocidad de
desplazamiento



BU800 20BT

INTRODUCTION

Este manual lo ayudará a aprovechar al máximo su máquina para pisos Advance. Léalo a fondo antes de poner la máquina en funcionamiento.

Este producto está diseñado para uso comercial solamente.

PIEZAS Y MANTENIMIENTO

Cuando sea necesario realizar reparaciones, las mismas deben ser efectuadas por el Centro de Servicios autorizado de Advance, el cual emplea personal de mantenimiento capacitado en fábrica y dispone de un inventario de piezas de recambio y accesorios originales Advance.

MODIFICACIONES

Las modificaciones y los agregados a la máquina de limpieza que afecten su capacidad y su funcionamiento seguro no serán realizados por el cliente o el usuario sin la autorización previa y por escrito de Nilfisk, Inc. Las modificaciones que no cuenten con la aprobación correspondiente anularán la garantía de la máquina y harán que el cliente sea responsable de cualquier accidente resultante.

PLACA DE IDENTIFICACIÓN

El número de modelo y el número de serie de su máquina aparecen en la placa de identificación ubicada en la parte inferior de la máquina. Es necesario contar con esta información para realizar pedidos de piezas de recambio para la máquina. Use el espacio provisto o a continuación para anotar el número de modelo y el número de serie de su máquina para referencia futura.

NÚMERO DE MODELO _____

NÚMERO DE SERIE _____

DESEMBALAJE DE LA MÁQUINA

Cuando reciba la máquina, inspeccione con cuidado la caja de embarque y la máquina, para verificar si hay algún daño. Si hay algún daño evidente, guarde la caja de embarque de modo que se la pueda inspeccionar. Comuníquese con el Departamento de Atención al Cliente de Advance inmediatamente para presentar un reclamo por daños en el flete (el número de teléfono aparece en la contratapa de este manual.)

PREPARACIÓN DE LA MÁQUINA PARA SU FUNCIONAMIENTO

¡ADVERTENCIA!

Tome suma precaución cuando trabaje con baterías. El ácido sulfúrico en las baterías puede causar graves lesiones si entra en contacto con la piel o los ojos. Las baterías emiten gas hidrógeno explosivo a través de las aberturas de las tapas. Este gas puede encenderse con cualquier arco eléctrico, chispa o llama.

CUANDO HAGA EL SERVICIO DE LAS BATERÍAS...

- Sáquese todas las joyas.
- No fume
- Use gafas de seguridad
- Trabaje en un área bien ventilada.
- No permita que las herramientas toquen más de un terminal de la batería a la vez.

¡PRECAUCIÓN!

Los componentes eléctricos de esta máquina pueden sufrir serios daños si las baterías no se instalan y conectan de manera adecuada. Las baterías deben ser instaladas por su representante local de Advance o por un electricista calificado.

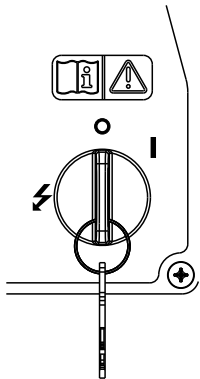
BU800 20B y 20BT pueden usarse con tres baterías de 12 voltios 200 amperios hora o tres baterías AGM de 12 voltios 234 amperios hora.

¡PRECAUCIÓN!

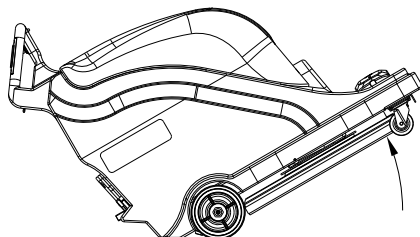
Es necesario reprogramar el cargador de baterías cuando se pasa de baterías de plomo a baterías AGM. Consulte el Manual del Cargador para ver las instrucciones correspondientes.

C

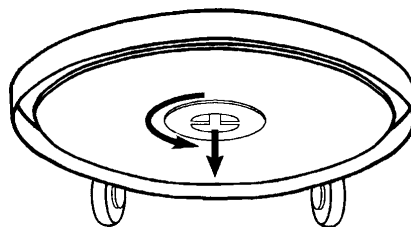
1



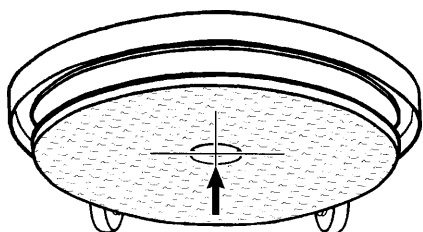
2



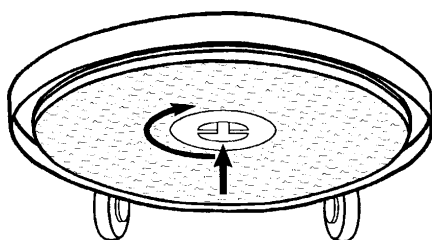
3



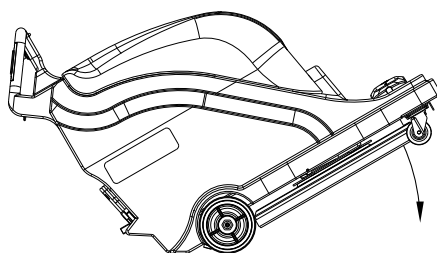
4



5

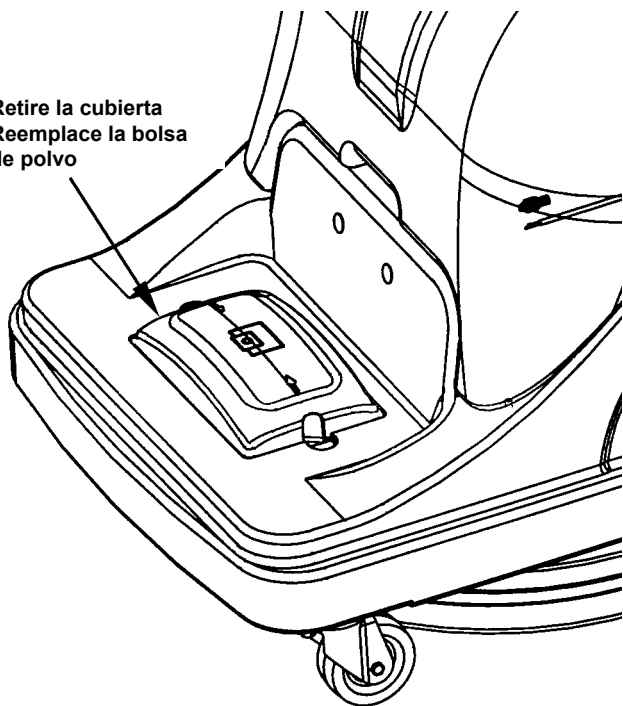


6

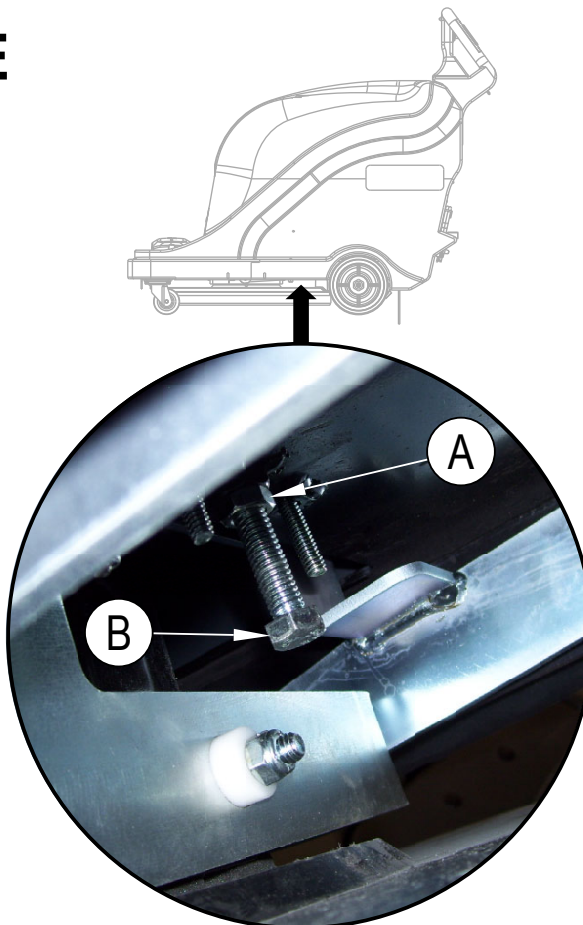


D

Retire la cubierta
Reemplace la bolsa
de polvo



E

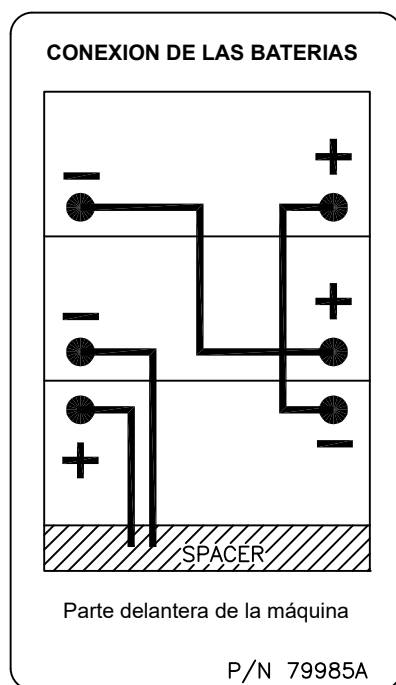


PREPARACIÓN DE LA MÁQUINA PARA SU FUNCIONAMIENTO

(B)-INSTALACIÓN DE LAS BATERÍAS

- 1 Coloque cuidadosamente las baterías en la bandeja de baterías. Ordénelas de la forma que se muestra en la figura B.

B



- 2 Asegúrese de que el interruptor de llave se encuentre en la posición "OFF" (O).
- 3 Instale los cables de la batería como se muestra en la figura B, con los terminales marcados con la letra "P" en los bornes positivos de la batería y los terminales marcados con la letra "N" en los bornes negativos. Coloque los cables de manera tal que se puedan quitar las tapas fácilmente cuando sea necesario agregar agua a las baterías.
- 4 Apriete la tuerca de cada terminal de la batería justo lo suficiente como para evitar que el terminal se vuelva sobre el borne de la batería. Luego apriete la tuerca una vuelta más.
- 5 Cubra todos los terminales y los bornes con grasa, vaselina o rocíe sobre el revestimiento de la batería (disponible en la mayoría de los negocios de repuestos).
- 6 Coloque las "botas" de goma negra sobre cada uno de los terminales y utilice las tiras de amarres plásticos para sostenerlas en su lugar.
- 7 Una el conector del paquete de baterías al conector del panel de control.
- 8 Vuelva a ensamblar la máquina.

NOTA : Cargue las baterías antes de utilizar la máquina.

(C)-INSTALACIÓN DE LA ALMOHADILLA

Su distribuidor local de Advance le puede proveer las almohadillas y los acabados de piso adecuados para utilizar con esta máquina.

⚠ ¡PRECAUCIÓN!

Si utiliza un tipo de almohadilla equivocada en esta máquina, puede dañar el piso. La almohadilla debe estar correctamente centrada en el soporte para evitar que la máquina vibre.

Para instalar la almohadilla, siga los pasos de abajo (ver pasos 1 - 6 en la figura C):

- 1 Gire el interruptor de llave hasta la posición "OFF" (apagado).
- 2 Coloque la máquina en la posición que se muestra (2) para tener acceso al retenedor de almohadilla.
- 3 Póngase delante de la máquina. Manteniendo con una mano la sujeción del disco, gire el disco y el portadisco en el sentido contrario de las agujas del reloj para aflojar la sujeción.
- 4 Extraiga el disco usado e instale uno nuevo, teniendo cuidado de centrarlo sobre el diámetro exterior del motor del disco. **NOTA: Podría ocurrir vibración si centra el orificio del disco en la abertura del retén del disco. Siempre utilice un disco de alta calidad adecuado para operar a 2000 rpm.**
- 5 Vuelva a apretar la sujeción al máximo.
- 6 Levante la parte trasera de la máquina para bajar el alojamiento del disco, tirando de las empuñaduras hacia arriba como indicado en la figura C (6).

(D)-INSTALACIÓN DE LA BOLSA DE POLVO

⚠ IMPORTANTE!

Instale la bolsa colector de polvo encima del alojamiento del control (figura D). El sistema de recolección de polvo no funcionará correctamente si la bolsa colector está llena o rota.

(E)-AJUSTE DE LA PRESIÓN DE LA ALMOHADILLA

La presión de la almohadilla se configura de fábrica para un bruñido óptimo con la mayoría de las combinaciones de almohadilla y acabado. Si existieran condiciones de acabado o de almohadilla únicas que requirieran ajustes en la presión de la almohadilla, realice los ajustes de acuerdo con el siguiente procedimiento. **NOTA:** Un técnico calificado debe ser quien realice los ajustes de presión de la almohadilla.

- 1 Gire el interruptor de llave hasta la posición "O" (apagado).
- 2 Desde abajo de la bruñidora, afloje la contratuerca (A).
- 3 Para disminuir la presión de la almohadilla, gire el perno (B) en el sentido de las agujas del reloj.
- 4 Para aumentar la presión de la almohadilla, gire el perno (B) en sentido contrario a las agujas del reloj.
- 5 Vuelva a ajustar la contratuerca (A).

MANTENIMIENTO

PROGRAMA DE MANTENIMIENTO

Elemento de mantenimiento	Diariamente	Mensualmente	Anualmente
Cargar las baterías	x		
Controlar/ reemplazar las bolsas de polvo	x		
Controlar/ reemplazar el faldón	x		
Limpiar la almohadilla	x		
Lubricación		x	
Controlar/ Hacer el servicio de los cepillos del motor de la almohadilla		x	
Hacer el servicio de los cepillos del motor de accionamiento			x

MANTENIMIENTO DE LA BATERÍA

Cargue las baterías cada vez que utilice la máquina durante una hora o más, o siempre que el medidor de baterías indique el área roja.

Para cargar las baterías...

- 1 Retirar la cubierta.
- 2 Enchufar el cargador.
- 3 Controlar el nivel de líquido de todos los elementos de las baterías después de cargarlas. Si es necesario, agregue agua destilada para llevar el nivel de líquido hasta la parte inferior de los tubos de llenado.

¡PRECAUCIÓN!

Para evitar que se dañen las superficies de los pisos, limpie el agua y el ácido de la parte de arriba de las baterías después de cargarlas.

¡PRECAUCIÓN!

El ácido puede derramarse en el piso si las baterías están sobrecargadas.

IMPORTANTE

La garantía no cubre los daños del motor que resulten de una falla al hacer el servicio de las escobillas de carbono. Consulte la declaración de Garantía Limitada.

RESOLUCIÓN DE PROBLEMAS

VIABRACIÓN DE LA MÁQUINA

- 1 La almohadilla no está centrada de manera adecuada.
- 2 Almohadilla defectuosa. Reemplácela

MARCAS DE REMOLINOS

- 1 La almohadilla es demasiado agresiva para el acabado del piso.
- 2 La almohadilla está sucia. Contrólela y reemplácela.

TIEMPO DE EJECUCIÓN REDUCIDO

- 1 Es necesario cargar la batería
- 2 Las baterías necesitan agua. Agregue justo el agua suficiente para cubrir las placas de cada elemento. Luego cargue las baterías y controle el nivel de agua nuevamente.

CARACTERÍSTICAS TÉCNICAS

Modelo	BU800 20B BU800 20BA	BU800 20BT BU800 20BAT
Número modelo	56383510 56383506 (con Vacío Activo)	56383509 56384001 (con ninguna batería) 56383505 (con Vacío Activo)
Alimentación	36V 200 Ah	36V 200 Ah
Motor del disco	1,9 kW, 65 Amp	1,9 kW, 65 Amp
Tracción del motor		.5 potencia PM / .37 kW
Sistema conductor	Sin-tracción	Accionamiento directo
Disco	51 cm	51 cm
Velocidad de rotación del disco	2.000 r/min.	2.000 r/min.
Presión del disco	0 - 13,6 kg	0 - 13,6 kg
Velocidad marcha adelante	(Sin-tracción)	0 - 75 m/min.
Velocidad marcha atrás	(Sin-tracción)	0 - 52 m/min.
Vibración	<2,5 m/s ²	<2,5 m/s ²
Nivel acústico (dba)	68	68
Rueda motriz	4 cm x 20 cm	4 cm x 20 cm
Cargador	36V, 25A, 85-265V/45-65Hz	36V, 25A, 85-265V/45-65Hz
Longitud	127 cm	127 cm
Anchura	58 cm	58 cm
Altura	105 cm	105 cm
Anchura faja pulida	51 cm	51 cm
Rendimiento	2.230 m ² /h	2.230 m ² /h
Peso (con 3-200Ah)	250 kg	256 kg
Peso entregado	271 kg	277 kg

Modelo	BU800 20B BU800 20BA	BU800 20BT BU800 20BAT
Número modelo	56383512 56384002 (con ninguna batería) 56383508 (con Vacío Activo)	56383511 56383513 (con ninguna batería) 56383507 (con Vacío Activo)
Alimentación	36V 234 Ah (AGM)	36V 234 Ah (AGM)
Motor del disco	1,9 kW, 65 Amp	1,9 kW, 65 Amp
Tracción del motor		.5 potencia PM / .37 kW
Sistema conductor	Sin-tracción	Accionamiento directo
Disco	51 cm	51 cm
Velocidad de rotación del disco	2.000 r/min.	2.000 r/min.
Presión del disco	0 - 13,6 kg	0 - 13,6 kg
Velocidad marcha adelante	(Sin-tracción)	0 - 75 m/min.
Velocidad marcha atrás	(Sin-tracción)	0 - 52 m/min.
Vibración	<2,5 m/s ²	<2,5 m/s ²
Nivel acústico (dba)	68	68
Rueda motriz	4 cm x 20 cm	4 cm x 20 cm
Cargador	36V, 25A, 85-265V/45-65Hz	36V, 25A, 85-265V/45-65Hz
Longitud	127 cm	127 cm
Anchura	58 cm	58 cm
Altura	105 cm	105 cm
Anchura faja pulida	51 cm	51 cm
Rendimiento	2.230 m ² /h	2.230 m ² /h
Peso (con 3-200Ah)	256 kg	262 kg
Peso entregado	277 kg	283 kg

INDEX

Consignes de sécurité	19
A la découverte de votre machine	20
Introduction.....	21
Liste des pièces et entretien.....	21
Plaque signalétique	21
Déballer la machine.....	21
Préparer la machine en vue de son utilisation.....	21
Entretien des batteries	21
Installation des batteries.....	23
Installation du disque.....	23
Installation du sac à poussières	23
Réglage de la pression du disque	23
Maintenance	24
Programme de maintenance	24
Maintenance des batteries	24
Dépannage	24
Vibrations de la machine	24
Marques circulaires	24
Temps de fonctionnement réduit	24
Le système d'assistance du disque de la machine ne se propulse pas lui-même	24
Spécifications	25
Section II Liste des pièces.....	27



AVERTISSEMENT !

Les Produits vendus avec le présent manuel contiennent ou peuvent contenir des produits chimiques reconnus par certains gouvernements (comme l'État de Californie, par le biais de la proposition de loi d'avertissement réglementaire 65) comme provoquant des cancers, des anomalies congénitales et autres dangers pour la reproduction. Dans certains endroits (comme l'État de Californie), les acheteurs de ces Produits, qui les utilisent sur un lieu de travail ou dans un espace public, ont l'obligation d'apposer certains avis, avertissements ou informations concernant les produits chimiques qui sont ou peuvent être contenus dans les Produits dans ces lieux ou aux alentours de ces lieux de travail. Il incombe à l'acheteur de connaître les dispositions de, et de respecter, toutes les lois et réglementations ayant trait à l'utilisation de ces Produits au sein de tels environnements. Le Fabricant rejette toute responsabilité d'informer les acheteurs concernant des exigences spécifiques qui peuvent s'appliquer à l'utilisation des Produits dans de tels environnements.

INSTRUCTIONS POUR LA SECURITE DE L'OPÉRATEUR

Cette machine est conçue uniquement pour une utilisation commerciale comme dans des hôtels, des écoles, des hôpitaux, des usines, des magasins et des bureaux, tout ce qui ne concerne pas les travaux ménagers.

Lors de l'utilisation de cette machine, il convient de toujours respecter des précautions élémentaires, dont les suivantes :

AVERTISSEMENT !

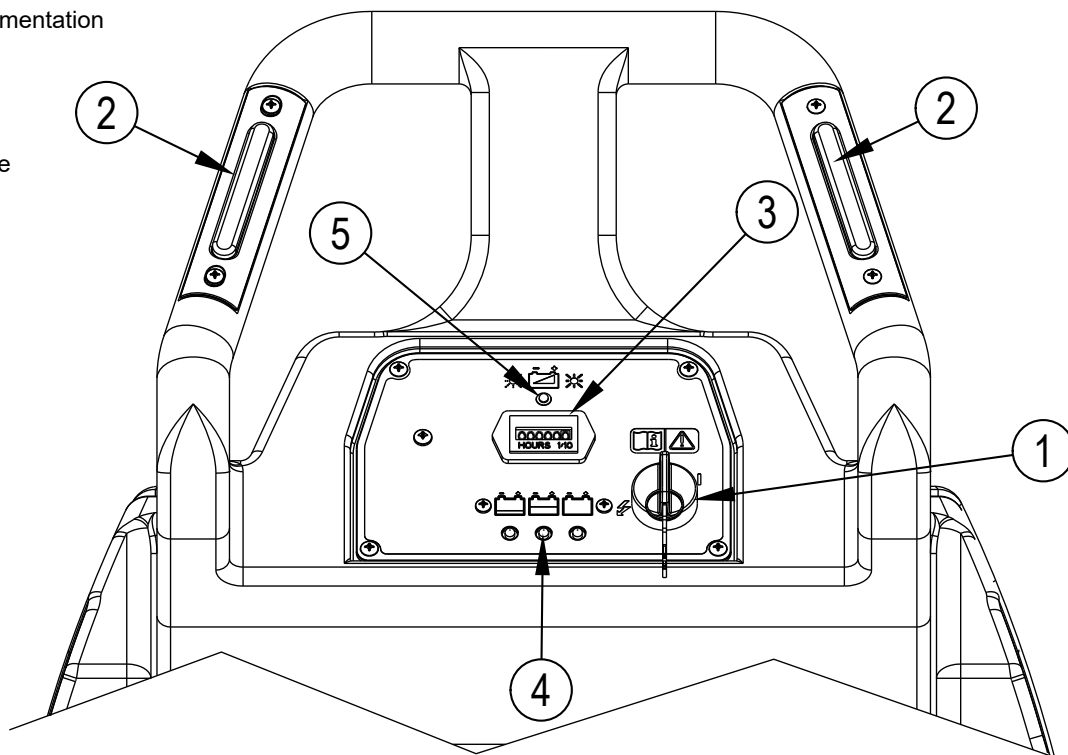
Pour réduire le risque d'incendie, de choc électrique, de blessure ou de dégâts de biens, lisez toutes les instructions avant d'utiliser cette machine.

- * L'utilisation de cette machine n'est pas destinée aux personnes (notamment les enfants) qui souffrent de capacités physiques, sensorielles ou mentales diminuées, ou d'un manque d'expérience et de connaissances.
- * Évitez les arrêts soudains lorsque la machine se trouve sur des rampes ou des pentes. Évitez les virages serrés. Adoptez une vitesse réduite lorsque la machine est en descente.
- * Ne mettez pas la machine en service avant qu'elle ne soit complètement montée. Vérifiez soigneusement l'état de la machine avant chaque utilisation.
- * Risque d'explosion et d'incendie. N'utilisez jamais la machine avec ou près de combustibles, de grains de poussière, de solvants, de diluants ou d'autres matériaux inflammables.
- * Les batteries acide-plomb dégagent des gaz qui peuvent provoquer une explosion. Veillez à ce qu'il n'y ait ni étincelle ni flamme à proximité des batteries. NE FUMEZ PAS. Procédez à la charge des batteries dans un endroit bien ventilé. Avant de déconnecter le chargeur de la machine, vérifiez que la fiche du chargeur CA est bien débranchée de la prise réseau.
- * Mise au rebut: Considérer le produit comme un déchet dangereux. Suivre tous les règlements nationaux, provinciaux et locaux sur l'environnement concernant les déchets de plomb et les acides. Envoyer les batteries à une fonderie traitant le plomb en vue de récupération selon les règlements nationaux, provinciaux et locaux sur la valorisation des déchets.
- * Quand vous travaillez à proximité des batteries, portez toujours des lunettes ou des vêtements de protection. Enlevez montres et bijoux. N'introduisez pas d'outils ou autres objets métalliques entre les bornes ou sur le couvercle des batteries.
- * Risque d'électrocution si vous utilisez un chargeur dont le câble d'alimentation est endommagé. N'utilisez jamais un chargeur dont le câble d'alimentation est endommagé.
- * La seule position correcte pour l'opérateur est debout, derrière la machine. Toute autre position de conduite risque de provoquer des blessures ou des dégâts.
- * Cette machine est lourde. Faites-vous aider avant d'essayer de la transporter ou de la déplacer. Faites appel à deux personnes solides pour la déplacer le long d'une rampe ou d'un plan incliné. Procédez toujours en douceur. Ne retournez pas la machine sur une rampe. Lors d'un transfert, ne vous arrêtez pas et ne laissez pas la machine toute seule sur une rampe ou un plan incliné. En cas d'utilisation de la machine sur une pente de degré supérieur à 2%, ne pas s'arrêter, tourner ou stationner.
- * La machine peut basculer si elle est en porte-à-faux sur un escalier ou une rampe de chargement et provoquer des blessures ou des dégâts matériels. N'abandonnez la machine que si vous l'avez arrêtée sur une surface plane et si vous avez placé l'interrupteur principal à clé sur "O".
- * Les modifications et changements qui n'ont pas été expressément autorisés par le fabricant annulent toute garantie et peuvent endommager la machine ou blesser l'opérateur ou d'autres personnes se trouvant à proximité.
- * Seul un personnel qualifié a le droit d'effectuer les réparations et l'entretien de nos machines. Il y va de votre sécurité!
- * Veillez à ce qu'il soit toujours bien sec. Essuyez la machine après utilisation. Entrez la machine à l'abri de l'humidité.
- * Il est indispensable de lire toutes les indications figurant sur la machine avant de procéder à la mise en service. Vérifier que tous les adhésifs et toutes les instructions sont placés aux endroits corrects.
- * Seuls des nettoyeurs et cires du commerce spéciaux pour machines peuvent être utilisés. Ne pas utiliser de produits inflammables.
- * Lors du nettoyage, de la réparation ou de l'entretien des machines, du remplacement de pièce ou de changement de fonction, le commutateur devrait être en position d'arrêt.
- * Ne pas utiliser cette machine comme tabouret ou escabeau. Ne pas l'utiliser comme moyen de transport ou comme meuble. Risque de blessures ou de dégâts.
- * La garantie sera annulée si d'autres pièces que les pièces d'origine Advance sont montées sur la machine.
- * Respectez le poids brut du véhicule (PBV) de la machine quand vous chargez, conduisez, levez ou supportez la machine.

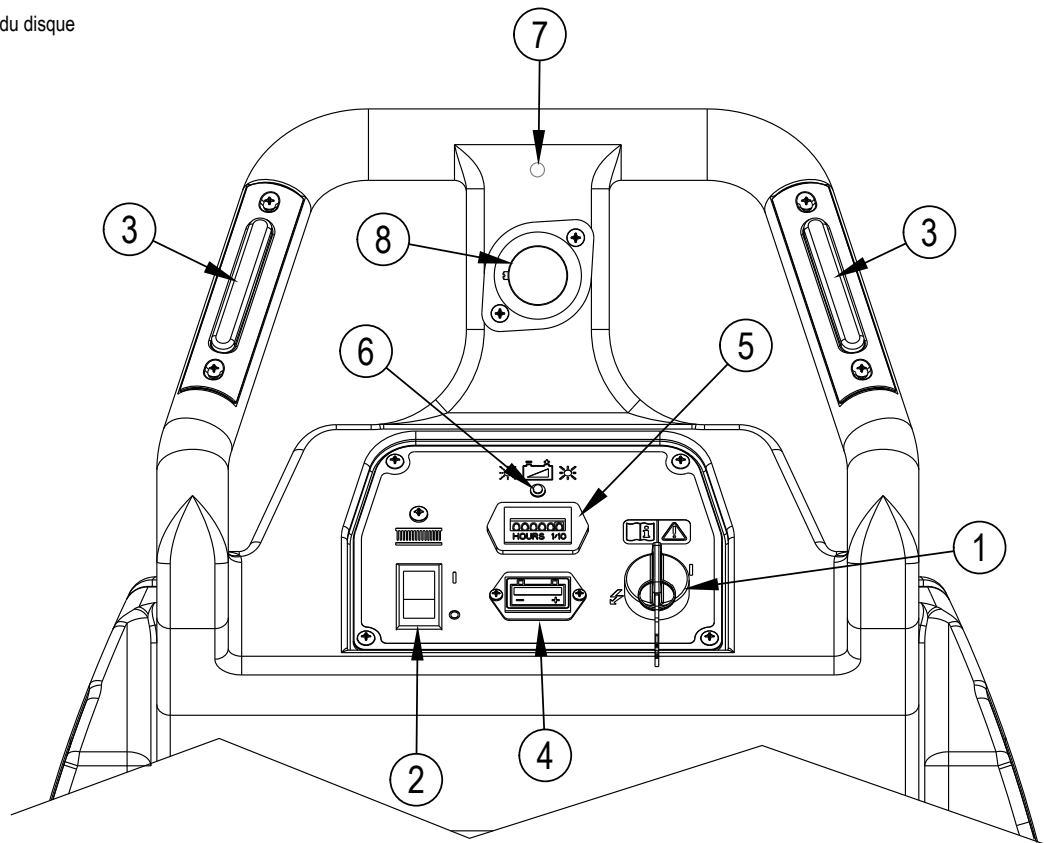
CONSERVEZ CES CONSIGNES

A LA DECOUVERTE DE VOTRE MACHINE

- 1 Commutateur On / Off
- 2 Commutateurs d'alimentation du disque
- 3 Compteur d'heure
- 4 Cadran de batterie
- 5 Indicateur de charge de la batterie

**BU800 20B****A LA DECOUVERTE DE VOTRE MACHINE**

- 1 Commutateur On / Off
- 2 Commutateur d'alimentation du disque
- 3 Commutateurs de disque/ déplacement
- 4 Cadran de batterie
- 5 Compteur d'heure
- 6 Indicateur de charge de la batterie
- 7 Marche arrière
- 8 Commande de vitesse del déplacement

**BU800 20BT**

INTRODUCTION

Ce manuel vous permettra de tirer le maximum de profit de votre machine Advance de nettoyage de sols. Lisez-le attentivement avant d'utiliser la machine.

Ce produit est conçu pour un usage commercial uniquement.

PIÈCES ET ENTRETIEN

Les réparations, lorsqu'elles sont requises, devront être réalisées par votre centre d'entretien agréé Advance qui emploie un personnel d'entretien formé en usine, et stocke un inventaire de pièces de remplacement et d'accessoires originaux Advance.

ALTÉRATIONS

Les altérations et ajouts d'éléments à la machine de lavage, qui affectent ses capacités et son fonctionnement sécurisé, ne doivent pas être réalisés sans le consentement préalable et écrit de Nilfisk, Inc. Toute altération non approuvée annulera la garantie de la machine. En outre, le client sera entièrement responsable des accidents associés.

PLAQUE SIGNALÉTIQUE

Le numéro du modèle et numéro de série de votre machine sont indiqués sur la plaque signalétique audessous de la machine. Ces informations sont nécessaires lorsque vous commandez des pièces de remplacement pour la machine. Utilisez l'espace ci-dessous pour noter le numéro du modèle et numéro de série de votre machine pour consultation ultérieure.

NUMÉRO DU MODÈLE _____

NUMÉRO DE SÉRIE _____

DÉBALLER LA MACHINE

Lorsque la machine vous est livrée, contrôlez minutieusement que la boîte d'emballage et la machine ne présentent aucun dommage. Si elles sont endommagées, conservez la boîte d'emballage afin qu'elle puisse être inspectée. Contactez immédiatement le service d'entretien Advance pour déposer une demande de remboursement des dégâts de transport (le numéro de téléphone est indiqué au dos de ce manuel).

PRÉPARER LA MACHINE EN VUE DE SON UTILISATION

AVERTISSEMENT !

Soyez très prudent lorsque vous manipulez les batteries. L'acide sulfurique contenu dans les batteries peut engendrer des blessures graves s'il entre en contact avec la peau ou les yeux. De l'hydrogène explosif sort de l'intérieur des batteries par les orifices ménagés dans les bouchons de batterie. Ce gaz peut être allumé par un arc, une étincelle ou une flamme.

LORS DE L'ENTRETIEN DES BATTERIES....

- Retirez tous vos bijoux
- Ne fumez pas
- Portez des lunettes de protection
- Travaillez dans un espace bien aéré
- Ne laissez pas des outils entrer en contact avec les deux bornes de la batterie en même temps.

ATTENTION !

Les composants électriques de cette machine peuvent être gravement endommagés si les batteries ne sont pas installées et branchées correctement. Les batteries doivent être installées par votre revendeur Advance local ou par un électricien qualifié.

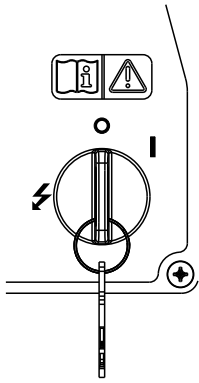
Les modèles BU800 20B et 20BT peuvent être utilisés avec trois batteries de 12 volt 200 amp ou trois batteries de 12 volt 234 amp AGM.

ATTENTION !

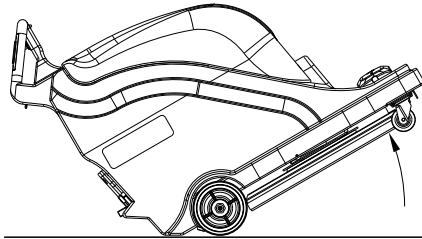
Le chargeur de batterie doit être reprogrammé lors d'un changement des batteries plomb-acide pour des batteries AGM. Se référer au Manuel du chargeur pour les consignes.

C

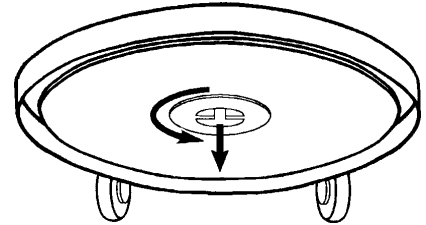
1



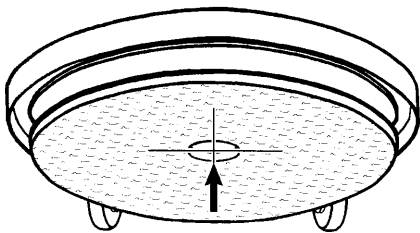
2



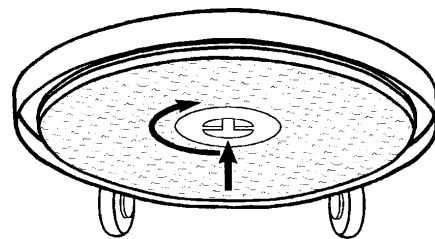
3



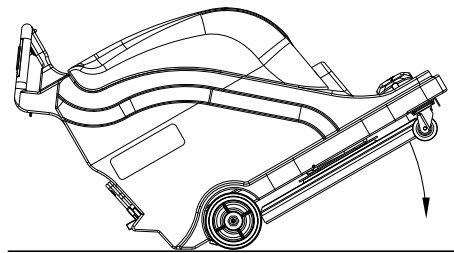
4



5

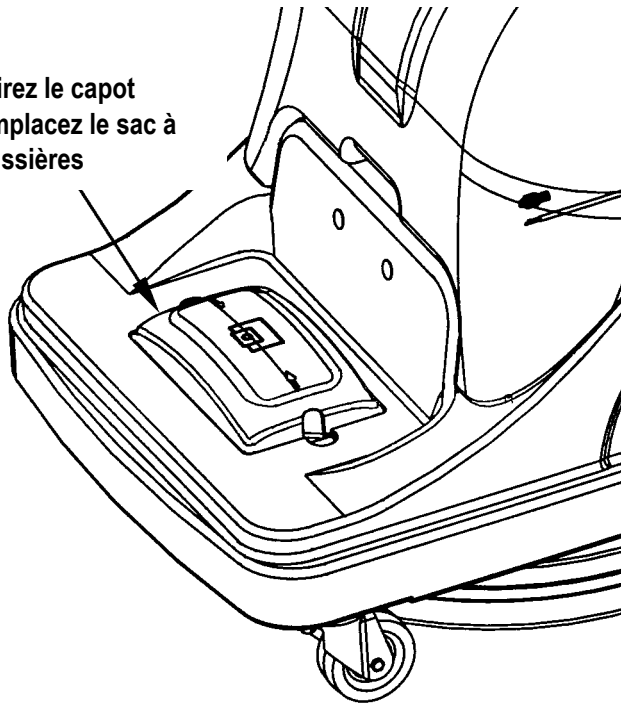


6

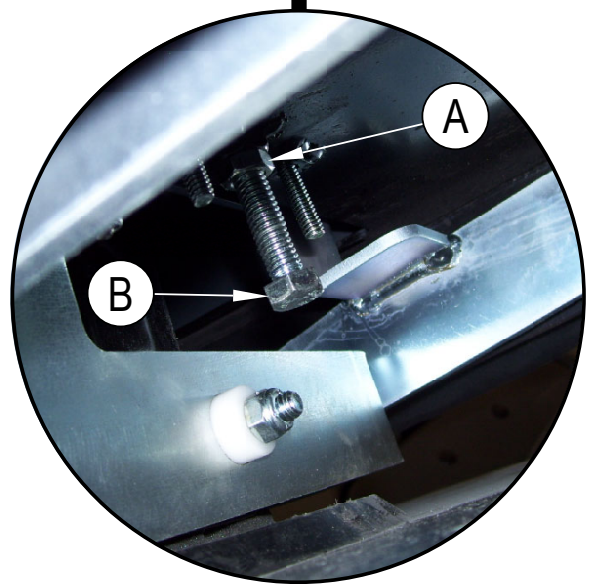
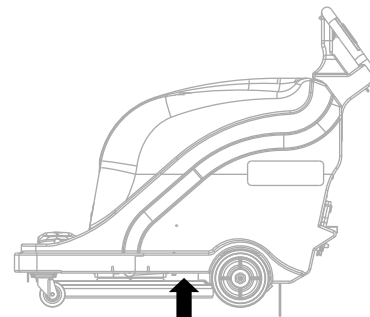


D

Retirez le capot
Remplacez le sac à
poussières



E

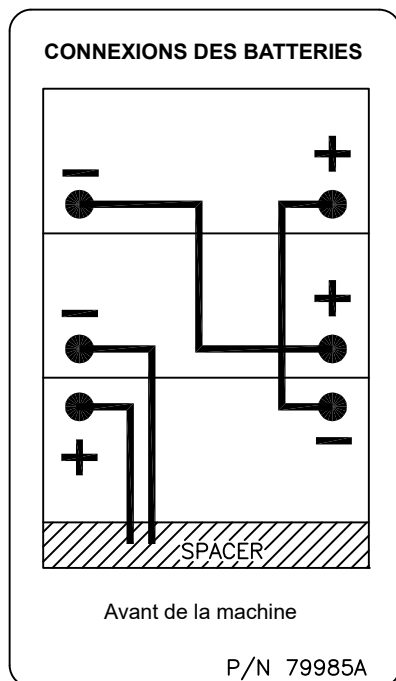


PREPARER LA MACHINE EN VUE DE SON UTILISATION

(B)-INSTALLATION DES BATTERIES

- 1 Placez les batteries avec précaution dans le compartiment des batteries. Disposez-le comme illustré à la figure B.

B



- 2 Assurez-vous que le commutateur se trouve en position OFF (O).
- 3 Installez les câbles de batterie comme illustré à la figure B, les bornes marquées "P" sur les bornes positives de la batterie et les bornes marquées "N" sur les bornes négatives de la batterie. Placez les câbles de manière à pouvoir retirer facilement les caches lorsqu'il faut ajouter de l'eau aux batteries.
- 4 Serrez la cosse sur chaque borne de la batterie juste assez pour éviter que la borne ne se désolidarise de la borne de la batterie. Tournez ensuite la cosse d'un tour complet.
- 5 Appliquez sur toutes les bornes et les cosses de la graisse, de la gelée ou un aérosol à base de pétrole (disponibles dans tous les magasins de vente de pièces pour automobile).
- 6 Placez le capuchon en caoutchouc noir sur chacune des bornes et utilisez de l'adhésif pour le maintenir en place.
- 7 Reliez le connecteur de l'ensemble batterie au connecteur sur le tableau de commande.
- 8 Remontez la machine.

REMARQUE : Chargez les batteries avant d'utiliser la machine.

(C)- INSTALLATION DU DISQUE

Votre distributeur Advance local peut vous fournir les disques et les produits de finition de sol adaptés à cette machine.

⚠ ATTENTION !

Si vous utilisez un type de disque incorrect sur cette machine, vous risquez d'endommager le sol. Le disque doit être correctement centré sur le support de disque pour éviter que la machine ne vibre.

Pour installer le disque, suivez les étapes ci-dessous (voir étapes 1 - 6 dans la figure C):

- 1 Placez le commutateur sur off.
- 2 Placez la machine dans la position illustrée (2) pour accéder au dispositif de retenue du disque.
- 3 Allez à l'avant de la machine. Tout en maintenant d'une main la fixation du disque, faites tourner le disque et le porte-disque dans le sens anti-horlogique pour desserrer la fixation.
- 4 Retirez l'ancien disque et installez un disque neuf en prenant soin de le centrer sur le diamètre externe du porte-disque. **REMARQUE: Des vibrations peuvent se produire si vous centrez l'orifice du disque avec l'ouverture de la fixation du disque. Utilisez toujours un disque de haute qualité prévu pour une vitesse de 2000 tr./min.**
- 5 Resserrez la fixation au maximum.
- 6 Leve la parte trasera de la máquina para bajar el alojamiento del disco, tirando de las empuñaduras hacia arriba como indicado en la figura C (6).

(D)-INSTALLATION DU SAC À POUSSIÈRES

⚠ IMPORTANT!

Installez le sac à poussières au sommet du logement de commande. Le système de collecte de la poussière ne fonctionnera pas correctement si le sac à poussières est plein ou déchiré.

(E)-RÉGLAGE DE LA PRESSIION DU DISQUE

La pression du disque est définie en usine pour un polissage optimal avec les combinaisons de disque et de finition les plus courantes. Si une combinaison de disque et de finition nécessite le réglage de la pression du disque, exécutez ce réglage en procédant comme suit.

REMARQUE : Le réglage de la pression du disque doit être effectué par un technicien de maintenance qualifié. (voir figure E):

- 1 Placez le commutateur sur off "O".
- 2 En dessous de la polisseuse, desserrez le contre-écrou (A).
- 3 Pour diminuer la pression du disque, tournez le boulon (B) dans le sens des aiguilles d'une montre.
- 4 Pour augmenter la pression du disque, tournez le boulon (B) dans le sens inverse des aiguilles d'une montre.
- 5 Resserrez le contre-écrou (A).

PROGRAMME DE MAINTENANCE

Type de maintenance	Tous les jours	Tous les mois	Tous les ans
Charger les batteries	x		
Vérifier/remplacer les sacs à poussières	x		
Vérifier/remplacer la jupe	x		
Nettoyer le disque	x		
Lubrification		x	
Vérifier/entretenir les brosses du moteur de disque		x	
Entretenir les brosses du moteur d'entraînement			x

MAINTENANCE DES BATTERIES

Chargez les batteries à chaque fois que la machine est utilisée pendant une heure ou plus, ou à chaque fois que l'indicateur de batterie se trouve dans la zone rouge.

Pour charger les batteries...

- 1 Retirez le capot.
- 2 Branchez le chargeur.
- 3 Vérifiez le niveau d'eau dans toutes les cellules de la batterie après l'avoir chargée. Le cas échéant, ajoutez de l'eau distillée, pour que le niveau d'eau dépasse le haut des tubes de remplissage.

ATTENTION !

Pour éviter d'endommager les surfaces du sol, essuyez l'eau et l'acide de la partie supérieure des batteries après le chargement.

ATTENTION !

De l'acide peut être projeté sur le sol si les batteries sont trop remplies.

IMPORTANT

Si le moteur est endommagé car vous avez négligé d'entretenir les brosses en carbone, la garantie ne fonctionne pas. Consultez le certificat de garantie limitée.

DIAGNOSTIC DE PANNES

VIBRATIONS DE LA MACHINE

- 1 Le disque n'est pas centré correctement.
- 2 Defective pad. Replace.

MARQUES CIRCULAIRES

- 1 Le disque est trop agressif par rapport à la surface du sol.
- 2 Le disque est sale. Vérifiez et remplacez le.

TEMPS DE FONCTIONNEMENT RÉDUIT

- 1 Les batteries doivent être chargées.
- 2 Les batteries ont besoin d'eau. Ajoutez suffisamment d'eau pour couvrir les plaques dans chaque cellule. Ensuite, chargez les batteries, puis vérifiez à nouveau le niveau d'eau.

CARACTERISTIQUES TECHNIQUES

Modèle	BU800 20B BU800 20BA	BU800 20BT BU800 20BAT
Nombre modèle	56383510 56383506 (avec/Vide Actif)	56383509 56384001 (sans batterie) 56383505 (avec/Vide Actif)
Alimentation	36V 200 Ah	36V 200 Ah
Moteur du disque	1,9 kW, 65 Amp	1,9 kW, 65 Amp
Démarrage du moteur de traction		.5 hp PM / .37 kW
Démarrage du système de commande	Non-traction	Commande directe
Disque	51 cm	51 cm
Vitesse rotation disque	2.000 t/min	2.000 t/min
Pression disque	0 - 13,6 kg	0 - 13,6 kg
Vitesse M/AV	Non-traction	0 - 75m/min
Vitesse M/AR	Non-traction	0 - 52m/min
Vibration	<2,5 m/s ²	<2,5 m/s ²
Niveau de bruit (dba)	68	68
Roue motrice	4 cm x 20 cm	4 cm x 20 cm
Chargeur	36V, 25A, 85-265V/45-65Hz	36V, 25A, 85-265V/45-65Hz
Longueur	127 cm	127 cm
Largeur	58 cm	58 cm
Hauteur	105 cm	105 cm
Largeur bande polie	51 cm	51 cm
Rendement	2 230 m ² /h	2 230 m ² /h
Poids (avec 3-200Ah)	250 kg	256 kg
Poids livré	271 kg	277 kg

Modèle	BU800 20B BU800 20BA	BU800 20BT BU800 20BAT
Nombre modèle	56383512 56384002 (sans batterie) 56383508 (avec/Vide Actif)	56383511 56383513 (sans batterie) 56383507 (avec/Vide Actif)
Alimentation	36V 234 Ah (AGM)	36V 234 Ah (AGM)
Moteur du disque	1,9 kW, 65 Amp	1,9 kW, 65 Amp
Démarrage du moteur de traction		.5 hp PM / .37 kW
Démarrage du système de commande	Non-traction	Commande directe
Disque	51 cm	51 cm
Vitesse rotation disque	2.000 t/min	2.000 t/min
Pression disque	0 - 13,6 kg	0 - 13,6 kg
Vitesse M/AV	Non-traction	0 - 75m/min
Vitesse M/AR	Non-traction	0 - 52m/min
Vibration	<2,5 m/s ²	<2,5 m/s ²
Niveau de bruit (dba)	68	68
Roue motrice	4 cm x 20 cm	4 cm x 20 cm
Chargeur	36V, 25A, 85-265V/45-65Hz	36V, 25A, 85-265V/45-65Hz
Longueur	127 cm	127 cm
Largeur	58 cm	58 cm
Hauteur	105 cm	105 cm
Largeur bande polie	51 cm	51 cm
Rendement	2 230 m ² /h	2 230 m ² /h
Poids (avec 3-200Ah)	256 kg	262 kg
Poids livré	277 kg	283 kg



BU800 20B

BU800 20BT

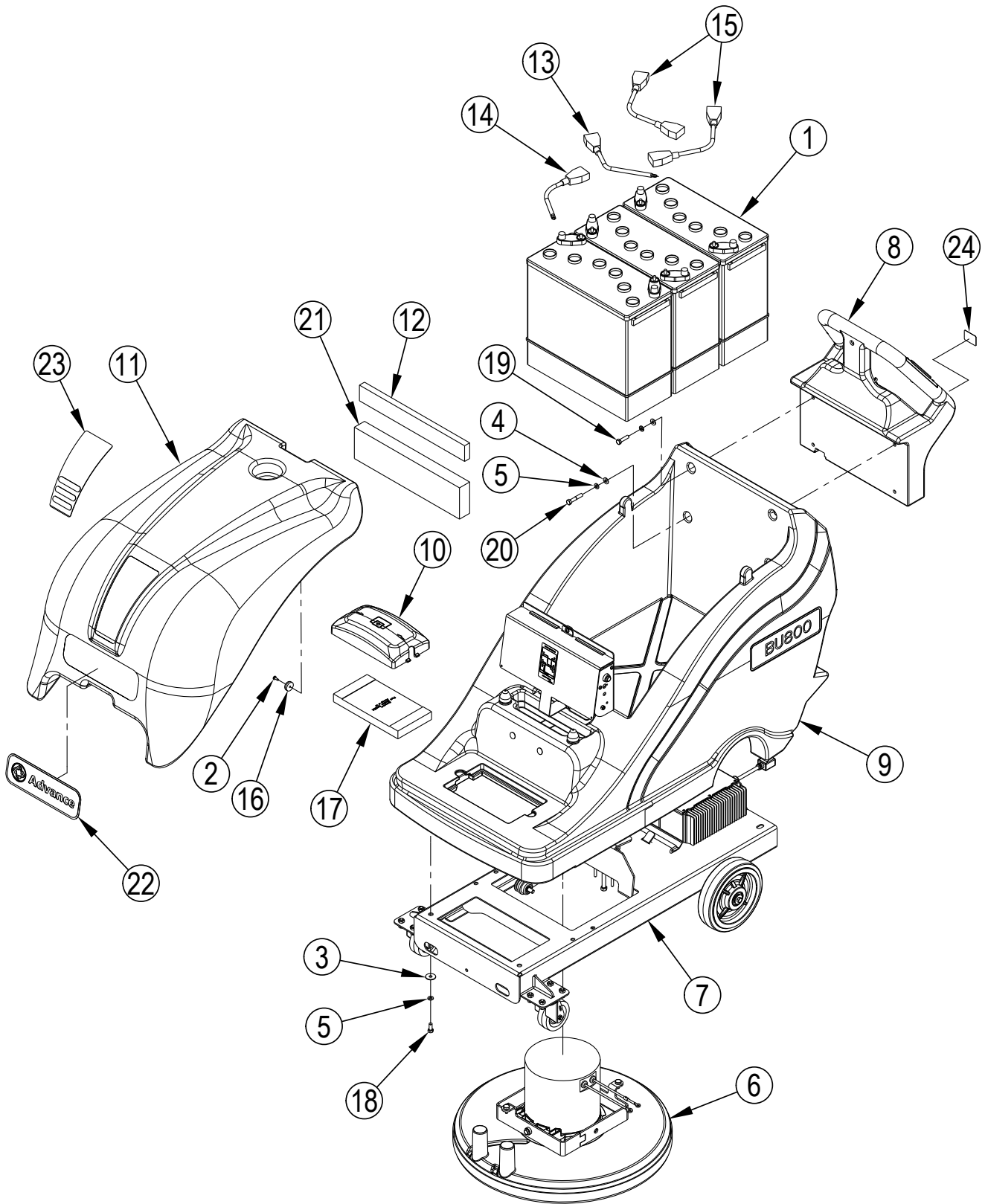
SECTION II: PARTS LIST

DESCRIPTION	PAGE
Assembly - BU800 20B	28-29
Assembly - BU800 20BT	30-31
Frame Assy - BU800 20B	32-33
Frame Assy - BU800 20BT	34-35
Handle Assy - BU800 20B	36-37
Handle Assy - BU800 20BT	38-39
Body Assy - BU800 20B	40-41
Body Assy - BU800 20BT	42-43
Head Assy	44-45
Active Vac Kit	46
Transaxle - BU800 20BT	47
Ladder Diagram - BU800 20B	48
Ladder Diagram - BU800 20BT	49

WHEN ORDERING PARTS

- * Use the part numbers from the "Part No." columns in this parts list.
- * Specify the model number and serial number of the machine.
- * Use the space below to record the model number and serial number for future reference.

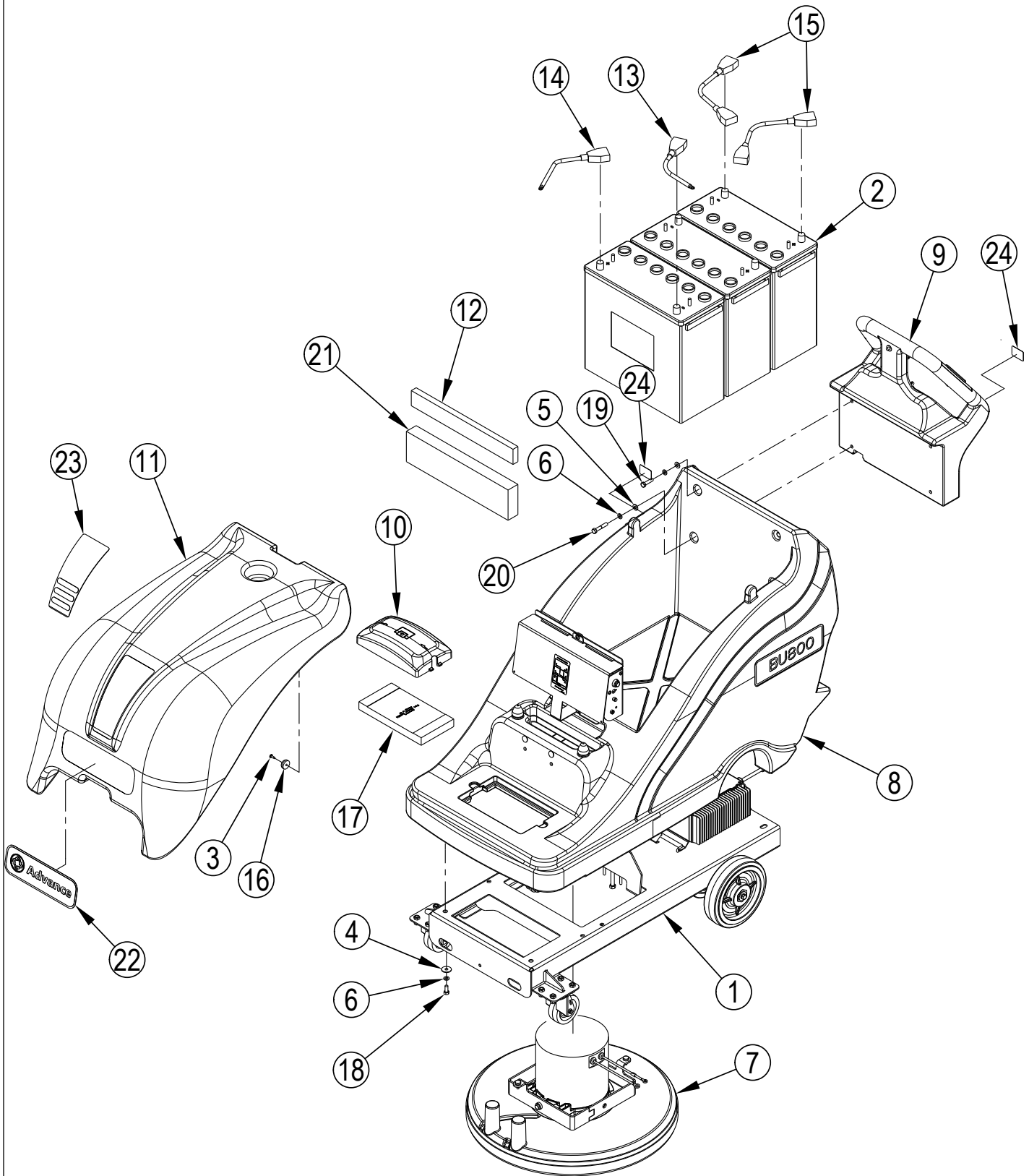
Model No. _____ Serial No. _____



9/2013	ASSEMBLY - BU800 20B		
12/2019	BU800 20B, 20BT		29

Item	Ref. No.	Qty	Description
1	871334	3	Battery, 200 AH Wet 12 Volt (56383506, 56383510)
1	41023A	3	Battery 234AH AGM (56383508, 56383512)
2	962957	2	Screw, 10-16 X 1/2 Self Tap
3	980205	4	Washer, .31 I.D. X 1.06 O.D.
4	56001939	4	Washer, Flat SAE 5/16
5	980652	8	Washer, 5/16 Lock
6		1	Head Asm, Burnisher 20"
7		1	Frame Asm, Burnisher 20"
8		1	Handle Asm, BU800 20B
9		1	Body Assy-Advance 20
10	30741A	1	Cover Dust Bag
11	56383542	1	Cover-Top-BU800
12	56383494	1	Spacer-Battery-15.5 X 2.0 X .75 (56383506, 56383510)
13	41050A	1	Cable, Battery Neg
14	41051A	1	Cable, Battery Pos
15	41217A	2	Cable, Battery Series
16	51609A	2	Bumper, Rear
17	54195A	1	Bag, Dust (Package Of 10)
18	56002667	4	Screw, Hex 5/16-18 X .75
19	85814A	2	Screw 5/16-18 X 1 1/4 Hh
20	56002368	2	Screw, Hex Thd To HD 5/16-18 X 1.75
21	56383330	1	Spacer Battery (56383508, 56383512)
22	56511928	1	Decal-Advance
23	56383545	1	Decal-Front-Stripe
24#	56394259	1	Decal-Prop 65
ACCESSORIES			
*	56044651	1	Literature Pack
*	54195A	1	Bag, Dust 10-Pack
*	976352	1	Burnishing Pads - Case of 5:Natural Blend, Tan HS 20"
*	976240	1	Pads Cs20 Aqua Ultra Hs Cs=5ea
*	976327	1	Pads Cs20 Wht Natrl Blend Cs=5ea
*	11223A	1	Active Vac Kit

* = Optional, Not Included
= Revised or new since last update

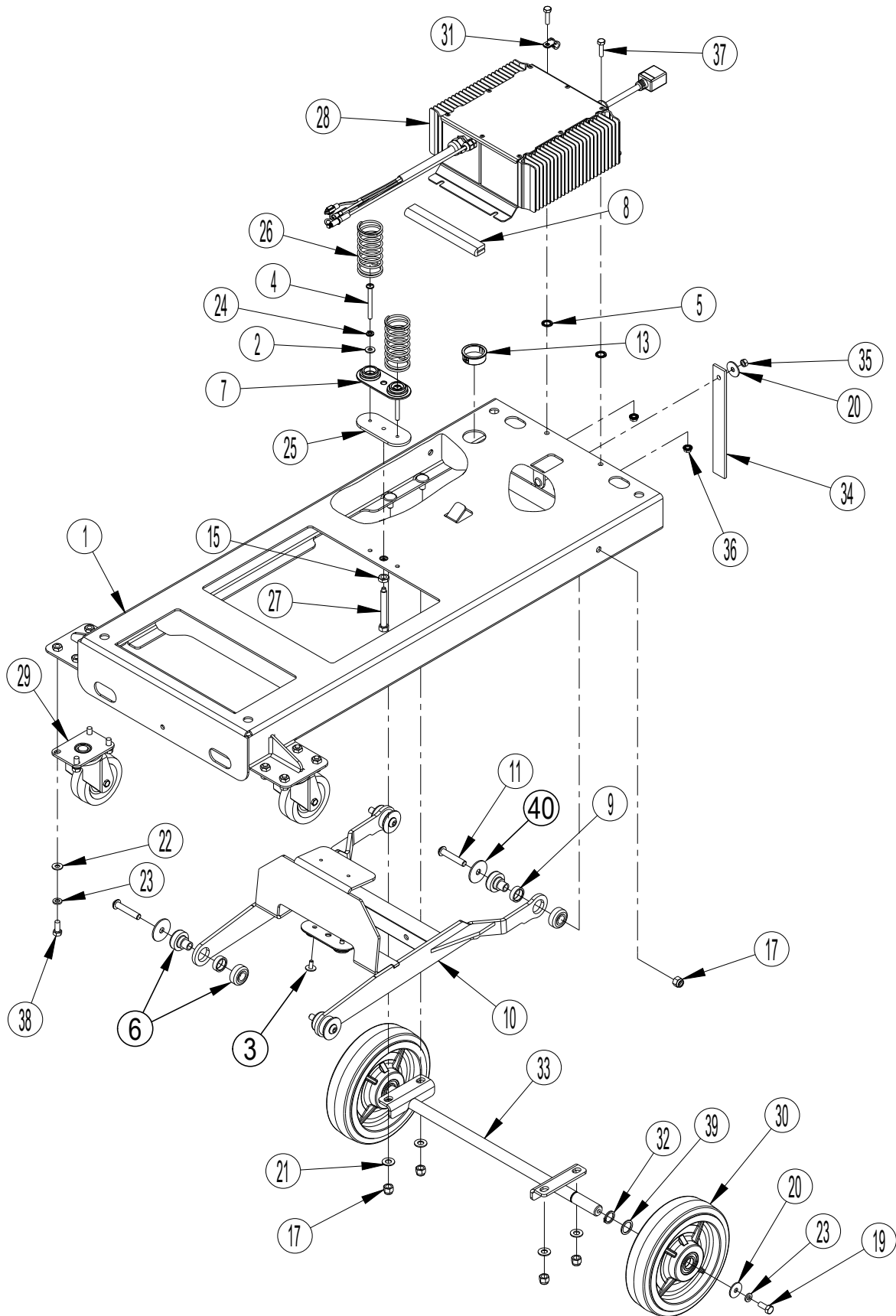


9/2013	ASSEMBLY - BU800 20BT		
12/2019	BU800 20B, 20BT		31

<u>Item</u>	<u>Ref. No.</u>	<u>Qty</u>	<u>Description</u>
1		1	Frame Asm. Burnisher 20" Trav
2	871334	3	Battery, 200 AH Wet 12 Volt (56383505, 56383509)
2	41023A	3	Battery 234AH AGM (56383507, 56383511)
3	962957	2	Screw, 10-16 X 1/2 Self Tap
4	980205	4	Washer, .31 I.D. X 1.06 O.D.
5	56001939	4	Washer, Flat SAE 5/16
6	980652	8	Washer, 5/16 Lock
7		1	Head Asm, Burnisher 20"
8		1	Body Asm, BU800 20BT
9		1	Handle, Asm BU800 20BT
10	30741A	1	Cover Dust Bag
11	56383542	1	Cover-Top-BU800
12	56383494	1	Spacer-Battery-15.5 X 2.0 X .75 (56383505, 56383509)
13	41050A	1	Cable, Battery Neg
14	41051A	1	Cable, Battery Pos
15	41217A	4	Cable, Battery Series
16	51609A	2	Bumper, Rear
17	54195A	1	Bag, Dust (Package Of 10)
18	56002667	4	Screw, Hex 5/16-18 X .75
19	85814A	2	Screw 5/16-18 X 1 1/4 Hh
20	56002368	2	Screw, Hex Thd To HD 5/16-18 X 1.75
21	56383330	1	Spacer Battery (56383507, 56383511)
22	56511928	1	Decal-Advance
23	56383545	1	Decal-Front-Stripe
24#	56394259	1	Decal-Prop 65
ACCESSORIES			
*	56044651	1	Literature Pack
*	54195A	1	Bag, Dust 10-Pack
*	976352	1	Burnishing Pads - Case of 5:Natural Blend, Tan HS 20"
*	976240	1	Pads Cs20 Aqua Ultra Hs Cs=5ea
*	976327	1	Pads Cs20 Wht Natrl Blend Cs=5ea
*	11223A	1	Active Vac Kit

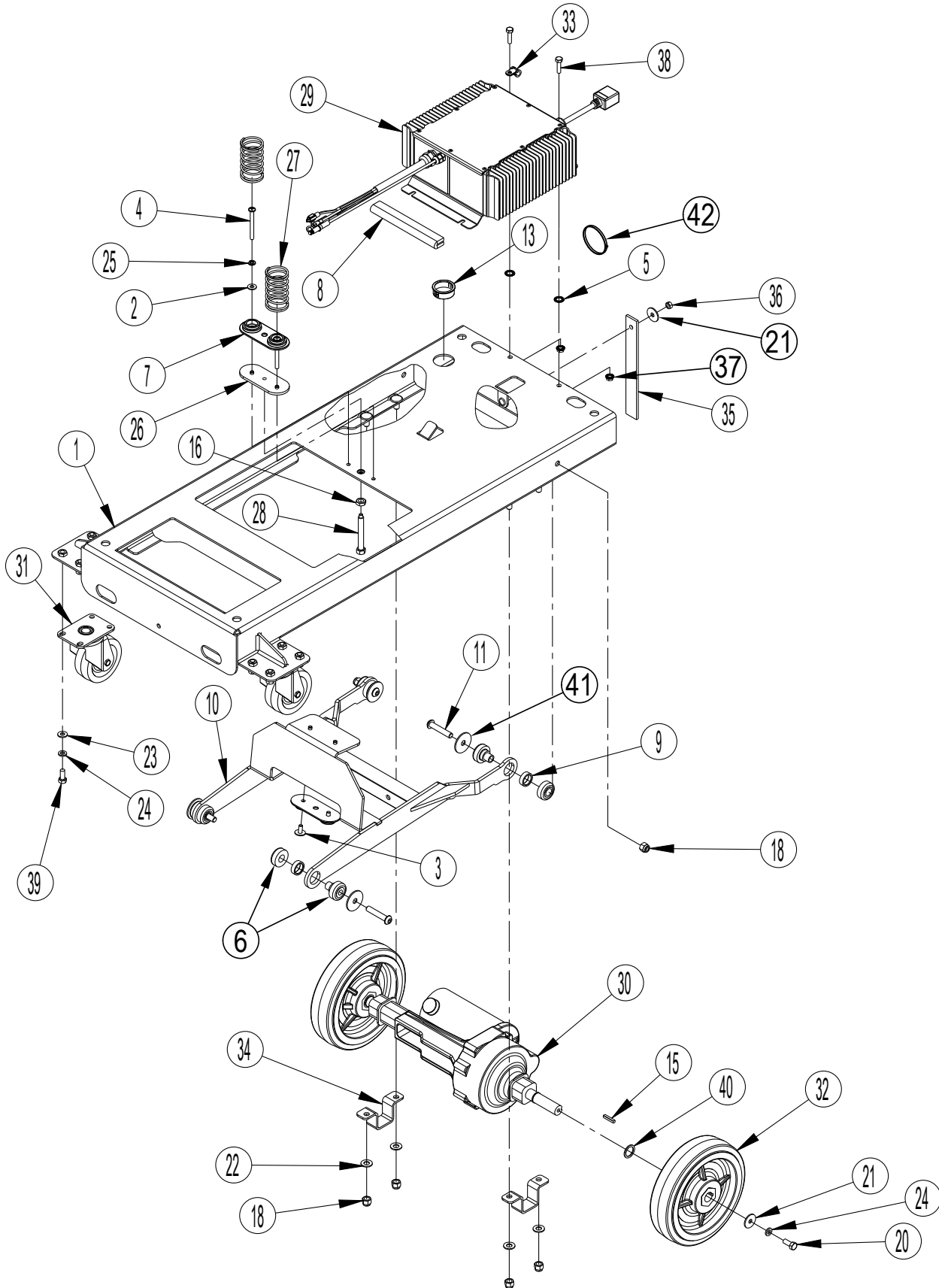
* = Optional, Not Included

= Revised or new since last update



9/2013	FRAME ASSY - BU800 20B		
12/2017	BU800 20B, 20BT		33

Item	Ref. No.	Qty	Description
1		1	Chassis Weldment (<u>not available for sale</u>)
2	56002098	2	Wsh, Flt Sae 1/4
3	56109766	2	Screw Button Head 1/4-20 X .63
4	962950	2	Screw 1/4-20X3 PN ST PH
5	56003859	2	Wsh-Serrated Ext Ss M10
6	56383251	4	Mount Vibration Damping
7	56383203	2	Seat Soft Spring
8	56383204	1	Gasket Charger
9	56383205	4	Spacer Steel
10	56383212	1	Head Lift Weldment 20/24
11	56383250	4	Scr Button Soc 3/8-16 X 2.00
13	87060A	1	Bushing Insulating
15	920148	1	Nut, 3/8-16 Hex Jam
17	920342	6	Nut Esna 3/8-16
19	962620	2	Screw, 5/16-24 X 3/4" Hex Hd.
20	980205	3	Washer, .31 I.D. X 1.06 O.D.
21	980645	4	Washer, 3/8" S.A.E. Flat
22	980651	8	Washer, 5/16 Flat
23	980652	10	Washer, 5/16 Lock
24	980657	2	Washer, Lock 1/4
25	56381751	1	Plate Spring Base
26	56381777	2	Spring Compression 20
27	56382846	1	Screw Head Pressure Adj
28	41036A	1	Charger, Battery 36vdc/21a
29	56383396	2	Caster Swivel 3.5 Sealed
30	54691A	2	Wheel, 8"
31	54768A	1	Clamp P 5/16 Steel
32	57423A	2	Retaining Ring External Sh .75 Heavy
33	61917A	1	Weldment, Non-Transpose Axle
34	69639A	1	Strap, Static
35	56002491	1	Nut Hex Nyl Loc Ss 1/4-20
36	81220A	2	Nut, Serrated Flange
37	85700A	2	Screw, 1/4-20 X 1 H.H.C.S.
38	85811A	8	Screw, 5/16-18 X 3/4 Hex Hd
39	87616A	2	Washer, FLT, 1.00x.75x.06 Nylon
40	56383253	4	Washer Snubbing



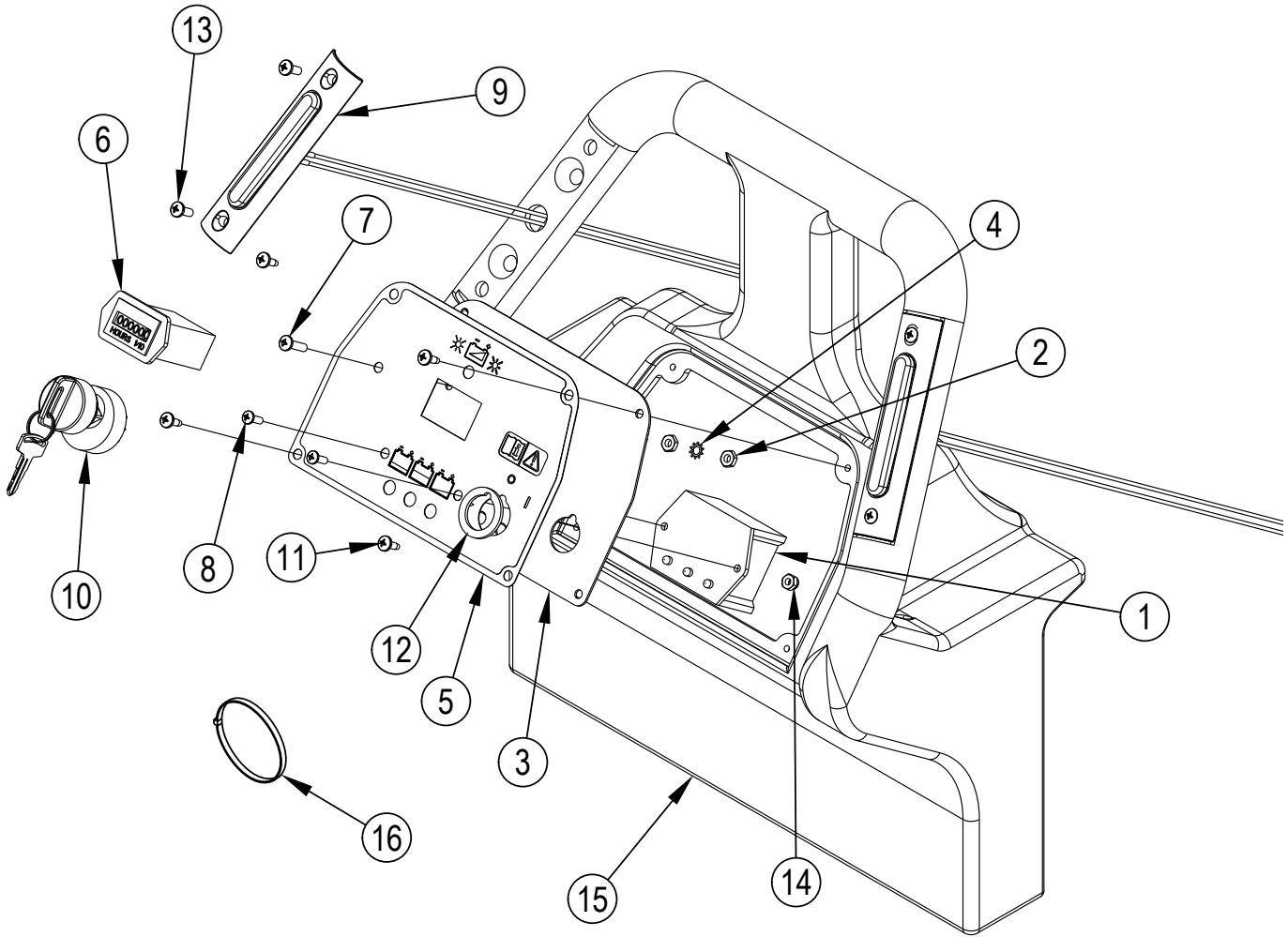
9/2013

FRAME ASSY - BU800 20BT

12/2017

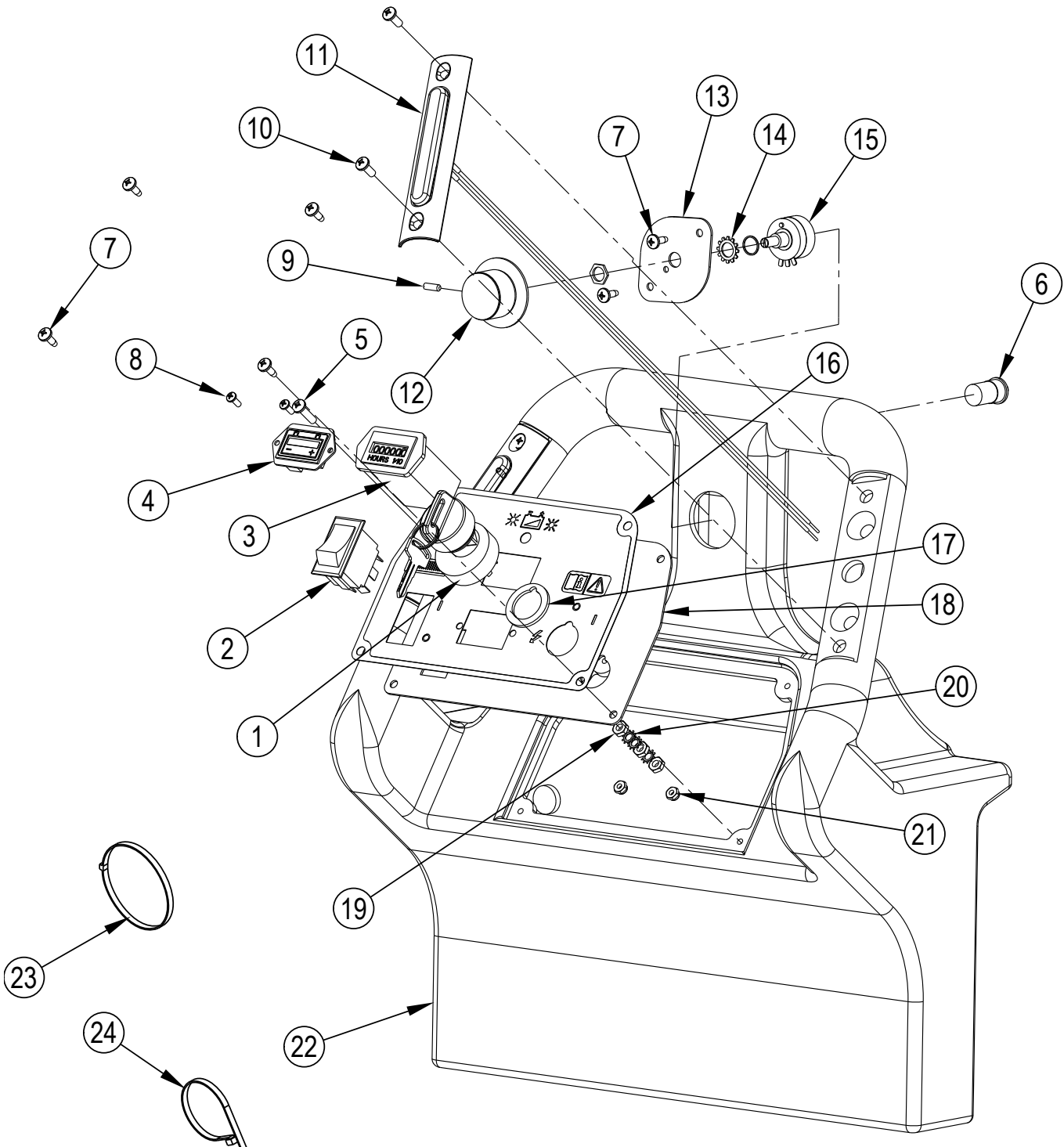
BU800 20B, 20BT**35**

Item	Ref. No.	Qty	Description
1		1	Chassis Weldment (<u>not available for sale</u>)
2	56002098	2	Wsh, Flt Sae 1/4
3	56109766	2	Screw Button Head 1/4-20 X .63
4	962950	2	Screw 1/4-20X3 PN ST PH
5	56003859	2	Wsh-Serrated Ext Ss M10
6	56383251	4	Mount Vibration Damping
7	56383203	2	Seat Soft Spring
8	56383204	1	Gasket Charger
9	56383205	4	Spacer Steel
10	56383212	1	Head Lift Weldment 20/24
11	56383250	4	Scr Button Soc 3/8-16 X 2.00
13	87060A	1	Bushing Insulating
15	915044	2	Key, 3/16 Sq.
16	920148	1	Nut, 3/8-16 Hex Jam
18	920342	6	Nut Esna 3/8-16
20	962620	2	Screw, 5/16-24 X 3/4" Hex Hd.
21	980205	3	Washer, .31 I.D. X 1.06 O.D.
22	980645	4	Washer, 3/8" S.A.E. Flat
23	980651	8	Washer, 5/16 Flat
24	980652	10	Washer, 5/16 Lock
25	980657	2	Washer, Lock 1/4
26	56381751	1	Plate Spring Base
27	56381777	2	Spring Compression 20
28	56382846	1	Screw Head Pressure Adj
29	41036A	1	Charger, Battery 36vdc/21a
30	41043A	1	Transaxle-36v-130rpm-0.22hp
31	56383396	2	Caster Swivel 3.5 Sealed
32	54692A	2	Wheel, 8"
33	54768A	1	Clamp P 5/16 Steel
34	62435A	2	Clamp, Transaxle
35	69639A	1	Strap, Static
36	56002491	1	Nut Hex Nyl Loc Ss 1/4-20
37	81220A	2	Nut, Serrated Flange
38	85700A	2	Screw, 1/4-20 X 1 H.H.C.S.
39	85811A	8	Screw, 5/16-18 X 3/4 Hex Hd
40	87616A	2	Washer, FLT, 1.00x.75x.06 Nylon
41	56383253	4	Washer Snubbing
42	699202	1	Wire Tie



9/2013	HANDLE ASSY - BU800 20B		
1/2017	BU800 20B, 20BT		37

<u>Item</u>	<u>Ref. No.</u>	<u>Qty</u>	<u>Description</u>
1	41035A	1	Meter, Battery / Low Voltage
2	920224	2	Nut, 10-32 Hex
3	61919A	1	Panel, Control
4	980603	2	Washer, #10 Lock Ext. Tooth
5	71423A	1	Label, Control Panel
6	912226	1	Meter, Hour 12V DC
7	85383A	1	Screw, 10-32 x 3/4 P.H.
8	962027	2	Screw, 8-32 x 1/2 PH
9	11178A	1	Switch Assembly, Handle
10	40786A	1	Switch, Key
11	962957	4	Screw, 10-16 x 1/2 Self Tap
12	40786S	1	Spacer, Key Switch
13	80104A	4	Screw, 10-32 x 1/2 S.S.
14	920065	2	Nut, 8-32 E.S.N.A.
15	30820A	1	Handle
16	699202	1	Wire Tie



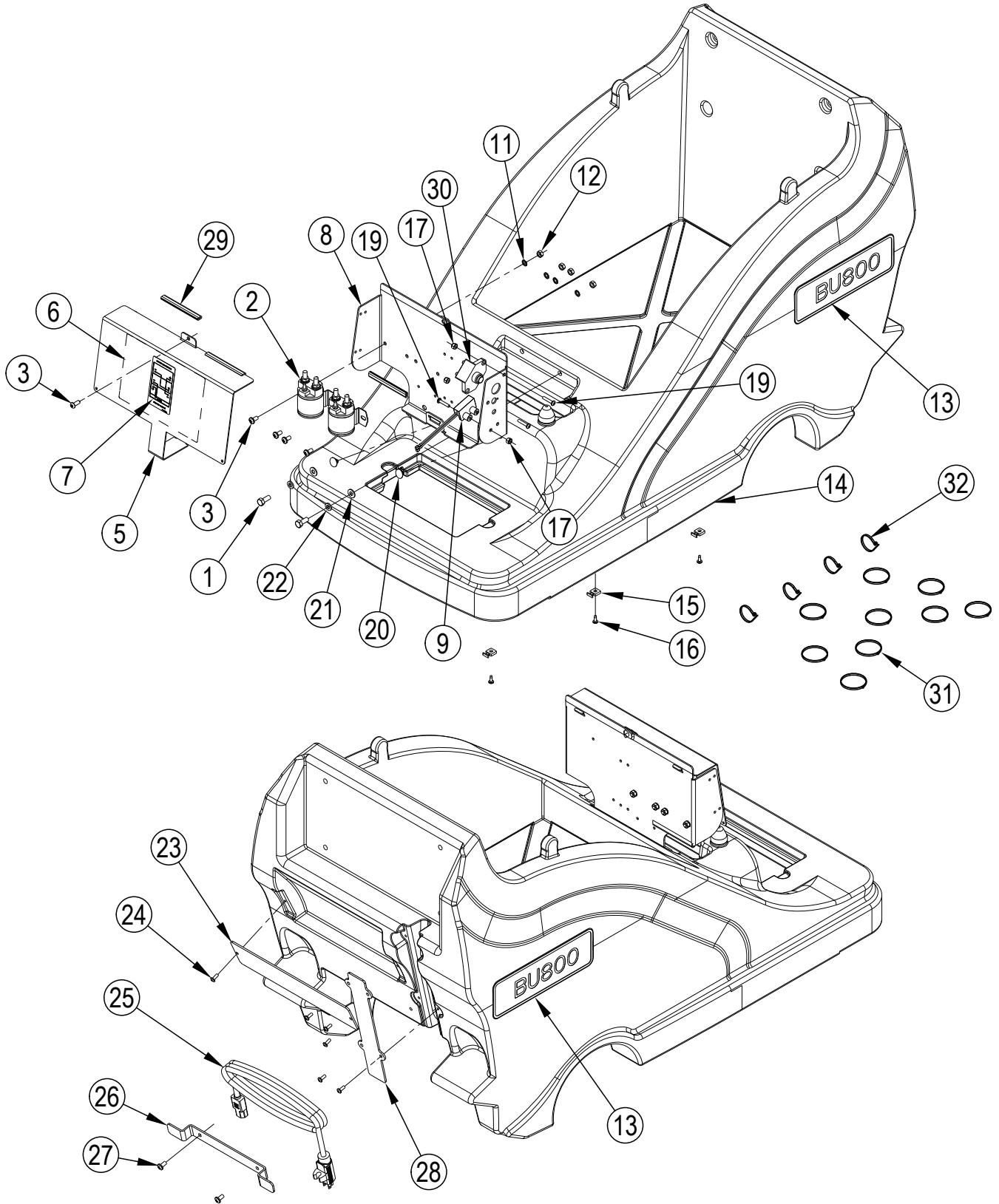
9/2013

HANDLE ASSY - BU800 20BT

1/2017

BU800 20B, 20BT**39**

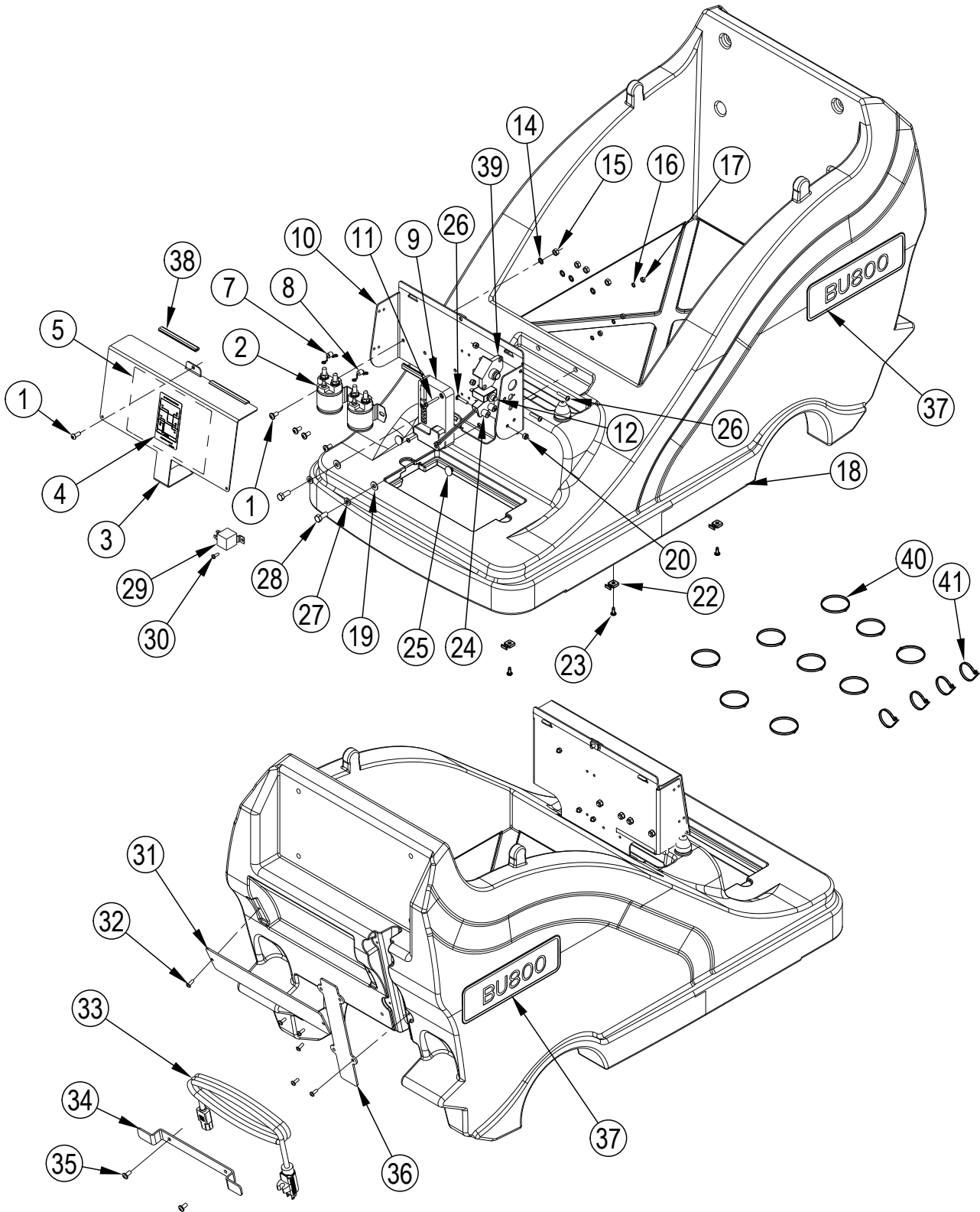
<u>Item</u>	<u>Ref. No.</u>	<u>Qty</u>	<u>Description</u>
1	40786A	1	Switch, Key
2	47381B	1	Switch, Rocker
3	912226	1	Meter, Hour 12V DC
4	41008A	1	Display, Tru-Charge
5	85383A	1	Screw, 10-32 x 3/4 P.H.
6	52556A	1	Switch, Push Button
7	962957	6	Screw, 10-16 x 1/2 Self Tap
8	85313C	2	Screw, PHMS 6-32 x 3/8
9	962262	1	Screw, Set 8-32 x 1/2"
10	80104A	4	Screw, 10-32 x 1/2 S.S.
11	11178A	2	Switch, Assembly Handle
12	50962A	1	Knob, Speed Control
13	61922A	1	Retainer, 5K Potentiometer
14	980666	1	Washer, 3/8 Starlock External
15	40750A	1	Harness, Potentiometer Asm.
16	71424A	1	Label, Control Panel
17	40786S	1	Spacer, Key Switch
18	61906A	1	Panel, Control
19	920224	3	Nut, 10-32 Hex
20	980603	4	Washer, #10 Lock Ext. Tooth
21	920056	2	Nut, 6-32 E.S.N.A. Nylock
22	30684A	1	Handle, BT
23	699202	1	Wire Tie
24	56478246	1	Cable Tie



9/2013	BODY ASSY - BU800 20B		
1/2017	BU800 20B, 20BT		41

<u>Item</u>	<u>Ref. No.</u>	<u>Qty</u>	<u>Description</u>
1	85811A	2	Screw, 5/16-18 x 3/4 Hex Hd.
2	41801A	2	Contactora, Main 36V
3	962823	5	Screw, 1/4-20 x 1/2 P.H.
5	61909A	1	Cover, Front Elec. Plate
6	79987A	1	Label, Connection Diagram
7	79985A	1	Label, Battery Connection
8	56381710	1	Plate, Electrical Weldment
9	56383487	1	Switch-Tilt
11	980614	4	Washer, 1/4" Starlock Ext.
12	920208	4	Nut, 1/4 - 20 Hex
13	56383543	2	Decal-BU800
14	30778A	1	Cover, Lower
15	52548A	3	Tab, 1/4" Screw
16	962957	3	Screw, 10-16 x 1/2 Self Tap
17	56002873	3	Nut, 10-32 Hex
19	98470A	3	Screw, 10-32 x 1.00
20	54770A	2	Fastener Ratchet
21	980651	2	Washer, 5/16 Flat
22	980652	2	Washer, 5/16 Lock
23	38740A	1	Strap, Retention (Dust Bags)
24	84237A	6	Screw, 10-32 x .50 P.H.
25	40740A	1	Cord, Charger NEMA
26	61598A	1	Bracket, Cord Wrap
27	85395A	2	Screw, 1/4-20 x 1/2" P.H.
28	38739A	1	Cover, Harness
29	56383244	3	Trim Lock 4-Inch
30	56393722	1	Circuit Breaker 70A
31	699202	9	Wire Tie
32	56478246	4	Cable Tie
[]	41037A	1	Harness, Power 20"

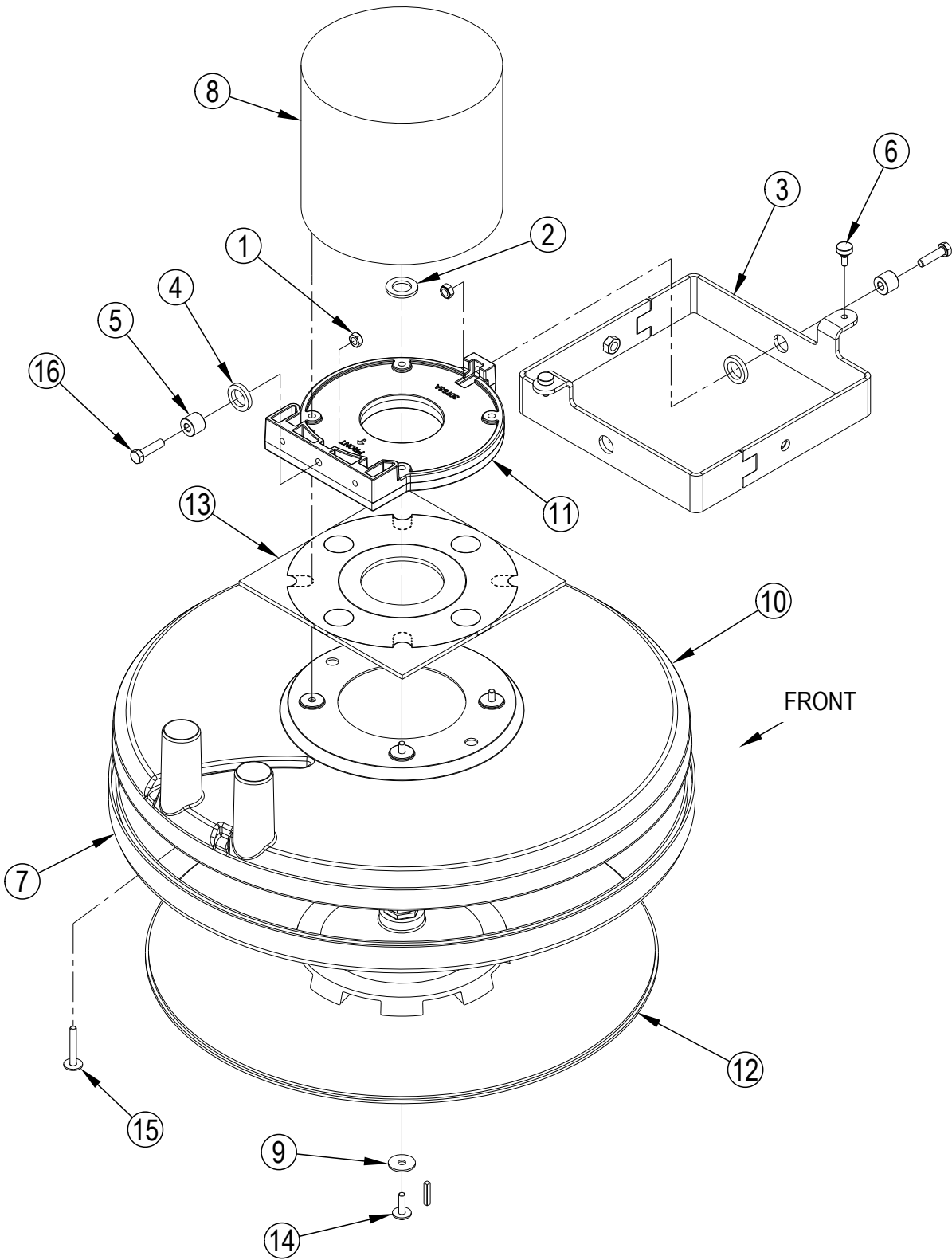
[] = Not Shown



9/2013	BODY ASSY - BU800 20BT		
1/2017	BU800 20B, 20BT		43

<u>Item</u>	<u>Ref. No.</u>	<u>Qty</u>	<u>Description</u>
1	962823	5	Screw, 1/4-20X 1/2 P.H.
2	41801A	2	Contactora. Main 36V
3	61909A	1	Cover, Front Electric Plate
4	79985A	1	Label, Battery Conn.
5	79984A	1	Label, Connection Dia.
7	42401A	1	Diode, Asm. Contactor
8	41022A	1	Diode, Avalanche Asm.
9	41042A	1	Controller, i-Drive 36V Traverse
10	56381710	1	Plate, Electrical Weldment
11	80380A	2	Screw, 8-32 x 1 1/4" P.H.
12	41448B	1	Breaker, 30A Circuit
14	980614	4	Washer, 1/4" Starlock Ext.
15	920208	4	Nut, 1/4-20 Hex
16	87200A	3	Washer, Lock #8
17	920108	3	Nut, 8-32
18	30778A	1	Cover, Lower
19	980651	2	Washer, 5/16 Flat
20	56002873	3	Nut, 10-32 Hex
22	52548A	3	Tab, 1/4" Screw
23	962957	3	Screw, 10-16 x 1/2 Self Tap
24	56383487	1	Switch-Tilt
25	54770A	2	Fastener, Ratchet
26	98470A	3	Screw, 10-32 x .500
27	980652	2	Washer, 5/16 Lock
28	85811A	2	Screw, 5/16-18 x 3/4" Hex Hd.
29	41007A	1	Relay, Traverse Power
30	962027	1	Screw, 8-32 x 1/2 P.H.
31	38740A	1	Strap, Retention (Dust Bags)
32	84237A	6	Screw, 10-32 x .50 P.H.
33	40740A	1	Cord, Charger NEMA
34	61598A	1	Bracket, Cord Wrap
35	85395A	2	Screw, 1/4-20 x 1/2" P.H.
36	38739A	1	Cover, Harness
37	56383543	2	Decal-BU800
38	56383244	3	Trim Lock 4-Inch
39	56393722	1	Circuit Breaker 70A
40	699202	9	Wire Tie
41	56478246	4	Cable Tie
[]	41041A	1	Harness, Power 20" Traverse
[]	41038A	1	Harness, Logic 20" Traverse

[] = Not Shown

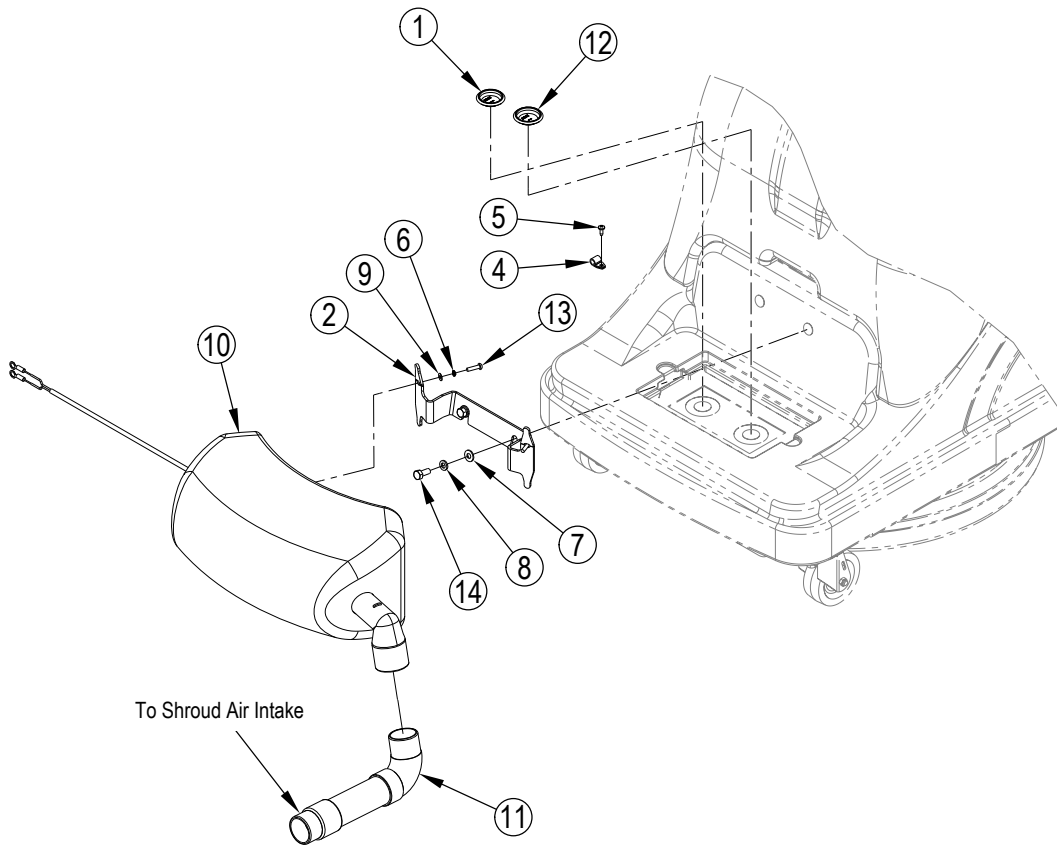


9/2013

HEAD ASSY**BU800 20B, 20BT****45**

Item	Ref. No.	Qty	Description
1	56002826	2	Nut, Hex Nyl Loc-Thin 5/16-18
2	56009022	1	Wsh, Fit .754 X 1.250 X .120
3	56383206	1	Motor Mount Weldment
4	56383218	2	Washer Rubber
5	56383219	2	Spacer Bearing
6	56383224	2	Bumper Button
7	56393565	1	Skirt Assy
8	41040A	1	Motor, 36 V. 2.5 HP
[]	56407500	1	Brush Assembly Kit
9	980205	1	Washer, .31 I.D. X 1.06 O.D.
10	30739A	1	Shroud Dust
11	30783A	1	Mount, Motor
12	54198A	1	Pad Driver
[]	57369A	1	Retainer Pad Bot Half Only
13	54435A	1	Gasket 2 Piece
14	80292A	1	Screw .25-20 X 1.00 Bhr Sems
15	80297A	4	Screw 1/4-20 X 1.75 Bh Zp Sems
16	85814A	2	Screw 5/16-18 X 1 1/4 Hh

[] = Not Shown



Item	Ref. No.	Qty	Description
	11223A	1	Active Vac Kit NOTE 1
1	56380133	1	Plug-Hole 1 5/16 NOTE 2
2	56383226	1	Bracket Active Vac
4	872102	1	Clamp Wire .312 Id
5	962957	1	Screw, 10-16 X 1/2 Self Tap
6	980650	2	Washer, #10 Lock
7	980651	2	Washer, 5/16 Flat
8	980652	2	Washer, 5/16 Lock
9	980982	2	Washer 10 Sae Flat Pltd
10		1	Hip Vac Assembly NOTE 3
11	38044A	1	Hose, Vacuum
12	38045A	1	Cap, Shroud NOTE 2
13	80205A	2	Screw, M5 X 0.8 X 20mm Pan Head
14	85811A	2	Screw, 5/16-18 X 3/4 Hex Hd

Accessories

[]	1406554010	A/R	Dust Bag-58 Gallon-Pack of 5
[]	1406794010	A/R	Round Motor Protection Filter-Pack of 1
[]	1406597500	A/R	Exhaust Filter-Pack of 3
[]	1406908000	A/R	Cloth Dust Bag-Reusable/Shake out

[] = Not Shown

NOTE 1: This is offered as an optional kit but comes standard on the following models only: 56383505, 56383506, 56383507, 56383508

NOTE 2: Optional usage depending on application.

NOTE 3: The vacuum unit is not available separately. If you need to replace it please order the kit 11223A.

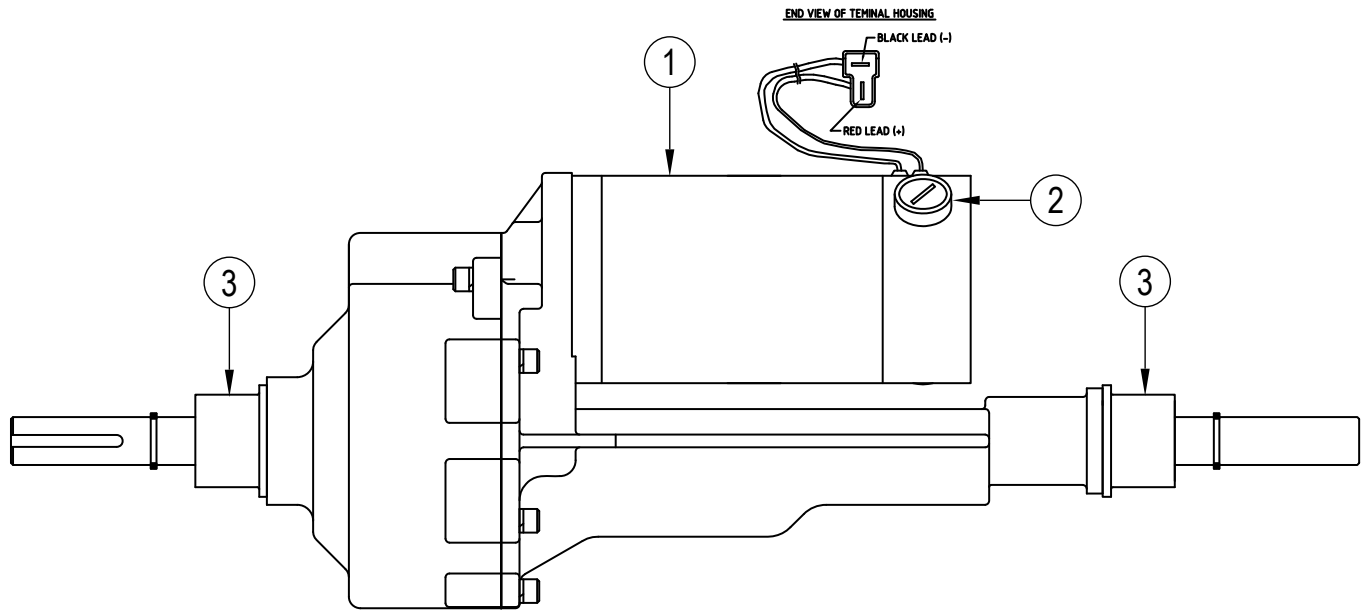
9/2013

TRANSAXLE - BU800 20BT

12/2019

BU800 20B, 20BT

47

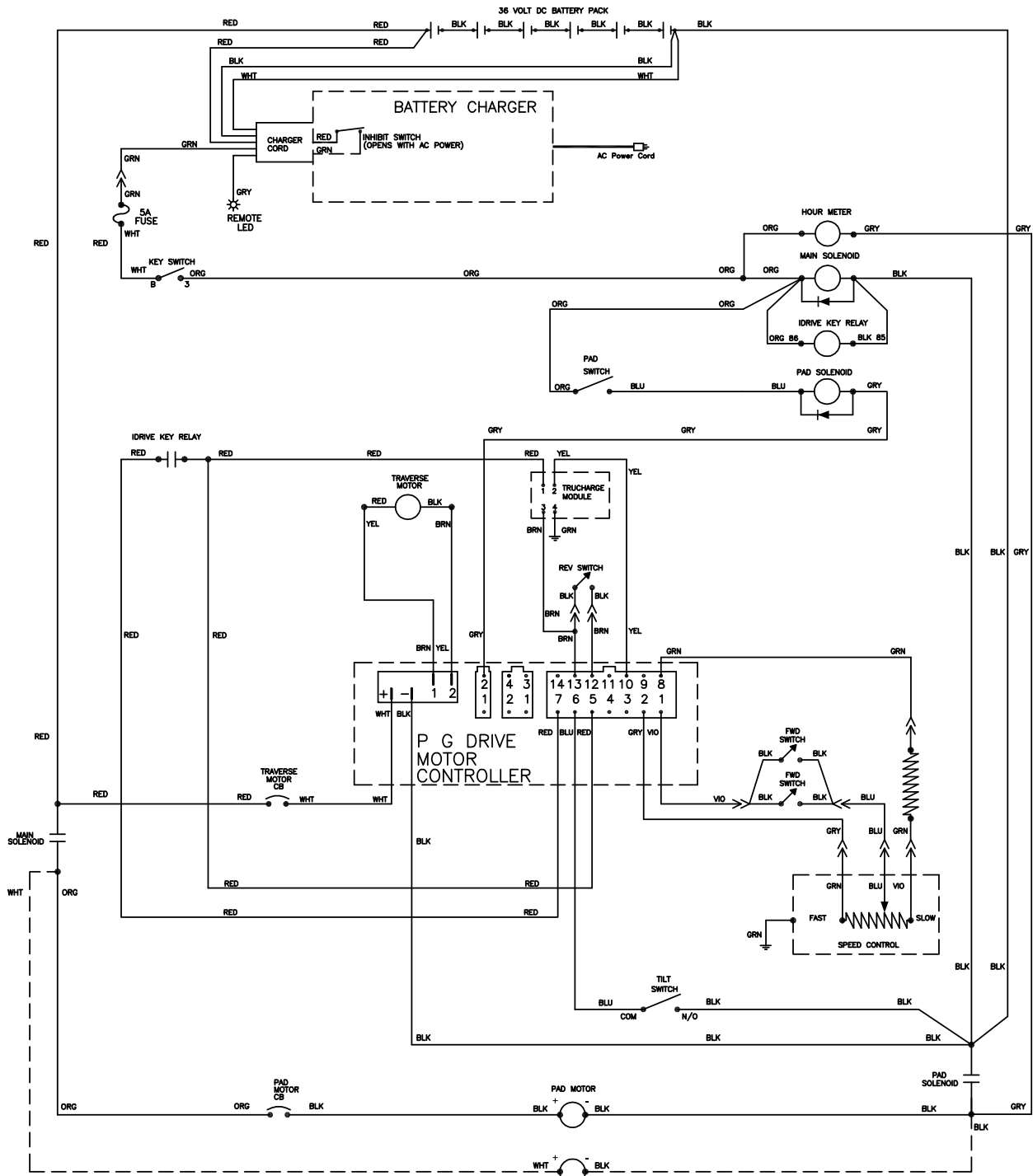


Item	Ref. No.	Qty	Description
1	52804A	1	Motor, Transaxle NOTE 1
2#	56385098	2	Motor Brush Kit 2PC
3	56315379	2	Mounting Sleeve Neoprene
[]	52801A	1	Coupler, Transaxle

[] = Not Shown

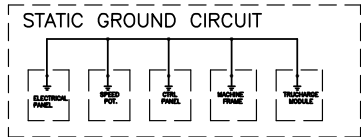
= Revised or new since last update

NOTE 1: Voltage: 36 VDC - Free Speed: ~ 130 RPM - Torque: 140 in-lbs @ 110 RPM (Ref. Only)



- PENNY & GILES CONTROL CONNECTIONS**
- 1 THROTTLE WIPER
 - 2 THROTTLE HIGH
 - 3 AUX 2 OUT
 - 4 SLOW/FAST SWT
 - 5 KEY SW
 - 6 INHIBIT 1 PROGRAM TO INHIBIT TRAV AND PAD WHEN TILT SWITCH IS CLOSED
 - 7 FUSED 36V OUT
 - 8 THROTTLE LOW
 - 9 BELLY SWT
 - 10 STATUS IND.
 - 11 AUX 3 OUT
 - 12 REV SWT
 - 13 0 VOLT
 - 14 INHIBIT 2 CHARGER

OPTION ACTIVE VAC (120VAC OPERATES AT 36VDC)





9435 Winnetka Ave North
Minneapolis, MN 55445
www.advance-us.com
Phone: 800-989-2235
Fax: 800-989-6566
©2019 Nilfisk, Inc.

