



## Electronic Service Manuals

This electronic document is provided as a service to our customers. We do not create the contents of the information contained in this document. Should you have detailed questions pertaining to the information contained in this document, you may contact Michco, or the manufacturer which provided the original information in this electronic deliverable. Michco's only part in this electronic deliverable was the electronic assembly process. By providing this manual on line we are not guaranteeing parts availability.

You may contact Michco through the following methods:

Phone (517) 484-9312 or (800) 331-3339

2011 N. High St. -- Lansing, Michigan -- 48906

Fax: (517) 484-9836

Email: [CustServe@Michco.com](mailto:CustServe@Michco.com)

Web site: [www.Michco.Com](http://www.Michco.Com)

Parts Web site: [www.FloorMachineParts.Com](http://www.FloorMachineParts.Com)

Order Parts on Line at:

**[www.FloorMachineParts.Com](http://www.FloorMachineParts.Com)**

Directly to Parts & Service:

By Email: **[Shop@Michco.com](mailto:Shop@Michco.com)**

By Fax: (517) 702-2041

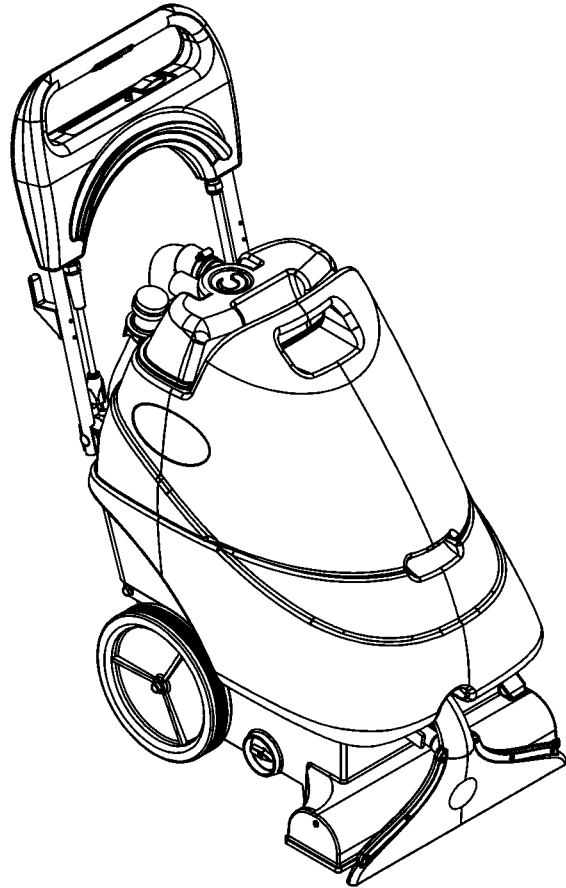
By Voice: Use numbers above.

**Serving the Cleaning Industry Since 1922**

Notice: All copyrighted material remains property of original owners, all trademarks are property of respective owners. Manuals are subject to Manufacturer's reproduction limitations. Originals or reproductions were provided by manufacturers through a request. We make no warranty as to the correctness of information provided in this document and you assume all risk. By placing these manuals on line we are not declaring our corporation to be an manufacturer authorized dealer or provider, please check our web site for authorized manufacturers we represent.

# AquaClean™ 16ST, 16XP, 18FLX, 18ST

---



---

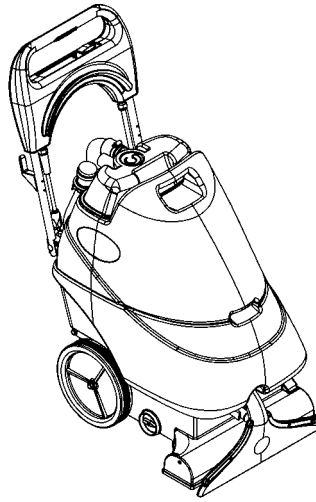
## **PARTS LIST**

**MODELS: 56265003(16ST), 56265000(16XP),  
56265001(18FLX), 56265008(18ST)**



# **Advance**





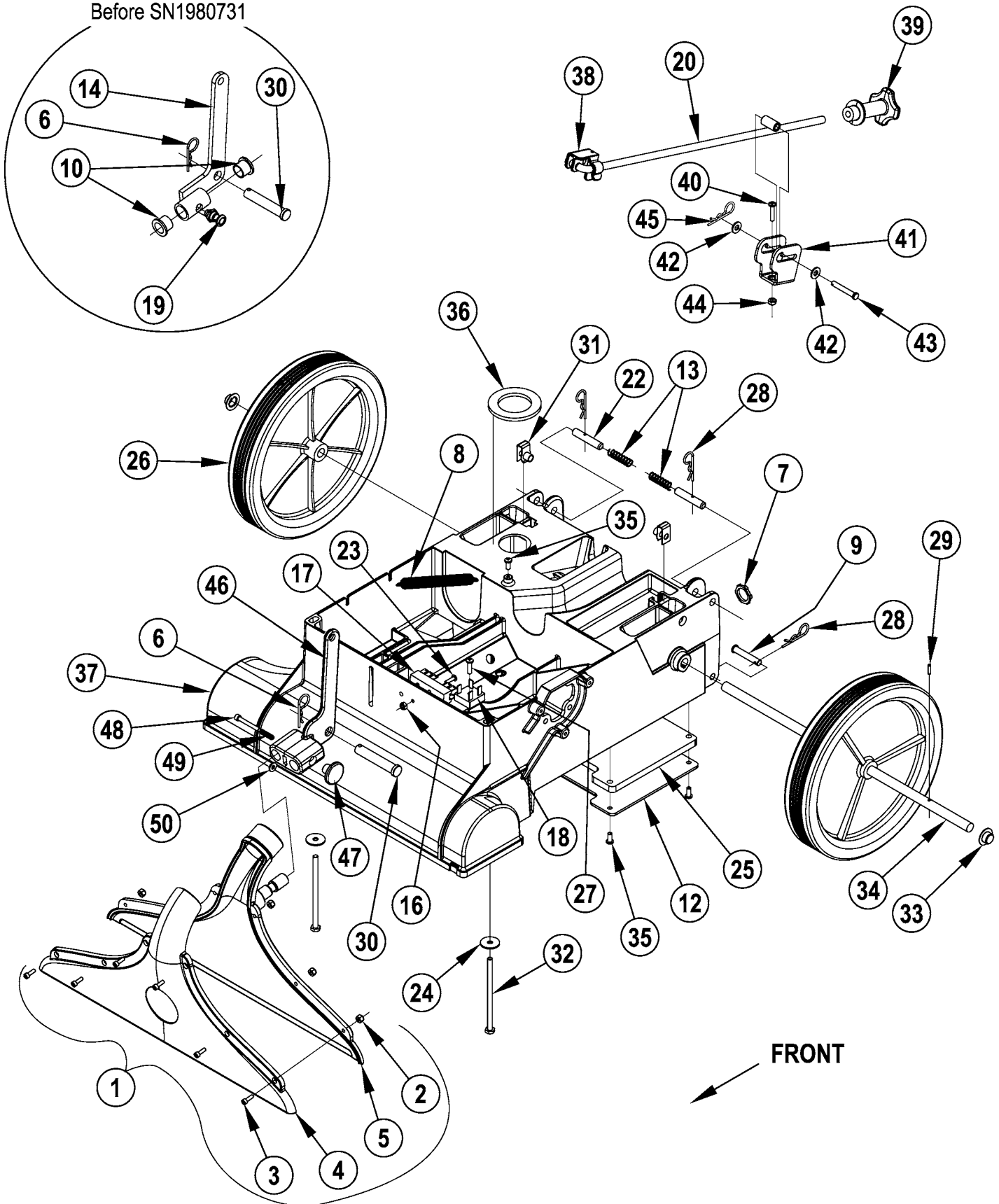
<b>DESCRIPTION</b>	<b>PAGE</b>
Base System .....	2-3
Brush System .....	4-5
Decal System .....	6-7
Handle System 16 .....	8-9
Handle System 18 .....	10-11
Recovery System .....	12-13
Solution Pump System .....	14-15
Solution Tank Assembly .....	16-17
Wiring Diagram .....	18-19
Accessories .....	20

**WHEN ORDERING PARTS**

- \* Use the part numbers from the "Ref. No." columns in this parts list.
- \* Specify the model and serial number of the machine.
- \* Use the space below to record the model and serial number for future reference.

Model \_\_\_\_\_ Serial No. \_\_\_\_\_

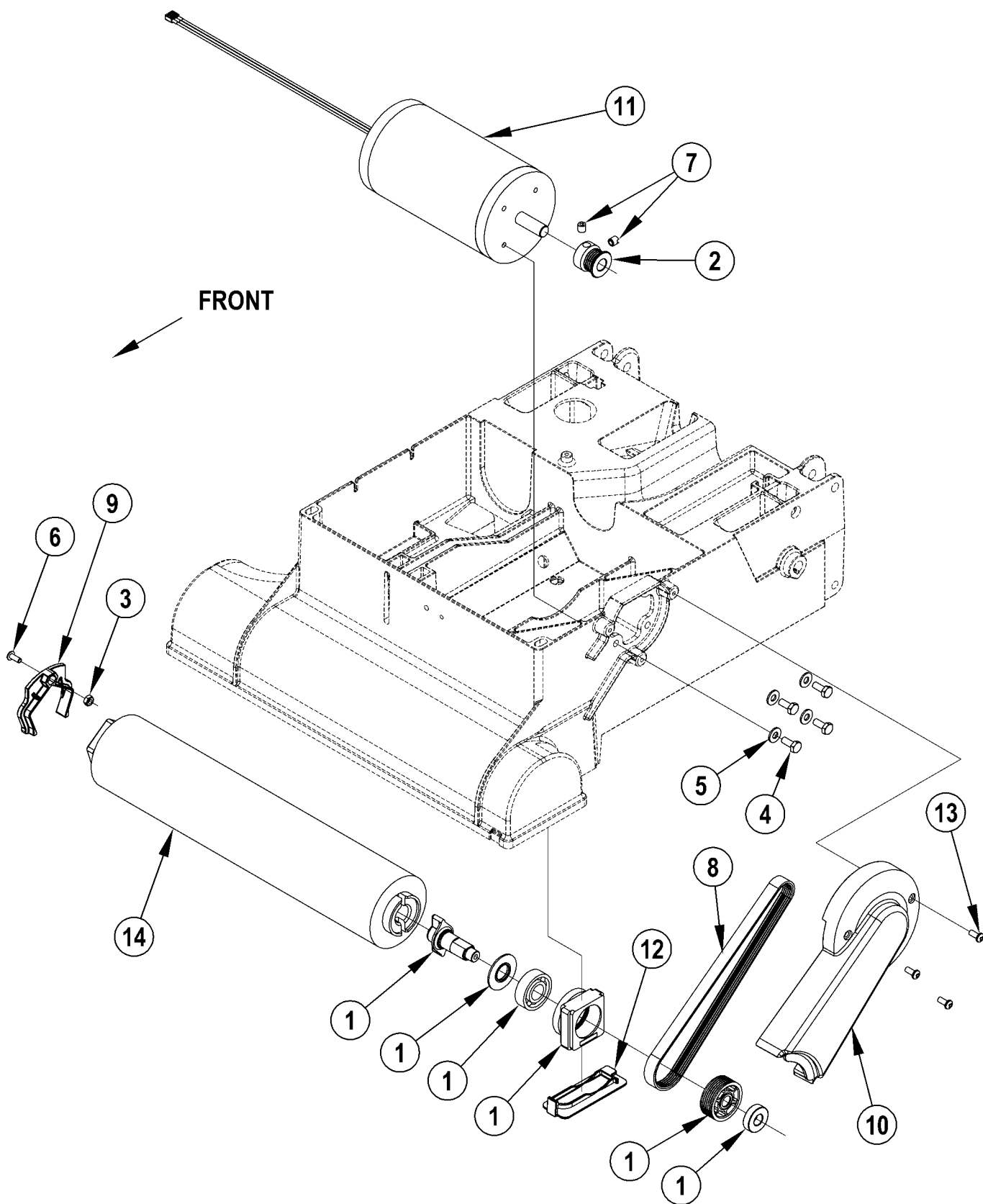
Before SN1980731



Item	Ref. No.	Qty	Description
1	56265067	1	Shoe Assembly, 16 (16ST, 16XP) (items 2-5)
	56265080	1	Shoe Assembly, 18 (18FLX / 18ST) (items 2-5)
2	56002865	6	Nut, Hex Nyl Loc-Thin 8-32
3	56002101	6	Scr, Soc Hd 8-32 x 0.50
4	56265068	1	Shoe Front, 16
	56265081	1	Shoe Front, 18
5	56265069	1	Shoe Back, 16, Assy
	56265082	1	Shoe Rear, 18, Assy
6	56002959	1	Pin, Cotter Hair
7	56009095	1	Nut, Conduit Lock 1/2-14
8	56398606	1	Spring, Ext .50 x 6.25
9	56321404	2	Clevis Pin .3125 x 1.84 (16ST, 16XP)
10	56171095	2	Bearing, Flange before SN1980731
12	56265172	1	Panel, Exhaust (16XP, 18FLX, 18ST)
	56265148	1	Panel, Exhaust (16ST)
13	56228142	2	Spring, Compression
14	56265116	1	Linkage Weldment, 16 (16ST, 16XP) before SN1980731 / NOTE 1
	56265144	1	Linkage Weldment, 18 (18FLX, 18ST) before SN1980731 / NOTE 1
16	56002865	1	Nut, Hex Nyl Loc-Thin 8-32
17	56260071	1	Terminal Block
18	56265103	1	Rectifier, 35 Amp
19	56365548	1	Lock Pin Assy before SN1980731
20	56265100	1	Rod, Brush Adjustment (16ST, 16XP)
	56265111	1	Adjustment Rod Weldment (18FLX, 18ST)
22	56265073	2	Pin, Pivot
23	56002146	1	Scr, Pan Phil 8-32 x .62
24	56009060	2	Wsh, Flt SS .260 x 1.000 x .074
25	56265071	1	Gasket, Exhaust
26	56249505	2	Wheel
27	56003091	1	Scr, Pan Phil Plastite 10-14 x .75
28	56003120	4	Pin, Cotter Hair .0915 x .375 (qty of 2 on 18" models)
29	56003133	1	Pin, Spr .12 x .56
30	56003207	1	Clevis Pin .50 x 2.75
31	56003690	2	Nut, U Multi-Thread M8 x 1.25 (16" models only)
32	56003691	2	Scr Hex Loc SS 1/4-20 x 4.50
33	56009097	2	Nut, Push Cap 1/2
34	56265057	1	Axle
35	56009191	5	Scr, Pan Phil Plastite 10-14 x .50
36	56200573	1	Gasket, Ring 1.75 x 2.75 x .19
37	56265020	1	Base, Extractor, 16 (16ST, 16XP)
	56265120	1	Base, Extractor, 18 (18 FLX, 18ST)
38	56265031	1	Clip, Rod
39	56109548	1	Knob, Brush Adjustment
40	56002674	1	Scr, Pan Phil 10-24 x 1.00 (18 FLX, 18ST only)
41	56265119	1	Latch, Adjustment (18 FLX, 18ST only)
42	56002098	2	Wsh, Flt SAE 1/4 (18 FLX, 18ST only)
43	56003193	1	Clevis Pin .25 x 1.625 (18 FLX, 18ST only)
44	56002832	1	Nut, Hex Nyl Loc-Thin 10-24 (18 FLX, 18ST only)
45#	2-00-05249	1	Hair Pin-Cotter (18 FLX, 18ST only)
46	56265237	1	Lever, Brush Adjustment after SN1980730
47	56265239	1	Knob after SN1980730
48	56003761	1	Scr, Soc HD SS 10-32 x 1.50 after SN1980730
49	56201448	1	Spring, Compression after SN1980730
50	56002916	1	Wsh, Flt SAE SS #10 after SN1980730

# = Revised or new since last update

NOTE 1: Part numberS 56265116 & 56265144 ARE obsolete and replaced by 56265243 which consists of Items (46-50).



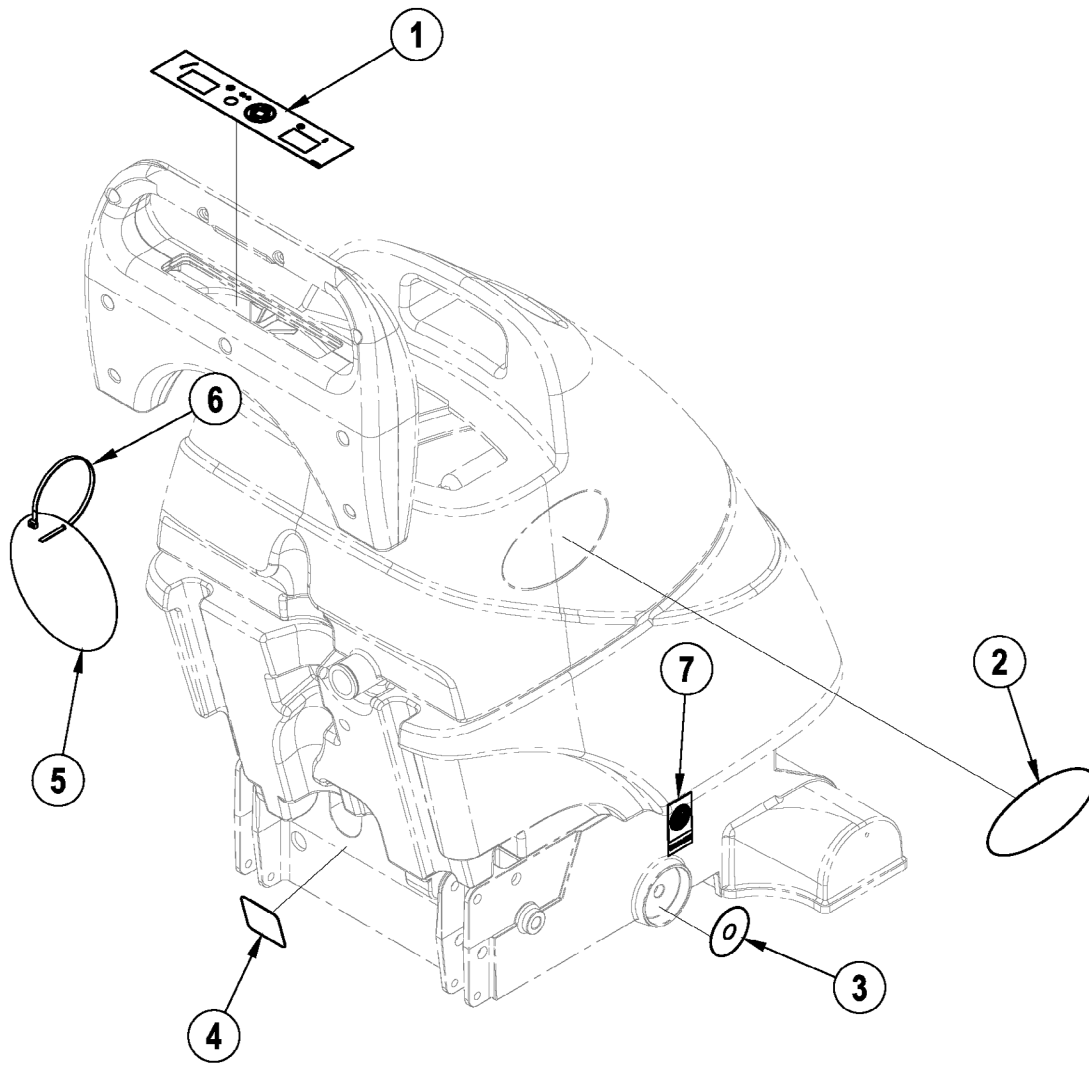
04-11

**BRUSH SYSTEM**

08-11

**AquaClean™****5**

Item	Ref. No.	Qty	Description
1	56265204	1	Bearing/Spindle Kit
	NA	1	Spindle, Drive
	NA	1	Washer, Bearing
	NA	1	Bearing, Block
	NA	1	Sheave Poly-V 6J17
	NA	1	Bearing, Ball
	NA	1	Bearing, Ball
2	56262558	1	Sheave, Poly-V
3	56002849	1	Nut, Hex Nyl Loc-Thin SS 10-24
4	56001854	4	Scr, Hex Hd 1/4-20 x .50
5	56002098	4	Wsh, Flt SAE 1/4
6	56002900	1	Scr, Pan Phil SS 10-24 x .50
7	56009131	2	Scr, Soc Set Loc 5/16-18 x .31
8	56265024	1	Belt, Poly V
9	56265043	1	Clip, Brush Retainer
10	56265047	1	Belt Guard
11	56265075	1	Motor, 115 VDC, 1/3 HP (16ST, 16XP, 18FLX, 18ST)
12	56265091	1	Cover, Pulley
13	56009191	3	Scr, Pan Phil Plastite 10-14 x .50
14	56265044	1	Brush Assembly 16
	56265046	1	Brush, 16
	56265099	1	Brush Assembly 18
	56265065	1	Brush, 18



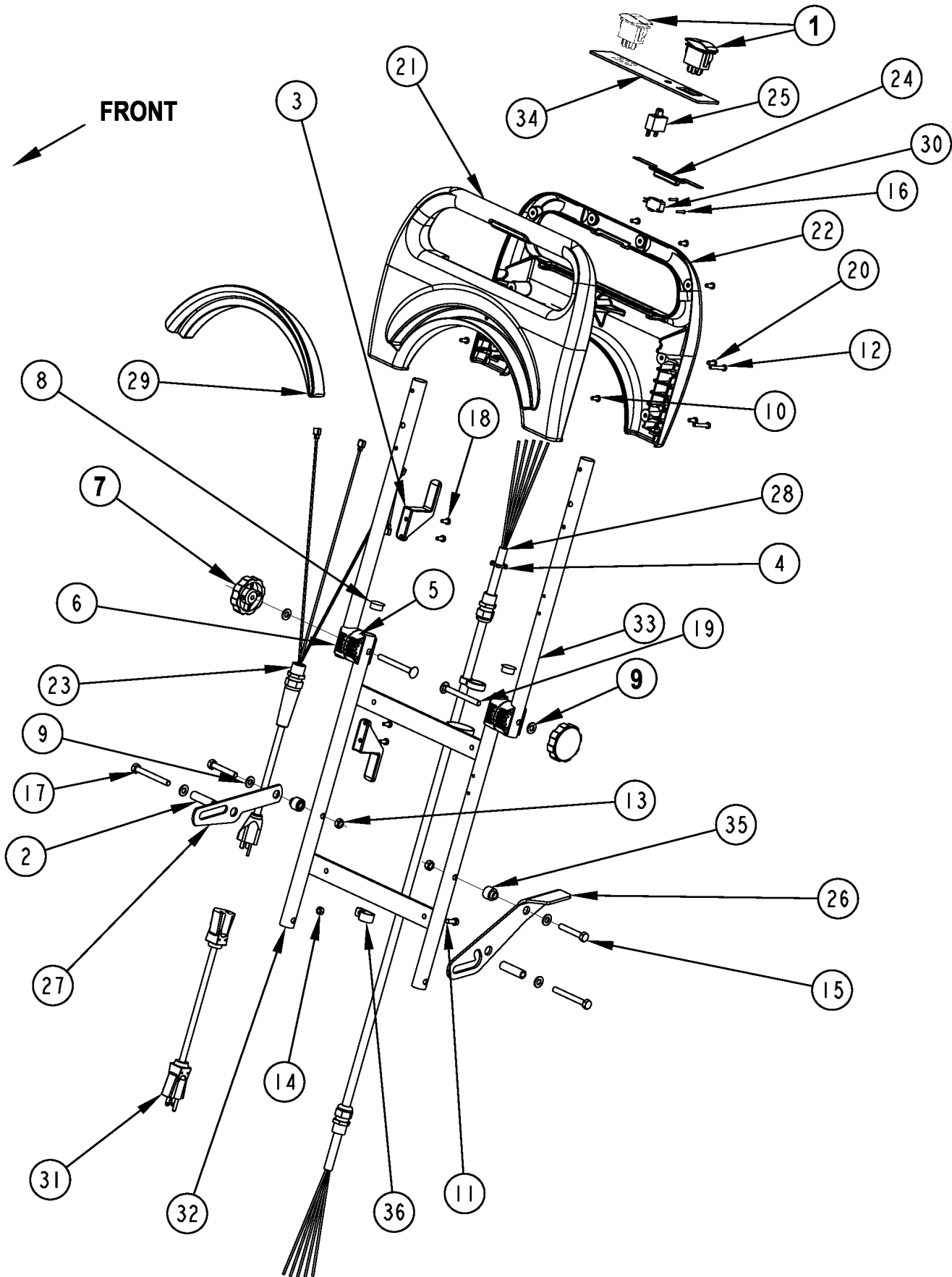
04-11

**DECAL SYSTEM**

09-12

**AquaClean™****7**

Item	Ref. No.	Qty	Description
1	56016716	1	Decal, Panel (16ST, 16XP)
	56016717	1	Decal, Panel (18FLX, 18ST)
2	56016721	2	Decal, AquaClean XP (16XP)
	56016725	2	Decal, AquaClean ST (16ST, 18ST)
	56016722	2	Decal, AquaClean FLX (18FLX)
3	56109693	1	Decal-Nozzle Selector (16XP, 18FLX)
4	56016718	1	Decal, Brush Pressure
5	56040958	1	Tag, CRI
6	56478523	1	Tie, Cable
7	56317151	1	Decal, CRI Bronze



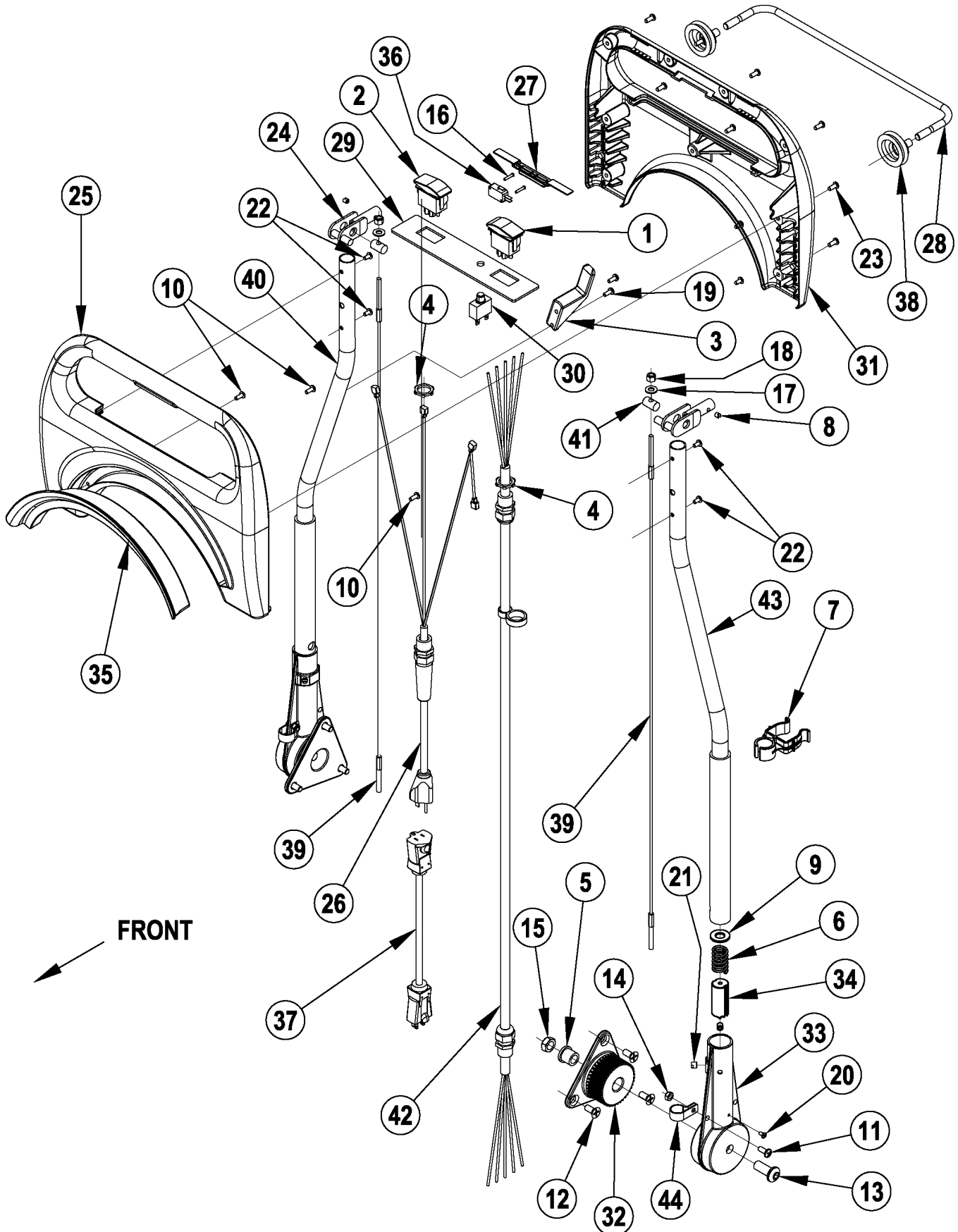
04-11

**HANDLE SYSTEM 16**

09-7

**AquaClean™****9**

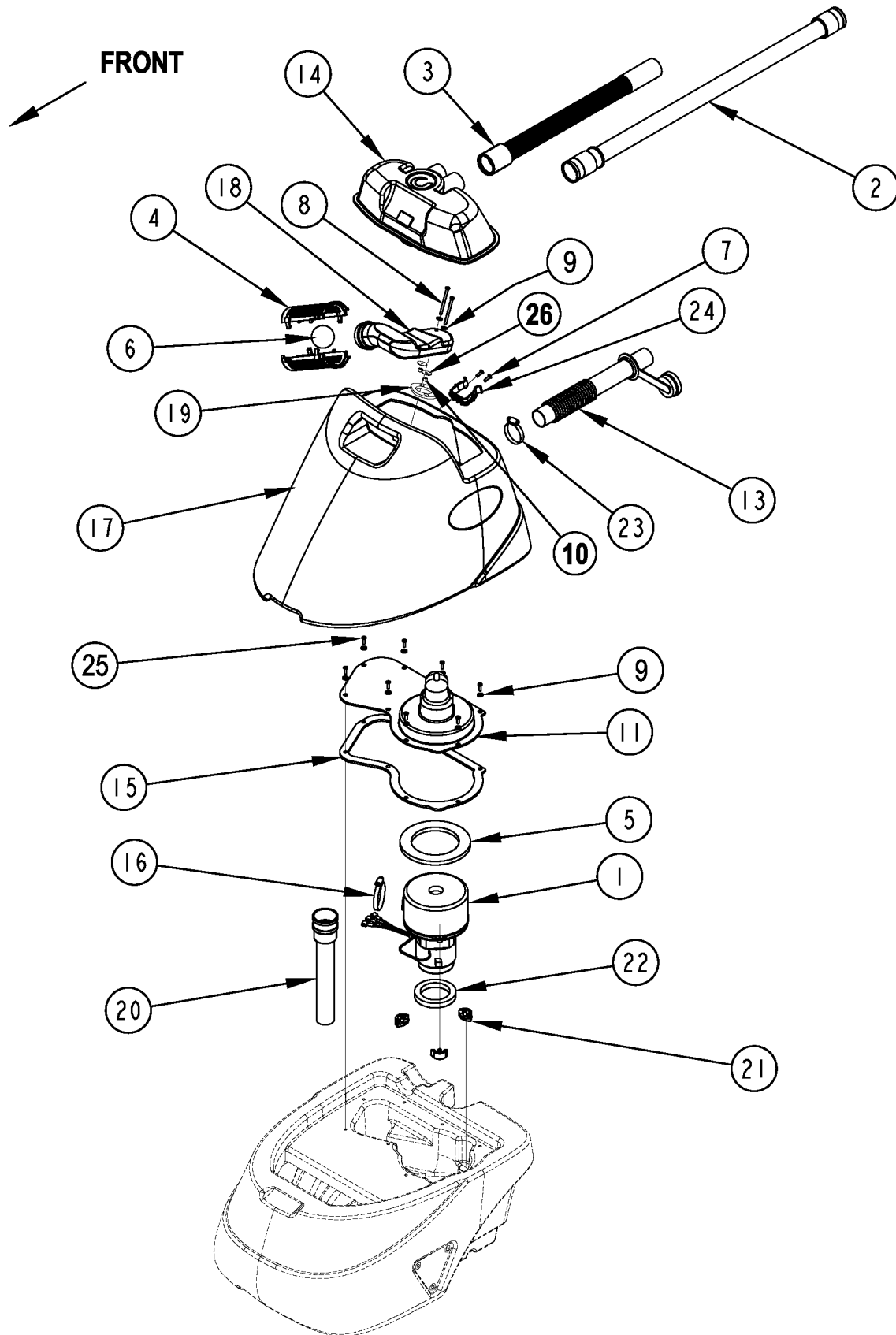
Item	Ref. No.	Qty	Description
1	56265097	1	Switch, Rocker <b>(16ST, 16XP)</b>
2	56265167	2	Bushing .34 x .50 x 1.50
3	56262518	2	Hook, Cord
4	56009095	2	Nut, Conduit Lock 1/2-14
5	56264118	2	Ratchet
6	56264123	2	Ratchet
7	56302167	2	Knob
8	56900041	2	Plug, Cap
9	56001939	6	Wsh, Flt SAE 5/16
10	56001993	3	Scr, Pan Phil 10-24 x .50
11	56003441	1	Scr, Hex Nyl Loc M6-1 x 16mm
12	56002824	4	Scr, Pan Phil 10-24 x 1.25
13	56003389	2	Nut, Hex Nyl Loc M8-1.25
14	56003350	1	Nut, Hex M6 x 1.0
15	56003210	2	Scr, Hex M8-1.25 x 50mm
16	56003092	2	Scr, Pan Phil Plastite 4-20 x .62
17	56003700	2	Scr, Hex M8-1.25 x 70mm
18	56009029	4	Scr, Pan Phil Thd Form 10-24 x .50
19	56009136	2	Scr, Carriage 5/16-18 x 3.00
20	56009191	9	Scr, Pan Phil Plastite 10-14 x .50
21	56265028	1	Cover, Handle, Front
22	56265029	1	Cover, Handle, Rear
23	56265035	1	Cord, Pigtail <b>(16XP)</b>
	56265162	1	Cord, Power 14/3, SJT <b>(16ST)</b>
24	56265053	1	Button, Spray
25	56265056	1	Circuit Breaker W/Boot <b>(16ST, 16XP)</b>
26	56265058	1	Latch, Handle
27	56265059	1	Strap, Handle
28	56265085	1	Main Cable Assy
29	56265090	1	Hook, Handle Cover
30	56265098	1	Switch, SPDT Snapaction
31	56265112	1	Cord Set, 14/3 x 50' YEL <b>(16XP)</b>
32	56265123	1	Lower Handle Weldment
33	56265143	2	Tube, Handle
34	56265159	1	Panel, Control <b>(16ST, 16XP)</b>
35	56265199	2	Bushing, Flange
36	56486112	1	Clamp, P



Item	Ref. No.	Qty	Description
1	56265097	1	Switch, Rocker ( <b>vacuum</b> )
2	56265107	1	Switch, Rocker ( <b>solution</b> )
3	56262518	1	Hook, Cord
4	56009095	2	Nut, Conduit Lock 1/2-14
5	56111503	2	Bearing, Flange
6	56056519	2	Compression Spring
7	56265169	1	Clip, Tool ( <b>18FLX</b> )
8	56001841	2	Scr, Soc Set Loc 1/4-20 x .25
9	56009003	2	Wsh, Flt .516 x .938 x .075
10	56001993	3	Scr, Pan Phil 10-24 x .50
11	56002066	2	Scr, Pan Phil 1/4-20 x .62 ( <b>qty of 1 on 18ST</b> )
12	56002395	6	Scr, Flt Phil 5/16-18 x .75
13	56009341	2	Scr, Button Soc 1/2-13 x 1.50
14	56002840	2	Nut, Hex Nyl Loc-Thin 1/4-20 ( <b>qty of 1 on 18ST</b> )
15	56002843	2	Nut, Hex Nyl Loc-Thin 1/2-13
16	56003092	2	Scr, Pan Phil Plastite 4-20 x .62
17	56002098	2	Wsh, Flt SAE 1/4
18	56003284	2	Nut, Hex Nyl Loc 1/4-28
19	56009029	2	Scr, Pan Phil Thd Form 10-24 x .50
20	56009066	2	Scr, Pan Phil 8-32 x .31
21	56009131	4	Scr, Soc Set Loc 5/16-18 x .31
22	56009139	4	Scr, Pan Phil Loc 10-24 x .38
23	56009191	9	Scr, Pan Phil Plastite 10-14 x .50
24	56265241	2	Handle Adjustment Pivot <b>NOTE 1</b>
25	56265028	1	Cover, Handle, Front
26	56265035	1	Cord, Pigtail
27	56265053	1	Button, Spray
28	56265054	1	Bail, Handle Release
29	56265055	1	Panel, Control
30	56265056	1	Circuit Breaker W/Boot ( <b>5 amps</b> )
31	56265062	1	Cover, Flip Handle, Back
32	56109556	2	Gear, Handle
33	56265083	2	Handle Socket
34	56109557	2	Lock, Handle
35	56265090	1	Hook, Handle Cover
36	56265098	1	Switch, SPDT Snapaction
37	56265112	1	Cord Set, 14/3x50' Yel
38	56265128	2	Bellows, Handle
39	56265147	2	Wire Rope Assy
40	56265157	1	Tube, Handle
41	56265242	2	Pin <b>NOTE 2</b>
42	56265192	1	Main Cable Assy
43	56265197	1	Tube, Handle
44	56486112	1	Clamp, P

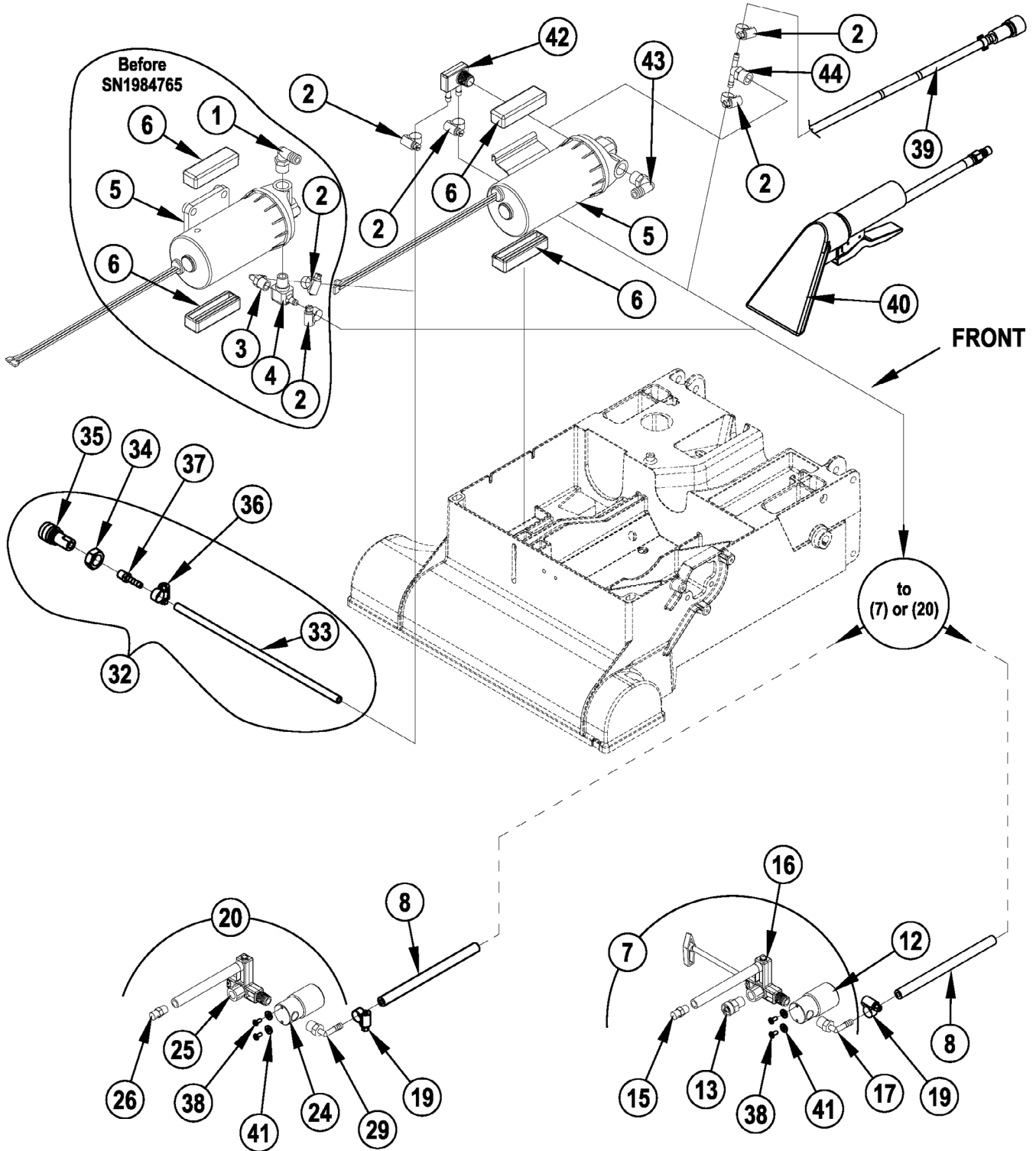
**NOTE 1:** Pivot Weldment 56265023 is obsolete and has been replaced by Handle Adjustment Pivot 56265241 in production. Order Kit 56265191 when replacing 56265023.

**NOTE 2:** Pin 56265164 is obsolete and has been replaced by Pin 56265242 in production. Order Kit 56265191 when replacing 56265164



Item	Ref. No.	Qty	Description
1	56265096	1	Vac Motor, 120V (16ST, 16XP, 18FLX, 18ST)
	56264453	1	Carbon Brushes for 56265096 (one pair)
2	56265145	1	Vac Hose 1.50 x 33.00 x 975018 (16XP, 18FLX)
	56265142	1	Vac Hose 1.50 x 48.00 x 975018 (16ST)
	56265211	1	Vac Hose 1.50 x 54.00 x 975018 (18ST)
3	56265158	1	Vac Hose 1.50 Stretch (16XP, 18FLX)
4	56324497	2	Cage, Float
5	56385437	1	Gasket
6	56391690	1	Ball, Float
7	56002124	2	Scr, Pan Phil 10-24 x .62 <b>NOTE 1</b>
8	56003809	2	Scr-Hex SS 10-24 x 2.00
9	56009205	10	Wsh, Flt SS #10
10	56002836	2	Nut-Hex Nyl Loc SS 10-24
11	56265030	1	Cover, Vac Motor
13	56265034	1	Hose, Drain 1.5 Inch <b>NOTE 1</b>
14	56109528	1	Recovery Lid Assy
15	56265072	1	Gasket, Vac Cover
16	56440213	1	Clamp, Hose SAE #32
17	56265127	1	Tank, Recovery, 18 (18FLX, 18ST)
	56265022	1	Tank, Recovery, 16 (16ST, 16XP)
	56265210	1	Tank, Recovery, ST (1 <sup>st</sup> generation 16ST)
18	56265134	1	Duct, Float
19	56265163	1	Gasket
20	56265202	1	Vac Hose Assy
21	56314484	3	Mount, Vibration
22	56314760	1	Gasket, Vacuum Duct
23	56329145	1	Clamp, Hose SAE #24 <b>NOTE 1</b>
24	56331154	1	Clamp, Plastic <b>NOTE 1</b>
25	56002900	8	Scr, Pan Phil SS 10-24 x .50
26	56009096	2	Wsh-Fit .193 x .875 x .060

**NOTE 1:** Not used on 1<sup>st</sup> generation 16ST models.



Item	Ref. No.	Qty	Description
1	56900069	1	Barb, 90 Elbow 1/2 X 3/8NPT <b>before SN1984765 / TSBUS2007-961</b> <b>TSBUS2007-961-1</b>
2	56756364	2	Clamp, Hose SAE #4
5	56265051	1	Pump 115V (16ST, 16XP, 18FLX, 18ST) <b>before SN1984765</b>
	56265224	1	Pump 115V (16ST, 16XP, 18FLX, 18ST) <b>after SN1984764</b>
6	56265033	2	Mount, Pump
7	56109512	1	Nozzle/Valve Assy (16) (16XP) (items 12, 13, 15-17) <b>NOTE 4</b>
	56109510	1	Nozzle/Valve Assy (18) (18FLX) (items 12, 13, 15-17) <b>NOTE 5</b>
8	56260841	1	Hose, Polyester Braid, 7.00 <b>before SN1984765</b>
	56264346	1	Hose, Polyester Braid, 10.50 <b>after SN1984764</b>
12	56265037	1	Valve, Solenoid 115V (16XP, 18FLX) <b>TSBUS2007-966</b>
13	56265038	1	Quick Veejet W/ Body
15	56265052	1	Nozzle, Spray
16	56109691	1	Valve Assy-16 (16XP)
	56109692	1	Valve Assy-18 (18FLX)
17	56470138	1	Barb, 90 Elbow 1/4 x 1/4NPT
19	56756364	1	Clamp, Hose SAE #4
20	56109513	1	Nozzle/Valve Assy (16) (16ST, 18ST) (items 24-26, 29) <b>NOTE 6</b>
24	56265037	1	Valve, Solenoid 115V <b>TSBUS2007-966</b>
25	NA		
26	56265052	1	Nozzle, Spray
29	56470138	1	Barb, 90 Elbow 1/4 x 1/4NPT
32	56265170	1	Hose Connection Assembly (16ST, 18ST) (items 33-37)
33	56220043	1	Solution Feed Hose <b>before SN1984765</b>
	56264346	1	Solution Feed Hose <b>after SN1984764</b>
34	56009078	1	Nut, Hex Jam SS 5/8-18
35	56265208	1	Socket, 1/8 FPT
36	56756364	1	Clamp, Hose SAE #4
37	56369594	1	Barb, Adapter 1/4 x 1/8NPT
38	56003018	2	Scr, Pan Phil SS 8-32 x .38
39	56265168	1	Hose Assembly (16XP, 18FLX)
40	56220109	1	Hand Tool Assembly (16XP, 18FLX)
41	56002875	2	Wsh, Fit SAE SS #8
42	56109503	1	Double Barb Assy <b>NOTE 3</b>
43	56109566	1	Barb, 90 Elbow 1/2 x 3/8 NPT <b>NOTE 2</b>
44	56507993	1	Tee, Barb 1/4 x 3/8 NPT <b>NOTE 1 / TSBUS2008-1002</b>

**NOTE 1:** Only used on Aquaclean 18FLX model 56265001. Tee 56507993 replaced items (56264382, 56470138 & 56369632) on the Aquaclean 18FLX model 56265001 after October 2007.

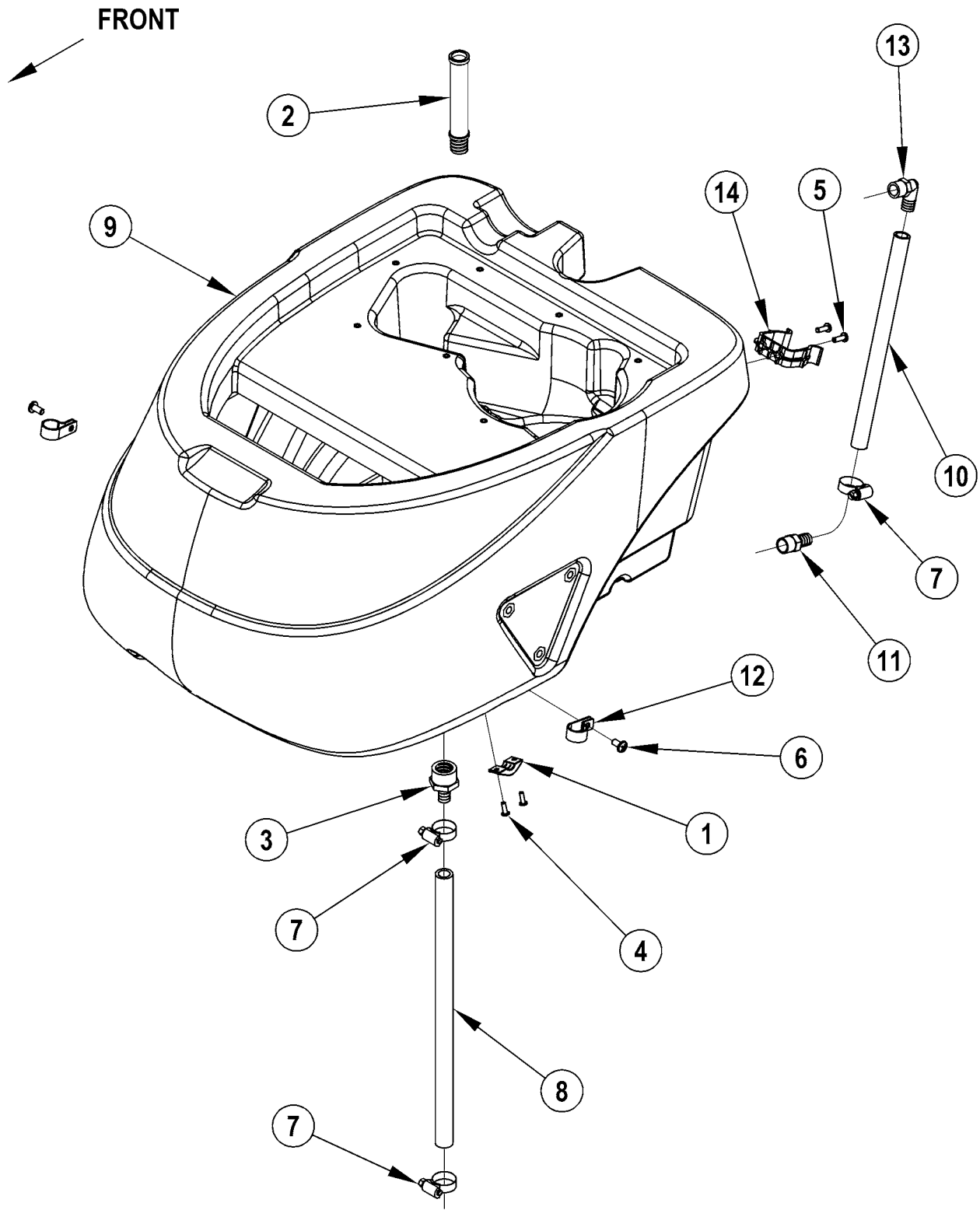
**NOTE 2:** First generation - **56409507** used before December 2007.  
Second generation - **56900069** used from December 2007 through August 2008.  
Third generation - **56109566** used after August 2008.

**NOTE 3:** Used on all models EXCEPT the Aquaclean 18FLX model 56265001.

**NOTE 4:** As of serial number 1000030934 Nozzle / Valve Assy 16 56265039 is obsolete and replaced by Nozzle-Valve Assy-16 56109512. If you need to replace any of the subcomponents from 56265039 please order the entire new assembly 56109512.

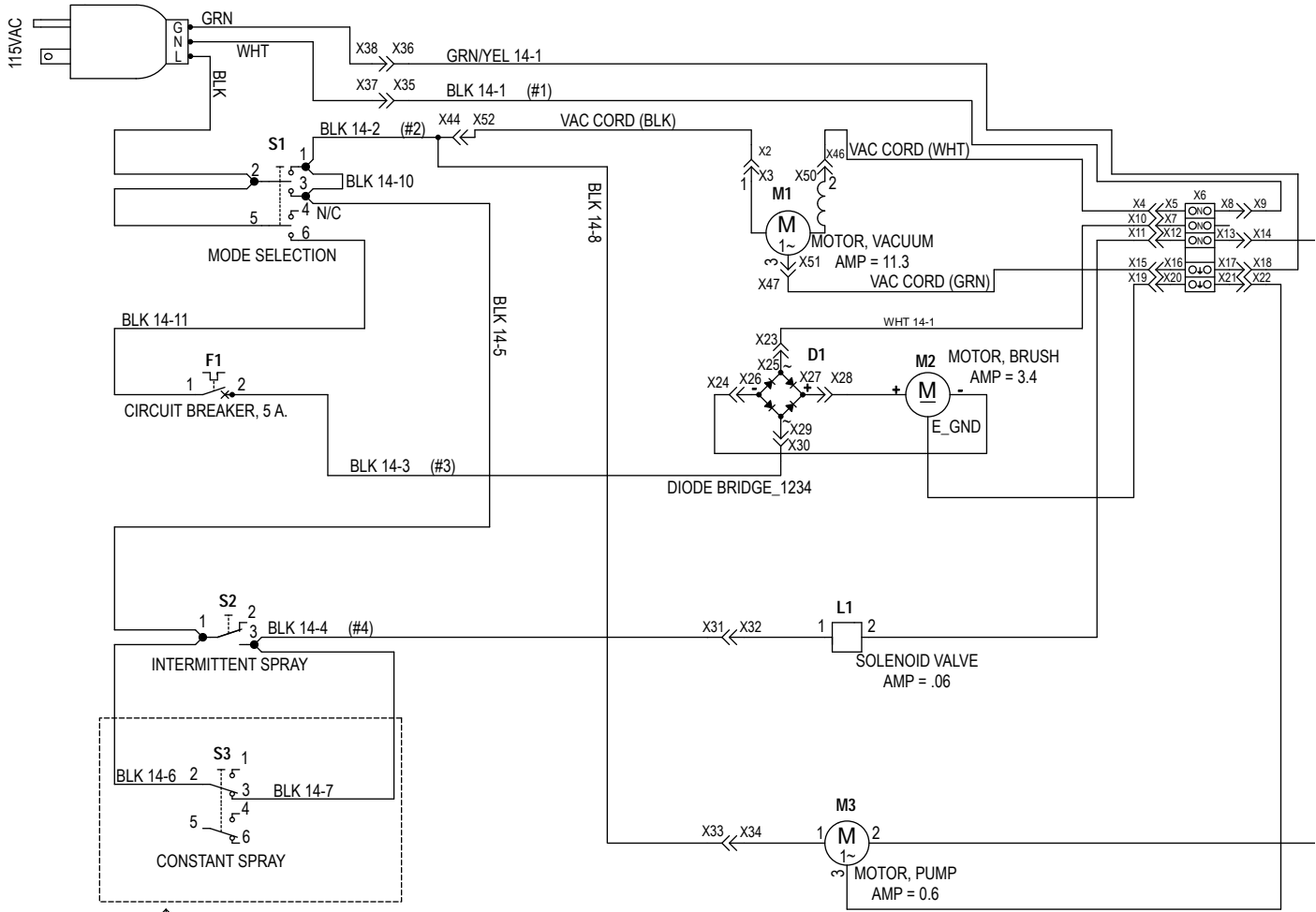
**NOTE 5:** As of serial number 1000030948 Nozzle / Valve Assy 18 56265139 is obsolete and replaced by Nozzle-Valve Assy-18 56109510. If you need to replace any of the subcomponents from 56265139 please order the entire new assembly 56109510.

**NOTE 6:** As of serial number 1000031068 Nozzle / Valve Assy 16 56265160 is obsolete and replaced by Nozzle-Valve Assy-16 56109513. If you need to replace any of the subcomponents from 56265160 please order the entire new assembly 56109513.



Item	Ref. No.	Qty	Description
1	56264119	1	Clamp, Power Cord (18FLX, 18ST)
2	56264137	1	Screen
3	56262190	1	Barb TSBUS2007-961 / TSBUS2007-961-1
4	56002003	2	Scr, Pan Phil 8-32 x .50 (18FLX, 18ST)
5	56002124	2	Scr, Pan Phil 10-24 x .62
6	56002145	2	Scr, Pan Phil 1/4-20 x .50 (18FLX / qty of 1 on 18ST)
7	56219932	3	Clamp, Hose SAE #6
8	56387302	1	Hose, Spiral .50 before SN1984765
	56407267	1	Hose, Spiral .50 after SN1984764 NOTE1
9	56265126	1	Tank, Solution, 18 (18FLX, 18ST)
	56265021	1	Tank, Solution, 16 (16ST, 16XP)
10	56265216	1	Hose, PVC Clear 11.00
11	56109565	1	Barb, Adapter 1/2 x 3/8NPT
12	56486112	2	Clamp, P (18FLX / qty of 1 on 18ST)
13	56109566	1	Barb, 90 Elbow 1/2 x 3/8NPT
14	56331154	1	Clamp, Plastic

NOTE 1: Hose 56266108 has been replaced by Hose 56407267.



OPTIONAL  
(USED ON 18" MACHINE)

Item	Ref. No.	Qty	Description
D1	56265103	1	Rectifier, 35 Amp
F1	56265056	1	Circuit Breaker, 5 Amp
L1	56265037	1	Valve, Solenoid 115V <b>TSBUS2007-966</b>
M1	56265096	1	Motor Vacuum, 120V
	56264453	1	Carbon Brushes for 56265096 (one pair)
M2	56265075	1	Motor, Brush 115 VDC, 1/3 HP
M3	56265051	1	Pump 115V (16ST, 16XP, 18FLX, 18ST) <b>before SN1984765</b>
	56265224	1	Pump 115V (16ST, 16XP, 18FLX, 18ST) <b>after SN1984764</b>
S1	56265097	1	Switch, Mode Selection
S2	56265098	1	Switch, Solution Spray
S3	56265107	1	Switch, Constant Spray ( <b>18FLX only</b> )
*	56265187	1	Wire Assembly (16ST, 16XP, 18FLX, 18ST)
*	56265102	1	Wire Assembly (16ST, 16XP, 18FLX, 18ST)
*	56265087	1	Wire Assembly (16ST, 16XP, 18FLX, 18ST)
*	56265108	2	Wire Assembly ( <b>18FLX, 18ST</b> )

\* = Not Shown

**ACCESSORIES**

04-11

**20****AquaClean™**

09-12

**OPTIONAL BRUSHES**

Brush Assembly Description	16"	18"
Nylon Brush Assembly	56265044	56265099
Blue Brush Assembly	56265175	56265177
240 Grit Brush Assembly	56265176	56265178

**ACCESSORY TOOLS**

<b>Ref. No.</b>	<b>Description</b>
56314402	Wand Assembly w/Soft and Hard Floor Tools
56265173	Wand Assembly w/Soft Floor Tool
56262209	Stand Up Wand
56220109	Hand Tool
56380377	Spray Tip (for 56220109)
56220070	Upholstery Hand Tool
56265174	15' Hose w/Waterline
56265112	Locking Extension Cord
56265368	8' Hose w/Waterline
56265150	Hard Floor Tool
56265309	Plug Adaptor Kit
56265305	Drag Wand
56265306	Scrub N Vac Wand
56250314	14" Scrub/Vac Tool





**Advance**

14600 21st Avenue North  
Plymouth, MN 55447-3408

[www.advance-us.com](http://www.advance-us.com)

Phone: 800-989-2235

Fax: 800-989-6566

©2010 Nilfisk-Advance, Inc.

---

**A Nilfisk-Advance Brand**