



Electronic Service Manuals

This electronic document is provided as a service to our customers. We do not create the contents of the information contained in this document. Should you have detailed questions pertaining to the information contained in this document, you may contact Michco, or the manufacturer which provided the original information in this electronic deliverable. Michco's only part in this electronic deliverable was the electronic assembly process. By providing this manual on line we are not guaranteeing parts availability.

You may contact Michco through the following methods:

Phone (517) 484-9312 or (800) 331-3339

2011 N. High St. -- Lansing, Michigan -- 48906

Fax: (517) 484-9836

Email: CustServe@Michco.com

Web site: www.Michco.Com

Parts Web site: www.FloorMachineParts.Com

Order Parts on Line at:

www.FloorMachineParts.Com

Directly to Parts & Service:

By Email: **Shop@Michco.com**

By Fax: (517) 702-2041

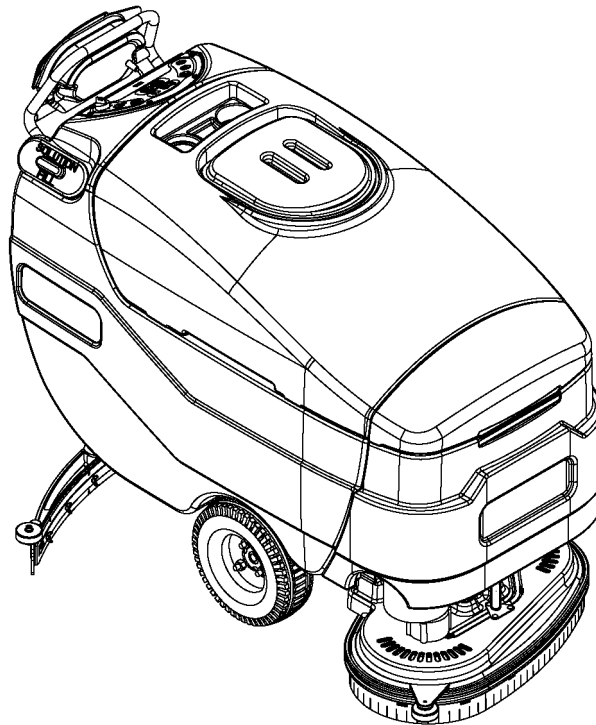
By Voice: Use numbers above.

Serving the Cleaning Industry Since 1922

Notice: All copyrighted material remains property of original owners, all trademarks are property of respective owners. Manuals are subject to Manufacturer's reproduction limitations. Originals or reproductions were provided by manufacturers through a request. We make no warranty as to the correctness of information provided in this document and you assume all risk. By placing these manuals on line we are not declaring our corporation to be an manufacturer authorized dealer or provider, please check our web site for authorized manufacturers we represent.

Warrior ST™, Warrior™ AXP

BA 755, BA 855



PARTS LIST

**Advance Models: 56315036(28D), 56315037(32D), 56315038(28C)
56315039(32C-C), 56315040, 56307250(X28D-C), 56315041(X32D-C)
56315538(28D-C), 56315539(32D-C), 56315540(28C-C),
56315541(X28C-C), 56315542(X32C-C)**

**Nilfisk Models: 56315042(755), 56315043(755C), 56315044(855)
56315045(755 EDS), 56315046(755C EDS), 56315047(855 EDS)**



**Nilfisk
Advance**

setting standards

4/05 revised 4/08 FORM NO. 56042463

DESCRIPTION	PAGE
Chassis System	2-3
Chassis System (Squeegee Linkage Assy before SN1926624)	4-5
Chassis System (Squeegee Linkage Assy after SN1926623)	6-7
Decal System	8-9
Recovery System	10-11
Scrub System-Disk	12-13
Scrub System-Cylindrical	14-15
Solution / Electrical System-1 (AXP™ / EDS™)	16-17
Solution / Electrical System-2 (AXP™ / EDS™)	18-19
Solution / Electrical System-1 (STD)	20-21
Solution / Electrical System-2 (STD)	22-23
Chemical Assembly (AXP™ / EDS™)	24-25
Paddle Assembly	26-27
Squeegee Assembly	28-29
Wiring Diagram	30-31
Optional Kits & Accessories	32
Brush Selector Guide-Disk	33
Brush Selector Guide-Cylindrical	34

WHEN ORDERING PARTS

- * Use the 8 digit numbers from the "Ref. No." columns in this parts list.
- * Specify the model and serial number of the machine.
- * Use the space below to record the model and serial number for future reference.

Model _____ Serial No. _____

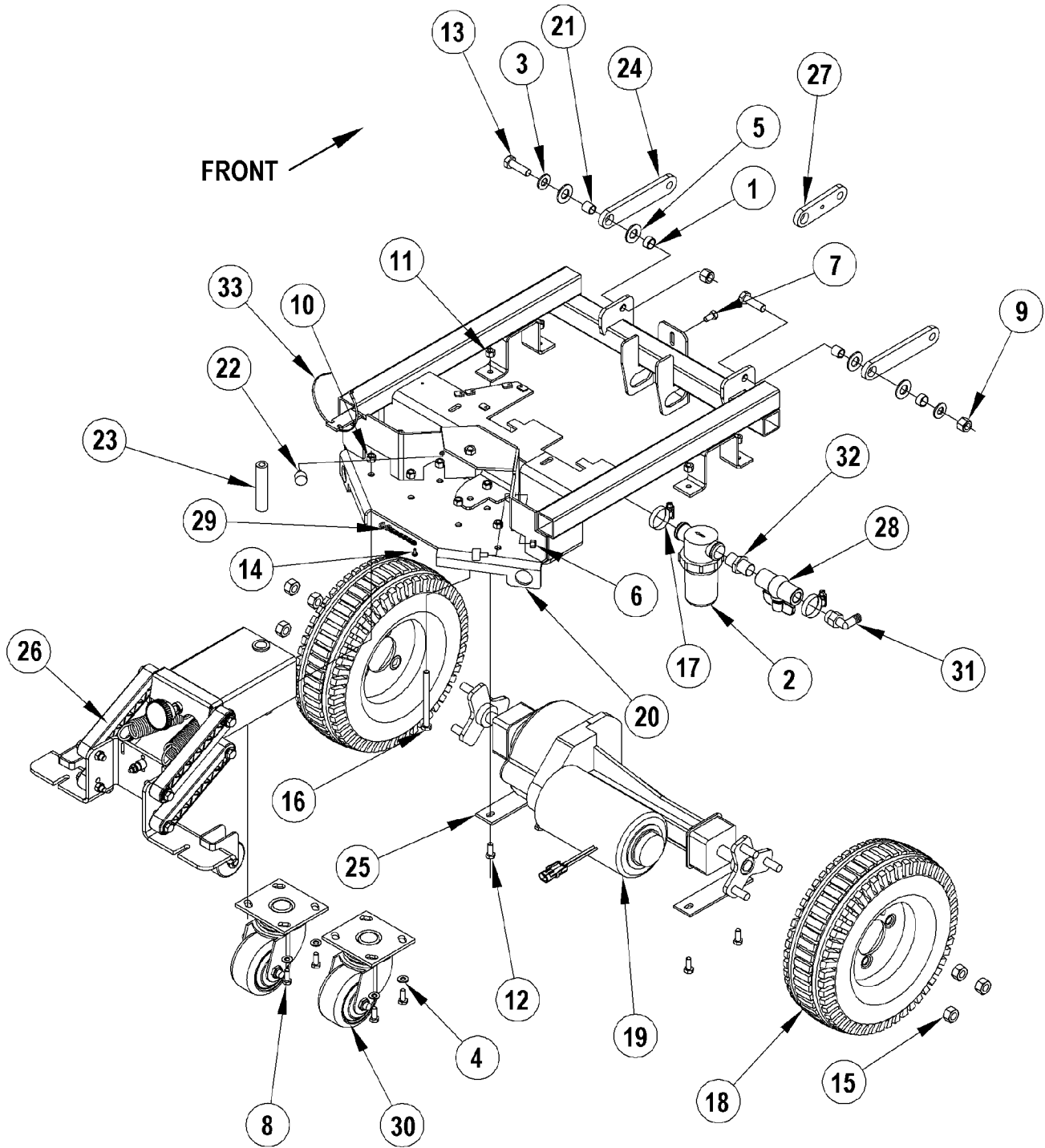
CHASSIS SYSTEM

05-4

2

Warrior ST™, Warrior™ AXP / BA 755, 855

05-5



05-4

CHASSIS SYSTEM

08-4

Warrior ST™, Warrior™ AXP / BA 755, 855**3**

Item	Ref. No.	Qty	Description
1	56370878	2	Bearing, Sleeve
2	56412173	1	Solution Filter
3	56001879	2	Wsh, Flt SAE 1/2
4	56001939	10	Wsh, Flt SAE 5/16
5	56002022	4	Wsh, Flt SAE 5/8
6	56002708	2	Nut, Hex Nyl Loc 1/4-20
7#	56003012	3	Scr, Hex SS 5/16-18 X .75
8	56003179	8	Scr, Hex Thd To Hd M8-1.25 X 20mm
9	56003312	2	Nut, Hex Nyl Loc M12-1.75
10	56003389	8	Nut, Hex Nyl Loc M8-1.25
11	56003405	4	Nut, Hex Nyl Loc SS M8-1.25
12	56003435	4	Scr, Hex SS M8-1.25 X 20mm
13	56003637	2	Scr, Hex M12-1.75 X 40mm
14	56009030	1	Scr, Pan Phil Thd Form 10-24 X .38
15	56009116	6	Nut, Hex Hvy 1/2-20
16	56009241	1	Scr, Hex 3/8-16 X 4.25
17	56131601	2	Clamp, Hose SAE #16
18	56315118	2	Wheel, Drive TSBUS2006-949
	9096219000	2	Wheel, Polyurethane-Traction (optional)
19	56315063	1	Transaxle, 36v (M1)
*	56315676	1	Motor
*	56315677	4	Carbon Brush
*	56315678	2	Neoprene Mounting Sleeve
20	56315073	1	Weldment, Chassis
21	56315080	2	Bushing
22	56315111	2	Cylindrical Mount
23	56315154	1	Bushing, Spacer
24	56315179	2	Linkage Arm
25	56315202	2	Plate, Transaxle Mount
26	56315210	1	Assembly, Squeegee Linkage Large
27	56315239	1	Linkage Arm,
28	56315607	1	Ball Valve
29	56315691	1	Ground Chain
30	56365555	2	Caster Swivel 4.0x2.0
31	56409152	1	Barb, 90 Elbow 1/2 X 1/2npt
32	56412182	1	Nipple, Hex 3/4-14
33	56478523	1	Tie, Cable

* = Not Shown

= Revised or new since last update

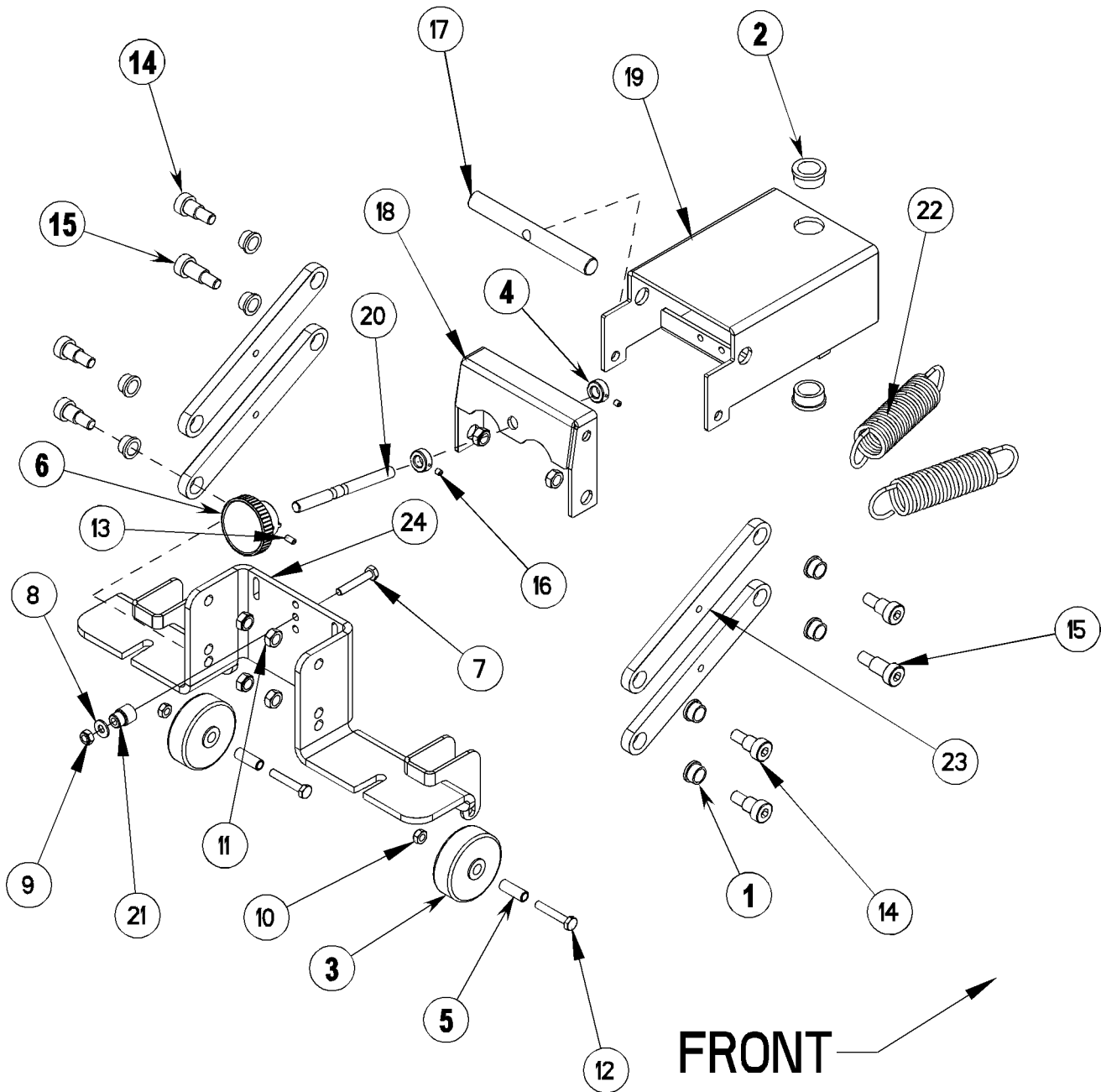
CHASSIS SYSTEM (squeeze linkage assy before SN1926624)

05-4

4

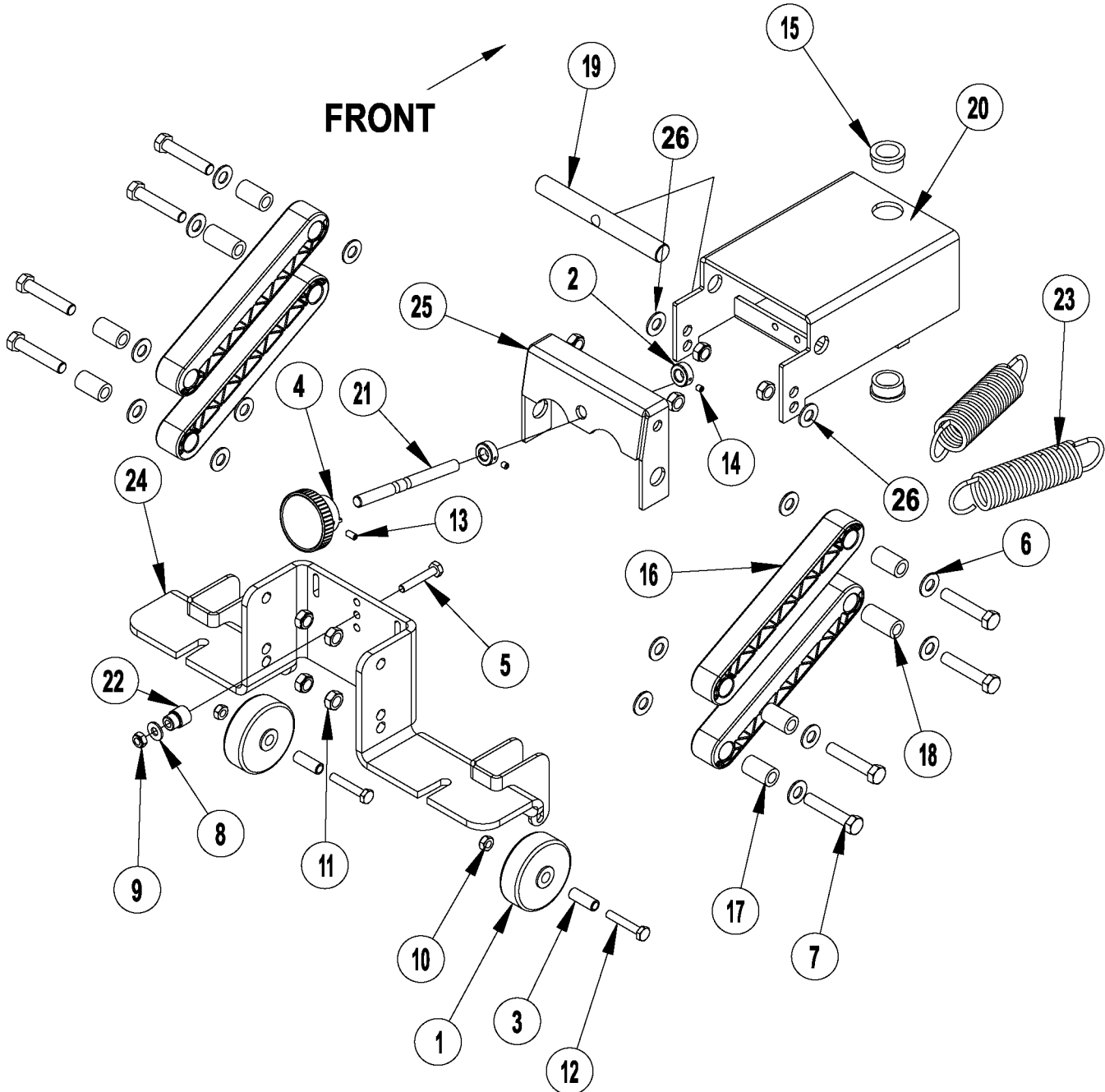
Warrior ST™, Warrior™ AXP / BA 755, 855

06-6



05-4	CHASSIS SYSTEM (squeegee linkage assy before SN1926624)		
06-6	Warrior ST™, Warrior™ AXP / BA 755, 855		5

Item	Ref. No.	Qty	Description
	56315210	1	Squeegee Linkage Assembly
1	56185264	8	Bearing, Flange
2	56250414	2	Bearing, Flange
3	56324350	2	Wheel
4	56331076	2	Collar
5	56315580	2	Bushing
6	56475480	1	Knob
7	56001833	1	Scr, Hex 1/4-20 X 1.50
8	56002098	1	Wsh, Flt SAE 1/4
9	56002840	1	Nut, Hex Nyl Loc-Thin 1/4-20
10	56002850	2	Nut, Hex Nyl Loc-Thin SS 1/4-20
11	56002852	8	Nut, Hex Nyl Loc-Thin SS 3/8-16
12	56002901	2	Scr, Hex SS 1/4-20 X 1.50
13	56003123	1	Scr, Soc Set 10-2 4x .38
14	56003682	6	Scr, Soc Shd .50 X .50 X 3/8-16
15	56003692	2	Scr, Soc Shd .50 X .75 X 3/8-16
16	56009084	2	Scr, Soc Set Loc 10-24 X .19
17	56315082	1	Pin
18	56315180	1	Bracket, Squeegee Level
19	56315208	1	Weldment, Squeegee Large
20	56315240	1	Rod, Adjustment
21	56315245	1	Bushing, Squeegee Cable
22	56315295	2	Spring, Extension
23	56315338	4	Linkage Arm
24	56315698	1	Weldment, Squeegee Mount TSBUS2006-915



05-4	CHASSIS SYSTEM (squeegee linkage assy after SN1926623)		
08-4		Warrior ST™, Warrior™ AXP / BA 755, 855	7

Item	Ref. No.	Qty	Description
	56315210	1	Squeegee Linkage Assembly
1	56324350	2	Wheel
2	56331076	2	Collar
3	56315580	2	Bushing
4	56475480	1	Knob
5	56001833	1	Scr, Hex 1/4-20 X 1.50
6	56002063	14	Wsh, Flt SAE 3/8
7	56002091	8	Scr, Hex 3/8-16 X 2.00
8	56002098	1	Wsh, Flt SAE 1/4
9	56002840	1	Nut, Hex Nyl Loc-Thin 1/4-20
10	56002850	2	Nut, Hex Nyl Loc-Thin SS 1/4-20
11	56002852	8	Nut, Hex Nyl Loc-Thin SS 3/8-16
12	56002901	2	Scr, Hex SS 1/4-20 X 1.50
13	56003123	1	Scr, Soc Set 10-2 4x .38
14	56009084	2	Scr, Soc Set Loc 10-24 X .19
15	56250414	2	Bearing, Flange
16#	56315941	4	Linkage Arm, Molded
17	56315067	6	Spacer, Phenolic
18	56315068	2	Spacer, Phenolic
19	56315082	1	Pin
20	56315208	1	Weldment, Squeegee Large
21	56315240	1	Rod, Adjustment
22	56315245	1	Bushing, Squeegee Cable
23	56315295	2	Spring, Extension
24	56315698	1	Weldment, Squeegee Mount TSBUS2006-915
25	56315713	1	Bracket, Squeegee Level
26	56002940	2	Wsh, Flt SAE SS 5/8

= Revised or new since last update

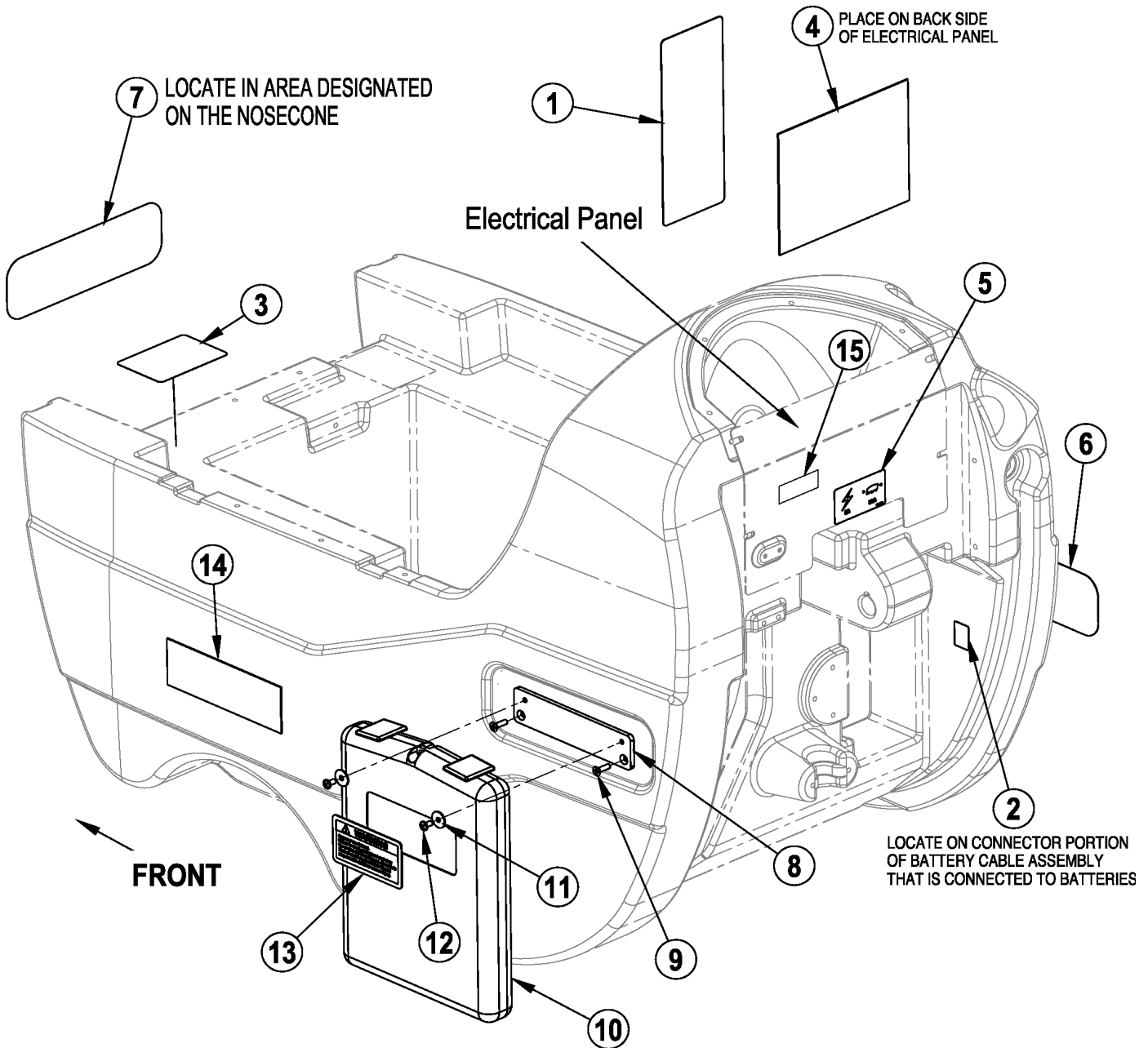
DECAL SYSTEM

05-4

8

Warrior ST™, Warrior™ AXP / BA 755, 855

08-4



05-4

DECAL SYSTEM

08-4

Warrior ST™, Warrior™ AXP / BA 755, 855**9**

Item	Ref. No.	Qty	Description
1	56014601	1	Decal, Caution
2	56016324	1	Decal, Charger
3	56015259	1	Decal, Battery Wiring
4	56016691	1	Decal, Ladder Diagram
5	56016690	1	Decal, Circuit Breaker
6	56016726	2	Decal, Warrior AXP (Advance only / qty of 1 on model 56307250)
	56016727	2	Decal, Warrior ST (Advance only)
	56016728	2	Decal, BA 755
	56016729	2	Decal, BA 855
	56016732	2	Decal, BA 755 EDS
	56016733	2	Decal, BA 855 EDS
7	56016730	1	Decal, Advance (Advance only)
	56016731	1	Decal, Nilfisk
8	56315954	1	Bracket (only used on Advance model 56307250)
9	56003086	2	Scr, Flt Phil SS 1/4-20 x .88 (only used on Advance model 56307250)
10	56306120	1	Box, Waterproof (only used on Advance model 56307250)
11	56009002	2	Wsh, Flt .266 x .906 x .060 (only used on Advance model 56307250)
12	56009069	2	Scr, Pan Phil Loc 1/4-20 x .50 (only used on Advance model 56307250)
13	56306144	1	Decal, Warning (only used on Advance model 56307250)
14	56315953	2	Decal (only used on Advance model 56307250)
15#	56014450	1	Decal, Patent Numbers

= Revised or new since last update

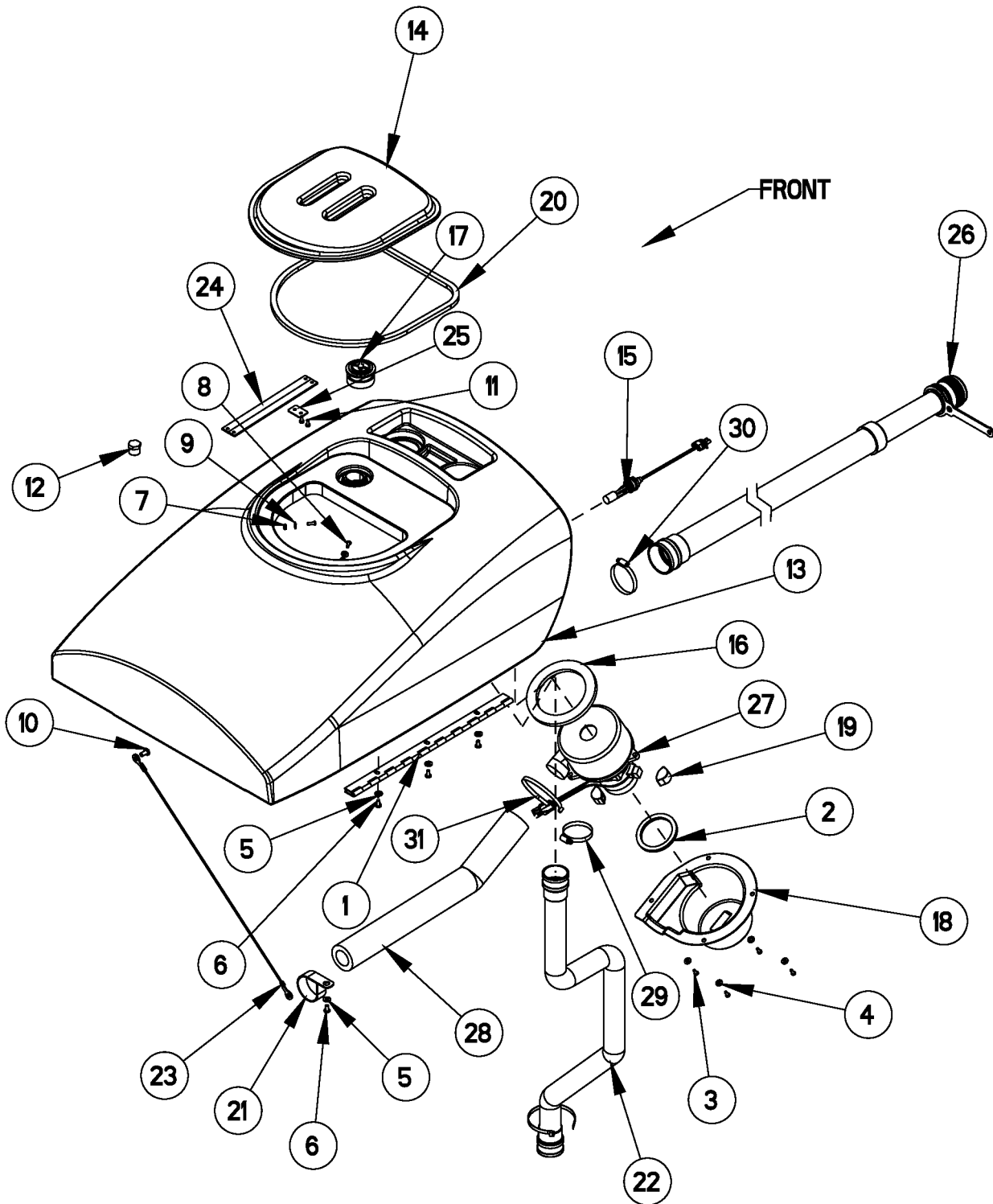
RECOVERY SYSTEM

05-4

10

Warrior ST™, Warrior™ AXP / BA 755, 855

08-4



05-4	RECOVERY SYSTEM		
08-4	Warrior ST™, Warrior™ AXP / BA 755, 855		11

Item	Ref. No.	Qty	Description
1	56315694	1	Hinge
2	56412154	1	Gasket, Vacuum Duct
3	56001993	4	Scr, Pan Phil 10-24 X .50
4	56002053	4	Wsh, Flt STD #10
5	56002098	4	Wsh, Flt SAE 1/4
6	56002145	4	Scr, Pan Phil 1/4-20 X .50
7	56002849	2	Nut, Hex Nyl Loc-Thin Ss 10-24
8	56002896	2	Scr, Pan Phil SS 10-24 X .62
9	56002919	2	Wsh, Flt STD SS #10
10	56003003	1	Scr, Pan Phil 5/16-18 X .62
11	56009005	2	Scr, Pan Phil SS Type B 10-16 X .75
12#	56305464	1	Plug, 3/4 Hex Pipe NOTE 1
13	56315406	1	Tank, Recovery (grey) TSBUS2006-938 / TSBUS2007-952
	56315428	1	Tank, Recovery (green / Advance model 56307250 only)
14	56315176	1	Cover, Recovery Tank
15	56315096	1	Switch, Electromagnetic
16	56315098	1	Gasket
17	56315099	1	Screen, Fan Inlet
18	56315102	1	Shroud, Vac Motor
19	56315141	3	Mount, Vibration
20	56315220	1	Gasket, Recovery Lid
21	56315257	1	Clamp, P
22	56315268	1	Vac Hose Assy.
23	56315272	1	Cable Assy
24	56315303	2	Retaining, Strap
25	56315346	1	Plate
26#	56601405	1	Drain Hose NOTE 2
*#	56601411	1	Drain Hose Cap Kit
*#	56601413	1	Drain Hose kit NOTE 2
27	56391208	1	Vac Motor Assy (M4)
*	56377001	1	Carbon Brush Set of 2
28	56315375	1	Foam, Acoustical
**	56315597	1	Sound Reduction Kit
29	56440213	1	Clamp, Hose SAE #32
30	56456797	1	Clamp, Hose SAE #36
31	56477613	2	Tie, Cable

* = Not Shown

** = Optional (Not Included)

= Revised or new since last update

NOTE 1: Not used after March 2008.

NOTE 2: Drain Hose 56315638 has been replaced by Drain Hose 56601405 in production. When replacing 56315638 you need to order Drain Hose Kit 56601413.

Item	Ref. No.	Qty	Description	Item	Ref. No.	Qty	Description
1	56002959	3	Pin, Cotter Hair	26	56396080	1	Lug, Counterclockwise (33-40)
2#	56324350	1	Wheel (28 / BA 755)	27	56396081	1	Lug, Clockwise (33-40)
3	56001879	2	Wsh, Flt SAE 1/2	28	56396195	1	Hose, PVC .38id X 6.00
4	56002910	8	Wsh, Flt SAE SS 3/8	29	56397300	1	Tee, Barb
5	56002938	7	Wsh, Flt SAE SS 5/16	30	56397301	1	Hose, PVC .375
6	56003120	2	Pin, Cotter Hair .0915 X .375	31	56397316	2	Motor / Gear Unit Assembly 36v (M2 / M3)
7	56003335	2	Scr, Hex Loc SS 5/16-18 X .88	*	56397139	4	Carbon Brush
8	56003338	8	Scr, Hex Loc SS 3/8-16 X .75	*	56397138	4	Brush Spring
9	56003438	4	Nut, Hex Nyl Loc SS M10-1.5	32	NA	NA	See Brush Selector Guide
10#	56003472	1	Scr, Soc Shd .38 X 1.00 X 5/16-18 (28 / BA 755)	#	56505808	2	Brush Midlite 14 (Advance model 56307250 only)
11	56003477	6	Scr, Hex Loc SS M8-1 X 25mm	33	56002938	3	Wsh, Flt SAE SS 5/16
12	56003533	4	Scr, Hex SS M10-1.5 X 20mm	34	56003405	3	Nut, Hex Nyl Loc SS M8-1.25
13	56003679	2	Pin, Ring .50 X 1.63	35	56003436	3	Scr, Hex Hd SS M8-1.25 x 25mm
14	56003693	3	Rivet, Nylon Tree Push-In (.218)	36	56009030	1	Scr, Pan Phil Thd Form 10-24 x .38
15	56009022	2	Wsh, Flt .754 X 1.250 X .120	37	56009096	1	Wsh, Flt .193 x .875 x .060
16	56009107	2	Wsh, Flt SS .378 X 1.000 X .120	38	56407053	2	Thermoid Disk
17#	56314108	2	Hub, Drive	39	56314030	1	Brush Holder
18	56315588	1	Scrub Deck, Disc, Cast (28 / BA 755) NOTE 1	40	56397081	1	Spring Retainer
#	56315859	1	Scrub Deck, Disc, Cast (32" / BA 855) NOTE 1	41#	56315373	2	Weld't, Deck Mount Brkt NOTE 1
19	56315161	1	Pin	42	56002769	4	Nut, Hex Nyl Loc 3/8-16 NOTE 1
20	56315719	1	Weld't, Actuator Bracket NOTE 1	43	56315759	1	Band Clamp (28" / BA 755)
21	56315274	1	Skirt, Rubber (28" / BA 755)		56315761	1	Band Clamp (32" / BA 855)
	56315626	1	Skirt, Rubber (32" / BA 855)	44#	56002880	1	Scr, Hex Loc SS 1/4-20 X 1.75 (32" / BA 855)
22	56315754	1	Bumper, Extruded (28" / BA 755) NOTE 2	45#	56002859	2	Wsh, Flt SAE SS 1/4 (32" / BA 855)
	56315755	1	Bumper, Extruded (32" / BA 855) NOTE 2	46#	56315580	1	Bushing, Stainless (32" / BA 855)
23	56315339	1	Bracket	47#	56049261	1	Wheel (32" / BA 855)
24	56315648	2	Shroud, Motor	48#	56002850	1	Nut, Hex Nyl Loc-Thin Ss 1/4-20 (32" / BA 855)
25	56355488	2	Clamp, Hose SAE #96				

* = Not Shown

= Revised or new since last update

NOTE 1: The Deck Casting (item #18) has been redesigned. The old style castings (56315053 - 28"/BA 755 & 56315052 - 32"/BA 855) are no longer available. If you have a machine built prior to this change (**old style deck assembly DOES NOT include item 41**) and need to replace one of these deck castings you need to order one of the kits listed below. These kits include items (9, 12, 14, 18, 20, 41, 42).

Old Deck	Order Kit
56315053 (28"/BA 755)	56315727
56315052 (32"/BA 855)	56315728

NOTE 2: Extruded Bumpers PNs 56315318 & 56315627 are obsolete. If you need to replace one of these bumpers please order one of the kits listed below.

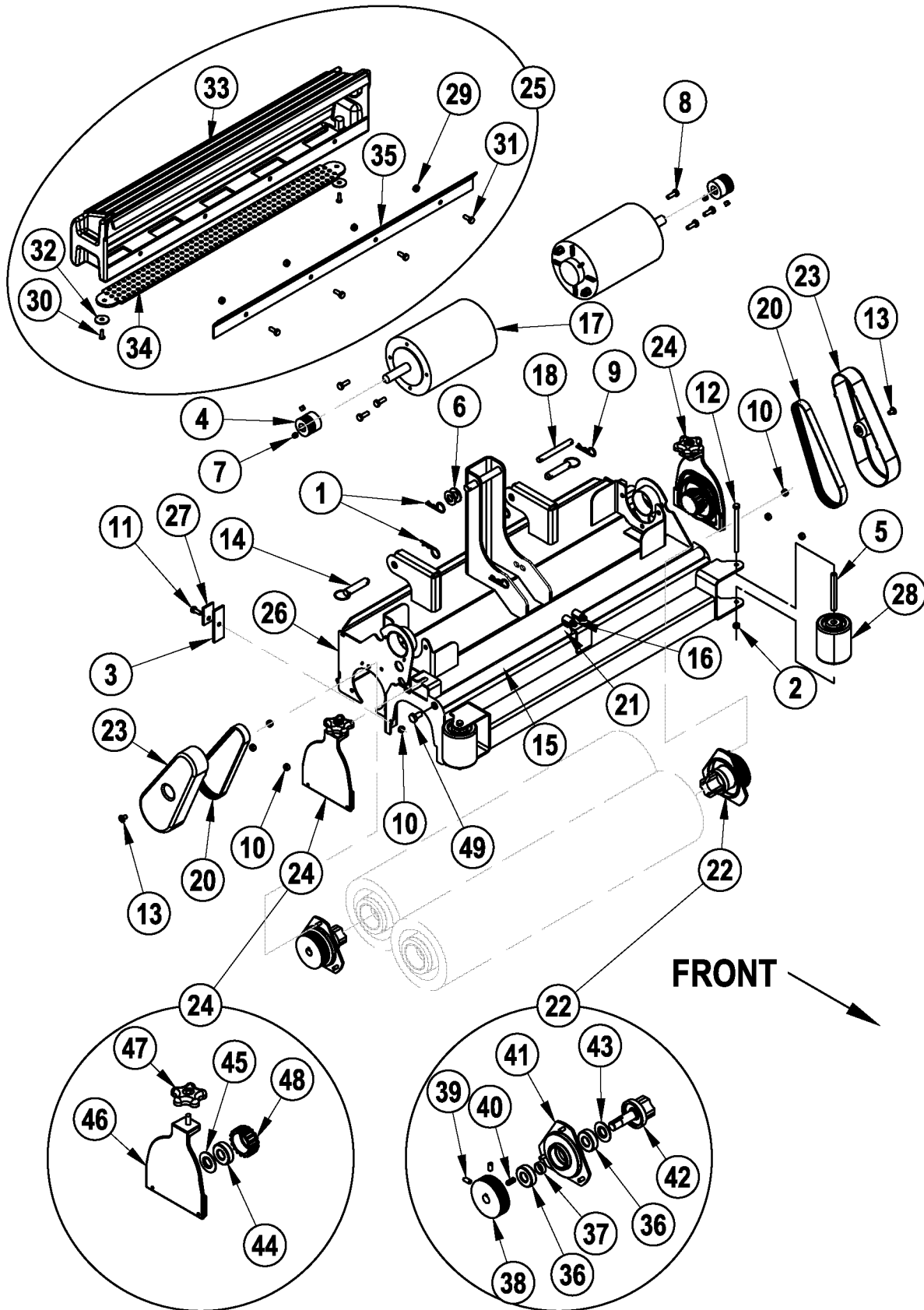
Old Bumper	Order Kit
56315318 (28"/BA 755)	56315764
56315627 (32"/BA 855)	56315765

SCRUB SYSTEM-CYLINDRICAL

05-4

14

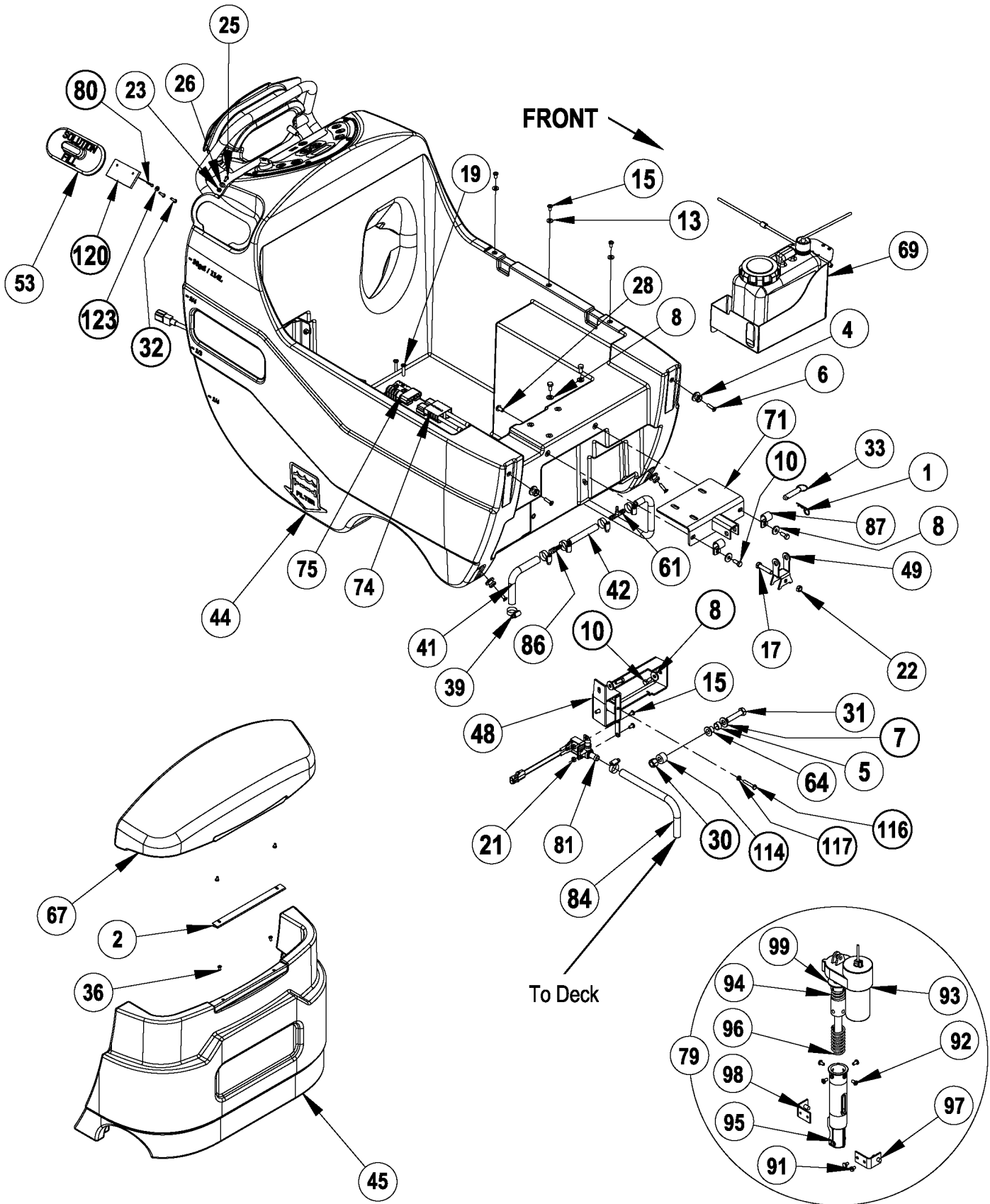
Warrior ST™, Warrior™ AXP / BA 755, 855



Item	Ref. No.	Qty	Description
1	56002959	3	Pin, Cotter Hair
2	56003403	2	Nut, Hex Nyl Loc M6-1.00
3	56407391	2	Blade
4	56407433	2	Sheave, Poly-V
5	56412176	2	Bushing
6	56001879	6	Wsh, Flt SAE 1/2
7	56002086	4	Scr, Soc Set Loc 5/16-18x.25
8	56002948	6	Scr, Hex Hd Loc 1/4-20x.75
9	56003120	2	Pin, Cotter Hair .0915 X .375
10	56003426	8	Nut, Hex Nyl Loc SS M6x1.0
11	56003431	2	Scr, Hex Hd SS M6-1.0x16mm
12	56003492	2	Scr, Hex M6-1.0x95mm
13	56003603	2	Scr, Pan Phil Thd Form 1/4-20x.38
14	56003679	2	Pin, Ring .50 X 1.63
15	56315355	2	Manifold, PVC (28" / BA 755)
#	56315647	2	Manifold, PVC (32" / Advance only)
16	56219932	2	Clamp, Hose SAE #6
17	56315611	2	Motor, 36 Vdc, .75 Hp, 1800 RPM (M2 / M3)
*	56412287	1	Brush / Spring Kit
18	56315161	1	Pin
19	56315320	2	Harness, Brush (Not Shown)
20	56315321	2	Belt, Auto Tension
21	56262549	1	Tee, Barb
22	56315408	2	Drive End Assy (#36-43)
23	56315445	2	Cover, Belt
24	56315448	2	Idler End Assy (#44-48)
25	56315459	1	Hopper Assembly (28"/BA 755 / #29-35))
#	56315616	1	Hopper Assembly (32"/Advance only / #29-35)
26	56315470	1	Housing, Weld't (28"/BA 755)
#	56315620	1	Housing, Weld't (32" / Advance only)
27	56410214	2	Strap
28	56412459	2	Wheel
29	56003426	4	Nut, Hex Nyl Loc SS M6-1.00
30	56002896	2	Scr, Pan Phil SS 10-24 x .62
31	56003431	4	Scr, Hex Hd SS M6-1.00 x 16mm
32	56009060	2	Wsh, Flt SS .260 x 1.00 x .074
33	56315460	1	Hopper (28"/BA 755)
#	56315621	1	Hopper (32" / Advance only)
34	56315464	1	Hopper Screen (28"/BA 755)
#	56315618	1	Hopper Screen (32" / Advance only)
35	56315467	1	Hopper Bracket (28"/BA 755)
#	56315617	1	Hopper Bracket (32" / Advance only)
36	56106070	2	Bearing, Ball
37	56407389	1	Spacer
38	56407442	1	Sheave, Poly-V
39	56002119	2	Scr, Soc Set Loc 1/4-20 x .50
40	56003237	1	Key, Sq., 19 x .62
41	56315405	1	Bearing Plate
42	56407557	1	Spindle
43	56407558	1	Washer, Bearing
44	56106070	1	Bearing, Ball
45	56407558	1	Washer, Bearing
46	56315447	1	Idler Bearing Plate
47	56396254	1	Knob
48	56407551	1	Hub
49	56002992	2	Scr, Hex SS 5/16-18 x .50

* = Not Shown

= Revised or new since last update

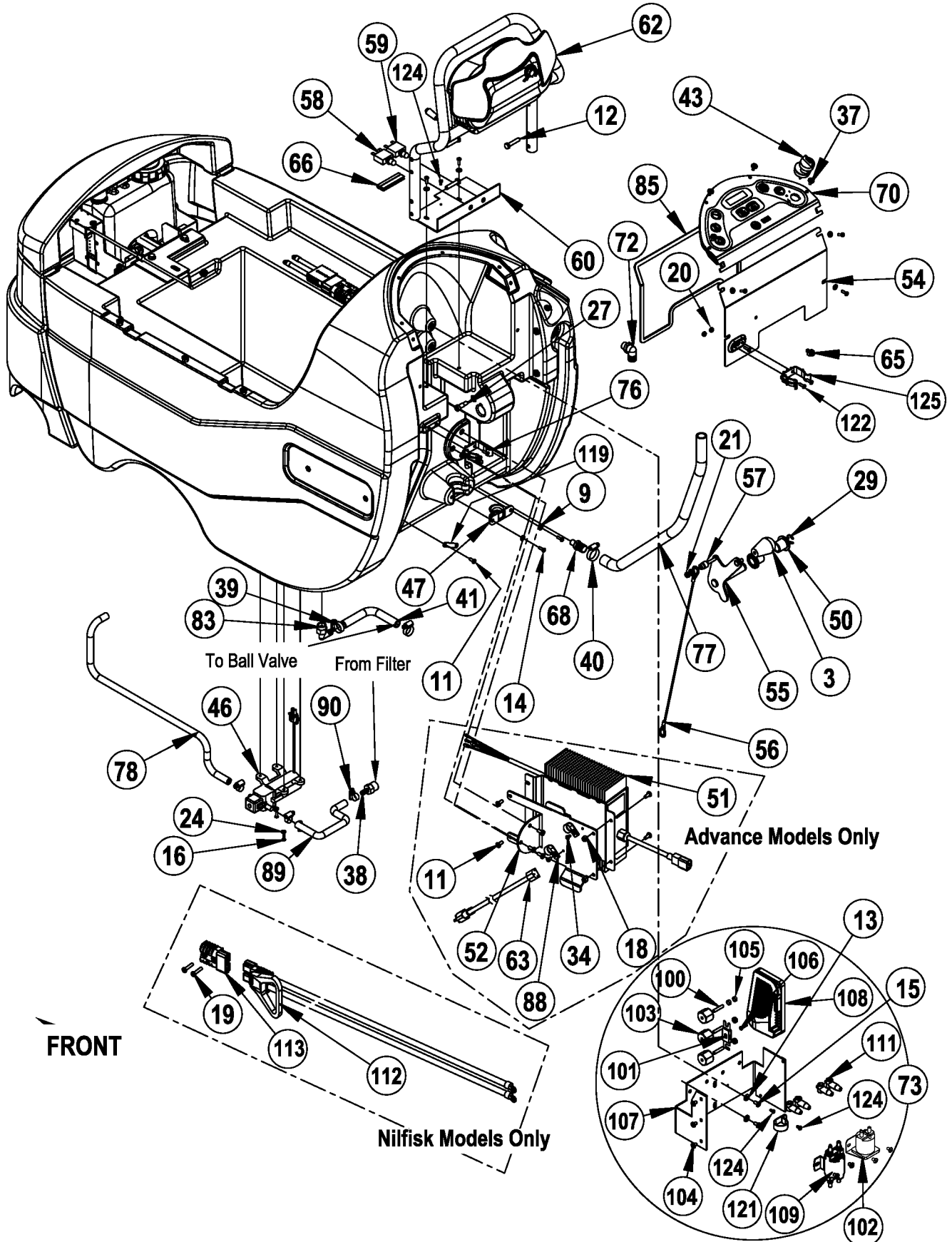


Item	Ref. No.	Qty	Description	Item	Ref. No.	Qty	Description
1	56002959	1	Pin, Cotter Hair	62	56315266	1	Assembly, Paddle TSBUS2007-958
2	56302168	1	Hinge	63	56315270	1	Charger Cord, US (Advance only)
3	56364527	1	Knob	64	56315380	1	Bushing
4	56365777	4	Lug, Brush Driver	65	56315382	1	Clip, Conduit
5	56370878	1	Bearing, Sleeve	66	56315532	1	Gasket
6	56001832	4	Scr, Flt Phil 1/4-20 X 1.00	67	56315609	1	Cover, Chemical Tank (grey)
7	56001879	1	Wsh, Flt SAE 1/2	68	56315432	1	Cover, Chemical Tank (green / Advance model 56307250 only)
8	56009122	7	Wsh, Flt .344 X .938 X .125	69	56315634	1	Barb, Adaptor 3/4 X 1/2 Npt
9	56001954	11	Wsh, Flt SAE #10	70	56315645	1	Chemical Tank Assy
10	56002667	7	Scr, Hex 5/16-18 X .75	71	56315657	1	Control Panel Assy - Fm TSBUS2007-952 / TSBUS2007-958
11	56002066	8	Scr, Pan Phil 1/4-20 X .62 (Advance only)	72	56315744	1	Weldment, Actuator Mount TSBUS2006-940
12	56002094	4	Scr, Hex 5/16-18 X 1.50	73	56315683	1	Barb, 90 Elbow 3/4 X 3/8npt
13	56002098	6	Wsh, Flt SAE 1/4	74	56315684	1	Assembly, Electrical Box (34, 100-111 & 121)
14	56002124	10	Scr, Pan Phil 10-24 X .62	75	56315686	1	Charge Connector Assy (Advance only / to batteries)
15	56002145	7	Scr, Pan Phil 1/4-20 X .50	76#	56315687	2	Charge Connector Assy (Advance only / to electrical box)
16	56002146	3	Scr, Pan Phil 8-32 X .62	77	56331154	1	Clamp, Plastic
17	56002684	1	Scr, Hex 3/8-16 X 1.75	78	56379139	1	Hose, PVC
18	56002708	4	Nut, Hex Nyl Loc 1/4-20 (Advance only)	79	56391802	1	Hose, Spiral .375
19	56002825	2	Scr, Pan Phil 1/4-20 X 1.25	80#	56396049	1	Lift Actuator Assembly (91-99)
20	56002832	2	Nut, Hex Nyl Loc-Thin 10-24	81	56410254	1	Wire Rope, 6 Inch TSBUS2007-967
21	56002840	3	Nut, Hex Nyl Loc-Thin 1/4-20	82	56397215	1	Solenoid Valve Assy. 36v
22	56002841	1	Nut, Hex Nyl Loc-Thin 3/8-16	83	56409152	1	Barb, 90 Elbow 1/2 X 1/2npt
23	56002849	1	Nut, Hex Nyl Loc-Thin Ss 10-24	84	56409462	1	Hose, Spiral .500
25	56002896	1	Scr, Pan Phil SS 10-24 X .62	85	56412285	1	Gasket, Elect. Cover
26	56002919	1	Wsh, Flt Std Ss #10	86	56418669	1	Reducer, Barb
27	56002962	1	Scr, Soc Shd .38 X .62 X 5/16-18	87	56469380	2	Clamp, P
28	56003003	1	Scr, Pan Phil 5/16-18 X .62	88	56486112	2	Clamp, P (Advance only)
29	56003266	1	Ring, Ret Ext Type E 0.75 Dia.	89	56249682	1	Spiral, Hose X .375
30	56003312	1	Nut, Hex Nyl Loc M12-1.75	90	56756364	6	Clamp, Hose SAE #4
31	56003708	1	Scr, Hex M12-1.75 X 35mm	91	56009019	2	Scr, Hex Thd Form 1/4-20 X .38
32#	56009006	2	Scr, Pan Phil SS Type B 10-16 X 1.00	92	56009062	4	Scr, Pan Phil Thd Form 1/4-20 X .50
33	56003679	1	Pin, Ring .50 X 1.63	93	56393303	1	Actuator, Motor (M5)
34	56009030	2	Scr, Pan Phil Thd Form 10-24 X .38 (Advance only)	94	56388520	1	Plastic Nut
36	56009139	4	Scr, Pan Phil Loc 10-24 X .38	95	56412071	1	Compression Spring
37	56009206	4	Scr, Truss Phil-Blk 10-24x.50	96	56412262	1	Housing, Spring
38	56051207	1	Barb, Adapter 3/8 X 1/2 Npt	97	56420018	1	Compression Spring
39	56219932	5	Clamp, Hose SAE #6	98	56420019	1	Nut Retainer
40	56244969	1	Clamp, Hose SAE #12	99	56420020	1	Nut Retainer
41	56262180	2	Hose, Spiral .500	100	56396268	1	Spring Housing Guide
42	56302015	1	Hose, Spiral .375	101	56009203	3	Stud, 1/4-20
43	56303553	1	Key Switch Assy (S3)	102#	56412089	1	Fuse, 150 Amp
*	56303526	A/R	Set of 2 Keys	103	56395455	1	Contacto 36v (K2 / Vac Motor)
	56315434	1	Key Switch Assy (Advance model 56307250 only)	104	56469858	3	Standoff, Insulated
	56508699	A/R	Replacement Key (Advance model 56307250 only)	105	56002462	7	Scr, Pan Phil 1/4-20 X .38
44	56315733	1	Tank, Solution (grey) TSBUS2006-940	106	56002561	4	Nut, Hex W/ Shprf 1/4-20
	56315429	1	Tank, Solution (green / Advance model 56307250 only)	107	56003698	2	Scr, Pan Phil Thd Form 8-32 X .75
45	56315087	1	Nose Cone (grey)	108	56315629	1	Panel, Electrical
	56315433	1	Nose Cone (green / Advance model 56307250 only)	109	56315692	1	Controller, Speed TSBUS2007-958
46	56315108	1	Pump, Solution (M5)	110	56397250	1	Solenoid, Spdt 36v (K1 / Brush Motor)
47	56315121	1	Guide, Cable	111	56409538	4	Insulator, Terminal
48	56315736	1	Pivot Weld't. TSBUS2006-940	112	56398000	1	Connector Assy (Nilfisk only / to batteries)
49	56315191	1	Yoke, Actuator	113	56315687	1	Charge Connector Assy (Nilfisk only / to electrical box)
50	56315193	2	Bushing, Flange	114	56315479	1	Bushing
51#	56315204	1	Charger, On-Board 36v (Advance only) NOTE 1	115			Intentionally Omitted
*	56315747	1	Thermister Repair Kit for 56315204 (Advance only)	116	56003709	1	Scr, Hex Thd to Hd 1/4-20 x 1.50
52	56315206	1	Bracket, Charger (Advance only)	117	56009087	1	Nut, Hex Jam 1/4-20
53#	56315219	1	Cover, Solution Fill TSBUS2007-967	118			Intentionally Omitted
54	56315222	1	Panel, Electrical	119	56249884	1	Plate
55	56315236	1	Weldment, Squeegee Lift	120	56315166	1	Plate
56	56315243	1	Cable Assy	121	56410166	1	Clamp, P
57	56315245	1	Bushing, Squeegee Cable	122	56001993	2	Scr, Pan Phil 10-24 x .50
58	56315255	1	Circuit Breaker, 5 Amp	123	56002916	2	Wsh, Flt SAE SS #10
59	56315256	1	Circuit Breaker, 30 Amp	124	56009030	3	Scr, Pan Phil Thd Form 10-24 X .38
60	56315259	1	Plate, Circuit Breaker	125#	56396199	1	Clamp, Plastic
61	56315265	1	Tee, Barb				

* = Not Shown

= Revised or new since last update

NOTE 1: Starting with Charger serial # CP360614027995 the charger software can be programmed with a computer and the QuiQ Programmer kit 56315732.

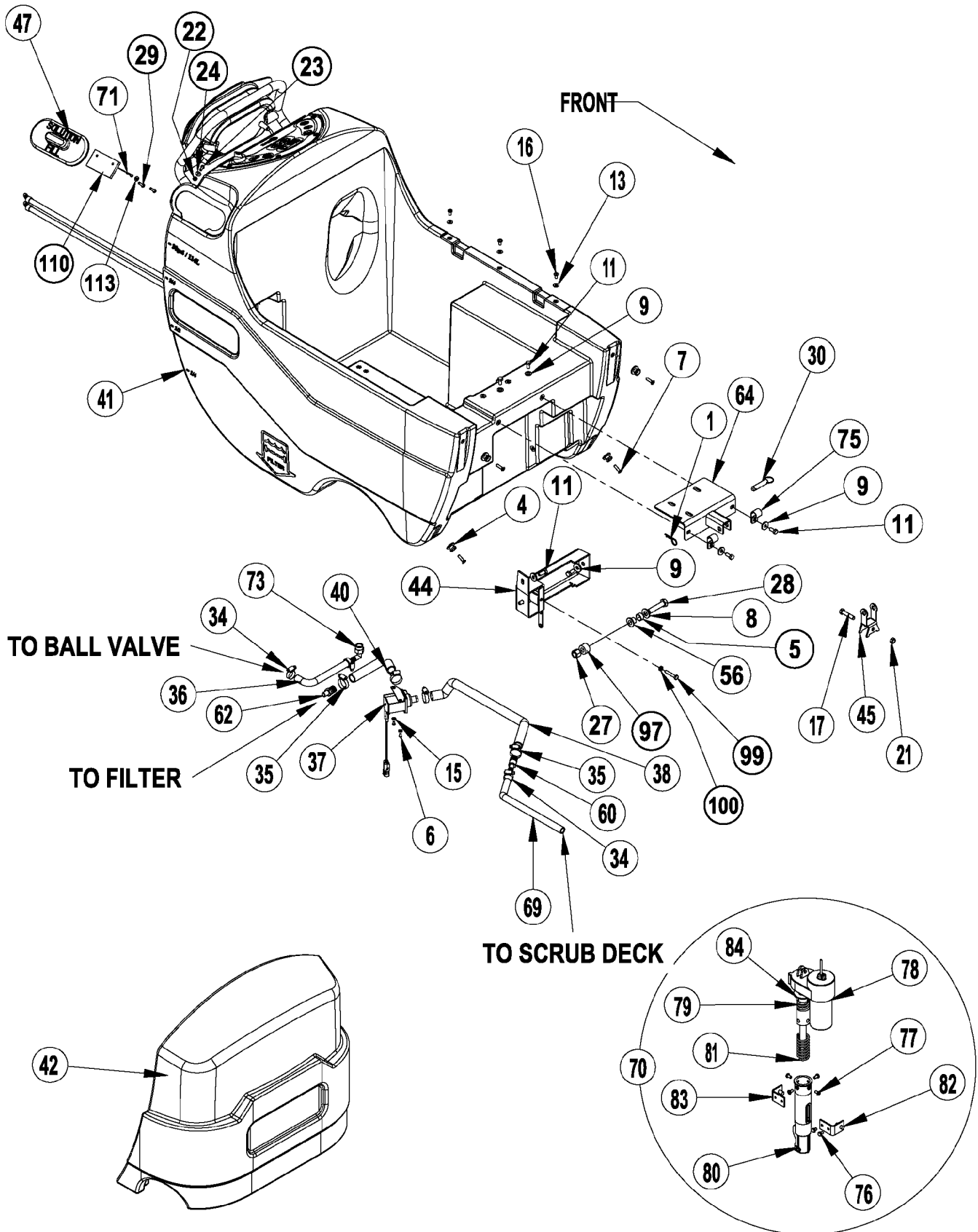


Item	Ref. No.	Qty	Description	Item	Ref. No.	Qty	Description
1	56002959	1	Pin, Cotter Hair	61	56315265	1	Tee, Barb
2	56302168	1	Hinge	62	56315266	1	Assembly, Paddle TSBUS2007-958
3	56364527	1	Knob	63	56315270	1	Charger Cord, US (Advance only)
4	56365777	4	Lug, Brush Driver	64	56315380	1	Bushing
5	56370878	1	Bearing, Sleeve	65	56315382	1	Clip, Conduit
6	56001832	4	Scr, Flt Phil 1/4-20 X 1.00	66	56315532	1	Gasket
7	56001879	1	Wsh, Flt SAE 1/2	67	56315609	1	Cover, Chemical Tank (grey)
8	56009122	7	Wsh, Flt .344 X .938 X .125		56315432	1	Cover, Chemical Tank (green / Advance model 56307250 only)
9	56001954	11	Wsh, Flt SAE #10	68	56315634	1	Barb, Adaptor 3/4 X 1/2 Npt
10	56002667	7	Scr, Hex 5/16-18 X .75	69	56315645	1	Chemical Tank Assy
11	56002066	8	Scr, Pan Phil 1/4-20 X .62 (Advance only)	70	56315657	1	Control Panel Assy – Fm TSBUS2007-952 / TSBUS2007-958
12	56002094	4	Scr, Hex 5/16-18 X 1.50	71	56315744	1	Weldment, Actuator Mount TSBUS2006-940
13	56002098	6	Wsh, Flt SAE 1/4	72	56315683	1	Barb, 90 Elbow 3/4 X 3/8npt
14	56002124	10	Scr, Pan Phil 10-24 X .62	73	56315684	1	Assembly, Electrical Box (34, 100-111 & 121)
15	56002145	7	Scr, Pan Phil 1/4-20 X .50	74	56315686	1	Charge Connector Assy (Advance only / to batteries)
16	56002146	3	Scr, Pan Phil 8-32 X .62	75	56315687	2	Charge Connector Assy (Advance only / to electrical box)
17	56002684	1	Scr, Hex 3/8-16 X 1.75	76#	56331154	1	Clamp, Plastic
18	56002708	4	Nut, Hex Nyl Loc 1/4-20 (Advance only)	77	56379139	1	Hose, PVC
19	56002825	2	Scr, Pan Phil 1/4-20 X 1.25	78	56391802	1	Hose, Spiral .375
20	56002832	2	Nut, Hex Nyl Loc-Thin 10-24	79	56396049	1	Lift Actuator Assembly (91-99)
21	56002840	3	Nut, Hex Nyl Loc-Thin 1/4-20	80#	56410254	1	Wire Rope, 6 Inch TSBUS2007-967
22	56002841	1	Nut, Hex Nyl Loc-Thin 3/8-16	81	56397215	1	Solenoid Valve Assy, 36v
23	56002849	1	Nut, Hex Nyl Loc-Thin Ss 10-24	83	56409152	1	Barb, 90 Elbow 1/2 X 1/2npt
25	56002896	1	Scr, Pan Phil SS 10-24 X .62	84	56409462	1	Hose, Spiral .500
26	56002919	1	Wsh, Flt Std Ss #10	85	56412285	1	Gasket, Elect. Cover
27	56002962	1	Scr, Soc Shd .38 X .62 X 5/16-18	86	56418669	1	Reducer, Barb
28	56003003	1	Scr, Pan Phil 5/16-18 X .62	87	56469380	2	Clamp, P
29	56003266	1	Ring, Ret Ext Type E 0.75 Dia.	88	56486112	2	Clamp, P (Advance only)
30	56003312	1	Nut, Hex Nyl Loc M12-1.75	89	56249682	1	Spiral, Hose X .375
31	56003708	1	Scr, Hex M12-1.75 X 35mm	90	56756364	6	Clamp, Hose SAE #4
32#	56009006	2	Scr, Pan Phil SS Type B 10-16 X 1.00	91	56009019	2	Scr, Hex Thd Form 1/4-20 X .38
33	56003679	1	Pin, Ring .50 X 1.63	92	56009062	4	Scr, Pan Phil Thd Form 1/4-20 X .50
34	56009030	2	Scr, Pan Phil Thd Form 10-24 X .38 (Advance only)	93	56393303	1	Actuator, Motor (M5)
36	56009139	4	Scr, Pan Phil Loc 10-24 X .38	*#	56388520	1	Plastic Nut
37	56009206	4	Scr, Truss Phil-Blk 10-24x.50	94	56412071	1	Compression Spring
38	56051207	1	Barb, Adapter 3/8 X 1/2 Npt	95	56412262	1	Housing, Spring
39	56219932	5	Clamp, Hose SAE #6	96	56420018	1	Compression Spring
40	56244969	1	Clamp, Hose SAE #12	97	56420019	1	Nut Retainer
41	56262180	2	Hose, Spiral .500	98	56420020	1	Nut Retainer
42	56302015	1	Hose, Spiral .375	99	56396268	1	Spring Housing Guide
43	56303553	1	Key Switch Assy (S3)	100	56009203	3	Stud, 1/4-20
*	56303526	A/R	Set of 2 Keys	101	56412089	1	Fuse, 150 Amp
	56315434	1	Key Switch Assy (Advance model 56307250 only)	102#	56395455	1	Contacto 36v (K2 / Vac Motor)
	56508699	A/R	Replacement Key (Advance model 56307250 only)	103	56469858	3	Standoff, Insulated
44	56315733	1	Tank, Solution (grey) TSBUS2006-940	104	56002462	7	Scr, Pan Phil 1/4-20 X .38
	56315429	1	Tank, Solution (green / Advance model 56307250 only)	105	56002561	4	Nut, Hex W/ Shprf 1/4-20
45	56315087	1	Nose Cone (grey)	106	56003698	2	Scr, Pan Phil Thd Form 8-32 X .75
	56315433	1	Nose Cone (green / Advance model 56307250 only)	107	56315629	1	Panel, Electrical
46	56315108	1	Pump, Solution (M5)	108	56315692	1	Controller, Speed TSBUS2007-958
47	56315121	1	Guide, Cable	109	56397250	1	Solenoid, Spdt 36v (K1 / Brush Motor)
48	56315736	1	Pivot Weld't. TSBUS2006-940	111	56409538	4	Insulator, Terminal
49	56315191	1	Yoke, Actuator	112	56398000	1	Connector Assy (Nilfisk only / to batteries)
50	56315193	2	Bushing, Flange	113	56315687	1	Charge Connector Assy (Nilfisk only / to electrical box)
51#	56315204	1	Charger, On-Board 36v (Advance only) NOTE 1 TSBUS2006-931 / TSBUS2007-979	114	56315479	1	Bushing
*	56315747	1	Thermister Repair Kit for 56315204 (Advance only)	115			Intentionally Omitted
52	56315206	1	Bracket, Charger (Advance only)	116	56003709	1	Scr, Hex Thd to Hd 1/4-20 x 1.50
53#	56315219	1	Cover, Solution Fill TSBUS2007-967	117	56009087	1	Nut, Hex Jam 1/4-20
54	56315222	1	Panel, Electrical	118			Intentionally Omitted
55	56315236	1	Weldment, Squeegee Lift	119	56249884	1	Plate
56	56315243	1	Cable Assy	120	56315166	1	Plate
57	56315245	1	Bushing, Squeegee Cable	121	56410166	1	Clamp, P
58	56315255	1	Circuit Breaker, 5 Amp	122	56001993	2	Scr, Pan Phil 10-24 x .50
59	56315256	1	Circuit Breaker, 30 Amp	123	56002916	2	Wsh, Flt SAE SS #10
60	56315259	1	Plate, Circuit Breaker	124	56009030	3	Scr, Pan Phil Thd Form 10-24 X .38
				125#	56396199	1	Clamp, Plastic

* = Not Shown

= Revised or new since last update

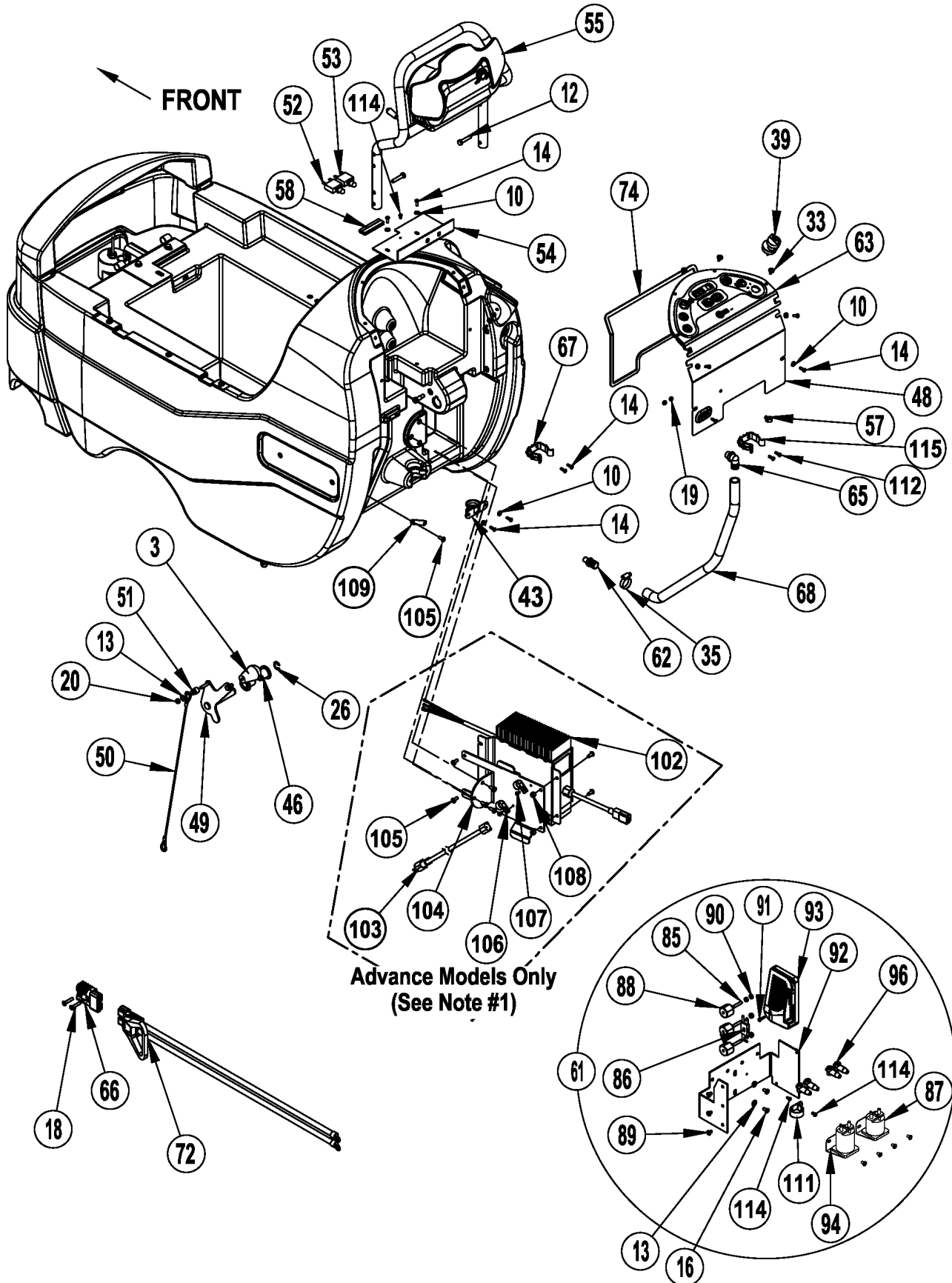
NOTE 1: Starting with Charger serial # CP360614027995 the charger software can be programmed with a computer and the QuiQ Programmer kit 56315732.



Item	Ref. No.	Qty	Description	Item	Ref. No.	Qty	Description
1	56002959	1	Pin, Cotter Hair	64	56315744	1	Weldment, Actuator Mount TSBUS2006-940
3	56364527	1	Knob	65	56315683	1	Barb, 90 Elbow 3/4 X 3/8npt
4	56365777	4	Lug, Brush Driver	66	56315687	1	Charge Connector Assy (To electrical box)
5	56370878	1	Bearing, Sleeve	67#	56331154	1	Clamp, Plastic
6	56001818	2	Scr, Pan Phil 8-32 X .38	68	56379139	1	Hose, PVC
7	56001832	4	Scr, Flt Phil 1/4-20 X 1.00	69	56387302	1	Hose, Solution
8	56001879	1	Wsh, Flt SAE 1/2	70	56396049	1	Lift Actuator Assembly (76-84)
9	56009122	7	Wsh, Flt .344 x .938 x .125	71#	56410254	1	Wire Rope, 6 Inch TSBUS2007-967
10	56001954	8	Wsh, Flt SAE #10	72	56398000	1	Connector Assy (To batteries)
11	56002667	7	Scr, Hex 5/16-18 X .75	73	56409152	1	Barb, 90 Elbow 1/2 X 1/2npt
12	56002094	4	Scr, Hex 5/16-18 X 1.50	74	56412285	1	Gasket, Elect. Cover
13	56002098	6	Wsh, Flt SAE 1/4	75	56469380	2	Clamp, P
14	56002124	10	Scr, Pan Phil 10-24 X .62	76	56009019	2	Scr, Hex Thd Form 1/4-20 X .38
15	56002140	2	Wsh, Flt SAE #8	77	56009062	4	Scr, Pan Phil Thd Form 1/4-20 X .50
16	56002145	5	Scr, Pan Phil 1/4-20 X .50	78	56393303	1	Actuator, Motor (M5)
17	56002684	1	Scr, Hex 3/8-16 X 1.75	#	56388520	1	Plastic Nut
18	56002825	2	Scr, Pan Phil 1/4-20 X 1.25	79	56412071	1	Compression Spring
19	56002832	2	Nut, Hex Nyl Loc-Thin 10-24	80	56412262	1	Housing, Spring
20	56002840	1	Nut, Hex Nyl Loc-Thin 1/4-20	81	56420018	1	Compression Spring
21	56002841	1	Nut, Hex Nyl Loc-Thin 3/8-16	82	56420019	1	Nut Retainer
22	56002849	1	Nut, Hex Nyl Loc-Thin SS 10-24	83	56420020	1	Nut Retainer
23	56002896	1	Scr, Pan Phil Ss 10-24 X .62	84	56396268	1	Spring Housing Guide
24	56002919	1	Wsh, Flt Std Ss #10	85	56009203	3	Stud, 1/4-20
25	56002962	1	Scr, Soc Shd .38 X .62 X 5/16-18	86	56412089	1	Fuse, 150 Amp
26	56003266	1	Ring, Ret Ext Type E 0.75 Dia.	87#	56395455	1	Contactor 36v (K2 / Vac Motor)
27	56003312	1	Nut, Hex Nyl Loc M12-1.75	88	56469858	3	Standoff, Insulated
28	56003708	1	Scr, Hex M12-1.75 X 35mm	89	56002462	7	Scr, Pan Phil 1/4-20 X .38
29#	56009006	2	Scr, Pan Phil SS Type B 10-16 X 1.00	90	56002561	4	Nut, Hex W/ Shprf 1/4-20
30	56003679	1	Pin, Ring .50 X 1.63	91	56003698	2	Scr, Pan Phil Thd Form 8-32 X .75
33	56009206	4	Scr, Truss Phil-Blk 10-24x.50	92	56315629	1	Panel, Electrical
34	56219932	3	Clamp, Hose SAE #6	93	56315692	1	Controller, Speed TSBUS2006-950
35	56244969	5	Clamp, Hose SAE #12	94#	56395453	1	Contactor 36v (K1 / Brush Motor)
36	56262180	1	Hose, Spiral .500	96	56409538	4	Insulator, Terminal
37	56303275	1	Solenoid Valve Assy	97	56315479	1	Bushing
38	56303394	1	Hose, Spiral .750 X 25"	98			Intentionally Omitted
39	56303553	1	Key Switch Assembly (S3)	99	56003709	1	Scr, Hex Thd to Hd 1/4-20 x 1.50
*	56303526	A/R	Set of 2 Keys	100	56009087	1	Nut, Hex Jam 1/4-20
40	56305318	1	Hose, Spiral .750 X 10.5"	101			Intentionally Omitted
41	56315733	1	Tank, Solution TSBUS2006-940	102#	56315204	1	Charger, Onboard 36V (Advance only) NOTE 1 / NOTE 2
42	56315639	1	Nose Cone				TSBUS2006-931 / TSBUS2007-979
43	56315121	1	Guide, Cable	*	56315747	1	Thermister Repair Kit for 56315204 (Advance only)
44	56315736	1	Pivot Weld't. TSBUS2006-940	103	56315270	1	Charger Cord, US (Advance only) NOTE 1
45	56315191	1	Yoke, Actuator	104	56315206	1	Bracket, Charger (Advance only) NOTE 1
46	56315193	2	Bushing, Flange	105	56002066	8	Scr, Pan Phil 1/4-20 x .62 (Advance only) NOTE 1
47#	56315219	1	Cover, Solution Fill TSBUS2007-967	106	56486112	2	Clamp, P (Advance only) NOTE 1
48	56315222	1	Panel, Electrical	107	56009030	2	Scr, Pan Phil Thd Form 10-24 x .38 (Advance only) NOTE 1
49	56315236	1	Weldment, Squeegee Lift	108	56002708	4	Nut, Hex Nyl Loc 1/4-20 (Advance only) NOTE 1
50	56315243	1	Cable Assy	109	56249884	1	Plate
51	56315245	1	Bushing, Squeegee Cable	110	56315166	1	Plate
52	56315255	1	Circuit Breaker, 5 Amp	111	56410166	1	Clamp, P
53	56315256	1	Circuit Breaker, 30 Amp	112	56001993	2	Scr, Pan Phil 10-24 x .50
54	56315259	1	Plate, Circuit Breaker	113	56002916	2	Wsh, Flt SAE SS #10
55	56315266	1	Assembly, Paddle TSBUS2006-950	114	56009030	3	Scr, Pan Phil Thd Form 10-24 x .38
56	56315380	1	Bushing	115#	56396199	1	Clamp, Plastic
57	56315382	1	Clip, Conduit				
58	56315532	1	Gasket				* = Not Shown
60	56315625	1	Barb, Coupler 1/2 X 3/4				# = Revised or new since last update
61	56315628	1	Assembly, Electrical Box (85-96, 107 & 111)				
62	56315634	2	Barb, Adaptor 3/4 X 1/2 NPT				
63	56315656	1	Control Panel Assy - LC				
			TSBUS2006-938 / TSBUS2006-950				

NOTE 1: These items are only used on the following Advance models: 56315039, 56315538, 56315539, 56315540.

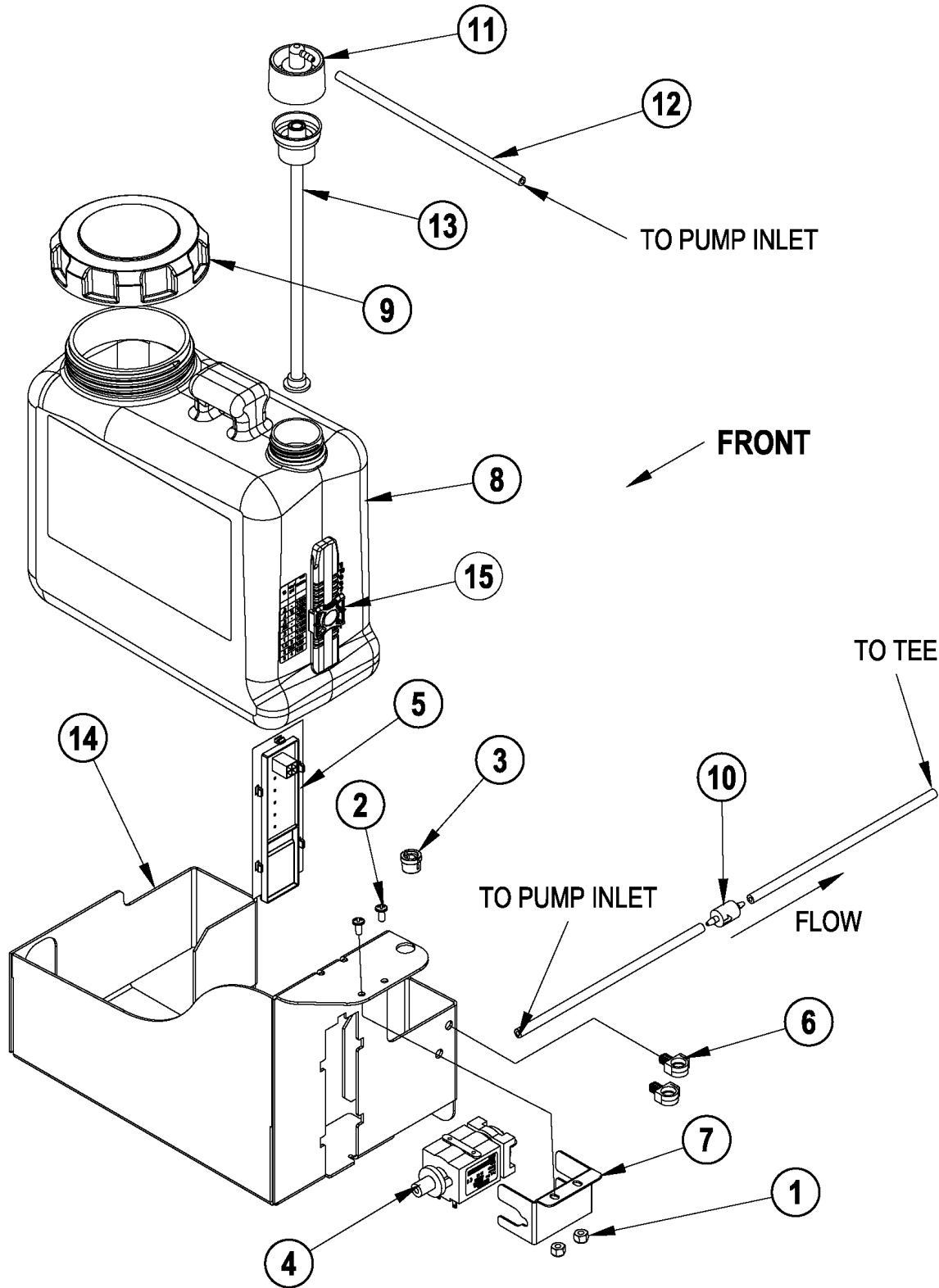
NOTE 2: Starting with Charger serial # CP360614027995 the charger software can be programmed with a computer and the QuiQ Programmer kit 56315732.



Item	Ref. No.	Qty	Description	Item	Ref. No.	Qty	Description
1	56002959	1	Pin, Cotter Hair	64	56315744	1	Weldment, Actuator Mount TSBUS2006-940
3	56364527	1	Knob	65	56315683	1	Barb, 90 Elbow 3/4 X 3/8npt
4	56365777	4	Lug, Brush Driver	66	56315687	1	Charge Connector Assy (To electrical box)
5	56370878	1	Bearing, Sleeve	67#	56331154	1	Clamp, Plastic
6	56001818	2	Scr, Pan Phil 8-32 X .38	68	56379139	1	Hose, PVC
7	56001832	4	Scr, Flt Phil 1/4-20 X 1.00	69	56387302	1	Hose, Solution
8	56001879	1	Wsh, Flt SAE 1/2	70	56396049	1	Lift Actuator Assembly (76-84)
9	56009122	7	Wsh, Flt .344 x .938 x .125	71#	56410254	1	Wire Rope, 6 Inch TSBUS2007-967
10	56001954	8	Wsh, Flt SAE #10	72	56398000	1	Connector Assy (To batteries)
11	56002667	7	Scr, Hex 5/16-18 X .75	73	56409152	1	Barb, 90 Elbow 1/2 X 1/2npt
12	56002094	4	Scr, Hex 5/16-18 X 1.50	74	56412285	1	Gasket, Elect. Cover
13	56002098	6	Wsh, Flt SAE 1/4	75	56469380	2	Clamp, P
14	56002124	10	Scr, Pan Phil 10-24 X .62	76	56009019	2	Scr, Hex Thd Form 1/4-20 X .38
15	56002140	2	Wsh, Flt SAE #8	77	56009062	4	Scr, Pan Phil Thd Form 1/4-20 X .50
16	56002145	5	Scr, Pan Phil 1/4-20 X .50	78	56393303	1	Actuator, Motor (M5)
17	56002684	1	Scr, Hex 3/8-16 X 1.75	*#	56388520	1	Plastic Nut
18	56002825	2	Scr, Pan Phil 1/4-20 X 1.25	79	56412071	1	Compression Spring
19	56002832	2	Nut, Hex Nyl Loc-Thin 10-24	80	56412262	1	Housing, Spring
20	56002840	1	Nut, Hex Nyl Loc-Thin 1/4-20	81	56420018	1	Compression Spring
21	56002841	1	Nut, Hex Nyl Loc-Thin 3/8-16	82	56420019	1	Nut Retainer
22	56002849	1	Nut, Hex Nyl Loc-Thin SS 10-24	83	56420020	1	Nut Retainer
23	56002896	1	Scr, Pan Phil Ss 10-24 X .62	84	56396268	1	Spring Housing Guide
24	56002919	1	Wsh, Flt Std Ss #10	85	56009203	3	Stud, 1/4-20
25	56002962	1	Scr, Soc Shd .38 X .62 X 5/16-18	86	56412089	1	Fuse, 150 Amp
26	56003266	1	Ring, Ret Ext Type E 0.75 Dia.	87#	56395455	1	Contacto 36v (K2 / Vac Motor)
27	56003312	1	Nut, Hex Nyl Loc M12-1.75	88	56469858	3	Standoff, Insulated
28	56003708	1	Scr, Hex M12-1.75 X 35mm	89	56002462	7	Scr, Pan Phil 1/4-20 X .38
29#	56009006	2	Scr, Pan Phil SS Type B 10-16 X 1.00	90	56002561	4	Nut, Hex W/ Shprf 1/4-20
30	56003679	1	Pin, Ring .50 X 1.63	91	56003698	2	Scr, Pan Phil Thd Form 8-32 X .75
33	56009206	4	Scr, Truss Phil-Blk 10-24x.50	92	56315629	1	Panel, Electrical
34	56219932	3	Clamp, Hose SAE #6	93	56315692	1	Controller, Speed TSBUS2006-950
35	56244969	5	Clamp, Hose SAE #12	94#	56395453	1	Contacto 36v (K1 / Brush Motor)
36	56262180	1	Hose, Spiral .500	96	56409538	4	Insulator, Terminal
37	56303275	1	Solenoid Valve Assy	97	56315479	1	Bushing
38	56303394	1	Hose, Spiral .750 X 25"	98			Intentionally Omitted
39	56303553	1	Key Switch Assembly (S3)	99	56003709	1	Scr, Hex Thd to Hd 1/4-20 x 1.50
*	56303526	A/R	Set of 2 Keys	100	56009087	1	Nut, Hex Jam 1/4-20
40	56305318	1	Hose, Spiral .750 X 10.5"	101			Intentionally Omitted
41	56315733	1	Tank, Solution TSBUS2006-940	102#	56315204	1	Charger, Onboard 36V (Advance only) NOTE 1 / NOTE 2
42	56315639	1	Nose Cone				TSBUS2006-931 / TSBUS2007-979
43	56315121	1	Guide, Cable	*	56315747	1	Thermister Repair Kit for 56315204 (Advance only)
44	56315736	1	Pivot Weld't. TSBUS2006-940	103	56315270	1	Charger Cord, US (Advance only) NOTE 1
45	56315191	1	Yoke, Actuator	104	56315206	1	Bracket, Charger (Advance only) NOTE 1
46	56315193	2	Bushing, Flange	105	56002066	8	Scr, Pan Phil 1/4-20 x .62 (Advance only) NOTE 1
47#	56315219	1	Cover, Solution Fill TSBUS2007-967	106	56486112	2	Clamp, P (Advance only) NOTE 1
48	56315222	1	Panel, Electrical	107	56009030	2	Scr, Pan Phil Thd Form 10-24 x .38 (Advance only) NOTE 1
49	56315236	1	Weldment, Squeegee Lift	108	56002708	4	Nut, Hex Nyl Loc 1/4-20 (Advance only) NOTE 1
50	56315243	1	Cable Assy	109	56249884	1	Plate
51	56315245	1	Bushing, Squeegee Cable	110	56315166	1	Plate
52	56315255	1	Circuit Breaker, 5 Amp	111	56410166	1	Clamp, P
53	56315256	1	Circuit Breaker, 30 Amp	112	56001993	2	Scr, Pan Phil 10-24 x .50
54	56315259	1	Plate, Circuit Breaker	113	56002916	2	Wsh, Flt SAE SS #10
55	56315266	1	Assembly, Paddle TSBUS2006-950	114	56009030	3	Scr, Pan Phil Thd Form 10-24 x .38
56	56315380	1	Bushing	115#	56396199	1	Clamp, Plastic
57	56315382	1	Clip, Conduit				
58	56315532	1	Gasket				* = Not Shown
60	56315625	1	Barb, Coupler 1/2 X 3/4				# = Revised or new since last update
61	56315628	1	Assembly, Electrical Box (85-96, 107 & 111)				
62	56315634	2	Barb, Adaptor 3/4 X 1/2 NPT				
63	56315656	1	Control Panel Assy - LC				
			TSBUS2006-938 / TSBUS2006-950				

NOTE 1: These items are only used on the following Advance models: 56315039, 56315538, 56315539, 56315540.

NOTE 2: Starting with Charger serial # CP360614027995 the charger software can be programmed with a computer and the QuiQ Programmer kit 56315732.



05-4

CHEMICAL ASSEMBLY (AXP™ / EDS™)

08-4

Warrior ST™, Warrior™ AXP / BA 755, 855**25**

Item	Ref. No.	Qty	Description
	56315645	1	Chemical Tank Assy
1	56002877	2	Nut, Hex Nyl Loc SS 8-32
2	56003018	2	Scr, Pan Phil SS 8-32 X .38
3	56003699	1	Bushing, 1/4 Id Snub
4	56315241	1	Pump, Chemical
5	56315340	1	Chemical Sensor Assy
6	56315382	2	Clip, Conduit
7	56315476	1	Bracket, Chemical Pump
8	56315502	1	Chemical Bottle As
**	56315535	A/R	AXP Neutral Cleaner, 4 pack
**	56315537	A/R	AXP Heavy Duty Cleaner & Degreaser, 4 pack
**#	56315503	A/R	Chemical Bottle Assy (8, 9, 13)
9	56315517	1	Cap, Raw
10	56315522	1	Check Valve, 1/8 Barb, 125 PSI
11	56315523	1	Cap, Dry Break, 1/8 Barb, 90°
12	56315524	3	Hose, Chemical Resistant, 7"
13	56315527	1	Insert, Dry Break
14	56315644	1	Bracket, Tank Mounting
15	56315511	1	Indicator Assy

** = Optional, Not Included

= Revised or new since last update

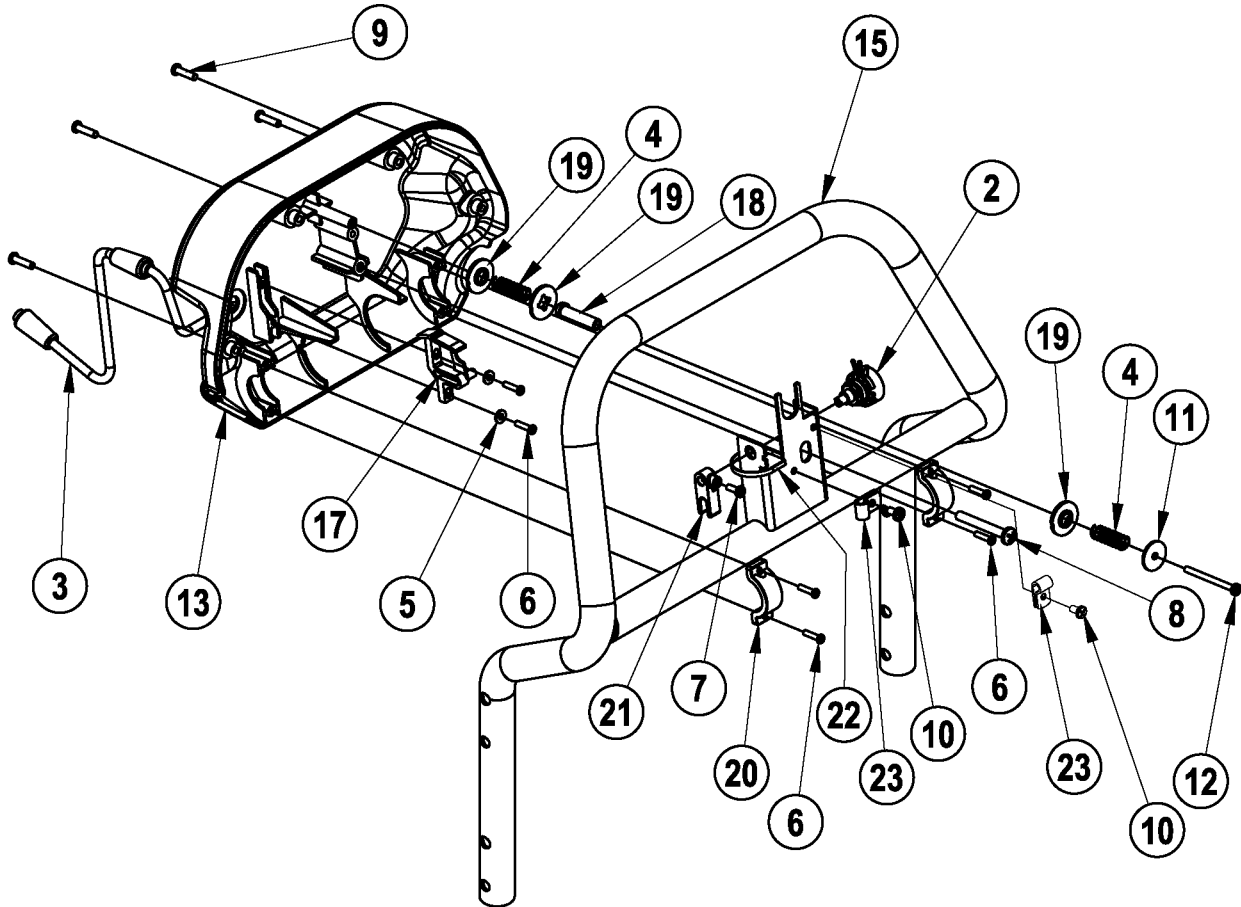
PADDLE ASSEMBLY

05-4

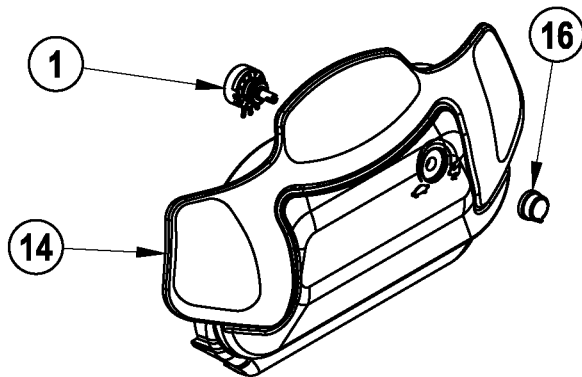
26

Warrior ST™, Warrior™ AXP / BA 755, 855

05-5



FRONT



05-4

PADDLE ASSEMBLY

07-4

Warrior ST™, Warrior™ AXP / BA 755, 855**27**

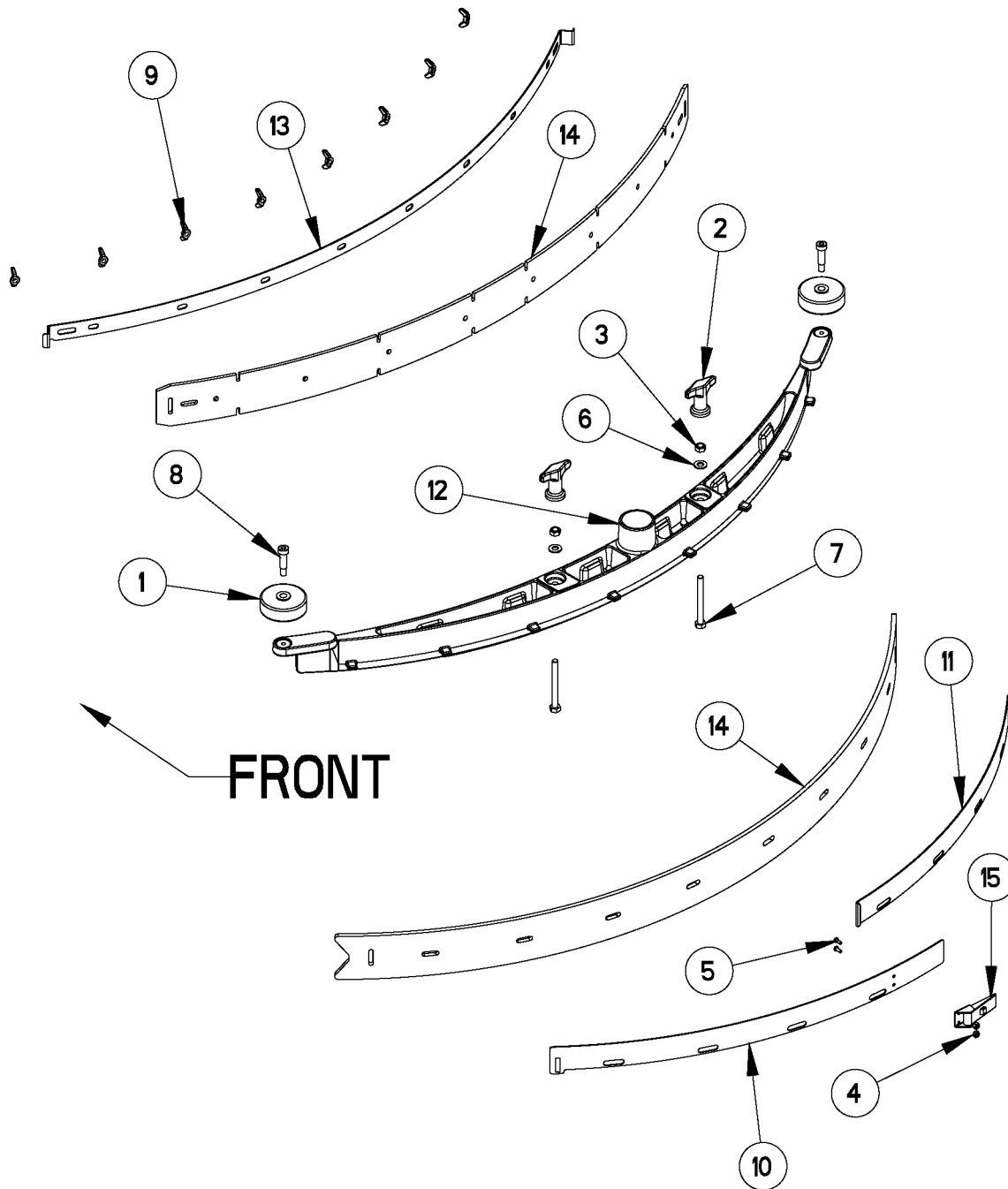
Item	Ref. No.	Qty	Description
	56315266	1	Assembly, Paddle TSBUS2006-925 / TSBUS2006-950 / TSBUS2007-958
1	56396197	1	Potentiometer, 100k (R2)
2	56397029	1	Potentiometer, 5k (R1)
3	56315231	1	Harness, Handle
4	56325654	2	Spring, Compression
5	56002006	2	Wsh, Flt SAE #6
6	56003197	6	Scr, Pan Phil Plastite 6-18x.62
7	56003354	1	Scr, Pan Phil M4 X 12
8	56003527	1	Scr, Pan Phil Plastite 1/4-10x2.00
9	56003545	4	Scr, Pan Phil Plastite 8-10x.75
10	56009030	2	Scr, Pan Phil Thd Form 10-24x.38
11	56009096	1	Wsh, Flt .193 X .875 X .060
12	56009287	1	Scr, Pan Phil Type B 8x2.00
13	56315229	1	Paddle, Back Cover
14	56315230	1	Paddle, Front Cover
15	56315251	1	Weldment, Handle Bar
16	56315280	1	Knob
17	56397015	1	Cam Controller
18	56397109	1	Sleeve
19	56397170	3	Washer, Plastic
20	56397171	2	Clamp
21	56397172	1	Potentiometer Fork
22	56478246	1	Tie, Cable
23	56481890	2	Clamp, P

SQUEEGEE ASSEMBLY

05-4

28

Warrior ST™, Warrior™ AXP / BA 755, 855



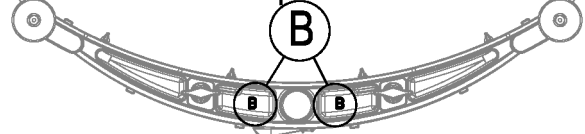
Item	Ref. No.	Qty	Description
	56315632	1	Squeegee Assembly "D" (STD on <u>all models</u> except Advance 28" & 32" cylindrical)
	56314697	1	Squeegee Assembly "D" (STD <u>only</u> on Advance 28" & 32" cylindrical)
#	56315291	1	Squeegee Assembly "B" (Narrow Isle Option)
#	56315290	1	Squeegee Assembly "C" (Narrow Isle Option)
1	56324350	2	Wheel
2	56370711	2	Nut, Thumb
3	56002851	2	Nut, Hex Nyl Loc-Thin Ss 5/16-18
4	56002907	2	Nut, Hex Nyl Loc SS 6-32
5	56002909	2	Scr, Pan Phil SS 6-32 X .38
6	56002938	2	Wsh, Flt Sae SS 5/16
7	56003736	2	Scr, Hex Thd to Hd SS 5/16-18 X 3.00
8	56003472	2	Scr, Soc Shd .38 X 1.00 X 5/16-18
9	56009111	8	Nut, Wing SS 1/4-20
10	56314691	1	Strap, Left Rear "D" (used on 56315632 & 56314697)
#	56314323	1	Strap, Left Rear "C" (used on 56315290)
	56314026	1	Strap, Left Rear "B" (used on 56315291)
11	56314692	1	Strap, Right Rear "D" (used on 56315632 & 56314697)
#	56314324	1	Strap, Right Rear "C" (used on 56315290)
	56314027	1	Strap, Right Rear "B" (used on 56315291)
12	56314694	1	Squeegee Tool, Cast "D" (used on 56315632 & 56314697)
#	56314325	1	Squeegee Tool, Cast "C" (used on 56315290)
	56314271	1	Squeegee Tool, Cast "B" (used on 56315291)
13	56314696	1	Strap, Front "D" (used on 56315632 & 56314697)
#	56314322	1	Strap, Front "C" (used on 56315290)
	56314028	1	Strap, Front "B" (used on 56315291)
14	56315674	1	Kit, Gum Rubber Squeegee Blade "D" (used on 56315632) NOTE 1
	56314865	1	Kit, Linatex Squeegee Blade "D" (used on 56314697) NOTE 1
#	56315348	1	Kit, Gum Rubber Squeegee Blade "C" (used on 56315290) NOTE 1
#	56315347	1	Kit, Gum Rubber Squeegee Blade "B" (used on 56315291) NOTE 1
15	56471194	1	Latch Assembly
			"D" Squeegee Blade Kits for 56315632 & 56314697
**	56315674	1	Kit, Gum Rubber Squeegee Blade "D" NOTE 1
**	56314865	1	Kit, Linatex Squeegee Blade "D" NOTE 1
**	56314843	1	Kit, Neoprene Squeegee Blade "D" NOTE 1
			"C" Squeegee Blade Kits for 56315290
**#	56315348	1	Kit, Gum Rubber Squeegee Blade "C" NOTE 1
**#	56315352	1	Kit, Linatex Squeegee Blade "C" NOTE 1
**#	56314062	1	Kit, Neoprene Squeegee Blade "C" NOTE 1
			"B" Squeegee Blade Kits for 56315291
**#	56315347	1	Kit, Gum Rubber Squeegee Blade "B" NOTE 1
**#	56314351	1	Kit, Linatex Squeegee Blade "B" NOTE 1
**	56314305	1	Kit, Neoprene Squeegee Blade "B" NOTE 1

** = Optional, Not Included

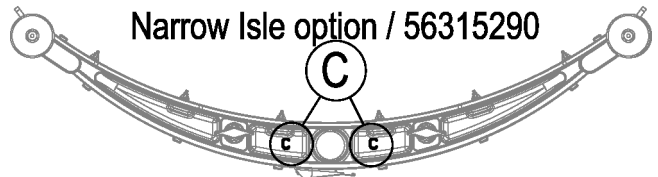
= Revised or new since last update

NOTE 1: All squeegee blade kits include both front and rear squeegee blades.

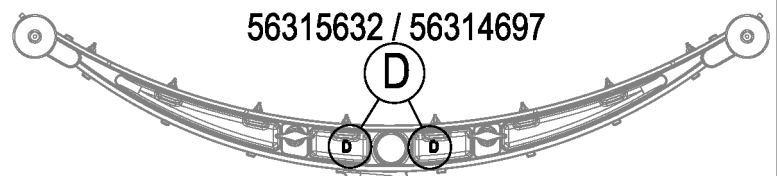
Narrow Isle option / 56315291

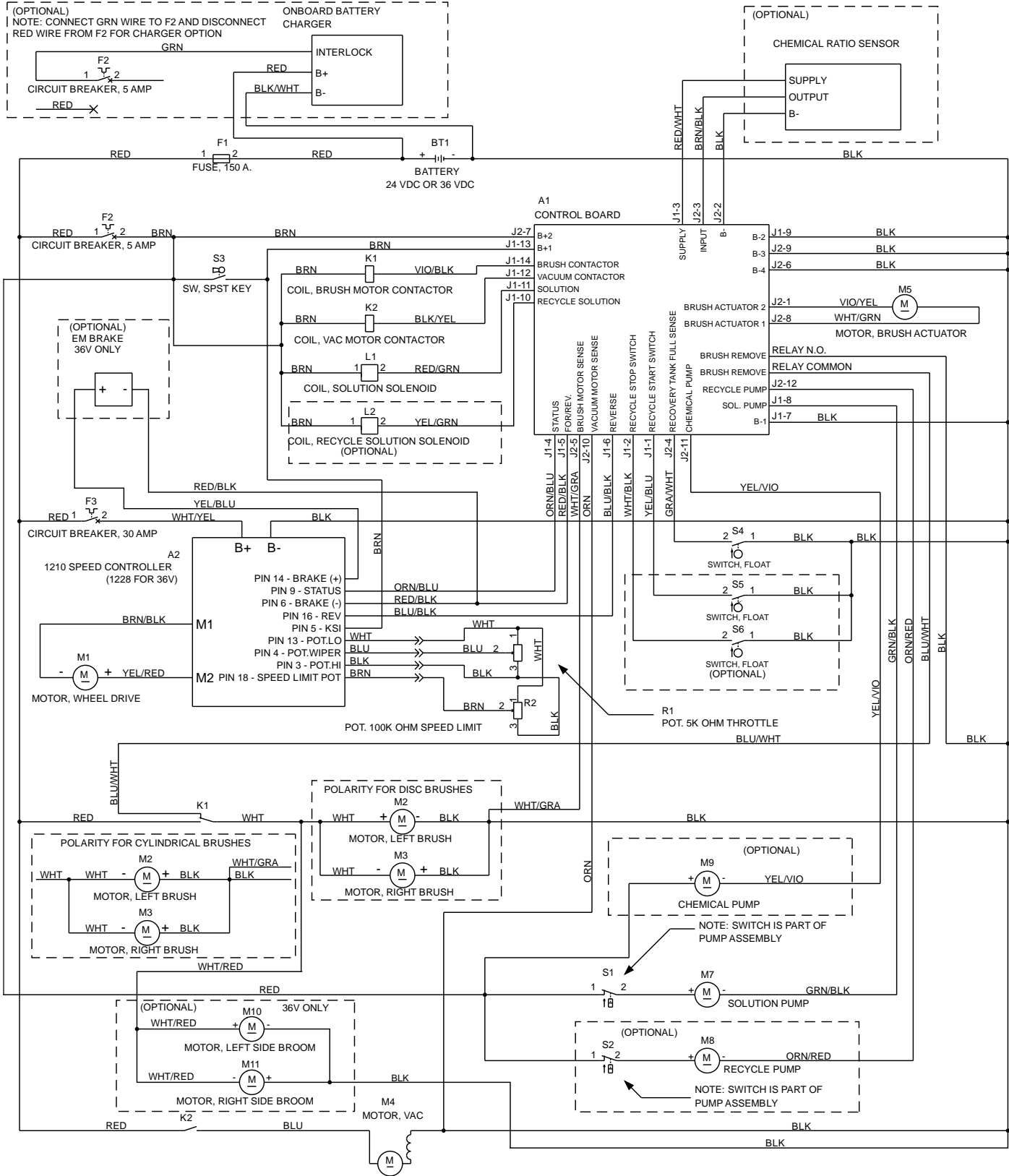


Narrow Isle option / 56315290



56315632 / 56314697





Item	Ref. No.	Qty	Description
A1	56315657	1	Control Panel-FM TSBUS2007-952 / TSBUS2007-958
	56315656	1	Control Panel-LC TSBUS2006-938 / TSBUS2006-950
A2	56315692	1	Speed Control TSBUS2006-950 / TSBUS2007-958
BT1#	56391391	6	Battery, 6V, 305AH (Advance model 56307250 only)
F1	56412089	1	Fuse, 150 Amp
F2	56315255	1	Circuit Breaker, 5 Amp
F3	56315256	1	Circuit Breaker, 30 Amp
K1	56397250	1	Contact, Brush Motor (AXP™ / EDS™ Models)
#	56395453	1	Contact, Brush Motor (STD Models / Advance only)
K2#	56395455	1	Contact, Vac Motor (All Models)
L1	56397215	1	Solenoid, Solution
L2	56397215	1	Solenoid, Recycle Solution (Optional)
M1	56315063	1	Transaxle, 36v
*	56315676	1	Motor
*	56315677	4	Carbon Brush
*	56315678	2	Neoprene Mounting Sleeve
M2	56397316	1	Motor, Left Brush (Disk)
*	56397139	4	Carbon Brush
*	56397138	4	Brush Spring
	56315611	1	Motor, Left Brush (Cylindrical)
*	56412287	1	Brush / Spring Kit
M3	56397316	1	Motor, Right Brush (Disk)
*	56397139	4	Carbon Brush
*	56397138	4	Brush Spring
	56315611	1	Motor, Left Brush (Cylindrical)
*	56412287	1	Brush / Spring Kit
M4	56391208	1	Vac Motor Assy
*	56377001	1	Carbon Brush Set of 2
M5	56393303	1	Motor, Brush Actuator
#	56388520	1	Plastic Nut
M7	56315108	1	Pump, Solution
M8	56315107	1	Pump, Recycle (Optional)
M9	56315241	1	Pump, Chemical (Optional)
R1	56397029	1	Potentiometer, 5K Ohm, Throttle
R2	56396197	1	Potentiometer, 100K Ohm, Speed Limit
S1	NA	1	Part of M7
S2	NA	1	Part of M8
S3	56303553	1	Switch, Key
*	56303526	A/R	Set of 2 Replacement Keys
	56315434	1	Key Switch Assy (Advance model 56307250 only)
	56508699	A/R	Replacement Key (Advance model 56307250 only)
S4	56315096	1	Switch, Float
S5	56315096	1	Switch, Float (Optional / Recycle Start)
S6	56315096	1	Switch, Float (Optional / Recycle Stop)
*#	56315204	1	Charger, Onboard 36V (Advance Onboard Charger Models Only) NOTE 1 / TSBUS2006-931 / TSBUS2007-979
*	56315747	1	Thermister Repair Kit for 56315204 (Advance only)
*	56315340	1	Chemical Ratio Sensor (AXP™ / EDS™ Models Only)
*	56315679	1	Harness, Main TSBUS2006-926 / TSBUS2007-955
*	56315750	1	Vacuum Harness TSBUS2007-955
*	56416445	3	Cable Assy 4 AWG (Battery Cables)
*	56456460	2	Cable Assy 4 X 12 (Battery Cables)
*	56372673	12	Boot, Battery Post
*	56478523	4	Tie, Cable
*	56478246	9	Tie, Cable
*	56314119	2	Spacer. Battery

* = Not Shown

= Revised or new since last update

NOTE 1: Starting with Charger serial # CP360614027995 the charger software can be programmed with a computer and the QuiQ Programmer kit 56315732.

OPTIONAL KITS & ACCESSORIES

05-4

32

Warrior ST™, Warrior™ AXP / BA 755, 855

08-4

Ref. No.	Qty	Description
Common Kits		
**	56315169	A/R Extended Scrub Kit
**	56315312	A/R Squeegee Wand Kit
**#	56315732	A/R QuiQ Programmer Kit NOTE 2 TSBUS2007-979
**	56315681	A/R Kit, Electromagnetic Brake
**	56315597	A/R Kit, Sound Reduction
**	9096219000	2 Wheel, Polyurethane - Traction
**	56315669	A/R Kit, 28" Disk Deck Assy
**	56315670	A/R Kit, 32" Disk Deck Assy
**	56315671	A/R Kit, 28" Cyl Deck Assy
**	56315672	A/R Kit, 32" Cyl Deck Assy
Nilfisk only Kits		
**#	56315658	A/R Kit, 36v Onboard Battery Charger – Eur TSBUS2007-979
**#	56315665	A/R Kit, 36v Onboard Battery Charger – Uk TSBUS2007-979
Advance only Kits		
**	56314981	A/R Battery Watering Kit

NOTE: Replacement parts for the kits listed above can be found on each kit's associated instruction sheet.

"D" Squeegee Blade Kits for 56315632 & 56314697		
**	56315674	1 Kit, Gum Rubber Squeegee Blade "D" NOTE 1
**	56314865	1 Kit, Linatex Squeegee Blade "D" NOTE 1
**	56314843	1 Kit, Neoprene Squeegee Blade "D" NOTE 1
"C" Squeegee Blade Kits for 56315290		
**#	56315348	1 Kit, Gum Rubber Squeegee Blade "C" NOTE 1
**#	56315352	1 Kit, Linatex Squeegee Blade "C" NOTE 1
**#	56314062	1 Kit, Neoprene Squeegee Blade "C" NOTE 1
"B" Squeegee Blade Kits for 56315291		
**#	56315347	1 Kit, Gum Rubber Squeegee Blade "B" NOTE 1
**#	56314351	1 Kit, Linatex Squeegee Blade "B" NOTE 1
**	56314305	1 Kit, Neoprene Squeegee Blade "B" NOTE 1
Common Accessories		
**	56315316	A/R Tote Bag
**	56409441	A/R Programmer, 1307 User
**	56409823	A/R Programmer Cable
Advance only Accessories		
**	56397453	6 Indicator, Battery Level (1 per battery)
Advance Optional Batteries		
**	56206117	6 Battery, 6v 195 A/H Wet
**	56206079	6 Battery, 6v 235 A/H Wet
**	56391391	6 Battery, 6v 305 A/H Wet
**	56206987	6 Battery, 6v 180a/H Gel
Advance Optional Battery Chargers		
**	56395101	1 Charger, 36vdc Auto 20 Amp 120vac/60hz
**	56388502	1 Charger, 36vdc Auto 25 Amp 120vac/60hz
**	56388120	1 Charger, 36vdc Auto 36 Amp 120vac/60hz
**	56372190	1 Charger, 36vdc 20 Amp 230vac/50hz
**	56388119	1 Charger, 36vdc 36 Amp 230vac/50hz
Nilfisk Optional Batteries		
**#	80567900	1 Battery, 6v 255 A/H (set of 6)
**#	80566800	1 Battery, 6v 240 A/H (set of 6)
**	80561500	1 Battery, 36v 210 A/H
**	80565000	6 Battery, 6v 255 A/H
**#	80564100	6 Battery, 6v 240 A/H
Nilfisk Optional Battery Chargers		
**#	L00173642	1 Charger, 36vdc, 40 Amp, 230vac (UK / use with 80567900 & 80565000)
**#	80569300	1 Charger, 36vdc, 40 Amp, 230vac (UK / use with 80566800 & 80564100)
**#	80569100	1 Charger, 36vdc, 20 Amp, 230vac (UK / use with 80561500)
**#	L00193642	1 Charger, 36vdc, 40 Amp, 230vac (EU / use with 80567900 & 80565000)
**#	80569200	1 Charger, 36vdc, 40 Amp, 230vac (EU / use with 80566800 & 80564100)
**#	80569000	1 Charger, 36vdc, 20 Amp, 230vac (EU / use with 80561500)

** = Optional, Not Included

= Revised or new since last update

NOTE 1: All squeegee blade kits include both front and rear squeegee blades.

NOTE 2: Starting with Charger serial # CP360614027995 the charger software can be programmed with a computer and the QuiQ Programmer kit 56315732.

FORM NO. 56042463

We provide brushes and pad holders that will give you the best possible performance between machine and floor. Following are descriptions of the materials and their applications.

Union Mix:	Medium grade natural fibers for polishing finished floors with standard-speed equipment. Recommended for use in place of white pads.
ProLite:	Bristles are made from light-duty polypropylene for general scrubbing when you do not want to scratch or remove finish from the floor. Recommended for use in place of red pads.
Prolene:	Polypropylene material for medium-duty scrubbing on concrete, terrazzo and vinyl floor tile. Recommended for use in place of green or blue pads.
Magna Grit:	For extreme heavy-duty scrubbing or stripping of floors. This brush has extra large diameter silicon carbide grit impregnated synthetic bristles. Recommended for use in place of black pads.
Dyna Grit:	For aggressive, heavy-duty scrubbing or stripping of floors. Recommended for use in place of brown pads.
MidLite Grit:	For general purpose scrubbing of sealed or unsealed concrete, stone, terrazzo, quarry tile and other resilient hard floor surfaces. Recommended for use in place of green or blue pads.
MidGrit:	For general purpose scrubbing when you need a lighter action for sealed or unsealed concrete, stone, terrazzo, quarry tile and other resilient hard floor surfaces. Recommended for use in place of green or blue pads.
AgLite Grit:	For light scrubbing when used wet; buffing or polishing when used dry on urethane coated, sealed concrete or other resilient hard surface floors. Recommended for use in place of red or white pads.
Short Trim	
Pad Holder:	Made with a structural foam block and center ring for correct pad centering. It has a "shower feed" design for getting solution to the floor.

28"/BA 755 BRUSHES

56505800 - Short Trim Pad Holder
 56505195 - Pad Retainer for 56505800
 56505801 - MagnaGrit
 56505802 - DynaGrit
 56505803 - AgLite
 56505804 - Prolene
 56505805 - ProLite
 56505806 - Union Mix
 56505807 - MidGrit
 56505808 - MidLite Grit

32"/BA 855 BRUSHES

56505830 - Short Trim Pad Holder
 56505195 - Pad Retainer for 56505830
 56505831 - MagnaGrit
 56505832 - DynaGrit
 56505833 - AgLite
 56505834 - Prolene
 56505835 - ProLite
 56505836 - Union Mix
 56505837 - MidGrit
 56505838 - MidLite Grit

DISC BRUSH APPLICATION GUIDE (SUGGESTION ONLY)

	46	80	180	240	500			Union
Application	Grit	Grit	Grit	Grit	Grit	Prolene	Prolite	Mix
Stripping:								
Concrete	X	X						
Terrazzo	X	X						
Ceramic/Quarry tile		X						
Vinyl tile		X						
General Scrubbing:								
Concrete	X	X	X	X		X		
Terrazzo			X	X	X	X		
Ceramic/Quarry tile			X	X	X	X		
Marble					X		X	
Vinyl tile			X		X	X		
Raised-rubber tile					X		X	
Polishing:								
Raised Disc Tile								X
Marble								X
Vinyl tile								X

BRUSH SELECTOR GUIDE - CYLINDRICAL

05-4

34**Warrior ST™, Warrior™ AXP / BA 755, 855**

07-3

We provide brushes and pad holders that will give you the best possible performance between machine and floor. Following are descriptions of the materials and their applications.

- 46 Grit Brush: Most aggressive grit brush. Used primarily to clean heavy buildup on concrete floors in factories, or for heavy stripping of finish.
- 80 Grit Brush: Medium aggressive grit brush. Good all-around brush for medium to heavy buildup removal. Can also be used for general stripping operations.
- 180 Grit Brush: Least aggressive grit brush. Used for daily cleaning of hard-finished floors.
- Polypropylene Brush: Standard equipment brush. Low cost, yet effective in cleaning many common floor surfaces.
- Stiff Nylon Brush: Cleaning action similar to polypropylene. More durable and wear-resistant than polypropylene.
- Soft Nylon Brush: Least aggressive brush available. Used on soft-finish floors where a more aggressive brush would leave scratch marks, or in applications requiring very light cleaning.

28"/BA 755 BRUSHES

56412191 - Soft Nylon
 56412192 - Hard Nylon
 56412046 - Prolene
 56412193 - 180 Grit
 56412194 - 80 Grit
 56412195 - 46 Grit

32" BRUSHES

56407473 - Soft Nylon
 56407474 - Hard Nylon
 56407475 - Prolene
 56407476 - 180 Grit
 56407477 - 80 Grit
 56407478 - 46 Grit

CYLINDRICAL BRUSH APPLICATION GUIDE (SUGGESTION ONLY)

Application	46 Grit	80 Grit	180 Grit	Polypropylene	Stiff Nylon	Soft Nylon
Stripping:						
Concrete	X	X				
Terrazzo	X	X				
Ceramic/Quarry tile		X				
Vinyl tile		X				
General Scrubbing:						
Concrete	X	X	X	X	X	
Terrazzo			X	X	X	X
Ceramic/Quarry tile			X	X	X	X
Marble			X		X	X
Vinyl tile			X	X	X	X
Raised-rubber tile			X			X

