



## Electronic Service Manuals

This electronic document is provided as a service to our customers. We do not create the contents of the information contained in this document. Should you have detailed questions pertaining to the information contained in this document, you may contact Michco, or the manufacturer which provided the original information in this electronic deliverable. Michco's only part in this electronic deliverable was the electronic assembly process. By providing this manual on line we are not guaranteeing parts availability.

You may contact Michco through the following methods:

Phone (517) 484-9312 or (800) 331-3339

2011 N. High St. -- Lansing, Michigan -- 48906

Fax: (517) 484-9836

Email: [CustServe@Michco.com](mailto:CustServe@Michco.com)

Web site: [www.Michco.Com](http://www.Michco.Com)

Parts Web site: [www.FloorMachineParts.Com](http://www.FloorMachineParts.Com)

Order Parts on Line at:

**[www.FloorMachineParts.Com](http://www.FloorMachineParts.Com)**

Directly to Parts & Service:

By Email: **[Shop@Michco.com](mailto:Shop@Michco.com)**

By Fax: (517) 702-2041

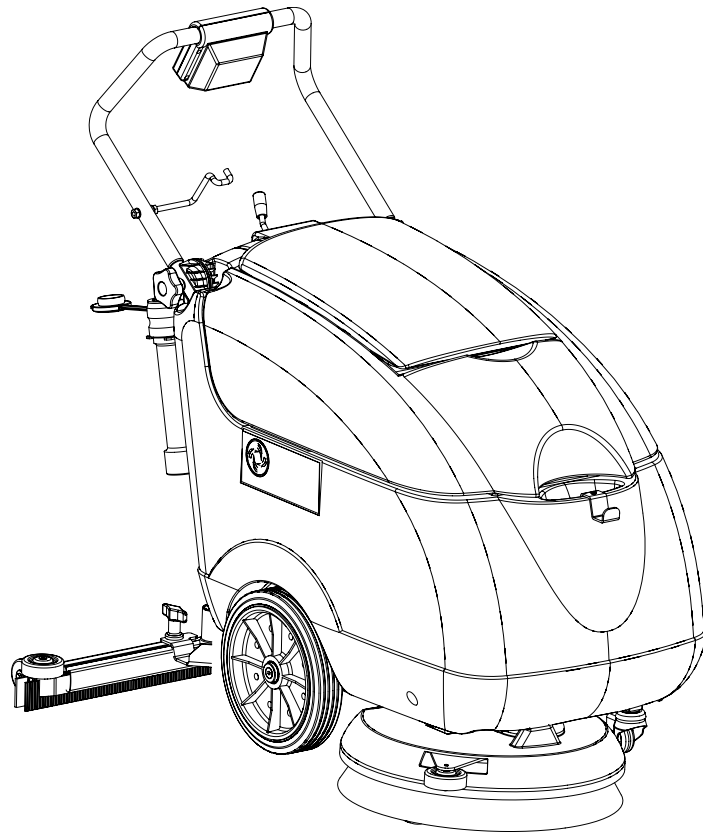
By Voice: Use numbers above.

**Serving the Cleaning Industry Since 1922**

Notice: All copyrighted material remains property of original owners, all trademarks are property of respective owners. Manuals are subject to Manufacturer's reproduction limitations. Originals or reproductions were provided by manufacturers through a request. We make no warranty as to the correctness of information provided in this document and you assume all risk. By placing these manuals on line we are not declaring our corporation to be an manufacturer authorized dealer or provider, please check our web site for authorized manufacturers we represent.

# Micromatic™ M17E

---



---

## PARTS LIST

Advance model: 908 7058 020

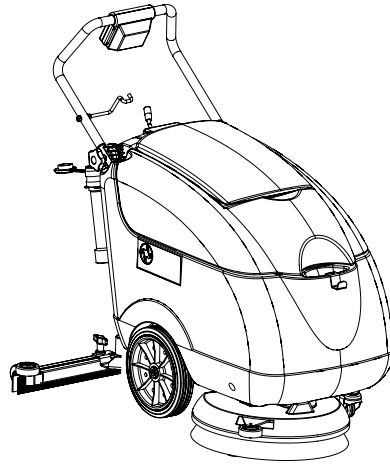


# Advance

*by Nilfisk-Advance*

909 5856 000(4)2007-09





## DESCRIPTION

## PLAN

SOLUTION TANK	2 - 3
VACUUM SYSTEM	4 - 5
RECOVERY TANK	6 - 9
HANDLE ASSEMBLY	10 - 11
SOLUTION SYSTEM	12 - 13
SQUEEGEE SYSTEM	14 - 15
BRUSH SYSTEM	16 - 19
WIRING SYSTEM	20 - 21
ACCESSORIES	22 - 23
WIRING DIAGRAM	24 - 25
RECOMMENDED SPARE PARTS	26 - 27

### WHEN ORDERING PARTS

- \* Use the 8, 9 or 10 digit numbers from the "Ref. No." columns in this parts list.
- \* Specify the model and serial number of the machine.
- \* Use the space below to record the model and serial number for future reference.

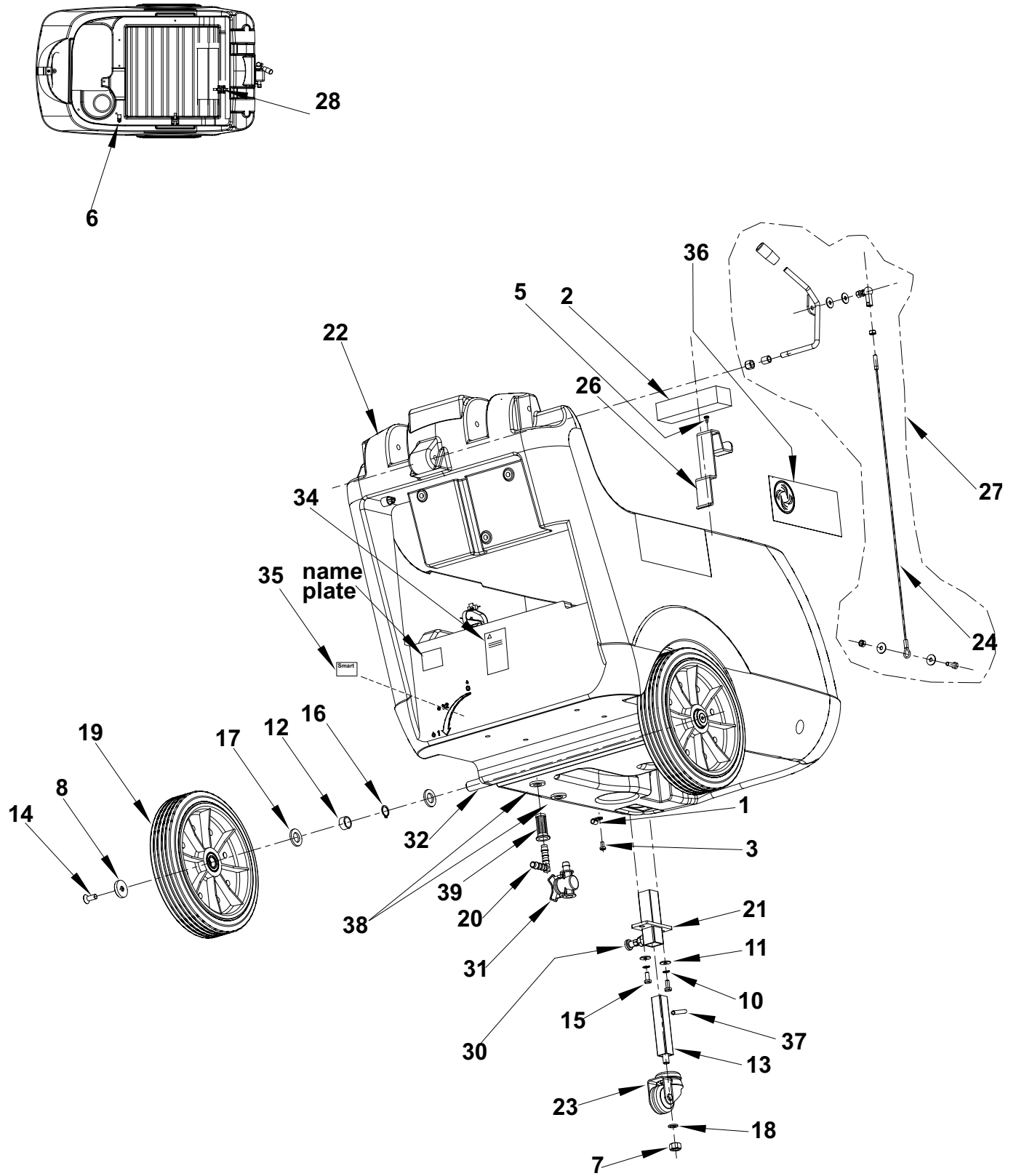
Model \_\_\_\_\_ Serial No. \_\_\_\_\_

**\* = Optional**

**# = Modified item No. or New item No.**

**[] = Not shown**

**xxxxxx = Contained in a Kit**

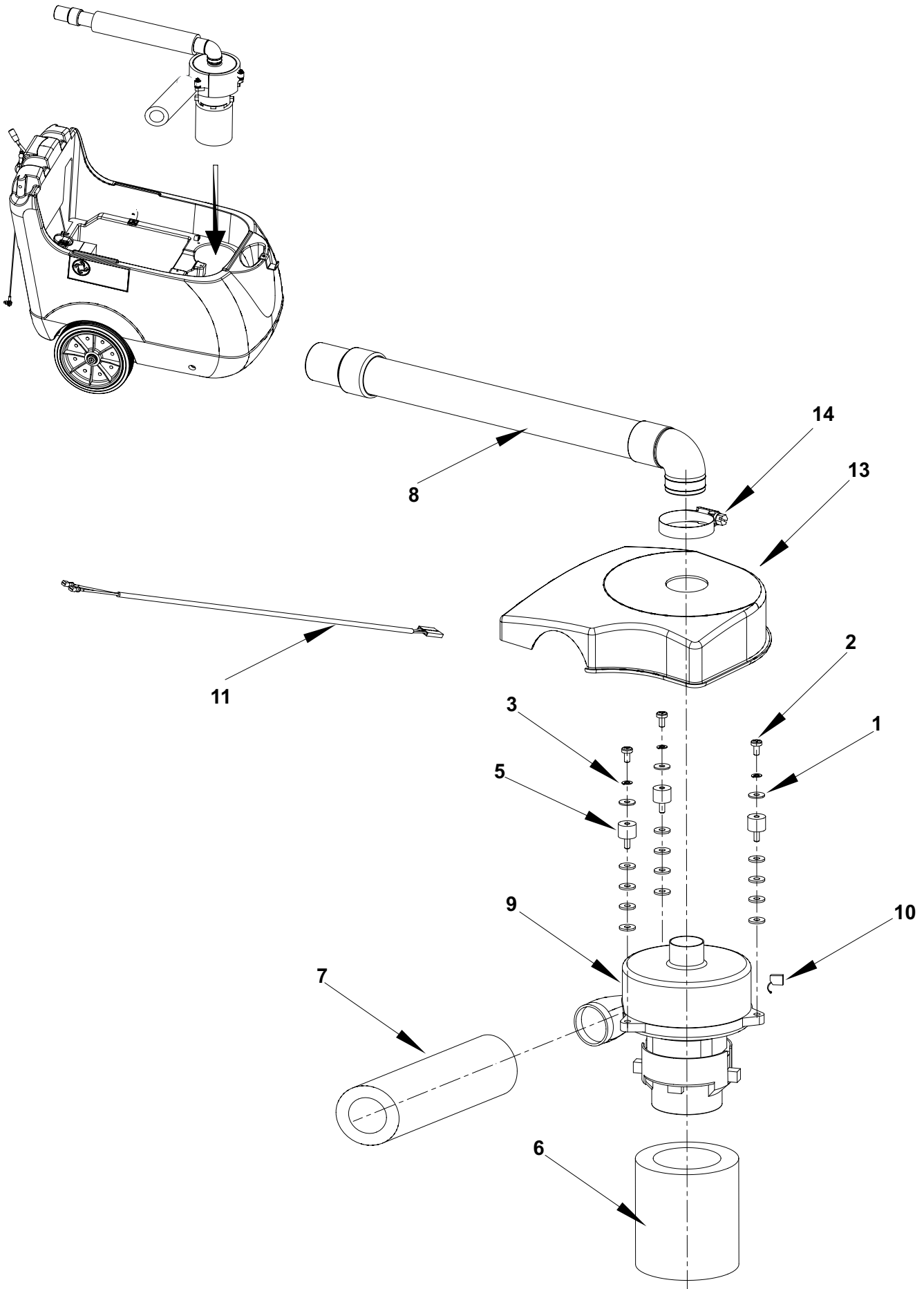


2005-01	<b>SOLUTION TANK</b>			
2007-05	<b>MICROMATIC™ M17E</b>			<b>3</b>

Item No.	Ref. No.	Qty	Description
1	xxxxxxxxxx	2	CLAMP (SOLUTION TANK HARDWARE KIT)
2	909 5674 000	1	SPONGE FRESH WATER INLET
3	xxxxxxxxxx	1	SCREW M5X10 UNI7985 (SOLUTION TANK HARDWARE KIT)
5	xxxxxxxxxx	1	SCREW 4,2X9,5 THD FORM (SOLUTION TANK HARDWARE KIT)
6	xxxxxxxxxx	2	CLAMP (SOLUTION TANK HARDWARE KIT)
7	xxxxxxxxxx	1	NUT HEX HIGH SELF LOCK M10 (SOLUTION TANK HARDWARE KIT)
8	xxxxxxxxxx	2	SPACER FOR TANK (SOLUTION TANK HARDWARE KIT)
10	xxxxxxxxxx	2	WASHER FLAT 6X18 (SOLUTION TANK HARDWARE KIT)
11	xxxxxxxxxx	2	WASHER SPLIT 6 (SOLUTION TANK HARDWARE KIT)
12	xxxxxxxxxx	2	SPACER (SOLUTION TANK HARDWARE KIT)
13	909 5658 000	1	SUPPORTING ROD
14	xxxxxxxxxx	2	SCREW M8X20 (SOLUTION TANK HARDWARE KIT)
15	xxxxxxxxxx	2	SCREW HEX HD 6X14 (SOLUTION TANK HARDWARE KIT)
16	xxxxxxxxxx	2	RETAINING RING (SOLUTION TANK HARDWARE KIT)
17	xxxxxxxxxx	6	WASHER FLAT 16X30 (SOLUTION TANK HARDWARE KIT)
18	xxxxxxxxxx	1	WASHER M10 UNI6592 (SOLUTION TANK HARDWARE KIT)
19A	9096915000	2	WHEEL
20	909 5895 000	1	ELBOW 90° Ø10
21	909 5649 000	1	SUPPORT
22	909 5551 000	1	SOLUTION TANK
23	909 5560 000	1	WHEEL
24	909 5573 000	1	SQUEEGEE LIFTING CABLE
[25]	909 5981 000	1	KIT DECALS MICROMATIC™ M17E (DECAL WARNING, DECAL SMART SOLUTIONS, DECAL MICROMATIC™ M17E [PAGE 3 POS. 34,35,36], DECAL WATER FAUCET [PAGE 7 POS.15], DECAL BRUSH ADJUSTING [PAGE 15 POS.31])
26	909 5644 000	1	BRACKET
27	909 5700 000	1	KIT SQUEEGEE LIFT CABLE (24)
28	xxxxxxxxxx	3	CLAMP (SOLUTION TANK HARDWARE KIT)
30	909 5641 000	1	INDEXING PLUNGER
31	909 5696 000	1	VALVE
32	909 5748 000	1	SHAFT, WHEELS
[33]	909 5986 000	1	SOLUTION TANK HARDWARE KIT (1,3,4,5,6,7,8,9,10,11,12,14,15,16,17,18,28,29)
34	xxxxxxxxxx	1	DECAL WARNING ( KIT DECALS MICROMATIC™ M17E)
35	xxxxxxxxxx	1	DECAL SMART SOLUTIONS (KIT DECALS MICROMATIC™ M17E)
36	xxxxxxxxxx	2	DECAL MICROMATIC™ M17E (KIT DECALS MICROMATIC™ M17E)
37	909 6441 000	1	PIN
38	909 5286 000	2	GASKET
<b>39*A</b>	<b>9096916000</b>	<b>1</b>	<b>FILTER</b>
[40]	909 6226 000	1	RUBBER SHOCK ABSORBER KIT
[41]	909 6227 000	1	INSTALLATION INSTRUCTION FOR RUBBER SHOCK ABSORBER KIT

DELETED ITEM: 4 - 9 - 29

A: TSB IT 2007-015



2005-01	VACUUM SYSTEM			
2007-05	MICROMATIC™ M17E			5

Item No.	Ref. No.	Qty	Description
1	xxxxxxxxxx	15	WASHER FALT 6X18 (VACUUM SYSTEM HARDWARE KIT)
2	xxxxxxxxxx	3	SCREW CYL HD M6X12 (VACUUM SYSTEM HARDWARE KIT)
3	xxxxxxxxxx	3	WASHER SPLIT 6 (VACUUM SYSTEM HARDWARE KIT)
5	909 5198 000	3	VIBRATION DAMPING M6
6	909 5564 000	1	PIPE ACOUSTIC INSULATION
7	909 5565 000	1	PIPE ACOUSTIC INSULATION
8	909 5579 000	1	VACUUM MOTOR HOSE
9	909 5979 000	1	KIT VACUUM MOTOR WITH CONNECTOR
10	909 5719 000	2	CARBON BRUSH
11	909 5859 000	1	CABLE VACUUM MOTOR
12	909 5987 000	1	VACUUM SYSTEM HARDWARE KIT (1,2,3)
13	909 5972 000	1	MOTOR PROTECTION
14	145 0543 000	1	CLAMP

DELETED ITEM: 4

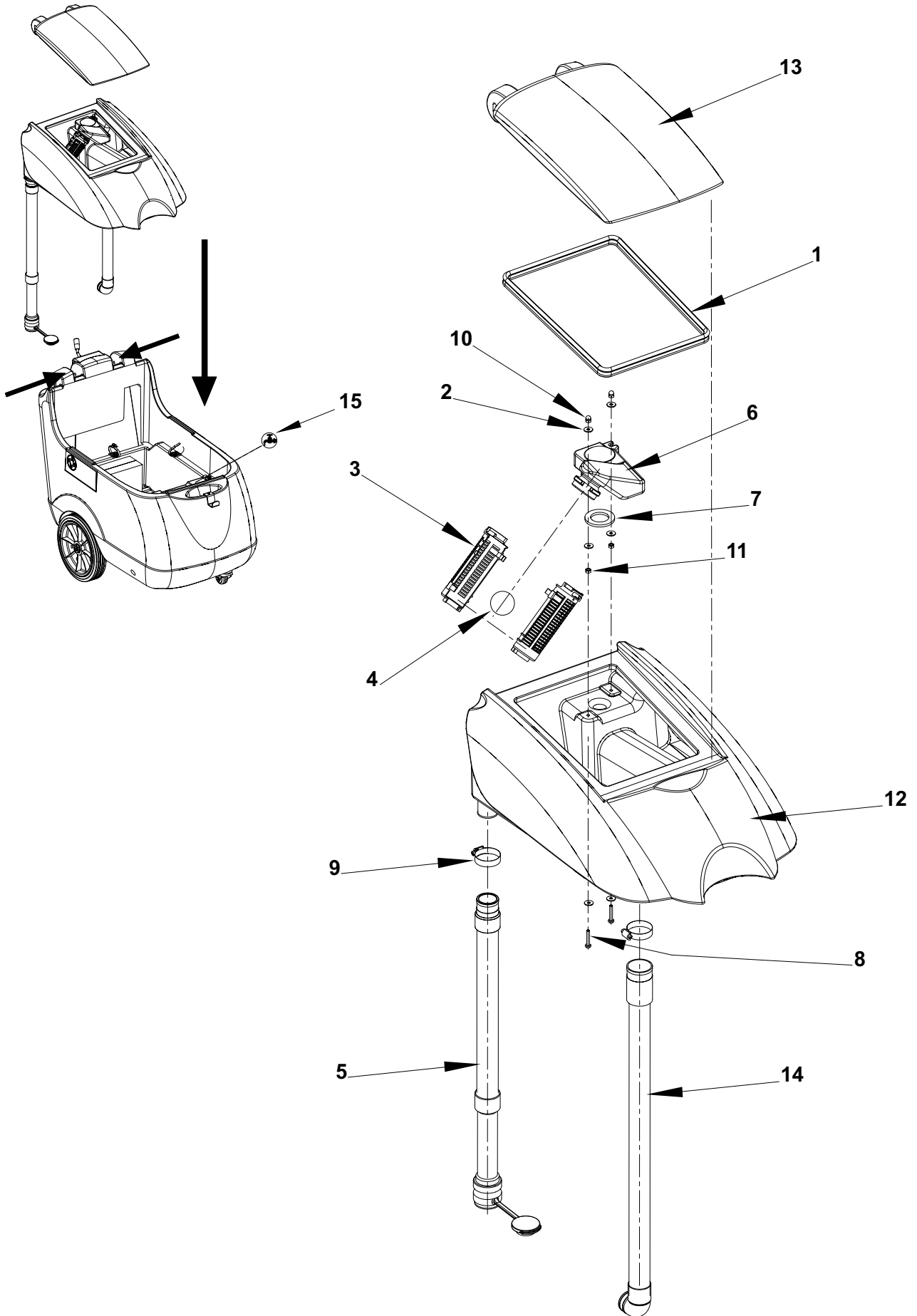
RECOVERY TANK

2005-01

6

MICROMATIC™ M17E - Before machine S/N 054619045

2007-05



2005-01	RECOVERY TANK			
2007-09	MICROMATIC™ M17E - Before machine S/N 054619045			7

Item No.	Ref. No.	Qty	Description
1	909 5716 000	1	GASKET
2	xxxxxxxxxx	6	WASHER FLAT 6X18 SS (RECOVERY TANK HARDWARE KIT)
3	56324497	2	FLOAT CAGE
4	56391690	1	FLOATING BALL
5#	L08812869	1	DRAIN HOSE
6#	L08812926	1	SUPPORT, FLAT CAGE
7#	L08812968	1	GASKET
8	xxxxxxxxxx	2	SCREW HEX HD M6X35 SS (RECOVERY TANK HARDWARE KIT)
9	xxxxxxxxxx	1	CLAMP (RECOVERY TANK HARDWARE KIT)
10	xxxxxxxxxx	2	BLIND NUT M6 SS (RECOVERY TANK HARDWARE KIT)
11	xxxxxxxxxx	2	NUT HEX M6 SS (RECOVERY TANK HARDWARE KIT)
12A	909 6061 000	1	RECOVERY TANK
13	909 5553 000	1	TANK COVER
14	909 5578 000	1	SUCTION HOSE
15	xxxxxxxxxx	1	DECAL WATER FAUCET (KIT DECALS MICROMATIC™ M17E)
[16]	909 5988 000	1	RECOVERY TANK HARDWARE KIT (2,8,9,10,11)

A: SEE TSB 2006-001

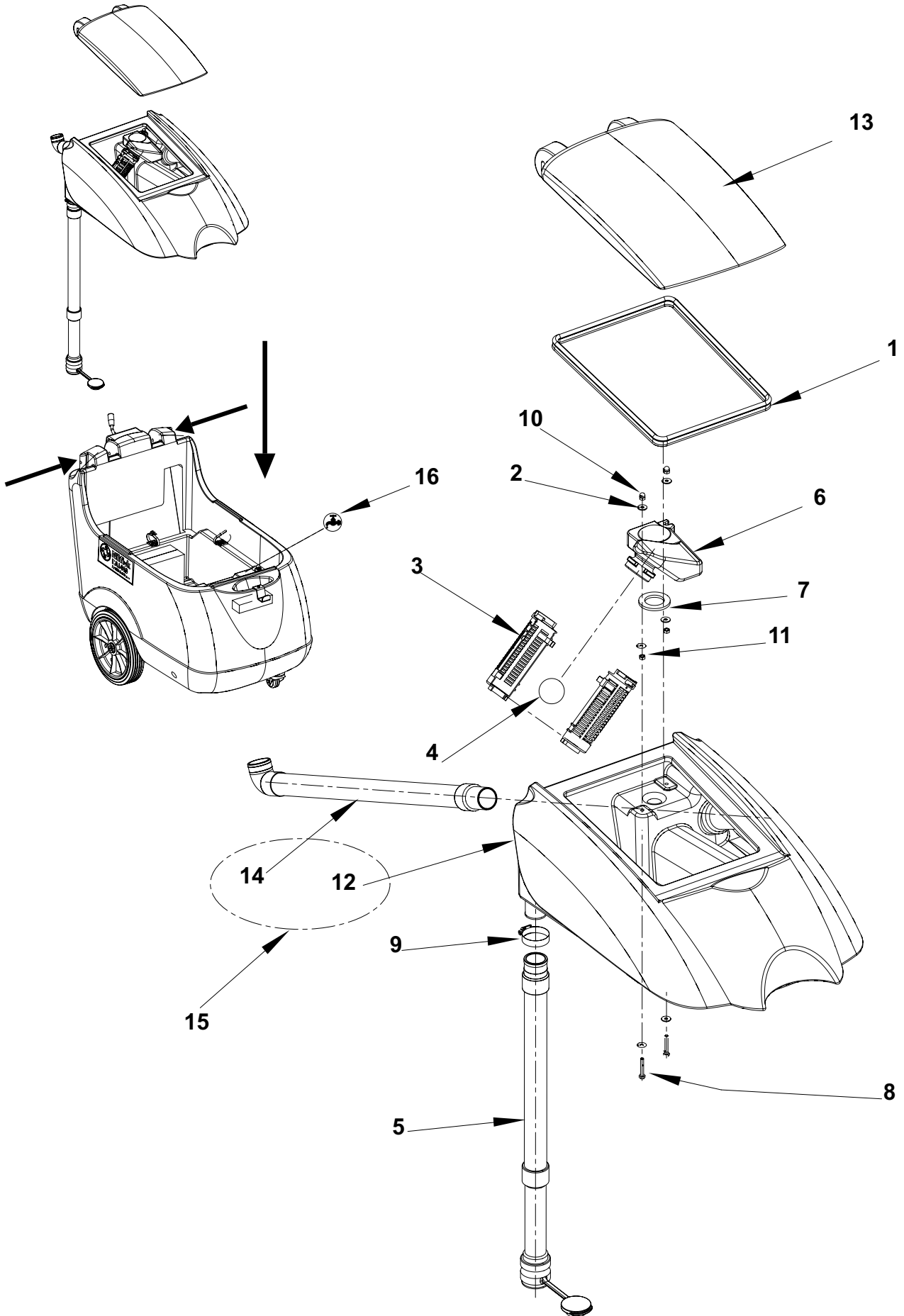
RECOVERY TANK

2005-01

8

MICROMATIC™ M17E - From machine S/N 054619045

2007-05



2005-01	RECOVERY TANK		
2007-09	MICROMATIC™ M17E - From machine S/N 054619045		9

Item No.	Ref. No.	Qty	Description
1	909 5716 000	1	GASKET
2	xxxxxxxxxx	6	WASHER FLAT 6X18 SS (RECOVERY TANK HARDWARE KIT)
3	56324497	2	FLOAT CAGE
4	56391690	1	FLOATING BALL
5#	L08812869	1	DRAIN HOSE
6#	L08812926	1	SUPPORT, FLAT CAGE
7#	L08812968	1	GASKET
8	145 0245 000	2	SCREW HEX HD M6X35 SS (RECOVERY TANK HARDWARE KIT)
9	145 0543 000	1	CLAMP (RECOVERY TANK HARDWARE KIT)
10	145 4618 000	2	BLIND NUT M6 SS (RECOVERY TANK HARDWARE KIT)
11	145 9960 000	2	NUT HEX M6 SS (RECOVERY TANK HARDWARE KIT)
12	909 6058 000	1	RECOVERY TANK
13	909 5553 000	1	TANK COVER
14	909 6060 000	1	SUCTION HOSE
15	909 6061 000	1	KIT RECOVERY TANK + SUCTION HOSE (12,14)
16#	L08603795	1	DECAL WATER FAUCET (KIT DECALS MICROMATIC™ M17E)
[17]	909 5988 000	1	RECOVERY TANK HARDWARE KIT (2,8,9,10,11)

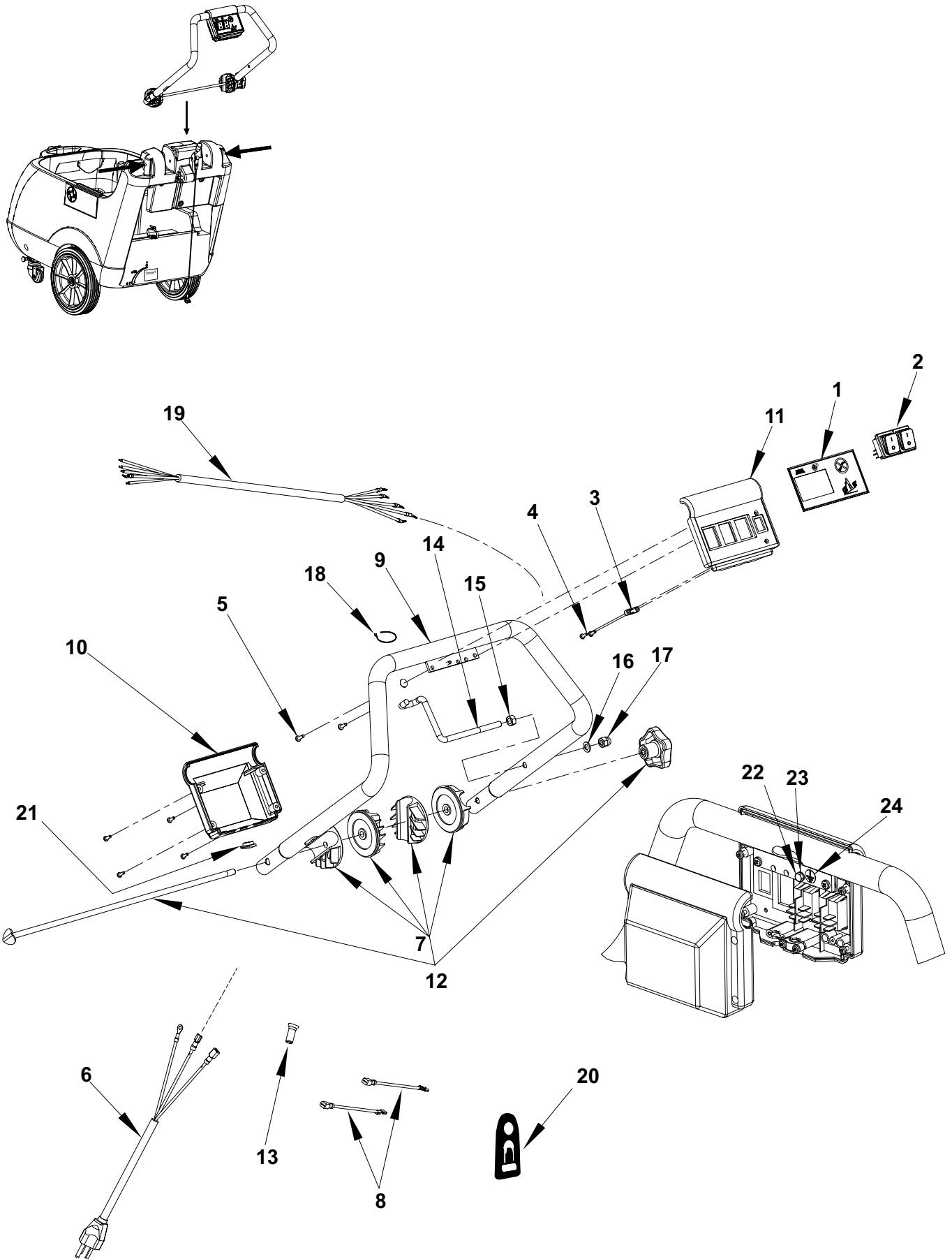
HANDLE ASSEMBLY

2005-01

10

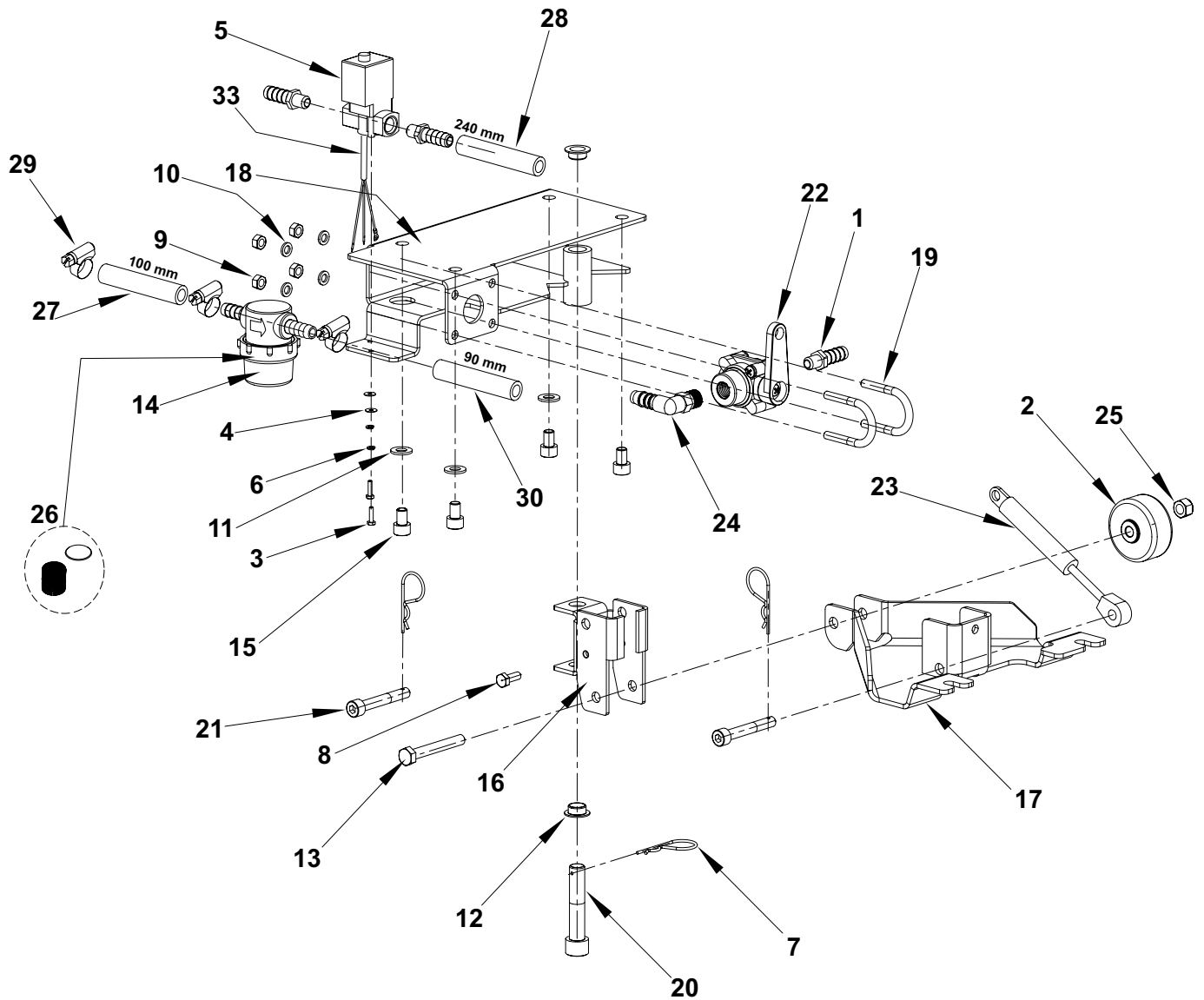
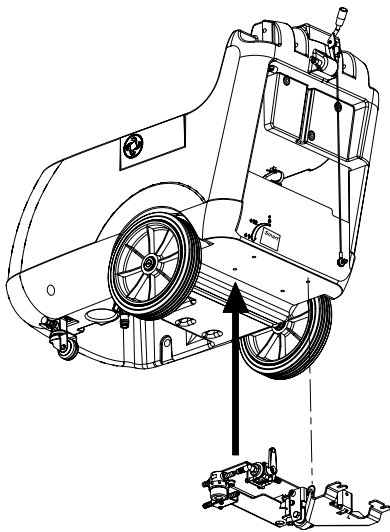
MICROMATIC™ M17E

2007-05



2005-01	HANDLE ASSEMBLY		
2007-09	MICROMATIC™ M17E		11

Item No.	Ref. No.	Qty	Description
1	909 5592 000	1	DECAL CONTROL PANEL
2	909 5584 000	2	SWITCH
3	xxxxxxxxxx	2	BLOCK, CABLE FIXING (HANDLE ASSEMBLY HARDWARE KIT)
4	xxxxxxxxxx	10	SCREW CYL HD 3,6X16 THD F. (HANDLE ASSEMBLY HARDWARE KIT)
5	xxxxxxxxxx	2	SCREW CYL HD 3,9X13 THD F. (HANDLE ASSEMBLY HARDWARE KIT)
6	909 5862 000	1	POWER CABLE
7	909 5099 000	1	HANDLE ADJUSTER KIT
8#	L08812916	2	CABLE BRIDGE
9	909 6579 000	1	HANDLE BAR
10	909 5847 000	1	SWITCH HOUSING LOWER
11	909 5846 000	1	SWITCH HOUSING UPPER
12	909 5701 000	1	HANDLE ADJUSTING KIT
13#	L08603150	1	CHOCK
14	909 5591 000	1	CABLE SUPPORT
15	xxxxxxxxxx	1	NUT HEX LOW M8 (HANDLE ASSEMBLY HARDWARE KIT)
16	xxxxxxxxxx	2	WASHER (HANDLE ASSEMBLY HARDWARE KIT)
17	xxxxxxxxxx	1	NUT BLIND (HANDLE ASSEMBLY HARDWARE KIT)
18	xxxxxxxxxx	1	CLAMP (HANDLE ASSEMBLY HARDWARE KIT)
19	909 5861 000	1	CONTROL PANEL CABLE
20#	L08601101	1	CABLE HOLDER
21	145 4259 000	1	CAP Ø 11.9
22	33003947	1	SCREW HEX M4X10
23	33005862	1	WASHER D4
24	909 6526 000	1	EARTHING DECAL
[25]	909 5791 000	1	CABLE EXTENSION
[26]	909 5989 000	1	HANDLE ASSEMBLY HARDWARE KIT (3,4,5,15,16,17,18)

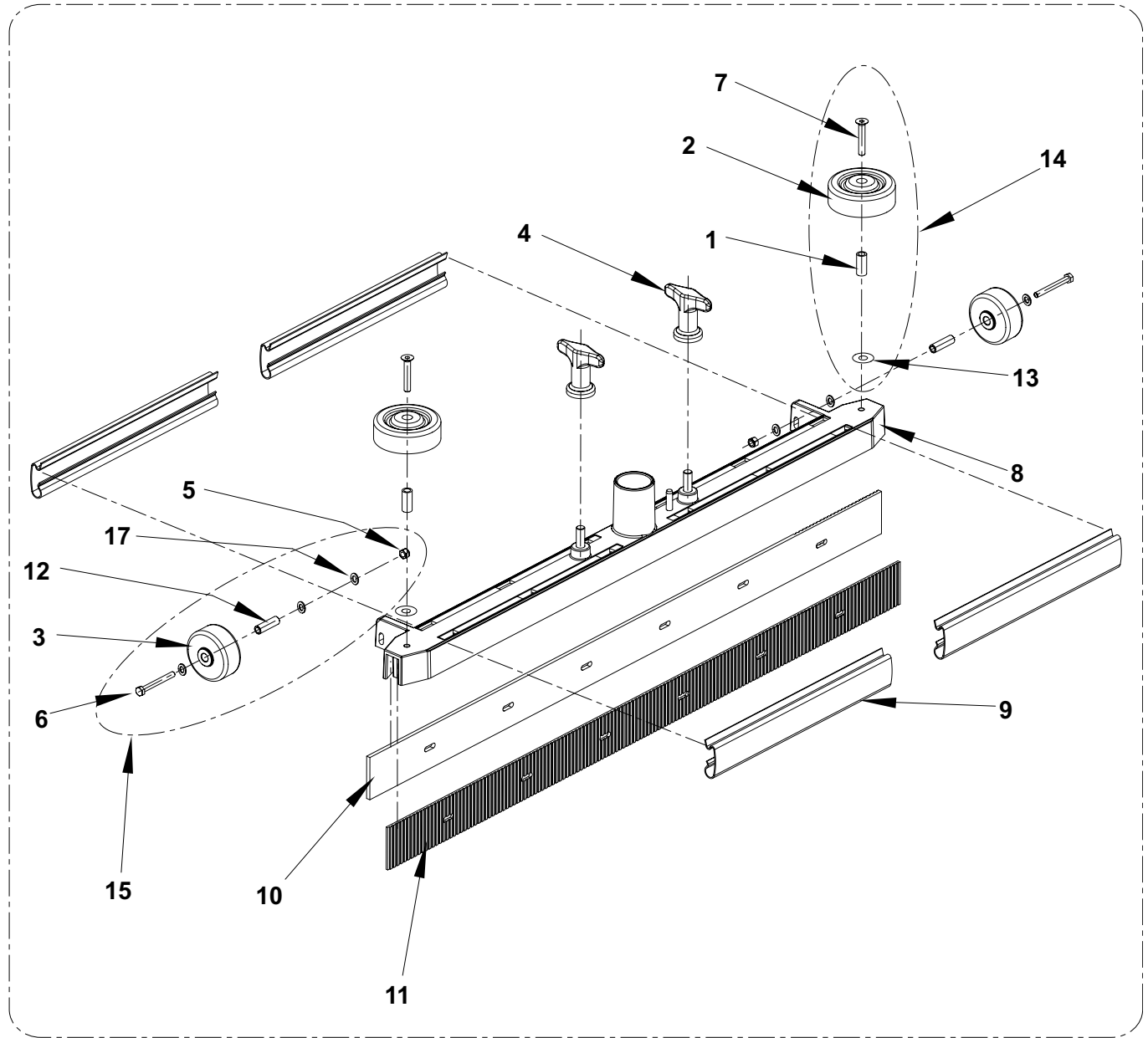
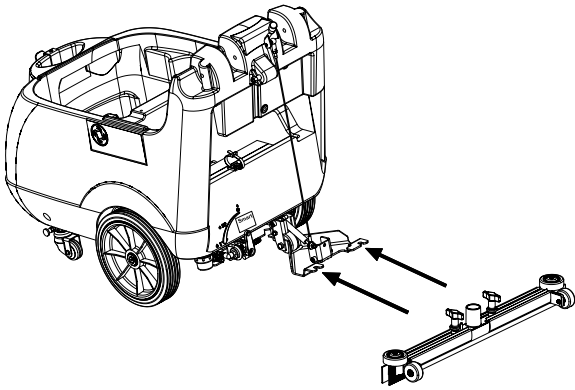


2005-01	<b>SOLUTION SYSTEM</b>			
2007-09	<b>MICROMATIC™ M17E</b>			<b>13</b>

Item No.	Ref. No.	Qty	Description
1	xxxxxxxxxx	3	RUBBER HOLDER (SOLENOID VALVE KIT)
2#	L08603665	1	WHEEL
3	xxxxxxxxxx	2	SCREW HEX HD M3X12 SS (SOLUTION SYSTEM HARDWARE KIT)
4	xxxxxxxxxx	2	WASHER FLAT 3X9 SS (SOLUTION SYSTEM HARDWARE KIT)
5#	L08812959	1	SOLENOID VALVE 110V 50-60HZ (SOLENOID VALVE KIT)
6	xxxxxxxxxx	2	WASHER SPLIT 3 SS (SOLUTION SYSTEM HARDWARE KIT)
7	xxxxxxxxxx	3	SPLIT PIN (SOLUTION SYSTEM HARDWARE KIT)
8	xxxxxxxxxx	1	SCREW HEX HD M6X16 SS (SOLUTION SYSTEM HARDWARE KIT)
9	xxxxxxxxxx	4	NUT HEX M6 SS (SOLUTION SYSTEM HARDWARE KIT)
10#	xxxxxxxxxx	4	WASHER FLAT 6X12,5 SS (SOLUTION SYSTEM HARDWARE KIT)
11	xxxxxxxxxx	3	WASHER FLAT 8X17 SS (SOLUTION SYSTEM HARDWARE KIT)
12	146 0549 000	2	BUSHING
13	xxxxxxxxxx	1	SCREW HEX HD M8X55 SS (SOLUTION SYSTEM HARDWARE KIT)
14B	9097166000	1	KIT WATER FILTER COMPLETE(26) (SOLENOID VALVE KIT)
15	xxxxxxxxxx	4	SCREW M8X12 (SOLUTION SYSTEM HARDWARE KIT)
16A	909 5566 000	1	BRACKET
17A	909 5567 000	1	SUPPORT
18	909 5571 000	1	PLATE
19	xxxxxxxxxx	2	CLAMP (SOLUTION SYSTEM HARDWARE KIT)
20	xxxxxxxxxx	1	SCREW M12X60 SS (SOLUTION SYSTEM HARDWARE KIT)
21	xxxxxxxxxx	2	SCREW M8X55 SS (SOLUTION SYSTEM HARDWARE KIT)
22	xxxxxxxxxx	1	VALVE (SOLENOID VALVE KIT)
23	909 5637 000	1	SPRING
24	xxxxxxxxxx	1	RUBBER HOLDER (SOLENOID VALVE KIT)
25	xxxxxxxxxx	1	NUT HEX LOW SELF LOCK M8 SS (SOLUTION SYSTEM HARDWARE KIT)
26B#	L08603893	1	KIT FILTER NET WITH GASKET
27	xxxxxxxxxx	1	HOSE Ø10 100 MM (SOLENOID VALVE KIT)
28	xxxxxxxxxx	1	HOSE Ø10 240 MM (SOLENOID VALVE KIT)
29	xxxxxxxxxx	3	CLAMP (SOLENOID VALVE KIT)
30	xxxxxxxxxx	1	HOSE Ø10 90 MM (SOLENOID VALVE KIT)
[31]#	L08603885	1	CONNECTOR FOR SOLENOID VALVE
[32]	909 5980 000	1	SOLENOID VALVE KIT (1,5,14,22,24,27,28,29,30)
33	909 5860 000	1	CABLE SOLENOID VALVE
[34]	909 5990 000	1	SOLUTION SYSTEM HARDWARE KIT (3,4,6,7,8,9,10,11,13,15,19,20,21,25)

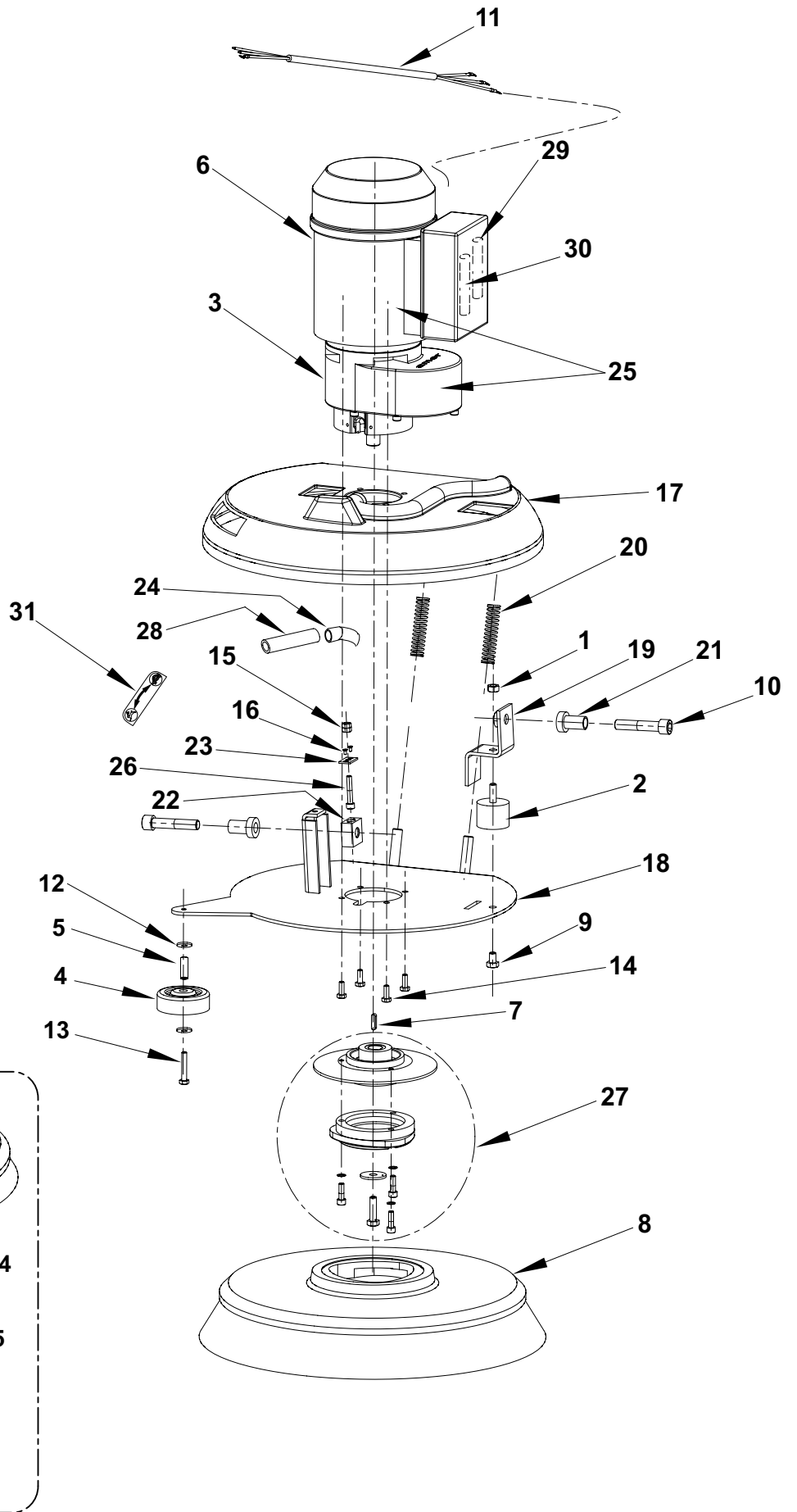
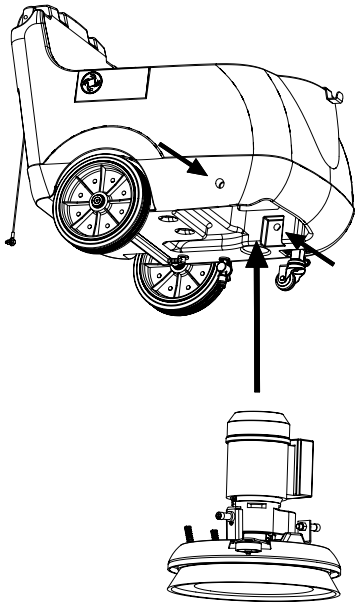
A: TSB IT 2007-015

B: TSB IT 2007-021



2005-01	<b>SQUEEGEE ASSEMBLY</b>			
2007-09	<b>MICROMATIC™ M17E</b>			<b>15</b>

Item No.	Ref. No.	Qty	Description
1	xxxxxxxxxx	2	SPACER (KIT SQUEEGEE BUMPER ROLLER - KIT SQUEEGEE COMPLETE - SQUEEGEE SYSTEM HARDWARE KIT)
2	xxxxxxxxxx	2	BUMPER ROLLER (KIT SQUEEGEE BUMPER ROLLER-KIT SQUEEGEE COMPLETE SQUEEGEE SYSTEM HARDWARE KIT)
3	xxxxxxxxxx	2	SQUEEGEE WHEEL (KIT SQUEEGEE WHEEL - KIT SQUEEGEE COMPLETE)
4	xxxxxxxxxx	2	NUT THUMB (KIT SQUEEGEE COMPLETE - SQUEEGEE SYSTEM HARDWARE KIT)
5	xxxxxxxxxx	2	NUT HEX LOW SELFLOCK M5 SS (KIT SQUEEGEE WHEEL - KIT SQUEEGEE COMPLETE - SQUEEGEE SYSTEM HARDWARE KIT)
6	xxxxxxxxxx	2	SCREW HEX HD M5X45 SS (KIT SQUEEGEE WHEEL -KIT SQUEEGEE COMPLETE - SQUEEGEE SYSTEM HARDWARE KIT)
7	xxxxxxxxxx	2	SCREW M6X35 (KIT SQUEEGEE BUMPER ROLLER- KIT SQUEEGEE COMPLETE - SQUEEGEE SYSTEM HARDWARE KIT)
8	909 5554 000	1	SQUEEGEE WELDMENT (KIT SQUEEGEE COMPLETE)
9	909 5555 000	4	SPRING (KIT SQUEEGEE COMPLETE)
10	909 5568 000	1	BLADE REAR (KIT SQUEEGEE COMPLETE)
11	909 5569 000	1	BLADE FRONT (KIT SQUEEGEE COMPLETE)
12	xxxxxxxxxx	2	SPACER (KIT SQUEEGEE WHEEL-KIT SQUEEGEE COMPLETE-SQUEEGEE SYSTEM HARDWARE KIT)
13	xxxxxxxxxx	2	WASHER FLAT 6X18 SS (KIT SQUEEGEE COMPLETE-SQUEEGEE SYSTEM HARDWARE KIT)
14#	L08603880	1	KIT SQUEEGEE BUMPER ROLLER (1,2,7,13)
15	909 5703 000	1	KIT SQUEEGEE WHEEL (3,5,6,12,17)
16	909 5702 000	1	KIT SQUEEGEE COMPLETE (1,2,3,4,5,6,7,8,9,10,11,12,13,17)
17	xxxxxxxxxx	6	WASHER FLAT 5X15 SS (KIT SQUEEGEE WHEEL-SQUEEGEE SYSTEM HARDWARE KIT -KIT SQUEEGEE COMPLETE)
<b>[18]*</b>	<b>909 5916 000</b>	<b>1</b>	<b>KIT CURVED SQUEEGEE COMPLETE TSB IT 2005 - 005</b>
[19]	909 5991 000	1	SQUEEGEE SYSTEM HARDWARE KIT (1,2,4,5,6,7,12,17)
[20]	909 5917 000	1	INSTALLATION INSTRUCTION FOR KIT CURVED SQUEEGEE



2005-01	<b>BRUSH SYSTEM</b>		
2007-09	<b>MICROMATIC™ M17E - Before machine S/N 054920336</b>		<b>17</b>

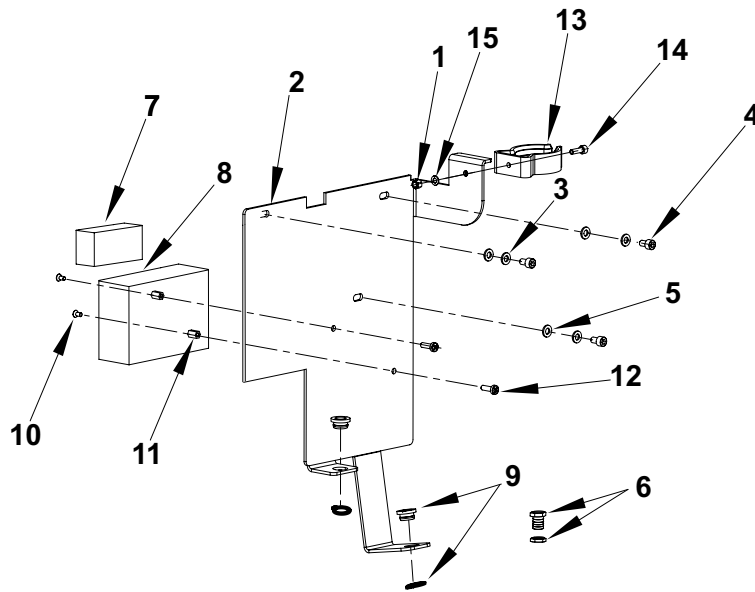
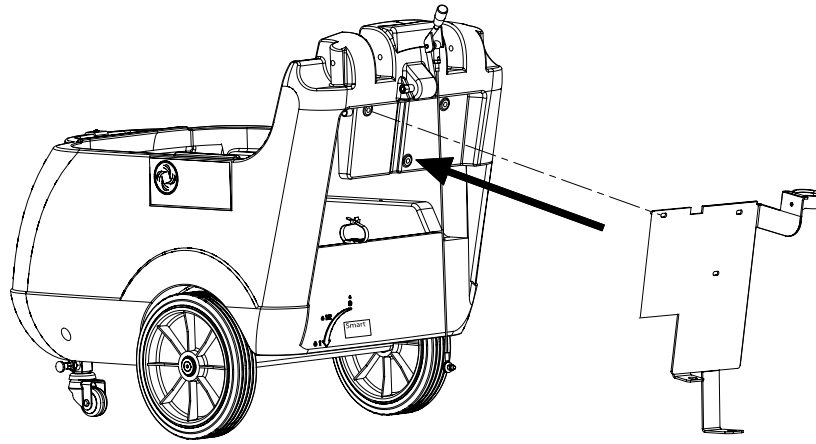
Item No.	Ref. No.	Qty	Description
1	xxxxxxxxxx	1	NUT (BRUSH SYSTEM HARDWARE KIT)
2	56325602	1	VIBRATION DAMPING
3	909 5480 000	1	REDUCTION GEAR
4	56363855	1	BUMPER ROLLER
5	909 5710 000	1	SPACER
6	909 5482 000	1	ELECTRIC MOTOR 550W 115V
7	xxxxxxxxxx	1	TAB (BRUSH SYSTEM HARDWARE KIT)
8#	L08812891	1	BRUSH Ø430 PROLENE PPL
8*	<b>909 5691 000</b>	<b>1</b>	<b>BRUSH Ø430 MIDLITE GRIT180</b>
8*	<b>909 5692 000</b>	<b>1</b>	<b>BRUSH Ø430 MIDGRIT 240</b>
8*	<b>909 5693 000</b>	<b>1</b>	<b>BRUSH Ø430 PROLITE</b>
8*	<b>909 5694 000</b>	<b>1</b>	<b>BRUSH Ø430 UNION MIX</b>
9	xxxxxxxxxx	1	SCREW HEX HD M8X12 (BRUSH SYSTEM HARDWARE KIT)
10	xxxxxxxxxx	2	SCREW M12X55 (BRUSH SYSTEM HARDWARE KIT)
11	909 5858 000	1	CABLE BRUSH MOTOR
12	xxxxxxxxxx	2	WASHER FLAT 6X18 (BRUSH SYSTEM HARDWARE KIT)
13	xxxxxxxxxx	1	SCREW HEX HD M6X35(BRUSH SYSTEM HARDWARE KIT)
14	xxxxxxxxxx	4	SCREW HEX HD M6X16 SS (BRUSH SYSTEM HARDWARE KIT)
15	xxxxxxxxxx	2	NUT HEX M6 SS (BRUSH SYSTEM HARDWARE KIT)
16	xxxxxxxxxx	2	SCREW M3X6 (BRUSH SYSTEM HARDWARE KIT)
17	909 5550 000	1	BRUSH PROTECTION
18	909 5556 000	1	PLATE BRUSH SUPPORT
19	909 5557 000	1	BRACKET
20	909 5558 000	2	SPRING
21	909 5559 000	2	BUSHING
22	909 5585 000	1	BRUSH DECK ADJUSTER BLOCK
23	909 5586 000	1	PLATE
24	909 5594 000	1	HOSE COPPER
25	909 5472 000	1	REDUCTIONGEAR MOTOR 550W 115V
26	xxxxxxxxxx	1	SCREW M6X25 (BRUSH SYSTEM HARDWARE KIT)
27#	L08812589	1	POLYGONAL HOLDER WITH FLANGE KIT
28	909 5622 000	1	HOSE Ø10 640 MM
29	909 5481 000	1	CAPACITOR WORK 450V 40MF
30	909 5106 000	1	CAPACITOR START 400V 65MF
31	xxxxxxxxxx	1	DECAL BRUSH ADJUSTING ((KIT DECALS MICROMATIC™ M17E)
[32]	909 5992 000	1	BRUSH SYSTEM HARDWARE KIT (1,7,9,10,12,13,14,15,16,26)
33*	909 5695 000	1	PAD HOLDER
34#	L08603966	1	RING NYLON
35#	L08837030	1	RETAINER PAD



2005-01	<b>BRUSH SYSTEM</b>		
2007-09	<b>MICROMATIC™ M17E - From machine S/N 054920336</b>		<b>19</b>

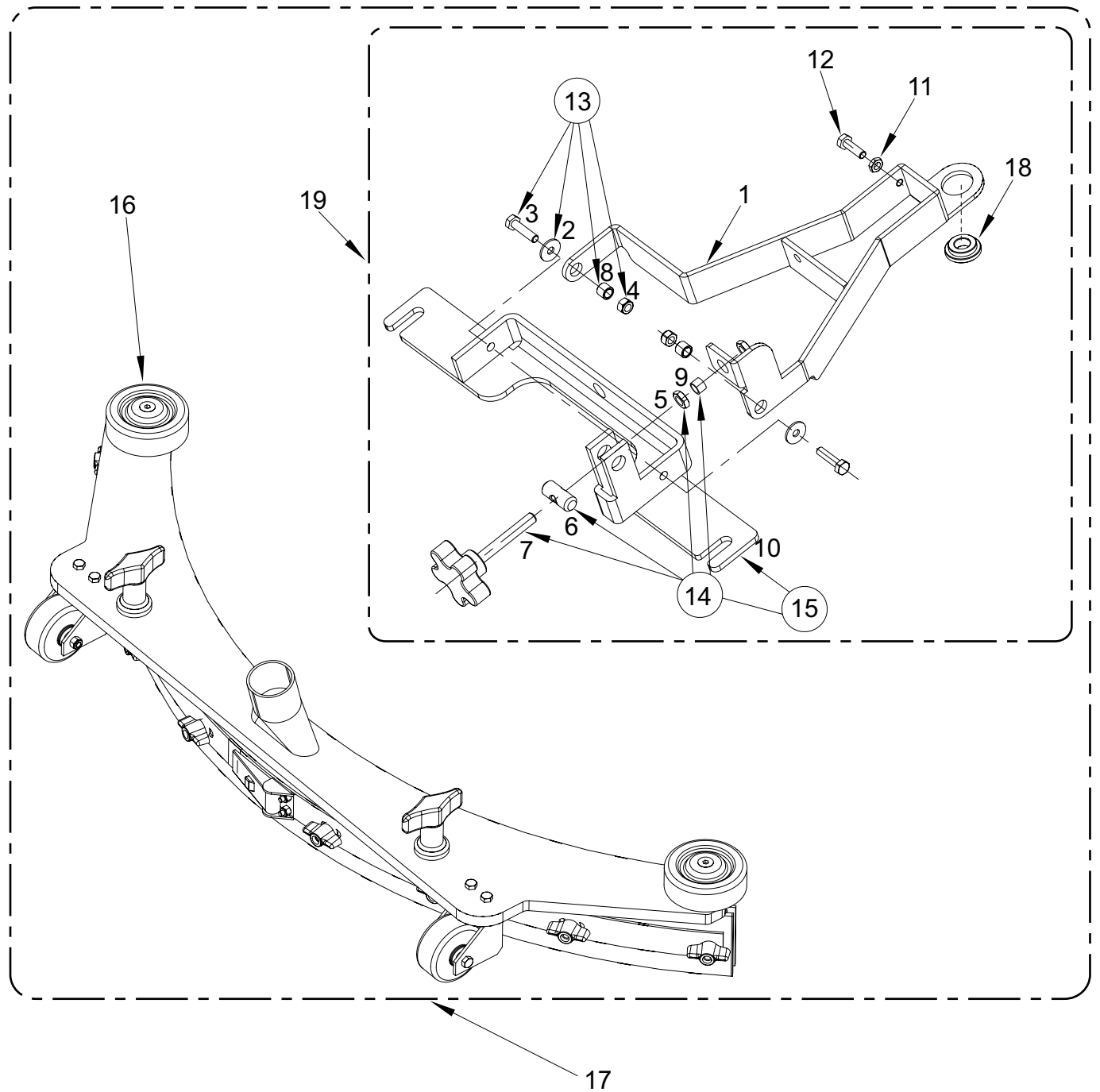
Item No.	Ref. No.	Qty	Description
1	xxxxxxxxxx	1	NUT (BRUSH SYSTEM HARDWARE KIT)
2A	9097184000	1	VIBRATION DAMPING
3	909 5480 000	1	REDUCTION GEAR
4	xxxxxxxxxx	1	BUMPER ROLLER (BUMPER ROLLER KIT)
5	xxxxxxxxxx	1	SPACER (BUMPER ROLLER KIT)
6	909 5482 000	1	ELECTRIC MOTOR 550W 115V
7	xxxxxxxxxx	1	TAB (BRUSH SYSTEM HARDWARE KIT)
8#	L08812891	1	BRUSH Ø430 PROLENE PPL
<b>8*</b>	<b>909 5691 000</b>	<b>1</b>	<b>BRUSH Ø430 MIDLITE GRIT180</b>
<b>8*</b>	<b>909 5692 000</b>	<b>1</b>	<b>BRUSH Ø430 MIDGRIT 240</b>
<b>8*</b>	<b>909 5693 000</b>	<b>1</b>	<b>BRUSH Ø430 PROLITE</b>
<b>8*</b>	<b>909 5694 000</b>	<b>1</b>	<b>BRUSH Ø430 UNION MIX</b>
9A	xxxxxxxxxx	1	SCREW HEX HD M8X12 SS(BRUSH SYSTEM HARDWARE KIT)
10	xxxxxxxxxx	2	SCREW M12X55 (BRUSH SYSTEM HARDWARE KIT)
11	909 5858 000	1	CABLE BRUSH MOTOR
12	xxxxxxxxxx	1	WASHER FLAT 6X18 (BRUSH SYSTEM HARDWARE KIT- BUMPER ROLLER KIT)
13	xxxxxxxxxx	1	SCREW M6X40 UNI5933(BRUSH SYSTEM HARDWARE KIT- BUMPER ROLLER KIT)
14	xxxxxxxxxx	4	SCREW HEX HD M6X16 SS (BRUSH SYSTEM HARDWARE KIT)
15	xxxxxxxxxx	2	NUT HEX M6 SS (BRUSH SYSTEM HARDWARE KIT)
16	xxxxxxxxxx	2	SCREW M3X6 (BRUSH SYSTEM HARDWARE KIT)
17	909 5550 000	1	BRUSH PROTECTION
18	909 6269 000	1	PLATE BRUSH SUPPORT
19	909 6270 000	1	BRACKET
20	909 5558 000	2	SPRING
21	909 5559 000	2	BUSHING
22	909 5585 000	1	BRUSH DECK ADJUSTER BLOCK
23	909 5586 000	1	PLATE
24	909 6217 000	1	HOSE COPPER
25	909 5472 000	1	REDUCTIONGEAR MOTOR 550W 115V
26	xxxxxxxxxx	1	SCREW M6X30 UNI5931 (BRUSH SYSTEM HARDWARE KIT)
27#	L08812589	1	POLYGONAL HOLDER WITH FLANGE KIT
28	909 5622 000	1	HOSE Ø10 640 MM
29	909 5481 000	1	CAPACITOR WORK 450V 40MF
30	909 5106 000	1	CAPACITOR START 400V 65MF
31	xxxxxxxxxx	1	DECAL BRUSH ADJUSTING ((KIT DECALS MICROMATIC™ M17E)
[32]	909 5992 000	1	BRUSH SYSTEM HARDWARE KIT (1,7,9,10,12,13,14,15,16,26,36,37)
<b>33*</b>	<b>909 5695 000</b>	<b>1</b>	<b>PAD HOLDER</b>
34#	L08603966	1	RING NYLON
35#	L08837030	1	RETAINER PAD
36	xxxxxxxxxx	2	SCREW HEX HD M4X8 (BRUSH SYSTEM HARDWARE KIT)
37	xxxxxxxxxx	2	WASHER FLAT 4X12 (BRUSH SYSTEM HARDWARE KIT)
38	xxxxxxxxxx	1	NUT HEX M6 SELFLOCK. LOW (BUMPER ROLLER KIT)
39	909 5397 000	1	BUMPER ROLLER KIT (4,5,12,13,38)

A: TSB IT 2007-018



2005-01	<b>WIRING SYSTEM</b>		
2007-09	<b>MICROMATIC™ M17E</b>		<b>21</b>

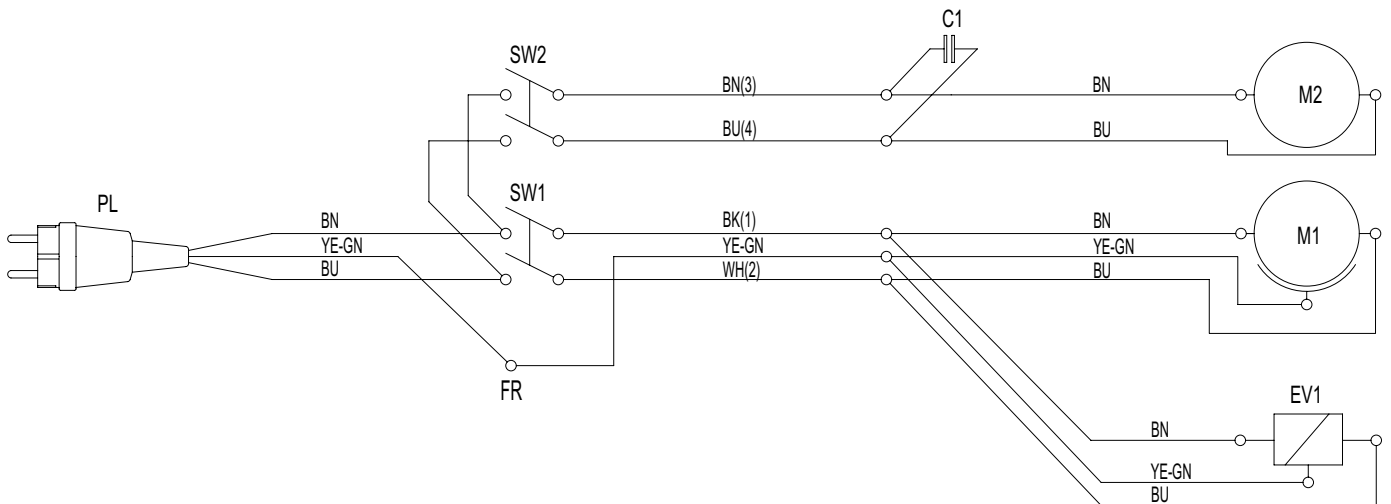
Item No.	Ref. No.	Qty	Description
1	xxxxxxxxxx	1	NUT SELF LOCKING M5 (WIRING SYSTEM HARDWARE KIT)
2	909 5789 000	1	PLATE ELECTRIC COMPONENTS FIXING
3	xxxxxxxxxx	3	WASHER FLAT 6X18 (WIRING SYSTEM HARDWARE KIT)
4	xxxxxxxxxx	3	SCREW HEX HD M6X12 (WIRING SYSTEM HARDWARE KIT)
5	xxxxxxxxxx	3	WASHER SPLIT (WIRING SYSTEM HARDWARE KIT)
6	909 5648 000	4	CLAMP CABLE
7	909 5650 000	1	TERMINAL BOARD 5 STUDS
8	909 5868 000	1	ELECTRIC BOX
9	909 6062 000	2	KIT BUSH CABLE GIUDE AND RETAINING RING
10	xxxxxxxxxx	2	SCREW M6X16 NYLON (WIRING SYSTEM HARDWARE KIT)
11	xxxxxxxxxx	2	SPACER (WIRING SYSTEM HARDWARE KIT)
12	xxxxxxxxxx	2	SCREW M6X10 (WIRING SYSTEM HARDWARE KIT)
13#	L08812967	1	CABLE CLAMP Ø50
14	xxxxxxxxxx	1	SCREW M5X16
15	xxxxxxxxxx	1	WASHER FLAT 5X10 (WIRING SYSTEM HARDWARE KIT)
[16]#	L08603912	1	SUPPRESSION CAPACITOR (WIRING SYSTEM HARDWARE KIT)
[17]	909 5993 000	1	WIRING SYSTEM HARDWARE KIT (1,3,4,5,10,11,12,14,15)
[18]	146 1595 000	1	CONNECTOR
[19]	909 5791 000	1	CABLE EXTENTION



2005-01	ACCESSORIES			
2007-09	MICROMATIC™ M17E			23

Item No.	Ref. No.	Qty	Description
1	909 5914 000	1	BRACKET
2	xxxxxxxxxx	2	WASHER FLAT ( FIXTURE NOZZLE HOLDER LEFT/RIGHT KIT)
3	xxxxxxxxxx	2	SCREW HEX HD M6X25 ( FIXTURE NOZZLE HOLDER LEFT/RIGHT KIT)
4	xxxxxxxxxx	2	NUT HEX LOW SELFLOCK M6 ( FIXTURE NOZZLE HOLDER LEFT/RIGHT KIT)
5	xxxxxxxxxx	2	NUT HEX LOW M8 ( ADJUSTMENT SCREW KIT)
6	xxxxxxxxxx	1	PIN ( ADJUSTMENT SCREW KIT)
7	xxxxxxxxxx	1	KNOB ( ADJUSTMENT SCREW KIT)
8	xxxxxxxxxx	2	SPACER ( FIXTURE NOZZLE HOLDER LEFT/RIGHT KIT)
9	xxxxxxxxxx	1	SPACER ( ADJUSTMENT SCREW KIT)
10	xxxxxxxxxx	1	SQUEEGEE LOWER HOLDER ( KIT SQUEEGEE HOLDER)
11	33005531	1	NUT HEX LOW M6
12	33003975	1	SCREW HEX M6X20
13	56325682	1	FIXTURE LEFT/RIGHT KIT (2,3,4,8)
14	56325684	1	ADJUSTMENT SCREW KIT (5,6,7,9)(KIT SQUEEGEE HOLDER)
15#	L08603876	1	KIT SQUEEGEE HOLDER (14,10)
<b>16*</b>	<b>L08603878</b>	<b>1</b>	<b>KIT SQUEEGEE CURVED</b>
<b>17*</b>	<b>909 5916 000</b>	<b>1</b>	<b>KIT CURVED SQUEEGEE COMPLETE</b>
18	909 5915 000	1	SPACER
19	909 6047 000	1	KIT SQUEEGEE SUPPORT (1,11,12,13,15,22)
[20]	56393285	1	SQUEEGEE BLADE FRONT
[21]	56325685	1	SQUEEGEE BLADE REAR
<b>[20]*#</b>	<b>L08837041</b>	<b>1</b>	<b>KIT OIL RESISTANT CURVED SQUEEGEE BLADES</b>
[21]	909 5917 000	1	INSTALLATION INSTRUCTIONS FOR CURVED SQUEEGEE COMPLETE

WIRING DIAGRAM  
909 5605 000



LEGENDA

C1	SUPPRESSION CAPACITOR 08603912
EV1	ELECTROVALVE 08812959
FR	HANDLE FRAME 909 5563 000
M1	BRUSH MOTOR 909 5472 0000
M2	VACUUM MOTOR KIT 909 5979 000
PL	PLUG 909 5862 000
SW1	BRUSH SWITCH 909 5584 000
SW2	VACUUM SWITCH 909 5584 000

COLORS CODES

BK	BLACK	nero
BU	BLUE	azzurro
BN	BROWN	marrone
GN	GREEN	verde
GY	GREY	grigio
OG	ORANGE	arancio
PK	PINK	rosa
RD	RED	rosso
VT	VIOLET	viola
WH	WHITE	bianco
YE	YELLOW	giallo

2005-01	<b>RECOMMENDED SPARE PARTS</b>		
2007-09	<b>MICROMATIC™ M17E</b>		<b>25</b>

	<b>Codice Ref. No.</b>	<b>Q.tà Qty</b>	<b>Description</b>
			<b>SOLUTION / RECOVERY TANK SYSTEMS</b>
	909 5573 000	1	SQUEEGEE LIFTING CABLE
	909 5700 000	1	KIT SQUEEGEE LIFTING CABLE
	909 5696 000	1	VALVE
	909 5716 000	1	GASKET
#	L08812869	1	DRAIN HOSE
	909 6060 000	1	SUCTION HOSE
	909 5986 000	1	SOLUTION TANK HARDWARE KIT
	909 5988 000	1	RECOVERY TANK HARDWARE KIT
			<b>VACUUM SYSTEM</b>
	909 5564 000	1	PIPE ACOUSTIC INSULATION
	909 5565 000	1	PIPE ACOUSTIC INSULATION
	909 5979 000	1	KIT VACUUM MOTOR WITH CONNECTOR
	909 5719 000	2	CARBON BRUSH
	909 5987 000	1	VACUUM SYSTEM HARDWARE KIT
			<b>HANDLE ASSEMBLY</b>
	909 5584 000	2	SWITCH
	909 5099 000	1	HANDLE ADJUSTER KIT
	909 5701 000	1	HANDLE ADJUSTING KIT
	909 5989 000	1	HANDLE ASSEMBLY HARDWARE KIT
			<b>SOLUTION SYSTEM</b>
#	L08812959	1	SOLENOID VALVE 24V
	9097166000	1	KIT WATER FILTER COMPLETE
#	L08603893	1	KIT FILTER NET WITH GASKET
	909 5980 000	1	SOLENOID VALVE KIT
	909 5990 000	1	SOLUTION SYSTEM HARDWARE KIT
			<b>SQUEEGEE SYSTEM</b>
	909 5554 000	1	SQUEEGEE WELDMENT
	909 5555 000	1	SPRING
	909 5568 000	1	BLADE REAR
	909 5569 000	1	BLADE FRONT
#	L08603880	1	KIT SQUEEGEE BUMPER ROLLER
	909 5703 000	1	KIT SQUEEGEE WHEEL
	909 5702 000	1	KIT SQUEEGEE COMPLETE
	909 5991 000	1	SQUEEGEE SYSTEM HARDWARE KIT
			<b>BRUSH SYSTEM</b>
	9097184000	1	VIBRATION DAMPING
	909 5397 000	1	BUMPER ROLLER KIT
#	L08812891	1	BRUSH Ø430 PROLENE PPL
	909 5558 000	2	SPRING
	909 5480 000	1	REDUCTIONGEAR MOTOR 520W
	909 5481 000	1	CAPACITOR 450V
	909 5106 000	1	CAPACITOR 400V
	909 5992 000	1	BRUSH SYSTEM HARDWARE KIT
			<b>WIRING SYSTEM</b>
#	L08603912	1	SUPPRESSION CAPACITOR
	909 5993 000	1	WIRING SYSTEM HARDWARE KIT
			<b>OPTIONALS</b>
	9096916000	1	FILTER
	909 5916 000	1	KIT CURVED SQUEEGEE COMPLETE TSB IT 2005 - 005
	909 5691 000	1	BRUSH Ø430 MIDLITE GRIT180
	909 5692 000	1	BRUSH Ø430 MIDGRIT 240
	909 5693 000	1	BRUSH Ø430 PROLITE
	909 5694 000	1	BRUSH Ø430 UNION MIX
	909 5695 000	1	PAD HOLDER
#	L08603878	1	KIT SQUEEGEE COMPLETE
	909 6047 000	1	KIT SQUEEGEE SUPPORT
#	L08837041	1	KIT OIL RESISTANT CURVED SQUEEGEE BLADES



**Nilfisk-Advance, Inc.**

14600 21st Avenue North

Plymouth, MN, 55447-3408

[www.nilfisk-advance.com](http://www.nilfisk-advance.com)

Phone: 800-989-2235

Fax: 800-989-6566

©2007 Nilfisk-Advance, Inc.,

Plymouth, MN 55447-3408

Printed in Italy