



Electronic Service Manuals

This electronic document is provided as a service to our customers. We do not create the contents of the information contained in this document. Should you have detailed questions pertaining to the information contained in this document, you may contact Michco, or the manufacturer which provided the original information in this electronic deliverable. Michco's only part in this electronic deliverable was the electronic assembly process. By providing this manual on line we are not guaranteeing parts availability.

You may contact Michco through the following methods:

Phone (517) 484-9312 or (800) 331-3339

2011 N. High St. -- Lansing, Michigan -- 48906

Fax: (517) 484-9836

Email: CustServe@Michco.com

Web site: www.Michco.Com

Parts Web site: www.FloorMachineParts.Com

Order Parts on Line at:

www.FloorMachineParts.Com

Directly to Parts & Service:

By Email: **Shop@Michco.com**

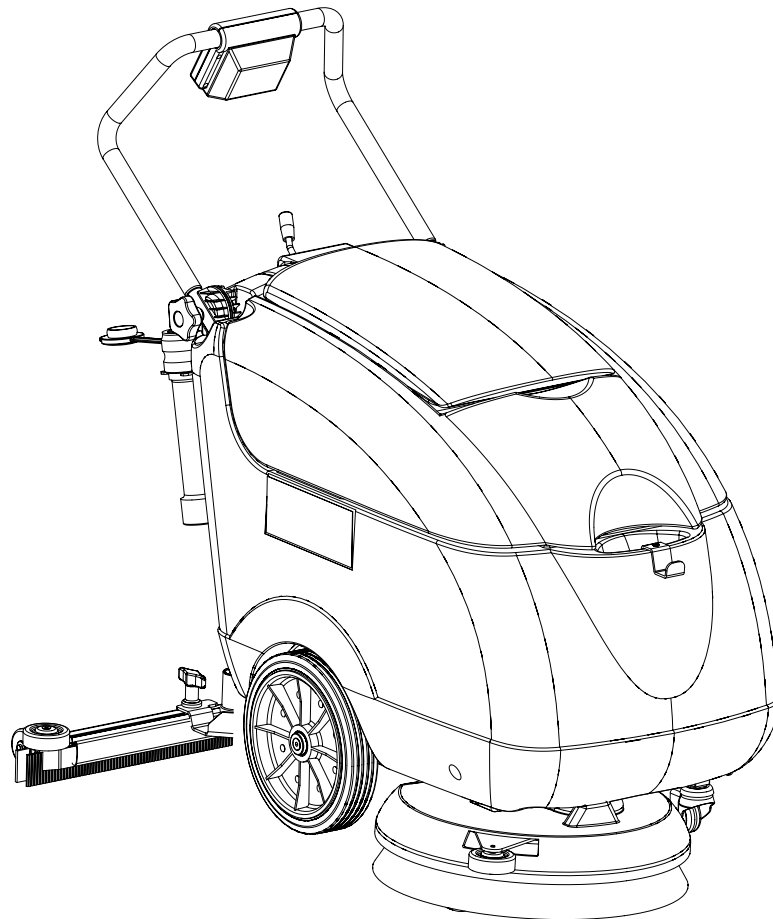
By Fax: (517) 702-2041

By Voice: Use numbers above.

Serving the Cleaning Industry Since 1922

Notice: All copyrighted material remains property of original owners, all trademarks are property of respective owners. Manuals are subject to Manufacturer's reproduction limitations. Originals or reproductions were provided by manufacturers through a request. We make no warranty as to the correctness of information provided in this document and you assume all risk. By placing these manuals on line we are not declaring our corporation to be an manufacturer authorized dealer or provider, please check our web site for authorized manufacturers we represent.

Micromatic™ M17B



PARTS LIST

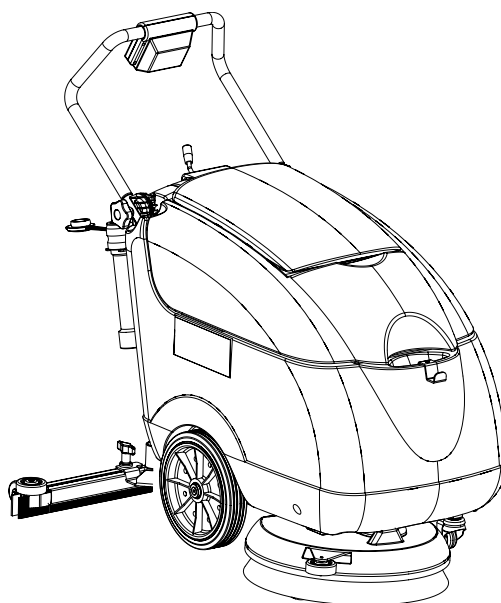
Advance model: 908 7057 020



Advance

by Nilfisk-Advance

909 5854 000(4)2007-09



DESCRIPTION

PLAN

SOLUTION TANK	2 - 3
VACUUM SYSTEM	4 - 5
RECOVERY TANK	6 - 9
HANDLE ASSEMBLY	10 - 11
SOLUTION SYSTEM	12 - 13
SQUEEGEE SYSTEM	14 - 15
BRUSH SYSTEM	16 - 19
WIRING SYSTEM	20 - 21
ACCESSORIES	22 - 23
WIRING DIAGRAM	24 - 25
RECOMMENDED SPARE PARTS	26 - 27

WHEN ORDERING PARTS

- * Use the 8, 9 or 10 digit numbers from the "Ref. No." columns in this parts list.
- * Specify the model and serial number of the machine.
- * Use the space below to record the model and serial number for future reference.

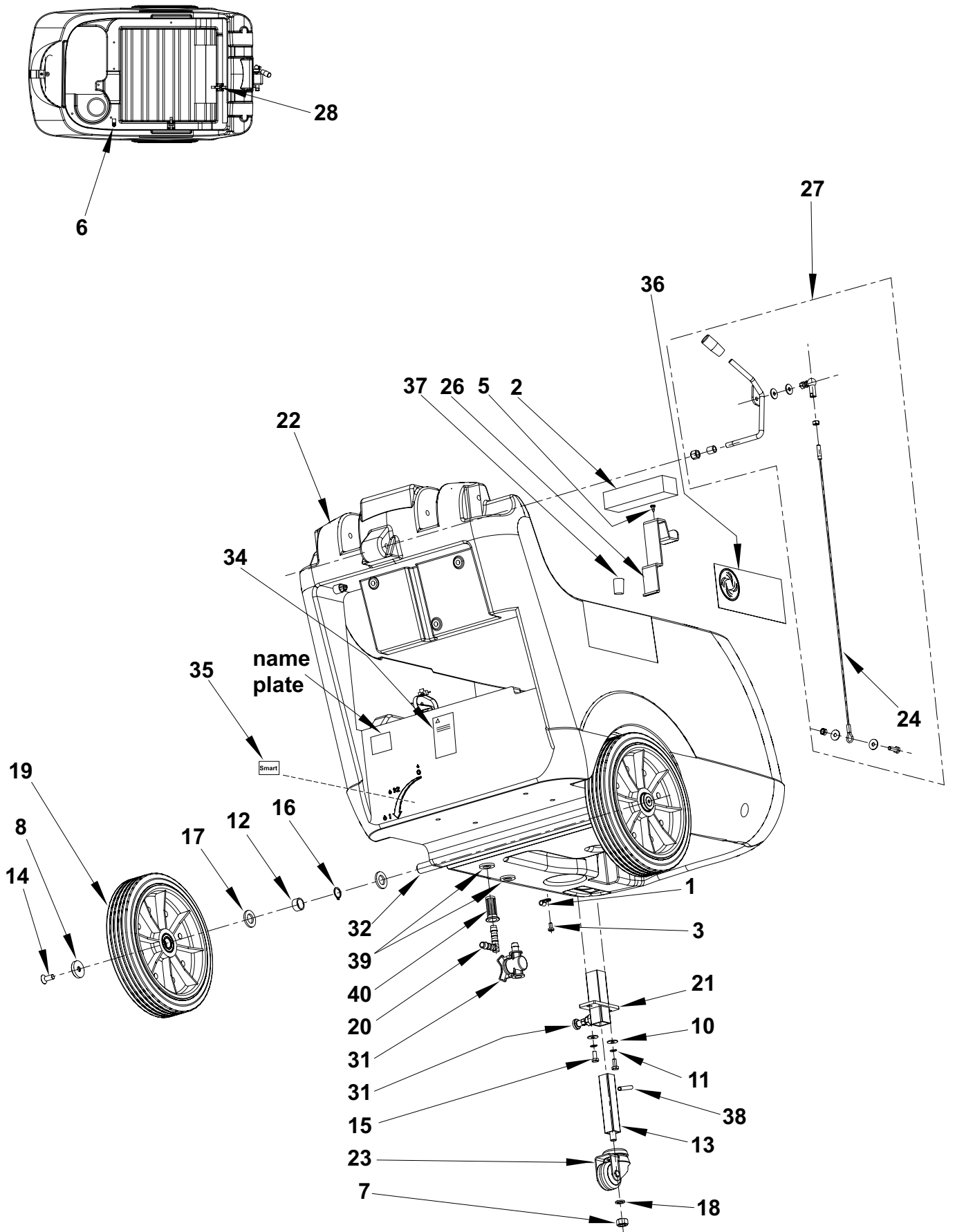
Model _____ Serial No. _____

*** = Optional**

= Modified item No. or New item No.

[] = Not shown

xxxxxx = Contained in a Kit

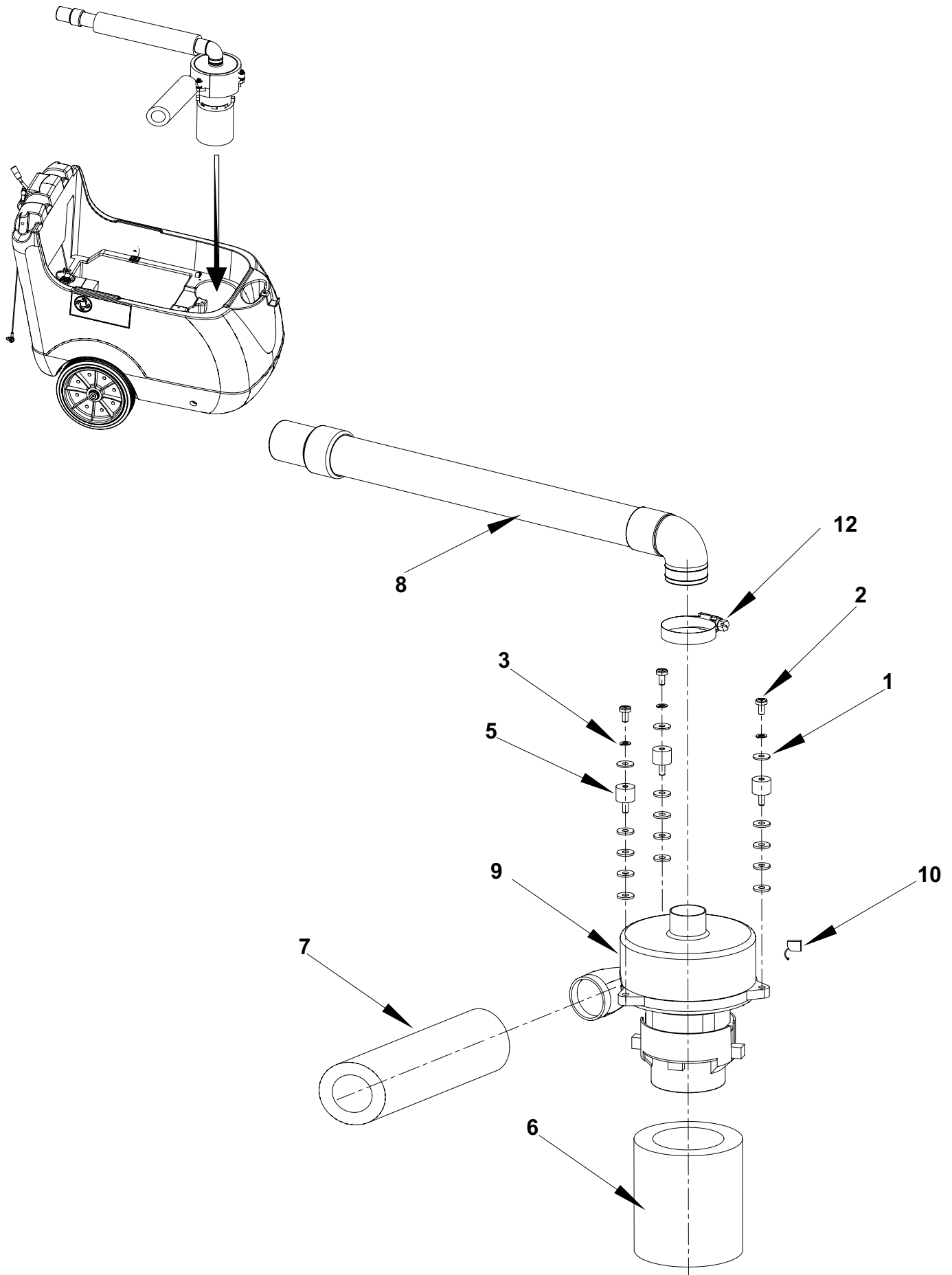


2005-01	SOLUTION TANK			
2007-05	MICROMATIC™ M17B			3

Item No.	Ref. No.	Qty	Description
1	xxxxxxxxxx	2	CLAMP (SOLUTION TANK HARDWARE KIT)
2	909 5674 000	1	SPONGE FRESH WATER INLET
3	xxxxxxxxxx	5	SCREW CYL HD M5X10 (SOLUTION TANK HARDWARE KIT)
5	xxxxxxxxxx	1	SCREW 4,2X9,5 THD FORM (SOLUTION TANK HARDWARE KIT)
6	xxxxxxxxxx	2	CLAMP (SOLUTION TANK HARDWARE KIT)
7	xxxxxxxxxx	1	NUT HEX HIGHT SELF LOCK M10 (SOLUTION TANK HARDWARE KIT)
8	xxxxxxxxxx	2	SPACER FOR TANK (SOLUTION TANK HARDWARE KIT)
10	xxxxxxxxxx	2	WASHER FLAT 6X18 (SOLUTION TANK HARDWARE KIT)
11	xxxxxxxxxx	2	WASHER SPLIT 6 (SOLUTION TANK HARDWARE KIT)
12	xxxxxxxxxx	2	SPACER (SOLUTION TANK HARDWARE KIT)
13	909 5658 000	1	SUPPORTING ROD
14	xxxxxxxxxx	2	SCREW M8X20 (SOLUTION TANK HARDWARE KIT)
15	xxxxxxxxxx	2	SCREW HEX HD 6X14 (SOLUTION TANK HARDWARE KIT)
16	xxxxxxxxxx	2	RETAINING RING (SOLUTION TANK HARDWARE KIT)
17	xxxxxxxxxx	6	WASHER FLAT 16X30 (SOLUTION TANK HARDWARE KIT)
18	xxxxxxxxxx	1	WASHER FLAT 11X16 (SOLUTION TANK HARDWARE KIT)
19A	9096915000	2	WHEEL
20	909 5895 000	1	ELBOW 90° Ø10
21	909 5649 000	1	SUPPORT
22	909 5551 000	1	SOLUTION TANK
23	909 5560 000	1	WHEEL
24	909 5573 000	1	SQUEEGEE LIFTING CABLE (KIT SQUEEGEE LIFT CABLE)
[25]	909 5976 000	1	KIT DECALS MICROMATIC™ M17B (DECAL WARNING, DECAL SMART SOLUTIONS, DECAL MICROMATIC™ M17B [PAGE 3 POS. 34,35,36], DECAL WATER FAUCET- DECAL BATTERY [PAGE 6 POS.15,16], DECAL BRUSH ADJUSTING [PAGE 14 POS. 29], DECAL FUSE 40A- DECAL FUSE 30A- DECAL TENSION [PAGE 16 POS.47, 48, 55])
26	909 5644 000	1	BRACKET
27	909 5700 000	1	KIT SQUEEGEE LIFT CABLE (24)
28	xxxxxxxxxx	8	CLAMP (SOLUTION TANK HARDWARE KIT)
30	909 5641 000	1	INDEXING PLUNGER
31	909 5696 000	1	VALVE
32	909 5748 000	1	SHAFT, WHEELS
[33]	909 5986 000	1	SOLUTION TANK HARDWARE KIT (1,3,5,6,7,8,10,11,12,14,15,16,17,18,28)
34	xxxxxxxxxx	1	DECAL WARNING (KIT DECALS MICROMATIC™ M17B)
35	xxxxxxxxxx	1	DECAL SMART SOLUTIONS (KIT DECALS MICROMATIC™ M17B)
36	xxxxxxxxxx	2	DECAL MICROMATIC™ M17B (KIT DECALS MICROMATIC™ M17B)
37	909 6236 000	1	BLACK CAP
38	909 6441 000	1	PIN 3X20
39	909 5286 000	2	GASKET
40*A	9096916000	1	FILTER
[41]	909 6226 000	1	RUBBER SHOCK ABSORBER KIT
[42]	909 6227 000	1	INSTALLATION INSTRUCTION FOR RUBBER SHOCK ABSORBER KIT

DELETED ITEM: 4 - 9 - 29

A: TSB IT 2007-015



2005-01	VACUUM SYSTEM			
2007-05	MICROMATIC™ M17B			5

Item No.	Ref. No.	Qty	Description
1	xxxxxxxxxx	15	WASHER FLAT 6X18 (VACUUM SYSTEM HARDWARE KIT)
2	xxxxxxxxxx	3	SCREW CYL HD M6X12 (VACUUM SYSTEM HARDWARE KIT)
3	xxxxxxxxxx	3	WASHER SPLIT 6 (VACUUM SYSTEM HARDWARE KIT)
5	909 5198 000	3	VIBRATION DAMPING M6
6	909 5564 000	1	PIPE ACOUSTIC INSULATION
7	909 5565 000	1	PIPE ACOUSTIC INSULATION
8	909 5579 000	1	VACUUM MOTOR HOSE
9	909 5713 000	1	KIT VACUUM MOTOR WITH CONNECTOR
10	909 5371 000	2	CARBON BRUSH
[11]	909 5987 000	1	VACUUM SYSTEM HARDWARE KIT (1,2,3)
12	145 0543 000	1	CLAMP

DELETED ITEM: 4

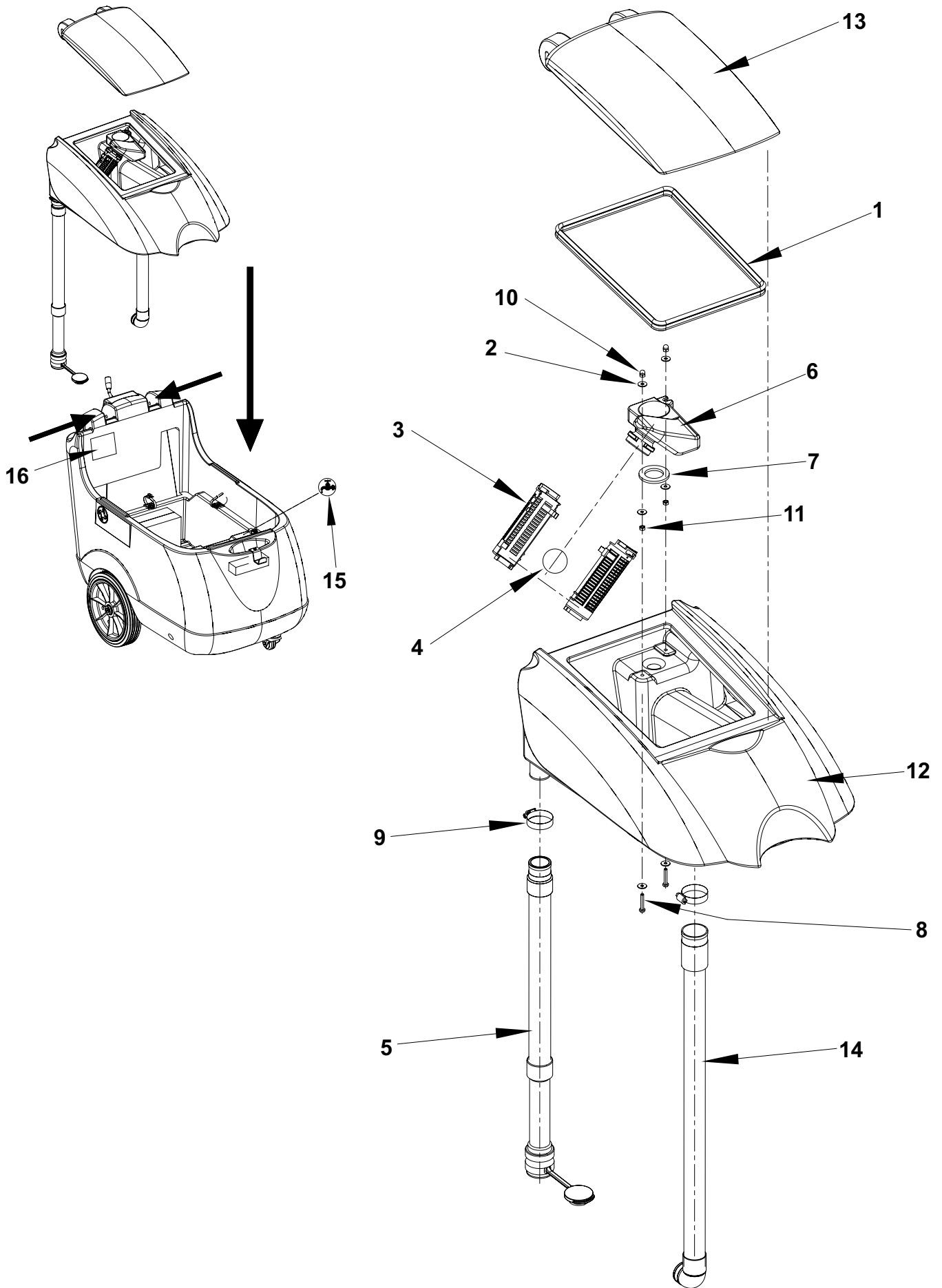
RECOVERY TANK

2005-01

6

MICROMATIC™ M17B - Before machine S/N 054418642

2007-05



2005-01	RECOVERY TANK			
2007-09	MICROMATIC™ M17B - Before machine S/N 054418642			7

Item No.	Ref. No.	Qty	Description
1	909 5716 000	1	GASKET
2	xxxxxxxxxx	6	WASHER FLAT 6X18 SS (RECOVERY TANK HARDWARE KIT)
3	56324497	2	FLOAT CAGE
4	56391690	1	FLOATING BALL
5#	L08812869	1	DRAIN HOSE
6#	L08812926	1	SUPPORT, FLAT CAGE
7#	L08812968	1	GASKET
8	xxxxxxxxxx	2	SCREW HEX HD M6X35 SS (RECOVERY TANK HARDWARE KIT)
9	xxxxxxxxxx	2	CLAMP (RECOVERY TANK HARDWARE KIT)
10	xxxxxxxxxx	2	BLIND NUT M6 SS (RECOVERY TANK HARDWARE KIT)
11	xxxxxxxxxx	2	NUT HEX M6 SS (RECOVERY TANK HARDWARE KIT)
12A	909 6061 000	1	RECOVERY TANK KIT
13	909 5553 000	1	TANK COVER
14	909 5578 000	1	SUCTION HOSE
15	xxxxxxxxxx	1	DECAL WATER FAUCET (KIT DECALS MICROMATIC™ M17B)
16	xxxxxxxxxx	1	DECAL BATTERIES (KIT DECALS MICROMATIC™ M17B)
[17]	909 5988 000	1	RECOVERY TANK HARDWARE KIT (2,8,9,10,11)

A: SEE TSB 2006-001

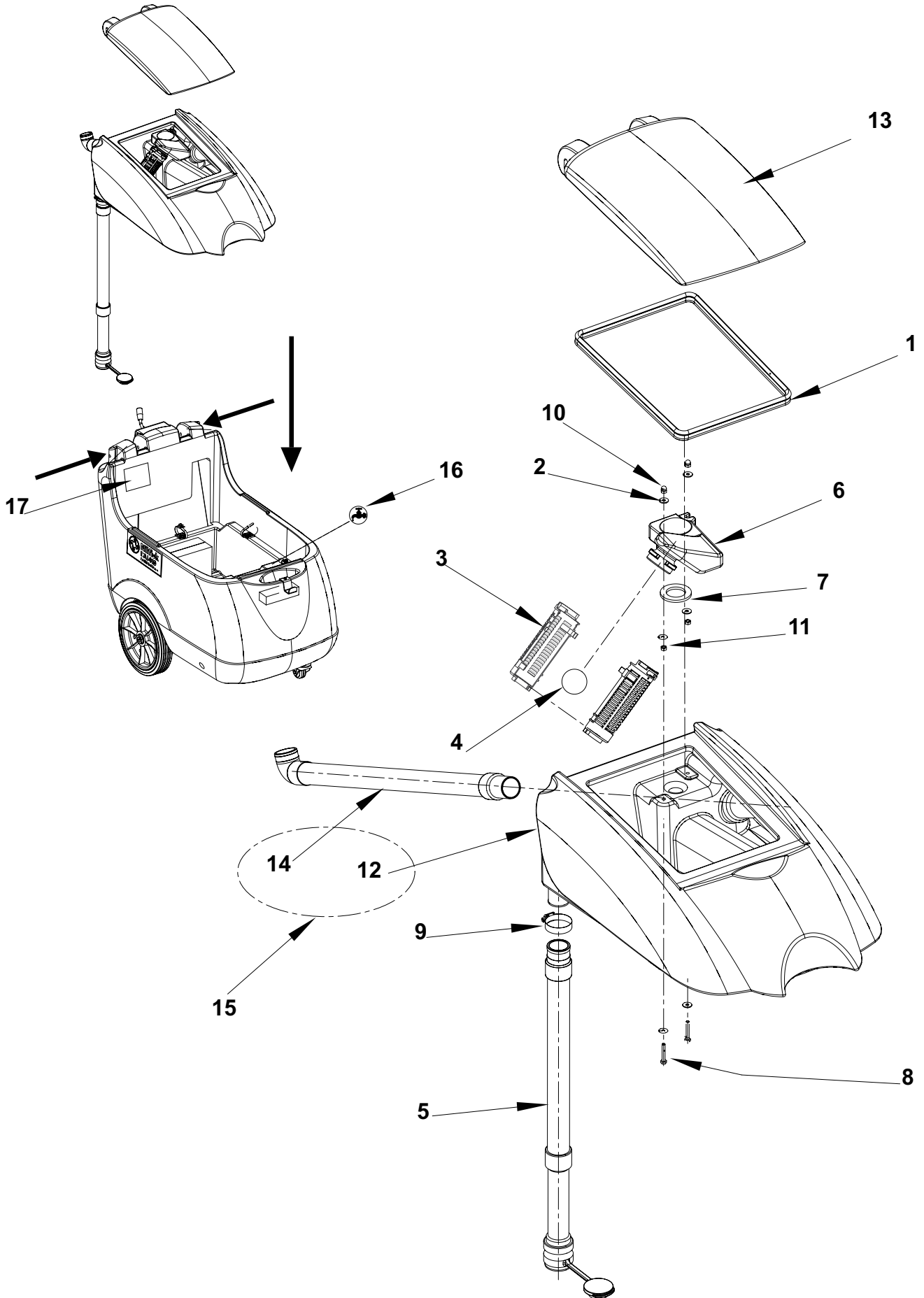
RECOVERY TANK

2005-01

8

MICROMATIC™ M17B - From machine S/N 054418642

2007-05



2005-01	RECOVERY TANK			
2007-09	MICROMATIC™ M17B - From machine S/N 054418642			9

Item No.	Ref. No.	Qty	Description
1	909 5716 000	1	GASKET
2	xxxxxxxxxx	6	WASHER FLAT 6X18 SS (RECOVERY TANK HARDWARE KIT)
3	56324497	2	FLOAT CAGE
4	56391690	1	FLOATING BALL
5#	L08812869	1	DRAIN HOSE
6#	L08812926	1	SUPPORT, FLAT CAGE
7#	L08812968	1	GASKET
8	xxxxxxxxxx	2	SCREW HEX HD M6X35 SS (RECOVERY TANK HARDWARE KIT)
9	xxxxxxxxxx	2	CLAMP (RECOVERY TANK HARDWARE KIT)
10	xxxxxxxxxx	2	BLIND NUT M6 SS (RECOVERY TANK HARDWARE KIT)
11	xxxxxxxxxx	2	NUT HEX M6 SS (RECOVERY TANK HARDWARE KIT)
12	909 6058 000	1	RECOVERY TANK
13	909 5553 000	1	TANK COVER
14	909 6060 000	1	SUCTION HOSE
15	xxxxxxxxxx	1	KIT RECOVERY TANK + SUCTION HOSE (12,14)
16	xxxxxxxxxx	1	DECAL WATER FAUCET (KIT DECALS MICROMATIC™ M17B)
17	909 5643 000	1	DECAL BATTERIES (KIT DECALS MICROMATIC™ M17B)
[18]	909 5988 000	1	RECOVERY TANK HARDWARE KIT (2,8,9,10,11)

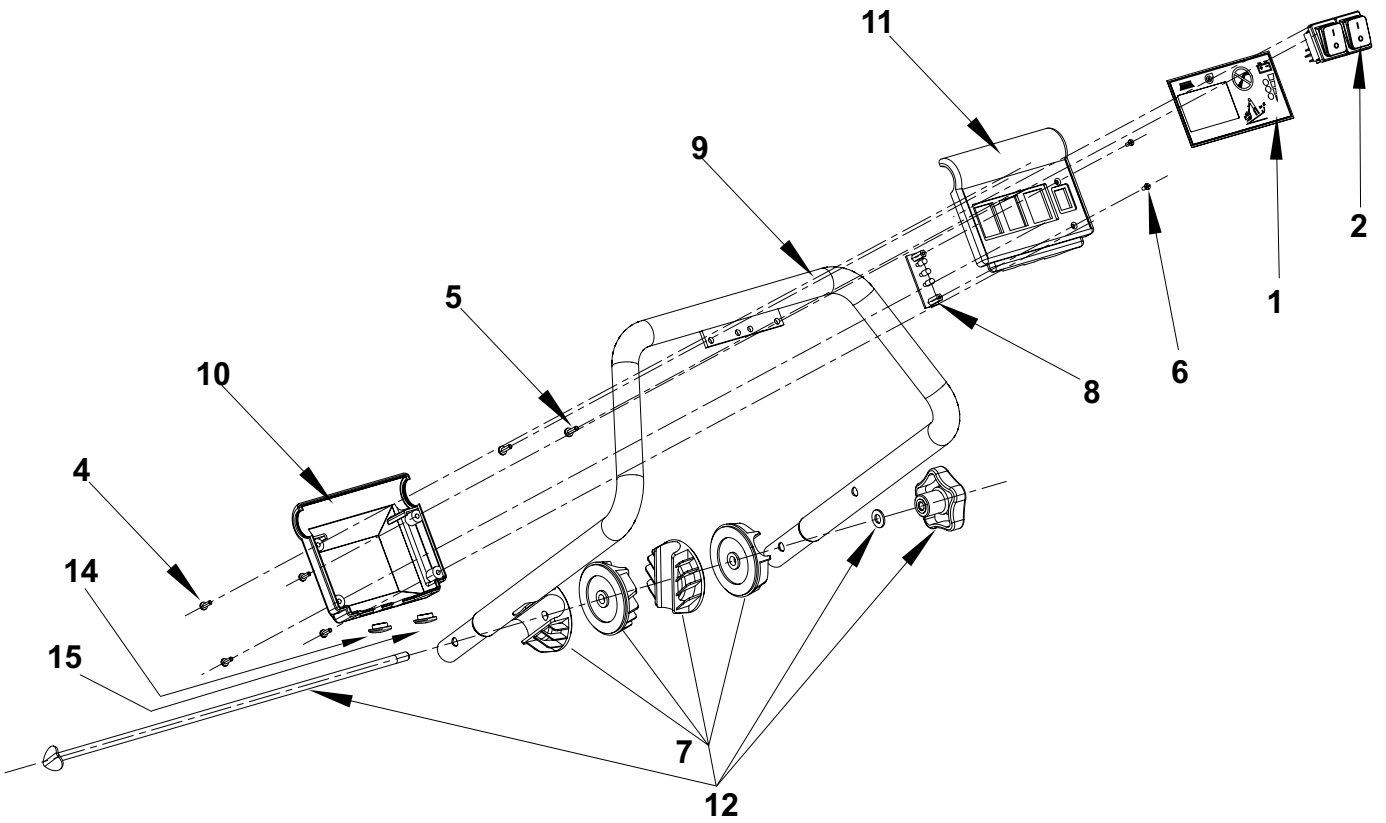
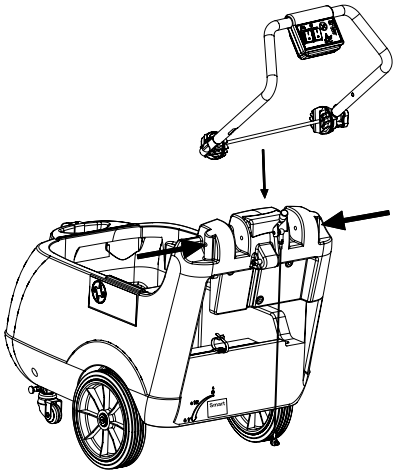
HANDLE ASSEMBLY

2005-01

10

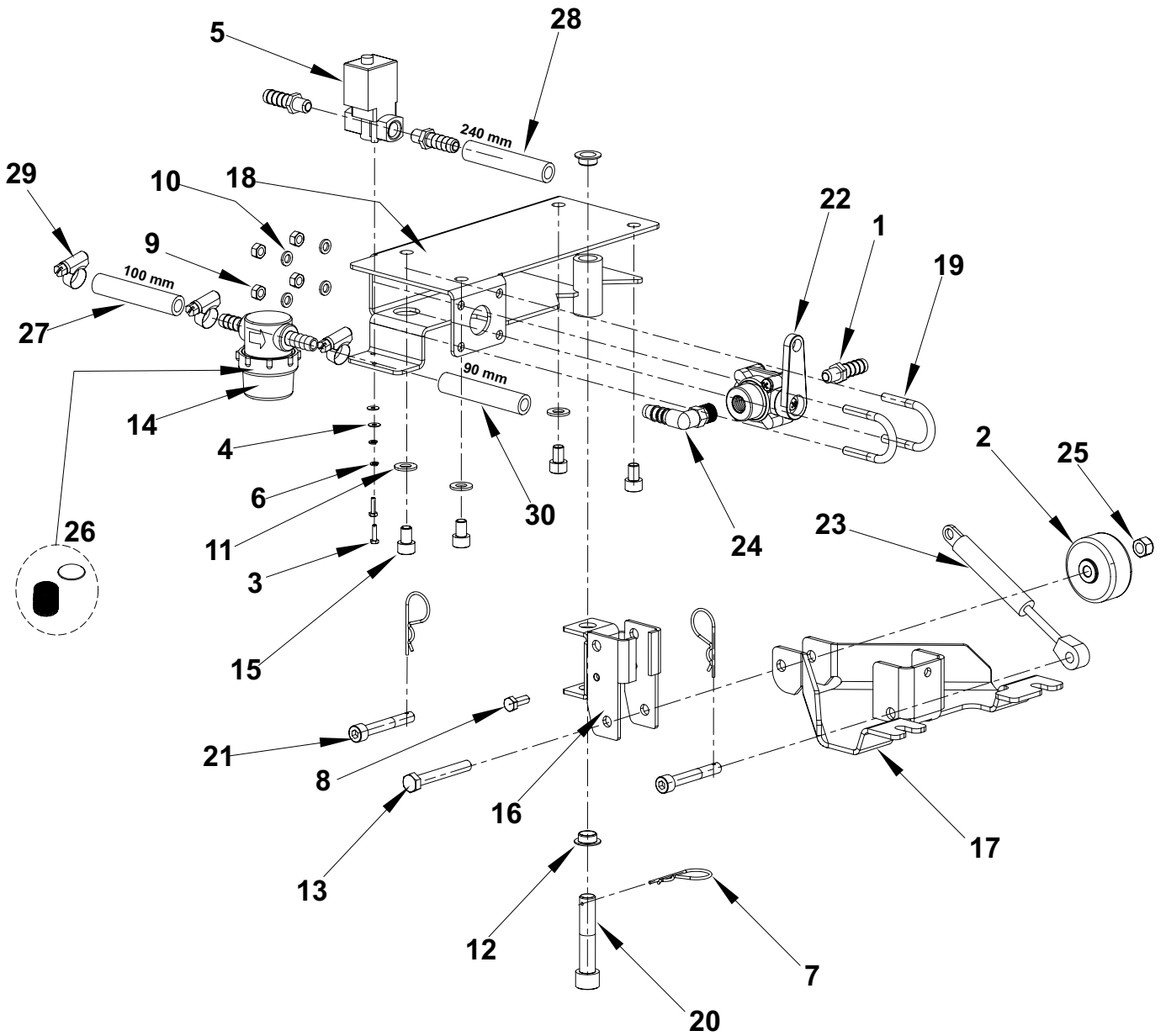
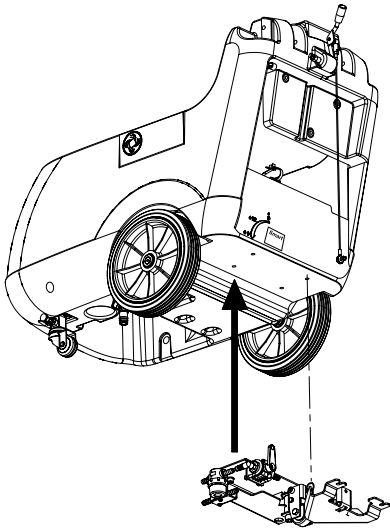
MICROMATIC™ M17B

2005-08



2005-01	HANDLE ASSEMBLY			
2007-09	MICROMATIC™ M17B			11

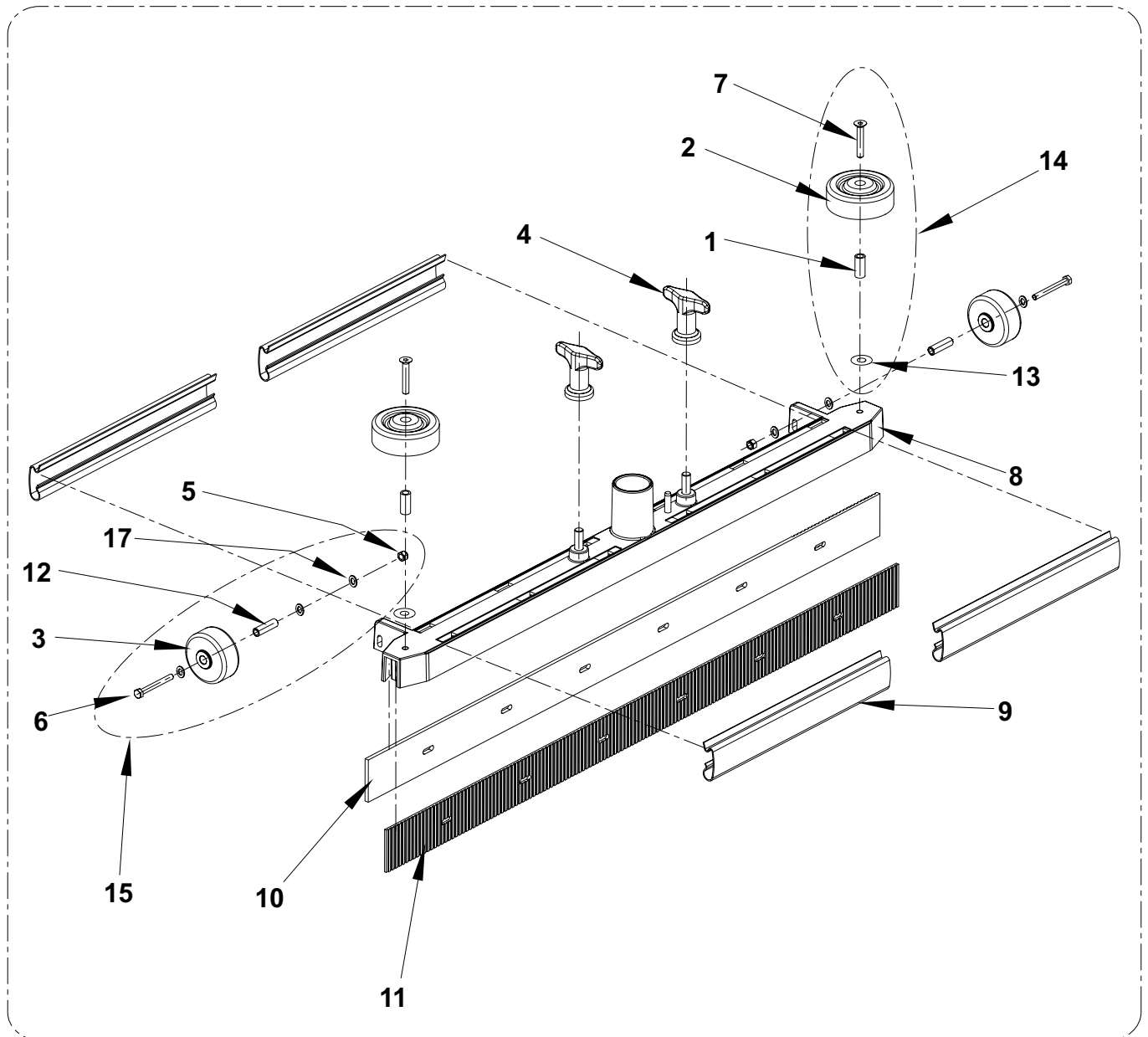
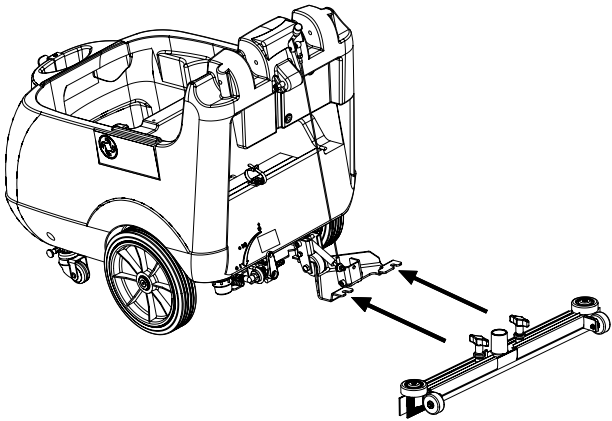
Item No.	Ref. No.	Qty	Description
1	909 5587 000	1	DECAL CONTROL PANEL
2	909 5584 000	2	SWITCH
4	xxxxxxxxxx	4	SCREW CYL HD 3,6X16 THD F.(HANDLE ASSEMBLY HARDWARE KIT)
5	xxxxxxxxxx	2	SCREW CYL HD 3,9X13 THD F.(HANDLE ASSEMBLY HARDWARE KIT)
6	xxxxxxxxxx	2	SCREW M3X8 (HANDLE ASSEMBLY HARDWARE KIT)
7	909 5099 000	1	HANDLE ADJUSTER KIT (HANDLE ADJUSTING KIT)
8#	L08812909	1	LED CARD
9	909 5563 000	1	HANDLE BAR
10	909 5847 000	1	SWITCH HOUSING LOWER
11	909 5846 000	1	SWITCH HOUSING UPPER
12	909 5701 000	1	HANDLE ADJUSTING KIT (7)
[13]	909 5995 000	1	HANDLE ASSEMBLY HARDWARE KIT (3,4,5,6)
14	145 4259 000	1	CAP Ø 11.9
15	145 4260 000	1	CAP Ø 14.7



2005-01	SOLUTION SYSTEM			
2007-09	MICROMATIC™ M17B			13

Item No.	Ref. No.	Qty	Description
1	xxxxxxxxxx	3	RUBBER HOLDER (SOLENOID VALVE KIT)
2#	L08603665	1	WHEEL
3	xxxxxxxxxx	2	SCREW HEX HD M3X12 SS (SOLUTION SYSTEM HARDWARE KIT)
4	xxxxxxxxxx	2	WASHER FLAT 3X9 SS (SOLUTION SYSTEM HARDWARE KIT)
5#	L08812960	1	SOLENOID VALVE 24V (SOLENOID VALVE KIT)
6	xxxxxxxxxx	2	WASHER SPLIT 3 SS (SOLUTION SYSTEM HARDWARE KIT)
7	xxxxxxxxxx	3	SPLIT PIN (SOLUTION SYSTEM HARDWARE KIT)
8	xxxxxxxxxx	1	SCREW HEX HD M6X16 SS (SOLUTION SYSTEM HARDWARE KIT)
9	xxxxxxxxxx	4	NUT HEX M6 SS (SOLUTION SYSTEM HARDWARE KIT)
10	xxxxxxxxxx	4	WASHER FLAT 6X12,5 SS (SOLUTION SYSTEM HARDWARE KIT)
11	xxxxxxxxxx	3	WASHER FLAT 8X17 SS (SOLUTION SYSTEM HARDWARE KIT)
12	146 0549 000	2	BUSHING
13	xxxxxxxxxx	1	SCREW HEX HD M8X55 SS (SOLUTION SYSTEM HARDWARE KIT)
14B	9097166000	1	KIT WATER FILTER COMPLETE(26) (SOLENOID VALVE KIT)
15	xxxxxxxxxx	4	SCREW M8X12 (SOLUTION SYSTEM HARDWARE KIT)
16A	909 5566 000	1	BRACKET
17A	909 5567 000	1	SUPPORT
18	909 5571 000	1	PLATE
19	xxxxxxxxxx	2	CLAMP (SOLUTION SYSTEM HARDWARE KIT)
20	xxxxxxxxxx	1	SCREW M12X60 SS (SOLUTION SYSTEM HARDWARE KIT)
21	xxxxxxxxxx	2	SCREW M8X55 SS (SOLUTION SYSTEM HARDWARE KIT)
22	xxxxxxxxxx	1	VALVE (SOLENOID VALVE KIT)
23	909 5637 000	1	SPRING
24	xxxxxxxxxx	1	RUBBER HOLDER (SOLENOID VALVE KIT)
25	xxxxxxxxxx	1	NUT HEX LOW SELF LOCK M8 SS (SOLUTION SYSTEM HARDWARE KIT)
26B#	L08603893	1	KIT FILTER NET WITH GASKET
27	xxxxxxxxxx	1	HOSE Ø10 100 MM (SOLENOID VALVE KIT)
28	xxxxxxxxxx	1	HOSE Ø10 240 MM (SOLENOID VALVE KIT)
29	xxxxxxxxxx	3	CLAMP (SOLENOID VALVE KIT)
30	xxxxxxxxxx	1	HOSE Ø10 90 MM (SOLENOID VALVE KIT)
[31]#	L08603885	1	CONNECTOR FOR SOLENOID VALVE
[32]	909 5977 000	1	SOLENOID VALVE KIT (1,5,14,22,24,27,28,29,30)
[33]	909 5990 000	1	SOLUTION SYSTEM HARDWARE KIT (3,4,6,7,8,9,10,11,13,15,19,20,21,25)

A: TSB IT 2007-015
B: TSB IT 2007-021

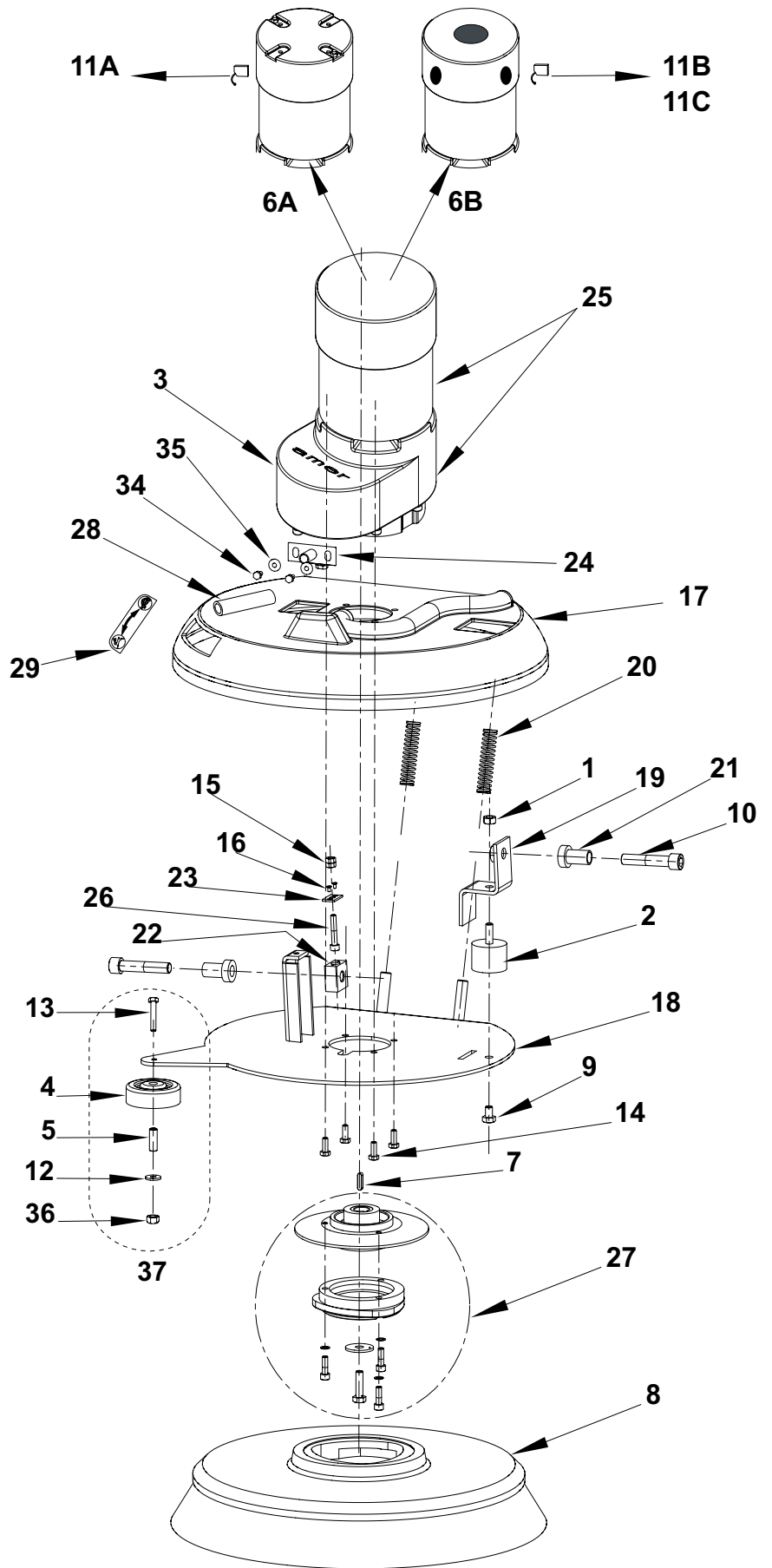
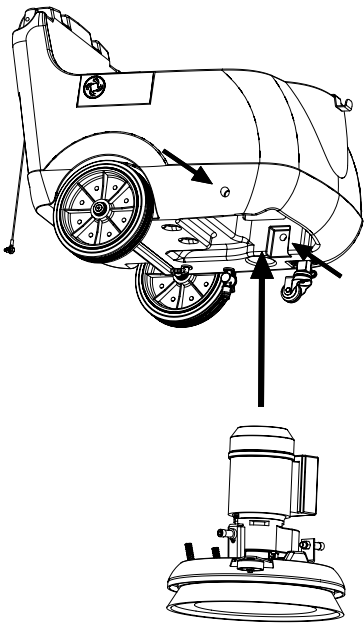


2005-01	SQUEEGEE ASSEMBLY			
2007-09	MICROMATIC™ M17B			15

Item No.	Ref. No.	Qty	Description
1	xxxxxxxxxx	2	SPACER (KIT SQUEEGEE BUMPER ROLLER - KIT SQUEEGEE COMPLETE - SQUEEGEE SYSTEM HARDWARE KIT)
2	xxxxxxxxxx	2	BUMPER ROLLER (KIT SQUEEGEE BUMPER ROLLER-KIT SQUEEGEE COMPLETE SQUEEGEE SYSTEM HARDWARE KIT)
3	xxxxxxxxxx	2	SQUEEGEE WHEEL (KIT SQUEEGEE WHEEL - KIT SQUEEGEE COMPLETE)
4	xxxxxxxxxx	2	NUT THUMB (KIT SQUEEGEE COMPLETE - SQUEEGEE SYSTEM HARDWARE KIT)
5	xxxxxxxxxx	2	NUT HEX LOW SELFLOCK M5 SS (KIT SQUEEGEE WHEEL - KIT SQUEEGEE COMPLETE - SQUEEGEE SYSTEM HARDWARE KIT)
6	xxxxxxxxxx	2	SCREW HEX HD M5X45 SS (KIT SQUEEGEE WHEEL -KIT SQUEEGEE COMPLETE - SQUEEGEE SYSTEM HARDWARE KIT)
7	xxxxxxxxxx	2	SCREW M6X35 (KIT SQUEEGEE BUMPER ROLLER- KIT SQUEEGEE COMPLETE - SQUEEGEE SYSTEM HARDWARE KIT)
8	909 5554 000	1	SQUEEGEE WELDMENT (KIT SQUEEGEE COMPLETE)
9	909 5555 000	4	SPRING (KIT SQUEEGEE COMPLETE)
10	909 5568 000	1	BLADE REAR (KIT SQUEEGEE COMPLETE)
11	909 5569 000	1	BLADE FRONT (KIT SQUEEGEE COMPLETE)
12	xxxxxxxxxx	2	SPACER (KIT SQUEEGEE WHEEL-KIT SQUEEGEE COMPLETE-SQUEEGEE SYSTEM HARDWARE KIT)
13	xxxxxxxxxx	2	WASHER FLAT 6X18 SS (KIT SQUEEGEE COMPLETE-SQUEEGEE SYSTEM HARDWARE KIT)
14#	L08603880	1	KIT SQUEEGEE BUMPER ROLLER (1,2,7,13)
15	909 5703 000	1	KIT SQUEEGEE WHEEL (3,5,6,12,17)
16	909 5702 000	1	KIT SQUEEGEE COMPLETE (1,2,3,4,5,6,7,8,9,10,11,12,13,17)
17	xxxxxxxxxx	6	WASHER FLAT 5X15 SS (KIT SQUEEGEE WHEEL-SQUEEGEE SYSTEM HARDWARE KIT -KIT SQUEEGEE COMPLETE)
[18]*	909 5916 000	1	KIT CURVED SQUEEGEE COMPLETE TSB IT 2005 - 005
[19]	909 5991 000	1	SQUEEGEE SYSTEM HARDWARE KIT (1,2,4,5,6,7,12,17)
[20]	909 5917 000	1	INSTALLATION INSTRUCTION FOR KIT CURVED SQUEEGEE

2005-01	BRUSH SYSTEM			
2007-09	MICROMATIC™ M17B - Before machine S/N 054920336			17

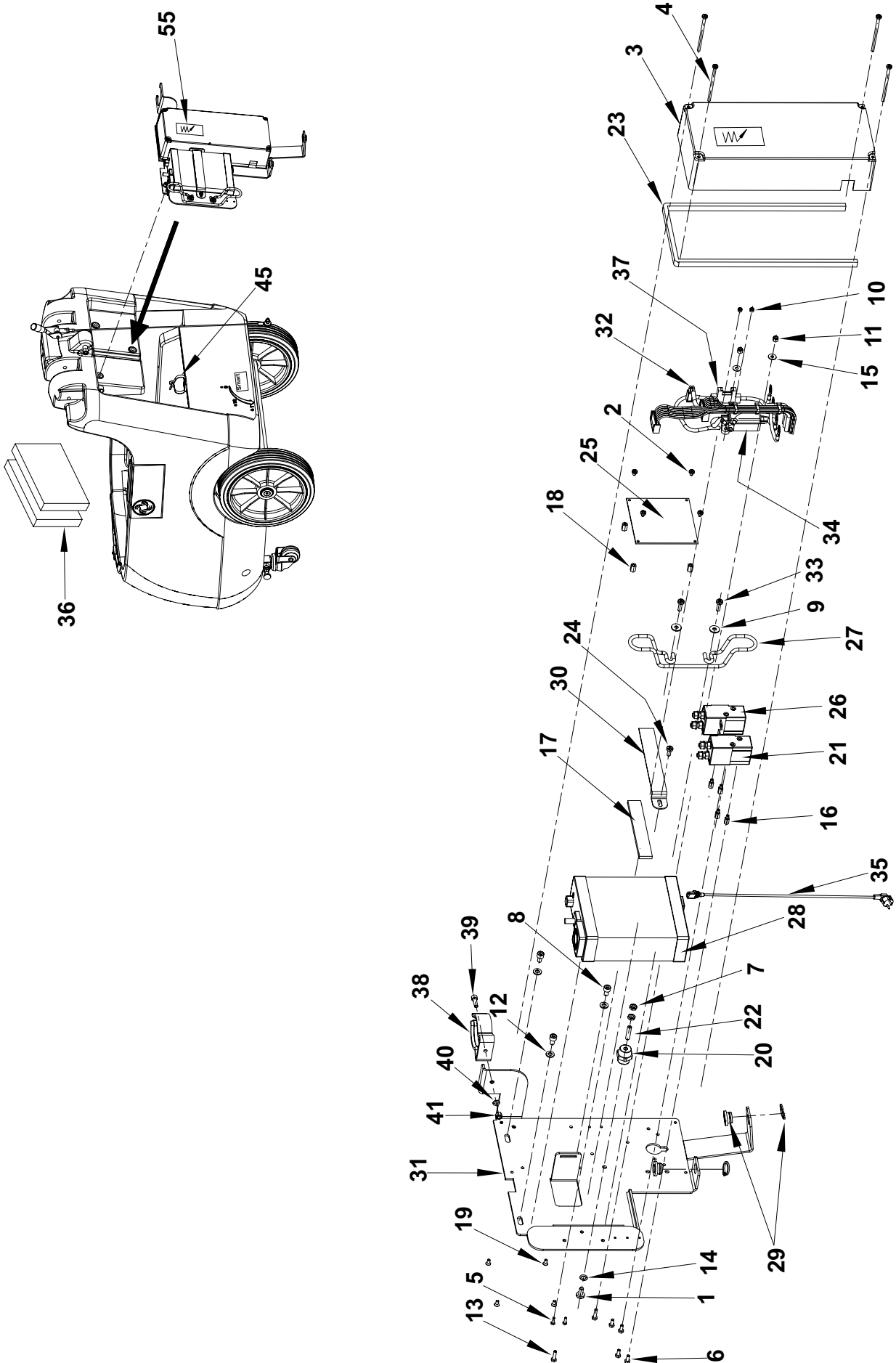
Item No.	Ref. No.	Qty	Description
1	xxxxxxxxxx	1	NUT (BRUSH SYSTEM HARDWARE KIT)
2	9097184000	1	VIBRATION DAMPING
3#	L08603849	1	REDUCTION GEAR
4	56363855	1	BUMPER ROLLER
5	909 5710 000	1	SPACER
6	909 5508 000	1	ELECTRIC MOTOR
7	xxxxxxxxxx	1	TAB (BRUSH SYSTEM HARDWARE KIT)
8#	L08812891	1	BRUSH Ø430 PROLENE PPL
8*	909 5691 000	1	BRUSH Ø430 MIDLITE GRIT180
8*	909 5692 000	1	BRUSH Ø430 MIDGRIT 240
8*	909 5693 000	1	BRUSH Ø430 PROLITE
8*	909 5694 000	1	BRUSH Ø430 UNION MIX
9	xxxxxxxxxx	1	SCREW HEX HD M8X12 (BRUSH SYSTEM HARDWARE KIT)
10	xxxxxxxxxx	2	SCREW M12X55-(BRUSH SYSTEM HARDWARE KIT)
11	909 5720 000	1	CARBON BRUSH SET (4 PCS)
12	xxxxxxxxxx	2	WASHER FLAT 6X18 (BRUSH SYSTEM HARDWARE KIT)
13	xxxxxxxxxx	1	SCREW HEX HD M6X35(BRUSH SYSTEM HARDWARE KIT)
14	xxxxxxxxxx	4	SCREW HEX HD M6X16 SS (BRUSH SYSTEM HARDWARE KIT)
15	xxxxxxxxxx	2	NUT HEX M6 SS (BRUSH SYSTEM HARDWARE KIT)
16	xxxxxxxxxx	2	SCREW M3X6 (BRUSH SYSTEM HARDWARE KIT)
17	909 5550 000	1	BRUSH PROTECTION
18	909 5556 000	1	PLATE BRUSH SUPPORT
19	909 5557 000	1	BRACKET
20	909 5558 000	2	SPRING
21	909 5559 000	2	BUSHING
22	909 5585 000	1	BRUSH DECK ADJUSTER BLOCK
23	909 5586 000	1	PLATE
24	909 5594 000	1	HOSE COPPER
25	909 5638 000	1	REDUCTIONGEAR MOTOR 520W
26	xxxxxxxxxx	1	SCREW M6X25 (BRUSH SYSTEM HARDWARE KIT)
27#	L08812589	1	POLYGONAL HOLDER WITH FLANGE KIT
28	909 5622 000	1	HOSE Ø10 640 MM
29	xxxxxxxxxx	1	DECAL BRUSH ADJUSTING (KIT DECALS MICROMATIC™ M17B)
[30]	909 5992 000	1	BRUSH SYSTEM HARDWARE KIT (1,7,9,10,12,13,14,15,16,26)
31*	909 5695 000	1	PAD HOLDER
32#	L08603966	1	RING NYLON
33#	L08837030	1	RETAINER PAD



2005-01	BRUSH SYSTEM			
2007-09	MICROMATIC™ M17B - From machine S/N 054920336			19

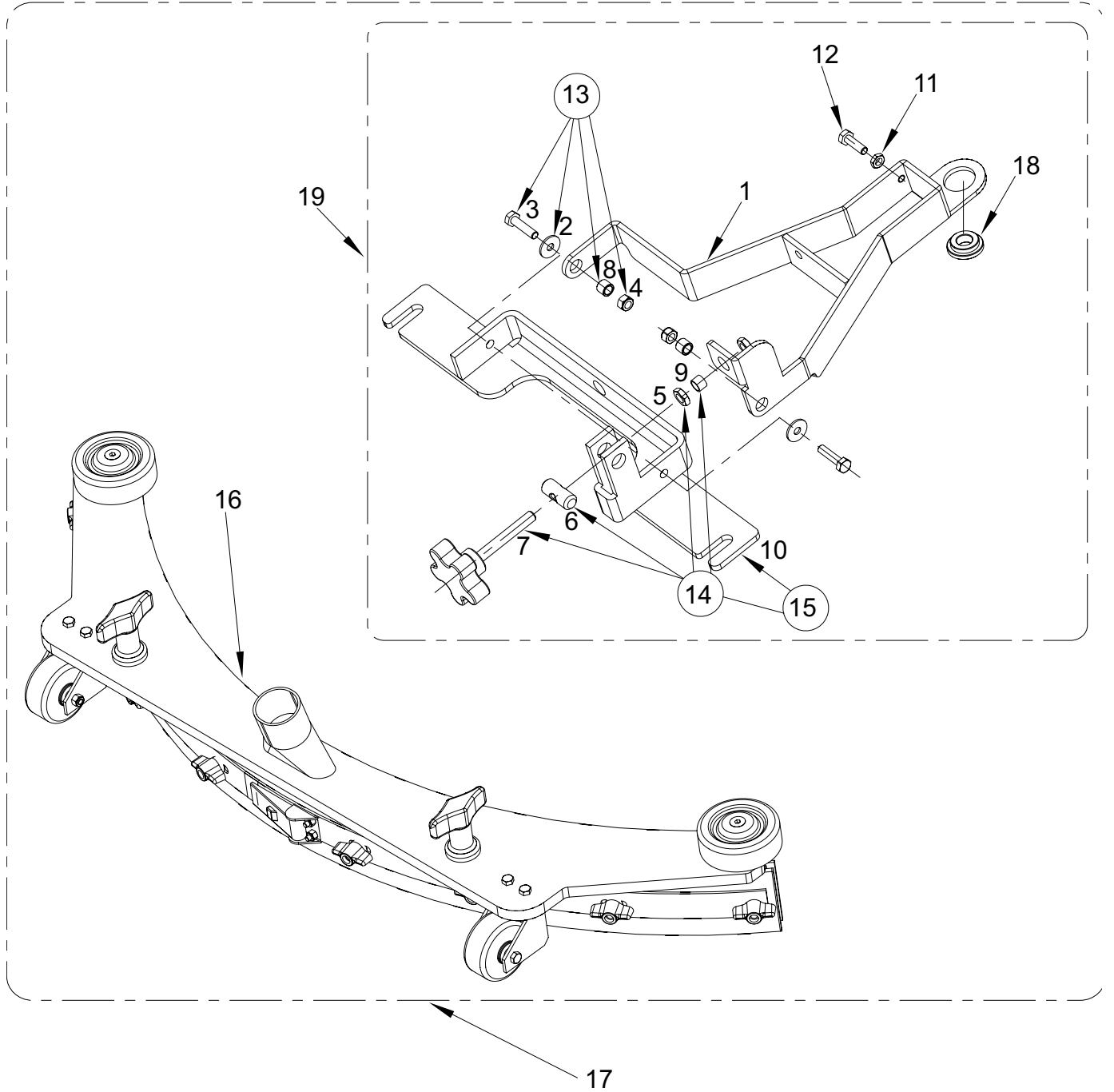
Item No.	Ref. No.	Qty	Description
1	xxxxxxxxxx	1	NUT (BRUSH SYSTEM HARDWARE KIT)
2D	9097184000	1	VIBRATION DAMPING
3#	L08603849	1	REDUCTION GEAR
4	xxxxxxxxxx	1	BUMPER ROLLER (BUMPER ROLLER KIT)
5	xxxxxxxxxx	1	SPACER (BUMPER ROLLER KIT)
6A	909 5508 000	1	ELECTRIC MOTOR
6B	9097114000	1	ELECTRIC MOTOR
7	xxxxxxxxxx	1	TAB (BRUSH SYSTEM HARDWARE KIT)
8#	L08812891	1	BRUSH Ø430 PROLENE PPL
8*	909 5691 000	1	BRUSH Ø430 MIDLITE GRIT180
8*	909 5692 000	1	BRUSH Ø430 MIDGRIT 240
8*	909 5693 000	1	BRUSH Ø430 PROLITE
8*	909 5694 000	1	BRUSH Ø430 UNION MIX
9D	xxxxxxxxxx	1	SCREW HEX HD M8X12 SS(BRUSH SYSTEM HARDWARE KIT)
10	xxxxxxxxxx	2	SCREW M12X55-(BRUSH SYSTEM HARDWARE KIT)
11A	909 5720 000	1	CARBON BRUSH W/COVER KIT (4 PCS)
11B	146 3143 000	1	CARBON BRUSH W/COVER KIT
11C	909 6893 000	1	CARBON BRUSH KIT
12	xxxxxxxxxx	1	WASHER FLAT 6X18 (BRUSH SYSTEM HARDWARE KIT - BUMPER ROLLER KIT)
13	xxxxxxxxxx	1	SCREW HEX HD M6X35 (BRUSH SYSTEM HARDWARE KIT - BUMPER ROLLER KIT)
14	xxxxxxxxxx	4	SCREW HEX HD M6X16 SS (BRUSH SYSTEM HARDWARE KIT)
15	xxxxxxxxxx	2	NUT HEX M6 SS (BRUSH SYSTEM HARDWARE KIT)
16	xxxxxxxxxx	2	SCREW M3X6 (BRUSH SYSTEM HARDWARE KIT)
17	909 5550 000	1	BRUSH PROTECTION
18	909 6269 000	1	PLATE BRUSH SUPPORT
19	909 6270 000	1	BRACKET
20	909 5558 000	2	SPRING
21	909 5559 000	2	BUSHING
22	909 5585 000	1	BRUSH DECK ADJUSTER BLOCK
23	909 5586 000	1	PLATE
24	909 6217 000	1	HOSE COPPER
25B	9097113000	1	REDUCTIONGEAR MOTOR 520W 24V
26	xxxxxxxxxx	1	SCREW M6X30 UNI5931 (BRUSH SYSTEM HARDWARE KIT)
27#	L08812589	1	POLYGONAL HOLDER WITH FLANGE KIT
28	909 5622 000	1	HOSE Ø10 640 MM
29	xxxxxxxxxx	1	DECAL BRUSH ADJUSTING (KIT DECALS MICROMATIC™ M17B)
[30]	909 5992 000	1	BRUSH SYSTEM HARDWARE KIT (1,7,9,10,12,13,14,15,16,26, 34,35)
31*	909 5695 000	1	PAD HOLDER
32*#	L08603966	1	RING NYLON
33#	L08837030	1	RETAINER PAD
34	xxxxxxxxxx	2	SCREW HEX HD M4X8 (BRUSH SYSTEM HARDWARE KIT)
35	xxxxxxxxxx	2	WASHER FLAT 4X12 (BRUSH SYSTEM HARDWARE KIT)
36	xxxxxxxxxx	1	NUT HEX M6 SELFLOCK. LOW (BUMPER ROLLER KIT)
37	909 5397 000	1	BUMPER ROLLER KIT (4,5,12,13,36)

A-B-C: TSB IT 2007-011
D: TSB IT 2007-018



Item No.	Ref. No.	Qty	Description
1#	L08603706	1	SCREW CYL HD M6X12 (WIRING SYSTEM HARDWARE KIT)
2	81541200	6	SCREW CYL HD M4X6 (WIRING SYSTEM HARDWARE KIT)
3	909 6568 000	1	COVER ELECTRONIC CARD
4#	L08812444	4	SCREW CYL HD M4X70 (WIRING SYSTEM HARDWARE KIT)
5#	L08812964	2	SCREW HEX HD M3X10 (WIRING SYSTEM HARDWARE KIT)
6	146 0632 000	4	SCREW HEX HD M4X8 (WIRING SYSTEM HARDWARE KIT)
7	33005531	2	NUT HEX LOW M6(WIRING SYSTEM HARDWARE KIT)
8	33004342	3	SCREW CYL HD M6X10 (WIRING SYSTEM HARDWARE KIT)
9	145 8280 000	2	WASHER FLAT 5X15 SS (WIRING SYSTEM HARDWARE KIT)
10	33005601	2	NUT HEX SELFLOCK M3 (WIRING SYSTEM HARDWARE KIT)
11	33005602	2	NUT HEX SELFLOCK M4 (WIRING SYSTEM HARDWARE KIT)
12	33005913	3	WASHER FLAT (WIRING SYSTEM HARDWARE KIT)
13	33003950	2	SCREW HEX HD M4X16 (WIRING SYSTEM HARDWARE KIT)
14	33005851	2	WASHER SPLIT (WIRING SYSTEM HARDWARE KIT)
15	33005911	4	WASHER FLAT 4X9 (WIRING SYSTEM HARDWARE KIT)
16	146 0627 000	4	SPACER M4 (WIRING SYSTEM HARDWARE KIT)
17	146 0656 000	1	GASKET L=125 MM
18	146 0657 000	4	SPACER HEX (WIRING SYSTEM HARDWARE KIT)
19	146 0658 000	4	SCREW M4X8 (WIRING SYSTEM HARDWARE KIT)
20	146 0708 000	1	INSULATOR M6 WHITE
21	909 5127 000	1	VACUUM ELECTROMAGNETIC SWITCH 24V
22	146 0759 000	1	DOWEL M6X25 (WIRING SYSTEM HARDWARE KIT)
23	146 2118 000	1	GASKET L=750 MM
24	909 5009 000	1	SCREW CYL HD M5X12 SS (WIRING SYSTEM HARDWARE KIT)
25	909 5098 000	1	ELECTRONIC CARD
26	146 0719 000	1	BRUSH ELECTROMAGNETIC SWITCH 24V
27	909 5149 000	1	SUPPORT BATTERY CHARGER CABLE
28A	909 5561 000	1	BATTERY CHARGER 24V 8A 115-230V
28B	9097046000	1	BATTERY CHARGER 24V 8/9A 100-240V
29	909 6062 000	2	KIT BUSH CABLE GIUDE AND RETAINING RING
30A	909 5570 000	1	BRACKET FOR BATTERY CHARGER
30B	909 6234 000	1	BRACKET FOR BATTERY CHARGER
31	909 5788 000	1	PLATE
32A	909 5845 000	1	HARNESS ELECTRONIC CARD
32B	909 6427 000	1	HARNESS ELECTRONIC CARD
33	146 2090 000	2	SCREW CYL HD M5X16 (WIRING SYSTEM HARDWARE KIT)
34	145 8046 000	1	STRIP FUSE HOLDER
35	9096914000	1	CABLE EXTENSION
36#	L08812670	2	RESTRAINT
37	146 0660 000	1	BLADE FUSE HOLDER
38#	L08812967	1	CABLE CLAMP Ø50 (WIRING SYSTEM HARDWARE KIT)
39	33004328	1	SCREW M5X16 (WIRING SYSTEM HARDWARE KIT)
40	33005912	1	WASHER FLAT 5X10 (WIRING SYSTEM HARDWARE KIT)
41	33005603	1	NUT SELF LOCKING M5 (WIRING SYSTEM HARDWARE KIT)
[42]	909 5844 000	1	MACHINE HARNESS MICROMATIC TM M17B
[43]#	L08812093	4	BOOT BATTERY CLAMPS
[44]	145 8513 000	1	VACUUM BLADE FUSE 30A
45#	L08812967	1	CLAMP (WIRING SYSTEM HARDWARE KIT)
[46]	909 5955 000	1	BATTERY HARNESS
[47]	146 0722 000	1	DECAL FUSE 40A (KIT DECALS MICROMATIC™ M17B)
[48]	145 1356 000	1	DECAL FUSE 30A (KIT DECALS MICROMATIC™ M17B)
[50]	145 9852 000	1	FUSE BLADE 5A
[51]	145 3824 000	1	BRUSH STRIP FUSE 40A
[52]A	909 5982 000	1	POWER CABLE
[53]A	909 5983 000	1	OUTLET CABLE
[54]A	909 5984 000	1	COOLING FAN
55	145 1265 000	1	DECAL TENSION ((KIT DECALS MICROMATIC™ M17B)
[56]	909 5994 000	1	WIRING SYSTEM HARDWARE KIT (1,2,4,5,6,7,8,9,10,11,12,13,14,15,16,18,19,22,24,33,38,39,40,41,45)
[57]B	9097047000	1	BATTERY CHARGER 24V 8/9A 100-240V KIT
[58]B	9097048000	1	INSTALLATION INSTRUCTIONS FOR BATTERY CHARGER 24V 8/9A 100-240V KIT
[59]B	909 6446 000	1	BATTERY CHARGER COOLING FAN
[60]B	909 6447 000	1	COVER FOR BATTERY CHARGER
[61]B	909 6448 000	1	BATTERY CHARGER HARNESS
[62]B	145 1248 000	1	BATTERY CHARGER CAP

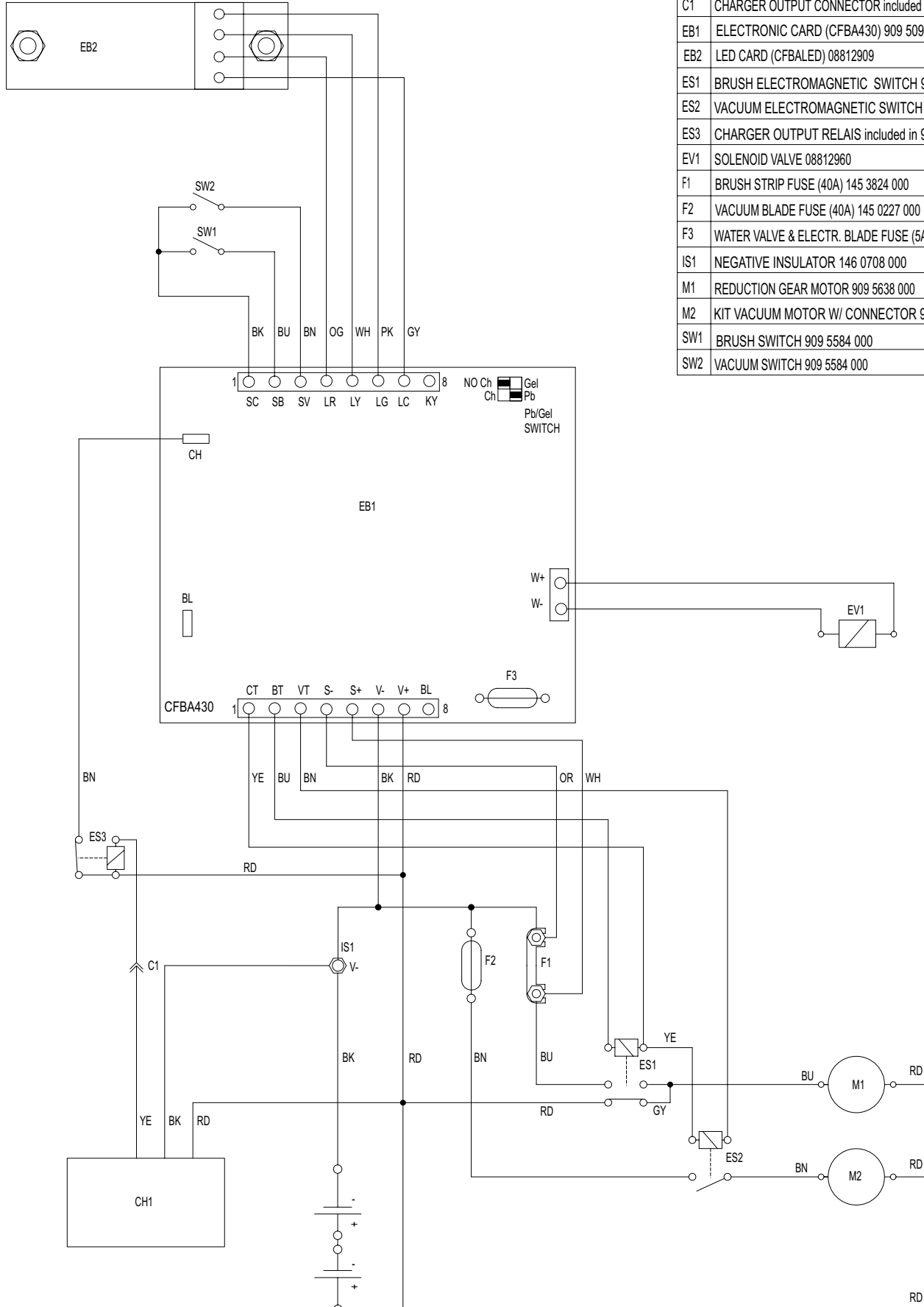
A-B: SEE TSB IT 2007-016



2005-01	ACCESSORIES			
2007-09	MICROMATIC™ M17B			23

Item No.	Ref. No.	Qty	Description
1	909 5914 000	1	BRACKET
2	xxxxxxxxxx	2	WASHER FLAT (FIXTURE NOZZLE HOLDER LEFT/RIGHT KIT)
3	xxxxxxxxxx	2	SCREW HEX HD M6X25 (FIXTURE NOZZLE HOLDER LEFT/RIGHT KIT)
4	xxxxxxxxxx	2	NUT HEX LOW SELFLOCK M6 (FIXTURE NOZZLE HOLDER LEFT/RIGHT KIT)
5	xxxxxxxxxx	2	NUT HEX LOW M8 (ADJUSTMENT SCREW KIT)
6	xxxxxxxxxx	1	PIN (ADJUSTMENT SCREW KIT)
7	xxxxxxxxxx	1	KNOB (ADJUSTMENT SCREW KIT)
8	xxxxxxxxxx	2	SPACER (FIXTURE NOZZLE HOLDER LEFT/RIGHT KIT)
9	xxxxxxxxxx	1	SPACER (ADJUSTMENT SCREW KIT)
10	xxxxxxxxxx	1	SQUEEGEE LOWER HOLDER (KIT SQUEEGEE HOLDER)
11	33005531	1	NUT HEX LOW M6
12	33003975	1	SCREW HEX M6X20
13	56325682	1	FIXTURE LEFT/RIGHT KIT (2,3,4,8)
14	56325684	1	ADJUSTMENT SCREW KIT (5,6,7,9)(KIT SQUEEGEE HOLDER)
15#	L08603876	1	KIT SQUEEGEE HOLDER (14,10)
16*#	L08603878	1	KIT SQUEEGEE CURVED
17*	909 5916 000	1	KIT CURVED SQUEEGEE COMPLETE
18	909 5915 000	1	SPACER
19	909 6047 000	1	KIT SQUEEGEE SUPPORT (1,11,12,13,15,22)
[20]	56393285	1	SQUEEGEE BLADE FRONT
[21]	56325685	1	SQUEEGEE BLADE REAR
[20]*#	L08837041	1	KIT OIL RESISTANT CURVED SQUEEGEE BLADES
[21]	909 5917 000	1	INSTALLATION INSTRUCTIONS FOR CURVED SQUEEGEE COMPLETE

WIRING DIAGRAM
909 5604 000

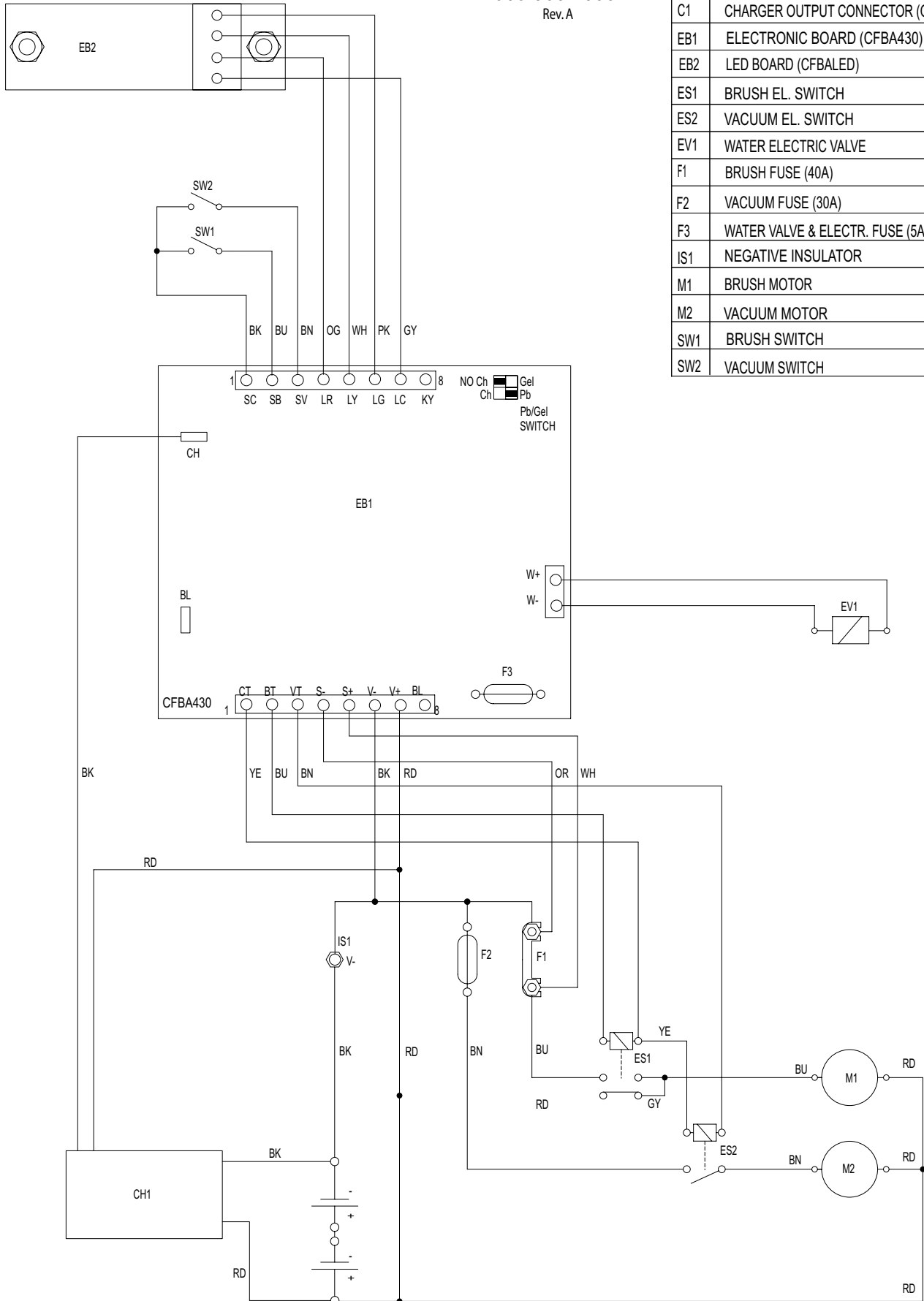


LEGENDA

CH1	BATTERY CHARGER 909 5561 000
C1	CHARGER OUTPUT CONNECTOR included in 909 5561 000
EB1	ELECTRONIC CARD (CFBA430) 909 5098 000
EB2	LED CARD (CFBALED) 08812909
ES1	BRUSH ELECTROMAGNETIC SWITCH 909 5127 000
ES2	VACUUM ELECTROMAGNETIC SWITCH 146 0719 000
ES3	CHARGER OUTPUT RELAIS included in 909 5845 000
EV1	SOLENOID VALVE 08812960
F1	BRUSH STRIP FUSE (40A) 145 3824 000
F2	VACUUM BLADE FUSE (40A) 145 0227 000
F3	WATER VALVE & ELECTR. BLADE FUSE (5A) 145 9852 000
IS1	NEGATIVE INSULATOR 146 0708 000
M1	REDUCTION GEAR MOTOR 909 5638 000
M2	KIT VACUUM MOTOR W/ CONNECTOR 909 5713 000
SW1	BRUSH SWITCH 909 5584 000
SW2	VACUUM SWITCH 909 5584 000

WIRING DIAGRAM
909 5604 000
Rev. A

LEGENDA	
CH1	BATTERY CHARGER (OPT)
C1	CHARGER OUTPUT CONNECTOR (OPT)
EB1	ELECTRONIC BOARD (CFBA430)
EB2	LED BOARD (CFBALED)
ES1	BRUSH EL. SWITCH
ES2	VACUUM EL. SWITCH
EV1	WATER ELECTRIC VALVE
F1	BRUSH FUSE (40A)
F2	VACUUM FUSE (30A)
F3	WATER VALVE & ELECTR. FUSE (5A)
IS1	NEGATIVE INSULATOR
M1	BRUSH MOTOR
M2	VACUUM MOTOR
SW1	BRUSH SWITCH
SW2	VACUUM SWITCH



RECOMMENDED SPARE PARTS

2005-01

26

MICROMATIC™ M17B

2007-09

**Codice
Ref. No.** **Q.tà
Qty** **Description**

WEAR PARTS

	9097166000	1	KIT WATER FILTER COMPLETE
#	L08603893	1	KIT FILTER NET WITH GASKET
	909 5716 000	1	GASKET L=1250 MM
	909 5568 000	1	BLADE REAR
	909 5569 000	1	BLADE FRONT
	909 5555 000	4	SPRING
#	L08812891	1	BRUSH Ø430 PROLENE PPL STD

ORDINARY MAINTENANCE

#	L08812869	1	DRAIN HOSE
	909 5578 000	1	SUCTION HOSE (BEFORE TSB 2006-001)
	909 6060 000	1	SUCTION HOSE (AFTER TSB 2006-001)
	909 5579 000	1	VACUUM MOTOR HOSE
	145 8513 000	1	BLADE FUSE 40A
	145 3824 000	1	STRIP FUSE 40A
	145 9852 000	1	BLADE FUSE 5A

EXTRAORDINARY MAINTENANCE

#	L08812960	1	SOLENOID VALVE 24V
	909 5696 000	1	VALVE
	909 5713 000	1	KIT VACUUM MOTOR W/CONNECTOR
	909 5371 000	2	CARBON BRUSH
	909 5700 000	1	KIT SQUEEGEE LIFT CABLE
	909 5564 000	1	PIPE ACOUSTIC INSULATION
	909 5565 000	1	PIPE ACOUSTIC INSULATION
	9097113000	1	REDUCTIONGEAR MOTOR 520W
	146 3143 000	1	CARBON BRUSH W/COVER KIT (4 PCS)
	909 6893 000	1	CARBON BRUSH KIT (4 PCS)
	9097184000	1	VIBRATION DAMPING
	909 5558 000	2	SPRING
	909 5397 000	1	BUMPER ROLLER KIT
	9096915000	2	WHEEL
	909 5099 000	1	HANDLE ADJUSTER KIT
	909 5701 000	1	HANDLE ADJUSTING KIT
	909 5554 000	1	SQUEEGEE WELDMENT
	909 5702 000	1	KIT SQUEEGEE COMPLETE
	909 5703 000	2	KIT SQUEEGEE WHEEL
#	L08603880	2	KIT SQUEEGEE BUMPER ROLLER
	909 6062 000	1	KIT BUSH CABLE GUIDE AND RETAINING RING
	909 5584 000	1	SWITCH
	909 6568 000	1	ELECTRONIC CARD
	9097047000	1	KIT BATTERY CHARGER 100-240V
	9097046000	1	BATTERY CHARGER 100-240V
	146 0719 000	1	ELECTROMAGNETIC SWITCH 24V
	909 5127 000	1	ELECTROMAGNETIC SWITCH 24V

2005-01	RECOMMENDED SPARE PARTS		
2007-09	MICROMATIC™ M17B		27

Codice Ref. No.	Q.tà Qty	Description
--------------------	-------------	-------------

OPTIONALS

	9096916000#	1	FILTER
	909 5916 000	1	KIT CURVED SQUEEGEE COMPLETE TSB IT 2005 - 005
	909 5691 000	1	BRUSH Ø430 MIDLITE GRIT180
	909 5692 000	1	BRUSH Ø430 MIDGRIT 240
	909 5693 000	1	BRUSH Ø430 PROLITE
	909 5694 000	1	BRUSH Ø430 UNION MIX
	909 5695 000	1	PAD HOLDER
#	L08603878	1	KIT SQUEEGEE CURVED
	909 6047 000	1	KIT SQUEEGEE SUPPORT
	909 6047 000	1	KIT SQUEEGEE SUPPORT
#	L08837041	1	KIT OIL RESISTANT CURVED SQUEEGEE BLADES



Nilfisk-Advance, Inc.

14600 21st Avenue North

Plymouth, MN, 55447-3408

www.nilfisk-advance.com

Phone: 800-989-2235

Fax: 800-989-6566

©2007 Nilfisk-Advance, Inc.,

Plymouth, MN 55447-3408

Printed in Italy