



## Electronic Service Manuals

This electronic document is provided as a service to our customers. We do not create the contents of the information contained in this document. Should you have detailed questions pertaining to the information contained in this document, you may contact Michco, or the manufacturer which provided the original information in this electronic deliverable. Michco's only part in this electronic deliverable was the electronic assembly process. By providing this manual on line we are not guaranteeing parts availability.

You may contact Michco through the following methods:

Phone (517) 484-9312 or (800) 331-3339

2011 N. High St. -- Lansing, Michigan -- 48906

Fax: (517) 484-9836

Email: [CustServe@Michco.com](mailto:CustServe@Michco.com)

Web site: [www.Michco.Com](http://www.Michco.Com)

Parts Web site: [www.FloorMachineParts.Com](http://www.FloorMachineParts.Com)

Order Parts on Line at:

**[www.FloorMachineParts.Com](http://www.FloorMachineParts.Com)**

Directly to Parts & Service:

By Email: **[Shop@Michco.com](mailto:Shop@Michco.com)**

By Fax: (517) 702-2041

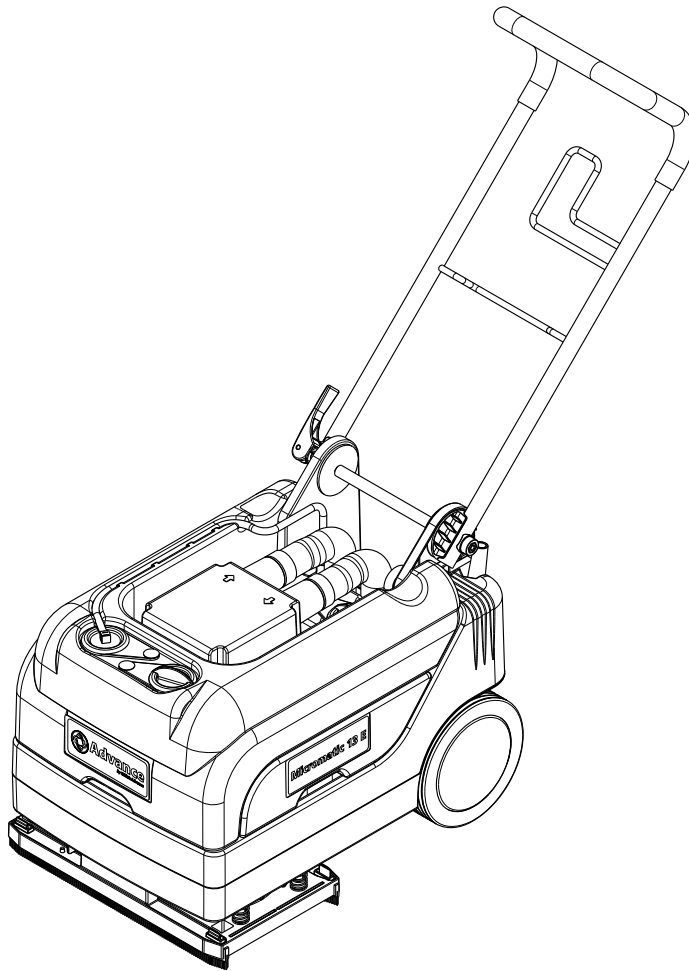
By Voice: Use numbers above.

**Serving the Cleaning Industry Since 1922**

Notice: All copyrighted material remains property of original owners, all trademarks are property of respective owners. Manuals are subject to Manufacturer's reproduction limitations. Originals or reproductions were provided by manufacturers through a request. We make no warranty as to the correctness of information provided in this document and you assume all risk. By placing these manuals on line we are not declaring our corporation to be an manufacturer authorized dealer or provider, please check our web site for authorized manufacturers we represent.

# Micromatic™ 13 E

---



## PARTS LIST

Advance model: 9087233020

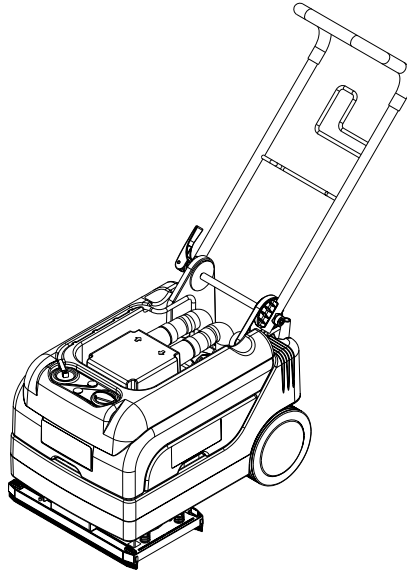


# Advance

by Nilfisk-Advance

9097509000(1)2008-03






---

**DESCRIPTION**


---

**PLAN**

|                         |         |
|-------------------------|---------|
| TANKS SYSTEM            | 2 - 3   |
| FRAME UPPER SYSTEM      | 4 - 5   |
| FRAME LOWER SYSTEM      | 6 - 7   |
| TRANSMISSION SYSTEM     | 8 - 9   |
| BRUSHES-SQUEEGEES DECK  | 10 - 11 |
| PANEL SYSTEM            | 12 - 13 |
| ACCESSORIES             | 14 - 15 |
| WIRING DIAGRAM          | 16      |
| RECOMMENDED SPARE PARTS | 17      |
| ACCESSORIES             | 17      |

**WHEN ORDERING PARTS**

- \* Use the 8, 9 or 10 digit numbers from the "Ref. No." columns in this parts list.
- \* Specify the model and serial number of the machine.
- \* Use the space below to record the model and serial number for future reference.

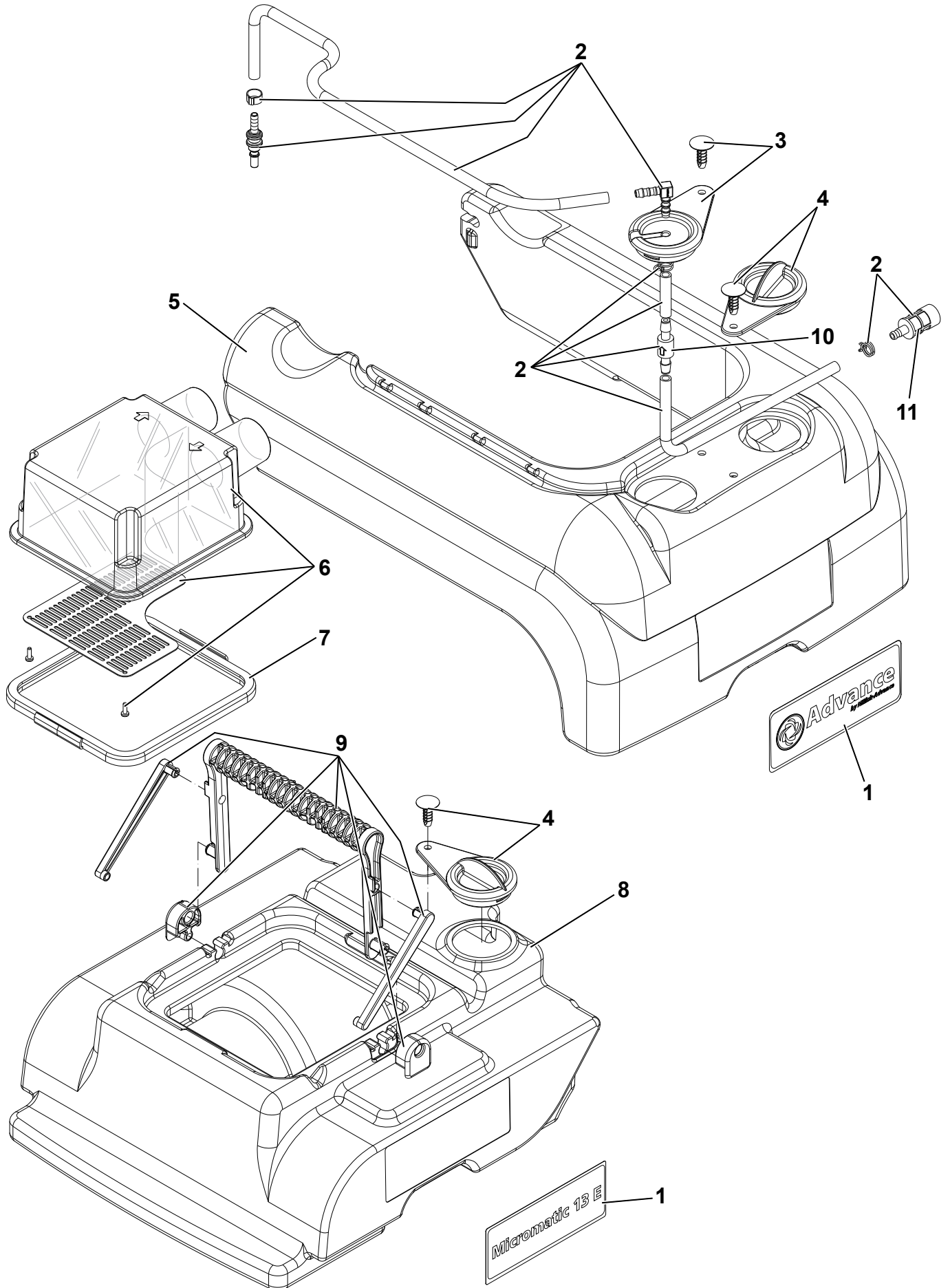
Model \_\_\_\_\_ Serial No. \_\_\_\_\_

**\* = Optional**

**# = Modified item No. or New item No.**

**[] = Not shown**

**xxxxxx= Contained in a Kit**



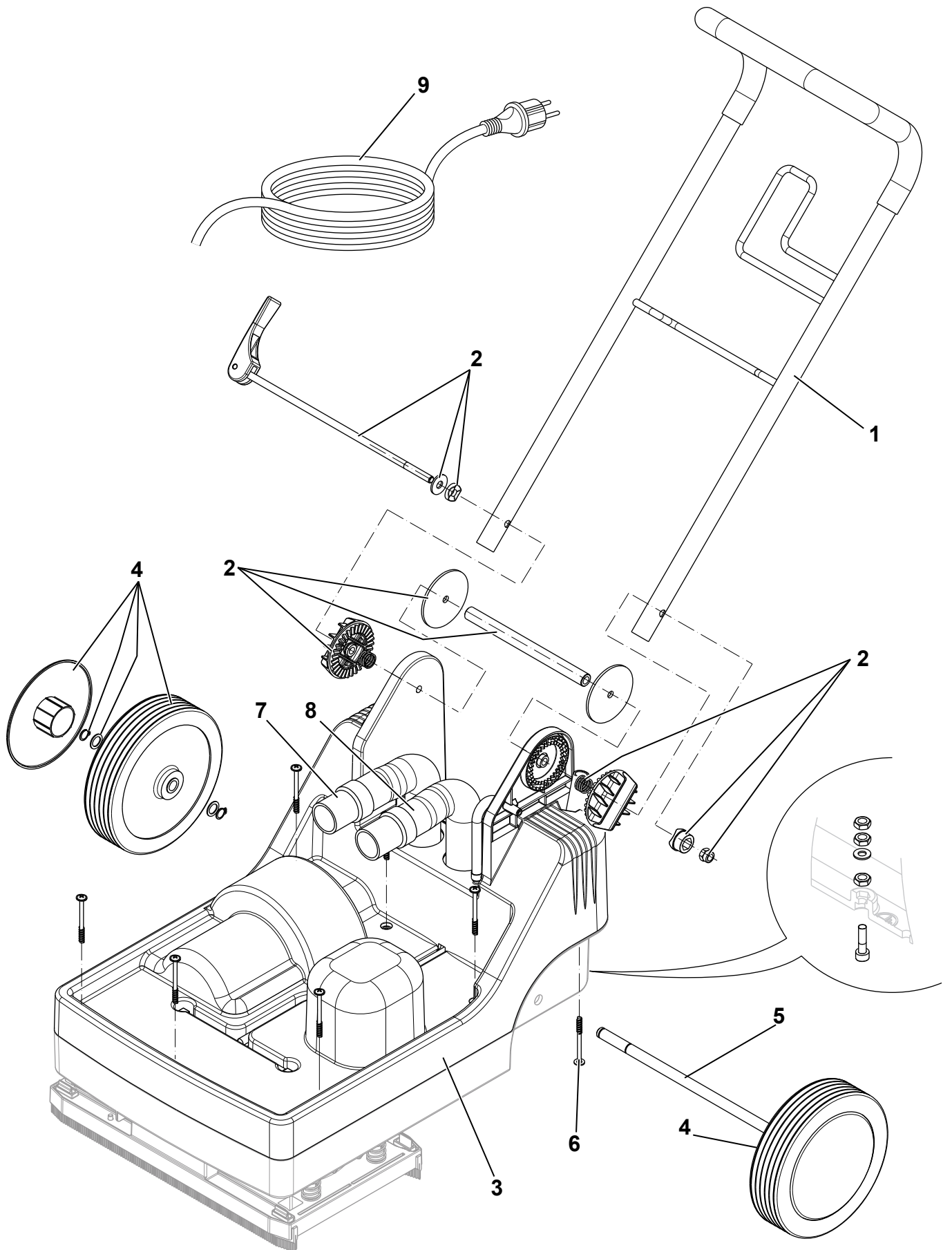
2008-02

TANKS SYSTEM

Micromatic™ 13 E

3

| Item | Ref. No.   | Qty | Description                |
|------|------------|-----|----------------------------|
| 1    | 9097703000 | 1   | DECALS KIT MICROMATIC 13 E |
| 2    | 9097438000 | 1   | VACUUM SOLTION KIT         |
| 3    | 9097516000 | 1   | CAP TANK WITH HOLE KIT     |
| 4    | 9097515000 | 2   | CAP TANK KIT               |
| 5    | 9097217000 | 1   | TANK SOLUTION              |
| 6    | 9097441000 | 1   | COVER TANK KIT             |
| 7    | 9097236000 | 1   | GASKET TANK COVER          |
| 8    | 9097218000 | 1   | TANK RECOVERY              |
| 9    | 9097591000 | 1   | KIT HANDLE                 |
| 10   | 9097277000 | 1   | VALVE ONE-WAY              |
| 11   | L08603126  | 1   | FILTER SOLUTION            |



2008-02

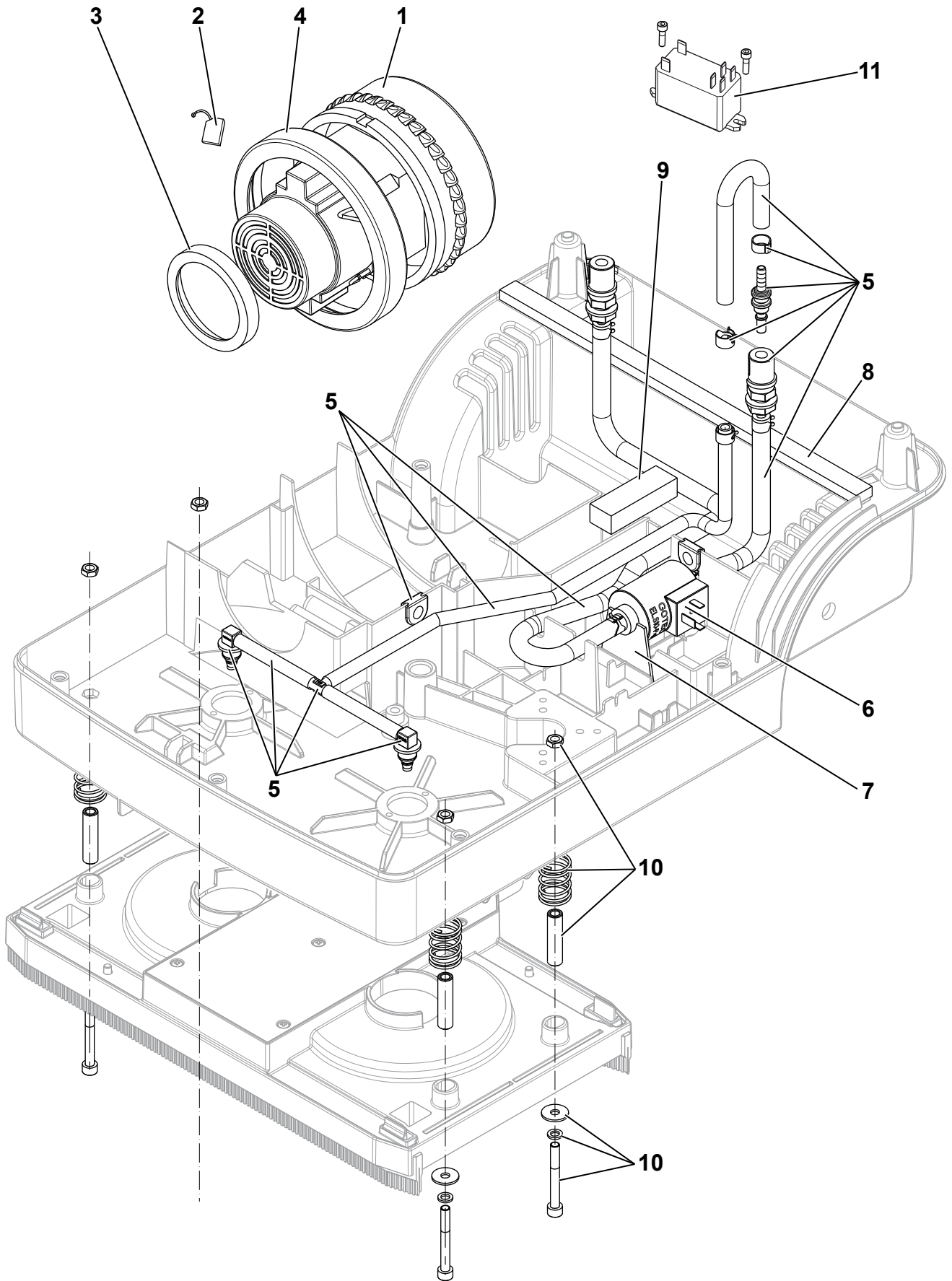
**FRAME UPPER SYSTEM**

**Micromatic™ 13 E**

**5**

| Item | Ref. No.     | Qty | Description                |
|------|--------------|-----|----------------------------|
| 1    | 9097224000   | 1   | HANDLE BAR                 |
| 2    | 9097437000   | 1   | FIXING HANDLE BAR KIT      |
| 3    | 9097216000   | 1   | FRAME UPPER                |
| 4    | 9097440000   | 1   | WHEELS KIT                 |
| 5    | 9097231000   | 1   | SHAFT WHEELS               |
| 6    | 909 5893 000 | 8   | SCREW                      |
| 7    | 9097252000   | 1   | HOSE VACUUM BLACK          |
| 8    | 9097253000   | 1   | HOSE SQUEEGEE VACUUM BLACK |
| 9    | 9097505000   | 1   | CABLE POWER SUPPLY UL      |

6 Micromatic™ 13 E



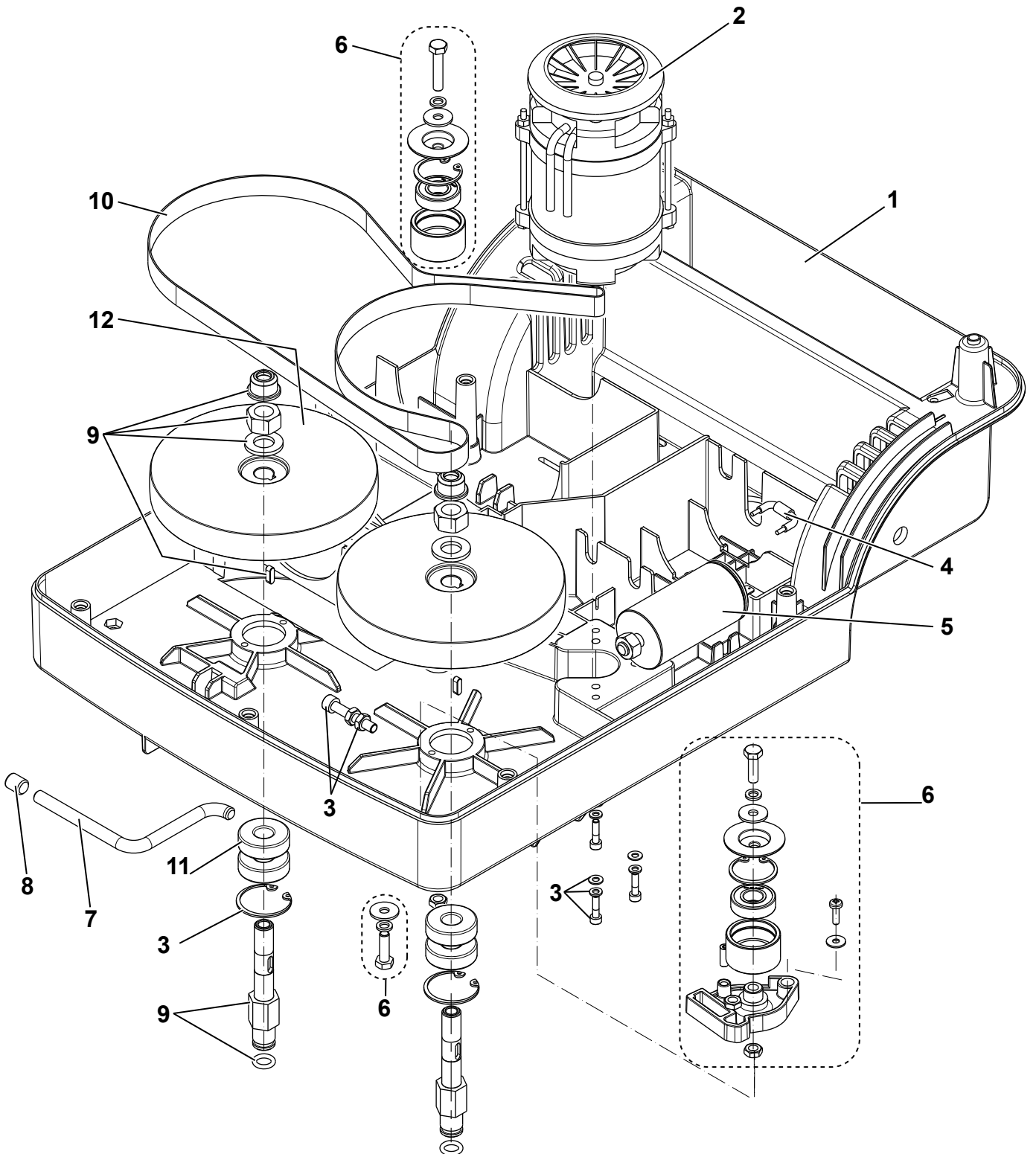
2008-02

## FRAME LOWER SYSTEM

Micromatic™ 13 E

7

| Item | Ref. No.     | Qty | Description                          |
|------|--------------|-----|--------------------------------------|
| 1    | 9097504000   | 1   | MOTOR VACUUM 110/120V 450W           |
| 2    | 909 5719 000 | 2   | CARBON BRUSH                         |
| 3    | 9097251000   | 1   | GASKET VACUUM MOTOR                  |
| 4    | 9097250000   | 1   | GASKET VACUUM MOTOR                  |
| 5    | 9097493000   | 1   | PIPE SOLUTION KIT                    |
| 6    | 9097262000   | 1   | PUMP WATER 110V 30W                  |
| 7    | 9097275000   | 1   | SUPPORT PUMP NYLON                   |
| 8    | 146 0410 000 | 1   | GASKET ADHESIVE 15X10X340 L=0,340 MT |
| 9    | 9097583000   | 1   | GASKET ADHESIVE 20X15X70 L=0,07 MT   |
| 10   | 9097431000   | 1   | HARDWARE DECK FIXING KIT             |
| 11   | 909 6779 000 | 1   | RELAY 120V 20A                       |



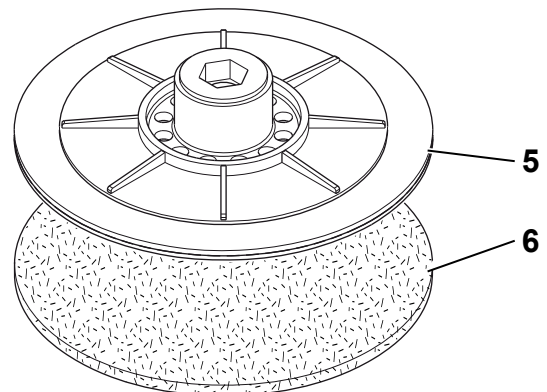
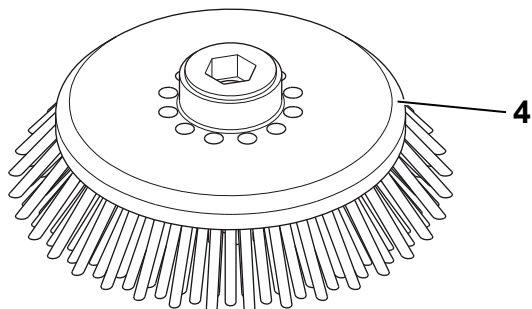
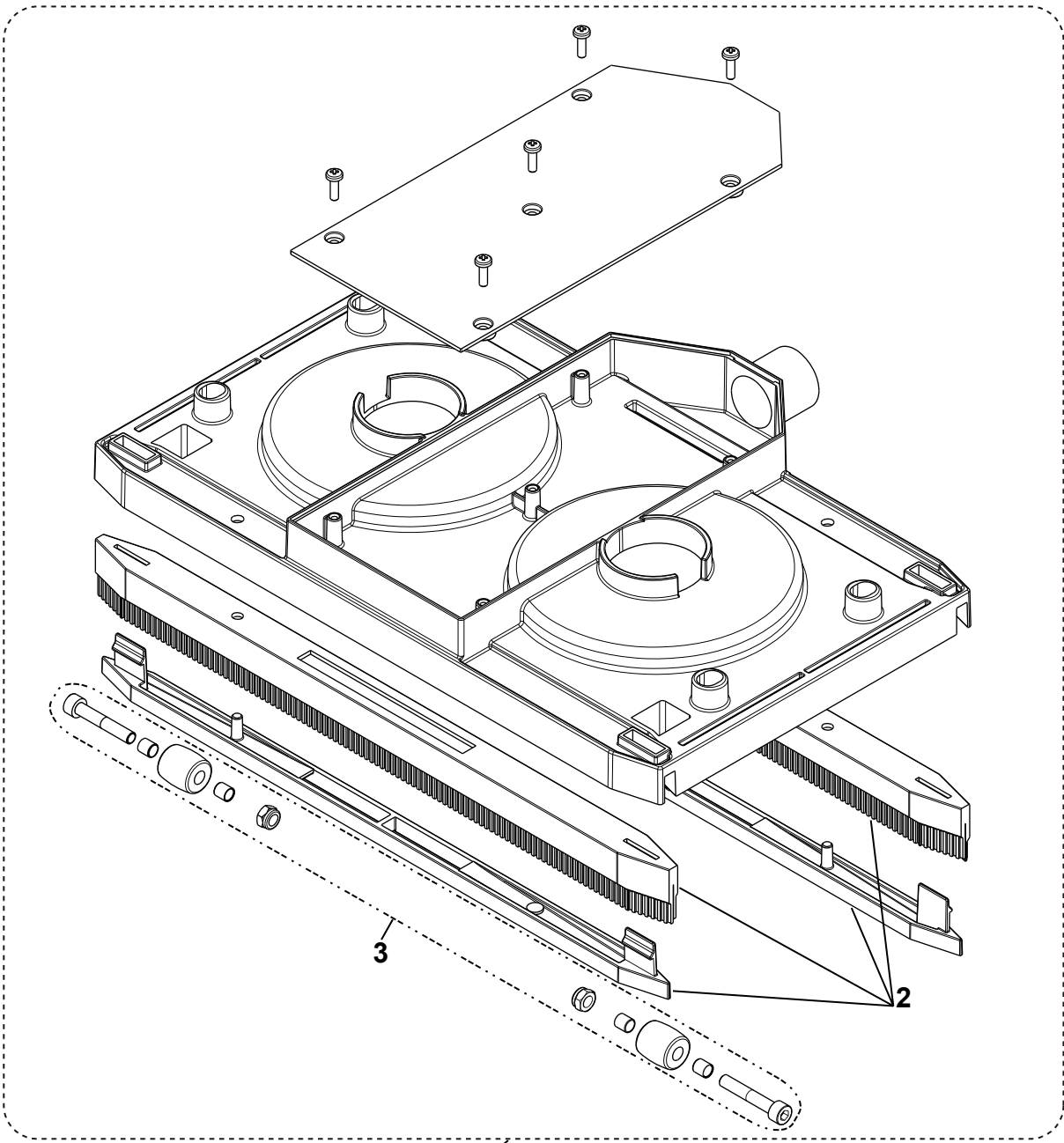
2008-02

## TRANSMISSION SYSTEM

Micromatic™ 13 E

9

| Item | Ref. No.     | Qty | Description                     |
|------|--------------|-----|---------------------------------|
| 1    | 9097215000   | 1   | FRAME LOWER                     |
| 2    | 9097503000   | 1   | MOTOR ELECTRIC 100W 115V        |
| 3    | 9097467000   | 1   | HARDWARE TRASMISSION SYSTEM KIT |
| 4    | 33009099     | 1   | DIODE 1N4007                    |
| 5    | 9097506000   | 1   | CAPACITOR 20uF                  |
| 6    | 9097436000   | 1   | TENSIONER BELT KIT              |
| 7    | 9097223000   | 1   | LEVER SUPPORT                   |
| 8    | L08603935    | 1   | CAP BLACK                       |
| 9    | 9097435000   | 1   | PIN BRUSH KIT                   |
| 10   | 9097245000   | 1   | BELT FLAT 1060 MAXIFLEX         |
| 11   | 909 5763 000 | 4   | BALL BEARING                    |
| 12   | 9097240000   | 2   | PULLEY BRUSH                    |



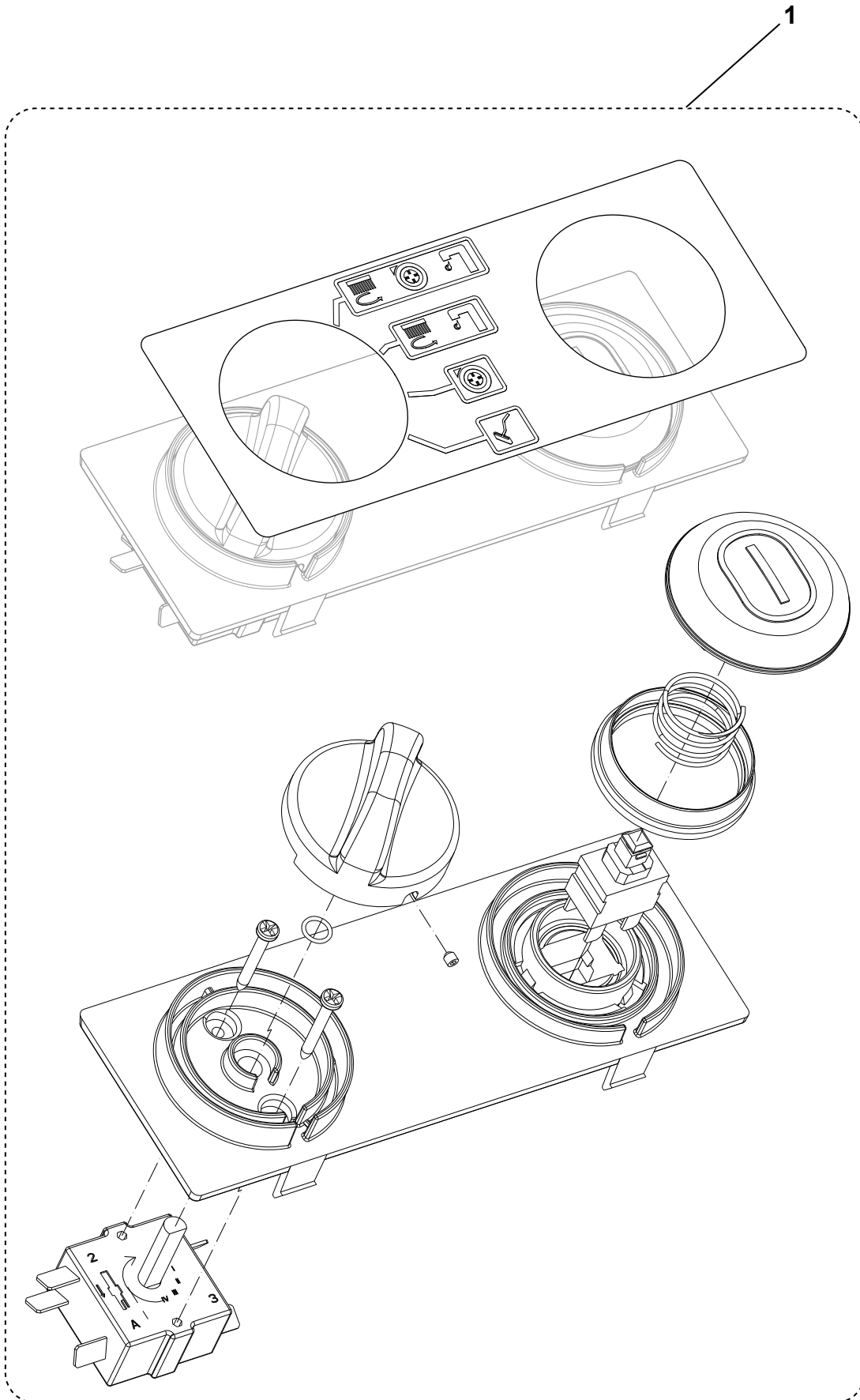
2008-02

**BRUSHES - SQUEEGEES DECK**

**Micromatic™ 13 E**

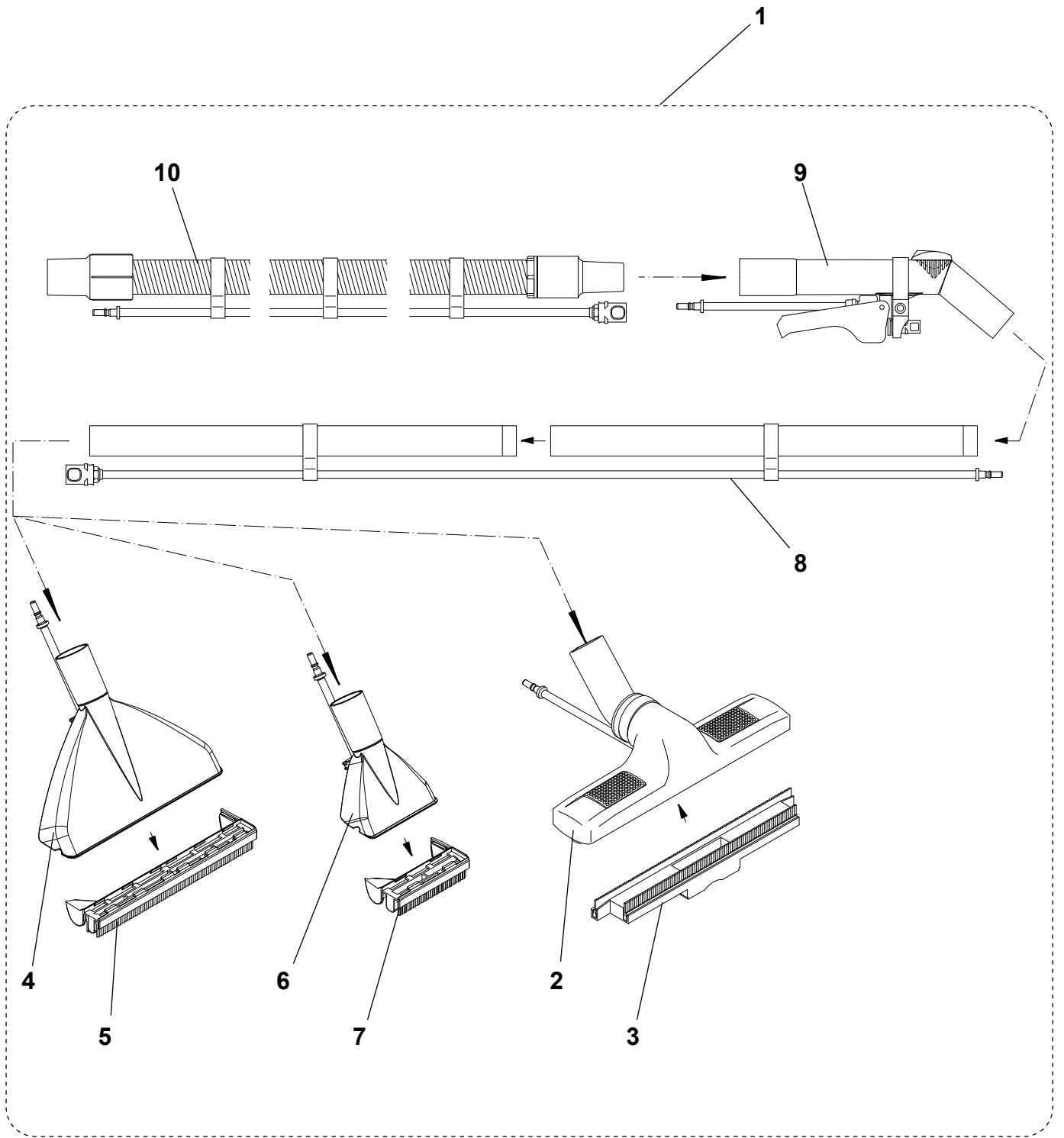
**11**

| Item | Ref. No.          | Qty      | Description             |
|------|-------------------|----------|-------------------------|
| 1    | 9097432000        | 1        | DECK BRUSH KIT          |
| 2    | 9097542000        | 1        | BLADES PU KIT 385MM/15" |
| 3    | 9097434000        | 1        | ROLLER DECK KIT         |
| 4    | 9097242000        | 2        | PROLITE BRUSH           |
| 4*   | <b>9097543000</b> | <b>2</b> | <b>PROLENE BRUSH</b>    |
| 5*   | <b>9097243000</b> | <b>2</b> | <b>PAD-HOLDER</b>       |
| 6*   | 72500221          | 1        | WHITE PAD (5 PCS)       |
| 6*   | 72500222          | 1        | RED PAD (5 PCS)         |
| 6*   | 72500223          | 1        | BROWN PAD (5 PCS)       |



|         |                  |  |  |    |
|---------|------------------|--|--|----|
| 2008-02 | PANEL SYSTEM     |  |  |    |
|         | Micromatic™ 13 E |  |  | 13 |

| Item | Ref. No.   | Qty | Description                 |
|------|------------|-----|-----------------------------|
| 1    | 9097439000 | 1   | PANEL CONTROL W / DECAL KIT |
| 0    | 9097507000 | 1   | HARNESS MACHINE UL          |



2008-02

**CARPET KIT**

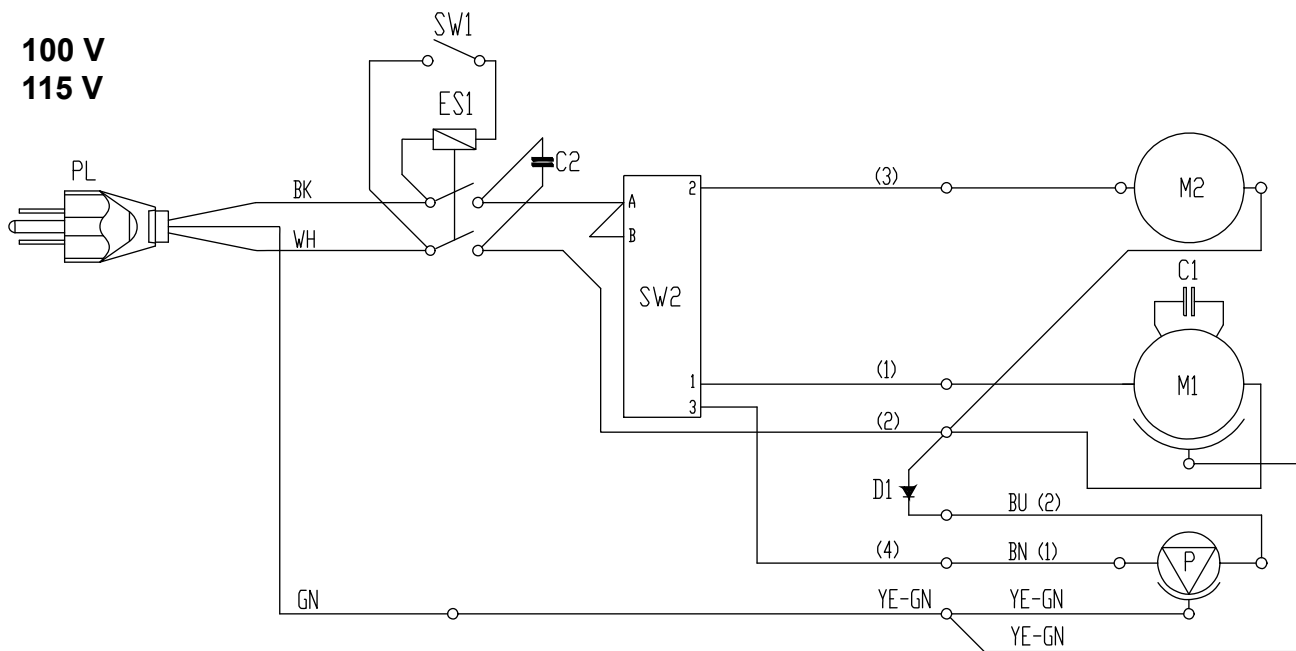
**Micromatic™ 13 E**

**15**

| Item | Ref. No.   | Qty | Description        |
|------|------------|-----|--------------------|
| 1    | 9097575000 | 1   | WASHING CARPET KIT |
| 2    | 9097566000 | 1   | NOZZLE D13         |
| 3    | 9097567000 | 1   | FRAME BRUSH D13    |
| 4    | 9097568000 | 1   | NOZZLE 230         |
| 5    | 9097569000 | 1   | FRAME BRUSH 230    |
| 6    | 9097570000 | 1   | NOZZLE 100         |
| 7    | 9097571000 | 1   | NOZZLE 100         |
| 8    | 9097572000 | 2   | EXTENSION HOSE     |
| 9    | 9097573000 | 1   | HANDLE D2          |
| 10   | 9097574000 | 1   | HOSE MT.3          |

| COMPONENTS / COMPONENTI |                       |                              |
|-------------------------|-----------------------|------------------------------|
| C1                      | BRUSH MOTOR CAPACITOR | CONDENSATORE MOTORE SPAZZOLE |
| C2                      | FILTER CAPACITOR      | CONDENSATORE DI FILTRAGGIO   |
| D1                      | PUMP DIODE            | DIODO PER POMPA              |
| ES1                     | RELAIS                | RELE'                        |
| M1                      | BRUSH MOTOR           | MOTORE SPAZZOLA              |
| M2                      | VACUUM MOTOR          | MOTORE ASPIRATORE            |
| P                       | WATER PUMP            | POMPA ACQUA                  |
| PL1                     | MAINS PLUG            | SPINA DI RETE                |
| SW1                     | MAIN SWITCH           | INTERRUTTORE PRINCIPALE      |
| SW2                     | ROTARY SWITCH         | INTERRUTTORE ROTATIVO        |

| COLOR CODES |        |         |    |        |        |
|-------------|--------|---------|----|--------|--------|
| BK          | BLACK  | nero    | PK | PINK   | rosa   |
| BU          | BLUE   | azzurro | RD | RED    | rosso  |
| BN          | BROWN  | marrone | VT | VIOLET | viola  |
| GN          | GREEN  | verde   | WH | WHITE  | bianco |
| GY          | GREY   | grigio  | YE | YELLOW | giallo |
| DG          | ORANGE | arancio |    |        |        |



| Ref. No.                         | Qty | Description                 |
|----------------------------------|-----|-----------------------------|
| <b>WEAR PARTS</b>                |     |                             |
| 9097242000                       | 2   | BRUSH ø165 PROLITE          |
| 9097542000                       | 1   | BLADES PU KIT 385MM/15"     |
| 9097251000                       | 1   | GASKET VACUUM MOTOR         |
| 9097591000                       | 1   | HANDLE KIT                  |
| <b>ORDINARY MAINTENANCE</b>      |     |                             |
| 909 5719 000                     | 2   | CARBON BRUSH                |
| 9097245000                       | 1   | BELT FLAT 1060 MAXIFLEX     |
| L08603126                        | 1   | FILTER SOLUTION             |
| 9097252000                       | 1   | HOSE VACUUM BLACK           |
| 9097253000                       | 1   | HOSE SQUEEGEE VACUUM BLACK  |
| 9097434000                       | 1   | ROLLER DECK KIT             |
| <b>EXTRAORDINARY MAINTENANCE</b> |     |                             |
| 9097439000                       | 1   | PANEL CONTROL W / DECAL KIT |
| 9097503000                       | 1   | MOTOR ELECTRIC 100W 115V    |
| 9097506000                       | 1   | CAPACITOR 20uF              |
| 9097262000                       | 1   | PUMP WATER 110V 30W         |
| 9097277000                       | 1   | VALVE ONE-WAY               |
| 9097250000                       | 1   | GASKET VACUUM MOTOR         |
| 9097440000                       | 1   | WHEELS KIT                  |
| <b>ACCESSORIES</b>               |     |                             |
| 9097575000                       | 1   | WASHING CARPET KIT          |
| 9097543000                       | 2   | PROLENE BRUSH               |
| 9097243000                       | 2   | PAD HOLDER                  |
| 72500221                         | 1   | WHITE PAD (5 PCS)           |
| 72500222                         | 1   | RED PAD (5 PCS)             |
| 72500223                         | 1   | BROWN PAD (5 PCS)           |



**Nilfisk-Advance, Inc.**

14600 21st Avenue North  
Plymouth, MN, 55447-3408  
[www.nilfisk-advance.com](http://www.nilfisk-advance.com)

Phone: 800-989-2235

Fax: 800-989-6566

©2008 Nilfisk-Advance, Inc.,  
Plymouth, MN 55447-3408

Printed in Italy