



Electronic Service Manuals

This electronic document is provided as a service to our customers. We do not create the contents of the information contained in this document. Should you have detailed questions pertaining to the information contained in this document, you may contact Michco, or the manufacturer which provided the original information in this electronic deliverable. Michco's only part in this electronic deliverable was the electronic assembly process.

You may contact Michco through the following methods:
Phone (517) 484-9312 or (800) 331-3339 MI, OH, IN only
2011 N. High St. -- Lansing, Michigan -- 48906
Fax: (517) 484-9836
Email: CustServ@Michco.com
Web site: www.Michco.Com
Parts Web site: www.FloorMachineParts.Com

Order Parts on Line at:
www.FloorMachineParts.Com

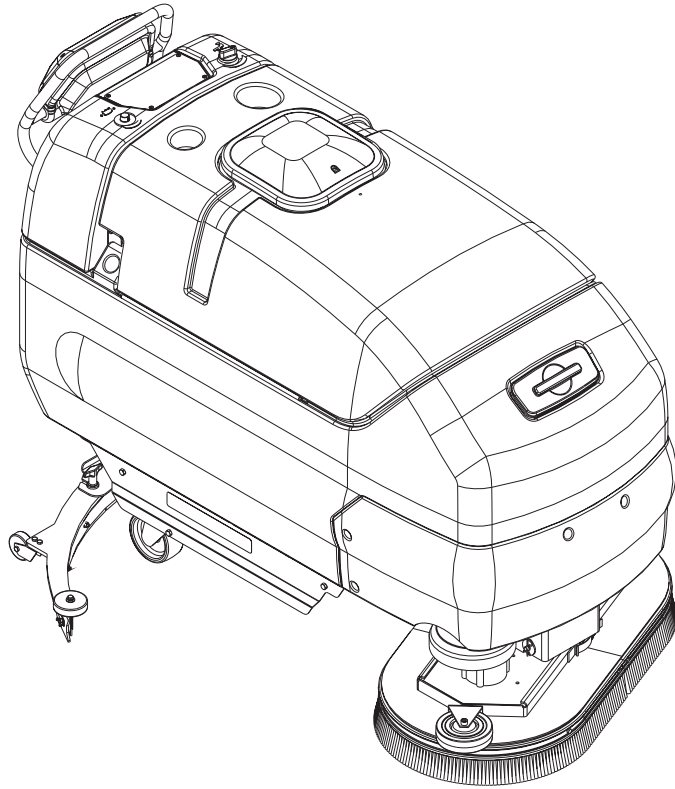
Directly to Parts & Service:
By Email: **Shop@Michco.com**
By Fax: (517) 702-2041
By Voice: Use numbers above.

Serving the Cleaning Industry Since 1922

Notice: All copyrighted material remains property of original owners, all trademarks are property of respective owners. Manuals are subject to Manufacturer's reproduction limitations. Originals or reproductions were provided by manufacturers through a request. We make no warranty as to the correctness of information provided in this document and you assume all risk.

ConvertaMAX™ 34

I-MAX™ 34HD



PARTS LIST

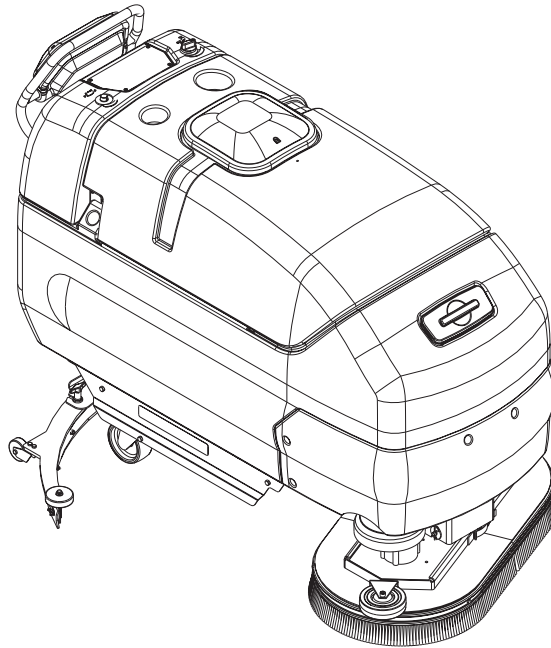
Advance MODELS 56396019, 56396020

ConvertaMAX 34 after SN1593243 / I-MAX 34HD after SN1593245



Advance
by Nilfisk-Advance

3/02 revised 10/03 FORM NO. 56042430

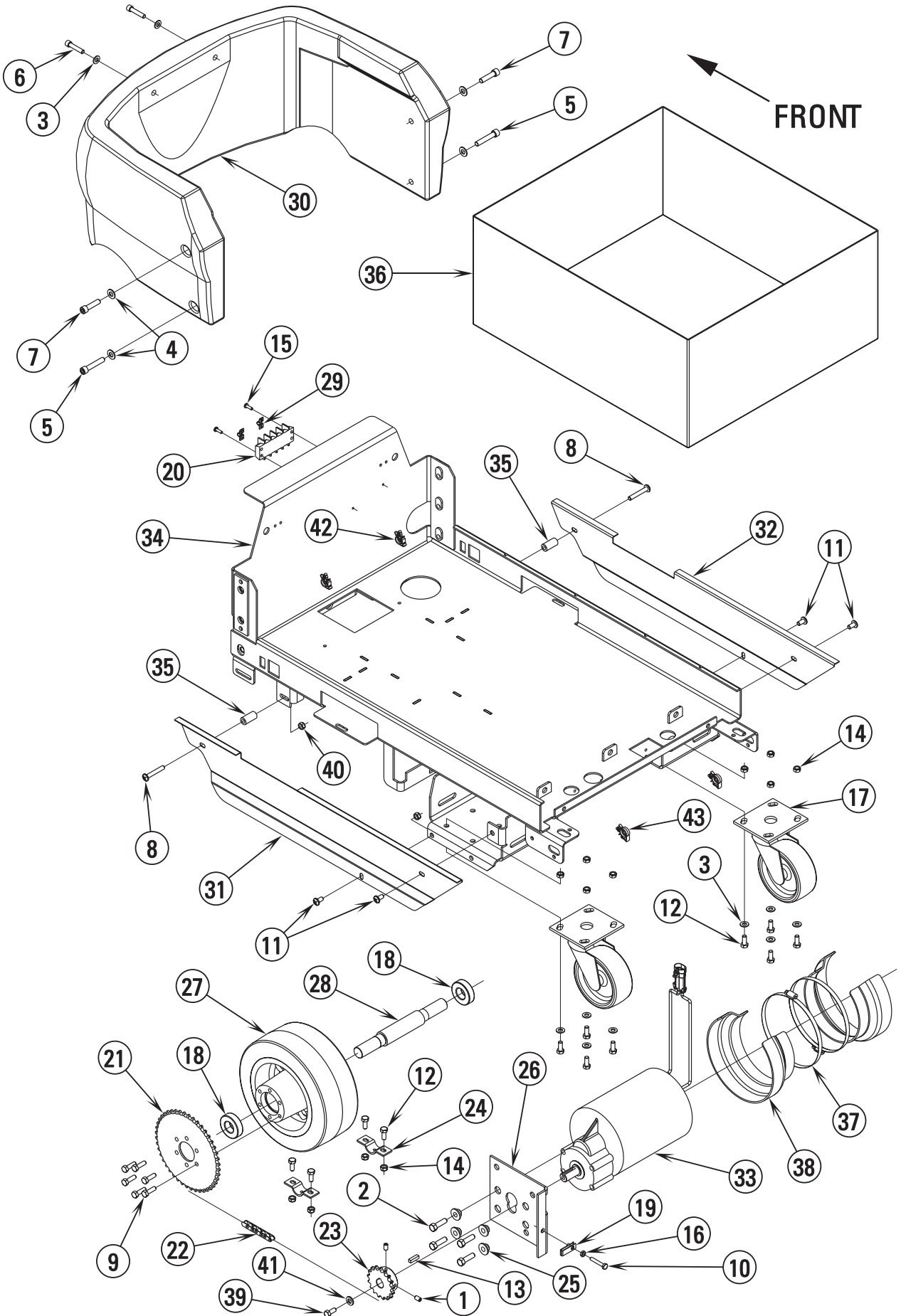


DESCRIPTION	PAGE
CONVERTAMAX™ 34 CHASSIS SYTEM	2-3
I-MAX™ 34HD CHASSIS SYTEM	4-5
CONTROL HANDLE SYSTEM	6-7
HANDLE PADDLE ASSEMBLY	8-9
SCRUB SYSTEM	10-11
SKIRT ASSEMBLIES	12-13
SOLUTION SYSTEM	14-15
RECOVERY SYSTEM	16-17
SQUEEGEE SYSTEM	18-19
SQUEEGEE ASSEMBLY	20-21
DECAL SYSTEM	22-23
WIRING DIAGRAM	24-25
PARKING BRAKE KIT	26-27
HIGH TOWER ROLLER BUMPER KIT	28-29

WHEN ORDERING PARTS

- * Use the 8 digit numbers from the "Ref. No." columns in this parts list.
- * Specify the model and serial number of the machine.
- * Use the space below to record the model and serial number for future reference.

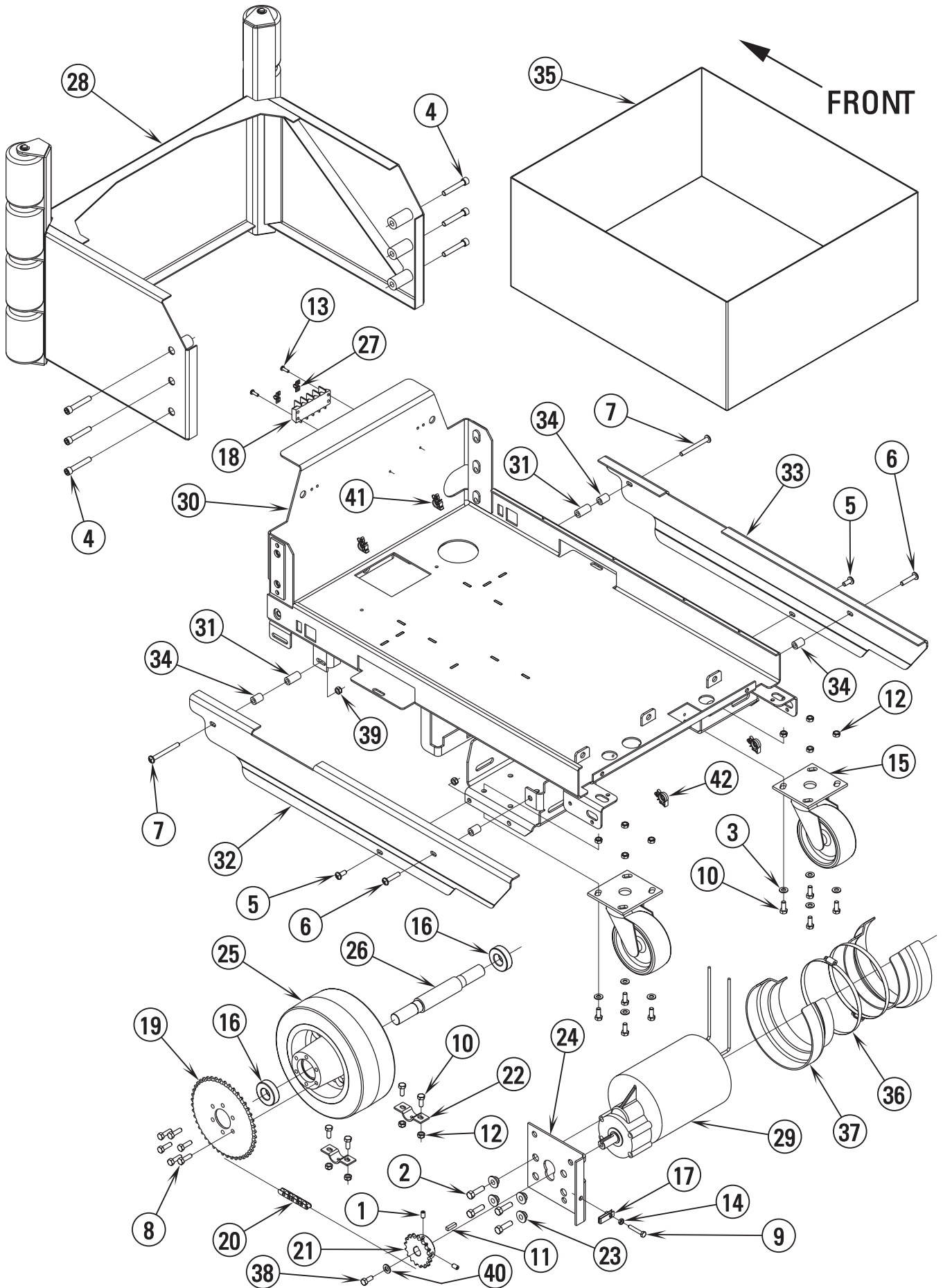
Model _____ Serial No. _____



02-3	ConvertaMAX™ CHASSIS SYSTEM		
02-11	ConvertaMAX™ 34 / I-MAX™ 34HD		3

Item	Ref. No.	Qty	Description
1	56001826	2	Scr, Soc Set Loc 5/16-18 x .50
2	56001858	4	Scr, Hex Hd 3/8-16 x 1.25
3	56001939	10	Wsh, Fit SAE 5/16
4	56002063	4	Wsh, Fit SAE 3/8
5	56002133	2	Scr, Soc Hd 3/8-16 x 2.00
6	56002201	2	Scr, Soc Hd 5/16-18 x 1.50
7	56002316	2	Scr, Soc Hd 3/8-16 x 1.50
8	56003613	2	Scr, Pan Phil 5/16-18 x 2.00
9	56003073	6	Scr, Hex Hd Loc 5/16-18 x 1.00
10	56003125	1	Scr, Hex Thd to Hd SS 1/4-20 x 1.50
11	56003003	4	Scr, Pan Phil 5/16-18 x .62
12	56003179	12	Scr Hex Thd to Hd M8-1.25 x 20MM
13	56003244	1	Key, Sq .25 x 0.94
14	56003389	12	Nut, Hex Nyl Loc M8-1.25
15	56009042	2	Scr, Pan Phil Thd Form 10-24 x .62
16	56009087	1	Nut, Hex Jam 1/4-20
17	56440450	2	Caster, Swivel
**	56440451	2	Caster, Swivel Neoprene
**	56391315	2	Caster, Spring Load
18	56479430	2	Bearing, Ball
19	56009289	1	Nut, U Multi-Thread 1/4-20
20	56026111	1	Term. Block, 4 Term. 50 Amp
21	56396022	1	Sprocket
22	56396033	1	Chain, Roller
23	56396034	1	Sprocket, H40B17
24	56396039	2	Clamp, Axle
25	56396048	4	Bushing
26	56396267	1	Bracket, Tension-Traction Drive
27	56396350	1	Wheel 10.00 x 4.00
28	56396351	1	Axle
29	56397184	2	Plate, Jumper
30	56397221	1	Cover, Front
31	56397281	1	Skirt, LH
32	56397282	1	Skirt, RH
33	56397316	1	Motor / Gear Unit Assembly 36V
34	56397501	1	Upper Chassis Weldment
35	56397522	2	Spacer, Phenolic
36	56397548	1	Box, Batteries
37	56355488	2	Clamp, Hose SAE #96
38	56397112	2	Shroud, Motor
39	56002667	1	Scr, Hex Hd 5/16-18 x .75
40	56002701	4	Nut, Hex Nyl Loc 5/16-18
41	56009214	1	Wsh, Fit .406 x .750 x .090
42	56386407	2	Clip, Conduit
43	56900756	2	Clip, Conduit
**	56396322	1	High Tower Roller Bumper Kit
**	56396323	1	Parking Brake Kit

** = Not Included (optional)



02-3	I-MAX™ 34HD CHASSIS SYSTEM			
02-11	ConvertaMAX™ 34 / I-MAX™ 34HD			5

Item	Ref. No.	Qty	Description
1	56001826	2	Scr, Soc Set Loc 5/16-18 x .50
2	56001858	4	Scr, Hex Hd 3/8-16 x 1.25
3	56001939	8	Wsh, Flt SAE 5/16
4	56002134	6	Scr, Soc Hd 3/8-16 x 2.25
5	56002793	2	Scr, Pan Phil 5/16-18 x .75
6	56002968	2	Scr, Pan Phil 5/16-18 x 1.50
7	56003011	2	Scr, Pan Phil 5/16-18 x 3.00
8	56003073	6	Scr, Hex Hd Loc 5/16-18 x 1.00
9	56003125	1	Scr, Hex Thd to Hd SS 1/4-20 x 1.50
10	56003179	12	Scr Hex Thd to Hd M8-1.25 x 20MM
11	56003244	1	Key, Sq .25 x 0.94
12	56003389	12	Nut, Hex Nyl Loc M8-1.25
13	56009042	2	Scr, Pan Phil Thd Form 10-24 x .62
14	56009087	1	Nut, Hex Jam 1/4-20
15	56440450	2	Caster, Swivel
**	56440451	2	Caster, Swivel Neoprene
**	56391315	2	Caster, Spring Load
16	56479430	2	Bearing, Ball
17	56009289	1	Nut, U Multi-Thread 1/4-20
18	56026111	1	Term. Block, 4 Term. 50 Amp
19	56396022	1	Sprocket
20	56396033	1	Chain, Roller
21	56396034	1	Sprocket, H40B17
22	56396039	2	Clamp, Axle
23	56396048	4	Bushing
24	56396267	1	Bracket, Tension-Traction Drive
25	56396350	1	Wheel 10.00 x 4.00
26	56396351	1	Axle
27	56397184	2	Plate, Jumper
28	56397239	1	Assembly, Bumper Industrial
29	56397316	1	Motor / Gear Unit Assembly 36V
30	56397501	1	Upper Chassis Weldment
31	56397522	2	Spacer, Phenolic
32	56397545	1	Panel, Left
33	56397546	1	Panel, Right
34	56397547	4	Spacer, Alum
35	56397548	1	Box, Batteries
36	56355488	2	Clamp, Hose SAE #96
37	56397112	2	Shroud, Motor
38	56002667	1	Scr, Hex Hd 5/16-18 x .75
39	56002701	4	Nut, Hex Nyl Loc 5/16-18
40	56009214	1	Wsh, Flt .406 x .750 x .090
41	56386407	2	Clip, Conduit
42	56900756	2	Clip, Conduit
**	56397368	1	Industrial Side Panel Kit
**	56396323	1	Parking Brake Kit

** = Not Included (optional)

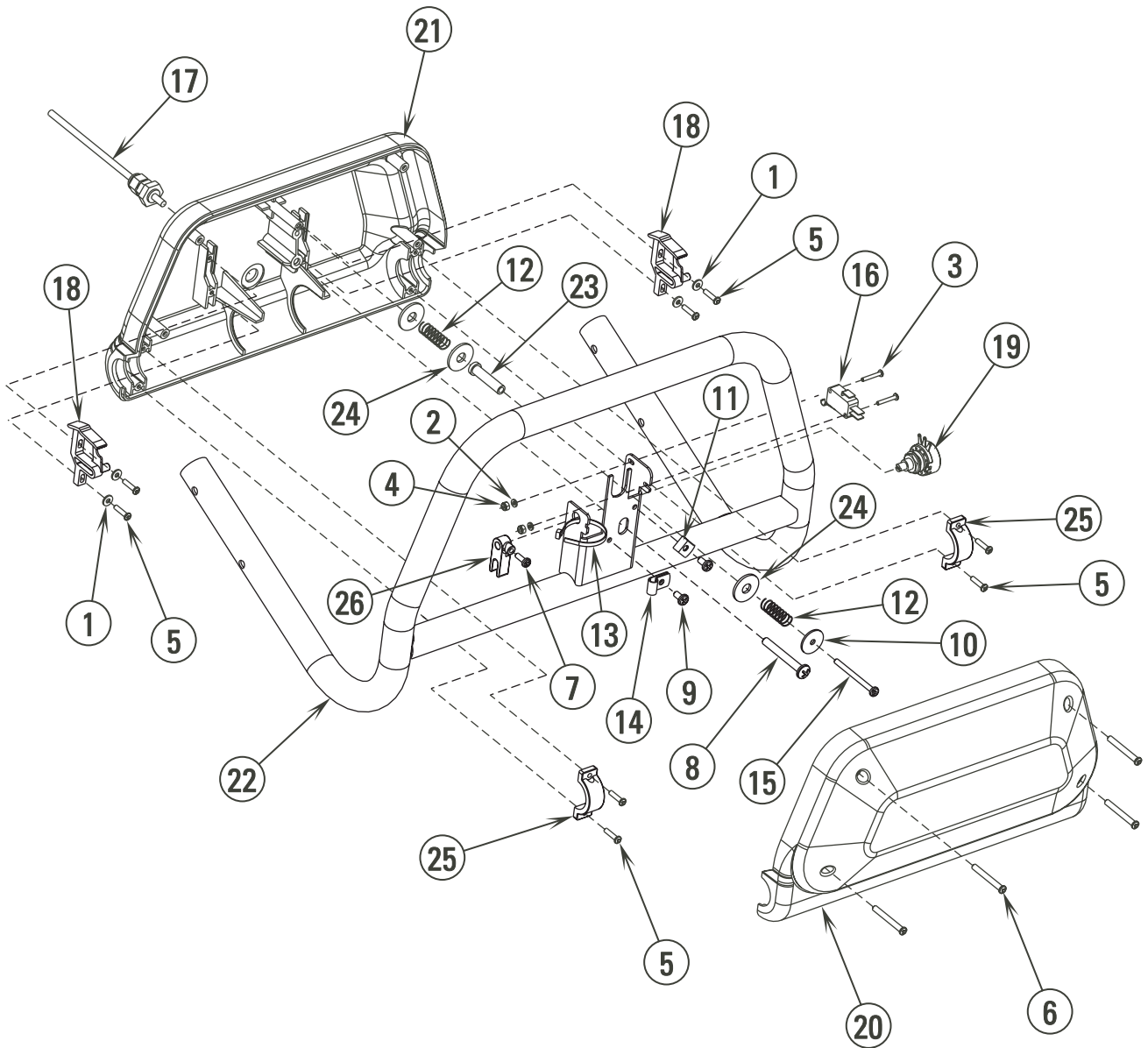
02-3

CONTROL HANDLE SYSTEM

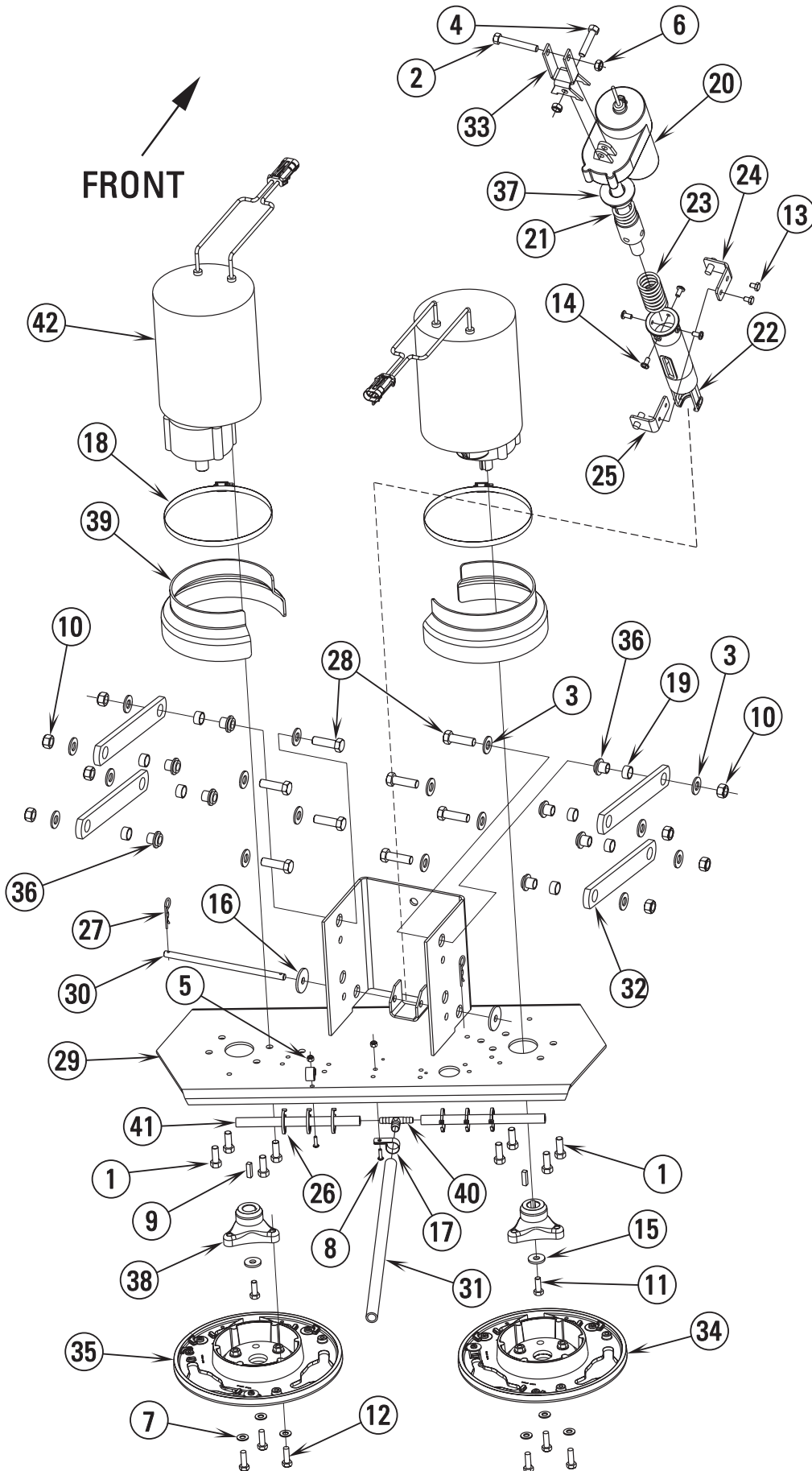
03-4

ConvertaMAX™ 34 / I-MAX™ 34HD**7**

Item	Ref. No.	Qty	Description	Item	Ref. No.	Qty	Description
1	56001833	2	Scr, Hex Hd 1/4-20 x 1.50	42	56478523	2	Tie, Cable
2	56001836	8	Scr, Hex Hd 1/4-20 x .62	43	56056596	1	Knob
3	56001860	4	Scr, Pan Phil 8-32 x .75	44			Intentionally Omitted
4	56001939	2	Wsh, Fit SAE 5/16	45	56396149	1	Grommet
5	56001967	4	Scr, Hex Hd 1/4-20 x 1.75	46	56396151	1	Gasket
6	56002098	10	Wsh, Fit SAE 1/4	47			Intentionally Omitted
7	56002124	2	Scr, Pan Phil 10-24 x .62	48			Intentionally Omitted
8	56002145	4	Scr, Pan Phil 1/4-20 x .50	49	56396188	1	Switch, Key
9	56002462	10	Scr, Pan Phil 1/4-20 x .38	*	56396189	A/R	Replacement Key
10	56002503	1	Scr, Hex Hd 10-24 x .50	50	56397515	1	Cover, Rear
11	56002539	2	Scr, Pan Phil Thd Form 6-32 x .31	51	56397538	1	Weldment, Electrical Panel
12	56002561	3	Nut, Hex W/SHPRF 1/4-20	52	56900041	1	Plug, Cap
13	56002708	2	Nut, Hex Nyl Loc 1/4-20	53	56396197	1	Potentiometer, 100K (Speed Control)
14	56002768	2	Nut, Hex Nyl Loc 10-24	54	56396199	1	Clamp, Plastic
15	56002825	1	Scr, Pan Phil 1/4-20 x 1.25	55	56396204	1	Hose, PVC 1/4 x 3/8 x 48
16	56002831	4	Scr, Pan Phil Blk 10-24 x .50	56	56396252	1	Clip, Spring
17	56002832	1	Nut, Hex Nyl Loc-Thin 10-24	57	56396321	1	Paddle, Handle Assy (see associated pages)
18	56002840	3	Nut, Hex Nyl Loc-Thin 1/4-20	58	56397189	1	Spacer
19	56002851	2	Nut, Hex Nyl Loc-Thin SS 5/16-18	59	56397211	1	Control Box Assy
20	56002956	2	Scr, Hex Hd Loc 5/16-18 x .75	60	56397250	1	Solenoid, SPDT 36V (Brush Motor)
21	56003174	1	Scr, Hex Thd to Hd M6-1.0 x 16MM	61			Intentionally Omitted
22	56003197	2	Scr, Pan Phil Plastite 6-18 x .62	62	56397252	1	Controller, 36V
23	56003403	1	Nut, Hex Nyl Loc M6-1.00	63	56397259	1	Display Panel Assembly
24	56009005	1	Scr, Pan Phil SS Type B 10-16 x .75	64	56397260	1	Display PCB Assy
25	56009055	4	Scr, Pan Phil 8-32 x .19	65	56397283	1	Weldment, Panel Rear TSBUS2002-830
26	56009069	4	Scr, Pan Phil Loc 1/4-20 x .50	66	56397291	2	Bracket
27	56009203	3	Stud, 1/4-20	67	56398000	1	Connector Assembly 4 AWG TSBUS2003-841
28	56009205	1	Wsh, Fit SS #10	68	56398001	1	Connector Assembly 1 AWG
29	56262531	1	Grommet	*	56396183	1	Main Harness
30	56387316	1	Circuit Breaker, 10 Amp (Control Circuit)				
31	56389265	2	Rectifier				
32	56395450	1	Contactora, 36V (Vac Motor)				* = Not Shown
33	56412089	1	Fuse, 150 Amp				
34	56416157	1	Relay, SPST (Brush Remove)				
35	56323560	1	Plug, Cap				
36	56418199	2	Grommet				
37	56452193	1	Circuit Breaker, 40 Amp (Wheel Drive)				
38	56456802	1	Barb, 90 Elbow 11/16 x 3/4NPT				
39	56459367	1	Boot, Reset Button				
40	56459368	1	Boot, Reset Button				
41	56469858	3	Electrical Mount				



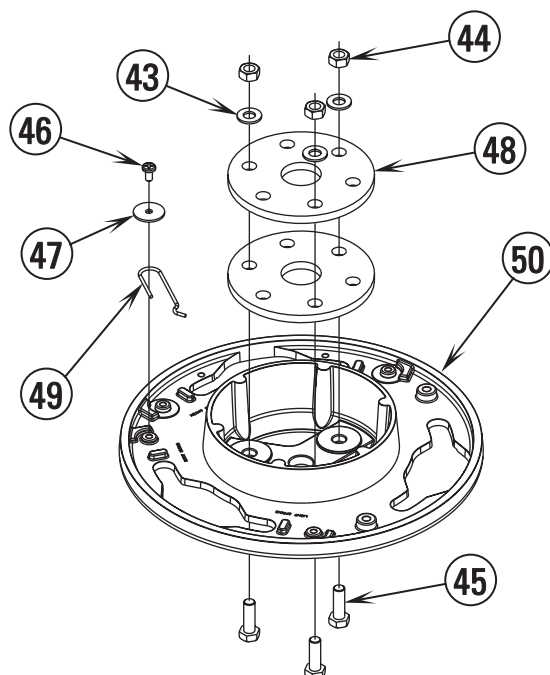
Item	Ref. No.	Qty	Description
	56396321	1	Paddle, Handle Assembly (#1-26)
1	56002006	4	Wsh, Fit SAE #6
2	56002431	2	Wsh, Fit SAE #4
3	56002713	2	Scr, Pan Phil 4-40 x .75
4	56002838	2	Nut, Hex Nyl Loc 4-40
5	56003197	8	Scr, Pan Phil Plastite 6-18 x .62
6	56003199	4	Scr, Pan Phil Plastite 8-15 x 1.50
7	56003354	1	Scr, Pan Phil M4 x 12
8	56003527	1	Scr, Pan Phil Plastite 1/4-10 x 2.00
9	56009030	2	Scr, Pan Phil Thd Form 10-24 x .38
10	56009096	1	Wsh, Fit .193 x .875 x .060
11	56220507	1	Clamp, P
12	56325654	2	Spring, Compression
13	56478246	1	Tie, Cable
14	56481890	1	Clamp, P
15	56009287	1	Scr, Pan Phil Type B 8 x 2.00
16	56263174	1	Switch, Snap SPDT (Squeegee Reverse)
17	56396234	1	Harness Assembly
18	56397015	2	Cam Controller
19	56397029	1	Potentiometer, 5K
20	56397030	1	Paddle, Front Molded
21	56397031	1	Paddle, Back Molded
22	56397034	1	Weldment, Handle
23	56397109	1	Sleeve
24	56397170	3	Washer, Plastic
25	56397171	2	Clamp
26	56397172	1	Potentiometer Fork

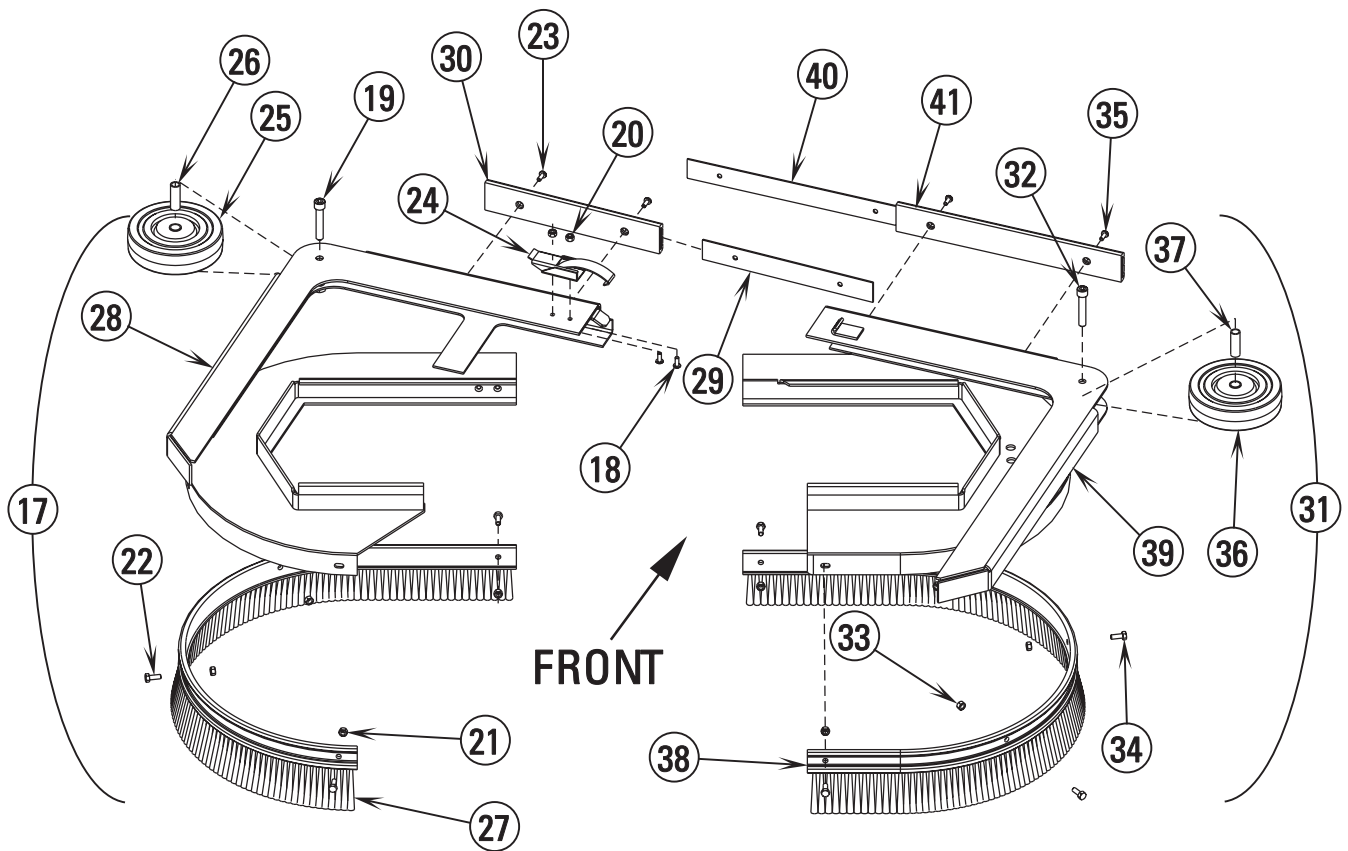
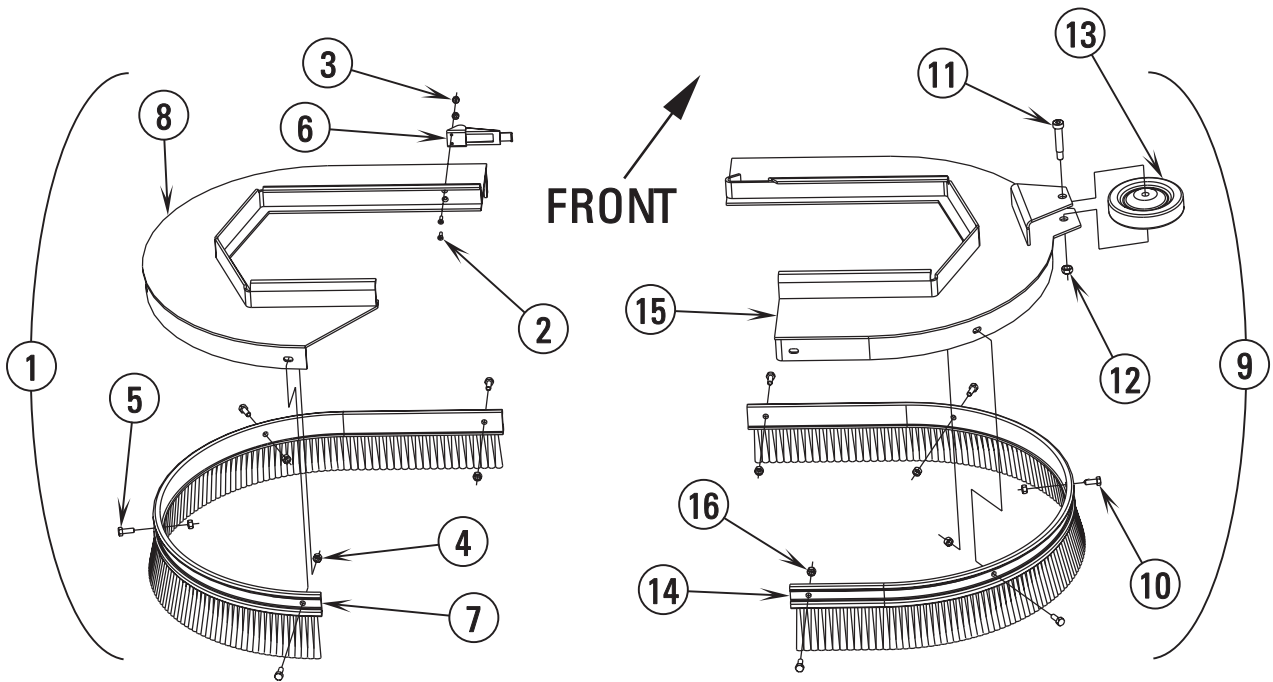


Item	Ref. No.	Qty	Description	Item	Ref. No.	Qty	Description
1	56002947	8	Scr, Hex Hd Loc 3/8-16 x 1.00	38	56314031	2	Hub, Drive
2	56001873	1	Scr, Hex Hd 3/8-16 x 2.50	39	56397112	2	Shroud, Motor
3	56001879	16	Wsh, Flt SAE 1/2	40	56397300	1	Tee, Barb
4	56002684	1	Scr, Hex Hd 3/8-16 x 1.75	41	56397301	2	Hose, PVC
5	56002808	2	Nut, Hex Nyl Loc 8-32	42	56635645	2	Motor & Gear Assy, 36VDC, .75HP (ConvertaMAX™ 34)
6	56002841	2	Nut, Hex Nyl Loc-Thin 3/8-16		56397296	2	Motor & Gear Assy, 36VDC, 1.0HP (I-MAX™ 34HD)
7	56002938	6	Wsh, Flt SAE SS 5/16	*	56397090	1	Bearing B.E.
8	56003001	2	Scr, Pan Phil SS 8-32 x .62	*	56397135	1	Bearing F.E.
9	56003244	2	Key, Sq .25 x .94	*	56397048	1	Brush Board Assy, W/Springs & Brushes
10	56003312	8	Nut, Hex Nyl Loc M12-1.75	*	56397138	4	Brush Spring
11	56003335	2	Scr, Hex Loc SS 5/16-18 x .88	*	56039276	4	Brush Assy.
12	56003477	6	Scr, Hex Loc SS M8-1.00 x 25mm	43	56002938	3	Wsh, Flt SAE SS 5/16
13	56009019	2	Scr, Hex Thd Form 1/4-20 x .38	44	56003405	3	Nut, Hex Nyl Loc SS M8 x 1.25
14	56009062	4	Scr, Pan Phil Thd Form 1/4-20 x .50	45	56003436	3	Scr, Hex Hd SS 8-1.25 x 25MM
15	56009107	2	Wsh, Flt SS .378 x 1.00 x .12	46	56009030	1	Scr, Pan Phil Thd Form 10-24 x .38
16	56009242	2	Wsh, Flt .406 x 1.50 x .125	47	56009096	1	Wsh, Flt .193 x .875 x .060
17	56328064	2	Clamp, P	48	56407053	2	Thermoid Disk
18	56355488	2	Clamp, Hose SAE #96	49	56397081	1	Spring Retainer
19	56370878	8	Bearing, Sleeve	50	56314030	1	Brush Holder
20	56393303	1	Actuator, Motor	**	56505780	2	Pad Holder
*	56470433	1	Carbon Brush Set	**	56505781	2	MagnaGrit Brush
*	56393790	2	Limit Switch	**	56505782	2	DynaGrit Brush
*	56388520	1	Plastic Drive Nut	**	56505783	2	AgLite Grit Brush
21	56412071	1	Compression Spring	**	56505784	2	Prolene Brush
22	56412262	1	Housing, Spring	**	56505785	2	ProLite Brush
23	56420018	1	Compression Spring	**	56505786	2	Union Mix Brush
24	56420019	1	Nut Retainer	**	56505787	2	MidGrit Brush
25	56420020	1	Nut Retainer	**	56505788	2	MidLite Brush
26	56478246	6	Tie, Cable	**	56182058	2	Lock Collar, Snap
27	56003120	2	Pin, Cotter Hair .0915 x .375	**	56393567	2	Lock Collar, Thrd
28	56003637	8	Scr, Hex M12-1.75 x 40mm				
29	56035078	1	Weldment, Brush Head				
30	56056474	1	Shaft, Steel				
31	56172099	1	Hose, PVC Clear				
32	56396045	4	Arm				
33	56396066	1	Yoke, Actuator				
34	56396080	1	Lug, Counterclockwise (#43-50)				
35	56396081	1	Lug, Clockwise (#43-50)				
36	56396196	8	Bushing				
37	56396268	1	Spring Housing Guide				

* = Not Shown

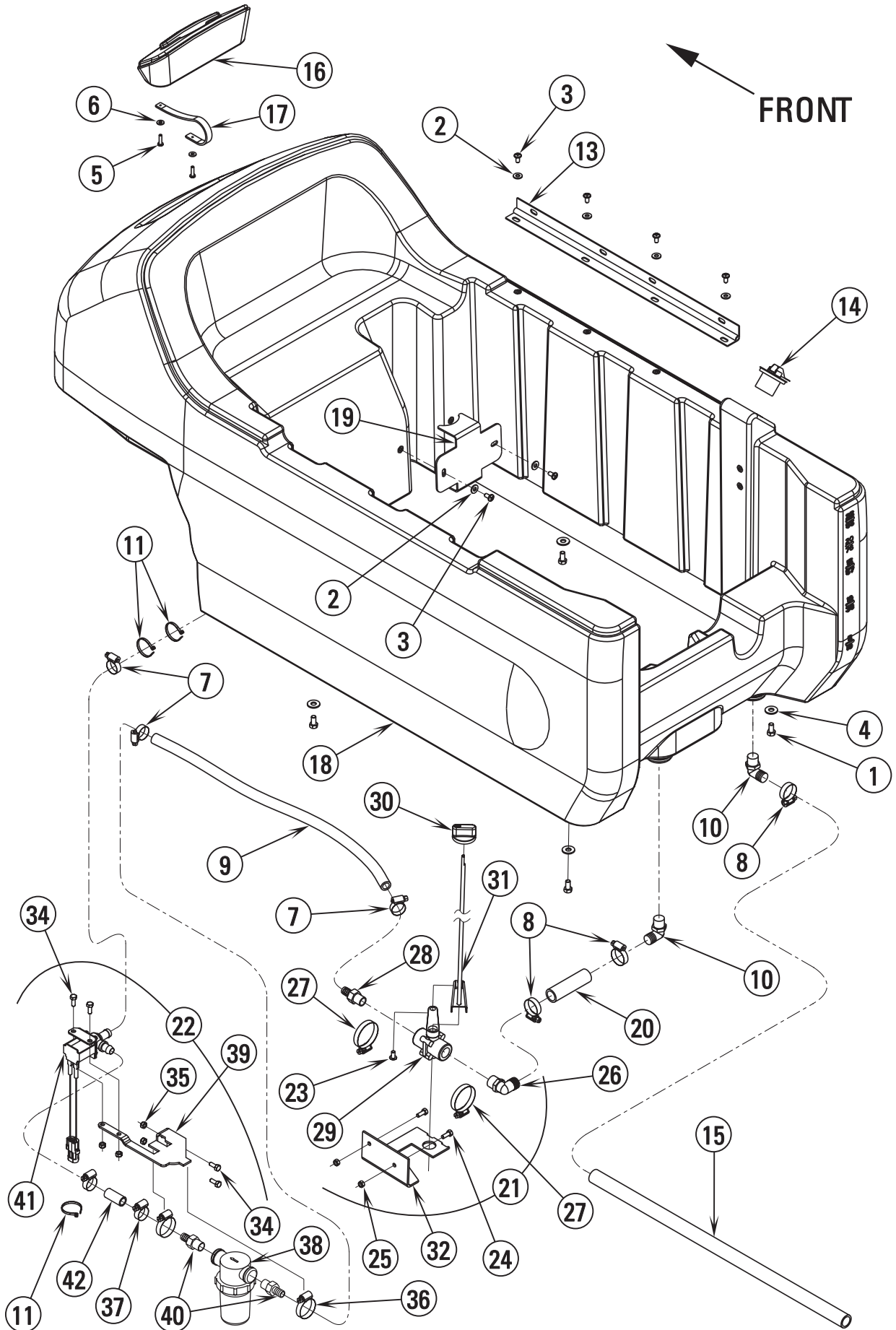
** = Not Included (optional)



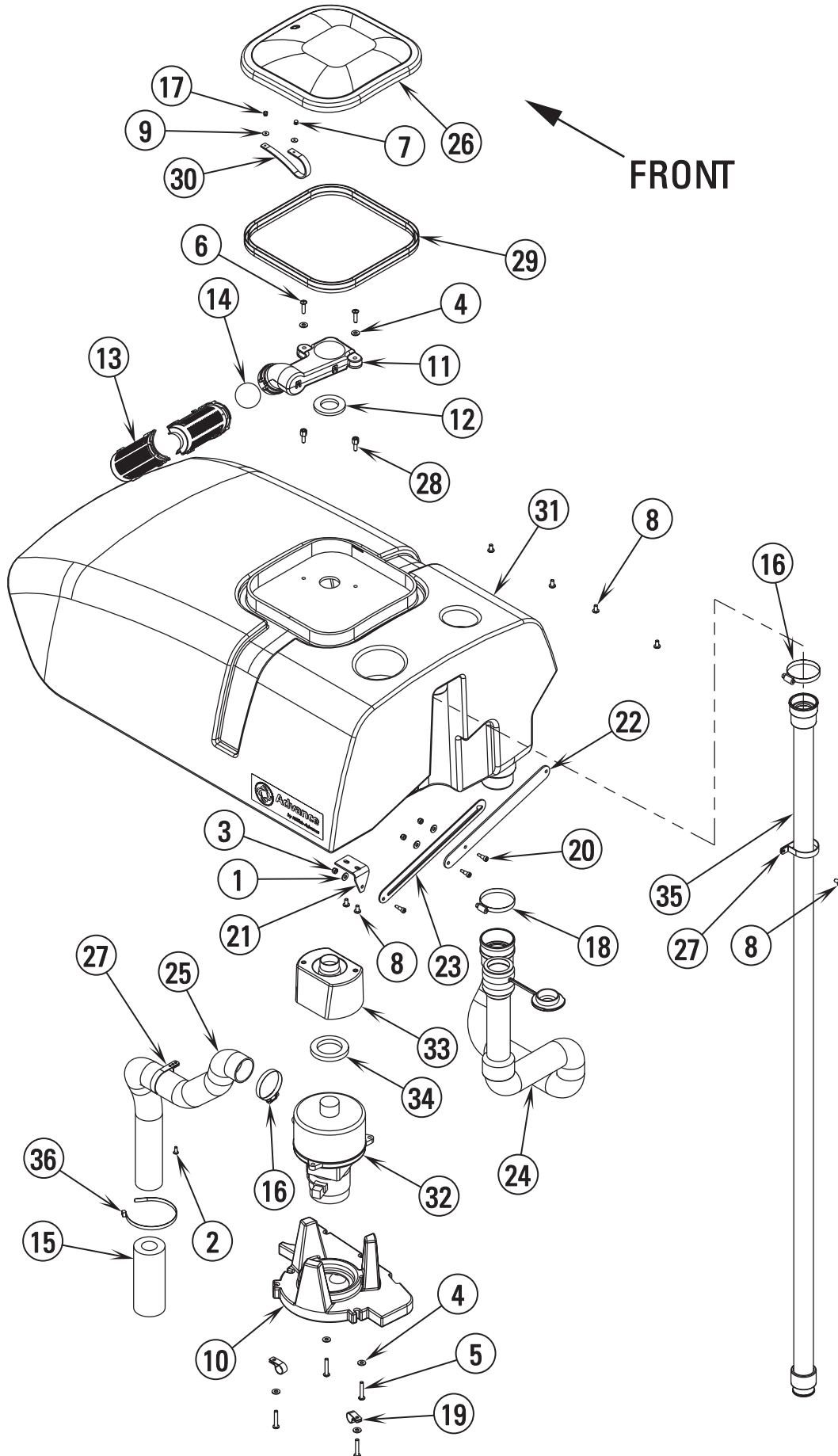


Item	Ref. No.	Qty	Description
1	56397543	1	Assembly, Brush Guard Left (#2-8 / ConvertaMAX™ 34)
2	56002816	2	Scr, Flt Phil 6-32 x .50
3	56002907	2	Nut, Hex Nyl Loc SS 6-32 x .50
4	56003426	4	Nut, Hex Nyl Loc SS M6-1.0
5	56003431	4	Scr, Hex Hd SS M6-1.0 x 16mm
6	56471191	1	Latch Assembly
7	56396089	1	Skirt, Bristle, Left
8	56397531	1	Weldment, Brush Cover Left
9	56397544	1	Assembly, Brush Guard Right (#10-16 / ConvertaMAX™ 34)
10	56003431	5	Scr, Hex Hd SS M6-1.0 x 16mm
11	56002625	1	Scr, Soc Shd .38 x 1.50 x 5/16-18
12	56002701	1	Nut, Hex Nyl Loc 5/16-18
13	56228102	1	Wheel
14	56396090	1	Skirt, Bristle, Right
15	56397536	1	Weldment, Brush Cover, Right
16	56003426	5	Nut, Hex Nyl Loc SS M6 x 1.0
**	56397080	1	Rubber Blade Kit (All models)
17	56397269	1	Assembly, Brush Cover, Left (#18-30 / I-MAX™ 34HD)
18	56001993	2	Scr, Pan Phil 10-24 x .50
19	56002133	1	Scr, Soc Hd 3/8-16 x 2.00
20	56002768	2	Nut, Hex Nyl Loc 10-24
21	56003426	4	Nut, Hex Nyl Loc SS M6-1.0
22	56003431	4	Scr, Hex Hd SS M6-1.0 x 16mm
23	56009082	2	Scr, Pan Phil Thd Form-Blk 10-24 x .50
24	56054306	1	Clamp, Toggle Latch
25	56161691	1	Wheel, Black
26	56056684	1	Spacer, Steel
27	56396089	1	Skirt, Bristle, Left
28	56397270	1	Weld't, Brush Cover, Left HD
29	56397277	1	Strap
30	56397278	1	Bumper
31	56397267	1	Assembly, Brush Cover, Right (#32-41 / I-MAX™ 34HD)
32	56002133	1	Scr, Soc Hd 3/8-16 x 2.00
33	56003426	5	Nut, Hex Nyl Loc SS M6-1.0
34	56003431	5	Scr, Hex Hd SS M6-1.0 x 16mm
35	56009082	2	Scr, Pan Phil Thd Form-Blk 10-24 x .50
36	56161691	1	Wheel, Black
37	56056684	1	Spacer, Steel
38	56396090	1	Skirt, Bristle, Right
39	56397268	1	Weld't, Brush Cover, Right HD
40	56397277	1	Strap
41	56397278	1	Bumper
**	56397080	1	Rubber Blade Kit (All models)

** = Optional



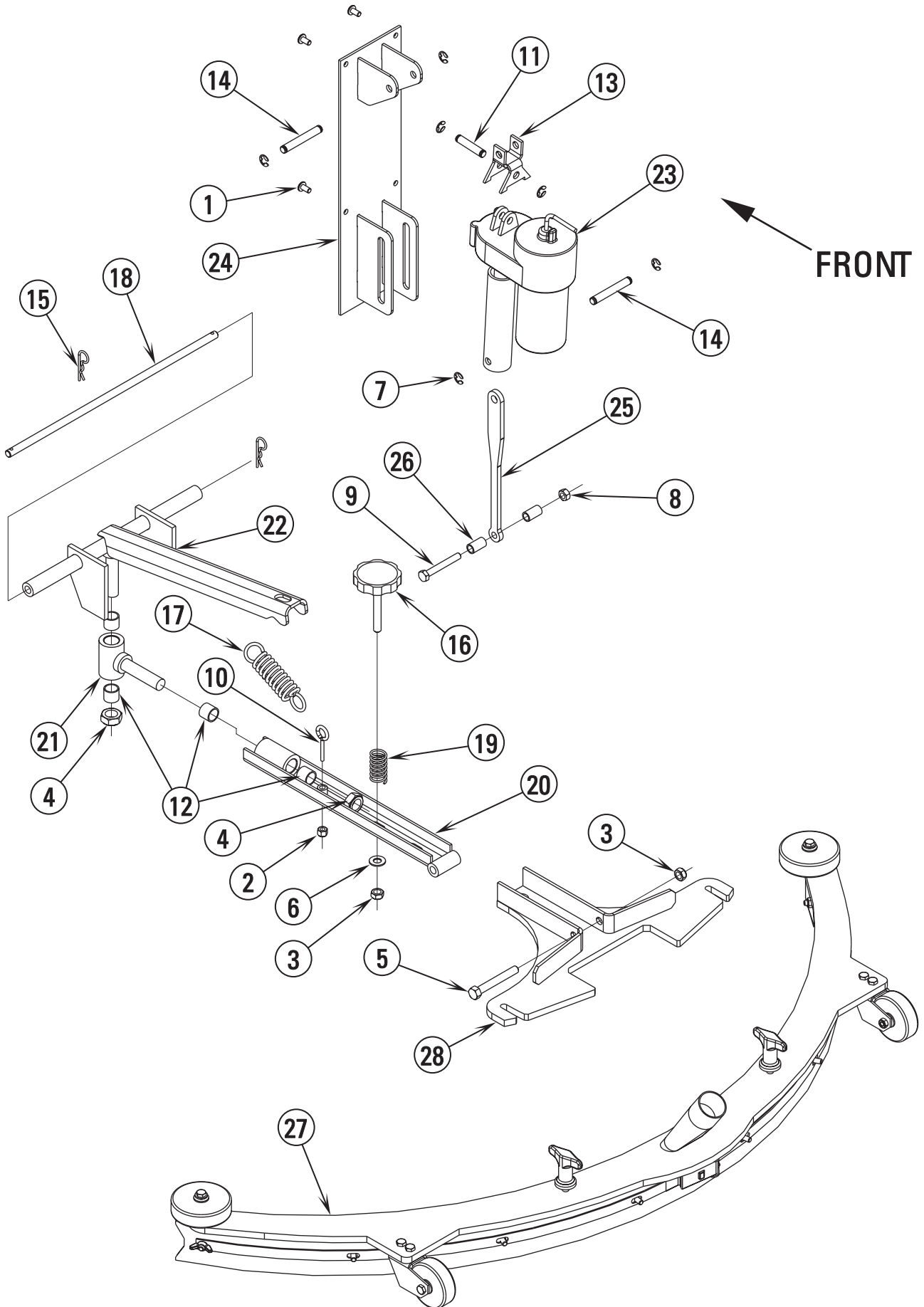
Item	Ref. No.	Qty	Description
1	56002035	4	Scr, Hex Hd 5/16-18 x .62
2	56002098	6	Wsh, Flt SAE 1/4
3	56002145	6	Scr, Pan Phil 1/4-20 x .50
4	56002220	4	Wsh, Flt STD 5/16
5	56009005	2	Scr, Pan Phil SS Type B 10-16 x .75
6	56009205	2	Wsh, Flt SS #10
7	56219932	3	Clamp, Hose SAE #6
8	56244969	3	Clamp, Hose SAE #12
9	56324249	1	Hose, Spiral .50
10	56456802	2	Barb, 90 Elbow 11/16 x 3/4NPT
11	56478246	3	Tie, Cable
12	56051836	1	Hook (Not Shown)
13	56056291	1	Hinge
14	56057852	1	Plug, Expansion
15	56261265	1	Hose, .75 Clear PVC, 25.00
16	56397021	1	Lid, Solution
17	56397167	1	Strap, Retaining
18	56397220	1	Tank, Solution
19	56397287	1	Bracket
20	56397540	1	Hose, .75 ID
21	56397524	1	Water Valve Assembly (items 23-32)
22	56397533	1	Assembly, Filter 36V LC (items 34-42) TSBUS2003-835
	56397214	1	Assembly, Filter 36V (#34-42) TSBUS2003-835
23	56003119	1	Scr, Pan Phil SS 1/4-20 x .50
24	56003174	2	Scr Hex Thd to Hd M6-1.0 x 16MM
25	56003403	2	Nut, Hex Nyl Loc M6-1.00
26	56244985	1	Barb, 90 Elbow 3/4 x 1/2 NPT
27	56329145	2	Clamp, Hose SAE #24
28	56412184	1	Barb, Adapter 1/2 x 1/2 NPT
29	56057830	1	Valve, Ball
30	56396201	1	Knob
31	56396310	1	Flow Valve Weld't
32	56397526	1	Bracket, Valve
34	56003174	4	Scr, Hex Thd to Hd M6-1.0 x 16MM
35	56003403	4	Nut, Hex Nyl Loc M6-1.00
36	56131601	2	Clamp, Hose SAE #16
37	56219932	2	Clamp, Hose SAE #6
38	56260905	1	Strainer TSBUS2003-835
	56412173	1	Solution Filter TSBUS2003-835
39	56396068	1	Filter Bracket
40	56397145	2	Barb, Hose Female TSBUS2003-835
	56412184	2	Barb, Adapter 1/2 x 1/2NPT TSBUS2003-835
41	56397215	1	Solenoid Valve Assy. 36V
42	56396330	1	Hose, PVC Clear TSBUS2003-835
	56397217	1	Hose, PVC Clear TSBUS2003-835



Item	Ref. No.	Qty	Description
1	56002098	3	Wsh, Flt SAE 1/4
2	56001993	1	Scr, Pan Phil 10-24 x .50
3	56002768	3	Nut, Hex Nyl Loc 10-24
4	56002859	6	Wsh, Flt SAE SS 1/4
5	56002905	4	Scr, Pan Phil SS 1/4-20 x 1.50
6	56003067	2	Scr, Pan Phil SS 1/4-20 x 1.00
7	56003293	1	Rivet, Pop A/S .125 x .38/.50
8	56002145	7	Scr, Pan Phil 1/4-20 x .50
9	56009098	2	Wsh, Flt SS .125 x .50 x .036
10	56302141	1	Vac Motor Duct
11	56302142	1	Float Duct
12	56302165	1	Gasket
13	56324497	2	Cage, Float
14	56391690	1	Ball, Float
15	56391807	1	Foam, Acoustical
16	56440213	2	Clamp, Hose SAE #32
17	56003642	1	Rivet, Pop .50 x .62 NOTE 1
18	56456797	1	Clamp, Hose SAE #36
19	56486112	2	Clamp P
20	56003537	3	Scr, Soc Shd .25 x .38 x 10-24
21	56057504	1	Bracket, Steel
22	56057505	1	Bar
23	56057508	1	Bar, Steel
24	56396031	1	Drain Hose
25	56397040	1	Vacuum Exhaust Hose
26	56397045	1	Lid
27	56397095	2	Clamp, Hose
28	56397096	2	Spacer, Bolt
29	56397151	1	Gasket
30	56397167	1	Strap, Retaining
31	56396225	1	Tank, Recovery
32	56397228	1	Motor, Vac 36VDC
*	56212223	1	Carbon Brush Set
33	56397303	1	Spacer, Vac Motor
34	56397307	1	Gasket, Vac
35	56396287	1	Vac Hose 1.50 Assy
36	56477613	1	Tie, Cable

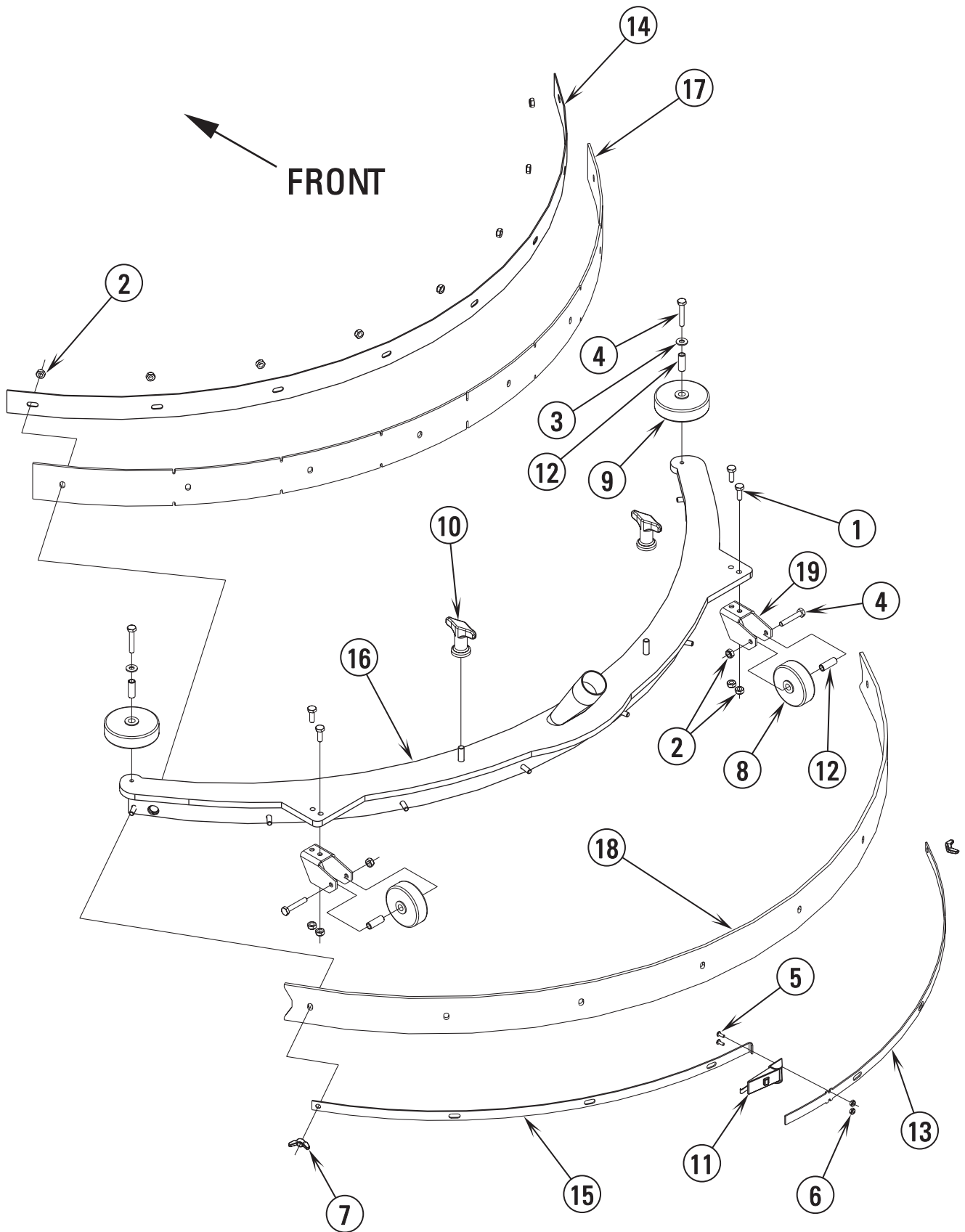
* = Not Shown

NOTE 1: Fill rivet with 409 Super Bonder Gel after installing.



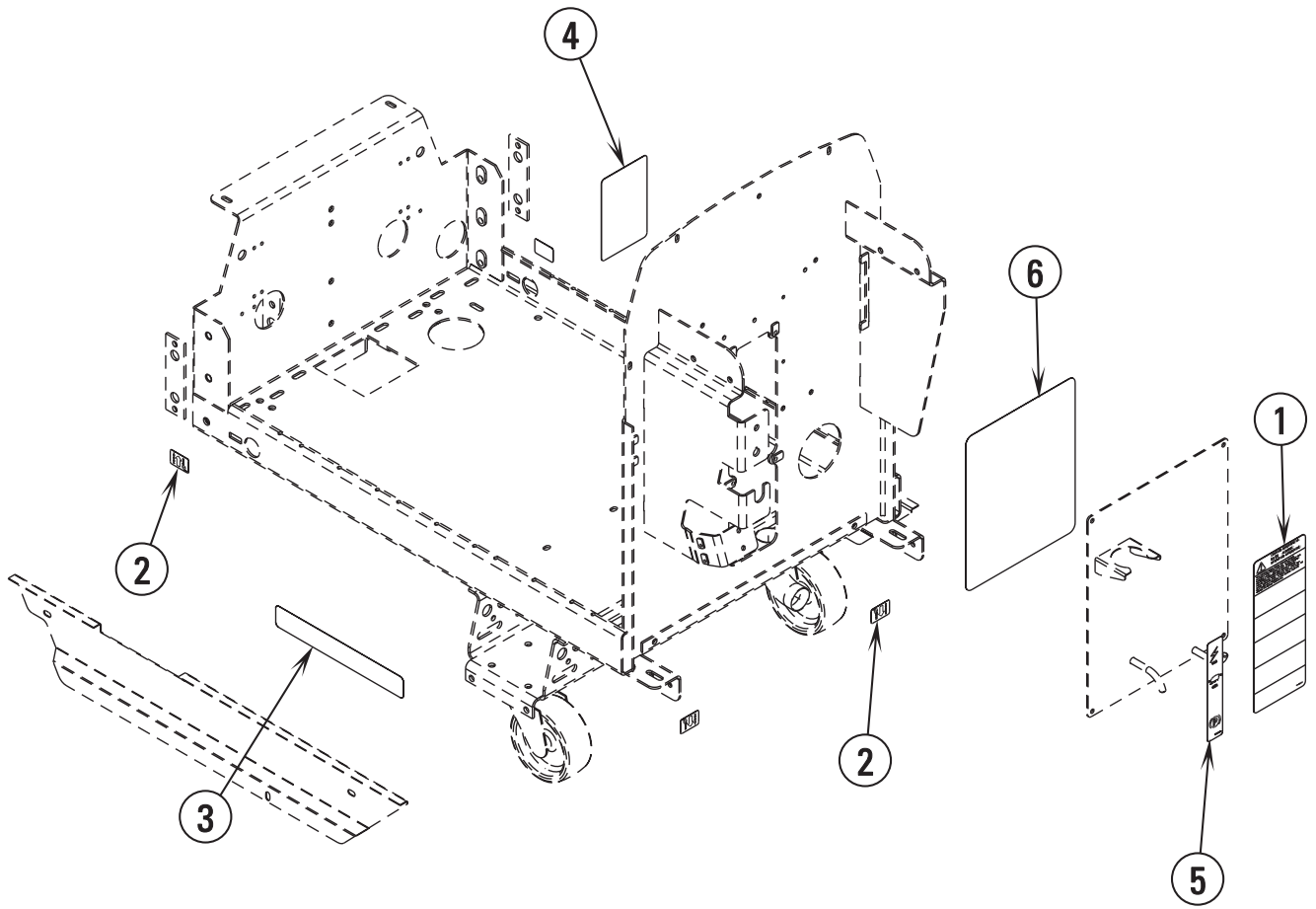
Item	Ref. No.	Qty	Description
1	56002145	4	Scr, Pan Phil 1/4-20 x .50
2	56002708	1	Nut, Hex Nyl Loc 1/4-20
3	56002852	2	Nut, Hex Nyl Loc-Thin SS 3/8-16
4	56002855	2	Nut, Hex Nyl Loc-Thin SS 5/8-11
5	56002903	1	Scr, Hex Hd SS 3/8-16 x 2.75
6	56002910	1	Wsh, Flt SAE SS 3/8
7	56003262	6	Ring, Ret Ext Type E 0.38 Dia
8	56003405	1	Nut, Hex Nyl Loc SS M8 x 1.25
9	56003464	1	Scr, Hex Hd SS M8-1.25 x 60MM
10	56009220	1	Bolt, Eye 1/4-20 x 1.38
11	56104760	1	Pin
12	56367389	4	Bearing, Sleeve
13	56392454	1	Yoke, Actuator
14	56412088	2	Pin
15	56003120	2	Pin, Cotter Hair .0915 x .375
16	56035163	1	Assembly, Knob, Adjustment
17	56051136	1	Spring, Ext
18	56056371	1	Shaft .375 x 14.62
19	56056585	1	Compression Spring
20	56396076	1	Squeegee Bar Weld't
21	56396085	1	Squeegee Pivot Weld't
22	56397093	1	Squeegee Lift Weld't
23	56397230	1	Actuator, Motor 36V
*	56470433	1	Carbon Brush Set
*	56393790	2	Limit Switch
24	56397279	1	Weldment, Actuator Mount
25	56397285	1	Link
26	56397286	2	Spacer
27	56397349	1	Squeegee Assembly (ConvertaMAX™ 34) (see associated pages)
	56397227	1	34 Squeegee Assembly (I-MAX™ 34HD) (see associated pages)
28	56397356	1	Mounting Plate Weldment

* = Not Shown

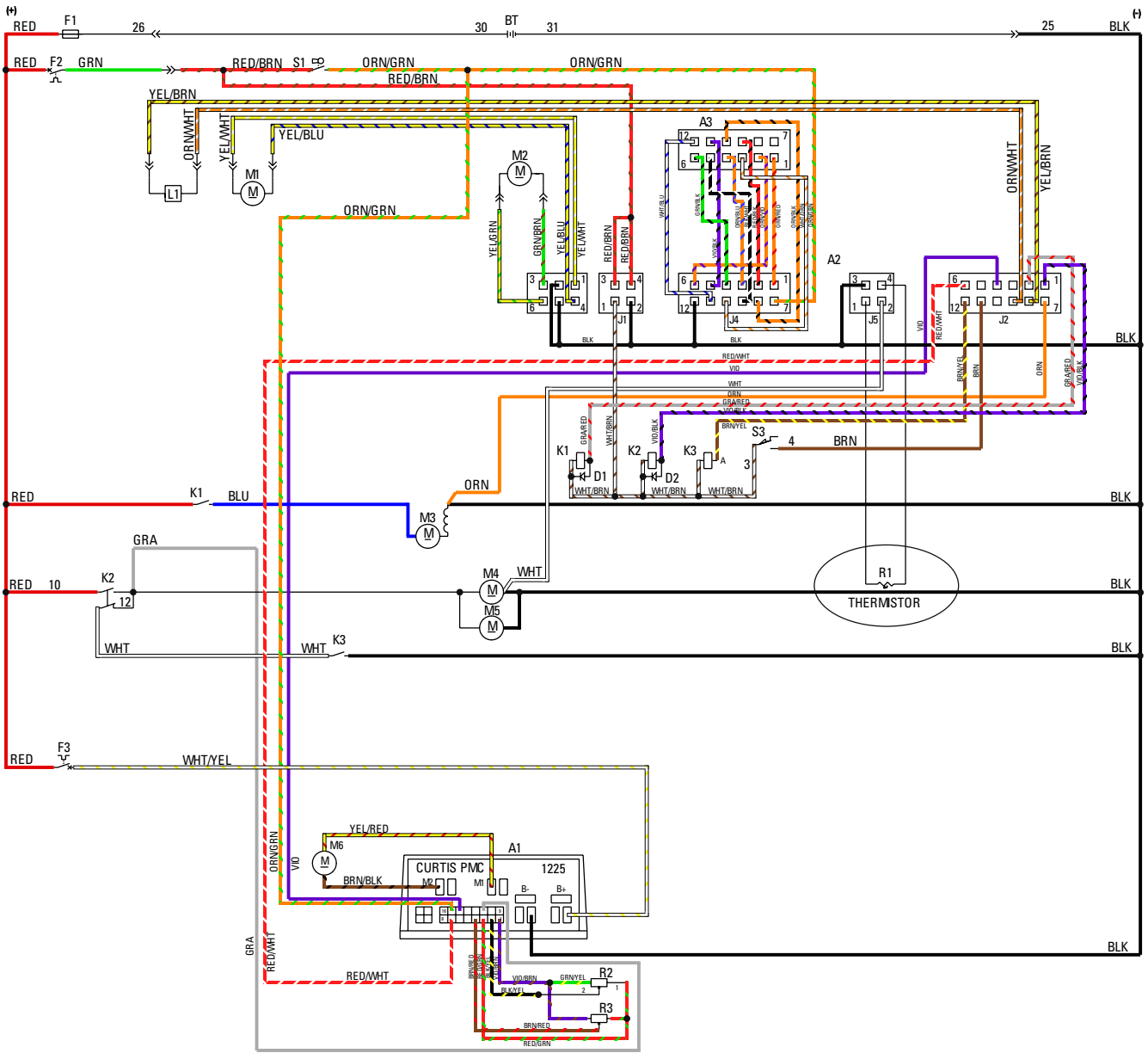


Item	Ref. No.	Qty	Description
1	56002807	4	Scr, Hex Hd SS 1/4-20 x .75
2	56002850	14	Nut, Hex Nyl Loc-Thin SS 1/4-20
3	56002859	2	Wsh, Fit SAE SS 1/4
4	56002901	4	Scr, Hex Hd SS 1/4-20 x 1.50
5	56002909	2	Scr, Pan Phil SS 6-32 x .38
6	56002964	2	Nut, Hex Nyl Loc-Thin SS 6-32
7	56009048	2	Nut, Wing Loc 1/4-20
8	56324350	2	Wheel
9	56324499	2	Wheel 3.00
10	56370711	2	Nut, Thumb
11	56471194	1	Latch Assembly
12	56471220	4	Bushing .25 x .37 x 1.0
13	56397353	1	Strap, Rear
14	56397354	1	Strap, Front
15	56397355	1	Strap, Rear
16	56397359	1	Squeegee Tool Weldment
17	56397362	1	Blade, Front (ConvertaMAX™ 34)
	56397089	1	Blade, Front (I-MAX™ 34HD)
18	56397363	1	Blade, Rear (ConvertaMAX™ 34)
	56397091	1	Blade, Rear (I-MAX™ 34HD)
19	56409656	2	Bracket, Wheel
**	56397094	1	Blade Kit (Gum) (contains one 56397363 & 56397362)
**	56397106	1	Blade Kit (Linatex) (contains one 56397091 & 56397089)
**	56397147	1	Blade, Front-Tile Gum
**	56397148	1	Blade, Front-Tile Linatex
**	56397595	1	Blade, Kit – Oil Resistant

** = Optional



Item	Ref. No.	Qty	Description
1	56014601	1	Decal, Caution
2	56015370	4	Decal, Tie Down
3	56016410	2	Decal, 34 Commercial (ConvertaMAX™ 34)
	56016412	2	Decal, 34 Industrial (I-MAX™ 34HD)
4	56016413	1	Decal, Battery Wiring
5	56016451	1	Decal, Circuit Breaker
6	56016320	1	Decal, Electrical Schematic



Item	Ref. No.	Qty	Description
A1	56397252	1	Controller, 36V
A2	56397211	1	Control Assy
A3	56397259	1	Display Panel Assembly
BT	N/A		Battery (36V system)
D1	56389265	1	Diode
D2	56389265	1	Diode
F1	56412089	1	Fuse, 150 Amp
F2	56387316	1	Circuit Breaker 10 Amp (Control Circuit)
F3	56452193	1	Circuit Breaker 40 Amp (Wheel Drive)
K1	56395450	1	Contact, 36 VDC (Vac Motor)
K2	56397250	1	Contact, 36V, SPDT (Brush Motor)
K3	56416157	1	Relay, SPST, 36V (Brush Remove)
L1	56397215	1	Solenoid Valve
M1	56393303	1	Actuator, Motor (Brush Lift)
*	56470433	1	Carbon Brush Set
*	56393790	2	Limit Switch
*	56388520	1	Plastic Drive Nut
M2	56397230	1	Actuator, Motor (Squeegee Lift)
*	56470433	1	Carbon Brush Set
*	56393790	2	Limit Switch
M3	56397228	1	Motor, Vac 36VDC
*	56212223	1	Carbon Brush Set
M4	56635645	1	Motor & Gear Assy, 36VDC, .75HP (Brush Drive / ConvertaMAX™ 34)
	56397296	1	Motor & Gear Assy, 36VDC, 1.0HP (Brush Drive / I-MAX™ 34HD)
M5	56635645	1	Motor & Gear Assy, 36VDC, .75HP (Brush Drive / ConvertaMAX™ 34)
	56397296	1	Motor & Gear Assy, 36VDC, 1.0HP (Brush Drive / I-MAX™ 34HD)
M6	56397316	1	Motor & Gear Assy, 36VDC, .75HP (Wheel Drive)
R1		1	Thermistor (part of Cable Assy 56397297)
R2	56397029	1	Potentiometer, 5K (Forward / Reverse)
R3	56396197	1	Potentiometer, 100K (Speed Control)
S1	56396188	1	Switch, Key
*	56396189	A/R	Replacement Key
S3	56263174	1	Switch, Snap SPDT (Squeegee Reverse)
10	56396194	1	Cable Assembly 4 AWG
12	56396193	1	Cable Assembly 4 AWG
*	56396234	1	Harness, Handle Wiring
*	56396183	1	Harness, Main Wiring
*	56372673	12	Boot, Battery Post
*	56456460	4	Cable Assembly (Battery Cable)
*	56416445	2	Cable Assembly (Battery Cable)
*	56398000	1	Connector Assembly (TSBUS2003-841) (Connects to Batteries)
*	56398001	1	Connector Assembly (Connects to Machine)
***	56397090	1	Bearing B.E.
***	56397135	1	Bearing F.E.
***	56397048	1	Brush Board Assy, W/Springs & Brushes
***	56397138	4	Brush Spring
***	56039276	4	Brush Assy

* = Not Shown

*** = Replacement Parts for 56635645 & 56397296

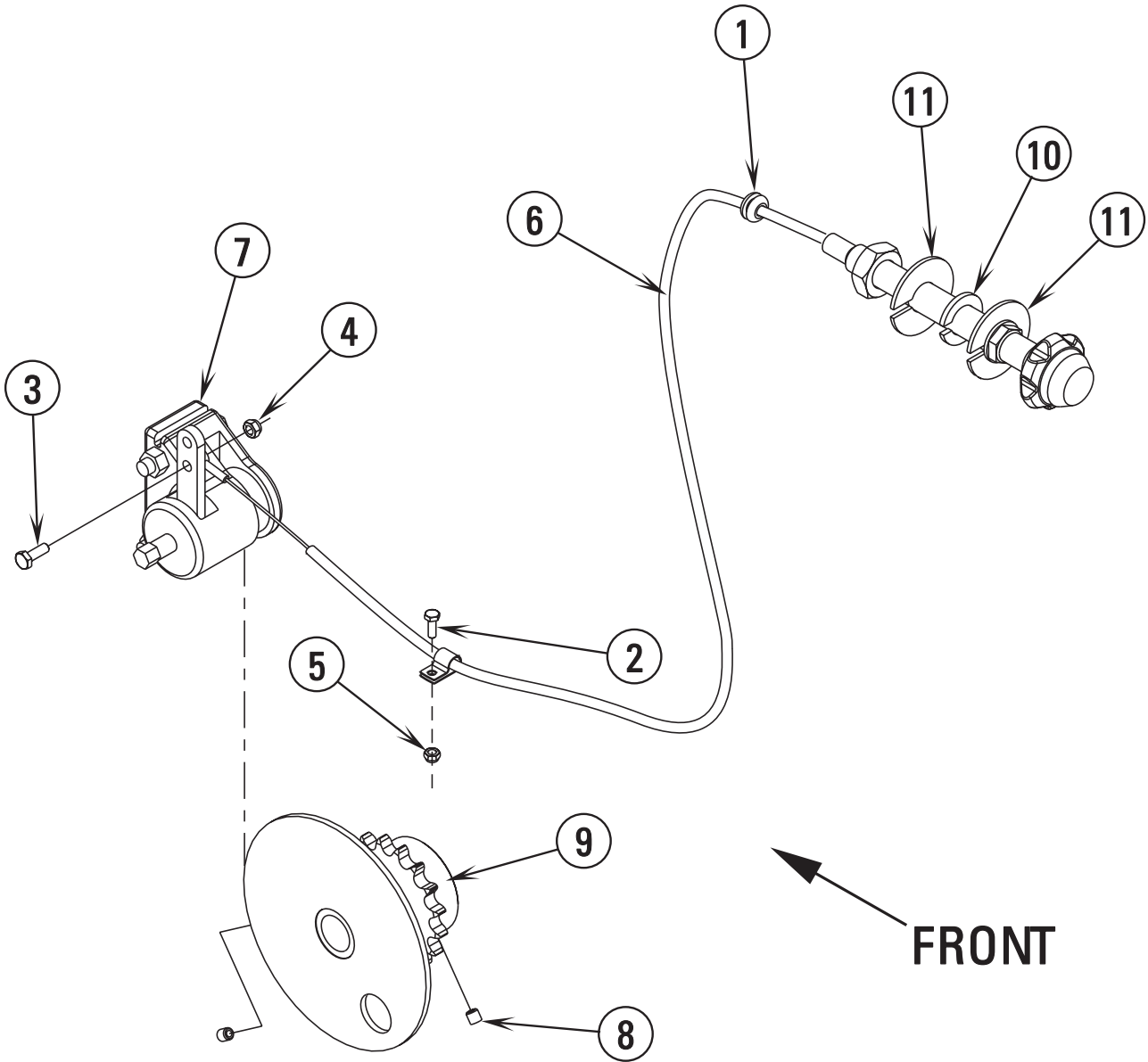
PARKING BRAKE KIT

02-3

26

ConvertaMAX™ 34 / I-MAX™ 34HD

02-11



02-3

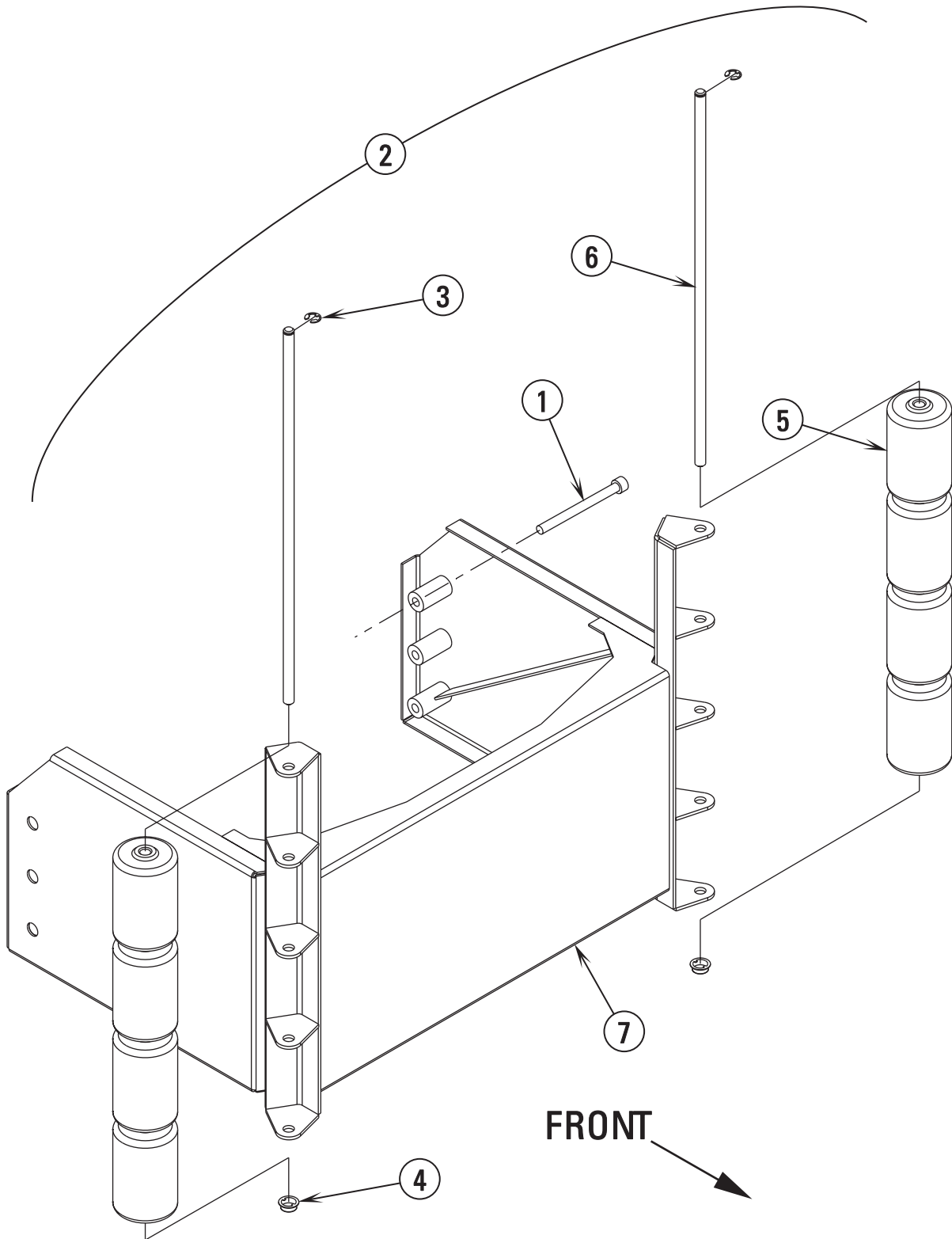
PARKING BRAKE KIT

02-11

ConvertaMAX™ 34 / I-MAX™ 34HD**27**

Item	Ref. No.	Qty	Description
	56396323	1	Kit, Parking Brake
1	56321559	1	Grommet
2	56002503	1	Scr, Hex Hd 10-24 x .50
3	56003358	1	Scr, Hex M6-1.00 x 25mm
4	56003403	1	Nut, Hex Nyl Loc M6-1.00
5	56002768	1	Nut, Hex Nyl Loc 10-24
6	56056323	1	Cable, Brake Assembly
7	56056245	1	Brake, Mechanical Caliper
8	56001826	2	Scr, Soc Set Loc 5/16-18 x .50
9	56396036	1	Sprocket Weldment
10	56396329	1	Plate, Brake Align
11	56396328	2	Plate, Brake Mount
*	56040768	1	Instruction Sheet

* = Not Shown



02-3

HIGH TOWER ROLLER BUMPER KIT

02-11

ConvertaMAX™ 34 / I-MAX™ 34HD**29**

Item	Ref. No.	Qty	Description
	56396322	1	Kit, Industrial Bumper
1	56002134	6	Scr, Soc Hd 3/8-16 x 2.25
2	56397239	1	Assembly, Industrial Bumper (#3-7)
3	56003264	2	Ring, Ret Ext Type E .50 Dia
4	56009097	2	Nut, Push Cap 1/2
5	56392102	8	Roller
6	56392809	2	Rod
7	56397245	1	Industrial Bumper Weldment
*	56040767	1	Instruction Sheet

* = Not Shown



Nilfisk-Advance, Inc.
14600 21st Avenue North
Plymouth, MN, 55447-3408
www.nilfisk-advance.com
Phone: 800-989-2235
Fax: 800-989-6566
©2002 Nilfisk-Advance, Inc.,
Plymouth, MN 55447-3408
Printed in the U.S.A.