



Electronic Service Manuals

This electronic document is provided as a service to our customers. We do not create the contents of the information contained in this document. Should you have detailed questions pertaining to the information contained in this document, you may contact Michco, or the manufacturer which provided the original information in this electronic deliverable. Michco's only part in this electronic deliverable was the electronic assembly process.

You may contact Michco through the following methods:
Phone (517) 484-9312 or (800) 331-3339 MI, OH, IN only
2011 N. High St. -- Lansing, Michigan -- 48906
Fax: (517) 484-9836
Email: CustServ@Michco.com
Web site: www.Michco.Com
Parts Web site: www.FloorMachineParts.Com

Order Parts on Line at:
www.FloorMachineParts.Com

Directly to Parts & Service:
By Email: **Shop@Michco.com**
By Fax: (517) 702-2041
By Voice: Use numbers above.

Serving the Cleaning Industry Since 1922

Notice: All copyrighted material remains property of original owners, all trademarks are property of respective owners. Manuals are subject to Manufacturer's reproduction limitations. Originals or reproductions were provided by manufacturers through a request. We make no warranty as to the correctness of information provided in this document and you assume all risk.

CONVERTAMATIC

MODEL 380 BHD

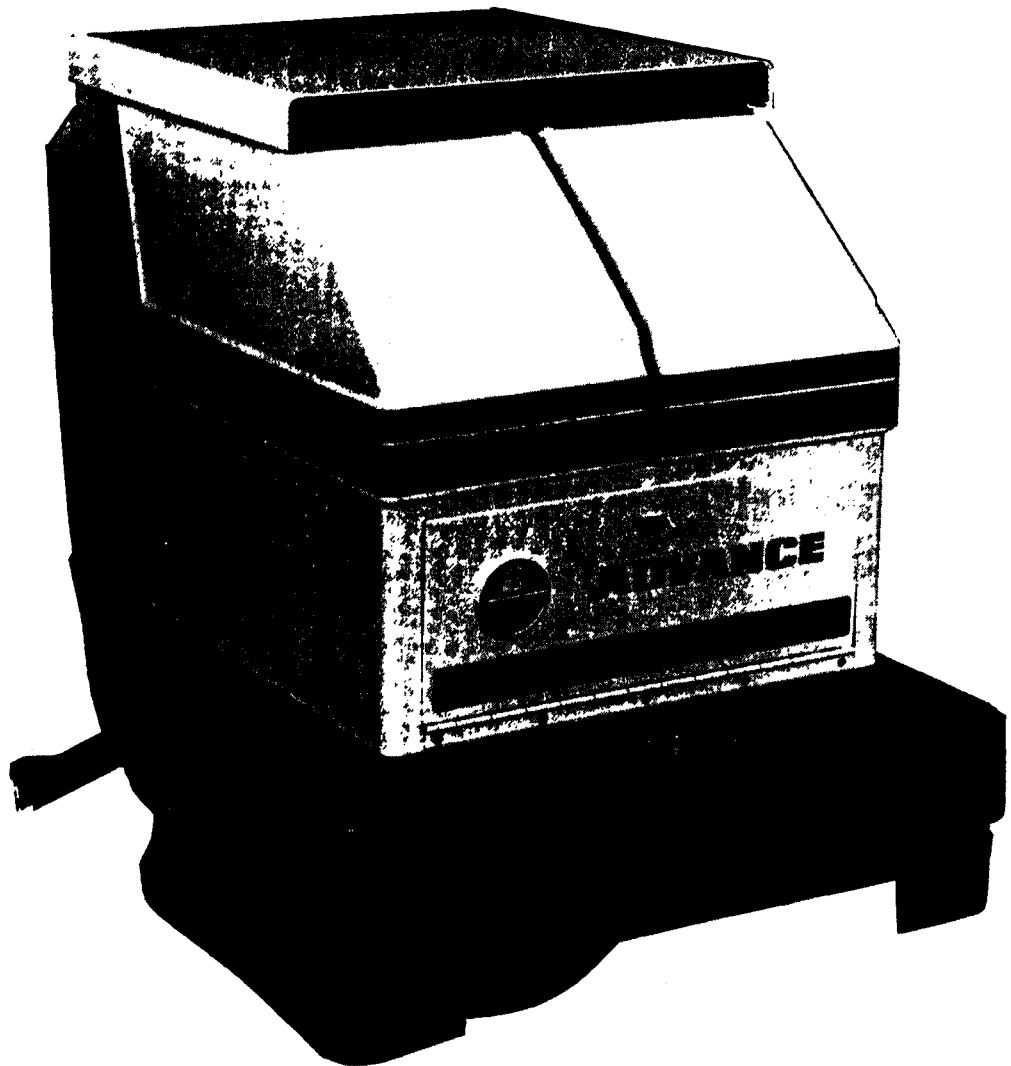
SERIAL NO. 847 844

FORM NO. 042 062

AUGUST 1981

REVISED 3/84

PARTS LIST



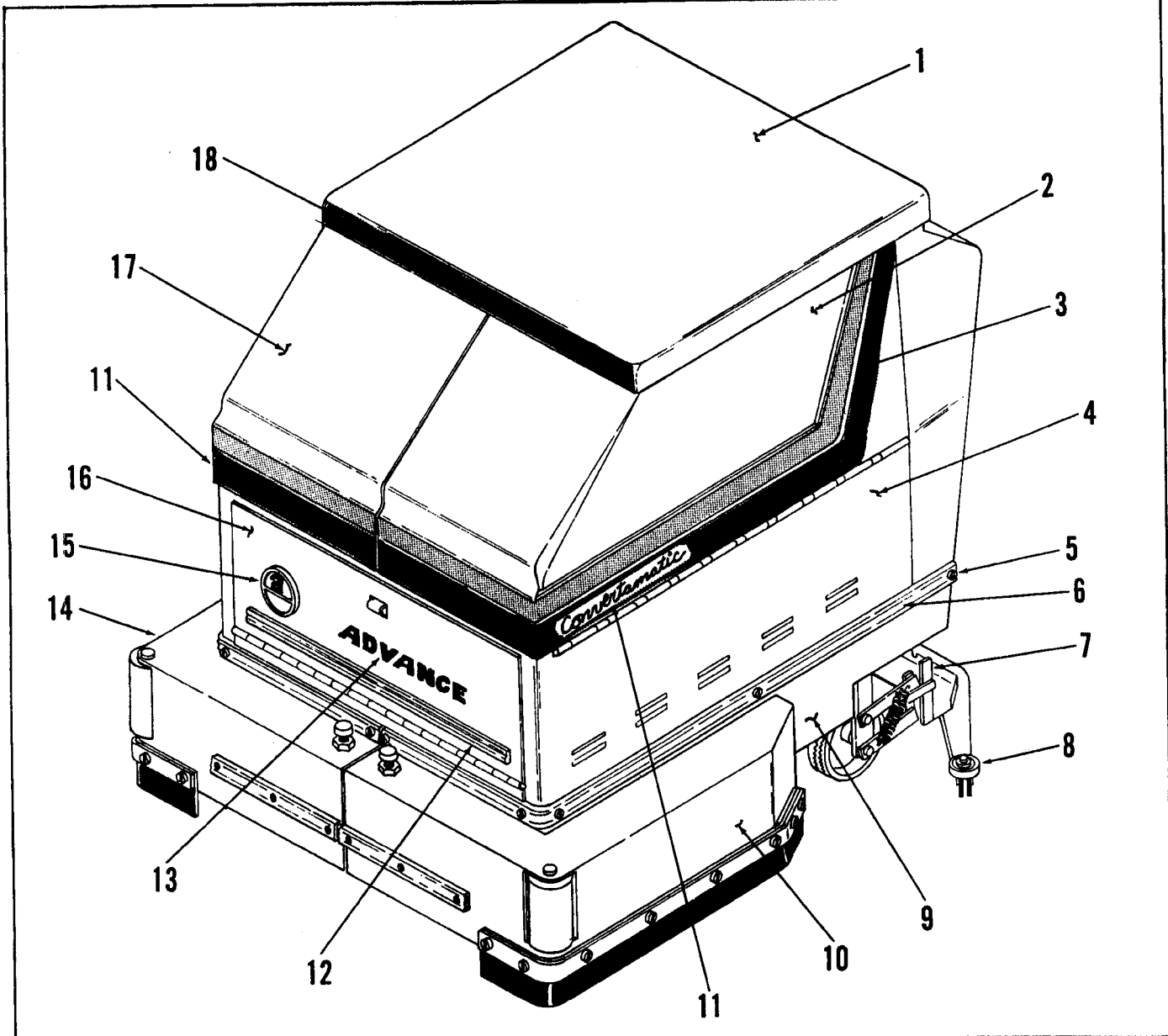
ADVANCE

INTERNATIONAL HEADQUARTERS, Spring Park, Minnesota 55384 USA
EUROPE, 4 Rue Jean Engling, L. 1466 Luxembourg
CANADA, 45 Iron Street, Rexdale, Ontario



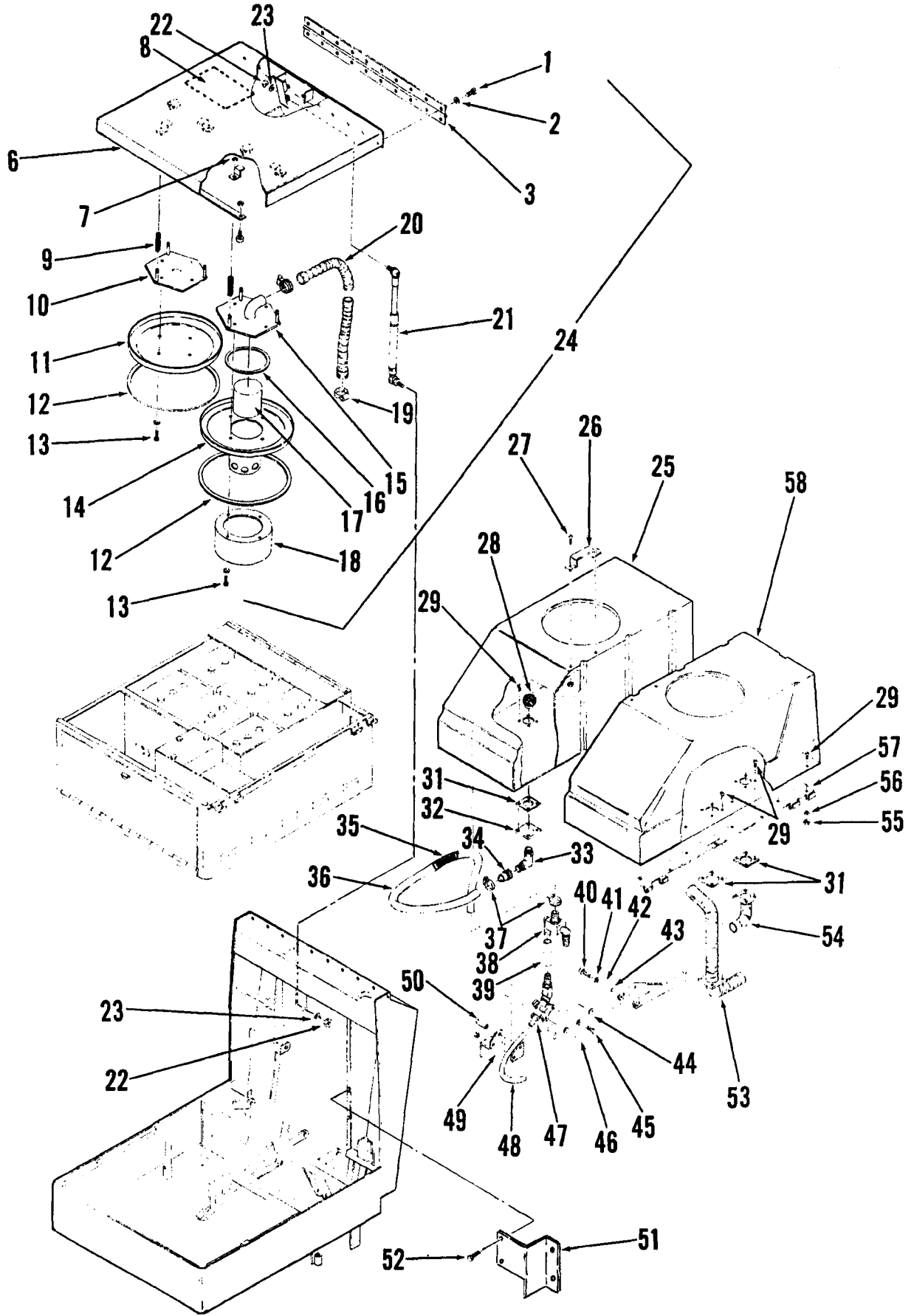
INDEX FOR FORM NUMBER 042062

<u>Description</u>	<u>Location</u>	<u>Page</u>
Brush Drive	D1	10
Caster, Control Handle & Brush Lift Linkage	C13	8
Motor, Brush Drive	D5	14
Motor, Vacuum	D6	15
Outer Body	C6	1
Skirts & Chassis	C9	4
Solution Valve, Tanks & Hood	C7	2
Squeegee	C10	5
Vacuum Motors & Battery Housing	C11	6
Wheel Drive	D3	12
Wiring Diagram	D7	16



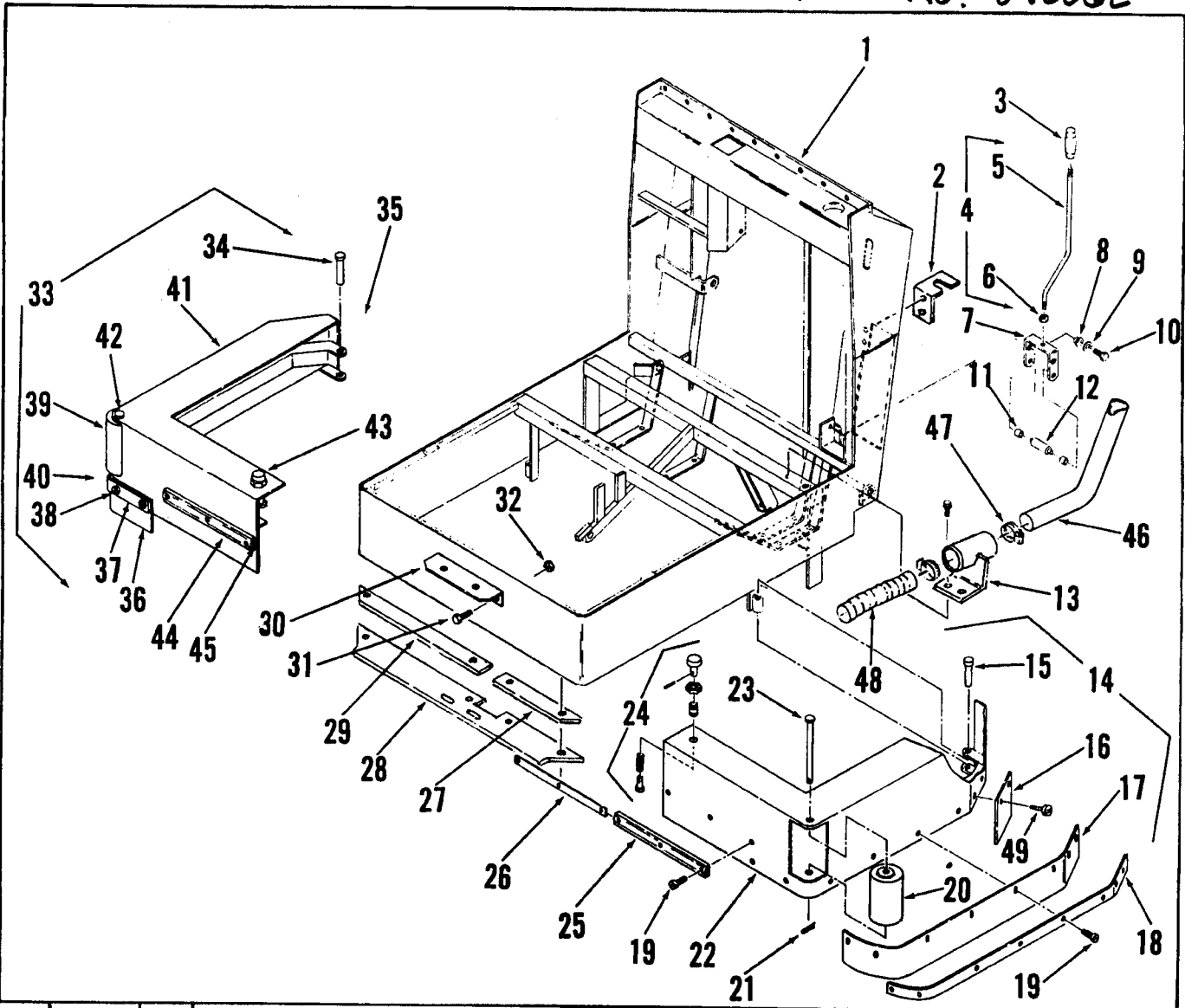
ITEM	PART NO	QTY	DESCRIPTION
1	395 175	1	HOOD ASSEMBLY
2	404 152	1	TANK ASSEMBLY, RECOVERY
3	016 557	1	DECAL, STRIPE - RECOVERY TANK
4	016 555	1	DECAL, STRIPE - SOLUTION TANK (not shown)
4	395 100	1	HOUSING, BATTERY
5		16	SCREW, PAN HD. #10-24 x 1/2
6	379 557	2	BUMPER, CHASSIS
7	379 450	1	SQUEEGEE MOUNT ASSEMBLY
8	404 050	1	SQUEEGEE ASSEMBLY
9	395 020	1	CHASSIS
10	404 155	1	SKIRT ASSEMBLY - LEFT
11	016 370	2	EMBLEM, CONVERTAMATIC
12	015 142	1	GRILL
13	016 543	1	DECAL, ADVANCE
14	404 150	1	SKIRT ASSEMBLY - RIGHT
15	016 398	1	EMBLEM, ADVANCE
16	395 150	1	DOOR ASSEMBLY, FRONT
17	404 142	1	TANK, SOLUTION
18	016 575	1	DECAL, HOOD

HOUSING ASSEMBLY

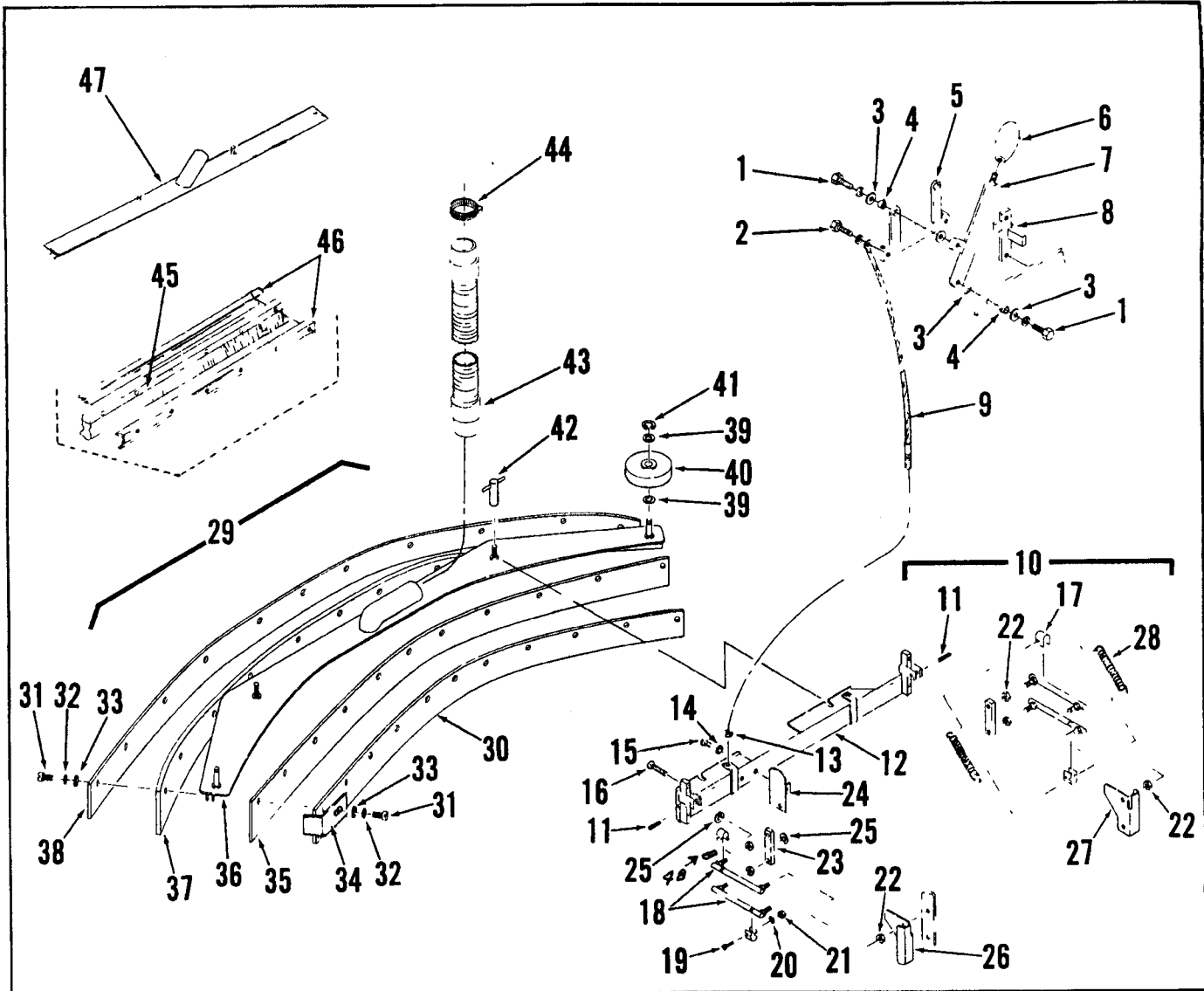


HOOD COVER & TANK ASSEMBLIES

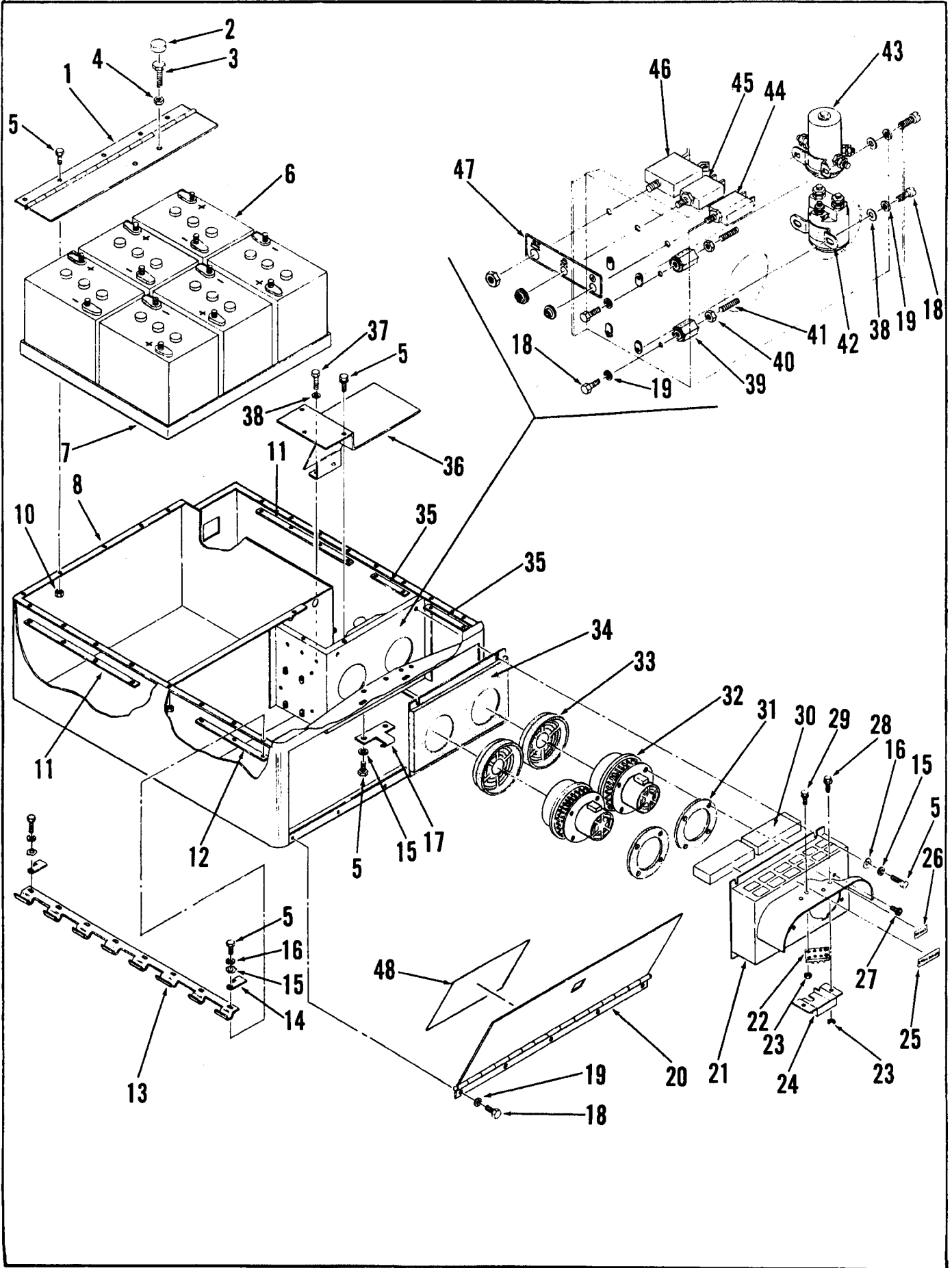
ITEM	PART NO	QTY	DESCRIPTION
1		20	SCREW, PAN HD. #10-24 x 5/16
2		20	WASHER 5/16
3	379 184	1	HINGE, HOOD
4		2	NUT, HEX 1/4-20
5	386 312	2	STOP, HOOD
6	395 178	1	HOOD
7	321 125	6	RING, RETAINING
8	016 225	1	DECAL, INSTRUCTION
9	379 170	6	SPRING
10	379 192	1	MOUNT
11	379 186	1	COVER
12	385 245	2	GASKET
13		8	SCREW, PAN HD. (BRASS) W/WASHER
14	385 237	1	COVER
15	379 197	1	MOUNT
16	385 247	1	GASKET
17	385 198	1	FLOAT
18	379 206	1	DEFLECTOR
19	329 145	2	CLAMP, HOSE
20	375 404	1	HOSE, VACUUM
21	385 238	1	CYLINDER, HOOD
22		2	NUT, HEX 5/16-18
23		2	WASHER, LOCK 5/16
24	395 175	1	HOOD COVER ASSEMBLY
25	379 119	1	TANK, SOLUTION
26	360 791	2	HANDLE
27		4	SCREW, PAN HD. 1/4-20 x 1/2
28	379 125	1	STRAINER
29		28	SCREW, RD. HD. BRASS 1/4-20 x 5/8
31	380 763	3	GASKET
32	379 202	1	PLATE, GASKET
33	379 120	1	FITTING, ELBOW
34	379 114	1	FITTING
35	245 010	2	SPRING
36	379 139	1	HOSE, PVC
37	244 969	2	CLAMP, HOSE
38	406 041	1	PIPING ASSEMBLY
39	379 105	2	TUBE, FLEXIBLE
40		5	SCREW, HEX HD. 1/4-20 x 1/2
41		5	SPRING LOCKWASHER 1/4
42		5	WASHER, FLAT 1/4
43	368 989	2	BUSHING
44	150 142	4	WASHER
45		2	SCREW, HEX HD. 1/4-20 x 3/4 W/LKW.
46		2	SCREW, HEX HD. 1/4-20 x 1/2 W/LKW. & NUT
47	390 501	1	VALVE
48	379 096	1	TUBE, FLEXIBLE - LEFT
	379 108	1	TUBE, FLEXIBLE - RIGHT
49	405 876	1	BRACKET, VALVE
50	405 920	2	STOP, NUT
51	395 210	1	BRACKET, HOSE GUARD
52		4	SCREW, HEX HD. # 10-24 x 1/2
53	380 757	1	TUBE, RECOVERY TANK
54	395 188	1	TUBE, RECOVERY TANK
55		12	NUT, HEX 1/4-20
56		16	WASHER, SHAKEPROOF 1/4
57	380 820	2	HINGE, TANK
58	380 739	1	TANK, RECOVERY TSB 520,6-7
59	380 828	2	STRAP, SUPPORT (NOT SHOWN)
60	745 876	4	O-RING (NOT SHOWN)
61		4	SCREW, RD. HD. BRASS 1/4-20 x 7/8 (NOT SHOWN)
62	380 834	2	GASKET (NOT SHOWN)
	380 800	1	RECOVERY TANK ASSEMBLY, COMPLETE
	379 091	1	SOLUTION TANK ASSEMBLY, COMPLETE



ITEM	PART NO	QTY	DESCRIPTION	ITEM	PART NO	QTY	DESCRIPTION
1	395 020	1	CHASSIS	27	402 184	1	PLATE, SPACER - LEFT
2	395 190	1	LATCH, VALVE LEVER	28	402 141	1	PLATE, LOCKING
3	471 193	1	GRIP	29	402 168	1	PLATE, SPACER - RIGHT
4	372 660	1	VALVE LEVER ASSEMBLY	30	404 210	1	PLATE, ANGLE
5	372 956	1	LEVER, DRAIN VALVE	31		2	SCREW, HEX HD. 1/4-28 x 3/4
6	372 958	1	NUT, HEX 5/16-18	32		2	NUT, HEX 1/4-28
7	372 652	1	PIVOT, LEVER	33	404 150	1	SKIRT ASSEMBLY, RIGHT C/O
8	368 989	2	BUSHING	34	360 147	1	PIN
9		2	WASHER, LOCK 1/4	35	404 215	1	BLADE, RUBBER (not shown)
10		2	SCREW, HEX HD. 1/4-20 x 5/8	36	400 289	1	GUARD, RUBBER
11	372 624	2	BEARING	37	404 220	1	STRAP
12	372 650	1	ROLLER, DRAIN VALVE	38	381 351	1	SCREW, BLACK #10-24
13	395 202	1	ANCHOR	39	372 740	1	ROLLER, BUMPER
14	404 155	1	SKIRT ASSEMBLY, LEFT C/O	40		1	PIN, COTER (not shown)
15	360 147	1	PIN	41	404 195	1	SKIRT, BUMPER
16	404 215	1	BLADE, RUBBER	42	372 882	1	PIN
17	400 289	1	GUARD, RUBBER	43	365 548	1	PIN ASSEMBLY TSB 600-G2
18	404 220	1	STRAP	44	362 085	1	BUMPER
19	381 351	11	SCREW, BLACK #10-24	45	362 107	1	STRAP
20	372 740	1	ROLLER, BUMPER	46	380 712	1	HOSE, PINCH-OFF
21		1	PIN, COTER .12 x 1.00	47	329 145	1	CLAMP, HOSE
22	404 165	1	SKIRT, BUMPER	48	385 166	1	HOSE, VAC 1.50 x 27"
23	372 882	1	PIN	49	404 222	4	SCREW, #10-24 X 5/8 BLK
24	365 548	1	PIN ASSEMBLY, LOCKING				
25	362 085	1	BUMPER				
26	362 107	1	STRAP				

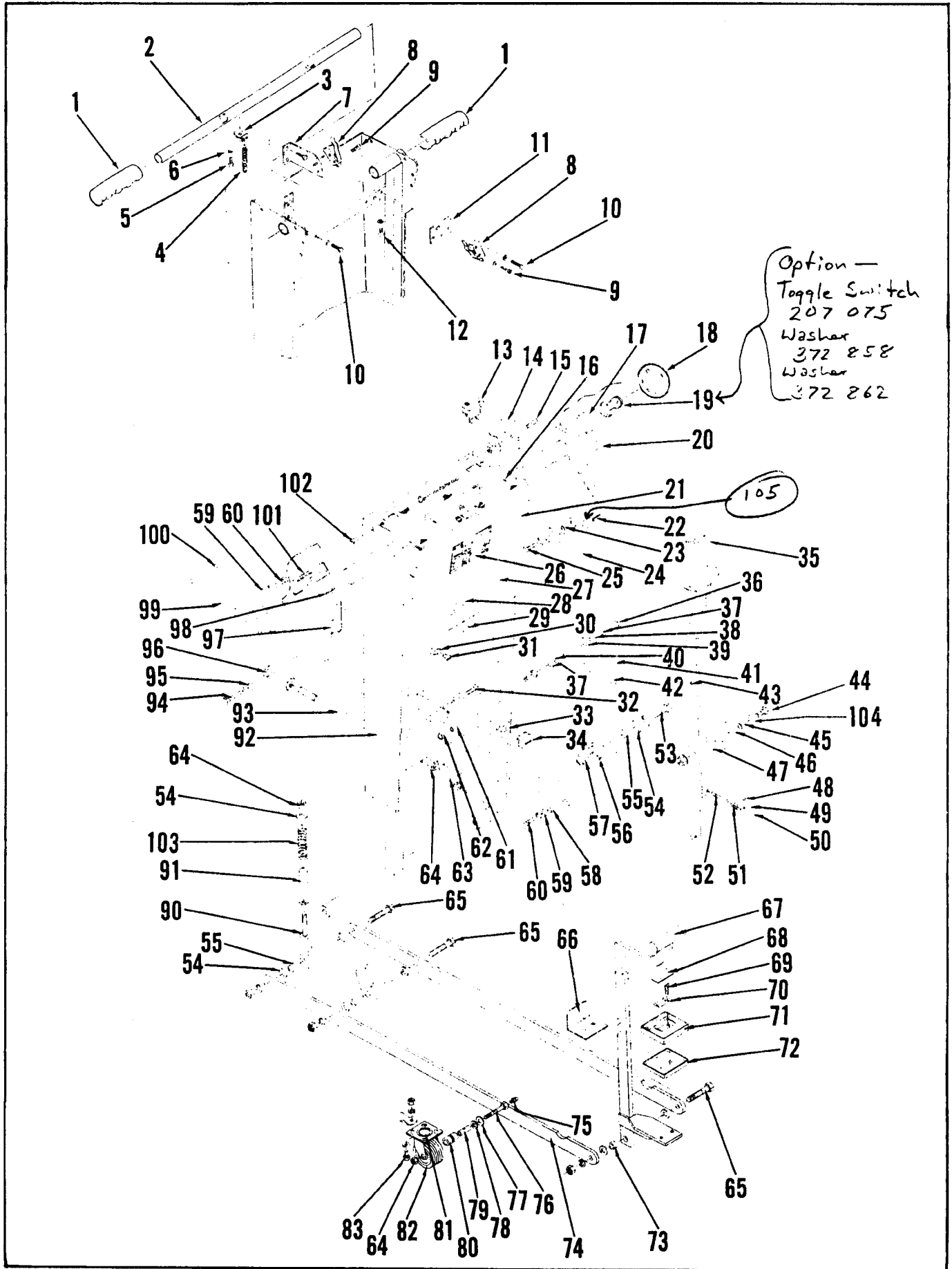


ITEM	PART NO	QTY	DESCRIPTION	ITEM	PART NO	QTY	DESCRIPTION
1		4	SCREW, HEX HD. 1/4-20 X 3/4 w/LKW	29	404 050	1	SQUEEGEE ASSEMBLY C/O
2		2	SCREW, HEX HD. 1/4-20 X 1/2	30	404 082	1	STRIP, PLASTIC
3	151 114	8	WASHER	31	404 082	1	STRIP, PLASTIC
4	379 298	4	BUSHING	32	209 485	22	SCREW, S.S. #10-24 X 1/2
5	379 252	1	YOKE	33		22	WASHER, SHAKEPROOF #10
6	364 527	1	KNOB	34		22	WASHER, #10 SAE
7	379 247	1	HANDLE, SQUEEGEE LIFT	35	377 766	2	ANGLE
8	395 352	1	ARM, SQUEEGEE LIFT	36	404 072	1	BLADE, NEOPRENE
9	390 774	1	CABLE	37	404 056	1	TOOL, PICK-UP
10	395 500	1	SQUEEGEE MOUNT ASSEMBLY C/O	38	404 074	1	BLADE
11		2	PIN, ROLL 1/4 X 7/8	39	404 062	1	STRAP, OUTER
12	379 430	1	MOUNT, TOOL	40	371 009	4	WASHER
13		2	NUT, HEX 1/4-20	41	324 499	2	WHEEL 3.00 X .781
14		2	WASHER, SHAKEPROOF #10	42	157 066	2	RING, RETAINING 3/8 EXT.
15		2	SCREW, PAN HD. #10-24 X 3/8	43	370 711	2	NUT, WING 5/16-18
16		4	SCREW, RD. HD. 1/4-20 X 1 1/2	44	379 208	1	HOSE ASSEMBLY 1 1/2 X 46"
17	395 534	4	COLLAR	45	329 145	1	CLAMP, HOSE
18	365 289	4	ROD END	46	400 446	1	BRUSH 38"
19		4	SCREW, PAN HD. #4-40 X 7/8	47	400 448	2	PLATE 38"
20		4	WASHER, SHAKEPROOF #4	48	400 598	1	TOOL
21		4	NUT, HEX #4	48	320595	8	BUSHING
22		8	NUT, JAM 5/16-24				
23	395 532	2	BAR				
24	395 502	1	BRACKET				
25	150 142	4	WASHER .265 X .75 X .03				
26	395 506	1	SHIELD, RIGHT				
27	395 508	1	SHIELD, LEFT				
28	395 528	4	SPRING, EXTENSION				



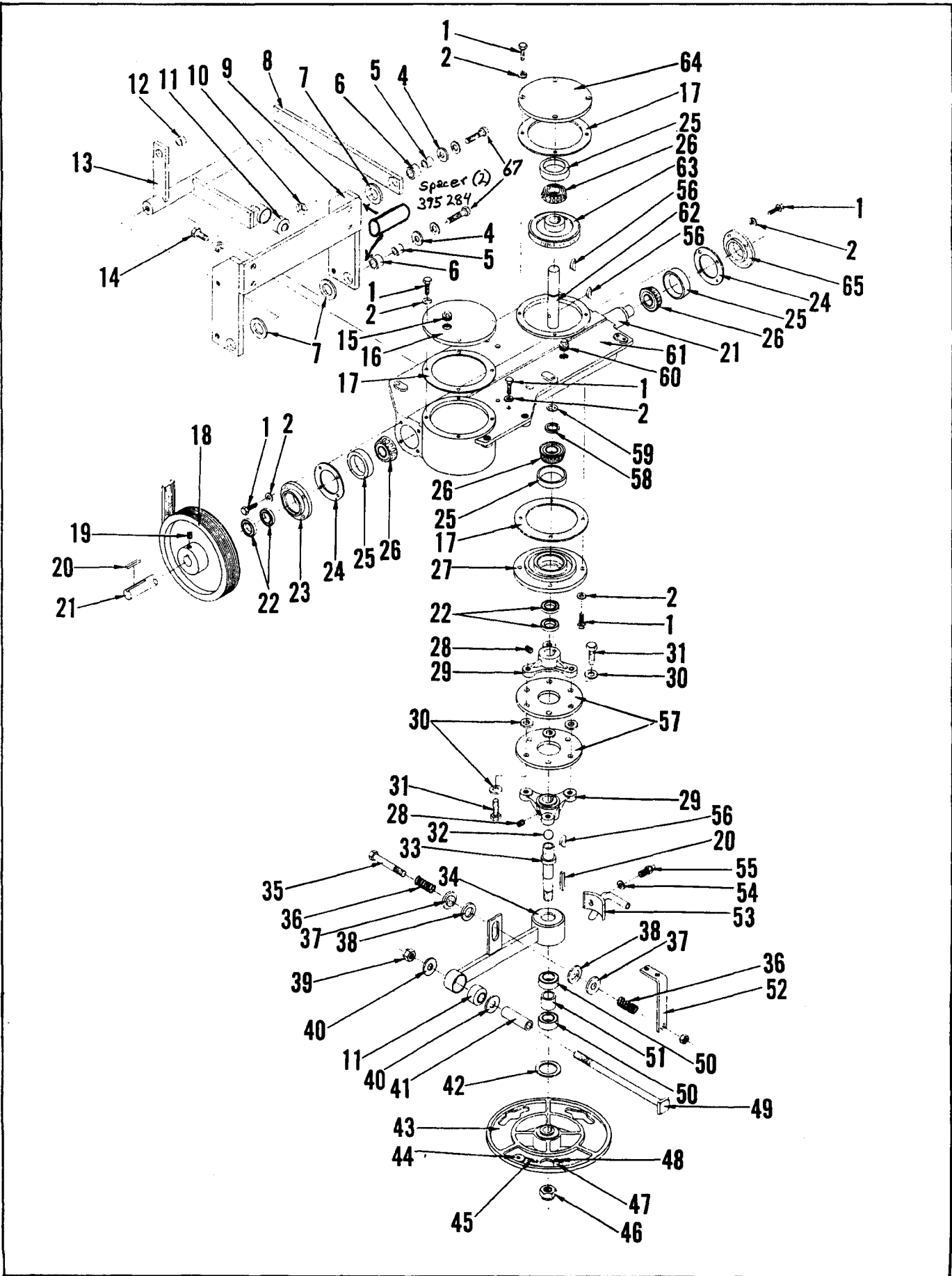
BATTERY HOUSING & VACUUM FAN ASSEMBLY

ITEM	PART NO	QTY	DESCRIPTION
1	395 142	1	COVER, BATTERY
2	401 788	4	CAP, LEVELER - SNAP ON
3	401 783	4	LEVELER, TANK
4		4	NUT, HEX 5/16-18
5		32	SCREW, PAN HD. #10-24 x 5/8
6	372 730	6	BATTERY 6 VOLT 220 A.H. (OPTIONAL)
7	395 136	1	TRAY, BATTERY
8	395 100	1	HOUSING, BATTERY REF TSB 530, G-6
9	375 334	2	BUSHING (NOT SHOWN)
10		6	NUT, HEX #10-24
11	385 414	2	PLATE, NUT
12	386 286	1	PLATE, NUT
13	381 070	2	HINGE
14	381 053	4	CLIP
15		22	WASHER, SHAKEPROOF #10
16		22	WASHER, FLAT #10
17	372 700	1	LATCH, DOOR
18		11	SCREW, HEX HD. 1/4-20 x 1/2
19		11	WASHER, SHAKEPROOF 1/4
20	395 152	1	DOOR, ACCESS
21	395 262	1	HOUSING
22	380 548	1	BLOCK, TERMINAL
23		4	NUT, HEX #10-24
24	395 274	1	COVER
25	016 546	1	DECAL, "THIS END UP"
26	016 332	1	DECAL, "36 VOLT"
27		8	SCREW, PAN HD. #10-16 x 5/8 SELF-TAP
28		2	SCREW, HEX WASHER HD. #10-24 x 1/2 TAP-TITE
29		2	SCREW, HEX WASHER HD. #10-24 x 5/8 TAP-TITE
30	380 922	2	FILTER
31	209 325	2	GASKET
32	202 321	2	MOTOR, VAC 36 VOLT
33	384 898	2	FILTER
34	395 280	1	GASKET
35	395 206	1	PLATE, NUT
36	395 196	1	GUARD, BELT
37		2	SCREW, HEX HD. 1/4-20 x 2"
38		2	WASHER, FLAT 1/4
39	469 858	2	STAND-OFF, INSULATED
40		2	NUT, HEX 1/4-20
41	150 274	2	STUD 1/4-20 x 7/8
42	395 450	1	CONTACTOR 36V
43	395 452	1	SOLENOID 36V
44	454 538	1	CIRCUIT BREAKER 15A
45	395 454	1	CIRCUIT BREAKER 20A TSB 375, G-11
46	454 429	1	CIRCUIT BREAKER 70A
47	016 601	1	DECAL, CIRCUIT BREAKER
48	016 604	1	DECAL, WIRING



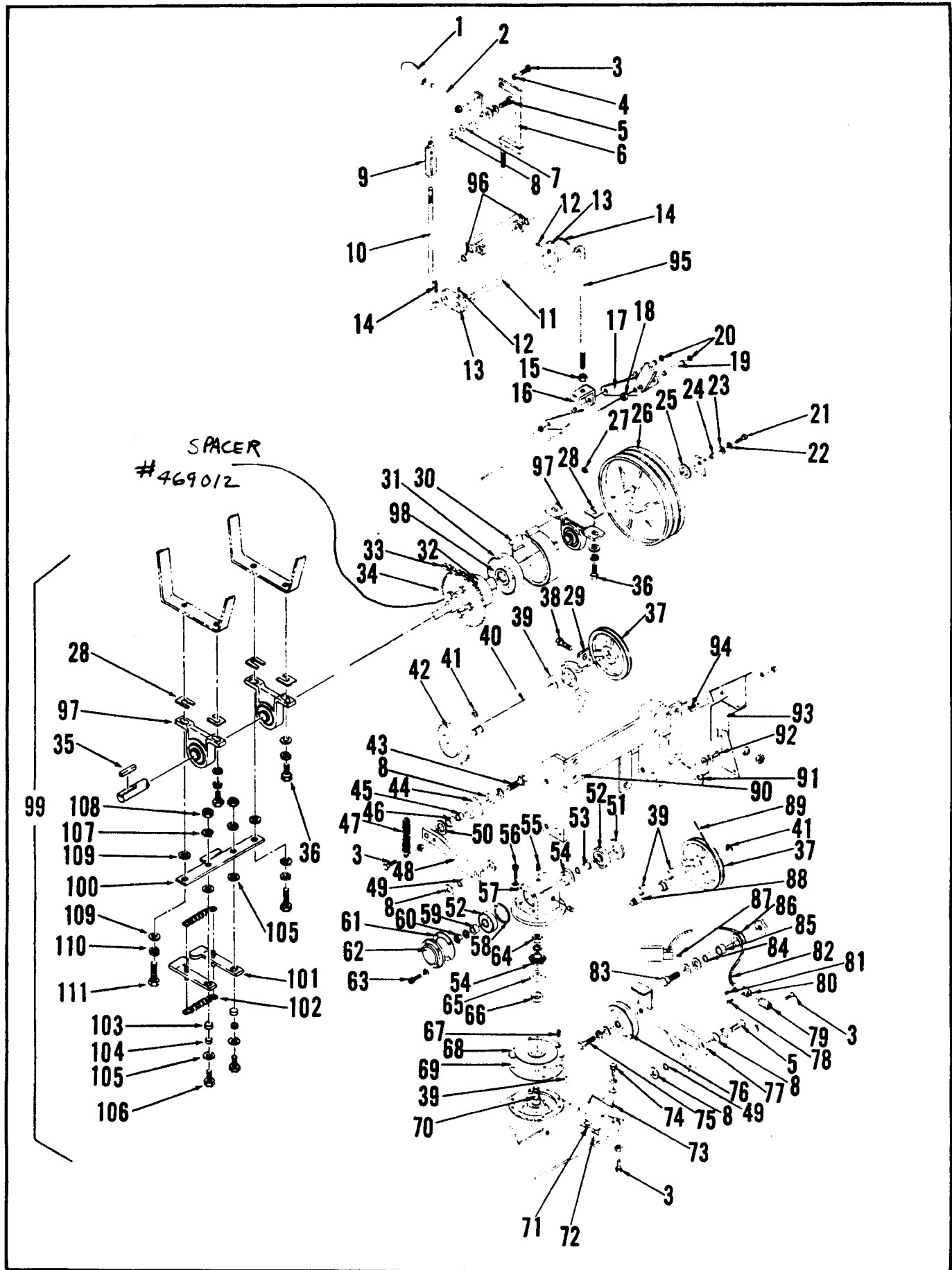
CONTROL HANDLE ASSEMBLY

ITEM	PART NO	QTY	DESCRIPTION	ITEM	PART NO	QTY	DESCRIPTION
1	514 085	2	GRIP, HANDLE	71	365 086	1	PAD, RUBBER
2	395 358	1	HANDLE, TUBE	72	365 087	1	CUP, PEDAL
3	395 364	1	TAB, SPRING MOUNTING	73	365 030	1	BUSHING
4	328 790	2	SPRING	74	378 590	2	ARM
5		1	SCREW, HEX HD. #8-32 x 1/2	75	101 737	3	GREASE FITTING
6		1	WASHER, LOCK #8	76	365 645	1	BOLT, AXLE
7	395 360	1	BRACKET, SWITCH MOUNTING	77	365 750	2	WASHER
8	171 225	2	SWITCH, SNAP SPST N.C.	78	365 726	2	SEAL
9		4	SCREW, PAN HD. #6-32 x 1" W/LKW & NUT	79	365 734	1	BUSHING, SLEEVE
10		5	SCREW, RD. HD. #10-32 x 1" W/LKW	80	365 718	1	BEARING, ROLLER
11	395 356	1	PLATE, SWITCH MOUNTING	81	365 661	1	FORK, CASTER
12	234079	1	SCREW, HEX HD. 5/16-18 x 1" W/LKW	82	365 629	1	CASTER ASSEMBLY
13	467 410	2	LIGHT, INDICATOR		365 742	1	WHEEL W/HARDWARE
14	395 462	1	CONNECTOR ASSEMBLY, DUAL	83		4	SCREW, HEX HD. 3/8-16 x 1" WITH LOCKWASHER, WASHER & NUT
15		2	SCREW, RD. HD. 1/4-20 x 1 1/4 W/WHIZ NUT				
16	016 602	1	DECAL, CONTROL				
17	380 330	1	METER, VOLT				
18	023 330	1	DECAL, MAIN SWITCH				
19	441 538	1	SWITCH, KEY SPST				
20	055 672	1	DECAL, CHARGER				
21	395 334	1	PANEL, CONTROL				
22	157 880	2	PIN, SPRING				
23	379 298	2	BUSHING	90	379 786	1	ARM
24	364 506	2	HANDLE	91	372 110	1	SPACER
25		2	SCREW, HEX HD. 1/4-20 x 3/4 W/LKW & FLAT WASH.	92	395 310	1	HANDLE (STD. "B" MODEL ONLY)
26	025 498	1	NAME PLATE		395 305	1	HANDLE (DRIVE MODEL)
27	379 874	1	PANEL	93	378 461	1	ROD
28	054 195	1	DECAL, BRUSH PRESSURE	94		2	SCREW, HEX HD. 3/8-16 x 1 3/8 W/LKW
29	055 675	1	DECAL, PRESSURE	95	366 625	2	BUSHING, SHOULDER
30	300 152	1	CLAMP, CORD	96	366 609	1	YOKE, LEFT HAND
31		1	SCREW, PAN HD. #10-24 x 1/4	97	055 676	1	DECAL, BRAKE (DRIVE MODFL ONLY)
32		2	SCRFW, PAN HD. #10-24 x 1" W/LKW	98	055 673	1	DECAL, BRAKE (DRIVE MODEL ONLY)
33	390 778	4	GUIDE, CABLE	99	405 967	1	LEVER
34	159 749	4	PULLEY, CABLE	100	405 949	1	LEVER, INNER VALVE
35	015 778	1	DECAL, WATER FLOW	101	015 194	1	DECAL, WARNING
36		1	SCREW, HEX HD. 1/4-20 x 3/4 W/LKW & NUT	102		8	SCREW, PAN HD. SELF-TAP #6-32 x 1/2
37	151 114	2	WASHER	103	372 129	1	SPRING
38	368 997	1	BUSHING	104	398 056	1	WASHER, SPRING
39	151 068	1	WASHER, FIBER	105	380 648	1	Spacer
40	151 041	1	WASHER, BOWED				
41	015 576	1	DECAL, HANDLE RELEASE				
42	364 502	1	LATCH, HANDLE				
43	405 907	1	LEVER, WATER FLOW				
44		1	SCREW, HEX HD. 1/2-13 x 1 1/4 W/LKW & NUT				
45	360 627	1	BUSHING				
46	370 878	1	BEARING, SLEEVE				
47	367 184	1	WASHER, THRUST				
48		1	PIN, SPRING 1/8 x 7/8				
49	405 913	1	KNOB, SOLUTION				
50	025 432	1	DECAL, FLOW CONTROL				
51	405 911	1	SPRING				
52	405 909	1	SCREW, STUD				
53		4	SCREW, HEX HD. 1/2-13 x 1 1/4 W/LKW				
54	367 214	11	WASHER				
55	367 206	11	BUSHING				
56	367 192	4	WASHER				
57	367 168	4	BEARING				
58	368 989	1	BUSHING				
59	150 142	3	WASHER				
60		3	SCREW, HEX HD. 1/4-20 x 1/2 W/SPRING WASH.				
61	365 089	2	BUSHING				
62	365 088	2	BUSHING				
63	366 617	1	YOKE, RIGHT HAND				
64		4	NUT, HEX 1/2-13				
65		3	SCREW, HEX HD. 1/2-13 x 1 3/4 W/LKW & NUT				
66	380 255	1	FOOT GUARD				
67	379 795	1	PEDAL				
68	016 281	1	DECAL, BRUSH				
69		2	SCREW, FLAT HD. 1/4-20 x 1"				
70	365 081	1	PLATE				



GEAR CASE ASSEMBLY

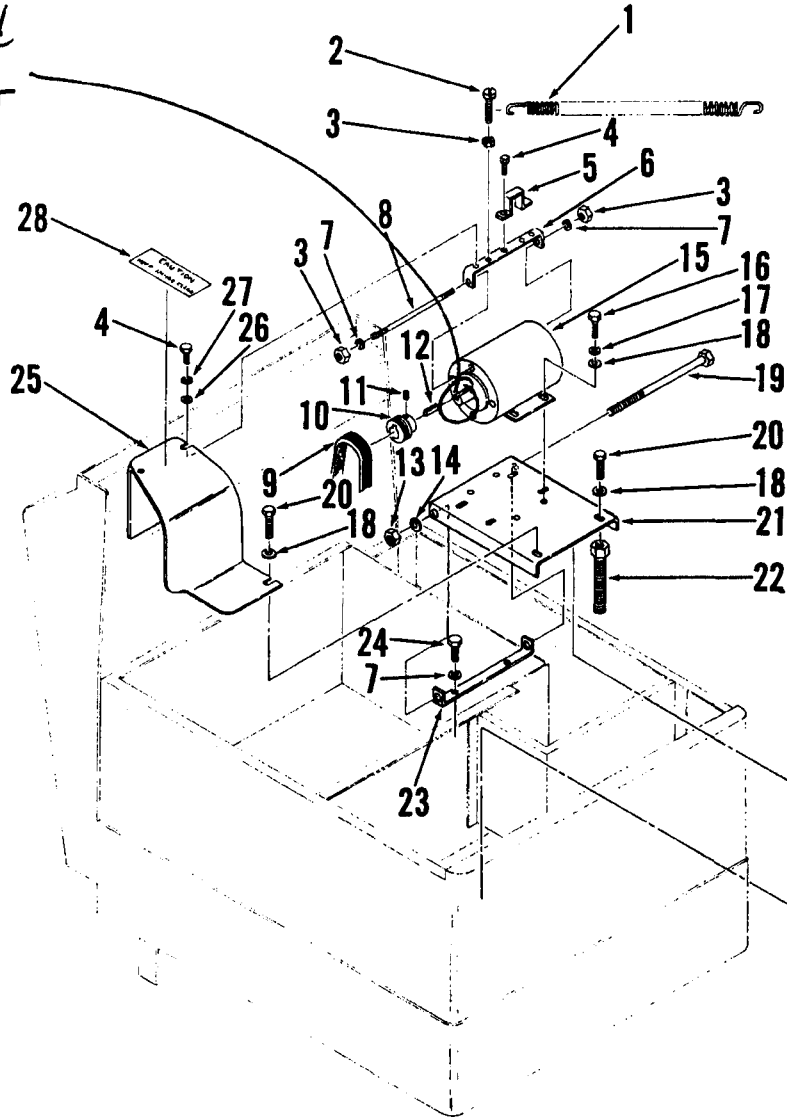
Item	Part No.	Qty	Description	Item	Part No.	Qty	Description
1	366285	24	Screw (20 on Drive Model)	35		2	Screw, Hex Hd. 3/8-16 x 2-3/4 w/nut
2		24	Lockwasher, 1/4				
3		8	Screw, Hex Hd. 1/2-13 x 1-1/4	36	171177	4	Spring, Stabilizer
4	367214	10	Washer	37	440760	4	Washer, Stabilizer
5	367206	10	Bushing	38	367184	4	Washer, Thrust
6	367168	10	Bearing	39		1	Nut, Flex-Loc 1/2-13
7	367192	10	Spacer	40		6	Washer, Wrought
8	402249	4	Arm, Gear Box	41	378429	2	Spacer, Pressure Arm
9	402346	1	Bracket, Gear Box	42	378399	2	Ring, Retaining
10	441236	4	Locknut	43	378690	2	Holder, Brush
11	114545	3	Bushing, Rubber	44	151114	2	Washer
12	366633	1	Bearing	45	366463	2	Spring, Retaining
13	378410	1	Lever, Pressure Arm	46	378348	2	Nut, Flex-Loc
14		4	Screw, Hex Hd. 3/8-16 x 1	47	366455	2	Stop, Brush Holder
15	366269	1	Plug, Vent	48		6	Screw, Pan Hd. 10-24 x 5/16
16	378186	1	Cap, Top	49	378445	1	Bolt, Tie
17	366684	A.R.	Shim, Red .002" Thick	50	378380	4	Bearing, Ball
	366692	A.R.	Shim, Blue .005" Thick	51	378372	2	Spacer, Bearing
	366706	A.R.	Shim, Pink .015" Thick	52	378437	2	Bracket, Stabilizer
18	379735	1	Sheave, Wormshaft	53	369144	2	Pipe, Water Feed
19		2	Screw, Socket Set 5/16-18 x 3/8	54		2	Washer, Shakeproof 1/4
20	378704	3	Key	55	369128	2	Fitting, Grease
21	400971	1	Wormshaft	56	378291	6	Key
22	378275	6	Seal, Grease	58	378240	2	Spacer, Shaft
23	378135	1	Cap, Front	59	378283	2	Ring, Retaining
24	378488	A.R.	Shim, Red .002" Thick	60	366277	2	Plug, Drain
	378496	A.R.	Shim, Blue .005" Thick	61	401021	1	Gear Case Assy, Drive TSB 615, G-1
	378518	A.R.	Shim, Pink .015" Thick		400963	1	Gear Case
25	378259	6	Cup, Bearing	62	378232	2	Shaft, Worm Gear (1 on Drive Model)
26	378267	6	Bearing, Roller				
27	378216	2	Cap, Bottom	63	378224	2	Gear, Worm
28		4	Screw, Socket Set 3/8-16 x 1/2	64	378194	1	Cap, Top
29	378313	4	Universal, Spider	65	378151	1	Cap, Rear
30		24	Washer, 3/8 S.A.E.	66	395284	2	Spacer
31	366447	12	Screw	67		2	Screw, Hex Hd 1/2-13 x 3
32	366404	2	Ball, 5/8				
33	378321	2	Shaft, Brush Holder				
34	401323	2	Pressure Arm Assembly				
	401226	2	Pressure Arm				



TRACTION DRIVE ASSEMBLY

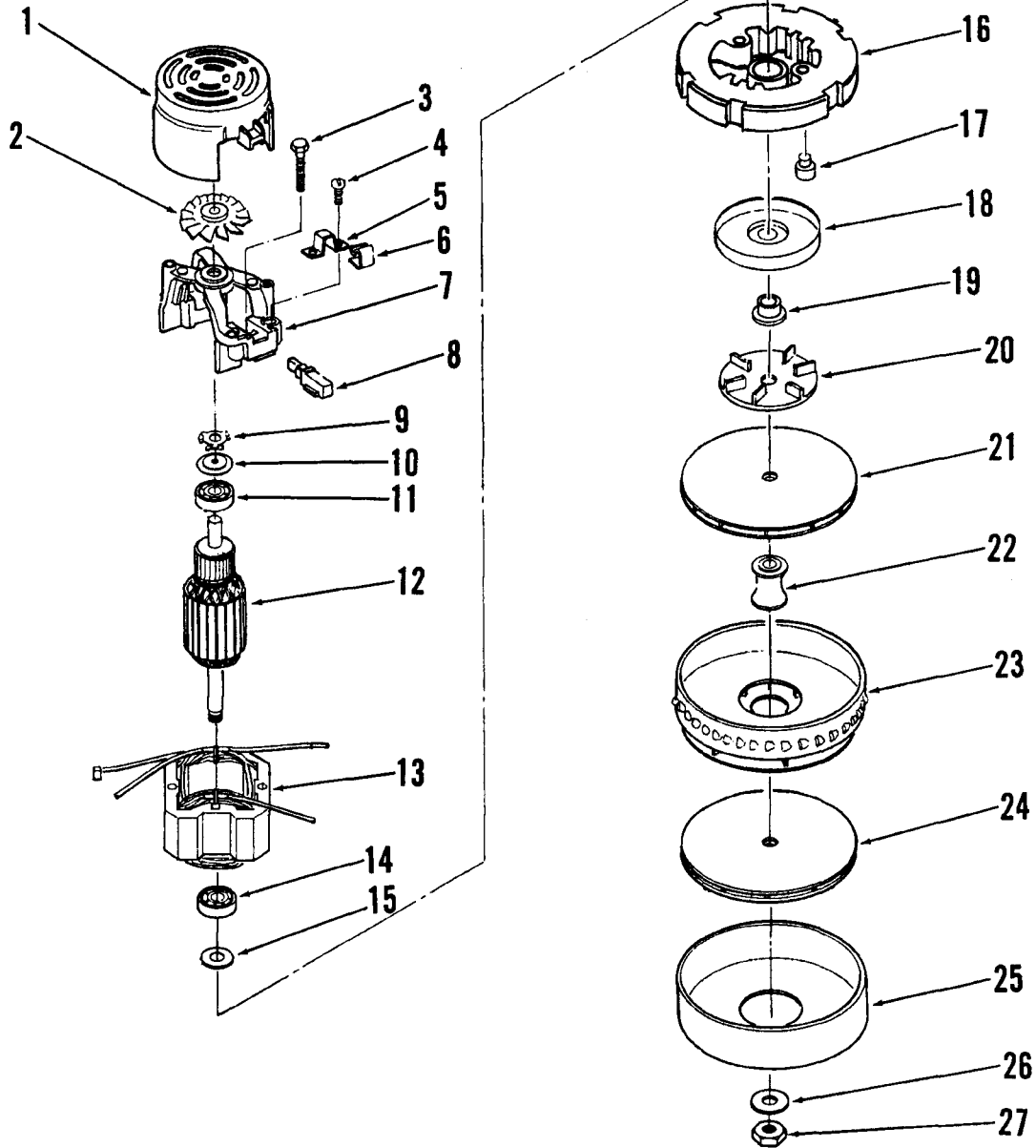
ITEM	PART NO	QTY	DESCRIPTION	ITEM	PART NO	QTY	DESCRIPTION
1	364 527	1	KNOB	70	444 650	1	SHAFT, WORM GEAR
2	402 844	1	HANDLE, BRAKE	71		2	SCREW, HEX HD. 3/8-16 x 1 3/8 W/ LKW.
3		5	SCREW, HEX HD. 1/4-20 x 3/4 W/NUT	72	390 704	1	BLOCK, MOUNTING
4	368 997	1	BUSHING	73	390 828	1	GUIDE, BELT FRONT
5		1	SCREW, HEX HD. 1/2-13 x 1 W/LKW.	74		2	SCREW, HEX HD. 1/4-20 x 1/2 W/WASHER & LKW.
6	402 935	1	LINKAGE, BRAKE	75		1	SCREW, HEX HD. 3/8-16 x 1 3/8 W/WASHER & LKW.
7	365 030	1	BUSHING	76	390 682	1	SHEAVE, FLAT
8	367 214	7	WASHER	77	390 720	1	ARM, BELT TIGHTENER
9	206 814	1	TURNBUCKLE	78		1	SCREW, OVAL HD. 6-32 x 1/2
10	402 914	1	ROD, UPPER	79	112 054	1	SPRING
11	402 919	1	ROD, BRAKE	80	150 290	1	COUPLER, CABLE
12		2	SCREW, SOCKET SET 1/4-20 x 1/4	81		1	SCREW, SOCKET SET 8-32 x 1/4
13	402 922	2	PLATE	82	390 766	1	CABLE
14		2	PIN, COTTER 1/16 x 3/8	83		1	SCREW, HEX HD. 7/16-14 x 1 W/WASHER & LKW.
15		1	NUT, JAM 1/4-20	84	159 794	1	BUSHING
16	402 971	1	BRACKET	85	159 778	1	BEARING
17	402 990	2	ARM	86	159 743	1	PULLEY
18	328 022	2	BUSHING	87		1	SCREW, SOCKET SET 1/4-20 x 3/8
19	402 995	3	PIN	88	391 042	1	SHAFT, MITER GEAR
20	321 427	6	RING, SNAP	89	390 607	1	BELT, DRIVE <i>T S B 514, G-4</i>
21	440 329	2	SCREW	90	390 275	1	BRACKET, GEAR BOX 32"
22		2	LOCKWASHER, 1/4	91	402 346	1	BRACKET, GEAR BOX 38"
23		2	WASHER, 1/4	92	390 887	1	GUIDE, BELT BOTTOM
24	368 989	2	BUSHING	93		1	SCREW, PAN HD. 1/4-20 x 1/2 W/WASHER & LKW.
25	367 192	2	WASHER	94	390 623	1	GUIDE, BELT
26	395 233	2	WHEEL, 8.00 x 2.50	95	402 910	2	SCREW, PAN HD. 10-24 x 1/2 W/LKW. & NUT
27		4	SCREW, SOCKET SET 5/16-18 x 5/8	96	370 754	1	ROD, LOWER
28	390 925	A.R.	SHIM, PILLOW BLOCK	97	444 308	4	BEARING, SHEAVE
29	390 917	2	PILLOW BLOCK	98	469 012	1	PILLOW BLOCK
30	402 745	1	STRAP, BRAKE	99	395 536	1	SPACER, BRAKE
31	469 026	1	DRUM, BRAKE	100	395 510	1	SOUEEGEE CENTERING ASSEMBLY
32	395 250	1	DIFFERENTIAL	101	395 516	2	BAR WELDMENT
33	403 172	1	CHAIN, ROLLER	102	395 530	2	ARM WELDMENT
	445 096	1	LINK, CONNECTOR (For Replacement)	103	368 970	2	SPRING, EXT.
34	395 252	1	SPROCKET, DIFFERENTIAL	104	453 849	2	BEARING, OILITE
35	340 863	2	KEY	105	150 142	4	BUSHING
36		6	SCREW, HEX HD. 3/8-16 x 3/4 W/LKW. & WASHER	106		2	WASHER
37	344 044	2	PULLEY, GEAR BOX	107		2	SCREW, HEX HD. 1/4-20 x 1
38		4	SCREW, HEX HD. 3/8-16 x 1 W/LKW. & NUT	108		2	LOCKWASHER, 1/4
39	154 083	5	KEY, WOODRUFF	109		2	NUT, HEX 1/4-20
40	391 123	1	SHAFT, 32"	110		4	WASHER, FLAT 3/8
	403 199	1	SHAFT, 38"	111		2	LOCKWASHER, 3/8
41	478 775	3	RING, RETAINING			2	BOLT, HEX 3/8-16 x 3/4
42	391 182	1	SPROCKET				
43		1	SCREW, HEX HD. 1/2-13 x 1 3/4 W/LKW.				
44	390 992	1	SPROCKET, IDLER				
45	367 206	1	BUSHING				
46	367 168	1	BEARING				
47	370 746	1	SPRING				
48	390 933	1	ARM, IDLER SPROCKET				
49	360 627	2	BUSHING				
50	367 184	1	WASHER, THRUST				
51	444 723	1	SEAL, GREASE				
52	108 537	2	BEARING, BALL				
53	444 707	1	SPACER, SLEEVE				
54	109 088	2	GEAR, BEVEL				
55	366 269	2	PLUG, VENT				
56		4	SCREW, SOCKET HD. 1/4-20 x 1 W/LKW.				
57	444 634	1	HOUSING, GEAR BOX				
58	444 731	1	RING, RETAINING				
59	444 677	1	SPACER				
60		1	NUT, HEX JAM 9/16-18 W/SHAKEPROOF LKW.				
61	366 730	1	SHIM, PINK .015" Thick				
62	444 715	1	CAP, END				
63		4	SCREW, SOCKET HD. 1/4-20 x 5/8 W/SHAKEPROOF LKW.				
64		1	NUT, HEX JAM 1/2-20 W/SHAKEPROOF LKW.				
65	444 839	1	SHIM, WASHER				
66	378 275	1	SEAL, GREASE				
67		2	SCREW, BUTTON HD. SOCKET CAP 1/4-20 x 1/2				
68	444 693	1	CAP, BOTTOM				
69	366 684	A.R.	SHIM, RED .002" Thick				
	366 692	A.R.	SHIM, BLUE .005" Thick				
	366 706	A.R.	SHIM, PINK .015" Thick				

7/8 ϕ
SHAFT



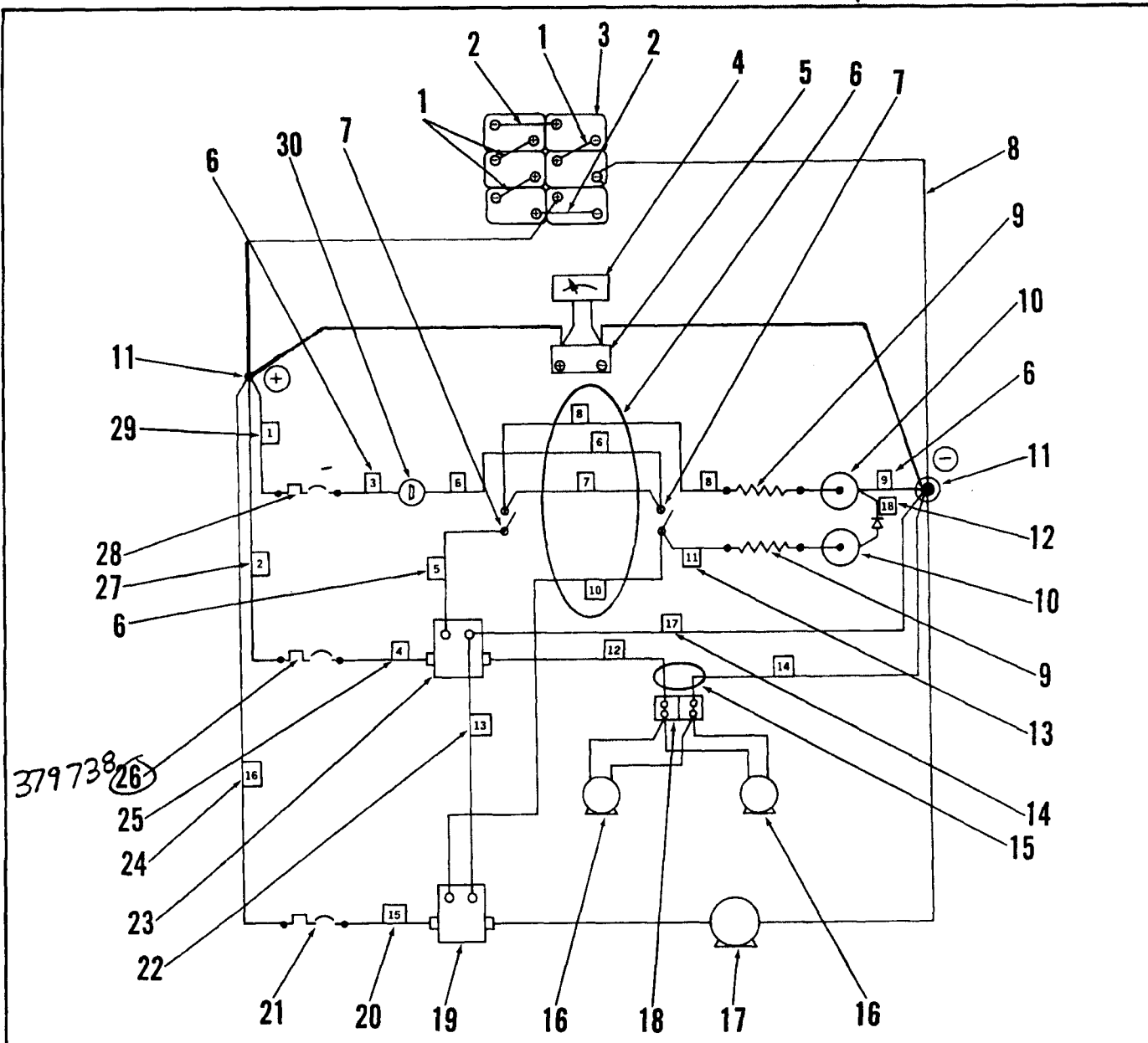
MOTOR
BRUSHES
448729
BRUSH
SPRINGS
454492

ITEM	PART NO	QTY	DESCRIPTION	ITEM	PART NO	QTY	DESCRIPTION
1	371 114	1	SPRING	22	378 631	2	SCREW, ADJUSTING
2		1	SCREW, RD. HD. 1/4-20 x 1 1/2	23	395 286	1	PLATE, MOUNTING
3		3	NUT, HEX 1/4-20	24		2	SCREW, HEX HD. 1/4-20 x 3/4
4		3	SCREW, HEX HD. 1/4-20 x 1/4	25	395 194	2	GUARD, BELT
5	379 813	1	BRACKET	26		1	WASHER, FLAT 1/4
6	372 235	1	BRACKET, MOTOR	27		1	WASHER, SHAKEPROOF 1/4
7		4	WASHER, LOCK 1/4	28	030 080	1	DECAL, "KEEP HANDS CLEAR"
8	379 811	1	STUD				
9	378 853	1	BELT, POLY-V 32"				
	378 852	1	BELT, POLY-V 38"				
10	379 730	1	SHEAVE 32"				
	379 736	1	SHEAVE 38" TSB 372, G-12				
11		2	SCREW, SOC. SET 5/16-18 x 3/8				
12	378 704	1	KEY, SQUARE				
13		1	NUT, HEX 3/8-16				
14		1	WASHER, LOCK 3/8				
15	454 454	1	MOTOR, 36V, 2.25HP				
16		4	SCREW, HEX HD. 5/16-18 x 3/4 W/NUT				
17		4	WASHER, LOCK 5/16				
18		4	WASHER, FLAT 5/16				
19	378 692	1	BOLT				
20		2	SCREW, HEX HD. 5/16-18 x 5/8 W/LKW.				
21	378 666	1	BRACKET, MOTOR MOUNTING				



ITEM	PART NO	QTY	DESCRIPTION	ITEM	PART NO	QTY	DESCRIPTION
1	208 110	1	HOUSING	22	203 516	1	SPACER
2	203 591	1	FAN	23	203 394	1	FAN, STATIONARY
3	372 574	2	SCREW	24	372 588	1	FAN, ROTATING
4	372 570	4	SCREW	25	203 408	1	SHELL
5	207 285	2	CLAMP	26	203 432	1	WASHER
6	202 302	2	CLIP	27	203 440	1	NUT
7	207 234	1	BRACKET, COMMUTATOR END				
8	372 572	2	BRUSH				
9	202 843	1	SPRING, LOAD				
10	249 735	1	DISC				
11	203 587	1	BEARING				
12	372 576	1	ARMATURE				
13	208 248	1	FIELD				
14	228 051	1	BEARING				
15	203 461	1	WASHER				
16	372 578	1	BRACKET, FAN END				
17	372 580	1	VALVE, CHECK				
18	372 582	1	SHELL, AIR SEAL				
19	372 584	1	SPACER				
20	372 586	1	FAN				
21	372 588	1	FAN, ROTATING				

VACUUM MOTOR ASSEMBLY



ITEM	PART NO	QTY	DESCRIPTION	ITEM	PART NO	QTY	DESCRIPTION
1	363 928	3	CABLE ASSEMBLY, BATTERY 4 x 10	24	395 420	1	CABLE ASSEMBLY #6 x 6.0
2	363 936	2	CABLE ASSEMBLY, BATTERY 4 x 15	25	395 418	1	WIRE ASSEMBLY #14 x 7.0
3	372 730	1	BATTERY, 6 VOLT 220 A.H.(OPTIONAL)	26	395 454	1	CIRCUIT BREAKER 20 AMP 30 AMP
4	380 330	1	VOLT METER, D.C. 30-45	27	395 416	1	WIRE ASSEMBLY #14 x 7.0
5	395 462	1	PLUG ASSEMBLY, CHARGER - DUAL	28	454 538	1	CIRCUIT BREAKER 15 AMP
6	395 442	1	WIRE HARNESS	29	395 414	1	WIRE ASSEMBLY #14 x 7.0
7	171 225	2	SWITCH, SNAP SPST N.C.	30	414 538	1	KEY SWITCH
8	381 540	1	CABLE ASSEMBLY, BATTERY 4 x 28	31	320 331	1	WIRE WRAP - NOT SHOWN
9	395 404	2	RESISTOR ASSEMBLY	32	398 090	1	TERMINAL CLAMP, BATTERY - NOT SHOWN
10	467 410	2	LIGHT, INDICATOR	33	442 011	2	CLAMP, CABLE - NOT SHOWN Not Needed
11	469 858	2	STANDOFF	34	372 673	12	BOOT, BATTERY POST - NOT SHOWN
12	395 426	1	WIRE RECTIFIER ASSEMBLY				
13	395 424	1	WIRE ASSEMBLY #14 x 6.0				
14	478 606	1	WIRE ASSEMBLY #14 x 4.0				
15	395 440	1	WIRE ASSEMBLY				
16	202 321	2	MOTOR, VAC 36 VOLT				
17	454 454	1	MOTOR, DRIVE 36 VOLT 2.25 HP				
18	380 548	1	TERMINAL BLOCK				
19	395 450	1	CONTACTOR				
20	395 422	1	CABLE ASSEMBLY #6 x 8.0				
21	454 429	1	CIRCUIT BREAKER 70 AMP				
22	395 412	1	WIRE ASSEMBLY #14 x 4.0				
23	395 452	1	SOLENOID, 36 VOLT				