



# Electronic Service Manuals

This electronic document is provided as a service to our customers. We do not create the contents of the information contained in this document. Should you have detailed questions pertaining to the information contained in this document, you may contact Michco, or the manufacturer which provided the original information in this electronic deliverable. Michco's only part in this electronic deliverable was the electronic assembly process.

You may contact Michco through the following methods:  
Phone (517) 484-9312 or (800) 331-3339 MI, OH, IN only  
2011 N. High St. -- Lansing, Michigan -- 48906  
Fax: (517) 484-9836  
Email: [CustServ@Michco.com](mailto:CustServ@Michco.com)  
Web site: [www.Michco.Com](http://www.Michco.Com)  
Parts Web site: [www.FloorMachineParts.Com](http://www.FloorMachineParts.Com)

Order Parts on Line at:  
**[www.FloorMachineParts.Com](http://www.FloorMachineParts.Com)**

Directly to Parts & Service:  
By Email: **[Shop@Michco.com](mailto:Shop@Michco.com)**  
By Fax: (517) 702-2041  
By Voice: Use numbers above.

**Serving the Cleaning Industry Since 1922**

Notice: All copyrighted material remains property of original owners, all trademarks are property of respective owners. Manuals are subject to Manufacturer's reproduction limitations. Originals or reproductions were provided by manufacturers through a request. We make no warranty as to the correctness of information provided in this document and you assume all risk.

# **Convertamatic™ 265LX**

---

# **Hydro-Retriever™ 265HD**



## **PARTS LIST**

**Advance MODELS 56393670, 56393675**

This parts list is for machines after serial number 1002647



**Nilfisk  
Advance**  
*setting standards*

revised 8/00 Form Number 56042286

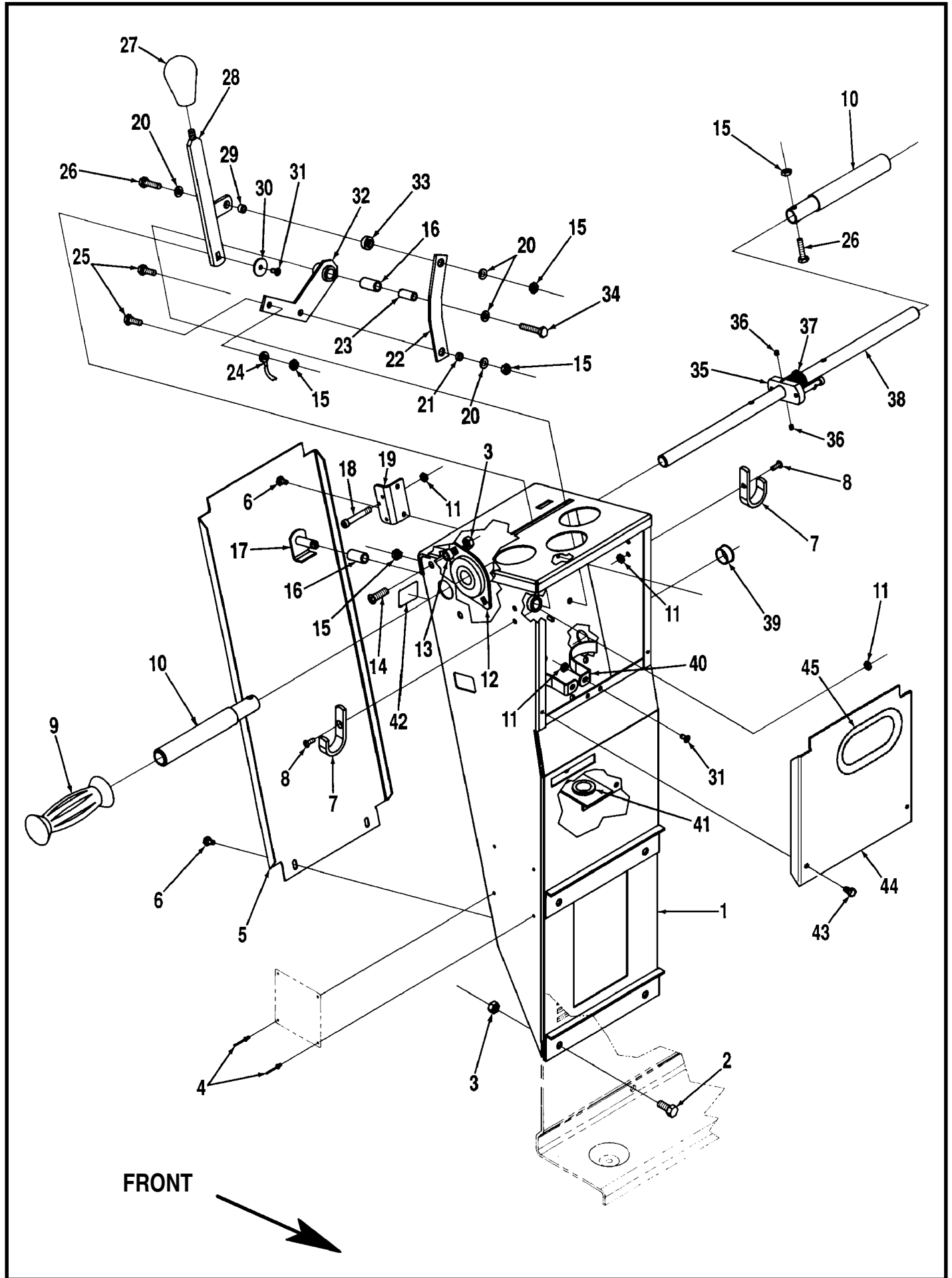
# TABLE OF CONTENTS

DESCRIPTION	PAGE
Handle .....	1-2
Chassis (before SN 1079087) .....	3-4
Chassis (after SN 1079086) .....	5-6
Skirts - 265 LX .....	7-8
Skirts - 265 HD .....	9-10
Vacuum Motor Assembly (before SN 1083938) .....	11-12
Vacuum Motor Assembly (after SN 1083937) .....	13-14
Brush Lift .....	15-16
Brush Drive .....	17-18
Wheel Drive .....	19-20
Solution System - 265LX (265HD before SN 1189105) .....	21-22
Solution System - 265HD after SN 1189104) .....	23-24
Recovery System - 265LX (265HD before SN 1189105) .....	25-26
Recovery System - 265HD after SN 1189104) .....	27-28
Squeegee Mount .....	29-30
Squeegee .....	31-32
Decals - 265LX (265HD before before SN 1189105) .....	33-34
Decals - 265HD after SN 1189104) .....	35-36
Handle Electrical System .....	37-38
Chassis Electrical System (before SN 1079087) .....	39-40
Chassis Electrical System (after SN 1079086) .....	41-42
Wiring Diagram (before SN 1079087) .....	43-44
Wiring Diagram (after SN 1079086) .....	45-46

## WHEN ORDERING PARTS

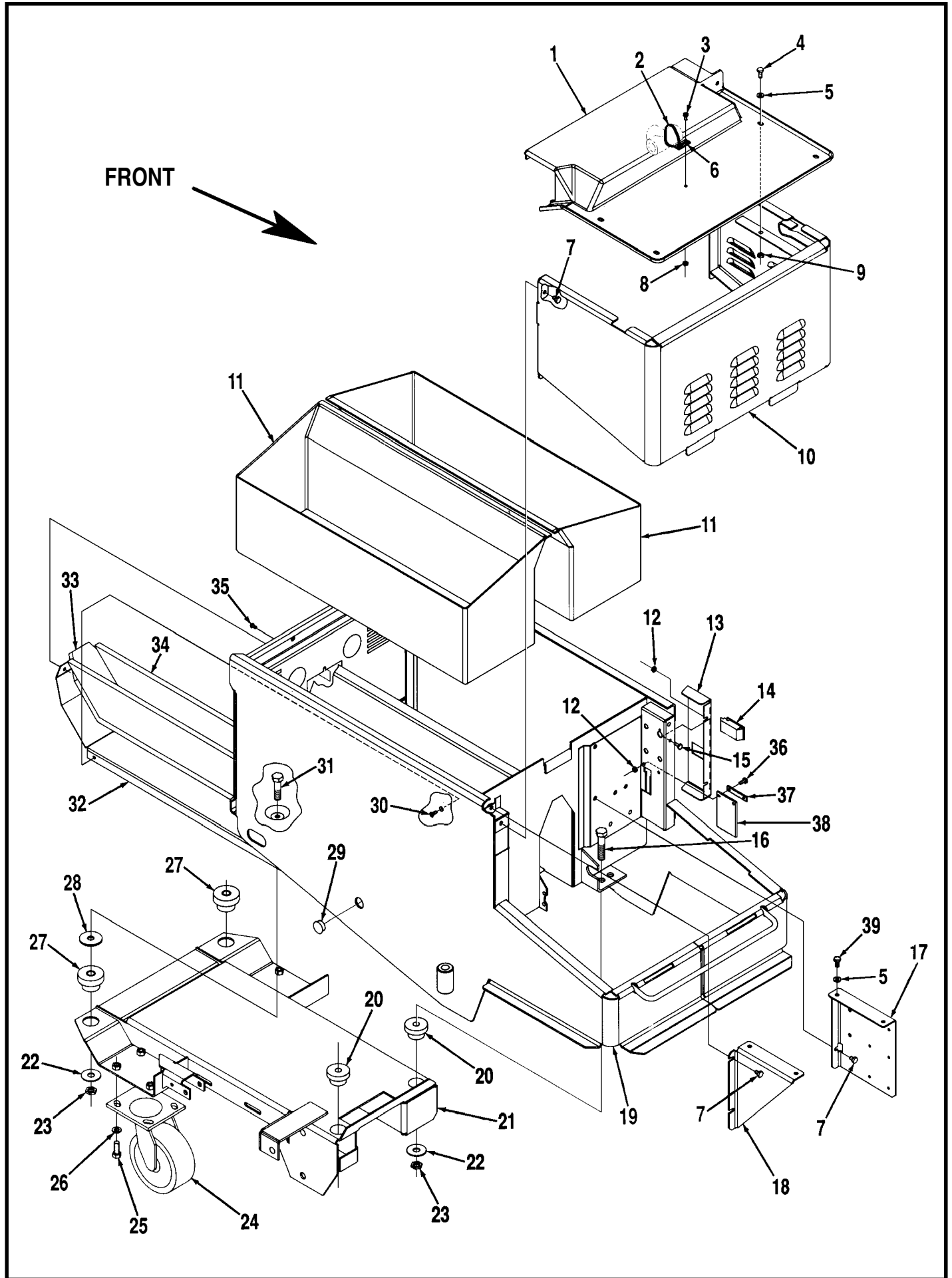
- \* Use the 8 digit numbers from the "Ref. No." columns in this parts list.
- \* Specify the model and serial number of the machine.
- \* Use the space below to record the model and serial number for future reference.

Model \_\_\_\_\_ Serial No. \_\_\_\_\_



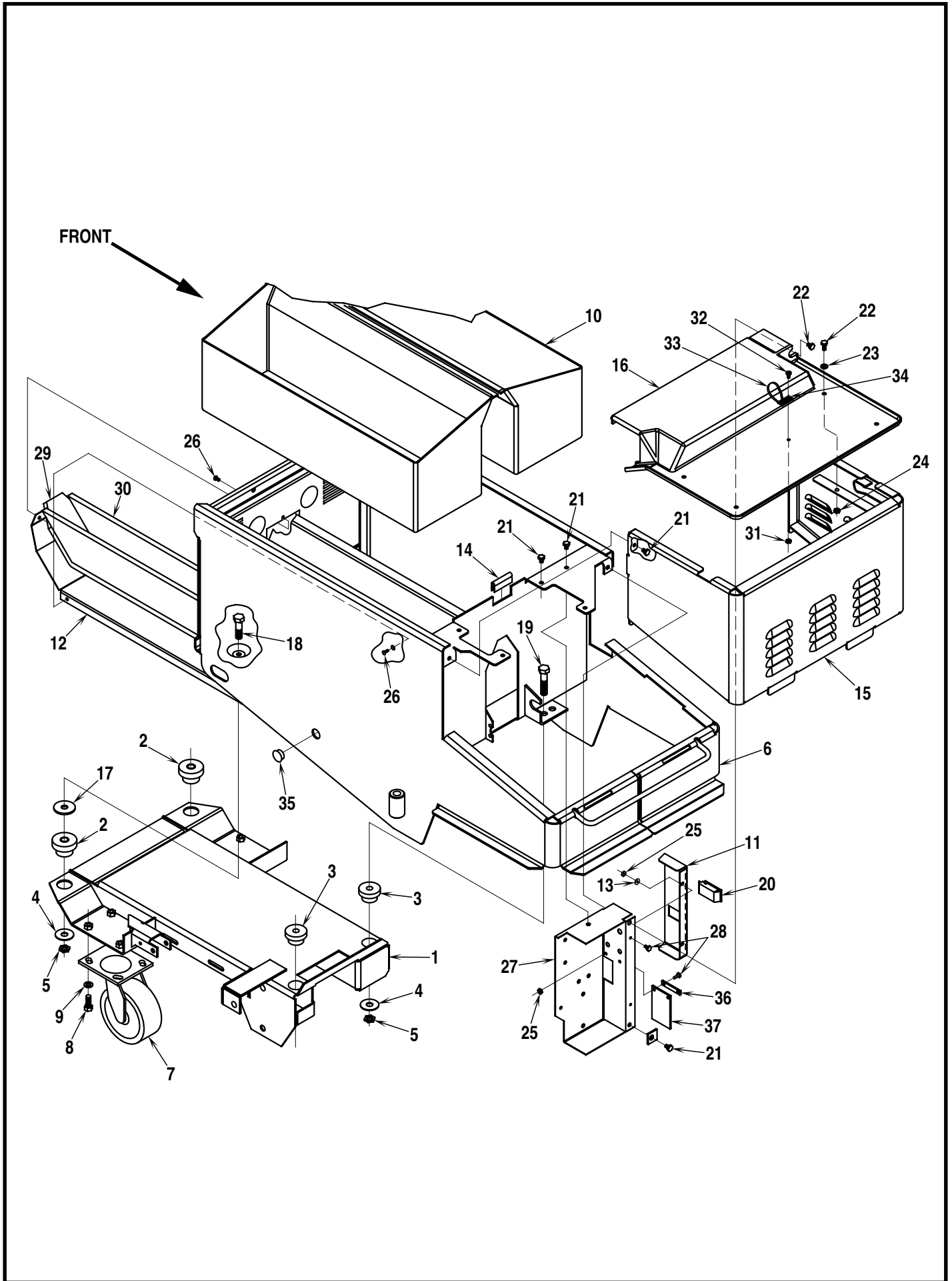
# HANDLE

Item	Ref. No.	Qty	Description
1	56324111	1	Handle
2	56002667	4	5/16-18 x .75 Screw
3	56002701	8	5/16-18 Lock Nut
4	56261209	4	Rivet
5	56324130	1	Cover
6	56002532	4	#10-24 x 1/4 HP-5 Screw
7	56324349	2	Hook
8	56002099	2	#10-24 x 5/8 Screw
9	56388545	2	Grip
10	56324120	2	Handle Tube
11	56002832	9	#10-24 Nyl Loc Nut
12	56393264	2	Bearing
13	56320595	4	Bushing
14	56002949	4	5/16-18 x 1 Screw
15	56002840	6	1/4-20 Lock Nut
16	56200972	2	Sleeve Bearing
17	56324361	1	Actuator
18	56900481	3	Screw
19	56324132	1	Stop Bracket
20	56002098	4	1/4 Flat Washer
21	56163872	1	Bushing
22	56393299	1	Strap
23	56471220	1	Spacer
24	56393304	1	Lift Cable
25	56001836	2	1/4-20 x 5/8 Screw
26	56002093	3	1/4-20 x 1 Screw
27	56364527	1	Knob
28	56324129	1	Handle Weldment
29	56206784	1	Bushing
30	56203874	1	Washer
31	56002043	3	#10-24 x 3/8 Screw
32	56393296	1	Arm
33	56384708	1	Step Bushing
34	56001967	1	1/4-20 x 1-3/4 Screw
35	56324133	1	Spring Lever
36	56002050	2	#10-24 x 1/4 Set Screw
37	56324033	1	Spring
38	56324131	1	Bar
39	56900144	1	Plug Button
40	56180030	2	Capacitor Clamp
41	56491648	1	Flange Bearing
42	56015592	2	Decal, Cover
43	56002519	2	#10-24 x 3/8 HP-5 Screw
44	56393394	1	Cover
45	56755581	12"	Trim (31 cm)



## CHASSIS SYSTEM (before SN 1079087)

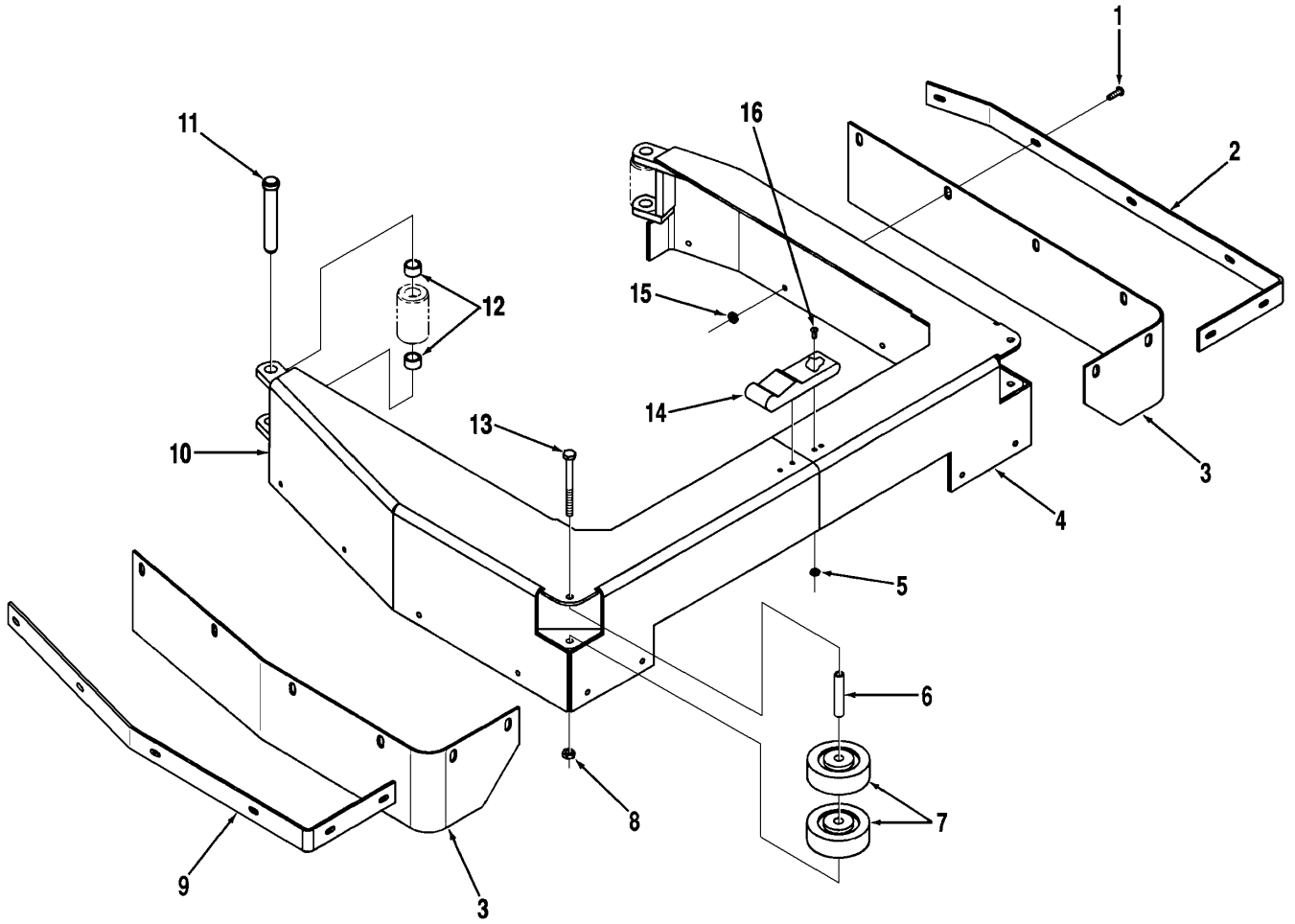
Item	Ref. No.	Qty	Description
1	56393660	1	Cover
2	56478246	1	Cable Tie
3	56002896	1	#10-24 x 5/8 SS Screw
4	56001836	4	1/4-20 x .62 Screw
5	56002098	8	1/4 Flat Washer
6	56469832	1	Anchor Tie
7	56002933	6	1/4-20 x 3/8 Screw
8	56002936	1	#10-24 SS Nyl Loc Nut
9	56002708	4	1/4-20 Nyl Loc Nut
10	56393334	1	Front Panel
11	56393355	2	Battery Tray
12	56002768	4	#10-24 Lock Nut
13	56393362	1	Door
14	56393358	1	Latch
15	56002834	2	#10-24 x 3/8 Screw
16	56001920	2	1/2-13 x 2-1/4 Bolt
17	56393356	1	Bracket
18	56393359	1	Bracket
19	56393319	1	Chassis
20	56393283	2	Isolation Mount
21	56393245	1	Base
22	56480742	4	Washer
23	56002843	4	1/2-13 Nyl Loc Nut
24	56440450	2	Caster
25	56002947	8	3/8-16 x 1 Bolt
26	56002063	8	3/8 Flat Washer
27	56478685	2	Isolator Mount
28	56393348	2	Washer
29	56756358	1	Plug Button
30	56003002	4	#10-24 x 3/8 HP-5 Screw
31	56002983	2	1/2-13 x 2 Bolt
32	56393333	1	Baffle Plate
33	56393388	1	Foam
34	56393387	2	Foam
35	56002518	1	#10-24 x 3/8 HP-5 Screw
36	56002503	2	#10-24 x 1/2 Screw
37	56324085	1	Strap
38	56324086	1	Flap
39	56002729	4	1/4-20 x 1/2 Loc Screw




## CHASSIS SYSTEM (after SN 1079086)

Item	Ref. No.	Qty	Description
1	56393245	1	Base Weld't
2	56478685	2	Isolater Mount
3	56393283	2	Isolater Mount
4	56480742	4	Wsh, Flt .53 x 1.50 x .07
5	56002770	2	Nut, Hex Nyl Loc 1/2-13
6	56393319	1	Chassis Weld't
7	56440450	2	Caster
	56503007	A/R	Wheel (for 56440450 Caster)
8	56002947	8	Scr, Hex Hd Loc 3/8-16 x 1.00
9	56002063	8	Wsh, Flt SAE 3/8
10	56393355	2	Tray, Battery
11	56393362	1	Door Weld't
12	56393333	1	Baffle Plate
13	56001954	2	Wsh, Flt SAE #10
14	56261397	2"	Gasket (5.14cm)
15	56393334	1	Front Panel Weld't
16	56393660	1	Cover
17	56393348	2	Washer
18	56001995	2	Scr, Hex 1/2-13 x 1.75
19	56001920	2	Scr, Hex Hd 1/2-13 x 2.25
20	56393358	1	Latch
21	56003039	8	Scr, Hex Loc 1/4-20 x .50
22	56002155	4	Scr, Hex 1/4-20 x .75
23	56002098	8	Wsh, Flt SAE 1/4
24	56002708	4	Nut, Hex Nyl Loc 1/4-20
25	56002832	4	Nut, Hex Nyl Loc-Thin 10-24
26	56009065	5	Scr, Flt Phil Thd Form 10-24 x .50
27	56393472	1	Panel, Electrical
28	56002503	4	Scr, Hex 10-24 x .50
29	56393388	1	Foam, Accoustical
30	56393387	2	Foam, Accoustical
31	56002936	1	Nut, Hex Nyl Loc SS 10-24
32	56002896	1	Scr, Pan Phil SS 10-24 x .62
33	56478246	1	Cable Tie
34	56469832	1	Tie, Anchor Mount
35	56756358	1	Plug, Button
36	56324085	1	Strap
37	56324086	1	Flap
*	56409837	1	Battery Spacer (for use with 244AH batteries PN 56376014)
*	56409838	1	Battery Spacer (for use with 244AH batteries PN 56376014)

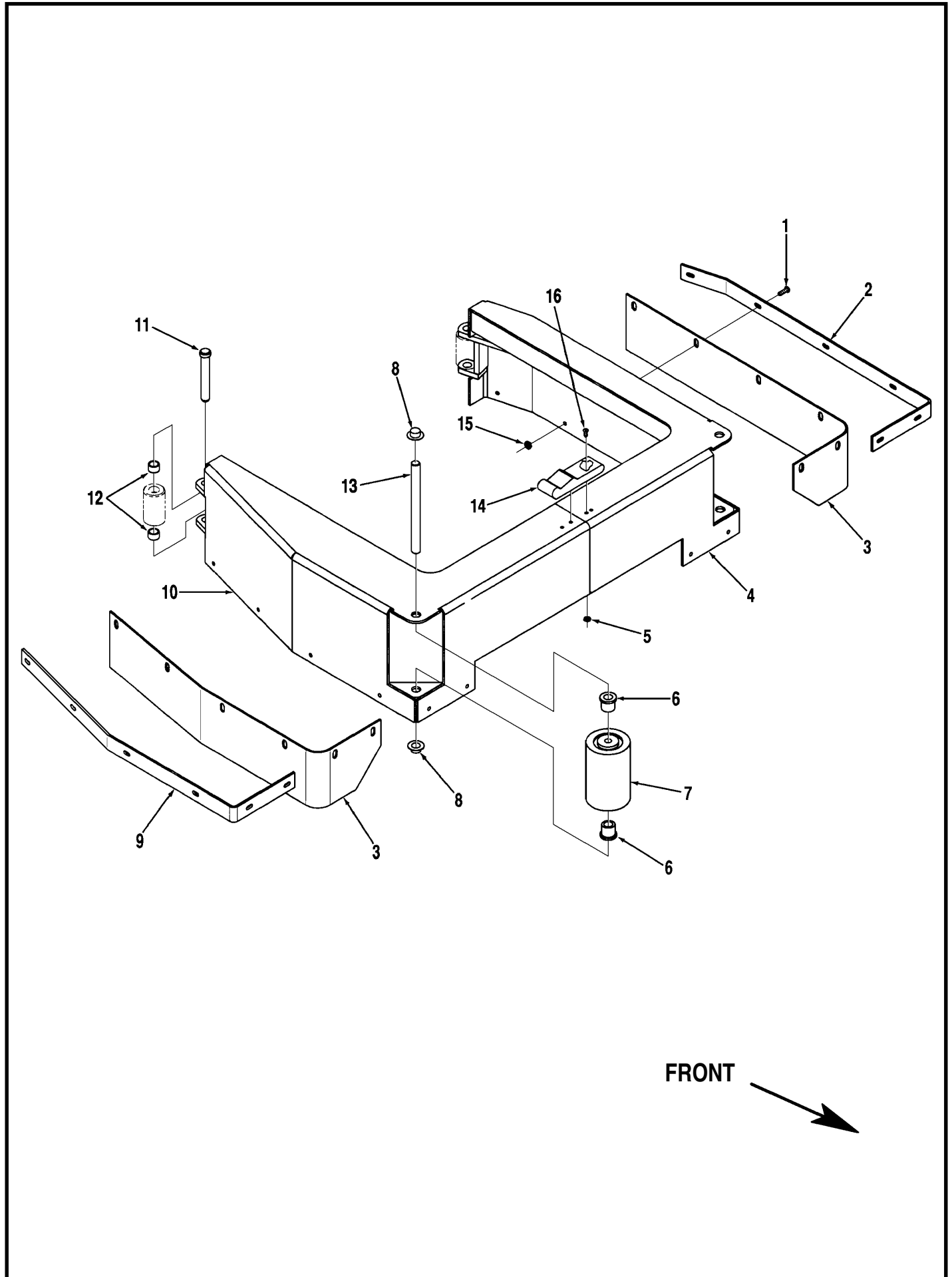
\* = Not Shown



FRONT 

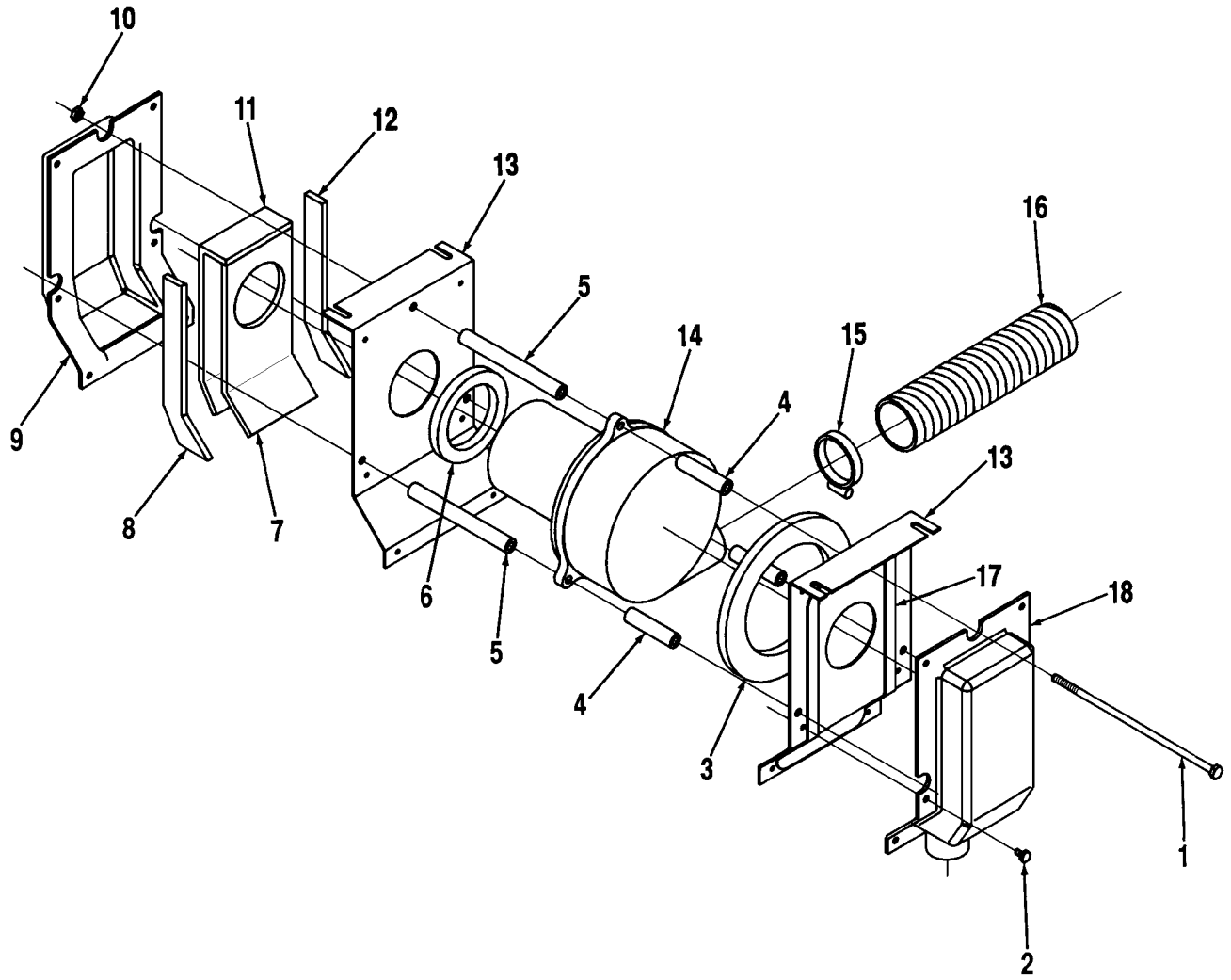
**SKIRTS - 265 LX**

Item	Ref. No.	Qty	Description
1	56002896	12	#10-24 x 5/8 SS Screw
2	56393419	1	Left Strap
3	56393408	2	Rubber Skirt
4	56393450	1	Left Splash Guard
5	56002964	4	#6-32 SS Thin Nyl Loc Nut
6	56386823	2	Bushing
7	56324350	4	Wheel
8	56002708	2	1/4-20 Nyl Loc Nut
9	56393418	1	Right Strap
10	56393451	1	Right Splash Guard
11	56360147	2	Pin
12	56366633	4	Bushing
13	56002397	2	1/4-20 x 2-3/4 Screw
14	56462316	1	Latch
15	56002849	12	#10-24 SS Thin Nyl Loc Nut
16	56002909	4	#6-32 x 3/8 SS Screw



**SKIRTS - 265 HD**

Item	Ref. No.	Qty	Description
1	56002896	12	#10-24 x 5/8 SS Screw
2	56393419	1	Left Strap
3	56393408	2	Rubber Skirt
4	56393458	1	Left Splash Guard
5	56002964	4	#6-32 SS Thin Nyl Loc Nut
6	56111503	4	Flange Bearing
7	56376540	2	Roller
8	56376544	4	Stud Cap
9	56393418	1	Right Strap
10	56393457	1	Right Splash Guard
11	56360147	2	Pin
12	56366633	4	Bushing
13	56393372	2	Rod
14	56462316	1	Latch
15	56002849	12	#10-24 SS Thin Nyl Loc Nut
16	56002909	4	#6-32 x 3/8 SS Screw

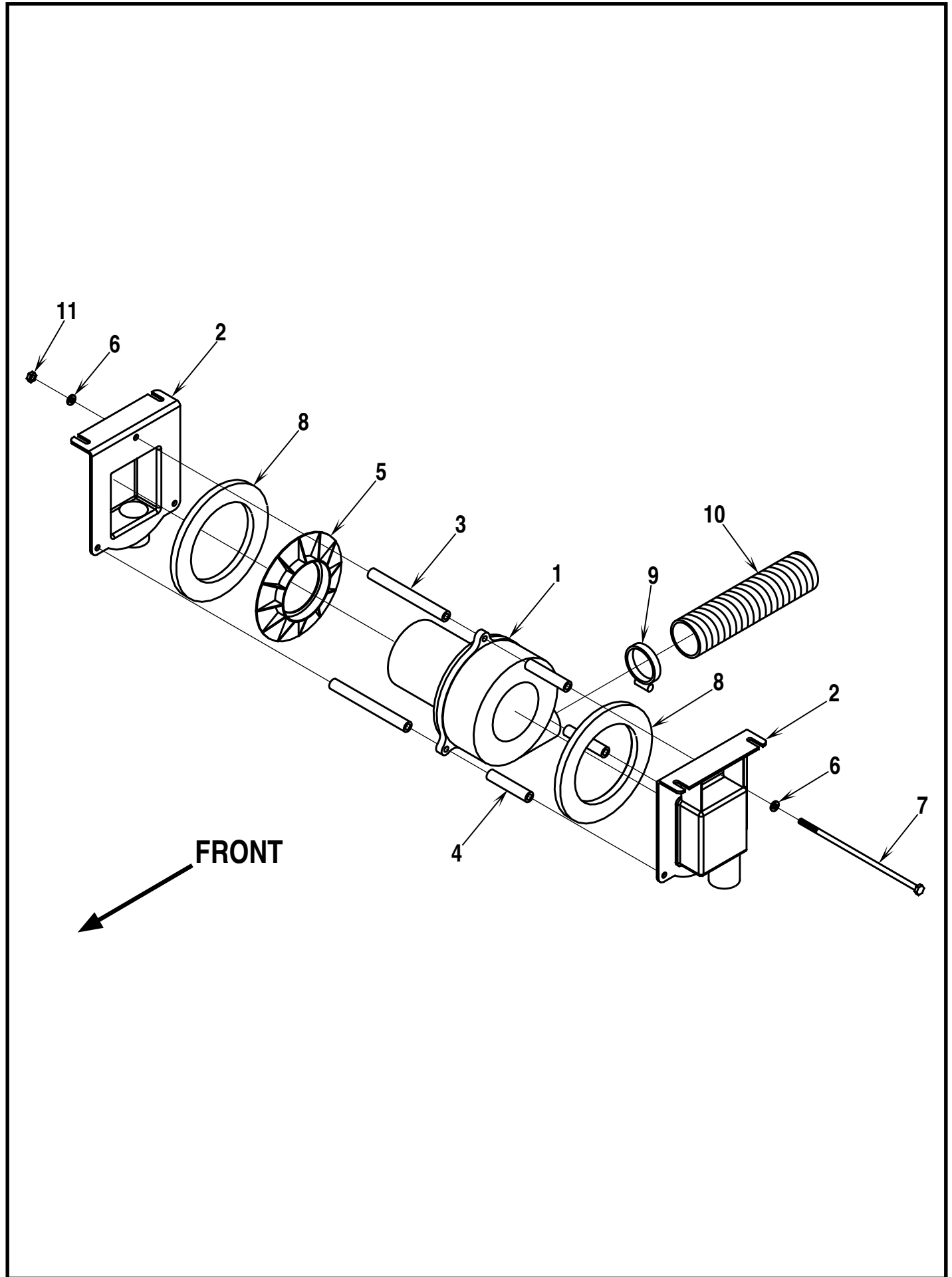


FRONT  
←

**VACUUM MOTOR ASSEMBLY (before SN 1083938)**

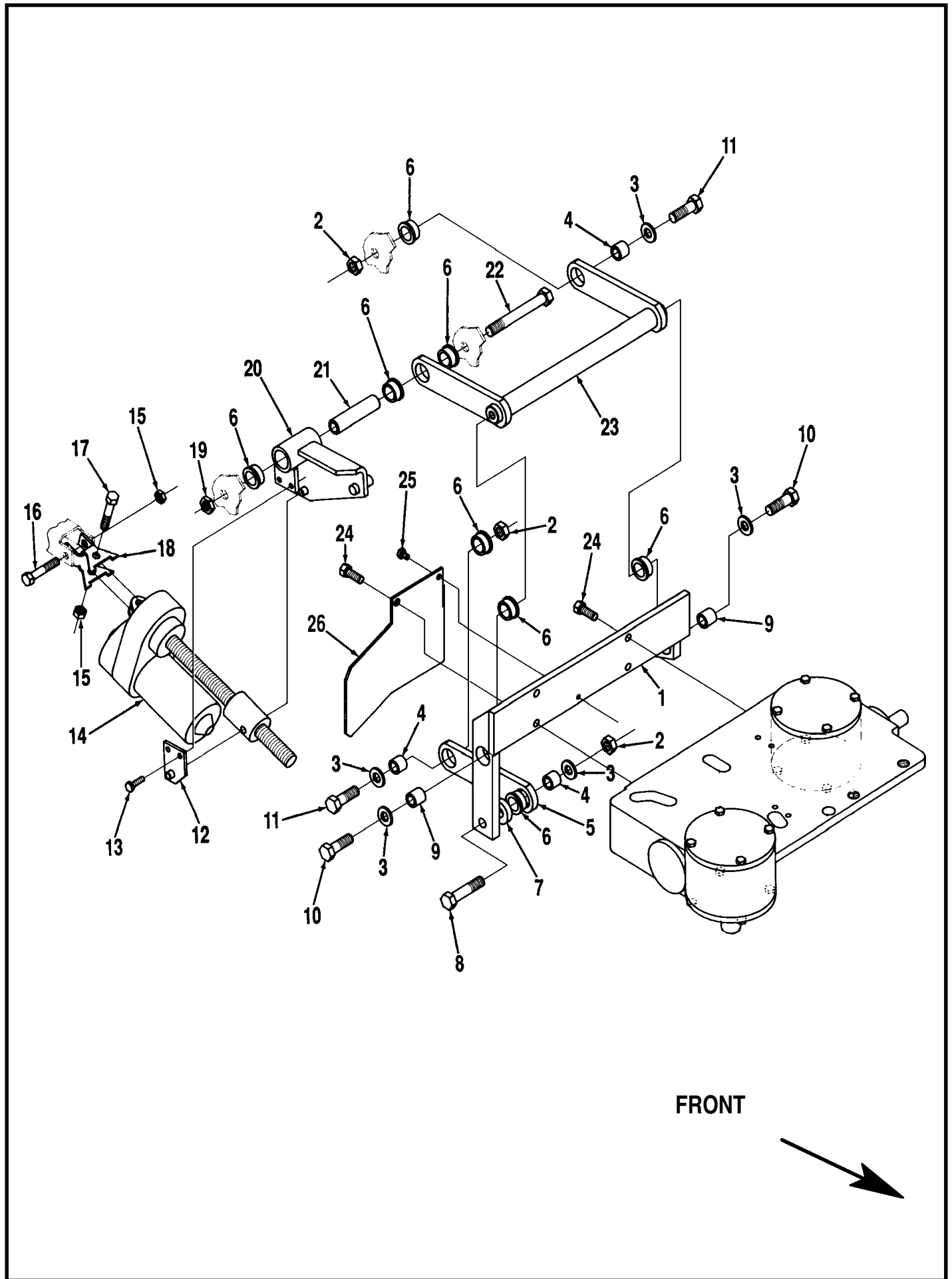
Item	Ref. No.	Qty	Description
1	56002776	3	1/4-20 x 8 Screw
2	56002519	12	#10-24 x 3/8 HP-5 Screw
3	56385437	1	Gasket
4	56324095	3	Spacer
5	56324094	3	Spacer
6	56324040	1	Gasket
7	56324102	1	Foam
8	56324100	1	Foam
9	56324092	1	Intake Shroud
10	56002708	3	1/4-20 Nyl Loc Nut
11	56324101	1	Foam
12	56324099	1	Foam
13	56324098	2	Bracket
14	56324189	1	Vacuum Motor
*	56503003	1	Carbon Brush Set for 56324189
15	56440213	1	Hose Clamp
16	56385599	1	Hose
17	56200754	3'	Gasket (92.5 cm)
18	56324097	1	Shroud

\* = Not Shown



**VACUUM MOTOR ASSEMBLY (after SN 1083937)**

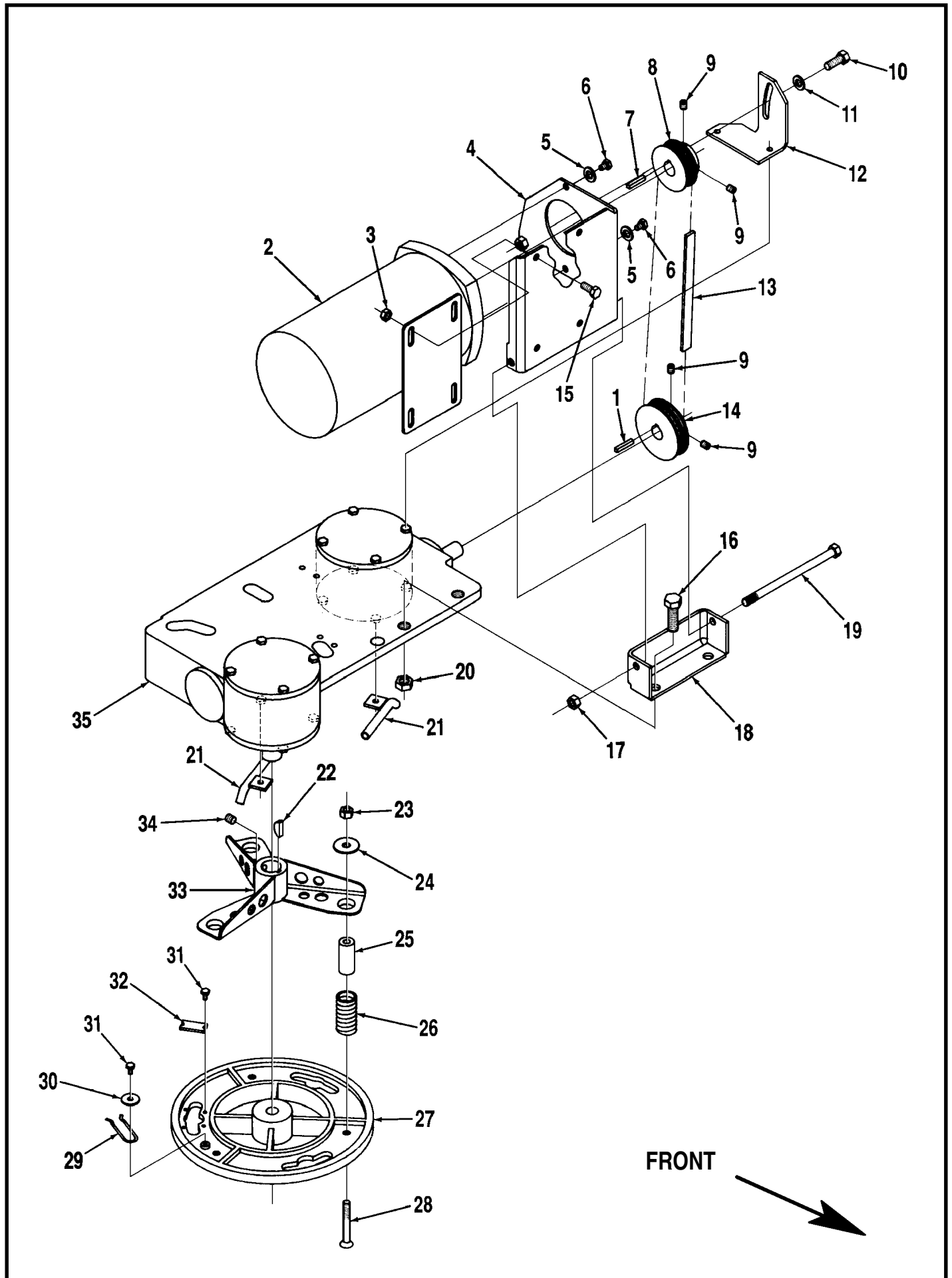
Item	Ref. No.	Qty	Description
1	56324189	1	Vacuum Motor
*	56503003	1	Carbon Brush Set for 56324189
2	56324458	2	Shroud
3	56324461	3	Spacer
4	56324462	3	Spacer
5	56324459	1	Flange
6	56002098	6	Wsh, Flt SAE 1/4
7	56002776	3	Scr, Hex Hd 1/4-20 x 8.00
8	56385437	2	Gasket
9	56440213	1	Hose Clamp
10	56385599	1	Hose
11	56002708	3	Nut, Hex Nyl Loc 1/4-20



# BRUSH LIFT

Item	Ref. No.	Qty	Description
1	56393246	1	Mount
2	56002770	3	1/2-13 Nyl Loc Nut
3	56001879	5	1/2 Flat Washer
4	56393281	3	Bushing
5	56393271	1	Arm
6	56250414	8	Flange Bearing
7	56393273	1	Spacer
8	56002533	1	1/2-13 x 2-1/2 Bolt
9	56393272	2	Bushing
10	56002954	2	1/2-13 x 1-1/2 Loc Bolt
11	56001955	2	1/2-13 x 1-3/4 Bolt
12	56393258	1	Arm
13	56002922	2	1/4-20 x 5/8 Loc Screw
14	56393303	1	Actuator
*	56388520	1	Plastic Drive Nut ( <b>for 56393303</b> )
*	56470433	1	Carbon Brush kit ( <b>for 56393303</b> )
15	56002841	2	3/8-16 Thin Nyl Loc Nut
16	56002091	1	3/8-16 x 2 Bolt
17	56002684	1	3/8-16 x 1-3/4 Bolt
18	56392454	1	Yoke
19	56002843	1	1/2-13 Thin Nyl Loc Nut
20	56393253	1	Lift Arm
21	56393274	1	Bushing
22	56002961	1	1/2-13 x 4 Bolt
23	56393250	1	Arm
24	56002947	5	3/8-16 x 1 Bolt
25	56002530	1	1/4-20 x 3/8 HP-5 Screw
26	56393275	1	Splash Plate

\* = Not Shown

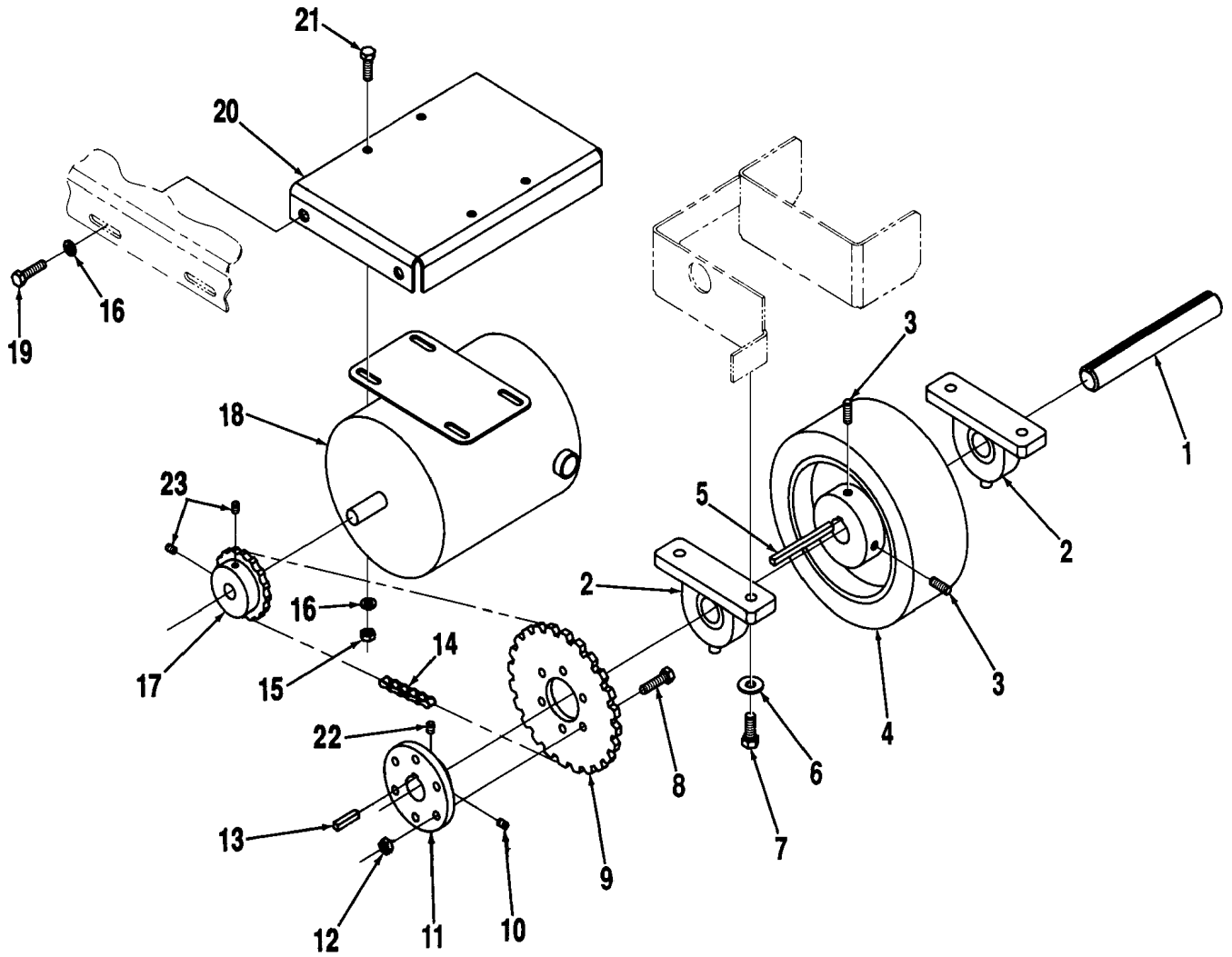


# BRUSH DRIVE

Item	Ref. No.	Qty	Description
1	56378704	1	Key
2	56393493	1	Motor
*	56393494	1	Carbon Brush Set for 56393493 (pkg of 4)
3	56002701	4	5/16-18 Nyl Loc Nut
4	56393391	1	Motor Mount
5	56002098	2	1/4 Flat Washer
6	56002729	2	1/4-20 x 1/2 Loc Screw
7	56367958	1	Key
8	56372626	1	Pulley
9	56002021	4	5/16-18 x 3/8 Loc Set Screw
10	56002947	1	3/8-16 x 1 Bolt
11	56162957	1	Washer
12	56393278	1	Mount
13	56327476	1	Belt
14	56372891	1	Pulley
15	56002667	4	5/16-18 x 3/4 Bolt
16	56001968	2	1/2-13 x 1-1/2 Bolt
17	56002769	1	3/8-16 Nyl Loc Nut
18	56393282	1	Mount
19	56003044	1	3/8-16 x 6-1/2 Bolt
20	56002770	2	1/2-13 Nyl Loc Nut
21	56393260	2	Tube
22	56378291	2	Key
23	56002856	6	5/16-18 SS Nyl Loc Nut
24	56752278	6	Washer
25	56392530	6	Spacer
26	56392513	6	Spring
27	56391611	2	Brush Holder
28	56002965	6	5/16-18 x 2-1/2 SS Bolt
29	56366463	2	Retainer Spring
30	56203874	2	Washer
31	56002519	6	#10-24 x 3/8 HP-5 Screw
32	56366455	2	Plate
33	56392396	2	Drive Adapter
34	56002953	2	3/8-16 x 3/8 SS Set Screw
35	56550116	1	Gear Case Assembly
**	56505760	2	Pad Holder
**	56505761	2	Magna-Grit™ 46 Brush
**	56505762	2	Dyna-Grit™ 80 Brush
**	56505763	2	Aglite™ 500 Brush
**	56505764	2	Prolene Brush
**	56505765	2	Prolite™ Brush
**	56505766	2	Union Mix Brush
**	56505767	2	MidGrit™ 240 Brush
**	56505768	2	MidLite™ 180 Brush

\* = Repair Part, not included

\*\* = Optional Accessory, not included



FRONT

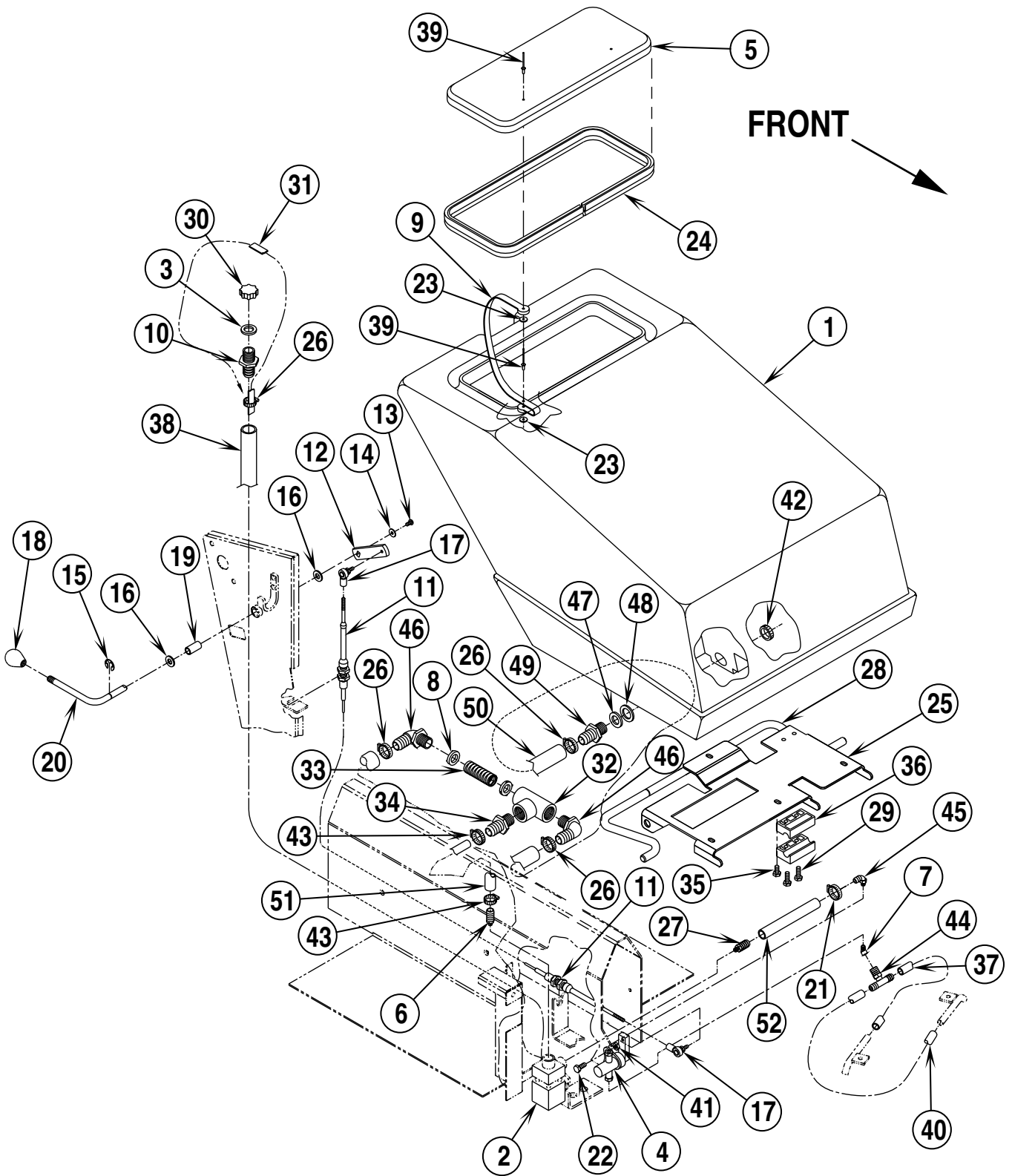


## WHEEL DRIVE

Item	Ref. No.	Qty	Description
1	56393110	1	Drive Shaft
2	56444308	2	Pillow Block
3	56001826	2	5/16-18 x 1/2 Loc Set Screw
4	56393213	1	Wheel
5	56261230	1	Key
6	56385358	4	Washer
7	56001858	4	3/8-16 x 1-1/4 Loc Bolt
8	56002913	6	5/16-18 x 1 SS Bolt
9	56261020	1	Sprocket
10	56002930	1	1/4-20 x 3/8 Loc Set Screw
11	56261223	1	Adapter
12	56002856	6	5/16-18 SS Nyl Loc Nut
13	56378704	1	Key
14	56393172	1	Chain
15	56002701	4	5/16-18 Nyl Loc Nut
16	56001939	8	5/16 Flat Washer
17	56393164	1	Sprocket
18	56263253	1	Motor
*	56503023	1	Carbon Brush Set for 56263253
19	56002956	4	5/16-18 x 3/4 Loc Bolt
20	56393262	1	Motor Mount
21	56002667	4	5/16-18 x 3/4 Bolt
22	56001841	1	1/4-20 x 1/4 Loc Set Screw
23	56001896	2	1/4-20 x 5/8 Loc Set Screw

\* = Repair Part, not included

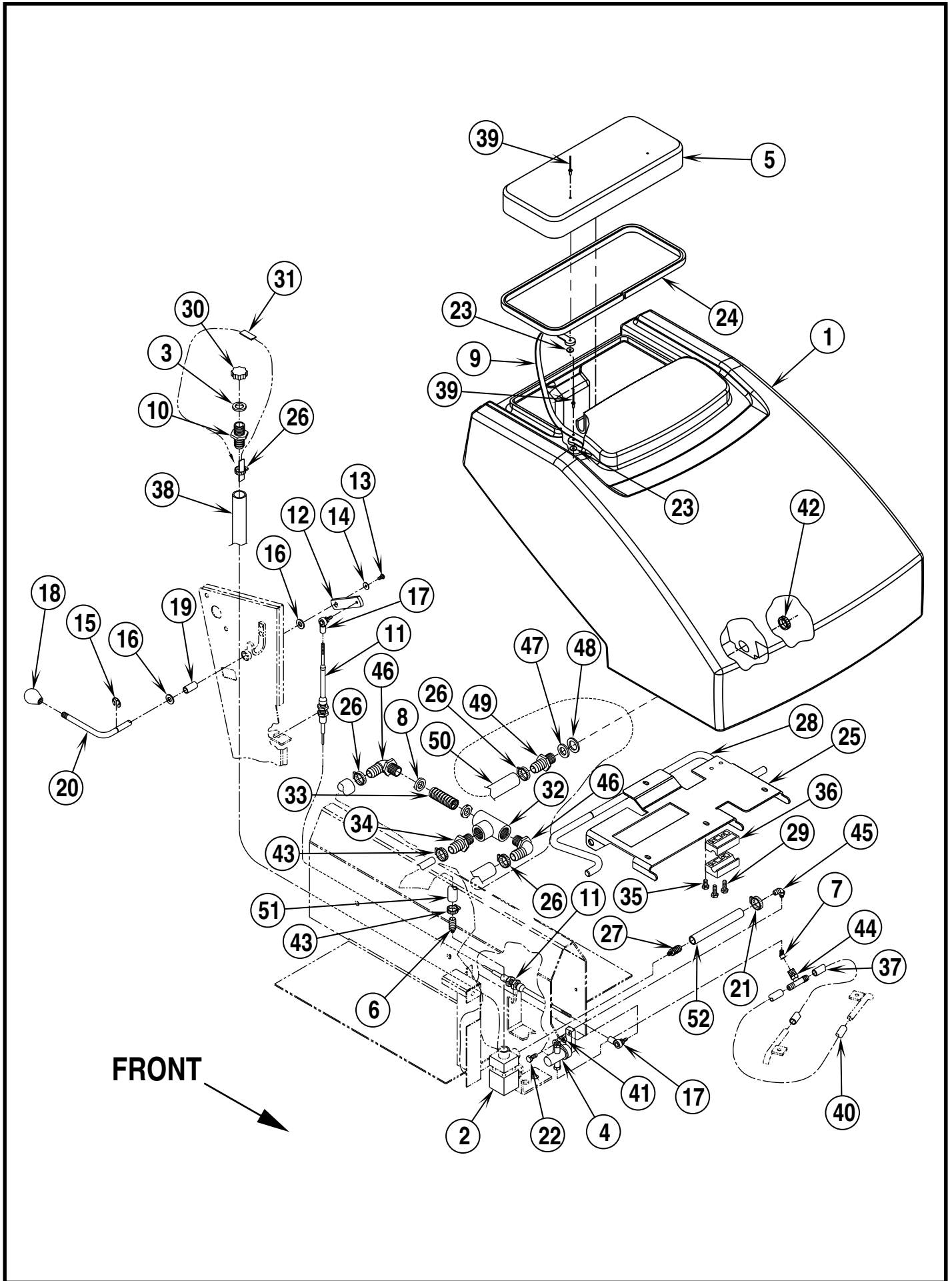
FRONT



## SOLUTION SYSTEM - 265LX (265HD before SN 1189105)

Item	Ref. No.	Qty	Description
1	56393378	1	Solution Tank
2	56324247	1	Solenoid Valve
*	56324506	1	Viton Seal Kit (for PN 56324247)
*	56324507	1	EPDM Seal Kit (for PN 56324247)
3	56368776	1	Washer, Rubber
4	56393789	1	Valve, 2-Way
5	56261187	1	Cover
6	56373456	1	Fitting, 1/4 NPTM x 1/2 Barb
7	56368938	1	Elbow, STR 45° 1/4 NPT
8	56324313	2	Washer, Rubber
9	56263379	2	Strap
10	56900273	1	Barb
11	56393347	1	Cable, Control
12	56324206	1	Bar, Linkage
13	56002926	1	Scr, Hex Hd Loc 10-24 x .38
14	56009096	1	Wsh, Flt .19 x .87 x .06
15	56003262	1	Ring, Ret Ext Type E
16	56002063	2	Wsh, Flt SAE 3/8
17	56488290	2	Rod End #10
18	56378534	1	Knob
19	56200972	1	Bearing
20	56324216	1	Rod, Valve Control
21	56756364	1	Clamp, Hose
22	56001836	2	Scr, Hex 1/4-20 x .62
23	56263381	4	Wsh, .12 x .50 x .03
24	56261397	38"	Gasket, Raw (96.5 cm)
25	56393880	1	Plate, Tip-Up
26	56112771	4	Clamp, Hose
27	56155640	1	Fitting, 1/4 NPTM x 3/8 Barb
28	56393879	1	Bar, Tank Support
29	56002901	2	Scr, Hex Hd SS 1/4-20 x 1.50
30	56255076	1	Cap
31	56324602	1	Strap
32	56324029	1	Tee, ABS 3/4 NPT
33	56324030	1	Filter
34	56393385	1	Barb, Adapter
35	56002924	4	Scr, Pan Phil Loc 1/4-20 x .50
36	56393878	2	Block
37	56379107	1	Hose, PVC .38 x 12.00
38	56900299	80"	Hose, Spiral (203 cm)
39	56900186	4	Rivot, Pop
40	56393382	1	Hose, PVC .38 x 17.00
41	56002708	2	Nut, Hex Nyl Loc 1/4-20
42	56393187	1	Nut, Hex 3/4-16 UNF
43	56219932	2	Clamp, Hose
44	56393224	1	Tee, 1/4 NPTM x .38 Barb
45	56756739	1	Elbow, Barb 90° 1/4 NPT
46	56456802	2	Barb, Elbow 90°
47	56249625	1	Restrainer
48	56154717	1	Wsh, Rubber .62 x 1.06 x .12
49	56393182	1	Barb
50	56900299	12"	Hose, Spiral (30.5 cm)
51	56900298	23"	Hose, Spiral (58.5 cm)
52	56257534	1	Hose, PVC .38 x 5.00

\* = Not Shown



## SOLUTION SYSTEM - 265HD (after SN 1189104)

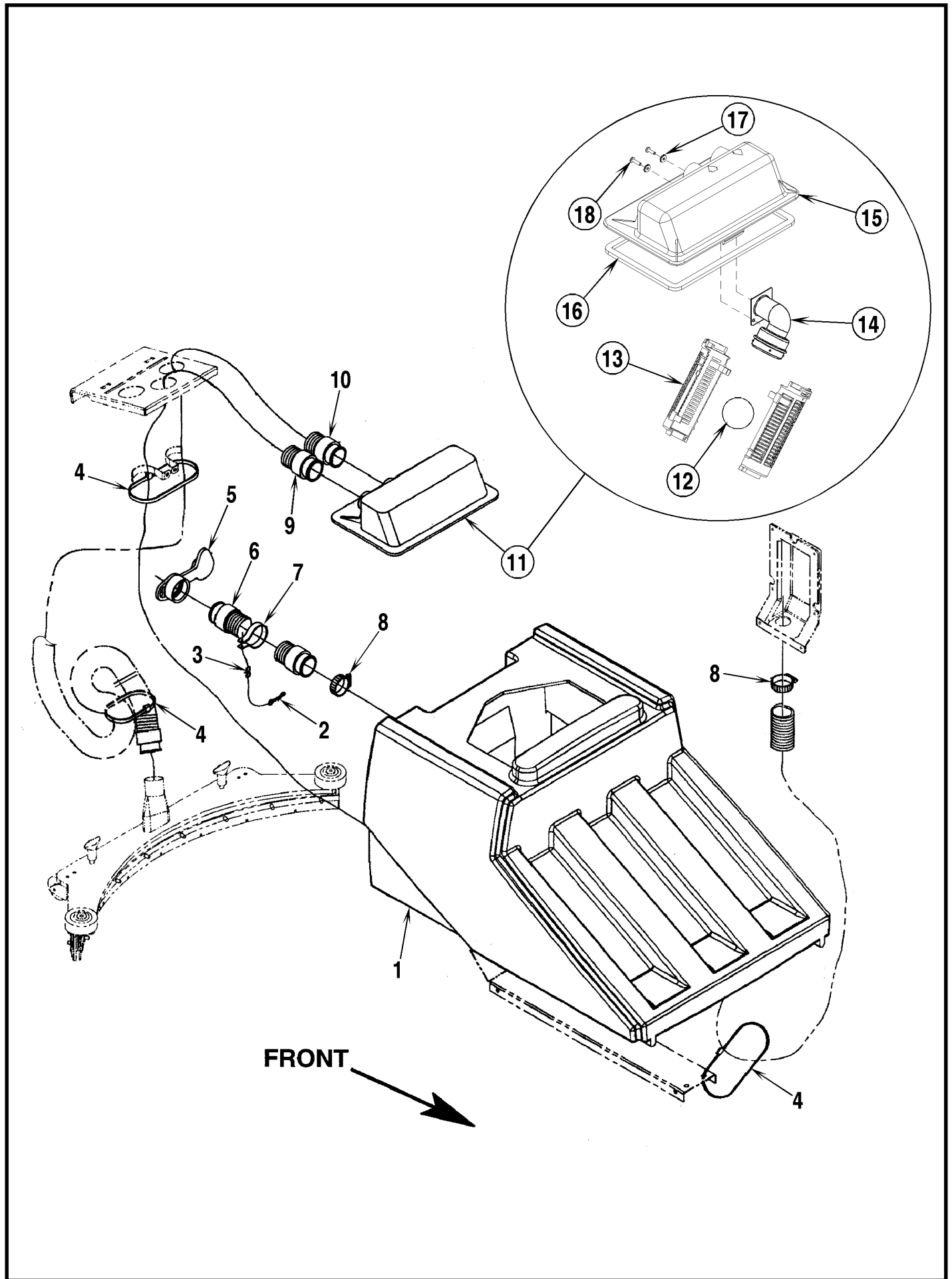
Item	Ref. No.	Qty	Description
1	56393842	1	Solution Tank
2	56324247	1	Solenoid Valve
*	56324506	1	Viton Seal Kit (for PN 56324247)
*	56324507	1	EPDM Seal Kit (for PN 56324247)
3	56368776	1	Washer, Rubber
4	56393789	1	Valve, 2-Way
5	56393767	1	Cover
6	56373456	1	Fitting, 1/4 NPTM x 1/2 Barb
7	56368938	1	Elbow, STR 45° 1/4 NPT
8	56324313	2	Washer, Rubber
9	56263379	2	Strap
10	56900273	1	Barb
11	56393347	1	Cable, Control
12	56324206	1	Bar, Linkage
13	56002926	1	Scr, Hex Hd Loc 10-24 x .38
14	56009096	1	Wsh, Flt .19 x .87 x .06
15	56003262	1	Ring, Ret Ext Type E
16	56002063	2	Wsh, Flt SAE 3/8
17	56488290	2	Rod End #10
18	56378534	1	Knob
19	56200972	1	Bearing
20	56324216	1	Rod, Valve Control
21	56756364	1	Clamp, Hose
22	56001836	2	Scr, Hex 1/4-20 x .62
23	56263381	4	Wsh, .12 x .50 x .03
24	56261397	38"	Gasket, Raw (96.5 cm)
25	56393880	1	Plate, Tip-Up
26	56112771	4	Clamp, Hose
27	56155640	1	Fitting, 1/4 NPTM x 3/8 Barb
28	56393879	1	Bar, Tank Support
29	56002901	2	Scr, Hex Hd SS 1/4-20 x 1.50
30	56255076	1	Cap
31	56324602	1	Strap
32	56324029	1	Tee, ABS 3/4 NPT
33	56324030	1	Filter
34	56393385	1	Barb, Adapter
35	56002924	4	Scr, Pan Phil Loc 1/4-20 x .50
36	56393878	2	Block
37	56379107	1	Hose, PVC .38 x 12.00
38	56900299	80"	Hose, Spiral (203 cm)
39	56900186	4	Rivot, Pop
40	56393382	1	Hose, PVC .38 x 17.00
41	56002708	2	Nut, Hex Nyl Loc 1/4-20
42	56393187	1	Nut, Hex 3/4-16 UNF
43	56219932	2	Clamp, Hose
44	56393224	1	Tee, 1/4 NPTM x .38 Barb
45	56756739	1	Elbow, Barb 90° 1/4 NPT
46	56456802	2	Barb, Elbow 90°
47	56249625	1	Restrainer
48	56154717	1	Wsh, Rubber .62 x 1.06 x .12
49	56393182	1	Barb
50	56900299	12"	Hose, Spiral (30.5 cm)
51	56900298	23"	Hose, Spiral (58.5 cm)
52	56257534	1	Hose, PVC .38 x 5.00

\* = Not Shown



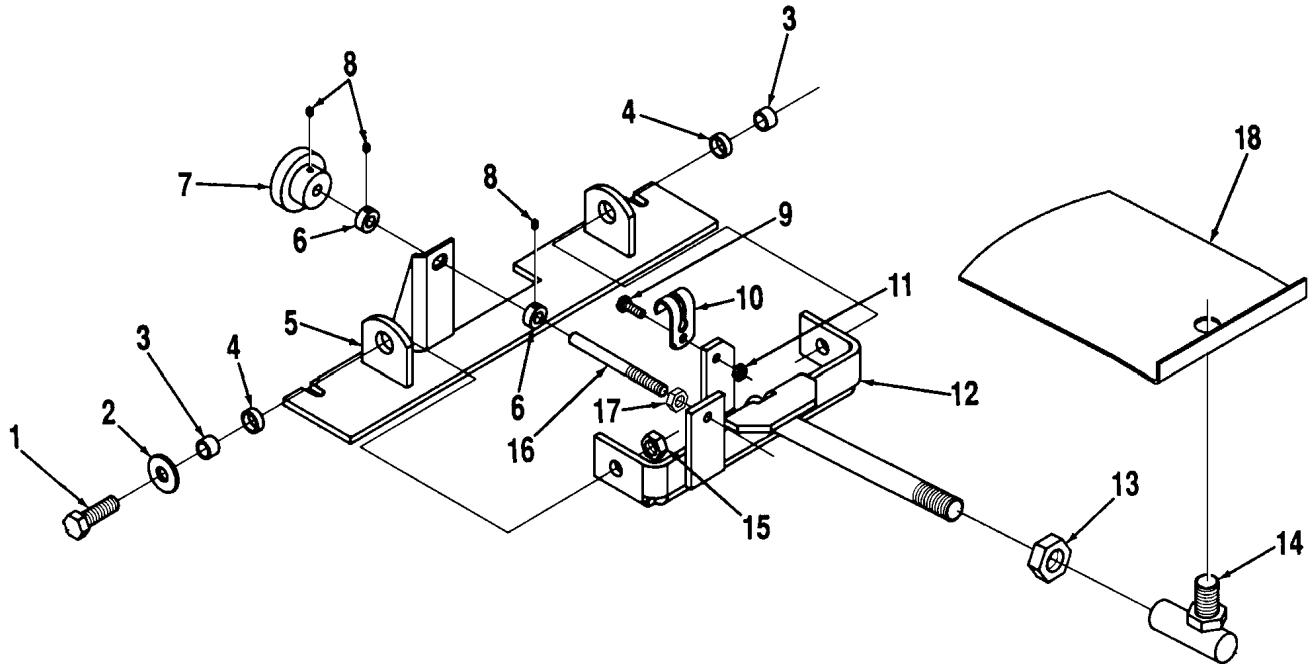
**RECOVERY SYSTEM - 265LX (265HD before SN 1189105)**

Item	Ref. No.	Qty	Description
1	56393352	1	Recovery Tank
2	56324281	1	Swivel Snap
3	56745391	1	S-Hook
4	56477613	3	Cable Tie
5	56324180	1	Drain Plug
6	56372216	1	Drain Hose
7	56263379	1	Strap
8	56329145	2	Hose Clamp
9	56392563	1	Hose with Cuff
10	56324255	1	Hose with Cuffs
11	56324045	1	Cover Assembly (#12-18)
12	56391690	1	Ball
13	56324497	2	Cage, Float
14	56324298	1	Elbow, Float
15	56324046	1	Cover, Tank
16	56262576	1	Gasket
17	56209261	2	Washer, Sealing 9/16
18	56003633	2	Scr, Pan Phil SS Type B 10-16 x .50



**RECOVERY SYSTEM - 265HD (after SN 1189104)**

Item	Ref. No.	Qty	Description
1	56393841	1	Recovery Tank
2	56324281	1	Swivel Snap
3	56745391	1	S-Hook
4	56477613	3	Cable Tie
5	56393772	1	Drain Plug
6	56393770	1	Drain Hose
7	56263379	1	Strap
8	56329145	2	Hose Clamp
9	56393769	1	Hose with Cuff
10	56393771	1	Hose with Cuffs
11	56324396	1	Cover Assembly (#12-18)
12	56391690	1	Ball
13	56324497	2	Cage, Float
14	56324298	1	Elbow, Float
15	56324395	1	Cover, Tank
16	56262576	1	Gasket
17	56209261	2	Washer, Sealing 9/16
18	56003633	2	Scr, Pan Phil SS Type B 10-16 x .50

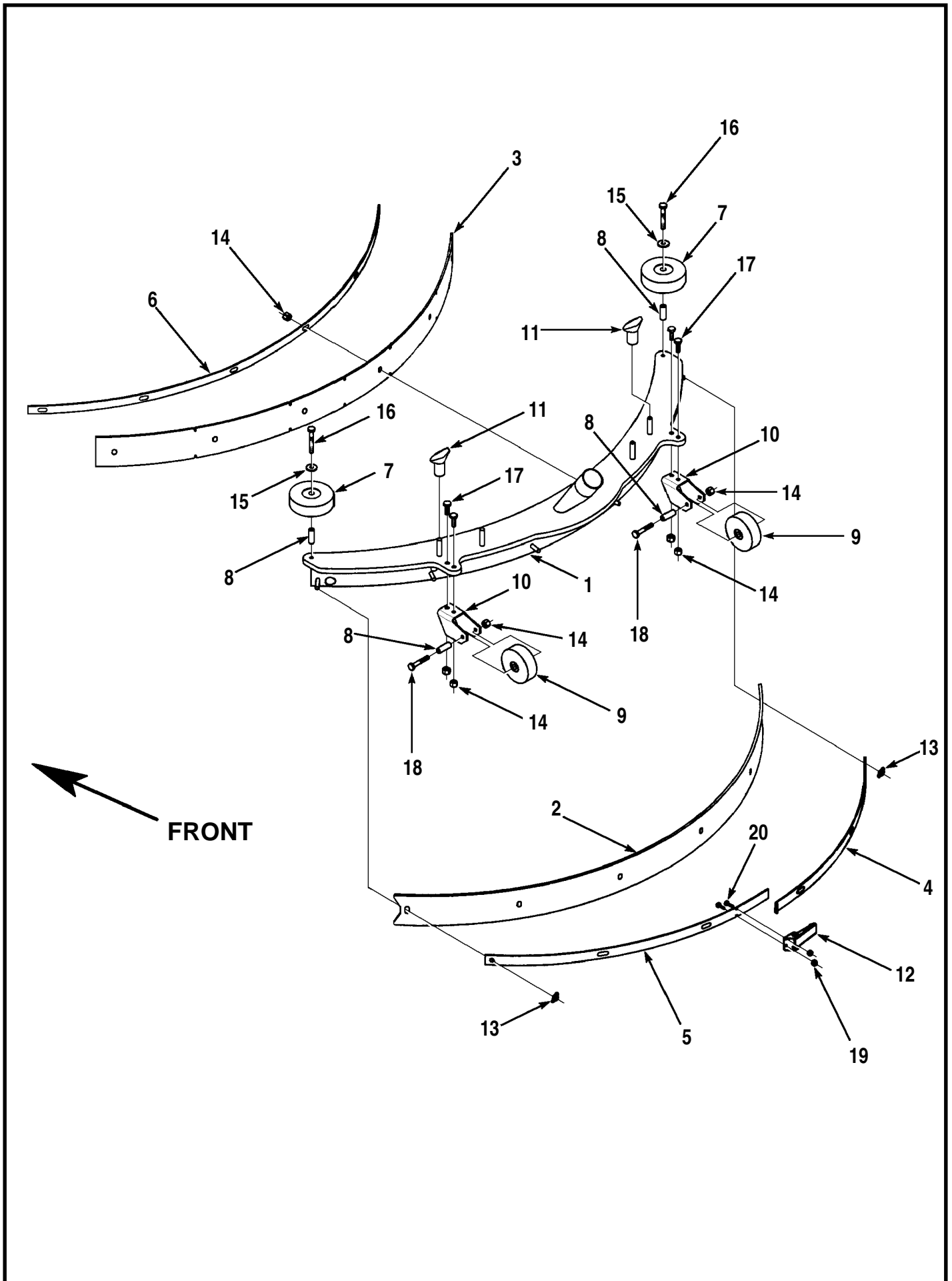


FRONT



# SQUEEGEE MOUNT

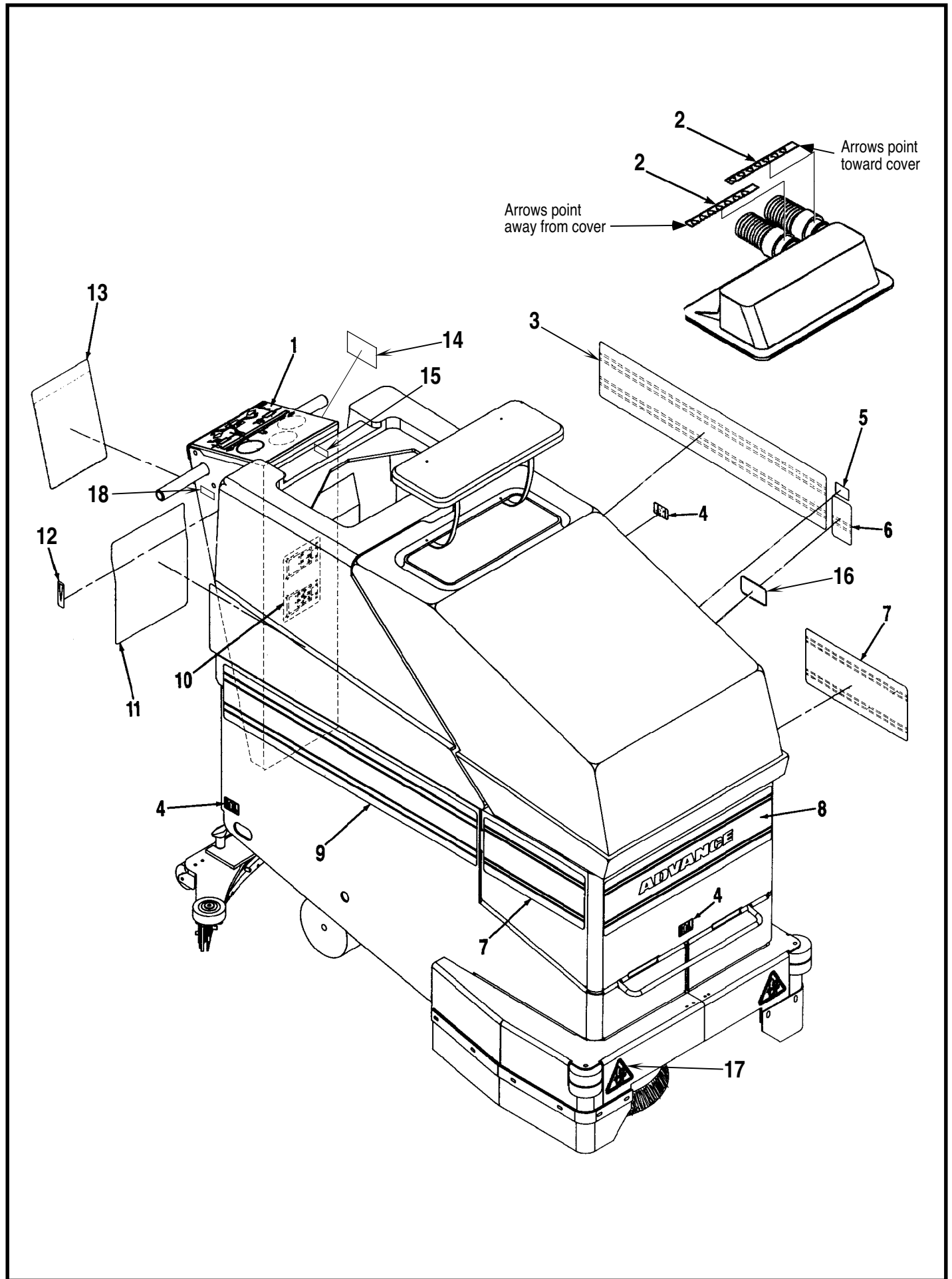
Item	Ref. No.	Qty	Description
1	56001831	2	1/2-13 x 1-1/4 Bolt
2	56001879	2	1/2 Washer
3	56478781	2	Sleeve Bearing
4	56360627	2	Bushing
5	56393292	1	Mount
6	56331076	2	Collar
7	56475480	1	Knob
8	56002931	3	#10-24 x 3/16 Loc Set Screw
9	56002155	1	1/4-20 x 3/4 Screw
10	56387380	1	Half Clevis
11	56002708	1	1/4-20 Nyl Loc Nut
12	56393293	1	Mount
13	56002568	1	3/4-16 Jam Nut
14	56391864	1	Ball Joint
15	56002843	2	1/2-13 Thin Nyl Loc Nut
16	56391855	1	Rod
17	56003015	1	3/8-16 SS Jam Nut
18	56393398	1	Stabilizer Plate



# SQUEEGEE

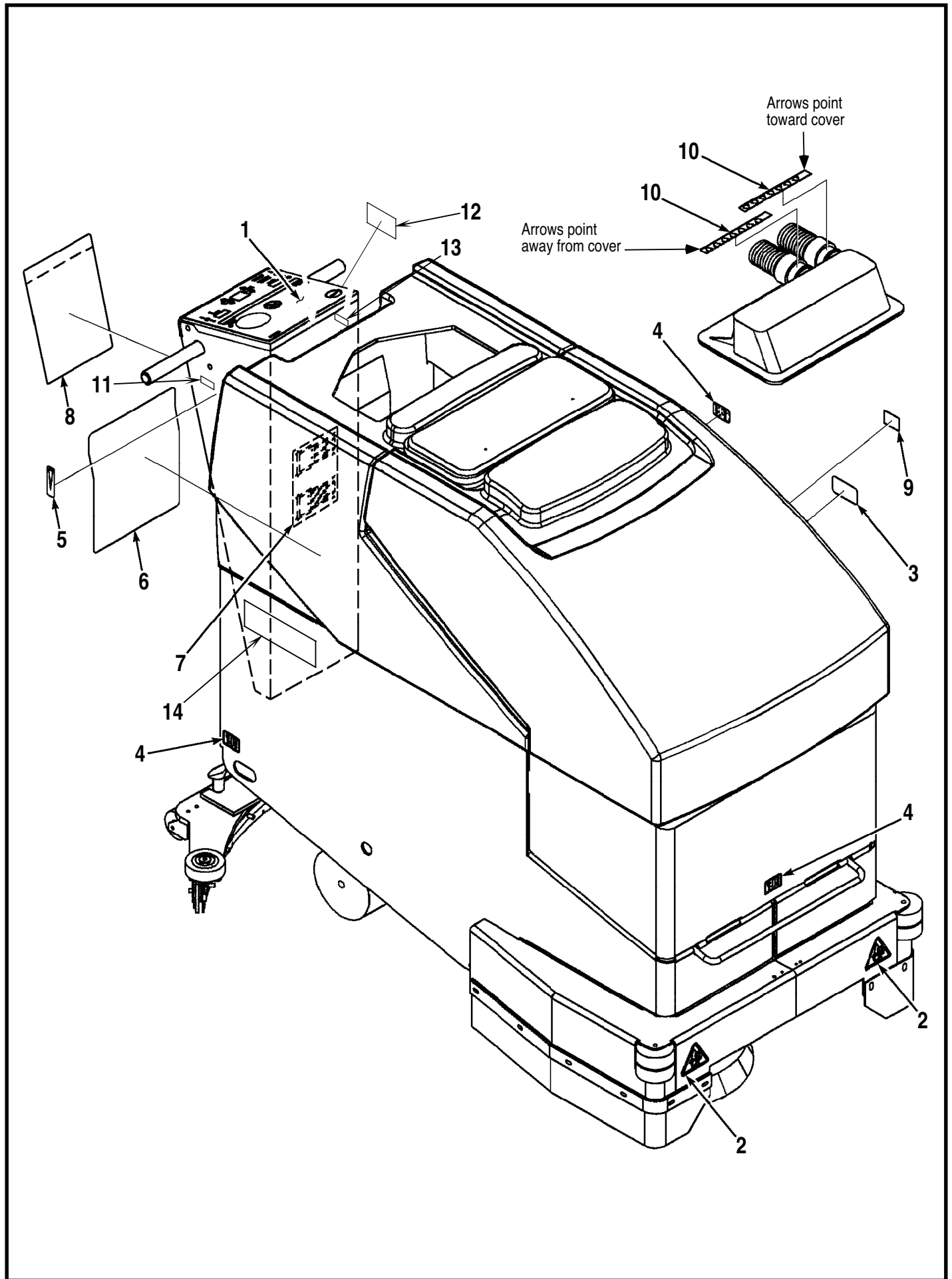
Item	Ref. No.	Qty	Description
	56391339	1	Squeegee Assy (#1-20)
1	56391338	1	Squeegee Tool
2	56391333	1	Main Wiping Blade, Gum Rubber
	56391343	1	Main Wiping Blade, Neoprene
3	56391334	1	Front Blade, Gum Rubber
	56391355	1	Front Blade, Neoprene
4	56391335	1	Right Rear Strap
5	56391336	1	Left Rear Strap
6	56391337	1	Front Strap
7	56324499	2	Wheel
8	56471220	4	Bushing
9	56324350	2	Wheel
10	56409421	2	Wheel Bracket
11	56370711	2	Thumb Nut
12	56471194	1	Latch
13	56002963	2	1/4-20 SS Wing Nut
14	56002850	12	1/4-20 SS Nyl Loc Nut
15	56002859	2	1/4 Flat Washer
16	56002993	2	1/4-20 x 1-1/2 SS Loc Screw
17	56002807	4	1/4-20 x 3/4 SS Screw
18	56002901	2	1/4-20 x 1-1/2 SS Screw
19	56002964	2	#6-32 SS Nyl Loc Nut
20	56002909	2	#6-32 x 3/8 SS Screw
	56391340	1	Standard Blade Kit ( <b>Gum Rubber / #2-3</b> )
	56391342	1	Oil Resistant Blade Kit ( <b>Neoprene / #2-3</b> )

\* = Not Shown



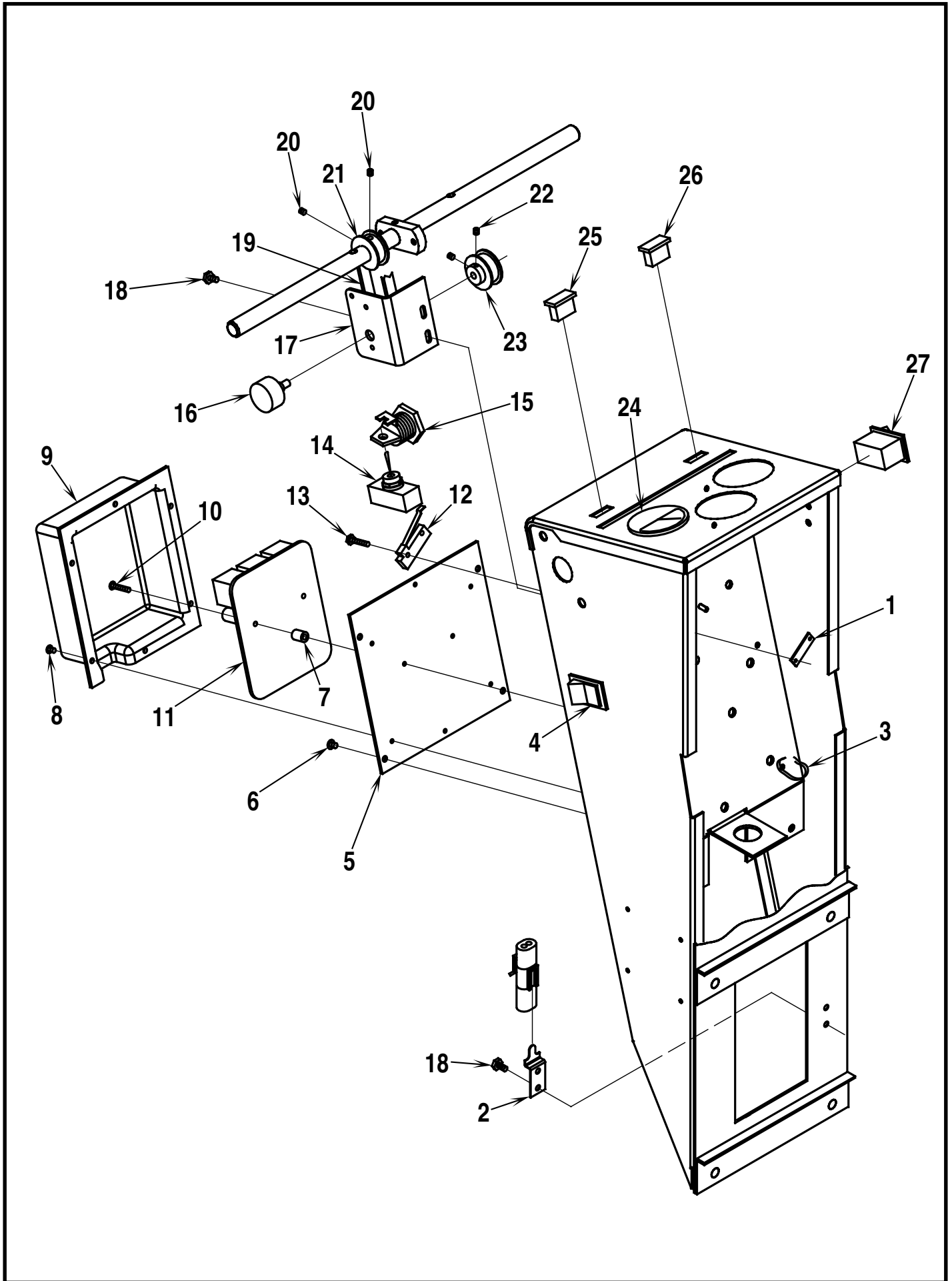
**DECALS - 265LX (265HD before SN 1189105)**

Item	Ref. No.	Qty	Description
1	56015394	1	Decal, Control Panel
2	56015655	2	Decal, Direction
3	56015382	1	Decal, Left Rear Stripe
4	56015370	3	Decal, Tie Down
5	56054192	1	Decal, Charger
6	56015390	1	Decal, Door Stripe
7	56015635	2	Decal, Front Stripe (265 LX)
	56015637	2	Decal, Front Stripe (265 HD)
8	56015392	1	Decal, Front Stripe
9	56015378	1	Decal, Right Rear Stripe
10	56015414	1	Decal, Batteries
11	56015811	1	Decal, Wiring
12	56016334	1	Decal, Solution Valve
13	56014601	1	Decal, Caution
14	56016011	1	Decal, Wear Items
15	56015422	1	Decal, Power
16	56015484	1	Decal, Circuit Breaker
17	56015506	2	Decal, Rotating Brush Hazard
18	56015487	1	Decal, ON-OFF-ON



**DECALS - 265HD (after SN 1189104)**

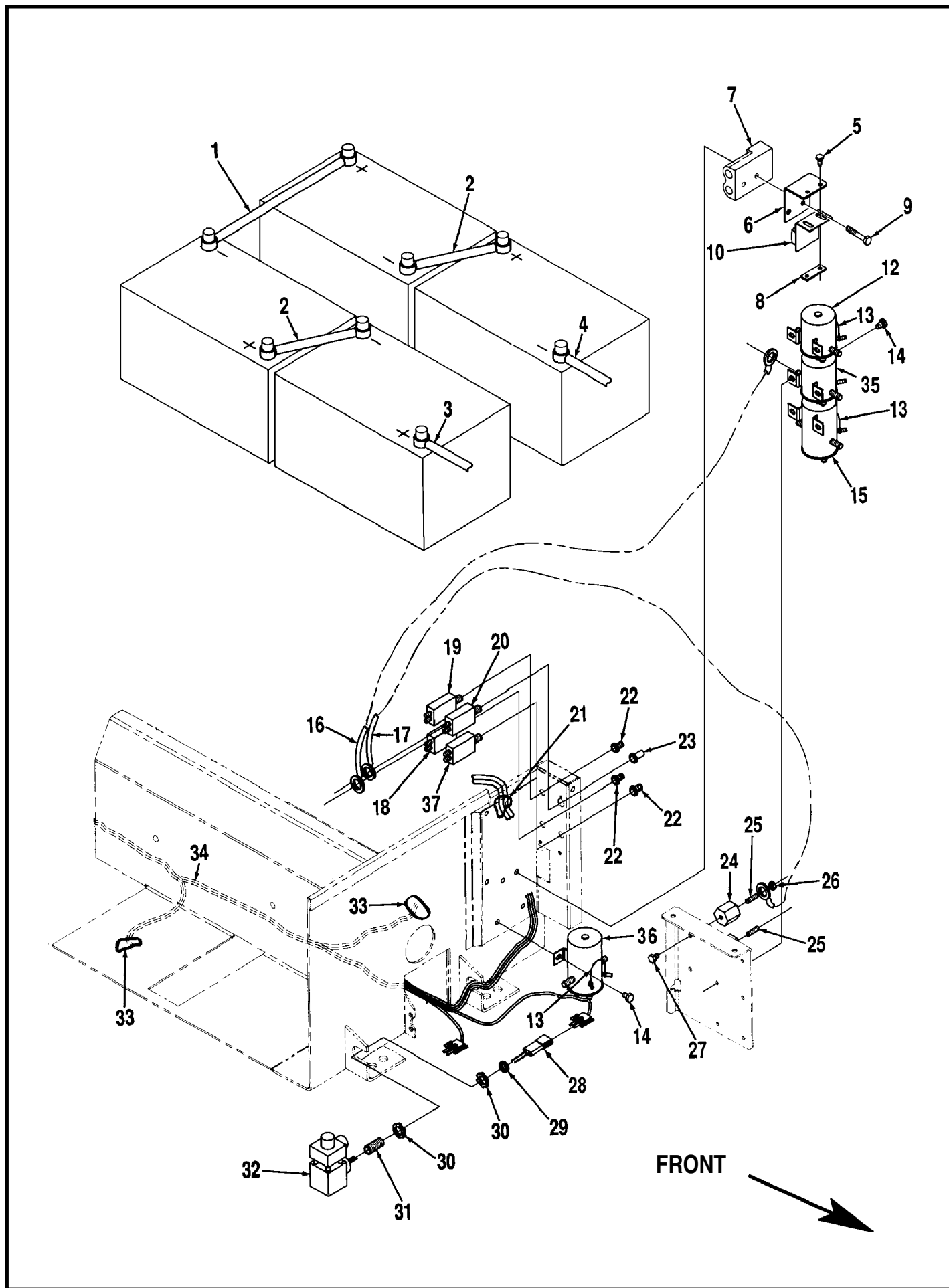
Item	Ref. No.	Qty	Description
1	56015394	1	Decal, Control Panel
2	56015506	2	Decal, Rotating Brush Hazard
3	56015484	1	Decal, Circuit Breaker
4	56015370	3	Decal, Tie Down
5	56016334	1	Decal, Solution Valve
6	56015811	1	Decal, Wiring
7	56015414	1	Decal, Batteries
8	56014601	1	Decal, Caution
9	56054192	1	Decal, Charger
10	56015655	2	Decal, Direction
11	56015487	1	Decal, ON-OFF-ON
12	56016035	1	Decal, Wear Items
13	56015422	1	Decal, Power
14	56015995	2	Decal, 265HD



## HANDLE ELECTRICAL

Item	Ref. No.	Qty	Description
1	56376015	1	Nut Plate
2	56324366	1	Bracket ( <b>only used before SN 1078276</b> )
3	56900753	4	Push Mount Tie
4	56324272	1	Rocker Switch (Solution)
5	56324121	1	Heat Sink
6	56002834	4	Scr, Hex 10-24 x .38
7	56377721	2	Spacer
8	56009051	6	Scr, Pan Phil Thd Form 8-32 x .38
9	56324128	1	Controller Cover
10	56009034	2	Scr, Pan Phil Thd Form 8-32 x .88
11	56324618	1	Speed Control Kit <b>TSB 660, G-11</b>
12	56324362	1	Switch
13	56002809	3	Scr, Hex Hd Loc 6-32 x .88
14	56301636	1	Toggle Switch
15	56393325	1	Key Lock Bracket
*	56393415	1	Replacement Key for 56393325
16	56454740	1	Potentiometer 5K Ohm
17	56324119	1	Bracket
18	56009012	4	Scr, Hex Thd Form 10-24 x .38
19	56324022	1	Belt
20	56009183	2	Scr, Soc Set 10-24 x .19
21	56392859	1	Cog Pulley
22	56009184	2	Scr, Soc Set 8-32 x .25
23	56324513	1	Cog Pulley
24	56389529	1	Battery Meter
*	56492305	2	Rubber Boot
25	56324028	1	Blue Light
26	56389434	1	Green Light
27	56393312	1	Rocker Switch (Brush)

\* = Not Shown

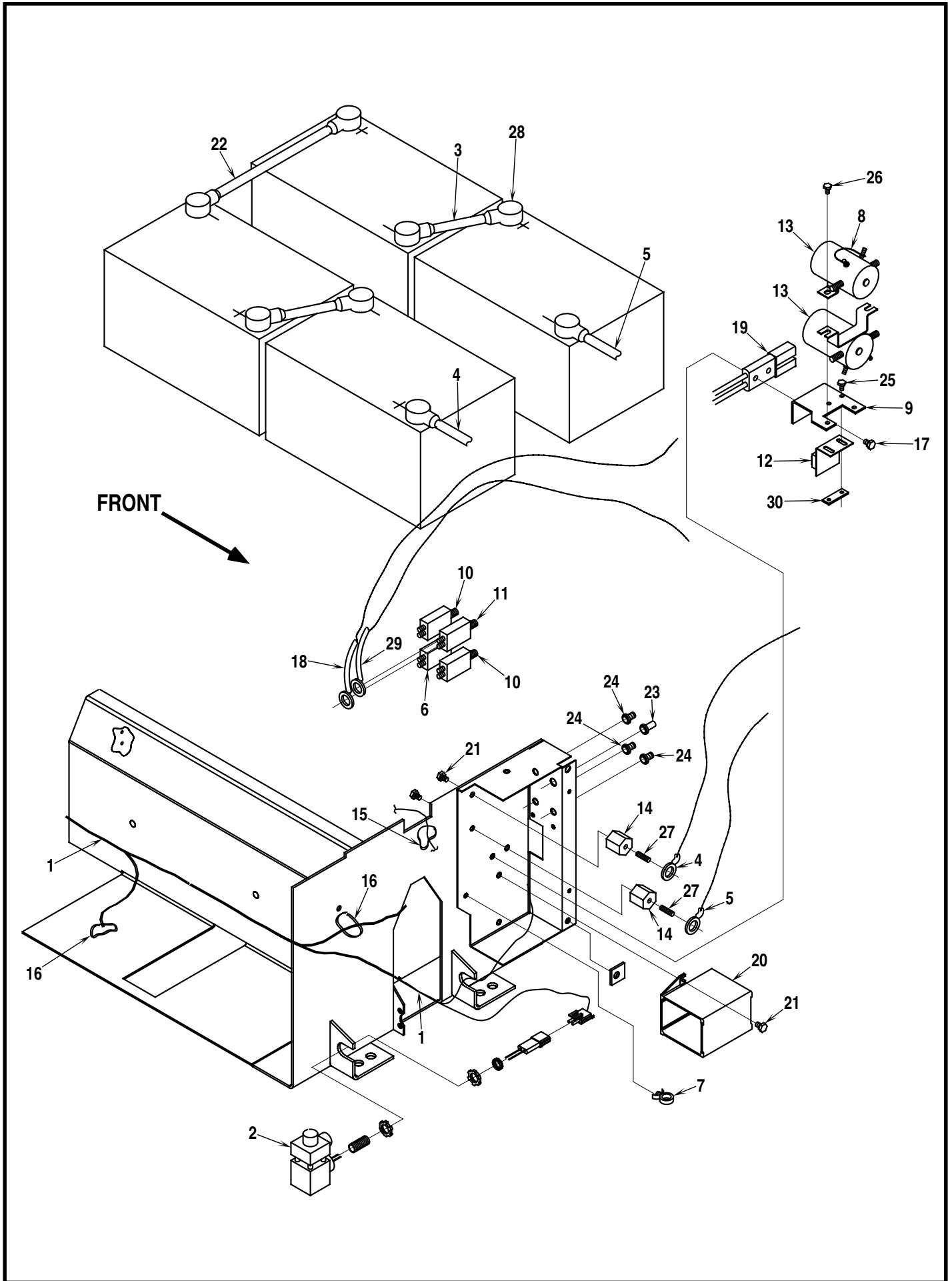


## CHASSIS ELECTRICAL (before SN 1079087)

Item	Ref. No.	Qty	Description
*	56372673	8	Battery Terminal Boot
**	56376014	4	Battery 6V, 244 Amp Hour
**	56372947	1	Automatic Battery Charger 24V-20A for 244 AH Batteries
**	56391391	4	Battery 6V, 305 Amp Hour
**	56388109	1	Automatic Battery Charger 24V-25A for 305 AH Batteries
1	56363936	1	Battery Cable
2	56363928	2	Battery Cable
3	56372524	1	Battery Cable
4	56372526	1	Battery Cable
5	56002926	3	#10-24 x 3/8 Loc Screw
6	56393582	1	Switch Bracket
7	56100621	1	Charger Plug
8	56324310	1	Nut Plate
9	56001833	2	1/4-20 x 1-1/2 Screw
10	56462362	1	Charger Interlock Switch
11			<b>Intentionally Omitted</b>
12	56468358	1	Vacuum Motor Solenoid
13	56389265	3	Diode Assembly
14	56002530	8	1/4-20 x 3/8 HP-5 Screw
15	56263261	1	Down Solenoid
16	56393379	1	Cable
17	56393380	1	Cable
18	56387328	1	5 Amp Control Circuit Breaker
19	56395454	1	20 Amp Vacuum Motor Circuit Breaker
20	56454429	1	70 Amp Brush Motor Circuit Breaker
21	56478246	20	Cable Tie
22	56459367	3	Button Boot
23	56459369	1	Button Boot
24	56469858	2	Insulated Stand-Off
25	56150274	2	1/4-20 x 7/8 Stud
26	56002040	2	1/4-20 Jam Nut
*	56001803	2	1/4 Shakeproof Washer
27	56002933	2	1/4-20 x 3/8 Loc Screw
28	56462360	1	Connector
29	56324251	1	Insulating Bushing
30	56171094	2	1/2 Lock Nut
31	56324250	1	Conduit
32	56324247	1	Solenoid Valve
33	56900753	4	Push Mount Tie
34	56393318	1	Wiring Harness
35	56468358	1	Brush Motor Solenoid
36	56263261	1	Up Solenoid
37	56395454	1	20 Amp Wheel Motor Circuit Breaker

\* = Not Shown

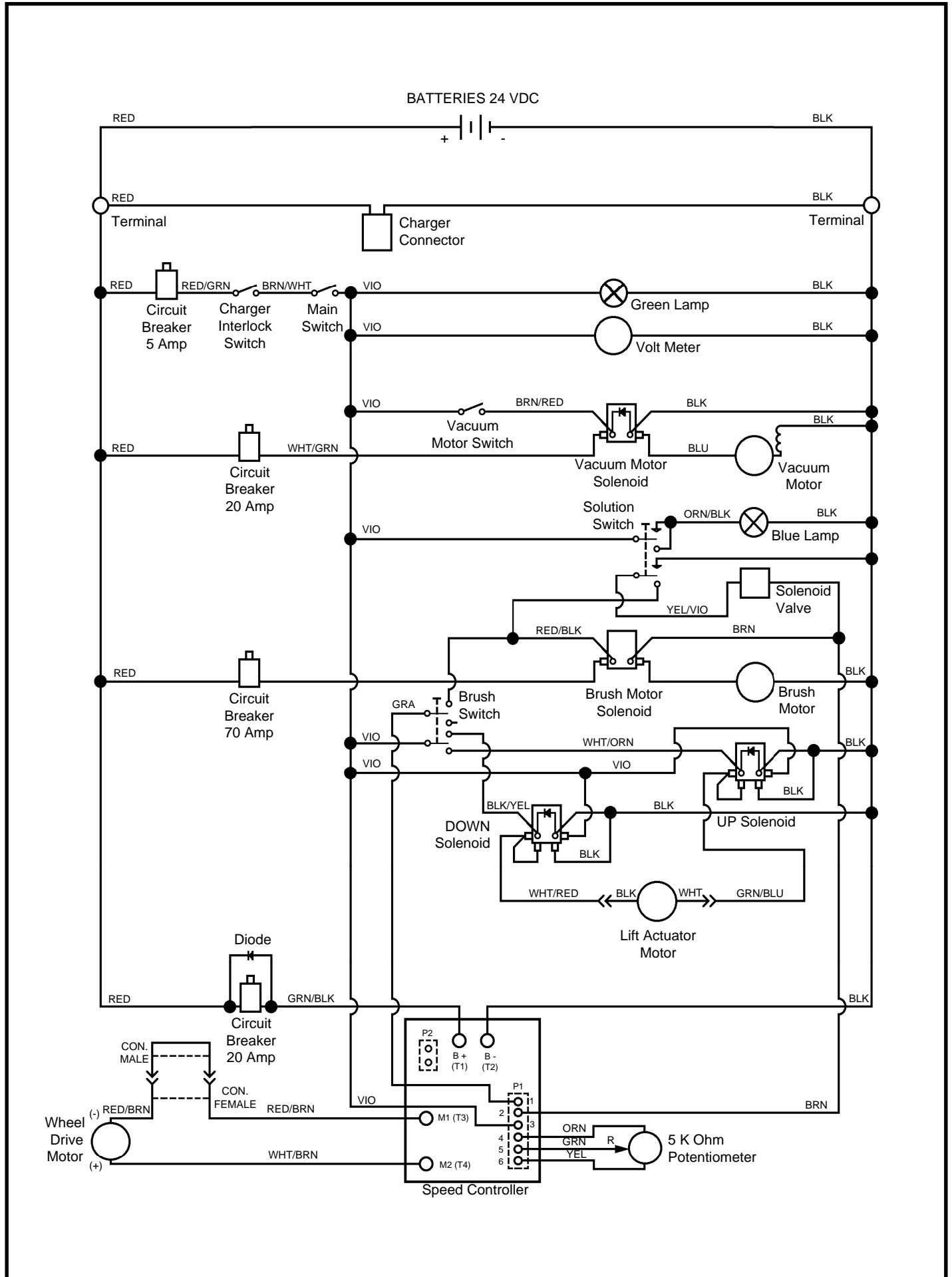
\*\* = Optional Accessory, not included



## CHASSIS ELECTRICAL (after SN 1079086)

Item	Ref. No.	Qty	Description
**	56376014	4	Battery 6V, 244 Amp Hour
**	56372947	1	Automatic Battery Charger 24V-20A for 244 AH Batteries
**	56391391	4	Battery 6V, 305 Amp Hour
**	56388109	1	Automatic Battery Charger 24V-25A for 305 AH Batteries
1	56393779	1	Wiring Harness
2	56324247	1	Solenoid Valve Assy
3	56363928	2	Battery Cable
4	56372524	1	Battery Cable
5	56372526	1	Battery Cable
6	56387328	1	Circuit Breaker, 5 Amp
7	56393471	1	Clip
8	56389265	2	Diode Assy
9	56393781	1	Bracket, switch
10	56395454	2	Circuit Breaker, 20 Amp
11	56454429	1	Circuit Breaker, 70 Amp
12	56462362	1	Switch Assy (charger interlock)
13	56468358	2	Solenoid
14	56469858	2	Stand-off, Insulated
15	56478246	20	Cable Ties
16	56900753	4	Tie, Pushmount
17	56001833	2	Scr, Hex Hd 1/4-20 x 1.50
18	56393786	1	Wire Assy
19	56393782	1	Charger Plug Assy
20	56392174	1	Actuator Control Module
21	56002933	4	Scr, Hex Loc 1/4-20 x .38
22	56363936	1	Cable, Battery 4 x 15
23	56459369	1	Boot, Reset Button
24	56459367	3	Boot, Reset Button
25	56002926	2	Scr, Hex Hd Loc 10-24 x .38
26	56009019	2	Scr, Hex Thd Form 1/4-20 x .38
27	56150274	2	Stud, 1/4-20 x .88
28	56372673	8	Battery Cable Boot
29	56393783	1	Wire Assy
30	56324310	1	Nut Plate

\*\* = Optional Accessory, Not Included



## WIRING DIAGRAM (before SN 1079087)

Ref. No.	Qty	Description
56376014	4	Battery 6V, 244 Amp Hour (not included)
56372947	1	Automatic Battery Charger 24V-20A for 244 AH Batteries
56391391	4	Battery 6V, 305 Amp Hour (not included)
56388109	1	Automatic Battery Charger 24V-25A for 305 AH Batteries
56372526	1	Battery Cable, Negative
56372524	1	Battery Cable, Positive
56324028	1	Blue Lamp
56393493	1	Brush Motor
56468358	1	Brush Motor Solenoid
56393312	1	Brush Switch
56100621	1	Charger Connector
56462362	1	Charger Interlock Switch
56387328	1	Circuit Breaker 5 Amp (Control Circuit)
56395454	1	Circuit Breaker 20 Amp (Vacuum Motor)
56454429	1	Circuit Breaker 70 Amp (Brush Motor)
56395454	1	Circuit Breaker 20 Amp (Wheel Drive)
56462360	1	Connector Male
56462361	1	Connector Female
56389265	3	Diode
56263261	1	Down Solenoid
56389434	1	Green Lamp
56393303	1	Lift Actuator Motor
56301636	1	Main Switch (key switch)
56454740	1	Potentiometer 5K Ohm
56324272	1	Solution Switch
56324247	1	Solenoid Valve
56324618	1	Speed Control Kit
56150274	2	Terminal
56263261	1	Up Solenoid
56324189	1	Vacuum Motor
56468358	1	Vacuum Motor Solenoid
56324362	1	Vacuum Motor Switch
56389528	1	Battery Meter
56263253	1	Wheel Drive Motor



## WIRING DIAGRAM (after SN 1079086)

Item	Ref. No.	Qty	Description
A1	56324618	1	Speed Control Kit <b>TSB 660, G-11</b>
BT	56376014	4	Battery 6V, 244AH
	56391391	4	Battery 6V, 305AH
D1	56389265	1	Suppression Diode
D2	56389265	1	Suppression Diode
E1	56392174	1	Actuator Control Module
F1	56387328	1	Circuit Breaker 5 Amp (aux. circuit)
F2	56395454	1	Circuit Breaker 20 Amp (wheel drive)
F3	56395454	1	Circuit Breaker 20 Amp (vacuum motor)
F4	56454429	1	Circuit Breaker 70 Amp (brush motor)
H1	56389434	1	Main Power Indicator (green)
H2	56324028	1	Solution Indicator (blue)
K1	56468358	1	Vacuum Motor Solenoid
K2	56468358	1	Brush Motor Solenoid
L1	56324247	1	Solution Solenoid Valve
M1	56324189	1	Vacuum Motor
M2	56393493	1	Brush Motor
M3	56263253	1	Wheel Drive Motor
M4	56393303	1	Brush Lift Actuator Motor
P	56389529	1	Voltmeter
R	56454740	1	Potentiometer 5K Ohm
S1	56462362	1	Charger Interlock Switch
S2	56301636	1	Main Power Switch
S3	56324362	1	Vacuum Switch
S4	56393312	1	Brush Switch
S5	56324272	1	Solution Switch
X1			Positive Main Terminal
X2			Negative Main Terminal
X3	56393782	1	Charger Connector
X6			Charger Interlock Switch Connector
X7			Solution Valve Connector
X8			Vacuum Module Connector
X9			Speed Controller Connector
X10			Actuator Motor Connector
X11			Actuator Control Module Connector



Nilfisk-Advance, Inc.  
14600 21st Avenue North  
Plymouth, MN, 55447-3408  
[www.nilfisk-advance.com](http://www.nilfisk-advance.com)  
Phone: 800-989-2235  
Fax: 800-989-6566  
©2000 Nilfisk-Advance, Inc.,  
Plymouth, MN 55447-3408  
Printed in the U.S.A.