



Electronic Service Manuals

This electronic document is provided as a service to our customers. We do not create the contents of the information contained in this document. Should you have detailed questions pertaining to the information contained in this document, you may contact Michco, or the manufacturer which provided the original information in this electronic deliverable. Michco's only part in this electronic deliverable was the electronic assembly process.

You may contact Michco through the following methods:
Phone (517) 484-9312 or (800) 331-3339 MI, OH, IN only
2011 N. High St. -- Lansing, Michigan -- 48906
Fax: (517) 484-9836
Email: CustServ@Michco.com
Web site: www.Michco.Com
Parts Web site: www.FloorMachineParts.Com

Order Parts on Line at:
www.FloorMachineParts.Com

Directly to Parts & Service:
By Email: **Shop@Michco.com**
By Fax: (517) 702-2041
By Voice: Use numbers above.

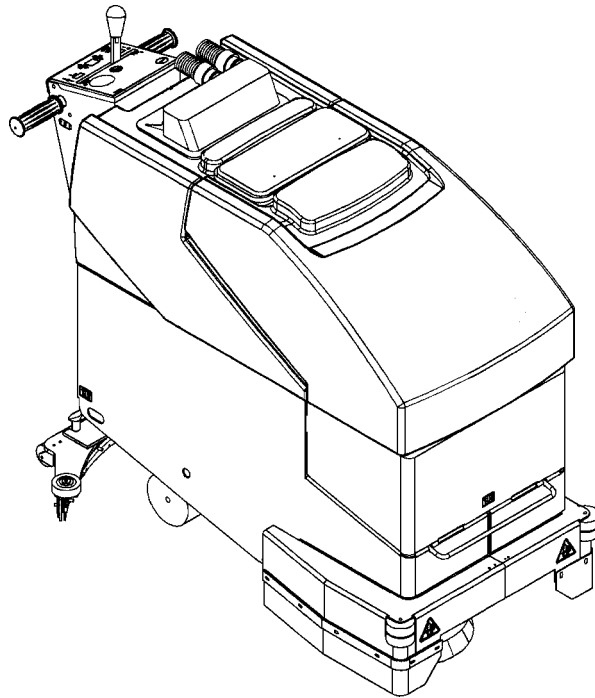
Serving the Cleaning Industry Since 1922

Notice: All copyrighted material remains property of original owners, all trademarks are property of respective owners. Manuals are subject to Manufacturer's reproduction limitations. Originals or reproductions were provided by manufacturers through a request. We make no warranty as to the correctness of information provided in this document and you assume all risk.

Convertamatic™ 240LX

Hydro-Retriever™ 240HD

BA 600



PARTS LIST

**Advance MODELS 56393320(240LX), 56393350(240LX-J)
56393365(240HD)**

Nilfisk MODEL 56393750(BA 600)

All models covered in this manual are OBSOLETE.



**Nilfisk
Advance**

setting standards

12/94 revised 9/02 FORM NO. 56042292
BOOK E SECTION 4.6.1

DESCRIPTION	PAGE
HANDLE SYSTEM	E-4.6.1-5
CHASSIS SYSTEM-1	E-4.6.1-7
CHASSIS SYSTEM-2	E-4.6.1-9
SKIRT SYSTEMS	E-4.6.1-11
VACUUM MOTOR SYSTEM (before SN 1083938)	E-4.6.1-13
VACUUM MOTOR SYSTEM (after SN 1083937)	E-4.6.1-15
BRUSH DRIVE SYSTEM - BRUSH LIFT	E-4.6.1-17
BRUSH DRIVE SYSTEM - GEARCASE	E-4.6.1-19
WHEEL/TRACTION DRIVE SYSTEM	E-4.6.1-21
SOLUTION SYSTEM-240LX (240HD before SN 1192764)	E-4.6.1-23
SOLUTION SYSTEM-BA 600 (240HD after SN 1192763)	E-4.6.1-25
RECOVERY SYSTEM-240LX (240HD before SN 1192764)	E-4.6.1-27
RECOVERY SYSTEM-BA 600 (240HD after SN 1192763)	E-4.6.1-29
SQUEEGEE SYSTEM-240LX / 240HD / BA 600	E-4.6.1-31
SQUEEGEE SYSTEM-240LX-JAPAN	E-4.6.1-33
DECAL SYSTEM-240LX (240HD before SN 1192764)	E-4.6.1-35
DECAL SYSTEM-BA 600 (240HD after SN 1192763)	E-4.6.1-37
HANDLE ELECTRICAL SYSTEM	E-4.6.1-39
CHASSIS ELECTRICAL SYSTEM-1	E-4.6.1-41
CHASSIS ELECTRICAL SYSTEM-2	E-4.6.1-43
WIRING DIAGRAM-1	E-4.6.1-45
WIRING DIAGRAM-2	E-4.6.1-47
BRUSH / DISC SELECTOR GUIDE	E-4.6.1-48

WHEN ORDERING PARTS

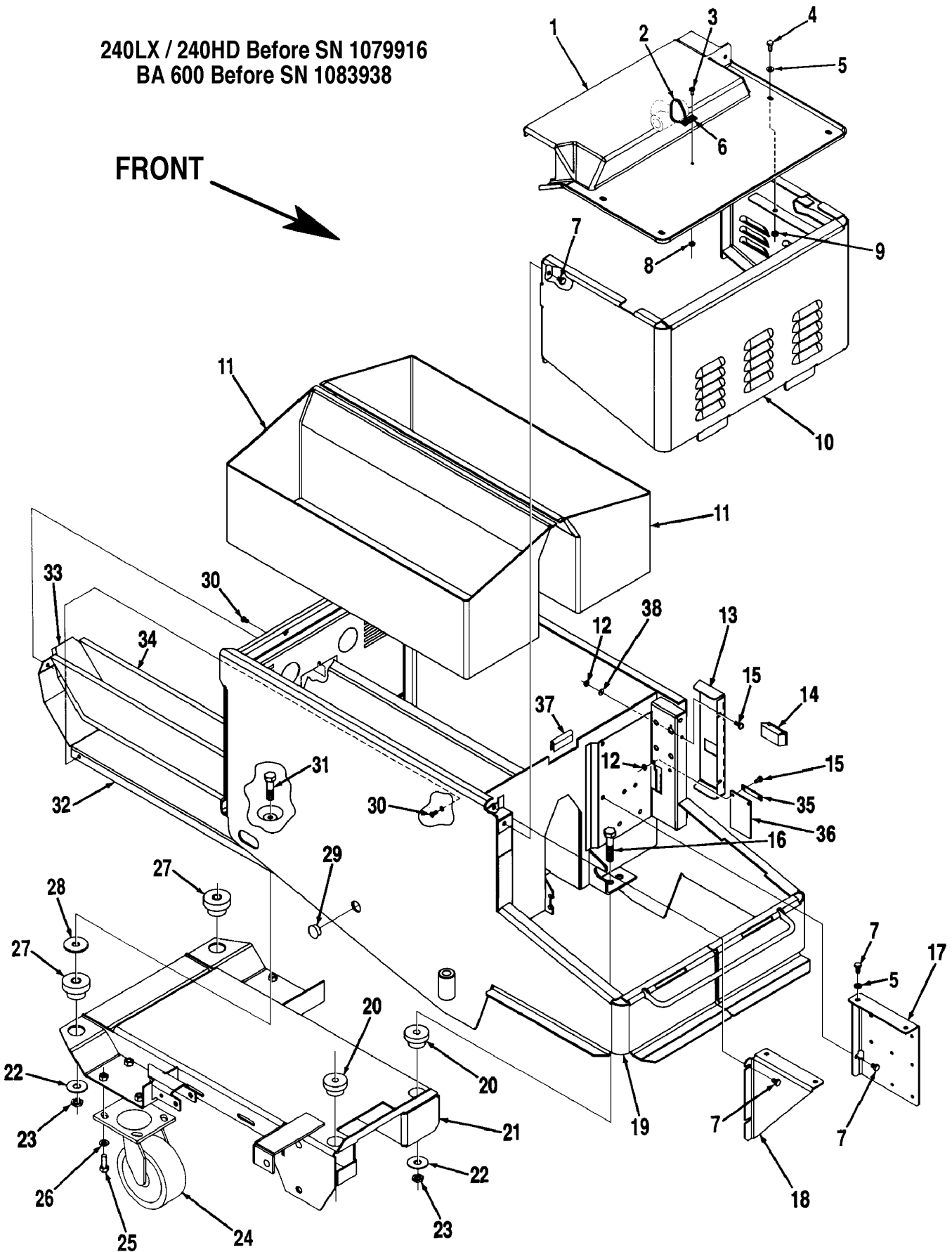
- * Use the 8 digit numbers from the "Ref. No." columns in this parts list.
- * Specify the model and serial number of the machine.
- * Use the space below to record the model and serial number for future reference.

Model _____ Serial No. _____

Item	Ref. No.	Qty	Description
1	56324111	1	Handle
2	56002667	4	5/16-18 x 3/4 Screw
3	56002701	8	5/16-18 Lock Nut
4	56002768	4	#10-24 Nyl Loc Nut
5	56324130	1	Cover
6	56009012	6	#10-24 x 3/8 HP-5 Screw
7	56324349	2	Hook
8	56002099	2	#10-24 x 5/8 Screw
9	56388545	2	Grip
10	56324120	2	Handle Tube
11	56002832	3	#10-24 Thin Nyl Loc Nut
12	56393264	2	Bearing
13	56320595	4	Bushing
14	56002794	4	5/16-18 x 1 Screw
15	56002840	6	1/4-20 Lock Nut
16	56200972	2	Sleeve Bearing
17	56324361	1	Actuator
18	56003214	3	Screw
19	56324132	1	Stop Bracket
20	56009025	4	1/4 Flat Washer
21	56163872	1	Bushing
22	56393299	1	Strap
23	56471220	1	Spacer
24	56393304	1	Lift Cable (240LX, 240HD, BA 600)
	56393305	1	Lift Cable (240LX-J)
25	56001836	1	1/4-20 x 5/8 Screw
26	56002093	3	1/4-20 x 1 Screw
27	56364527	1	Knob
28	56324129	1	Handle Weldment
29	56206784	1	Bushing
30	56009096	1	Washer
31	56002926	1	#10-24 x 3/8 Screw
32	56393296	1	Arm
33	56384708	1	Step Bushing
34	56001833	1	1/4-20 x 1-3/4 Screw
35	56324133	1	Spring Lever
36	56009084	2	#10-24 x .19 Loc Set Screw
37	56324033	1	Spring
38	56324131	1	Bar
39	56900144	1	Plug Button
40	56180030	2	Capacitor Clamp
41	56491648	1	Flange Bearing
42	56015592	2	Decal, Cover
43	56002503	2	#10-24 x 1/2 Screw
44	56393394	1	Cover
45	56002155	1	1/4-20 x 3/4 Screw
46	56324195	2	Grommet (240LX-J)

240LX / 240HD Before SN 1079916
BA 600 Before SN 1083938

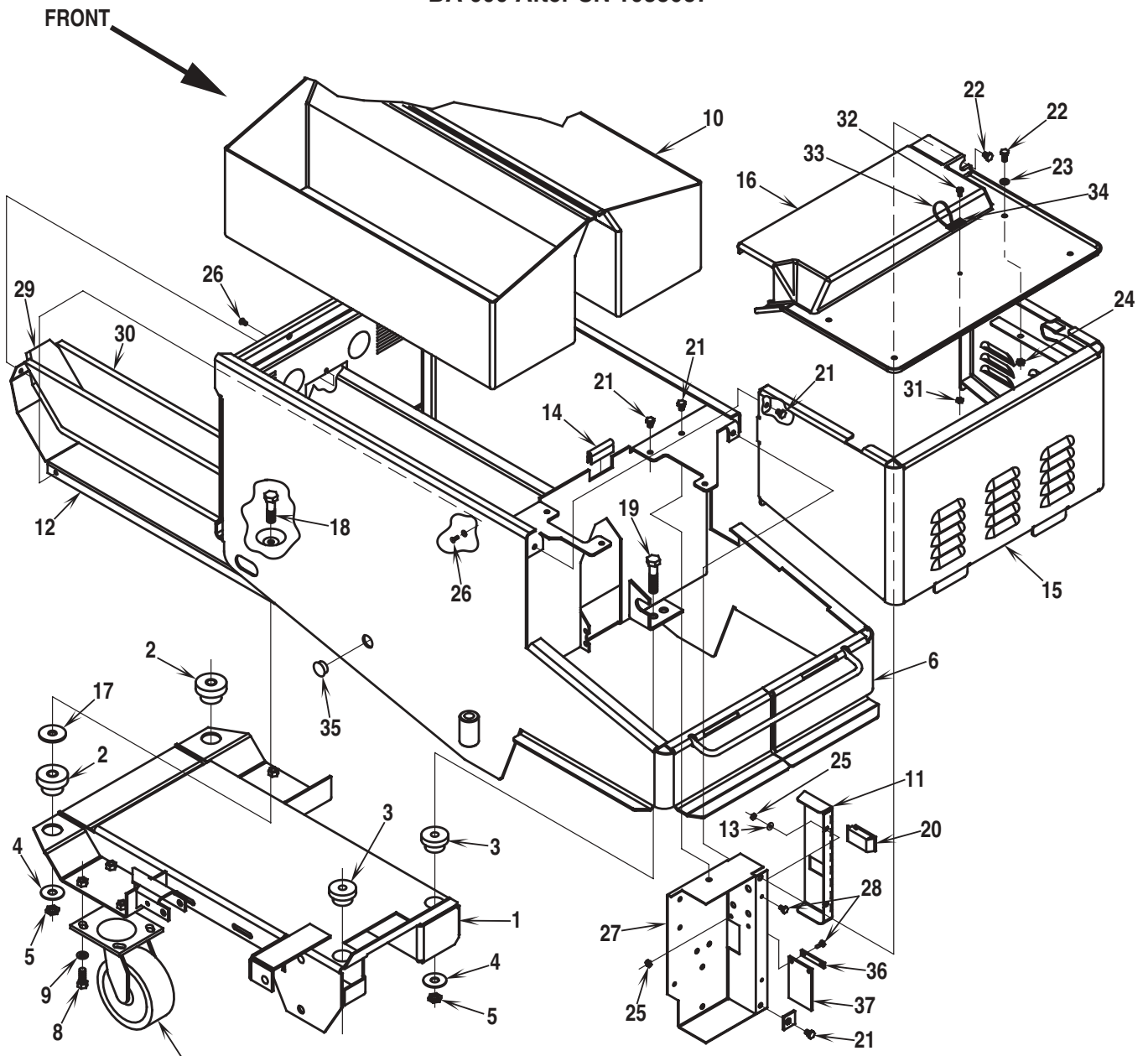
FRONT



Item	Ref. No.	Qty	Description
1	56393353	1	Cover (240's before SN0577029)
	56393660	1	Cover (240's after SN0577028 & all BA 600)
2	56478246	1	Cable Tie
3	56002896	1	#10-24 x 5/8 Screw
4	56002155	4	1/4-20 x 3/4 Screw
5	56002098	4	1/4 Flat Washer
6	56469832	1	Anchor Tie
7	56003039	6	1/4-20 x 1/2 Screw
8	56002936	1	#10-24 SS Nyl Loc Nut
9	56002708	4	1/4-20 Nyl Loc Nut
10	56393334	1	Front Panel
11	56393355	2	Battery Tray
12	56002832	4	#10-24 Thin Nyl Loc Nut
13	56393362	1	Door
14	56393358	1	Latch
15	56002503	4	#10-24 x 1/2 Screw
16	56001920	2	1/2-13 x 2-1/4 Bolt
17	56393356	1	Bracket
18	56393359	1	Bracket
19	56393319	1	Chassis
20	56393283	2	Isolation Mount
21	56393245	1	Base
22	56480742	4	Washer
23	56002770	4	1/2-13 Nyl Loc Nut
24	56440450	2	Caster, Swivel
*	56503007	A/R	Wheel (for caster, swivel)
25	56002947	8	3/8-16 x 1 Screw
26	56002063	8	3/8 Flat Washer
27	56478685	2	Isolator Mount
28	56393348	2	Washer
29	56756358	1	Plug Button
30	56009065	5	#10-24 x 1/2 Screw
31	56001995	2	1/2-13 x 1-3/4 Bolt
32	56393333	1	Baffle Plate
33	56393388	1	Foam
34	56393387	2	Foam
35	56324085	1	Strap
36	56324086	1	Flap
37	56261397	2"	Gasket (5.14 cm)

* = Not Shown

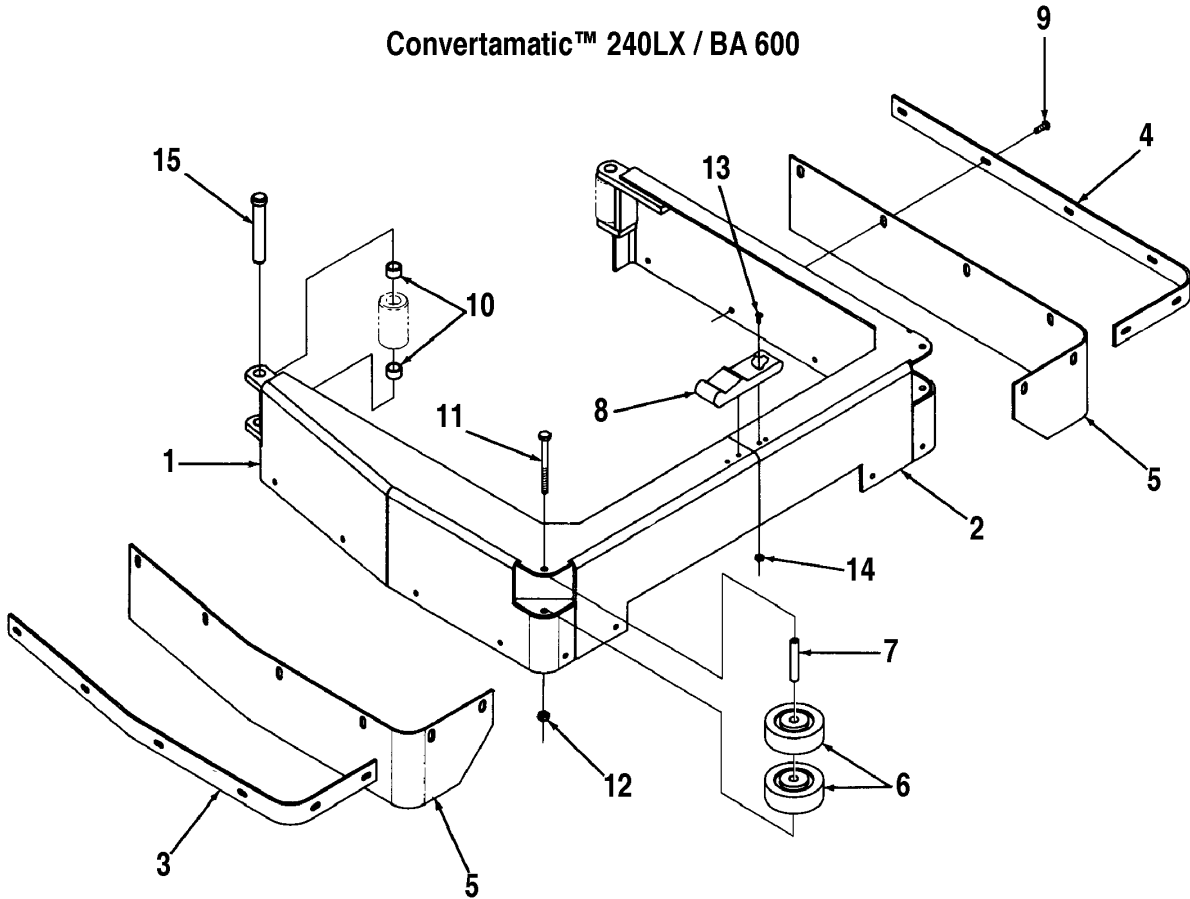
240LX / 240HD After SN 1079915
BA 600 After SN 1083937



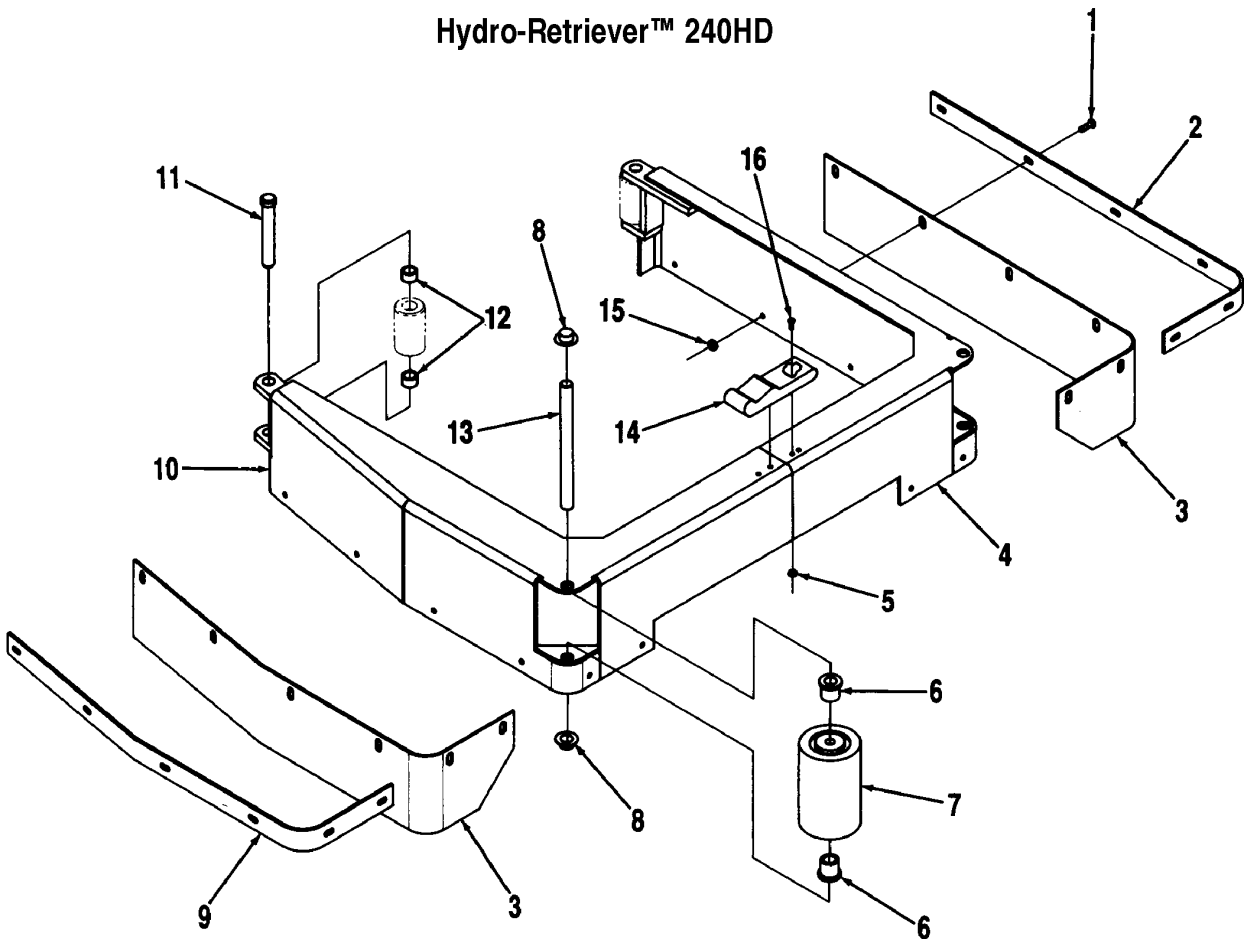
Item	Ref. No.	Qty	Description
1	56393245	1	Base Weld't
2	56478685	2	Isolater Mount
3	56393283	2	Isolater Mount
4	56009216	4	Wsh, Flt .53 x 1.50 x .07
5	56002770	4	Nut, Hex Nyl Loc 1/2-13
6	56393319	1	Chassis Weld't
7	56440450	2	Caster
	56503007	A/R	Wheel (for 56440450 Caster)
8	56002947	8	Scr, Hex Hd Loc 3/8-16 x 1.00
9	56002063	8	Wsh, Flt SAE 3/8
10	56393355	2	Tray, Battery
11	56393362	1	Door Weld't
12	56393333	1	Baffle Plate
13	56001954	2	Wsh, Flt SAE #10
14	56261397	2"	Gasket (5.14cm)
15	56393334	1	Front Panel Weld't
16	56393660	1	Cover
17	56009215	2	Washer
18	56002983	2	Scr, Hex 1/2-13 x 2.00
19	56001920	2	Scr, Hex Hd 1/2-13 x 2.25
20	56393358	1	Latch
21	56003039	8	Scr, Hex Loc 1/4-20 x .50
22	56002155	4	Scr, Hex 1/4-20 x .75
23	56002098	9	Wsh, Flt SAE 1/4
24	56002708	4	Nut, Hex Nyl Loc 1/4-20
25	56002832	4	Nut, Hex Nyl Loc-Thin 10-24
26	56009065	5	Scr, Flt Phil Thd Form 10-24 x .50
27	56393472	1	Panel, Electrical
28	56002503	4	Scr, Hex 10-24 x .50
29	56393388	1	Foam, Accoustical
30	56393387	2	Foam, Accoustical
31	56002849	1	Nut, Hex Nyl Loc SS 10-24
32	56002896	1	Scr, Pan Phil SS 10-24 x .62
33	56478246	1	Cable Tie
34	56469832	1	Tie, Anchor Mount
35	56756358	1	Plug, Button
36	56324085	1	Strap
37	56324086	1	Flap
*	56409837	1	Battery Spacer
*	56409838	1	Battery Spacer

* = Not Shown

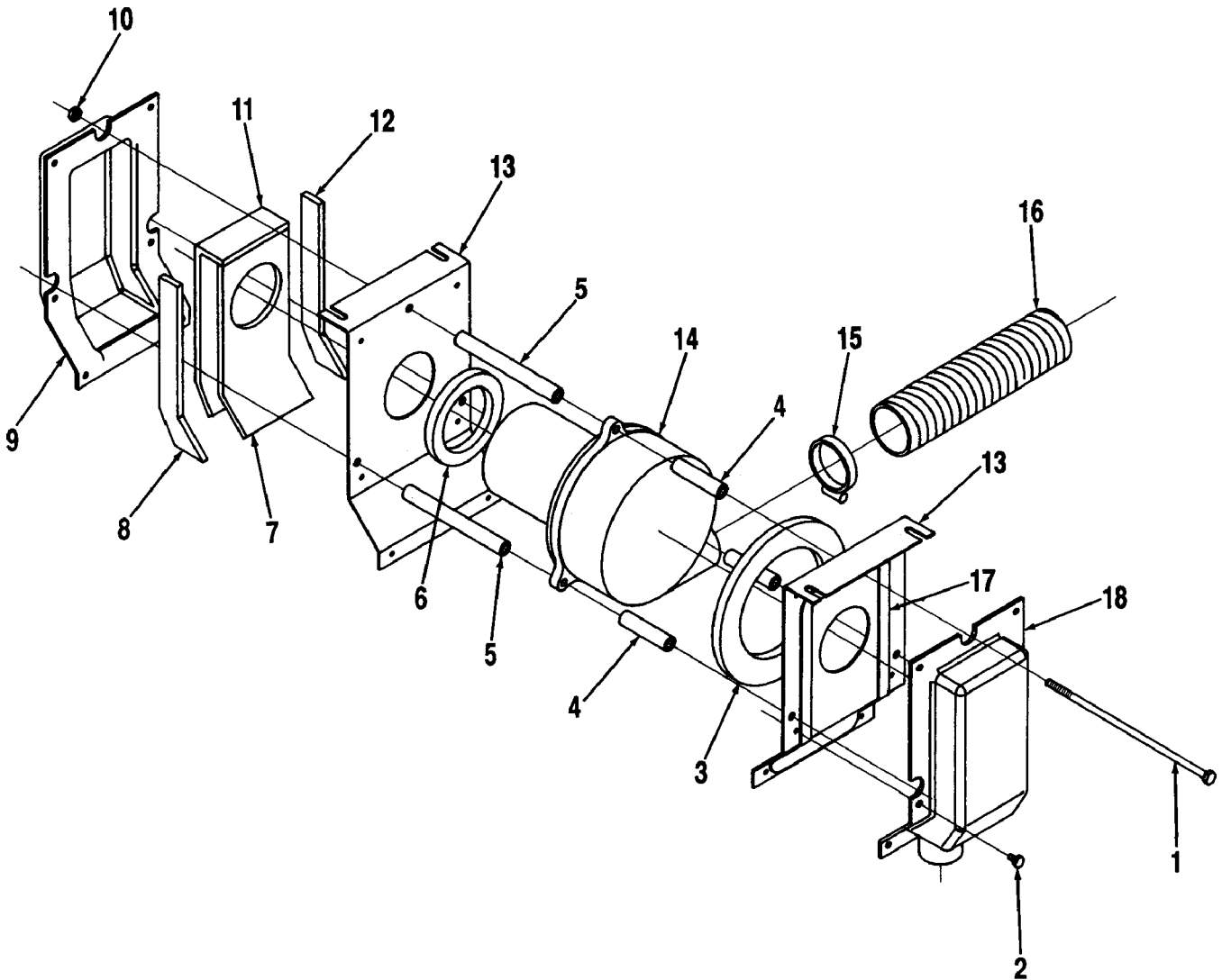
Convertamatic™ 240LX / BA 600



Hydro-Retriever™ 240HD



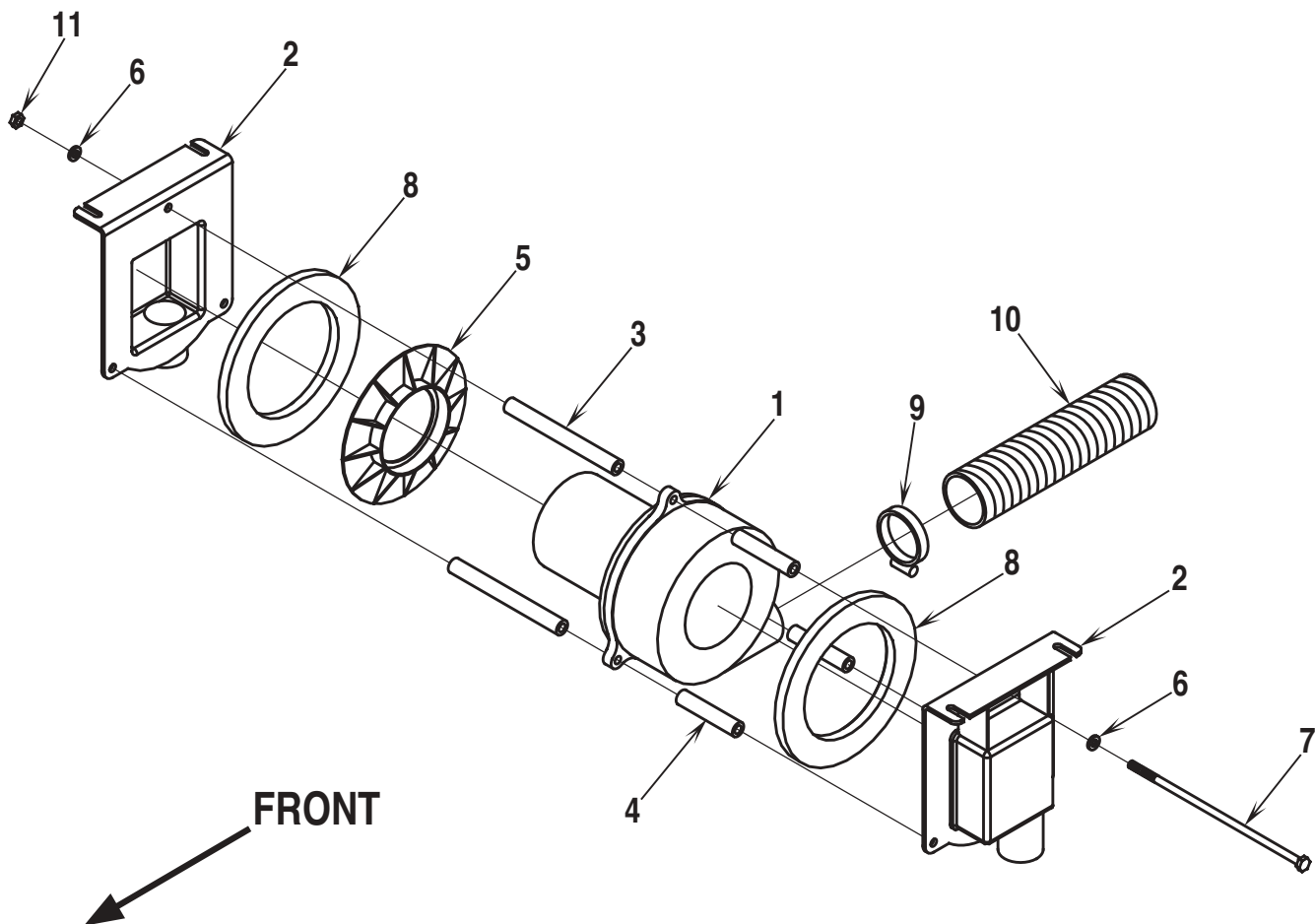
Item	Ref. No.	Qty	Description	Item	Ref. No.	Qty	Description
			Convertamatic™ 240LX / BA 600				Hydro-Retriever™ 240HD
1	56393765	1	Right Skirt Housing BA 600	1	56002896	12	#10-24 x .62 Screw
	56393313	1	Right Skirt Housing 240LX	2	56393393	1	Left Strap
2	56393764	1	Left Skirt Housing BA 600	3	56377872	2	Rubber Skirt
	56393314	1	Left Skirt Housing 240LX	4	56393364	1	Left Splash Guard
3	56393309	1	Right Strap	5	56002964	4	#6-32 Lock Nut
4	56393393	1	Left Strap	6	56111503	4	Flange Bearing
5	56377872	2	Rubber Guard	7	56376540	2	Roller
6	56324350	4	Wheel	8	56376544	4	Stud Cap
7	56386823	2	Bushing	9	56393309	1	Right Strap
8	56462316	1	Latch	10	56393363	1	Right Splash Guard
9	56009014	12	Scr, Hex Thd Form 10-24 x .50	11	56360147	2	Pin
10	56366633	4	Bushing	12	56366633	4	Bushing
11	56002397	2	1/4-20 x 2-3/4 Screw	13	56393372	2	Rod
12	56002491	2	1/4-20 SS Nyl Loc Nut	14	56462316	1	Latch
13	56002909	4	#6-32 x 3/8 SS Screw	15	56002849	12	#10-24 Lock Nut
14	56002964	4	#6-32 SS Thin Nyl Loc Nut	16	56002909	4	#6-32 x .38 Screw
15	56360147	2	Pin				



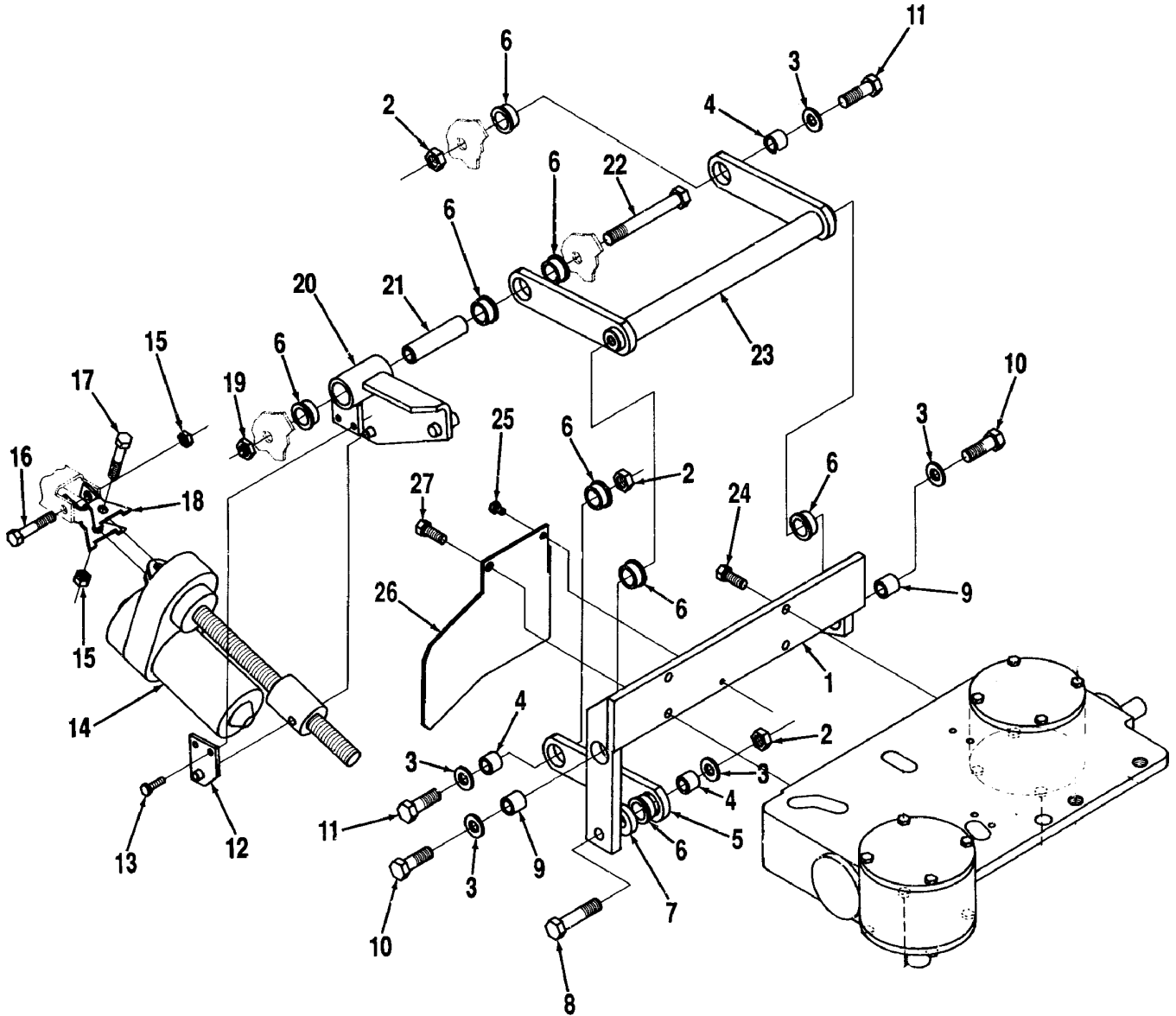
FRONT
←

Item	Ref. No.	Qty	Description
1	56002776	3	1/4-20 x 8 Screw
2	56002519	12	#10-24 x 3/8 Screw
3	56385437	1	Gasket
4	56324095	3	Spacer
5	56324094	3	Spacer
6	56324040	1	Gasket
7	56324102	1	Foam
8	56324100	1	Foam
9	56324092	1	Intake Shroud
10	56002708	3	1/4-20 Lock Nut
11	56324101	1	Foam
12	56324099	1	Foam
13	56324098	2	Bracket
14	56324189	1	Vacuum Motor
*	56503003	1	Carbon Brush Set for Vacuum Motor
15	56440213	1	Hose Clamp
16	56385599	1	Hose
17	56200754	5'	Gasket (1.5 m)
18	56324097	1	Shroud

* = Not Shown



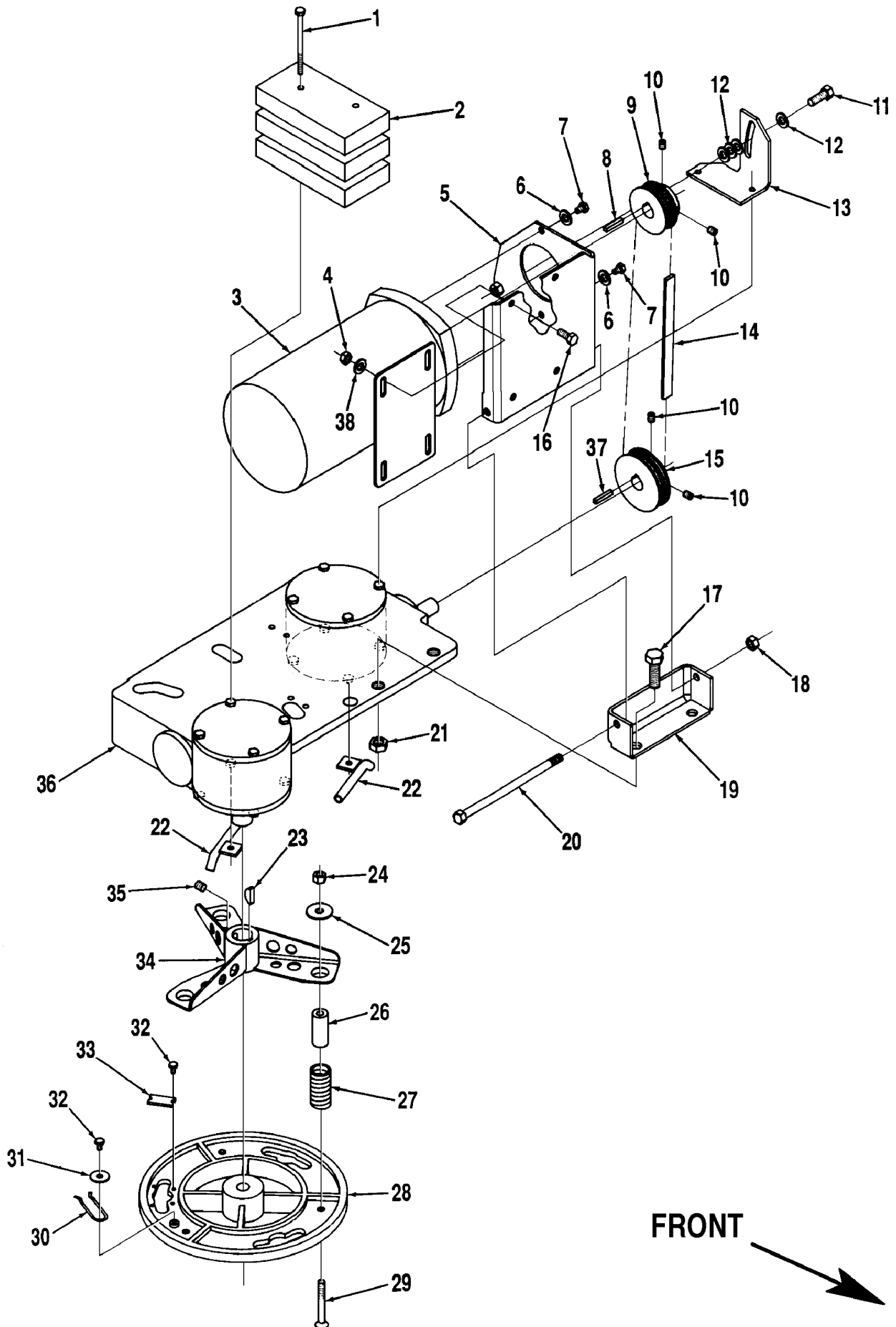
Item	Ref. No.	Qty	Description
1	56324189	1	Vacuum Motor
*	56503003	1	Carbon Brush Set for 56324189
2	56324458	2	Shroud
3	56324461	3	Spacer
4	56324462	3	Spacer
5	56324459	1	Flange
6	56002098	6	Wsh, Flt SAE 1/4
7	56002776	3	Scr, Hex Hd 1/4-20 x 8.00
8	56385437	2	Gasket
9	56440213	1	Hose Clamp
10	56385599	1	Hose
11	56002708	3	Nut, Hex Nyl Loc 1/4-20



FRONT
→

Item	Ref. No.	Qty	Description
1	56393246	1	Mount
2	56002770	3	1/2-13 Nyl Loc Nut
3	56001879	5	1/2 Flat Washer
4	56393281	3	Bushing
5	56393271	1	Arm
6	56250414	8	Flange Bearing
7	56393273	1	Spacer
8	56001920	1	1/2-13 x 2.25 Bolt
9	56393272	2	Bushing
10	56002954	2	1/2-13 x 1.50 Bolt
11	56001968	2	1/2-13 x 1.50 Bolt
12	56393258	1	Arm
13	56002922	2	1/4-20 x 5/8 Screw
14	56393303	1	Actuator
*	56470433	1	Carbon Brush kit
*	56393790	2	Replacement Limit Switch
*	56388520	1	Replacement Plastic Drive Nut
15	56002841	2	3/8-16 Thin Nyl Loc Nut
16	56002091	1	3/8-16 x 2 Screw
17	56002684	1	3/8-16 x 1-3/4 Screw
18	56392454	1	Yoke
19	56002843	1	1/2-13 Thin Nyl Loc Nut
20	56393253	1	Lift Arm
21	56393274	1	Bushing
22	56002961	1	1/2-13 x 4 Bolt
23	56393250	1	Arm
24	56002947	3	3/8-16 x 1 Screw
25	56009033	1	1/4-20 x .50 HP-5 Screw
26	56393275	1	Splash Plate
27	56003029	1	Scr, Hex Loc 3/8-16 x 1.25

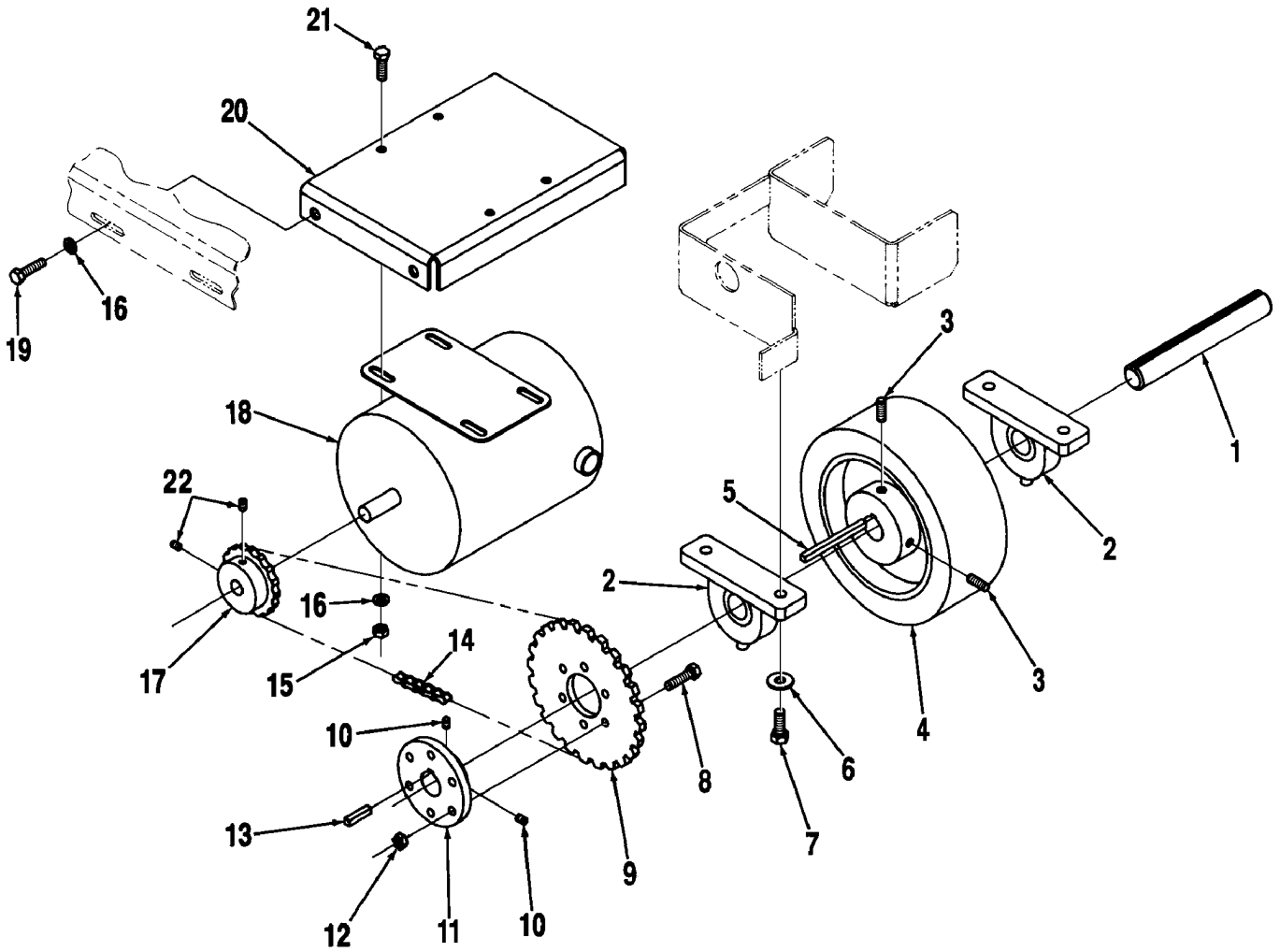
* = Not Shown



Item	Ref. No.	Qty	Description
1	56002986	2	1/4-20 x 3-3/4 Screw
2	56391839	3	Weight
3	56393493	1	Brush Drive Motor
*	56393494	1	Carbon Brush Set for Brush Drive Motor (pkg of 4)
4	56002701	4	5/16-18 Nyl Loc Nut
5	56393391	1	Motor Mount
6	56002098	2	1/4 Flat Washer
7	56003039	2	1/4-20 x 1/2 Loc Screw
8	56367958	1	Key TSB 612
9	56372626	1	Pulley
10	56002021	4	5/16-18 x 3/8 Set Screw
11	56002947	1	3/8-16 x 1 Bolt
12	56002063	4	3/8 Flat Washer
13	56393278	1	Mount
14	56327476	1	Belt
15	56372889	1	Pulley TSB 612 (240's before SN 600060)
	56372891	1	Pulley (240's after SN 600059 & all BA 600)
16	56002667	4	5/16-18 x 3/4 Bolt
17	56001968	2	1/2-13 x 1-1/2 Bolt
18	56002769	1	3/8-16 Nyl Loc Nut
19	56393282	1	Mount
20	56003044	1	3/8-16 x 6-1/2 Bolt
21	56002770	2	1/2-13 Nyl Loc Nut
22	56393260	2	Tube
23	56378291	2	Key
24	56002856	6	5/16-18 Nyl Loc Nut
25	56009094	6	Washer
26	56392530	6	Spacer
27	56392513	6	Spring
28	56391611	2	Brush Holder
29	56002965	6	5/16-18 x 2-1/2 Bolt
30	56366463	2	Retainer Spring
31	56203874	2	Washer
32	56009012	6	#10-24 x 3/8 Screw
33	56366455	2	Plate
34	56392396	2	Drive Adapter
35	56002953	2	3/8-16 x 3/8 Set Screw
36	56393404	1	Gear Case Assembly TSB 612
37	56367958	1	Key (240's before SN 600060)
	56378704	1	Key (240's after SN 600059 & all BA 600)
38	56001939	4	5/16 Flat Washer
**	56371668	2	Level-Set Pad Holder
**	56505750	2	Short-Trim Pad Holder
**	56505751	2	Magna-Grit™ 46 Brush
**	56505752	2	Dyna-Grit™ 80 Brush
**	56505753	2	Ag-lite Grit™ 500 Brush
**	56505754	2	Prolene Brush
**	56505755	2	Prolite™ Brush
**	56505756	2	Union Mix Brush
**	56505757	2	MidGrit™ 240 Brush
**	56505758	2	MidLite™ 180 Brush

* = Repair Part, not included

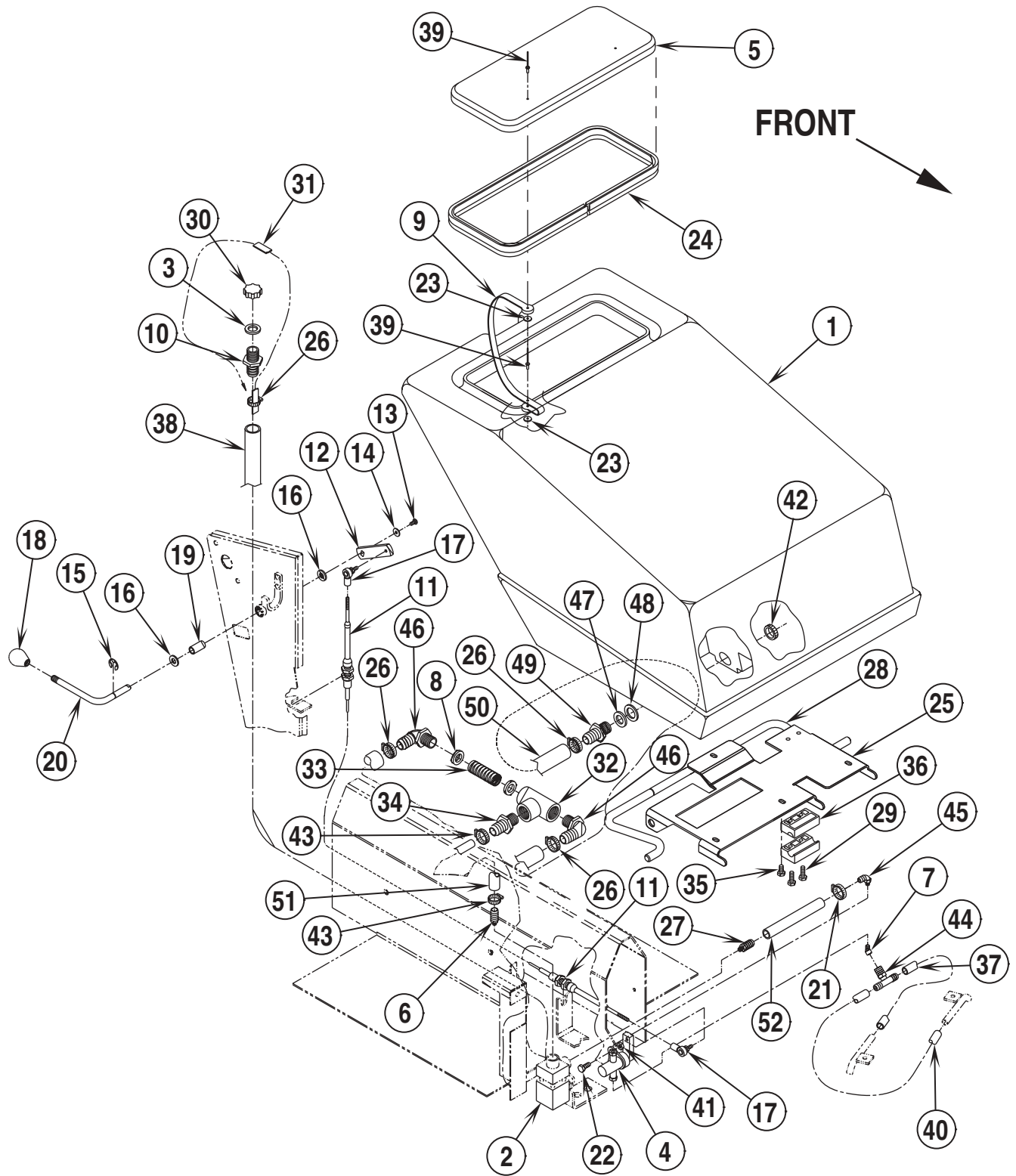
** = Optional Accessory, not included



FRONT
→

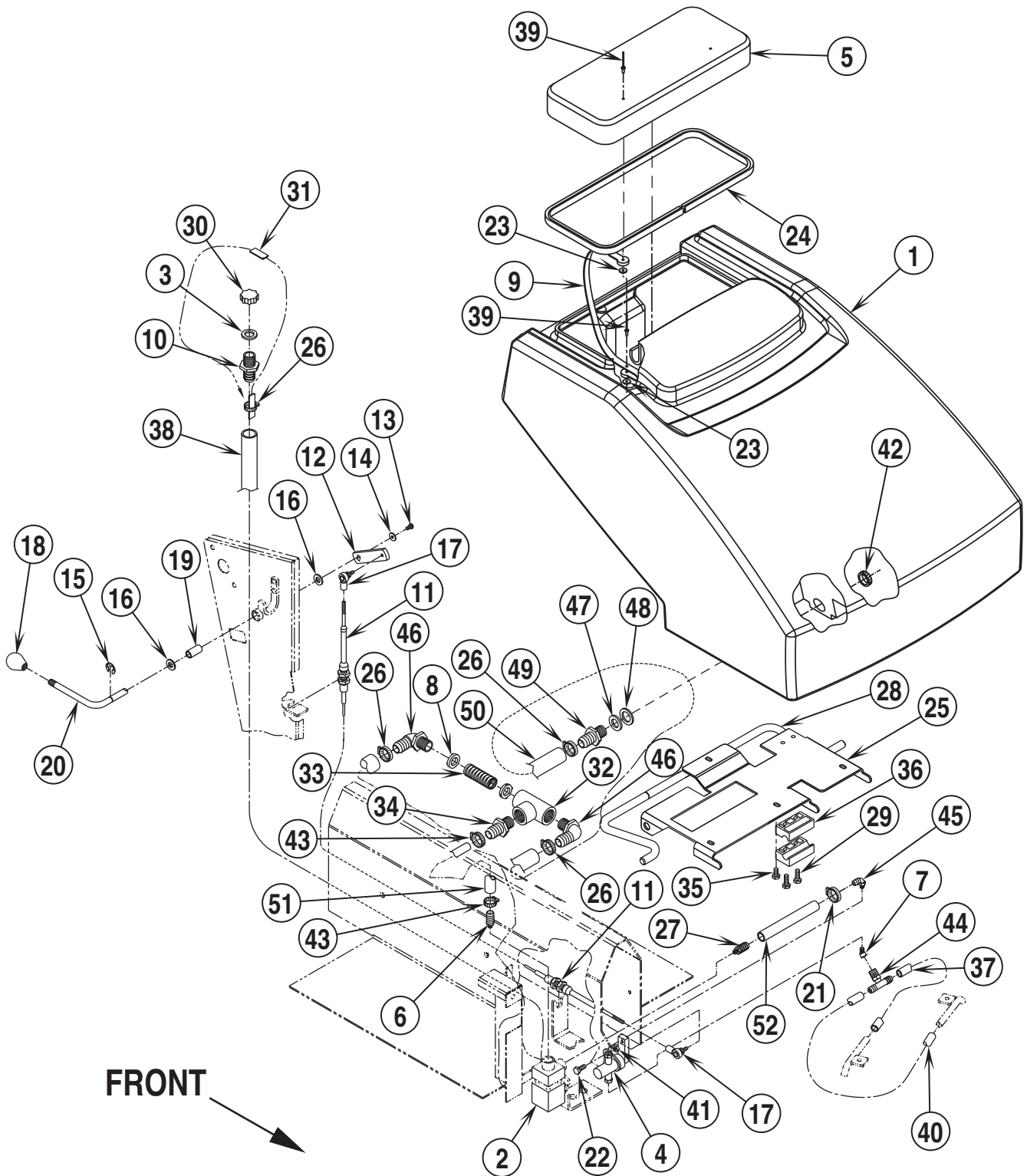
Item	Ref. No.	Qty	Description
1	56393110	1	Drive Shaft
2	56444308	2	Pillow Block
3	56001826	2	5/16-18 x 1/2 Loc Set Screw
4	56393213	1	Wheel (240 LX, 240 HD, BA 600)
	56393673	1	Drive Wheel Assy (#1, 3, 5 & 56393213)
	56393327	1	Wheel (240 LX-J)
	56393733	1	Drive Wheel Assy (#1, 3, 5 & 56393327)
5	56261230	1	Key
6	56385358	4	Washer
7	56003029	4	3/8-16 x 1-1/4 Loc Bolt
8	56002913	6	5/16-18 x 1 SS Bolt
9	56261020	1	Sprocket
10	56002021	1	5/16-18 x .38 Loc Set Screw
11	56261223	1	Adapter
12	56002851	6	5/16-18 SS Nyl Loc Nut
13	56378704	1	Key
14	56393172	1	Chain
15	56002701	4	5/16-18 Nyl Loc Nut
16	56001939	8	5/16 Flat Washer
17	56393164	1	Sprocket
18	56263253	1	Wheel Drive Motor
*	56503023	1	Carbon Brush Set for Wheel Drive Motor
19	56002956	4	5/16-18 x 3/4 Bolt
20	56393262	1	Motor Mount
21	56002667	4	5/16-18 x 3/4 Bolt
22	56001896	2	1/4-20 x 5/8 Loc Set Screw

* = Repair Part, not included



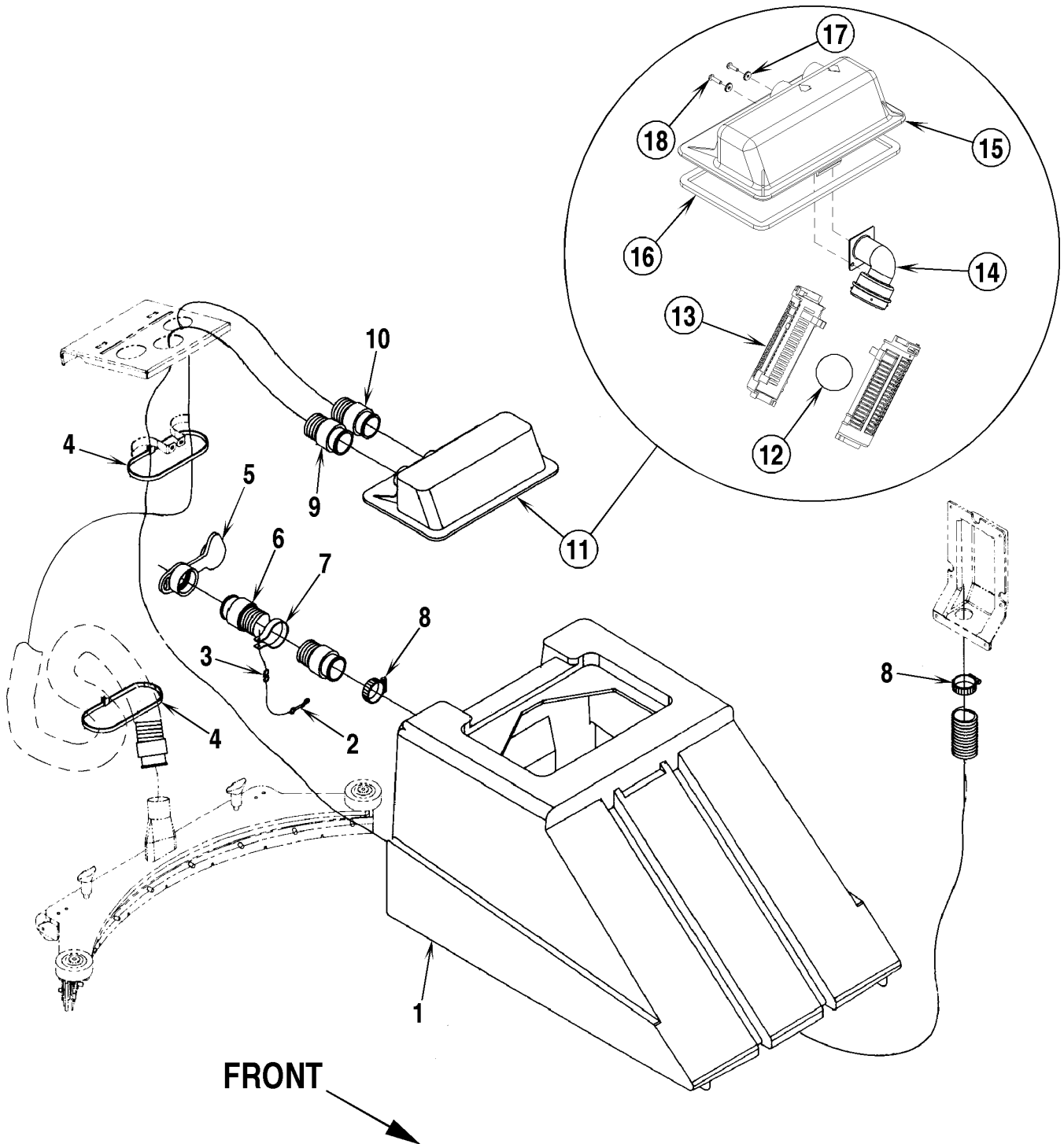
Item	Ref. No.	Qty	Description
1	56393378	1	Solution Tank
2	56324247	1	Solenoid Valve
*	56324506	1	Viton Seal Kit (for PN 56324247)
*	56324507	1	EPDM Seal Kit (for PN 56324247)
3	56368776	1	Washer, Rubber
4	56393789	1	Valve, 2-Way
5	56261187	1	Cover
6	56373456	1	Fitting, 1/4 NPTM x 1/2 Barb
7	56368938	1	Elbow, STR 45° 1/4 NPT
8	56324313	2	Washer, Rubber
9	56263379	2	Strap
10	56900273	1	Barb
11	56393347	1	Cable, Control
12	56324206	1	Bar, Linkage
13	56002926	1	Scr, Hex Hd Loc 10-24 x .38
14	56009096	1	Wsh, Flt .19 x .87 x .06
15	56003262	1	Ring, Ret Ext Type E
16	56002063	2	Wsh, Flt SAE 3/8
17	56488290	2	Rod End #10
18	56378534	1	Knob
19	56200972	1	Bearing
20	56324216	1	Rod, Valve Control
21	56756364	1	Clamp, Hose
22	56001836	2	Scr, Hex 1/4-20 x .62
23	56263381	4	Wsh, .12 x .50 x .03
24	56261397	38"	Gasket, Raw (96.5 cm)
25	56393880	1	Plate, Tip-Up
26	56112771	4	Clamp, Hose
27	56155640	1	Fitting, 1/4 NPTM x 3/8 Barb
28	56393879	1	Bar, Tank Support
29	56002901	2	Scr, Hex Hd SS 1/4-20 x 1.50
30	56255076	1	Cap
31	56324602	1	Strap
32	56324029	1	Tee, ABS 3/4 NPT
33	56324030	1	Filter
34	56393385	1	Barb, Adapter
35	56002924	4	Scr, Pan Phil Loc 1/4-20 x .50
36	56393878	2	Block
37	56379107	1	Hose, PVC .38 x 12.00
38	56900299	80"	Hose, Spiral (203 cm)
39	56900186	4	Rivot, Pop
40	56393382	1	Hose, PVC .38 x 17.00
41	56002708	2	Nut, Hex Nyl Loc 1/4-20
42	56393187	1	Nut, Hex 3/4-16 UNF
43	56219932	2	Clamp, Hose
44	56393224	1	Tee, 1/4 NPTM x .38 Barb
45	56756739	1	Elbow, Barb 90° 1/4 NPT
46	56456802	2	Barb, Elbow 90°
47	56249625	1	Restrainer
48	56154717	1	Wsh, Rubber .62 x 1.06 x .12
49	56393182	1	Barb
50	56392833	1	Hose, Spiral
51	56324249	1	Hose, Spiral
52	56257534	1	Hose, PVC .38 x 5.00

* = Not Shown

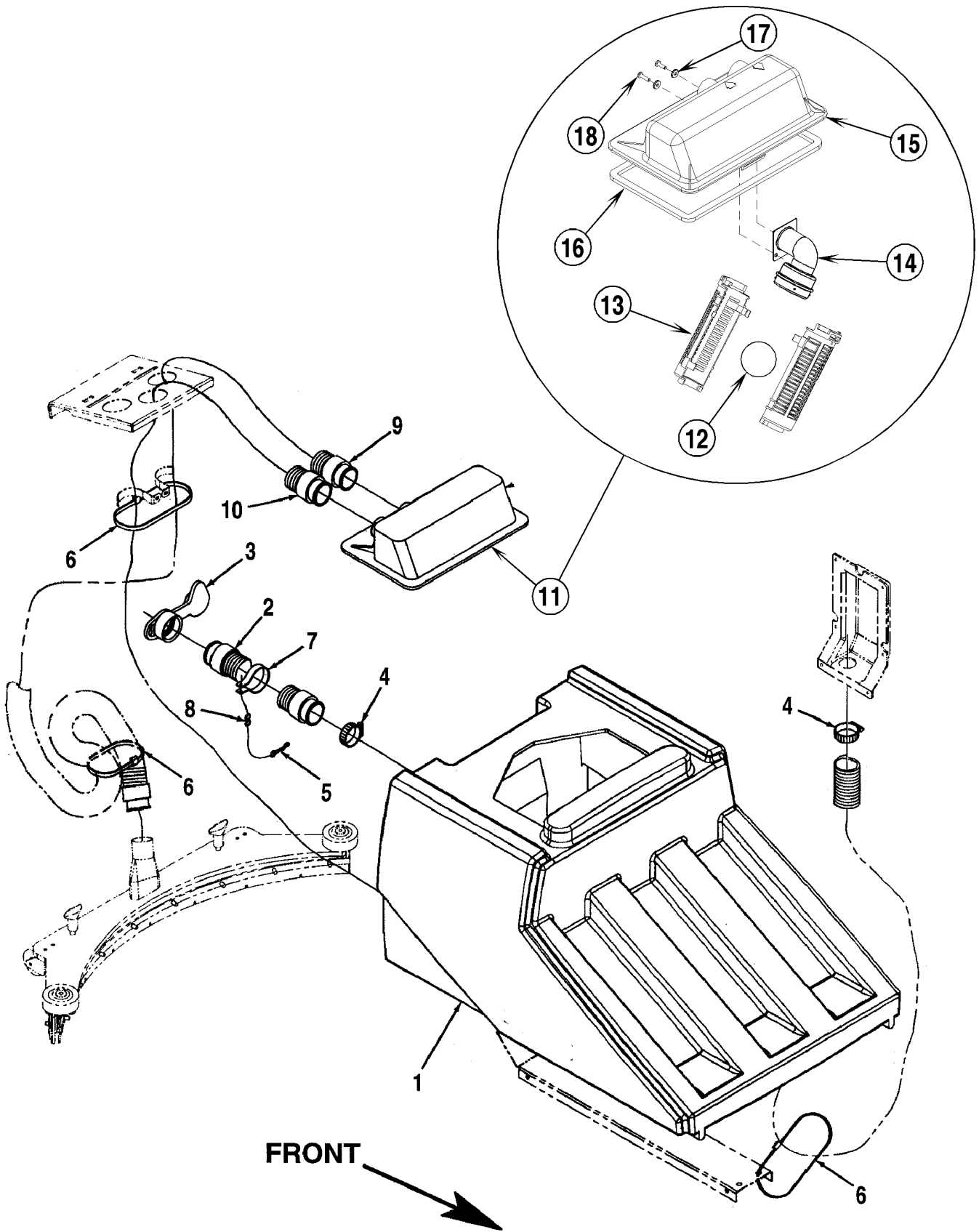


Item	Ref. No.	Qty	Description
1	56393752	1	Solution Tank (BA 600)
	56393842	1	Solution Tank (240HD after SN 1192763)
2	56324247	1	Solenoid Valve
*	56324506	1	Viton Seal Kit (for PN 56324247)
*	56324507	1	EPDM Seal Kit (for PN 56324247)
3	56368776	1	Washer, Rubber
4	56393789	1	Valve, 2-Way
5	56393767	1	Cover
6	56373456	1	Fitting, 1/4 NPTM x 1/2 Barb
7	56368938	1	Elbow, STR 45° 1/4 NPT
8	56324313	2	Washer, Rubber
9	56263379	2	Strap
10	56900273	1	Barb
11	56393347	1	Cable, Control
12	56324206	1	Bar, Linkage
13	56002926	1	Scr, Hex Hd Loc 10-24 x .38
14	56009096	1	Wsh, Flt .19 x .87 x .06
15	56003262	1	Ring, Ret Ext Type E
16	56002063	2	Wsh, Flt SAE 3/8
17	56488290	2	Rod End #10
18	56378534	1	Knob
19	56200972	1	Bearing
20	56324216	1	Rod, Valve Control
21	56756364	1	Clamp, Hose
22	56001836	2	Scr, Hex 1/4-20 x .62
23	56263381	4	Wsh, .12 x .50 x .03
24	56261397	38"	Gasket, Raw (96.5 cm)
25	56393880	1	Plate, Tip-Up
26	56112771	4	Clamp, Hose
27	56155640	1	Fitting, 1/4 NPTM x 3/8 Barb
28	56393879	1	Bar, Tank Support
29	56002901	2	Scr, Hex Hd SS 1/4-20 x 1.50
30	56255076	1	Cap
31	56324602	1	Strap
32	56324029	1	Tee, ABS 3/4 NPT
33	56324030	1	Filter
34	56393385	1	Barb, Adapter
35	56002924	4	Scr, Pan Phil Loc 1/4-20 x .50
36	56393878	2	Block
37	56379107	1	Hose, PVC .38 x 12.00
38	56900299	80"	Hose, Spiral (203 cm)
39	56900186	4	Rivot, Pop
40	56393382	1	Hose, PVC .38 x 17.00
41	56002708	2	Nut, Hex Nyl Loc 1/4-20
42	56393187	1	Nut, Hex 3/4-16 UNF
43	56219932	2	Clamp, Hose
44	56393224	1	Tee, 1/4 NPTM x .38 Barb
45	56756739	1	Elbow, Barb 90° 1/4 NPT
46	56456802	2	Barb, Elbow 90°
47	56249625	1	Restrainer
48	56154717	1	Wsh, Rubber .62 x 1.06 x .12
49	56393182	1	Barb
50	56392833	1	Hose, Spiral
51	56324249	1	Hose, Spiral
52	56257534	1	Hose, PVC .38 x 5.00

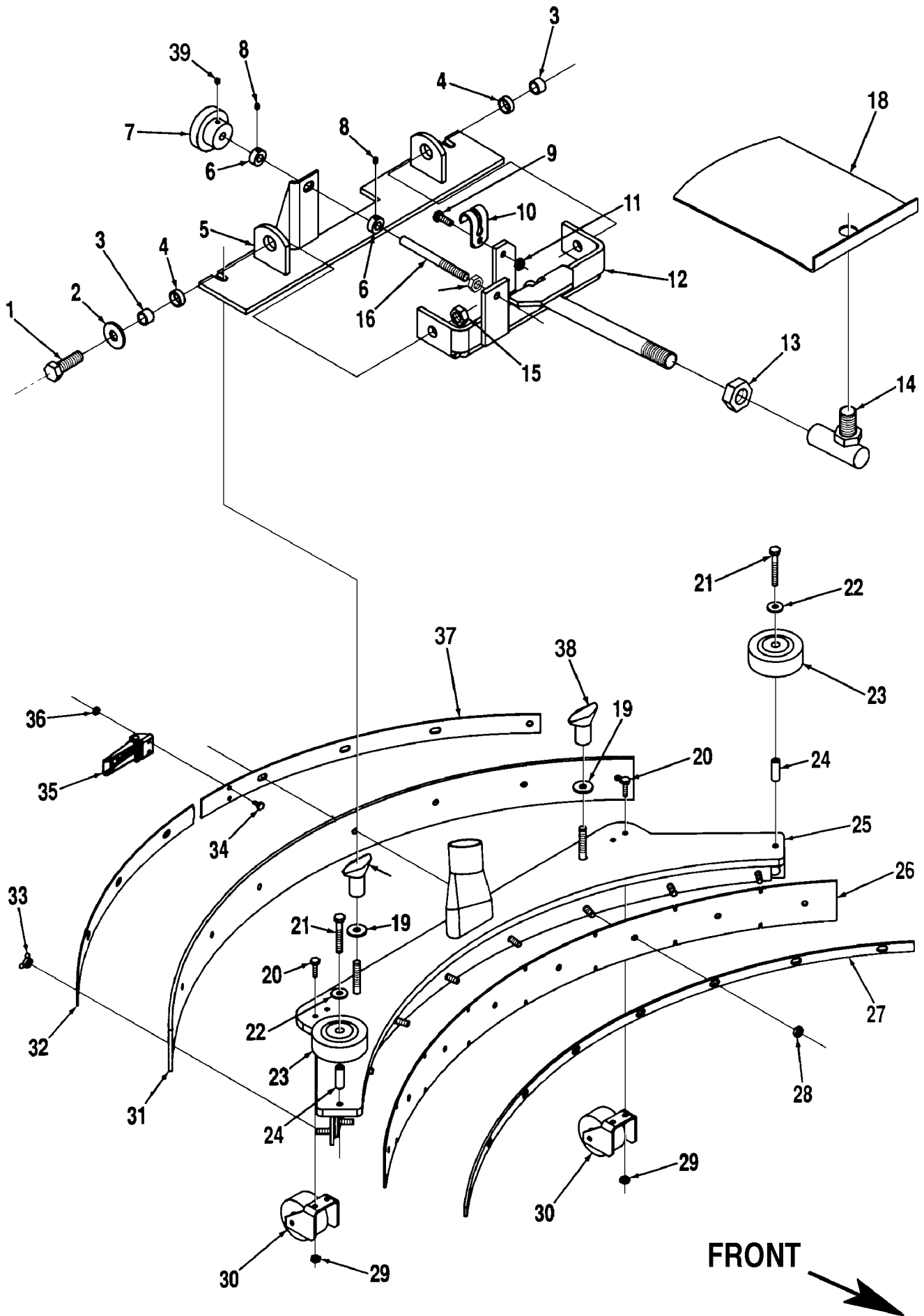
* = Not Shown



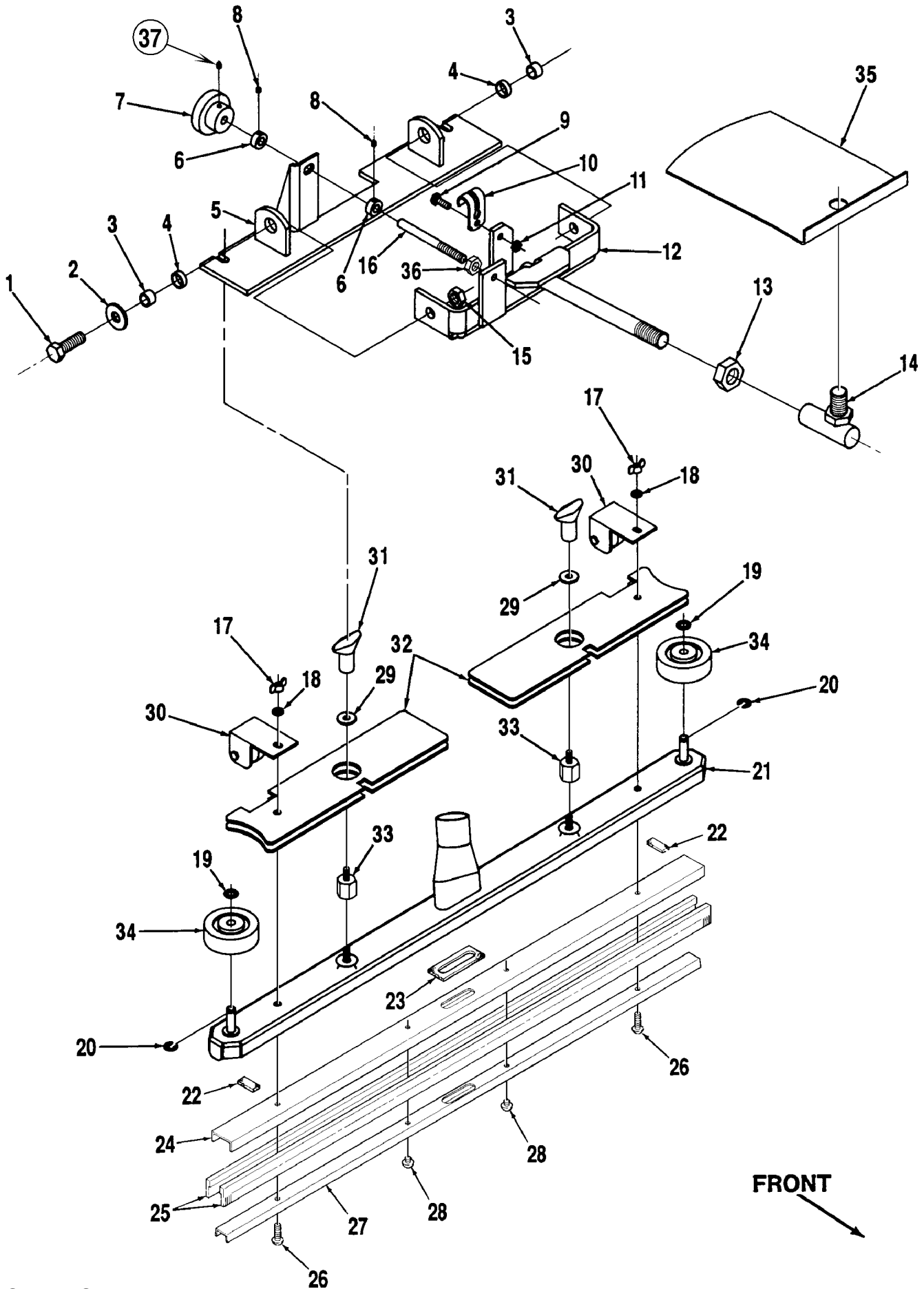
Item	Ref. No.	Qty	Description
1	56393352	1	Recovery Tank
2	56324281	1	Swivel Snap
3	56745391	1	S-Hook
4	56477613	3	Cable Tie
5	56324180	1	Drain Plug
6	56372216	1	Drain Hose
7	56263379	1	Strap
8	56329145	2	Hose Clamp
9	56392563	1	Hose with Cuff
10	56324255	1	Hose with Cuffs
11	56324045	1	Cover Assembly (#12-18)
12	56391690	1	Ball
13	56324497	2	Cage, Float
14	56324298	1	Elbow, Float
15	56324046	1	Cover, Tank
16	56262576	1	Gasket
17	56209261	2	Washer, Sealing 9/16
18	56003633	2	Scr, Pan Phil SS Type B 10-16 x .50



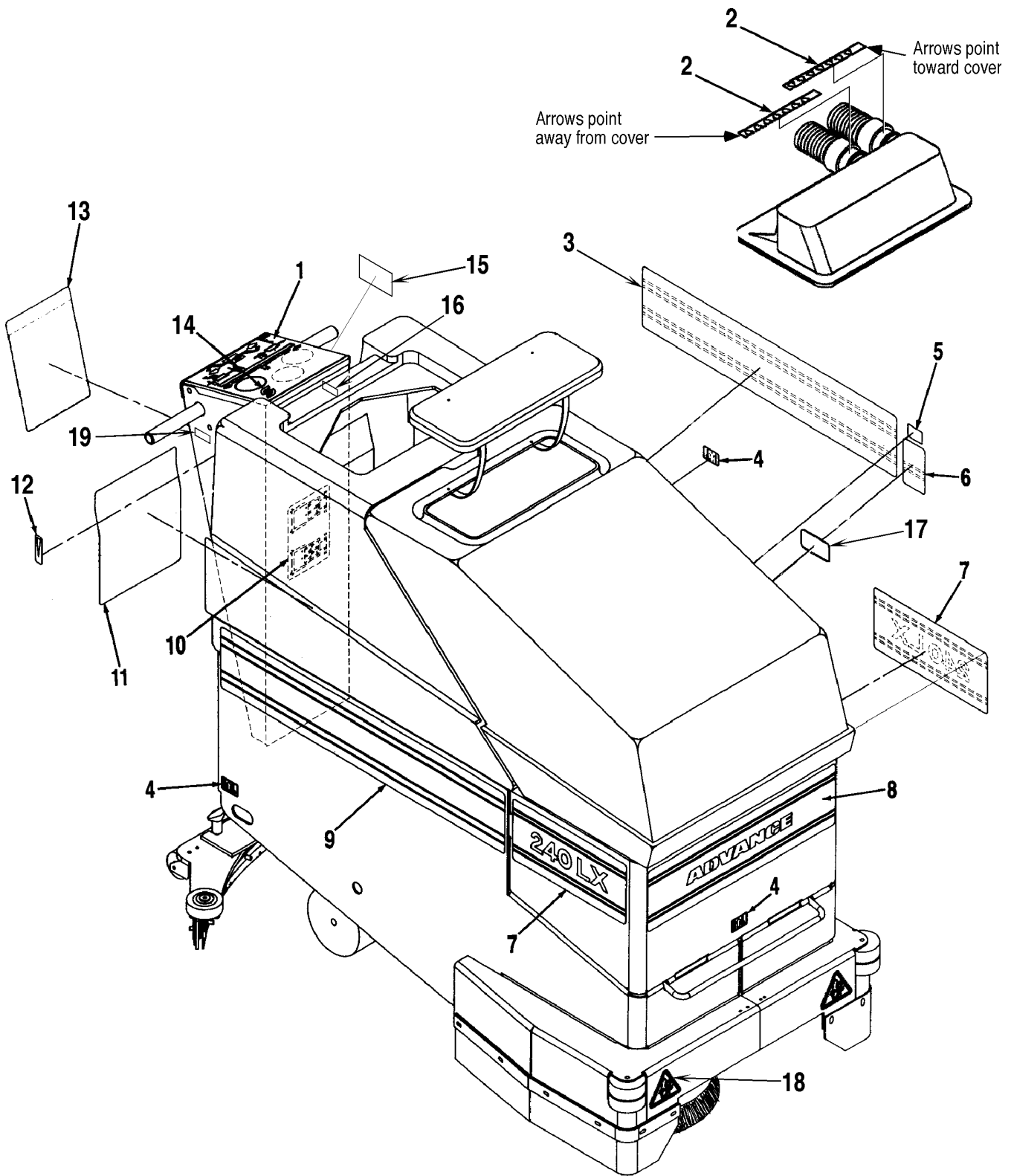
Item	Ref. No.	Qty	Description
1	56393754	1	Recovery Tank (BA 600)
	56393841	1	Recovery Tank (240HD after SN 1192763)
2	56393770	1	Drain Hose
3	56393772	1	Drain Plug
4	56329145	2	Hose Clamp
5	56324281	1	Swivel Snap
6	56477613	3	Cable Tie
7	56263379	1	Strap
8	56745391	1	"S" Hook
9	56393771	1	Squeegee Hose
10	56393769	1	Vacuum Hose
11	56324396	1	Cover Assembly (#12-18)
12	56391690	1	Ball
13	56324497	2	Cage, Float
14	56324298	1	Elbow, Float
15	56324395	1	Cover, Tank
16	56262576	1	Gasket
17	56209261	2	Washer, Sealing 9/16
18	56003633	2	Scr, Pan Phil SS Type B 10-16 x .50



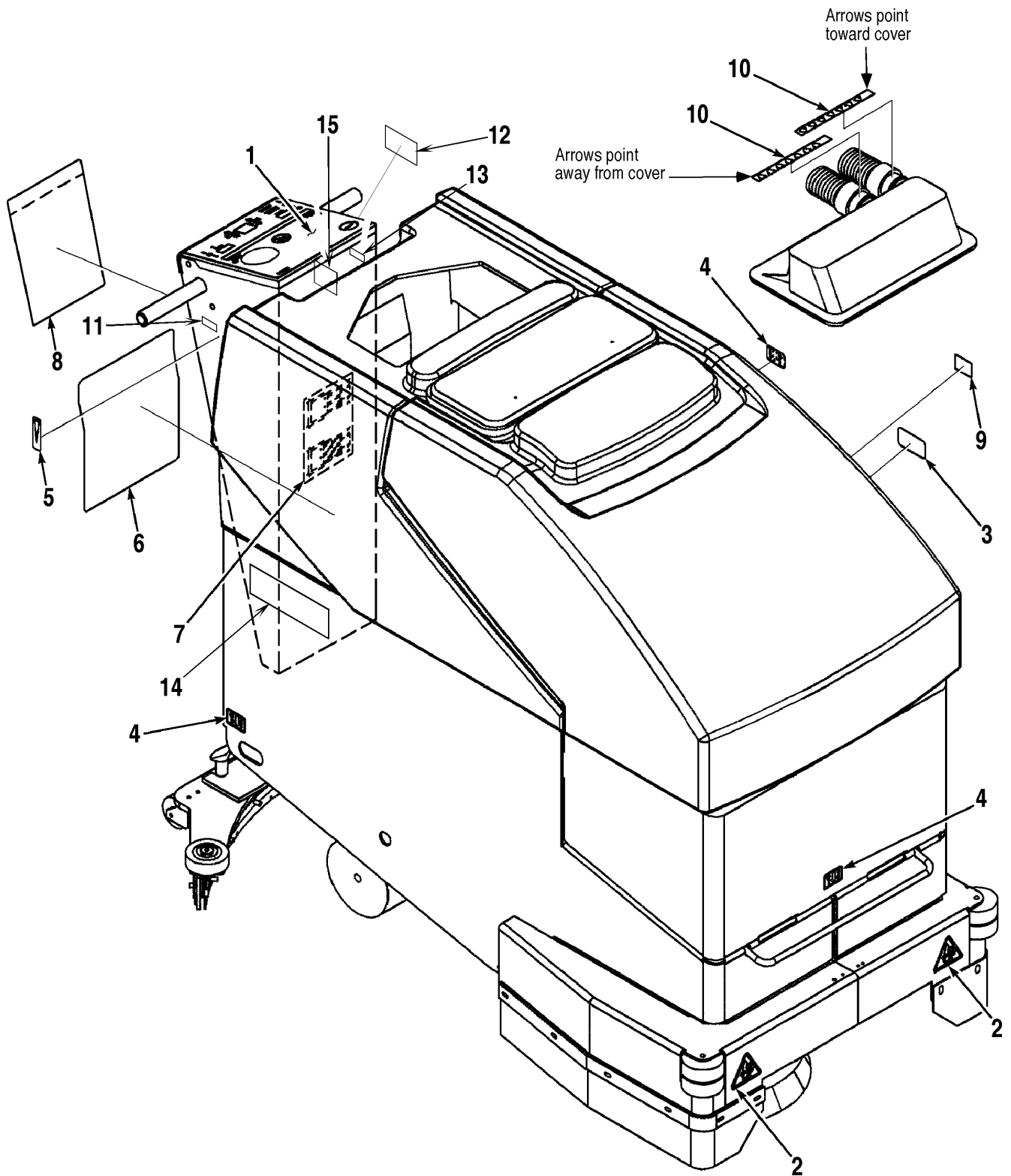
Item	Ref. No.	Qty	Description
1	56001831	2	1/2-13 x 1-1/4 Bolt
2	56001879	2	1/2 Washer
3	56478781	2	Sleeve Bearing
4	56360627	2	Bushing
5	56393292	1	Mount
6	56331076	2	Collar
7	56475480	1	Knob
8	56009084	2	#10-24 x 3/16 Loc Set Screw
9	56002155	1	1/4-20 x 3/4 Screw
10	56387380	1	Half Clevis
11	56002708	1	1/4-20 Nyl Loc Nut
12	56393293	1	Mount
13	56009083	1	3/4-16 Jam Nut
14	56391864	1	Ball Joint
15	56002843	2	1/2-13 Thin Nyl Loc Nut
16	56391855	1	Rod
17	56003015	1	3/8-16 SS Jam Nut
18	56393398	1	Stabilizer Plate
	56393756	1	Squeegee Assembly (#19-38)
19	56002938	2	5/16 SS Flat Washer
20	56002835	4	#10-24 x 3/4 SS Screw
21	56002993	2	1/4-20 x 1-1/2 SS Loc Screw
22	56002859	2	1/4 SS Flat Washer
23	56363855	2	Wheel
24	56471220	2	Bushing
25	56393760	1	Squeegee Tool
26	56393285	1	Front Blade
27	56393761	1	Front Strap
28	56002850	8	1/4-20 SS Thin Nyl Loc Nut
29	56002836	4	#10-24 SS Nyl Loc Nut
30	56393755	2	Roller
31	56393286	1	Rear Blade
32	56393762	1	Right Rear Strap
33	56002963	2	1/4-20 SS Wing Nut
34	56002909	2	#6-32 x 3/8 SS Screw
35	56471194	1	Latch
36	56002964	2	#6-32 SS Thin Nyl Loc Nut
37	56393763	1	Left Rear Strap
38	56370711	2	Thumb Nut
39	56003123	1	#10-24 x 3/8 Loc Set Screw



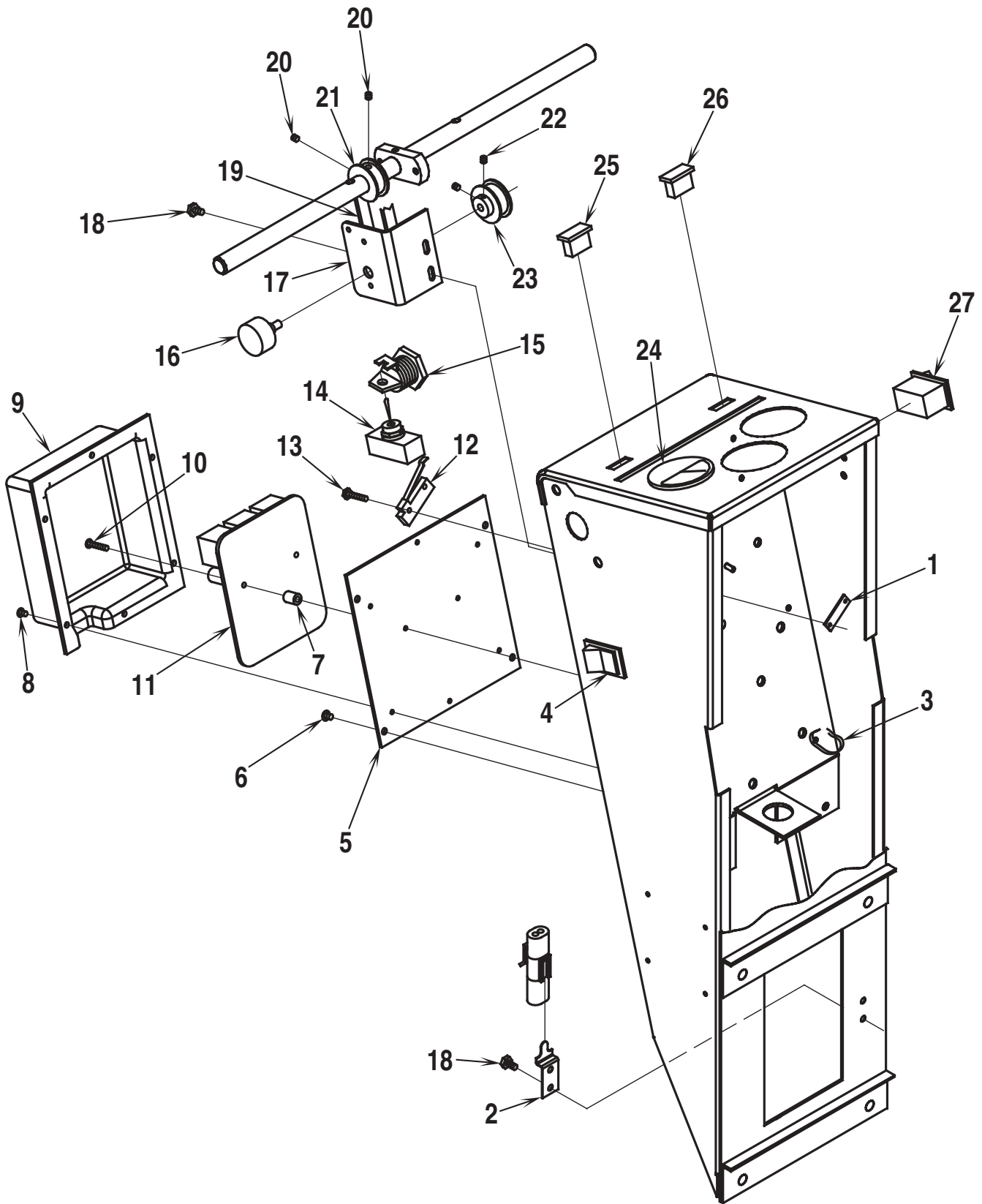
Item	Ref. No.	Qty	Description
1	56001831	2	1/2-13 x 1-1/4 Bolt
2	56001879	2	1/2 Washer
3	56478781	2	Sleeve Bearing
4	56360627	2	Bushing
5	56393292	1	Mount
6	56331076	2	Collar
7	56475480	1	Knob
8	56002931	2	#10-24 x .19 Set Screw
9	56002155	1	1/4-20 x .75 Screw
10	56387380	1	Half Clevis
11	56002708	1	1/4-20 Lock Nut
12	56393293	1	Mount
13	56002568	1	3/4-16 Jam Nut
14	56391864	1	Ball Joint
15	56002843	2	1/2-13 Nyloc Nut
16	56391855	1	Rod
	56393188	1	Squeegee Assembly (#17-29)
17	56002963	2	1/4-20 Wing Nut
18	56002098	2	1/4 Flat Washer
19	56371009	4	Washer
20	56157060	2	Retaining Ring
21	56372978	1	Squeegee Tool
22	56400614	2	Gasket
23	56400613	1	Gasket
	56372992	1	Cartridge (#17 & 24-28)
24	56105554	1	Channel
25	56105535	2	Blade
26	56003067	2	1/4-20 x 1 SS Screw
27	56105555	1	Retainer
28	56003037	2	1/4-20 x 1/4 SS Screw
29	56001939	2	5/16 Flat Washer
30	56387376	2	Roller
31	56370711	2	Thumb Nut
32	56393142	4	Weight
33	56393386	2	Spacer
34	56363855	2	Wheel
35	56393398	1	Stabilizer Plate
36	56003015	1	3/8-16 SS Jam Nut
37	56003123	1	Scr, Soc Set 10-24 x .38



Item	Ref. No.	Qty	Description
1	56015394	1	Decal, Control Panel
2	56015655	2	Decal, Direction
3	56015382	1	Decal, Left Rear Stripe
4	56015370	3	Decal, Tie Down
5	56054192	1	Decal, Charger
6	56015390	1	Decal, Door Stripe
7	56015384	2	Decal, Front Stripe (240 LX, 240 LX-J)
	56015419	2	Decal, Front Stripe (240 HD)
8	56015392	1	Decal, Front Stripe
9	56015378	1	Decal, Right Rear Stripe
10	56015414	1	Decal, Batteries
11	56015811	1	Decal, Wiring
12	56016334	1	Decal, Solution Valve
13	56014601	1	Decal, Caution
14	56017069	1	Decal, Penguin Logo (240 LX-J)
15	56016009	1	Decal, Wear Items
16	56015422	1	Decal, Power
17	56015484	1	Decal, Circuit Breaker
18	56015506	2	Decal, Rotating Brush Hazard
19	56015487	1	Decal, ON-OFF-ON



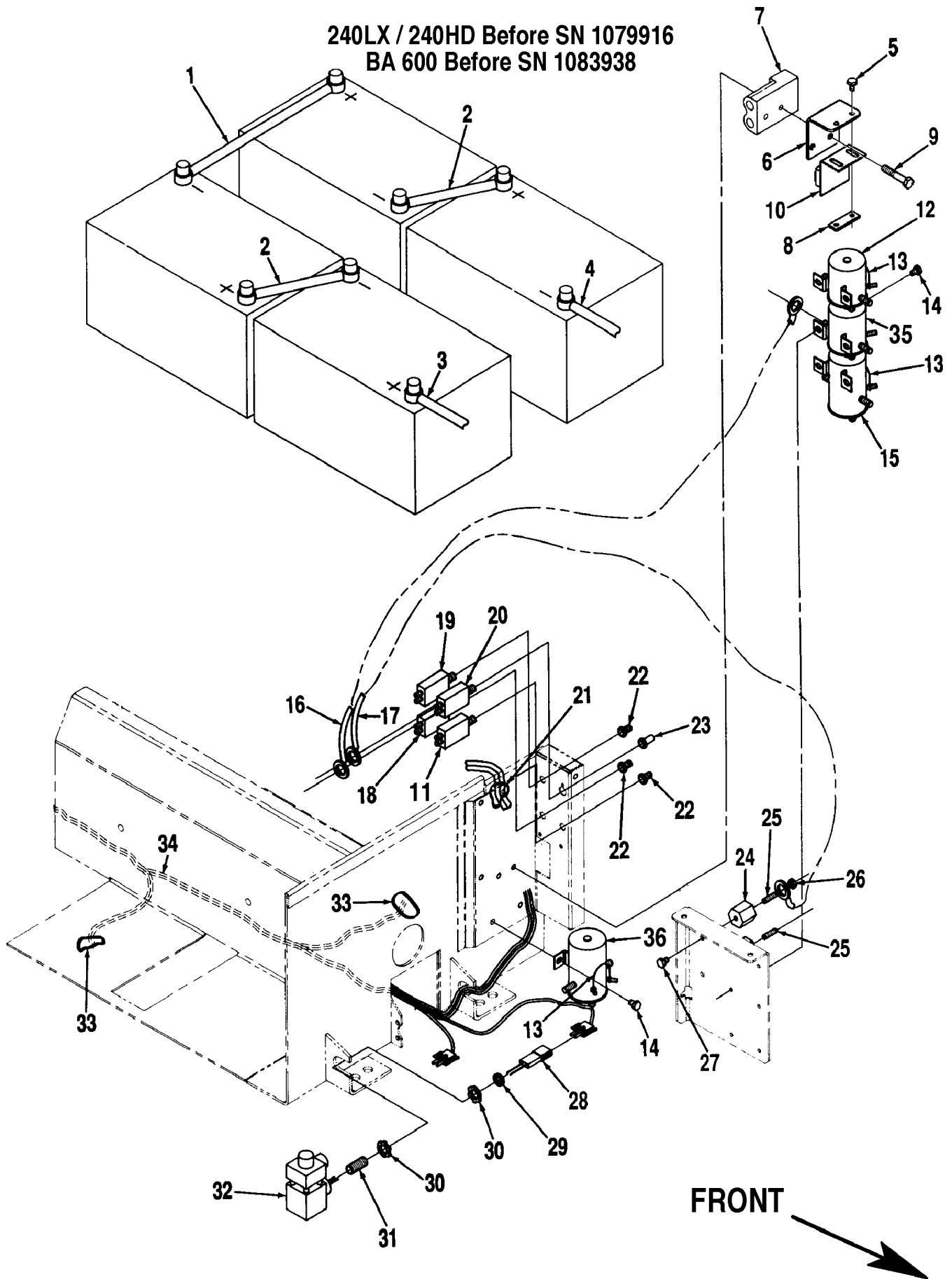
Item	Ref. No.	Qty	Description
1	56016154	1	Decal, Control Panel (240HD)
	56016151	1	Decal, Control Panel (BA 600)
2	56015506	2	Decal, Rotating Brush Hazard
3	56015484	1	Decal, Circuit Breaker
4	56015370	3	Decal, Tie Down
5	56016334	1	Decal, Solution Valve
6	56015297	1	Decal, Wiring (before 7/8/95)
	56015811	1	Decal, Wiring (from 7/8/95 to 11/10/97)
	56016051	1	Decal, Wiring (after 11/10/97)
7	56015414	1	Decal, Batteries
8	56014601	1	Decal, Caution
9	56054192	1	Decal, Charger
10	56015655	2	Decal, Direction
11	56015487	1	Decal, Solution ON-OFF-ON (240HD)
	56015714	1	Decal, Solution ON-OFF-ON (BA 600)
12	56016029	1	Decal, Wear Items (240HD only)
13	56015422	1	Decal, Power (240HD)
	56015713	1	Decal, Power (BA 600)
14	56015993	2	Decal, 240HD (240HD only)
15	56015715	1	Decal, Brush ON/OFF (BA 600 only)



Item	Ref. No.	Qty	Description
1	56376015	1	Nut Plate
2	56324366	1	Bracket (only used before SN 1083938)
3	56900753	4	Push Mount Tie
4	56324272	1	Solution Switch
5	56324121	1	Heat Sink
6	56002834	4	Scr, Hex 10-24 x .38
7	56377721	2	Spacer
8	56009075	2	Scr, Pan Phil Thd Form 8-32 x .38
9	56324128	1	Controller Cover
10	56009034	2	Scr, Pan Phil Thd Form 8-32 x .88
11	56324618	1	Speed Control Kit
12	56324362	1	Vacuum Motor switch
13	56002809	2	Scr, Hex Hd Loc 6-32 x .88
14	56301636	1	Main Power Switch
15	56393325	1	Key Lock Bracket
*	56393415	1	Replacement Key for 56393325
16	56454740	1	Potentiometer 5K Ohm
17	56324119	1	Bracket
18	56009012	4	Scr, Hex Thd Form 10-24 x .38
19	56324022	1	Belt
20	56009183	2	Scr, Soc Set 10-24 x .19
21	56392859	1	Cog Pulley
22	56009184	2	Scr, Soc Set 8-32 x .25
23	56324513	1	Cog Pulley
24	56389529	1	Battery Meter
*	56492305	2	Rubber Boot
25	56324028	1	Blue Light (Solution Indicator)
26	56389434	1	Green Light (Main Power Indicator)
27	56393312	1	Brush Switch

* = Not Shown

240LX / 240HD Before SN 1079916
BA 600 Before SN 1083938

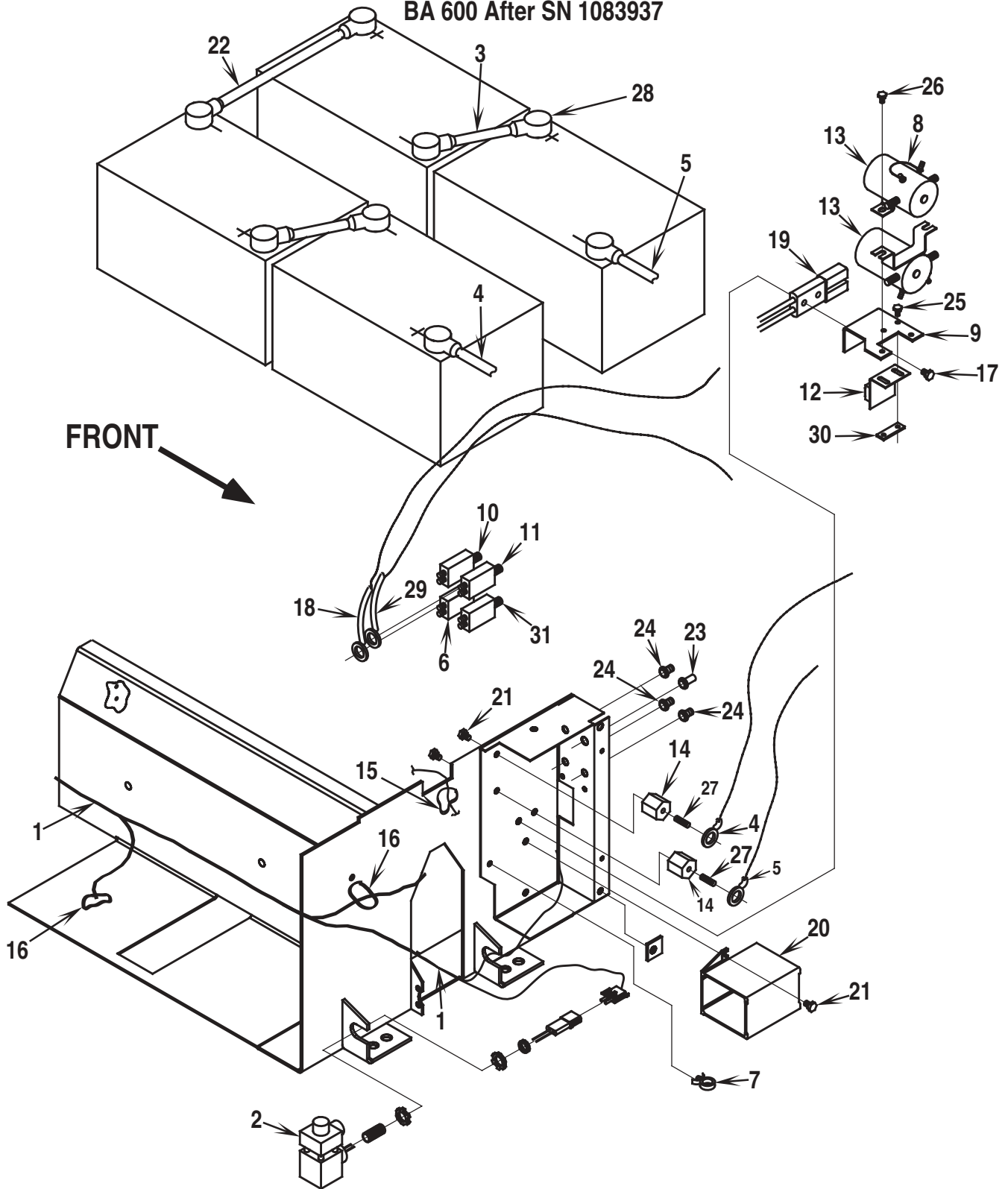


Item	Ref. No.	Qty	Description
*	56372673	8	Battery Terminal Boot
1	56363936	1	Battery Cable (240LX, 240HD, BA 600) TSB 730
2	56363928	2	Battery Cable (240LX, 240HD, BA 600) TSB 730
	56441600	3	Battery Cable (240LX-J)
3	56372524	1	Battery Cable (240LX, 240HD, BA 600) TSB 730
	56452191	1	Battery Cable (240LX-J)
4	56372526	1	Battery Cable (240LX, 240HD, BA 600) TSB 730
	56393189	1	Battery Cable (240LX-J)
5	56002926	2	#10-24 x 3/8 Loc Screw
6	56393582	1	Switch Bracket
7	56100621	1	Charger Plug
8	56324310	2	Nut Plate
9	56001833	2	1/4-20 x 1-1/2 Screw
10	56462362	1	Charger Interlock Switch
11	56395454	1	Circuit Breaker 20 Amp (Wheel Drive Motor)
12	56468358	1	Solenoid (Vacuum Motor)
13	56389265	3	Diode Assembly
14	56002530	8	1/4-20 x 3/8 Screw
15	56263261	1	Solenoid (Lift Actuator Down)
16	56393379	1	Cable
17	56393380	1	Cable
18	56387328	1	Circuit Breaker 5 Amp (Aux. & Lift Actuator)
19	56395454	1	Circuit Breaker 20 Amp (Vacuum Motor)
20	56454429	1	Circuit Breaker 70 Amp (Brush Motor)
21	56478246	20	Cable Tie
22	56459367	3	Button Boot
23	56459369	1	Button Boot
24	56469858	2	Insulated Stand-Off
25	56150274	2	1/4-20 x 7/8 Stud
26	56002040	2	1/4-20 Jam Nut
*	56001803	2	1/4 Shakeproof Washer
27	56002933	2	1/4-20 x 3/8 Screw
28	56462360	1	Connector
29	56324251	1	Insulating Bushing
30	56171094	2	1/2 Lock Nut
31	56324250	1	Conduit
32	56324247	1	Solenoid Valve
33	56900753	4	Push Mount Tie
34	56393318	1	Wiring Harness
35	56468358	1	Solenoid (Brush Motor)
36	56263261	1	Solenoid (Lift Actuator Up)

* = Not Shown

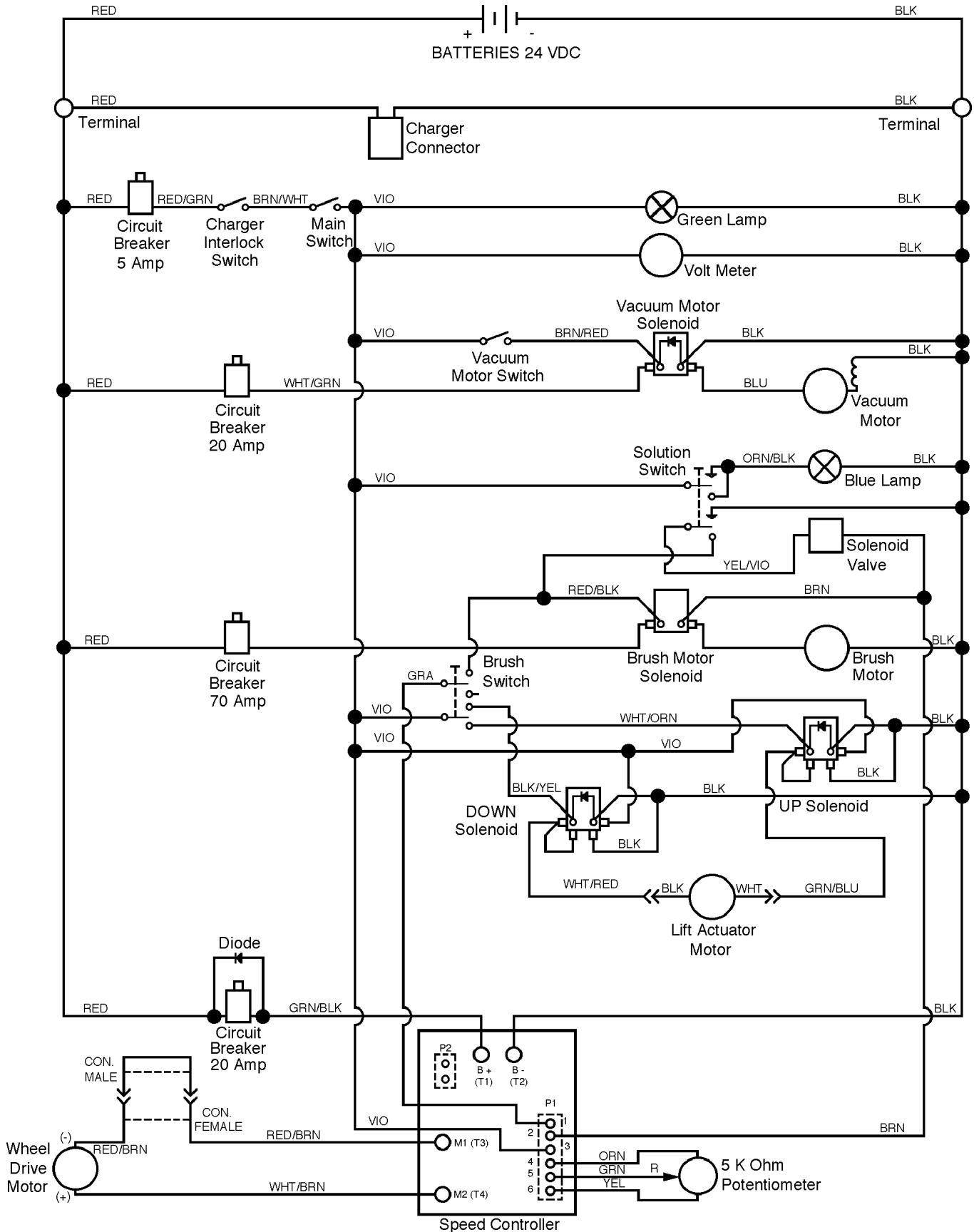
** = Optional Accessory, not included

240LX / 240HD After SN 1079915
BA 600 After SN 1083937



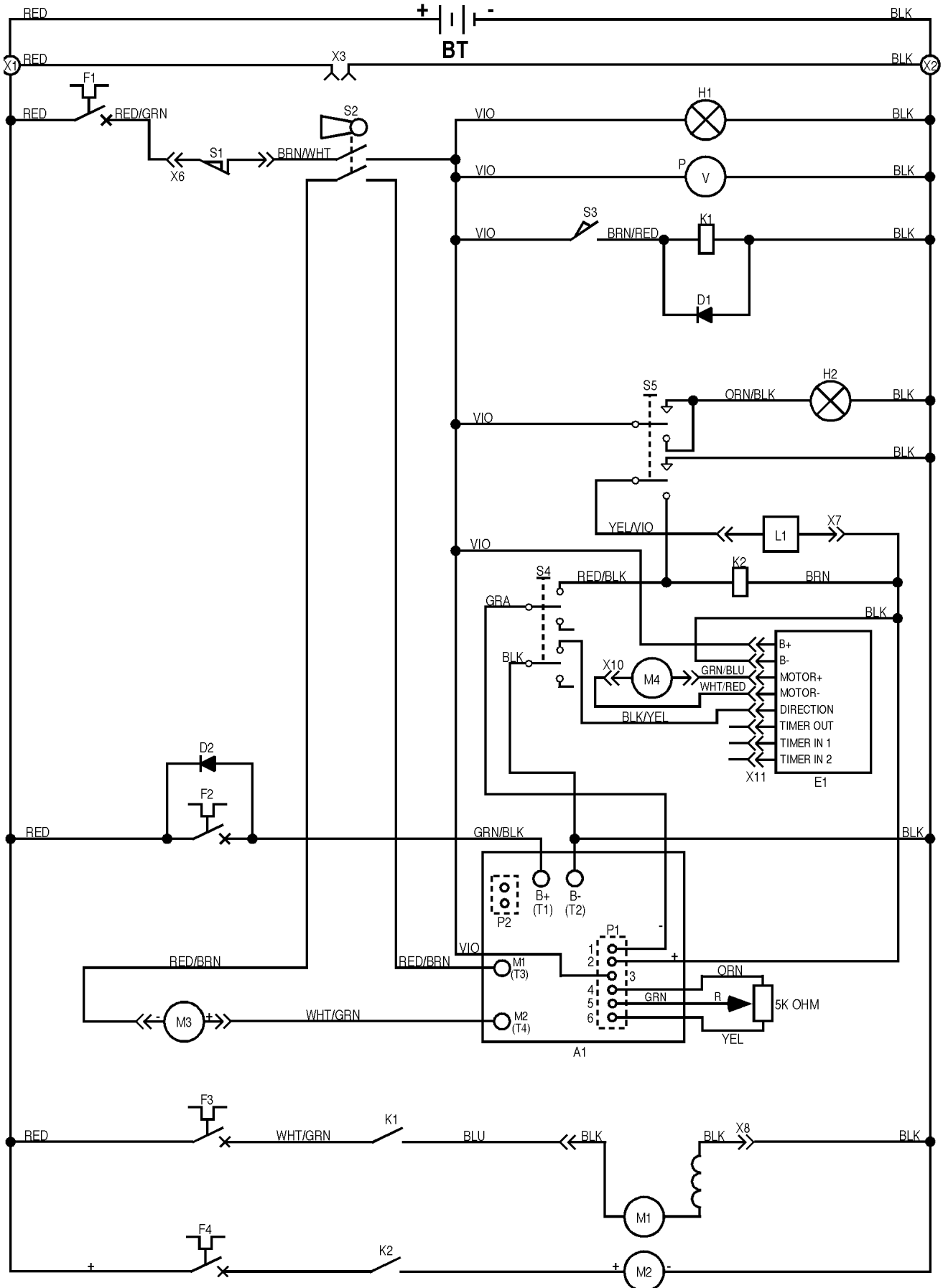
Item	Ref. No.	Qty	Description
1	56393779	1	Wiring Harness
2	56324247	1	Solenoid Valve Assy
3	56363928	2	Battery Cable (240LX, 240HD, BA 600) TSB 730
	56441600	3	Battery Cable (240LX-J)
4	56372524	1	Battery Cable (240LX, 240HD, BA 600) TSB 730
	56452191	1	Battery Cable (240LX-J)
5	56372526	1	Battery Cable (240LX, 240HD, BA 600) TSB 730
	56393189	1	Battery Cable (240LX-J)
6	56387328	1	Circuit Breaker, 5 Amp (Aux. Circuit)
7	56393471	1	Clip
8	56389265	1	Diode Assy
9	56393781	1	Bracket, switch
10	56395454	1	Circuit Breaker, 20 Amp (Vacuum Motor)
11	56454429	1	Circuit Breaker, 70 Amp (Brush Motor)
12	56462362	1	Switch Assy (Charger Interlock)
13	56468358	2	Solenoid (Vacuum and Brush Motor)
14	56469858	2	Stand-off, Insulated
15	56478246	20	Cable Ties
16	56900753	4	Tie, Pushmount
17	56001833	2	Scr, Hex Hd 1/4-20 x 1.50
18	56393786	1	Wire Assy
19	56393782	1	Charger Plug Assy
20	56392174	1	Actuator Control Module
21	56002933	4	Scr, Hex Loc 1/4-20 x .38
22	56363936	1	Cable, Battery 4 x 15 (240LX, 240HD, BA 600 / refer to #3 for 240LX-J part number) TSB 730
23	56459369	1	Boot, Reset Button
24	56459367	3	Boot, Reset Button
25	56002926	2	Scr, Hex Hd Loc 10-24 x .38
26	56009019	2	Scr, Hex Thd Form 1/4-20 x .38
27	56009203	2	Stud, 1/4-20 x 1.31
28	56372673	8	Battery Cable Boot
29	56393783	1	Wire Assy
30	56324310	1	Nut Plate
31	56395454	1	Circuit Breaker, 20 Amp (Wheel Drive Motor)

240LX / 240HD Before SN 1079916
BA 600 Before SN 1083938



Ref. No.	Qty	Description
56393189	1	Battery Cable, Negative (240LX-J)
56372526	1	Battery Cable, Negative (240LX, 240HD, BA 600) TSB 730
56452191	1	Battery Cable, Positive (240LX-J)
56372524	1	Battery Cable, Positive (240LX, 240HD, BA 600) TSB 730
56324028	1	Blue Lamp
56393493	1	Brush Motor
56468358	1	Solenoid (Brush Motor)
56393312	1	Brush Switch
56100621	1	Charger Connector
56462362	1	Charger Interlock Switch
56387328	1	Circuit Breaker 5 Amp (Aux. & Lift Actuator)
56395454	1	Circuit Breaker 20 Amp (Vacuum Motor)
56454429	1	Circuit Breaker 70 Amp (Brush Motor)
56395454	1	Circuit Breaker 20 Amp (Wheel Drive Motor)
56462360	1	Connector Male
56462361	1	Connector Female
56389265	3	Diode
56263261	1	Solenoid (Lift Actuator Down)
56389434	1	Green Lamp
56393303	1	Lift Actuator Motor
56301636	1	Main Switch
56454740	1	Potentiometer 5K Ohm
56324272	1	Solution Switch
56324247	1	Solenoid Valve
56324618	1	Speed Control Kit TSB 660
56150274	2	Terminal
56263261	1	Solenoid (Lift Actuator Up)
56324189	1	Vacuum Motor
56468358	1	Solenoid (Vacuum Motor)
56324362	1	Vacuum Motor Switch
56389529	1	Battery Meter
56263253	1	Wheel Drive Motor
56462360	1	Male Connector
56462361	1	Female Connector

240LX / 240HD After SN 1079915
BA 600 After SN 1083937

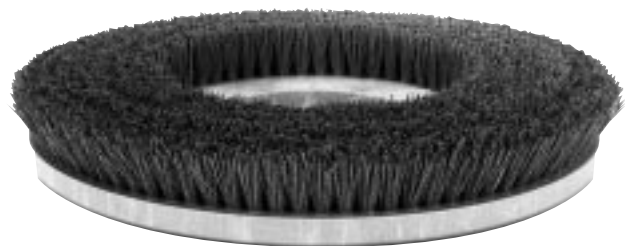


Item	Ref. No.	Qty	Description
A1	56324618	1	Speed Control Kit TSB 660
BT			Battery
D1	56389265	1	Suppression Diode
D2	56389265	1	Suppression Diode
E1	56392174	1	Actuator Control Module
F1	56387328	1	Circuit Breaker 5 Amp (Aux. Circuit)
F2	56395454	1	Circuit Breaker 20 Amp (Wheel Drive Motor)
F3	56395454	1	Circuit Breaker 20 Amp (Vacuum Motor)
F4	56454429	1	Circuit Breaker 70 Amp (Brush Motor)
H1	56389434	1	Main Power Indicator (green)
H2	56324028	1	Solution Indicator (blue)
K1	56468358	1	Vacuum Motor Solenoid
K2	56468358	1	Brush Motor Solenoid
L1	56324247	1	Solution Solenoid Valve
M1	56324189	1	Vacuum Motor
M2	56393493	1	Brush Motor
M3	56263253	1	Wheel Drive Motor
M4	56393303	1	Brush Lift Actuator Motor
P	56389529	1	Voltmeter
R	56454740	1	Potentiometer 5K Ohm
S1	56462362	1	Charger Interlock Switch
S2	56301636	1	Main Power Switch
S3	56324362	1	Vacuum Switch
S4	56393312	1	Brush Switch
S5	56324272	1	Solution Switch
X1			Positive Main Terminal
X2			Negative Main Terminal
X3	56393782	1	Charger Connector
X6			Charger Interlock Switch Connector
X7			Solution Valve Connector
X8			Vacuum Module Connector
X9			Speed Controller Connector
X10			Actuator Motor Connector
X11			Actuator Control Module Connector

We manufacture brushes and pad holders that will give you the best possible performance between machine and floor. Following are descriptions of the materials and their applications when used on the BA 600.

- Union Mix:** Medium grade natural fibers for polishing finished floors with standard-speed equipment. Recommended for use in place of white pads.
- ProLite:** Bristles are made from light-duty polypropylene for general scrubbing when you do not want to scratch or remove finish from the floor. Recommended for use in place of red pads.
- Prolene:** Polypropylene material for medium-duty scrubbing on concrete, terrazzo and vinyl floor tile. Recommended for use in place of green or blue pads.
- Magna Grit:** For extreme heavy-duty scrubbing or stripping of floors. This brush has extra large diameter silicon carbide grit impregnated synthetic bristles. Recommended for use in place of black pads.
- Dyna Grit:** For aggressive, heavy-duty scrubbing or stripping of floors. Recommended for use in place of brown pads.
- MidLite Grit:** For general purpose scrubbing of sealed or unsealed concrete, stone, terrazzo, quarry tile and other resilient hard floor surfaces. Recommended for use in place of green or blue pads.
- MidGrit:** For general purpose scrubbing when you need a lighter action for sealed or unsealed concrete, stone, terrazzo, quarry tile and other resilient hard floor surfaces. Recommended for use in place of green or blue pads.
- AgLite Grit:** For light scrubbing when used wet; buffing or polishing when used dry on urethane coated, sealed concrete or other resilient hard surface floors. Recommended for use in place of red or white pads.
- Short Trim Pad Holder:** Made with a structural foam block and center ring for correct pad centering. It has a "shower feed" design for getting solution to the floor.

- Ref. No.:** 56505756 - Union Mix
 56505754 - Prolene
 56505752 - Dyna Grit
 56505757 - MidGrit
 56505750 - Short Trim Pad Holder
 56505755 - ProLite
 56505751 - Magna Grit
 56505758 - MidLite Grit
 56505753 - AgLite Grit



DANMARK

Nilfisk-Advance Nordic A/S
Sognevej 25 - Box 344
DK-2605 Broendby
☎ 43 23 83 50 – Fax 43 42 15 95

NORGE

Nilfisk-Advance AS
Enebakkvn, 119, 0680 Oslo, Postboks 196, Manglerud,
0612 Oslo
☎ 22 08 63 50 – Fax 22 08 63 63
Distriktsrepresentanter over hele landet

SVERIGE

Nilfisk-Advance AB
Sjöbjörnsvägen 5, 117 67 Stockholm
☎ 085 55 944 00 – Fax 085 55 944 30

FINLAND/ SUOMI

BERNER Ltd. Facotek Department
Etäläranta 4B, 00130 Helsinki
☎ +358 9 1345 1382

AUSTRALIA

Nilfisk-Advance Pty. Ltd.
ACN 003 762 623
Head office: 17 Leeds Street, Rhodes, N. S. W. 2138
☎ (02) 9736 1244 – Fax (02) 9736 3910
Customer Responce Centre:
☎ 1 800 011 013

BELGIQUE / BELGIË/ LUXEMBOURG

Nilfisk-Advance s.a./n.v.
Doornveld/ Sphere Business Park
Industrie Asse 3, nr 11 – bus 41
1731 Zellik-Asse
☎ (02) 467.60.50 Fax (02) 463.44.16

CANADA

Nilfisk-Advance Ltd.
396 Watline Avenue
Mississauga, Ontario L4Z 1X
☎ (905) 712-3260 – Fax (905) 712-3255

DEUTSCHLAND

Nilfisk-Advance AG
Siemensstraße 25-27
25462 Rellingen
☎ (041 01) 3990 – Fax (04101) 399191
Zentraler Kundenservice
☎ für die Industrie: 0180 535 67 97
☎ Institutionen und Gebäudereiniger: 0180 500 11 70

FRANCE

Nilfisk-Advance S.A.
BP 246
91944 Courtaboeuf Cedex
☎ (01) 69.59.87.00 Télécopie (01) 69.59.87.01

HONG KONG

Nilfisk-Advance Ltd.
2001, 20/F HK Worsted Mills
Industrial Building
31-39 Wo Tong Tsui Street
Kwai Chung, N.T.
☎ 2427 59 51 – Fax 2487 5828

IRELAND

Nilfisk-Advance Ltd.
28 Sandyford Office Park
Dublin 18
☎ +353 1 2943838 – Fax +353 1 2943845

JAPAN

Nilfisk-Advance Inc.
3-4-9 Chigasaki Minami
Tsuzuki-Ku Yokohama 224
☎ 045-942-7741 – Fax 045-942-6545

MALAYSIA

Nilfisk-Advance Sdn Bhd
Lot 2, 1st. Floor
Lorong 19/1A
46300 Petaling Jaya
Selangor Darul Ehsan
☎ 03-7568188 /03-7568189 /03-7568388 – Fax 03-7566828

NEDERLAND

Nilfisk-Advance B.V.
Flevolaan 7, Postbus 341
1380 AH Weesp
☎ 0294-462121 – Fax 0294-430053

NEW ZEALAND

Nilfisk-Advance Limited
477 Great South Road, Penrose
Auckland
☎ (09) 525 0092 – Fax (09) 525 6440

SCHWEIZ / SUISSE

Nilfisk-Advance AG
Ringstrasse 19, 9533 Kirchberg/Wil
☎ 719 23 52 83 – Fax 719 23 84 44

SINGAPORE

Nilisk-Advance Pte. Ltd.
22, Woodlands Industrial Park E1
Singapore 757740
☎ (65) 759 9100 – Fax (65) 759 9133

TAIWAN

Nilfisk-Advance Ltd.
1 F, No.23, Lane 132, Sec. 2
Ta An Road, Taipei
☎ 700 22 68 – Fax 784 08 43

UNITED KINGDOM

Nilfisk-Advance Limited
Newmarket Road
Bury St. Edmunds
Suffolk IP 33 3SR
☎ (01284) 763163 – Fax (01284) 750562

USA

Nilfisk-Advance Inc.
14600 21st Avenue North
Plymouth, MN 55447-3408
☎ +1 800 989 2235 – Fax 1 800 989 6566

Nilfisk-Advance of America, Inc.

300 Technology Drive
Malvern, PA 19355
☎ (610) 647 647-6427

ÖSTERREICH

Nilfisk-Advance GmbH
Vorarlberg Allee 46
1230 Wien
☎ 1 616 58 30 – Fax 1 616 58 30 40

ESPAÑA

Nilfisk-Advance, S.A.
Torre D'Ara
Passeig del Rengle, 5 Pl.9-10
E-08302 – Mataró (Barcelona)
☎ Tel. 93 741 24 00 – Fax: 93 757 80 20
Central atención al cliente: 902 200 201
nilfisk@nilfisk-advance.es – www.nilfisk-advance.com
Distribuidores y Servicio Técnico en toda España y Andorra

ITALIA

Nilfisk-Advance Italia Spa
Località Novella Terza
26862 Guardamiglio (LO)
Italy
☎ +39 0377 414067-54 – Fax +39 0377 414097
www.nilfisk-advance.com

PORTUGAL

Nilfisk-Advance Lda.
Rua Cândido de Figueiredo, 91-i, 1500-133 LISBOA
☎ 01/7784142 – Fax 01/7785613
Porto 02/526766 – Fax 02/520739
Açores 096/628092/3 – Fax 096/628129
Madeira 091/228965 – Fax 091/228796

GREECE

Embiom S.A.
Λεωφ. Βουλιαγμένης 60
Αργυρούπολη
164 52 Αθήνα
☎ 9950613 - Fax 9951680



Material Composition of the Nilfisk BA 600

