



Electronic Service Manuals

This electronic document is provided as a service to our customers. We do not create the contents of the information contained in this document. Should you have detailed questions pertaining to the information contained in this document, you may contact Michco, or the manufacturer which provided the original information in this electronic deliverable. Michco's only part in this electronic deliverable was the electronic assembly process.

You may contact Michco through the following methods:
Phone (517) 484-9312 or (800) 331-3339 MI, OH, IN only
2011 N. High St. -- Lansing, Michigan -- 48906
Fax: (517) 484-9836
Email: CustServ@Michco.com
Web site: www.Michco.Com
Parts Web site: www.FloorMachineParts.Com

Order Parts on Line at:
www.FloorMachineParts.Com

Directly to Parts & Service:
By Email: **Shop@Michco.com**
By Fax: (517) 702-2041
By Voice: Use numbers above.

Serving the Cleaning Industry Since 1922

Notice: All copyrighted material remains property of original owners, all trademarks are property of respective owners. Manuals are subject to Manufacturer's reproduction limitations. Originals or reproductions were provided by manufacturers through a request. We make no warranty as to the correctness of information provided in this document and you assume all risk.

Convertamatic™ 20B



PARTS LIST

Advance MODEL 56324500(OBSOLETE)

This parts list is for machines after serial number 1090926



**Nilfisk
Advance**

setting standards

10/95 revised 3/01 Form Number 56042304

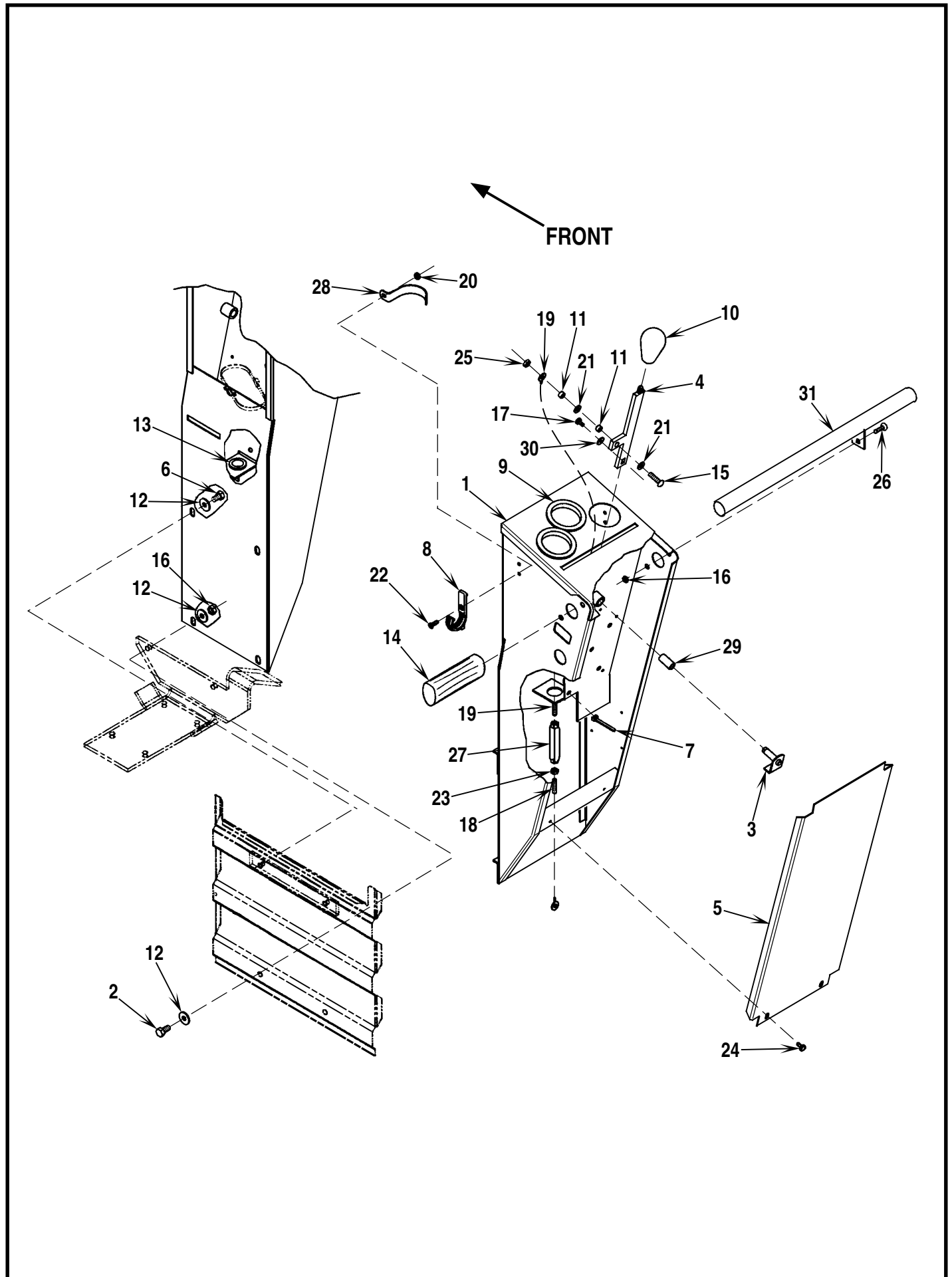
TABLE OF CONTENTS

<u>DESCRIPTION</u>	<u>PAGE</u>
Handle System	1-2
Battery Case System	3-4
Chassis and Axle System	5-6
Brush Drive System	7-8
Solution System	9-10
Recovery and Vacuum Motor System	11-12
Squeegee System	13-14
Decal System	15-16
Electrical System	17-18
Wiring Diagram	19-20

WHEN ORDERING PARTS

- * Use the 8 digit numbers from the "Ref. No." columns in this parts list.
- * Specify the model and serial number of the machine.
- * Use the space below to record the model and serial number for future reference.

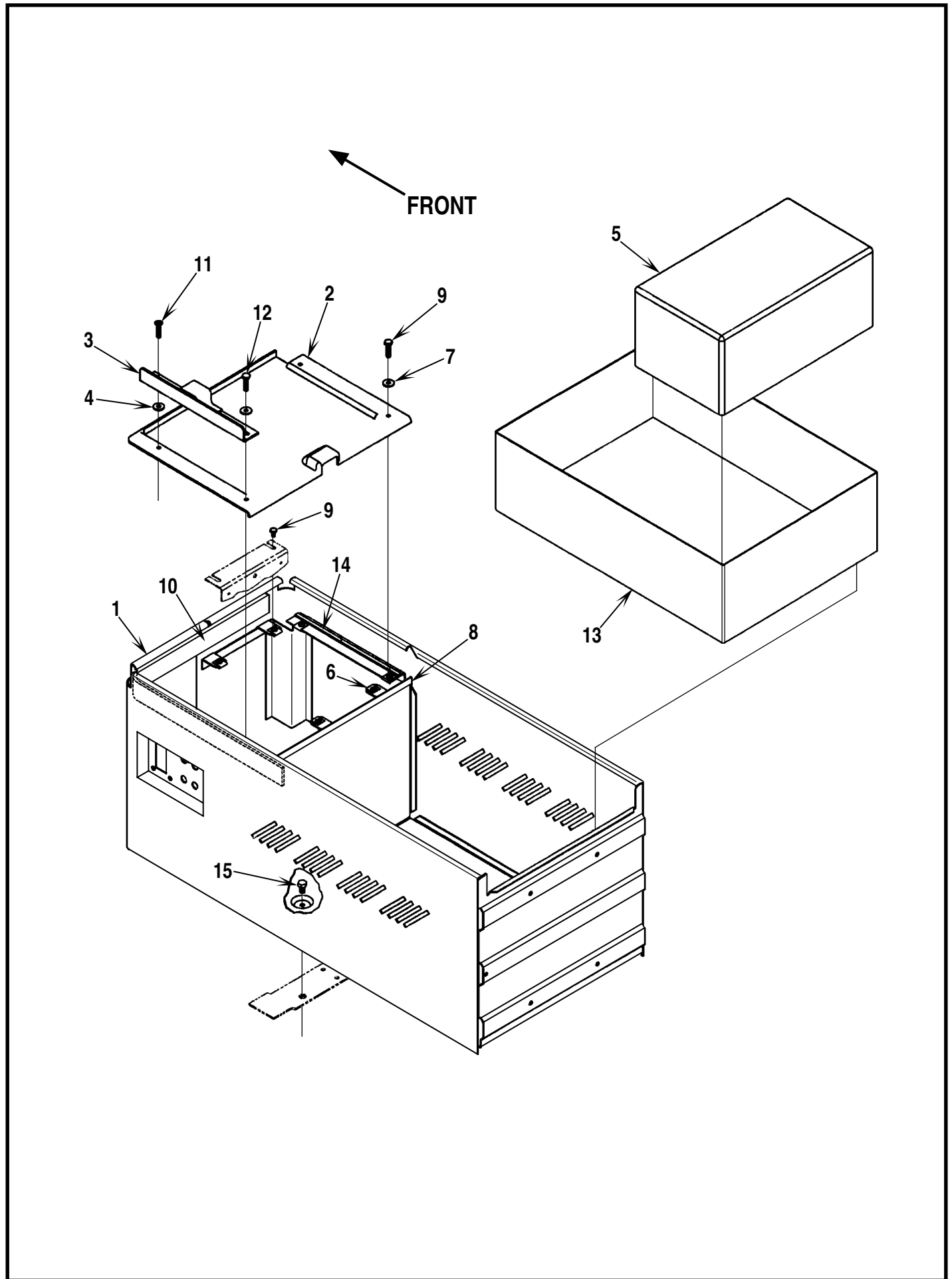
Model _____ Serial No. _____



HANDLE SYSTEM

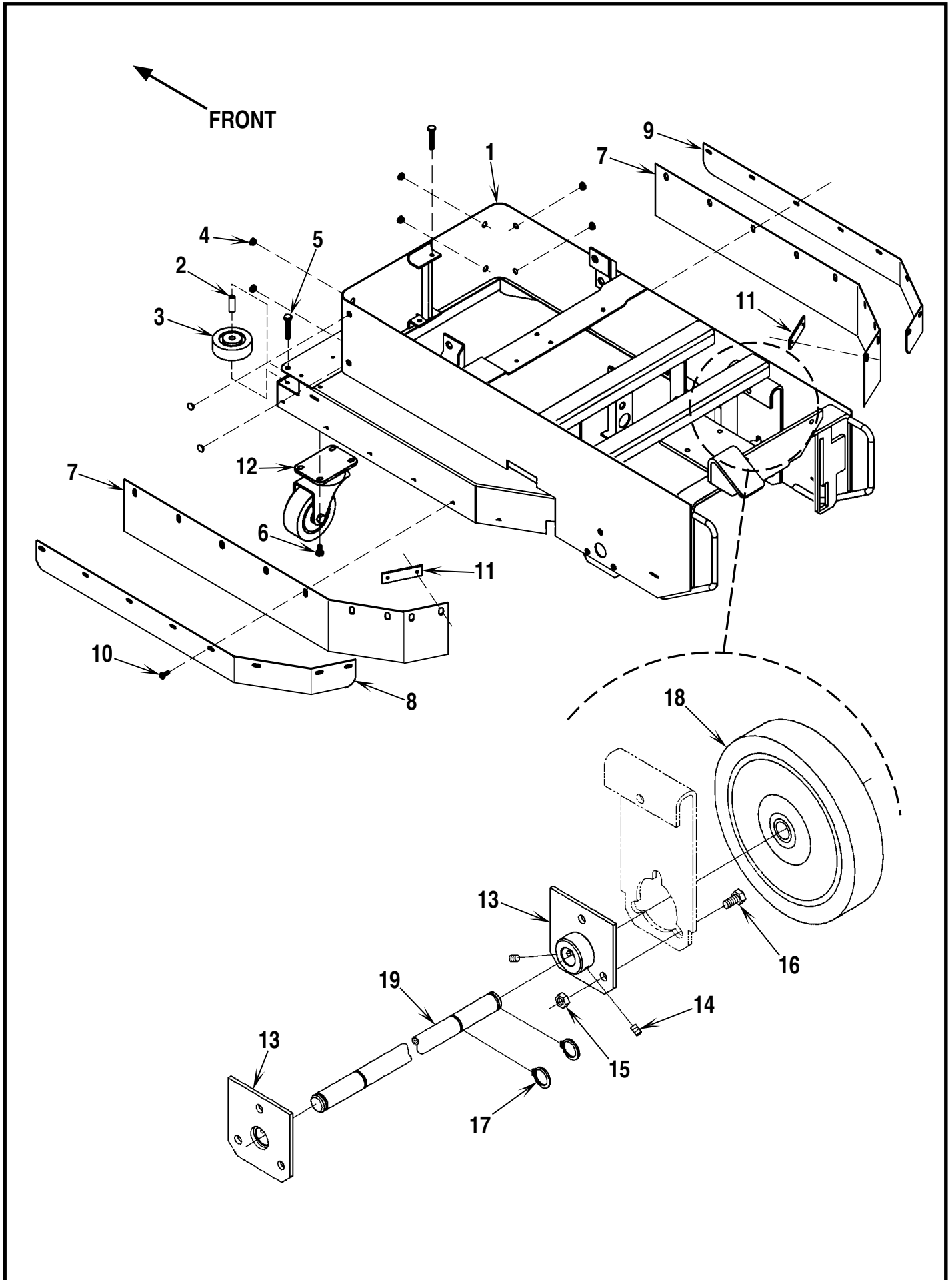
Item	Ref. No.	Qty	Description
1	56324111	1	Handle Weld't
2	56002221	2	Scr, Hex 5/16-18 x 1.00
3	56324361	1	Actuator Weld't
4	56324129	1	Handle Weld't
5	56324130	1	Cover
6	56002035	2	Scr, Hex 5/16-18 x .62
7	56900753	2	Push Tie
8	56324349	1	Hook
9	56324195	2	Grommet
10	56364527	1	Knob
11	56206784	2	Bushing
12	56001939	6	Wsh, Flt 5/16
13	56491648	1	Bearing, Flange
14	56395884	2	Grip, Handle
15	56002292	1	Scr, Pan Hd Ph 1/4-20 x 1.00
16	56002701	4	Nut, Hex Nyl Loc 5/16-18
17	56002926	1	Scr, Hex Hd Loc 10-24 x .38
18	56324326	1	Wire Rope Assy RH
19	56324036	1	Wire Rope Assy LH
20	56002768	4	Nut, Hex Nyl Loc 10-24
21	56009025	2	Wsh, Flt .26 x .75 x .03
22	56002099	1	Scr, Flt Phil 10-24 x .62
23	56009087	1	Nut, Hex Jam 1/4-20
24	56009012	2	Scr, Hex Thd Form 10-24 x .38
25	56002708	1	Nut, Hex Nyl Loc 1/4-20
26	56002281	1	Scr, Pan Phil 5/16-18 x .50
27	56206814	1	Turn Buckle 1/4 x 2.88
28	56180030	1	Clamp
29	56200972	1	Bearing, Sleeve
30	56009096	1	Wsh, Flt .19 x .87 x .06
31	56324488	1	Handle Bar Weld't
*	56015592	6	Decal, Cover

* = Not Shown



BATTERY CASE SYSTEM

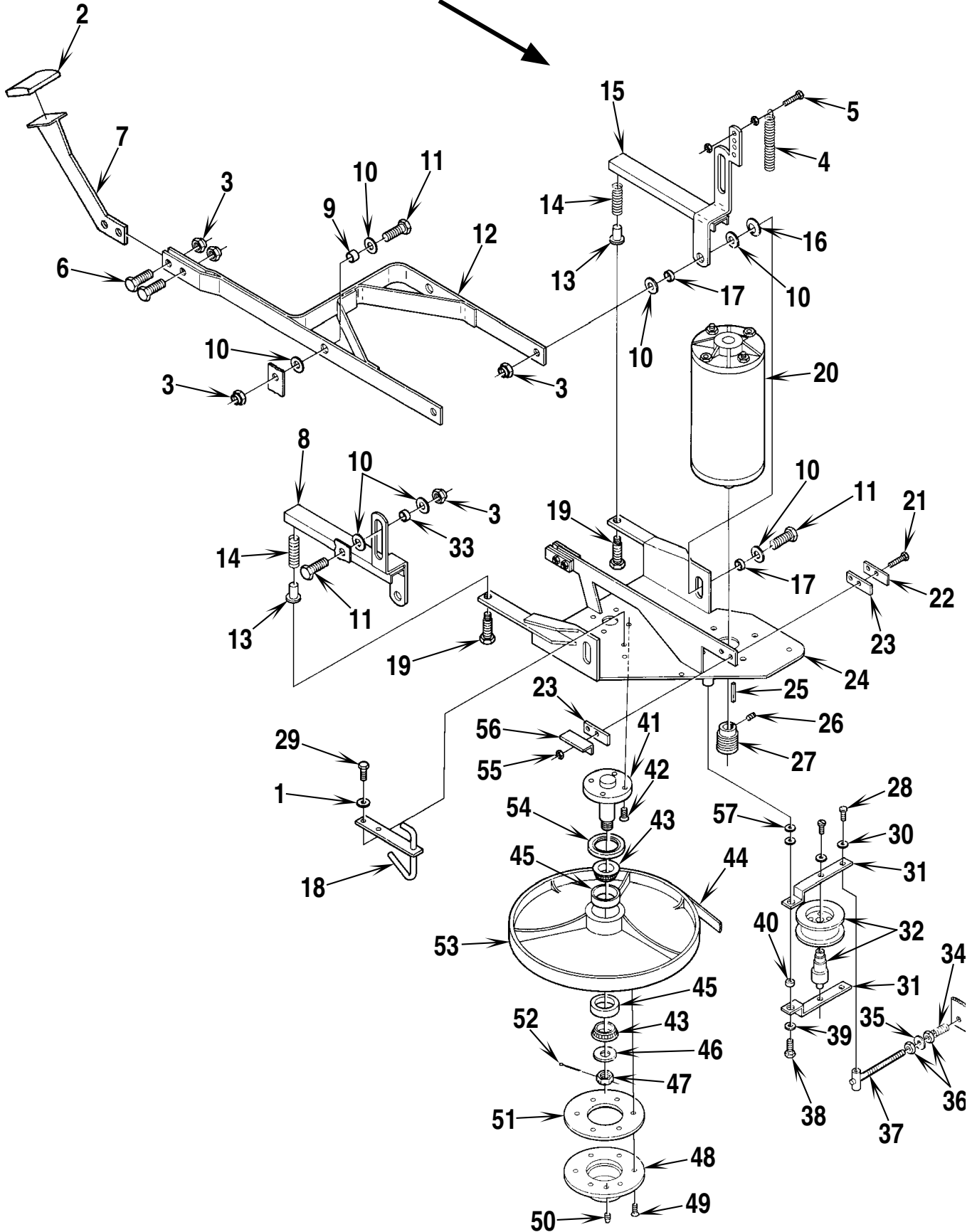
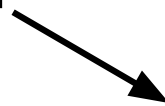
Item	Ref. No.	Qty	Description
1	56324064	1	Battery Case Weld't
2	56324071	1	Cover
3	56324072	1	Support Bracket Weld't
4	56324374	1	Washer, Sealing
5	56324357	1	Spacer, Batteries
6	56321520	8	Nut, Clamp 1/4-20
7	56900737	3	Washer, Sealing
8	56755581	15"	Trim (38.55cm)
9	56003039	6	Scr, Hex Loc 1/4-20 x .50
10	56324373	1	Gasket
11	56002921	1	Scr, Flt Phil Loc 1/4-20 x .50
12	56002922	1	Scr, Hex Loc 1/4-20 x .62
13	56374905	1	Tray, Plastic
14	56209434	9"	Gasket (23.13cm)
15	56002923	2	Scr, Hex Loc 5/16-18 x .50



CHASSIS AND AXLE SYSTEM

Item	Ref. No.	Qty	Description
1	56324153	1	Chassis Weld't
2	56360139	2	Bushing
3	56324350	2	Wheel
4	56153699	8	Plug Button
5	56009028	3	Scr, Hex Thd Form 1/4-20 x 1.50
6	56009033	6	Scr, Hex Thd Form 1/4-20 x .50
7	56382905	2	Guard, Rubber
8	56324286	1	Strap, Left
9	56324287	1	Strap, Right
10	56009039	16	Scr, Hex Thd Form 10-24 x .50
11	56324220	2	Bar
12	56206725	2	Caster
13	56324230	2	Axle Mount Weld't
14	56002930	4	Scr, Soc Set Loc 1/4-20 x .38
15	56002701	6	Nut, Hex Nyl Loc 5/16-18
16	56002037	6	Scr, Hex Hd 5/16-18 x .88
17	56900884	4	Ret. Ring
18	56377945	2	Wheel, W/Bearing 8.00
19	56324231	1	Shaft, Axle

FRONT

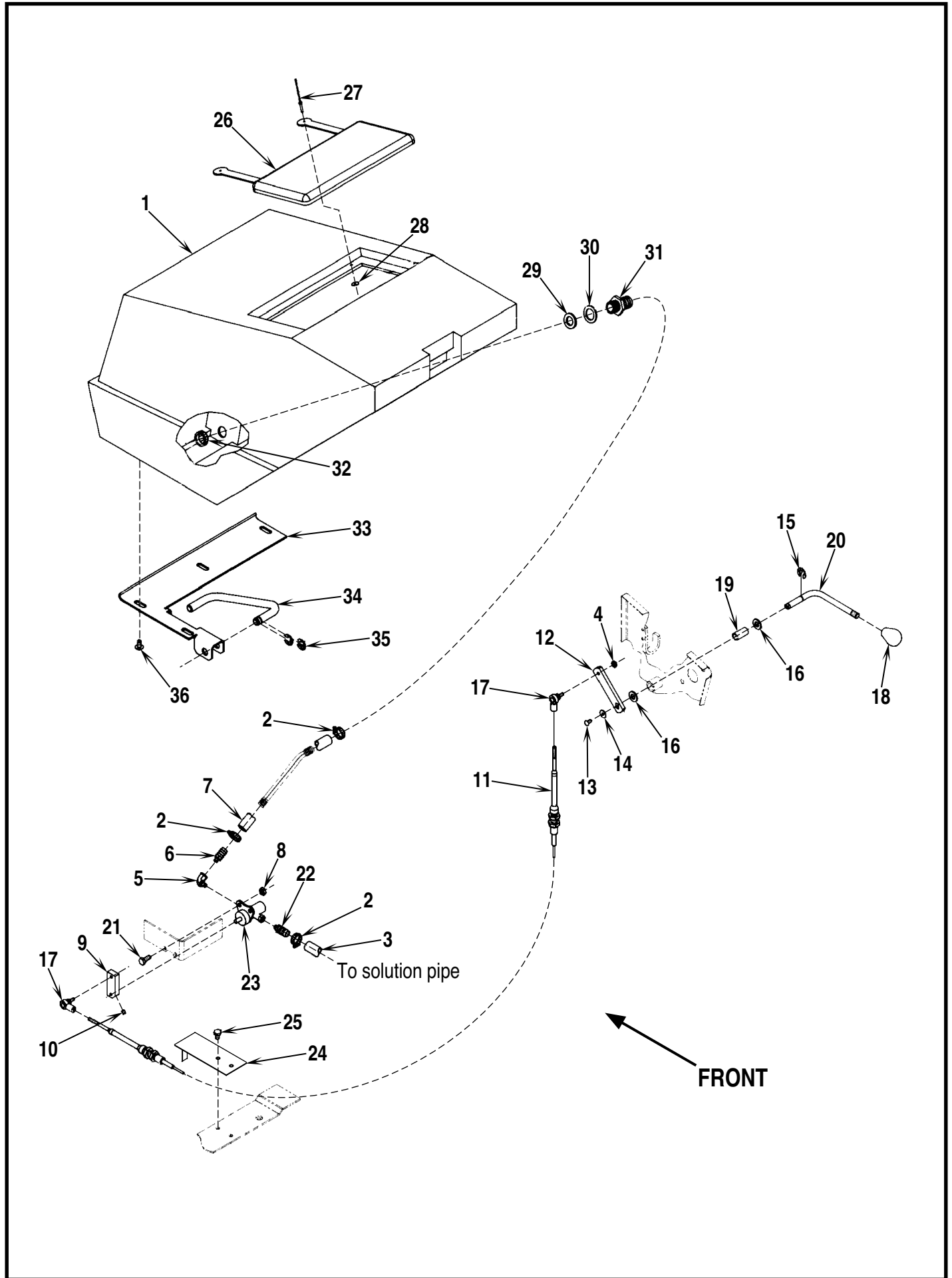


BRUSH DRIVE SYSTEM

Item	Ref. No.	Qty	Description	Item	Ref. No.	Qty	Description
1	56151114	2	Washer	41	56171056	1	Shaft
2	56365002	1	Pad, Rubber	42	56002569	4	Scr, Thd Form 10-24 x .50
3	56002843	8	1/2-13 Thin Nyl Loc Nut	43	56378267	2	Bearing
4	56398606	1	Spring, Extension	44	56171200	1	Belt
5	56002093	1	Scr, Hex Hd 1/4-20 x 1.00	45	56378259	2	Bearing Race
6	56001995	2	Scr, Hex Hd 1/2-13 x 1.75	46	56163449	1	Washer
7	56324386	1	Plate	47	56158313	1	Nut
8	56385890	1	Bracket	48	56163430	1	Drive Cap (Silver/NP-47)
9	56360627	2	Bushing		56163431	1	Drive Cap (Gold/NP-92)
10	56009017	14	Washer	49	56002569	6	#10-24 x 1/2 Flat Hd HP-5 Screw
11	56001931	6	1/2-13 x 1-1/4 Bolt	50	56361321	1	Catch
12	56324380	1	Brush Linkage	51	56158275	1	Gasket
13	56386216	2	Guide Bushing	52	56001882	1	1/16 x 1 Cotter Pin
14	56373869	2	Spring	53	56171376	1	Pulley
15	56385893	1	Bracket	54	56171078	1	Seal
16	56009130	2	Bowed Washer	55	56002708	6	1/4-20 Nyl Loc Nut
17	56382086	4	Bushing	56	56382984	1	Bracket
18	56385776	1	Solution Pipe	57	56151041	2	Washer, Spring
19	56002470	2	Scr, Hex Hd 3/8-16 x 2.00				
20	56386261	1	Brush Drive Motor				
*	56386263	1	Carbon Brush Set (for 56386261)	**	56505058	1	Magna Grit™ 46 Brush
21	56001878	4	1/4-20 x 1-1/4 Screw	**	56505048	1	Dyna Grit™ 80 Brush
22	56386160	3	Plate	**	56505079	1	MidLite Grit™ 180 Brush
23	56386105	4	Wear Strip	**	56505083	1	MidGrit™ 240 Brush
24	56385914	1	Bracket	**	56505063	1	AgLite™ 500 Brush
25	56443719	1	3/16 x 1-3/8 Key	**	56505450	1	Prolene Brush
26	56002086	2	5/16-18 x 1/4 Set Screw	**	56505077	1	ProLite™ Brush
27	56171088	1	Sheave	**	56505454	1	Union Mix Brush
28	56002926	4	#10-24 x 3/8 Loc Screw	**	56505455	1	Short-Trim Pad Holder
29	56002514	2	1/4-20 x 3/4 HP-5 Screw				
30	56001954	4	#10 Flat Washer				
31	56386290	2	Bracket	**	56505921	1	Magna Grit™ 46 Brush
32	56171734	1	Idler Assembly	**	56505922	1	Dyna Grit™ 80 Brush
	56171735	1	Pulley	**	56505928	1	MidLite Grit™ 180 Brush
	56171733	1	Shaft	**	56505927	1	MidGrit™ 240 Brush
33	56365030	2	Bushing	**	56505923	1	AgLite™ 500 Brush
34	56171271	1	Spring	**	56505924	1	Prolene Brush
35	56001939	1	5/16 Flat Washer	**	56505925	1	ProLite™ Brush
36	56002701	2	5/16-18 Nyl Loc Nut	**	56505926	1	Union Mix Brush
37	56386273	1	Linkage	**	56505920	1	Short-Trim Pad Holder
38	56002960	1	1/4-20 x 7/8 Loc Screw	**	56505280	1	Level-Set Pad Holder
39	56002098	1	1/4 Flat Washer				
40	56368989	1	Bushing	**	56393567	1	"Big Mouth" Pad Retainer
				**	56506001	1	Clutch Plate (Silver/NP-47)
				**	56506006	1	Clutch Plate (Plastic/NP-92)

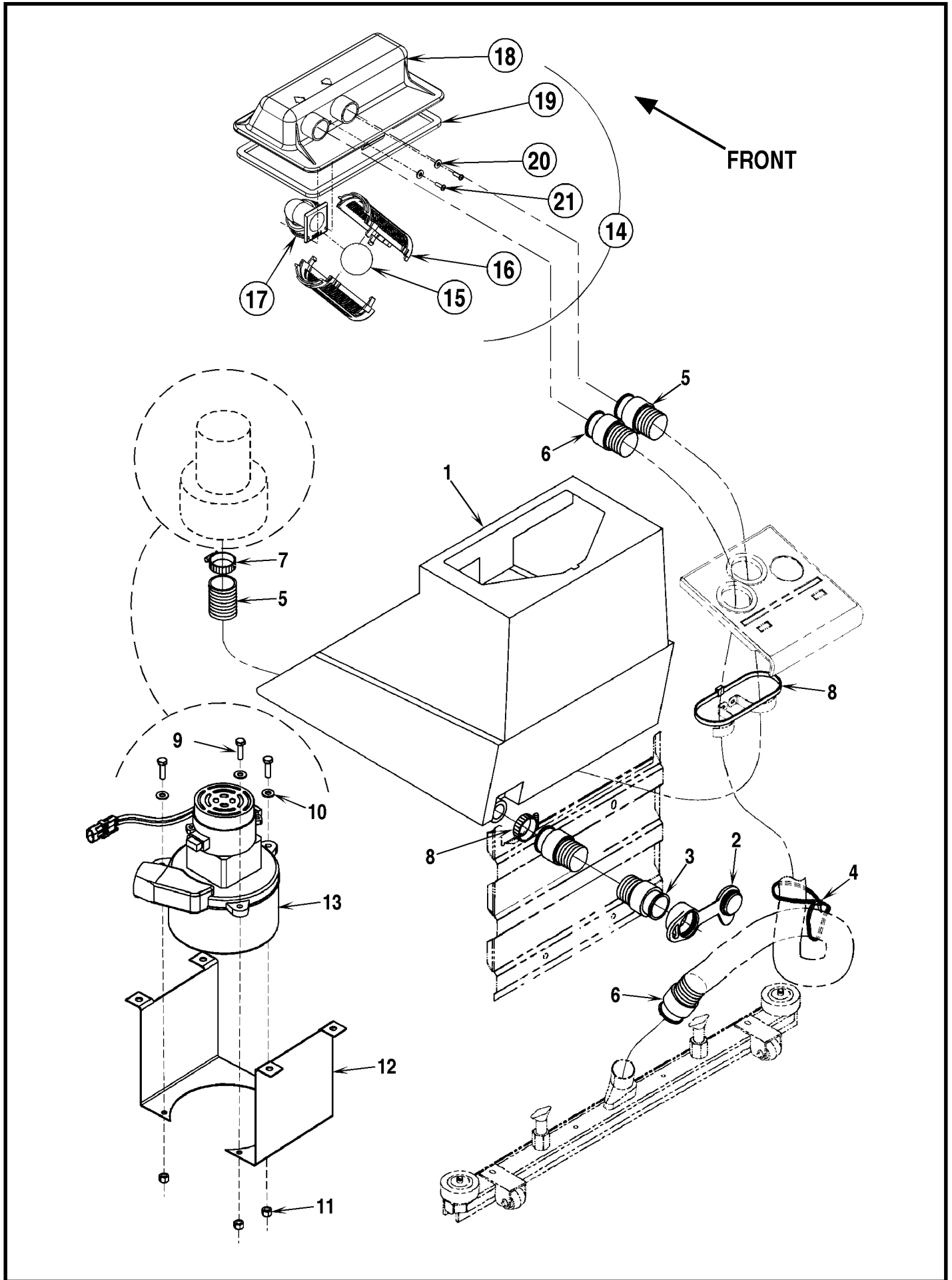
* = Not Shown

** = Optional Accessory, Not Included



SOLUTION SYSTEM

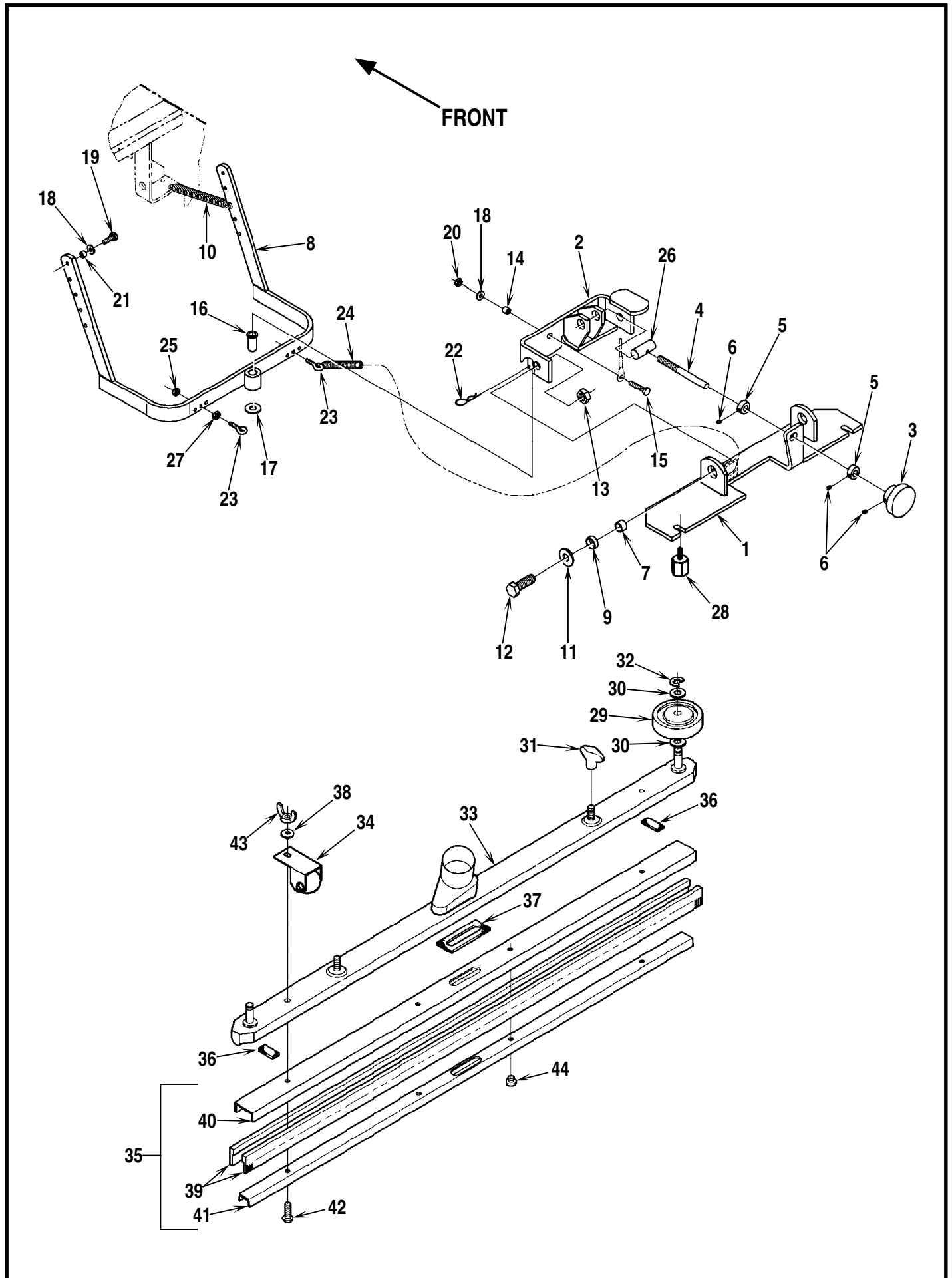
Item	Ref. No.	Qty	Description
1	56324211	1	Tank, Solution
	56324449	1	Solution Tank Assy (#1, 26-36)
2	56219932	3	Hose Clamp
3	56456830	1	Hose, Spiral
4	56002873	1	Nut, Hex Nyl Loc 10-32
5	56369632	1	Elbow
6	56373456	1	Fitting 1/4 NPT x 1/2 Barb
7	56324249	1	Hose
8	56002708	2	Nut, Hex Nyl Loc 1/4-20
9	56324089	1	Handle, Valve
10	56002015	1	Scr, Soc Set Loc 10-24 x .25
11	56324205	1	Cable, Control
12	56324206	1	Bar, Linkage
13	56002926	1	Scr, Hex Loc 10-24 x .38
14	56009096	1	Wsh, Flt .19 x .87 x .06
15	56312427	1	Ring Ret. Ext. 3/8E
16	56002063	2	Wsh, Flt SAE 3/8
17	56488290	2	Rod End #10
18	56378534	1	Knob
19	56200972	1	Bearing
20	56324216	1	Rod, Valve Control
21	56001836	2	Scr, Hex 1/4-20 x .62
22	56155640	1	Fitting 1/4 NPT x 3/8 Barb
23	56368903	1	Valve 2 Way 1/4
24	56324483	1	Bracket, Cable End
25	56002093	2	Scr, Hex 1/4-20 x 1.00
26	56386062	1	Cover Assy
	56386166	1	Cover
	56263379	2	Strap
27	56003293	2	Rivet, Pop
28	56009098	2	Wsh, Flt SS .12 x .50 x .03
29	56154717	1	Washer
30	56249625	1	Restrainer
31	56324492	1	Barb
32	56393187	1	Nut, 3/4-16
33	56324077	1	Panel
34	56324076	1	Rod, Support
35	56324204	2	Ret. Ring Ext. "E"
36	56009069	4	Scr, Pan Phil Loc 1/4-20 x .50



RECOVERY AND VACUUM MOTOR SYSTEM

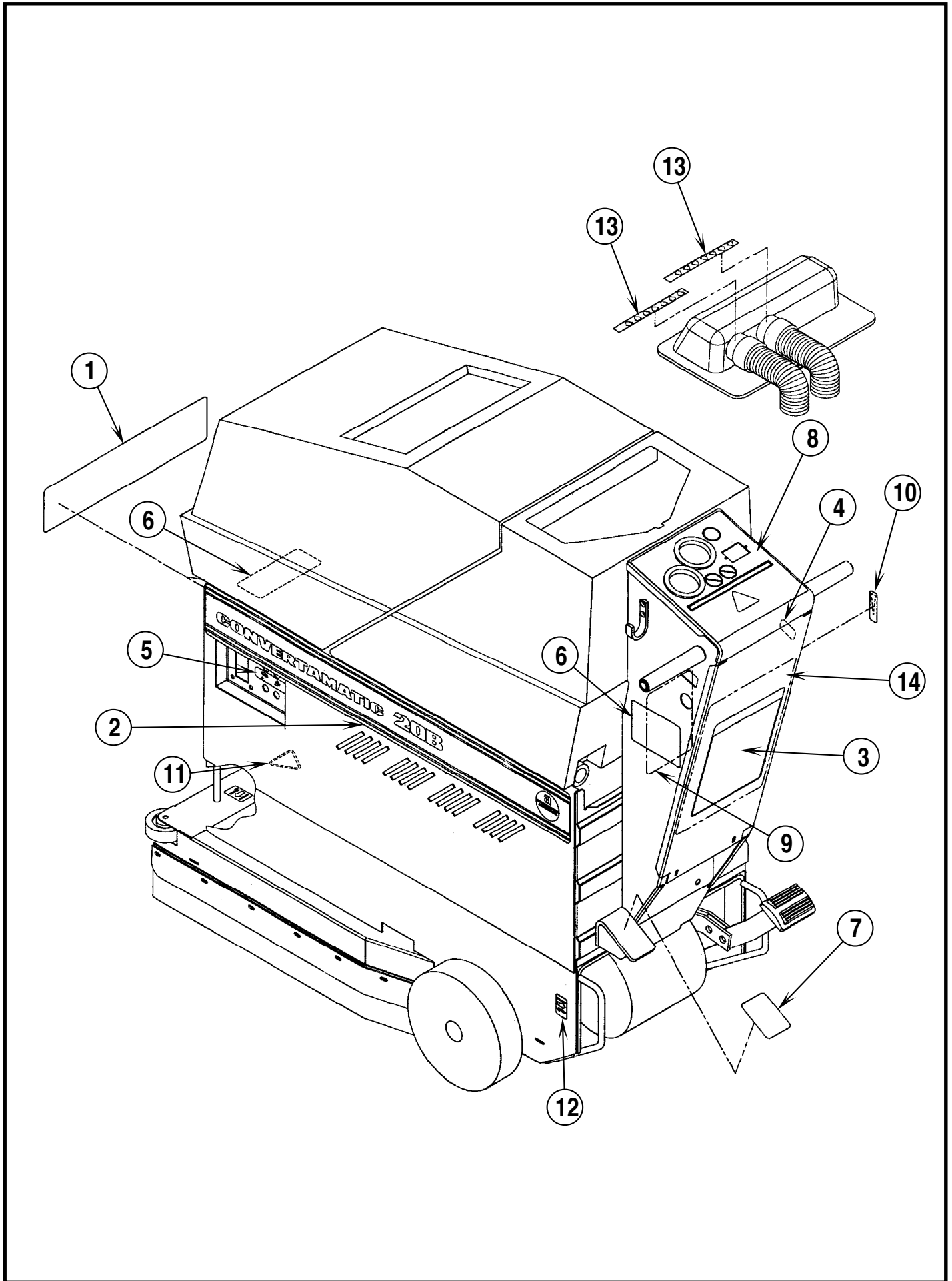
Item	Ref. No.	Qty	Description
1	56324179	1	Tank, Recovery
2	56324180	1	Plug, Drain
3	56372216	1	Hose, Drain
4	56393381	1	Tie, Wire
5	56391753	1	Hose, Vacuum Motor
6	56324255	1	Hose, Squeegee
7	56329145	2	Clamp, Hose
8	56477613	5	Cable Tie
9	56002093	3	Scr, Hex Hd 1/4-20 x 1.00
10	56002098	3	Wsh, Flt SAE 1/4
11	56002708	3	Nut, Hex Nyl Loc 1/4-20
12	56324485	1	Mount, Vac Motor
13	56324489	1	Vacuum Motor
*	56503003	1	Carbon Brush Set for 56324489
14	56324045	1	Cover Assembly (#15-21)
15	56391690	1	Ball
16	56324497	2	Cage, Float
17	56324298	1	Elbow, Float
18	56324046	1	Cover, Tank
19	56262576	1	Gasket
20	56209261	2	Washer, Sealing 9/16
21	56003633	2	Scr, Pan Phil SS Type B 10-16 x .50

* = Not Shown



SQUEEGEE SYSTEM

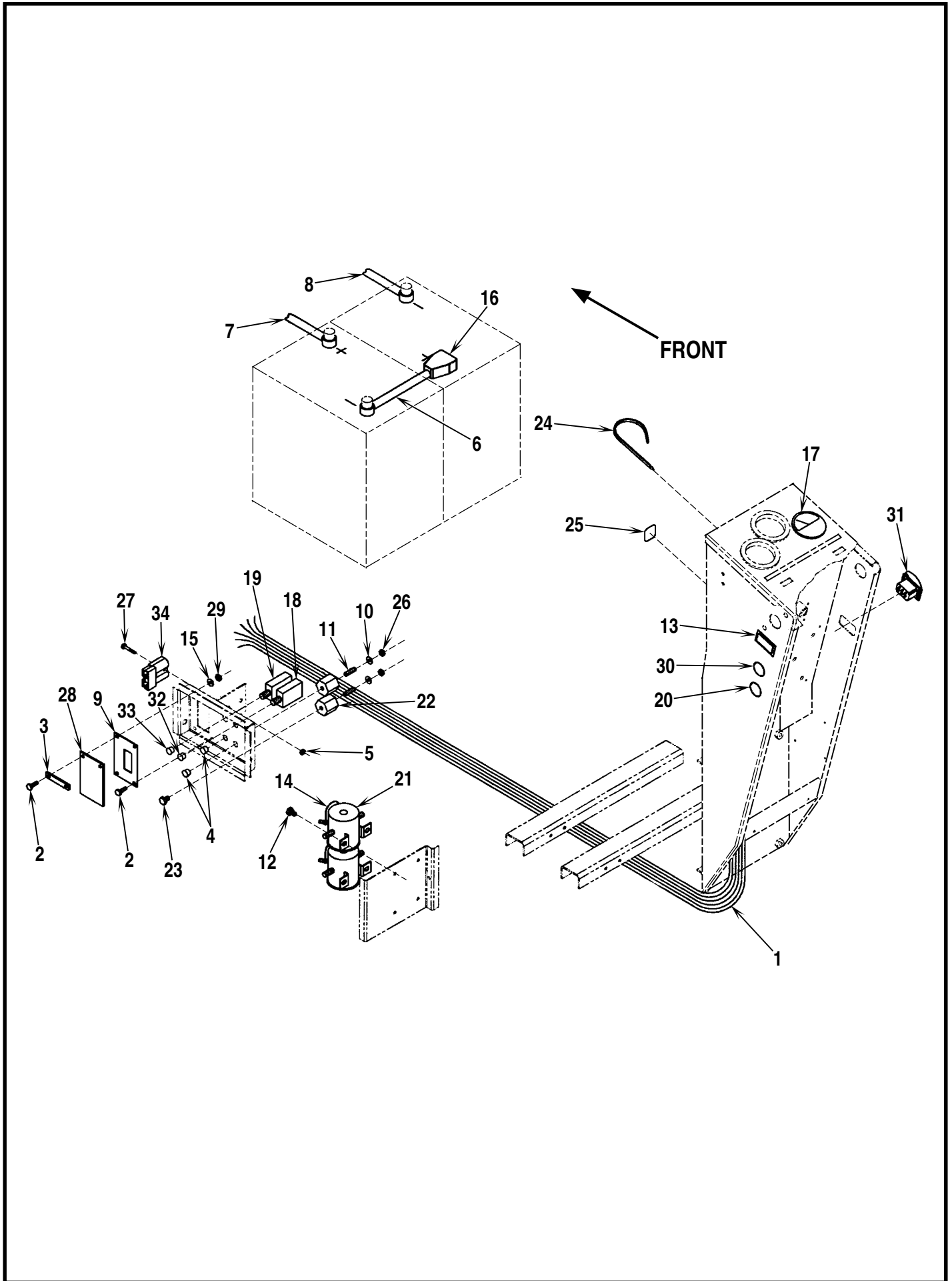
Item	Ref. No.	Qty	Description
1	56324405	1	Mount Weld't
2	56324404	1	Mount Weld't
3	56475480	1	Knob
4	56391855	1	Rod
5	56331076	2	Collar
6	56009084	3	Scr, Soc Set Loc 10-24 x .19
7	56360627	2	Bushing
8	56324432	1	Linkage Weld't
9	56478781	2	Bearing, Sleeve
10	56448112	2	Spring Ext.
11	56001879	2	Wsh, Flt SAE 1/2
12	56001968	2	Scr, Hex Hd 1/2-13 x 1.50
13	56002770	2	Nut, Hex Nyl Loc 1/2-13
14	56324321	1	Bushing
15	56001821	1	Scr, Hex Hd 1/4-20 x .88
16	56492471	1	Bearing
17	56009068	1	Washer 7/16
18	56002098	3	Wsh, Flt SAE 1/4
19	56009018	2	Scr, HWH HP5 1/4-20 x .75
20	56002708	1	Nut, Hex Nyl Loc 1/4-20
21	56206784	2	Bushing
22	56002959	1	Pin, Hair
23	56388599	2	Eye Bolt
24	56470672	2	Spring
25	56002832	2	Nut, Hex Nyl Loc-Thin 10-24
26	56324369	1	Pin
27	56009009	2	Nut, Hex 10-24
28	56393386	2	Spacer
	56372975	1	Squeegee Asembly (#29-44)
29	56363855	2	Wheel
30	56009047	4	Wsh, Flt .31 x .62 x .06
31	56370711	2	Thumb Nut 5/16-18
32	56003269	2	Ring Ret. Ext. Type E
33	56372978	1	Channel Weld't
34	56387376	2	Roller Assy
35	56372992	1	Cartridge Assy Blue (#39-44)
36	56400614	2	Gasket
37	56400613	1	Gasket
38	56002098	2	Wsh, Flt SAE 1/4
39	56105535	2	Blade, Squeegee
40	56105554	1	Channel
41	56105555	1	Retainer
42	56003067	2	Scr, Pan Phil SS 1/4-20 x 1.00
43	56003089	2	Nut, Wing Loc 1/4-20
44	56003037	2	Scr, Pan Phil SS 1/4-20 x .25



DECAL SYSTEM

Item	Ref. No.	Qty	Description
1	56015834	1	Decal, Stripe Front
2	56015833	1	Decal, Stripe Left
*	56015832	1	Decal, Stripe Right
3	56014601	1	Decal, Caution
4	56015422	1	Decal, Power
5	56015848	1	Decal, Reset
6	56016025	2	Decal, Caution
7	56324440	1	Pad, Grip
8	56016158	1	Decal, Control
9	56015414	1	Decal, Batteries
10	56016334	1	Decal, Solution Valve
11	56015506	1	Decal, Rotating Brush Hazard
12	56015370	4	Decal, Tie Down
13	56015655	2	Decal, Direction
14	56015843	1	Decal, Wiring

* = Not Shown



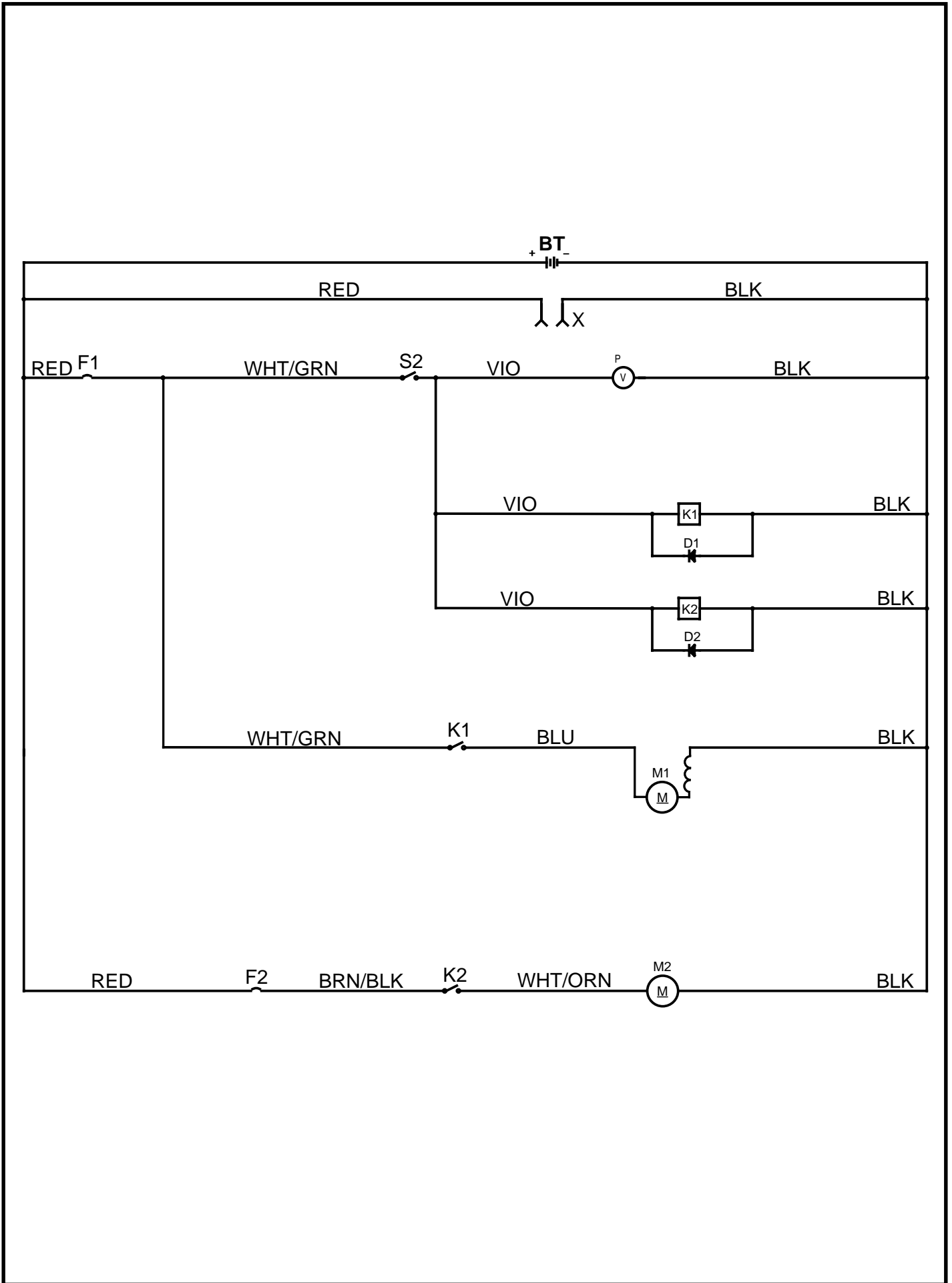
ELECTRICAL SYSTEM

Item	Ref. No.	Qty	Description
1	56324464	1	Wiring Harness
2	56002504	4	Scr, Hex Hd 10-24 x .75
3	56324085	1	Strap
4	56493149	2	Plug
5	56002830	2	Nut, Hex Nyl Loc 6-32
6	56363928	3	Battery Cable
7	56324284	1	Battery Cable
8	56372526	1	Battery Cable
9	56324304	1	Plate
10	56009064	2	Wsh, Int SHPRF 1/4
11	56009020	2	Stud, 1/4-20 x .88
12	56009019	4	Scr, Hex Thd Form 1/4-20 x .38
13	56260155	1	Plug
14	56389265	2	Diode Assy
15	56001954	4	Wsh, Flt SAE #10
16	56372673	8	Boot, Battery
17	56389529	1	Meter, Battery
*	56492305	2	Rubber, Boot
18	56469788	1	Vac Motor Circuit Breaker, 25 Amp
19	56454423	1	Brush Motor Circuit Breaker, 30 Amp
20	56900144	1	Plug, Cap
21	56468358	2	Solenoid
22	56469858	2	Stand Off, Insulated
23	56002933	2	Scr, Hex Loc 1/4-20 x .38
24	56900753	2	Tie, Push Mount
25	56015592	2	Decal, Cover
26	56009087	2	Nut, Hex Jam 1/4-20
27	56003009	2	Scr, Hex Hd 6-32 x 1.00
28	56324086	1	Flap
29	56002768	4	Nut, Hex Nyl Loc 10-24
30	56015842	1	Decal, Cover
31	56262551	1	Switch, Rocker SPST
32	56459367	1	Boot, Reset Button
33	56459368	1	Boot, Reset Button
34	56324305	1	Charger Plug Housing
*	56324306	2	Charger Plug Contact
*	56324307	1	Battery Charger Adapter Note #1
**	56206962	2	Battery, 12V / 93AH (std.)
**	56376014	4	Battery, 6V/244AH (opt.)
**	56206981	1	Automatic Battery Charger, 24V / 10A (use with 12V batteries)
**	56372947	1	Automatic Battery Charger, 24V / 20A (use with 6V batteries)

* = Not Shown

** = Not Included

Note #1: Battery Charger Adapter with (1) small red plug and (1) large red plug. Use only when switching a machine from its original (std) batteries to a (2) or (4) battery pack. **IMPORTANT!!:** Do Not use this adapter to hook up a 24v, 20 amp charger to (2) 12V batteries.



WIRING DIAGRAM

Item	Ref. No.	Qty	Description
BT			Battery 24VDC
D1	56389265	1	Diode
D2	56389265	1	Diode
F1	56469788	1	Vac Motor Circuit Breaker, 25 Amp
F2	56454423	1	Brush Motor Circuit Breaker, 30 Amp
K1	56468358	1	Vac Motor Solenoid
K2	56468358	1	Brush Motor Solenoid
M1	56324489	1	Vacuum Motor
*	56503003	1	Carbon Brush Set (for 56324489)
M2	56386261	1	Brush Drive Motor
*	56386263	1	Carbon Brush Set (for 56386261)
P	56389529	1	Battery Condition Meter
S	56262551	1	Main Switch
X	56324305	1	Charger Connector
*	56324306	2	Charger Plug Contact

* = Not Shown



**Nilfisk
Advance**
setting standards

Nilfisk-Advance, Inc.
14600 21st Avenue North
Plymouth, MN, 55447-3408
www.nilfisk-advance.com
Phone: 800-989-2235
Fax: 800-989-6566

©2001 Nilfisk-Advance, Inc.,
Plymouth, MN 55447-3408
Printed in the U.S.A.