



Electronic Service Manuals

This electronic document is provided as a service to our customers. We do not create the contents of the information contained in this document. Should you have detailed questions pertaining to the information contained in this document, you may contact Michco, or the manufacturer which provided the original information in this electronic deliverable. Michco's only part in this electronic deliverable was the electronic assembly process.

You may contact Michco through the following methods:
Phone (517) 484-9312 or (800) 331-3339 MI, OH, IN only
2011 N. High St. -- Lansing, Michigan -- 48906
Fax: (517) 484-9836
Email: CustServ@Michco.com
Web site: www.Michco.Com
Parts Web site: www.FloorMachineParts.Com

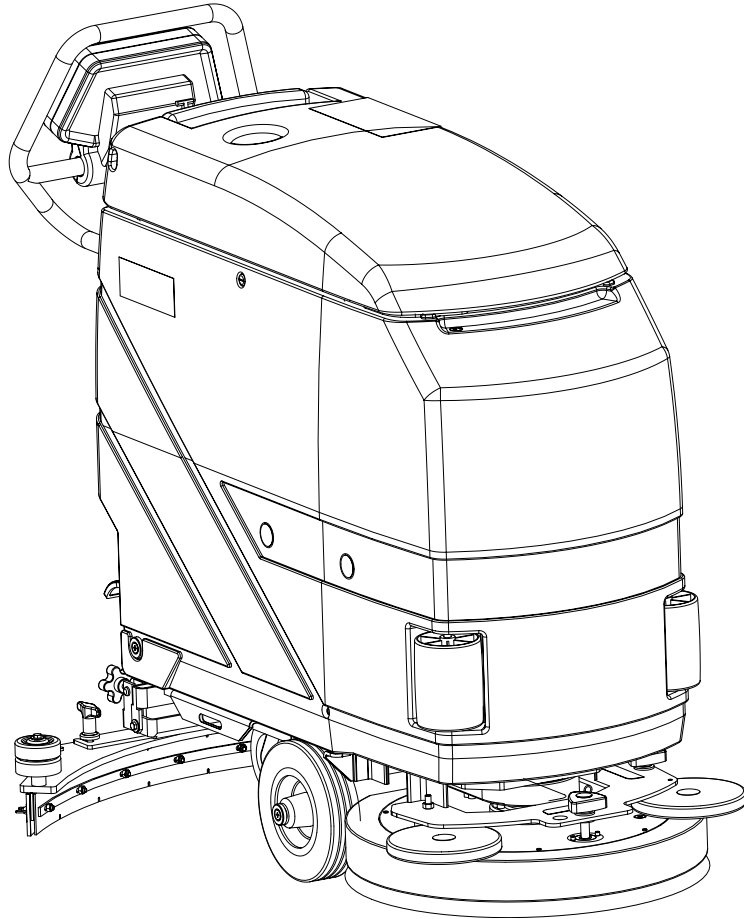
Order Parts on Line at:
www.FloorMachineParts.Com

Directly to Parts & Service:
By Email: **Shop@Michco.com**
By Fax: (517) 702-2041
By Voice: Use numbers above.

Serving the Cleaning Industry Since 1922

Notice: All copyrighted material remains property of original owners, all trademarks are property of respective owners. Manuals are subject to Manufacturer's reproduction limitations. Originals or reproductions were provided by manufacturers through a request. We make no warranty as to the correctness of information provided in this document and you assume all risk.

BA 5321/D - BA 6124D



PARTS LIST

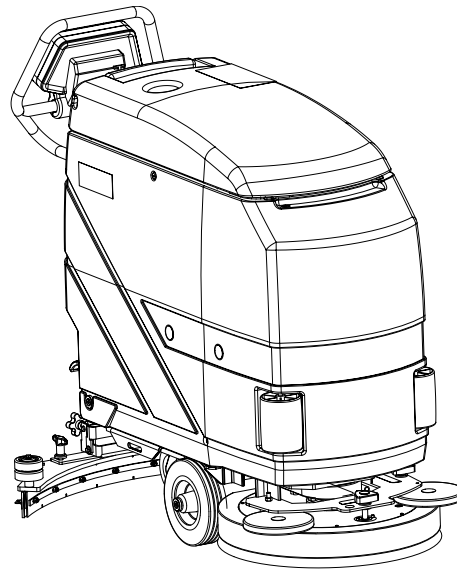
Advance Models:

08838130 - 08838135 - 908 7014 020



Advance
by Nilfisk-Advance

08812649(5)2003-02



| DESCRIPTION | PLAN |
|---|---------|
| Tank Assembly | 2 - 3 |
| Tank Assembly | 4 - 5 |
| Chassis System | 6 - 7 |
| Pedal Lifting | 8 - 9 |
| Brush Drive System BA 5321-BA5321D | 10 - 11 |
| Brush Drive System BA 6124D | 12 - 13 |
| Squeegee System BA 5321-BA 5321D | 14 - 15 |
| Squeegee System BA 6124D | 16 - 17 |
| Switch housing BA 5321D-BA 6124D | 18 - 19 |
| Switch housing BA 5321 | 20 - 21 |
| Control panel Assembly | 22 - 23 |
| Solution System | 24 - 25 |
| Wiring System BA 5321 with battery charger | 26 - 27 |
| Wiring System BA 5321D with battery charger | 28 - 29 |
| Wiring System BA 6124D with battery charger | 30 - 31 |
| Pad holder Assemblies | 32 - 33 |
| Wiring diagram | 34 |
| Wiring diagram | 35 |
| Wiring diagram | 36 |
| Recommended spare parts | 37 |

WHEN ORDERING PARTS

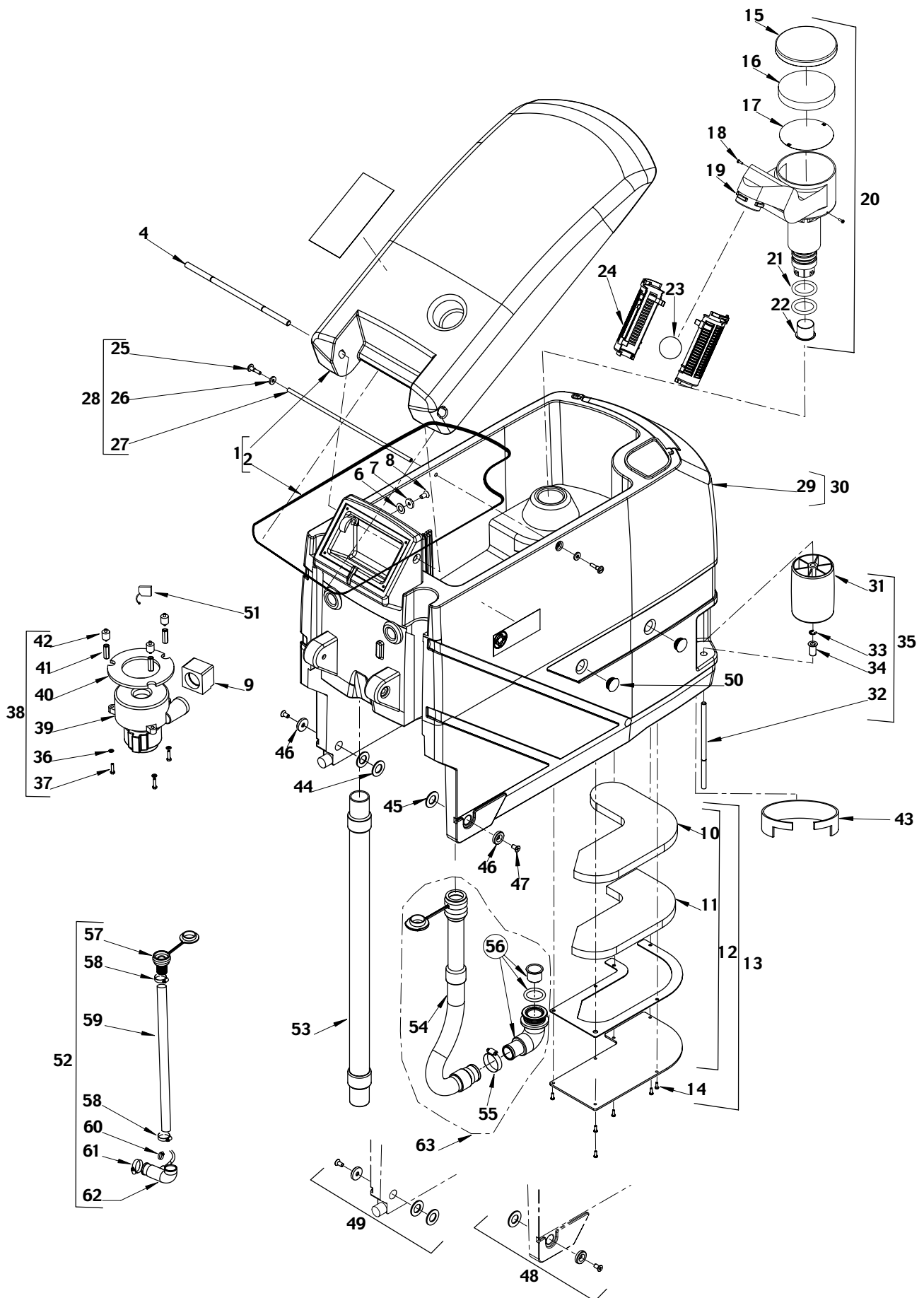
- * Use the 8,9 or 10 digit part numbers from the "Ref. No." columns in this parts list.
 - * Specify the model and serial number of the machine.
 - * Use the space below to record the model and the serial number for future reference.
- Model _____ Serial No. _____

**** = Optional**

= New Item no.

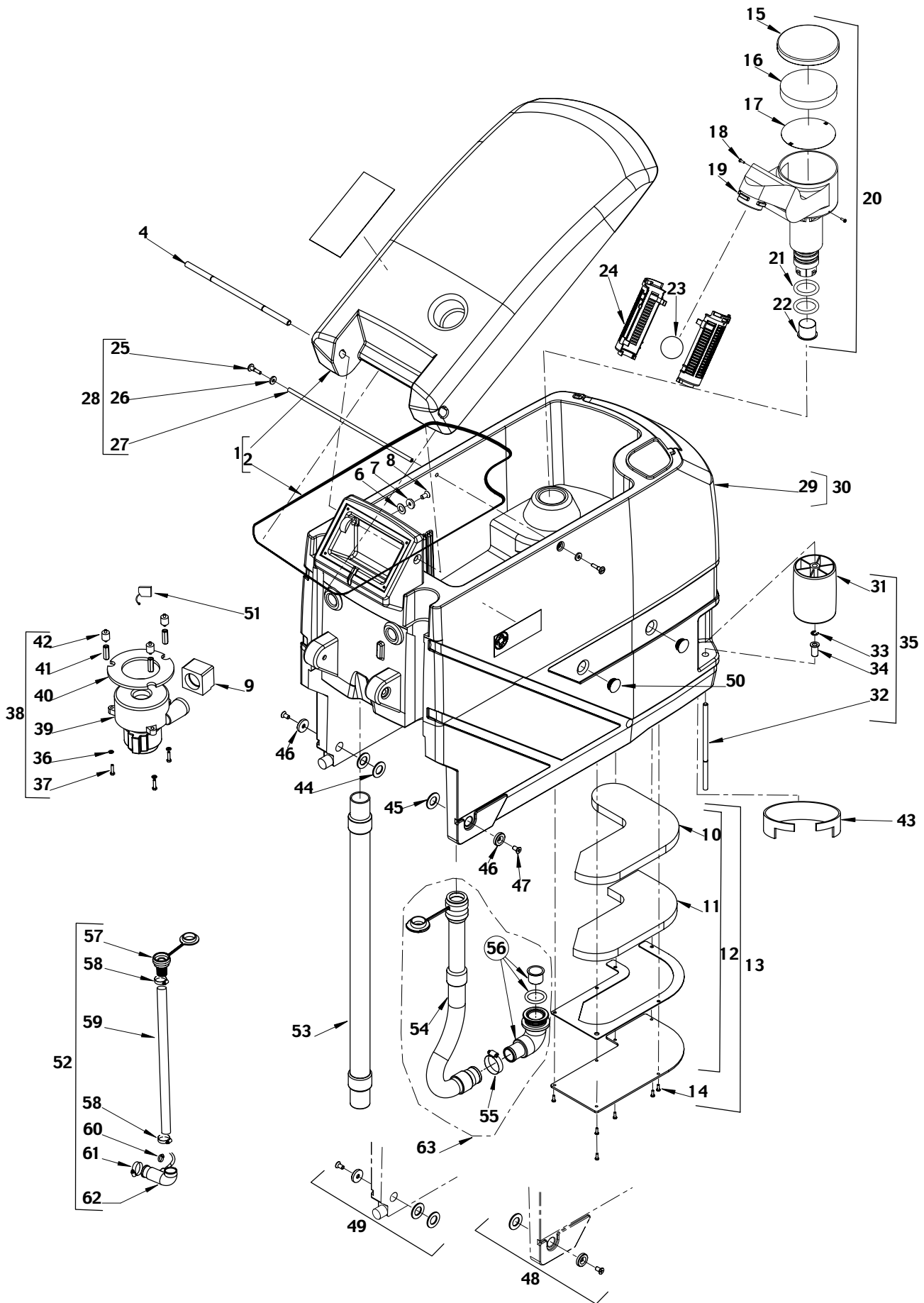
[] = Not shown

xxxxxxx = Included in a Kit



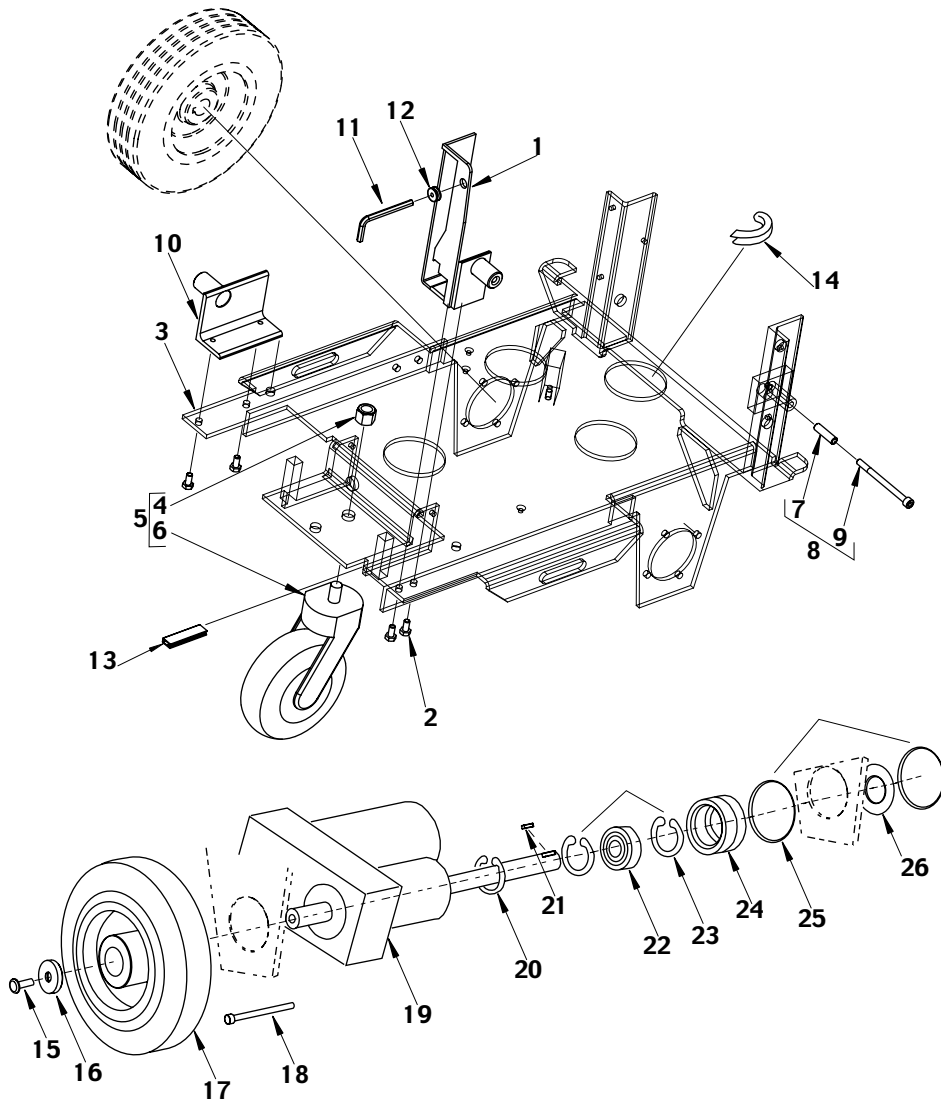
| | | | |
|---------|-------------------------------|--|---|
| 2003-02 | TANK ASSEMBLY | | |
| | BA 5321 - BA 5321D - BA 6124D | | 3 |

| Item no. | Ref. No. | Qty | Description |
|----------|--------------|-----|--|
| 1 | 08812712 | 1 | Tank lid with seal |
| 2 | 56325511 | 1 | Seal |
| 4 | 08812254 | 1 | Axle, tank lid |
| 6 | 56325516 | 2 | Gasket |
| 7 | 56325517 | 2 | Washer flat 10x30 SS |
| 8 | 56325519 | 2 | Screw hex hd |
| 9 | 56325520 | 1 | Sleeve |
| 10 | 56325523 | 1 | Foam acustic upper |
| 11 | 08812443 | 1 | Insulating panel |
| 12 | 08603650 | 1 | Cover w/seal complete |
| 13 | 56325526 | 1 | Acoustic cover/ seal and screw complete |
| 14 | 08812804 | 6 | Screw cyl 4x12 thd form |
| 15 | 56325532 | 1 | Cover pre-filter+screw |
| 16 | 56325529 | 1 | Filter |
| 17 | 08602017 | 1 | Grate |
| 18 | 08603123 | 2 | Screw cyl hd thd form 3,5x11 SS |
| 19 | 08812256 | 1 | Filter housing |
| 20 | 56325534 | 1 | Pre-filter complete |
| 21 | 56325535 | 2 | O-ring |
| 22 | 56325536 | 1 | Sleeve |
| 23 | 56391690 | 1 | Floating ball |
| 24 | 56324497 | 2 | Float cage complete |
| 25 | 08812687 | 2 | Fitting screw M6x16 nylon |
| #26 | 08812686 | 2 | Rubber bushing 7x18x3 |
| 27 | 08812688 | 1 | Tank adjuster pin |
| 28 | 56325539 | 1 | Rod with fastening assy |
| 29 | 08812711 | 1 | Tank |
| #30 | 08812875 | 1 | Tank complete TSB 2001-015 |
| 31 | 56325542 | 2 | Bumper roller |
| 32 | 56325543 | 2 | Axle for bumper roller |
| 33 | 56325544 | 2 | Retaining ring |
| 34 | 56325545 | 2 | Bushing |
| 35 | 56325546 | 2 | Bumper roller assy |
| #36 | 08602395 | 3 | Washer flat M6x12,5 |
| 37 | 08603680 | 3 | Screw hex hd |
| 38 | 56325549 | 1 | Turbine 24V complete |
| #39 | 08603888 | 1 | Vacuum motor 24V w/connector |
| 40 | 56325551 | 1 | Seal |
| 41 | 56325552 | 3 | Distance bolt |
| 42 | 56325553 | 3 | Rubber buffer |
| 43 | 909 5042 000 | 1 | Acustic insulation interchangeable with the previous one |
| 44 | 56325554 | 2 | Washer plastic |
| 45 | 56325555 | 1 | Washer |
| 46 | 56325580 | 2 | Bushing |
| 47 | 56325579 | 2 | Screw 8x20 |
| 48 | 56325558 | 1 | Tank reinforce right assy |
| 49 | 56325559 | 1 | Tank reinforce left assy |
| #50 | 08812457 | 4 | Tank locking cap |
| #51 | 08812887 | 2 | Carbon brush |
| #52 | 08603903 | 1 | Kit clean water hose |
| #53 | 08603883 | 1 | Suction hose |
| #54 | 08812869 | 1 | Drain hose |
| 55 | 145 0543 000 | 1 | Clamp |
| 56 | 08812874 | 1 | Elbow assy. |

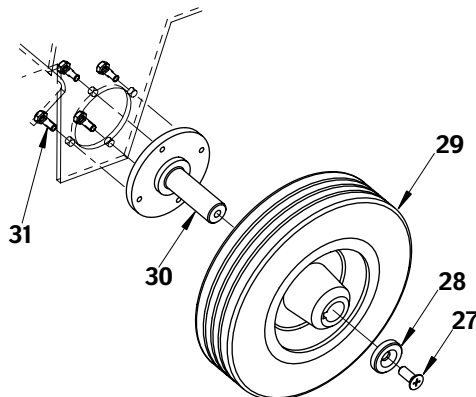


| | | | | |
|---------|-------------------------------|--|--|---|
| 2003-02 | TANK ASSEMBLY | | | |
| | BA 5321 - BA 5321D - BA 6124D | | | 5 |

| Item no. | Ref. No. | Qty | Description |
|----------|----------|-----|--------------------------|
| 57 | 08603868 | 1 | Closure clean water hose |
| 58 | 08603916 | 2 | Clamp |
| 59 | 08603869 | 1 | Hose clean water |
| 60 | 08603901 | 1 | Clamp |
| 61 | 56325632 | 1 | Clamp |
| 62 | 08603870 | 1 | Elbow |
| 63 | 08812873 | 1 | Drain hose kit |

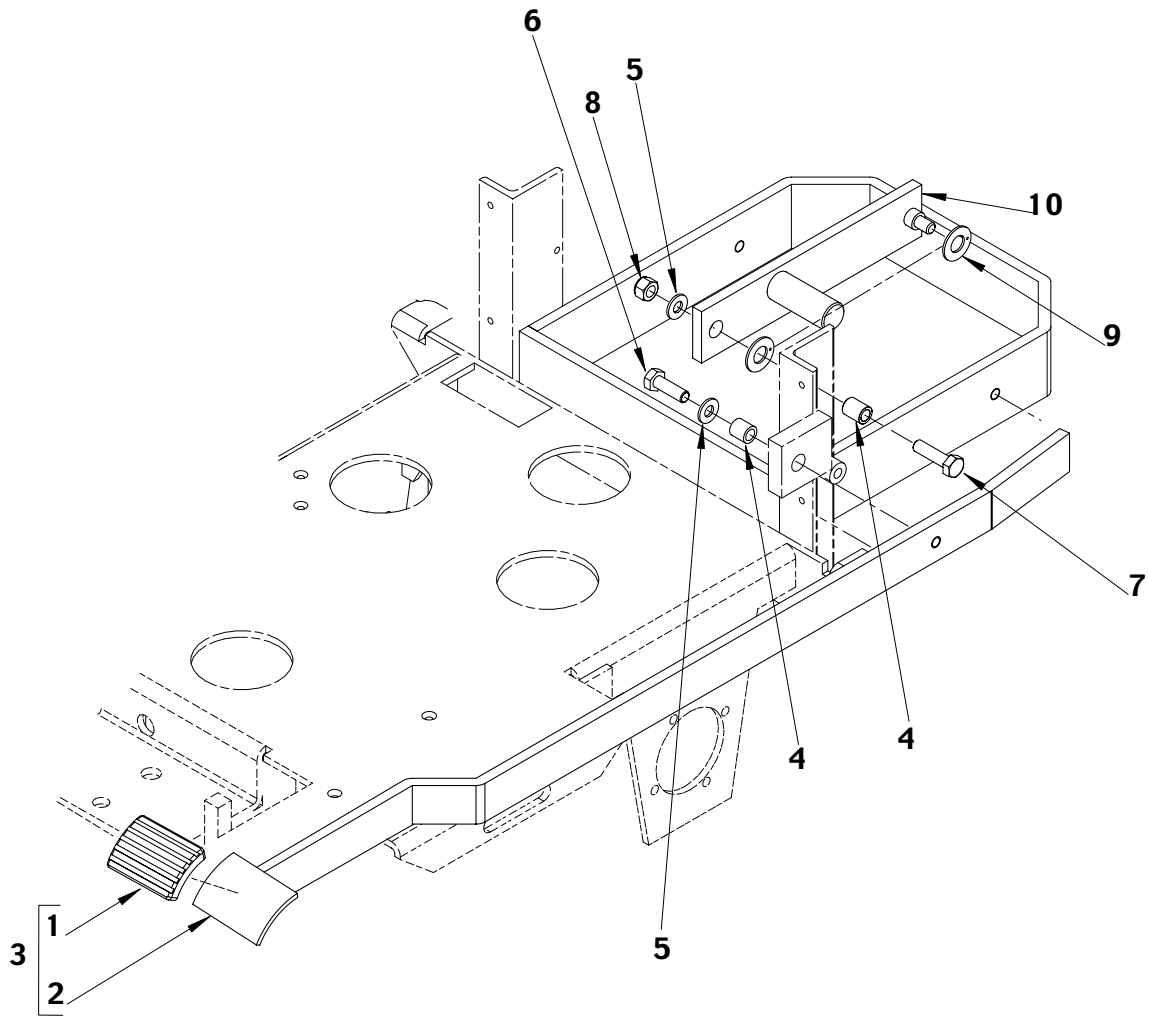


BA 5321



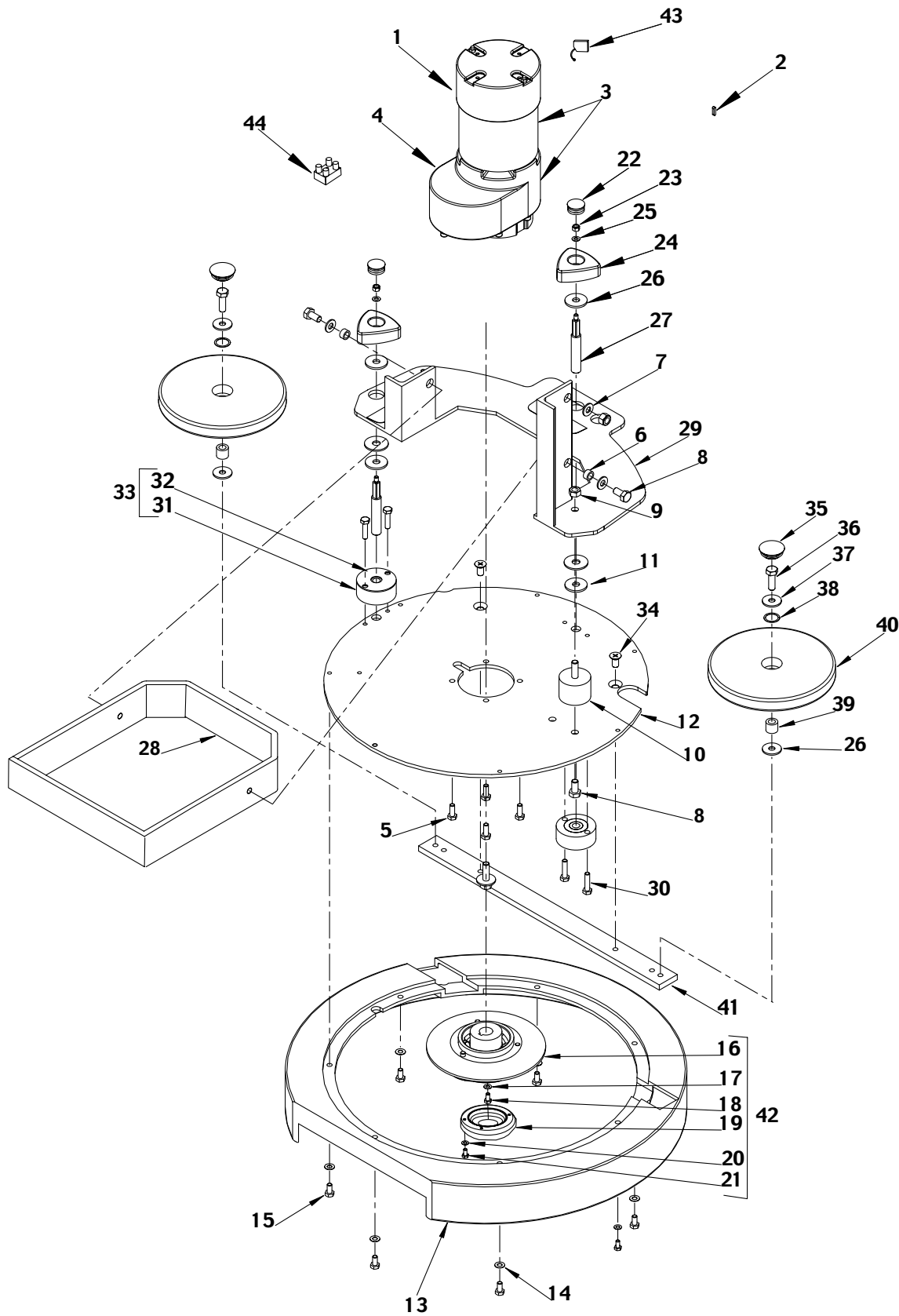
| | | | | |
|---------|-------------------------------|--|--|---|
| 2003-02 | CHASSIS SYSTEM | | | |
| | BA 5321 - BA 5321D - BA 6124D | | | 7 |

| Item no. | Ref. No. | Qty | Description |
|--------------------------|----------|-----|---------------------------|
| 1 | 56325560 | 1 | Tank axle right |
| 2 | 56325561 | 4 | Screw Hex Hd M6x12 |
| 3 | 56325562 | 1 | Chassis |
| 4 | 56325563 | 1 | Nut Hex. Nyl. Loc. M12 |
| 5 | 56325564 | 1 | Caster assy |
| #6 | 08812954 | 1 | Caster |
| 7 | 08603681 | 1 | Screw socket Hd. M6x80 SS |
| 8 | 56325565 | 1 | Tank safety screw assy |
| 9 | 08812449 | 1 | Spacer |
| 10 | 56325566 | 1 | Tank axle left |
| 11 | 56325785 | 1 | Allen Wrench M5 |
| 12 | 56325786 | 1 | Grommet |
| 13 | 08812634 | 1 | Reinforced seal |
| 14 | 08812661 | 1 | Seal |
| ONLY BA 5321D - BA 6124D | | | |
| 15 | 56325567 | 2 | Screw Hex. Hd. M10x25 |
| 16 | 56325568 | 2 | Washer flat 10x30 |
| 17 | 08603792 | 2 | Drive wheel |
| 18 | 56325561 | 4 | Screw Hd. M6x12 |
| 19 | 56325571 | 1 | Drive motor |
| 20 | 08182700 | 2 | Retaining ring |
| 21 | 56325572 | 2 | Feather key 6x6x35 |
| 22 | 56325573 | 1 | Ball bearing |
| 23 | 56325574 | 2 | Lock washer |
| 24 | 56325576 | 1 | Bearing support |
| 25 | 56325577 | 2 | Lock washer |
| 26 | 56325578 | 1 | Washer |
| ONLY BA 5321 | | | |
| 27 | 56325579 | 2 | Screw M8x20 |
| 28 | 56325580 | 2 | Bushing |
| 29 | 08603696 | 2 | Wheel w/Hub |
| 30 | 56325582 | 2 | Wheel stud |
| 31 | 56325570 | 4 | Screw Hex. Hd. M6x16 |



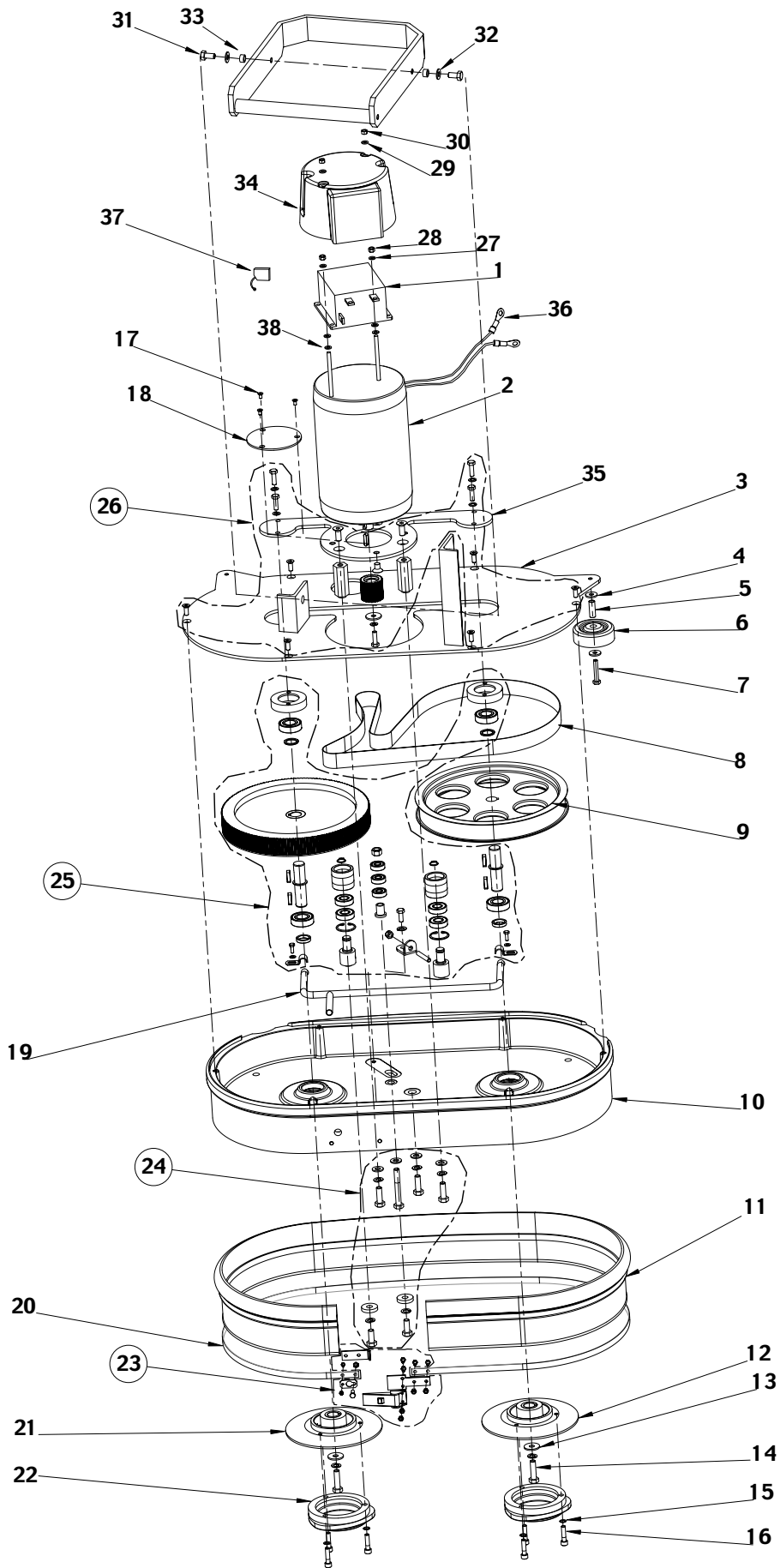
| | | | |
|---------|-------------------------------|--|---|
| 2003-02 | PEDAL LIFTING | | |
| | BA 5321 - BA 5321D - BA 6124D | | 9 |

| Item no. | Ref. No. | Qty | Description |
|----------|----------|-----|----------------------|
| 1 | 56325584 | 1 | Rubber pedal |
| 2 | 08812223 | 1 | Pedal weldment |
| 3 | 56325585 | 1 | Pedal complete |
| 4 | 56325586 | 2 | Sleeve |
| 5 | 56325587 | 6 | Washer |
| 6 | 56325625 | 1 | Screw Hex. Hd. M8x25 |
| 9 | 56325588 | 1 | Screw Hex. Hd. M8x30 |
| 8 | 56003389 | 2 | Nut Hex. M8 |
| 9 | 56325591 | 2 | Washer |
| 10 | 56325592 | 1 | Lever |



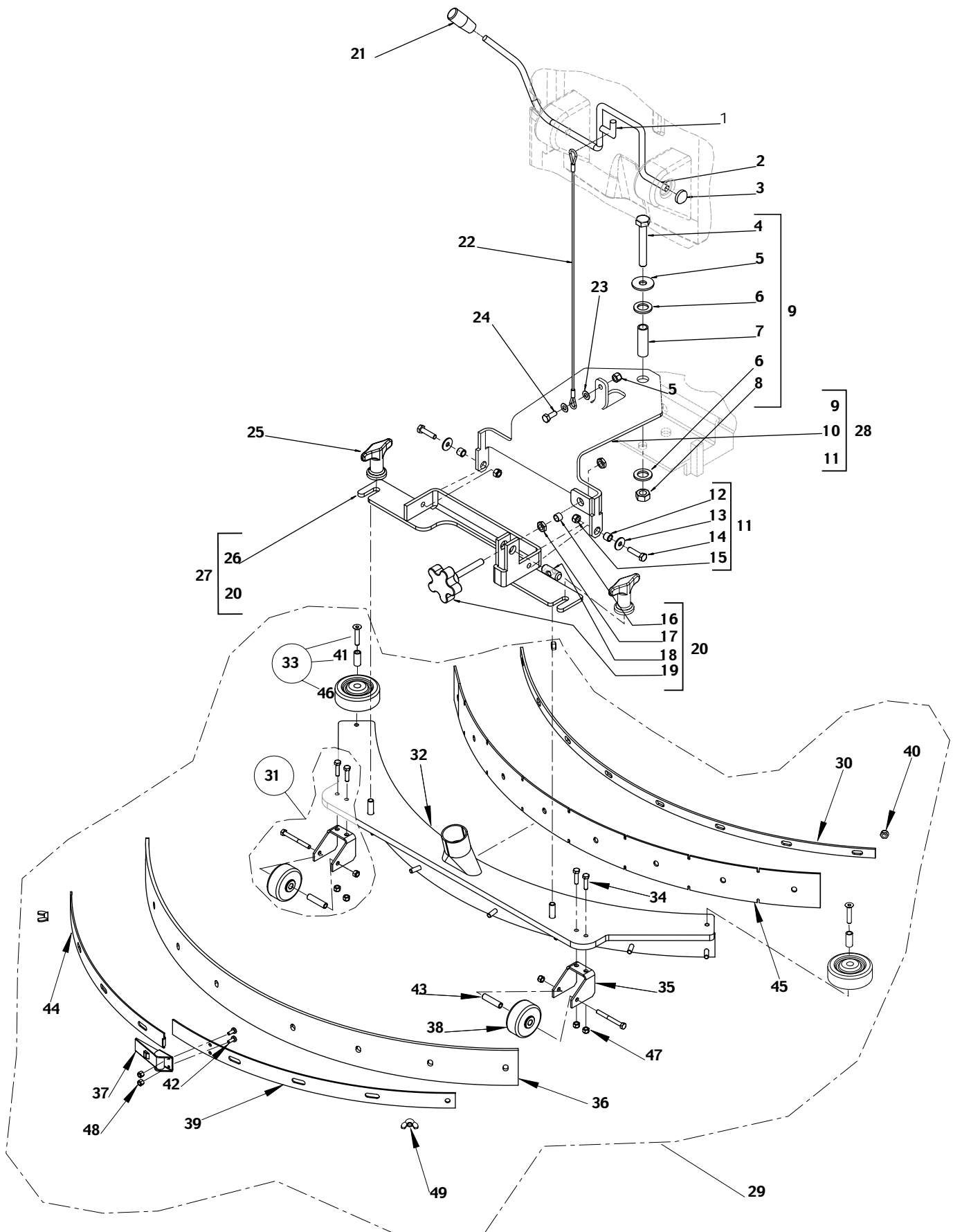
| | | | |
|---------|---------------------------------------|--|----|
| 2003-02 | BRUSH DRIVE SYSTEM BA 5321 - BA 5321D | | |
| | BA 5321 - BA 5321D - BA 6124D | | 11 |

| Item no. | Ref. No. | Qty | Description |
|----------|--------------|-----|--|
| 1 | 08603848 | 1 | Brush motor |
| 2 | 145 9774 000 | 1 | Feather key |
| 3 | 08812919 | 1 | Brush motor+ Gear case complete TSB..... |
| 4 | 08603849 | 1 | Gear case |
| 5 | 56325570 | 4 | Screw Hex. Hd. M6x16 |
| 6 | 56325598 | 4 | Sleeve |
| 7 | 56325587 | 4 | Washer |
| 8 | 56325600 | 5 | Screw Hex. Hd. M8x16 |
| 9 | 56325601 | 1 | Nut Hex. M8 |
| 10 | 56325602 | 1 | Buffer |
| 11 | 08812719 | 1 | Washer flat 9x28 |
| 12 | 56325604 | 1 | Base plate |
| 13 | 56325605 | 1 | Brush cover |
| 14 | 56325538 | 7 | Washer flat 6x18 |
| 15 | 56325561 | 7 | Screw Hex. Hd. M6x12 |
| 16 | 56325608 | 1 | Polygonal Holder |
| 17 | 145 9171 000 | 1 | Washer flat 8x32 |
| 18 | 56325588 | 1 | Screw Hex. Hd. M8x30 |
| #19 | 56325611 | 1 | Polygon Holder |
| 20 | 56325612 | 3 | Washer M6 |
| 21 | 56325613 | 3 | Screw Soc. Hd. self lock. M6x25 SS |
| 22 | 56325614 | 2 | Plug |
| #23 | 56003364 | 2 | Nut Hex. M5 |
| 24 | 56325616 | 2 | Knob |
| 25 | 56003366 | 2 | Washer flat 5x10 |
| 26 | 08812718 | 2 | Rubber gasket |
| 27 | 08812706 | 2 | Dowel brush plate fixing |
| 28 | 56325619 | 1 | Frame |
| 29 | 56325620 | 1 | Plate |
| 30 | 56325621 | 2 | Screw Hex. Hd. M6x25 |
| 31 | 56325622 | 2 | Buffer |
| 32 | 08812779 | 1 | Vibration damping plate |
| 33 | 08812780 | 1 | Brush fixing plate assy. |
| 34 | 56325623 | 2 | Screw counterunk Hd.8x12 |
| 35 | 08812999 | 2 | Plug |
| 36 | 56325625 | 2 | Screw Hex. Hd. M8x25 SS |
| 37 | 56325609 | 2 | Washer flat 8x24 |
| 38 | 56325626 | 2 | Spring washer |
| 39 | 56325627 | 2 | Sleeve |
| 40 | 56325628 | 2 | Bumper rollers |
| 41 | 56325629 | 1 | Fitting strip |
| #42 | 08812589 | 1 | Polygonal Holder Assembly |
| 43 | 08603850 | 1 | Carbon brushes kit |
| 44 | 56325732 | 1 | Luster terminal |



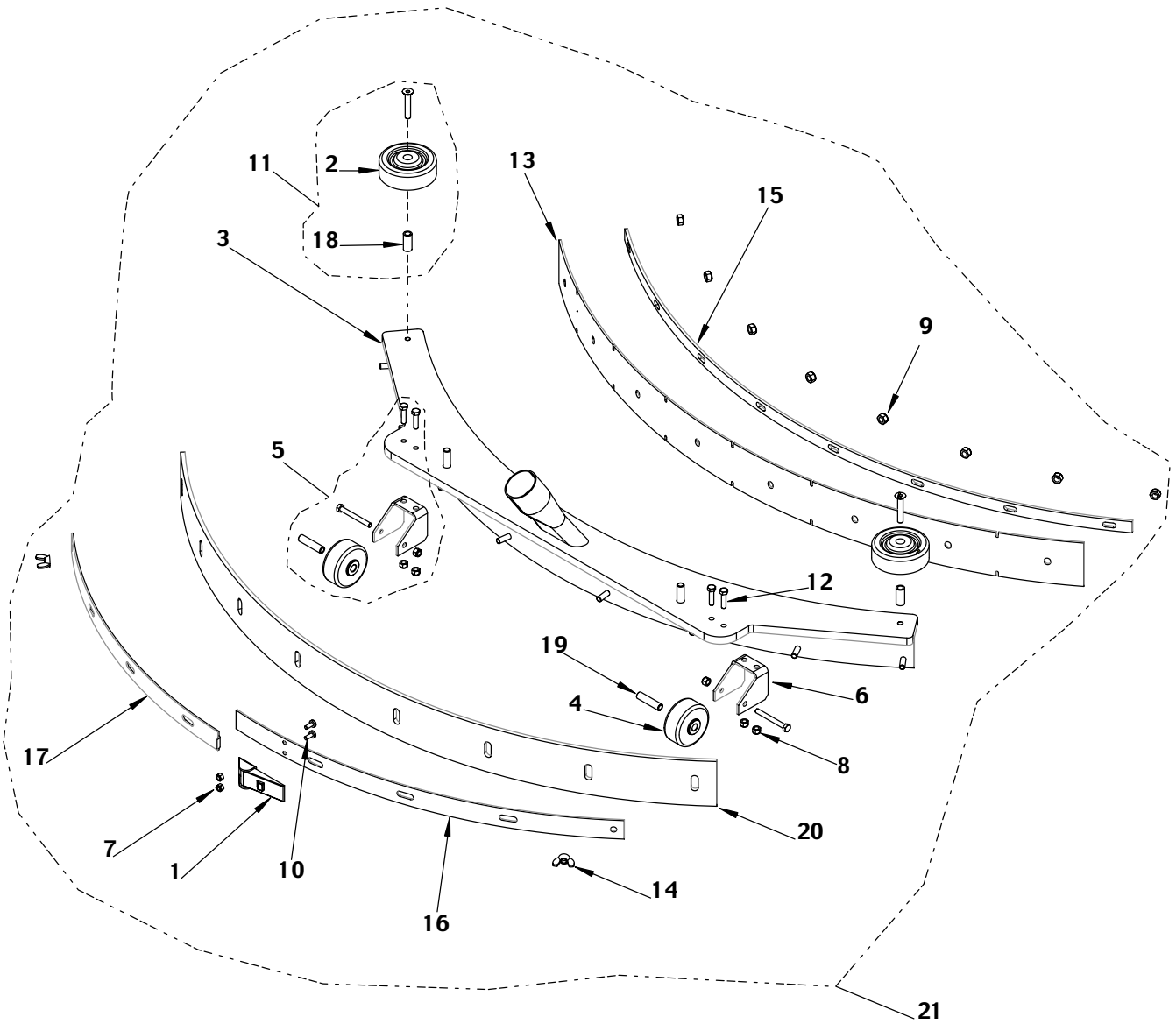
| | | | | |
|---------|-------------------------------|--|--|----|
| 2003-02 | BRUSH DRIVE SYSTEM BA 6124D | | | |
| | BA 5321 - BA 5321D - BA 6124D | | | 13 |

| Item no. | Ref. No. | Qty | Description |
|----------|--------------|-----|--------------------------|
| 1 | 909 5016 000 | 1 | Electronic card |
| 2 | 08603820 | 1 | Brush motor 24V |
| 3 | 08603810 | 1 | Cover |
| 4 | 145 9229 000 | 4 | Washer flat 6,6x18 |
| 5 | 08602461 | 2 | Bushing |
| 6 | 56363855 | 2 | Bumper roller |
| 7 | 145 9232 000 | 2 | Screw hex hd M6x25 |
| 8 | 08603821 | 1 | Belt |
| 9 | 08603811 | 1 | Pulley |
| 10 | 08603809 | 1 | Brush deck 24" |
| 11 | 08603837 | 1 | Splash guard |
| 12 | 56325608 | 1 | Hub right |
| 13 | 56325609 | 1 | Washer flat |
| 14 | 145 9281 000 | 2 | Screw hex hd M8x30 |
| 15 | 56325612 | 6 | Washer M6 |
| 16 | 56325613 | 6 | Screw self lock M6x25 |
| 17 | 08603976 | 3 | Screw M4x8 SS |
| 18 | 08603904 | 1 | Closure |
| 19 | 08603815 | 1 | Copper hose |
| 20 | 08603826 | 1 | Splash guard holder |
| 21 | 08603822 | 1 | Hub left |
| 22 | 56325611 | 2 | Hub |
| 23 | 08603979 | 1 | Kit splash guard fixing |
| 24 | 08603980 | 1 | Kit hardware bush deck |
| 25 | 08603981 | 1 | Kit pulleys fixing |
| 26 | 08603982 | 1 | Kit hardware brush motor |
| 27 | 145 9154 000 | 2 | Washer |
| 28 | 145 9134 000 | 2 | Nut hex M5 |
| 29 | 145 9133 000 | 2 | Washer flat |
| 30 | 08603704 | 2 | Nut hex self lock M5 |
| 31 | 56325600 | 2 | Screw hex M8x16 |
| 32 | 56325587 | 2 | Washer flat |
| 33 | 56325598 | 2 | Bushing |
| 34 | 909 5020 000 | 1 | Cover electr. card |
| 35 | 08603823 | 1 | Flange motor |
| 36 | 146 0725 000 | 2 | Terminal |
| 37 | 08603949 | 1 | Charbon brushes kit |
| 38 | 56003366 | 4 | Washer flat 5x10 |



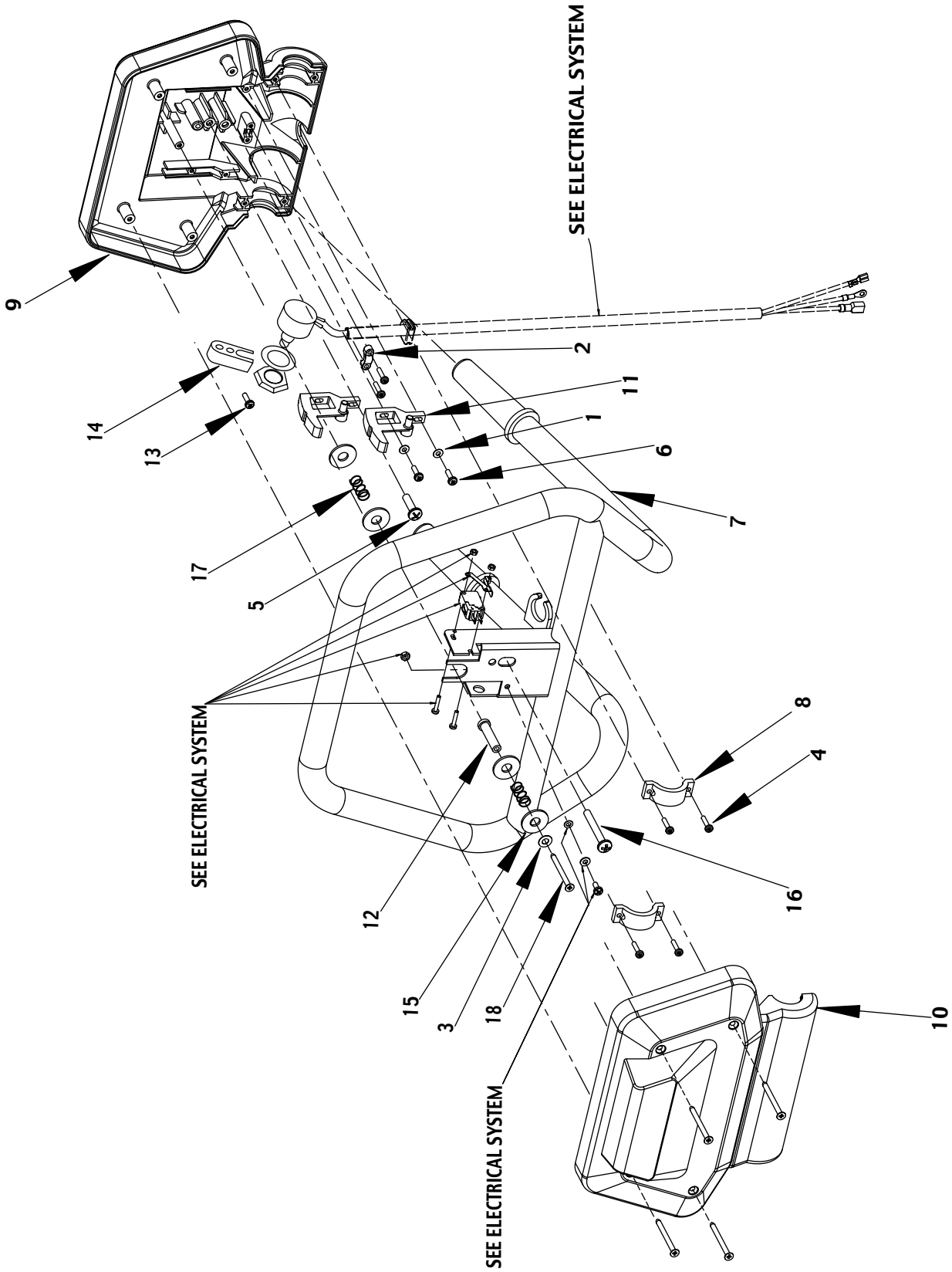
| | | | |
|---------|------------------------------------|--|----|
| 2003-02 | SQUEEGEE SYSTEM BA 5321 - BA 5321D | | |
| | BA 5321 - BA 5321D - BA 6124D | | 15 |

| Item no. | Ref. No. | Qty | Description |
|----------|--------------|-----|---|
| 1 | 08603935 | 1 | Plug |
| 2 | 56325709 | 1 | Squeegee lever |
| 3 | 56325710 | 1 | Closing cap |
| 4 | 08602211 | 1 | Screw |
| 5 | 56325568 | 1 | Washer |
| 6 | 08238300 | 2 | Washer |
| 7 | 08812391 | 1 | Spacer |
| 8 | 08082100 | 1 | Knob |
| 9 | 56325681 | 1 | Fixture kit |
| 10 | 08603655 | 1 | Squeegee support plate |
| 11 | 56325682 | 1 | Fixture for nozzle holder left / right |
| 12 | 08601854 | 2 | Spacer |
| 13 | 56325538 | 2 | Washer |
| 14 | 56325621 | 2 | Screw |
| 15 | 08361400 | 2 | Nut |
| 16 | 08602422 | 1 | Spacer |
| 17 | 08600317 | 2 | Nut |
| 18 | 08601509 | 1 | Pin |
| 19 | 08601574 | 1 | Knob |
| 20 | 56325684 | 1 | Adjustment screw kit |
| 21 | 56325708 | 1 | Ball grip |
| 22 | 56325711 | 1 | Squeegee lift cable |
| 23 | 56325538 | 2 | Washer |
| 24 | 08603680 | 1 | Screw hex hd |
| 25 | 08603675 | 2 | Thumb nut |
| 26 | 08812228 | 1 | Squeegee holder |
| 27 | 56325683 | 1 | Nozzle holder set |
| 28 | 08603657 | 1 | Linkage arm complete |
| 29 | 08603878 | 1 | Kit squeegee complete |
| 30 | 08603672 | 1 | Blade fixer latch |
| 31 | 08603879 | 1 | Kit squeegee wheel |
| 32 | 08603676 | 1 | Squeegee weldment |
| 33 | 08603880 | 1 | Kit squeegee bumper roller |
| 34 | 08603687 | 1 | Screw |
| 35 | 08603666 | 2 | Support squeegee wheel |
| 36 | 56325685 | 1 | Squeegee balde rear |
| 37 | 56471194 | 1 | Latch for squeegee |
| 38 | 08603665 | 2 | Rubber wheel |
| 39 | 56393290 | 1 | Rear strap for hook |
| 40 | 08603682 | 8 | Nut |
| 41 | 08812937 | 2 | Spacer |
| 42 | 08603684 | 2 | Screw |
| 43 | 08812948 | 2 | Spacer |
| 44 | 56393289 | 1 | Rear strap for hook |
| 45 | 56393285 | 1 | Squeegee blade front |
| 46 | 56363855 | 2 | Bumper roller |
| 47 | 08603688 | 6 | Nut |
| 48 | 08603685 | 2 | Nut |
| 49 | 145 0461 000 | 2 | Wing nut |
| #[50] | 08603922 | 1 | Kit bumper roller opt. |
| #[51] | 08837060 | 1 | Straight squeegee assembly |
| #[52] | 08837041 | 1 | Oil resistant squeegee blades kit for curved squeegee |
| #[53] | 08812403 | 1 | Wear pack:squ.blades, sol.filter, pre filter f.straight sq.BA 450/530 |
| #[54] | 08812404 | 1 | Wear pack:squ.blades, sol.filter, pre filter f.curved sq.BA 450/530 |
| #[55] | 08812405 | 1 | Wear pack:oil resist. squ.blades, sol.filter, pre filter f. curved sq. BA 450/530 |



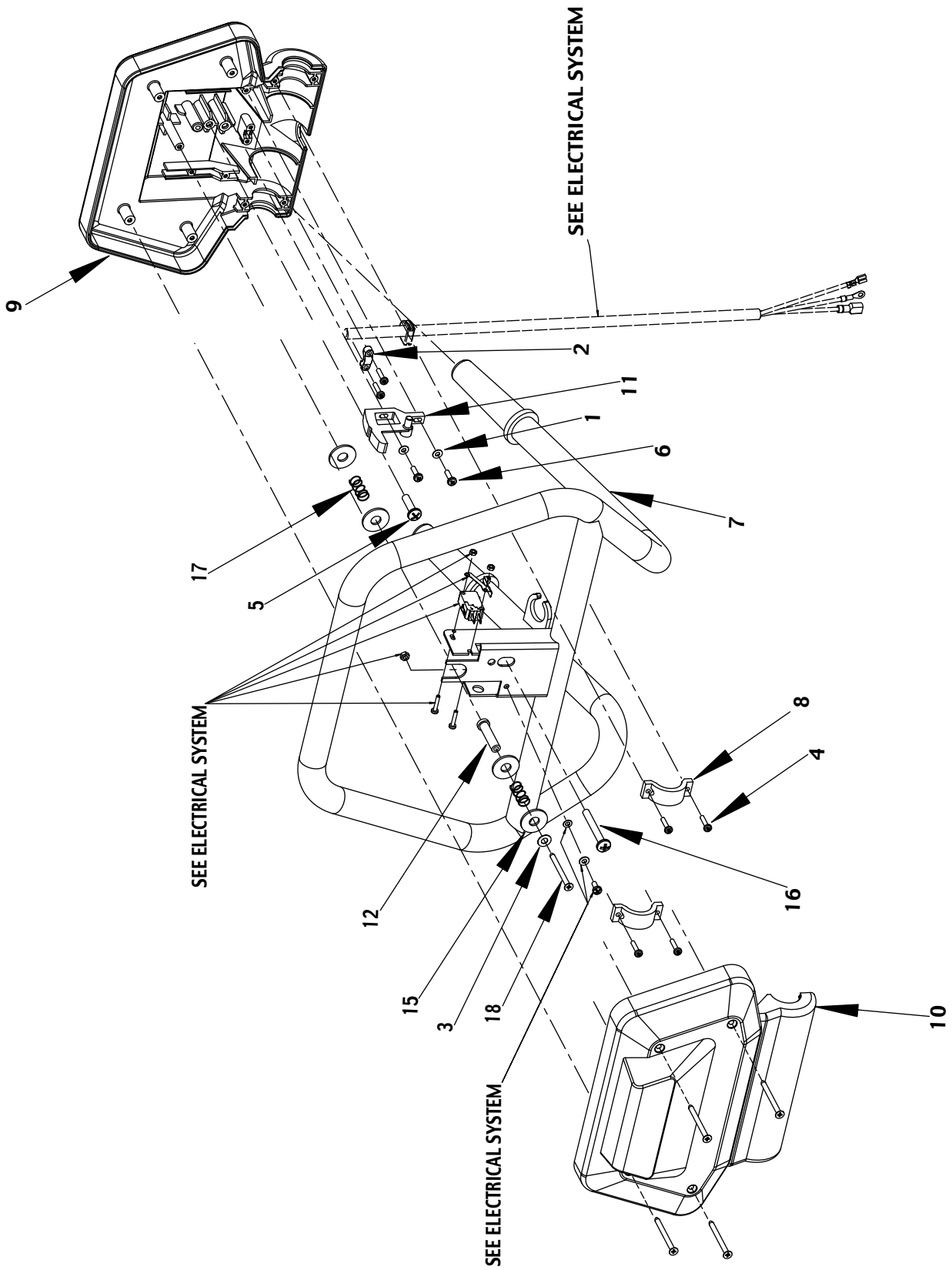
| | | | | |
|---------|-------------------------------|--|--|----|
| 2003-02 | SQUEEGEE SYSTEM BA 6124D | | | |
| | BA 5321 - BA 5321D - BA 6124D | | | 17 |

| Item no. | Ref. No. | Qty | Description |
|----------|--------------|-----|--|
| 1 | 56471194 | 1 | Latch for squeegee |
| 2 | 56363855 | 2 | Bumper roller |
| 3 | 08603828 | 1 | Weldment, squeegee tool |
| 4 | 56391218 | 2 | Squeegee wheel |
| 5 | 08603879 | 1 | Kit squeegee wheel |
| 6 | 08603666 | 2 | Support squeegee wheel |
| 7 | 08603685 | 2 | Nut self loc M4 SS |
| 8 | 08603688 | 6 | Nut self loc M5 SS |
| 9 | 08603682 | 8 | Nut self loc M6 SS |
| 10 | 08603684 | 2 | Screw M4x10 |
| 11 | 08603880 | 1 | Kit squeegee bumper roller |
| 12 | 08603687 | 4 | Screw hex hd M5x20 SS |
| 13 | 08603830 | 1 | Squeegee blade front |
| 14 | 145 0461 000 | 2 | Wing nut |
| 15 | 08603831 | 1 | Strap front |
| 16 | 08603834 | 1 | Right rear strap |
| 17 | 08603833 | 1 | Left rear strap |
| 18 | 08812937 | 2 | Spacer |
| 19 | 08812948 | 2 | Spacer |
| 20 | 08603832 | 2 | Squeegee blade rear |
| 21 | 909 5005 000 | 1 | Kit squeegee complete |
| [22] | 08603973 | 1 | Kit oil resistant blades |
| [23] | 909 5004 000 | 1 | Wear pack - kit oil resistant blades for curved squeegee |
| [24] | 909 5006 000 | 1 | Wear pack - kit squeegee blades for curved squeegee |



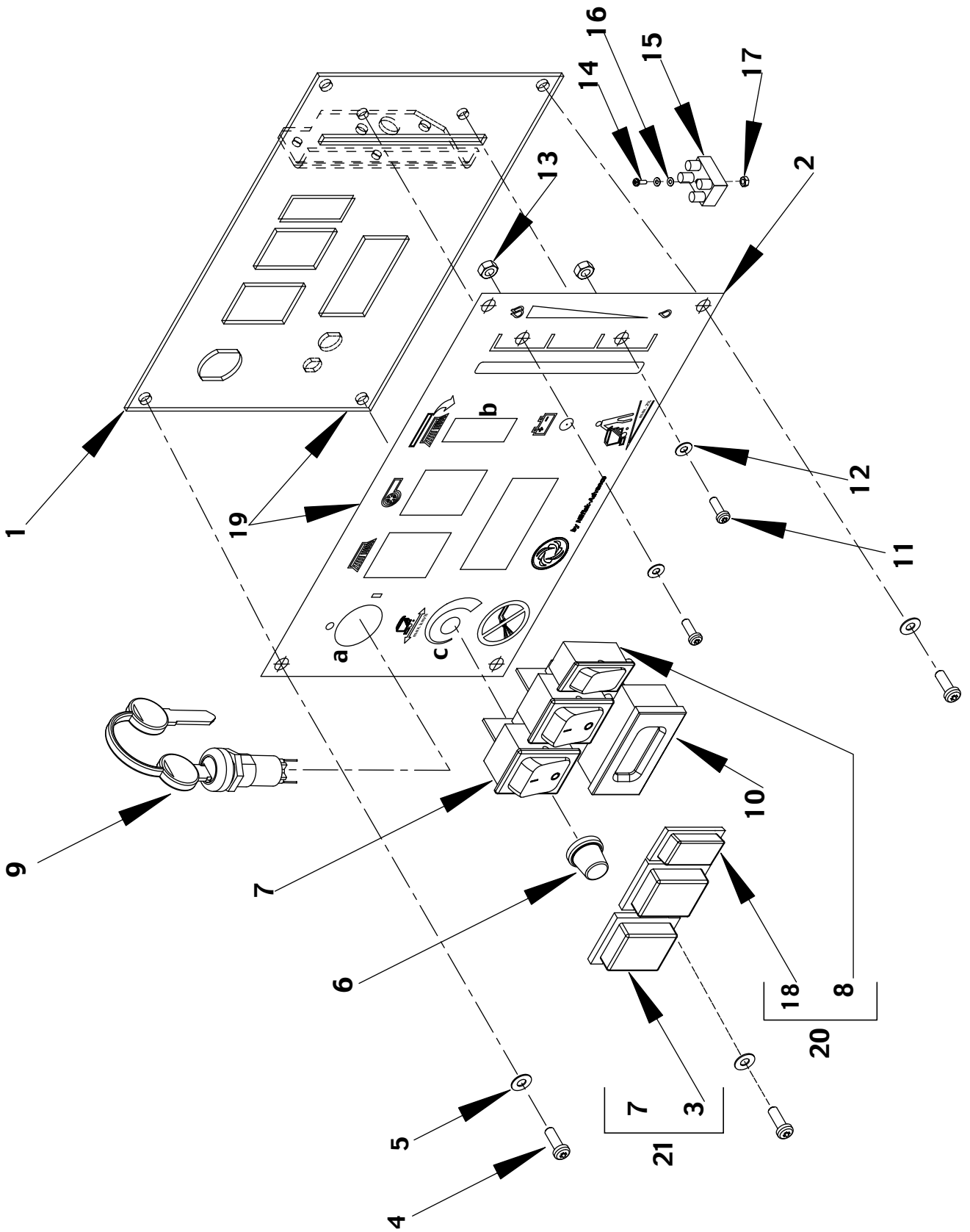
| | | | |
|---------|------------------------------------|--|----|
| 2003-02 | SWITCH HOUSING BA 5321D - BA 6124D | | |
| | BA 5321 - BA 5321D - BA 6124D | | 19 |

| Item no. | Ref. No. | Qty | Description |
|----------|----------|-----|--------------------------------|
| 1 | 08200800 | 4 | Washer flat 4x9x0,8 SS |
| 2 | 56340083 | 1 | Cables fixing block |
| 3 | 08602395 | 1 | Washer flat 6x12,5 |
| 4 | 56325661 | 6 | Screw thd form M3,5x16 |
| 5 | 56340224 | 1 | Screw cyl hd thd form M6x25 SS |
| 6 | 08603668 | 4 | Screw cyl hd thd form M4x14 SS |
| 7 | 56325658 | 1 | Handle bar |
| 8 | 56325662 | 2 | Clamp |
| 9 | 56325659 | 1 | Switch housing rear |
| 10 | 56325651 | 1 | Switch housing front |
| 11 | 56325664 | 2 | Micro switch cam |
| 12 | 56325655 | 1 | Distance sleeve |
| 13 | 56325640 | 1 | Screw pan hd phil M4x10 |
| 14 | 56325657 | 1 | Potentiometer fork |
| 15 | 56325653 | 4 | Washer flat nylon 9x25 |
| 16 | 56325660 | 1 | Screw with dome 6x50 thd form |
| 17 | 56325654 | 2 | Drive control spring |
| 18 | 56325650 | 5 | Screw flat hd 4,2x50 thd form |



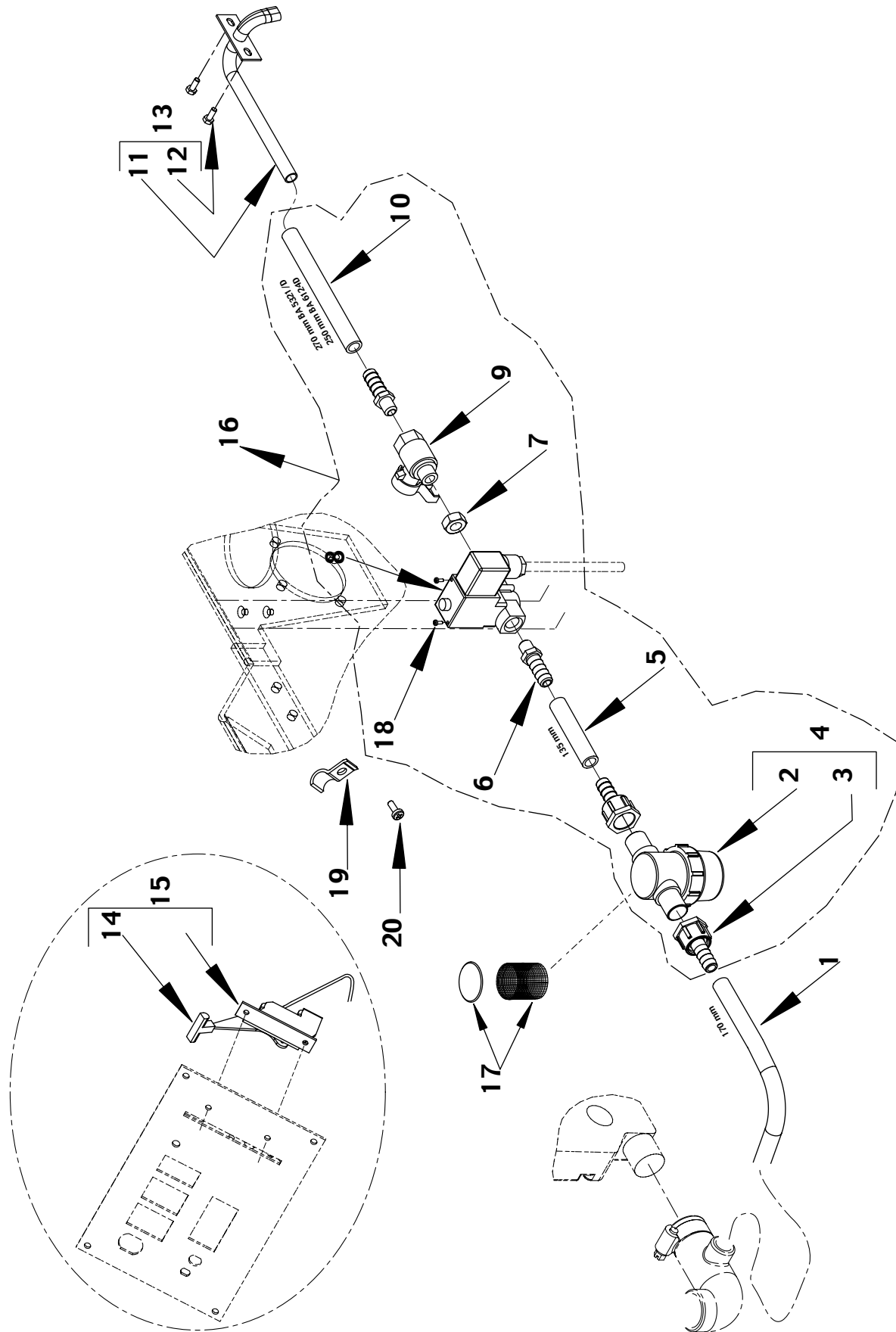
| | | | |
|---------|-------------------------------|--|----|
| 2003-02 | SWITCH HOUSING BA 5321 | | |
| | BA 5321 - BA 5321D - BA 6124D | | 21 |

| Item no. | Ref. No. | Qty | Description |
|----------|----------|-----|--------------------------------|
| 1 | 08200800 | 4 | Washer flat 4x9x0,8 SS |
| 2 | 56340083 | 1 | Cables fixing block |
| 3 | 08602395 | 1 | Washer flat 6x12,5 |
| 4 | 56325661 | 1 | Screw thd form M3,5x16 |
| 5 | 56340224 | 1 | Screw cyl hd thd form M6x25 SS |
| 6 | 08603668 | 2 | Screw cyl hd thd form M4x14 SS |
| 7 | 56325658 | 1 | Handle bar |
| 8 | 56325662 | 2 | Clamp |
| 9 | 56325659 | 1 | Switch housing rear |
| 10 | 56325651 | 1 | Switch housing front |
| 11 | 56325664 | 1 | Micro switch cam |
| 12 | 56325655 | 1 | Distance sleeve |
| 15 | 56325653 | 4 | Washer flat nylon 9x25 |
| 16 | 56325660 | 1 | Screw with dome 6x50 thd form |
| 17 | 56325654 | 2 | Drive control spring |
| 18 | 56325650 | 5 | Screw flat hd 4,2x50 thd form |



| | | | |
|---------|-------------------------------|--|----|
| 2003-02 | CONTROL PANEL ASSEMBLY | | |
| | BA 5321 - BA 5321D - BA 6124D | | 23 |

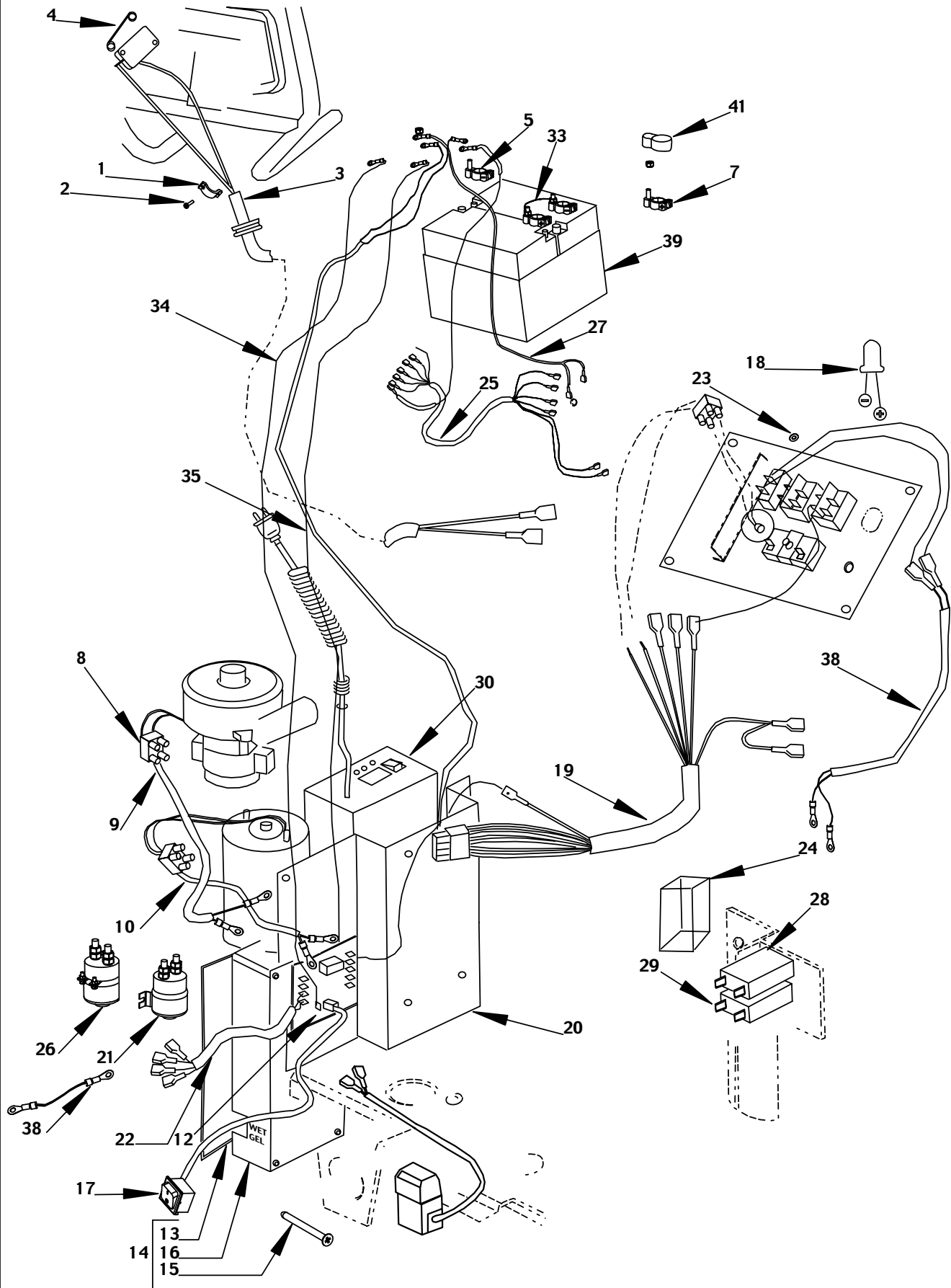
| Item no. | Ref. No. | Qty | Description |
|----------|--------------|-----|---|
| #1 | 08603942 | 1 | Control panel |
| 2 | 08603983 | 1 | Decal BA 5321 |
| 2 | 08603943 | 1 | Decal BA 5321D - 6124D |
| 3 | 08603193 | 2 | Plastic bracket w/seal and switch protection cap |
| 4 | 08812804 | 4 | Screw cyl hd 4x12 thd form |
| 5 | 56325716 | 4 | Washer flat 4x9 SS |
| 6 | 56325720 | 1 | Knob for potentiometer |
| 7 | 56340199 | 2 | Switch pump/ vacuum |
| 8 | 08603944 | 1 | Switch click off |
| 9 | 56325718 | 1 | Key switch complete BA 5321D - BA 6124D |
| 10 | 56325728 | 1 | Hour meter |
| 11 | 08604077 | 2 | Screw cyl hd M4x10 |
| 12 | 145 9144 000 | 2 | Washer flat 4x9 |
| 13 | 56003351 | 2 | Nut hex M4 |
| 14 | 08603705 | 1 | Screw pan hd M3x25 |
| 15 | 56325726 | 1 | Luster terminal |
| 16 | 08102800 | 2 | Washer lock |
| 17 | 08048300 | 1 | Nut hex M3 |
| 18 | 08603945 | 1 | Plastic bucket w/seal and switch protection |
| 19 | 56325715 | 1 | Kit control panel with decal BA 5321 |
| 19 | 56325724 | 1 | Kit control panel with decal BA 5321D |
| #19 | 909 5055 000 | 1 | Kit control panel with decal w/click off BA 5321 |
| #19 | 909 5054 000 | 1 | Kit control panel with decal w/click off BA 5321D |
| 20 | 08603950 | 1 | Kit switch click off w/ cap |
| 21 | 56325719 | 2 | Kit switch w/ cap |



| | | | |
|---------|-------------------------------|--|----|
| 2003-02 | SOLUTION SYSTEM | | |
| | BA 5321 - BA 5321D - BA 6124D | | 25 |

| Item no. | Ref. No. | Qty | Description |
|----------|--------------|-----|------------------------------|
| 1 | 08603914 | 1 | Hose 170 mm |
| 2 | 08603808 | 1 | Filter |
| 3 | 08603662 | 2 | Hose barb. |
| 4 | 08603864 | 1 | Filter w/ hose barb kit |
| 5 | 08603913 | 1 | Hose 135 mm |
| 6 | 56325648 | 2 | Screwed socket |
| 7 | 56325646 | 1 | Nut hex |
| 8 | 08812642 | 1 | Solenoid valve 24V |
| 9 | 56325647 | 1 | Valve |
| 10 | 08603915 | 1 | Hose 270 mm |
| 11 | 08812326 | 1 | Copper hose |
| 12 | 146 0632 000 | 2 | Screw hex M4x8 |
| 13 | 56325641 | 1 | Copper hose complete |
| 14 | 08603790 | 1 | Handle |
| 15 | 08603791 | 1 | Lever w/cable |
| 16 | 56325649 | 1 | Solenoid valve kit |
| 17 | 08603893 | 1 | Kit net filter int. w/gasket |
| 18 | 56325645 | 2 | Screw flat hd phil M4x10 SS |
| 19 | 56325638 | 1 | Clamp |
| 20 | 08600124 | 1 | Screw hex hd M6x8 |

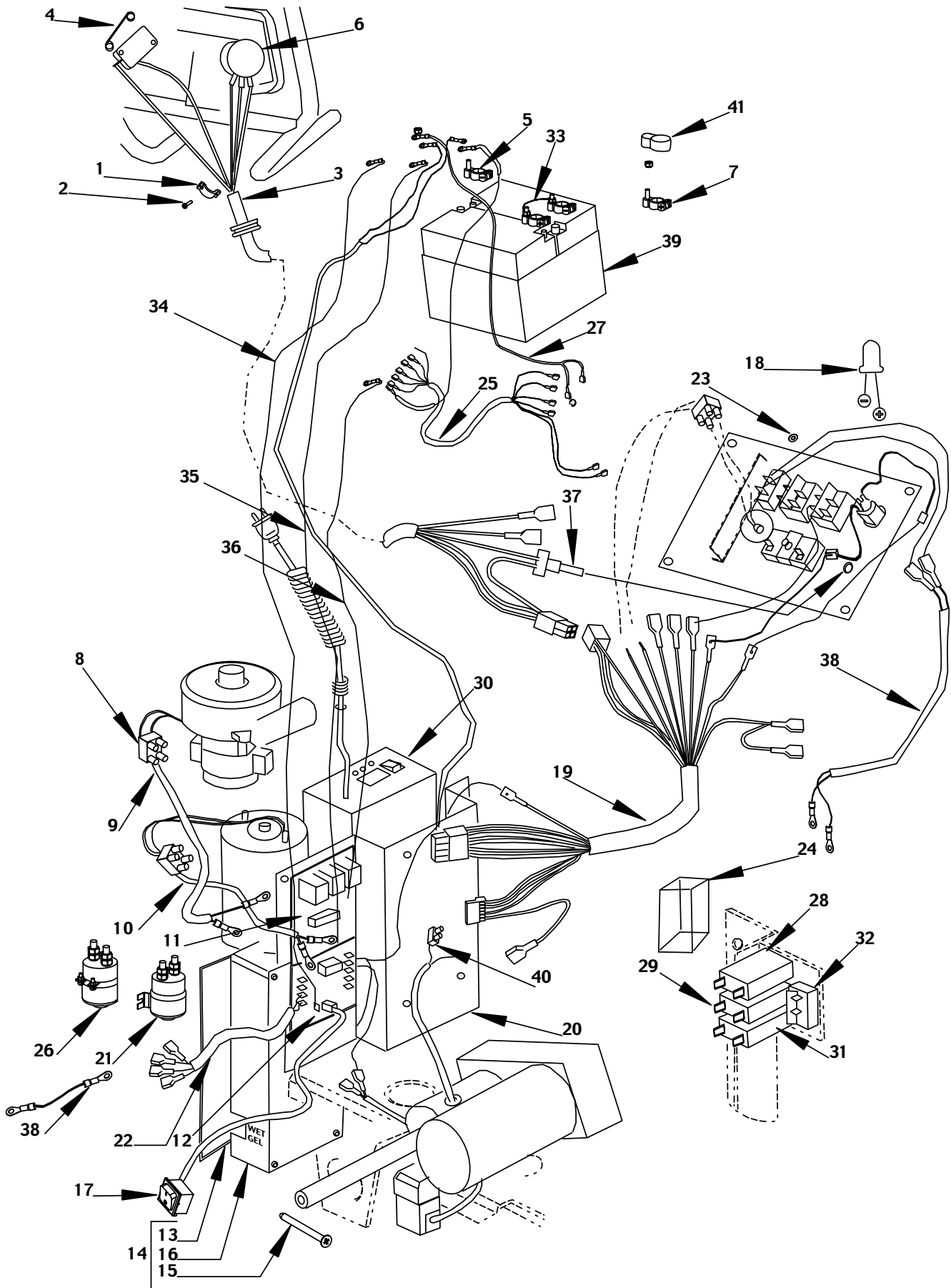
BA 5321



| | | | | |
|---------|--|--|--|----|
| 2003-02 | Wiring system BA 5321 with battery charger | | | |
| | BA 5321 - BA 5321D - BA 6124D | | | 27 |

| Item no. | Ref. No. | Qty | Description |
|----------|--------------|-----|---|
| 1 | 08600168 | 1 | Cable fixing block |
| 2 | 08603192 | 2 | Screw cyl hd thd form 3,6x16 |
| 3 | 56325769 | 1 | Harness control panel/ microswitch |
| 4 | 08812377 | 1 | Contact for micro |
| 5 | 08812064 | 2 | Battery clamp - |
| 7 | 08812063 | 2 | Battery clamp + |
| 8 | 56325734 | 1 | Plug |
| 9 | 56325736 | 1 | Harness vacuum mot./elect. card |
| 10 | 08603711 | 1 | Harness brush motor/ electronic card |
| 12 | 08812814 | 1 | Electronic card release 3 |
| 13 | 08812354 | 1 | Gasket |
| 14 | 56325740 | 1 | Kit closure electronic card |
| 15 | 56325723 | 4 | Screw cyl hd 4x70 |
| 16 | 08812284 | 1 | Cover electronic card |
| 17 | 56325725 | 1 | Cable for electronic card cover |
| 18 | 56325741 | 1 | Led red |
| 19 | 56325745 | 1 | Harness machine |
| 20 | 56325743 | 1 | Support for el. card |
| 21 | 145 0300 000 | 1 | Electromagnetic switch vacuum motor |
| 22 | 08603717 | 1 | Harness coil/electronic card |
| 23 | 08812801 | 1 | Spacer |
| 24 | 56325761 | 1 | Fuse cover |
| 25 | 08603714 | 1 | Cable fuses/ electronic card |
| 26 | 08603934 | 1 | Electromagnetic switch brushes |
| 27 | 56325752 | 1 | Harness fuses/battery |
| 28 | 56325754 | 1 | Fuse 25A |
| 29 | 08603727 | 1 | Fuse 30A |
| 30 | 08812996 | 1 | Battery charger |
| 33 | 56325750 | 1 | Lead cable |
| 34 | 56325747 | 1 | Strand red, battery clamp + / electronic card |
| 35 | 56325756 | 1 | Strand black, battery clamp - / electronic card |
| 38 | 08603929 | 1 | Harness click off |
| 39 | 08812758 | 1 | Battery container |
| 41 | 08812093 | 4 | Cap for battery clamp |

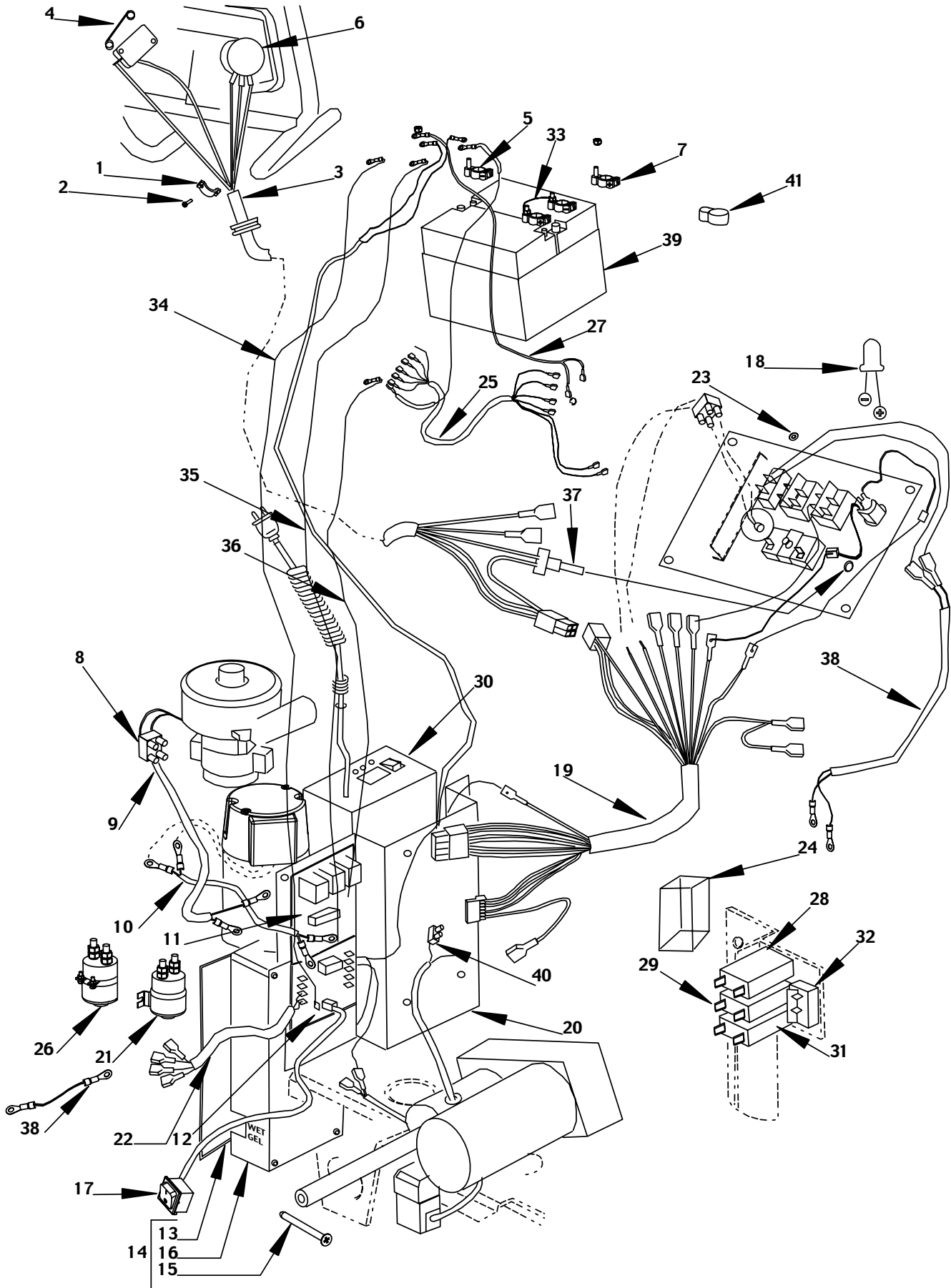
BA 5321 D



| | | | | |
|---------|---|--|--|----|
| 2003-02 | Wiring system BA 5321D with battery charger | | | |
| | BA 5321 - BA 5321D - BA 6124D | | | 29 |

| Item no. | Ref. No. | Qty | Description |
|----------|--------------|-----|---|
| 1 | 56340083 | 1 | Cable fixing block |
| 2 | 56325661 | 2 | Screw cyl hd thd form 3,6x16 |
| 3 | 56325733 | 1 | Harness - traction |
| 4 | 08812377 | 1 | Contact for micro |
| 5 | 08812064 | 2 | Battery clamp - |
| 6 | 08812292 | 1 | Potentiometer traction adjuster |
| 7 | 08812063 | 2 | Battery clamp + |
| 8 | 56325734 | 1 | Plug |
| 9 | 56325736 | 1 | Harness vacuum mot./elect. card |
| 10 | 909 5014 000 | 1 | Harness brush motor |
| 11 | 56325738 | 1 | Traction card |
| 12 | 08812814 | 1 | Electronic card release 3 |
| 13 | 08812354 | 1 | Gasket |
| 14 | 56325740 | 1 | Kit closure electronic card |
| 15 | 56325723 | 4 | Screw cyl hd 4x70 |
| 16 | 08812284 | 1 | Cover electronic card |
| 17 | 56325725 | 1 | Cable for electronic card cover |
| 18 | 56325741 | 1 | Led red |
| 19 | 56325742 | 1 | Harness machine |
| 20 | 56325743 | 1 | Support for el. card |
| 21 | 145 0300 000 | 1 | Electromagnetic switch vacuum motor |
| 22 | 08603717 | 1 | Harness coil/electronic card |
| 23 | 08812801 | 1 | Spacer |
| 24 | 56325761 | 1 | Fuse cover |
| 25 | 08603715 | 1 | Cable fuses/ electronic card |
| 26 | 08603934 | 1 | Electromagnetic switch brushes |
| 27 | 56325752 | 1 | Harness fuses/batteries |
| 28 | 56325754 | 1 | Fuse 25A |
| 29 | 08603727 | 1 | Fuse 30A |
| 30 | 08812996 | 1 | Battery charger |
| 31 | 08812872 | 1 | Fuse 15A |
| 32 | 56325719 | 1 | Kit switch w/cap |
| 33 | 56325750 | 1 | Lead cable |
| 34 | 56325747 | 1 | Strand red, battery clamp + / electronic card |
| 35 | 56325756 | 1 | Strand black, battery clamp - / electronic card |
| 36 | 56325745 | 1 | Strand black, battery clamp - / traction card |
| 37 | 08812371 | 1 | Potentiometer speed adjuster |
| 38 | 08603929 | 1 | Harness click off |
| 39 | 08812758 | 1 | Battery container |
| 40 | 56325746 | 1 | Connection |
| 41 | 08812093 | 4 | Cap for battery clamp |

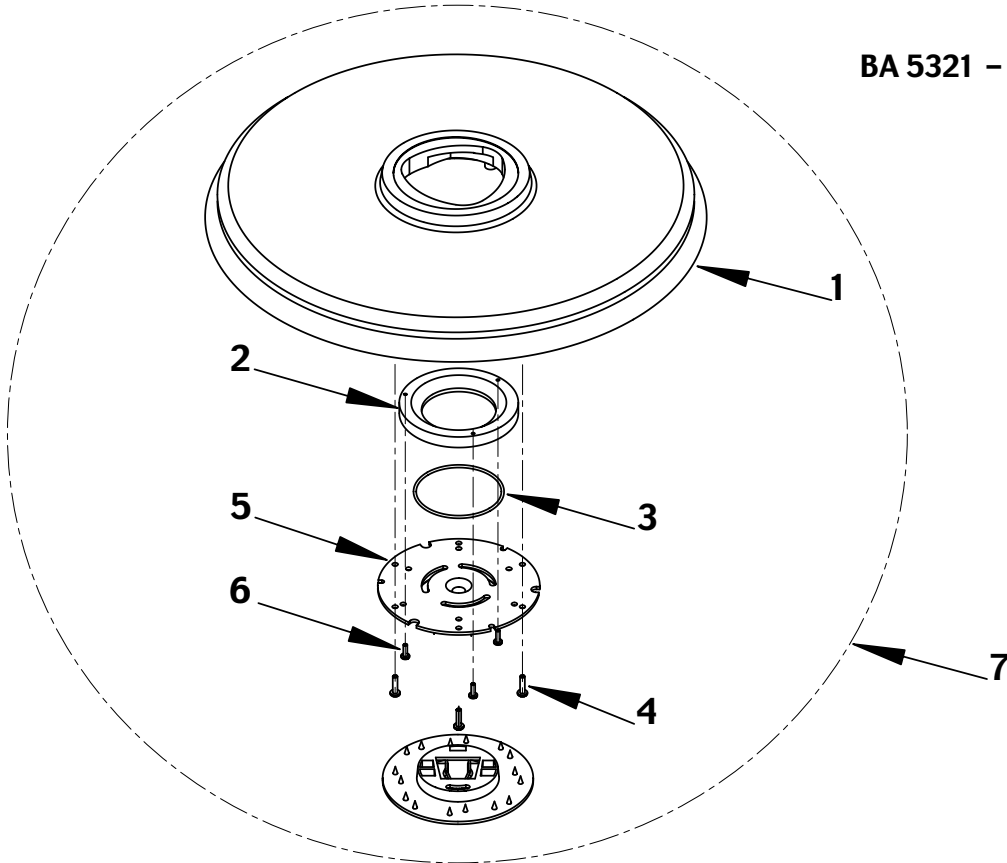
BA 6124D



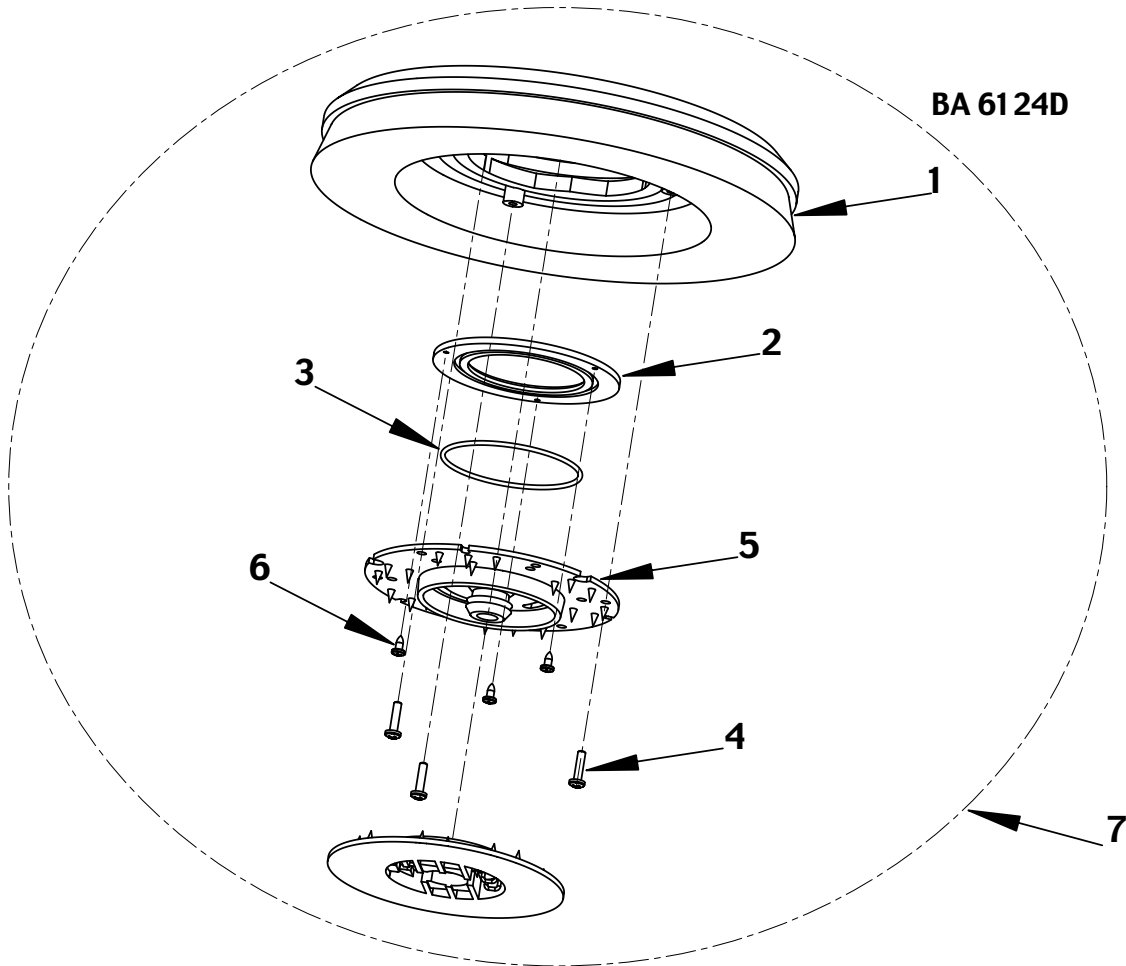
| | | | |
|---------|---|--|----|
| 2003-02 | Wiring system BA 6124D with battery charger | | |
| | BA 5321 - BA 5321D - BA 6124D | | 31 |

| Item no. | Ref. No. | Qty | Description |
|----------|--------------|-----|---|
| 1 | 56340083 | 1 | Cable fixing block |
| 2 | 56325661 | 2 | Screw cyl hd thd form 3,6x16 |
| 3 | 56325733 | 1 | Harness - traction |
| 4 | 08812377 | 1 | Contact for micro |
| 5 | 08812064 | 2 | Battery clamp - |
| 6 | 08812292 | 1 | Potentiometer traction adjuster |
| 7 | 08812063 | 2 | Battery clamp + |
| 8 | 56325734 | 3 | Plug |
| 9 | 56325736 | 1 | Harness vacuum mot./elect. card |
| 10 | 909 5014 000 | 1 | Harness brush motor |
| 11 | 56325738 | 1 | Traction card |
| 12 | 08812814 | 1 | Electronic card release 3 |
| 13 | 08812354 | 1 | Gasket |
| 14 | 56325740 | 1 | Kit closure electronic card |
| 15 | 56325723 | 4 | Screw cyl hd 4x70 |
| 16 | 08812284 | 1 | Cover electronic card |
| 17 | 56325725 | 1 | Cable for electronic card cover |
| 18 | 56325741 | 1 | Led red |
| 19 | 56325742 | 1 | Harness machine |
| 20 | 56325743 | 1 | Support for el. card |
| 21 | 145 0300 000 | 1 | Electromagnetic switch vacuum motor |
| 22 | 08603717 | 1 | Harness coil/electronic card |
| 23 | 08812801 | 1 | Spacer |
| 24 | 56325761 | 1 | Fuse cover |
| 25 | 08603715 | 1 | Cable fuses/ electronic card |
| 26 | 08603934 | 1 | Electromagnetic switch brushes |
| 27 | 56325752 | 1 | Harness fuses/batteries |
| 28 | 56325754 | 1 | Fuse 25A |
| 29 | 08603727 | 1 | Fuse 30A |
| 30 | 08812996 | 1 | Battery charger |
| 31 | 08812872 | 1 | Fuse 15A |
| 32 | 56325719 | 1 | Switch |
| 33 | 56325750 | 1 | Lead cable |
| 34 | 56325747 | 1 | Strand red, battery clamp + / electronic card |
| 35 | 56325756 | 1 | Strand black, battery clamp - / electronic card |
| 36 | 56325745 | 1 | Strand black, battery clamp - / traction card |
| 37 | 08812371 | 1 | Potentiometer speed adjuster |
| 38 | 909 5015 000 | 1 | Harness click off |
| 39 | 08812758 | 1 | Battery container |
| 40 | 56325746 | 1 | Connection |
| 41 | 08812093 | 4 | Cap for battery clamp |

BA 5321 - BA 5321D

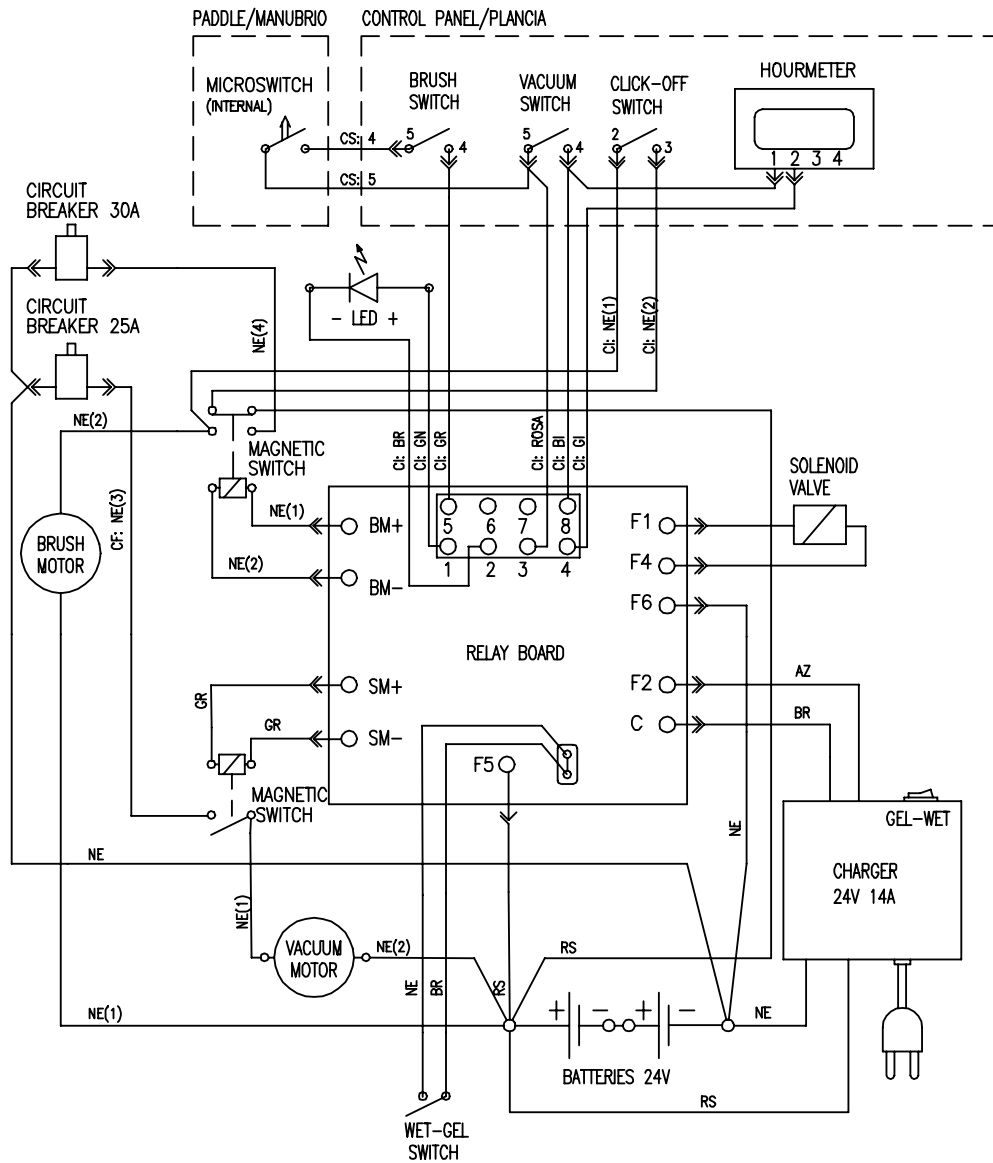


BA 6124D



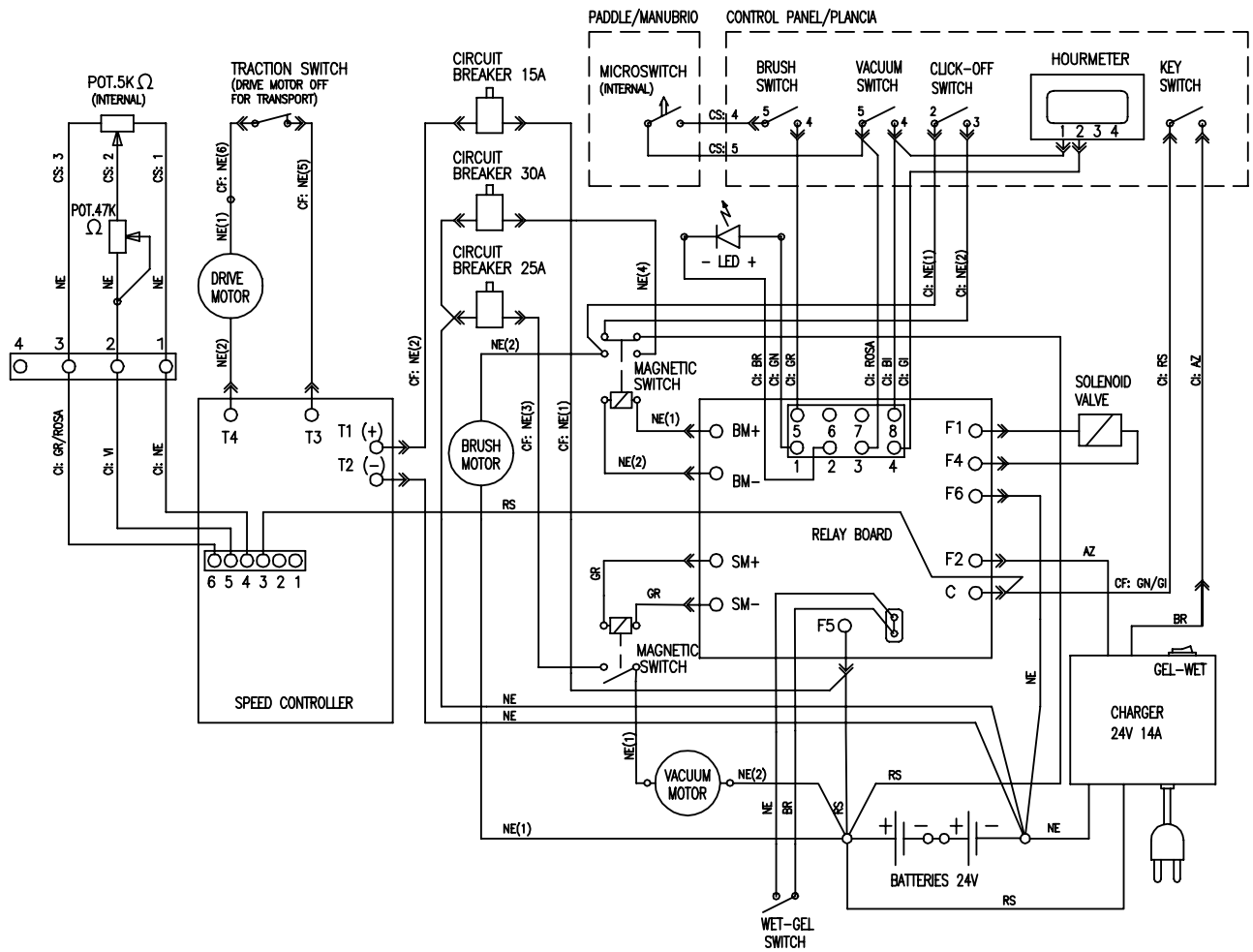
| | | | |
|---------|-------------------------------|--|----|
| 2003-02 | PAD HOLDER ASSEMBLIES | | |
| | BA 5321 - BA 5321D - BA 6124D | | 33 |

| Item no. | Ref. No. | Qty | Description |
|--------------------|--------------|-----|--------------------------------|
| BA 5321 - BA 5321D | | | |
| 1 | 08812466 | 1 | Pad holder |
| 2 | 08603966 | 1 | Ring for pad |
| 3 | 08603965 | 1 | Seal |
| 4 | 08812590 | 3 | Screw cyl hd 4.6x19.2 thd form |
| 5 | 08837030 | 1 | Hub |
| 6 | 08603244 | 3 | Screw cyl 3.9x13 thd form |
| 7 | 56325502 | 1 | Pad holder kit |
| BA 6124D | | | |
| 1 | 08603841 | | Pad holder |
| 2 | 08603936 | | Ring for pad |
| 3 | 08603965 | | Seal |
| 4 | 08812590 | | Screw cyl hd 4.6x19.2 thd form |
| 5 | 08837030 | | Hub |
| 6 | 145 5872 000 | | Screw 4.2x9.5 thd form SS |
| 7 | 08603939 | | Pad holder kit |



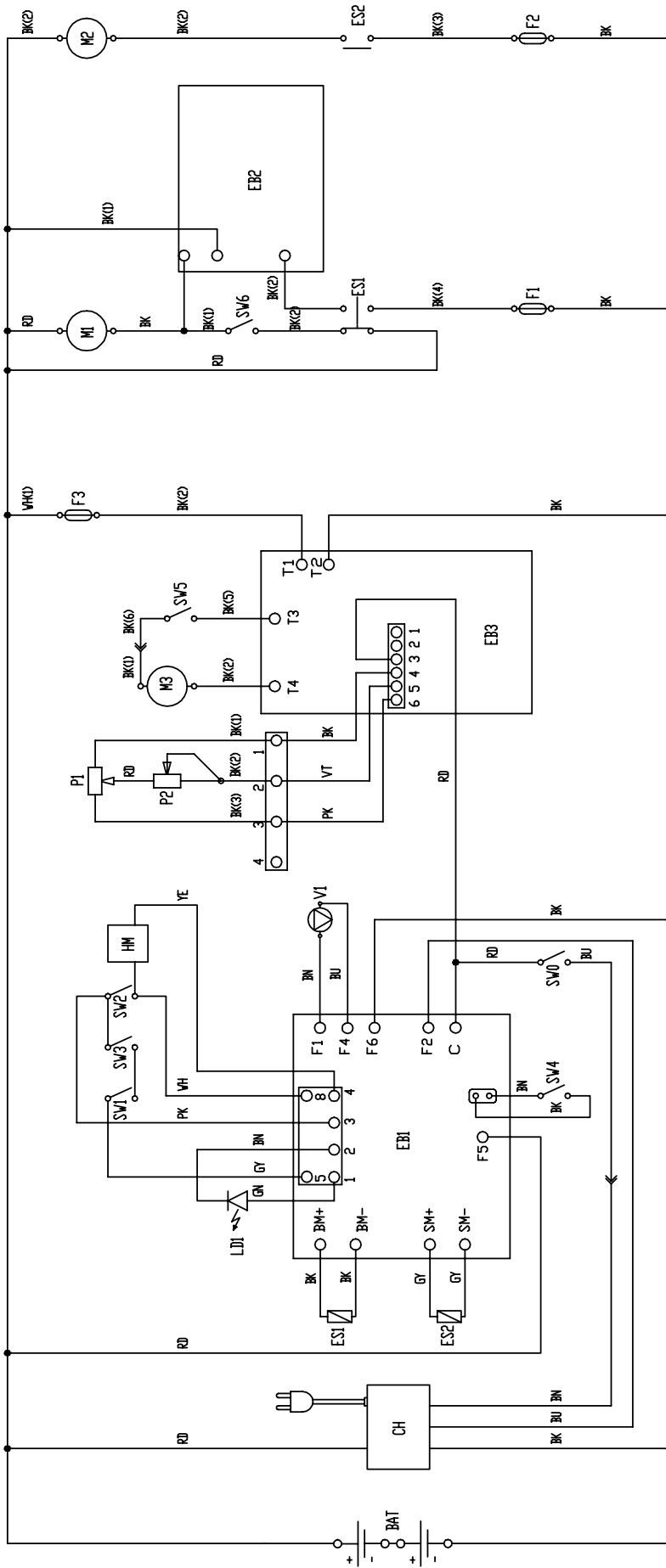
CI: CABLE INTERNAL - CAVI INTERNI
 CF: CABLE FUSE - CAVI FUSIBILI
 CS: CABLE SWITCH HOUSING - CAVI INTERRUTTORI

| TABELLA COLORI | COLORS CODES |
|----------------|--------------|
| AZ = | BLEU |
| BI = | WHITE |
| GI = | YELLOW |
| GR = | GREY |
| BR = | BROWN |
| NE = | BLAK |
| ROSA = | PINK |
| RS = | RED |
| VI = | VIOLET |
| OR = | ORANGE |
| GN = | GREEN |



CI: CABLE INTERNAL-CAVI INTERNI
 CF: CABLE FUSE-CAVI FUSIBILI
 CS: CABLE SWITCH HOUSING-CAVI INTERRUUTORI

| TABELLA COLORI - COLORS CODES | |
|-------------------------------|----------|
| AZ | = BLEU |
| BI | = WHITE |
| GI | = YELLOW |
| GR | = GREY |
| BR | = BROWN |
| NE | = BLACK |
| ROSA | = PINK |
| RS | = RED |
| VI | = VIOLET |
| OR | = ORANGE |
| GN | = GREEN |



| COMPONENTS | |
|---|---|
| BAT 24V BATTERIES | M2 VACUUM MOTOR 08603888 |
| CH 24V 13A BATTERY CHARGER | M3 DRIVE MOTOR 08812234 |
| EBI LOGIC ELECTRONIC BOARD | P1 DRIVE SPEED POTENT.(5kOhm) 08812292 |
| EBR BRUSHES ELECTRONIC BOARD 909 5016 000 | P2 DRIVE MAX SPEED POTENT.(47kOhm) 08812371 |
| EBS DRIVE ELECTRONIC BOARD 08812286 | SW KEY SWITCH 08812604 |
| ESI BRUSHES ELECTROM. SWITCH 08603934 | SV1 BRUSHES SWITCH 08603151 |
| ES2 VACUUM ELECTROM. SWITCH 145 0300 000 | SV2 VACUUM SWITCH 08603151 |
| F1 BRUSHES.MOT.CIRC.BREAKER(30A) | SV3 PADDLE MICRUSWITCH included in 08812602 |
| F2 VACUUM.MOT.CIRC.BREAKER(25A) | SV4 PB/GEL BATTERIES SELECTOR 08812574 |
| F3 DRIVE.MOT.CIRC.BREAKER(15A) | SV5 TRACTION SWITCH 08812562 |
| HM HOURMETER 08812350 | SV6 CLICK-OFF SWITCH 08603950 |
| LDI BATTERIES STATUS LED 08812061 | V1 WATER ELECTROVALVE 08812642 |
| M1 BRUSHES MOTOR 08603820 | |

| COLORS CODES |
|-------------------|
| BK BLACK nero |
| BU BLUE azzurro |
| BN BROWN marrone |
| GN GREEN verde |
| GY GREY grigio |
| OG ORANGE arancio |
| PK PINK rosa |
| RD RED rosso |
| VT VIOLET viola |
| WH WHITE bianco |
| YE YELLOW giallo |

| Item no. | Ref. No. | Qty | Description |
|----------|--------------|-----|--|
| | | | Tank Assembly |
| | 08812712 | 1 | Seal |
| | 56325529 | 1 | Filter |
| | 08603883 | 1 | Suction hose |
| | 08603869 | 1 | Hose clean water |
| | 08603903 | 1 | Kit clean water hose |
| | 08812873 | 1 | Drain hose kit |
| | 08603888 | 1 | Vacuum motor 24V w/connector |
| | 909 5042 000 | 1 | Acoustic insulation |
| | 56325523 | 1 | Foam acoustic upper Chassis system |
| | 08603792 | 2 | Drive wheel w/Hub BA 5321D/BA 6124D |
| | 08603696 | 2 | Wheel w/Hub BA 5321 |
| | 08603954 | 1 | Caster |
| | | | Pedal lifting |
| | 56325625 | 1 | Screw Hex Hd M8x25 |
| | | | Brush drive system BA 5321/BA 5321D |
| | 08812919 | 1 | Brush motor + gear case complete |
| | 08603848 | 1 | Brush motor |
| | 08603850 | 1 | Carbon brushes kit |
| | [56325504] | 1 | Brush polypropylene |
| | 56325611 | 1 | Polygon holder |
| | 56325622 | 2 | Buffer |
| | 56003366 | 2 | Washer 5x10 |
| | 56325623 | 2 | Screw countersunk Hd. 8x12 |
| | | | Brush drive system BA 6124 D |
| | 08603820 | 1 | Brush motor |
| | 08603949 | 1 | Carbon brushes kit |
| | 56003366 | 4 | Washer 5x10 |
| | | | Squeegee systems BA 5321/BA 5321D/BA 6124D |
| | 56325711 | 1 | Squeegee lift cable |
| | 56393285 | 1 | Squeegee blade front BA 5321/BA 5321D |
| | 56325685 | 1 | Squeegee blade rear BA 5321/BA 5321D |
| | 08603830 | 1 | Squeegee blade front BA 6124D |
| | 08603832 | 1 | Squeegee blade rear BA 6124D |
| | | | Switch housings BA 5321/BA 5321D/BA 6124D |
| | 56340083 | 1 | Cables fixing block |
| | 56325662 | 1 | Clamp |
| | 56325657 | 1 | Potentiometer fork BA 5321D/BA 6124D |
| | 56325654 | 1 | Drive control spring |
| | 56325653 | 4 | Washer flat nylon 9x25 |
| | | | Solution system |
| | 56325649 | 1 | Solenoid valve kit |
| | 08812642 | 1 | Solenoid valve 24V |
| | 08603864 | 1 | Filter w/hose barb kit |
| | | | Control panel assembly |
| | 56340199 | 1 | Switch pump/vacuum |
| | 56340195 | 1 | Plastic bracket w/seal and switch protection |
| | 56325718 | 1 | Key switch complete BA 5321D/BA 6124D |
| | | | Wiring systems BA 5321/BA 5321D/BA 6124D |
| | 56325769 | 1 | Harness control panel/microswitch BA 5321 |
| | 56325733 | 1 | Harness traction |
| | 145 0300 000 | 1 | Electromagnetic switch vacuum motor |
| | 08603934 | 1 | Electromagnetic switch brush/es |
| | 56325738 | 1 | Traction card |
| | 08812814 | 1 | Electronic card release 3 (from Serial no.1514570 for machine before this serial number contact the Service Center) |



Nilfisk-Advance, Inc.
14600 21st Avenue North
Plymouth, MN, 55447-3408
www.nilfisk-advance.com
Phone: 800-989-2235
Fax: 800-989-6566
©2003 Nilfisk-Advance, Inc.,
Plymouth, MN 55447-3408
Printed in Italy