



Electronic Service Manuals

This electronic document is provided as a service to our customers. We do not create the contents of the information contained in this document. Should you have detailed questions pertaining to the information contained in this document, you may contact Michco, or the manufacturer which provided the original information in this electronic deliverable. Michco's only part in this electronic deliverable was the electronic assembly process. By providing this manual on line we are not guaranteeing parts availability.

You may contact Michco through the following methods:

Phone (517) 484-9312 or (800) 331-3339

2011 N. High St. -- Lansing, Michigan -- 48906

Fax: (517) 484-9836

Email: CustServe@Michco.com

Web site: www.Michco.Com

Parts Web site: www.FloorMachineParts.Com

Order Parts on Line at:

www.FloorMachineParts.Com

Directly to Parts & Service:

By Email: **Shop@Michco.com**

By Fax: (517) 702-2041

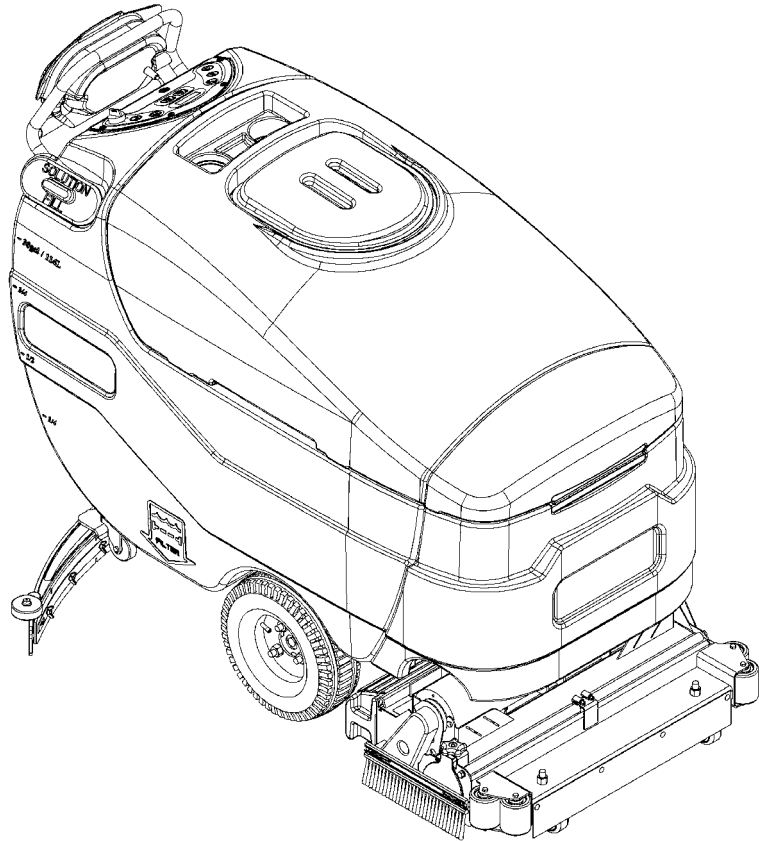
By Voice: Use numbers above.

Serving the Cleaning Industry Since 1922

Notice: All copyrighted material remains property of original owners, all trademarks are property of respective owners. Manuals are subject to Manufacturer's reproduction limitations. Originals or reproductions were provided by manufacturers through a request. We make no warranty as to the correctness of information provided in this document and you assume all risk. By placing these manuals on line we are not declaring our corporation to be an manufacturer authorized dealer or provider, please check our web site for authorized manufacturers we represent.

Adhancer™

BA 855 TRIO EDS™



PARTS LIST

Advance Models: 56316000(W28-C), 56316001(W32-C)

Nilfisk Models: 56316014(BA 855 TRIO EDS™)



**Nilfisk
Advance**

setting standards

3/06 revised 4/08 FORM NO. 56042469

DESCRIPTION	PAGE
Chassis System	2-3
Chassis System (Squeegee Linkage Assembly)	4-5
Decal System	6-7
Recovery System	8-9
Scrub System	10-11
Solution / Electrical System-1	12-13
Solution / Electrical System-2	14-15
Chemical Assembly	16-17
Paddle Assembly	18-19
Squeegee Assembly	20-21
Wiring Diagram	22-23
Optional Kits & Accessories	24

WHEN ORDERING PARTS

- * Use the 8 digit numbers from the "Ref. No." columns in this parts list.
- * Specify the model and serial number of the machine.
- * Use the space below to record the model and serial number for future reference.

Model _____ Serial No. _____

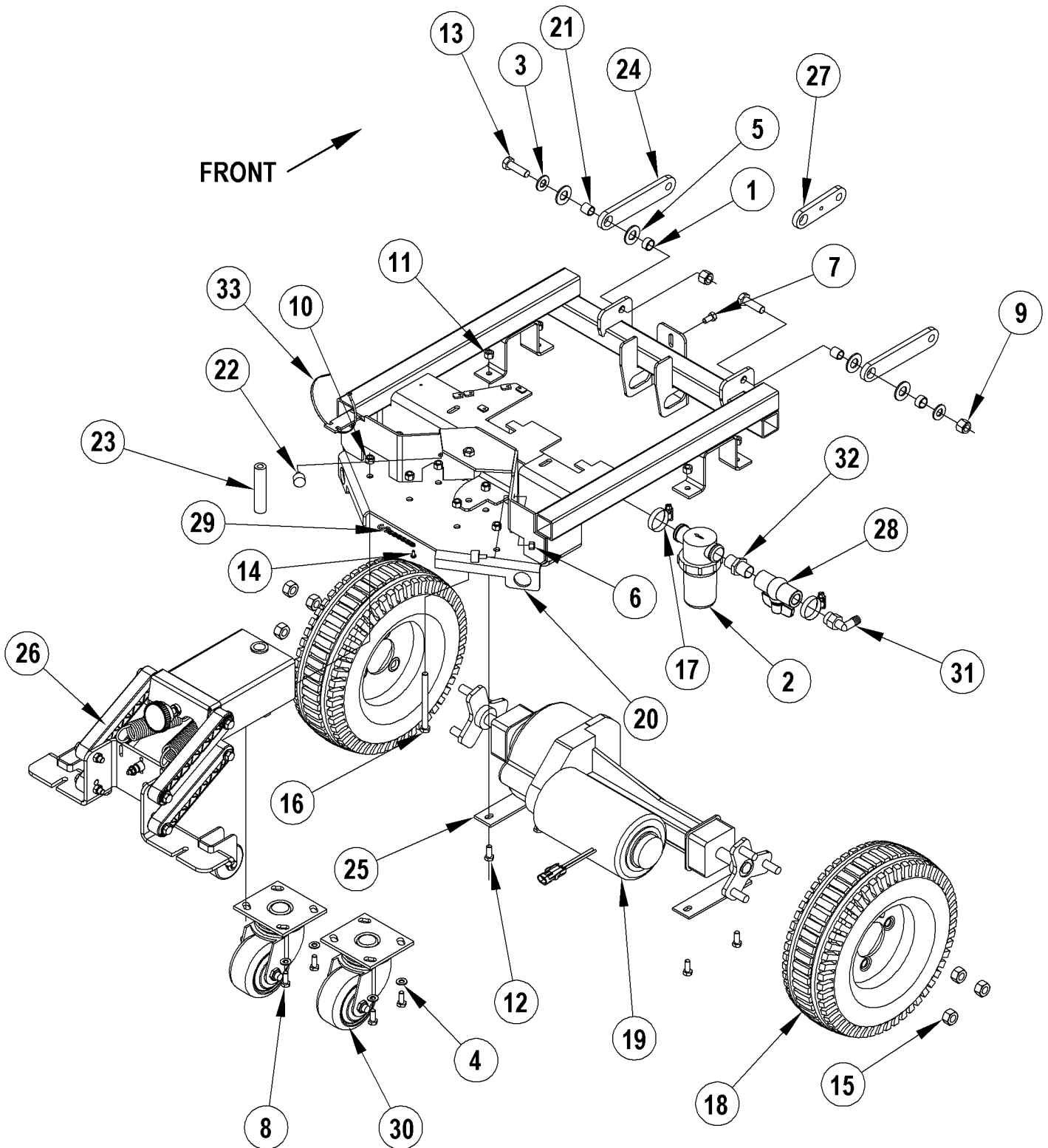
CHASSIS SYSTEM

06-3

2

Adhancer™ / BA 855 TRIO EDS™

06-11



06-3	CHASSIS SYSTEM		
08-4	Adhancer™ / BA 855 TRIO EDS™		3

Item	Ref. No.	Qty	Description
1	56370878	2	Bearing, Sleeve
2	56412173	1	Solution Filter
3	56001879	2	Wsh, Flt SAE 1/2
4	56001939	10	Wsh, Flt SAE 5/16
5	56002022	4	Wsh, Flt SAE 5/8
6	56002708	2	Nut, Hex Nyl Loc 1/4-20
7#	56003012	3	Scr, Hex SS 5/16-18 X .75
8	56003179	8	Scr, Hex Thd To Hd M8-1.25 X 20mm
9	56003312	2	Nut, Hex Nyl Loc M12-1.75
10	56003389	8	Nut, Hex Nyl Loc M8-1.25
11	56003405	4	Nut, Hex Nyl Loc SS M8-1.25
12	56003435	4	Scr, Hex SS M8-1.25 X 20mm
13	56003637	2	Scr, Hex M12-1.75 X 40mm
14#	56009030	1	Scr, Pan Phil Thd Form 10-24 X .38
15	56009116	6	Nut, Hex Hvy 1/2-20
16	56009241	1	Scr, Hex 3/8-16 X 4.25
17	56131601	2	Clamp, Hose SAE #16
18	56315118	2	Wheel, Drive TSBUS2006-949
	9096219000	2	Wheel, Polyurethane-Traction (optional)
19	56315063	1	Transaxle, 36v (M1)
*	56315676	1	Motor
*	56315677	4	Carbon Brush
*	56315678	2	Neoprene Mounting Sleeve
20	56315073	1	Weldment, Chassis
21	56315080	2	Bushing
22	56315111	2	Cylindrical Mount
23	56315154	1	Bushing, Spacer
24	56315179	2	Linkage Arm
25	56315202	2	Plate, Transaxle Mount
26	56315210	1	Assembly, Squeegee Linkage Large
27	56315239	1	Linkage Arm,
28	56315607	1	Ball Valve
29	56315691	1	Ground Chain
30	56365555	2	Caster Swivel 4.0x2.0
31	56409152	1	Barb, 90 Elbow 1/2 X 1/2npt
32	56412182	1	Nipple, Hex 3/4-14
33	56478523	1	Tie, Cable

* = Not Shown

= Revised or new since last update

06-3

SQUEEGEE LINKAGE ASSEMBLY

08-4

Adhancer™ / BA 855 TRIO EDS™**5**

Item	Ref. No.	Qty	Description
	56315210	1	Squeegee Linkage Assembly
1	56324350	2	Wheel
2	56331076	2	Collar
3	56315580	2	Bushing, Stainless
4	56475480	1	Knob
5	56001833	1	Scr, Hex 1/4-20 x 1.50
6	56002063	14	Wsh, Flt SAE 3/8
7	56002091	8	Scr, Hex 3/8-16 x 2.00
8	56002098	1	Wsh, Flt SAE 1/4
9	56002840	1	Nut, Hex Nyl Loc-Thin 1/4-20
10	56002850	2	Nut, Hex Nyl Loc-Thin SS 1/4-20
11	56002852	8	Nut, Hex Nyl Loc-Thin SS 3/8-16
12	56002901	2	Scr, Hex SS 1/4-20 x 1.50
13	56003123	1	Scr, Soc Set 10-2 4 x .38
14	56009084	2	Scr, Soc Set Loc 10-24 x .19
15	56250414	2	Bearing, Flange
16#	56315941	4	Linkage Arm, Molded
17	56315067	6	Spacer, Phenolic
18	56315068	2	Spacer, Phenolic
19	56315082	1	Pin
20	56315208	1	Weldment, Squeegee Large
21	56315240	1	Rod, Adjustment
22	56315245	1	Bushing, Squeegee Cable
23	56315295	2	Spring, Extension
24	56315698	1	Weldment, Squeegee Mount
25	56315713	1	Bracket, Squeegee Level
26	56002940	2	Wsh, Flt SAE SS 5/8

= Revised or new since last update

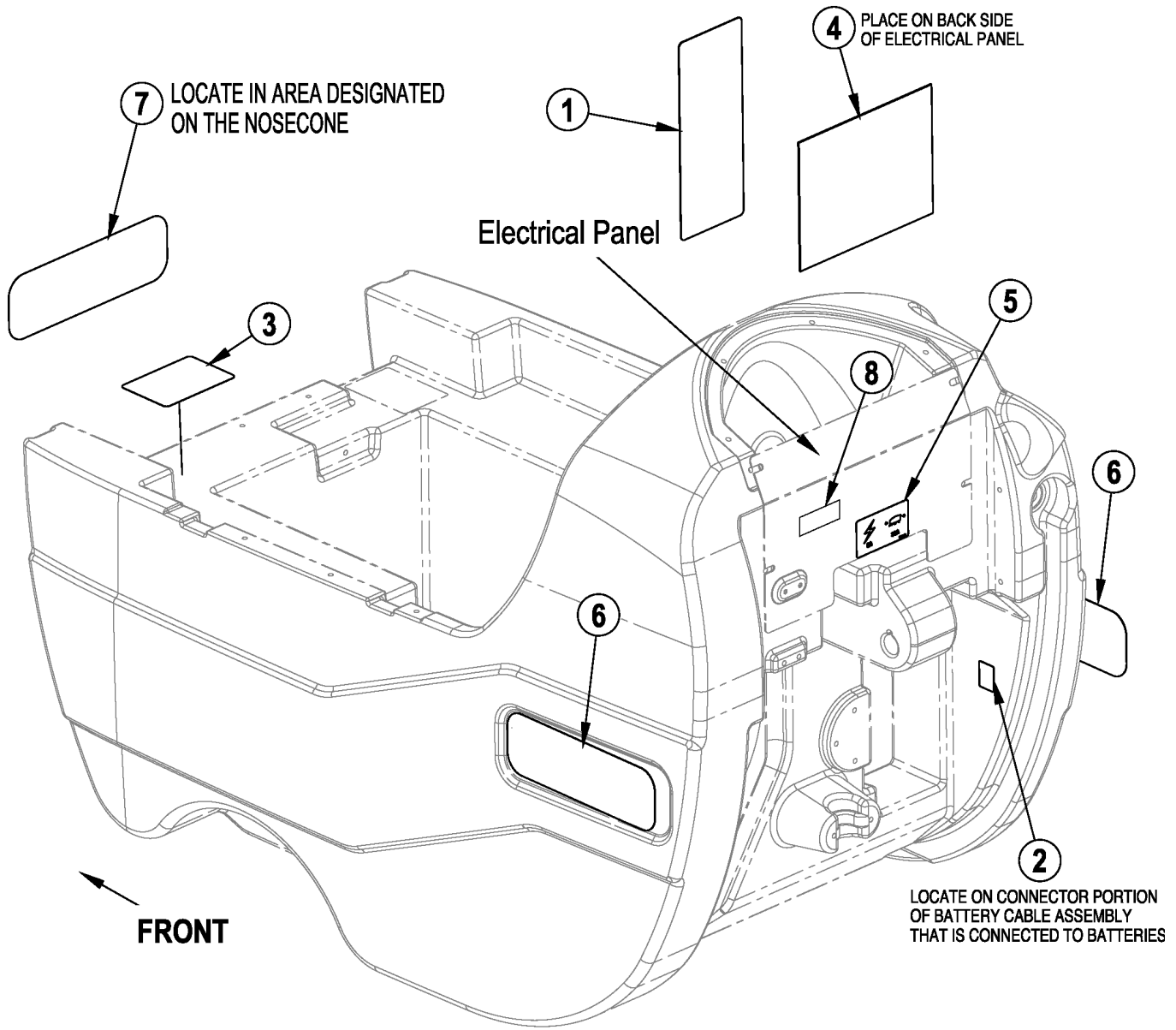
DECAL SYSTEM

06-3

6

Advancer™ / BA 855 TRIO EDS™

08-4



06-3	DECAL SYSTEM		
08-4	Adhancer™ / BA 855 TRIO EDS™		7

Item	Ref. No.	Qty	Description
1	56014601	1	Decal, Caution
2	56016324	1	Decal, Charger
3	56015259	1	Decal, Battery Wiring
4	56016748	1	Decal, Ladder Diagram
5	56016690	1	Decal, Circuit Breaker
6#	56016446	2	Decal, Adhancer (Advance only)
#	56015299	2	Decal, BA 855 TRIO EDS (Nilfisk only)
7#	56016730	1	Decal, Advance (Advance only)
#	56016731	1	Decal, Nilfisk (Nilfisk only)
8#	56014450	1	Decal, Patent Number

= Revised or new since last update

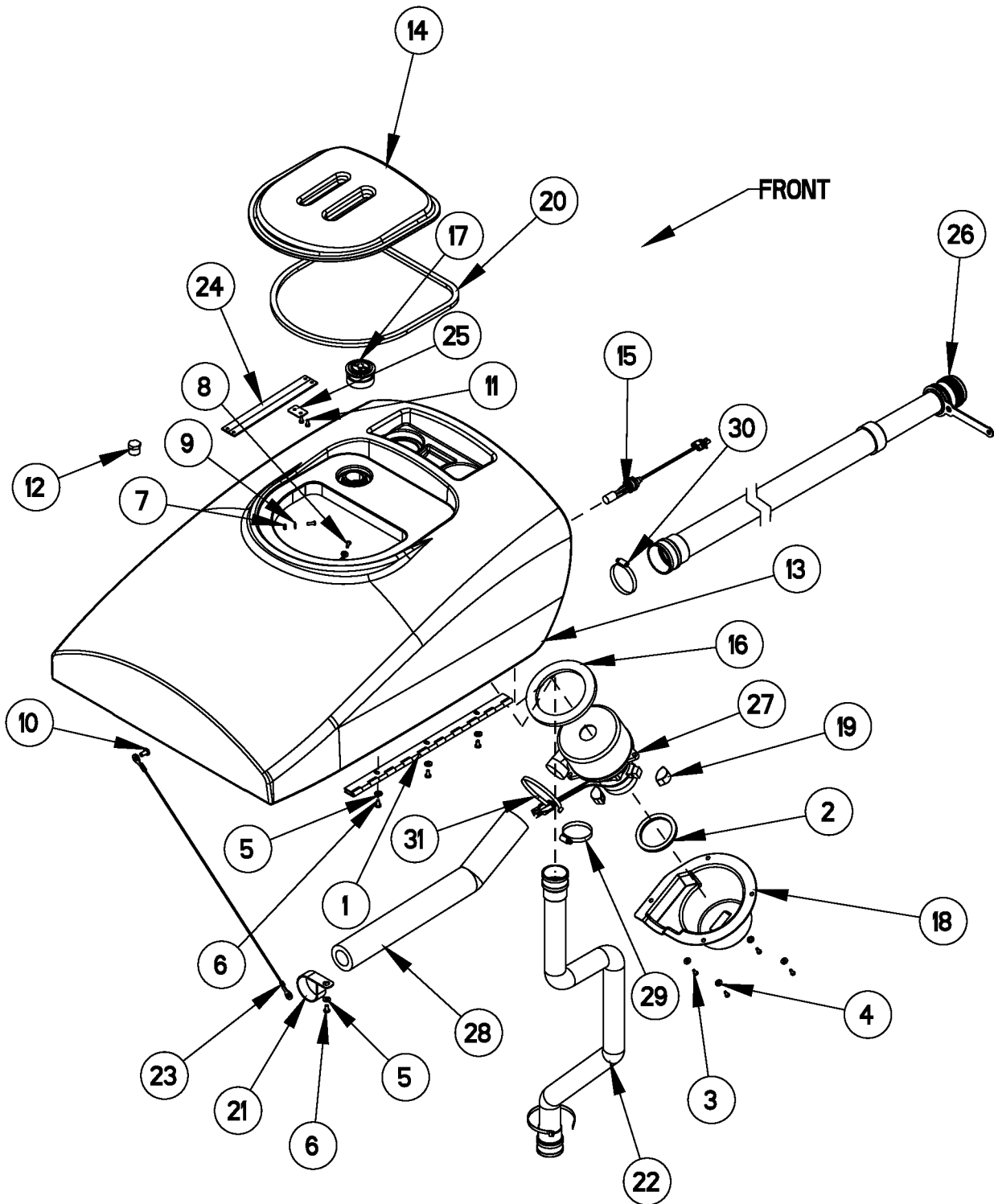
RECOVERY SYSTEM

06-3

8

Adhancer™ / BA 855 TRIO EDS™

08-4



06-3	RECOVERY SYSTEM		
08-4	Adhancer™ / BA 855 TRIO EDS™		9

Item	Ref. No.	Qty	Description
1	56315694	1	Hinge
2	56412154	1	Gasket, Vacuum Duct
3	56001993	4	Scr, Pan Phil 10-24 X .50
4	56002053	4	Wsh, Flt STD #10
5	56002098	4	Wsh, Flt SAE 1/4
6	56002145	4	Scr, Pan Phil 1/4-20 X .50
7	56002849	2	Nut, Hex Nyl Loc-Thin Ss 10-24
8	56002896	2	Scr, Pan Phil SS 10-24 X .62
9	56002919	2	Wsh, Flt STD SS #10
10	56003003	1	Scr, Pan Phil 5/16-18 X .62
11	56009005	2	Scr, Pan Phil SS Type B 10-16 X .75
12#	56305464	1	Plug, 3/4 Hex Pipe NOTE 1
13	56315406	1	Tank, Recovery TSBUS2006-938
14#	56315176	1	Cover, Recovery Tank
15	56315096	1	Switch, Electromagnetic
16	56315098	1	Gasket
17	56315099	1	Screen, Fan Inlet
18	56315102	1	Shroud, Vac Motor
19	56315141	3	Mount, Vibration
20	56315220	1	Gasket, Recovery Lid
21	56315257	1	Clamp, P
22	56315268	1	Vac Hose Assy.
23	56315272	1	Cable Assy
24	56315303	2	Retaining, Strap
25	56315346	1	Plate
26#	56601405	1	Drain Hose NOTE 2
*#	56601411	1	Drain Hose Cap Kit
*#	56601413	1	Drain Hose kit NOTE 2
27	56391208	1	Vac Motor Assy (M4)
*	56377001	1	Carbon Brush Set of 2
28	56315375	1	Foam, Acoustical
**	56315597	1	Sound Reduction Kit
29	56440213	1	Clamp, Hose SAE #32
30	56456797	1	Clamp, Hose SAE #36
31	56477613	2	Tie, Cable

* = Not Shown
** = Optional (Not Included)
= Revised or new since last update

NOTE 1: Not used after March 2008.
NOTE 2: Drain Hose 56315638 has been replaced by Drain Hose 56601405 in production. When replacing 56315638 you need to order Drain Hose Kit 56601413.

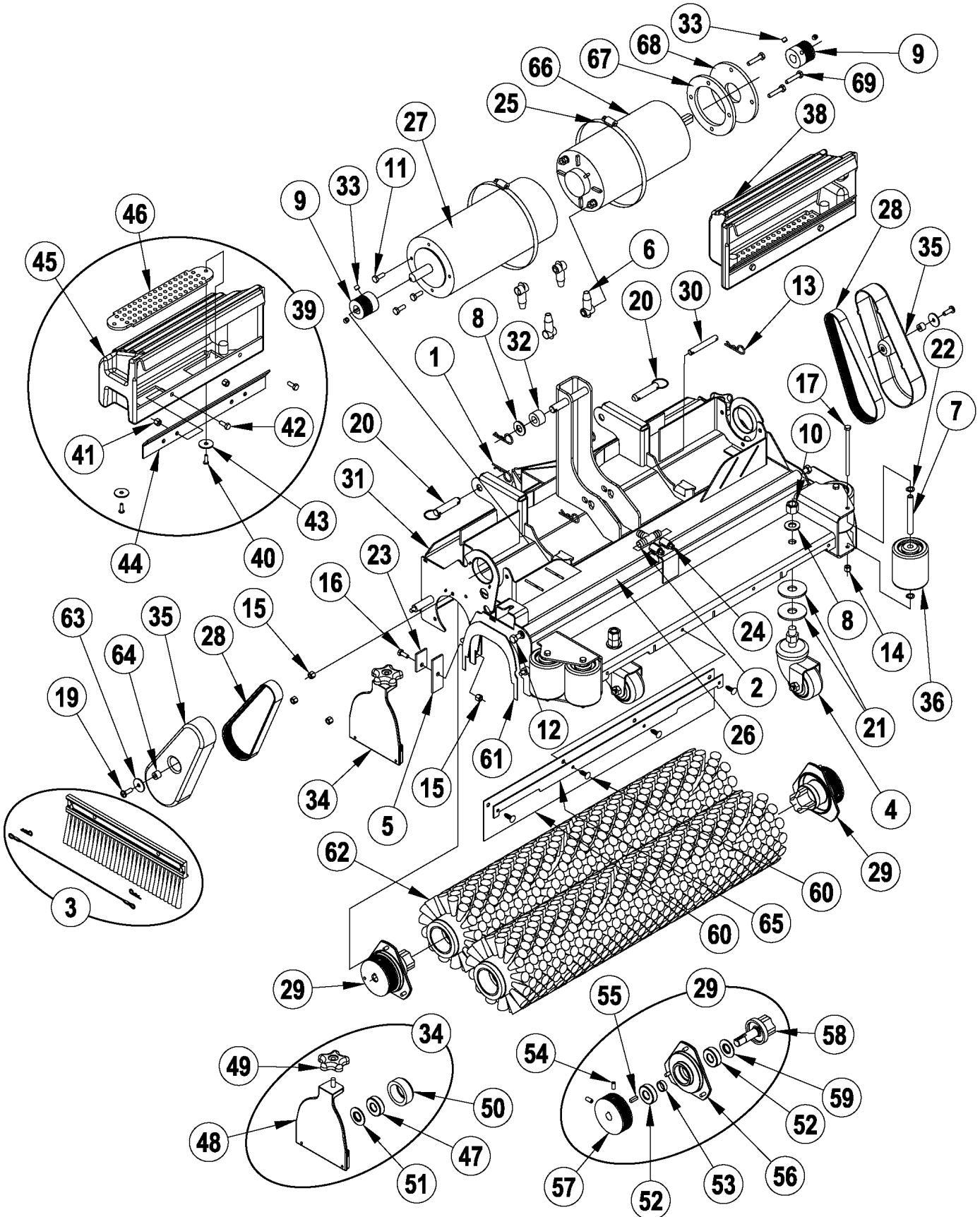
SCRUB SYSTEM

06-3

10

Adhancer™ / BA 855 TRIO EDS™

08-4

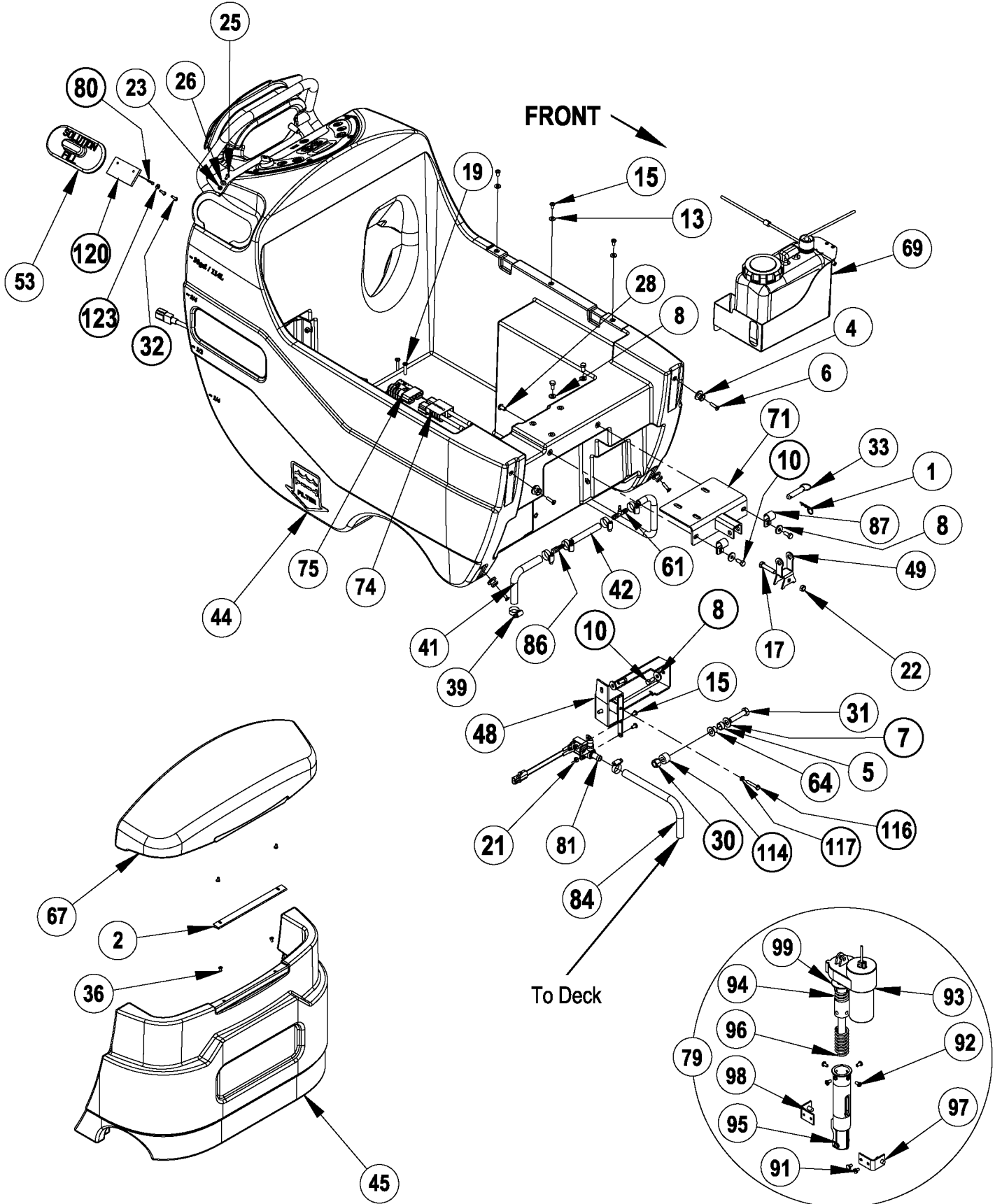


Item	Ref. No.	Qty	Description	Item	Ref. No.	Qty	Description
1	56002959	3	Pin, Cotter Hair	40	56002896	2	Scr, Pan Phil SS 10-24 x .62
2	56262549	1	Tee, Barb	41	56003426	2	Nut, Hex Nyl Loc SS M6-1
3	56316189	1	Side Skirt Kit NOTE 2	42	56003431	2	Scr, Hex Ss M6-1 x 16mm
4	56407344	3	Caster Wheel	43	56009060	2	Wsh, Flt SS .260 x 1.000 x .074
5	56407391	2	Blade	44	56316160	1	Hopper Bracket for 28"
6	56409538	4	Insulator, Terminal		56316161	1	Hopper Bracket for 32"
7	56412176	4	Bushing	45	56316163	1	Hopper, Right for 28"
8	56001879	3	Wsh, Flt SAE 1/2		56316165	1	Hopper, Right for 32"
9	56002086	4	Scr, Soc Set Loc 5/16-18 x .25		56316162	1	Hopper, Left for 28"
10	56002770	3	Nut, Hex Nyl Loc 1/2-13		56316164	1	Hopper, Left for 32"
11#	56002948	3	Scr,Hex Hd Loc 1/4-20 x .75 (qty of 6 after SN1979825)	46	56316166	1	Hopper Screen for 28"
12	56002992	2	Scr, Hex SS 5/16-18 x .50		56316167	1	Hopper Screen for 32"
13	56003120	2	Pin, Cotter Hair .0915 x .375	47	56106070	1	Bearing, Ball
14	56003403	4	Nut, Hex Nyl Loc M6-1	48	56316086	1	Idler Bearing Plate, Polished
15	56003426	8	Nut, Hex Nyl Loc SS M6-1	49	56396254	1	Knob
16	56003431	2	Scr, Hex SS M6-1 x 16mm	50	56316175	1	Hub
17	56003492	4	Scr, Hex M6-1 x 95mm	51	56407558	1	Washer, Bearing
18			Intentionally Omitted	52	56106070	2	Bearing, Ball
19	56009126	2	Scr, Pan Phil Thd Form 1/4-20 x .75	53	56407389	1	Spacer
20	56003679	2	Pin, Ring .50 x 1.63	54	56002119	2	Scr, Soc Set Loc 1/4-20 x .50
21	56003739	6	Wsh, Flt Nylon .625 x 2.000 x .125	55	56003237	1	Key, Sq .19 x .62
22	56009045	8	Wsh, Bowed .375 x .578 x .060	56	56315405	1	Bearing Plate
23	56410214	2	Strap	57	56316054	1	Sheave, Poly-V
24	56112771	2	Clamp, Hose SAE #10	58	56316072	1	Spindle, Stainless
25	56355488	2	Clamp, Hose SAE #96	59	56407558	1	Washer, Bearing
26	56315355	2	Manifold, PVC 28"	60	56316187	1	Splash Guard Kit (for 28" deck) NOTE 3
	56315647	2	Manifold, PVC 32"		56316188	1	Splash Guard Kit (for 32" deck) NOTE 3
27	56316052	1	Motor, 36 Vdc, 1.25 HP, 3000 RPM TSBUS2006-951	61	56316191	2	Gasket
*	56315320	1	Harness, Brush	62	56316050	2	Adhancer Brushes for 28" NOTE 1
28	56316053	2	Belt, Auto Tension		56316051	2	Adhancer Brushes for 32" NOTE 1
29	56316057	2	Drive End Assy (items 52-59)	63	56009060	2	Wsh, Flt SS .260 x 1.000 x .074
30	56316059	1	Pin	64	56391840	2	Bushing .31 x .50 x .40
31#	56316061	1	Housing, Weldment 28" NOTE 4	65	56316184	1	Retainer, Splash Guard (for 28" deck)
#	56316199	1	Housing, Weldment 28" NOTE 5		56316185	1	Retainer, Splash Guard (for 32" deck)
#	56316071	1	Housing, Weldment 32" NOTE 4	66	56315611	1	Motor, 36 Vdc, .75 HP, 1800 RPM TSBUS2006-951
#	56316200	1	Housing, Weldment 32" NOTE 5	*	56315320	1	Harness, Brush
32	56316063	1	Bushing	67	56316197	1	Plate, Motor Spacer TSBUS2006-951 NOTE 4
33	56316066	2	Sheave, Poly-V	68	56316201	1	Plate, Motor Spacer TSBUS2006-951 NOTE 4
34	56316087	2	Idler End Assy, Polished (items 47-51)	69	56001878	3	Scr, Hex 1/4-20 x 1.25 TSBUS2006-951 NOTE 4
35	56316088	2	Cover, Belt				
36	56316089	4	Wheel				
37			Intentionally Omitted				
38	56316168	1	Hopper Assy, Left for 28" (items 40-46)				
	56316170	1	Hopper Assy, Left for 32" (items 40-46)				
39	56316169	1	Hopper Assy, Right for 28" (items 40-46)				
	56316171	1	Hopper Assy, Right for 32" (items 40-46)				

* = Not Shown

= Revised or new since last update

NOTE 1: Cannot use any other brushes.**NOTE 2:** Side Skirt Kit includes; 2 bristle side skirts, 2 wire ropes and 4 cotter pins.**NOTE 3:** Splash Guard Kits include; Splash Guard and required number of Nylon Rivets.**NOTE 4:** Only used before SN1979826.**NOTE 5:** Only used after SN1979825.



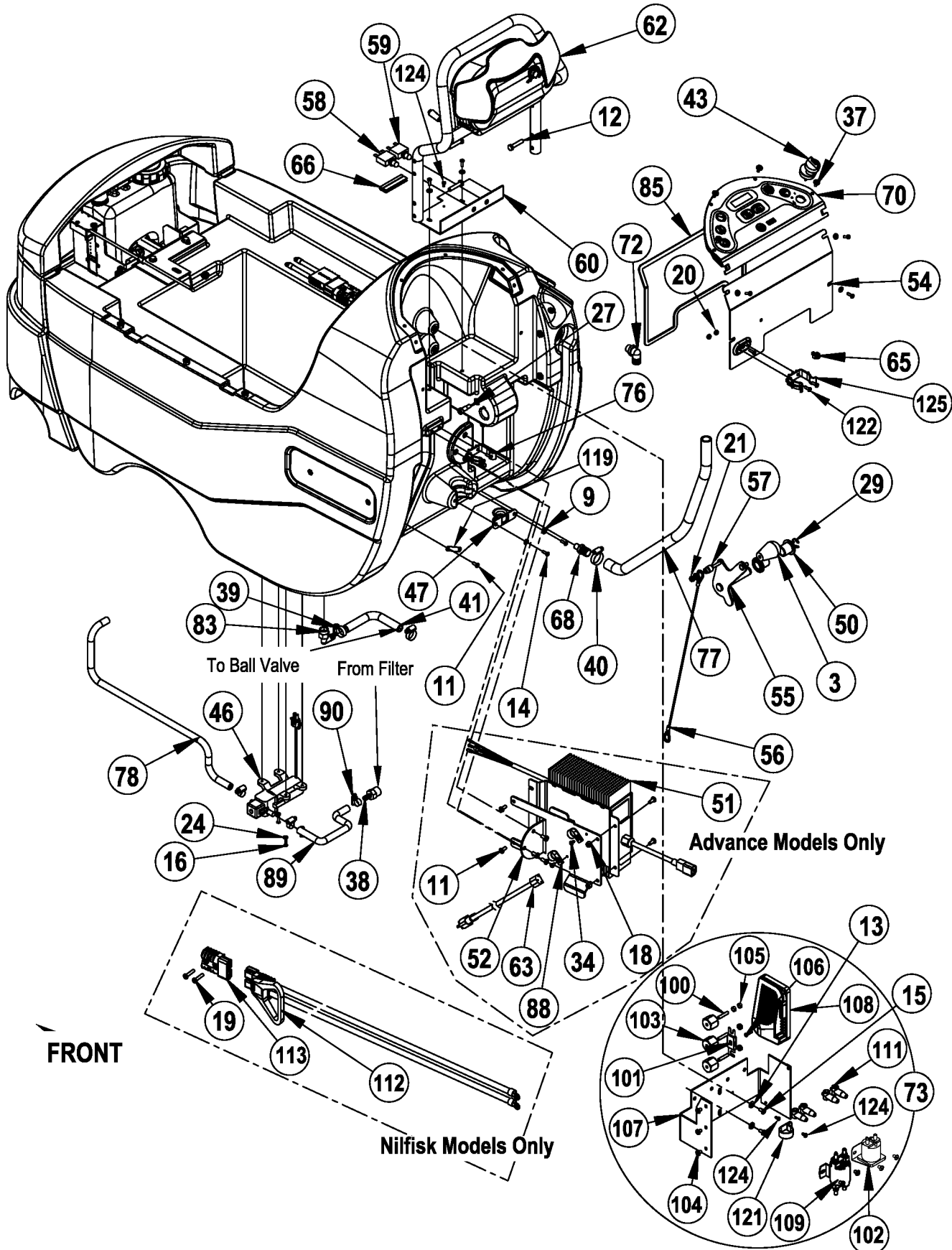
Item	Ref. No.	Qty	Description	Item	Ref. No.	Qty	Description
1	56002959	1	Pin, Cotter Hair	61	56315265	1	Tee, Barb
2	56302168	1	Hinge	62	56315266	1	Assembly, Paddle
3	56364527	1	Knob	63	56315270	1	Charger Cord, US (Advance only)
4	56365777	4	Lug, Brush Driver	64	56315380	1	Bushing
5	56370878	1	Bearing, Sleeve	65	56315382	1	Clip, Conduit
6	56001832	4	Scr, Flt Phil 1/4-20 X 1.00	66	56315532	1	Gasket
7	56001879	1	Wsh, Flt SAE 1/2	67	56315609	1	Cover, Chemical Tank
8	56009122	7	Wsh, Flt .344 X .938 X .125	68	56315634	1	Barb, Adaptor 3/4 X 1/2 Npt
9	56001954	11	Wsh, Flt SAE #10	69	56315645	1	Chemical Tank Assy
10	56002667	7	Scr, Hex 5/16-18 X .75	70	56316121	1	Control Panel Assy TSBUS2006-951
11	56002066	8	Scr, Pan Phil 1/4-20 X .62 (Advance only)	71	56315744	1	Weldment, Actuator Mount TSBUS2006-940
12	56002094	4	Scr, Hex 5/16-18 X 1.50	72	56315683	1	Barb, 90 Elbow 3/4 X 3/8npt
13	56002098	6	Wsh, Flt SAE 1/4	73	56315684	1	Assembly, Electrical Box (34, 100-111 & 121)
14	56002124	10	Scr, Pan Phil 10-24 X .62	74	56315686	1	Charge Connector Assy (Advance only / to batteries)
15	56002145	7	Scr, Pan Phil 1/4-20 X .50	75	56315687	2	Charge Connector Assy (Advance only / to electrical box)
16	56002146	3	Scr, Pan Phil 8-32 X .62	76	56331154	2	Clamp, Plastic
17	56002684	1	Scr, Hex 3/8-16 X 1.75	77	56379139	1	Hose, PVC
18	56002708	4	Nut, Hex Nyl Loc 1/4-20 (Advance only)	78	56391802	1	Hose, Spiral .375
19	56002825	2	Scr, Pan Phil 1/4-20 X 1.25	79	56396049	1	Lift Actuator Assembly (91-99)
20	56002832	2	Nut, Hex Nyl Loc-Thin 10-24	80	56410254	1	Wire Rope, 6 Inch
21	56002840	3	Nut, Hex Nyl Loc-Thin 1/4-20	81	56397215	1	Solenoid Valve Assy. 36v
22	56002841	1	Nut, Hex Nyl Loc-Thin 3/8-16	83	56409152	1	Barb, 90 Elbow 1/2 X 1/2npt
23	56002849	1	Nut, Hex Nyl Loc-Thin Ss 10-24	84	56409462	1	Hose, Spiral .500
25	56002896	1	Scr, Pan Phil SS 10-24 X .62	85	56412285	1	Gasket, Elect. Cover
26	56002919	1	Wsh, Flt Std Ss #10	86	56418669	1	Reducer, Barb
27	56002962	1	Scr, Soc Shd .38 X .62 X 5/16-18	87	56469380	2	Clamp, P
28	56003003	1	Scr, Pan Phil 5/16-18 X .62	88	56486112	2	Clamp, P
29	56003266	1	Ring, Ret Ext Type E 0.75 Dia.	89	56249682	1	Spiral, Hose X .375
30	56003312	1	Nut, Hex Nyl Loc M12-1.75	90	56756364	6	Clamp, Hose SAE #4
31	56003708	1	Scr, Hex M12-1.75 X 35mm	91	56009019	2	Scr, Hex Thd Form 1/4-20 X .38
32#	56009006	2	Scr, Pan Phil SS Type B 10-16 X 1.00	92	56009062	4	Scr, Pan Phil Thd Form 1/4-20 X .50
33	56003679	1	Pin, Ring .50 X 1.63	93	56393303	1	Actuator, Motor (M5)
34#	56009030	2	Scr, Pan Phil Thd Form 10-24 X .38 (Advance only)	*#	56388520	1	Plastic Nut
36	56009139	4	Scr, Pan Phil Loc 10-24 X .38	94	56412071	1	Compression Spring
37	56009206	4	Scr, Truss Phil-Blk 10-24x.50	95	56412262	1	Housing, Spring
38	56051207	1	Barb, Adapter 3/8 X 1/2 Npt	96	56420018	1	Compression Spring
39	56219932	5	Clamp, Hose SAE #6	97	56420019	1	Nut Retainer
40	56244969	1	Clamp, Hose SAE #12	98	56420020	1	Nut Retainer
41	56262180	2	Hose, Spiral .500	99	56396268	1	Spring Housing Guide
42	56302015	1	Hose, Spiral .375	100	56009203	3	Stud, 1/4-20
43	56303553	1	Key Switch Assy (S3)	101	56412089	1	Fuse, 150 Amp
*	56303526	A/R	Set of 2 Keys	102#	56395455	1	Contacto 36v (K2 / Vac Motor)
44	56315733	1	Tank, Solution TSBUS2006-940	103	56469858	3	Standoff, Insulated
45	56315087	1	Nose Cone	104	56002462	7	Scr, Pan Phil 1/4-20 X .38
46	56315108	1	Pump, Solution (M5)	105	56002561	4	Nut, Hex W/ Shprf 1/4-20
47	56315121	1	Guide, Cable	106	56003698	2	Scr, Pan Phil Thd Form 8-32 X .75
48	56315736	1	Pivot Weld't. TSBUS2006-940	107	56315629	1	Panel, Electrical
49	56315191	1	Yoke, Actuator	108	56315692	1	Controller, Speed
50	56315193	2	Bushing, Flange	109	56397250	1	Solenoid, Spdt 36v (K1 / Brush Motor)
51#	56315204	1	Charger, On-Board 36v (Advance only) NOTE #1 TSBUS2006-931 / TSBUS2007-979	110	56409538	4	Insulator, Terminal
*	56315747	1	Thermister Repair Kit for 56315204	111	56398000	1	Connector Assy (Nilfisk only / to batteries)
52	56315206	1	Bracket, Charger (Advance only)	112	56315687	1	Charge Connector Assy (Nilfisk only / to electrical box)
53	56315219	1	Cover, Solution Fill	113	56315479	1	Bushing
54	56315222	1	Panel, Electrical	114	56315479	1	Bushing
55	56315236	1	Weldment, Squeegee Lift	115			Intentionally Omitted
56	56315243	1	Cable Assy	116	56003709	1	Scr, Hex Thd to Hd 1/4-20 x 1.50
57	56315245	1	Bushing, Squeegee Cable	117	56009087	1	Nut, Hex Jam 1/4-20
58	56315255	1	Circuit Breaker, 5 Amp	118			Intentionally Omitted
59	56315256	1	Circuit Breaker, 30 Amp	119	56249884	1	Plate
60	56315259	1	Plate, Circuit Breaker	120	56315166	1	Plate
				121	56410166	1	Clamp, P
				122	56001993	2	Scr, Pan Phil 10-24 x .50
				123	56002916	2	Wsh, Flt SAE SS #10
				124	56009030	3	Scr, Pan Phil Thd Form 10-24 X .38
				125#	56396199	1	Clamp, Plastic

* = Not Shown

= Revised or new since last update

NOTE #1: Starting with Charger serial # CP360614027995 the charger software can be programmed with a computer and the QuiQ Programmer kit 56315732.

FORM NO. 56042469



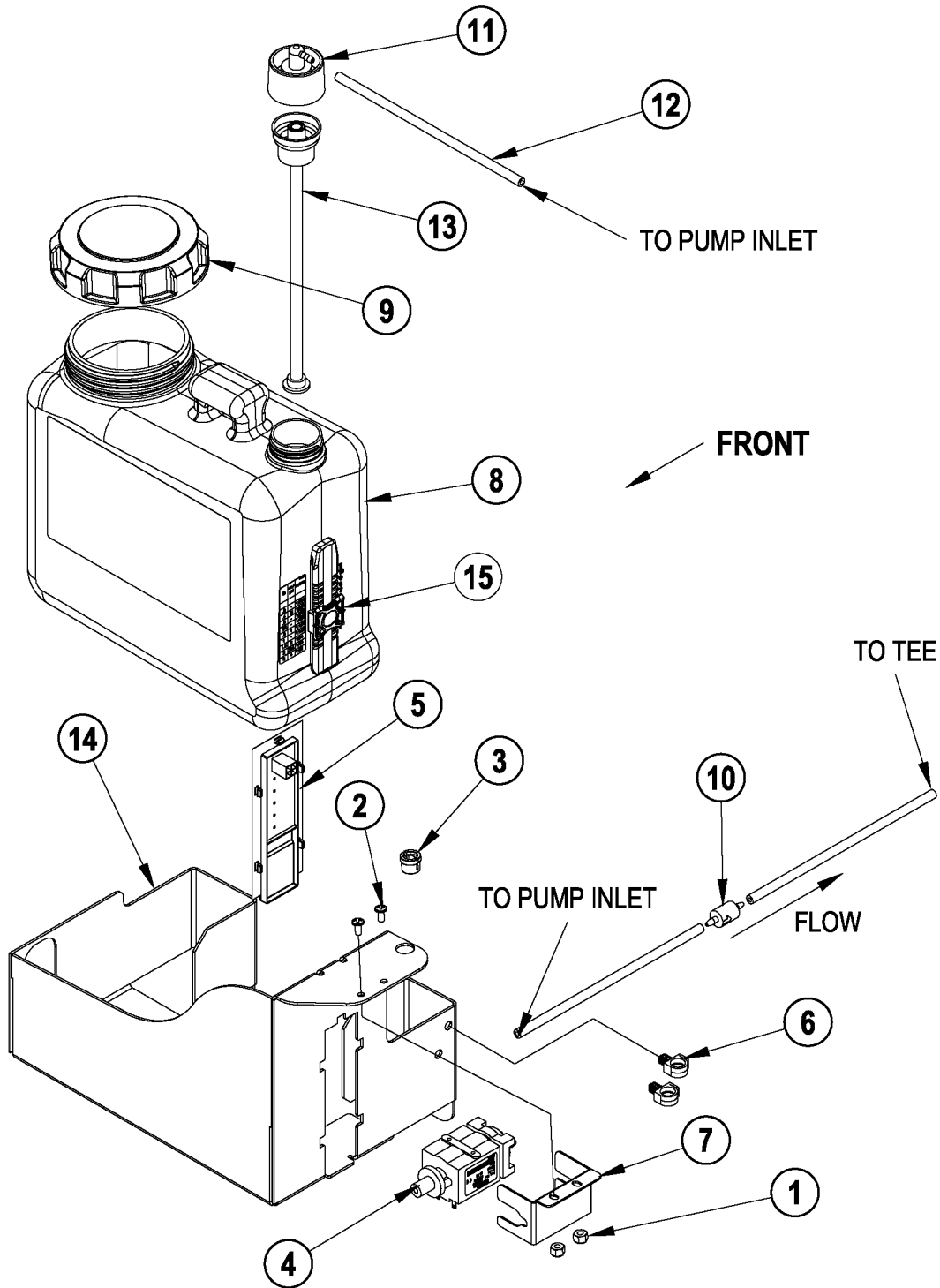
Item	Ref. No.	Qty	Description	Item	Ref. No.	Qty	Description
1	56002959	1	Pin, Cotter Hair	61	56315265	1	Tee, Barb
2	56302168	1	Hinge	62	56315266	1	Assembly, Paddle
3	56364527	1	Knob	63	56315270	1	Charger Cord, US (Advance only)
4	56365777	4	Lug, Brush Driver	64	56315380	1	Bushing
5	56370878	1	Bearing, Sleeve	65	56315382	1	Clip, Conduit
6	56001832	4	Scr, Flt Phil 1/4-20 X 1.00	66	56315532	1	Gasket
7	56001879	1	Wsh, Flt SAE 1/2	67	56315609	1	Cover, Chemical Tank
8	56009122	7	Wsh, Flt .344 X .938 X .125	68	56315634	1	Barb, Adaptor 3/4 X 1/2 Npt
9	56001954	11	Wsh, Flt SAE #10	69	56315645	1	Chemical Tank Assy
10	56002667	7	Scr, Hex 5/16-18 X .75	70	56316121	1	Control Panel Assy TSBUS2006-951
11	56002066	8	Scr, Pan Phil 1/4-20 X .62 (Advance only)	71	56315744	1	Weldment, Actuator Mount TSBUS2006-940
12	56002094	4	Scr, Hex 5/16-18 X 1.50	72	56315683	1	Barb, 90 Elbow 3/4 X 3/8npt
13	56002098	6	Wsh, Flt SAE 1/4	73	56315684	1	Assembly, Electrical Box (34, 100-111 & 121)
14	56002124	10	Scr, Pan Phil 10-24 X .62	74	56315686	1	Charge Connector Assy (Advance only / to batteries)
15	56002145	7	Scr, Pan Phil 1/4-20 X .50	75	56315687	2	Charge Connector Assy (Advance only / to electrical box)
16	56002146	3	Scr, Pan Phil 8-32 X .62	76	56331154	2	Clamp, Plastic
17	56002684	1	Scr, Hex 3/8-16 X 1.75	77	56379139	1	Hose, PVC
18	56002708	4	Nut, Hex Nyl Loc 1/4-20 (Advance only)	78	56391802	1	Hose, Spiral .375
19	56002825	2	Scr, Pan Phil 1/4-20 X 1.25	79	56396049	1	Lift Actuator Assembly (91-99)
20	56002832	2	Nut, Hex Nyl Loc-Thin 10-24	80	56410254	1	Wire Rope, 6 Inch
21	56002840	3	Nut, Hex Nyl Loc-Thin 1/4-20	81	56397215	1	Solenoid Valve Assy. 36v
22	56002841	1	Nut, Hex Nyl Loc-Thin 3/8-16	83	56409152	1	Barb, 90 Elbow 1/2 X 1/2npt
23	56002849	1	Nut, Hex Nyl Loc-Thin Ss 10-24	84	56409462	1	Hose, Spiral .500
25	56002896	1	Scr, Pan Phil SS 10-24 X .62	85	56412285	1	Gasket, Elect. Cover
26	56002919	1	Wsh, Flt Std Ss #10	86	56418669	1	Reducer, Barb
27	56002962	1	Scr, Soc Shd .38 X .62 X 5/16-18	87	56469380	2	Clamp, P
28	56003003	1	Scr, Pan Phil 5/16-18 X .62	88	56486112	2	Clamp, P
29	56003266	1	Ring, Ret Ext Type E 0.75 Dia.	89	56249682	1	Spiral, Hose X .375
30	56003312	1	Nut, Hex Nyl Loc M12-1.75	90	56756364	6	Clamp, Hose SAE #4
31	56003708	1	Scr, Hex M12-1.75 X 35mm	91	56009019	2	Scr, Hex Thd Form 1/4-20 X .38
32#	56009006	2	Scr, Pan Phil SS Type B 10-16 X 1.00	92	56009062	4	Scr, Pan Phil Thd Form 1/4-20 X .50
33	56003679	1	Pin, Ring .50 X 1.63	93	56393303	1	Actuator, Motor (M5)
34#	56009030	2	Scr, Pan Phil Thd Form 10-24 X .38 (Advance only)	*#	56388520	1	Plastic Nut
36	56009139	4	Scr, Pan Phil Loc 10-24 X .38	94	56412071	1	Compression Spring
37	56009206	4	Scr, Truss Phil-Blk 10-24x.50	95	56412262	1	Housing, Spring
38	56051207	1	Barb, Adapter 3/8 X 1/2 Npt	96	56420018	1	Compression Spring
39	56219932	5	Clamp, Hose SAE #6	97	56420019	1	Nut Retainer
40	56244969	1	Clamp, Hose SAE #12	98	56420020	1	Nut Retainer
41	56262180	2	Hose, Spiral .500	99	56396268	1	Spring Housing Guide
42	56302015	1	Hose, Spiral .375	100	56009203	3	Stud, 1/4-20
43	56303553	1	Key Switch Assy (S3)	101	56412089	1	Fuse, 150 Amp
*	56303526	A/R	Set of 2 Keys	102#	56395455	1	Contacto 36v (K2 / Vac Motor)
44	56315733	1	Tank, Solution TSBUS2006-940	103	56469858	3	Standoff, Insulated
45	56315087	1	Nose Cone	104	56002462	7	Scr, Pan Phil 1/4-20 X .38
46	56315108	1	Pump, Solution (M5)	105	56002561	4	Nut, Hex W/ Shprf 1/4-20
47	56315121	1	Guide, Cable	106	56003698	2	Scr, Pan Phil Thd Form 8-32 X .75
48	56315736	1	Pivot Weld't. TSBUS2006-940	107	56315629	1	Panel, Electrical
49	56315191	1	Yoke, Actuator	108	56315692	1	Controller, Speed
50	56315193	2	Bushing, Flange	109	56397250	1	Solenoid, Spdt 36v (K1 / Brush Motor)
51#	56315204	1	Charger, On-Board 36v (Advance only) NOTE #1 TSBUS2006-931 / TSBUS2007-979	110	56409538	4	Insulator, Terminal
*	56315747	1	Thermister Repair Kit for 56315204	111	56398000	1	Connector Assy (Nilfisk only / to batteries)
52	56315206	1	Bracket, Charger (Advance only)	112	56315687	1	Charge Connector Assy (Nilfisk only / to electrical box)
53	56315219	1	Cover, Solution Fill	113	56315479	1	Bushing
54	56315222	1	Panel, Electrical	114			Intentionally Omitted
55	56315236	1	Weldment, Squeegee Lift	115			Intentionally Omitted
56	56315243	1	Cable Assy	116	56003709	1	Scr, Hex Thd to Hd 1/4-20 x 1.50
57	56315245	1	Bushing, Squeegee Cable	117	56009087	1	Nut, Hex Jam 1/4-20
58	56315255	1	Circuit Breaker, 5 Amp	118			Intentionally Omitted
59	56315256	1	Circuit Breaker, 30 Amp	119	56249884	1	Plate
60	56315259	1	Plate, Circuit Breaker	120	56315166	1	Plate
				121	56410166	1	Clamp, P
				122	56001993	2	Scr, Pan Phil 10-24 x .50
				123	56002916	2	Wsh, Flt SAE SS #10
				124	56009030	3	Scr, Pan Phil Thd Form 10-24 X .38
				125#	56396199	1	Clamp, Plastic

* = Not Shown

= Revised or new since last update

NOTE #1: Starting with Charger serial # CP360614027995 the charger software can be programmed with a computer and the QuiQ Programmer kit 56315732.

FORM NO. 56042469



06-3

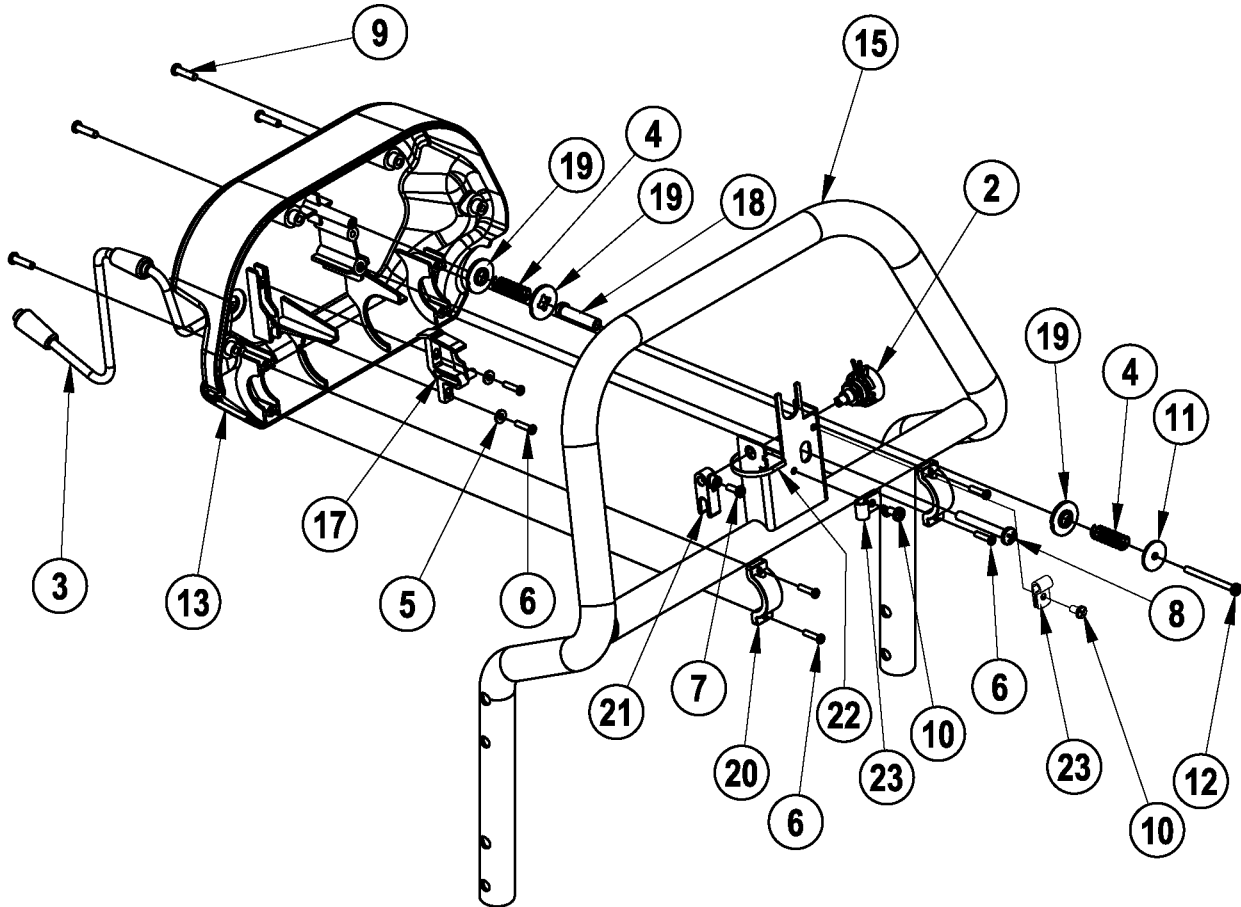
CHEMICAL ASSEMBLY (AXP / EDS)

08-4

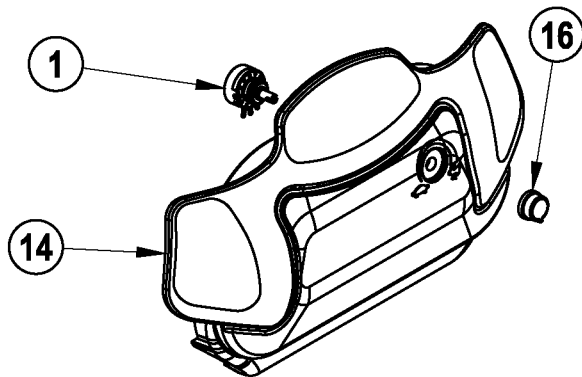
Adhancer™ / BA 855 TRIO EDS™**17**

Item	Ref. No.	Qty	Description
	56315645	1	Chemical Tank Assy
1	56002877	2	Nut, Hex Nyl Loc SS 8-32
2	56003018	2	Scr, Pan Phil SS 8-32 x .38
3	56003699	1	Bushing, 1/4 ID Snub
4	56315241	1	Pump, Chemical
5	56315340	1	Chemical Sensor Assy
6	56315382	2	Clip, Conduit
7	56315476	1	Bracket, Chemical Pump
8	56315502	1	Chemical Bottle As
**#	56316081	A/R	AXP 3-in-1 Adhancing Agent, 4 pack
**#	56315503	A/R	Chemical Bottle Assy (8, 9, 13)
9	56315517	1	Cap, Raw
10	56315522	1	Check Valve, 1/8 Barb, 125 PSI
11	56315523	1	Cap, Dry Break, 1/8 Barb, 90°
12	56315524	3	Hose, Chemical Resistant, 7"
13	56315527	1	Insert, Dry Break
14	56315644	1	Bracket, Tank Mounting
15	56315511	1	Indicator Assy

** = Optional, Not Included

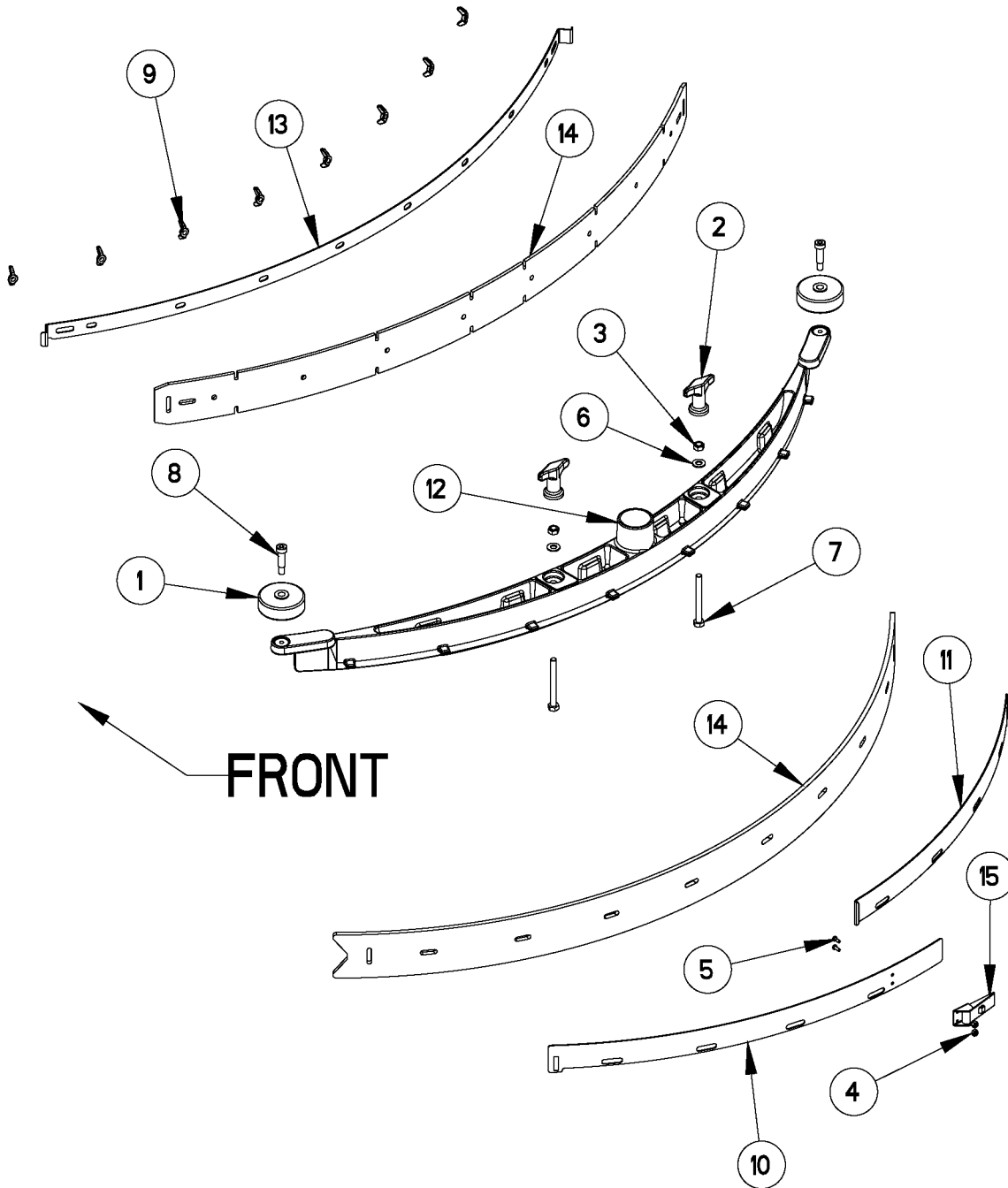


FRONT



PADDLE ASSEMBLY**Adhancer™ / BA 855 TRIO EDS™**

Item	Ref. No.	Qty	Description
	56315266	1	Assembly, Paddle
1	56396197	1	Potentiometer, 100k (R2)
2	56397029	1	Potentiometer, 5k (R1)
3	56315231	1	Harness, Handle
4	56325654	2	Spring, Compression
5	56002006	2	Wsh, Flt SAE #6
6	56003197	6	Scr, Pan Phil Plastite 6-18 x .62
7	56003354	1	Scr, Pan Phil M4 x 12
8	56003527	1	Scr, Pan Phil Plastite 1/4-10 x 2.00
9	56003545	4	Scr, Pan Phil Plastite 8-10 x .75
10	56009030	2	Scr, Pan Phil Thd Form 10-24 x .38
11	56009096	1	Wsh, Flt .193 x .875 x .060
12	56009287	1	Scr, Pan Phil Type B 8 x 2.00
13	56315229	1	Paddle, Back Cover
14	56315230	1	Paddle, Front Cover
15	56315251	1	Weldment, Handle Bar
16	56315280	1	Knob
17	56397015	1	Cam Controller
18	56397109	1	Sleeve
19	56397170	3	Washer, Plastic
20	56397171	2	Clamp
21	56397172	1	Potentiometer Fork
22	56478246	1	Tie, Cable
23	56481890	2	Clamp, P



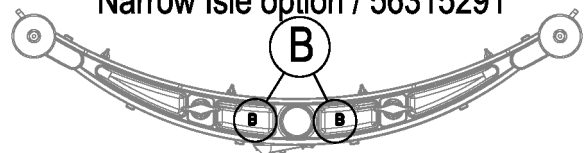
Item	Ref. No.	Qty	Description
	56315632	1	Squeegee Assembly "D"
#	56314290	1	Squeegee Assembly "C" (Narrow Isle Option)
#	56314291	1	Squeegee Assembly "B" (Narrow Isle Option)
1	56324350	2	Wheel
2	56370711	2	Nut, Thumb
3	56002851	2	Nut, Hex Nyl Loc-Thin SS 5/16-18
4	56002907	2	Nut, Hex Nyl Loc SS 6-32
5	56002909	2	Scr, Pan Phil SS 6-32 x .38
6	56002938	2	Wsh, Flt Sae SS 5/16
7	56003736	2	Scr, Hex Thd to Hd SS 5/16-18 x 3.00
8	56003472	2	Scr, Soc Shd .38 x 1.00 x 5/16-18
9	56009111	8	Nut, Wing SS 1/4-20
10	56314691	1	Strap, Left Rear "D" (used on 56315632)
#	56314323	1	Strap, Left Rear "C" (used on 56315290)
	56314026	1	Strap, Left Rear "B" (used on 56315291)
11	56314692	1	Strap, Right Rear "D" (used on 56315632)
#	56314324	1	Strap, Right Rear "C" (used on 56315290)
	56314027	1	Strap, Right Rear "B" (used on 56315291)
12	56314694	1	Squeegee Tool, Cast "D" (used on 56315632)
#	56314325	1	Squeegee Tool, Cast "C" (used on 56315290)
	56314271	1	Squeegee Tool, Cast "B" (used on 56315291)
13	56314696	1	Strap, Front "D" (used on 56315632)
#	56314322	1	Strap, Front "C" (used on 56315290)
	56314028	1	Strap, Front "B" (used on 56315291)
14	56315674	1	Kit, Gum Rubber Squeegee Blade "D" (used on 56315632) NOTE 1
#	56315348	1	Kit, Gum Rubber Squeegee Blade "C" (used on 56315290) NOTE 1
#	56315347	1	Kit, Gum Rubber Squeegee Blade "B" (used on 56315291) NOTE 1
15	56471194	1	Latch Assembly
			"D" Squeegee Blade Kits for 56315632
**	56315674	1	Kit, Gum Rubber Squeegee Blade "D" NOTE 1
**	56314865	1	Kit, Linatex Squeegee Blade "D" NOTE 1
**	56314843	1	Kit, Neoprene Squeegee Blade "D" NOTE 1
			"C" Squeegee Blade Kits for 56315290
**#	56315348	1	Kit, Gum Rubber Squeegee Blade "C" NOTE 1
**#	56315352	1	Kit, Linatex Squeegee Blade "C" NOTE 1
**#	56314062	1	Kit, Neoprene Squeegee Blade "C" NOTE 1
			"B" Squeegee Blade Kits for 56315291
**#	56315347	1	Kit, Gum Rubber Squeegee Blade "B" NOTE 1
**#	56314351	1	Kit, Linatex Squeegee Blade "B" NOTE 1
**	56314305	1	Kit, Neoprene Squeegee Blade "B" NOTE 1

** = Optional, Not Included

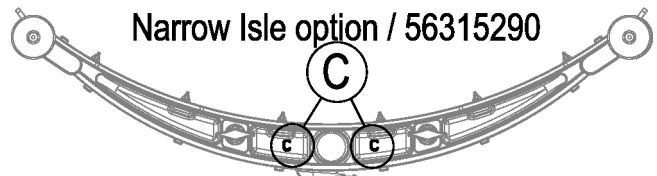
= Revised or new since last update

NOTE 1: All squeegee blade kits include both front and rear squeegee blades.

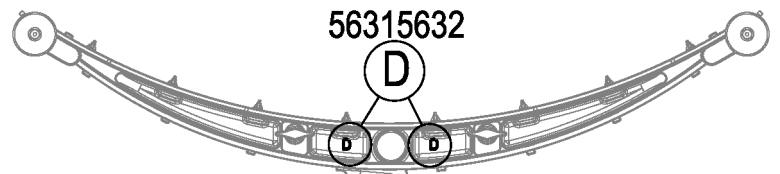
Narrow Isle option / 56315291

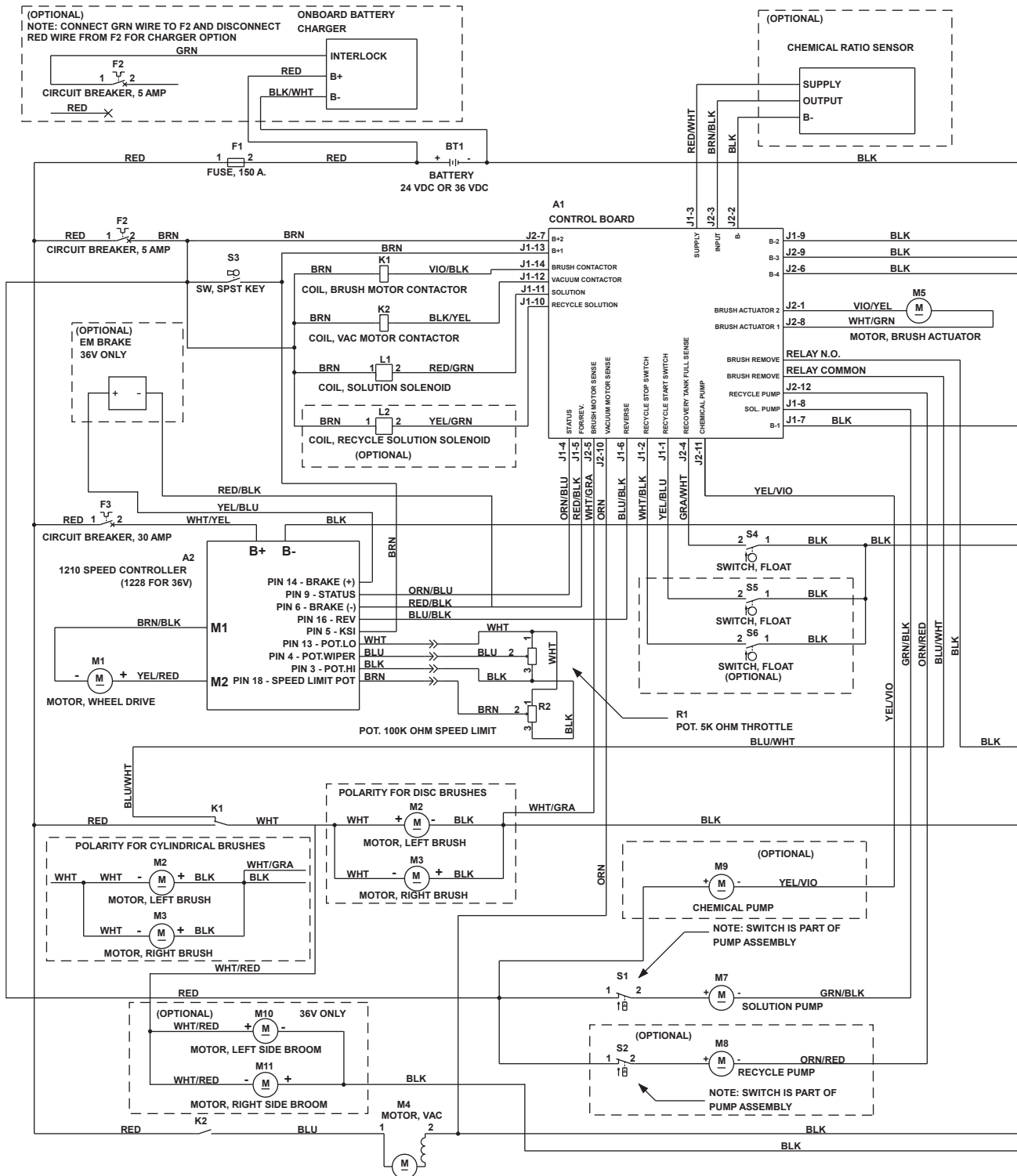


Narrow Isle option / 56315290



56315632





REFERENCE: WIRING DIAGRAM 56315302 FOR 24V
WIRING DIAGRAM 56316112 FOR 36V

56016748-REV. A

Item	Ref. No.	Qty	Description
A1	56316121	1	Control Panel Assy TSBUS2006-951
A2	56315692	1	Speed Control
BT1	NA	6	Battery
F1	56412089	1	Fuse, 150 Amp
F2	56315255	1	Circuit Breaker, 5 Amp
F3	56315256	1	Circuit Breaker, 30 Amp
K1	56397250	1	Contactora, Brush Motor
K2#	56395455	1	Contactora, Vac Motor (All Models)
L1	56397215	1	Solenoid, Solution
L2	56397215	1	Solenoid, Recycle Solution (Optional)
M1	56315063	1	Transaxle, 36V
*	56315676	1	Motor
*	56315677	4	Carbon Brush
*	56315678	2	Neoprene Mounting Sleeve
M2	56316052	1	Motor, Left Brush 36 VDC, 1.25 HP, 3000 RPM
*	56412287	1	Brush / Spring Kit
M3	56316052	1	Motor, Right Brush 36 VDC, 1.25 HP, 3000 RPM
*	56412287	1	Brush / Spring Kit
M4	56391208	1	Vac Motor Assy
*	56377001	1	Carbon Brush Set of 2
M5	56393303	1	Motor, Brush Actuator
*#	56388520	1	Plastic Nut
M7	56315108	1	Pump, Solution
M8	56315107	1	Pump, Recycle (Optional)
M9	56315241	1	Pump, Chemical (Optional)
R1	56397029	1	Potentiometer, 5K Ohm, Throttle
R2	56396197	1	Potentiometer, 100K Ohm, Speed Limit
S1	NA	1	Part of M7
S2	NA	1	Part of M8
S3	56303553	1	Switch, Key
*	56303526	A/R	Set of 2 Replacement Keys
S4	56315096	1	Switch, Float
S5	56315096	1	Switch, Float (Optional / Recycle Start)
S6	56315096	1	Switch, Float (Optional / Recycle Stop)
*#	56315204	1	Charger, Onboard 36V (Advance Onboard Charger Models Only) NOTE 1 / TSBUS2006-931 / TSBUS2007-979
*	56315340	1	Chemical Ratio Sensor (Chemical Models Only)
*	56316100	1	Harness, Main
*	56416445	3	Cable Assy 4 AWG (Battery Cables)
*	56456460	2	Cable Assy 4 x 12 (Battery Cables)
*	56372673	12	Boot, Battery Post
*	56478523	2	Tie, Cable
*	56478246	9	Tie, Cable
*	56314119	2	Spacer. Battery

* = Not Shown

= Revised or new since last update

NOTE 1: Starting with Charger serial # CP360614027995 the charger software can be programmed with a computer and the QuiQ Programmer kit 56315732.

OPTIONAL KIT & ACCESSORIES

06-3

24

Adhancer™ / BA 855 TRIO EDS™

08-4

Ref. No.	Qty	Description
Options		
**	56315312	A/R Squeegee Wand Kit
**	56315681	A/R Kit, Electromagnetic Brake
**	56315597	A/R Kit, Sound Reduction
**	56314981	A/R Battery Watering Kit
**#	56315732	A/R QuiQ Programmer Kit NOTE 3 / TSBUS2007-979
**	9096219000	2 Wheel, Polyurethane - Traction
**	56315669	A/R Kit, 28" Disk Deck Assy
**	56315670	A/R Kit, 32" Disk Deck Assy
**	56315671	A/R Kit, 28" Cyl Deck Assy
**	56315672	A/R Kit, 32" Cyl Deck Assy
"D" Squeegee Blade Kits for 56315632		
**	56315674	1 Kit, Gum Rubber Squeegee Blade "D" NOTE 1
**	56314865	1 Kit, Linatex Squeegee Blade "D" NOTE 1
**	56314843	1 Kit, Neoprene Squeegee Blade "D" NOTE 1
"C" Squeegee Blade Kits for 56315290		
**#	56315348	1 Kit, Gum Rubber Squeegee Blade "C" NOTE 1
**#	56315352	1 Kit, Linatex Squeegee Blade "C" NOTE 1
**#	56314062	1 Kit, Neoprene Squeegee Blade "C" NOTE 1
"B" Squeegee Blade Kits for 56315291		
**#	56315347	1 Kit, Gum Rubber Squeegee Blade "B" NOTE 1
**#	56315351	1 Kit, Linatex Squeegee Blade "B" NOTE 1
**	56314305	1 Kit, Neoprene Squeegee Blade "B" NOTE 1
Accessories		
**	56315316	A/R Tote Bag
**	56397453	6 Indicator, Battery Level (1 per battery)
**	56409441	A/R Programmer, 1307 User
**	56409823	A/R Programmer Cable
Optional Batteries		
**	56391391	6 Battery, 6v 305 A/H Wet
**	56206987	6 Battery, 6v 180A/H Gel
**#	56315959	6 Battery, 6v 315 A/H AGM
**#	56315772	6 Battery, 6v 255 A/H Sealed
Optional Battery Chargers		
**	56388120	1 Charger, 36vdc Auto 36 Amp 120vac/60hz
**	56372190	1 Charger, 36vdc 20 Amp 230vac/50hz
**	56388119	1 Charger, 36vdc 36 Amp 230vac/50hz
Replacement Brushes (use only these)		
	56316050	2 Adhancer Brushes for 28"
	56316051	2 Adhancer Brushes for 32"

** = Optional, Not Included
 # = Revised or new since last update

NOTE 1: All squeegee blade kits include both front and rear squeegee blades.
NOTE 2: Replacement parts for the kits listed above can be found on each kit's associated instruction sheet.
NOTE 3: Starting with Charger serial # CP360614027995 the charger software can be programmed with a computer and the QuiQ Programmer kit 56315732.

