



## **Electronic Service Manuals**

This electronic document is provided as a service to our customers. We do not create the contents of the information contained in this document. Should you have detailed questions pertaining to the information contained in this document, you may contact Michco, or the manufacturer which provided the original information in this electronic deliverable. Michco's only part in this electronic deliverable was the electronic assembly process. By providing this manual online we are not guaranteeing parts availability.

You may contact Michco through the following methods:

**Phone (517) 484-9312**

2011 N. High St. -- Lansing, Michigan -- 48906

Fax: (517) 484-9836

Email: [CustomerService@Michco.com](mailto:CustomerService@Michco.com)

Website: [www.Michco.Com](http://www.Michco.Com)

Order Parts online at:

**[www.Michco.Com](http://www.Michco.Com)**

Directly to Parts & Service:

By Email: **[CustomerService@Michco.com](mailto:CustomerService@Michco.com)**

By Fax: (517) 484-9836

By Voice: (517) 484-9312

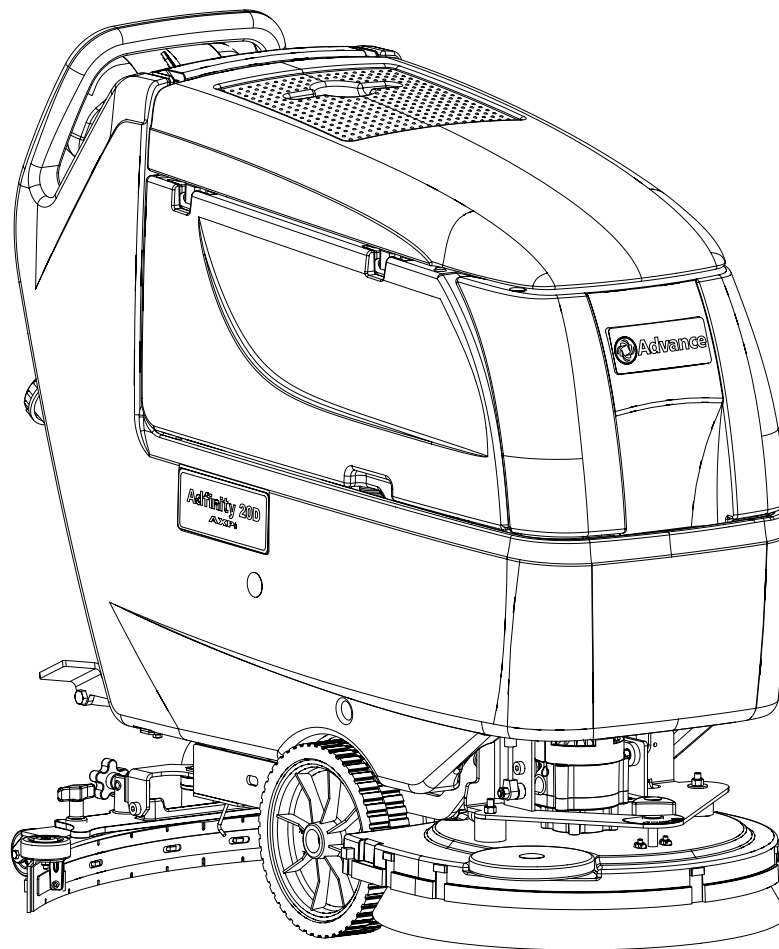
**Serving the Cleaning Industry Since 1922**

Notice: All copyrighted material remains property of original owners, all trademarks are property of respective owners. Manuals are subject to Manufacturer's reproduction limitations. Originals or reproductions were provided by manufacturers through a request. We make no warranty as to the correctness of information provided in this document and you assume all risk. By placing these manuals on line we are not declaring our corporation to be an manufacturer authorized dealer or provider, please check our web site for authorized manufacturers we represent.

# Adfinity™

## 20D / X20D / X20C / X24D

AXP 



### PARTS LIST

Advance models: 908 7163 020  
908 7164 020  
908 7165 020  
908 7166 020

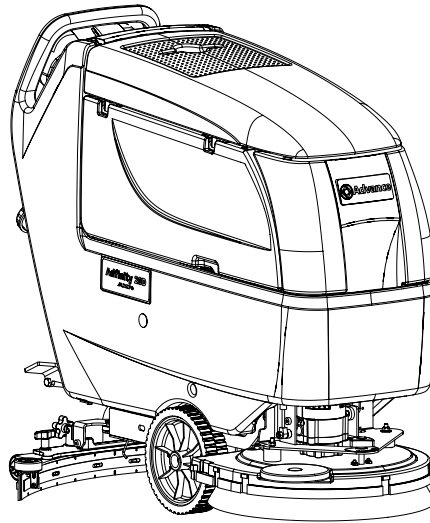


# Advance

by Nilfisk-Advance

9096911000(1)2007-01





## DESCRIPTION

## PLAN

GENERAL VIEW	2 - 3
SOLUTION TANK	4 - 5
RECOVERY TANK	6 - 7
CHASSIS SYSTEM	8 - 9
WHEELS AND TRACTION	10 - 11
HANDLE ASSEMBLY	12 - 13
SOLUTION SYSTEM	14 - 15
AXP - ECO DOSAGE SOLUTION	16 - 17
SQUEEGEE SYSTEM ADFINITY™ 20D / X20D / X20C	18 - 19
SQUEEGEE SYSTEM ADFINITY™ X24D	20 - 21
BRUSH SYSTEM ADFINITY™ 20D / X20D	22 - 23
SPLASH GUARD	24 - 25
BRUSH SYSTEM ADFINITY™ X20C	26 - 27
BRUSH SYSTEM ADFINITY™ X24D	28 - 29
ACCESSORIES	30 - 31
CONTROL PANEL SYSTEM	32 - 33
ELECTRICAL COMPONENTS	34 - 35
WIRING DIAGRAM	36
RECOMMENDED SPARE PARTS	37 - 40
OPTIONALS	41

### WHEN ORDERING PARTS

- \* Use the 8, 9 or 10 digit numbers from the "Ref. No." columns in this parts list.
- \* Specify the model and serial number of the machine.
- \* Use the space below to record the model and serial number for future reference.

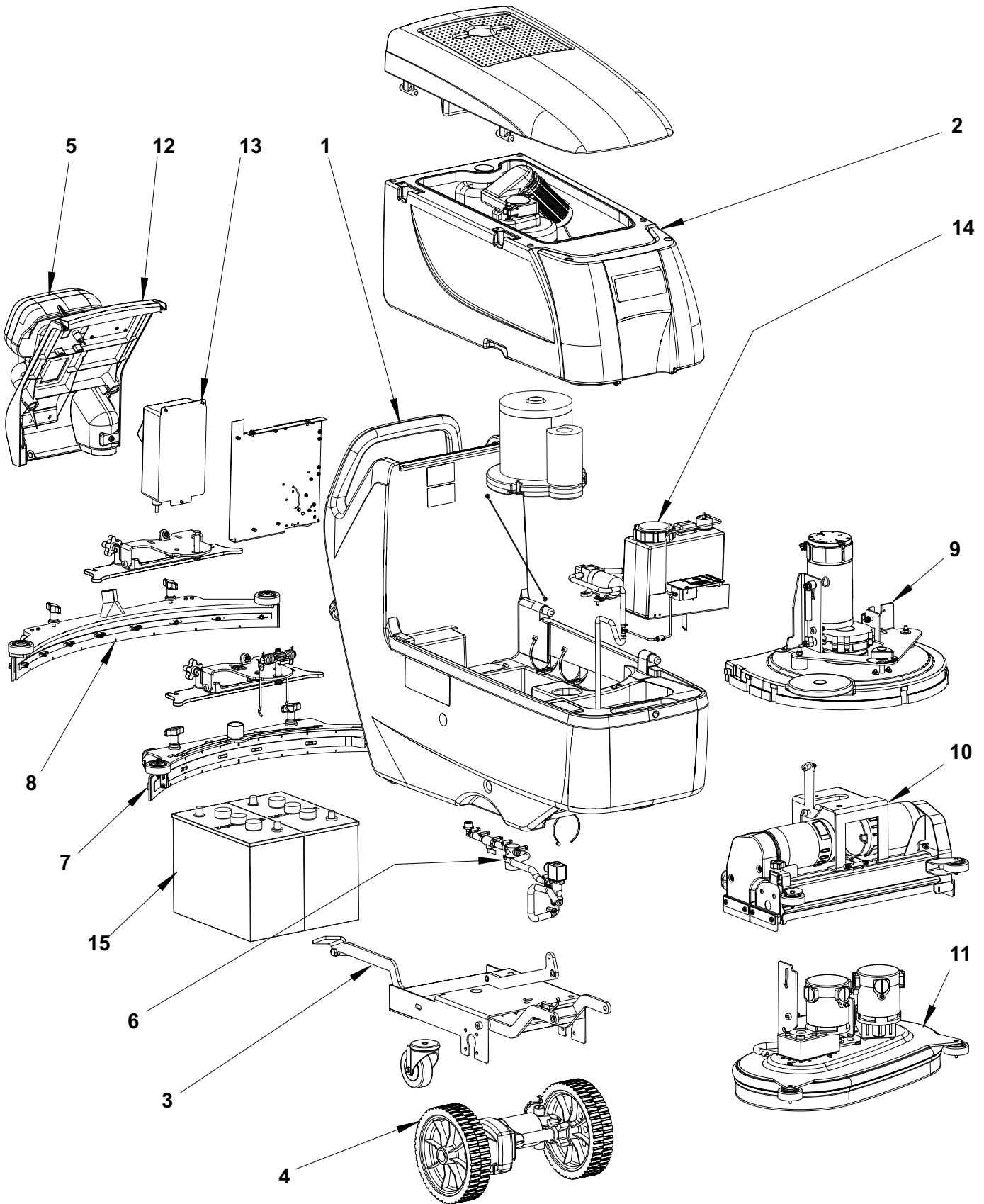
Model \_\_\_\_\_ Serial No. \_\_\_\_\_

**\* = Optional**

**# = Modified item No. or New item No.**

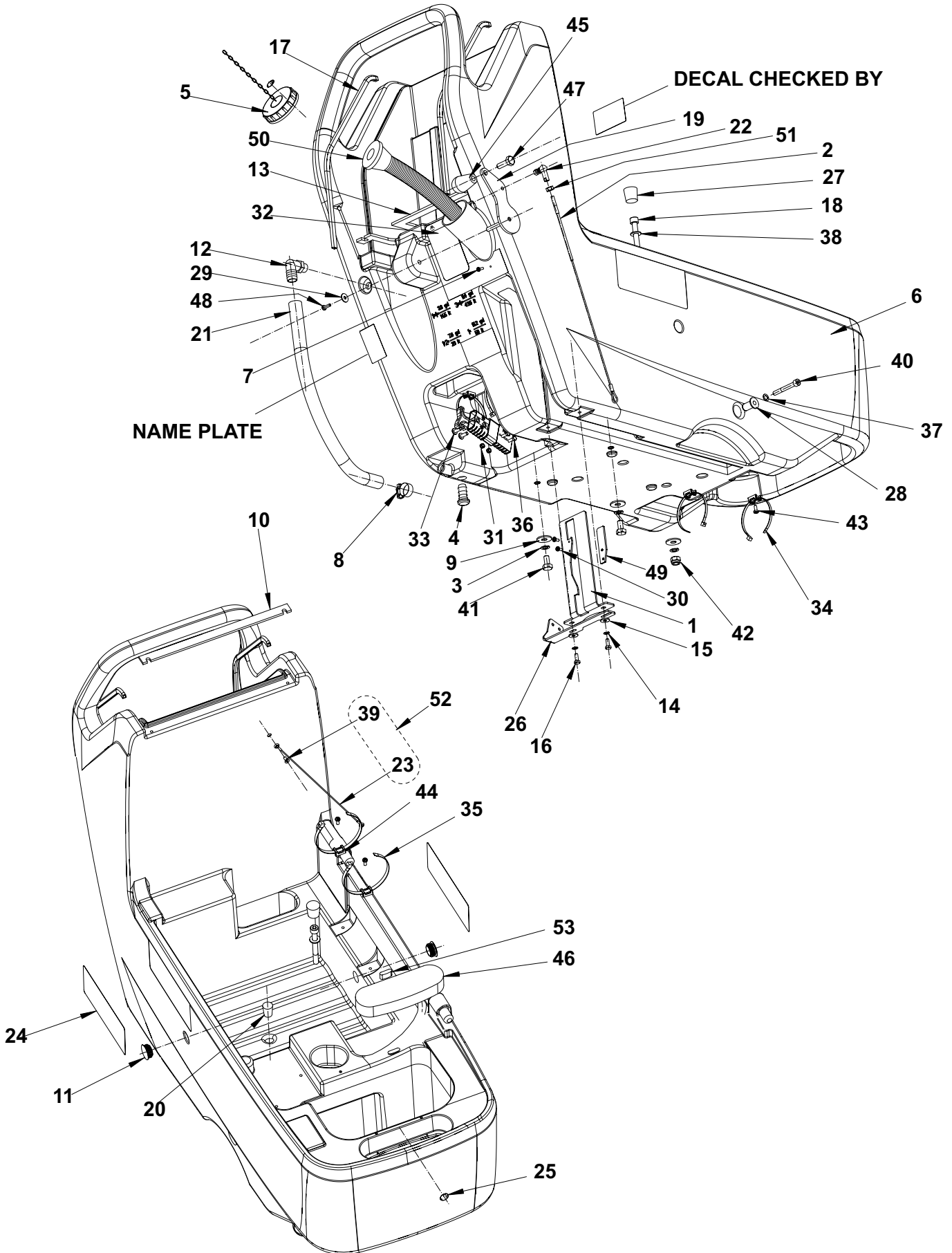
**[ ] = Not shown**

**xxxxxx = Contained in a Kit**

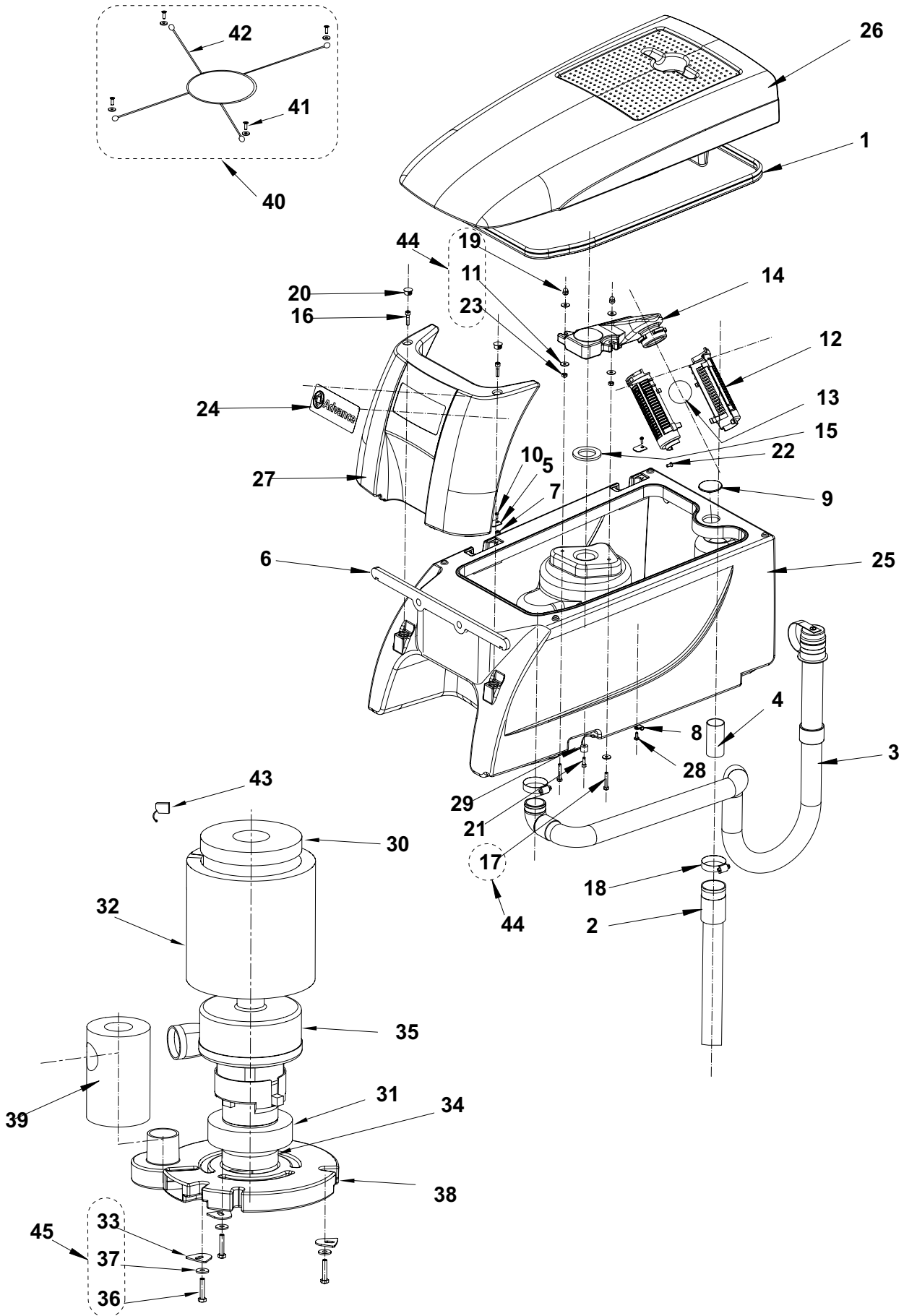


Item No.	Ref. No.	Qty	Description
1		1	SOLUTION TANK
2		1	RECOVERY TANK
3		1	CHASSIS SYSTEM
4		1	WHEELS AND TRACTION ADFINITY™
5		1	HANDLE ASSEMBLY
6		1	SOLUTION SYSTEM
7		1	SQUEEGEE SYSTEM ADFINITY™ 20D / X20D / X20C
8		1	SQUEEGEE SYSTEM ADFINITY™ X24D
9		1	BRUSH SYSTEM ADFINITY™ 20D / X20D
10		1	CYL. BRUSHES SYSTEM ADFINITY™ X20C
11		1	BRUSHES SYSTEM ADFINITY™ X24D
12		1	CONTROL PANEL SYSTEM
13		1	ELECTRICAL COMPONENTS
14A		1	AXP - ECO DOSAGE SYSTEM
15		1	BATTERY ASSEMBLY

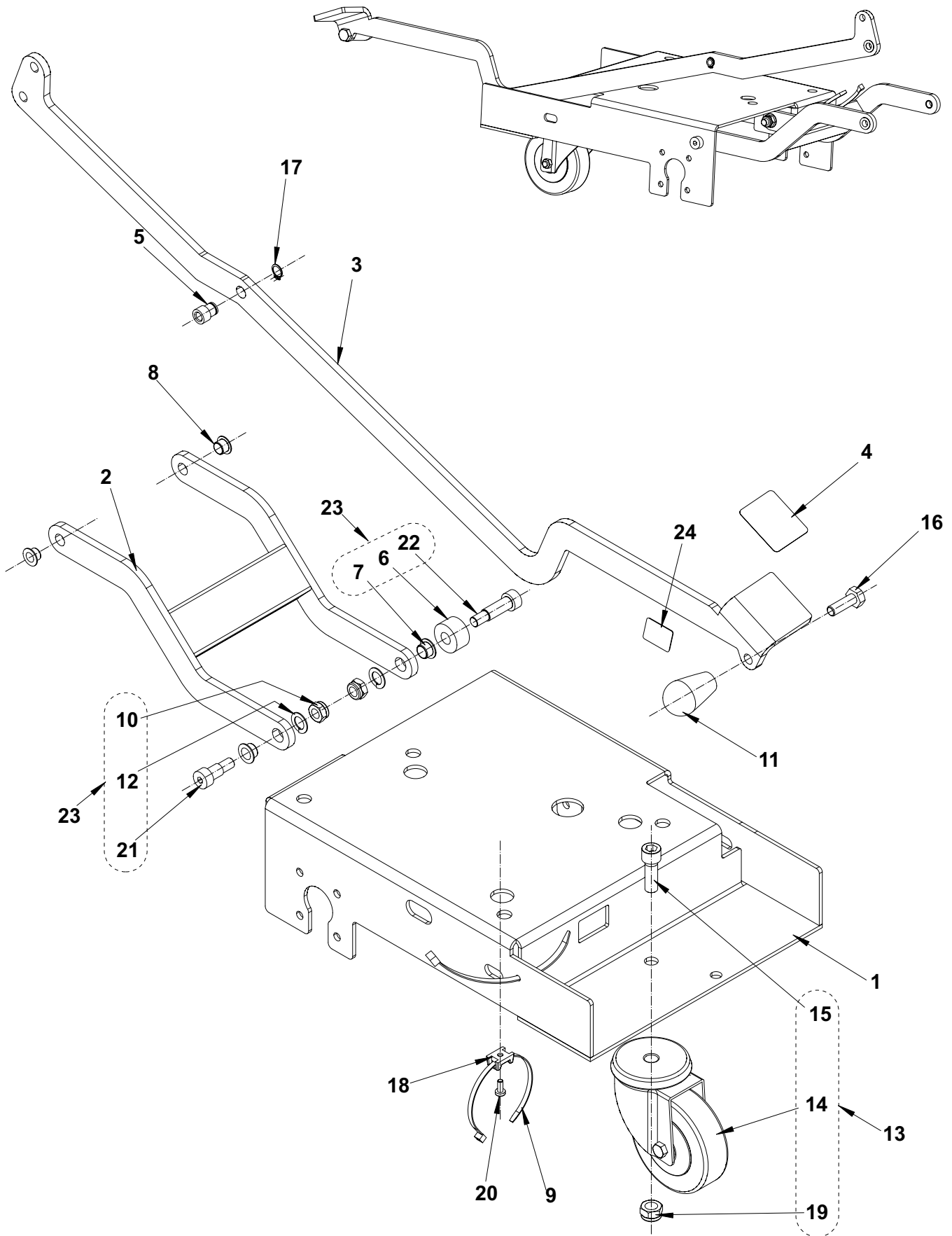
A : ONLY FOR ADFINITY™ X20D / X20C / X24D



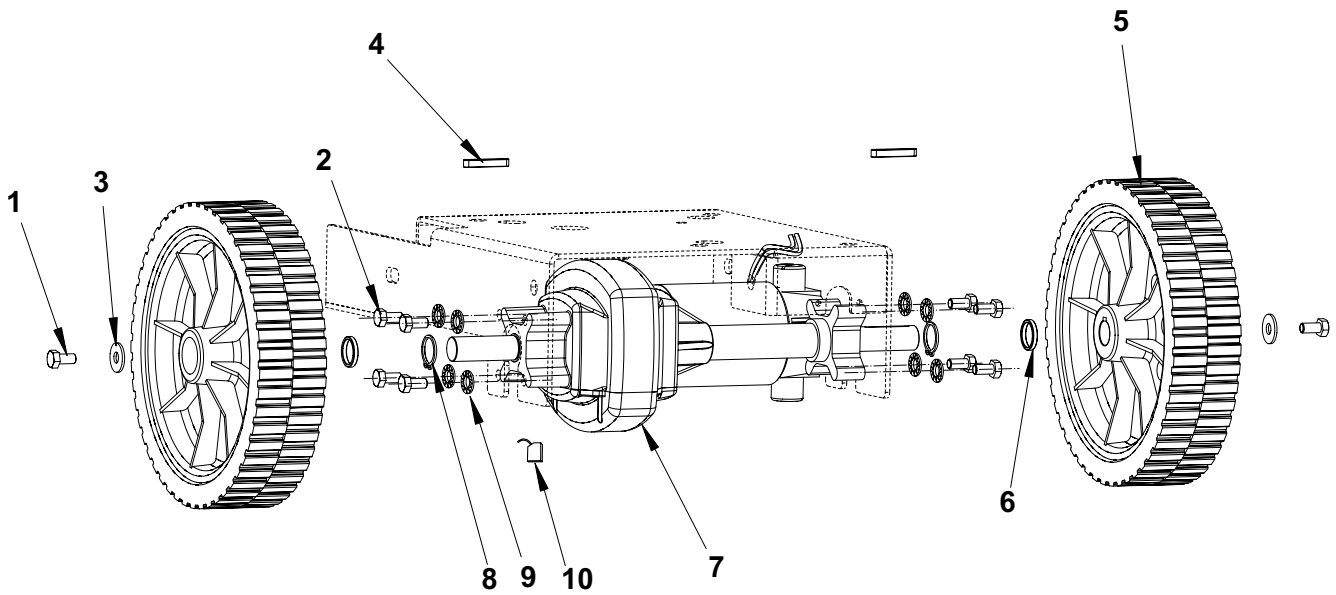
Item No.	Ref. No.	Qty	Description
1	909 6493 000	1	PEDAL SUPPORT
2	909 6534 000	1	SQUEEGEE LIFTING CABLE
3	xxxxxxx	3	WASHER (SEE HARDWARE TANK SYSTEM KIT )
4	9097003000	1	PLUG (ONLY FOR ADFINITY™ X20D - X20C - X24D)
5	909 6554 000	1	SOLUTION CAP WITH CHAIN AND GASKET
6	909 6048 000	1	SOLUTION TANK
7	xxxxxxx	1	SCREW CYL. HD 4X14 THD (SEE HARDWARE TANK SYSTEM KIT )
8	08603916	1	CLAMP
9	xxxxxxx	3	WASHER FLAT 10X30 SS (SEE HARDWARE TANK SYSTEM KIT )
10	909 6596 000	1	GASKET
11	08812457	2	TANK LOCKING CAP
12	56264442	1	FITTING PIPE
13	909 6597 000	1	GASKET
14	xxxxxxx	2	WASHER SPLIT 6 (SEE HARDWARE TANK SYSTEM KIT )
15	xxxxxxx	1	WASHER FLAT 6X18 (SEE HARDWARE TANK SYSTEM KIT )
16	xxxxxxx	2	SCREW HEX. HD M6X16 (SEE HARDWARE TANK SYSTEM KIT )
17	909 6892 000	2	GASKET
18	xxx xxxx xxx	1	SCREW M10X90 (SEE HARDWARE TANK SYSTEM KIT )
19	909 6633 000	1	SQUEEGEE LIFTING LEVER
20	909 6236 000	1	BLACK CAP
21	909 6521 000	1	SOLUTION HOSE
22	145 8479 000	1	DOWEL M6
23	xxx xxxx xxx	1	CABLE TANK BLOCK (SEE CABLE TANK KIT)
24	909 6866 000	2	DECAL ADFINITY™ 20D
24	909 6867 000	2	DECAL ADFINITY™ X20D
24	909 6868 000	2	DECAL ADFINITY™ X20C
24	909 6869 000	2	DECAL ADFINITY™ X24D
25	08603795	2	DECAL WATER FAUCET
26	909 6649 000	1	BRACKET CONNECTOR SUPPORT
27	909 6673 000	1	CAP
28	xxx xxxx xxx	1	BUSHING (SEE HARDWARE TANK SYSTEM KIT )
29	xxxxxxx	3	WASHER FLAT 6X18 (SEE HARDWARE TANK SYSTEM KIT )
30	08603684	2	SCREW TCTC M4x10 SS
31	xxxxxxx	2	NUT HEX SELF LOCK M5 (SEE HARDWARE TANK SYSTEM KIT )
32	08603805	1	DECAL WARNING
33	xxxxxxx	2	SCREW CYL. HD 6X16 (SEE HARDWARE TANK SYSTEM KIT )
34	145 0524 000	4	CLAMP
35	145 0541 000	2	CLAMP
36	33003964	2	SCREW HEX HD M5X25
37	xxxxxxx	1	WASHER SPLIT 8 (SEE HARDWARE TANK SYSTEM KIT )
38	xxxxxxx	1	WASHER FLAT (SEE HARDWARE TANK SYSTEM KIT )
39	xxxxxxx	1	SCREW HEX HD 5X12 (SEE CABLE TANK KIT)
40	xxxxxxx	1	SCREW M8X60 (SEE HARDWARE TANK SYSTEM KIT )
41	xxx xxxx xxx	2	SCREW HEX HD M10X20 SS (SEE HARDWARE TANK SYSTEM KIT )
42	xxx xxxx xxx	1	NUT HEX HIGH SELF LOCK M10 (SEE HARDWARE TANK SYSTEM KIT )
43	909 6337 000	6	SCREW CYL HD M5X12
44	909 6595 000	6	FLAT TIE HOLDER
45	909 6621 000	1	KNOB
46	909 6671 000	1	SPONGE FRESH WATER INLET
47	33004010	1	SCREW HEX HD M10X30
48	xxx xxxx xxx	1	SCREW CYL HD M5X16 (SEE HARDWARE TANK SYSTEM KIT )
49	9096999000	1	PLATE
50*	909 5327 000	1	FILLING HOSE
51	33005502	1	NUT HEX M6
52	909 6874 000	1	CABLE TANK KIT (23,39)
[53]	909 6875 000	1	HARDWARE TANK SYSTEM KIT (3,7,9,14,15,16,18,28,29,31,33,37,38,40,41,42,48)



Item No.	Ref. No.	Qty	Description
1	146 0741 000	1	COVER TANK GASKET
2	909 6230 000	1	HOSE SQUEEGEE VACUUM
3	909 6528 000	1	DRAIN HOSE
4	909 6640 000	1	ANTI SPLASH SQUEEGEE HOSE
5	909 6643 000	2	PLATE TANK COVER
6	9097044000	1	GASKET, PANEL RECOVERY TANK
7	909 6679 000	1	BUSHING
8	08239900	1	CLAMP
9	909 6899 000	1	CAP FOR TANK COVER
10	08812804	2	SCREW CYL HD THD FORM 3,9X12 SS
11	xxxxxxx	6	WASHER FLAT 6X18 SS (SEE HARDWARE TANK SYSTEM KIT)
12	56324497	2	CAGE, FLOAT COMPLETE
13	56391690	1	FLOATING BALL
14	08812926	1	SUPPORT, FLAT CAGE
15	08812968	1	GASKET
16	33004347	2	SCREW M6X25
17	xxx xxxx xxx	2	SCREW HEX HD M6X40 SS (SEE HARDWARE TANK SYSTEM KIT)
18	145 0543 000	2	CLAMP
19	xxx xxxx xxx	2	BLIND NUT M6 SS (SEE HARDWARE TANK SYSTEM KIT)
20	145 8008 000	2	CAP Ø. 18.2
21	33004328	1	SCREW M5X16
22	33005124	1	SCREW HEX HD 5X12
23	xxx xxxx xxx	2	NUT HEX M6 SS (SEE HARDWARE TANK SYSTEM KIT)
24	909 6872 000	1	RECTANGULAR ADVANCE DECAL
25	909 6049 000	1	RECOVERY TANK 55L
26	909 6050 000	1	TANK COVER 55L
27	909 6224 000	1	PANEL RECOVERY TANK
28	909 6337 000	1	SCREW CYL HD M5X12
29	909 6664 000	1	SPACER D 5,5X15X12
30	909 6489 000	1	GASKET VACUUM MOTOR
31	909 6490 000	1	GASKET VACUUM MOTOR
32	909 6491 000	1	ACOUSTIC INSULATION PANEL
33	xxx xxxx xxx	3	PLATE VACUUM COVER (SEE HARDWARE MOTOR FIXING KIT)
34	909 6672 000	1	FILTER
35	909 6802 000	1	MOTOR VACUUM W/CONNECTOR KIT
36	xxxxxxx	3	SCREW HEX HD M6X30 (SEE HARDWARE MOTOR FIXING KIT)
37	xxxxxxx	3	WASHER FLAT 6X18 (SEE HARDWARE MOTOR FIXING KIT)
38	909 6051 000	1	VACUUM MOTOR COVER
39	909 6442 000	1	ACOUSTIC INSULATION PIPE
40*	909 6734 000	1	RUBBER BAND KIT (41,42)
41*	xxx xxxx xxx	1	RUBBER BAND (SEE RUBBER BAND KIT)
42*	xxxxxxx	4	SCREW CYL. HD 4X14 THD (SEE RUBBER BAND KIT)
43	909 5371 000	2	CARBON BRUSH
44	909 6876 000	1	HARDWARE TANK SYSTEM KIT(11,17,19,23)
45	909 6877 000	1	HARDWARE MOTOR FIXING KIT(33,36,37)



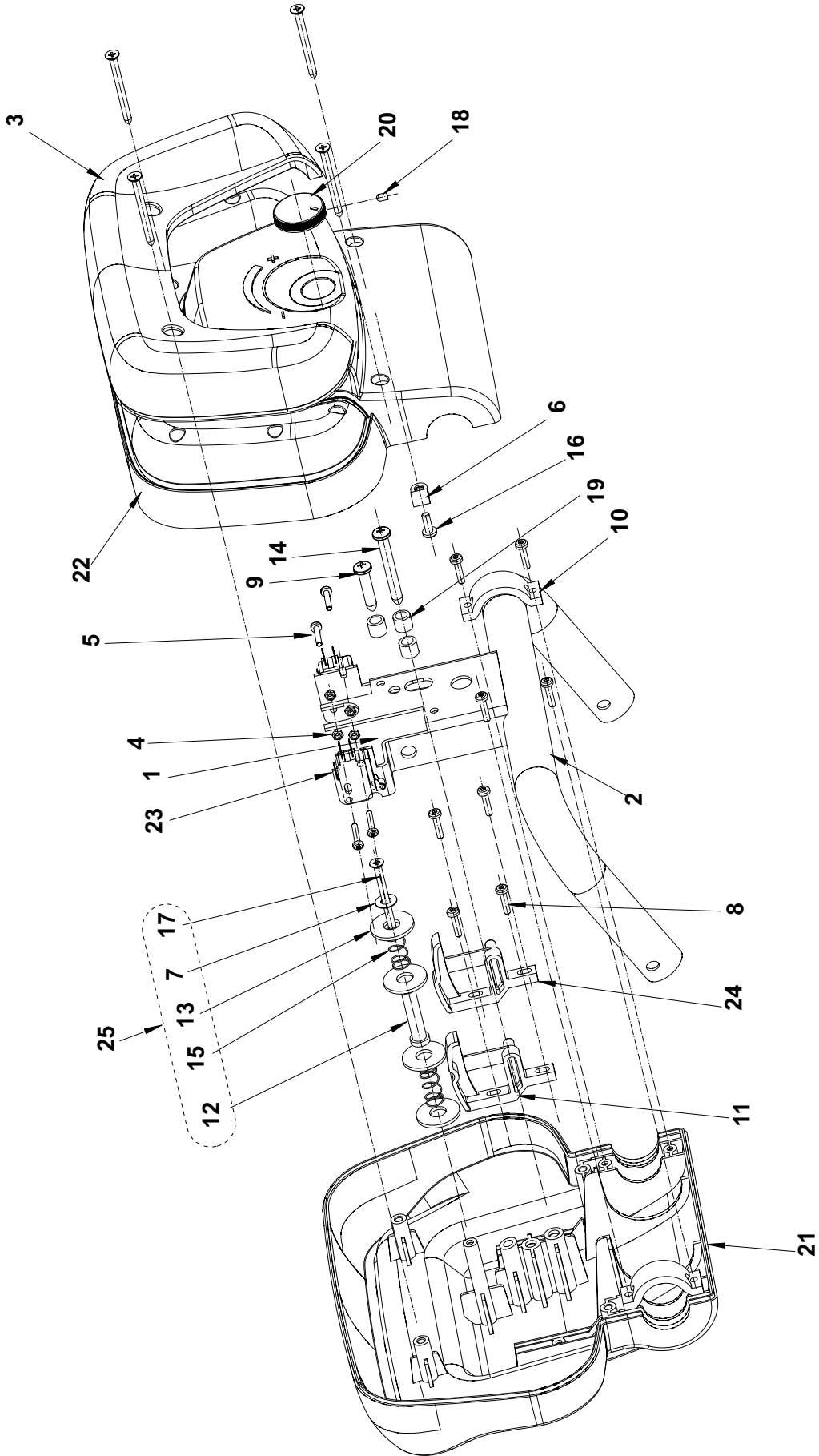
Item No.	Ref. No.	Qty	Description
1	909 6481 000	1	CHASSIS 55 LT
2	909 6486 000	1	LEVER DECK LIFTING
3	909 6487 000	1	PEDAL BRUSH LIFTING
4	909 6539 000	1	ANTISKID MAT
5	909 6540 000	1	BUSH FLANGED
6	xxx xxxx xxx	1	SPACER D 12,2X30X16,5 (SEE HARDWARE CHASSIS FIXING KIT)
7	xxx xxxx xxx	2	BUSH FLANGED (SEE HARDWARE CHASSIS FIXING KIT)
8	909 6594 000	2	BUSH FLANGED
9	145 0524 000	2	PASSRING
10	xxxxxxx	2	NUT (SEE HARDWARE CHASSIS FIXING KIT)
11	909 6621 000	1	KNOB
12	xxxxxxx	2	WASHER (SEE HARDWARE CHASSIS FIXING KIT)
13	909 6879 000	1	WHEEL REAR CASTOR SS KIT (14,15,19)
14	xxx xxxx xxx	1	WHEEL CASTOR (SEE CASTOR WHEEL SS KIT)
<b>14*</b>	<b>909 6900 000</b>	<b>1</b>	<b>WHEEL CASTOR SS</b>
15	xxx xxxx xxx	1	SCREW M12X35 (SEE CASTOR WHEEL SS KIT)
16	33004010	1	SCREW HEX HD M10X30
17	33006051	1	RETAINING RING
18	909 6595 000	2	FLAT TIE HOLDER
19	xxx xxxx xxx	1	NUT HEX LOW SELF LOCK M12 (SEE CASTOR WHEEL SS KIT)
20	909 6337 000	2	SCREW CYL HD M5X12
21	xxx xxxx xxx	1	SHOULDER BOLT M12X16 (SEE HARDWARE CHASSIS FIXING KIT)
22	xxx xxxx xxx	1	SHOULDER BOLT M12X30 (SEE HARDWARE CHASSIS FIXING KIT)
23	909 6878 000	1	HARDWARE CHASSIS FIXING KIT (6,7,10,12,21,22)
24	909 6742 000	1	DECAL EXTRA PRESSURE



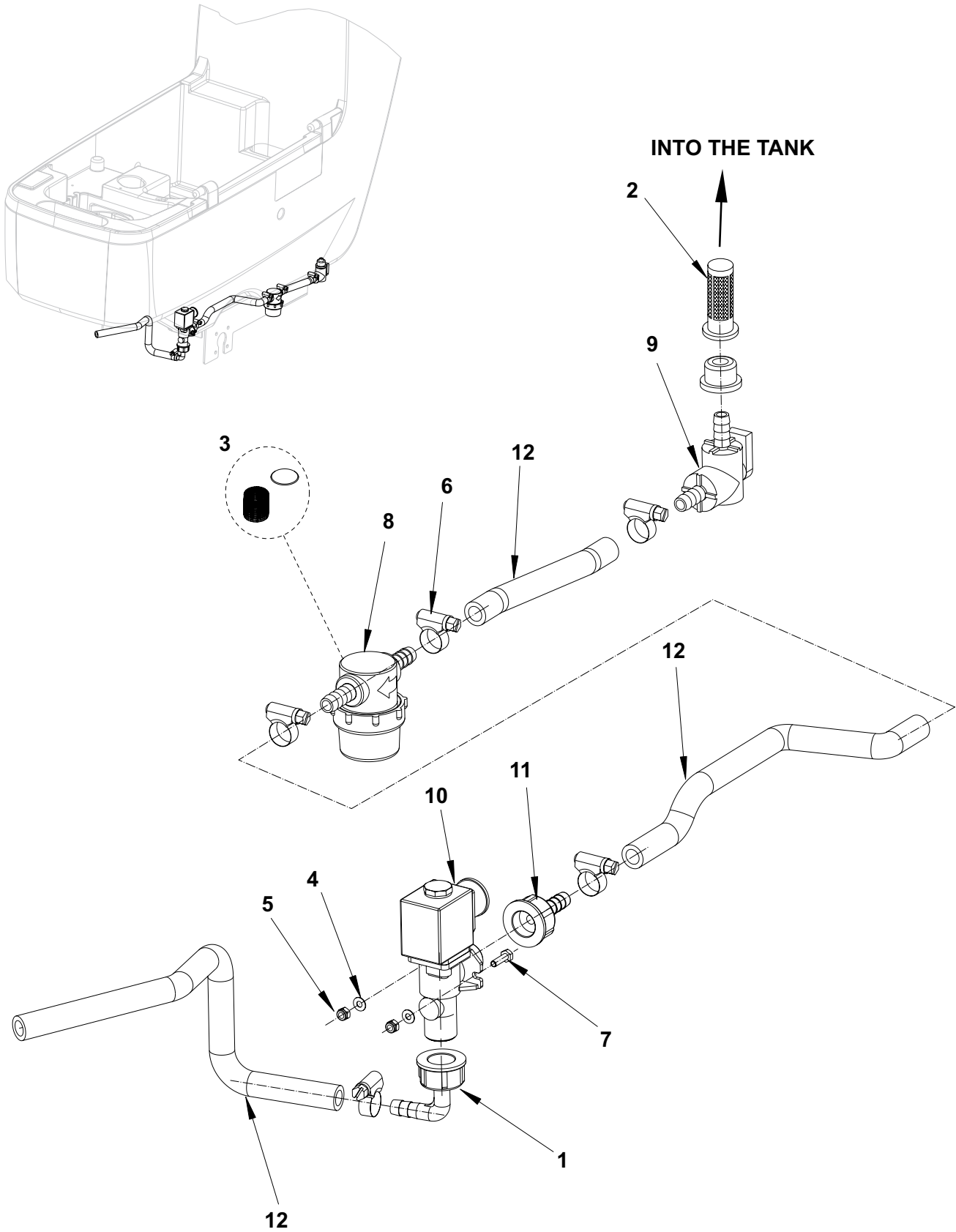
Item No.	Ref. No.	Qty	Description
1	56325600	2	SCREW HEX HD M8X16
2	33003993	8	SCREW HEX HD M8X16
3	56325609	2	WASHER FLAT 8X24
4	146 0769 000	2	KEY
5	909 6863 000	2	WHEEL DRIVE DIAM 250 MM
6	909 6506 000	2	SPACER 20,5X25X5
7	909 6548 000	1	MOTOR DRIVE 24V 200W
8	33006059	2	SEEGER
9	145 9126 000	8	WASHER M8
10	145 5124 000	2	CARBON BRUSH

12

Adfinity™ 20D / X20D / X20C / X24D



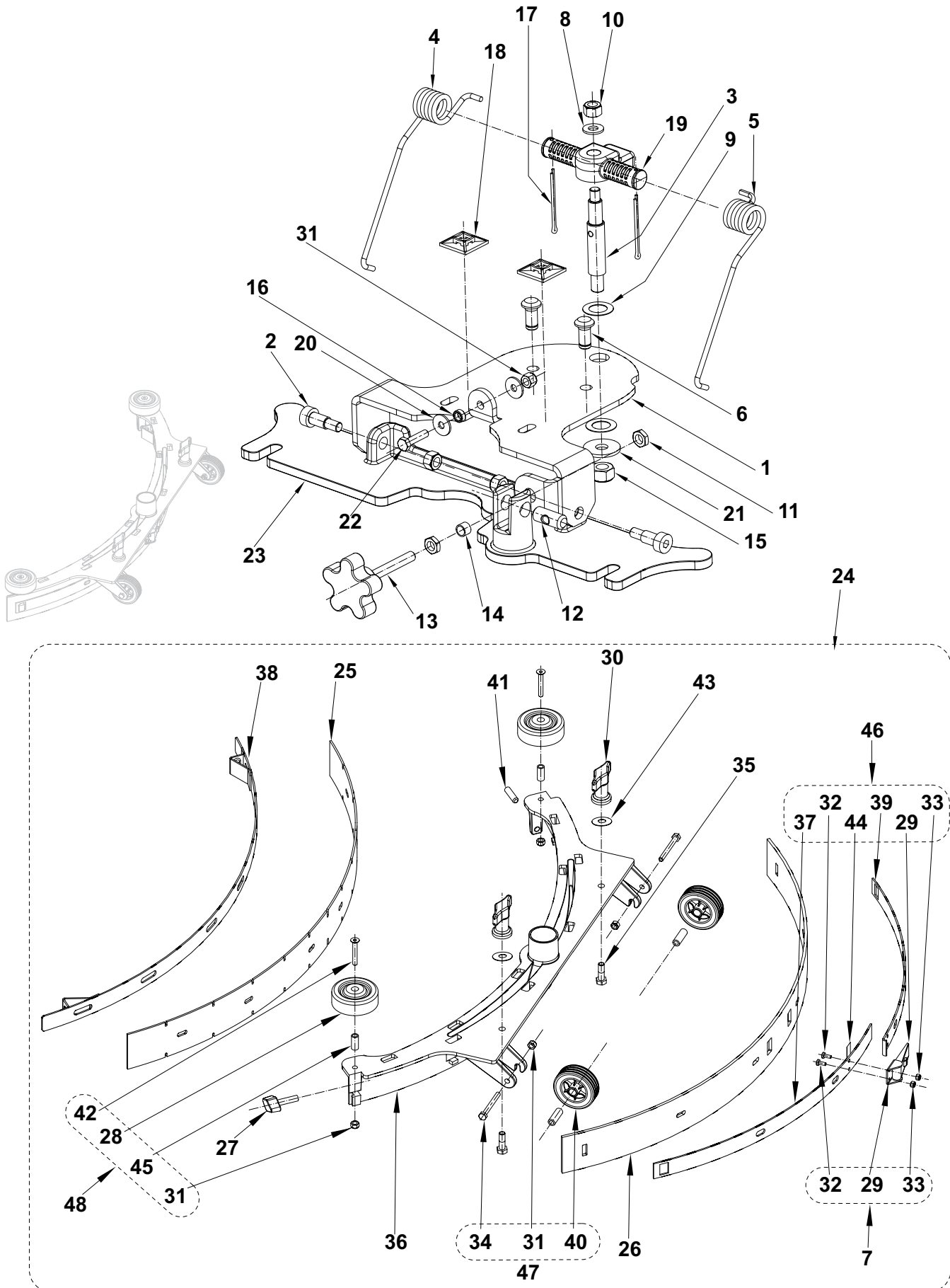
Item No.	Ref. No.	Qty	Description
1	9096907000	1	HANDLE HARNESS
2	909 6059 000	1	HANDLE BAR
3	909 6239 000	1	RUBBER COVER
4	33005499	4	NUT HEX M3
5	08093600	4	SCREW CYL HD 3X16
6	08239900	1	CLAMP
7	xxxxxxx	1	WASHER FLAT 6X12,5 (SEE HARDWARE HANDLE FIXING KIT)
8	56325661	8	SCREW CYL HD THD FORM 3,6X16
9	56340224	1	SCREW M6.3X25 SS
10	56325662	2	CLAMP
11	56325664	1	CAM HANDLE MICROSWITCH
12	xxxxxxx	1	SPACER (SEE HARDWARE HANDLE FIXING KIT)
13	xxxxxxx	4	WASHER FLAT NYLON 9X25 (SEE HARDWARE HANDLE FIXING KIT)
14	56325660	1	SCREW 6X50 THD FORM
15	xxxxxxx	2	DRIVE CONTROL SPRING (SEE HARDWARE HANDLE FIXING KIT)
16	56325528	1	SCREW 4,2X12 THD FORMING
17	xxxxxxx	5	SCREW 4,2X50 THD FORM (SEE HARDWARE HANDLE FIXING KIT)
18	146 0621 000	1	DOWEL
19	145 1330 000	3	SPACER
20	909 6471 000	1	POTENTIOMETER KNOB
21	909 6237 000	1	SWITCH HOUSING REAR
22	909 6238 000	1	SWITCH HOUSING FRONT
23	909 6677 000	2	MICROSWITCH
24	9096923000	1	CAM HANDLE MICROSWITCH
25	909 6881 000	1	HARDWARE HANDLE FIXING KIT (7,12,13,15,17)
[26]	909 6544 000	1	SPEED POTENTIOMETER



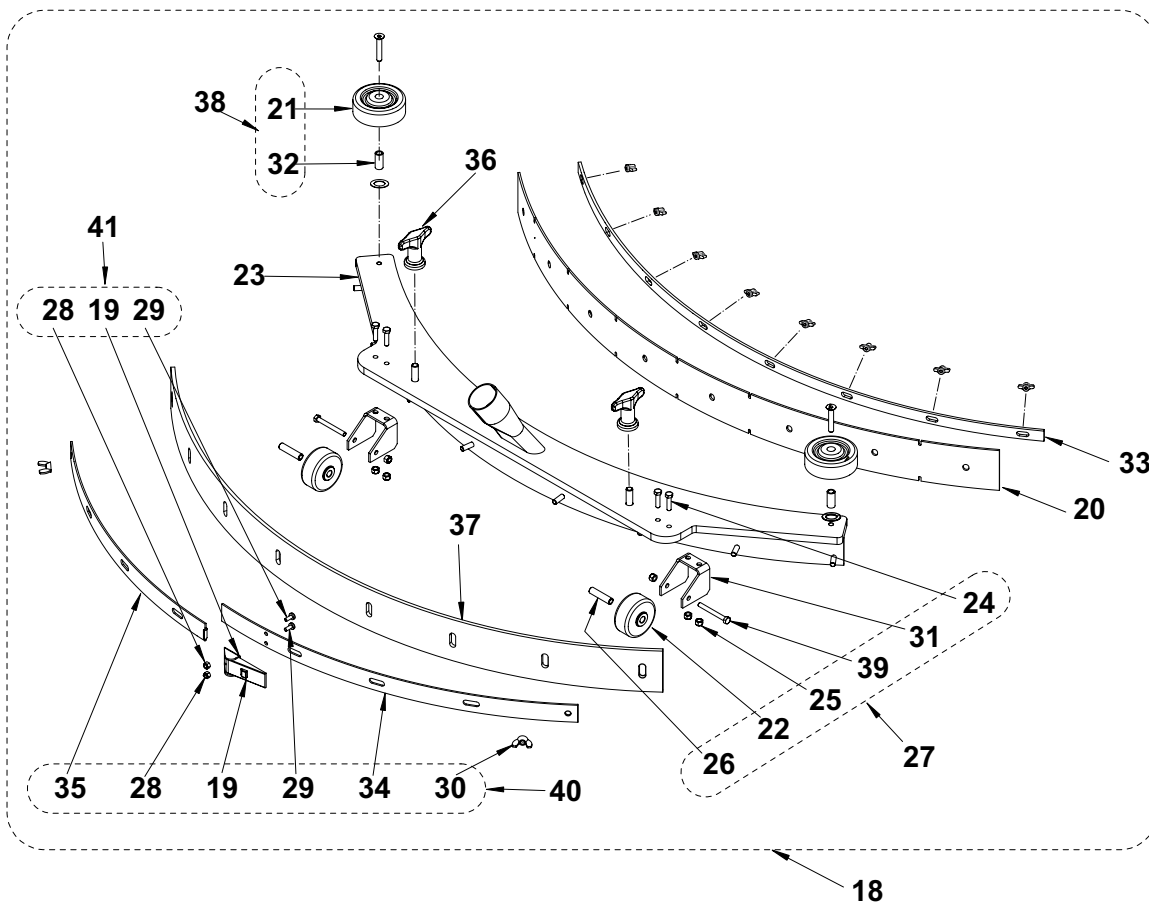
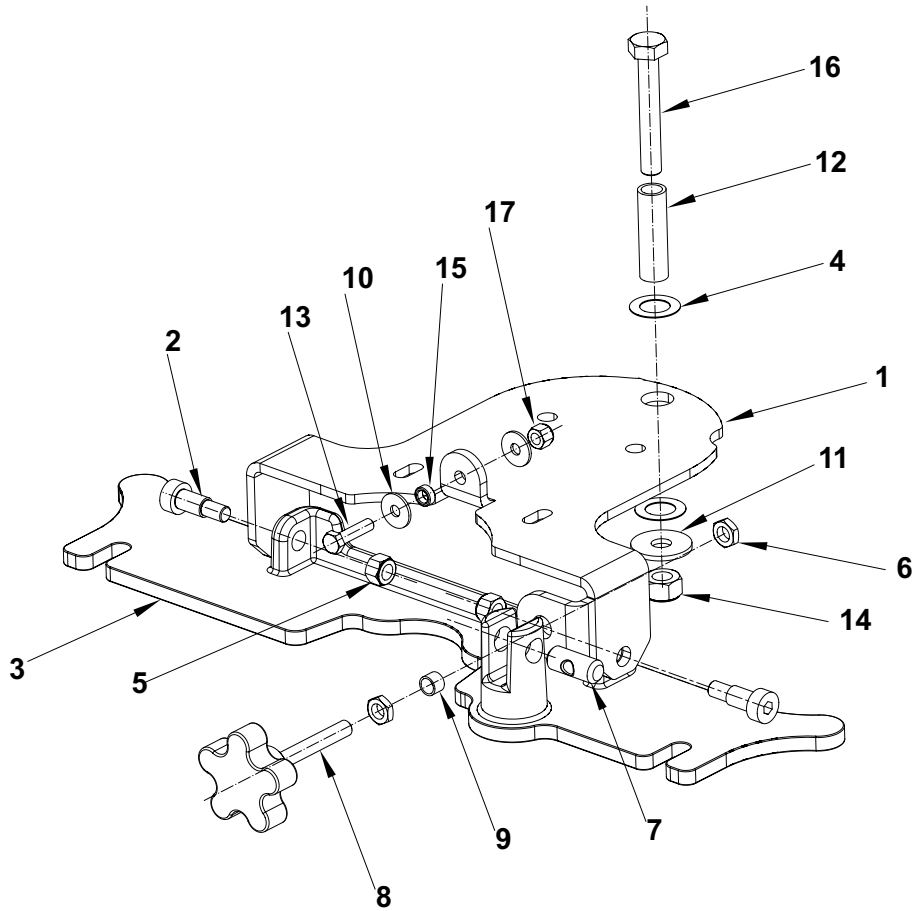
Item No.	Ref. No.	Qty	Description
1	909 6637 000	1	HOLDER RUBBER 90°
2*	9096916000	1	FILTER, SOLUTION TANK
3	08603893	1	NET FILTER WITH GASKET KIT
4	56325716	2	WASHER FLAT 4X9 SS
5	08603685	2	NUT HEX SELF LOCK M4 SS
6	145 8582 000	5	CLAMP
7	146 0497 000	2	SCREW HEX HD M4X14 SS
8	909 5151 000	1	FILTER COMPLETE KIT
9	9096994000	1	VALVE ELBOW
10	909 6555 000	1	SOLENOID VALVE 24V
11	909 6636 000	1	ELBOW T REDUCING
12	9096996000	1	PIPES SOLENOID VALVE KIT



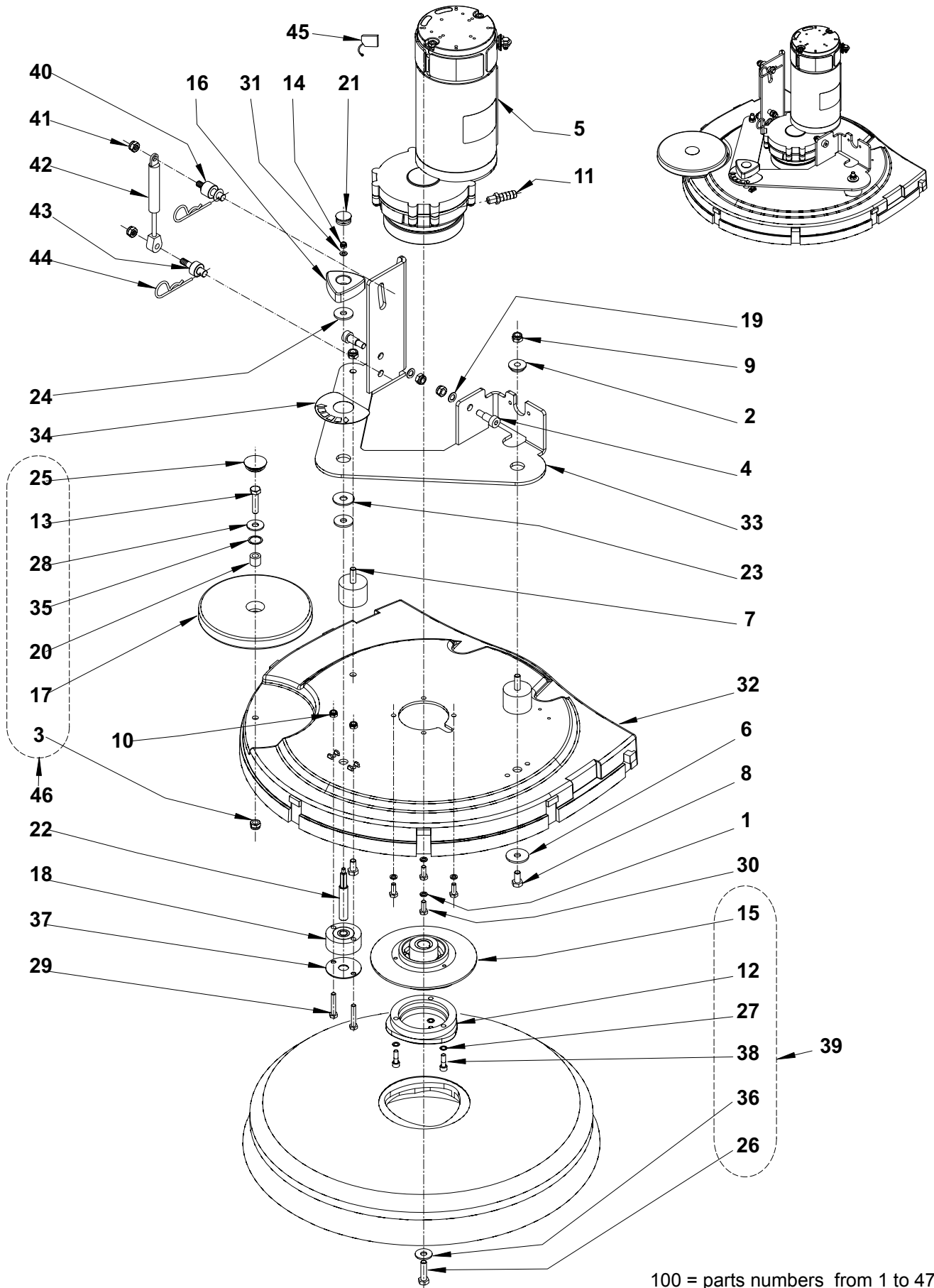
Item No.	Ref. No.	Qty	Description
1	909 6744 000	1	AXP - ECO DOSAGE SOLUTION KIT
2	xxx xxxx xxx	1	HOSE L=150 (SEE HOSE AXP KIT)
3	xxx xxxx xxx	1	HOSE L=330 (SEE HOSE AXP KIT)
4	xxx xxxx xxx	1	HOSE L=80 (SEE HOSE AXP KIT)
5	xxx xxxx xxx	1	HOSE L=300 (SEE HOSE AXP KIT)
6	xxx xxxx xxx	1	HOSE L=80 (SEE HOSE AXP KIT)
7	xxx xxxx xxx	1	HOSE L=500 (SEE HOSE AXP KIT)
8	xxx xxxx xxx	1	HOSE L=660 (SEE HOSE AXP KIT)
9	xxxxxxxx	5	SCREW 3.5X10 THD (SEE AXP - ECO DOSAGE SOLUTION KIT)
10	xxx xxxx xxx	1	BRACKET CHEMICAL MIXING
11	xxxxxxxx	5	CLAMP (SEE AXP - ECO DOSAGE SOLUTION KIT)
12	56315108	1	PUMP 24V
13	56315502	1	TANK CHEMICAL
14	56315517	1	CAP INLET
15	56315522	1	VALVE NON RETURN
16	56315523	1	CAP
17	56315527	1	INSERT
18	xxx xxxx xxx	9	WASHER FLAT 4X9 SS
19	xxx xxxx xxx	2	CLAMP
20	xxx xxxx xxx	2	WASHER (SEE AXP - ECO DOSAGE SOLUTION KIT)
21	xxxxxxxx	2	SCREW HEX. HD M5X20 (SEE AXP - ECO DOSAGE SOLUTION KIT)
22	909 5151 000	1	FILTER COMPLETE KIT
23	909 6183 000	1	PUMP CHEMICAL MIX
24	xxx xxxx xxx	6	CLAMP (SEE AXP - ECO DOSAGE SOLUTION KIT)
25	909 6536 000	1	FITTING
26	xxx xxxx xxx	1	CHEMICAL REGULATION ADHESIVE (SEE AXP - ECO DOSAGE SOLUTION KIT)
27	909 6637 000	1	HOLDER RUBBER
28	08603893	1	KIT NET FILTER WITH GASKET
29	08603685	2	NUT HEX SELF LOCK M4 SS
30	9096996000	1	PIPES SOLENOID VALVE KIT ( PAGE 15, 12)
[31]	xxx xxxx xxx	1	AXP HARNESS (SEE AXP - ECO DOSAGE SOLUTION KIT)
[32]	xxx xxxx xxx	1	FLAT TIE HOLDER (SEE AXP - ECO DOSAGE SOLUTION KIT)
[33]	xxx xxxx xxx	8	CLAMP (SEE AXP - ECO DOSAGE SOLUTION KIT)
[34]	xxx xxxx xxx	1	SCREW M5X12 (SEE AXP - ECO DOSAGE SOLUTION KIT)
[35]	xxxxxxxx	1	CLAMP (SEE AXP - ECO DOSAGE SOLUTION KIT)
[36]	xxx xxxx xxx	1	AXP HARNESS (SEE AXP - ECO DOSAGE SOLUTION KIT)
[37]	909 6807 000	1	PIPES CHEMICAL MIX KIT (2,3,4,5,6,7,8)
[38]	909 6747 000	1	INSTALLATION INSTRUCTIONS FOR AXP KIT (SEE AXP - ECO DOSAGE SOLUTION KIT)
39	146 0497 000	2	SCREW HEX HD M4X14 SS
40	909 6637 000	1	RUBBER HOLDER
41	909 6555 000	1	SOLENOID VALVE 24V
42	56325716	2	WASHER FLAT 4X9 SS



Item No.	Ref. No.	Qty	Description
1	909 6494 000	1	SQUEEGEE BRACKET
2	xxx xxxx xxx	2	SHOULDER BOLT M10X16 (SEE HARDWARE SQUEEGEE FIXING KIT)
3	909 6497 000	1	PIN
4	909 6537 000	1	RIGHT SPRING
5	909 6538 000	1	LEFT SPRING
6	909 6543 000	2	PIN
7	909 6394 000	1	LATCH SQUEEGEE KIT (29,32,33)
8	33005915	1	WASHER FLAT 8X17
9	08238300	2	WASHER
10	33005607	3	NUT SELFLOCKING M8
11	xxxxxxx	2	NUT HEX LOW M8 (SEE HARDWARE SQUEEGEE FIXING KIT)
12	xxxxxxx	1	SUPPORT PIN (SEE HARDWARE SQUEEGEE FIXING KIT)
13	xxxxxxx	1	HANDWHEEL M8X55 (SEE HARDWARE SQUEEGEE FIXING KIT)
14	xxxxxxx	1	SPACER Ø8XØ10X7 (SEE HARDWARE SQUEEGEE FIXING KIT)
15	33005608	1	NUT
16	xxx xxxx xxx	1	SPACER 6.5X10X4.5 (SEE HARDWARE SQUEEGEE FIXING KIT)
17	33005758	2	SPLIT PIN
18	909 6635 000	2	SELF-ADHESIVE TIE MOUNT
19	909 6052 000	1	SPRING SUPPORT
20	xxxxxxx	1	WASHER FLAT 6X18 SS (SEE HARDWARE SQUEEGEE FIXING KIT)
21	56325568	1	WASHER FLAT 10X30
22	xxx xxxx xxx	1	SCREW HEX HD M6X25 SS (SEE HARDWARE SQUEEGEE FIXING KIT)
23	909 6045 000	1	SQUEEGEE SUPPORT
24	909 6851 000	1	SQUEEGEE KIT COMPLETE
25	909 6483 000	1	BLADE FRONT
26	909 6484 000	1	BLADE REAR
27	909 6551 000	1	KNOB M8X30 SS
28	xxxxxxx	2	ROLLER BUMPER (SEE ROLLER BUMPER SQUEEGEE KIT)
29	xxxxxxx	1	LATCH FOR SQUEEGEE (SEE HARDWARE SQU. BLADE FIXING KIT- LATCH SQUEEGEE KIT)
30	08603675	2	NUT THUMB SQUEEGEE FIXING
31	xxxxxxx	5	NUT HEX. SELFLOCK. M6 SS (SEE HARDWARE SQUEEGEE FIXING KIT - WHEEL SQUEEGEE KIT- ROLLER BUMPER SQUEEGEE KIT)
32	xxxxxxx	2	SCREW M4X10 SS (SEE HARDWARE SQU.BLADE FIXING KIT- LATCH SQUEEGEE KIT)
33	xxxxxxx	2	NUT HEX SELF LOCK M4 SS (SEE HARDWARE SQU.BLADE FIXING KIT- LATCH SQUEEGEE KIT)
34	xxx xxxx xxx	2	SCREW HEX HD M6X55 SS (SEE WHEEL SQUEEGEE KIT- KIT SQUEEGEE BUMPER ROLLER)
35	909 5953 000	2	SCREW 5/16"
36	909 6044 000	1	WELDMENT SQUEEGEE TOOL
37	xxx xxxx xxx	1	STRAP, SQUEEGEE LEFT REAR (SEE HARDWARE SQU. BLADE FIXING KIT)
38	909 6055 000	1	STRAP, SQUEEGEE FRONT
39	xxx xxxx xxx	1	STRAP, SQUEEGEE RIGHT REAR (SEE HARDWARE SQU. BLADE FIXING KIT)
40	xxx xxxx xxx	2	SQUEEGEE WHEEL D.60 (SEE WHEEL SQUEEGEE KIT)
41	909 6600 000	1	DOWEL M8X30 SS
42	xxx xxxx xxx	2	SCREW M6X40 SS (SEE ROLLER BUMPER SQUEEGEE KIT)
43	909 6682 000	2	RUBBER WASHER
44	xxx xxxx xxx	1	RUBBER SPACER (SEE HARDWARE SQU. BLADE FIXING KIT)
45	xxxxxxx	2	SPACER Ø6,3XØ9,5X21 (SEE ROLLER BUMPER SQUEEGEE KIT)
46	909 6882 000	1	HARDWARE SQU. BLADE FIXING KIT (29,32,33,37,39,44)
47	909 6883 000	1	WHEEL SQUEEGEE KIT (31,34,40)
48	909 6884 000	1	ROLLER BUMPER SQUEEGEE KIT (28,31,42,45)
[49]	909 6885 000	1	HARDWARE SQUEEGEE FIXING KIT (2,11,12,13,14,16,20,22,31)

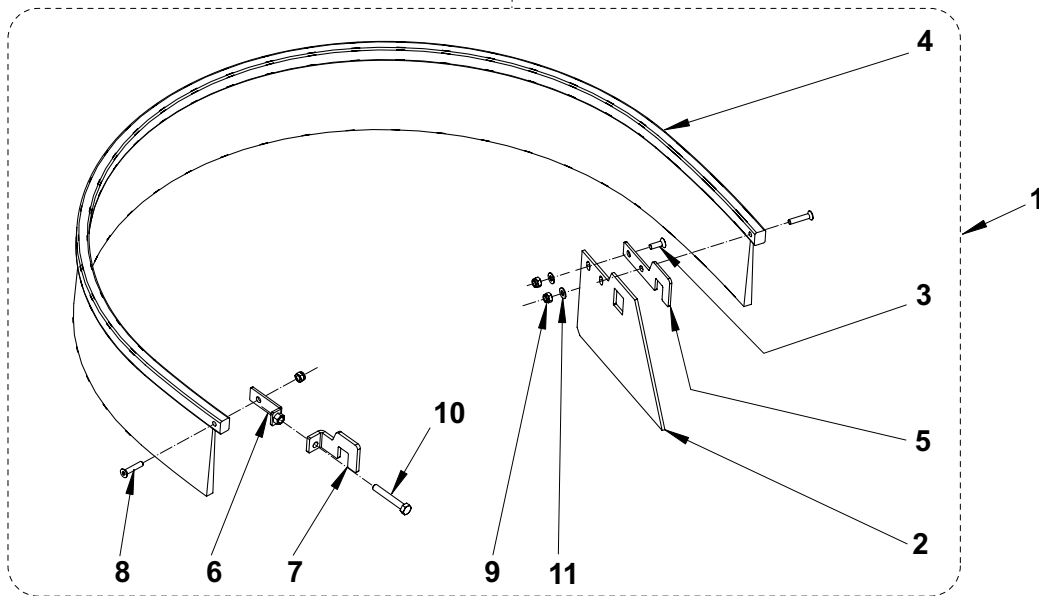
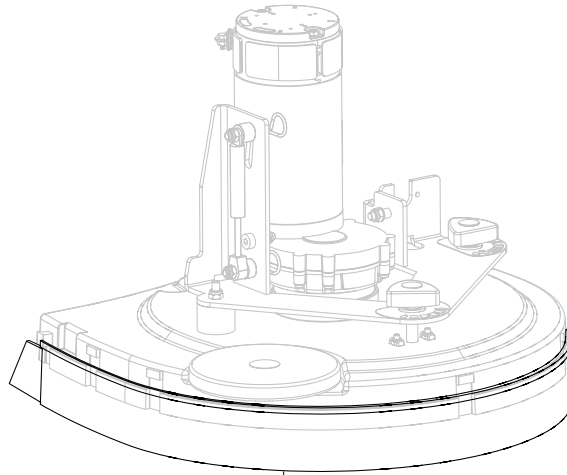


Item No.	Ref. No.	Qty	Description
1	909 6494 000	1	SQUEEGEE BRACKET
2	xxx xxxx xxx	2	SHOULDER BOLT M10X16 (SEE SQUEEGEE SUPPORT HARDWARE KIT)
3	909 6045 000	1	SQUEEGEE SUPPORT
4	xxxxxxx	2	WASHER (SEE SQUEEGEE SUPPORT HARDWARE KIT)
5	xxxxxxx	2	NUT SELFLOCKING M8 (SEE SQUEEGEE SUPPORT HARDWARE KIT)
6	xxxxxxx	2	NUT HEX LOW M8 (SEE SQUEEGEE SUPPORT HARDWARE KIT)
7	xxxxxxx	1	SUPPORT PIN (SEE SQUEEGEE SUPPORT HARDWARE KIT)
8	xxxxxxx	1	HANDWHEEL M8X55 (SEE SQUEEGEE SUPPORT HARDWARE KIT)
9	xxxxxxx	1	SPACER Ø8XØ10X7 (SEE SQUEEGEE SUPPORT HARDWARE KIT)
10	xxxxxxx	2	WASHER FLAT 6X18 SS (SEE SQUEEGEE SUPPORT HARDWARE KIT)
11	xxxxxxx	1	WASHER FLAT 10X30 (SEE SQUEEGEE SUPPORT HARDWARE KIT)
12	xxxxxxx	1	SPACER (SEE SQUEEGEE SUPPORT HARDWARE KIT)
13	xxx xxxx xxx	1	SCREW HEX HD M6X25 SS (SEE SQUEEGEE SUPPORT HARDWARE KIT)
14	xxxxxxx	1	NUT (SEE SQUEEGEE SUPPORT HARDWARE KIT)
15	xxx xxxx xxx	1	SPACER 6.5X10X4.5 (SEE SQUEEGEE SUPPORT HARDWARE KIT)
16	xxxxxxx	1	SCREW HEX HD M10X65 (SEE SQUEEGEE SUPPORT HARDWARE KIT)
17	xxxxxxx	1	NUT HEX M6 SELFLOCK SS (SEE SQUEEGEE SUPPORT HARDWARE KIT)
18	909 5372 000	1	KIT SQUEEGEE
19	xxxxxxx	1	LATCH FOR SQUEEGEE (SEE FIXING SQUEEGEE KIT - LATCH SQUEEGEE KIT )
20	08603830	2	BLADE FRONT
<b>20*</b>	<b>909 5629 000</b>	<b>1</b>	<b>BLADE FRONT NON MARKING</b>
21	xxxxxxx	1	ROLLER BUMPER (SEE KIT SQUEEGEE BUMPER ROLLER)
22	xxxxxxx	2	SQUEEGEE WHEEL (SEE KIT SQUEEGEE WHEEL)
23	909 5294 000	1	WELDMENT SQUEEGEE TOOL
24	xxxxxxx	6	SCREW HEX HD M5X20 SS (SEE KIT SQUEEGEE WHEEL)
25	xxxxxxx	8	NUT HEX. LOW SELF LOCK. M5 SS (SEE KIT SQUEEGEE WHEEL)
26	xxxxxxx	2	SPACER (SEE KIT SQUEEGEE WHEEL)
27	08603879	1	WHEEL SQUEEGEE KIT (22,24,25,26,31,39)
28	xxxxxxx	2	NUT HEX SELF LOCK M4 SS (SEE FIXING SQUEEGEE KIT - LATCH SQUEEGEE KIT )
29	xxxxxxx	2	SCREW M4X10 SS (SEE FIXING SQUEEGEE KIT- LATCH SQUEEGEE KIT )
30	xxx xxxx xxx	10	WING NUT M6 (SEE FIXING SQUEEGEE KIT)
31	xxxxxxx	2	SUPPORT SQUEEGEE WHEEL (SEE KIT SQUEEGEE WHEEL)
32	xxxxxxx	2	SPACER Ø6,3XØ9,5X21 (SEE KIT SQUEEGEE BUMPER ROLLER)
33	08603831	1	STRAP FRONT
34	xxxxxxx	1	RIGHT REAR STRAP (SEE FIXING SQUEEGEE KIT)
35	xxxxxxx	1	STRAP LEFT REAR (SEE FIXING SQUEEGEE KIT)
36	08603675	2	THUMB NUT SQUEEGEE FIXING
37	08603832	1	BLADE REAR
38	08603880	1	ROLLER BUMPER SQUEEGEE KIT (21,32)
39	xxxxxxx	2	SCREW HEX HD M5X45 SS (SEE KIT SQUEEGEE WHEEL)
40	909 6894 000	1	HARDWARE SQUEEGEE FIXING KIT (19,28,29,30,34,35)
41	909 6394 000	1	LATCH SQUEEGEE KIT (19,28,29)
[42]	909 6886 000	1	HARDWARE FIXING KIT (2,4,5,6,7,8,9,10,11,12,13,14,15,16,17)



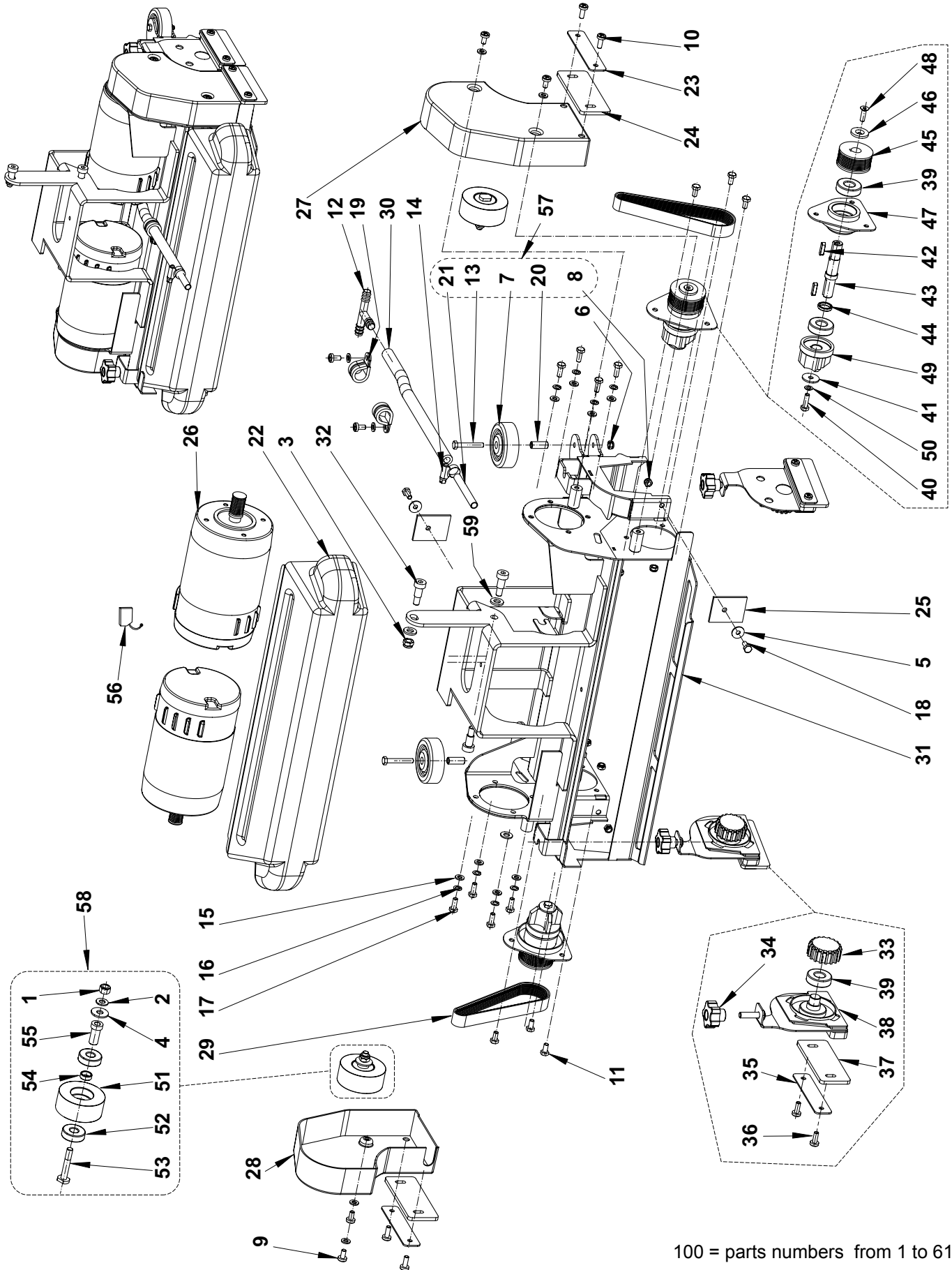
100 = parts numbers from 1 to 47

Item No.	Ref. No.	Qty	Description
100	909 6853 000	1	BRUSH DECK ADFINITY™ X20D
1	145 0252 000	4	WASHER SS
2	909 6513 000	1	BUSHING
3	xxx xxxx xxx	1	NUT HEX SELFLOCK M8 SS (SEE BUMPER ROLLER KIT)
4	909 6495 000	2	SHOULDER BOLT M10X16
5	909 6546 000	1	REDUCTION GEARMOTOR CPL
6	145 0494 000	1	WASHER FLAT 8X32 SS
7	56325602	2	VIBRATION DAMPING M8
8	xxx xxxx xxx	2	SCREW HEX HD M8X16 SS (SEE BRUSH SYSTEM HARDWARE KIT)
9	xxxxxxx	4	NUT SELFLOCKING M8 (SEE BRUSH SYSTEM HARDWARE KIT)
10	33005604	2	NUT HEX SELFLOCKING M6
11	56325648	1	HOLDER RUBBER 1/4
12	xxxxxxx	1	BRUSH HUB (SEE HOLDERPOLYG.W/FLAGE KIT)
13	xxxxxxx	1	SCREW HEX HD M8X30 SS (SEE BUMPER ROLLER KIT)
14	xxxxxxx	1	NUT HEX. LOW SELF LOCK. M5 SS (SEE BRUSH SYSTEM HARDWARE KIT)
15	xxxxxxx	1	HUB, BRUSH R. MOTOR (SEE HOLDER POLYG.W/FLAGE KIT)
16	xxxxxxx	1	KNOB (SEE BRUSH SYSTEM HARDWARE KIT)
17	xxxxxxx	1	BUMPER ROLLER (SEE BUMPER ROLLER KIT)
18	xxxxxxx	1	SPACER (SEE BRUSH SYSTEM HARDWARE KIT)
19	33005916	2	WASHER FLAT 10
20	xxxxxxx	1	SPACER (SEE BUMPER ROLLER KIT)
21	xxxxxxx	1	CAP FOR KNOB (SEE BRUSH SYSTEM HARDWARE KIT)
22	xxxxxxx	1	PIN PLATE FIXING (SEE BRUSH SYSTEM HARDWARE KIT)
23	xxxxxxx	1	WASHER RUBBER 10X30X2 (SEE BRUSH SYSTEM HARDWARE KIT)
24	xxxxxxx	2	WASHER FLAT 9X27 (SEE BRUSH SYSTEM HARDWARE KIT)
25	xxxxxxx	1	CAP, BUMPER ROLLER (SEE BUMPER ROLLER KIT)
26	xxx xxxx xxx	1	SCREW HEX HD M6X20 SS (SEE HOLDERPOLYG.W/FLAGE KIT)
27	xxxxxxx	3	WASHER M6 (SEE HOLDERPOLYG.W/FLAGE KIT)
28	xxxxxxx	1	WASHER FLAT 8X24 (SEE BUMPER ROLLER KIT)
29	xxx xxxx xxx	2	SCREW HEX HD M6X35 SS (SEE BRUSH SYSTEM HARDWARE KIT)
30	145 9959 000	4	SCREW HEX HD M6X16 SS
31	xxx xxxx xxx	1	WASHER FLAT 5X10 SS (SEE BRUSH SYSTEM HARDWARE KIT)
32	909 6042 000	1	DECK BRUSH
33	909 6485 000	1	PLATE, DECK BRUSH HOLDER
34	909 6532 000	1	DECAL BRUSH ADJUSTING
35	xxxxxxx	1	SPRING WASHER (SEE BUMPER ROLLER KIT)
36	xxx xxxx xxx	1	WASHER FLAT 6X24 SS (SEE HOLDERPOLYG.W/FLAGE KIT)
37	xxxxxxx	1	VIBRATION DAMPING PLATE (SEE BRUSH SYSTEM HARDWARE KIT)
38	xxx xxxx xxx	1	SCREW M6X20 SS (SEE HOLDERPOLYG.W/FLAGE KIT)
39	9097093000	1	HOLDER POLYG.W/FLAGE KIT (12,15,26,27,36,38)
40	909 6515 000	1	PIN
41	33005607	2	NUT SELFLOCKING M8
42	909 6514 000	1	SPRING GAS
43	909 6516 000	1	PIN
44	145 8564 000	2	PIN SPLIT 3X60
45	909 5380 000	1	CARBON BRUSH KIT
46	909 6887 000	1	ROLLER BUMPER KIT (3,13,17,20,25,28,35)
[47]	909 6888 000	1	HARDWARE BRUSH DECK KIT (8,9,14,16,18,21,22,23,24,29,31,37)



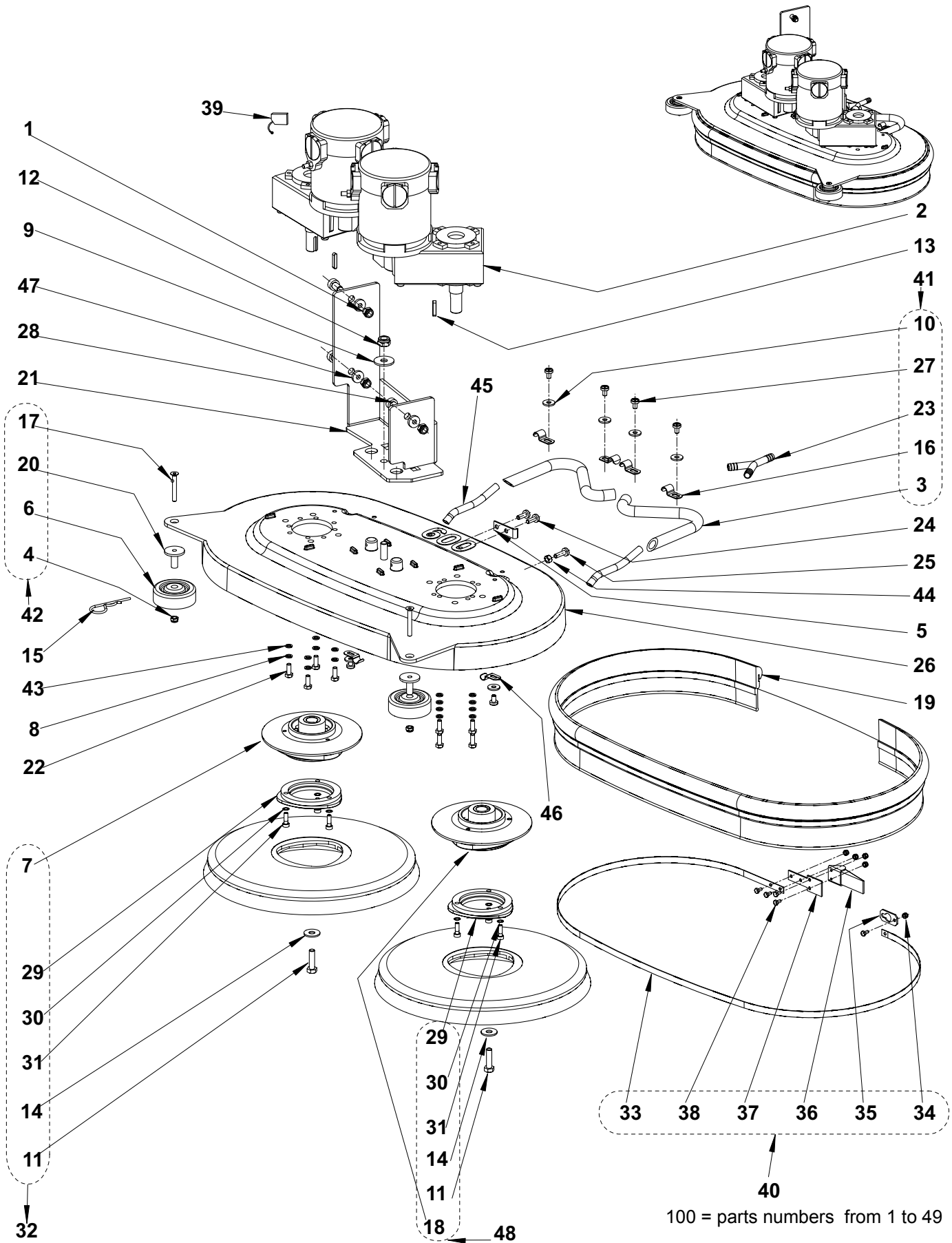
**SPLASH GUARD 20" KIT  
(ADFINITY™ 20D / X20D)**

Item No.	Ref. No.	Qty	Description
1	909 6736 000	1	SPLASH GUARD 20" KIT (11,12,13,14,15,17,17,18,19,20)
2	xxx xxxx xxx	1	RUBBER SPLASH GUARD (SEE SPLASH GUARD 20" KIT)
3	xxxxxxxx	1	SCREW M4X12 (SEE SPLASH GUARD 20" KIT)
4	xxx xxxx xxx	1	SPLASH GUARD (SEE SPLASH GUARD 20" KIT)
5	xxx xxxx xxx	1	BRACKET FIXING SPLASH GUARD (SEE SPLASH GUARD 20" KIT)
6	xxx xxxx xxx	1	BRACKET FIXING SPLASH GUARD (SEE SPLASH GUARD 20" KIT)
7	xxx xxxx xxx	1	BRACKET FIXING SPLASH GUARD (SEE SPLASH GUARD 20" KIT)
8	xxxxxxxx	2	SCREW M4X20 (SEE SPLASH GUARD 20" KIT)
9	xxx xxxx xxx	3	NUT (SEE SPLASH GUARD 20" KIT)
10	xxxxxxxx	1	SCREW HEX HD M5X35 (SEE SPLASH GUARD 20" KIT)
11	xxx xxxx xxx	2	WASHER M4 (SEE SPLASH GUARD 20" KIT)
[12]	909 6745 000	1	INSTALLATION INSTRUCTIONS FOR SPLASH GUARD KIT (SEE SPLASH GUARD 20" KIT)



100 = parts numbers from 1 to 61

Item No.	Ref. No.	Qty	Description
100	909 6854 000	1	BRUSH DECK KIT ADFINITY™ X20C
1	xxxxxxx	5	NUT SELFLOCKING M8 (SEE BELT TENSIONER KIT)
2	xxxxxxx	2	WASHER FLAT 8X17 (SEE BELT TENSIONER KIT)
3	33005607	3	NUT SELFLOCKING M8
4	xxxxxxx	2	WASHER FLAT 8X24 (SEE BELT TENSIONER KIT)
5	xxxxxxx	2	WASHER FLAT 6X18 SS (SEE SPLASH GUARD KIT)
6	33005604	2	NUT HEX SELFLOCKING M6
7	xxxxxxx	2	ROLLER BUMPER (SEE ROLLER BUMPER KIT)
8	xxxxxxx	8	NUT HEX. SELFLOCK. M6 SS (SEE ROLLER BUMPER KIT)
9	08603706	6	SCREW M6X12
10	xxxxxxx	4	SCREW M6X16 (SEE SPLASH GUARD KIT)
11	145 0498 000	6	SCREW HEX HD M6X12
12	145 4366 000	1	HOLDER RUBBER T DIAM 12MM
13	xxxxxxx	2	SCREW HEX HD M6X40 (SEE ROLLER BUMPER KIT)
14	145 8582 000	1	CLAMP
15	33005913	14	WASHER FLAT 6X12,5
16	33005851	8	WASHER SPLIT 6
17	33003974	8	SCREW HEX. HD M6X16
18	xxx xxx xxx	2	SCREW HEX. HD M6X14 SS (SEE SPLASH GUARD KIT)
19	909 5516 000	2	CABLE CLAMP Ø18
20	xxx xxx xxx	2	SPACER (SEE ROLLER BUMPER KIT)
21	909 5772 000	1	HOSE COPPER
22	909 5805 000	1	CONTAINER DIRT
23	xxx xxx xxx	2	PLATE SPLASH GUARD FIXING (SEE SPLASH GUARD KIT)
24	xxx xxx xxx	2	CYLINDRICAL SPLASH GUARD (SEE SPLASH GUARD KIT)
25	xxx xxx xxx	2	CYLINDRICAL SPLASH GUARD (SEE SPLASH GUARD KIT)
26	909 5812 000	2	MOTOR ELECTRIC 400W 24V
27	909 5817 000	1	CRANKCASE BELT PROTECT. RIGHT
28	909 5818 000	1	CRANKCASE BELT PROTECT. LEFT
29	909 5820 000	2	BELT POLY-V
30	909 5870 000	1	HOSE DIAM 10 L.190 MM
31	909 6518 000	1	CYLINDRICAL BRUSH DECK FRAME
32	909 6495 000	3	SHOULDER BOLT M10X16
33	56407551	2	HUB
34	146 1851 000	2	KNOB M8
35	xxx xxx xxx	2	PLATE SPLASH GUARD FIXING (SEE SPLASH GUARD KIT)
36	xxxxxxx	4	SCREW M6X16 (SEE SPLASH GUARD KIT)
37	xxx xxx xxx	2	CYLINDRICAL SPLASH GUARD (SEE SPLASH GUARD KIT)
38	909 5808 000	2	BRUSH SUPPORT
39	145 2361 000	6	BEARING
40	145 0253 000	2	SCREW HEX HD M6X20 SS
41	145 0493 000	2	WASHER FLAT 6X24 SS
42	145 9774 000	4	KEY
43	909 5755 000	2	PIN BRUSH PULLEY
44	146 1232 000	2	SPACER Ø15XØ20X4
45	909 5819 000	2	PULLEY
46	145 5828 000	2	SPACER
47	909 5807 000	2	BRUSH PULLEY SUPPORT
48	33004578	2	SCREW M6X20
49	909 5728 000	2	BRUSH HUB
50	909 5753 000	2	WASHER SPLIT 6 SS
51	xxx xxx xxx	2	ROLLER (SEE BELT TENSIONER KIT)
52	xxx xxx xxx	4	BEARING (SEE BELT TENSIONER KIT)
53	xxx xxx xxx	2	PIN THD FORM (SEE BELT TENSIONER KIT)
54	xxx xxx xxx	2	SPACER (SEE BELT TENSIONER KIT)
55	xxx xxx xxx	2	PIN (SEE BELT TENSIONER KIT)
56	909 5877 000	4	CARBON BRUSH (4 PCS F/EACH MOTOR)
57	909 6889 000	1	ROLLER BUMPER KIT (7,8,13,20)
58	909 6360 000	1	BELT TENSIONER KIT (1,2,4,51,52,53,54,55)
59	33005916	3	WASHER FLAT 10
[60]	909 6620 000	1	HARNESS CYL. BRUSH DECK
[61]	909 6890 000	1	SPLASH GUARD KIT (5,10,18,23,24,25,35,36,37)



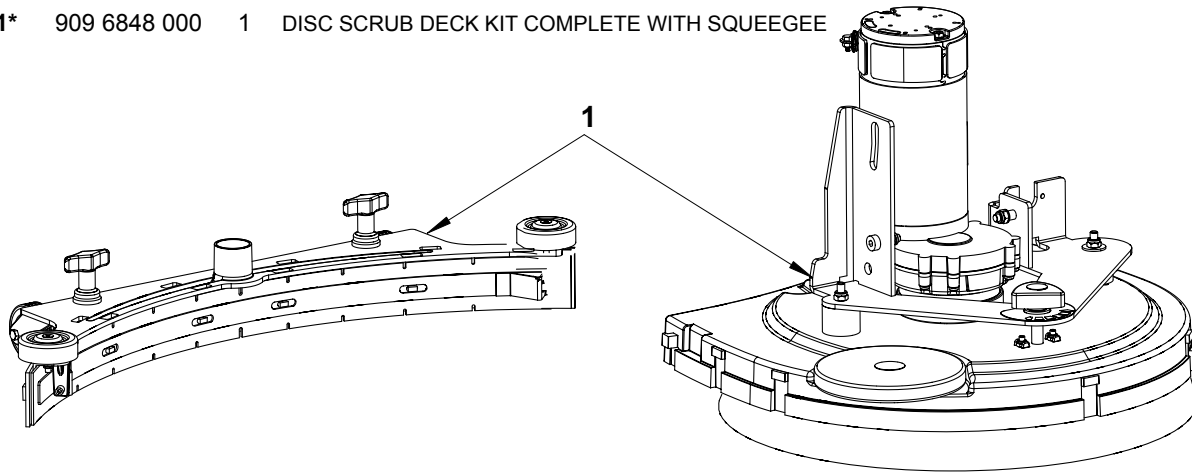
Item No.	Ref. No.	Qty	Description
100	909 6855 000	1	BRUSH DECK KIT ADFINITY™ X24D
1	33005607	3	NUT SELFLOCKING M8
2	909 6727 000	2	REDUCTION GEARMOTOR 24V W 350
3	xxx xxxx xxx	2	HOSE Ø10 (SEE HOSE WATER BRUSH DECK KIT)
4	xxxxxxx	2	NUT HEX SELFLOCKING M6 (SEE BUMPER ROLLER KIT)
5	08603968	1	PLATE, BENT
6	xxxxxxx	2	ROLLER BUMPER (SEE BUMPER ROLLER KIT)
7	xxxxxxx	1	HUB BRUSH REDUCTION GEARMOTOR RIGHT (HOLDER POLYG. RIGHT W/FLANGE KIT)
8	145 0252 000	8	WASHER SS
9	56325568	1	WASHER FLAT 10X30
10	xxxxxxx	6	WASHER FLAT 6X18 SS (SEE HOSE WATER BRUSH DECK KIT)
11	xxxxxxx	2	SCREW HEX HD M8X30 SS (SEE HOLDERPOLYG.W/FLAGE RIGHT- LEFT KITS)
12	33005608	1	NUT
13	145 8024 000	2	TAB
14	xxx xxxx xxx	2	WASHER FLAT 8X24 SS (SEE HOLDERPOLYG.W/FLAGE RIGHT- LEFT KITS)
15	145 8564 000	1	PIN SPLIT 3X60
16	xxx xxxx xxx	4	U-BOLT Ø16 (SEE HOSE WATER BRUSH DECK KIT)
17	xxx xxxx xxx	2	SCREW M6X45 (SEE BUMPER ROLLER KIT)
18	xxxxxxx	1	HUB BRUSH REDUCTION GEARMOTOR LEFT (HOLDER POLYG. LEFT W/FLANGE KIT)
19	909 5224 000	1	SPLASH GUARD 650
20	xxx xxxx xxx	2	SPACER, ROLLER BUMPER (SEE BUMPER ROLLER KIT)
21	909 6512 000	1	BRACKET, BRUSH DECK
22	145 0253 000	8	SCREW HEX HD M6X20 SS
23	xxx xxxx xxx	1	RUBBER HOLDER Y D.12 (SEE HOSE WATER BRUSH DECK KIT)
24	909 5010 000	2	SCREW OVAL HD M6X16 SS
25	909 5011 000	1	SCREW OVAL HD M6X20 SS
26	909 5344 000	1	BRUSH DECK 600
27	xxx xxxx xxx	6	SCREW M6X10 SS (SEE HOSE WATER BRUSH DECK KIT)
28	909 6495 000	3	SHOULDER BOLT M10X16
29	xxxxxxx	1	BRUSH HUB (SEE HOLDERPOLYG.W/FLAGE RIGHT- LEFT KITS)
30	xxxxxxx	3	WASHER M6 (SEE HOLDERPOLYG.W/FLAGE RIGHT- LEFT KITS)
31	xxx xxxx xxx	1	SCREW M6X20 SS (SEE HOLDERPOLYG.W/FLAGE RIGHT- LEFT KITS)
32	08812589	1	HOLDER POLYG.RIGHT W/FLAGE KIT (7,11,14,29,30,31)
33	xxxxxxx	1	HOLDER SPLASH GUARD (SEE SPLASH GUARD FIT. KIT)
34	xxxxxxx	5	NUT HEX LOW M4 SELFLOCK SS (SEE SPLASH GUARD FIT. KIT)
35	xxxxxxx	1	PLATE, STRAIGHT W/HOLE (SEE SPLASH GUARD FIT. KIT)
36	xxxxxxx	1	SQUEEGEE LATCH (SEE SPLASH GUARD FIT. KIT)
37	xxxxxxx	1	PLATE, STRAIGHT (SEE SPLASH GUARD FIT. KIT)
38	xxx xxxx xxx	5	SCREW HEX HD M4X8 (SEE SPLASH GUARD FIT. KIT)
39	909 6893 000	1	CARBON BRUSH KIT (1 KIT EACH MOTOR)
40	909 5398 000	1	SPLASH GUARD FIXING KIT (33,34,35,36,37,38)
41	909 6891 000	1	HOSE WATER BRUSH DECK KIT (3,10,16,23,27)
42	909 5894 000	1	BUMPER ROLLER KIT (4,6,17,20)
43	08603689	10	WASHER 6X18 SS
44	145 9960 000	1	NUT HEX M6 SS
45	909 5228 000	2	COPPER HOSE
46	145 9212 000	2	U-BOLT Ø10
47	33005916	3	WASHER FLAT 10
48	9097092000	1	HOLDER POLYG. LEFT W/FLANGE KIT (11,14,18,29,30,31)
[49]	909 6619 000	1	HARNES BRUSH DECK

30

## Adfinity™ 20D / X20D / X20C / X24D

## Adfinity™ 20D / X20D

Item	Ref. No.	Qty	Description
1*	909 6848 000	1	DISC SCRUB DECK KIT COMPLETE WITH SQUEEGEE



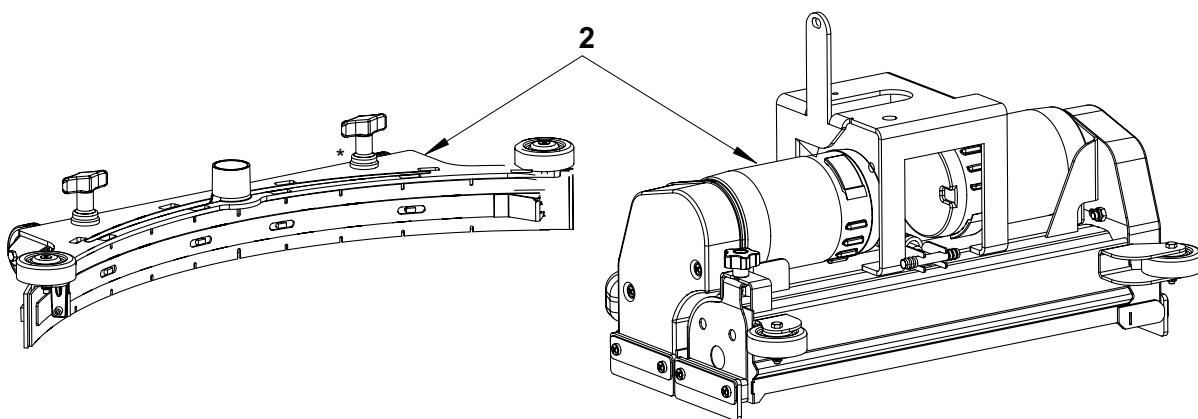
## Adfinity™ 20D / X20D

## Ref. No. - BRUSHES

- \* 56325504 - PROLENE
- \* 08837026 - PROLITE
- \* 08837027 - UNION MIX
- \* 08837028 - MIDLITE GRIT
- \* 08837029 - MID GRIT 240
- \* 08837065 - MAGNA GRIT 46
- \* 08837066 - DYNA GRIT 80
- \* 08837067 - AGLITE GRIT 500
- \* 56325502 - PAD HOLDER KIT

## Adfinity™ X20C

Item	Ref. No.	Qty	Description
2*	909 6849 000	1	CYLINDRICAL BRUSH DECK KIT COMPLETE WITH SQUEEGEE



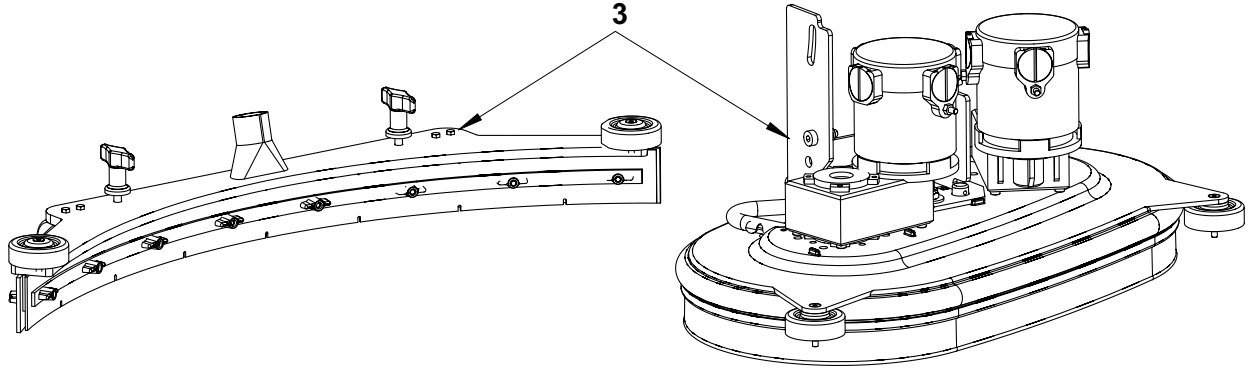
## Adfinity™ X20C

## Ref. No. - BRUSHES

- \* 909 5823 000 - BRUSH CYL PROLITE
- \* 909 5824 000 - BRUSH CYL PROLITE PLUS
- \* 909 5825 000 - BRUSH CYL MIDLITE GRIT 180

**Adfinity™ X24D**

Item	Ref. No.	Qty	Description
3*	909 6850 000	1	BRUSH DECK KIT COMPLETE WITH SQUEEGEE



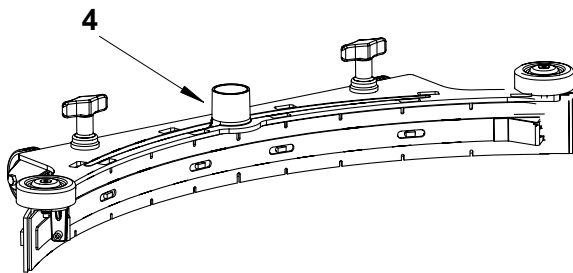
**Adfinity™ X24D**

**Ref. No. - BRUSHES**

- \* 08603842 - PROLENE
- \* 08603873 - MIDGRIT 240
- \* 08603872 - MIDLITE GRIT 180
- \* 08603874 - PROLITE
- \* 08603875 - UNION MIX
- \* 08603939 - PAD HODER KIT

**Adfinity™ 20D / X20D / X20C**

Item	Ref. No.	Qty	Description
4*	08603878	1	SQUEEGEE KIT
4*	909 6851 000	1	SQUEEGEE KIT ALUMINIUM



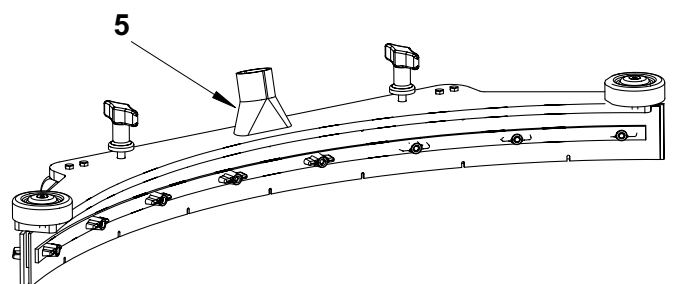
**Adfinity™ 20D / X20D / X20C**

**Ref. No. - ALUMINIUM SQUEEGEE BLADES**

- \* 909 6483 000 - FRONT BLADE STANDARD
- \* 909 6484 000 - REAR BLADE STANDARD
- \* 909 6860 000 - WEAR PACK: STD SQUEEGEE BLADES
- \* 909 6858 000 - WEAR PACK: PU SQUEEGEE BLADES

**Adfinity™ X24D**

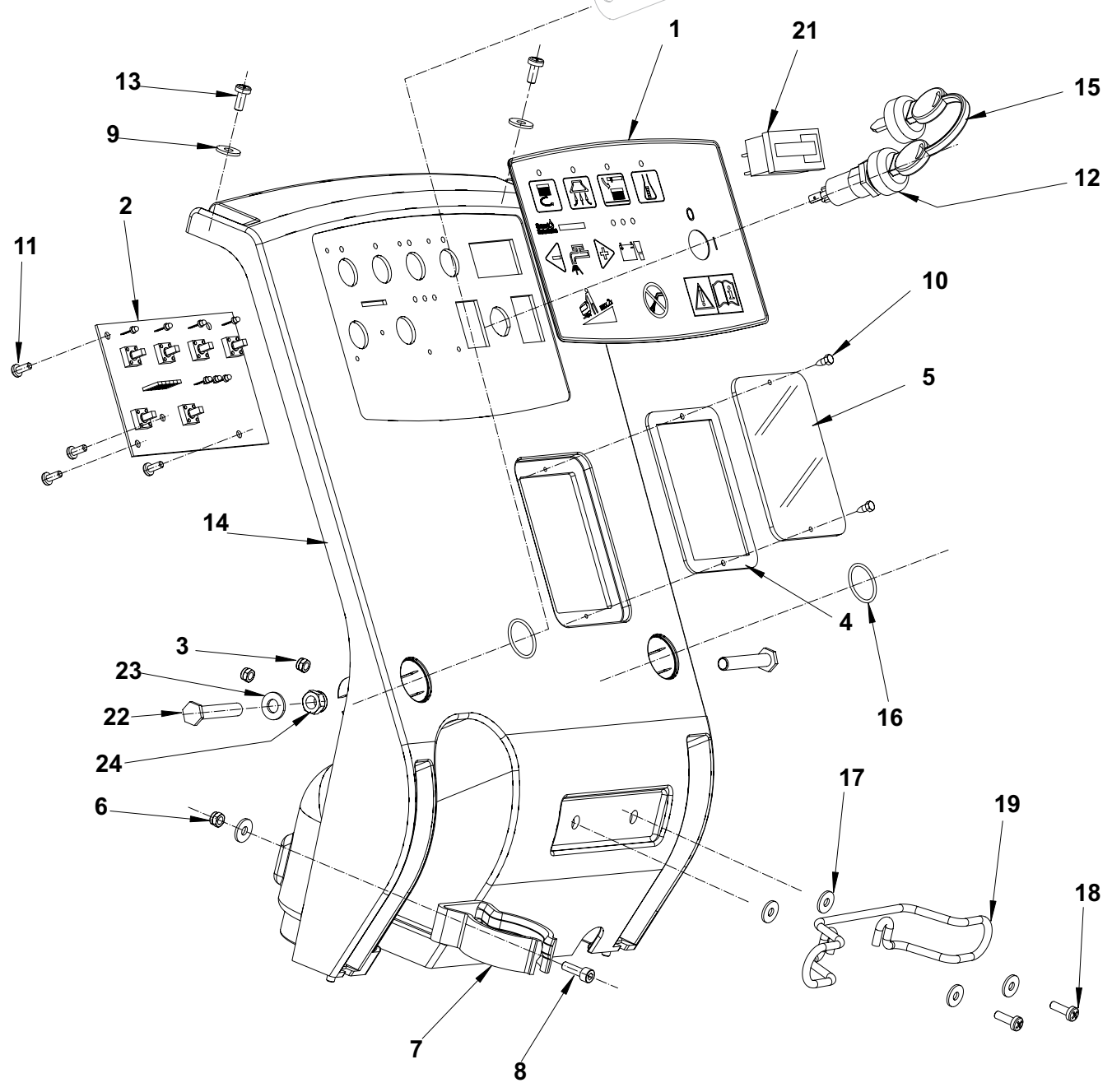
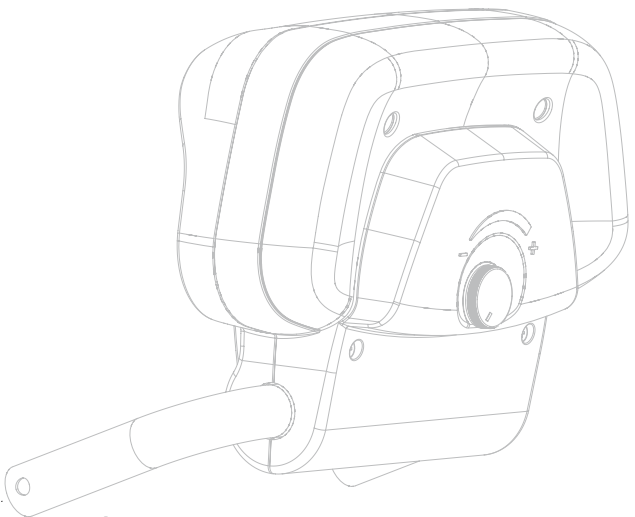
Item	Ref. No.	Qty	Description
5*	909 5372 000	1	SQUEEGEE KIT 32" (810MM)



**Adfinity™ X24D**

**Ref. No. - SQUEEGEE BLADES**

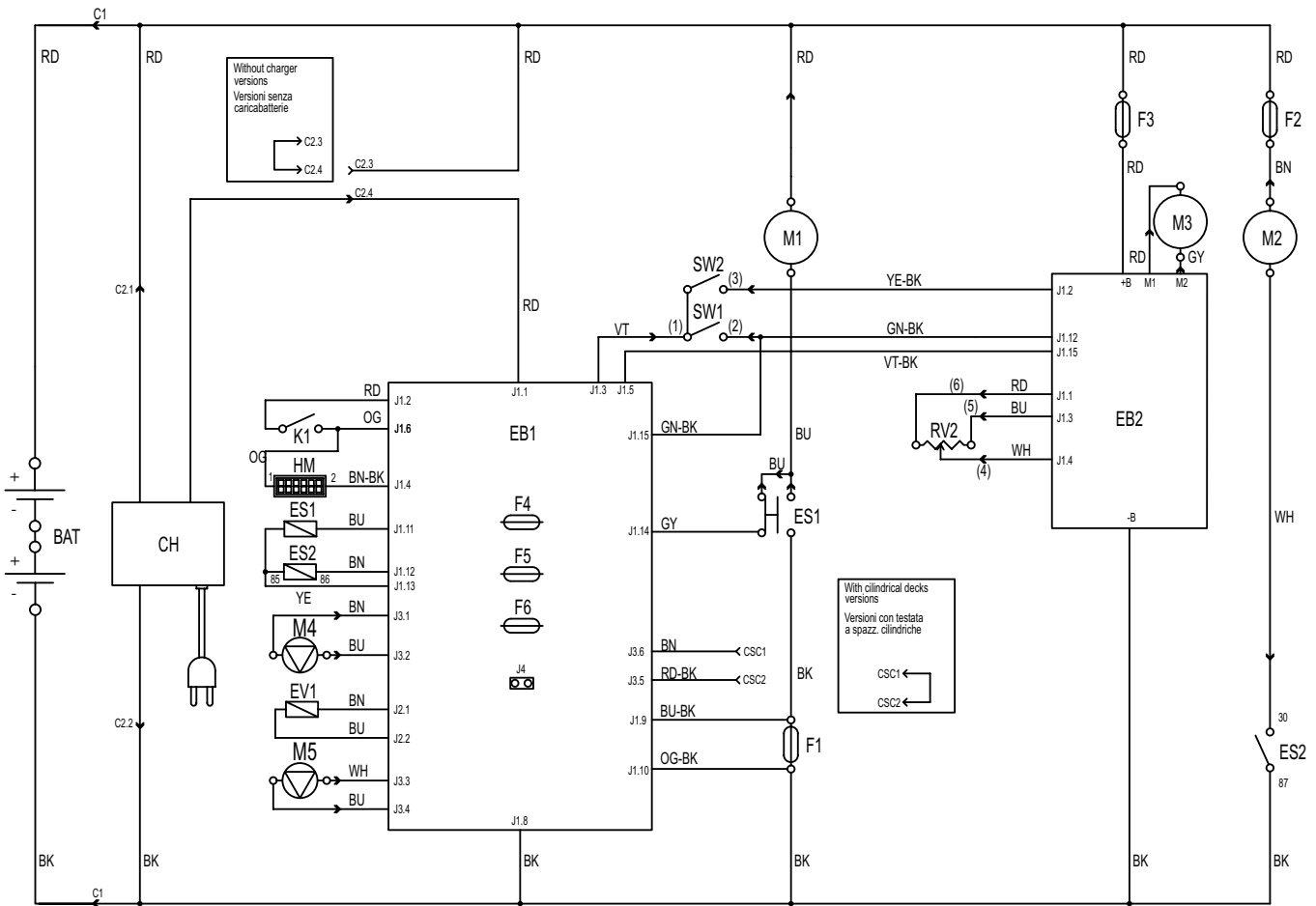
- \* 08603830 - FRONT BLADE STANDARD
- \* 08603832 - REAR BLADE STANDARD
- \* 909 5006 000 - WEAR PACK: STD SQUEEGEE BLADES
- \* 909 6859 000 - WEAR PACK: PU SQUEEGEE BLADES



Item No.	Ref. No.	Qty	Description
1	9097001000	1	DECAL CONTROL PANEL 20 D
1	9097002000	1	DECAL CONTROL PANEL X 20 D, X 20 C, X 24 D
2	909 6499 000	1	CARD ELECTRONIC CONTROL PANEL
3	33005603	3	NUT HEX SELF LOCK M5
4	909 6545 000	1	GASKET
5	909 5313 000	1	INSPECTION PLATE
6	33005603	1	NUT HEX SELF LOCK M5
7	08812967	1	CLAMP, HOSE DIAM. 50MM
8	33004124	1	SCREW SOCKET HD M5X16 SS
9	145 8280 000	5	WASHER FLAT 5X15 SS
10	145 9211 000	2	SCREW
11	146 0783 000	5	SCREW PAN HD 4X10 THD
12	146 2888 000	1	SWITCH KEY WITH CAP
13	909 5009 000	4	SCREW OVAL HD M5X12 SS
14	909 6053 000	1	ELECTRIC COMPONENTS COVER
15	146 2887 000	1	KEY
16	909 6675 000	2	O-RING 132
17	145 1261 000	4	WASHER
18	146 2090 000	2	SCREW CYL HD M5X16
19	909 5149 000	1	SUPPORT CABLE
21*	9096951000	1	COUNTER HOUR 24V KIT
22	909 6827 000	2	SCREW HEX HEAD M8X45
23	33005915	2	WASHER FLAT 8X17
24	33005607	2	NUT HEX SELF LOCK M8
[25]	145 8368 000	2	FUSE 3A (PCB FUNCTIONS - PUMP)
[26]	909 6678 000	1	FUSE 20A (CLICK ON/OFF - BRUSH)
[27]*	9096952000	1	INSTRUCTIONS FOR COUNTER HOUR KIT



Item No.	Ref. No.	Qty	Description
1	145 8046 000	1	HOLDER FUSE
2	909 6498 000	1	SUPPORT
3	909 6676 000	2	SPACER M4 L=25
4	33005499	4	NUT HEX M3
5	08812801	2	SPACER
6	08812964	4	SCREW HEX HD M3X10
7	08812986	4	WASHER SPLIT 3 SS
8	145 8513 000	2	FUSE BLADE 30A ( VACUUM - DRIVE MOTOR)
9	145 1261 000	2	WASHER
10	145 1449 000	3	CLAMP
11	33003947	2	SCREW HEX HD M4X10
12	33005838	2	WASHER SPLIT 4
13	33005839	2	WASHER
14	145 6132 000	3	INSERT M5
15	145 5743 000	7	NUT
16	145 3824 000	1	FUSE STRIP 40A (BRUSH MOTOR)
17	33003960	2	SCREW HEX. HD M5X12
18	145 9237 000	1	WASHER FLAT 4X12
19	33003947	3	SCREW HEX HD M4X10
20	146 0622 000	1	DOWEL
21	146 0660 000	2	BLADE FUSE HOLDER
22	909 5127 000	1	ELECTROMAGNETIC SWITCH 24V (BRUSH MOTOR CONTACTOR)
23	9096908000	1	CARD ELECTRONIC TRACTION
24	909 6622 000	1	RELAY 24V 40A (VACUUM MOTOR CONTACTOR)
25	9096964000	1	HARNESS ELECTRIC BOX
26	33005839	3	WASHER
27	145 1261 000	3	WASHER
28	909 6541 000	1	BATTERY CHARGER 24V 13A
29	9096914000	1	CABLE EXTENTION US
30	909 6337 000	3	SCREW CYL HD M5X12
31	08338600	1	CABLE HOLDER
32	08603668	2	SCREW THD FORM
33	146 1788 000	1	SCREW M4X12
[34]	9096962000	1	MACHINE HARNESS
[35]	909 6613 000	1	HARNESS VACUUM CLEANER
[36]	9096906000	1	BATTERY HARNESS
[37]	08812093	4	COVER, BATTERY TERMINAL
[38]	146 1986 000	1	CONNECTOR 120A



WIRING DIAGRAM  
 ADFINITY™ 20D / X20D / X20C / X24D  
 9096909000

COMPONENTS / COMPONENTI

BAT	24V BATTERIES	BATTERIE 24V	K1	KEY SWITCH	CHIAVE
C1	BATTERY CONNECTOR	CONNETTORE BATTERIE	M1	BRUSH MOTOR	MOTORE SPAZZOLA
C2	CHARGER CONNECTOR	CONNETTORE CARICABATTERIE	M2	VACUUM MOTOR	MOTORE ASPIRATORE
CH	BATTERY CHARGER (OPT)	CARICABATTERIE (OPT)	M3	DRIVE MOTOR	MOTORE TRAZIONE
CSC	CILINDRICAL DECK SECONDARY CONNECTOR	CONN. SECONDARIO TESTATA SPAZZ. CILINDRICHE	M4	WATER PUMP (OPT)	POMPA ACQUA (OPT)
EB1	CONTROL PANEL BOARD	SCHEDA ELETTRONICA CONTROLLO FUNZIONI	M5	DETERGENT PUMP (OPT)	POMPA DETERGENTE (OPT)
EB2	DRIVE ELECTRONIC BOARD	SCHEDA ELETTRONICA TRAZIONE	RV2	MAX SPEED POTENTIOMETER	POTENZIOMETRO VELOCITA' MASSIMA
ES1	BRUSH MOTOR ELECTROM. SWITCH	TELERUTTORE MOTORI SPAZZOLE	SW1	BRUSHES / DRIVE MICROSWITCH	MICROINTERR. CONSENSO SPAZZOLE/TRAZIONE
ES2	VACUUM MOTOR ELECTROM. SWITCH	RELE' ASPIRATORE	SW2	REV. GEAR MICROSWITCH	MICROINTERR. MARCIA INDIETRO
EV1	ELECTROVALVE	ELETTROVALVOLA			
F1	BRUSH DECK FUSE	FUSIBILE TESTATA SPAZZOLE			
F2	VACUUM MOTOR FUSE	FUSIBILE ASPIRATORE			
F3	DRIVE SYSTEM FUSE	FUSIBILE SISTEMA DI TRAZIONE			
F4	LOW POWER CIRCUIT FUSE	FUSIBILE CIRCUITI DI SEGNALE			
F5	BRUSH RELEASE FUSE	FUSIBILE SGANCIO SPAZZOLE			
F6	PUMP FUSE	FUSIBILE POMPE			
HM	HOURMETER (OPT)	CONTAORE (OPT)			

Adfinity™ 20D Ref. No.	Adfinity™ X20D Ref. No.	Adfinity™ X20C Ref. No.	Adfinity™ X24D Ref. No.	Qty	Description
<b>SOLUTION TANK</b>					
909 6671 000	909 6671 000	909 6671 000	909 6671 000	1	SPONGE FRESH WATER INLET
909 6521 000	909 6521 000	909 6521 000	909 6521 000	1	SOLUTION HOSE
08812457	08812457	08812457	08812457	1	TANK LOCKING CAP
909 6554 000	909 6554 000	909 6554 000	909 6554 000	1	SOLUTION CAP WITH CHAIN AND GASKET
909 6534 000	909 6534 000	909 6534 000	909 6534 000	1	SQUEEGEE LIFTING CABLE
909 6874 000	909 6874 000	909 6874 000	909 6874 000	1	TANK CABLE KIT
909 6875 000	909 6875 000	909 6875 000	909 6875 000	1	SOLUTION TANK HARDWARE KIT
<b>VACUUM / RECOVERY SYSTEM</b>					
909 6230 000	909 6230 000	909 6230 000	909 6230 000	1	VACUUM HOSE
909 6528 000	909 6528 000	909 6528 000	909 6528 000	1	DRAIN HOSE
56324497	56324497	56324497	56324497	1	CAGE, FLOAT COMPLETE
56391690	56391690	56391690	56391690	1	FLOATING BALL
08812968	08812968	08812968	08812968	1	GASKET
145 0543 000	145 0543 000	145 0543 000	145 0543 000	2	CLAMP
909 6899 000	909 6899 000	909 6899 000	909 6899 000	1	CAP FOR TANK COVER
909 6640 000	909 6640 000	909 6640 000	909 6640 000	1	ANTI SPLASH SQUEEGEE HOSE
909 6802 000	909 6802 000	909 6802 000	909 6802 000	1	MOTOR VACUUM W/CONNECTOR KIT
909 5371 000	909 5371 000	909 5371 000	909 5371 000	2	CARBON BRUSHES FOR 1 VACUUM MOTOR
909 6491 000	909 6491 000	909 6491 000	909 6491 000	1	ACOUSTIC INSULATION PANEL
909 6489 000	909 6489 000	909 6489 000	909 6489 000	1	GASKET VACUUM MOTOR
909 6490 000	909 6490 000	909 6490 000	909 6490 000	1	GASKET VACUUM MOTOR
<b>CHASSIS SYSTEM</b>					
909 6879 000	909 6879 000	909 6879 000	909 6879 000	1	WHEEL REAR CASTOR SS KIT
<b>WHEELS AND TRACTION</b>					
909 6863 000	909 6863 000	909 6863 000	909 6863 000	2	WHEEL DRIVE DIAM 250 MM
909 6548 000	909 6548 000	909 6548 000	909 6548 000	1	MOTOR DRIVE 24V 200W
145 5124 000	145 5124 000	145 5124 000	145 5124 000	2	CARBON BRUSHES FOR 1 DRIVE MOTOR
<b>HANDLE ASSEMBLY</b>					
909 6881 000	909 6881 000	909 6881 000	909 6881 000	1	HANDLE ASSEMBLY HARDWARE KIT
56325664	56325664	56325664	56325664	1	CAM HANDLE MICROSWITCH
909 6544 000	909 6544 000	909 6544 000	909 6544 000	1	SPEED POTENTIOMETER
909 6677 000	909 6677 000	909 6677 000	909 6677 000	1	MICROSWITCH
<b>SOLUTION SYSTEM</b>					
9096994000	9096994000	9096994000	9096994000	1	VALVE ELBOW
909 5151 000	909 5151 000	909 5151 000	909 5151 000	1	FILTER COMPLETE KIT
9096996000	9096996000	9096996000	9096996000	1	HOSES KIT
909 6555 000	909 6555 000	909 6555 000	909 6555 000	1	SOLENOID VALVE 24V
909 6636 000	909 6636 000	909 6636 000	909 6636 000	1	ELBOW T REDUCING
909 6637 000	909 6637 000	909 6637 000	909 6637 000	1	HOLDER RUBBER 90°

**RECOMMENDED SPARE PARTS**

**2007-01**

**38**

**Adfinity™ 20D / X20D / X20C / X24D**

Adfinity™ 20D Ref. No.	Adfinity™ X20D Ref. No.	Adfinity™ X20C Ref. No.	Adfinity™ X24D Ref. No.	Qty	Description
<b>SQUEEGEE SYSTEM</b>					
909 6055 000	909 6055 000	909 6055 000		2	STRAP FRONT
			08603831	2	STRAP FRONT
909 6044 000	909 6044 000	909 6044 000		1	WELDMENT SQUEEGEE TOOL
			909 5294 000	1	WELDMENT SQUEEGEE TOOL
08603675	08603675	08603675	08603675	2	NUT THUMB SQUEEGEE FIXING
909 6551 000	909 6551 000	909 6551 000		1	KNOB M8X30 SS
909 6484 000	909 6484 000	909 6484 000		1	BLADE REAR
			08603832	1	BLADE REAR
909 6483 000	909 6483 000	909 6483 000		1	BLADE FRONT
			08603830	1	BLADE FRONT
			909 5629 000	1	BLADE FRONT NON MARKING
909 6851 000	909 6851 000	909 6851 000		1	SQUEEGEE KIT
			909 5372 000	1	SQUEEGEE KIT
909 6882 000	909 6882 000	909 6882 000		1	HARDWARE SQUEEGEE FIXING KIT
			909 6894 000	1	HARDWARE SQUEEGEE FIXING KIT
909 6883 000	909 6883 000	909 6883 000		1	WHEEL SQUEEGEE KIT
			08603879	1	WHEEL SQUEEGEE KIT
909 6884 000	909 6884 000	909 6884 000		1	ROLLER BUMPER SQUEEGEE KIT
			08603880	1	ROLLER BUMPER SQUEEGEE KIT
909 6394 000	909 6394 000	909 6394 000	909 6394 000	1	LATCH SQUEEGEE KIT
909 6885 000	909 6885 000	909 6885 000		1	HARDWARE FIXING KIT
			909 6886 000	1	HARDWARE FIXING KIT
<b>DISC SCRUB DECK</b>					
909 6042 000	909 6042 000			1	DECK BRUSH
909 6546 000	909 6546 000			1	REDUCTION GEARMOTOR CPL
909 5380 000	909 5380 000			1	CARBON BRUSH KIT
56325648	56325648			1	HOLDER RUBBER 1/4
56325602	56325602			1	VIBRATION DAMPING M8
145 8564 000	145 8564 000			2	PIN SPLIT 3X60
909 6514 000	909 6514 000			1	SPRING GAS
9097093000	9097093000			1	HOLDER POLYG. W/FLAGE KIT
909 6887 000	909 6887 000			1	ROLLER BUMPER KIT
909 6888 000	909 6888 000			1	HARDWARE BRUSH DECK KIT
<b>CYLINDRICAL BRUSH DECK</b>					
		145 4366 000		1	HOLDER RUBBER T DIAM 12MM
		909 5772 000		1	HOSE COPPER
		909 5805 000		1	CONTAINER DIRT
		909 5812 000		2	MOTOR ELECTRIC 400W 24V
		909 5877 000		8	CARBON BRUSH (4 PCS F/EACH MOTOR)
		909 5820 000		2	BELT POLY-V
		909 5870 000		1	HOSE DIAM 10 L.190 MM
		909 6889 000		1	ROLLER BUMPER KIT
		909 6890 000		1	SPLASH GUARD KIT
		909 6360 000		1	BELT TENSIONER KIT
<b>DOUBLE DISK SCRUB DECK</b>					

Adfinity™ 20D Ref. No.	Adfinity™ X20D Ref. No.	Adfinity™ X20C Ref. No.	Adfinity™ X24D Ref. No.	Qty	Description
			145 8564 000	1	PIN SPLIT 3X60
			909 6727 000	2	BRUSH MOTOR 24V 350W 230RPM IP20
			909 9893 000	1	CARBON BRUSH KIT
			9097092000	1	HOLDER POLYG. W/FLAGE LEFT KIT
			08812589	1	HOLDER POLYG. W/FLAGE RIGHT KIT
			909 5398 000	1	SPLASH GUARD FIXING KIT
			909 6891 000	1	HOSE WATER BRUSH DECK KIT
			909 5894 000	1	ROLLER BUMPER KIT
					<b>COVER PANEL</b>
08812967	08812967	08812967	08812967	1	CLAMP, HOSE DIAM. 50MM
146 2888 000	146 2888 000	146 2888 000	146 2888 000	1	SWITCH KEY WITH CAP
909 6499 000	909 6499 000	909 6499 000	909 6499 000	1	CARD ELECTRONIC CONTROL PANEL
145 8368 000	145 8368 000	145 8368 000	145 8368 000	2	FUSE 3A (PCB FUNCTIONS - PUMP)
909 6678 000	909 6678 000	909 6678 000	909 6678 000	1	FUSE 20A (CLICK ON/OFF BRUSH)
9097001000				1	DECAL CONTROL PANEL
	9097002000	9097002000	9097002000	1	DECAL CONTROL PANEL
					<b>ELECTRICAL SYSTEM</b>
9096908000	9096908000	9096908000	9096908000	1	CARD ELECTRONIC TRACTION
146 1986 000	146 1986 000	146 1986 000	146 1986 000	1	CONNECTOR BATTERY
909 5127 000	909 5127 000	909 5127 000	909 5127 000	1	ELECTROMAGNETIC SWITCH 24V
909 6622 000	909 6622 000	909 6622 000	909 6622 000	1	RELAY 24V 40A (VACUUM CONTACTOR)
145 3824 000	145 3824 000	145 3824 000	145 3824 000	1	FUSE STRIP 40A (BRUSH MOTOR)
145 8513 000	145 8513 000	145 8513 000	145 8513 000	2	FUSE BLADE 30A ( VACUUM - DRIVE MOTOR)
909 6541 000	909 6541 000	909 6541 000	909 6541 000	1	BATTERY CHARGER 24V 13A 230V
					<b>APX - CHEMICAL SYSTEM</b>
	909 6744 000	909 6744 000	909 6744 000	1	APX - ECO DOSAGE SOLUTION KIT
	909 6807 000	909 6807 000	909 6807 000	1	HOSE KIT
	909 6637 000	909 6637 000	909 6637 000	1	BARB
	56315108	56315108	56315108	1	FLOWJET WATER PUMP
	56315502	56315502	56315502	1	CHEMICAL TANK
	56315517	56315517	56315517	1	REFILLING CAP
	56315522	56315522	56315522	1	CHECK VALVE
	56315523	56315523	56315523	1	CAP
	56315527	56315527	56315527	1	FLOATING SENSOR
	08603893	08603893	08603893	1	KIT NET FILTER WITH GASKET
	909 5151 000	909 5151 000	909 5151 000	1	KIT, FILTER
	909 6183 000	909 6183 000	909 6183 000	1	CHEMICAL PUMP
	909 6536 000	909 6536 000	909 6536 000	1	TEE FITTING

**OPTIONALS**

**2007-01**

**40**

**Adfinity™ 20D / X20D / X20C / X24D**

Adfinity™ 20D	Adfinity™ X20D	Adfinity™ X20C	Adfinity™ X24D	Qty	Description
Ref. No.	Ref. No.	Ref. No.	Ref. No.		
9096916000	9096916000	9096916000	9096916000	1	FILTER, SOLUTION TANK
909 5327 000	909 5327 000	909 5327 000	909 5327 000	1	FILLING HOSE
9096951000	9096951000	9096951000	9096951000	1	HOUR COUNTER 24V KIT
909 6734 000	909 6734 000	909 6734 000	909 6734 000	1	BAND RUBBER KIT
909 6900 000	909 6900 000	909 6900 000	909 6900 000	1	WHEEL CASTOR SS
909 6848 000	909 6848 000			1	BRUSH DECK KIT
56325504	56325504			1	BRUSHES - PROLENE
08837026	08837026			1	BRUSHES - PROLITE
08837027	08837027			1	BRUSHES - UNION MIX
08837028	08837028			1	BRUSHES - MIDLITE GRIT
08837029	08837029			1	BRUSHES - MID GRIT 240
08837065	08837065			1	BRUSHES - MAGNA GRIT 46
08837066	08837066			1	BRUSHES - DYNA GRIT 80
08837067	08837067			1	BRUSHES - AGLITE GRIT 500
56325502	56325502			1	BRUSHES - PAD DRIVER KIT
		909 6849 000		1	BRUSH DECK KIT
		909 5823 000		1	BRUSH CYL PROLITE
		909 5824 000		1	BRUSH CYL PROLITE PLUS
		909 5825 000		1	BRUSH CYL MIDLITE GRIT 180
			909 6850 000	1	BRUSH DECK KIT
			08603842	1	BRUSHES - PROLENE
			08603873	1	BRUSHES - MIDGRIT 240
			08603872	1	BRUSHES - MIDLITE GRIT 180
			08603874	1	BRUSHES - PROLITE
			08603875	1	BRUSHES - UNION MIX
			08603939	1	BRUSHES - PAD DRIVER KIT
08603878	08603878	08603878		1	SQUEEGEE KIT COMPLETE
909 6851 000	909 6851 000	909 6851 000		1	SQUEEGEE KIT COMPLETE ALUMINIUM
909 6483 000	909 6483 000	909 6483 000		1	BLADE FRONT FOR ALU SQUEEGEE
909 6484 000	909 6484 000	909 6484 000		1	BLADE REAR FOR ALU SQUEEGEE
909 6860 000	909 6860 000	909 6860 000		1	BLADES STD KIT FOR ALU SQUEEGEE
909 6858 000	909 6858 000	909 6858 000		1	BLADES POLYURET. KIT FOR ALU SQUEEGEE
			909 5372 000	1	SQUEEGEE KIT COMPLETE 32" (810MM)
			08603830	1	BLADE FRONT STD FOR SQUEEGEE 32"
			08603832	1	BLADE REAR STD FOR SQUEEGEE 32"
			909 5006 000	1	WEAR PACK: STD SQUEEGEE BLADES, SOLUTION FILTER, PREFILTER
			909 6859 000	1	BLADE POLYURET. KIT F/SQUEEGEE 32"
			909 5629 000	1	BLADE FRONT NON MARKING
			909 6738 000	1	PRESSURE EXTRA BRUSH KIT





**Nilfisk-Advance, Inc.**

14600 21st Avenue North  
Plymouth, MN, 55447-3408  
[www.nilfisk-advance.com](http://www.nilfisk-advance.com)

Phone: 800-989-2235

Fax: 800-989-6566

©2006 Nilfisk-Advance, Inc.,  
Plymouth, MN 55447-3408

Printed in Italy