



## Electronic Service Manuals

This electronic document is provided as a service to our customers. We do not create the contents of the information contained in this document. Should you have detailed questions pertaining to the information contained in this document, you may contact Michco, or the manufacturer which provided the original information in this electronic deliverable. Michco's only part in this electronic deliverable was the electronic assembly process. By providing this manual on line we are not guaranteeing parts availability.

You may contact Michco through the following methods:

Phone (517) 484-9312 or (800) 331-3339

2011 N. High St. -- Lansing, Michigan -- 48906

Fax: (517) 484-9836

Email: [CustServe@Michco.com](mailto:CustServe@Michco.com)

Web site: [www.Michco.Com](http://www.Michco.Com)

Parts Web site: [www.FloorMachineParts.Com](http://www.FloorMachineParts.Com)

Order Parts on Line at:

**[www.FloorMachineParts.Com](http://www.FloorMachineParts.Com)**

Directly to Parts & Service:

By Email: **[Shop@Michco.com](mailto:Shop@Michco.com)**

By Fax: (517) 702-2041

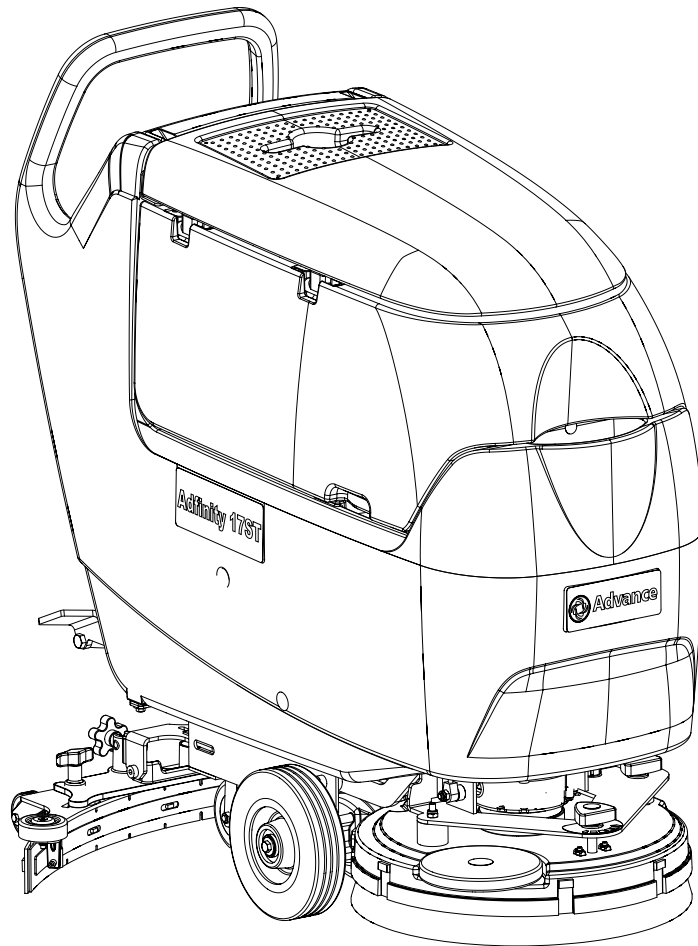
By Voice: Use numbers above.

**Serving the Cleaning Industry Since 1922**

Notice: All copyrighted material remains property of original owners, all trademarks are property of respective owners. Manuals are subject to Manufacturer's reproduction limitations. Originals or reproductions were provided by manufacturers through a request. We make no warranty as to the correctness of information provided in this document and you assume all risk. By placing these manuals on line we are not declaring our corporation to be an manufacturer authorized dealer or provider, please check our web site for authorized manufacturers we represent.

# Adfinity™ 17ST / 20ST

---



## PARTS LIST

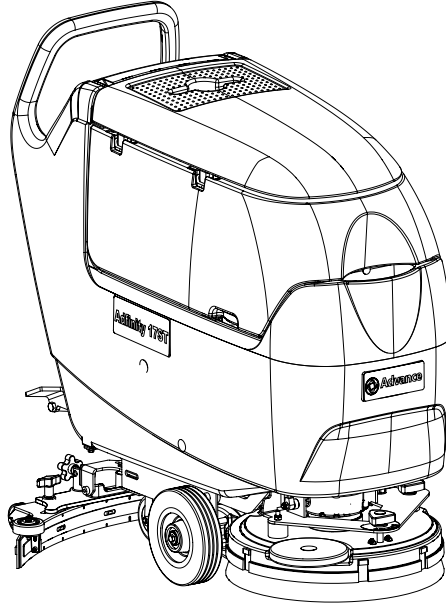
Advance models: 9L08 7161 020  
9L08 7162 020



**Advance**  
by Nilfisk-Advance

9096913000(2)2007-09





## DESCRIPTION

## PLAN

GENERAL VIEW	2 - 3
SOLUTION TANK	4 - 5
RECOVERY TANK	6 - 7
CHASSIS SYSTEM	8 - 9
WHEELS SYSTEM	10 - 11
SOLUTION SYSTEM	12 - 13
SQUEEGEE SYSTEM	14 - 15
BRUSH SYSTEM ADFINITY 17ST	16 - 17
BRUSH SYSTEM ADFINITY 20ST	18 - 19
SPLASH GUARD	20 - 21
ACCESSORIES	22 - 25
CONTROL PANEL SYSTEM	26 - 27
ELECTRICAL COMPONENTS	28 - 29
WIRING DIAGRAM	30
RECOMMENDED SPARE PARTS	31 - 32
OPTIONAL	33

### WHEN ORDERING PARTS

- \* Use the 8, 9 or 10 digit numbers from the "Ref. No." columns in this parts list.
- \* Specify the model and serial number of the machine.
- \* Use the space below to record the model and serial number for future reference.

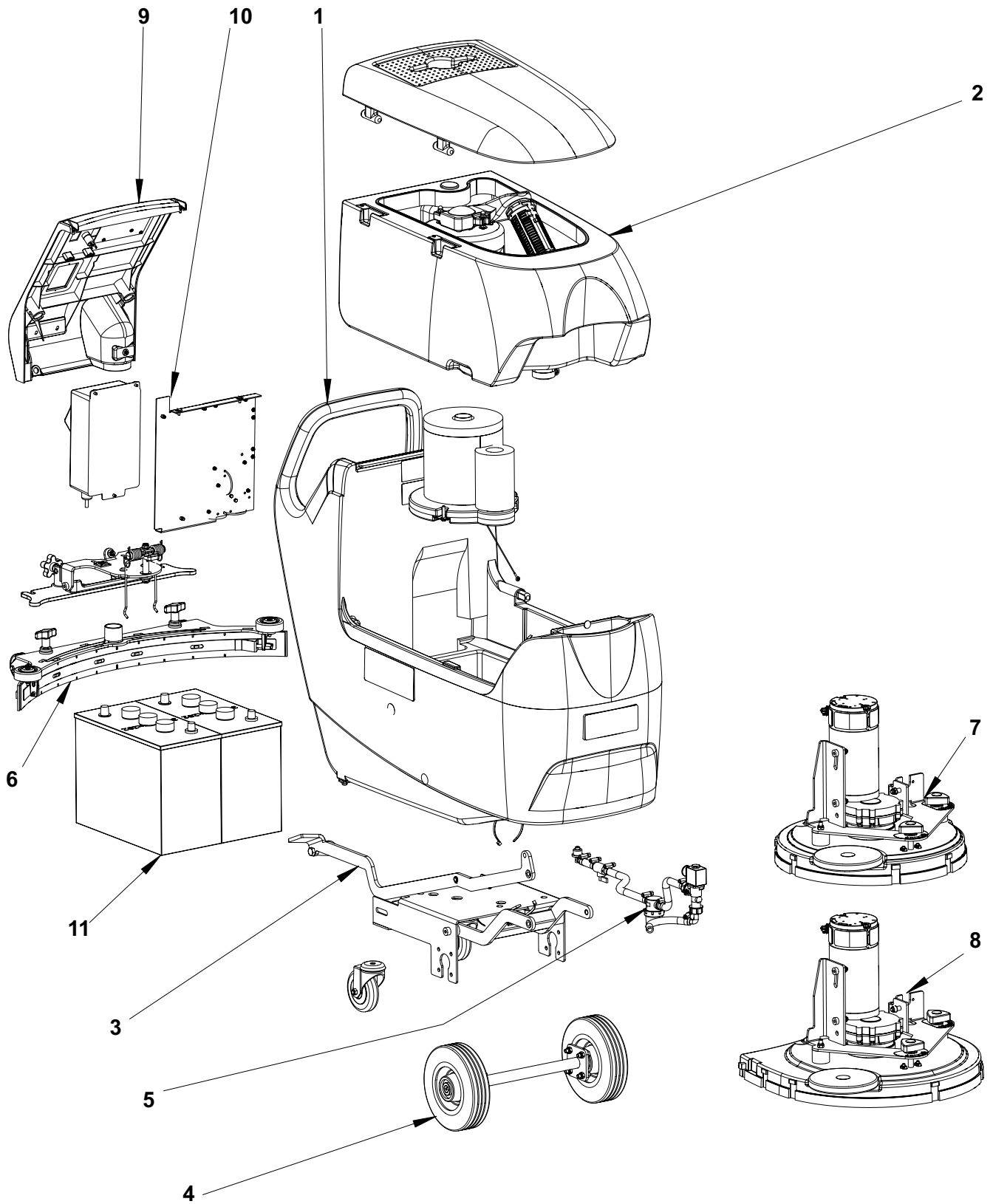
Model \_\_\_\_\_ Serial No. \_\_\_\_\_

**\* = Optional**

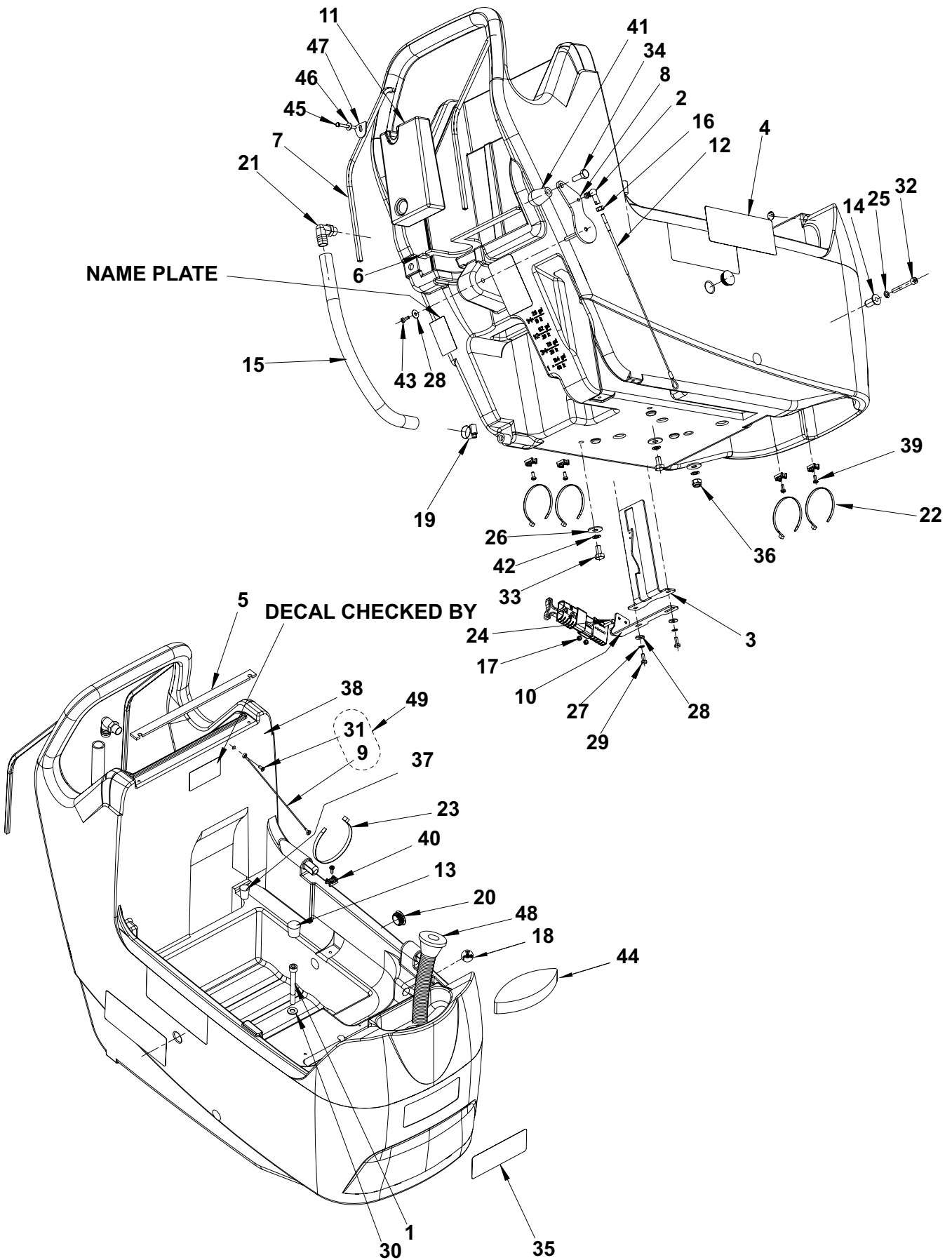
**# = Modified item No. or New item No.**

**[] = Not shown**

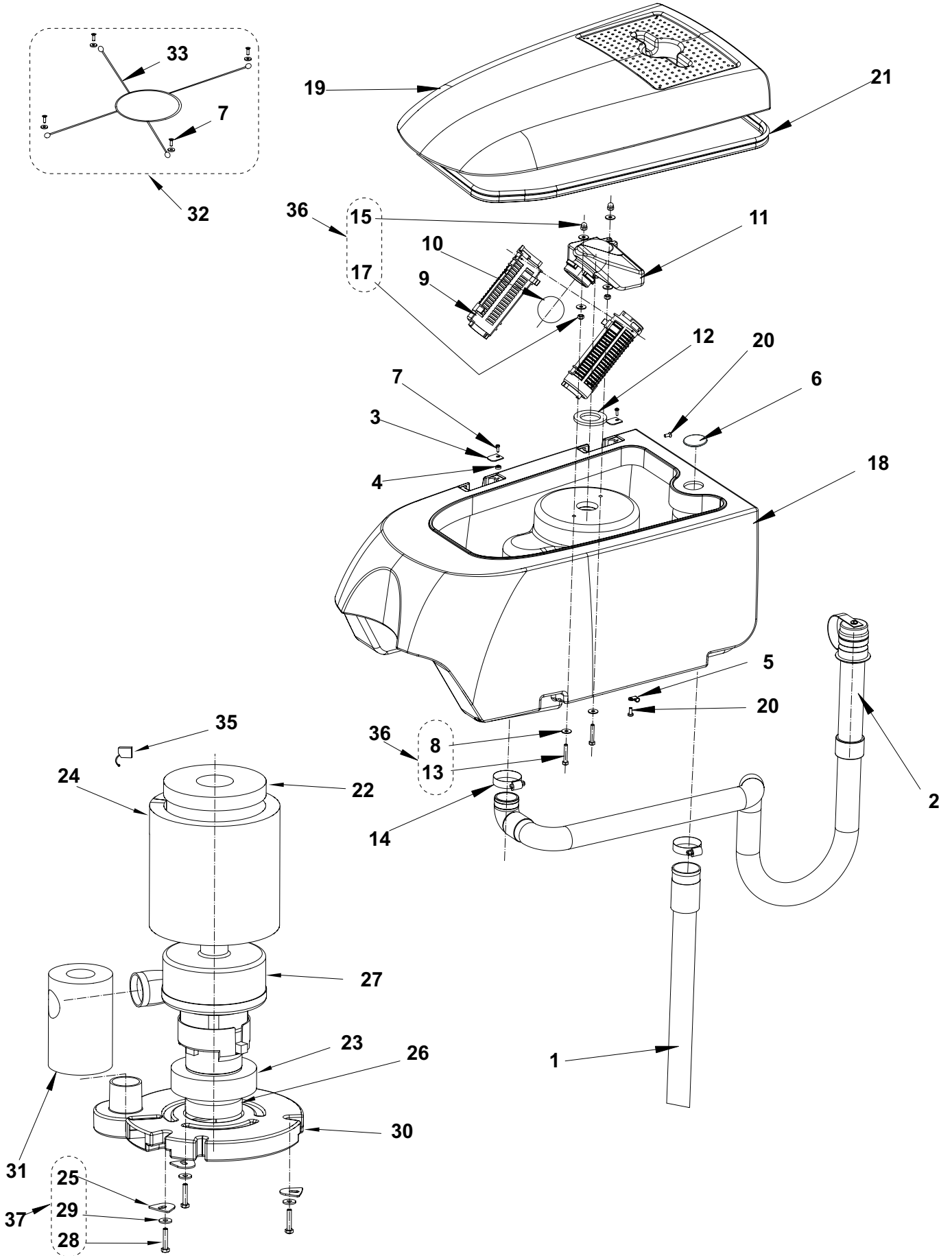
**xxxxxx = Contained in a Kit**



Item No.	Ref. No.	Qty	Description
1		1	SOLUTION TANK
2		1	RECOVERY TANK
3		1	CHASSIS SYSTEM
4		1	WHEELS SYSTEM
5		1	SOLUTION SYSTEM
6		1	SQUEEGEE SYSTEM
7		1	BRUSH SYSTEM ADFINITY 17ST
8		1	BRUSH SYSTEM ADFINITY 20ST
9		1	CONTROL PANEL SYSTEM
10		1	ELECTRICAL COMPONENTS
11		1	BATTERY ASSEMBLY



Item No.	Ref. No.	Qty	Description
1	xxxxxxxxxx	1	SCREW M10X90 (SEE HARDWARE TANK SYSTEM KIT)
2	145 8479 000	1	DOWEL M6
3	909 6550 000	1	PEDAL SUPPORT
4	909 6864 000	2	DECAL ADVANCE ADFINITY 17ST
4	909 6865 000	2	DECAL ADVANCE ADFINITY 20ST
5	909 6596 000	1	GASKET
6	909 6597 000	1	GASKET
7#	909 6892 000	1	GASKET L=960MM
8	909 6633 000	1	SQUEEGE LIFTING LEVER
9	xxxxxxxxxx	1	CABLE TANK BLOCK (SEE CABLE TANK KIT)
10	909 6649 000	1	BRACKET CONNECTOR SUPPORT
11	909 6841 000	1	WEIGHT
12	909 6662 000	1	SQUEEGEE LIFTING CABLE
13	909 6673 000	1	CAP BLACK
14	xxx xxxx xxx	1	BUSHING (SEE HARDWARE TANK SYSTEM KIT)
15	909 6681 000	1	SOLUTION HOSE
16	33005502	1	NUT HEX M6
17	xxxxxxxxxx	2	NUT HEX SELF LOCK M5 (SEE HARDWARE TANK SYSTEM KIT)
18#	L08603795	1	DECAL WATER FAUCET
19#	L08603916	1	CLAMP
20#	L08812457	2	TANK LOCKING CAP
21	56264442	1	FITTING PIPE
22#	145 0524 000	3	PASSRING
23#	145 0541 000	1	CLAMP
24	33003964	2	SCREW HEX HD M5X25
25	xxxxxxxxxx	1	WASHER SPLIT 8 (SEE HARDWARE TANK SYSTEM KIT)
26	xxxxxxxxxx	3	WASHER FLAT 10X30 SS (SEE HARDWARE TANK SYSTEM KIT)
27#	xxxxxxxxxx	3	WASHER SPLIT 6 (SEE HARDWARE TANK SYSTEM KIT)
28	xxxxxxxxxx	3	WASHER FLAT 6X18 (SEE HARDWARE TANK SYSTEM KIT)
29	xxxxxxxxxx	2	SCREW HEX. HD M6X16 (SEE HARDWARE TANK SYSTEM KIT)
30	xxxxxxxxxx	1	WASHER FLAT (SEE HARDWARE TANK SYSTEM KIT)
31#	xxxxxxxxxx	1	SCREW HEX HD 5X12 (SEE CABLE TANK KIT)
32	xxxxxxxxxx	1	SCREW M8X60 (SEE HARDWARE TANK SYSTEM KIT)
33	xxxxxxxxxx	2	SCREW HEX HD M10X20 SS (SEE HARDWARE TANK SYSTEM KIT)
34#	9097211000	1	SCREW M10X30 ISO7380
35	909 6872 000	1	RECTANGULAR ADVANCE DECAL
36#	xxxxxxxxxx	1	NUT HEX HIGH SELF LOCK M10 (SEE HARDWARE TANK SYSTEM KIT)
37	909 6236 000	1	BLACK CAP
38	909 6320 000	1	SOLUTION TANK 35L
39#	909 6337 000	4	SCREW CYL HD M5X12
40#	909 6595 000	4	FLAT TIE HOLDER
41	909 6621 000	1	KNOB
42	xxxxxxxxxx	3	WASHER (SEE HARDWARE TANK SYSTEM KIT)
43	xxxxxxxxxx	1	SCREW CYL HD M5X16 (SEE HARDWARE TANK SYSTEM KIT)
44	909 6650 000	1	SPONGE FOR WATER
45#	33004335	1	SCREW M5X50 UNI5931
46#	145 1261 000	1	WASHER 5X15X1,5 UNI6593
47	909 6638 000	1	PLATE VACUUM COVER
48*	<b>909 5327 000</b>	<b>1</b>	<b>FILLING HOSE</b>
49	909 6874 000	1	CABLE TANK KIT (9-31)
[50]	909 6875 000	1	HARDWARE TANK SYSTEM KIT (1,14,17,25,26,27, 28,29,30,32,33,36,42,43)



2007-01

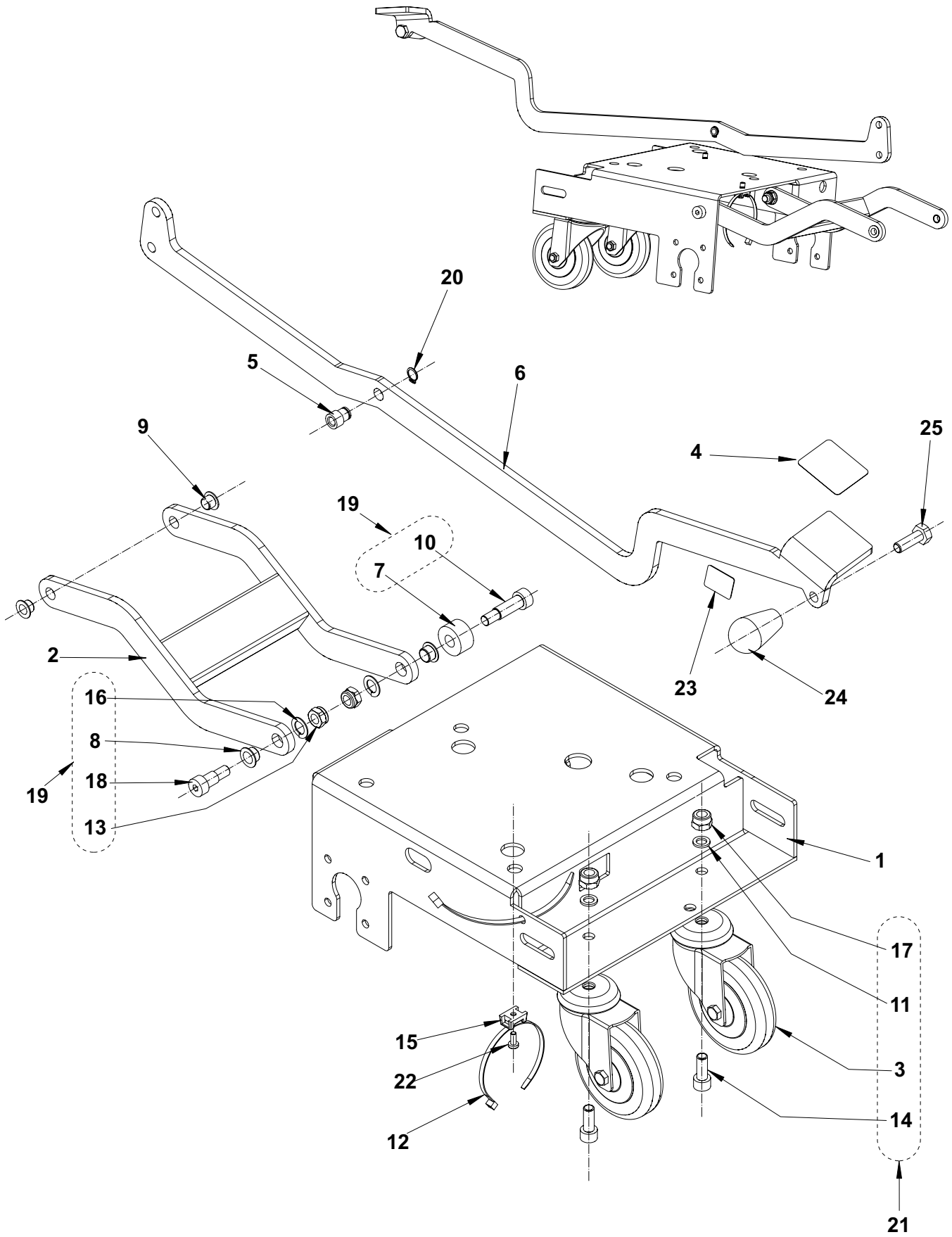
## RECOVERY TANK

2007-09

Adfinity™ 17ST / 20ST

7

Item No.	Ref. No.	Qty	Description
1	909 6230 000	1	HOSE SQUEEGEE VACUUM
2	909 6528 000	1	DRAIN HOSE
3	909 6643 000	2	PLATE TANK COVER
4	909 6679 000	1	BUSH FLANGED
5#	L08603845	1	CLAMP
6	909 6899 000	1	CAP TANK
7#	L08603668	6	SCREW CYL HD THD FORM M3,9X12
8	xxxxxxxxxx	6	WASHER FLAT 6X18 SS (SEE RECOVERY TANK HARDWARE KIT)
9	56324497	2	CAGE, FLOAT COMPLETE
10	56391690	1	FLOATING BALL
11#	L08812926	1	HOLDER FLOAT CAGE
12#	L08812968	1	GASKET
13	xxxxxxxxxx	2	SCREW HEX HD M6X40 SS (SEE RECOVERY TANK HARDWARE KIT)
14	145 0543 000	2	CLAMP
15	xxxxxxxxxx	2	BLIND NUT M6 SS (SEE RECOVERY TANK HARDWARE KIT)
17	xxxxxxxxxx	2	NUT HEX M6 SS (SEE RECOVERY TANK HARDWARE KIT)
18	909 6321 000	1	RECOVERY TANK 35L
19	909 6322 000	1	TANK COVER 35L
20#	909 6337 000	2	SCREW CYL HD M5X12
21	909 6901 000	1	GASKET L=1640MM
22	9096918000	1	GASKET VACUUM MOTOR
23	909 6490 000	1	GASKET VACUUM MOTOR
24	909 6491 000	1	ACOUSTIC INSULATION PANEL
25	xxxxxxxxxx	3	PLATE VACUUM COVER (SEE VACUUM MOTOR HARDWARE KIT)
26	909 6672 000	1	FILTER
27	909 6802 000	1	MOTOR VACUUM W/CONNECTOR KIT
28#	xxxxxxxxxx	3	SCREW HEX HD M6X30 (SEE VACUUM MOTOR HARDWARE KIT)
29	xxxxxxxxxx	3	WASHER FLAT 6X18 (SEE VACUUM MOTOR HARDWARE KIT)
30	909 6051 000	1	VACUUM MOTOR COVER
31	909 6442 000	1	ACOUSTIC INSULATION PIPE
<b>32*#</b>	<b>909 6734 000</b>	<b>1</b>	<b>RUBBER BAND KIT (7,33)</b>
33	xxxxxxxxxx	1	RUBBER BAND (SEE RUBBER BAND KIT)
35	909 5371 000	2	CARBON BRUSH
36	909 6876 000	1	RECOVERY TANK HARDWARE KIT (8,13,15,17)
37	909 6877 000	1	VACUUM MOTOR HARDWARE KIT (25,28,29)



2007-01

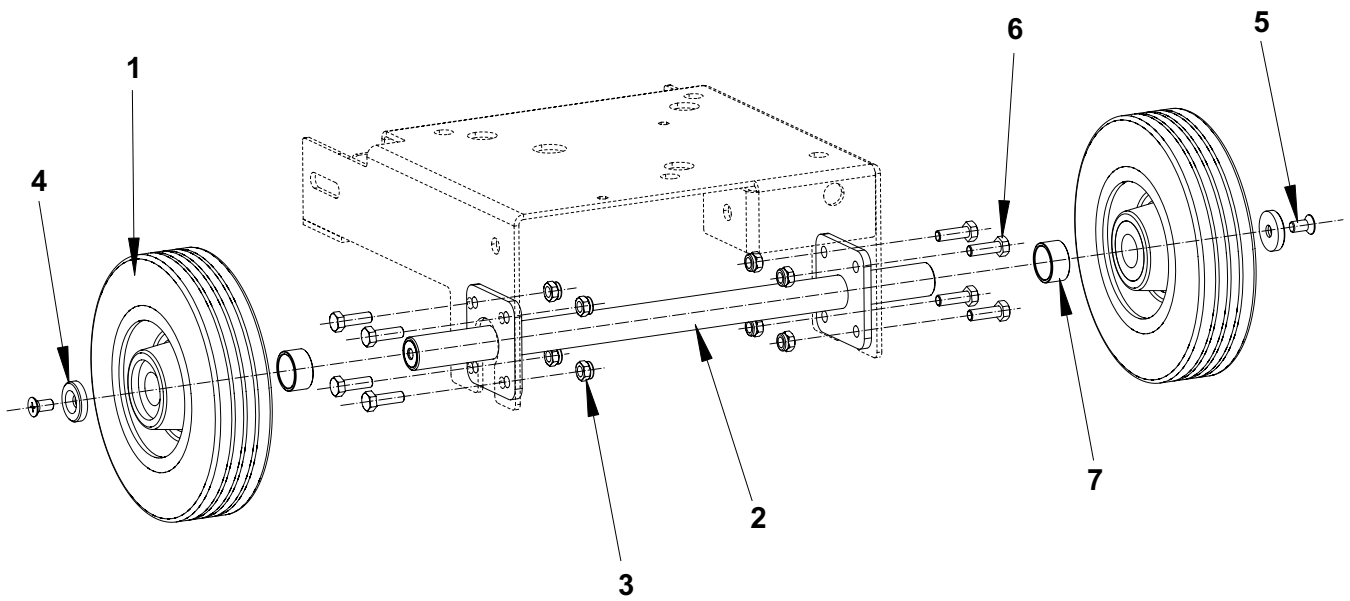
## CHASSIS SYSTEM

2007-09

Adfinity™ 17ST / 20ST

9

Item No.	Ref. No.	Qty	Description
1	909 6482 000	1	CHASSIS 35LT
2	909 6486 000	1	LEVER BRUSH DECK LIFTING
3	xxx xxxx xxx	2	WHEEL CASTOR (SEE WHEEL REAR CASTOR KIT)
3*	<b>909 6900 000</b>	<b>2</b>	<b>WHEEL CASTOR SS</b>
4	909 6539 000	1	ANTISKID MAT
5	909 6540 000	1	BUSH FLANGED
6	909 6549 000	1	PEDAL BRUSH LIFTING
7	xxx xxxx xxx	1	SPACER D 12,2X30X16,5 (SEE CHASSIS SYSTEM HARDWARE KIT)
8	xxx xxxx xxx	2	BUSHING FLANGED (SEE CHASSIS SYSTEM HARDWARE KIT)
9#	909 6594 000	3	BUSH FLANGED
10	xxx xxxx xxx	1	SHOULDER BOLT M12X30 (SEE CHASSIS SYSTEM HARDWARE KIT)
11#	xxxxxxxx	2	WASHER FLAT M10 (SEE WHEEL REAR CASTOR KIT)
12#	145 0524 000	1	PASSRING
13	xxxxxxxx	2	NUT (SEE CHASSIS SYSTEM HARDWARE KIT)
14	xxxxxxxx	2	SCREW CYL HD M10X25 (SEE WHEEL REAR CASTOR KIT)
15	909 6595 000	1	FLAT TIE HOLDER
16	xxxxxxxx	2	WASHER (SEE CHASSIS SYSTEM HARDWARE KIT)
17	xxx xxxx xxx	2	NUT (SEE WHEEL REAR CASTOR KIT)
18	xxx xxxx xxx	1	SHOULDER BOLT M12X16 (SEE CHASSIS SYSTEM HARDWARE KIT)
19	909 6878 000	1	CHASSIS SYSTEM HARDWARE KIT (7,8,10,13,16,18)
20	33006051	1	RING D 12 UNI7435
21	909 6898 000	1	WHEEL REAR CASTOR KIT (3,11,14,17)
22	909 6337 000	1	SCREW CYL HD M5X12
23*	xxx xxxx xxx	1	EXTRA PRESSURE DECAL (SEE EXTRA PRESSURE KIT PAG.25)
24*	xxx xxxx xxx	1	KNOB (SEE EXTRA PRESSURE KIT PAG.25)
25*	xxxxxxxx	1	SCREW HEX HD M10X30 (SEE EXTRA PRESSURE KIT PAG.25)



2007-01

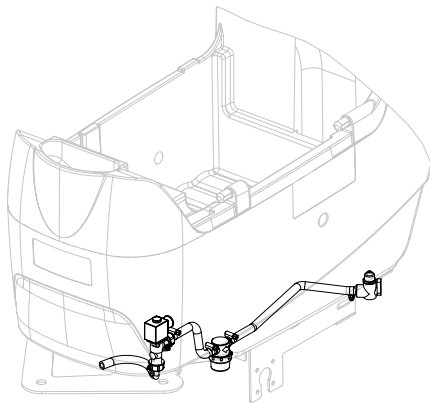
**WHEELS SYSTEM**

2007-09

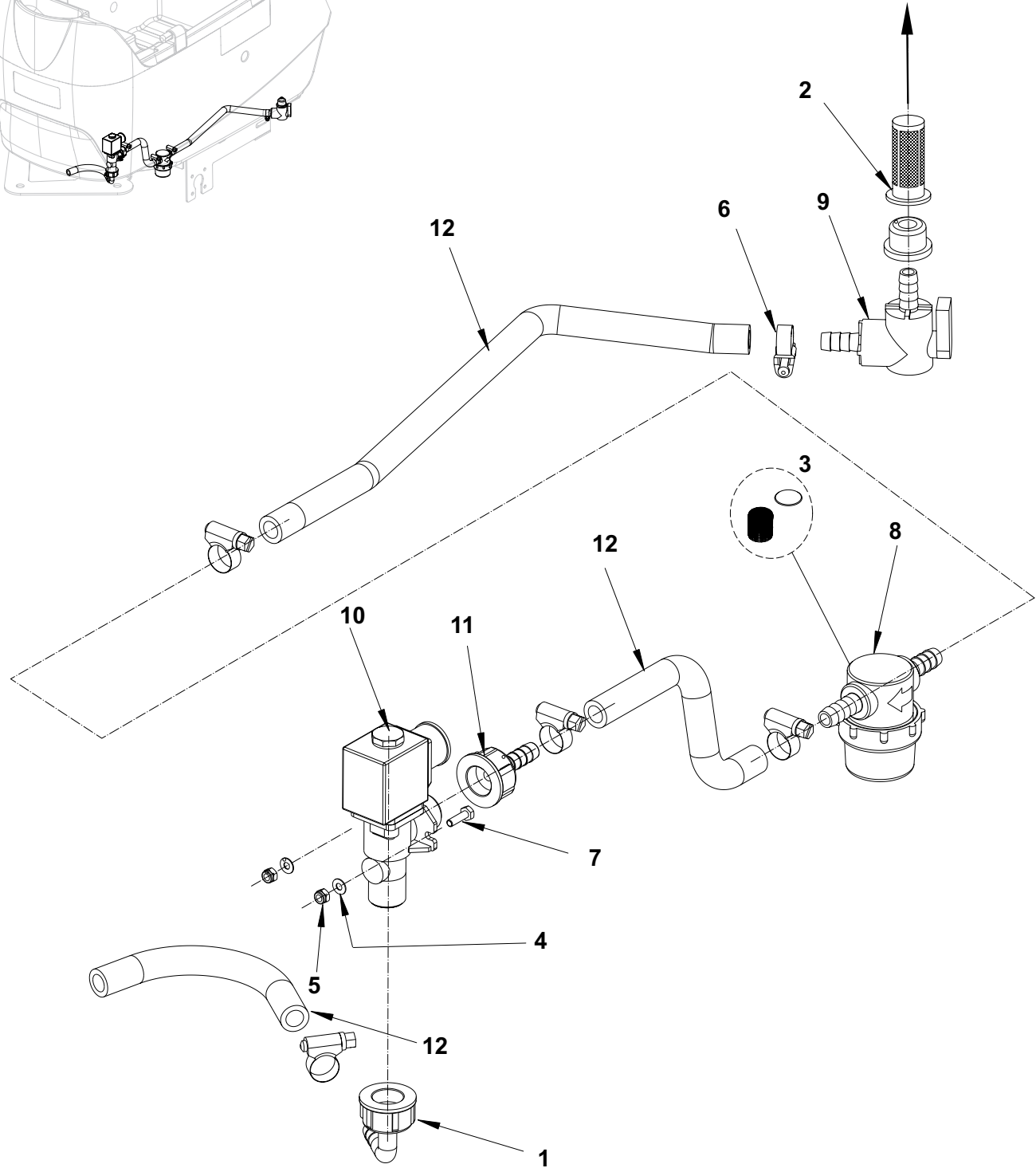
**Adfinity™ 17ST / 20ST**

11

Item No.	Ref. No.	Qty	Description
1	909 6507 000	2	WHEEL FRONT D.200
1*	<b>9097167000</b>	<b>2</b>	<b>WHEEL FRONT D.200 65SH</b>
2	909 6508 000	1	WHEELS SHAFT
3	33005607	8	NUT SELFLOCKING M8
4	56325580	2	SPACER
5	33004590	2	SCREW M8X16
6#	33005444	8	SCREW M8X20 UNI5739
7	909 6509 000	2	SPACER



INTO THE TANK



2007-01

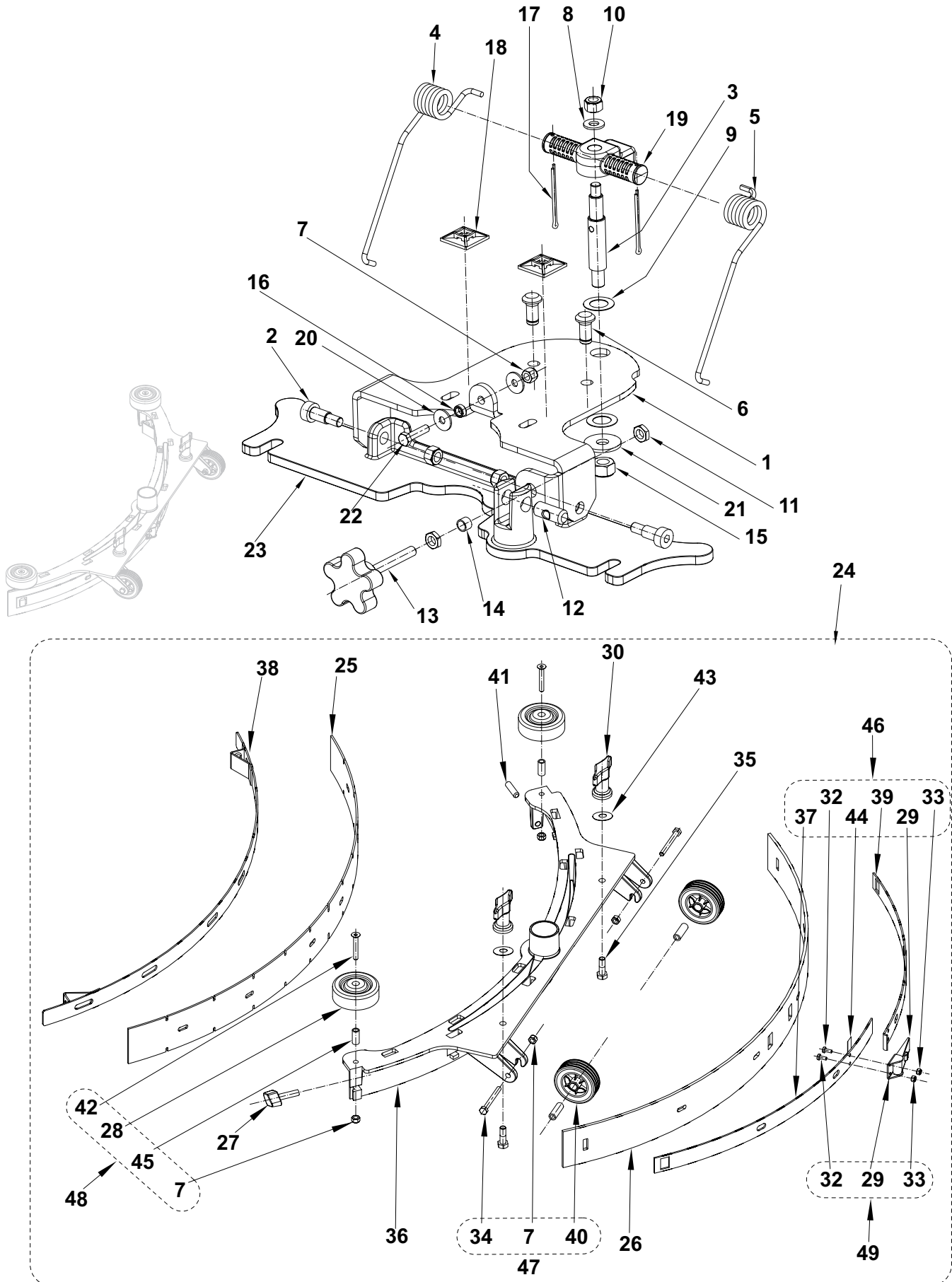
**SOLUTION SYSTEM**

2007-09

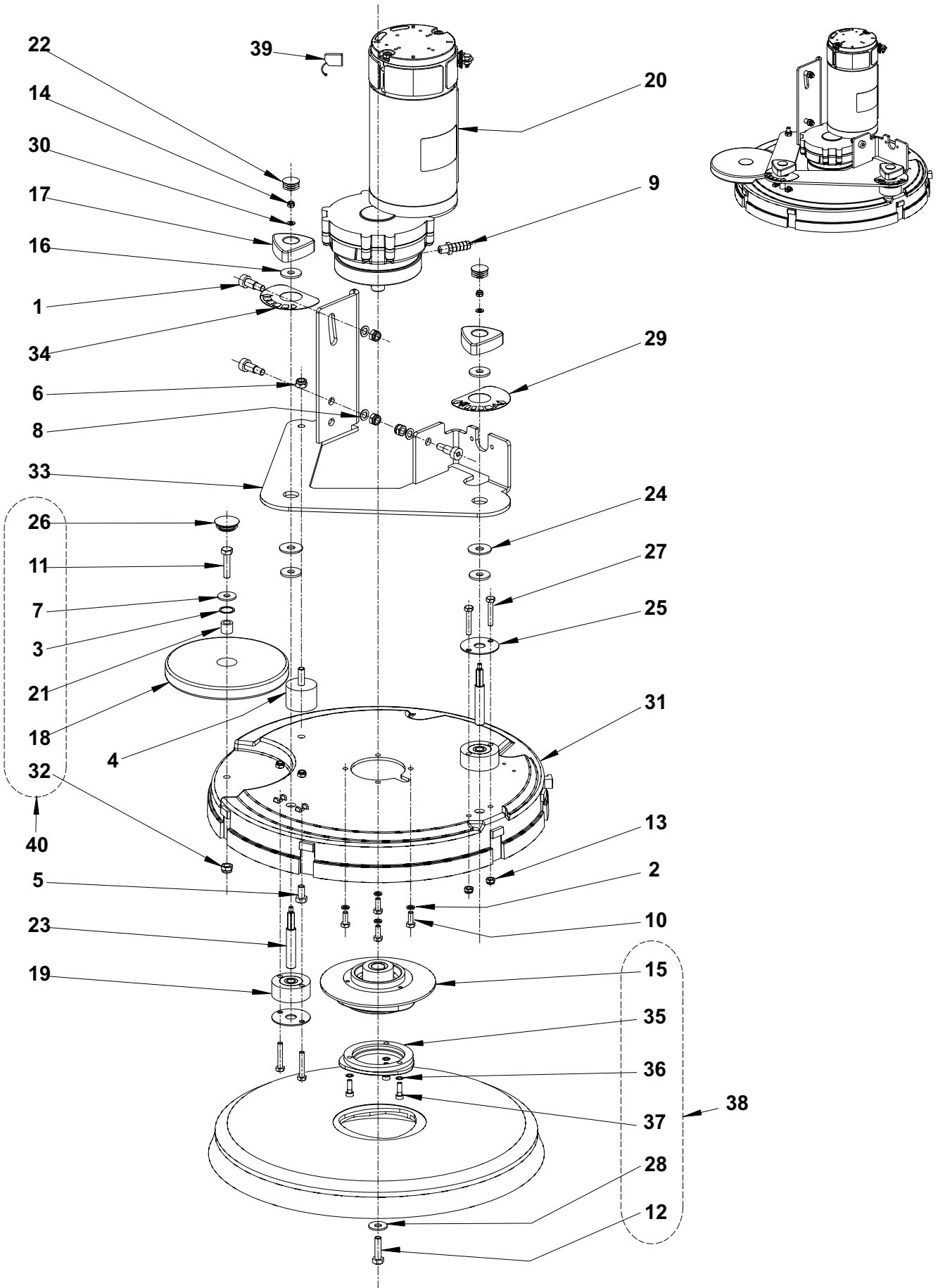
**Adfinity™ 17ST / 20ST****13**

Item No.	Ref. No.	Qty	Description
1	909 6637 000	1	HOLDER RUBBER 90°
<b>2*</b>	<b>9096916000</b>	<b>1</b>	<b>FILTER, SOLUTION TANK</b>
3A#	L08603893	1	NET FILTER WITH GASKET KIT
4	56325716	2	WASHER FLAT 4X9 SS
5#	L08603685	2	NUT HEX SELF LOCK M4 SS
6	145 8582 000	5	CLAMP
7	146 0497 000	2	SCREW HEX HD M4X14 SS
8A#	9097166000	1	FILTER COMPLETE KIT
9	9096994000	1	VALVE ELBOW (SEE VALVE ELBOW WITH PIPES KIT)
10	909 6555 000	1	SOLENOID VALVE 24V
11	909 6636 000	1	HOLDER RUBBER 1/2 FEMALE
12#	9096995000	1	VALVE ELBOW WITH PIPES KIT (9)

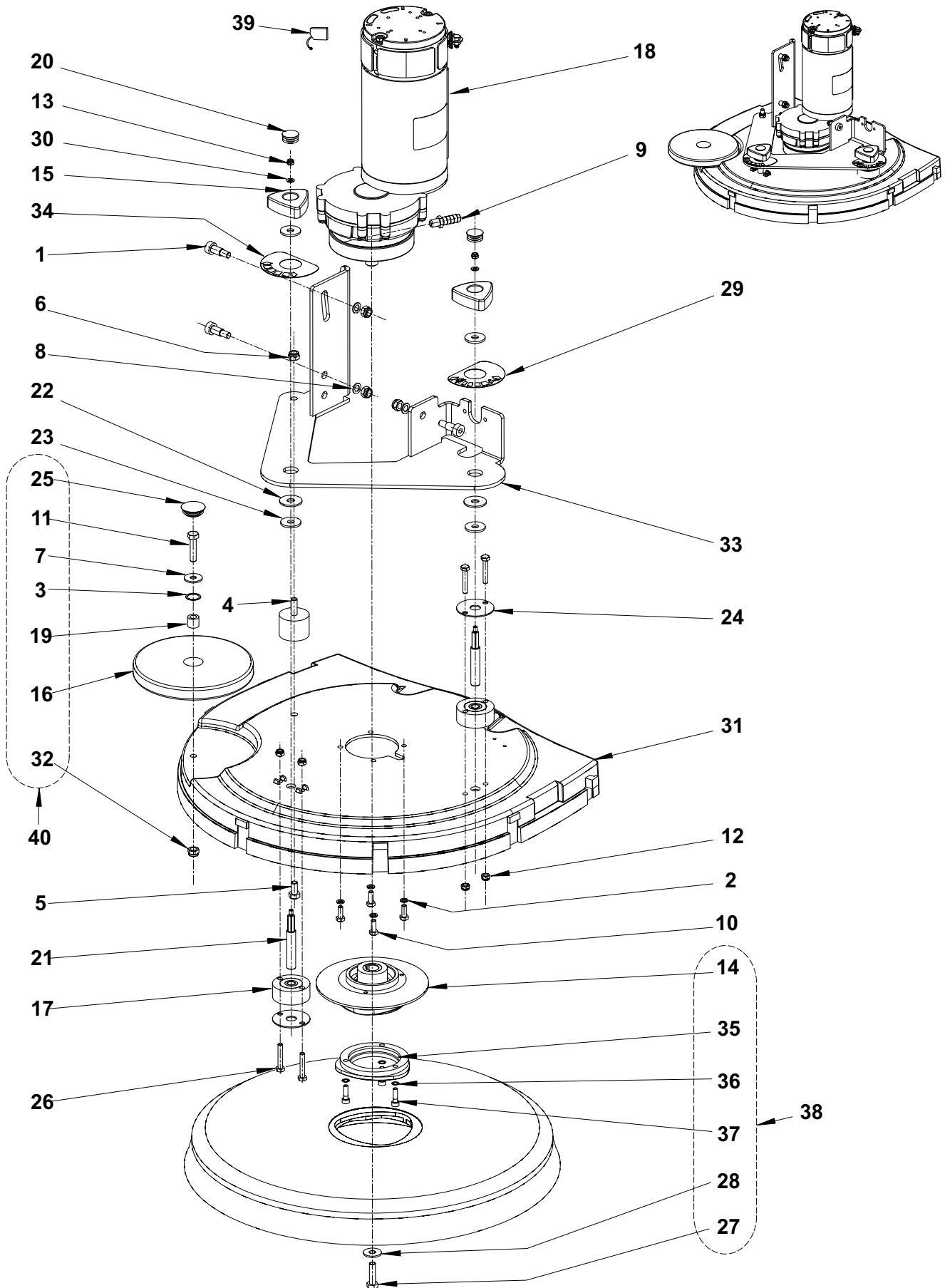
A: SEE TSB IT 2007-021



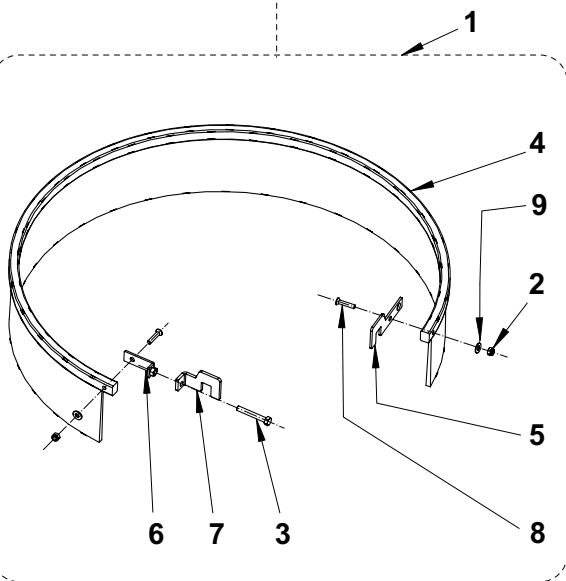
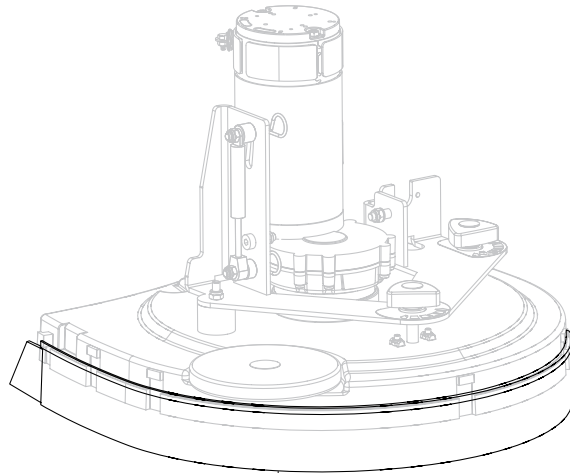
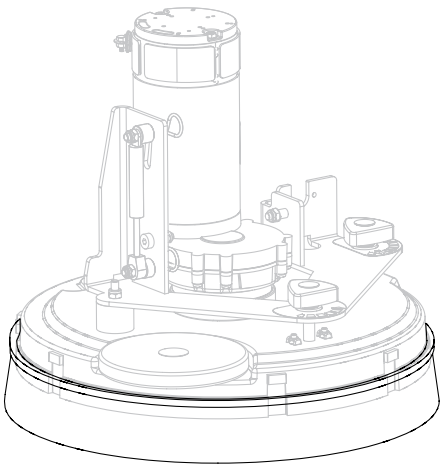
Item No.	Ref. No.	Qty	Description
1	909 6494 000	1	BRACKET, SQUEEGEE SUPPORT
2	xxxxxxxxxx	2	SHOULDER BOLT M10X16 (SEE HARDWARE FIXING KIT)
3	909 6497 000	1	PIN SQUEEGEE
4	909 6537 000	1	SPRING SQUEEGEE PUSHING
5	909 6538 000	1	SPRING SQUEEGEE PUSHING
6	909 6543 000	2	PIN SQUEEGEE FIXING
7#	xxxxxxxxxx	5	NUT HEX. SELFLOCK. M6 SS (SEE WHEEL SQUEEGEE KIT- HARDWARE FIXING KIT - ROLLER BUMPER SQUEEGEE KIT )
8	33005915	1	WASHER FLAT 8X17
9#	L08238300	2	WASHER 15X25
10	33005607	3	NUT SELFLOCKING M8
11	xxxxxxxxxx	2	NUT HEX LOW M8 (SEE HARDWARE FIXING KIT)
12	xxxxxxxxxx	1	SUPPORT PIN (SEE HARDWARE FIXING KIT)
13	xxxxxxxxxx	1	HANDWHEEL M8X55 (SEE HARDWARE FIXING KIT)
14	xxxxxxxxxx	1	SPACER Ø8XØ10X7 (SEE HARDWARE FIXING KIT)
15	33005608	1	NUT SELF L. M10 UNI7474
16	xxxxxxxxxx	1	SPACER 6.5X10X4.5 (SEE HARDWARE FIXING KIT)
17	33005758	2	SPLIT PIN
18	909 6635 000	2	HOLDER FLAT TIE
19	909 6052 000	1	SPRING SUPPORT
20	xxxxxxxxxx	1	WASHER FLAT 6X18 SS (SEE HARDWARE FIXING KIT)
21	56325568	1	WASHER FLAT 10X30
22	xxxxxxxxxx	1	SCREW HEX HD M6X25 SS (SEE HARDWARE FIXING KIT)
23	909 6045 000	1	SQUEEGEE SUPPORT
24	909 6851 000	1	SQUEEGEE CPL ALU KIT 30"
25	909 6483 000	1	BLADE NEOPRENE FRONT
26	909 6484 000	1	BLADE NEOPRENE REAR
27	909 6551 000	1	KNOB M8X30 SS
28	xxxxxxxxxx	2	ROLLER BUMPER (SEE ROLLER BUMPER SQUEEGEE KIT)
29	xxxxxxxxxx	1	LATCH FOR SQUEEGEE (SEE HARDWARE SQUEEGEE FIXING KIT AND LATCH SQUEEGEE KIT)
30#	L08603675	2	NUT THUMB SQUEEGEE FIXING
32	xxxxxxxxxx	2	SCREW M4X10 SS (SEE HARDWARE SQUEEGEE FIXING KIT AND LATCH SQUEEGEE KIT)
33	xxxxxxxxxx	2	NUT HEX SELF LOCK M4 SS (SEE HARDWARE SQUEEGEE FIXING KIT AND LATCH SQUEEGEE KIT)
34	xxxxxxxxxx	2	SCREW HEX HD M6X55 SS (SEE WHEEL SQUEEGEE KIT AND ROLLER BUMPER SQUEEGEE KIT)
35	909 5953 000	2	SCREW 5/16"X1" UNC
36	909 6044 000	1	WELDMENT SQUEEGEE TOOL
37	xxxxxxxxxx	1	STRAP, SQUEEGEE LEFT REAR (SEE HARDWARE SQUEEGEE FIXING KIT)
38	909 6055 000	1	STRAP, SQUEEGEE FRONT
39	xxxxxxxxxx	1	STRAP, SQUEEGEE RIGHT REAR (SEE HARDWARE SQUEEGEE FIXING KIT)
40	xxxxxxxxxx	2	SQUEEGEE WHEEL D.60 (SEE WHEEL SQUEEGEE KIT)
41	909 6600 000	1	DOWEL M8X30 SS
42	xxxxxxxxxx	2	SCREW M6X40 SS (SEE ROLLER BUMPER SQUEEGEE KIT)
43	909 6682 000	2	RUBBER WASHER
44	xxxxxxxxxx	1	RUBBER SPACER (SEE HARDWARE SQUEEGEE FIXING KIT)
45	xxxxxxxxxx	2	SPACER Ø6,3XØ9,5X21 (SEE ROLLER BUMPER SQUEEGEE KIT)
46	909 6882 000	1	HARDWARE SQUEEGEE FIXING KIT (29,32,33,37,39,44)
47	909 6883 000	1	WHEEL SQUEEGEE KIT (7,34,40)
48	909 6884 000	1	ROLLER BUMPER SQUEEGEE KIT (7,28,42,45)
49#	909 6394 000	1	LATCH SQUEEGEE KIT (29,32,33)
[50]#	909 6885 000	1	HARDWARE FIXING KIT (2,7,11,12,13,14,16,20,22)



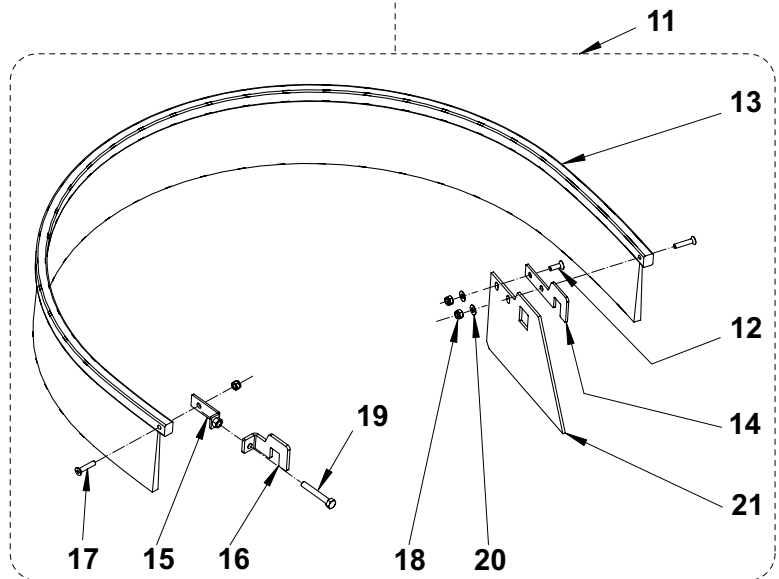
Item No.	Ref. No.	Qty	Description
1	909 6495 000	3	SHOULDER BOLT M10X16
2	145 0252 000	4	WASHER SS
3	xxxxxxxxxx	1	SPRING WASHER (SEE ROLLER BUMPER KIT)
4#	9097184000	1	VIBRATION DAMPING M8
5#	xxxxxxxxxx	1	SCREW HEX HD M8X12 SS
6	xxxxxxxxxx	4	NUT SELFLOCKING M8 (SEE HARDWARE BRUSH DECK KIT)
7	xxxxxxxxxx	1	WASHER 8X24 (SEE ROLLER BUMPER KIT)
8#	33005842	3	WASHER M8 UNI1751B
9	56325648	1	HOLDER RUBBER
10	145 9959 000	4	SCREW HEX HD M6X16 SS
11	xxxxxxxxxx	1	SCREW HEX HD M8X30 SS (SEE ROLLER BUMPER KIT)
12	xxxxxxxxxx	1	SCREW HEX HD M6X20 SS (SEE HOLDERPOLYG.W/FLAGE KIT AND BRUSH SYSTEM HW KIT)
13	xxxxxxxxxx	4	NUT HEX. SELFLOCK. M6 SS (SEE HARDWARE BRUSH DECK KIT)
14#	L08603688	2	NUT HEX. LOW SELF LOCK. M5 SS
15	xxxxxxxxxx	1	BRUSH HUB (SEE HOLDERPOLYG.W/FLAGE KIT)
16#	L08812719	4	WASHER FLAT 9X27
17	xxxxxxxxxx	2	KNOB (SEE HARDWARE BRUSH DECK KIT)
18	xxxxxxxxxx	1	BUMPER ROLLER (SEE ROLLER BUMPER KIT)
19#	L08812213	2	BUFFER
20	909 6546 000	1	REDUCTION GEARMOTOR CPL. 520W 24V
21	xxxxxxxxxx	1	SPACER (SEE ROLLER BUMPER KIT) (SEE HARDWARE BRUSH DECK KIT)
22	xxxxxxxxxx	2	CAP FOR KNOB (SEE HARDWARE BRUSH DECK KIT)
23	xxxxxxxxxx	2	PIN PLATE FIXING (SEE HARDWARE BRUSH DECK KIT)
24	xxxxxxxxxx	2	WASHER RUBBER 10X30X2 (SEE HARDWARE BRUSH DECK KIT)
25#	L08812779	2	PLATE VIBRATION DAMPING
26#	xxxxxxxxxx	1	CAP, BUMPER ROLLER (SEE ROLLER BUMPER KIT AND HARDWARE BRUSH DECK KIT)
27#	145 0245 000	4	SCREW M6X35 UNI5739
28	xxxxxxxxxx	1	WASHER FLAT 6X24 SS (SEE HOLDERPOLYG.W/FLAGE KIT)
29	909 6533 000	1	DECAL BRUSH ADJUSTING
30	xxxxxxxxxx	2	WASHER FLAT 5X10 SS (SEE HARDWARE BRUSH DECK KIT)
31	909 6043 000	1	BRUSH DECK 450MM/17"
32	xxxxxxxxxx	1	NUT HEX SELFLOCK M8 SS (SEE ROLLER BUMPER KIT)
33	909 6485 000	1	PLATE, DECK BRUSH HOLDER
34	909 6532 000	1	DECAL BRUSH ADJUSTING
35	xxxxxxxxxx	1	BRUSH HUB (SEE HOLDERPOLYG.W/FLAGE KIT)
36#	xxxxxxxxxx	3	WASHER M6 (SEE HOLDERPOLYG.W/FLAGE KIT)
37#	xxxxxxxxxx	3	SCREW M6X20 SS (SEE HOLDERPOLYG.W/FLAGE KIT)
38	9097093000	1	HOLDER POLYG.W/FLAGE KIT (12,15,28,35,36,37)
39	909 5380 000	1	CARBON BRUSH (4 PCS)
40	909 6887 000	1	ROLLER BUMPER KIT (3,7,11,18,21,26,32)
[41]	909 6888 000	1	HARDWARE BRUSH DECK KIT (5,6,12,13,17,20,21,22,23,24,26,30)



Item No.	Ref. No.	Qty	Description
1	909 6495 000	3	SHOULDER BOLT M10X16
2	145 0252 000	4	WASHER SS
3	xxxxxxxxxx	1	SPRING WASHER (SEE ROLLER BUMPER KIT)
4#	9097184000	1	VIBRATION DAMPING M8
5#	xxxxxxxxxx	1	SCREW HEX HD M8X12 SS
6	xxxxxxxxxx	4	NUT SELFLOCKING M8 (SEE HARDWARE BRUSH DECK KIT)
7	xxxxxxxxxx	1	WASHER 8X24 (SEE ROLLER BUMPER KIT)
8#	33005842	3	WASHER M8 UNI1751B
9#	L08601624	1	PIPE HOLDER
10	145 9959 000	4	SCREW HEX HD M6X16 SS
11	xxxxxxxxxx	1	SCREW HEX HD M8X30 SS (SEE ROLLER BUMPER KIT)
12	xxxxxxxxxx	4	NUT HEX. SELFLOCK. M6 SS (SEE HARDWARE BRUSH DECK KIT)
13	xxxxxxxxxx	2	NUT HEX. LOW SELF LOCK. M5 SS (SEE HARDWARE BRUSH DECK KIT)
14	xxxxxxxxxx	1	BRUSH HUB (SEE HOLDERPOLYG.W/FLAGE KIT)
15	xxxxxxxxxx	2	KNOB (SEE HARDWARE BRUSH DECK KIT)
16	xxxxxxxxxx	1	BUMPER ROLLER (SEE ROLLER BUMPER KIT)
17	xxxxxxxxxx	2	SPACER (SEE HARDWARE BRUSH DECK KIT)
18	909 6546 000	1	REDUCTION GEARMOTOR CPL.
19	xxxxxxxxxx	1	SPACER (SEE ROLLER BUMPER KIT)
20	xxxxxxxxxx	2	CAP FOR KNOB (SEE HARDWARE BRUSH DECK KIT)
21	xxxxxxxxxx	2	DOWEL BRUSH PLATE FIXING (SEE HARDWARE BRUSH DECK KIT)
22	xxxxxxxxxx	2	WASHER RUBBER 10X30X2 (SEE HARDWARE BRUSH DECK KIT)
23	xxxxxxxxxx	4	WASHER FLAT 9X27 (SEE HARDWARE BRUSH DECK KIT)
24	xxxxxxxxxx	2	VIBRATION DAMPING PLATE (SEE HARDWARE BRUSH DECK KIT)
25#	xxxxxxxxxx	1	CAP, BUMPER ROLLER (SEE ROLLER BUMPER KIT)
26	xxxxxxxxxx	4	SCREW HEX HD M6X35 SS (SEE HARDWARE BRUSH DECK KIT)
27	xxxxxxxxxx	1	SCREW HEX HD M6X20 SS (SEE HOLDERPOLYG.W/FLAGE KIT)
28	xxxxxxxxxx	1	WASHER FLAT 6X24 SS (SEE HOLDERPOLYG.W/FLAGE KIT)
29	909 6533 000	1	DECAL BRUSH ADJUSTING
30#	xxxxxxxxxx	4	WASHER M5 UNI6592 (SEE HARDWARE BRUSH DECK KIT)
31	909 6042 000	1	BRUSH DECK 530MM/20"
32	xxxxxxxxxx	1	NUT HEX SELFLOCK M8 SS (SEE ROLLER BUMPER KIT)
33	909 6485 000	1	PLATE, DECK BRUSH OLDER
34	909 6532 000	1	DECAL BRUSH ADJUSTING
35	xxxxxxxxxx	1	BRUSH HUB (SEE HOLDERPOLYG.W/FLAGE KIT)
36#	xxxxxxxxxx	3	WASHER M6 (SEE HOLDERPOLYG.W/FLAGE KIT)
37#	xxxxxxxxxx	3	SCREW M6X20 SS (SEE HOLDERPOLYG.W/FLAGE KIT)
38	9097093000	1	HOLDERPOLYG.W/FLAGE KIT (14,27,28,35,36,37)
39	909 5380 000	1	CARBON BRUSH (4 PCS)
40	909 6887 000	1	ROLLER BUMPER KIT (3,7,11,16,19,25,32)
[41]	909 6888 000	1	HARDWARE BRUSH DECK KIT (5,6,12,13,15,17,20,21,22,23,24,26,30)

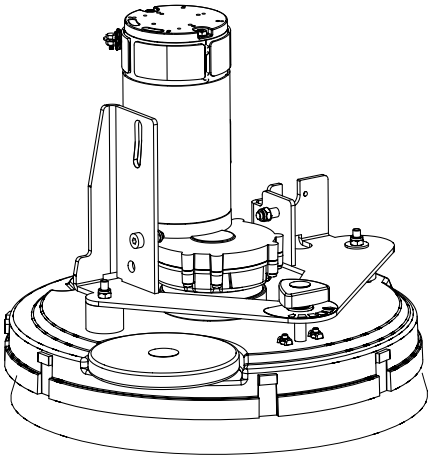


**SPLASH GUARD 17" KIT  
( ADFINITY™ 17ST )**



**SPLASH GUARD 20" KIT  
( ADFINITY™ 20ST )**

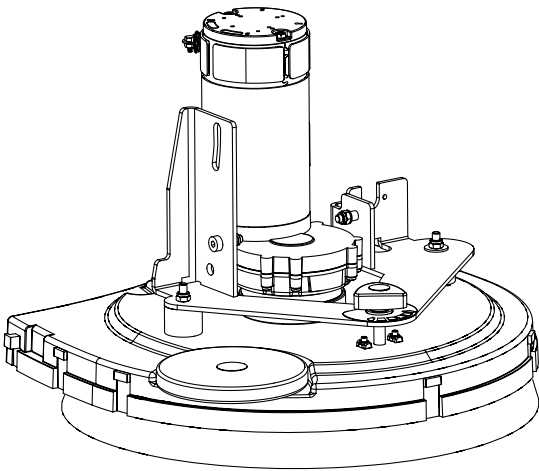
Item No.	Ref. No.	Qty	Description
1	909 6737 000	1	SPLASH GUARD 17" KIT (22,23,24,25,26,27,28,29)
2	xxxxxxxxxx	2	NUT (SEE SPLASH GUARD 17" KIT)
3#	xxxxxxxxxx	1	SCREW HEX HD M5X20 SS (SEE SPLASH GUARD 17" KIT)
4	xxxxxxxxxx	1	SPLASH GUARD (SEE SPLASH GUARD 17" KIT)
5	xxxxxxxxxx	1	BRACKET FIXING SPLASH GUARD (SEE SPLASH GUARD 17" KIT)
6	xxxxxxxxxx	1	BRACKET FIXING SPLASH GUARD (SEE SPLASH GUARD 17" KIT)
7	xxxxxxxxxx	1	BRACKET FIXING SPLASH GUARD (SEE SPLASH GUARD 17" KIT)
8	xxxxxxxxxx	2	SCREW M4X20 (SEE SPLASH GUARD 17" KIT)
9	xxxxxxxxxx	2	WASHER M4 (SEE SPLASH GUARD 17" KIT)
[10]	909 6745 000	1	INSTALLATION INSTRUCTIONS FOR SPLASH GUARD KIT (SEE SPLASH GUARD 17" KIT)
11	909 6736 000	1	SPLASH GUARD 20" KIT (11,12,13,14,15,16,17,18,19,20)
12	xxxxxxxxxx	1	SCREW M4X12 (SEE SPLASH GUARD 20" KIT)
13	xxxxxxxxxx	1	SPLASH GUARD (SEE SPLASH GUARD 20" KIT)
14	xxxxxxxxxx	1	BRACKET FIXING SPLASH GUARD (SEE SPLASH GUARD 20" KIT)
15	xxx xxxx xxx	1	BRACKET FIXING SPLASH GUARD (SEE SPLASH GUARD 20" KIT)
16	xxxxxxxxxx	1	BRACKET FIXING SPLASH GUARD (SEE SPLASH GUARD 20" KIT)
17	xxxxxxxxxx	2	SCREW M4X20 (SEE SPLASH GUARD 20" KIT)
18	xxxxxxxxxx	3	NUT (SEE SPLASH GUARD 20" KIT)
19#	xxxxxxxxxx	1	SCREW HEX HD M5X30 SS (SEE SPLASH GUARD 20" KIT)
20	xxxxxxxxxx	2	WASHER M4 (SEE SPLASH GUARD 20" KIT)
21	xxxxxxxxxx	1	RUBBER SPLASH GUARD (SEE SPLASH GUARD 20" KIT)
[22]	909 6745 000	1	INSTALLATION INSTRUCTIONS FOR SPLASH GUARD KIT (SEE SPLASH GUARD 20" KIT)



**Adfinity™ 17ST**

**Ref. No. - BRUSHES**

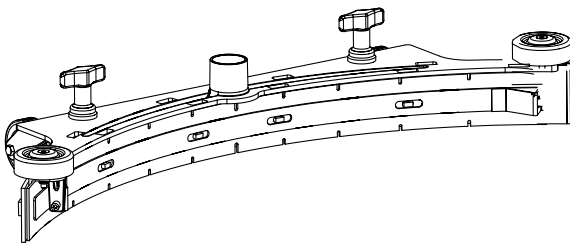
- \* #L08837020 - PROLENE
- \* #L08837021 - PROLITE
- \* #L08837022 - UNION MIX
- \* #L08837023 - MIDLITE
- \* #L08837024 - MIDGRIT
- \* #L08837017 - PAD HOLDER KIT



**Adfinity™ 20ST**

**Ref. No. - BRUSHES**

- \* 56325504 - PROLENE
- \* #L08837026 - PROLITE
- \* #L08837027 - UNION MIX
- \* #L08837028 - MIDLITE GRIT
- \* #L08837029 - MID GRIT 240
- \* #L08837065 - MAGNA GRIT 46
- \* #L08837066 - DYNA GRIT 80
- \* #L08837067 - AGLITE GRIT 500
- \* 56325502 - PAD HOLDER KIT

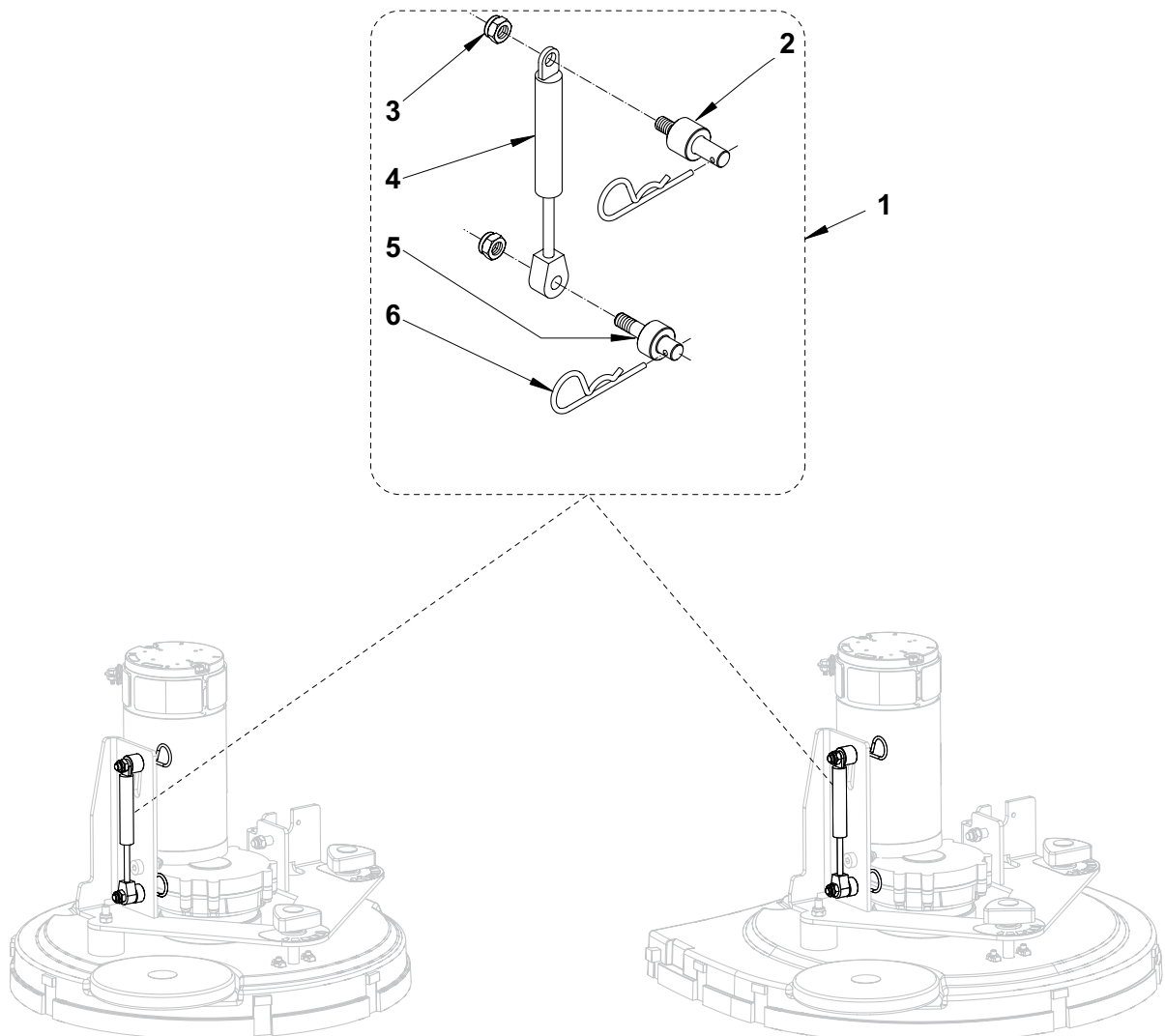


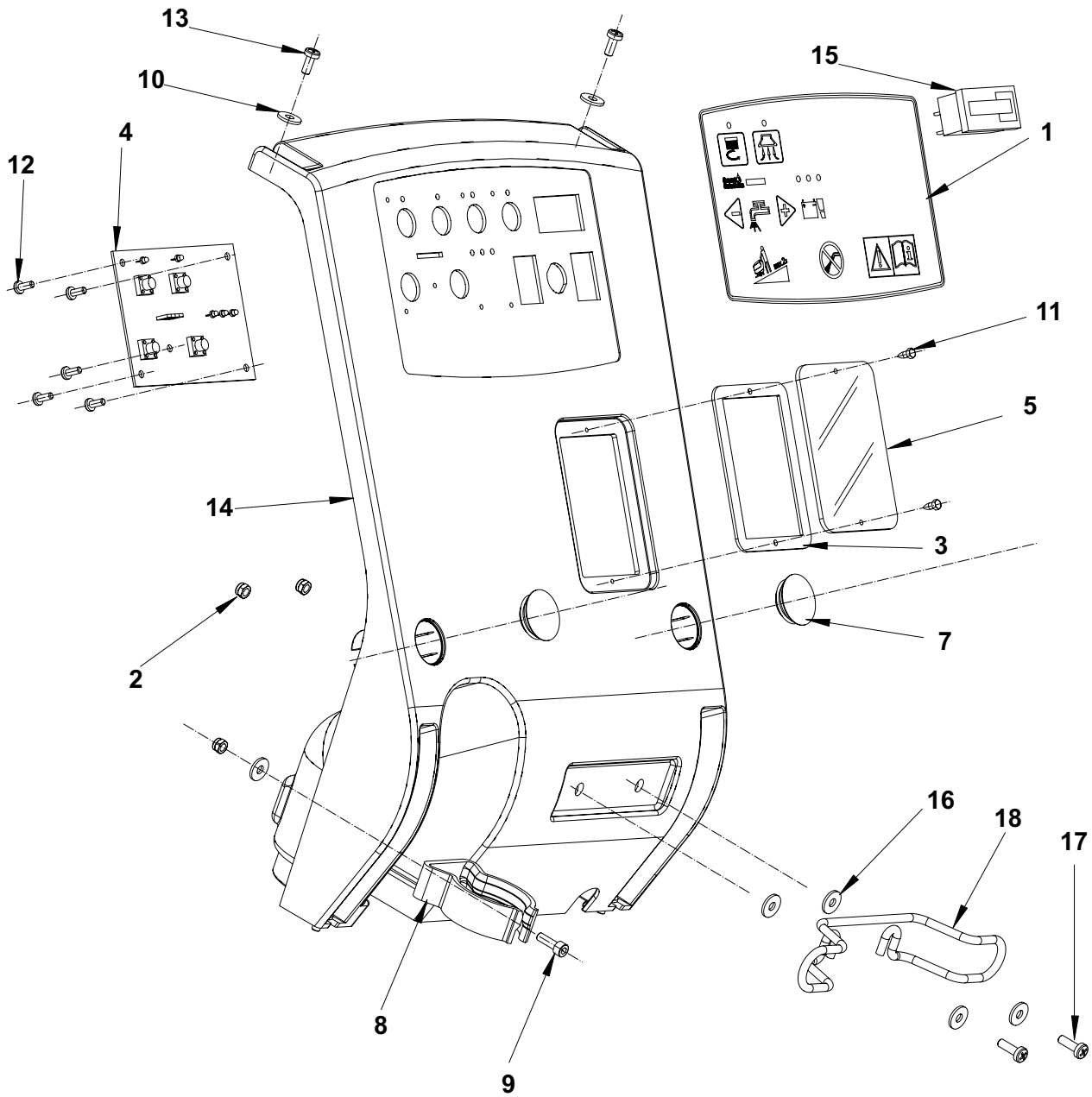
**Adfinity™ 17ST - 20ST**

Ref. No.	Qty	Description
* #L08603878	1	SQUEEGEE CPL KIT
909 6851 000	1	SQUEEGEE CPL ALUMINIUM KIT 30"
909 6483 000	1	BLADE NEOPRENE FRONT
909 6484 000	1	BLADE NEOPRENE REAR
909 6860 000*	1	BLADES NEOPRENE KIT 30"
909 6858 000*	1	BLADES POLYURETHAN KIT 30"

Item No.	Ref. No.	Qty	Description
1*	909 6738 000	1	EXTRA PRESSURE KIT (PAGE 9, 23,24,25) (PAGE 2,3,4,5,6,7,8,9,10,11)
2	xxxxxxxxxx	1	PIN
3	xxxxxxxxxx	2	NUT SELFLOCKING M8
4	xxxxxxxxxx	1	GAS SPRING
5	xxxxxxxxxx	1	PIN
6	xxxxxxxxxx	2	SPLIT PIN 3
[7]	xxxxxxxxxx	1	KNOB
[8]	xxxxxxxxxx	1	SCREW HEX HD M10X30
[9]	909 6759 000	1	INSTALLATION INSTRUCTIONS FOR EXTRA PRESSURE KIT
[10]	xxxxxxxxxx	1	DECAL
[11]	xxxxxxxxxx	2	WASHER BELLEVILLE10,2X18,8X0,35

### EXTRA PRESSURE KIT (ADFINITY™ 17ST / 20ST)





2007-01

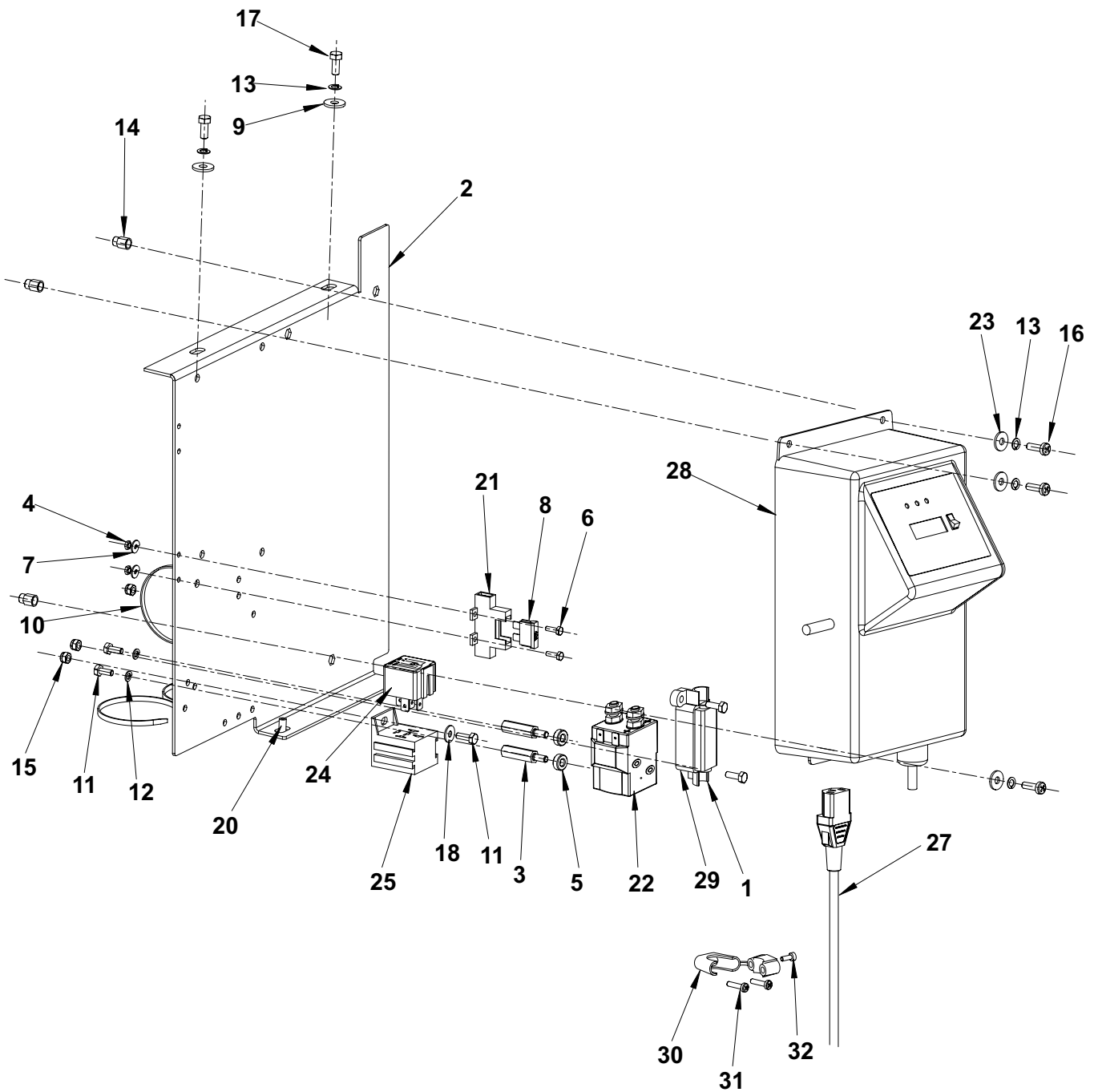
## CONTROL PANEL SYSTEM

2007-09

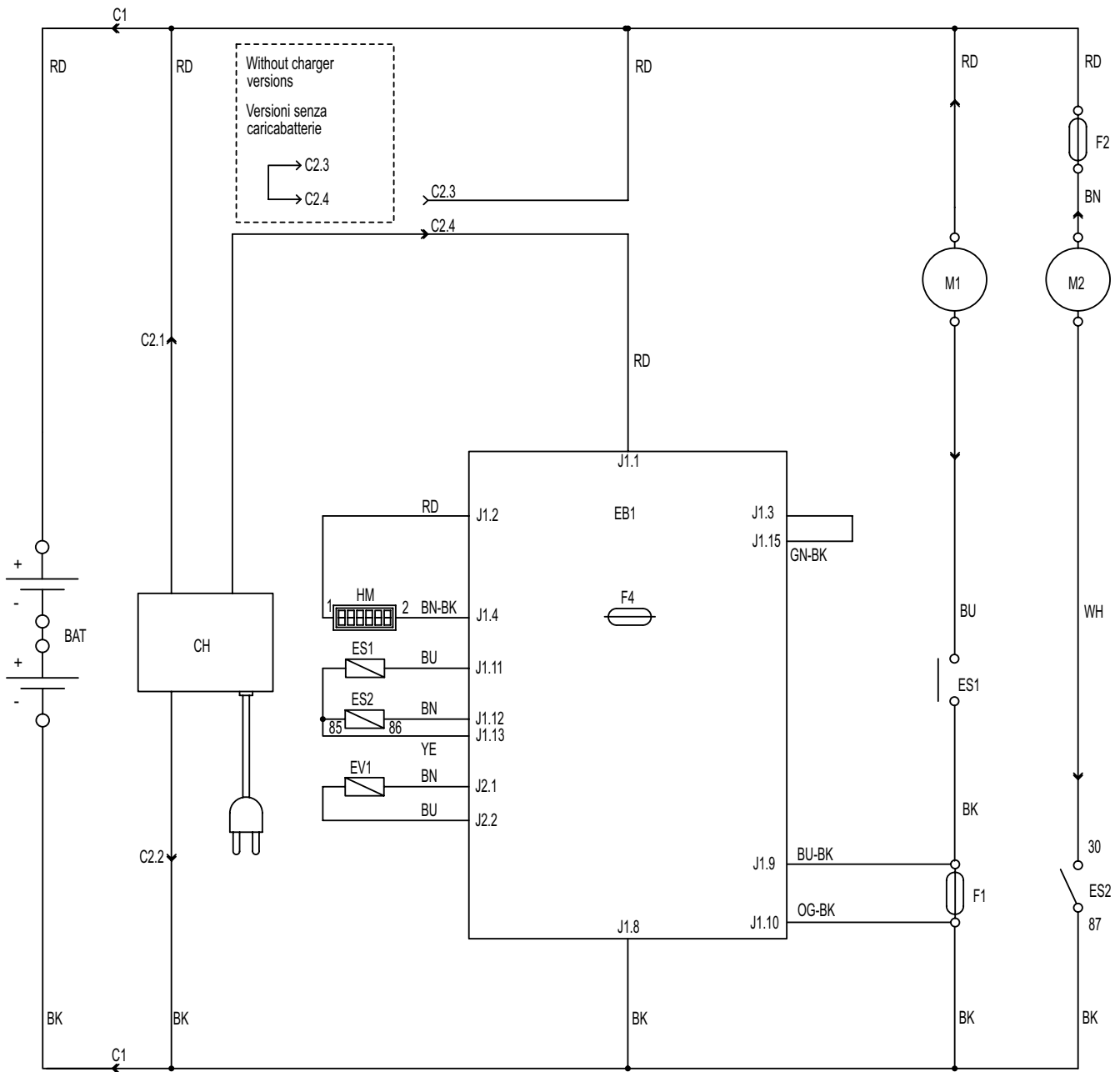
Adfinity™ 17ST / 20ST

25

Item No.	Ref. No.	Qty	Description
1	9097000000	1	DECAL CONTROL PANEL
2#	33005603	3	NUT HEX SELF LOCK M5
3	909 6545 000	1	GASKET
4	909 6552 000	1	ELECTRONIC CARD BEFORE SERIAL NO.072115094
4#	9097006000	1	ELECTRONIC CARD STARTING FROM SERIAL NO. 072115094
5	909 5313 000	1	INSPECTION PLATE
7	56325624	2	CAP, TANK LOCKING
8#	L08812967	1	CLAMP Ø50 SS
9	33004124	1	SCREW SOCKET HD M5X16 SS
10	145 8280 000	5	WASHER FLAT 5X15 SS
11	145 9211 000	2	SCREW
12	146 0783 000	5	SCREW PAN HD 4X10 THD
13#	909 5009 000	4	SCREW M5X12 UNI7687
14	909 6053 000	1	ELECTRIC COMPONENTS COVER
15*	<b>9096951000</b>	<b>1</b>	<b>COUNTER HOUR 24V KIT</b>
16	145 1261 000	4	WASHER
17	146 2090 000	2	SCREW CYL HD M5X16
18	909 5149 000	1	SUPPORT BATTERY CHARGER CABLE
[19]	145 8368 000	1	FUSE 3A
[20]*	9096952000	1	INSTRUCTIONS FOR COUNTER HOUR KIT



Item No.	Ref. No.	Qty	Description
1	145 8046 000	1	FUSE CARRIER
2	909 6498 000	1	SUPPORT
3	909 6676 000	2	SPACER M4 L=25
4	33005499	2	NUT HEX M3
5#	L08812801	2	SPACER
6#	L08812964	4	SCREW HEX HD M3X10
7#	L08812986	2	WASHER SPLIT 3 SS
8	145 8513 000	1	FUSE 30A
9	145 1261 000	2	WASHER
10	145 1449 000	3	CLAMP
11#	33003947	5	SCREW HEX HD M4X10
12	33005838	2	WASHER SPLIT 4
13#	33005839	5	WASHER
14	145 6132 000	3	INSERT M5
15	145 5743 000	3	NUT
16#	146 1711 000	3	SCREW M5X20 UNI7687
17	33003960	2	SCREW HEX. HD M5X12
18	145 9237 000	1	WASHER FLAT 4X12
20	146 0622 000	1	DOWEL
21	146 0660 000	2	BLADE FUSE HOLDER
22	146 0719 000	1	ELECTROMAGNETIC SWITCH 24V
23#	33005912	3	WASHER M5 UNI6592
24	909 6622 000	1	RELAY 24V 40A
25	9096963000	1	HARNESS ELECTRIC BOX
27	9096914000	1	CABLE EXTENTION US
28	909 6541 000	1	BATTERY CHARGER 24V 13A
29	145 3824 000	1	STRIP FUSE 40A
30#	L08338600	1	CABLE HOLDER
31#	L08603668	2	SCREW THD FORM
32	146 1788 000	1	SCREW M4X12
[33]	9096971000	1	MACHINE HARNESS
[34]	909 6840 000	1	HARNESS VACUUM CLEANER
[35]	9096906000	1	BATTERY HARNESS
[36]#	L08812093	4	COVER, BATTERY TERMINAL
[37]	146 1986 000	1	CONNECTOR 120A



COMPONENTS / COMPONENTI		
BAT	24V BATTERIES	BATTERIE 24V
C1	BATTERY CONNECTOR	CONNETTORE BATTERIE
C2	CHARGER CONNECTOR	CONNETTORE CARICABATTERIE
CH	BATTERY CHARGER (OPT)	CARICABATTERIE (OPT)
CS	BRUSH DECK CONNECTOR	CONNETTORE TESTATA SPAZZOLE
EB1	CONTROL PANEL BOARD	SCHEDA ELETTRONICA CONTROLLO FUNZIONI
ES1	BRUSH MOTOR ELECTROM. SWITCH	TELERUTTORE MOTORI SPAZZOLE
ES2	VACUUM MOTOR ELECTROM. SWITCH	RELE' ASPIRATORE
EV1	WATER ELECTROVALVE	ELETTROVALVOLA ACQUA
F1	BRUSH DECK FUSE	FUSIBILE TESTATA SPAZZOLE
F2	VACUUM MOTOR FUSE	FUSIBILE ASPIRATORE
F4	LOW POWER CIRCUIT FUSE	FUSIBILE CIRCUITI DI SEGNALE
HM	HOURLMETER (OPT)	CONTAORE (OPT)
M1	BRUSH MOTOR	MOTORE SPAZZOLA
M2	VACUUM MOTOR	MOTORE ASPIRATORE

WIRING DIAGRAM  
 ADFINITY™ 17ST - 20ST  
 Rev. A  
 909 6530 000

Ref. No.	DESCRIPTION	QTY	MACHINES
<b>SOLUTION TANK</b>			
909 6650 000	SPONGE INLET FRESH WATER	1	Adfinity™ 17ST/ 20ST
909 6681 000	SOLUTION HOSE	1	Adfinity™ 17ST/ 20ST
# L08812457	CAP	2	Adfinity™ 17ST/ 20ST
909 6662 000	SQUEEGEE LIFT CABLE	1	Adfinity™ 17ST/ 20ST
909 6874 000	TANK CABLE KIT	1	Adfinity™ 17ST/ 20ST
909 6875 000	SOLUTION TANK HARDWARE KIT	1	Adfinity™ 17ST/ 20ST
<b>VACUUM / RECOVERY SYSTEM</b>			
909 6230 000	SQUEEGEE HOSE	1	Adfinity™ 17ST/ 20ST
909 6528 000	DRAIN HOSE	1	Adfinity™ 17ST/ 20ST
# 56324497	CAGE FLOAT COMPLETE	2	Adfinity™ 17ST/ 20ST
56391690	BALL FLOAT	1	Adfinity™ 17ST/ 20ST
# L08812968	GASKET	1	Adfinity™ 17ST/ 20ST
145 0543 000	HOSE CLAMP	2	Adfinity™ 17ST/ 20ST
909 6899 000	CAP	1	Adfinity™ 17ST/ 20ST
# 909 6877 000	VACUUM MOTOR HARDWARE KIT	1	Adfinity™ 17ST/ 20ST
# 909 6876 000	RECOVERY TANK HARDWARE KIT	1	Adfinity™ 17ST/ 20ST
909 6802 000	VACUUM MOTOR 24V 330W COMPLETE	1	Adfinity™ 17ST/ 20ST
909 5371 000	CARBON BRUSH FOR VACUUM MOTOR	2	Adfinity™ 17ST/ 20ST
909 6491 000	PANEL ACOUSTIC INSULATION	1	Adfinity™ 17ST/ 20ST
909 6490 000	GASKET VACUUM MOTOR	1	Adfinity™ 17ST/ 20ST
9096918000	GASKET VACUUM MOTOR	1	Adfinity™ 17ST/ 20ST
<b>CHASSIS SYSTEM</b>			
909 6898 000	WHEEL CASTOR KIT	1	Adfinity™ 17ST/ 20ST
# 909 6878 000	CHASSIS SYSTEM HARDWARE KIT	1	Adfinity™ 17ST/ 20ST
<b>WHEELS SYSTEM</b>			
909 6507 000	WHEEL FRONT D.200	2	Adfinity™ 17ST/ 20ST
<b>SOLUTION SYSTEM</b>			
9096994000	VALVE ELBOW	1	Adfinity™ 17ST/ 20ST
# 9097166000	KIT, FILTER	1	Adfinity™ 17ST/ 20ST
# 9096995000	VALVE ELBOW WITH PIPES KIT	1	Adfinity™ 17ST/ 20ST
909 6555 000	ELECTROVALVE	1	Adfinity™ 17ST/ 20ST
909 6636 000	BARB L=105	1	Adfinity™ 17ST/ 20ST
909 6637 000	BARB L=115	1	Adfinity™ 17ST/ 20ST
<b>SQUEEGEE SYSTEM</b>			
# 909 6055 000	FRONT STRAP	1	Adfinity™ 17ST/ 20ST
909 6044 000	WELDMENT SQUEEGEE TOOL	1	Adfinity™ 17ST/ 20ST
# L08603675	NUT THUMB SQUEEGEE FIXING	2	Adfinity™ 17ST/ 20ST
909 6551 000	KNOB 8X30 SS	1	Adfinity™ 17ST/ 20ST
909 6484 000	BLADE NEOPRENE REAR	1	Adfinity™ 17ST/ 20ST
909 6483 000	BLADE NEOPRENE FRONT	1	Adfinity™ 17ST/ 20ST
909 6851 000	SQUEEGEE CPL ALU KIT 30"	1	Adfinity™ 17ST/ 20ST
909 6882 000	FIXING SQUEEGEE KIT	1	Adfinity™ 17ST/ 20ST
909 6883 000	SQUEEGEE WHEEL KIT	1	Adfinity™ 17ST/ 20ST
909 6884 000	SQUEEGEE BUMPER ROLLER KIT	1	Adfinity™ 17ST/ 20ST
909 6394 000	KIT LATCH FOR SQUEEGEE	1	Adfinity™ 17ST/ 20ST
909 6885 000	SQUEEGEE SUPPORT HARDWARE KIT	1	Adfinity™ 17ST/ 20ST

**RECOMMENDED SPARE PARTS**

**2007-01**

**30**

**Adfinity™ 17ST / 20ST**

Ref. No.	DESCRIPTION	QTY	MACHINES
<b>DISC SCRUB DECK</b>			
909 6043 000	BRUSH DECK 450MM/17"	1	Adfinity™ 17ST
909 6042 000	BRUSH DECK 530MM/20"	1	Adfinity™ 20ST
909 6546 000	BRUSH MOTOR 480W 24V 135 RPM	1	Adfinity™ 17ST/ 20ST
909 5380 000	KIT CARBON BRUSH	1	Adfinity™ 17ST/ 20ST
56325648	FITTING 1/4	1	Adfinity™ 17ST/ 20ST
# 9097184000	SHOCK ABSORBER	1	Adfinity™ 17ST/ 20ST
9097093000	HOLDERPOLIG. W/FLAGE KIT	1	Adfinity™ 17ST/ 20ST
909 6887 000	BUMPER ROLLER KIT	1	Adfinity™ 17ST/ 20ST
909 6888 000	BRUSH SYSTEM HARDWARE KIT	1	Adfinity™ 17ST/ 20ST
<b>CONTROL PANEL</b>			
# L08812967	CLAMP HOSE D.50	1	Adfinity™ 17ST/ 20ST
# 9097006000	PCB FUNCTIONS 24V	1	Adfinity™ 17ST/ 20ST
9097000000	CONTROL PANEL DECAL	1	Adfinity™ 17ST/ 20ST
145 8368 000	FUSE FUNCTION PCB 3A	1	Adfinity™ 17ST/ 20ST
<b>ELECTRICAL SYSTEM</b>			
146 1986 000	CONNECTOR BATTERY	1	Adfinity™ 17ST/ 20ST
145 3824 000	FUSE STRIP 40A	1	Adfinity™ 17ST/ 20ST
145 8513 000	FUSE BLADE 30A UL	1	Adfinity™ 17ST/ 20ST
909 6541 000	CHARGER BATTERY 24V 13A	1	Adfinity™ 17ST/ 20ST

Ref. No.	DESCRIPTION	QTY	MACHINES
	<b>ACCESSORIES</b>		
909 5327 000	REMOTE FILLIN HOSE	1	Adfinity™ 17ST/ 20ST
# 9096916000	FILTER	1	Adfinity™ 17ST/ 20ST
9096951000	HOUR COUNTER	1	Adfinity™ 17ST/ 20ST
909 6734 000	ELASTIC BAND KIT	1	Adfinity™ 17ST/ 20ST
909 6900 000	WHEEL CASTOR SS	2	Adfinity™ 17ST/ 20ST
# 9097167000	WHEEL FRONT D.200 65SH	2	Adfinity™ 17ST/ 20ST
# L08837020	BRUSHES - PROLENE	1	Adfinity™ 17ST/ 20ST
# L08837021	BRUSHES - PROLITE	1	Adfinity™ 17ST/ 20ST
# L08837022	BRUSHES - UNION MIX	1	Adfinity™ 17ST/ 20ST
# L08837023	BRUSHES - MIDLITE	1	Adfinity™ 17ST/ 20ST
# L08837024	BRUSHES - MID GRIT	1	Adfinity™ 17ST/ 20ST
# L08837017	PAD HOLDER KIT	1	Adfinity™ 17ST/ 20ST
56325504	BRUSHES - PROLENE	1	Adfinity™ 17ST/ 20ST
# L08837026	BRUSHES - PROLITE	1	Adfinity™ 17ST/ 20ST
# L08837027	BRUSHES - UNION MIX	1	Adfinity™ 17ST/ 20ST
# L08837028	BRUSHES - MIDLITE GRIT	1	Adfinity™ 17ST/ 20ST
# L08837029	BRUSHES - MID GRIT 240	1	Adfinity™ 17ST/ 20ST
# L08837065	BRUSHES - MAGNA GRIT 46	1	Adfinity™ 17ST/ 20ST
# L08837066	BRUSHES - DYNA GRIT 80	1	Adfinity™ 17ST/ 20ST
# L08837067	BRUSHES - AGLITE GRIT 500	1	Adfinity™ 17ST/ 20ST
56325502	PAD HOLDER KIT	1	Adfinity™ 17ST/ 20ST
# L08603878	SQUEEGEE CPL KIT 30"	1	Adfinity™ 17ST/ 20ST
909 6860 000	KIT SQUEEGEE BLADES NEOPRENE	1	Adfinity™ 17ST/ 20ST
909 6858 000	KIT SQUEEGEE BLADES POLYURETAN	1	Adfinity™ 17ST/ 20ST
909 6738 000	EXTRAPRESSURE KIT	1	Adfinity™ 17ST/ 20ST



**Nilfisk-Advance, Inc.**

14600 21st Avenue North  
Plymouth, MN, 55447-34L08  
[www.nilfisk-advance.com](http://www.nilfisk-advance.com)

Phone: 800-989-2235

Fax: 800-989-6566

©2007 Nilfisk-Advance, Inc.,  
Plymouth, MN 55447-34L08

Printed in Italy