



Electronic Service Manuals

This electronic document is provided as a service to our customers. We do not create the contents of the information contained in this document. Should you have detailed questions pertaining to the information contained in this document, you may contact Michco, or the manufacturer which provided the original information in this electronic deliverable. Michco's only part in this electronic deliverable was the electronic assembly process. By providing this manual on line we are not guaranteeing parts availability.

You may contact Michco through the following methods:

Phone (517) 484-9312 or (800) 331-3339

2011 N. High St. -- Lansing, Michigan -- 48906

Fax: (517) 484-9836

Email: CustServe@Michco.com

Web site: www.Michco.Com

Parts Web site: www.FloorMachineParts.Com

Order Parts on Line at:

www.FloorMachineParts.Com

Directly to Parts & Service:

By Email: **Shop@Michco.com**

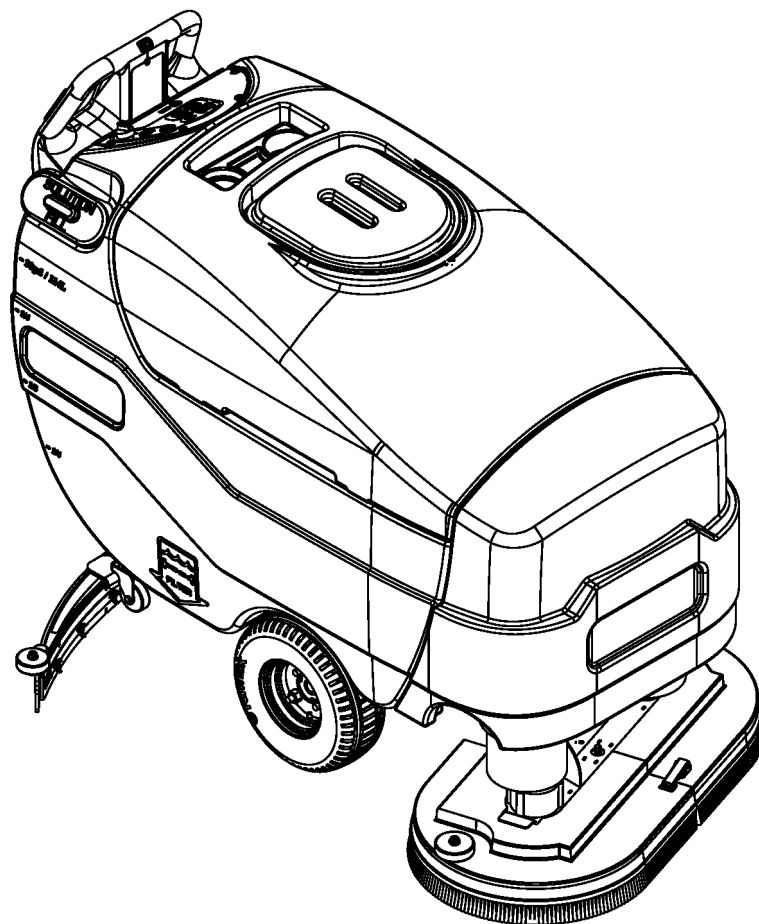
By Fax: (517) 702-2041

By Voice: Use numbers above.

Serving the Cleaning Industry Since 1922

Notice: All copyrighted material remains property of original owners, all trademarks are property of respective owners. Manuals are subject to Manufacturer's reproduction limitations. Originals or reproductions were provided by manufacturers through a request. We make no warranty as to the correctness of information provided in this document and you assume all risk. By placing these manuals on line we are not declaring our corporation to be an manufacturer authorized dealer or provider, please check our web site for authorized manufacturers we represent.

34 RST



PARTS LIST

**Advance Models: 56315900(34RST D), 56315901(34RST D-C)
56315902(34RST D-C / W/Strainer)
56315903(34RST D-C / W/Battery Watering)**



Advance
by Nilfisk-Advance

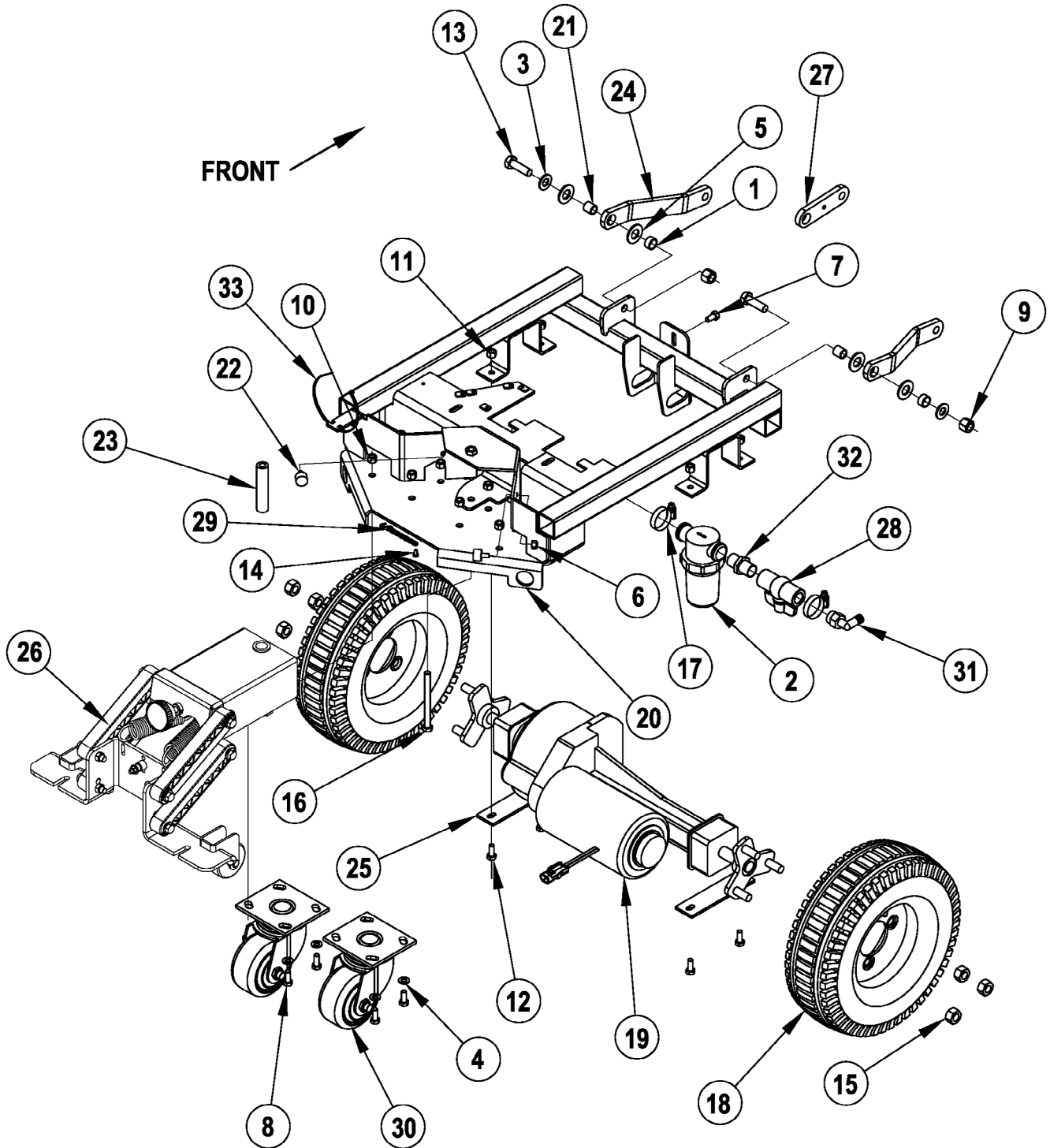
9/07 revised 4/08 FORM NO. 56042485

DESCRIPTION	PAGE
Chassis System	2-3
Chassis System (Squeegee Linkage Assy)	4-5
Decal System.....	6-7
Recovery System.....	8-9
Scrub System	10-11
Solution / Electrical System-1	12-13
Solution / Electrical System-2	14-15
Handle Assembly.....	16-17
Squeegee Assembly	18-19
Wiring Diagram	20-21
Battery Watering System	22-23
Optional Kits & Accessories.....	24
Brush Selector Guide-Disk	25

WHEN ORDERING PARTS

- * Use the 8 digit numbers from the "Ref. No." columns in this parts list.
- * Specify the model and serial number of the machine.
- * Use the space below to record the model and serial number for future reference.

Model _____ Serial No. _____



07-9

CHASSIS SYSTEM

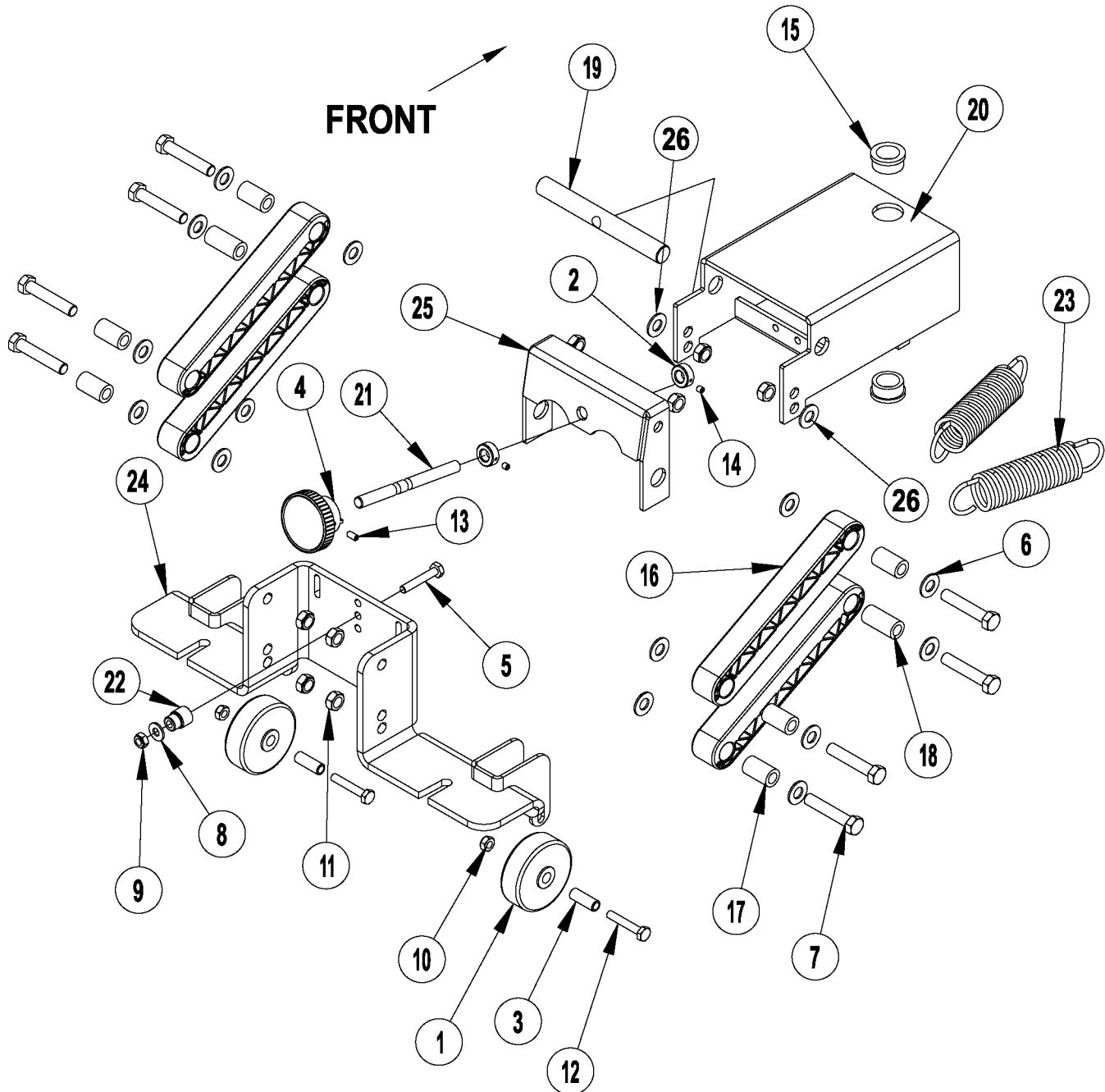
08-4

34 RST**3**

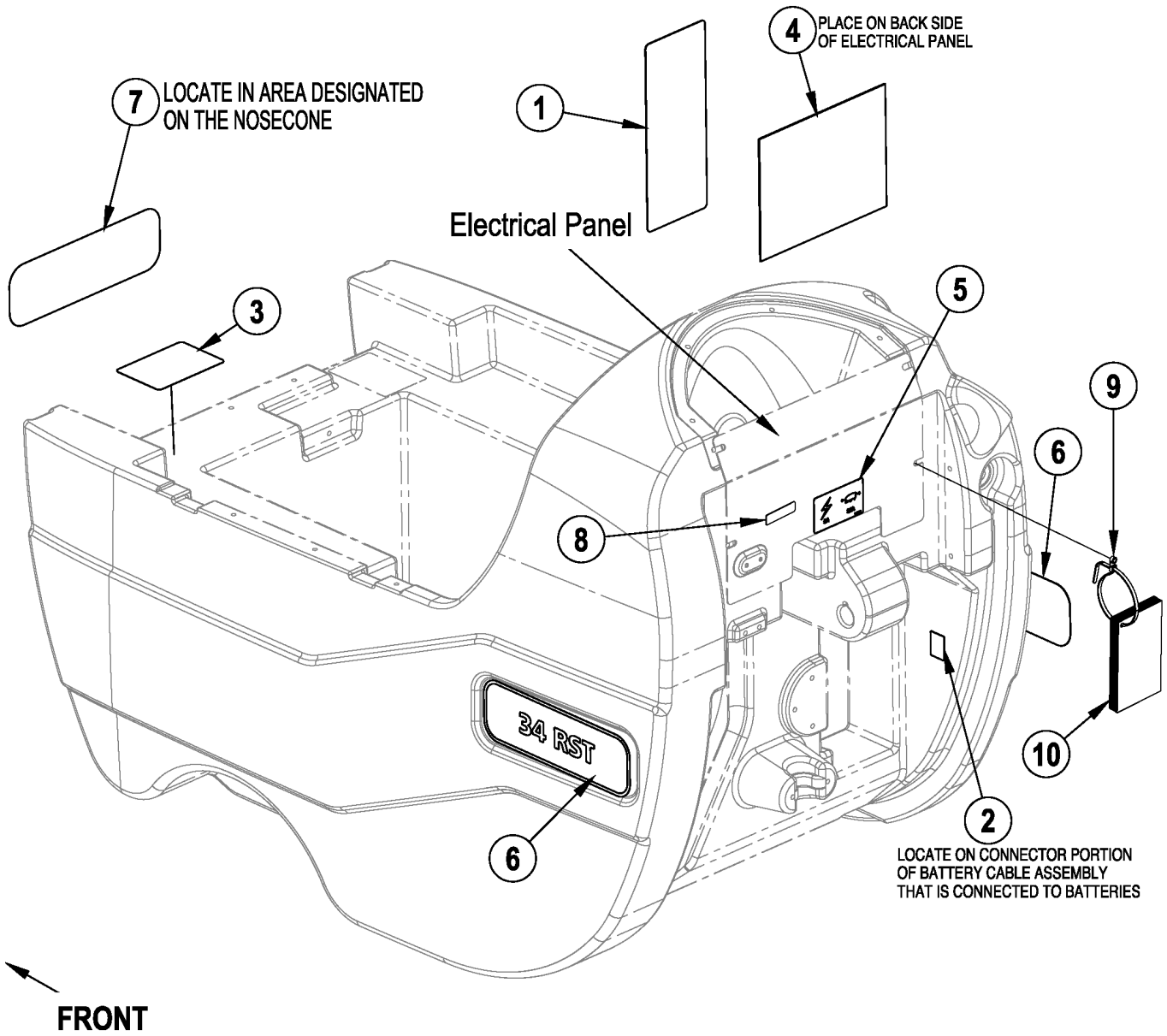
Item	Ref. No.	Qty	Description
1	56370878	2	Bearing, Sleeve
2	56412173	1	Solution Filter
3	56001879	2	Wsh, Flt SAE 1/2
4	56001939	10	Wsh, Flt SAE 5/16
5	56002022	4	Wsh, Flt SAE 5/8
6	56002708	2	Nut, Hex Nyl Loc 1/4-20
7#	56003012	3	Scr, Hex SS 5/16-18 X .75
8	56003179	8	Scr, Hex Thd To Hd M8-1.25 X 20mm
9	56003312	2	Nut, Hex Nyl Loc M12-1.75
10	56003389	8	Nut, Hex Nyl Loc M8-1.25
11	56003405	4	Nut, Hex Nyl Loc SS M8-1.25
12	56003435	4	Scr, Hex SS M8-1.25 X 20mm
13	56003637	2	Scr, Hex M12-1.75 X 40mm
14	56009030	1	Scr, Pan Phil Thd Form 10-24 X .38
15	56009116	6	Nut, Hex Hvy 1/2-20
16	56009241	1	Scr, Hex 3/8-16 X 4.25
17	56131601	2	Clamp, Hose SAE #16
18	56315118	2	Wheel, Drive
	9096219000	2	Wheel, Polyurethane-Traction (optional)
19	56315063	1	Transaxle, 36v (M1)
[]	56315676	1	Motor
[]	56315677	4	Carbon Brush
[]	56315678	2	Neoprene Mounting Sleeve
20	56315073	1	Weldment, Chassis
21	56315080	2	Bushing
22	56315111	2	Cylindrical Mount
23	56315154	1	Bushing, Spacer
24	56315918	2	Linkage Arm
25	56315202	2	Plate, Transaxle Mount
26	56315210	1	Assembly, Squeegee Linkage Large
27	56315239	1	Linkage Arm,
28	56315607	1	Ball Valve
29	56315691	1	Ground Chain
30	56365555	2	Caster Swivel 4.0x2.0
31	56409152	1	Barb, 90 Elbow 1/2 X 1/2npt
32	56412182	1	Nipple, Hex 3/4-14
33	56478523	1	Tie, Cable

[] = Not Shown

= Revised or new since last update



Item	Ref. No.	Qty	Description
	56315210	1	Squeegee Linkage Assembly
1	56324350	2	Wheel
2	56331076	2	Collar
3	56315580	2	Bushing
4	56475480	1	Knob
5	56001833	1	Scr, Hex 1/4-20 X 1.50
6	56002063	14	Wsh, Flt SAE 3/8
7	56002091	8	Scr, Hex 3/8-16 X 2.00
8	56002098	1	Wsh, Flt SAE 1/4
9	56002840	1	Nut, Hex Nyl Loc-Thin 1/4-20
10	56002850	2	Nut, Hex Nyl Loc-Thin SS 1/4-20
11	56002852	8	Nut, Hex Nyl Loc-Thin SS 3/8-16
12	56002901	2	Scr, Hex SS 1/4-20 X 1.50
13	56003123	1	Scr, Soc Set 10-2 4x .38
14	56009084	2	Scr, Soc Set Loc 10-24 X .19
15	56250414	2	Bearing, Flange
16	56315941	4	Linkage Arm, Molded
17	56315067	6	Spacer, Phenolic
18	56315068	2	Spacer, Phenolic
19	56315082	1	Pin
20	56315208	1	Weldment, Squeegee Large
21	56315240	1	Rod, Adjustment
22	56315245	1	Bushing, Squeegee Cable
23	56315295	2	Spring, Extension
24	56315698	1	Weldment, Squeegee Mount
25	56315713	1	Bracket, Squeegee Level
26	56002940	2	Wsh, Flt SAE SS 5/8



07-9

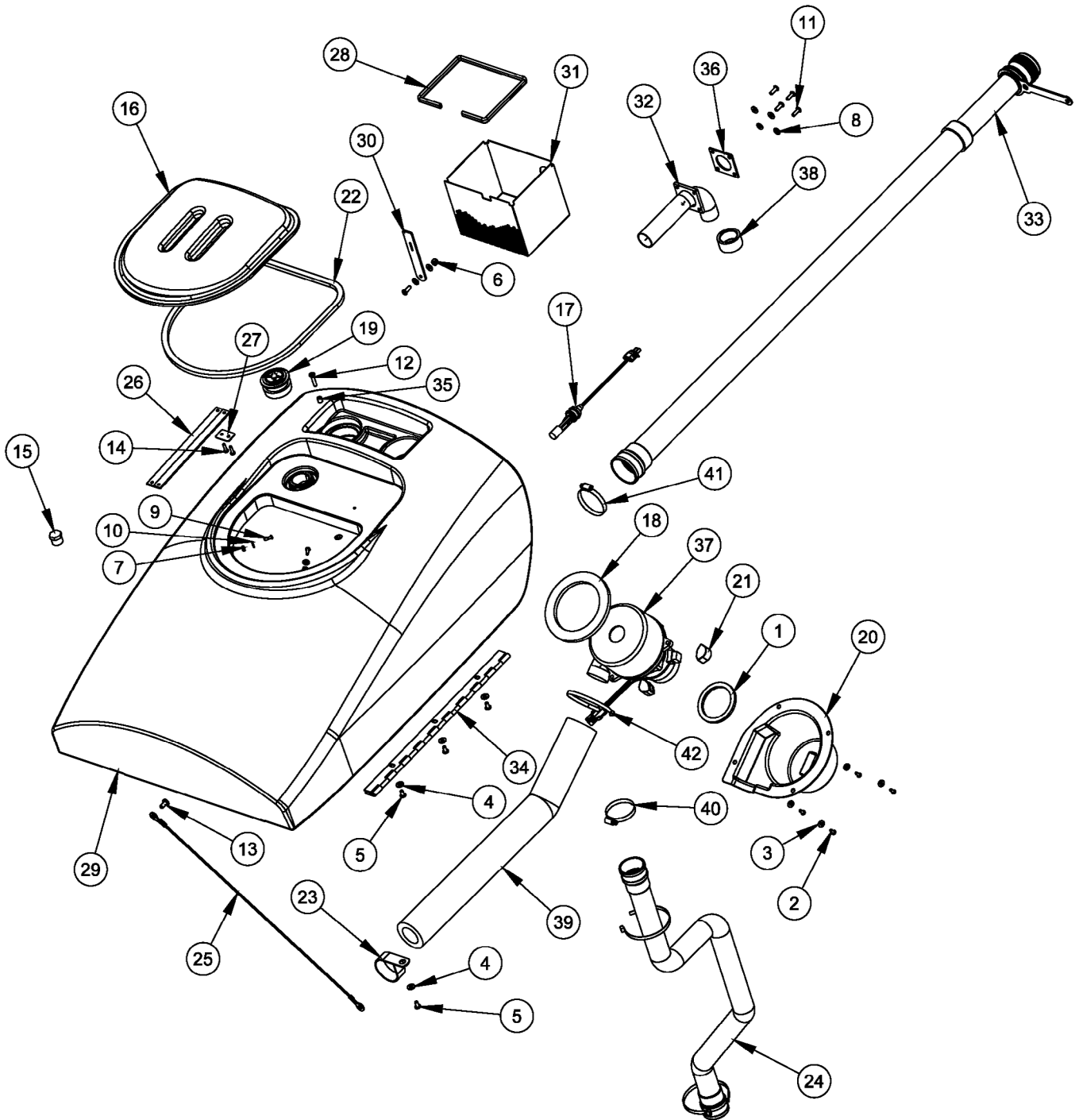
DECAL SYSTEM

08-4

34 RST**7**

Item	Ref. No.	Qty	Description
1	56014601	1	Decal, Caution
2	56016324	1	Decal, Charger
3	56015259	1	Decal, Battery Wiring
4	56315927	1	Decal, Ladder Diagram
5	56016690	1	Decal, Circuit Breaker
6	56315919	2	Decal, 34RST
7	56016730	1	Decal, Advance
8#	56014450	1	Decal, Patent Number
9#	2-00-04937	1	Hose Tie W/Eyelet
10#	L3018A	1	Instruction Booklet

= Revised or new since last update



07-9

RECOVERY SYSTEM

08-4

34 RST**9**

Item	Ref. No.	Qty	Description
1	56412154	1	Gasket, Vacuum Duct
2	56001993	4	Scr, Pan Phil 10-24 X .50
3	56002053	4	Wsh, Flt STD #10
4	56002098	4	Wsh, Flt SAE 1/4
5	56002145	4	Scr, Pan Phil 1/4-20 X .50
6	56002491	2	Nut, Hex Nyl Loc SS 1/4-20 NOTE 1
7	56002849	2	Nut, Hex Nyl Loc-Thin SS 10-24
8	56002859	7	Wsh, Flt SAE SS 1/4 NOTE 1
9	56002896	2	Scr, Pan Phil SS 10-24 X .62
10	56002919	2	Wsh, Flt Std SS #10
11	56002957	5	Scr, Pan Phil SS 1/4-20 X .75 NOTE 1
12	56002958	1	Scr, Pan Phil SS 1/4-20 X 1.25 NOTE 1
13	56003003	1	Scr, Pan Phil 5/16-18 X .62
14	56009005	2	Scr, Pan Phil SS Type B 10-16 X .75
15#	56305464	1	Plug, 3/4 Hex Pipe NOTE 2
16	56315176	1	Cover, Recovery Tank
17	56315096	1	Switch, Electromagnetic (S4)
18	56315098	1	Gasket
19	56315099	1	Screen, Fan Inlet
20	56315102	1	Shroud, Vac Motor
21	56315141	3	Mount, Vibration
22	56315220	1	Gasket, Recovery Lid
23	56315257	1	Clamp, P
24	56315268	1	Vac Hose Assy.
25	56315272	1	Cable Assy
26	56315303	2	Retaining, Strap
27	56315346	1	Plate
28	56315484	1	Trim, Edge NOTE 1
29	56315406	1	Tank, Recovery (std)
	56315407	1	Tank, Recovery NOTE 1
30	56315486	1	Strap, Linatex NOTE 1
31	56315487	1	Basket, Strainer NOTE 1
32	56315488	1	Adaptor, Hose Weldment NOTE 1
33#	56601405	1	Drain Hose NOTE 3
*#	56601411	1	Drain Hose Cap Kit
*#	56601413	1	Drain Hose kit NOTE 3
34	56315694	1	Hinge
35	56321532	1	Bushing .25x.37x.40 NOTE 1
36	56380763	1	Gasket NOTE 1
37	56391208	1	Vac Motor Assy (M4)
[]	56377001	1	Carbon Brush Set of 2
38	56410446	1	Adapter NOTE 1
39	56315375	1	Foam, Acoustical
*	56315597	1	Sound Reduction Kit
40	56440213	1	Clamp, Hose SAE #32
41	56456797	1	Clamp, Hose SAE #36
42	56477613	3	Tie, Cable

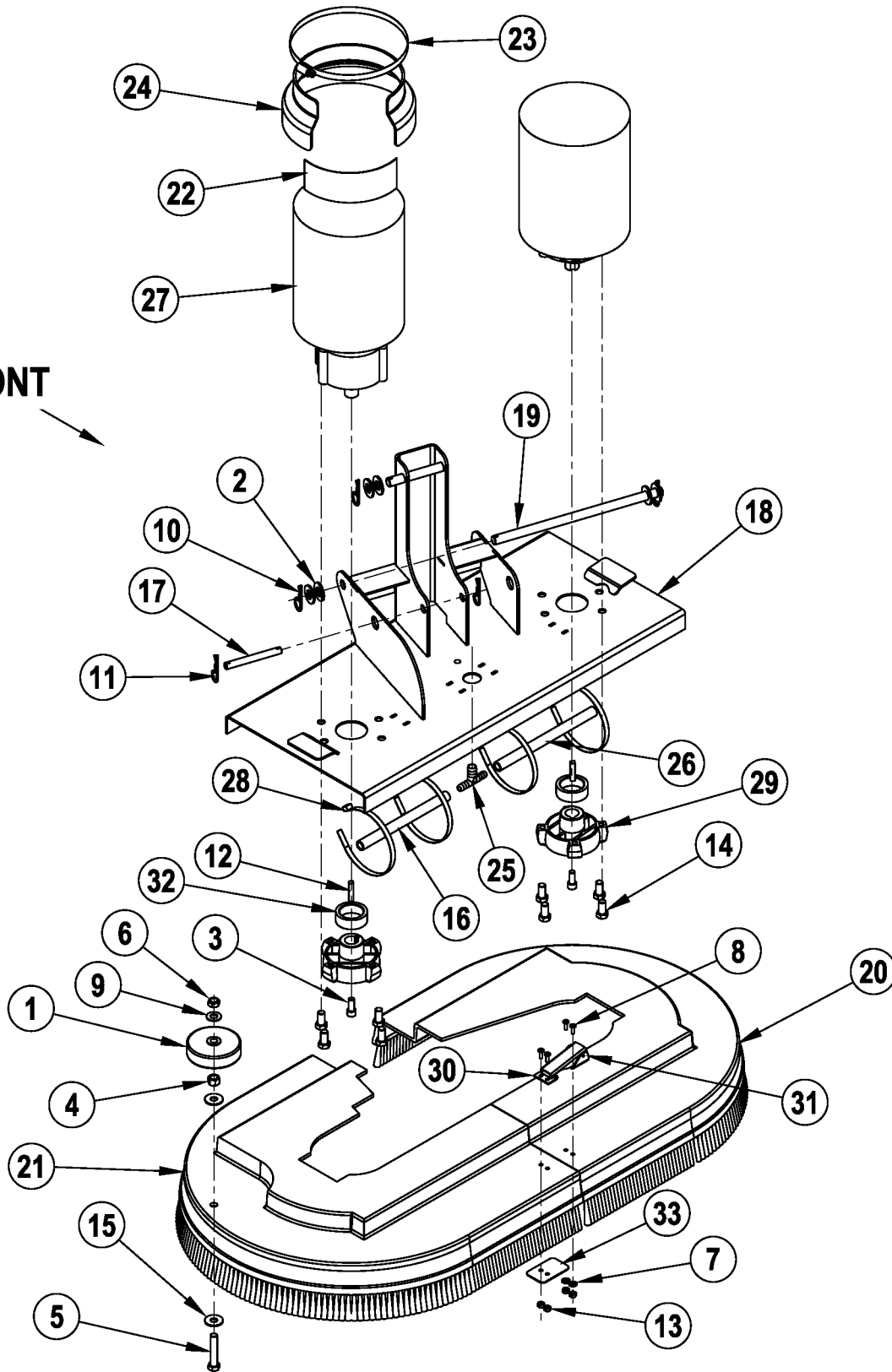
[] = Not Shown

* = Optional, Not Included

= Revised or new since last update

NOTE 1: These items are only found on model 56315902 with the recovery tank strainer.**NOTE 2:** Not used after March 2008.**NOTE 3:** Drain Hose 56315638 has been replaced by Drain Hose 56601405 in production. When replacing 56315638 you need to order Drain Hose Kit 56601413.

FRONT



Item	Ref. No.	Qty	Description
1	56324499	1	Wheel 3.00
2	56001879	6	Wsh, Flt Sae 1/2
3	56001959	2	Scr, Soc Hd 5/16-18 X 0.75
4	56002123	1	Nut, Hex Machine 3/8-16
5	56002470	1	Scr, Hex Thd To Hd 3/8-16 X 2.00
6	56002841	1	Nut, Hex Nyl Loc-Thin 3/8-16
7	56002875	2	Wsh, Flt Sae Ss #8
8	56002876	4	Scr, Pan Phil Ss 8-32 X .50
9	56002910	1	Wsh, Flt Sae Ss 3/8
10	56002959	3	Pin, Cotter Hair
11	56003120	2	Pin, Cotter Hair .0915 X .375
12	56003245	2	Key, Sq .25 X 1.19
13	56003309	4	Nut, Hex Nyl Loc-Thin Ss 8-32
14	56003338	8	Scr, Hex Loc Ss 3/8-16 X .75
15	56009213	2	Wsh, Flt .392x1.00x.075
16	56315060	1	Hose, Pvc .38id X 6.75
17	56315161	1	Pin
18	56315910	1	Deck Weldment
19	56315915	1	Pin, Linkage Pivot
20	56315950	1	Brush Housing Lh
	56315955	1	Brush Housing Assy – Left (Items 7, 8, 13, 20, 31)
21	56315951	1	Brush Housing Rh
	56315956	1	Brush Housing Assy – Right (Items 1, 4, 5, 6, 8, 9, 13, 15, 21, 30, 33)
22	56315952	1	Decal, Cover
23	56355488	1	Clamp, Hose Sae #96
24	56397112	1	Shroud, Motor
25	56397300	1	Tee, Barb
26	56397301	1	Hose, Pvc .38id X 7.50
27	56397316	2	Motor / Gear Unit Assembly 36v (M2 / M3)
[]	56397139	4	Carbon Brush
[]	56397138	4	Brush Spring
28	56477613	4	Tie, Cable
29	34400b	2	Gimble, Motor
30	55451a	1	Keeper, Latch
31	56057864	1	Latch, Draw
32	61658a	2	Collar, Brush Driver
33	69186a	1	Tab, Latch, Brush

Optional Brushes

[]	56315942	2	Pad Holder-17 Gimbal
[]	10384A	2	Brush, Light Grit
[]	11430B	2	Brush, Medium Grit
[]	11425B	2	Brush, Heavy Grit
[]	11424B	2	Brush, Polypropylene
[]	10875A	2	Brush, Nylon

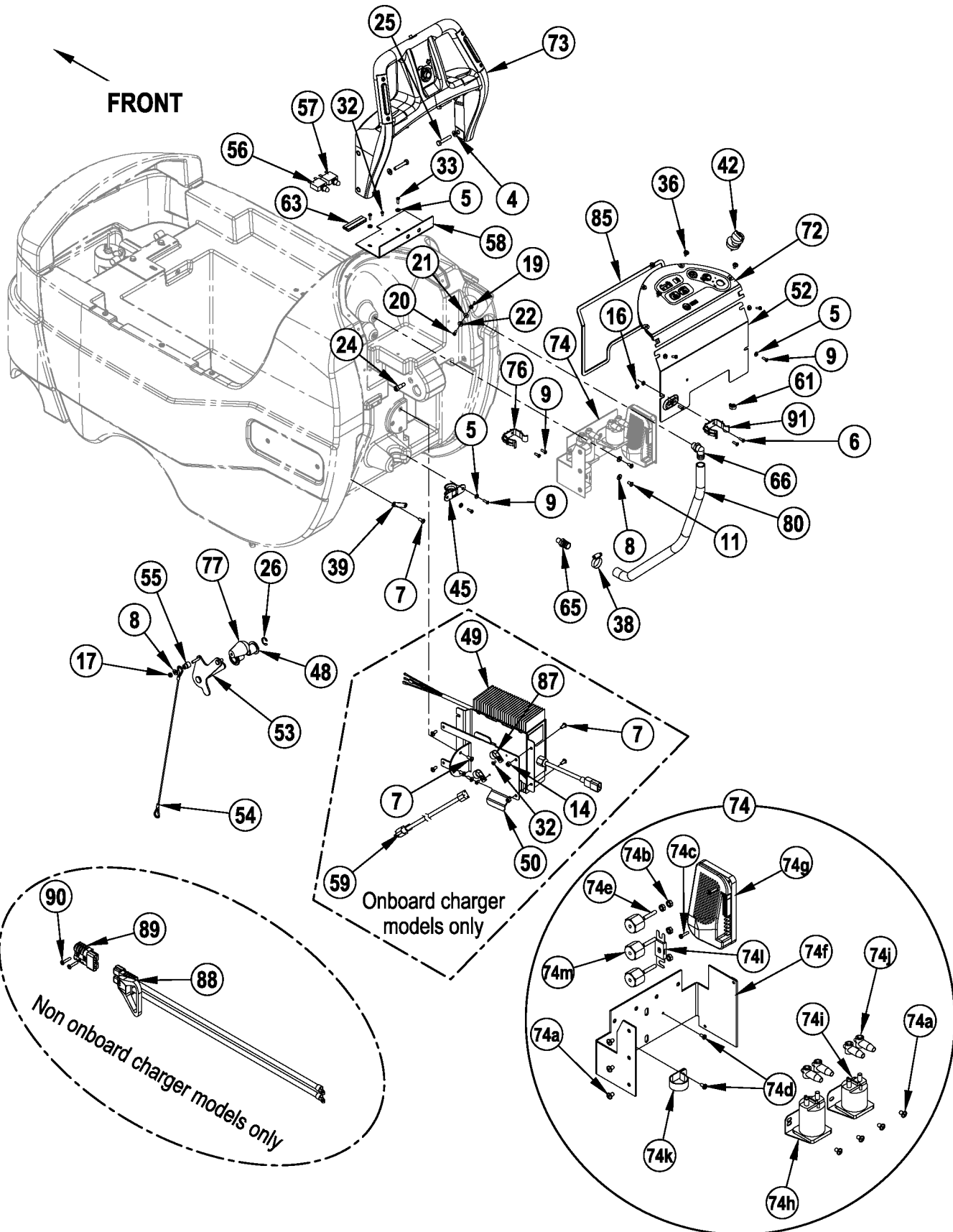
[] = Not Shown

Item	Ref. No.	Qty	Description	Item	Ref. No.	Qty	Description
1	56001818	2	Scr, Pan Phil 8-32 X .38	58	56315259	1	Plate, Circuit Breaker
2	56001832	4	Scr, Flt Phil 1/4-20 X 1.00	59	56315270	1	Charger Cord, Us NOTE 1
3	56001879	1	Wsh, Flt Sae 1/2	60	56315380	1	Bushing
4	56001939	4	Wsh, Flt Sae 5/16	61	56315382	1	Clip, Conduit
5	56001954	8	Wsh, Flt Sae #10	62	56315479	1	Bushing
6	56001993	2	Scr, Pan Phil 10-24 X .50	63	56315532	1	Gasket
7	56002066	8	Scr, Pan Phil 1/4-20 X .62 NOTE 1	64	56315625	1	Barb, Coupler 1/2 X 3/4
8	56002098	6	Wsh, Flt Sae 1/4	65	56315634	2	Barb, Adaptor 3/4 X 1/2 Npt
9	56002124	8	Scr, Pan Phil 10-24 X .62	66	56315683	1	Barb, 90 Elbow 3/4 X 3/8npt
10	56002140	2	Wsh, Flt Sae #8	67	56315686	1	Charge Connector Assy
11	56002145	5	Scr, Pan Phil 1/4-20 X .50	68	56315687	1	Charge Connector Assy
12	56002667	7	Scr, Hex 5/16-18 X .75	69	56315733	1	Tank, Solution
13	56002684	1	Scr, Hex 3/8-16 X 1.75	70	56315736	1	Pivot Weldment
14	56002708	4	Nut, Hex Nyl Loc 1/4-20 NOTE 1	71	56315744	1	Weldment, Actuator Mount
15	56002825	2	Scr, Pan Phil 1/4-20 X 1.25	72	56315924	1	Control Panel Assy
16	56002832	2	Nut, Hex Nyl Loc-Thin 10-24	73	56315930	1	Handle Assembly
17	56002840	1	Nut, Hex Nyl Loc-Thin 1/4-20	74	56315947	1	Assembly, Electrical Box (74a-74m)
18	56002841	1	Nut, Hex Nyl Loc-Thin 3/8-16	74a	56002462	7	Scr, Pan Phil 1/4-20 X .38
19	56002849	1	Nut, Hex Nyl Loc-Thin Ss 10-24	74b	56002561	4	Nut, Hex W/ Shprf 1/4-20
20	56002896	1	Scr, Pan Phil Ss 10-24 X .62	74c	56003698	2	Scr, Pan Phil Thd Form 8-32 X .75
21	56002916	2	Wsh, Flt Sae Ss #10	74d	56009030	2	Scr, Pan Phil Thd Form 10-24 X .38
22	56002919	1	Wsh, Flt Std Ss #10	74e	56009203	3	Stud, 1/4-20
23	56002959	1	Pin, Cotter Hair	74f	56315629	1	Panel, Electrical
24	56002962	1	Scr, Soc Shd .38 X .62 X 5/16-18	74g	56315925	1	Controller, Speed (A2)
25	56003005	4	Scr, Hex 5/16-18 X 1.75	74h	56395453	1	Contactora 36v, 200 Amp (K1 / Brush Motor)
26	56003266	1	Ring, Ret Ext Type E 0.75 Dia	74i	56395455	1	Contactora 36v, 100 Amp (K2 / Vac Motor)
27	56003312	1	Nut, Hex Nyl Loc M12-1.75	74j	56409538	4	Insulator, Terminal
28	56003679	1	Pin, Ring .50 X 1.63	74k	56410166	1	Clamp,P
29	56003708	1	Scr, Hex M12-1.75 X 55mm	74l	56412089	1	Fuse, 150 Amp (F1)
30	56003709	1	Scr, Hex Thd To Hd 1/4-20 X 1.50	74m	56469858	3	Standoff, Insulated
31	56009006	2	Scr, Pan Phil SS Type Ab 10-16 X 1.00	75	56315949	1	Nose Cone, One Piece
32	56009030	3	Scr, Pan Phil Thd Form 10-24 X .38 NOTE 1	76#	56331154	1	Clamp, Plastic
33	56009039	2	Scr, Hex Thd Form 10-24 X .50	77	56364527	1	Knob
34	56009087	1	Nut, Hex Jam 1/4-20	78	56365777	4	Lug, Brush Driver
35	56009122	7	Wsh, Flt .344 X .938 X .125	79	56370878	1	Bearing, Sleeve
36	56009206	4	Scr, Truss Phil-Blk 10-24x.50	80	56379139	1	Hose, Pvc
37	56219932	3	Clamp, Hose Sae #6	81	56387302	1	Hose, Solution
38	56244969	5	Clamp, Hose Sae #12	82	56396049	1	Lift Actuator Assembly (82a-82i)
39	56249884	1	Plate	82a	56009019	2	Scr, Hex Thd Form 1/4-20 X .38
40	56262180	1	Hose, Spiral .500	82b	56009062	4	Scr, Pan Phil Thd Form 1/4-20 X .50
41	56303275	1	Solenoid Valve Assy (L1)	82c	56393303	1	Actuator, Motor (M5)
42	56303553	1	Key Switch Assembly (S3)	[]#	56388520	1	Plastic Nut (for 56393303)
[]	56303526	A/R	Set of 2 Keys (for 56303553)	82d	56412071	1	Compression Spring
43	56305318	1	Hose, Spiral .750 X 10.5"	82e	56412262	1	Housing, Spring
44	56305591	1	Hose, Spiral .750 X 25"	82f	56420018	1	Compression Spring
45	56315121	1	Guide, Cable	82g	56420019	1	Nut Retainer
46	56315166	1	Plate	82h	56420020	1	Nut Retainer
47	56315191	1	Yoke, Actuator	82i	56396268	1	Spring Housing Guide
48	56315193	2	Bushing, Flange	83	56409152	1	Barb, 90 Elbow 1/2 X 1/2npt
49	56315204	1	Charger, On-Board 36v NOTE 1 / NOTE 3	84	56410254	1	Wire Rope, 6 Inch
#			TSBUS2007-979	85	56412285	1	Gasket, Elect. Cover
[]	56315747	1	Thermistor Repair Kit (for 56315204)	86	56469380	2	Clamp,P
50	56315206	1	Bracket, Charger NOTE 1	87	56486112	2	Clamp,P NOTE 1
51	56315219	1	Cover, Solution Fill	88	56398000	1	Connector Assy (to batteries) NOTE 2
52	56315222	1	Panel, Electrical	89	56315687	1	Connector Assy (to electrical box) NOTE 2
53	56315236	1	Weldment, Squeegee Lift	90	56002825	2	Scr, Pan Phil 1/4-20 x 1.25 NOTE 2
54	56315243	1	Cable Assy	91#	56396199	1	Clamp, Plastic
55	56315245	1	Bushing, Squeegee Cable	[]#	56325219	1	Tie, Cable
56	56315255	1	Circuit Breaker, 5 Amp (F2)				
57	56315256	1	Circuit Breaker, 30 Amp (F3)				

[] = Not Shown

= Revised or new since last update

NOTE 1: These items are only used on the following models: 56315901, 56315902, 56315903.**NOTE 2:** These items are only used on model 56315900.**NOTE 3:** The charger software can be programmed with a computer and the QuiQ Programmer kit 56315732.



Item	Ref. No.	Qty	Description	Item	Ref. No.	Qty	Description
1	56001818	2	Scr, Pan Phil 8-32 X .38	58	56315259	1	Plate, Circuit Breaker
2	56001832	4	Scr, Flt Phil 1/4-20 X 1.00	59	56315270	1	Charger Cord, US NOTE 1
3	56001879	1	Wsh, Flt Sae 1/2	60	56315380	1	Bushing
4	56001939	4	Wsh, Flt Sae 5/16	61	56315382	1	Clip, Conduit
5	56001954	8	Wsh, Flt Sae #10	62	56315479	1	Bushing
6	56001993	2	Scr, Pan Phil 10-24 X .50	63	56315532	1	Gasket
7	56002066	8	Scr, Pan Phil 1/4-20 X .62 NOTE 1	64	56315625	1	Barb, Coupler 1/2 X 3/4
8	56002098	6	Wsh, Flt Sae 1/4	65	56315634	2	Barb, Adaptor 3/4 X 1/2 Npt
9	56002124	8	Scr, Pan Phil 10-24 X .62	66	56315683	1	Barb, 90 Elbow 3/4 X 3/8npt
10	56002140	2	Wsh, Flt Sae #8	67	56315686	1	Charge Connector Assy
11	56002145	5	Scr, Pan Phil 1/4-20 X .50	68	56315687	1	Charge Connector Assy
12	56002667	7	Scr, Hex 5/16-18 X .75	69	56315733	1	Tank, Solution
13	56002684	1	Scr, Hex 3/8-16 X 1.75	70	56315736	1	Pivot Weldment
14	56002708	4	Nut, Hex Nyl Loc 1/4-20 NOTE 1	71	56315744	1	Weldment, Actuator Mount
15	56002825	2	Scr, Pan Phil 1/4-20 X 1.25	72	56315924	1	Control Panel Assy (A1)
16	56002832	2	Nut, Hex Nyl Loc-Thin 10-24	73	56315930	1	Handle Assembly
17	56002840	1	Nut, Hex Nyl Loc-Thin 1/4-20	74	56315947	1	Assembly, Electrical Box (74a-74m)
18	56002841	1	Nut, Hex Nyl Loc-Thin 3/8-16	74a	56002462	7	Scr, Pan Phil 1/4-20 X .38
19	56002849	1	Nut, Hex Nyl Loc-Thin Ss 10-24	74b	56002561	4	Nut, Hex W/ Shprf 1/4-20
20	56002896	1	Scr, Pan Phil Ss 10-24 X .62	74c	56003698	2	Scr, Pan Phil Thd Form 8-32 X .75
21	56002916	2	Wsh, Flt Sae Ss #10	74d	56009030	2	Scr, Pan Phil Thd Form 10-24 X .38
22	56002919	1	Wsh, Flt Std Ss #10	74e	56009203	3	Stud, 1/4-20
23	56002959	1	Pin, Cotter Hair	74f	56315629	1	Panel, Electrical
24	56002962	1	Scr, Soc Shd .38 X .62 X 5/16-18	74g	56315925	1	Controller, Speed (A2)
25	56003005	4	Scr, Hex 5/16-18 X 1.75	74h	56395453	1	Contacto 36v, 200 Amp (K1 / Brush Motor)
26	56003266	1	Ring, Ret Ext Type E 0.75 Dia	74i	56395455	1	Contacto 36v, 100 Amp (K2 / Vac Motor)
27	56003312	1	Nut, Hex Nyl Loc M12-1.75	74j	56409538	4	Insulator, Terminal
28	56003679	1	Pin, Ring .50 X 1.63	74k	56410166	1	Clamp,P
29	56003708	1	Scr, Hex M12-1.75 X 55mm	74l	56412089	1	Fuse, 150 Amp (F1)
30	56003709	1	Scr, Hex Thd To Hd 1/4-20 X 1.50	74m	56469858	3	Standoff, Insulated
31	56009006	2	Scr, Pan Phil SS Type Ab 10-16 X 1.00	75	56315949	1	Nose Cone, One Piece
32	56009030	3	Scr, Pan Phil Thd Form 10-24 X .38 NOTE 1	76#	56331154	1	Clamp, Plastic
33	56009039	2	Scr, Hex Thd Form 10-24 X .50	77	56364527	1	Knob
34	56009087	1	Nut, Hex Jam 1/4-20	78	56365777	4	Lug, Brush Driver
35	56009122	7	Wsh, Flt .344 X .938 X .125	79	56370878	1	Bearing, Sleeve
36	56009206	4	Scr, Truss Phil-Blk 10-24x.50	80	56379139	1	Hose, Pvc
37	56219932	3	Clamp, Hose Sae #6	81	56387302	1	Hose, Solution
38	56244969	5	Clamp, Hose Sae #12	82	56396049	1	Lift Actuator Assembly (82a-82i)
39	56249884	1	Plate	82a	56009019	2	Scr, Hex Thd Form 1/4-20 X .38
40	56262180	1	Hose, Spiral .500	82b	56009062	4	Scr, Pan Phil Thd Form 1/4-20 X .50
41	56303275	1	Solenoid Valve Assy (L1)	82c	56393303	1	Actuator, Motor (M5)
42	56303553	1	Key Switch Assembly (S3)	[]#	56388520	1	Plastic Nut (for 56393303)
[]	56303526	A/R	Set of 2 Keys (for 56303553)	82d	56412071	1	Compression Spring
43	56305318	1	Hose, Spiral .750 X 10.5"	82e	56412262	1	Housing, Spring
44	56305591	1	Hose, Spiral .750 X 25"	82f	56420018	1	Compression Spring
45	56315121	1	Guide, Cable	82g	56420019	1	Nut Retainer
46	56315166	1	Plate	82h	56420020	1	Nut Retainer
47	56315191	1	Yoke, Actuator	82i	56396268	1	Spring Housing Guide
48	56315193	2	Bushing, Flange	83	56409152	1	Barb, 90 Elbow 1/2 X 1/2npt
49	56315204	1	Charger, On-Board 36v NOTE 1 / NOTE 3	84	56410254	1	Wire Rope, 6 Inch
#			TSBUS2007-979	85	56412285	1	Gasket, Elect. Cover
[]	56315747	1	Thermistor Repair Kit (for 56315204)	86	56469380	2	Clamp,P
50	56315206	1	Bracket, Charger NOTE 1	87	56486112	2	Clamp,P NOTE 1
51	56315219	1	Cover, Solution Fill	88	56398000	1	Connector Assy (to batteries) NOTE 2
52	56315222	1	Panel, Electrical	89	56315687	1	Connector Assy (to electrical box) NOTE 2
53	56315236	1	Weldment, Squeegee Lift	90	56002825	2	Scr, Pan Phil 1/4-20 x 1.25 NOTE 2
54	56315243	1	Cable Assy	91#	56396199	1	Clamp, Plastic
55	56315245	1	Bushing, Squeegee Cable	[]#	56325219	1	Tie, Cable
56	56315255	1	Circuit Breaker, 5 Amp (F2)				
57	56315256	1	Circuit Breaker, 30 Amp (F3)				

[] = Not Shown

= Revised or new since last update

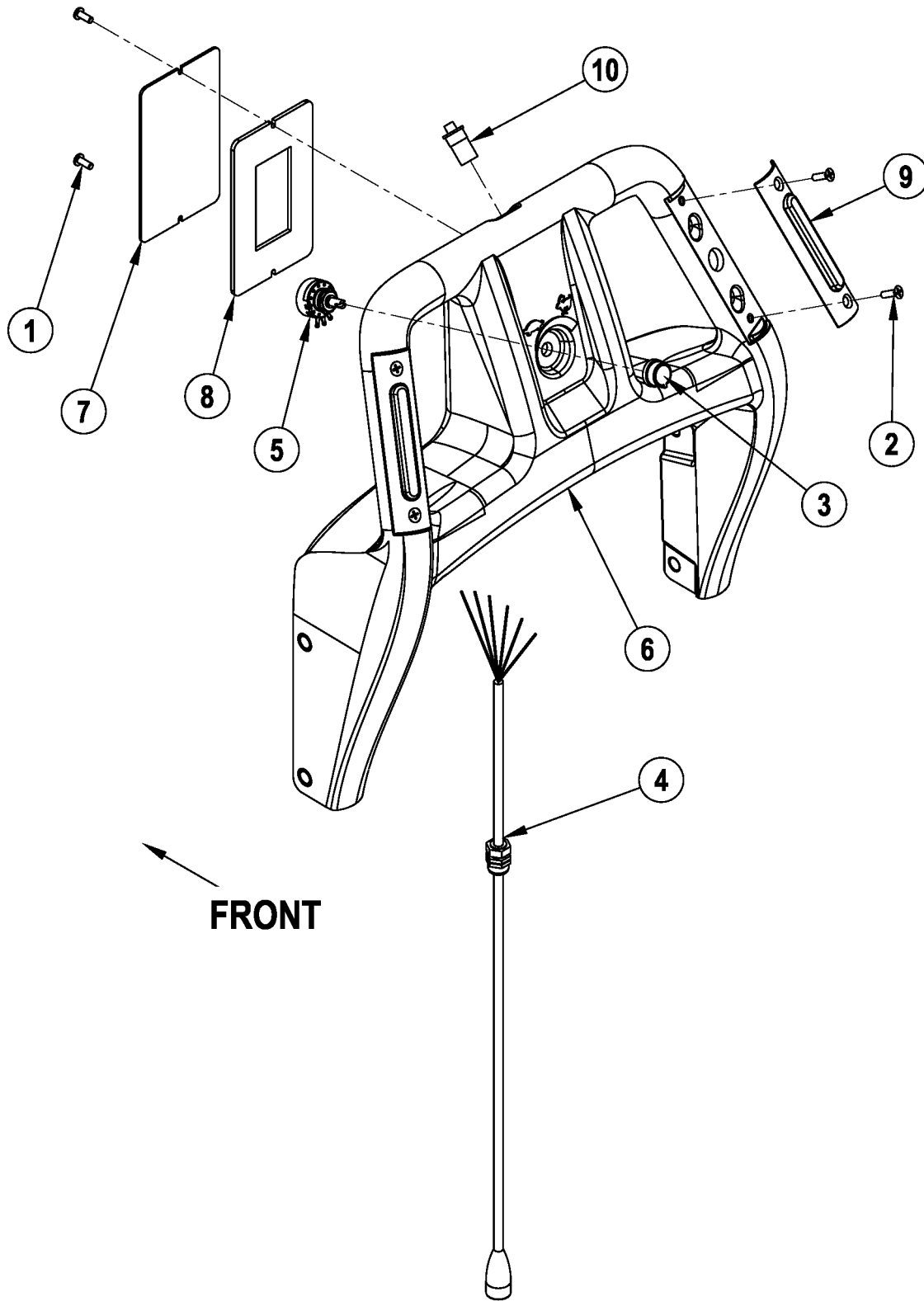
NOTE 1: These items are only used on the following models: 56315901, 56315902, 56315903.**NOTE 2:** These items are only used on model 56315900.**NOTE 3:** The charger software can be programmed with a computer and the QuiQ Programmer kit 56315732.

HANDLE ASSEMBLY

07-9

16

34 RST



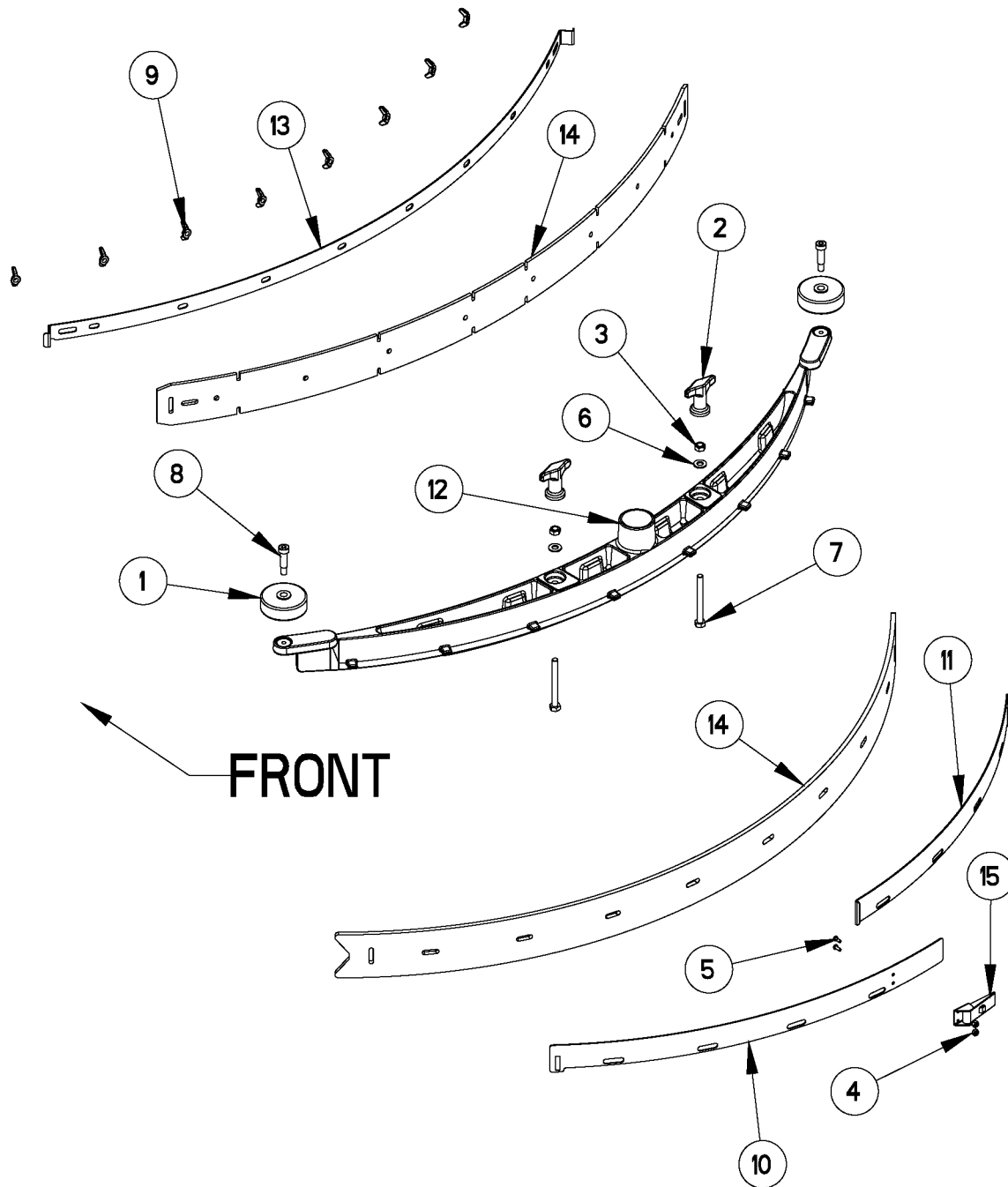
Item	Ref. No.	Qty	Description
	56315930	1	Handle Assembly
1	56002043	2	Scr, Pan Phil 10-24 X .38
2	56002178	4	Scr, Flt Phil 10-24 X .50
3	56315280	1	Knob
4	56315928	1	Harness, Handle
5	56315929	1	Potentiometer, 100k (R1)
6	56315931	1	Handle, Rotomold
7	56315932	1	Access Plate
8	56315933	1	Gasket, Access Panel
9	56315935	2	Palm Switch Assembly (S6 / S7)
10	56315945	1	Switch, Spst Mom. (S5)

SQUEEGEE ASSEMBLY

07-9

18

34 RST

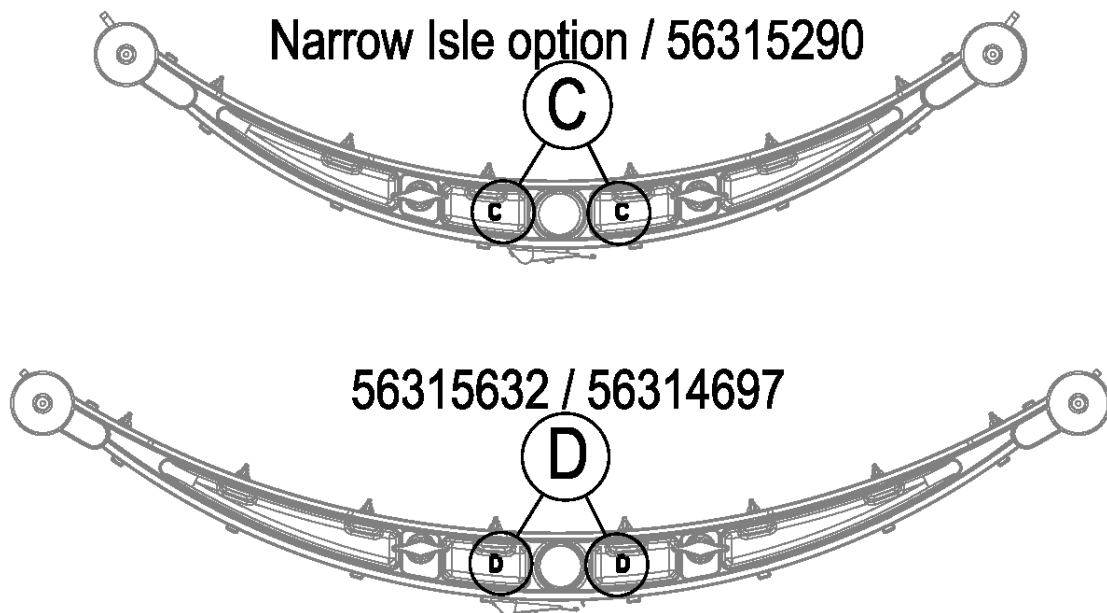


Item	Ref. No.	Qty	Description
	56315632	1	Squeegee Assembly "D" (STD)
#	56315290	1	Squeegee Assembly "C" (Narrow Isle Option)
1	56324350	2	Wheel
2	56370711	2	Nut, Thumb
3	56002851	2	Nut, Hex Nyl Loc-Thin Ss 5/16-18
4	56002907	2	Nut, Hex Nyl Loc SS 6-32
5	56002909	2	Scr, Pan Phil SS 6-32 X .38
6	56002938	2	Wsh, Flt Sae SS 5/16
7	56003736	2	Scr, Hex Thd to Hd SS 5/16-18 X 3.00
8	56003472	2	Scr, Soc Shd .38 X 1.00 X 5/16-18
9	56009111	8	Nut, Wing SS 1/4-20
10	56314691	1	Strap, Left Rear "D" (used on 56315632)
#	56314323	1	Strap, Left Rear "C" (used on 56315290)
11	56314692	1	Strap, Right Rear "D" (used on 56315632)
#	56314324	1	Strap, Right Rear "C" (used on 56315290)
12	56314694	1	Squeegee Tool, Cast "D" (used on 56315632)
#	56314325	1	Squeegee Tool, Cast "C" (used on 56315290)
13	56314696	1	Strap, Front "D" (used on 56315632)
#	56314322	1	Strap, Front "C" (used on 56315290)
14	56315674	1	Kit, Gum Rubber Squeegee Blade "D" (used on 56315632) NOTE 1
#	56315348	1	Kit, Gum Rubber Squeegee Blade "C" (used on 56315290) NOTE 1
15	56471194	1	Latch Assembly
			Squeegee Blade Kits for 56315632
*	56315674	1	Kit, Gum Rubber Squeegee Blade "D" NOTE 1
*	56314865	1	Kit, Linatex Squeegee Blade "D" NOTE 1
*	56314843	1	Kit, Neoprene Squeegee Blade "D" NOTE 1
			"C" Squeegee Blade Kits for 56315290
**#	56315348	1	Kit, Gum Rubber Squeegee Blade "C" NOTE 1
**#	56315352	1	Kit, Linatex Squeegee Blade "C" NOTE 1
**#	56314062	1	Kit, Neoprene Squeegee Blade "C" NOTE 1

* = Optional, Not Included

= Revised or new since last update

NOTE 1: All squeegee blade kits include both front and rear squeegee blades.



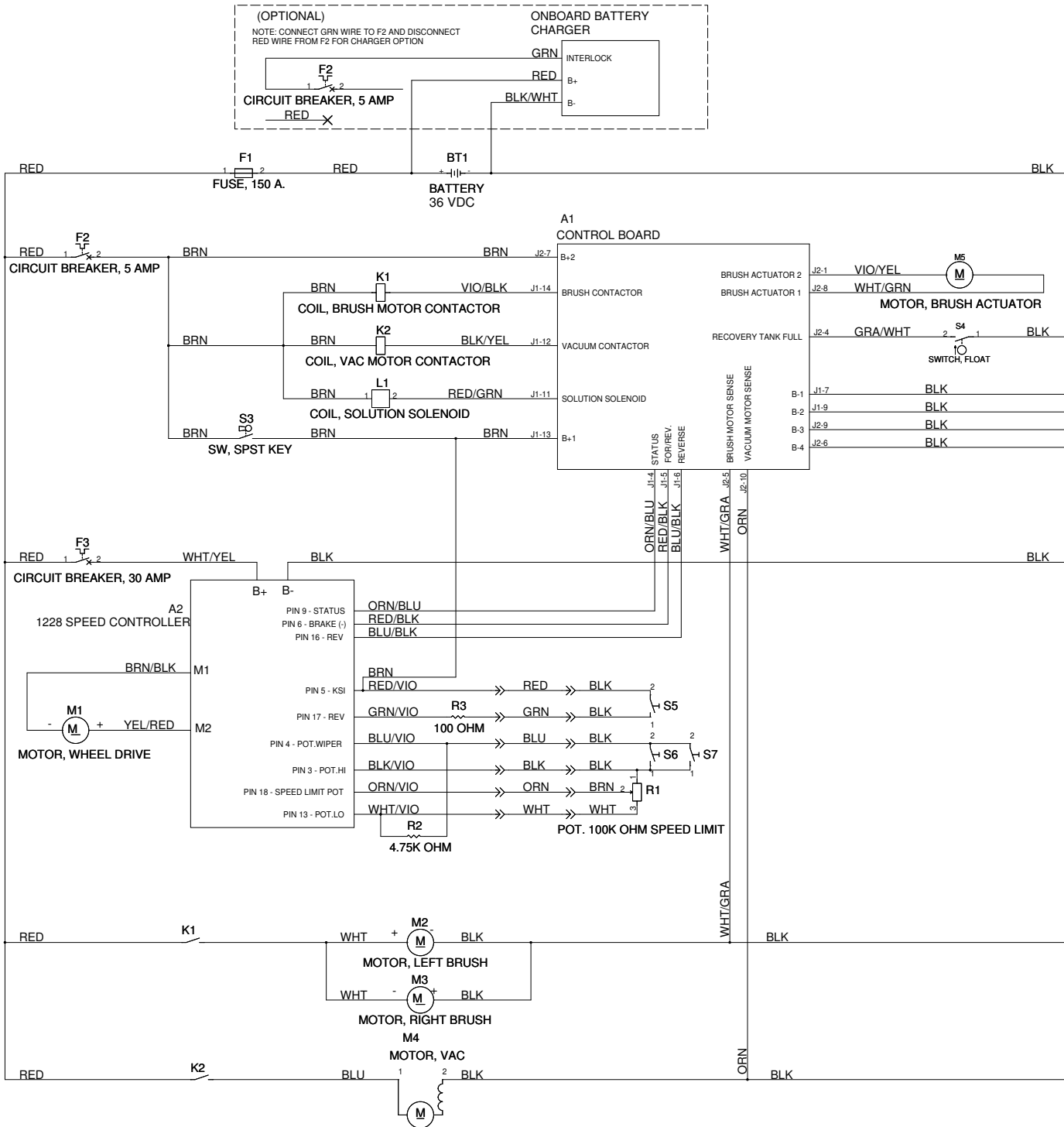
WIRING DIAGRAM

07-9

20

34 RST

08-4

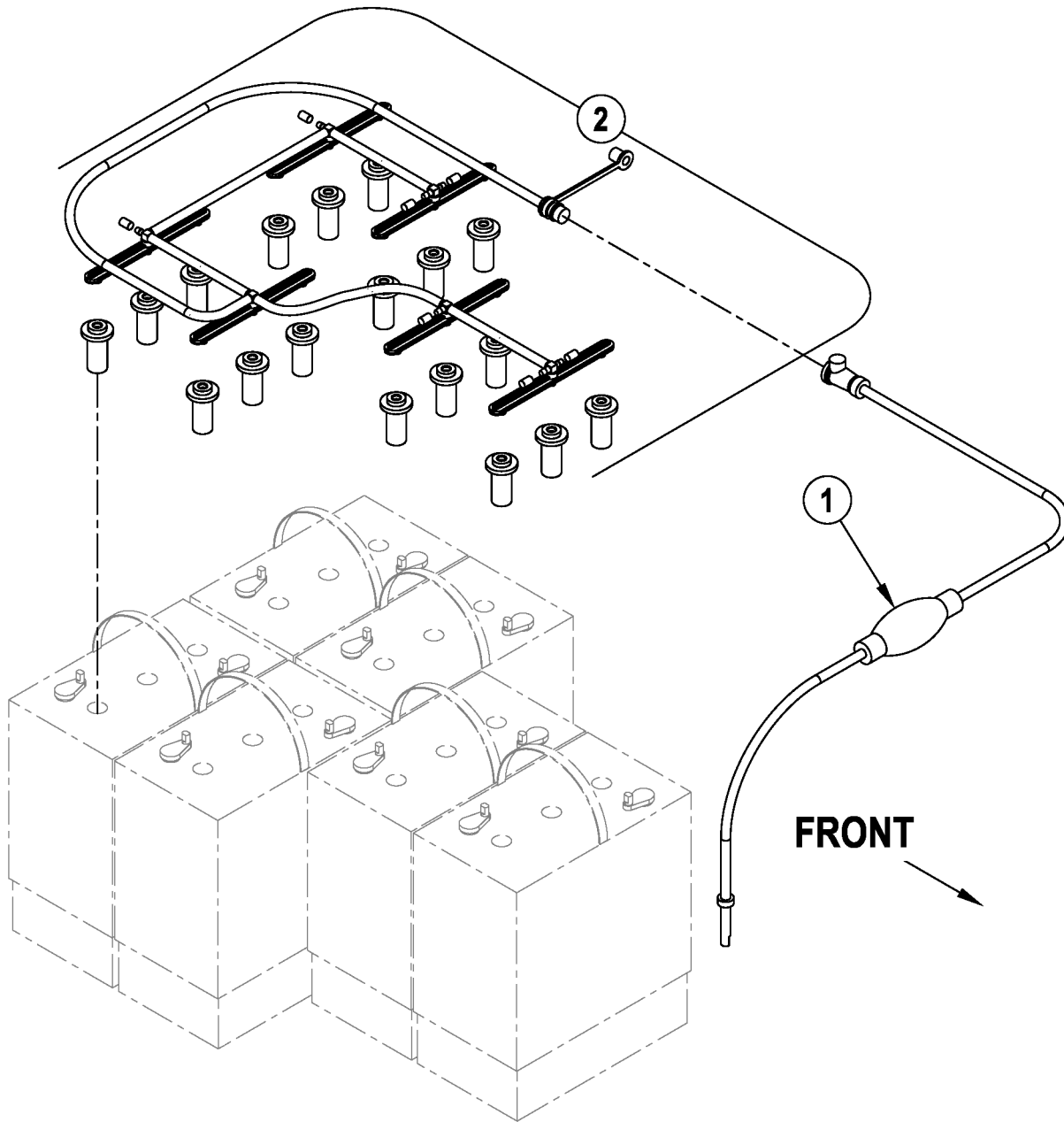


Item	Ref. No.	Qty	Description
A1	56315924	1	Control Panel Assy
A2	56315925	1	Speed Control
BT1	NA	6	Battery
F1	56412089	1	Fuse, 150 Amp
F2	56315255	1	Circuit Breaker, 5 Amp
F3	56315256	1	Circuit Breaker, 30 Amp
K1	56395453	1	Contactora, Brush Motor
K2	56395455	1	Contactora, Vac Motor
L1	56303275	1	Solenoid, Solution
M1	56315063	1	Transaxle, 36v
[]	56315676	1	Motor
[]	56315677	4	Carbon Brush
[]	56315678	2	Neoprene Mounting Sleeve
M2	56397316	1	Motor, Left Brush
[]	56397139	4	Carbon Brush
[]	56397138	4	Brush Spring
M3	56397316	1	Motor, Right Brush
[]	56397139	4	Carbon Brush
[]	56397138	4	Brush Spring
M4	56391208	1	Vac Motor Assy
[]	56377001	1	Carbon Brush Set of 2
M5	56393303	1	Motor, Brush Actuator
[#]	56388520	1	Plastic Nut
R1	56315929	1	Potentiometer, 100K Ohm, Speed Limit
R2	N/A	1	Resister, 4.7K Ohm (part of 56315920)
S3	56303553	1	Switch, Key
[]	56303526	A/R	Set of 2 Replacement Keys
S4	56315096	1	Switch, Float
S5	56315945	1	Switch, SPST MOM
S6	56315935	1	Switch, Palm Assy
S7	56315935	1	Switch, Palm Assy
[#]	56315204	1	Charger, Onboard 36V (Onboard Charger Models Only) NOTE 1 / TSBUS2007-979
[]	56315747	1	Thermister Repair Kit for 56315204
[]	56315920	1	Harness, Main
[]	56315750	1	Vacuum Harness
[]	56416445	3	Cable Assy 4 AWG (Battery Cables)
[]	56456460	2	Cable Assy 4 X 12 (Battery Cables)
[]	56372673	12	Boot, Battery Post
[]	56478523	2	Tie, Cable
[]	56478246	9	Tie, Cable
[]	56314119	2	Spacer. Battery

[] = Not Shown

= Revised or new since last update

NOTE 1: The charger software can be programmed with a computer and the QuiQ Programmer kit 56315732.



07-9

BATTERY WATERING SYSTEM (MODEL 56315903)

34 RST

23

Item	Ref. No.	Qty	Description
	56314974	1	Battery Watering System (items 1-2) (standard on model 56315903)
	56314981	1	Battery Watering Kit (includes 56314974 and instruction sheet 56040853)
1	56314978	1	Pump
2	56314979	1	Manifold Assembly

OPTIONAL KITS & ACCESSORIES

07-9

24

34 RST

08-4

Ref. No.	Qty	Description
----------	-----	-------------

Options

*	56315732	A/R	QuiQ Programmer Kit NOTE 2 TSBUS2007-979
*	9096219000	2	Wheel, Polyurethane – Traction
*	56314981	A/R	Battery Watering Kit
*	56315290	1	Squeegee Assy "C" (Narrow isle Option)
*	56314697	1	Squeegee Assy "D" (Linatex)
*#	56315958	1	Handle Lowering Kit

NOTE: Replacement parts for the kits listed above can be found on each kit's associated instruction sheet.

Squeegee Blade Kits for 56315632 / 56314697

*	56315674	1	Kit, Gum Rubber Squeegee Blade "D" NOTE 1
*	56314865	1	Kit, Linatex Squeegee Blade "D" NOTE 1
*	56314843	1	Kit, Neoprene Squeegee Blade "D" NOTE 1

Squeegee Blade Kits for 56315290

*	56315348	1	Kit, Gum Rubber Squeegee Blade "C" NOTE 1
*	56315352	1	Kit, Linatex Squeegee Blade "C" NOTE 1
*	56314062	1	Kit, Neoprene Squeegee Blade "C" NOTE 1

Accessories

*	56315316	A/R	Tote Bag
*	56409441	A/R	Programmer, 1307 User
*	56409823	A/R	Programmer Cable
*	56397453	6	Indicator, Battery Level (1 per battery)

Optional Batteries

*	56206117	6	Battery, 6v 195 A/H Wet
*	56206079	6	Battery, 6v 235 A/H Wet
*	56391391	6	Battery, 6v 305 A/H Wet
*	56206987	6	Battery, 6v 180a/H Gel
*#	56315959	6	Battery, 6v 315 A/H AGM
*#	56315772	6	Battery, 6v 255 A/H Sealed

Optional Battery Chargers

*	56395101	1	Charger, 36vdc Auto 20 Amp 120vac/60hz
*	56388502	1	Charger, 36vdc Auto 25 Amp 120vac/60hz
*	56388120	1	Charger, 36vdc Auto 36 Amp 120vac/60hz
*	56372190	1	Charger, 36vdc 20 Amp 230vac/50hz
*	56388119	1	Charger, 36vdc 36 Amp 230vac/50hz

* = Optional, Not Included

NOTE 1: All squeegee blade kits include both front and rear squeegee blades.

NOTE 2: The charger software can be programmed with a computer and the QuiQ Programmer kit 56315732.

We provide brushes and pad holders that will give you the best possible performance between machine and floor. Following are descriptions of the materials and their applications.

- 10384A Lite Grit: Least aggressive grit brush for general medium duty scrubbing on terrazzo, sealed and unsealed concrete, less aggressive than Clean Grit or Super Grit brushes.
- 110430A Clean Grit: Medium duty scrubbing for tough soils on concrete, tile and other resilient floors. Most popular choice of the grit brushes.
- 11425B Super Grit: Most aggressive of the grit brushes for heavy duty scrubbing on hard floors.
- 11424B Polypropylene: Designed for medium-duty scrubbing on concrete, terrazzo and vinyl floor tile.
- 10875A Nylon: For light duty scrubbing applications.

BRUSHES

- 56315942 - Pad Holder-17 Gimbal
- 10384A - Light Grit
- 11430B - Medium Grit
- 11425B - Heavy Grit
- 11424B - Polypropylene
- 10875A - Nylon



**Nilfisk
Advance**

setting standards

Nilfisk-Advance, Inc.
14600 21st Avenue North
Plymouth, MN 55447-3408
www.nilfisk-advance.com
Phone: 800-989-2235
Fax: 800-989-6566
©2008 Nilfisk-Advance, Inc.