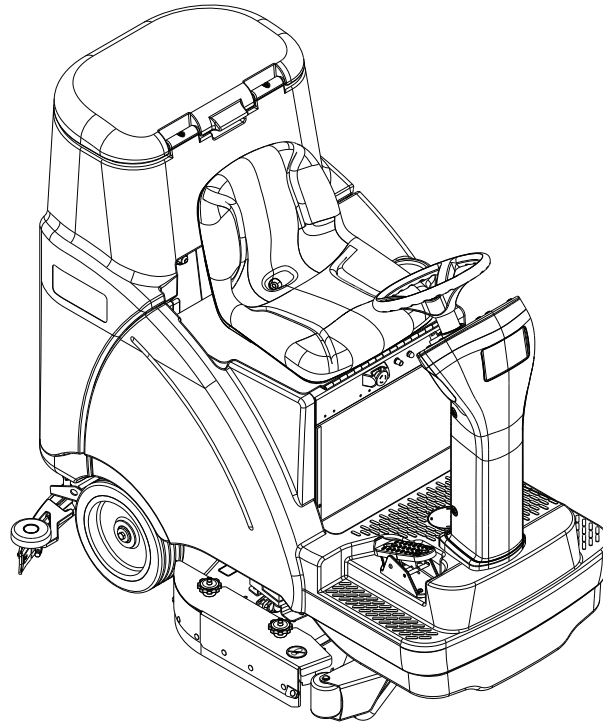


# Clarke®

## FOCUS® II RIDER

### AUTOSCRUBBER®



**Instructions For Use - Original Instructions / Instrucciones de uso / Mode d'emploi**  
**Models: 56114000 (28D), 56114001 (34D OBC), 56114002 (34D)**  
**56114003 (28B), 56114009 (28B OBC), 56114010 (28D OBC)**  
**This manual is only for machines manufactured before July 2014**



**READ THIS BOOK**  
**LEA ESTE MANUAL**  
**LISEZ CE MANUEL**



**EN** English (A2 - A20)  
**ES** Español (B2 - B20)  
**FR** Français (C2 - C20)

This book has important information for the use and safe operation of this machine. Failure to read this book prior to operating or attempting any service or maintenance procedure to your Clarke machine could result in injury to you or to other personnel; damage to the machine or to other property could occur as well. You must have training in the operation of this machine before using it. If your operator(s) cannot read this manual, have it explained fully before attempting to operate this machine.

All directions given in this book are as seen from the operator's position at the rear of the machine.

## TABLE OF CONTENTS

	<b>Page</b>
Introduction.....	A-2
Cautions and Warnings.....	A-3
Know Your Machine.....	A-4 – A-5
Control Panel.....	A-6
<b>Prepare the Machine for Use</b>	
Install the Batteries.....	A-7
Install the Brushes.....	A-8 - A-9
Install the Squeegee.....	A-10
Fill the Solution Tank.....	A-10
Detergent System.....	A-11
<b>Operating the Machine</b>	
Scrubbing.....	A-12 - A-13
Wet Vacuuming.....	A-12 - A-13
After Use.....	A-14
Maintenance Schedule.....	A-14
Lubricating the Machine.....	A-14 - A-15
Charging the Batteries (Wet).....	A-16
Check the Battery Water Level.....	A-16
Charging the Batteries (Gel).....	A-16
Squeegee Maintenance.....	A-17
Squeegee Adjustment.....	A-17
Side Skirt Maintenance.....	A-18
Side Skirt Maintenance.....	A-18
Troubleshooting.....	A-19
Technical Specifications.....	A-20

## INTRODUCTION

This manual will help you get the most from your Clarke Rider Scrubber. Read it thoroughly before operating the machine.

**Note: Bold numbers in parentheses indicate an item illustrated on pages A-4 – A-6.**

This machine is only suitable for commercial use, for example in hotels, schools, hospitals, factories, shops, offices and rental businesses. The Focus II Rider is a battery powered floor cleaning machine.

## PARTS AND SERVICE

Repairs, when required, should be performed by your Authorized Clarke Service Center, who employs factory trained service personnel, and maintains an inventory of Clarke original replacement parts and accessories.

Call the CLARKE DEALER named below for repair parts or service. Please specify the Model and Serial Number when discussing your machine.

## MODIFICATIONS

Modifications and additions to the cleaning machine which affect capacity and safe operation shall not be performed by the customer or user without prior written approval from Nilfisk-Advance Inc. Unapproved modifications will void the machine warranty and make the customer liable for any resulting accidents.

## NAME PLATE

The Model Number and Serial Number of your machine are shown on the Nameplate on the machine. This information is needed when ordering repair parts for the machine. Use the space below to note the Model Number and Serial Number of your machine for future reference.

MODEL NUMBER \_\_\_\_\_

SERIAL NUMBER \_\_\_\_\_

## UNCRATE THE MACHINE

When the machine is delivered, carefully inspect the shipping packaging and the machine for damage. If damage is evident, save the shipping carton (if applicable) so that it can be inspected. Contact the Clarke Customer Service Department immediately to file a freight damage claim. Refer to the unpacking instruction sheet included with the machine to remove the machine from the pallet.

## WARNING!

The Products sold with this Manual contain or may contain chemicals that are known to certain governments (such as the State of California, as identified in its Proposition 65 Regulatory Warning Law) to cause cancer, birth defects or other reproductive harm. In certain locations (including the State of California) purchasers of these Products that place them in service at an employment job site or a publicly accessible space are required by regulation to make certain notices, warnings or disclosures regarding the chemicals that are or may be contained in the Products at or about such work sites. It is the purchaser's responsibility to know the content of, and to comply with, any laws and regulations relating to the use of these Products in such environments. The Manufacturer disclaims any responsibility to advise purchasers of any specific requirements that may be applicable to the use of the Products in such environments.

## CAUTIONS AND WARNINGS

### SYMBOLS

Clarke uses the symbols below to signal potentially dangerous conditions. Always read this information carefully and take the necessary steps to protect personnel and property.

This machine is for commercial use, for example in hotels, schools, hospitals, factories, shops and offices other than normal residential housekeeping purposes.

#### **DANGER!**

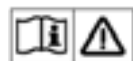
Is used to warn of immediate hazards that will cause severe personal injury or death.

#### **WARNING!**

Is used to call attention to a situation that could cause severe personal injury.

#### **CAUTION!**

Is used to call attention to a situation that could cause minor personal injury or damage to the machine or other property.



Read all instructions before using.

## GENERAL SAFETY INSTRUCTIONS

Specific Cautions and Warnings are included to warn you of potential danger of machine damage or bodily harm.

#### **WARNING!**

- \* This machine shall be used only by properly trained and authorized persons.
- \* This machine is not intended for use by persons (including children) with reduced physical, sensory or mental capabilities, or lack of experience and knowledge.
- \* While on ramps or inclines, avoid sudden stops. Avoid abrupt sharp turns. Use low speed down ramps.
- \* Keep sparks, flame and smoking materials away from batteries. Explosive gases are vented during normal operation.
- \* Charging the batteries produces highly explosive hydrogen gas. Charge batteries only in well-ventilated areas, away from open flame. Do not smoke while charging the batteries.
- \* Remove all jewelry when working near electrical components.
- \* Turn the key switch off (O) and disconnect the batteries before servicing electrical components.
- \* Never work under a machine without safety blocks or stands to support the machine.
- \* Do not dispense flammable cleaning agents, operate the machine on or near these agents, or operate in areas where flammable liquids exist.
- \* Do not clean this machine with a pressure washer.
- \* Only use the brushes provided with the appliance or those specified in the instruction manual. The use of other brushes may impair safety.

#### **CAUTION!**

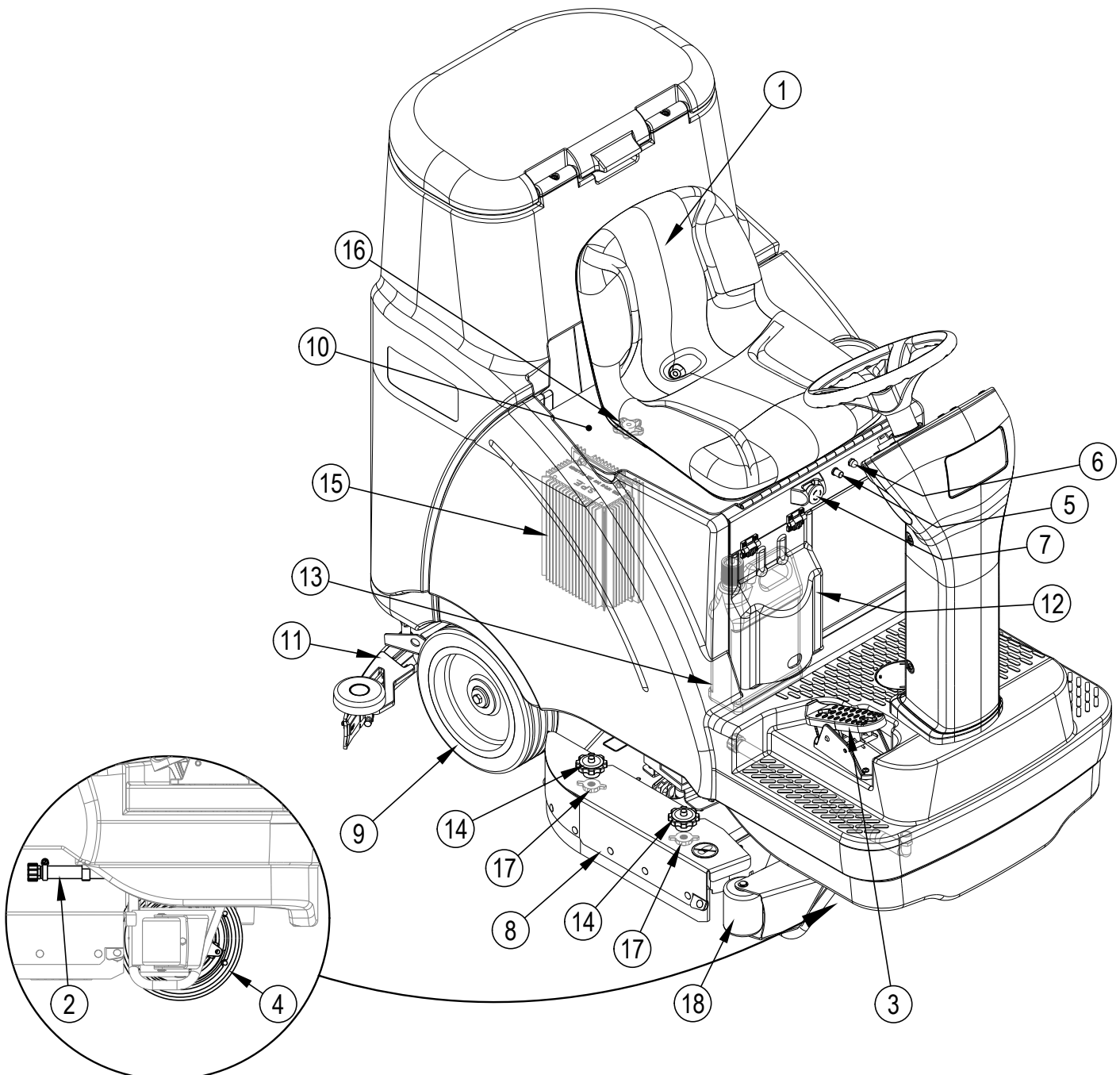
- \* This machine is not approved for use on public paths or roads.
- \* This machine is not suitable for picking up hazardous dust.
- \* Do not use scarifier discs and grinding stones. Clarke will not be held responsible for any damage to floor surfaces caused by scarifiers or grinding stones (can also cause damage to the brush drive system).
- \* When operating this machine, ensure that third parties, particularly children, are not endangered.
- \* Before performing any service function, carefully read all instructions pertaining to that function.
- \* Do not leave the machine unattended without first turning the key switch off (O), removing the key and applying the parking brake.
- \* Turn the key switch off (O) and remove the key, before changing the brushes, and before opening any access panels.
- \* Take precautions to prevent hair, jewelry, or loose clothing from becoming caught in moving parts.
- \* Use caution when moving this machine in below freezing temperature conditions. Any water in the solution, recovery or detergent tanks or in the hose lines could freeze, causing damage to valves and fittings. Flush with windshield washer fluid.
- \* The batteries must be removed from the machine before the machine is scrapped. The disposal of the batteries should be safely done in accordance with your local environmental regulations.
- \* Do not use on surfaces having a gradient exceeding that marked on the machine.
- \* All doors and covers are to be positioned as indicated in the instruction manual before using the machine.
- \* This machine should only be used and stored indoors.

## SAVE THESE INSTRUCTIONS

## KNOW YOUR MACHINE

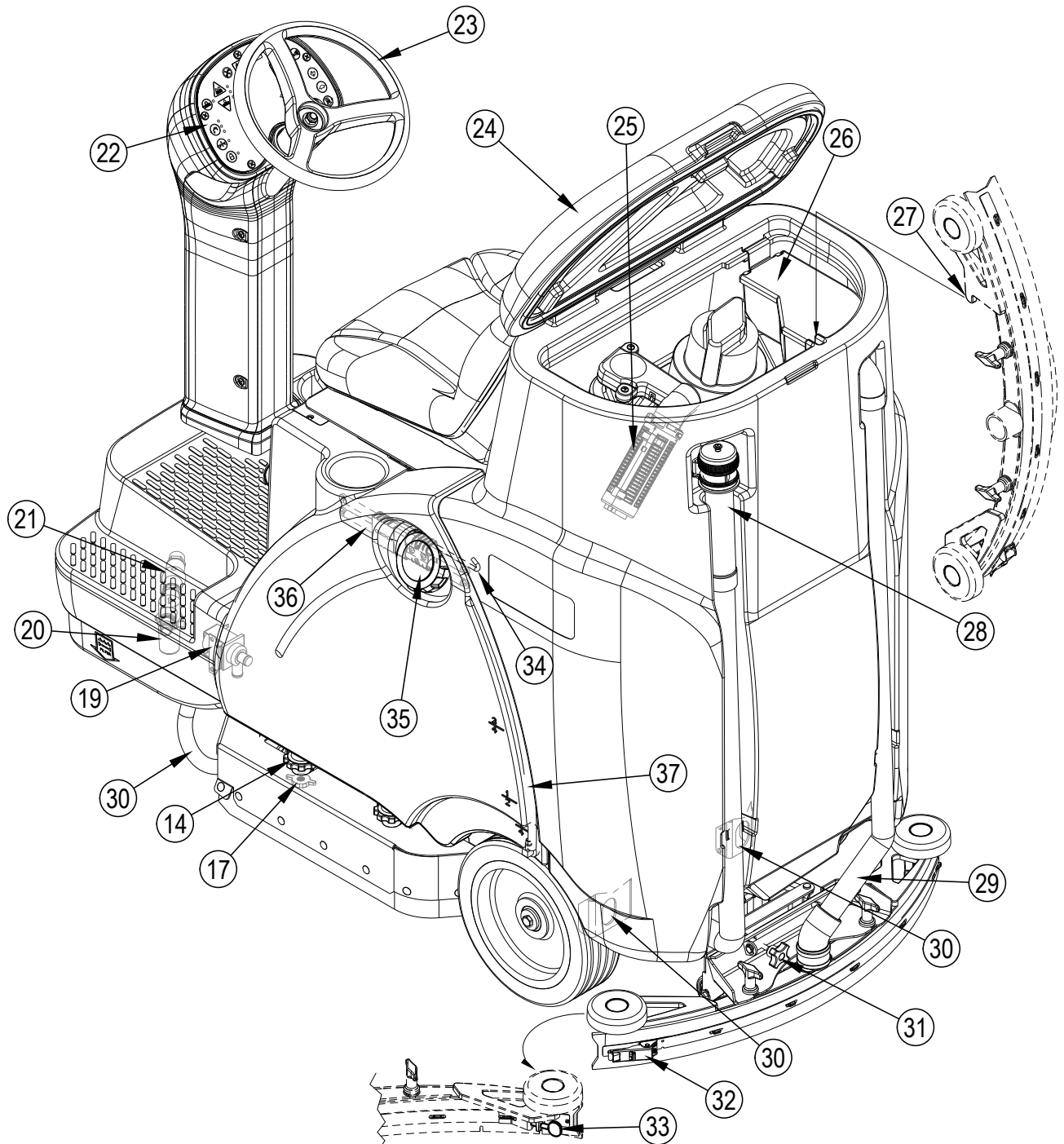
As you read this manual, you will occasionally run across a bold number or letter in parentheses - example: **(2)**. These numbers refer to an item shown on these pages unless otherwise noted. Refer back to these pages whenever necessary to pinpoint the location of an item mentioned in the text. **NOTE:** Refer to the service manual for detailed explanations of each item illustrated on the next 4 pages.

- |           |   |           |   |
|-----------|---|-----------|---|
| <b>1</b>  | <b>Operator's Seat</b>                          | <b>11</b> | <b>Squeegee Assembly</b>  |
| <b>2</b>  | <b>Solution Tank Drain Hose</b>                 | <b>12</b> | <b>Detergent Container Access Cover (detergent models only)</b>   |
| <b>3</b>  | <b>Drive Pedal</b>                              | <b>13</b> | <b>Detergent Container (detergent models only / not included)</b> |
| <b>4</b>  | <b>Drive Wheel</b>                              | <b>14</b> | <b>Deck Skirt Removal Knobs</b>                                   |
| <b>5</b>  | <b>Drive Wheel Circuit Breaker (70 Amp)</b>     | <b>15</b> | <b>Battery Charger (optional / under seat)</b>                    |
| <b>6</b>  | <b>Control Circuit Circuit Breaker (10 Amp)</b> | <b>16</b> | <b>Seat Adjustment Knob</b>                                       |
| <b>7</b>  | <b>Emergency Stop</b>                           | <b>17</b> | <b>Deck Skirt Height Adjustment Knob</b>                          |
| <b>8</b>  | <b>Scrub Deck</b>                               | <b>18</b> | <b>Front Roller Bumper</b>  |
| <b>9</b>  | <b>Rear Wheel</b>                               |           |   |
| <b>10</b> | <b>Battery Compartment Cover</b>                |           |   |



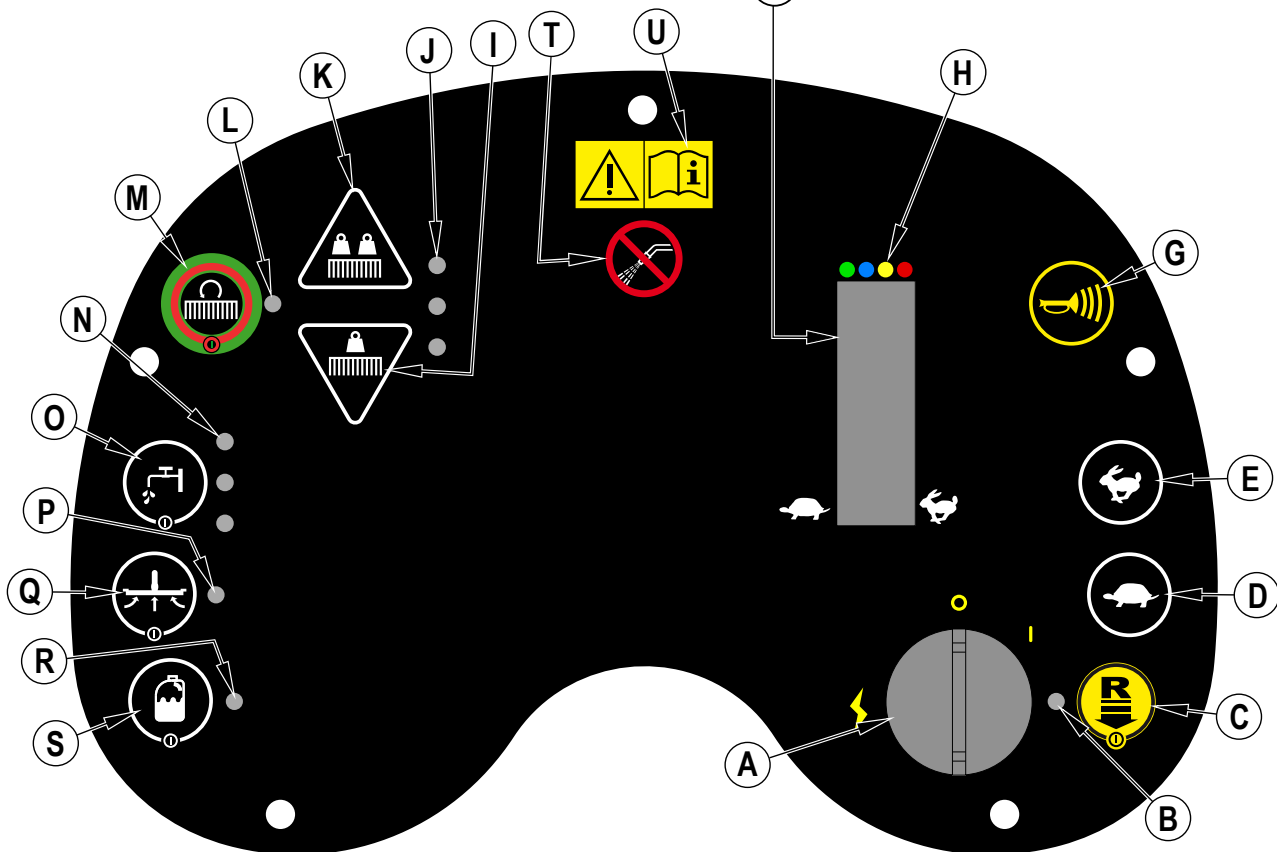
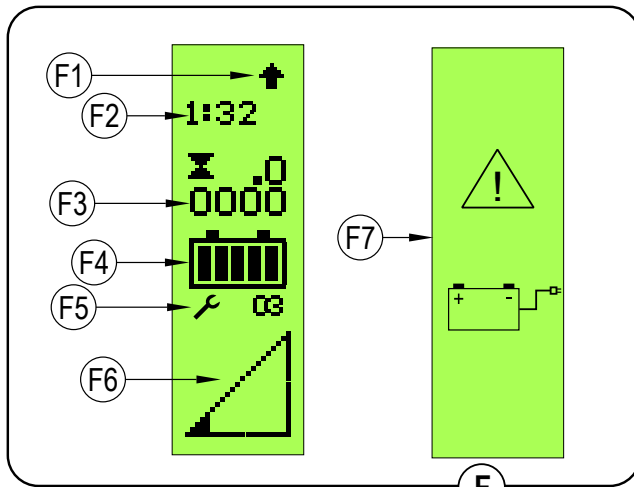
## KNOW YOUR MACHINE

- |    |                             |    |  |
|----|-----------------------------|----|--|
| 19 | Solution Solenoid Valve     | 29 | Recovery Hose                          |
| 20 | Solution Filter             | 30 | Tie Down Locations                     |
| 21 | Solution Shutoff Valve      | 31 | Squeegee Tilt Adjustment Knob          |
| 22 | Control Panel               | 32 | Rear Squeegee Blade Removal Latch      |
| 23 | Steering Wheel              | 33 | Front Squeegee Blade Removal Thumb Nut |
| 24 | Recovery Tank Cover         | 34 | Seat Prop-Rod                          |
| 25 | Recovery Tank Shutoff Float | 35 | Solution Tank Fill Cover               |
| 26 | Strainer Basket             | 36 | Machine Battery Connector              |
| 27 | Squeegee Storage Hook       | 37 | Solution Tank Level Sight Tube         |
| 28 | Recovery Tank Drain Hose    |    |  |



### CONTROL PANEL

- |    |  |   |                                |   |   |
|----|--|---|--------------------------------|---|---|
| A  | Key Switch                                 | H | Detergent Strength Symbols     | P | Vacuum ON/OFF LED                         |
| B  | Reverse LED                                | I | Brush Pressure Decrease Switch | Q | Vacuum ON/OFF Switch                      |
| C  | Forward / Reverse Switch                   | J | Brush Pressure LEDs            | R | Detergent ON/OFF LED                      |
| D  | Speed Decrease Switch                      |   | TOP = HIGH                     | S | Detergent Control Switch                  |
| E  | Speed Increase Switch                      |   | MIDDLE = MEDIUM                | T | Do Not Pressure Wash Symbol               |
| F  | Graphic Display                            |   | BOTTOM = LOW                   | U | Read All Instructions Before Using Symbol |
| F1 | Detergent Strength Indicator (points at H) | K | Brush Pressure Increase Switch |   |   |
| F2 | Detergent Ratio Indicator                  | L | Scrub ON/OFF LED               |   |   |
| F3 | Hour Meter                                 | M | Scrub ON/OFF Switch            |   |   |
| F4 | Battery Indicator                          | N | Solution Flow Rate LEDs        |   |   |
| F5 | Fault Codes                                |   | TOP = HIGH                     |   |   |
| F6 | Speed Indicator                            |   | MIDDLE = MEDIUM                |   |   |
| F7 | Battery Low Indicator                      |   | BOTTOM = LOW                   |   |   |
| G  | Horn Switch                                | O | Solution Control Switch        |   |   |



## BATTERIES

If your machine shipped with batteries installed do the following:

- Check that the batteries are connected to the machine (36).
- Turn ON the Key Switch (A) and check the Battery Indicator (F4). If the gauge is completely filled the batteries are ready for use. If the gauge is less than full the batteries should be charged before use. See the "Charging The Batteries" section.
- **IMPORTANT!:** IF YOUR MACHINE HAS AN ONBOARD BATTERY CHARGER REFER TO THE OEM PRODUCT MANUAL FOR INSTRUCTIONS REGARDING SETTING THE CHARGER FOR BATTERY TYPE.

If your machine shipped without batteries installed do the following:

- Consult your Authorized Clarke dealer for recommended batteries.
- Install the batteries by following the instructions below.
- **DO NOT install two 12 volt batteries in your machine. This affects the stability of the machine.**
- **IMPORTANT!:** IF YOUR MACHINE HAS AN ONBOARD BATTERY CHARGER REFER TO THE OEM PRODUCT MANUAL FOR INSTRUCTIONS REGARDING SETTING THE CHARGER FOR BATTERY TYPE.

## INSTALL THE BATTERIES



### WARNING !

Use extreme caution when working with batteries. Sulfuric acid in batteries can cause severe injury if allowed to contact the skin or eyes. Explosive hydrogen gas is vented from inside the batteries through openings in the battery caps. This gas can be ignited by any electrical arc, spark or flame. If battery acid makes contact with your skin, flush the affected area with water for 5 minutes and seek medical attention.

**When Servicing Batteries...**

- \* Remove all jewelry.
- \* Do not smoke.
- \* Wear safety glasses, a rubber apron and rubber gloves.
- \* Work in a well-ventilated area.
- \* Do not allow tools to touch more than one battery terminal at a time.
- \* ALWAYS disconnect the negative (ground) cable first when replacing batteries to prevent sparks.
- \* ALWAYS connect the negative cable last when installing batteries.



### CAUTION !

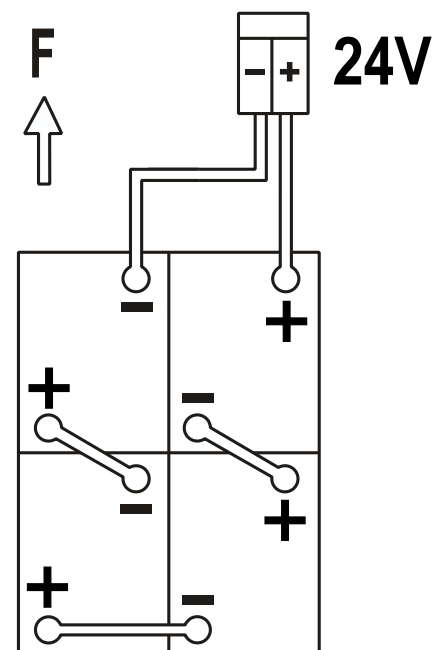
Electrical components in this machine can be severely damaged if the batteries are not installed and connected properly. Batteries should be installed by Clarke or by a qualified electrician.

- 1 Turn the Key Switch (A) off (O) and remove the key. Then swing open the Battery Compartment Cover (10) and set the Seat Prop-Rod (34).
- 2 Using (2) people and an appropriate lifting strap, carefully lift the batteries into the compartment tray exactly as shown. Refer to decal 56601416 battery cable layout.
- 3 **See Figure 1.** Install battery cables as shown and tighten the nuts on the battery terminals.
- 4 Install the battery boots and secure tightly to the battery cables with the supplied tie straps.
- 5 Connect the battery pack connector to the machine connector (36) and close the battery compartment cover.

When changing batteries or the charger, please contact your local authorized service center for correct battery, charger and machine settings to prevent battery damage.

FIGURE 1

420 Ah, 20 Hr. Rate



## INSTALL THE BRUSHES (DISC SYSTEM)

### CAUTION !

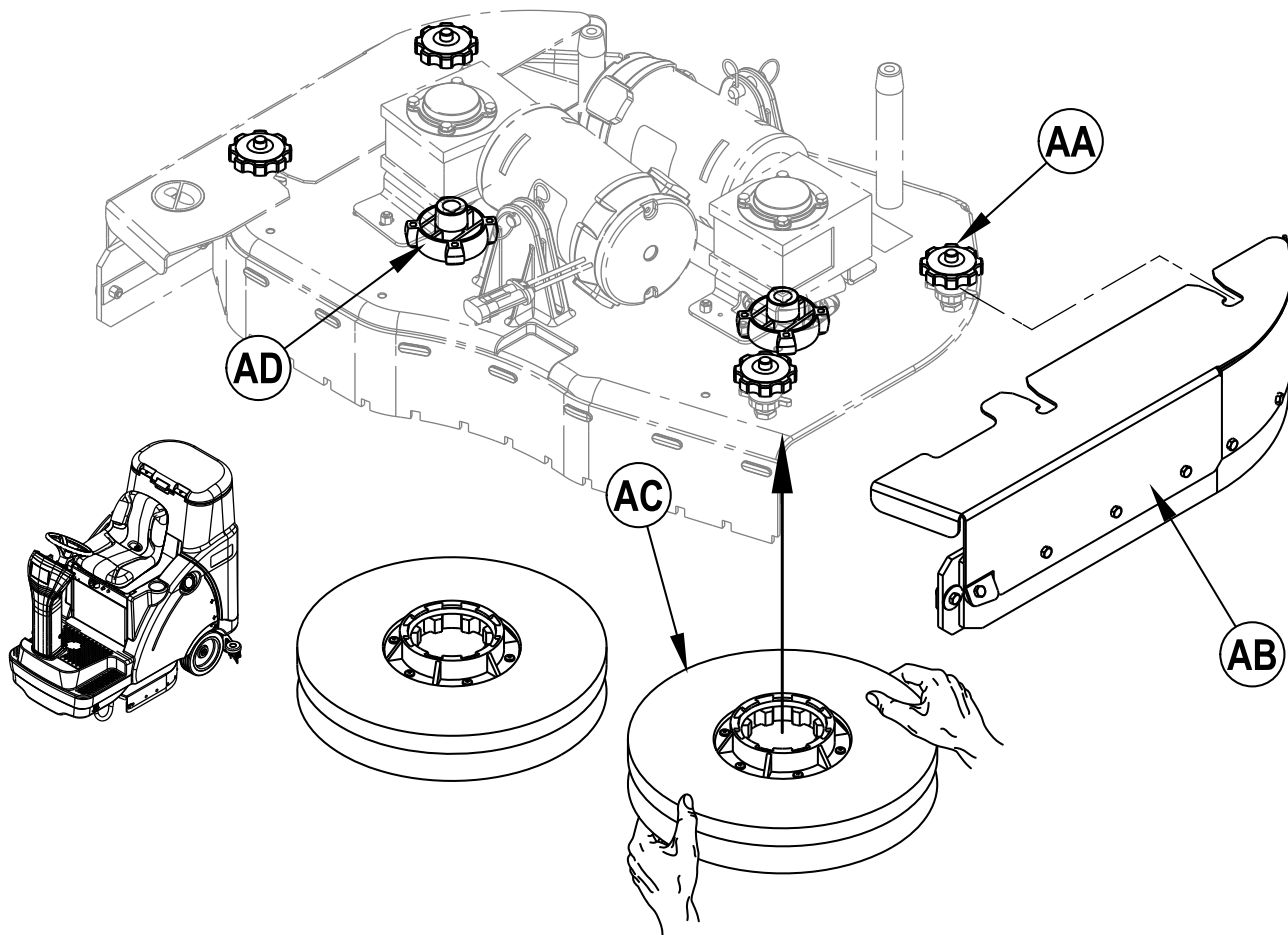
Turn the key switch off (O) and remove the key, before changing the brushes, and before opening any access panels.

- 1 Make sure the Scrub Deck is in the RAISED position. Make sure the Key Switch (A) is off (O).
- 2 **See Figure 2.** Remove both side skirt assemblies. **NOTE:** The skirts are held in place by two large Knobs (AA). Loosen these knobs and slide the Skirt Assemblies (AB) slightly forward and then off of the Scrub Deck.
- 3 Put a brush or pad driver (AC) under the scrub deck.
- 4 Align the slots in the brush gimbal with the lugs on the motor Gimbal (AD).
- 5 Pull the brush up until the gimbal locks.
- 6 Repeat steps 3, 4 & 5 to install the second brush or pad driver.

#### To Remove:

- 1 Make sure the Scrub Deck (8) is in the RAISED position. Make sure the Key Switch (A) is off (O).
- 2 Remove the side skirt assemblies.
- 3 Push down on two sides of the brush or pad driver until the gimbals release.

### FIGURE 2



## INSTALL THE PAD (BOOST SYSTEM)



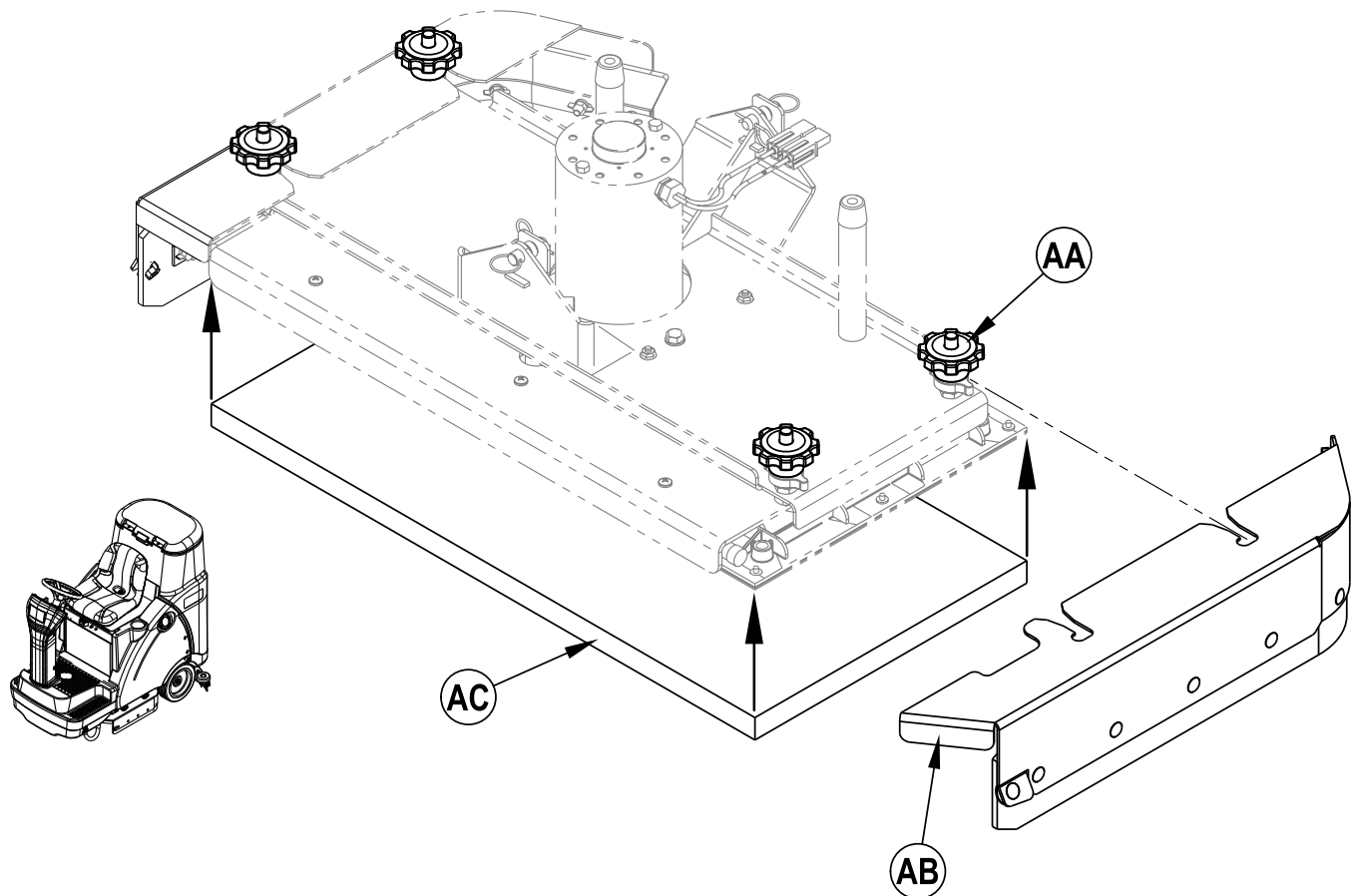
### CAUTION !

Turn the key switch off (O) and remove the key, before changing the brushes, and before opening any access panels.

- 1 Make sure the Scrub Deck is in the RAISED position. Make sure the Key Switch (A) is off (O).
- 2 **See Figure 3.** Remove one of the side skirt assemblies. **NOTE:** The skirts are held in place by two large Knobs (AA). Loosen these knobs and slide the Skirt Assembly (AB) slightly forward and then off of the Scrub Deck.
- 3 Press on a Pad (AC) under the flex plates as shown.

**NOTE:** Due to the design of some pads, the pad may not adhere well to the fixed pad driver when it is pressed on by hand. If this is the case, after positioning the pad on the head, lower the deck and operate momentarily to thoroughly affix the pad to the pad driver. This is only required if planning to transport the machine after installing the pad before use to prevent the pad from falling off.

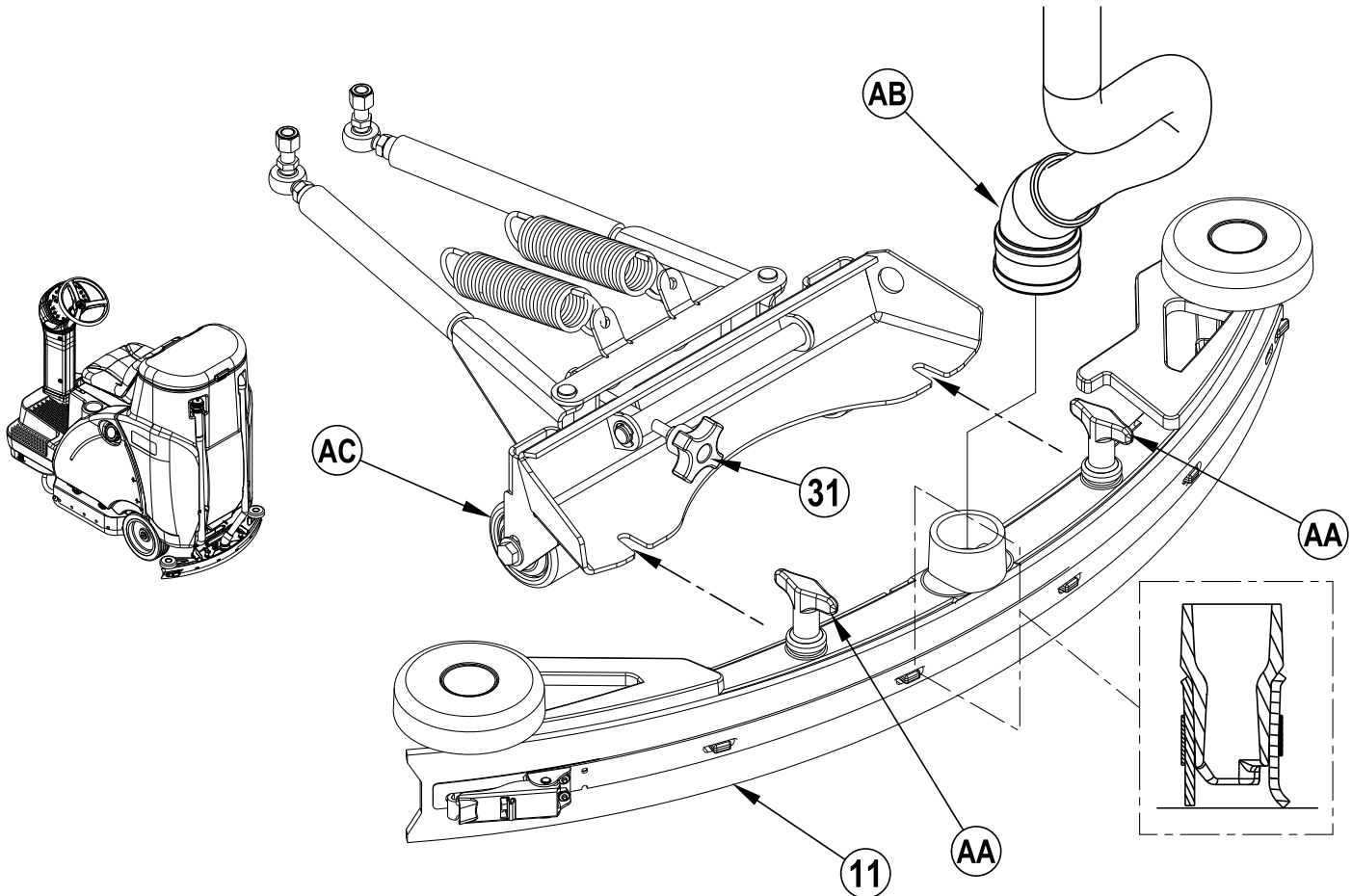
**FIGURE 3**



## INSTALL THE SQUEEGEE

- 1 See Figure 4. Slide the Squeegee Assembly (11) onto the squeegee mount bracket and tighten the Squeegee Mount Thumb Nuts (AA).
- 2 Connect the Recovery Hose (AB) to the squeegee inlet.
- 3 Lower the squeegee, move the machine ahead slightly and adjust the squeegee tilt and height using the Squeegee Tilt Adjust Knob (31) and Squeegee Height Wheel (AC) so that the rear squeegee blade touches the floor evenly across its entire width and is bent over slightly as shown in the squeegee cross section.

FIGURE 4



## FILL THE SOLUTION TANK

Read the cleaning chemical label and calculate the proper amount of chemical to mix for a tank that holds 31 US gallons (120 liters).

Open the Solution Tank Fill Cover (35), then fill the tank 1/3 full of water, add the cleaning chemical, then fill up the tank the remainder of the way. **NOTE:** Detergent machines can either be used conventionally with detergent mixed in the tank or the detergent system can be used. When using the detergent dispensing system do not mix detergent in the tank. Plain water should be used.



## CAUTION!

Use only low-foaming, non-flammable liquid detergents intended for automatic scrubber machine applications. Water temperature should not exceed 130 degrees Fahrenheit (55 degrees Celsius).

## DETERGENT SYSTEM PREPARATION AND USE

### COMMON INSTRUCTIONS:

See Figure 5. Pressing and releasing the Detergent Switch (S) while the solution system is active will cause the detergent system to cycle through the available detergent ratios one at a time. The system should be purged of previous detergent when switching to a different detergent. **SERVICE NOTE:** Move machine over floor drain before purging because a small amount of detergent will be dispensed in the process.

### To Purge When Changing Chemicals:

- 1 Disconnect and remove the Detergent Container (13).
- 2 Turn the Key Switch (A) ON. Press and hold the Solution Control Switch (O) and the Detergent Control Switch (S) for 3 seconds. **NOTE:** Once activated the purge process takes about 10 seconds. Normally one purge cycle is adequate to purge the system.

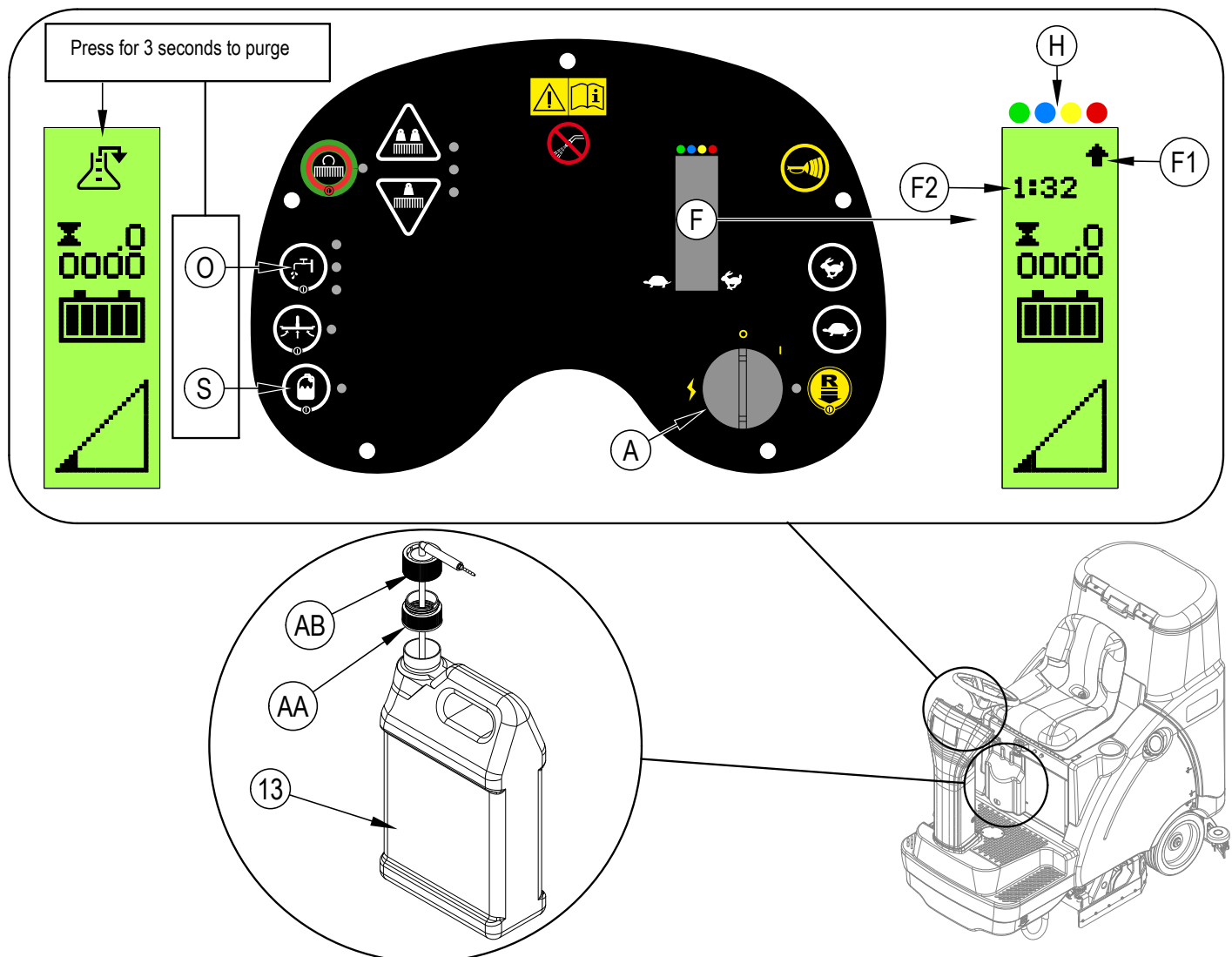
### Detergent Ratio:

- 1 The factory default detergent ratio is 1:32. Each press of the Detergent Control Switch (S) will cycle through the available ratios (1:32, 1:50, 1:64, 1:100, 1:128, 1:150, 1:200, 1:256, 1:300, 1:400). Pressing the switch once more after 1:400 will turn off the detergent system. The Detergent Strength Indicator (F1) starts under the RED Strength Symbol (H) when at a ratio of 1:32 and will move left as you cycle through the ratios and end up under the GREEN Strength Symbol (H) when at a ratio of 1:400. If the machine is turned OFF and then back ON again, the last setting is remembered.

### DETERGENT INSTRUCTIONS:

A Detergent Container (13) can be installed behind the Detergent Container Access Cover (12) in the operator's compartment. When installing a new container, remove the factory cap and place the container in the detergent box. Install the Adapter (AA) and the Cap (AB) as shown.

## FIGURE 5



## OPERATING THE MACHINE



### WARNING!

Be sure you understand the operator controls and their functions.

While on ramps or inclines, avoid sudden stops. Avoid abrupt sharp turns. Use low speed down ramps. Clean only while descending (driving down) the ramp.

#### To Scrub...

Follow the instructions in "preparing the machine for use" section of this manual.

- 1 **See Figure 6.** Adjust the Operator's Seat (1) if necessary by tipping up the seat and using the Seat Adjustment Knob (16).
- 2 Turn the Key Switch (A) ON (I). This will display the control panel indicator lights. Reference the Battery Indicator (F4) before proceeding.
- 3 To transport the machine to the work area, first push the Forward / Reverse Switch (C) to select "reverse" if backing up and then apply pressure with your foot on the Drive Pedal (3). Reverse Mode is indicated by the Reverse LED (B) glowing Amber and an audible alert from the horn.
- 4 Press and hold the Solution Control Switch (O) to pre-wet the floor, solution will be dispensed while the switch is held. **NOTE:** This will help prevent scarring of the floor surface when starting to scrub with dry brushes. This can only be done prior to pressing the Scrub ON/OFF Switch (M).
- 5 Press the Scrub ON/OFF Switch (M), the scrub deck and squeegee will automatically be lowered to the floor. The scrub, vacuum, solution and detergent systems all start when the Drive Pedal (3) is activated. **NOTE:** If the detergent is OFF when the machine is turned OFF it will remain OFF when the machine is turned ON again.  
 The scrub pressure will default to LOW (bottom Brush Pressure LED (J) lit). Use the Brush Pressure Increase Switch (K) and Brush Pressure Decrease Switch (I) to change between LOW, MEDIUM and HIGH Scrub modes.  
**NOTE:** The solution flow rate can be changed independently of the scrub pressure by pressing the Solution Control Switch (O).  
**NOTE:** The scrub, solution, vacuum and detergent systems are automatically enabled when the Scrub ON/OFF Switch (M) is pressed. The vacuum system can be turned OFF or back ON by simply pressing its switch (Q) at any time during scrubbing. The Solution System can only be turned OFF by cycling through all solution flow rates until no LEDs (N) are lit. The Scrub System can only be turned OFF by pressing the Scrub ON/OFF Switch (M). The Detergent System can only be turned OFF by cycling through all detergent ratios to the last ratio 1:400 and then pressing the Detergent Control Switch (S) one more time.  
**NOTE:** When operating the machine in reverse the squeegee automatically raises.
- 6 Begin scrubbing by driving the machine forward in a straight line at a normal walking speed and overlap each path by 2-3 inches (50-75 mm). Adjust the machine speed, scrub pressure and solution flow when necessary according to the condition of the floor. **NOTE:** The maximum speed can be varied by pushing the Speed Increase Switch (E) or the Speed Decrease Switch (D) which will be indicated by the Speed Indicator (F6).



### CAUTION!

To avoid damaging the floor, only start and stop the scrubbing function while the machine is in motion.

- 7 When scrubbing, check behind the machine occasionally to see that all of the waste water is being picked up. If there is water trailing the machine, you may be dispensing too much solution, the recovery tank may be full, or the squeegee tool may require adjustment.
- 8 For extremely dirty floors, a one-pass scrubbing operation may not be satisfactory and a "double-scrub" operation may be required. This operation is the same as a one-pass scrubbing except on the first pass the squeegee is in the up position (press the Vacuum ON/OFF Switch (Q) to raise the squeegee). This allows the cleaning solution to remain on the floor to work longer. The final pass is made over the same area, with the squeegee lowered to pick up the accumulated solution.
- 9 The recovery tank has a shut-off float (25) that causes a change in pitch in the vac motor. When this float is activated, the recovery tank must be emptied. The machine will not pick up water with the float activated.
- 10 When the operator wants to stop scrubbing:  
 Press the Scrub ON/OFF Switch (M) once. This will automatically stop the scrub brushes and solution flow and the scrub deck will raise up. The squeegee will raise up after a brief delay and the vacuum will stop after a brief delay (this is to allow any remaining water to be picked up without turning the vacuum back on).
- 11 Drive the machine to a designated waste water "DISPOSAL SITE" and empty the recovery tank. To empty, pull the Recovery Tank Drain Hose (28) from its rear storage area, then unscrew the cap (hold the end of the hose above the water level in the tank to avoid sudden, uncontrolled flow of waste water). Inspect and empty the Strainer Basket (26) in the recovery tank. Refill the solution tank and continue scrubbing.

**NOTE:** Make sure the Recovery Tank Cover (24) and the Recovery Tank Drain Hose (28) cap are properly seated or the machine will not pick-up water correctly.

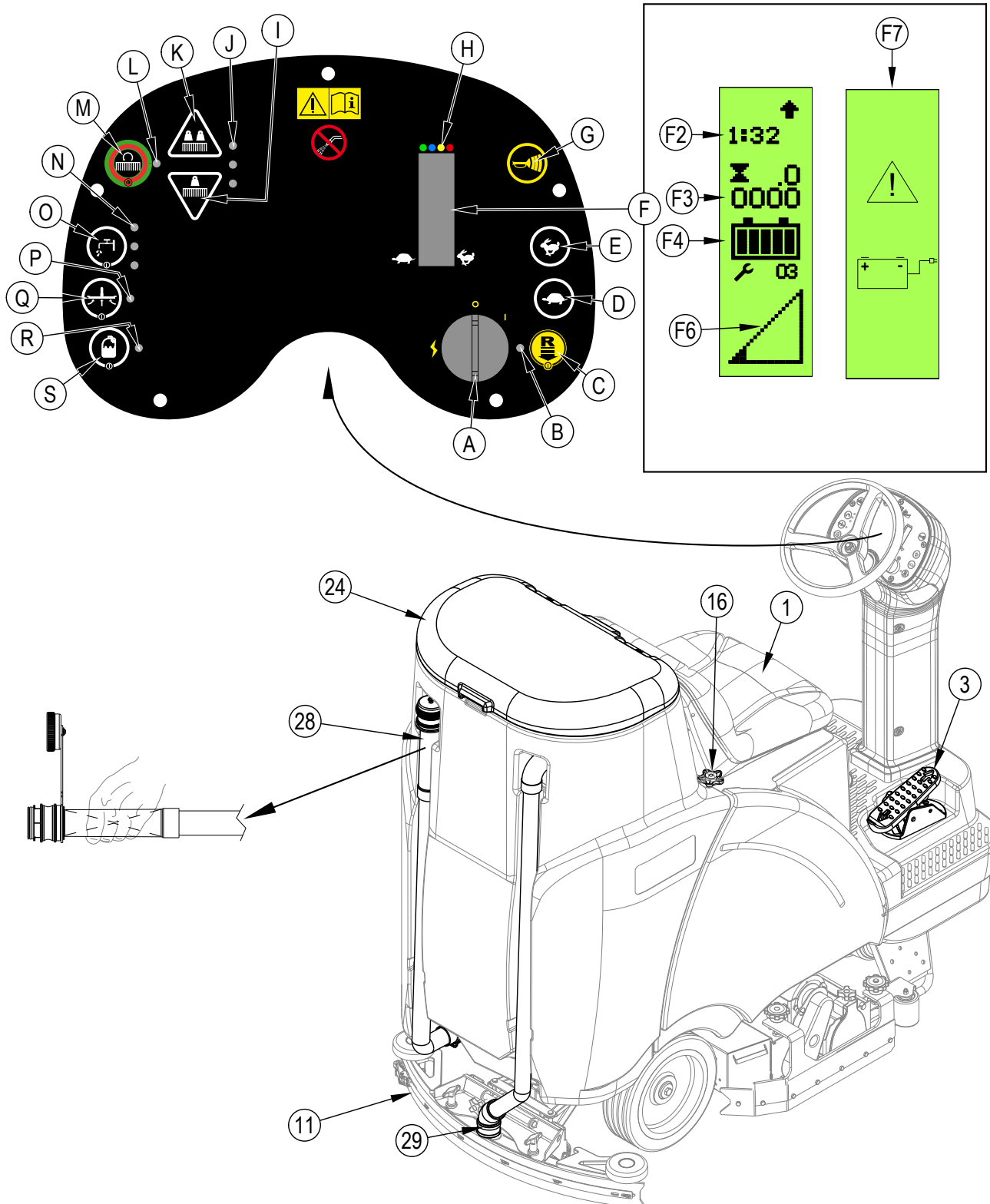
When the batteries require recharging the Battery Low Indicator (F7) will come on. Then the scrub brushes and solution flow will stop and the scrub deck will raise up. The squeegee will raise up after a brief delay and the vacuum will stop after a brief delay. Transport the machine to a service area and recharge the batteries according to the instructions in the Battery section of this manual.

### OFF AISLE WAND USE

Steps to follow in fitting the machine with optional attachments for off aisle wand use.

- 1 **See Figure 6.** Disconnect the Recovery Hose (29) from the Squeegee (11). Connect the hose from the wand kit to the recovery hose.
- 2 Attach suitable wet pick-up tools to the hose. (An optional Wand Kit PN56601087 is available from Clarke).
- 3 Turn the Key Switch (A) ON and press the Vacuum ON/OFF Switch (Q). **NOTE:** The operator cannot be in the seat for the vacuum motor(s) to run. The vacuum motor(s) will run continuously until the switch is pressed again. The float will stop the flow into the recovery tank when activated.

**FIGURE 6**



## AFTER USE

- 1 When finished scrubbing, press the Scrub ON/OFF Switch (**M**), this will automatically raise, retract and stop all the machine systems (brush, squeegee, vacuum, solution and detergent). Then drive the machine to a service area for daily maintenance and review of other needed service upkeep.
- 2 To empty the solution tank:  
Remove the Solution Tank Drain Hose (**2**) from its storage clamp. Direct the hose to a designated "DISPOSAL SITE" and remove the cap. Rinse the tank with clean water.
- 3 To empty the recovery tank, pull the Recovery Tank Drain Hose (**28**) from its storage area. Direct the hose to a designated "DISPOSAL SITE" and unscrew the cap (hold the end of the hose above the water level in the tank to avoid sudden, uncontrolled flow of waste water). Inspect and empty the Strainer Basket (**26**) in the recovery tank. Rinse the tank with clean water.
- 4 Remove the brushes or pad holders. Rinse the brushes or pads in warm water and hang up to dry.
- 5 Remove the squeegee and rinse it with warm water. Open the Recovery tank cover and hang the squeegee from the recovery tank using the Squeegee Storage Hook (**27**).
- 6 Check the maintenance schedule below and perform any required maintenance before storage.
- 7 Store the machine indoors in a clean dry place. Keep from freezing. Leave the tanks open to air them out.
- 8 Turn the Key Switch (**A**) OFF (O) and remove the key.

## MAINTENANCE SCHEDULE

MAINTENANCE ITEM	Daily	Weekly	Monthly	Yearly
Charge Batteries	X			
Check/Clean Tanks & Hoses	X			
Check/Clean/Rotate the Brushes/Pads	X			
Check/Clean the Squeegee	X			
Check/Clean Vacuum Shut-Off Float	X			
Empty/Clean Strainer Basket in Recovery Tank	X			
Check Each Battery Cell(s) Water Level		X		
Inspect Scrub Housing Skirts		X		
Inspect and clean Solution Filter		X		
Purge Detergent System		X		
Lubrication of Machine			X	
* Check Carbon Brushes				X

\* Have an Authorized Clarke Service Center check the vacuum motor carbon motor brushes once a year or after 300 operating hours. The brush and drive motor carbon brushes should be checked every 500 hours or once a year.

- Isolators are expected to last 250-1,000 hours depending on the application.
- Replace lower isolators annually or after every 250 hours, whichever comes first.

## LUBRICATING THE MACHINE - FIGURE 7

Grease fitting locations (or apply grease to) (**AA**):

- Steering Chain
- Squeegee mount angle adjustment knob threads
- Side Skirt Height Adjustment Knobs

Once a month, apply light machine oil to lubricate the (**BB**):

- General Pivot Points For the Squeegee and Scrub Deck Linkage

## ELECTROMAGNETIC BRAKE

See Figure 8. The Drive Wheel (**4**) has a built in electromagnetic brake that is engaged whenever the Key Switch (**A**) is OFF or the Drive Pedal (**3**) is in the neutral position. This brake can be manually overridden if necessary by inserting a medium to large screwdriver behind the Yoke (**AA**) as shown. This should only be done in the event you need to push or pull the unit.

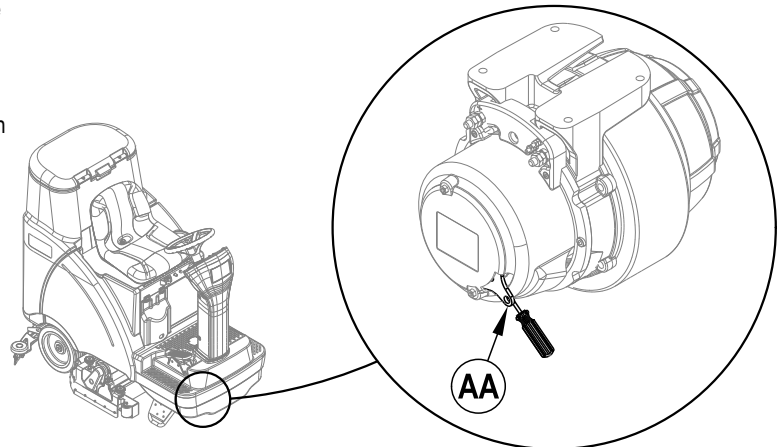
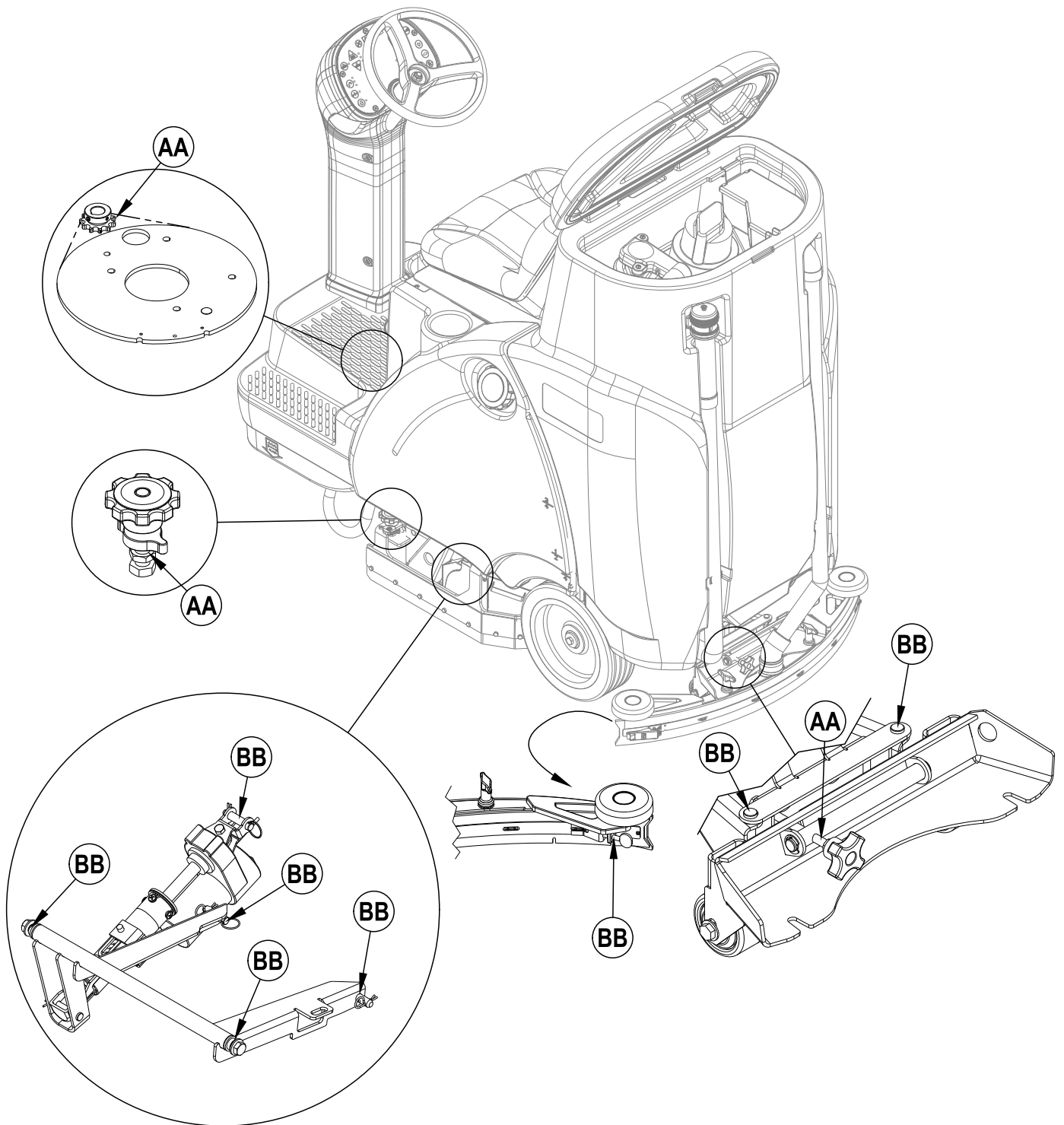


FIGURE 8

FIGURE 7



## CHARGING WET BATTERIES

Charge the batteries each time the machine is used or when the Battery Indicator (F4) is reading less than full.

### WARNING!

Do not top off the batteries before charging. Check to ensure the plates are covered only.

Charge batteries in a well-ventilated area. If battery acid makes contact with your skin, flush the affected area with water for 5 minutes and seek medical attention.

Do not smoke while servicing the batteries.

#### When Servicing Batteries...

- \* Remove all jewelry
- \* Do not smoke
- \* Wear safety glasses, rubber gloves and a rubber apron
- \* Work in a well-ventilated area
- \* Do not allow tools to touch more than one battery terminal at a time
- \* ALWAYS disconnect the negative (ground) cable first when replacing batteries to prevent sparks.
- \* ALWAYS connect the negative cable last when installing batteries.

#### If your machine shipped **with** an onboard battery charger do the following:

Turn the Key Switch (A) OFF. Open the Battery Compartment (10) for proper ventilation. Unwind the electrical cord from the side of the onboard charger and plug it into a properly grounded outlet. Refer to the OEM product manual for more detailed operating instructions.

#### If your machine shipped **without** an onboard battery charger do the following:

Open the Battery Compartment (10) and set the Seat Prop-Rod (34). Disconnect the batteries from the machine and push the connector from the charger into the Machine Battery Connector (36). Follow the instructions on the battery charger. **SERVICE NOTE:** Make sure you plug the battery charger into the connector that attaches to the batteries.

### CAUTION!

To avoid damage to floor surfaces, wipe water and acid from the top of the batteries after charging. Under or overcharging will shorten battery life and limit performance. Be sure to FOLLOW PROPER CHARGING INSTRUCTIONS!

## CHECKING THE BATTERY WATER LEVEL

Check the water level of the batteries at least once a week.

Remove the vent caps and check the water level in each battery cell. Use distilled or demineralized water in a battery filling dispenser (available at most auto parts stores) to fill each cell to the level indicator (or to .39 inches / 10 mm over the top of the separators). DO NOT over-fill the batteries!

### CAUTION!

Acid can spill onto the floor if the batteries are overfilled.

Tighten the vent caps. Wash the tops of the batteries with a solution of baking soda and water (2 tablespoons of baking soda to 1.26 gallons / 1 liter of water).

## CHARGING GEL/AGM (VRLA) BATTERIES

Charge the batteries each time the machine is used or when the Battery Indicator (F4) is reading less than full.

### WARNING!

Charge batteries in a well-ventilated area. If battery acid makes contact with your skin, flush the affected area with water for 5 minutes and seek medical attention.

Do not smoke while servicing the batteries.

#### When Servicing Batteries...

- \* Remove all jewelry
- \* Do not smoke
- \* Wear safety glasses, rubber gloves and a rubber apron
- \* Work in a well-ventilated area
- \* Do not allow tools to touch more than one battery terminal at a time
- \* ALWAYS disconnect the negative (ground) cable first when replacing batteries to prevent sparks.
- \* ALWAYS connect the negative cable last when installing batteries.

### CAUTION!

Your voltage regulated lead acid (VRLA) battery will deliver superior performance and life ONLY IF IT IS RECHARGED PROPERLY! Under or overcharging will shorten battery life and limit performance. Be sure to FOLLOW PROPER CHARGING INSTRUCTIONS! DO NOT ATTEMPT TO OPEN THIS BATTERY! If a VRLA battery is opened, it loses its pressure and the plates become oxygen contaminated. THE WARRANTY WILL BE VOIDED IF THE BATTERY IS OPENED.

#### If your machine shipped **with** an onboard battery charger do the following:

Turn the Key Switch (A) OFF. Open the Battery Compartment (10) for proper ventilation. Unwind the electrical cord from the side of the onboard charger and plug it into a properly grounded outlet. Refer to the OEM product manual for more detailed operating instructions.

#### If your machine shipped **without** an onboard battery charger do the following:

Open the Battery Compartment (10) and set the Seat Prop-Rod (34). Disconnect the batteries from the machine and push the connector from the charger into the Machine Battery Connector (36). Follow the instructions on the battery charger. **SERVICE NOTE:** Make sure you plug the battery charger into the connector that attaches to the batteries.

**IMPORTANT:** Make sure you have an appropriate charger for use on Gel cell batteries. Use only "voltage-regulated" or "voltage-limited" chargers.

**Standard constant current or taper current chargers MUST NOT be used. A temperature-sensing charger is recommended, as manual adjustments are never accurate and will damage any VRLA battery.**

## SQUEEGEE MAINTENANCE

If the squeegee leaves narrow streaks or water, the blades may be dirty or damaged. Remove the squeegee, rinse it under warm water and inspect the blades. Reverse or replace the blades if they are cut, torn, wavy or worn.

### To Reverse or Replace the Rear Squeegee Wiping Blade...

- 1 See Figure 9. Raise the squeegee assembly off the floor, then unsnap the Rear Squeegee Blade Removal Latch (32).
- 2 Remove the Tension Strap (AA).
- 3 Slip the rear blade off the alignment pins.
- 4 The squeegee blade has 4 working edges. Turn the blade so a clean, undamaged edge points toward the front of the machine. Replace the blade if all 4 edges are nicked, torn or worn to a large radius.
- 5 Install the blade, following the steps in reverse order and adjust the squeegee tilt (31).

### To Reverse or Replace the Front Squeegee Blade...

- 1 Raise the squeegee assembly off the floor, then loosen the (2) Thumb Nuts (AB) on top of the squeegee and remove the squeegee assembly from the mount.
- 2 Loosen the Front Squeegee Blade Removal Thumb Nut (33), then remove Tension Strap (AC) and blade.
- 3 The squeegee blade has 4 working edges. Turn the blade so a clean, undamaged edge points toward the front of the machine. Replace the blade if all 4 edges are nicked, torn or worn to a large radius.
- 4 Install the blade, following the steps in reverse order and adjust the squeegee tilt.

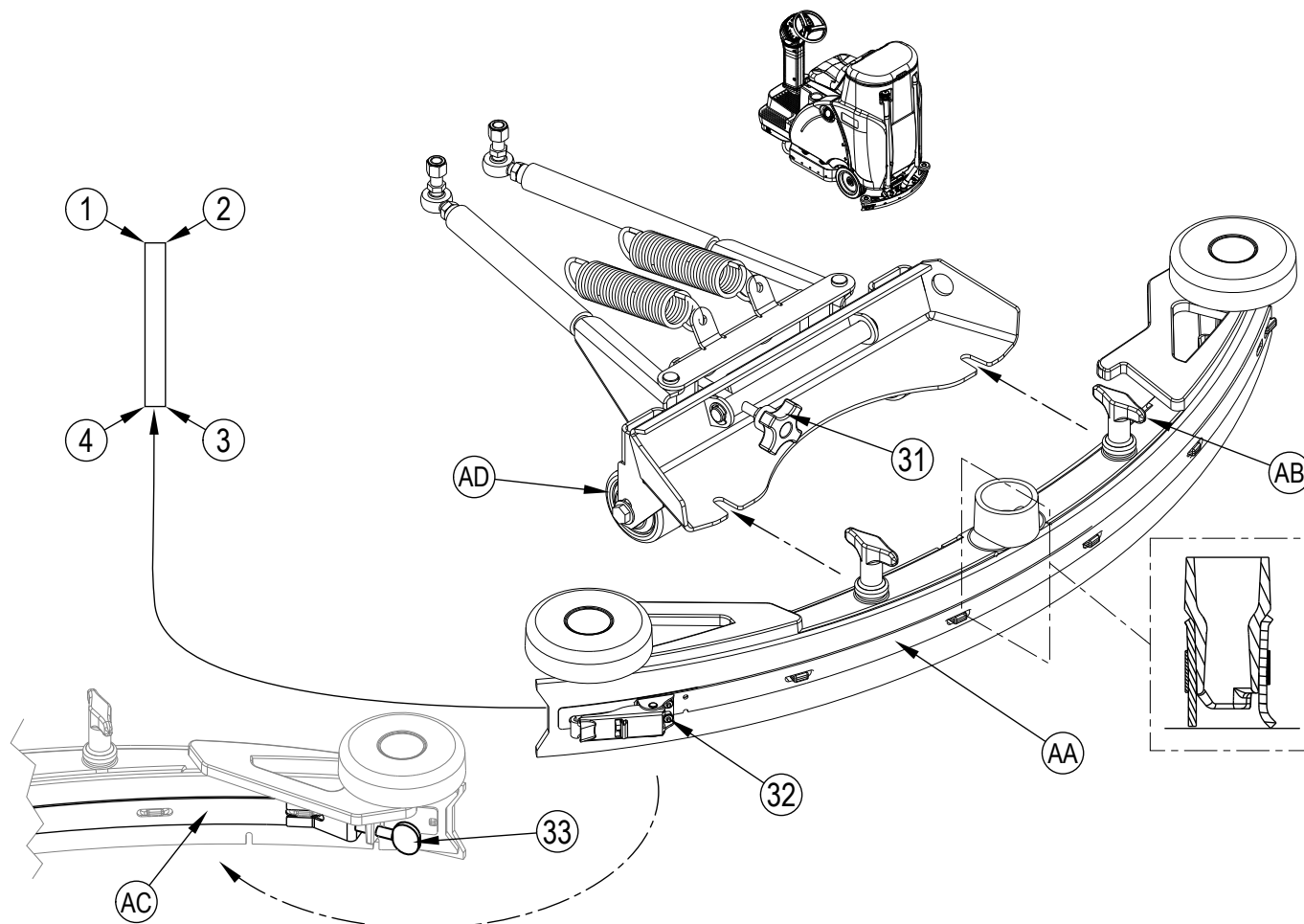
## SQUEEGEE ADJUSTMENT

There are two squeegee assembly adjustments possible, tilt and height.

Adjust the squeegee tilt whenever a blade is reversed or replaced, or if the squeegee is not wiping the floor dry.

- 1 Park the machine on a flat, even surface and lower the squeegee. Then drive the machine forward enough to have the squeegee blades fold over to the rear.
- 2 Adjust the squeegee tilt and height using the Squeegee Tilt Adjustment Knob (31) and Squeegee Height Wheel (AD) so that the rear squeegee blade touches the floor evenly across its entire width and is bent over slightly as shown in the squeegee cross section.

FIGURE 9



## SIDE SKIRT MAINTENANCE

The side skirts' function is to channel the waste water to the squeegee, helping contain the water within the machine's cleaning path. During normal use the blades will wear in time. The operator will notice a small amount of water leaking out underneath the side skirts. A height adjustment can easily be made to lower the blades so that all the water can be picked up by the squeegee.

**To reverse or replace the scrub system side skirt(s).**

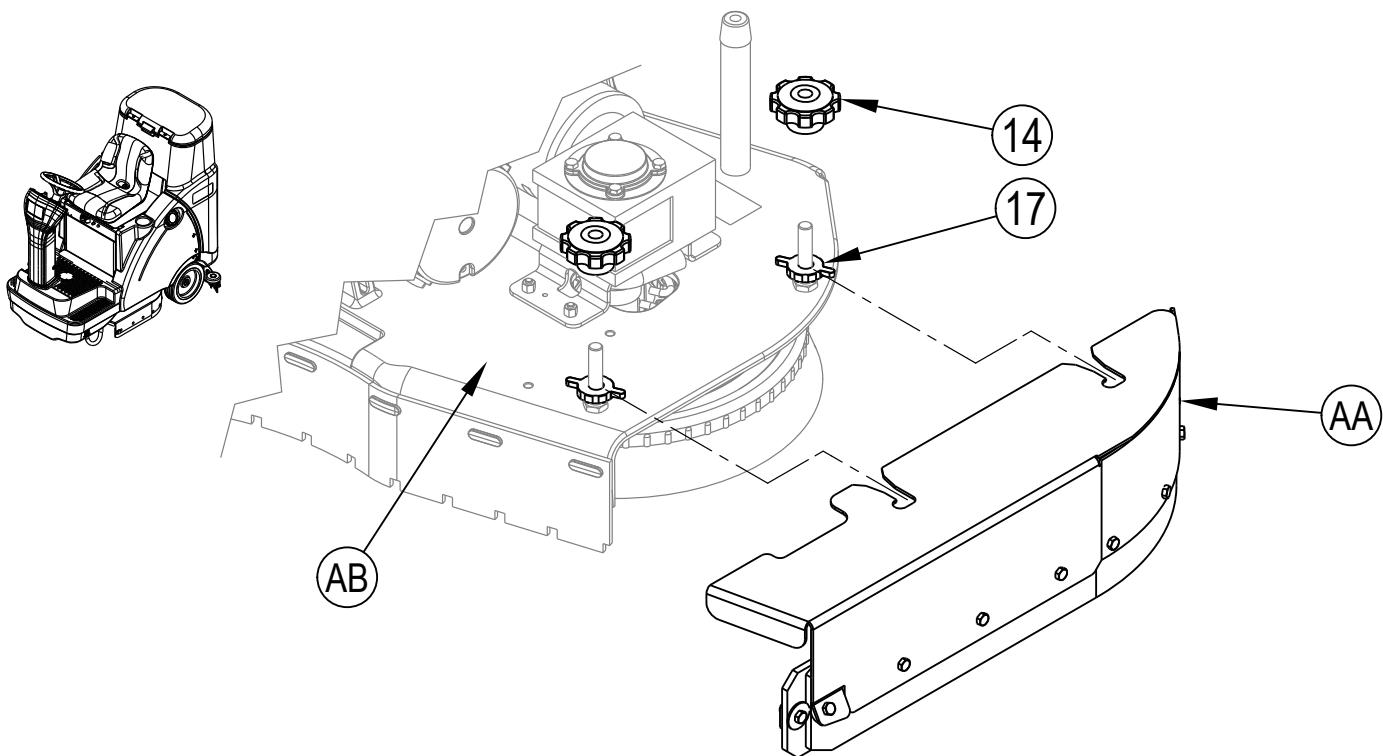
- 1 **See Figure 10.** Loosen the (2) side Deck Skirt Removal Knobs (14) (2 per side) and pull the Skirt Assemblies (AA) slightly forward (disc and BOOST only) and then off from the scrub deck.
- 2 Remove all the hardware that holds the blades to the skirt housings.
- 3 The side skirts have 2 working edges. Turn the skirts so a clean, undamaged edge faces inward. Replace the skirts as a set if they are nicked, torn or worn beyond their ability to be adjusted.
- 4 Reinstall the skirt housing assemblies onto the machine and adjust the skirt for proper contact to the floor when the brush deck is placed in the scrub position.

## SIDE SKIRT HEIGHT ADJUSTMENT

- 1 **See Figure 10.** The side skirt housing knob retainer screw studs have Deck Skirt Height Adjustment Knobs (17), that are to be raised or lowered to compensate for skirt wear.
- 2 To adjust, remove the Skirt Assemblies (AA) from the Scrub Deck (AB) to access the Deck Skirt Height Adjustment Knobs (17). Adjustment Tip: The Deck Skirt Removal Knobs (14) can be loosened with skirts left on and the Deck Skirt Height Adjustment Knobs (17) rotated by reaching under the skirt housing.
- 3 Turn the Deck Skirt Height Adjustment Knobs (17) (Up or Down) to where the skirts just fold over enough when scrubbing that all the waste water is contained inside the skirting. **NOTE:** Make small adjustments to obtain good skirt wiping. Do not lower the skirts too much to where they fold over excessively and cause unneeded blade wear.

**FIGURE 10**

Disc shown. Same procedure for BOOST.



## GENERAL MACHINE TROUBLESHOOTING

Problem	Possible Cause	Remedy
Poor water pick-up	Worn or torn squeegee blades	Reverse or replace
	Squeegee (11) out of adjustment	Adjust so blades touch floor evenly across entire width
	Recovery tank full	Empty recovery tank
	Recovery Tank Drain Hose (28) leak	Secure drain hose cap or replace
	Recovery Tank Cover (24) gasket leak	Replace gasket / Seat cover properly
	Debris caught in Squeegee (11)	Clean squeegee assembly
	Recovery Hose (29) clogged	Remove debris
	Using too much solution	Adjust solution flow at control panel
Poor scrubbing performance	Worn brush or pad	Rotate or replace brushes
	Wrong brush or pad type	Consult Clarke
	Wrong cleaning chemical	Consult Clarke
	Moving machine too fast	Slow down
	Not using enough solution	Increase solution flow at control panel
Inadequate or no solution flow	Solution tank empty	Fill solution tank
	Solution lines, valves or filter (20) clogged	Flush lines and clean solution filter
	Solution Shutoff Valve (21) closed	Open solution shutoff valve
	Solution Solenoid Valve (19)	Clean or replace valve
Machine does not power ON	Machine Battery Connector (36) disconnected	Reconnect battery connectors
	Operator seat safety switch	Check for open circuit and replace
	Main system controller	Check error fault codes <b>(contact Clarke Authorized Service Center)</b>
	Tripped 10 Amp circuit breaker (6)	Check for electrical short circuit & reset
No FWD/REV wheel drive	Emergency Stop Switch (7) tripped	Reset the Emergency Stop Switch
	Drive system speed controller	Check error fault codes <b>(contact Clarke Authorized Service Center)</b>
	Tripped 70 Amp circuit breaker (5)	Check for drive motor overload
No Detergent Flow	Empty Detergent Container (13)	Fill detergent container
	Plugged or kinked detergent flow line	Purge system, straighten lines to remove any kinks
	Detergent pump	Check pump and lines (may need priming)

**TECHNICAL SPECIFICATIONS (as installed and tested on the unit)**

Model		Focus II 28 D	Focus II 28 B	Focus II 34 D
		Focus II 28 D OBC	Focus II 28 B OBC	Focus II 34 D OBC
Model No.		56114000	56114003	56114002
		56114010	56114009	56114001
Voltage, Batteries	V	24V	24V	24V
Battery Capacity	Ah	238	238	238
Protection Grade		IPX3	IPX3	IPX3
Sound Pressure Level IEC 60335-2-72: 2002 Amend. 1:2005, ISO 11201	dB(A)	68.3dB LpA, 3dB KpA	68.6dB LpA, 3dB KpA	68.3dB LpA, 3dB KpA
Gross Weight	lbs / kg	1,328/602	1,371/622	1,328/602
Empty Weight	lbs / kg	547/248	590/267	547/248
Maximum Wheel Floor Loading (center front)	psi / N/mm <sup>2</sup>	152 / 1.05	152 / 1.05	152 / 1.05
Maximum Wheel Floor Loading (right rear)	psi / N/mm <sup>2</sup>	193 / 1.33	193 / 1.33	193 / 1.33
Maximum Wheel Floor Loading (left rear)	psi / N/mm <sup>2</sup>	154 / 1.06	154 / 1.06	154 / 1.06
Vibrations at the Hand Controls (ISO 5349-1)	m/s <sup>2</sup>	.181	.386	.181
Vibrations at the Seat (EN 1032)	m/s <sup>2</sup>	0.014	0.132	0.014
Gradeability Transport		12.5% (7.1°)	12.5% (7.1°)	12.5% (7.1°)
Gradeability Cleaning		7.9% (4.5°)	7.9% (4.5°)	7.9% (4.5°)

OBC = Onboard Charger (IE: Focus II 28 D OBC)

**Material Composition and Recyclability**

<b>Type</b>	<b>% of machine weight</b>	<b>% recyclable</b>
Aluminum	5%	100%
Electrical / motors / engines - misc	19%	28%
Ferrous metals	35%	100%
Harnesses / cables	4%	81%
Liquids	0%	0%
Plastic - non-recyclable	9%	0%
Plastic - recyclable	2%	100%
Polyethylene	26%	92%
Rubber	1%	29%



## ÍNDICE

	Página
Introducción.....	B-2
Precauciones y advertencias.....	B-3
Conozca su máquina.....	B-4 – B-5
Panel de control.....	B-6
<b>Preparación de la máquina para su uso</b>	
Instalación de las baterías.....	B-7
Instalación de los cepillos.....	B-8 - B-9
Instalación de la rasqueta.....	B-10
Llenado del depósito de solución.....	B-10
Sistema de detergente.....	B-11
<b>Manejo de la máquina</b>	
Fregado.....	B-12 - B-13
Aspiración en húmedo.....	B-12 - B-13
Después de la utilización.....	B-14
Programa de mantenimiento.....	B-14
Lubricación de la máquina.....	B-14 - B-15
Recarga de las baterías (líquido).....	B-16
Comprobación del nivel de agua de las baterías.....	B-16
Recarga de las baterías (gel).....	B-16
Mantenimiento de la rasqueta.....	B-17
Ajuste de la rasqueta.....	B-17
Mantenimiento del faldón lateral.....	B-18
Resolución de problemas.....	B-19
Especificaciones técnicas.....	B-20

## INTRODUCCIÓN

Este manual le ayudará a obtener el máximo rendimiento de su limpiadora sobre ruedas Clarke. Léalo con atención antes de utilizar la máquina.

**Nota: Los números que aparecen en negrita entre paréntesis indican elementos ilustrados en las páginas B-4 – B-6.**

Esta máquina sólo es adecuada para el uso comercial, por ejemplo en hoteles, colegios, hospitales, fábricas, tiendas, oficinas y negocios de alquiler. La Focus II Rider es una máquina de limpieza de pisos a batería.

## COMPONENTES Y SERVICIO

Las reparaciones, cuando sean necesarias, deben ser realizadas por su Centro Autorizado de Servicio Clarke que utiliza personal de servicio formado en fábrica y lleva un inventario de piezas de repuesto y accesorios Clarke originales.

Llame al DISTRIBUIDOR CLARKE que se indica a continuación para lo referente a piezas de repuesto y servicio. Por favor, especifique el modelo y el número de serie cuando hable de su máquina.

## MODIFICACIONES

Las modificaciones y los agregados a la máquina de limpieza que afecten su capacidad y su funcionamiento seguro no serán realizados por el cliente o el usuario sin la autorización previa y por escrito de Nilfisk-Advance Inc. Las modificaciones que no cuenten con la aprobación correspondiente anularán la garantía de la máquina y harán que el cliente sea responsable de cualquier accidente resultante.

## PLACA DE IDENTIFICACIÓN

El Número de modelo y Número de serie de la máquina se indican en la placa de identificación instalada en la misma. Esta información es necesaria a la hora de solicitar repuestos para la máquina. Utilice el espacio situado más adelante para anotar el número de modelo y el número de serie de la máquina para futuras consultas.

NÚMERO DE MODELO \_\_\_\_\_

NÚMERO DE SERIE \_\_\_\_\_

## DESEMBALAJE DE LA MÁQUINA

Cuando reciba la máquina, examine con atención la caja del embalaje y la máquina, con el fin de comprobar si existe algún daño. Si observa algún daño, guarde la caja de embalaje (si procede) para que se pueda inspeccionar. Póngase en contacto inmediatamente con el Departamento de Servicio al Cliente de Clarke para presentar una reclamación por daños en transporte. Consulte la hoja de instrucciones de desembalaje incluida con la máquina para sacar la máquina del palet.

## ¡ADVERTENCIA!

Los Productos a la venta con este Manual contienen, o pueden contener, productos químicos reconocidos por algunos gobiernos (como el Estado de California, según lo indica en su Proposición 65, Ley de Advertencia Regulatoria) como causantes de cáncer, defectos de nacimiento u otros daños reproductivos. En algunas jurisdicciones (incluido el Estado de California), los compradores de estos Productos que los coloquen en servicio en un emplazamiento laboral o en un espacio de acceso público tienen la obligación regulatoria de realizar determinados avisos, advertencias o divulgaciones respecto de los productos químicos contenidos o posiblemente contenidos en los Productos utilizados en tal lugar. Es la responsabilidad del comprador conocer y cumplir con todas las leyes y reglamentaciones relacionadas con el uso de estos Productos en tales entornos. El Fabricante niega toda responsabilidad de informar a los compradores sobre requisitos específicos que pueden regir el uso de los Productos en tales entornos.

## PRECAUCIONES Y ADVERTENCIAS

### SÍMBOLOS

Clarke utiliza símbolos que se indican más abajo para señalar situaciones potencialmente peligrosas. Lea siempre con atención esta información y tome las medidas necesarias para la protección de las personas y la propiedad.

Esta máquina es para uso comercial, por ejemplo en hoteles, colegios, hospitales, fábricas, tiendas y oficinas, y no para usos relacionados con el mantenimiento doméstico.

#### ¡PELIGRO!

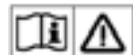
Se utiliza para advertir de riesgos inmediatos que producirán lesiones personales graves o incluso fatales.

#### ¡ADVERTENCIA!

Se utiliza para llamar la atención sobre una situación que podría producir lesiones personales graves.

#### ¡PRECAUCIÓN!

Se utiliza para llamar la atención sobre una situación que podría provocar lesiones personales leves o daños en la máquina u otros objetos.



Lea todas las instrucciones antes de utilizar la máquina.

## INSTRUCCIONES GENERALES DE SEGURIDAD

Se incluyen precauciones y advertencias específicas que advierten de los peligros potenciales de daños a la máquina o lesiones personales.

#### ¡ADVERTENCIA!

- \* Esta máquina únicamente deben utilizarla personas autorizadas y con la debida formación.
- \* Esta máquina no debe ser utilizada por personas (incluidos niños) con capacidades físicas, sensoriales o mentales reducidas, o con falta de experiencia y conocimientos.
- \* Al circular sobre rampas o pendientes, evite las paradas bruscas. Evite las curvas muy cerradas. Circule lentamente al bajar rampas.
- \* Mantenga las chispas, llamas y materiales de fumadores alejados de las baterías. Durante el funcionamiento normal se desprenden gases explosivos.
- \* Al recargar las baterías se produce gas hidrógeno altamente explosivo. Recargue las baterías exclusivamente en zonas bien ventiladas, lejos de llamas sin proteger. No fume mientras recarga las baterías.
- \* Qítense todas las joyas cuando trabaje cerca de componentes eléctricos.
- \* Apague el interruptor de contacto (O) y desconecte las baterías antes de realizar mantenimiento o reparaciones en los componentes eléctricos.
- \* Nunca trabaje debajo de una máquina sin colocar antes bloques o soportes de seguridad que sostengan la máquina.
- \* No aplique sustancias limpiadoras inflamables ni utilice la máquina sobre estas sustancias o cerca de ellas, ni tampoco en zonas en las que haya líquidos inflamables.
- \* No limpie esta máquina con una limpiadora a presión.
- \* Use solamente los cepillos suministrados junto con el aparato o aquellos especificados en el manual de instrucciones. El uso de otros cepillos puede afectar negativamente a la seguridad.

#### ¡PRECAUCIÓN!

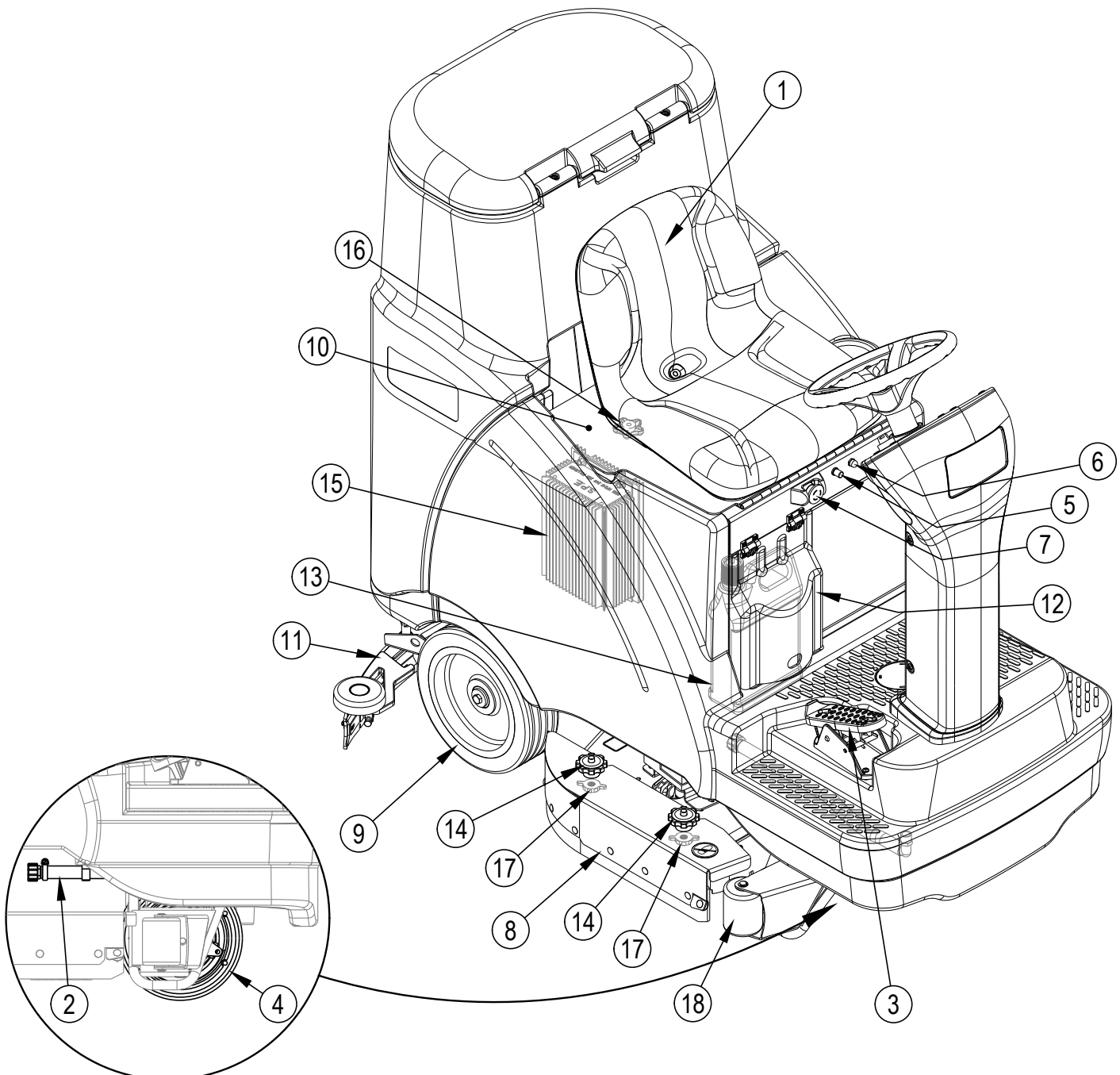
- \* Esta máquina no ha sido aprobada para su uso en vías públicas.
- \* Esta máquina no es apta para la recogida de "polvos peligrosos".
- \* No utilizar discos de escarificación ni piedras abrasivas. No se podrá responsabilizar a Clarke de daño alguno a las superficies de los suelos causado por escarificadores o piedras abrasivas (también puede causar daños al sistema de tracción del cepillo).
- \* Cuando utilice la máquina, asegúrese de que no existe peligro para terceras personas, especialmente niños.
- \* Antes de realizar cualquier función de mantenimiento o reparación, lea con atención todas las instrucciones relativas a la misma.
- \* No abandone la máquina sin antes apagar el interruptor de contacto (O), retirar la llave y \*aplicar\* el freno de estacionamiento.
- \* Apague el interruptor de contacto (O) y quite la llave antes de cambiar los cepillos y antes de abrir cualquiera de los paneles de acceso.
- \* Tome las debidas precauciones para evitar que el pelo, las joyas o las prendas sueltas queden atrapados entre elementos en movimiento.
- \* Sea cauto al mover esta máquina con temperaturas bajo cero. El agua de la solución, los depósitos de recuperación o detergente y de las tuberías puede congelarse, causando daños a las válvulas y accesorios. Limpie con limpiaparabrisas.
- \* Retire las baterías de la máquina antes de su desguace. Las baterías deben desecharse de forma segura, de acuerdo con la reglamentación medioambiental local.
- \* No utilice la máquina en superficies con pendientes superiores a las indicadas en la máquina.
- \* Antes de utilizar la máquina, todas las puertas y cubiertas deberían estar colocadas como se indica en el manual de instrucciones.
- \* Esta máquina sólo debe utilizarse y almacenarse bajo techo.

## GUARDE ESTAS INSTRUCCIONES

## CONOZCA SU MÁQUINA

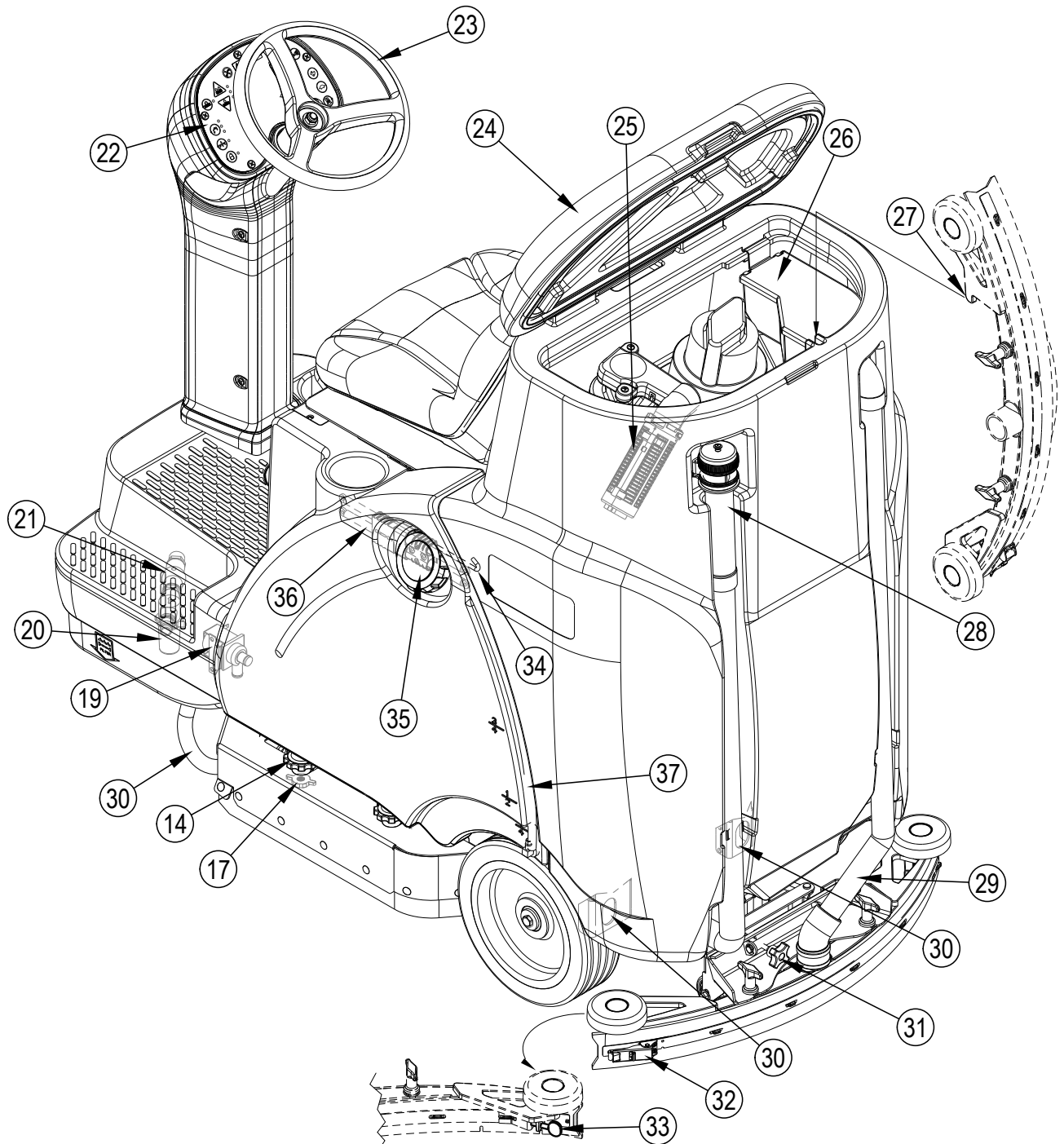
A lo largo de este manual encontrará números o letras en negrita entre paréntesis – por ejemplo: **(2)**. Estos números se refieren a una pieza o componente que se muestra en estas páginas, a menos que se indique lo contrario. Consulte estas páginas siempre que lo necesite para localizar alguna pieza o componente citado en el texto. **NOTA:** Consulte el manual de servicio para obtener explicaciones más detalladas de cada objeto ilustrado en las siguientes 4 páginas.

- |    |   |    |   |
|----|---|----|---|
| 1  | Asiento del operador                      | 11 | Conjunto de rasqueta  |
| 2  | Tubo de vaciado del depósito de solución  | 12 | Cubierta de acceso al depósito de detergente (sólo para modelos con detergente) |
| 3  | Pedal motriz                              | 13 | Depósito de detergente (sólo para los modelos con detergente / no incluido)     |
| 4  | Rueda motriz                              | 14 | Mandos de retirada de la plataforma de limpieza                                 |
| 5  | Disyuntor de la rueda de tracción (70 A)  | 15 | Cargador de batería (opcional / bajo el asiento)                                |
| 6  | Disyuntor del circuito de control (10 A)  | 16 | Manija de ajuste del asiento  |
| 7  | Parada de emergencia                      | 17 | Mando de ajuste de altura del faldón de la plataforma                           |
| 8  | Plataforma de limpieza                    | 18 | Parachoques del rodillo frontal   |
| 9  | Rueda trasera                             |    |   |
| 10 | Cubierta de compartimento de las baterías |    |   |



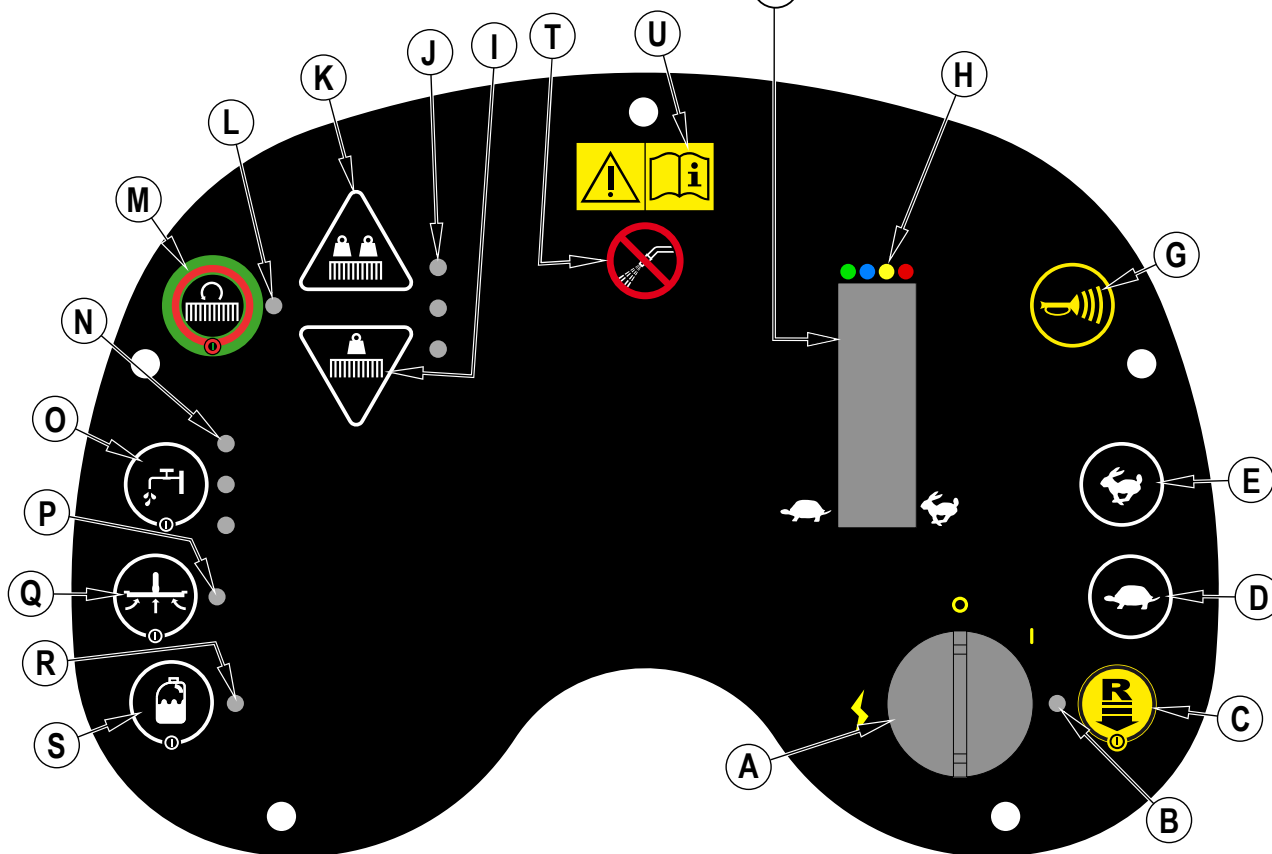
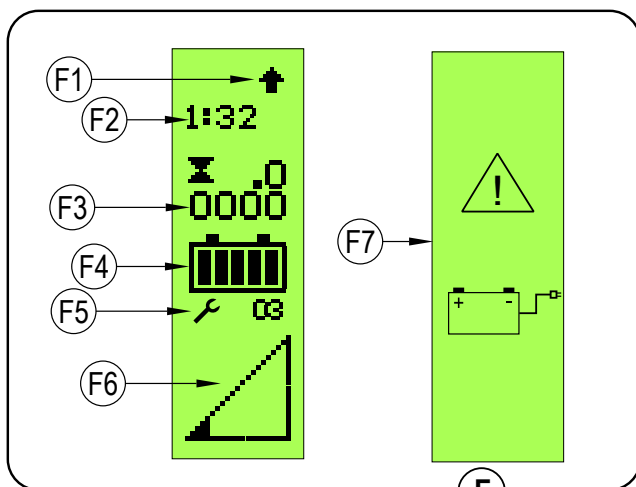
## CONOZCA SU MÁQUINA

- |    |   |    |  |
|----|---|----|--|
| 19 | Válvula de solenoide de la solución             | 29 | Tubo de recuperación   |
| 20 | Filtro de solución                              | 30 | Puntos de sujeción   |
| 21 | Válvula de cierre de la solución                | 31 | Mando de ajuste de inclinación de la rasqueta                      |
| 22 | Panel de control                                | 32 | Pestillo de retirada de la hoja de la rasqueta trasera             |
| 23 | Volante   | 33 | Tuerca de mariposa de retirada de la hoja de la rasqueta delantera |
| 24 | Tapa del depósito de recuperación               | 34 | Varilla de apoyo del asiento                                       |
| 25 | Flotador de cierre del depósito de recuperación | 35 | Tapa de llenado del depósito de solución                           |
| 26 | Cesta de filtro                                 | 36 | Conector de las baterías de la máquina                             |
| 27 | Gancho de almacenamiento de la rasqueta         | 37 | Tubo de indicación visual de nivel del tanque de solución          |
| 28 | Tubo de vaciado del depósito de recuperación    |    |  |



### PANEL DE CONTROL

- |   |   |  |
|---|---|--|
| <p><b>A</b> Interruptor de contacto</p> <p><b>B</b> LED de marcha atrás</p> <p><b>C</b> Interruptor de avance/marcha atrás</p> <p><b>D</b> Interruptor de reducción de velocidad</p> <p><b>E</b> Interruptor de aumento de velocidad</p> <p><b>F</b> Pantalla gráfica</p> <p><b>F1</b> Indicador de intensidad del detergente (ver H)</p> <p><b>F2</b> Indicador de mezcla de detergente</p> <p><b>F3</b> Contador horario</p> <p><b>F4</b> Indicador de batería</p> <p><b>F5</b> Códigos de error</p> <p><b>F6</b> Indicador de velocidad</p> <p><b>F7</b> Indicador de batería baja</p> <p><b>G</b> Interruptor de claxon</p> | <p><b>H</b> Símbolos de intensidad del detergente</p> <p><b>I</b> Interruptor de reducción de presión de los cepillos</p> <p><b>J</b> LEDs de presión de los cepillos</p> <p><b>K</b> Interruptor de aumento de presión de los cepillos</p> <p><b>L</b> LED de encendido/apagado de fregado</p> <p><b>M</b> Interruptor de encendido/apagado de fregado</p> | <p><b>N</b> LEDs de tasa de flujo de la solución</p> <p><b>O</b> Interruptor de control de la solución</p> <p><b>P</b> LED de encendido/apagado de aspiración</p> <p><b>Q</b> Interruptor de encendido/apagado de aspiración</p> <p><b>R</b> LED de encendido/apagado de detergente</p> <p><b>S</b> Interruptor de control del detergente</p> <p><b>T</b> Símbolo de No lavar a presión</p> <p><b>U</b> Símbolo de Lea todas las instrucciones antes de utilizar</p> |
|---|---|--|



## BATERÍAS

Si su máquina se entrega con baterías instaladas, realice lo siguiente:

- Compruebe que las baterías estén conectadas a la máquina (36).
- Encienda el conmutador de llave (A) y compruebe el indicador de batería (F4). Si el indicador está completamente lleno, las baterías están listas para el uso. Si el indicador no está lleno, las baterías deberían cargarse antes de la utilización. Consulte la sección "Recarga de las baterías".
- **¡IMPORTANTE! SI SU MÁQUINA ESTÁ EQUIPADA CON UN CARGADOR DE BATERÍA A BORDO, CONSULTE EL MANUAL DEL PRODUCTO OEM PARA OBTENER INSTRUCCIONES SOBRE EL AJUSTE DEL CARGADOR PARA EL TIPO DE BATERÍA.**

Si su máquina se entrega sin baterías instaladas, realice lo siguiente:

- Consulte con su distribuidor autorizado de Clarke en cuanto a las baterías recomendadas.
- Instale las baterías siguiendo las instrucciones indicadas a continuación.
- **NO instale dos baterías de 12 voltios en su máquina. Esto afectará a la estabilidad de la máquina.**
- **¡IMPORTANTE! SI SU MÁQUINA ESTÁ EQUIPADA CON UN CARGADOR DE BATERÍA A BORDO, CONSULTE EL MANUAL DEL PRODUCTO OEM PARA OBTENER INSTRUCCIONES SOBRE EL AJUSTE DEL CARGADOR PARA EL TIPO DE BATERÍA.**

## INSTALACIÓN DE LAS BATERÍAS



### ¡ADVERTENCIA!

Tome las máximas precauciones cuando trabaje con las baterías. El ácido sulfúrico de las baterías puede causar daños graves si entra en contacto con la piel o con los ojos. Desde el interior de las baterías se libera, a través de unas aperturas en las tapas de las baterías, gas explosivo de hidrógeno. Este gas puede incendiarse con cualquier arco eléctrico, chispa o llama. Si el ácido de batería entra en contacto con su piel, enjuague la zona afectada con agua durante 5 minutos y consulte a un médico.

Cuando maneja las baterías...

- \* Qítense todas las joyas.
- \* No fume.
- \* Lleve gafas de seguridad, delantal de goma y guantes de goma.
- \* Trabaje en una zona bien ventilada.
- \* No permita que las herramientas toquen simultáneamente más de un borne de la batería.
- \* Al sustituir las baterías, desconecte SIEMPRE en primer lugar el cable (de tierra) negativo para evitar chispas.
- \* Al instalar las baterías, conecte SIEMPRE el cable negativo al final.



### ¡PRECAUCIÓN!

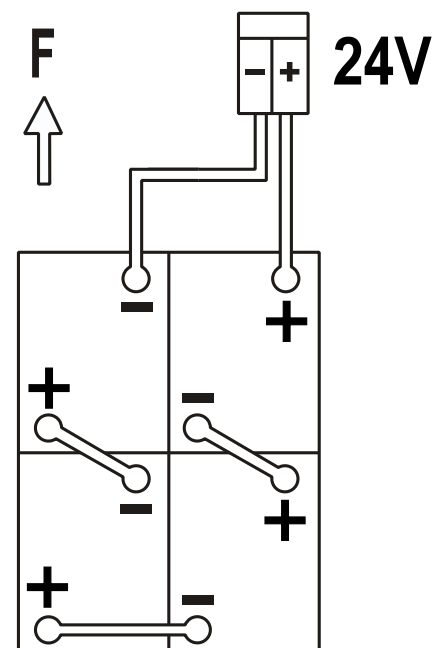
Los componentes eléctricos de esta máquina pueden dañarse seriamente si las baterías no están instaladas o conectadas correctamente. Las baterías deben ser instaladas por Advance o por un electricista cualificado.

- 1 Apague (O) el interruptor de llave (A) y quite la llave. A continuación abra la tapa del compartimento de las baterías (10) y ajuste la varilla de apoyo (34).
- 2 Con (2) personas y una correa de elevación apropiada, levante con cuidado las baterías hasta la bandeja del compartimento, exactamente tal y como se muestra. Consulte la disposición de cables de batería de la pegatina 56601416.
- 3 **Consulte la figura 1.** Instale los cables de las baterías tal y como se muestra y apriete las tuercas de los bornes de las baterías.
- 4 Instale los manguitos de las baterías y apriételes bien a los cables de las baterías con las correas de sujeción provistas.
- 5 Conecte el conector del conjunto de las baterías al conector de la máquina (36) y cierre la tapa del compartimento de las baterías.

Cuando cambie las baterías o el cargador, consulte con su centro local de servicios autorizado los valores correctos para la batería, el cargador y la máquina, a fin de evitar daños a la batería.

FIGURA 1

420 Ah, 20 Hr. Rate





## INSTALACIÓN DE LAS BAYETAS (SISTEMA REV)



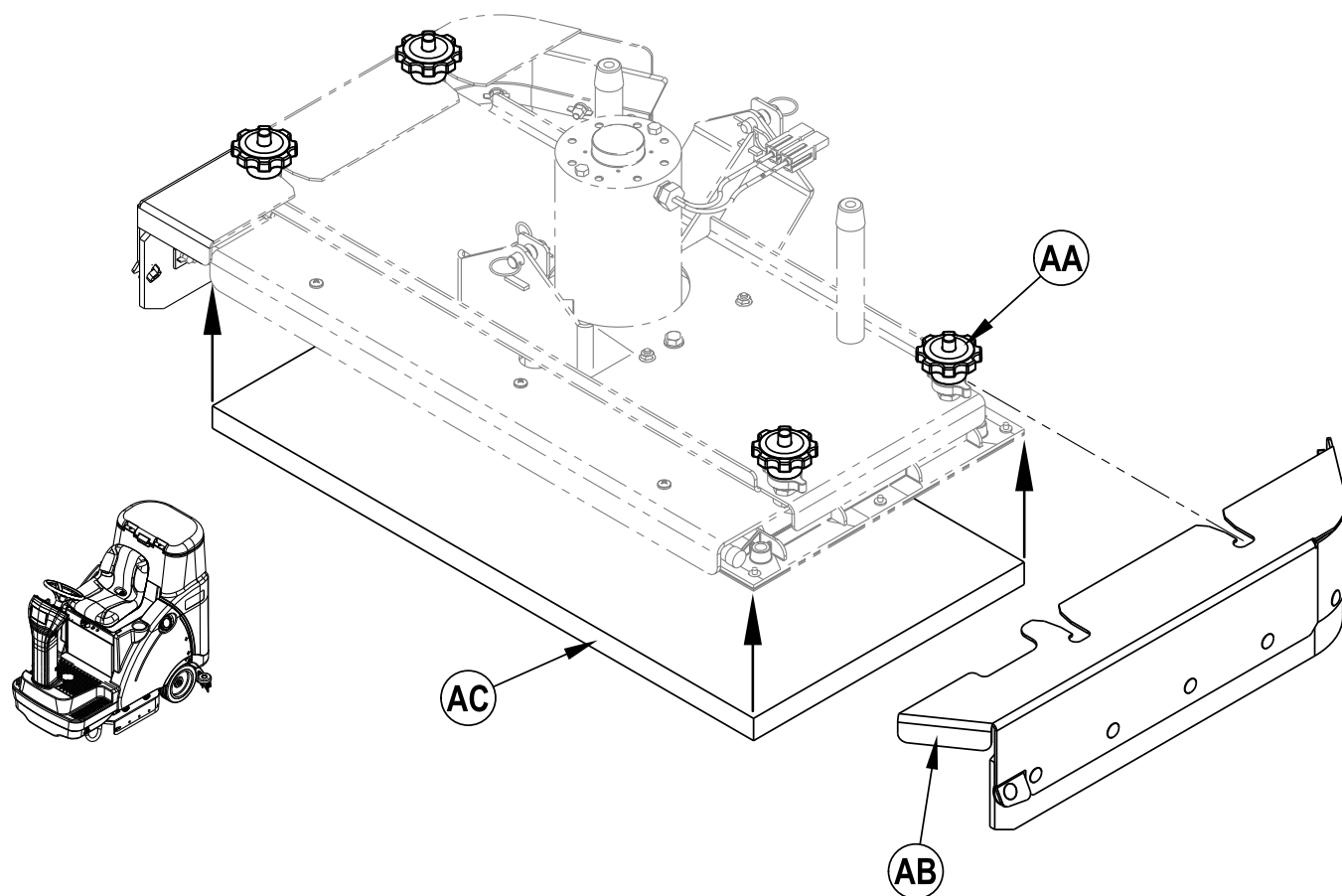
### ¡PRECAUCIÓN!

Apague el interruptor de contacto (O) y quite la llave antes de cambiar los cepillos y antes de abrir cualquiera de los paneles de acceso.

- 1 Asegúrese de que la plataforma de limpieza se encuentre en la posición ELEVADA. Asegúrese de que el interruptor de contacto (A) está apagado (O).
- 2 **Consulte la figura 3.** Retire los conjuntos de faldillas laterales. **NOTA:** Los faldones se mantienen en su sitio gracias a dos mandos grandes (AA). Afloje ambos mandos, deslice los conjuntos de faldones (AB) hacia delante ligeramente y luego hacia afuera, para sacarlos de la plataforma de limpieza.
- 3 Presione una bayeta (AC) bajo las placas flexibles, como se muestra.

**NOTA:** Debido al diseño de algunas bayetas, es posible que la bayeta no se adhiera bien al motor de bayeta fijo cuando se lo presione a mano. En este caso, después de posicionar la bayeta en el cabezal, baje la plataforma y opere la máquina durante un momento para fijar la bayeta al motor. Esto sólo es necesario si planea transportar la máquina luego de instalar la bayeta, para evitar que la bayeta se caiga.

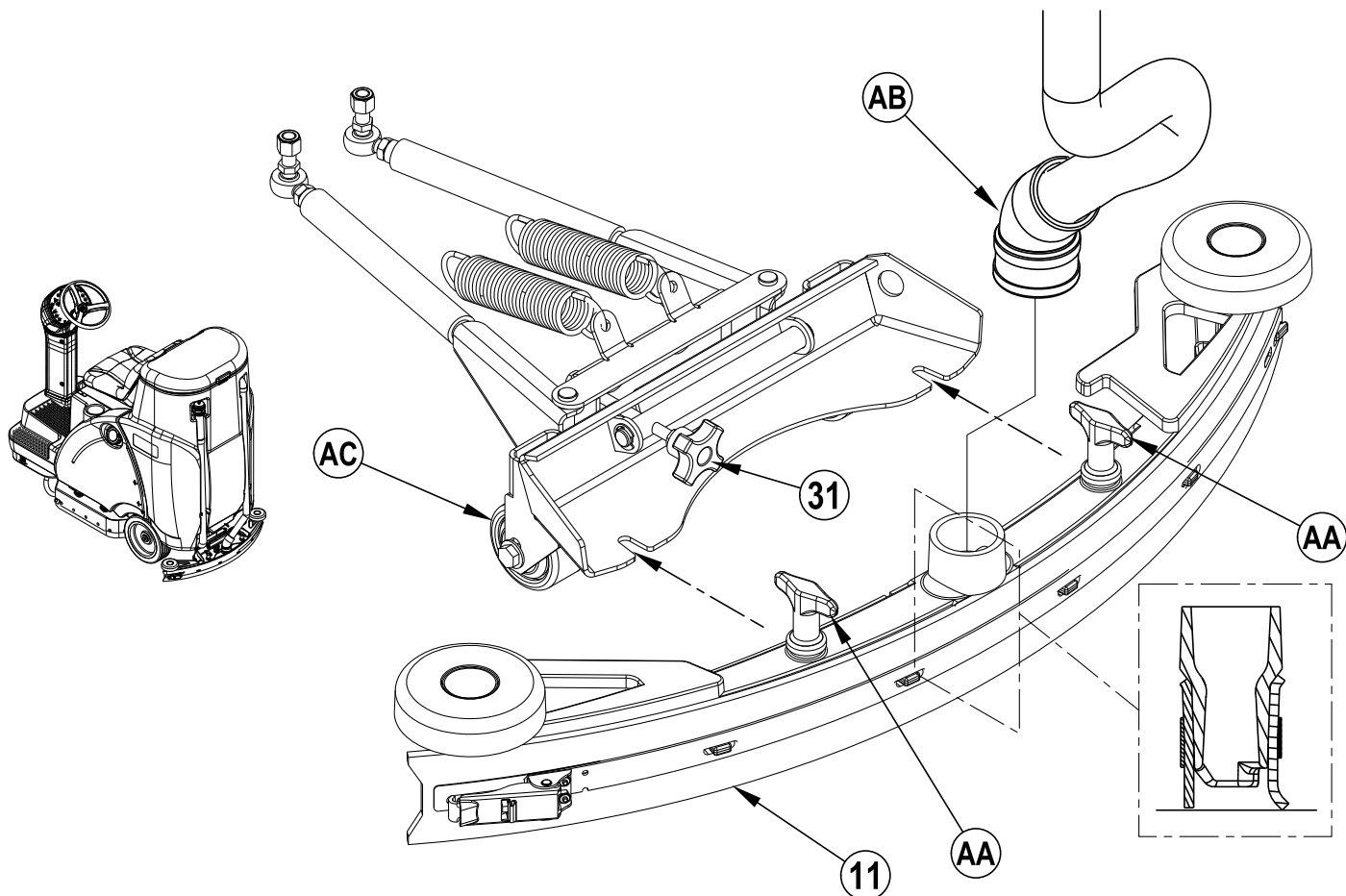
**FIGURA 3**



## INSTALACIÓN DE LA RASQUETA

- 1 Ver la Figura 4. Deslice en conjunto de la rasqueta (11) sobre la abrazadera de montaje de la rasqueta y apriete las tuercas de palomilla de montaje de la rasqueta (AA).
- 2 Conecte el tubo de recuperación (AB) a la entrada de la rasqueta.
- 3 Baje la rasqueta, desplace la máquina hacia delante y ajuste la inclinación y la altura de la rasqueta utilizando el mando de ajuste de inclinación de la rasqueta (31) y la rueda de altura de la rasqueta (AC), de manera que la hoja de la rasqueta trasera toque el suelo homogéneamente en toda su anchura y se doble ligeramente como se muestra en la sección transversal de la rasqueta.

FIGURA 4



## LLENADO DEL DEPÓSITO DE SOLUCIÓN

Lea la etiqueta del producto químico de limpieza y calcule la cantidad adecuada de producto químico que se debe mezclar para un depósito con capacidad de 31 galones de EE.UU. (120 litros).

Abra la tapa de llenado del depósito de solución (35) y llene 1/3 del depósito de agua. Añada el producto químico de limpieza y llene el depósito todo lo que reste. **NOTA:** Las máquinas que utilizan detergente pueden utilizarse normalmente con detergente mezclado en el depósito o con el sistema de aplicación de detergente. Cuando utilice el sistema de dosificación de detergente, no mezcle detergente en el depósito. Debe utilizar agua limpia.



## ¡PRECAUCIÓN!

Utilice únicamente detergentes líquidos no inflamables de bajo poder espumante que estén diseñados para aplicaciones de fregado automático. La temperatura del agua no deberá superar los 130 grados Fahrenheit (55 grados Celsius).

## PREPARACIÓN Y USO DEL SISTEMA DE DETERGENTE

### INSTRUCCIONES COMUNES:

Consulte la figura 5. Presionar y soltar el interruptor de detergente (S) mientras está activo el sistema de solución hará que el sistema de detergente pase por todas las mezclas disponibles de a una. Elimine del sistema el detergente utilizado anteriormente antes de cambiar a un detergente diferente. **NOTA DE SERVICIO:** Desplace la máquina sobre un punto de drenaje en el suelo antes de eliminar el detergente porque saldrá una pequeña cantidad durante el proceso.

### Purgar al cambiar productos químicos:

- 1 Desconecte y retire el depósito de detergente (13)
- 2 Encienda el interruptor de llave (A). Presione y mantenga presionado el interruptor de control de solución (O) y el interruptor de control de detergente (S) durante 3 segundos. **NOTA:** Una vez activado, el proceso de purga dura unos 10 segundos. Por lo general, un solo ciclo de purga es suficiente para purgar el sistema.

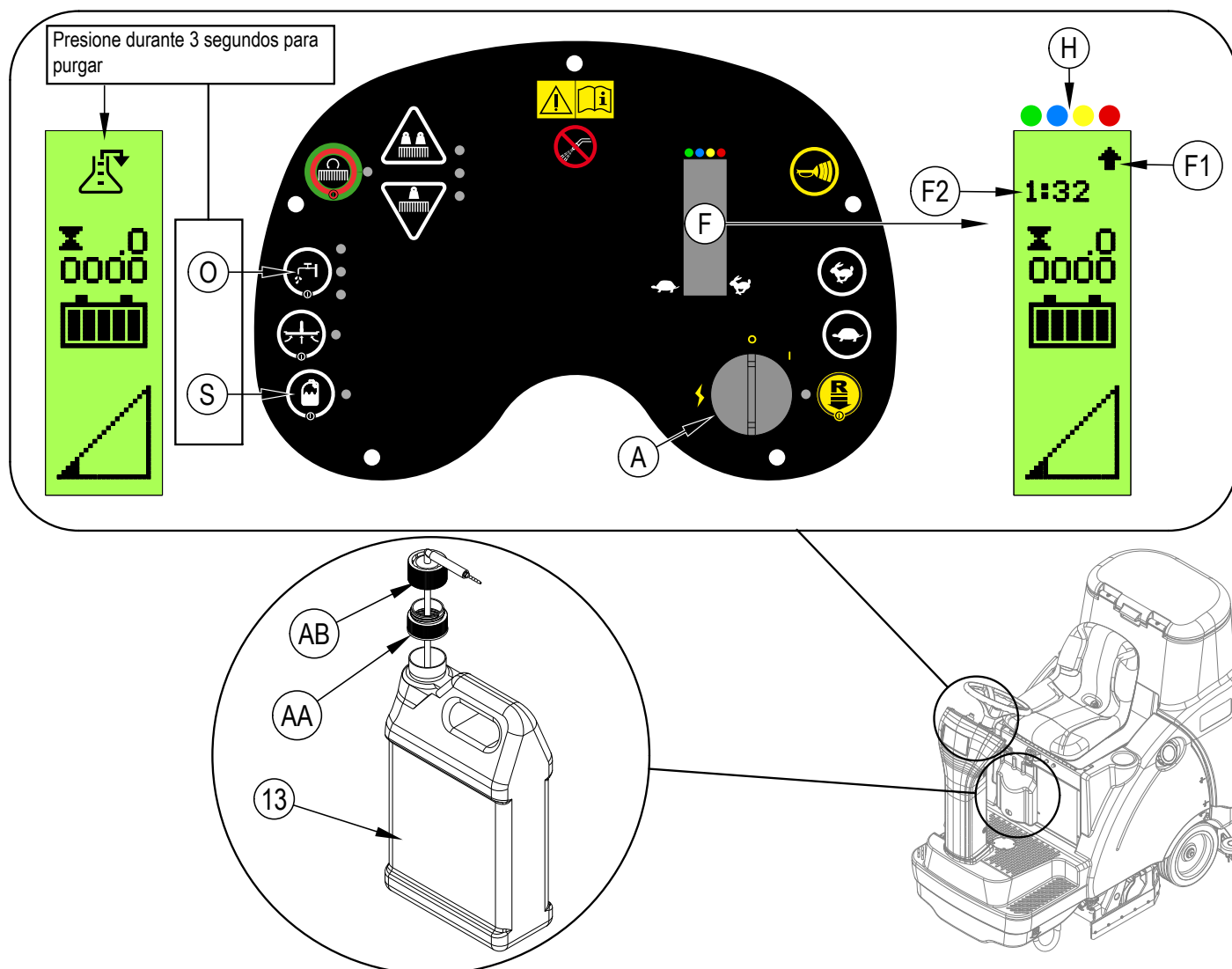
### Mezcla de detergente:

- 1 La mezcla de detergente predeterminada de fábrica es 1:32. Cada vez que presione el interruptor de control de detergente (S) verá pasar las mezclas disponibles (1:32, 1:50, 1:64, 1:100, 1:128, 1:150, 1:200, 1:256, 1:300, 1:400). Si presiona el interruptor una vez más después de 1:400, apagará el sistema de detergente. El indicador de intensidad de detergente (F1) comienza bajo el símbolo de intensidad ROJO (H) cuando está en una mezcla de 1:32 y se mueve hacia la izquierda a medida que se va pasando por las distintas mezclas y se llega al símbolo de intensidad VERDE (H) al llegar a la mezcla de 1:400. Si la máquina se apaga y se enciende, se recordará la última configuración realizada.

### INSTRUCCIONES PARA EL DETERGENTE:

Puede instalarse un depósito de detergente (13) detrás de la cubierta de acceso al depósito de detergente (12) en el compartimento del operador. Al instalar un nuevo depósito, retire la tapa de fábrica y coloque el cartucho en la caja de detergente. Instale el adaptador (AA) y la tapa (AB) como se muestra.

## FIGURA 5



## MANEJO DE LA MÁQUINA

### ¡ADVERTENCIA!

Asegúrese de que comprende los controles del operador y sus funciones.

Al circular sobre rampas o pendientes, evite las paradas bruscas. Evite las curvas muy cerradas. Circule lentamente al bajar rampas. Si está en una rampa, limpie sólo al bajar por ella (descendiendo).

#### Para fregar...

Siga las instrucciones de la sección "Preparación de la máquina para el uso" de este manual.

- 1 **Ver figura 6.** Ajuste el asiento del operador (1) si es necesario inclinando el asiento y utilizando la perilla de ajuste del asiento (16).
- 2 Encienda el interruptor de llave (A) (I). Se encenderán las luces indicadoras del panel de control. Consulte el indicador de estado de las baterías (F4) antes de proceder.
- 3 Para transportar la máquina a la zona de trabajo, primero presione el interruptor de avance / marcha atrás (C) para seleccionar "marcha atrás" si necesita ir marcha atrás, y luego presione con el pie el pedal de tracción (3). El modo de marcha atrás se indica por el LED de marcha atrás (B), de color amarillo, y una alerta audible de la bocina.
- 4 Presione y mantenga presionado el interruptor de control (O) para prehumedecer el suelo; mientras se mantenga presionado el interruptor, se dispensará solución. **NOTA:** Esto ayuda a evitar la escarificación de la superficie del suelo cuando se empieza a fregar con cepillos secos. Esto sólo puede hacerse antes de pulsar el interruptor de encendido/apagado del fregado (M).
- 5 Presione el interruptor de encendido/apagado del fregado (M); la plataforma de fregado y la rasqueta se bajarán automáticamente al suelo. Los sistemas de fregado, aspiración, solución y detergente se ponen en marcha cuando se activa el pedal de tracción (3). **NOTA:** Si el detergente está apagado cuando la máquina se apague, seguirá apagado cuando la máquina se encienda.  
La presión de fregado volverá al nivel BAJO predeterminado (LED inferior de presión de cepillo (J) encendido). Use el interruptor de aumento de la presión de cepillo (K) y el interruptor de reducción de la presión de cepillo (I) para pasar por los modos de fregado BAJO, INTERMEDIO y ALTO.  
**NOTA:** La tasa de flujo de la solución puede cambiarse independientemente de la presión de fregado presionando el interruptor de control de solución (O).  
**NOTA:** Los sistemas de fregado, solución, aspiración y detergente se activan automáticamente cuando se presiona el interruptor de encendido/apagado del fregado (M). El sistema de aspiración puede apagarse o volver a encenderse con sólo pulsar su interruptor (Q) en cualquier momento durante el fregado. El sistema de solución sólo puede apagarse pasando por todas las tasas de flujo hasta que ningún LED (N) esté encendido. El sistema de fregado puede apagarse pulsando el interruptor de encendido/apagado de fregado (M). El sistema de detergente sólo puede apagarse pasando por todas las mezclas de detergente hasta la última, 1:400, y luego presionando el interruptor de control de detergente (S) una vez más.  
**NOTA:** cuando se usa la máquina marcha atrás, la rasqueta se eleva automáticamente.
- 6 Empezee a fregar avanzando en línea recta a una velocidad de paseo normal, y solape cada trayectoria 50-75 mm. Ajuste la velocidad de la máquina, la presión de fregado y el flujo de la solución cuando sea necesario según el estado del suelo. **NOTA:** La velocidad máxima puede modificarse presionando el interruptor de aumento de velocidad (E) o el interruptor de reducción de velocidad (D), lo cual será indicado en el indicador de velocidad (F6).

### ¡PRECAUCIÓN!

Para evitar dañar el piso, sólo arranque y detenga la función de fregado mientras la máquina esté en movimiento.

- 7 Cuando friegue, compruebe de vez en cuando que detrás de la máquina se está recogiendo el agua residual. Si queda agua en la trayectoria de la máquina, puede que esté aplicando demasiada solución, que el depósito de recuperación esté lleno o que la rasqueta necesite un ajuste.
- 8 Para los pisos muy sucios, puede que una operación de fregado de una sola pasada no sea suficiente y que se necesite un "doble fregado". Esta operación es la misma que el fregado de un solo pase, salvo que en el primer pase la rasqueta está en la posición levantada (pulse el interruptor de encendido/apagado de aspiración (Q) para levantar la rasqueta). Esto permite que la solución de limpieza permanezca en el suelo y actúe más tiempo. La última pasada se hace en la misma zona, con la rasqueta bajada para recoger la solución acumulada.
- 9 El depósito de recuperación tiene flotador de apagado (25) que modifica la altura en el motor de aspiración. Hay que vaciar el depósito de recuperación cuando se activa este flotador. La máquina no recogerá el agua si el flotador está activado.
- 10 Cuando el operador desee dejar de fregar:  
Presione el interruptor de encendido/apagado de fregado (M) una vez. Esto detendrá automáticamente los cepillos de fregado y el flujo de solución, y la plataforma de limpieza se elevará. La rasqueta se levantará y la aspiración se detendrá tras un breve intervalo de tiempo (esto es así para que se pueda recoger el agua que haya podido quedar sin tener que volver a encender la aspiración).
- 11 Conduzca la máquina a un LUGAR establecido para la ELIMINACIÓN de aguas residuales y vacíe el depósito de recuperación. Para vaciar, tire del tubo de vaciado del depósito de recuperación (28) para sacarla de su zona de almacenamiento en la parte trasera, y, a continuación, retire el tapón (sostenga el extremo del tubo por encima del nivel de agua para evitar la salida súbita e incontrolada de agua residual). Inspeccione y vacíe la canasta del filtro (26) del depósito de recuperación. Vuelva a llenar el depósito de solución y siga fregando.

**NOTA:** Asegúrese de que la tapa del depósito de recuperación (24) y el tapón del tubo de vaciado del depósito de recuperación (28) estén bien asentados o la máquina no recogerá el agua correctamente.

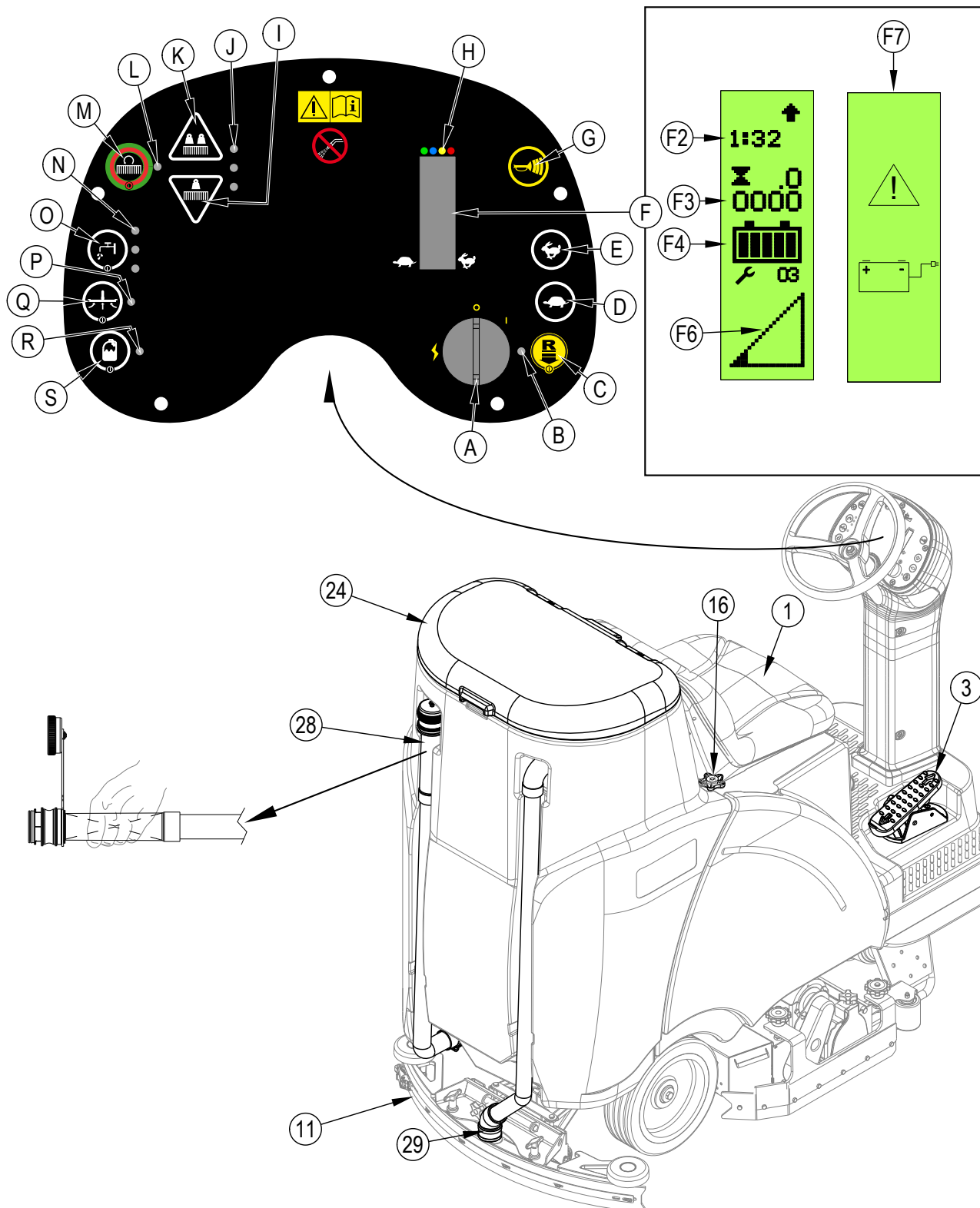
Cuando sea necesario recargar las baterías, se encenderá el indicador de batería baja (F7). Luego se detendrán los cepillos de fregado y el flujo de solución, y la plataforma de limpieza se elevará. La rasqueta se elevará tras un breve intervalo de tiempo y la aspiración se detendrá tras un breve intervalo de tiempo. Lleve la máquina a una zona de mantenimiento y recargue las baterías de acuerdo con las instrucciones de la sección de baterías de este manual.

## USO DE LA VARILLA

Pasos a seguir para conectar a la máquina accesorios opcionales para utilizar la varilla.

- 1 **Ver figura 6.** Desconecte el tubo de recuperación (29) de la rasqueta (11). Conecte el tubo del kit de la varilla al tubo de recuperación.
- 2 Acople al tubo las herramientas de recogida adecuadas. (Hay disponible un kit de varilla opcional PN56601087 de Clarke).
- 3 Encienda el interruptor de contacto (A) y pulse el interruptor de encendido/apagado de aspiración (Q). **NOTA:** El operador no puede estar en el asiento para que el/los motor(es) de aspiración funcione(n). El/Los motor(es) de aspiración funcionará(n) continuamente hasta que se vuelva a presionar el interruptor. El flotador detendrá el líquido que fluye al depósito de recuperación cuando esté activado.

**FIGURA 6**



## DESPUÉS DE LA UTILIZACIÓN

- 1 Cuando acabe de fregar, pulse el interruptor de encendido/apagado del fregado (**M**); esto hará que se eleven, se retraigan y se detengan todos los sistemas de la máquina (cepillo, rasqueta, aspiración, solución y detergente). A continuación conduzca la máquina a la zona de mantenimiento para el mantenimiento diario y la revisión de otros servicios necesarios.
- 2 Para vaciar el depósito de la solución:  
Retire el tubo de drenaje de la solución (**2**) de su sujeción de almacenamiento. Dirija el tubo al lugar establecido para la eliminación de residuos y retire el tapón. Enjuague el depósito con agua limpia.
- 3 Para vaciar el depósito de recuperación, retire el tubo de vaciado del depósito de recuperación (**28**) de su zona de almacenamiento. Dirija el tubo al lugar establecido para la eliminación de residuos y desatornille el tapón (sostenga el extremo del tubo por encima del nivel de agua en el depósito para evitar un flujo súbito e incontrolado de agua residual). Inspeccione y vacíe la canasta del filtro (**26**) del depósito de recuperación. Enjuague el depósito con agua limpia.
- 4 Retire los cepillos o los portabayetas. Aclare los cepillos o las bayetas con agua templada y tiéndalos para que sequen.
- 5 Retire la rasqueta y aclárela con agua templada. Abra la cubierta del depósito de recuperación y cuelgue la rasqueta de dicho depósito utilizando el gancho para almacenamiento de la rasqueta (**27**).
- 6 Compruebe el programa de mantenimiento que viene a continuación y realice cualquier operación de mantenimiento necesaria antes de guardar la máquina.
- 7 Almacene la máquina en un lugar interior, limpio y seco. Protéjala frente a la congelación. Deje los depósitos abiertos para airearlos.
- 8 Apague (O) el interruptor de llave (**A**) y quite la llave.

## PROGRAMA DE MANTENIMIENTO

OPERACIÓN DE MANTENIMIENTO	Diario	Semanal	Mensual	Anual
Recarga de baterías	X			
Limpiar e inspeccionar depósitos y tubos	X			
Comprobar, limpiar y girar los cepillos y las bayetas	X			
Comprobar y limpiar la rasqueta	X			
Limpiar e inspeccionar el flotador de cierre de la aspiración	X			
Vacíe/limpie el filtro de la cesta en el depósito de recuperación.	X			
Comprobar el nivel de agua de todas las celdas de las baterías		X		
Inspeccionar las faldillas contenedoras de fregado		X		
Inspeccionar y limpiar el filtro de la solución		X		
Sistema de purga de detergente		X		
Lubricación de la máquina			X	
*Verificar los cepillos de carbono				X

\* Haga que el Centro de Servicio Autorizado de Clarke revise las escobillas de carbono del motor de aspiración una vez al año o transcurridas 300 horas de funcionamiento. Se debe revisar las escobillas de carbono de los motores de tracción y fregado cada 500 horas o una vez al año.

- Se espera que los aislantes duren por 250-1.000 horas dependiendo de la aplicación.
- Reemplace los aislantes inferiores anualmente o después de cada 250 horas, lo que suceda primero.

## LUBRICACIÓN DE LA MÁQUINA – FIGURA 7

**Engrasar los accesorios (o aplicar grasa a) (AA):**

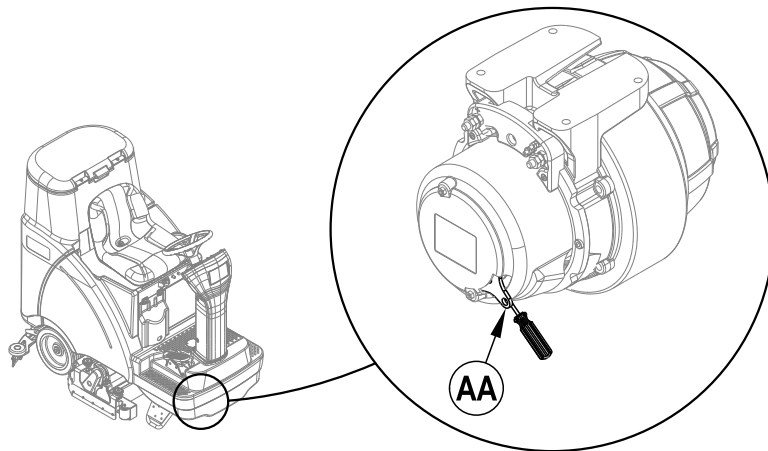
- Cadena de dirección
- Roscas del botón de ajuste del ángulo de bancada de la rasqueta
- Mandos de ajuste de altura del faldón lateral

**Una vez al mes, aplique aceite ligero de máquina para lubricar lo siguiente (BB):**

- Puntos de pivotaje generales para la rasqueta y la bieleta de la plataforma de limpieza.

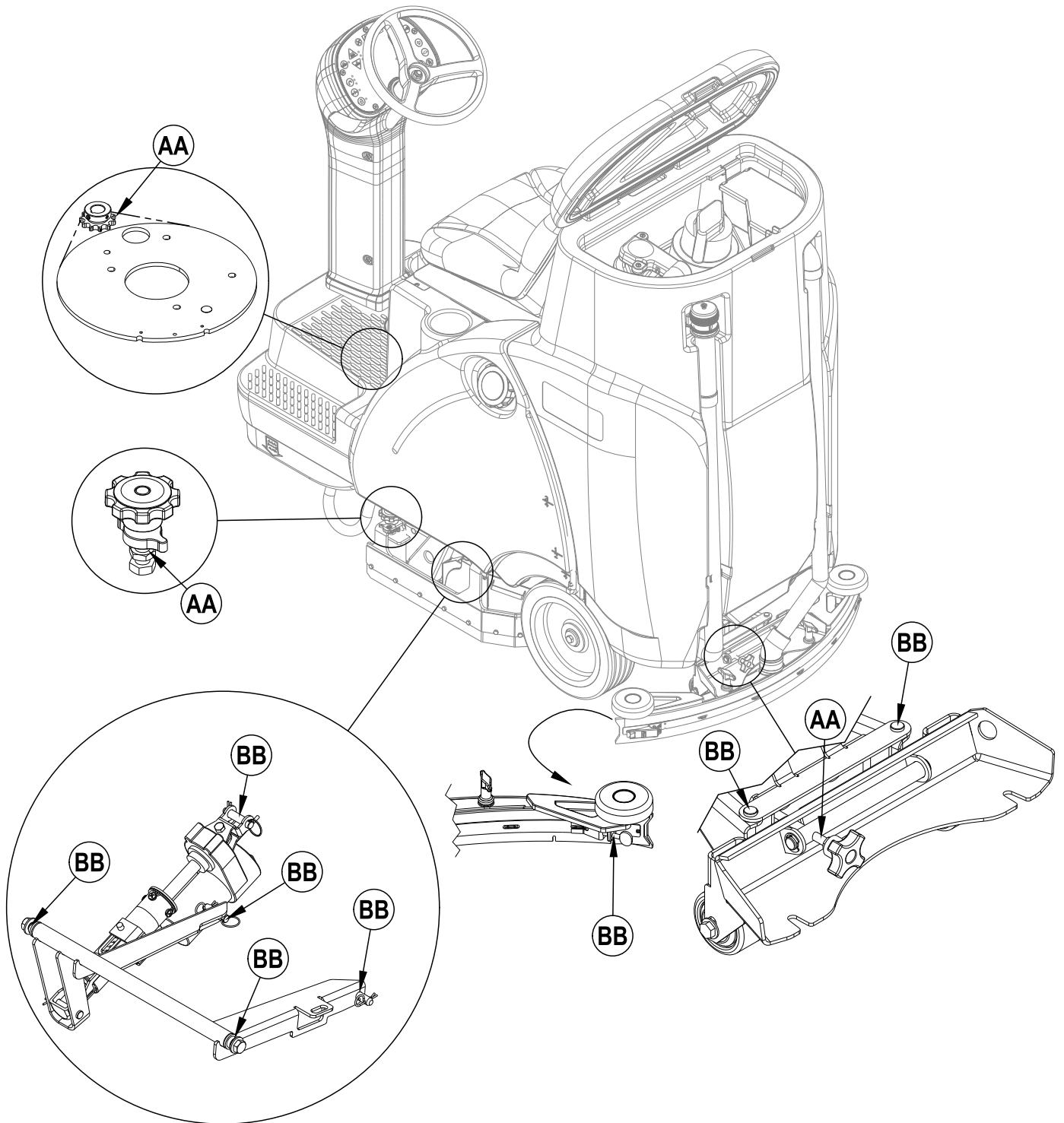
## FRENO ELECTROMAGNÉTICO

Consulte la figura 8. La rueda motriz (**4**) tiene un freno electromagnético integrado que se activa siempre que el conmutador de llave (**A**) esté apagado o el pedal de tracción (**3**) esté en la posición neutra. Este freno puede desactivarse manualmente cuando sea necesario insertando un destornillador mediano o grande detrás de la brida (**AA**) como se muestra. Esto sólo debe realizarse en caso de que necesite empujar o tirar de la unidad.



**FIGURA 8**

FIGURA 7



## RECARGA DE BATERÍAS HÚMEDAS

Recargue las baterías cada vez que se utilice la máquina o cuando el indicador de batería (F4) presente un nivel inferior al de carga completa.

### ¡ADVERTENCIA!

No rellene las baterías antes de recargarlas. Verifique que sólo las placas estén cubiertas.

Recargue las baterías exclusivamente en una zona bien ventilada. Si el ácido de batería entra en contacto con su piel, enjuague la zona afectada con agua durante 5 minutos y consulte a un médico.

No fume mientras maneja las baterías.

#### Cuando maneja las baterías...

- \* Qítense todas las joyas.
- \* No fume.
- \* Lleve gafas de seguridad, un delantal de goma y guantes de goma
- \* Trabaje en una zona bien ventilada.
- \* No permita que las herramientas toquen simultáneamente más de un borne de la batería.
- \* Al sustituir las baterías, desconecte SIEMPRE en primer lugar el cable (de tierra) negativo para evitar chispas.
- \* Al instalar las baterías, conecte SIEMPRE el cable negativo al final.

Si su máquina está equipada con cargador de baterías a bordo, realice lo siguiente:

Apague el interruptor de llave (A). Abra el compartimento de las baterías (10) para establecer una ventilación adecuada. Desenrolle el cable eléctrico del lado del cargador de a bordo y enchúfelo en una toma de corriente con la puesta a tierra adecuada. Consulte el manual del producto OEM para obtener instrucciones de funcionamiento más detalladas.

Si su máquina se envió sin cargador de baterías a bordo, realice lo siguiente:

Abra el compartimento de las baterías (10) y ajuste la varilla de apoyo (34). Desconecte las baterías de la máquina e introduzca el conector del cargador en el conector del conjunto de baterías (36). Siga las instrucciones que aparecen encima del cargador de las baterías. **NOTA DE SERVICIO:** Asegúrese de que enchufa el cargador de baterías en el conector que se acopla a las baterías.

### ¡PRECAUCIÓN!

Para evitar daños a la superficie del suelo, limpie siempre el agua y el ácido de la parte superior de las baterías después de la recarga. Una recarga insuficiente o excesiva reducirá la vida útil de la batería y limitará sus prestaciones. ¡Asegúrese de SEGUIR AL PIE DE LA LETRA LAS INSTRUCCIONES DE RECARGA!

## COMPROBACIÓN DEL NIVEL DE AGUA DE LAS BATERÍAS

Compruebe el nivel de agua de las baterías al menos una vez a la semana.

Retire las tapas de ventilación y verifique el nivel de agua de cada celda de la batería. Utilice agua destilada o desmineralizada en un dispensador de relleno de baterías (disponible en la mayoría de las tiendas de materiales para coches) para llenar todas las celdas hasta el indicador de nivel (o hasta 10 mm por encima de la parte superior de los separadores). ¡NO rellene demasiado las baterías!

### ¡PRECAUCIÓN!

Si las baterías están demasiado llenas se puede salpicar ácido al suelo.

Apriete las cubiertas de ventilación. Limpie las partes superiores de las baterías con una solución de levadura química y agua (2 cucharadas de levadura química en 1 litro de agua).

## RECARGA DE BATERÍAS DE GEL/AGM (VRLA)

Recargue las baterías cada vez que se utilice la máquina o cuando el indicador de batería (F4) presente un nivel inferior al de carga completa.

### ¡ADVERTENCIA!

Recargue las baterías exclusivamente en una zona bien ventilada. Si el ácido de batería entra en contacto con su piel, enjuague la zona afectada con agua durante 5 minutos y consulte a un médico.

No fume mientras maneja las baterías.

#### Cuando maneja las baterías...

- \* Qítense todas las joyas.
- \* No fume.
- \* Lleve gafas de seguridad, un delantal de goma y guantes de goma
- \* Trabaje en una zona bien ventilada.
- \* No permita que las herramientas toquen simultáneamente más de un borne de la batería.
- \* Al sustituir las baterías, desconecte SIEMPRE en primer lugar el cable (de tierra) negativo para evitar chispas.
- \* Al instalar las baterías, conecte SIEMPRE el cable negativo al final.

### ¡PRECAUCIÓN!

La batería de plomo ácido con regulación de tensión (VRLA) ofrece una vida útil y unas prestaciones superiores ¡SÓLO SI SE RECARGA CORRECTAMENTE! Una recarga insuficiente o excesiva reducirá la vida útil de la batería y limitará sus prestaciones. ¡Asegúrese de SEGUIR AL PIE DE LA LETRA LAS INSTRUCCIONES DE RECARGA! ¡NO INTENTE ABRIR ESTA BATERÍA! Si la batería VRLA se abre, pierde su presión y las placas se contaminan de oxígeno. LA GARANTÍA QUEDA ANULADA SI LA BATERÍA SE ABRE.

Si su máquina está equipada con cargador de baterías a bordo, realice lo siguiente:

Apague el interruptor de llave (A). Abra el compartimento de las baterías (10) para establecer una ventilación adecuada. Desenrolle el cable eléctrico del lado del cargador de a bordo y enchúfelo en una toma de corriente con la puesta a tierra adecuada. Consulte el manual del producto OEM para obtener instrucciones de funcionamiento más detalladas.

Si su máquina se envió sin cargador de baterías a bordo, realice lo siguiente:

Abra el compartimento de las baterías (10) y ajuste la varilla de apoyo (34). Desconecte las baterías de la máquina e introduzca el conector del cargador en el conector del conjunto de baterías (36). Siga las instrucciones que aparecen encima del cargador de las baterías. **NOTA DE SERVICIO:** Asegúrese de que enchufa el cargador de baterías en el conector que se acopla a las baterías.

**IMPORTANTE:** Asegúrese de que dispone de un cargador adecuado para su uso con baterías de celdas de gel. Utilice únicamente cargadores de "regulación de tensión" o de "limitación de tensión". NO DEBEN utilizarse cargadores de corriente variable o de corriente constante estándar. Se recomienda el uso de un cargador sensible a la temperatura, dado que los ajustes manuales nunca son precisos y dañarán cualquier batería VRLA.

## MANTENIMIENTO DE LA RASQUETA

Si la rasqueta deja bandas estrechas de agua, puede que las hojas estén sucias o dañadas. Retire la rasqueta, aclárela con agua tibia e inspeccione las hojas. Invierta las hojas o sustitúyalas si están cortadas, rasgadas, onduladas o desgastadas.

### Para invertir o sustituir la hoja secadora de la rasqueta trasera...

- 1 Consulte la figura 9. Eleve la rasqueta del suelo y a continuación abra el pestillo de retirada de la hoja de la rasqueta trasera (32) en la rasqueta
- 2 Retire la correa de tensión (AA).
- 3 Deslice la hoja posterior para sacarla de las clavijas de alineación.
- 4 La hoja de la rasqueta tiene 4 bordes de trabajo. Gire la hoja de manera que un borde limpio e intacto apunte hacia la parte frontal de la máquina. Sustituya la hoja si los 4 bordes están mellados, rotos o desgastados al mínimo.
- 5 Instale la hoja siguiendo los pasos en orden inverso y ajuste la inclinación de la rasqueta (31).

### Para invertir o sustituir la hoja de la rasqueta delantera...

- 1 Eleve el conjunto de rasquetas del suelo y a continuación suelte las (2) tuercas de mariposa (AB) de la parte superior de la rasqueta, y retire el conjunto de rasqueta del montaje.
- 2 Retire la tuerca de mariposa de retirada de la hoja de rasqueta delantera (33), y luego retire la correa de tensión y la hoja (AC).
- 3 La hoja de la rasqueta tiene 4 bordes de trabajo. Gire la hoja de manera que un borde limpio e intacto apunte hacia la parte frontal de la máquina. Sustituya la hoja si los 4 bordes están mellados, rotos o desgastados al mínimo.
- 4 Instale la hoja siguiendo los pasos en orden inverso y ajuste la inclinación de la rasqueta.

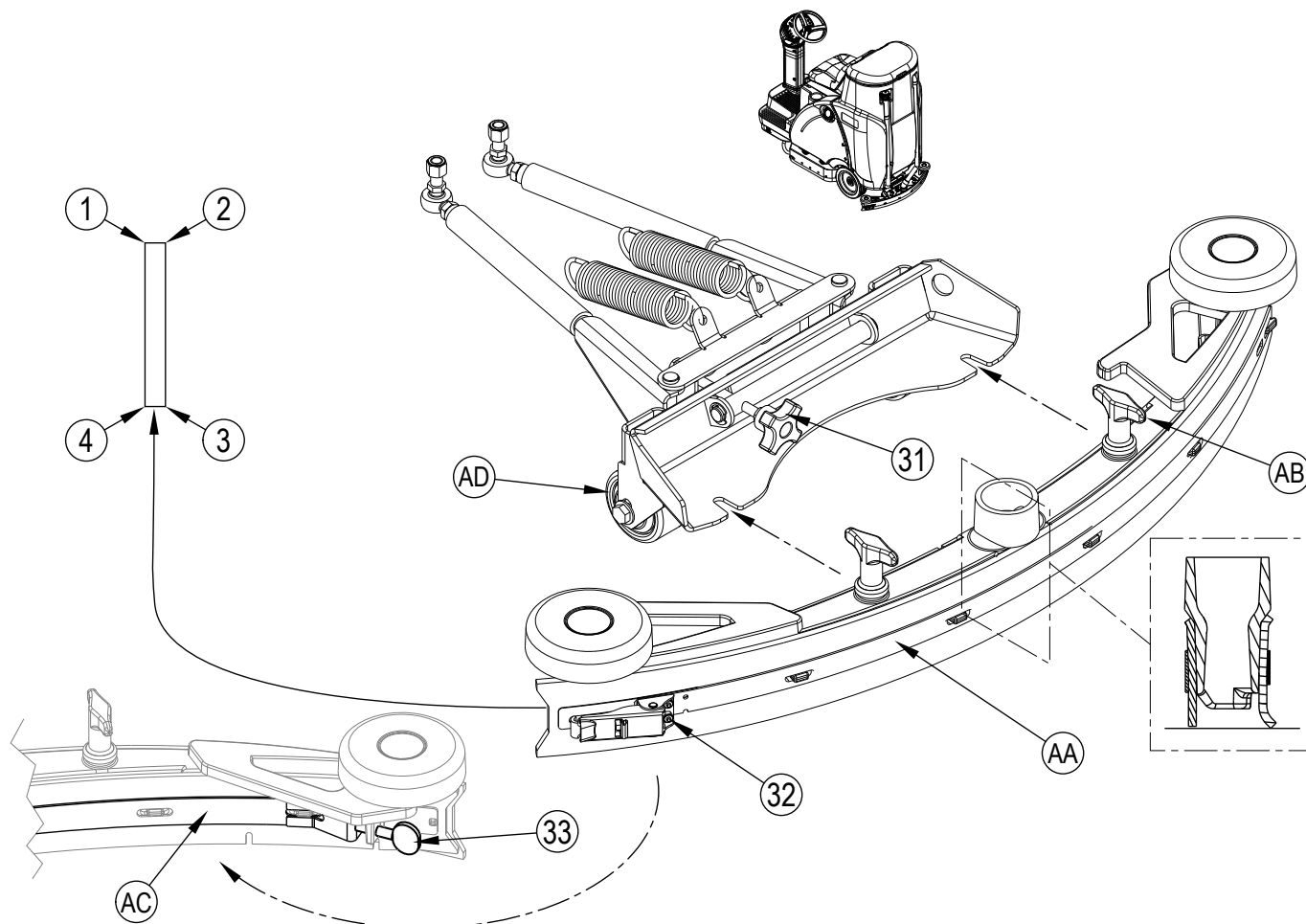
## AJUSTE DE LA RASQUETA

Hay dos ajustes posibles de la rasqueta: inclinación y altura.

Ajuste la inclinación de la rasqueta siempre que sustituya o invierta la hoja o cuando la rasqueta no deje seco el suelo.

- 1 Aparque la máquina en una superficie plana e igualada y baje la rasqueta. A continuación lleve la máquina hacia delante hasta que las hojas de la rasqueta se plieguen hacia la parte trasera.
- 2 Ajuste la inclinación y la altura de la rasqueta utilizando el mando de ajuste de inclinación de la rasqueta (31) y la rueda de altura de la rasqueta (AD), de manera que la hoja de la rasqueta trasera toque el suelo homogéneamente en toda la anchura y se doble ligeramente como se muestra en la sección transversal de la rasqueta.

FIGURA 9



## MANTENIMIENTO DEL FALDÓN LATERAL

La función de los faldones laterales es canalizar el agua residual hacia la rasqueta, lo que ayuda a mantener el agua dentro de la trayectoria de limpieza de la máquina. Durante el uso normal las hojas se gastarán con el tiempo. El operador verá que una pequeña cantidad de agua sale por debajo de los faldones laterales. Puede realizarse fácilmente un ajuste de la altura para bajar las hojas, de manera que la rasqueta pueda recoger toda el agua.

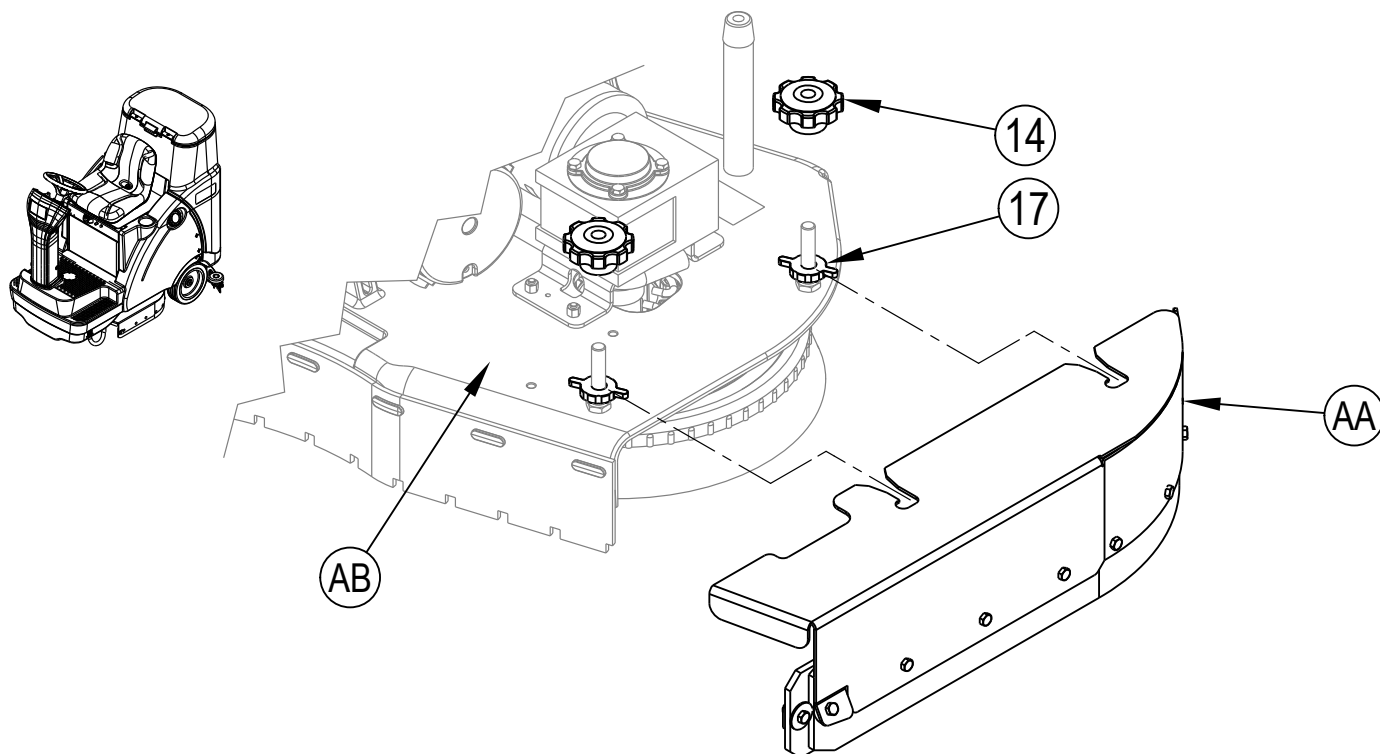
**Para invertir o sustituir el/los faldón/faldones laterales del sistema de fregado.**

- 1 **Consulte la figura 10.** Afloje los (2) mandos para retirar el faldón lateral de la plataforma (14) (2 por cada lado) y tire de los conjuntos de los faldones (AA) ligeramente hacia delante (sólo del disco y BOOST), y luego sáquelos de la plataforma de limpieza.
- 2 Retire todo el material que mantiene las hojas en los alojamientos de los faldones.
- 3 Los faldones laterales tienen 2 bordes funcionales. Gire los faldones para que haya un borde limpio y sin daños mirando hacia dentro. Sustituya los faldones como un conjunto si están mellados, rotos o desgastados hasta tal punto que no puedan ajustarse.
- 4 Vuelva a instalar los conjuntos de los alojamientos de los faldones en la máquina, y ajuste el faldón para que haga un buen contacto con el suelo cuando la plataforma de fregado esté en posición de fregado.

## AJUSTE DE ALTURA DEL FALDÓN LATERAL

- 1 **Consulte la figura 10.** Los pernos del retén del mando del alojamiento del faldón lateral tienen mandos de ajuste de la altura del faldón de la plataforma (17) que deben elevarse o bajarse para compensar el desgaste del faldón.
- 2 Para ajustarlos, retire los conjuntos de faldón (AA) de la plataforma de fregado (AB) para acceder a los mandos de ajuste de la altura del faldón de la plataforma (17). Consejo para el ajuste: Los mandos de ajuste de altura del faldón de la plataforma (14) pueden aflojarse con los faldones colocados, y los mandos de ajuste de altura del faldón de la plataforma (17) pueden rotarse bajo el alojamiento de los faldones.
- 3 Gire los mandos de ajuste de altura del faldón de la plataforma (17) (arriba o abajo) justo hasta donde las hojas se plieguen al fregar, de manera que toda el agua residual se quede dentro de los faldones. **NOTA:** Realice pequeños ajustes para obtener un buen secado de los faldones. No baje los faldones hasta el punto en que se plieguen excesivamente y sufran un desgaste innecesario.

FIGURA 10



Se muestra el disco. Igual procedimiento para BOOST.

## SOLUCIÓN DE PROBLEMAS GENERALES DE LA MÁQUINA

Problema	Posible causa	Solución
Recogida escasa del agua	Hojas de la rasqueta gastadas o desgarradas	Invierta o sustituya las cuchillas
	Rasqueta (11) mal ajustada	Ajuste la rasqueta de manera que los faldones toquen el suelo de manera uniforme en toda su anchura
	Depósito de recuperación lleno	Vacíe el depósito de recuperación
	Fuga del tubo de vaciado del depósito de recuperación (28)	Sujete la tapa de la tubería de drenaje o sustitúyala
	Fuga en la junta de la tapa del tanque de recuperación (24)	Sustituya la junta / Asiente correctamente la tapa
	Residuos atrapados en la rasqueta (11)	Limpie el conjunto de rasqueta
	Tubo de recuperación (29) obstruido	Retire los residuos
	Uso de demasiada solución	Ajuste el flujo de la solución en el panel de control
Fregado poco eficaz	Cepillo o bayeta desgastados	Rote o sustituya los cepillos
	Tipo de cepillo o bayeta incorrecto	Consulte a Clarke
	Limpiador químico incorrecto	Consulte a Clarke
	Movimiento demasiado rápido de la máquina.	Reduzca la velocidad.
	No se está utilizando suficiente solución.	Aumente el flujo de la solución en el panel de control
Flujo de solución inadecuado o inexistente	Depósito de solución vacío	Llene el depósito de solución
	Tuberías, válvulas, filtro o canal de la solución (20) obstruidos	Lave las tuberías y limpie el filtro de solución
	Válvula de cierre de la solución (21) cerrada	Abra la válvula de cierre de la solución
	Válvula de solenoide de la solución (19)	Limpie o sustituya la válvula
La máquina no enciende	Conector de las baterías de la máquina (36) desconectado	Vuelva a conectar los conectores de las baterías
	Conmutador de seguridad del asiento del operador	Compruebe si existe un cortocircuito y sustituya
	Controlador principal del sistema	Compruebe los códigos de error <b>(hable con un Centro de Servicios Autorizado de Clarke)</b>
	Disyuntor de 10 A (6) saltado	Compruebe si existe un cortocircuito eléctrico y reinicie
Ausencia de tracción de las ruedas marcha adelante/atrás	Interruptor de parada de emergencia (7) saltado	Restablezca el interruptor de parada de emergencia
	Controlador de velocidad del sistema de tracción	Compruebe los códigos de error <b>(hable con un Centro de Servicios Autorizado de Clarke)</b>
	Disyuntor de 70 A (5) saltado	Compruebe si se ha producido una sobrecarga del motor de tracción
No hay flujo de detergente	Depósito de detergente (13) vacío	Llene el depósito de detergente
	Línea de flujo de detergente obstruida o torcida	Purgue el sistema, enderece las líneas para eliminar pliegues
	Bomba de detergente	Revise la bomba y las líneas (puede requerir cebado)

**ESPECIFICACIONES TÉCNICAS (según la instalación y las pruebas de la unidad)**

Modelo		Focus II 28 D	Focus II 28 B	Focus II 34 D
		Focus II 28 D OBC	Focus II 28 B OBC	Focus II 34 D OBC
Nº de modelo		56114000	56114003	56114002
		56114010	56114009	56114001
Tensión, baterías	V	24V	24V	24V
Capacidad de la batería	Ah	238	238	238
Grado de protección		IPX3	IPX3	IPX3
Nivel de presión sonora IEC 60335-2-72: 2002, enmienda 1:2005, ISO 11201	dB (A)	68.3dB LpA, 3dB KpA	68.6dB LpA, 3dB KpA	68.3dB LpA, 3dB KpA
Peso bruto	lbs / kg	1,328/602	1,371/622	1,328/602
Peso vacío	lbs / kg	547/248	590/267	547/248
Carga máxima en suelo de rueda (frontal central)	psi / N/mm <sup>2</sup>	152 / 1.05	152 / 1.05	152 / 1.05
Carga máxima en suelo de rueda (posterior derecha)	psi / N/mm <sup>2</sup>	193 / 1.33	193 / 1.33	193 / 1.33
Carga máxima en suelo de rueda (posterior izquierda)	psi / N/mm <sup>2</sup>	154 / 1.06	154 / 1.06	154 / 1.06
Vibraciones en los controles manuales (ISO 5349-1)	m/s <sup>2</sup>	.181	.386	.181
Vibraciones en el asiento (EN 1032)	m/s <sup>2</sup>	0.014	0.132	0.014
Inclinación en transporte		12.5% (7.1°)	12.5% (7.1°)	12.5% (7.1°)
Inclinación en limpieza		7.9% (4.5°)	7.9% (4.5°)	7.9% (4.5°)

OBC = Cargador a bordo (IE: Focus II 28 D OBC)

**Composición del material y reciclaje**

Tipo	% del peso de la máquina	% reciclable
Aluminio	5%	100%
Eléctrico / motores / misc.	19%	28%
Metales ferrosos	35%	100%
Arneses / cables	4%	81%
Líquidos	0%	0%
Plástico – no reciclable	9%	0%
Plástico – reciclable	2%	100%
Polietileno	26%	92%
Goma	1%	29%



## TABLE DES MATIÈRES

	Page
Introduction.....	C-2
Avertissements.....	C-3
Apprenez à connaître votre machine.....	C-4 – C-5
Panneau de commande.....	C-6
<b>Préparation de la machine</b>	
Installation des batteries.....	C-7
Installation des brosses.....	C-8 - C-9
Installation de la raclette.....	C-10
Remplissage du réservoir de solution.....	C-10
Système de détergent.....	C-11
<b>Fonctionnement de la machine</b>	
Lavage.....	C-12 - C-13
Aspiration humide.....	C-12 - C-13
Après l'utilisation.....	C-14
Programme d'entretien.....	C-14
Lubrification de la machine.....	C-14 - C-15
Chargement des batteries (humides).....	C-16
Vérification du niveau d'eau de la batterie.....	C-16
Chargement des batteries (sèches).....	C-16
Entretien de la raclette.....	C-17
Réglage de la raclette.....	C-17
Entretien de la bavette latérale.....	C-18
Réglage de la hauteur de la bavette latérale.....	C-18
Dépannage.....	C-19
Spécifications techniques.....	C-20

## INTRODUCTION

Ce manuel d'utilisation vous permettra d'exploiter au maximum les fonctionnalités de votre laveuse à conducteur porté Clarke. Lisez-le attentivement avant d'utiliser la machine.

**Note : les chiffres en gras entre parenthèses indiquent que la pièce figure sur les illustrations des pages C-4 à C-6.**

Cette machine convient uniquement à une utilisation commerciale, comme dans les hôtels, écoles, hôpitaux, usines, magasins, bureaux et entreprises de location. La laveuse Focus II Rider est une machine de lavage des sols alimentée par une batterie.

## PIÈCES ET SERVICE APRÈS-VENTE

Les réparations nécessaires doivent être effectuées par votre centre de service agréé Clarke. Ce dernier emploie du personnel formé en usine et maintient un inventaire de pièces de rechange et d'accessoires Clarke d'origine.

Pour tout entretien ou réparation, contactez votre REVENDEUR CLARKE. Veuillez préciser les numéros de modèle et de série de votre machine dans toute communication.

## MODIFICATIONS

Les modifications et ajouts d'éléments à la machine de lavage, qui affectent ses capacités et son fonctionnement sécurisé, ne doivent pas être réalisés sans le consentement préalable et écrit de Nilfisk-Advance Inc. Toute altération non approuvée annulera la garantie de la machine. En outre, le client sera entièrement responsable des accidents associés.

## PLAQUE D'IDENTIFICATION

Les numéros de modèle et de série figurent sur la plaque d'identification de votre machine. Ces informations sont nécessaires pour commander des pièces détachées. Utilisez l'espace ci-dessous pour consigner ces renseignements en vue d'une utilisation ultérieure.

NUMÉRO DE MODÈLE \_\_\_\_\_

NUMÉRO DE SÉRIE \_\_\_\_\_

## DÉBALLAGE DE LA MACHINE

Lors de la livraison de la machine, veuillez inspecter soigneusement l'emballage et la machine afin de déceler tout dommage éventuel. En cas de dommage manifeste, conservez le carton de conditionnement (au besoin) afin d'en permettre l'inspection. Prenez immédiatement contact avec le service clientèle de Clarke afin de faire une déclaration de dégât de fret. Veuillez consulter la fiche d'instruction de déballage livrée avec la machine afin d'enlever la machine de la palette.

## AVERTISSEMENT !

Les Produits vendus avec le présent manuel contiennent ou peuvent contenir des produits chimiques reconnus par certains gouvernements (comme l'État de Californie, par le biais de la proposition de loi d'avertissement réglementaire 65) comme provoquant des cancers, des anomalies congénitales et autres dangers pour la reproduction. Dans certains endroits (comme l'État de Californie), les acheteurs de ces Produits, qui les utilisent sur un lieu de travail ou dans un espace public, ont l'obligation d'apposer certains avis, avertissements ou informations concernant les produits chimiques qui sont ou peuvent être contenus dans les Produits dans ces lieux ou aux alentours de ces lieux de travail. Il incombe à l'acheteur de connaître les dispositions de, et de respecter, toutes les lois et réglementations ayant trait à l'utilisation de ces Produits au sein de tels environnements. Le Fabricant rejette toute responsabilité d'informer les acheteurs concernant les exigences spécifiques qui peuvent s'appliquer à l'utilisation de ces Produits dans de tels environnements.

## AVERTISSEMENTS

### SYMBOLES

Les symboles reproduits ci-dessous sont utilisés par Clarke pour attirer l'attention de l'opérateur sur des situations potentiellement dangereuses. Il est donc conseillé de les lire attentivement et de prendre les mesures adéquates en vue de protéger le personnel et les biens.

Cette machine est destinée à un usage commercial et peut, entre autres, être utilisée dans les hôtels, écoles, hôpitaux, usines et bureaux. Elle n'a donc pas été conçue pour l'entretien ménager.

#### **DANGER !**

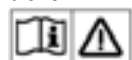
Utilisé pour mettre en garde contre les dangers immédiats pouvant entraîner des blessures graves, voire un décès.

#### **AVERTISSEMENT !**

Utilisé pour attirer l'attention sur une situation susceptible d'entraîner des blessures graves.

#### **ATTENTION !**

Utilisé pour attirer l'attention sur une situation qui pourrait entraîner des blessures minimales ou des dommages mineurs de la machine ou autres biens.



Veuillez lire l'ensemble des instructions avant d'utiliser la machine.

## CONSIGNES GÉNÉRALES DE SÉCURITÉ

Les consignes spécifiques de prudence et de sécurité mentionnées dans ce document ont pour but de vous informer sur les risques potentiels de dommages matériels ou de blessures physiques.

#### **AVERTISSEMENT !**

- \* Cette machine doit être utilisée uniquement par un personnel parfaitement qualifié et autorisé.
- \* L'utilisation de cette machine n'est pas destinée aux personnes (notamment les enfants) qui souffrent de capacités physiques, sensorielles ou mentales diminuées, ou d'un manque d'expérience et de connaissances.
- \* Évitez les arrêts soudains lorsque la machine se trouve sur des rampes ou des pentes. Évitez les virages serrés. Adoptez une vitesse réduite lorsque la machine est en descente.
- \* Éloignez les batteries de toute flamme, étincelle ou substance fumigène. Des gaz explosifs sont dégagés lors du fonctionnement normal.
- \* De plus, du gaz hydrogène explosif s'échappe des batteries lorsqu'elles sont en charge. Procédez au chargement des batteries uniquement dans une zone bien aérée, loin de toute flamme nue. Ne fumez pas à proximité des batteries lorsqu'elles sont en charge.
- \* Enlevez tous vos bijoux lorsque vous travaillez à proximité de composants électriques.
- \* Placez l'interrupteur principal en position d'arrêt (O) et débranchez les batteries avant de procéder à l'entretien des composants électriques.
- \* Ne travaillez jamais sous une machine sans avoir placé au préalable des blocs de sécurité ou des étais pour soutenir la machine.
- \* Ne déversez pas des produits nettoyants inflammables, ne faites pas fonctionner la machine sur ou à proximité de tels produits ou dans des zones contenant des liquides inflammables.
- \* Ne nettoyez pas cette machine avec un nettoyeur à haute pression.
- \* Utilisez uniquement les brosses fournies avec l'appareil ou celles spécifiées dans le manuel d'utilisation. L'utilisation d'autres brosses peut mettre la sécurité en péril.

#### **ATTENTION !**

- \* Cette machine n'est pas conçue pour une utilisation sur les voies publiques.
- \* Cette machine n'est pas conçue pour le ramassage des poussières dangereuses.
- \* N'utilisez pas de disques de scarificateur ni de meules. Clarke ne pourra en aucun cas être tenu pour responsable des dommages occasionnés à vos sols par ce type d'équipement (vous risquez également d'endommager le système d'entraînement des brosses).
- \* Lors de l'utilisation de cette machine, assurez-vous que les autres personnes, et notamment les enfants, ne courent aucun risque.
- \* Avant de procéder à toute opération d'entretien, veuillez lire attentivement toutes les instructions qui s'y rapportent.
- \* Ne laissez pas la machine sans surveillance sans avoir, au préalable, placé l'interrupteur principal en position d'arrêt (O), enlevé la clé de contact et actionné le frein à main.
- \* Tournez l'interrupteur principal en position d'arrêt (O) et enlevez la clé avant de remplacer les brosses et d'ouvrir un panneau d'accès.
- \* Prenez toutes les mesures nécessaires pour éviter que des cheveux, bijoux ou vêtements amples ne soient entraînés dans les parties mobiles de la machine.
- \* Faites attention lorsque vous déplacez cette machine dans un endroit où la température peut descendre en dessous de zéro. L'eau contenue dans les réservoirs de solution, de récupération ou de détergent ou dans les conduites risquerait de geler et d'endommager les vannes et les raccords de la machine. Rincez avec un liquide de lave-glace.
- \* Prenez soin d'enlever les batteries de la machine avant de la mettre au rebut. Concernant l'élimination des batteries, respectez les réglementations locales en matière d'environnement.
- \* N'utilisez pas cette machine sur des pentes dont l'inclinaison est supérieure à celle indiquée sur la machine.
- \* Tous les couvercles et portes doivent être dans la position indiquée dans le manuel d'utilisation avant de mettre la machine en service.
- \* Cette machine doit être utilisée et rangée uniquement à l'intérieur de bâtiments.

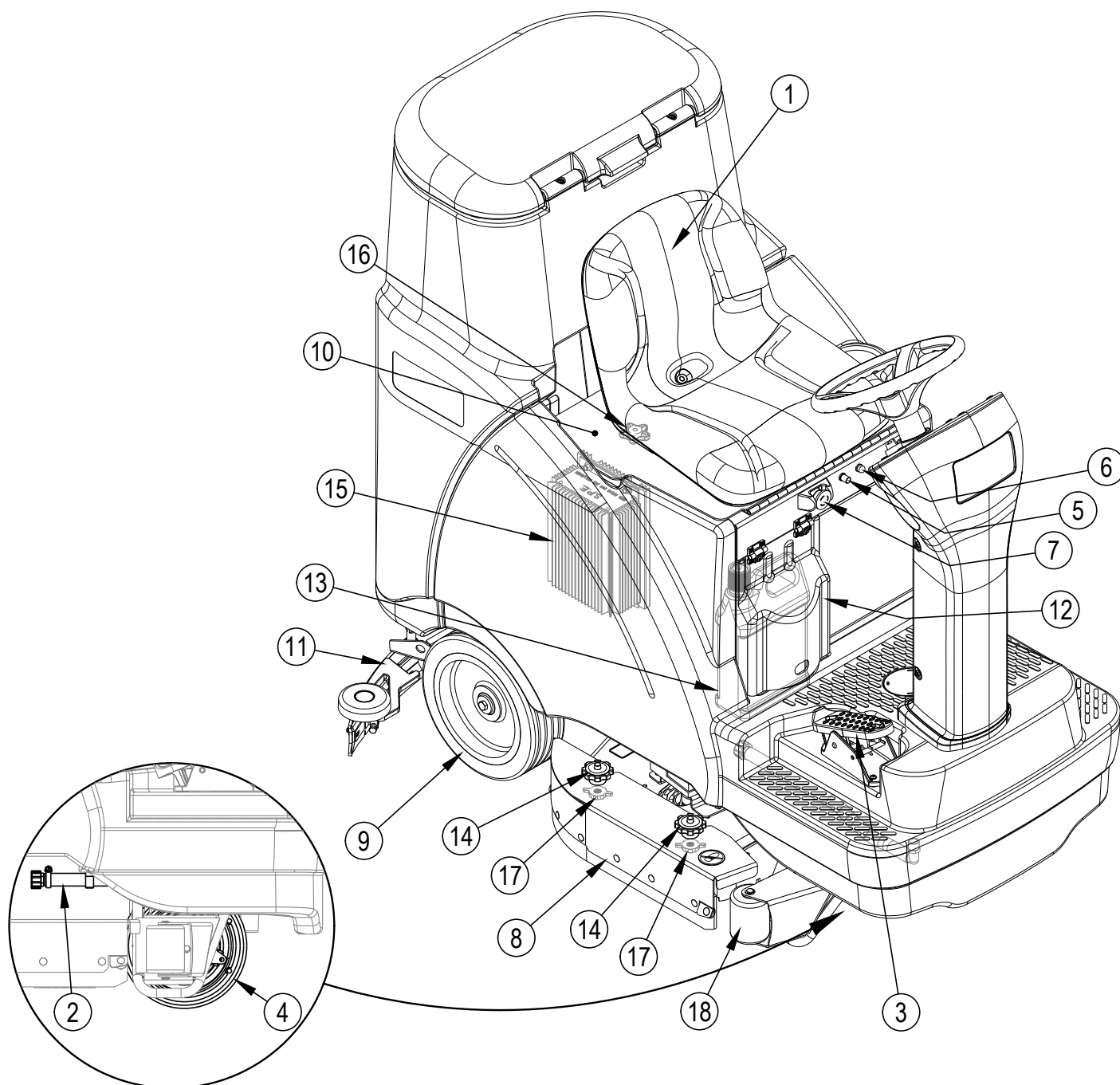
## CONSERVEZ CES CONSIGNES

## APPRENEZ À CONNAÎTRE VOTRE MACHINE

En lisant ce manuel, vous rencontrerez à l'occasion un chiffre ou une lettre en gras et entre parenthèses, tel que : **(2)**. Ces chiffres font référence à un élément illustré sur ces pages, sauf indication contraire. Reportez-vous à ces pages dès que nécessaire afin de repérer avec précision un élément mentionné dans le texte.

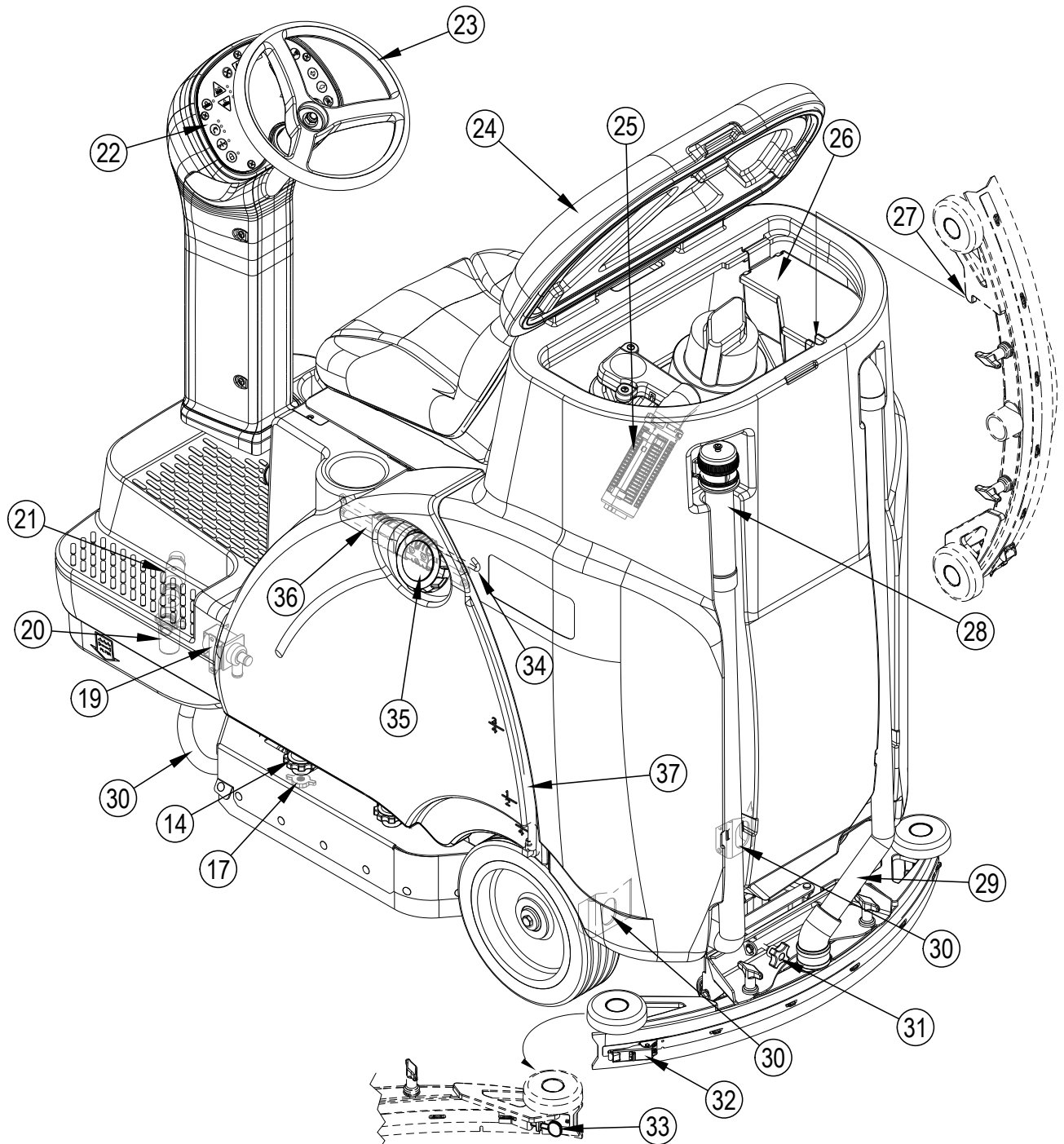
**NOTE** : consultez le manuel d'entretien pour obtenir des explications détaillées sur chaque élément illustré dans les 4 pages suivantes.

- |    |  |    |   |
|----|--|----|---|
| 1  | <b>Siège de l'opérateur</b>                      | 11 | <b>Raclette</b>   |
| 2  | <b>Tuyau de vidange du réservoir de solution</b> | 12 | <b>Couvercle d'accès au bidon de détergent (modèles à détergent uniquement)</b> |
| 3  | <b>Pédale d'entraînement</b>                     | 13 | <b>Bidon de détergent (modèles à détergent uniquement / non fourni)</b>         |
| 4  | <b>Roue motrice</b>                              | 14 | <b>Boutons de démontage de la bavette du plateau</b>                            |
| 5  | <b>Disjoncteur de la roue motrice (70 A)</b>     | 15 | <b>Chargeur de batterie (en option / sous le siège)</b>                         |
| 6  | <b>Disjoncteur de commande (10 A)</b>            | 16 | <b>Bouton de réglage du siège</b>   |
| 7  | <b>Arrêt d'urgence</b>                           | 17 | <b>Bouton de réglage de la hauteur de la bavette du plateau</b>                 |
| 8  | <b>Plateau de lavage</b>                         | 18 | <b>Galet pare-chocs avant</b>   |
| 9  | <b>Roue arrière</b>                              |    |   |
| 10 | <b>Couvercle du compartiment de batterie</b>     |    |   |



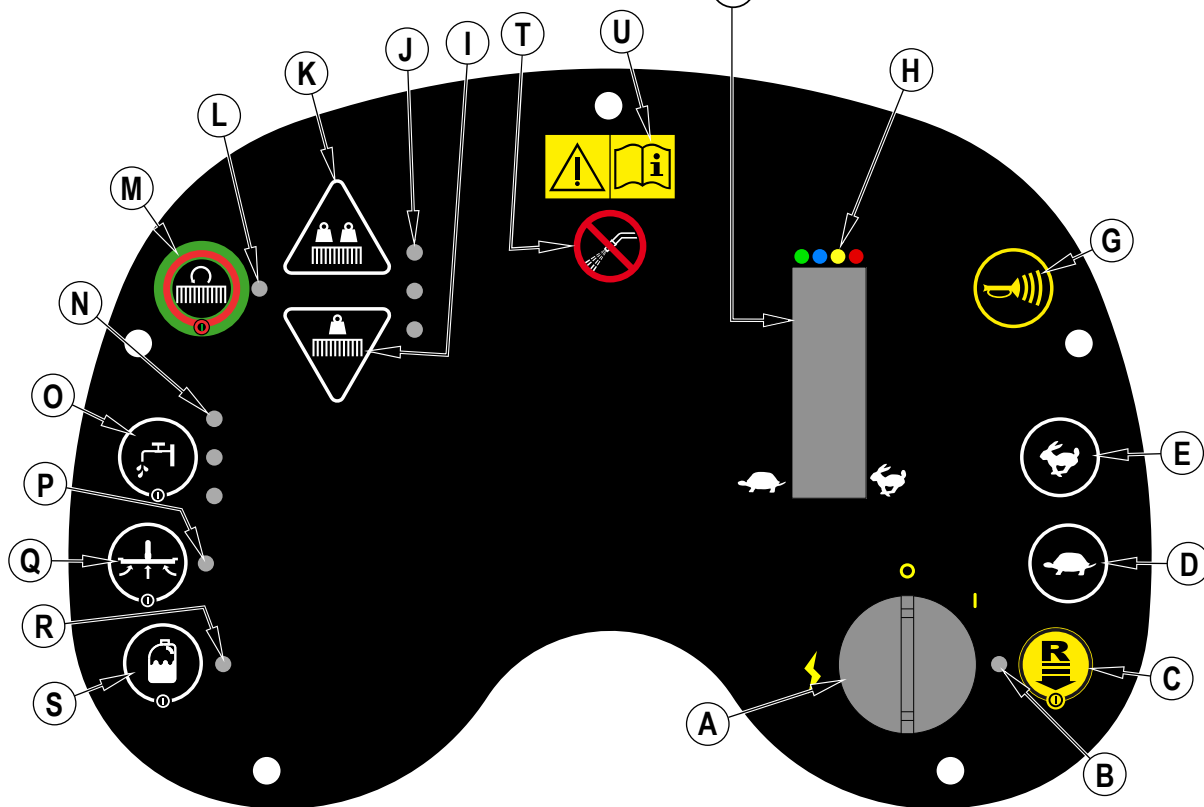
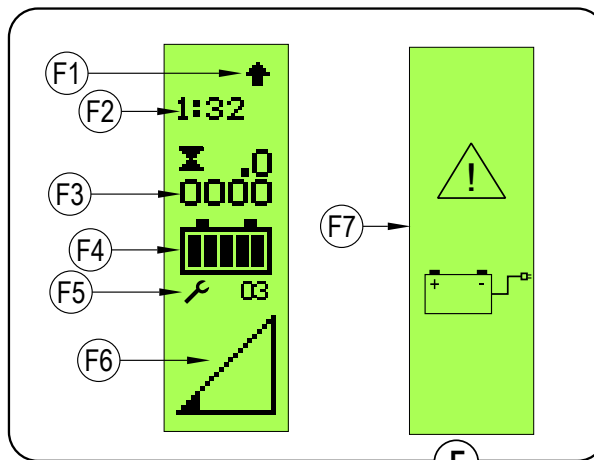
## APPRENEZ À CONNAÎTRE VOTRE MACHINE

- |    |  |    |   |
|----|--|----|---|
| 19 | Électrovanne de solution                                     | 29 | Tuyau de récupération   |
| 20 | Filtre de solution   | 30 | Points d'amarrage   |
| 21 | Vanne d'arrêt de la solution                                 | 31 | Bouton de réglage de l'inclinaison de la raclette             |
| 22 | Panneau de commande  | 32 | Loquet de démontage de la lame arrière de la raclette         |
| 23 | Volant   | 33 | Écrou à ailettes de démontage de la lame avant de la raclette |
| 24 | Couvercle du réservoir de récupération                       | 34 | Tige de support du siège                                      |
| 25 | Système de fermeture à flotteur du réservoir de récupération | 35 | Bouchon de remplissage du réservoir de solution               |
| 26 | Panier-filtre  | 36 | Connecteur de batterie de la machine                          |
| 27 | Crochet de rangement de la raclette                          | 37 | Tube de regard du niveau du réservoir de solution             |
| 28 | Tuyau de vidange du réservoir de récupération                |    |   |



## PANNEAU DE COMMANDE

- |  |  |
|--|--|
| <p>A Interrupteur principal<br/>         B Voyant de recul<br/>         C Interrupteur de marche avant / arrière<br/>         D Interrupteur de ralentissement<br/>         E Interrupteur d'accélération<br/>         F Affichage graphique<br/>         F1 Indicateur de la concentration du détergent (au niveau de H)<br/>         F2 Indicateur du taux de détergent<br/>         F3 Compteur horaire<br/>         F4 Indicateur de la batterie<br/>         F5 Codes d'erreur<br/>         F6 Indicateur de vitesse<br/>         F7 Indicateur de batterie faible<br/>         G Interrupteur de l'avertisseur sonore<br/>         H Symboles de concentration du détergent<br/>         I Interrupteur de réduction de la pression de la brosse</p> | <p>J Voyants de la pression de la brosse<br/>         HAUT = ÉLEVÉE<br/>         MILIEU = MOYENNE<br/>         BAS = FAIBLE<br/>         K Interrupteur d'augmentation de la pression de la brosse<br/>         L Voyant de marche / arrêt du lavage<br/>         M Interrupteur de marche / arrêt du lavage<br/>         N Voyants du débit de solution<br/>         HAUT = ÉLEVÉ<br/>         MILIEU = MOYEN<br/>         BAS = FAIBLE<br/>         O Interrupteur de contrôle de la solution<br/>         P Voyant de marche / arrêt de l'aspiration<br/>         Q Interrupteur de marche / arrêt de l'aspiration<br/>         R Voyant de marche / arrêt du détergent<br/>         S Interrupteur de contrôle du détergent<br/>         T Symbole « Nettoyage sans pression »<br/>         U Symbole « Lire toutes les instructions avant l'utilisation »</p> |
|--|--|



## BATTERIES

Si votre machine est livrée avec des batteries installées, procédez comme suit :

- Vérifiez que les batteries sont branchées à la machine (36).
- Mettez l'interrupteur principal (A) en position de marche (I) et contrôlez l'indicateur de la batterie (F4). Si la jauge est complètement remplie, les batteries sont prêtes à être utilisées. Si la jauge n'indique pas une pleine charge, chargez les batteries avant l'utilisation. Consultez la section « Chargement des batteries ».
- **IMPORTANT ! SI VOTRE MACHINE EST DOTÉE D'UN CHARGEUR DE BATTERIE INTÉGRÉ, VEUILLEZ CONSULTER LE MANUEL DU FABRICANT POUR OBTENIR DES INSTRUCTIONS SUR LE RÉGLAGE DU CHARGEUR EN FONCTION DU TYPE DE BATTERIE.**

Si votre machine est livrée sans batteries installées, procédez comme suit :

- Consultez votre revendeur agréé Clarke pour connaître les modèles de batterie recommandés.
- Installez les batteries en suivant les instructions ci-dessous.
- **N'installez PAS deux batteries de 12 volts dans votre machine. Cela pourrait affecter la stabilité de la machine.**
- **IMPORTANT ! SI VOTRE MACHINE EST DOTÉE D'UN CHARGEUR DE BATTERIE INTÉGRÉ, VEUILLEZ CONSULTER LE MANUEL DU FABRICANT POUR OBTENIR DES INSTRUCTIONS SUR LE RÉGLAGE DU CHARGEUR EN FONCTION DU TYPE DE BATTERIE.**

## INSTALLATION DES BATTERIES



### AVERTISSEMENT !

Soyez très prudent lorsque vous manipulez les batteries. L'acide sulfurique qu'elles contiennent peut provoquer des blessures graves en cas de contact avec la peau ou les yeux. De l'hydrogène explosif émane de l'intérieur des batteries par les orifices aménagés dans les bouchons de batterie. Ce gaz peut être enflammé par un arc électrique, une étincelle ou une flamme. Si l'acide de batterie entre en contact avec votre peau, rincez la zone contaminée à l'eau pendant 5 minutes et consultez un médecin.

Lors de l'entretien des batteries...

- \* Retirez tous vos bijoux.
- \* Ne fumez pas.
- \* Portez des lunettes de protection, ainsi qu'un tablier et des gants en caoutchouc.
- \* Travaillez dans une zone bien aérée.
- \* Veillez à ce que les outils ne touchent pas plusieurs bornes de la batterie en même temps.
- \* Débranchez TOUJOURS le câble de polarité négative (terre) en premier lors du remplacement des batteries afin d'éviter des étincelles.
- \* Branchez TOUJOURS le câble négatif en dernier lors de l'installation des batteries.



### ATTENTION !

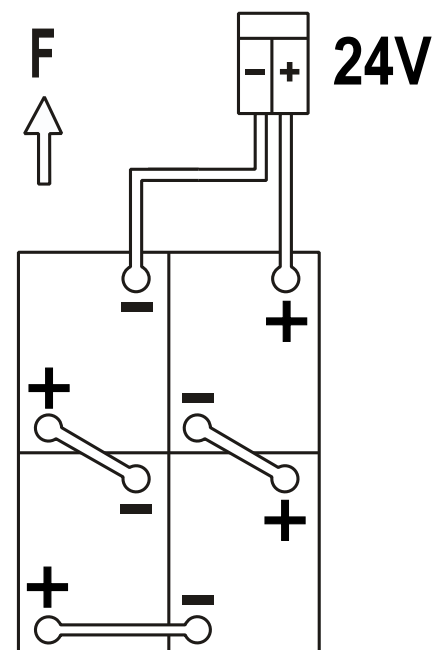
Les composants électriques de cette machine peuvent être gravement endommagés si les batteries ne sont pas installées et branchées correctement. Nous vous conseillons de faire installer les batteries par un technicien Clarke ou un électricien qualifié.

- 1 Placez l'interrupteur principal (A) en position d'arrêt (O) et enlevez la clé. Ensuite, basculez le couvercle du compartiment de batteries (10) pour l'ouvrir et réglez la tige de support du siège (34).
- 2 Utilisez une sangle de levage et faites vous aider par une autre personne pour installer les batteries dans le compartiment, exactement comme illustré. Consultez l'autocollant 56601416 illustrant le schéma de câblage de la batterie.
- 3 **Voir Figure 1.** Installez les câbles de batterie comme illustré et serrez les écrous sur les bornes de batterie.
- 4 Installez les gaines de la batterie et attachez-les solidement aux câbles de batterie à l'aide des attaches fournies.
- 5 Branchez le connecteur du bloc de batterie au connecteur de la machine (36) et fermez le couvercle du compartiment de batterie.

Pendant le remplacement des batteries ou du chargeur, veuillez contacter votre centre de service local agréé pour connaître les réglages corrects de la batterie, du chargeur et de la machine pour éviter tout dommage.

FIGURE 1

420 Ah, 20 Hr. Rate



## INSTALLATION DES BROSSES (SYSTÈME À DISQUES)

### ATTENTION !

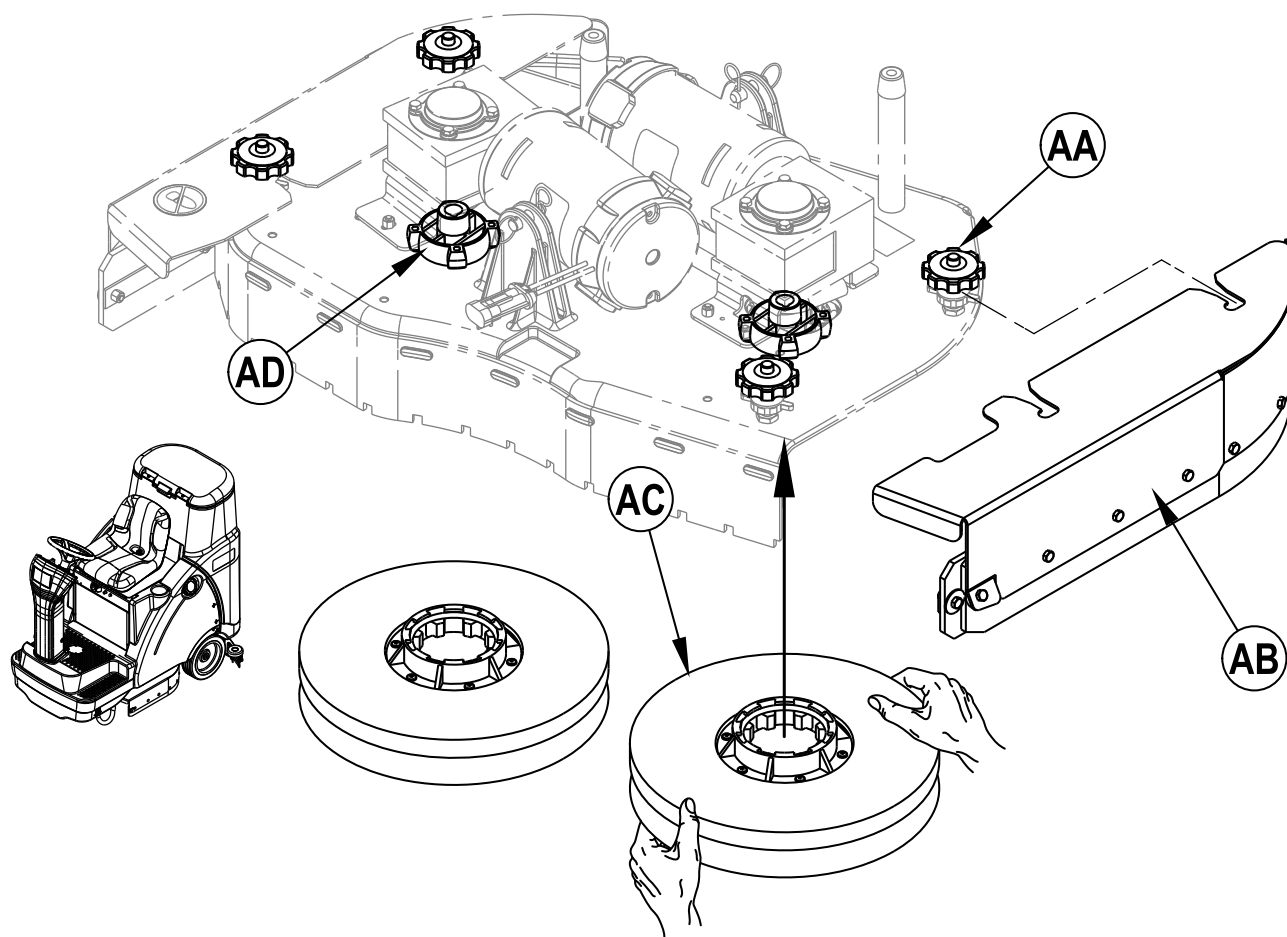
Tournez l'interrupteur principal en position d'arrêt (O) et enlevez la clé avant de remplacer les brosses et d'ouvrir un panneau d'accès.

- 1 Assurez-vous que le plateau de lavage est en position HAUTE. Assurez-vous que l'interrupteur principal (A) est en position d'arrêt (O).
- 2 **Voir Figure 2.** Retirez les deux bavettes latérales. **NOTE** : les bavettes sont maintenues en place par deux gros boutons (AA). Desserrez ces boutons et faites glisser les bavettes (AB) légèrement vers l'avant, puis retirez-les du plateau de lavage.
- 3 Installez un support de brosse ou un porte-tampon (AC) sous le plateau de lavage.
- 4 Alignez les encoches situées dans le cardan de la brosse avec les oreilles situées sur le cardan du moteur (AD).
- 5 Tirez la brosse vers le haut jusqu'à ce que le cardan se bloque.
- 6 Répétez les étapes 3, 4 et 5 pour installer le deuxième support de brosse ou porte-tampon.

#### Démontage :

- 1 Assurez-vous que le plateau de lavage (8) est en position HAUTE. Assurez-vous que l'interrupteur principal (A) est en position d'arrêt (O).
- 2 Enlevez les bavettes latérales.
- 3 Poussez sur les deux côtés du support de brosse ou du porte-tampon jusqu'à ce que les cardans soient relâchés.

FIGURE 2



## INSTALLATION DU TAMPON (SYSTÈME BOOST)

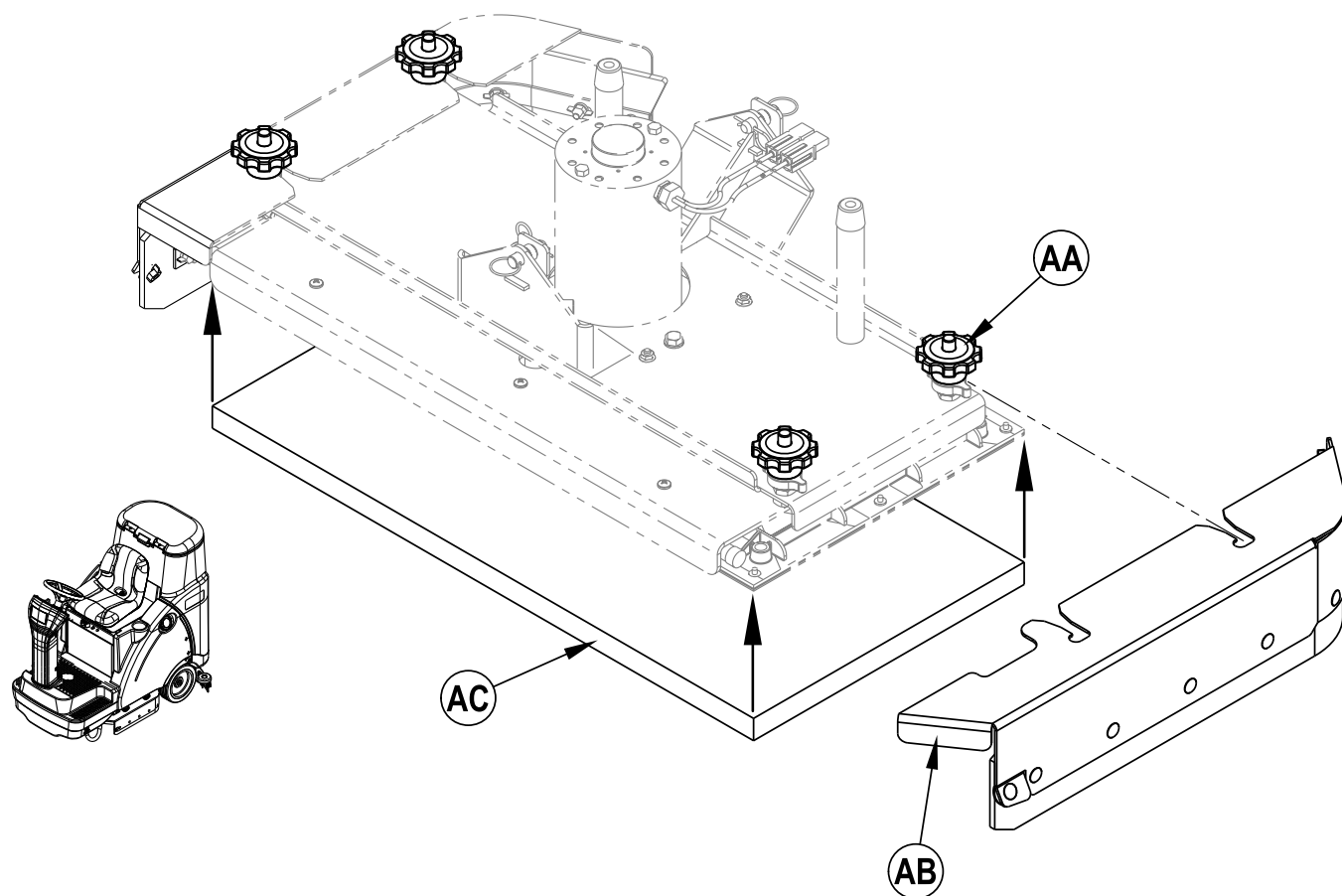
### ATTENTION !

Tournez l'interrupteur principal en position d'arrêt (O) et enlevez la clé avant de remplacer les brosses et d'ouvrir un panneau d'accès.

- 1 Assurez-vous que le plateau de lavage est en position HAUTE. Assurez-vous que l'interrupteur principal (A) est en position d'arrêt (O).
- 2 **Voir Figure 3.** Retirez une des bavettes latérales. **NOTE** : les bavettes sont maintenues en place par deux gros boutons (AA). Desserrez ces boutons et faites glisser la bavette (AB) légèrement vers l'avant, puis retirez-la du plateau de lavage.
- 3 Poussez un tampon (AC) sous les plateaux flexibles comme illustré.

**NOTE** : en raison de la conception de certains tampons, le tampon peut ne pas adhérer correctement au porte-tampon fixe quand il est poussé à la main. Dans ce cas, après avoir positionné le tampon sur la tête, descendez le plateau et faites fonctionner momentanément pour fixer correctement le tampon au porte-tampon. Cette opération est nécessaire uniquement si vous prévoyez de transporter la machine, après l'installation du tampon et avant l'utilisation, pour éviter que le tampon ne tombe.

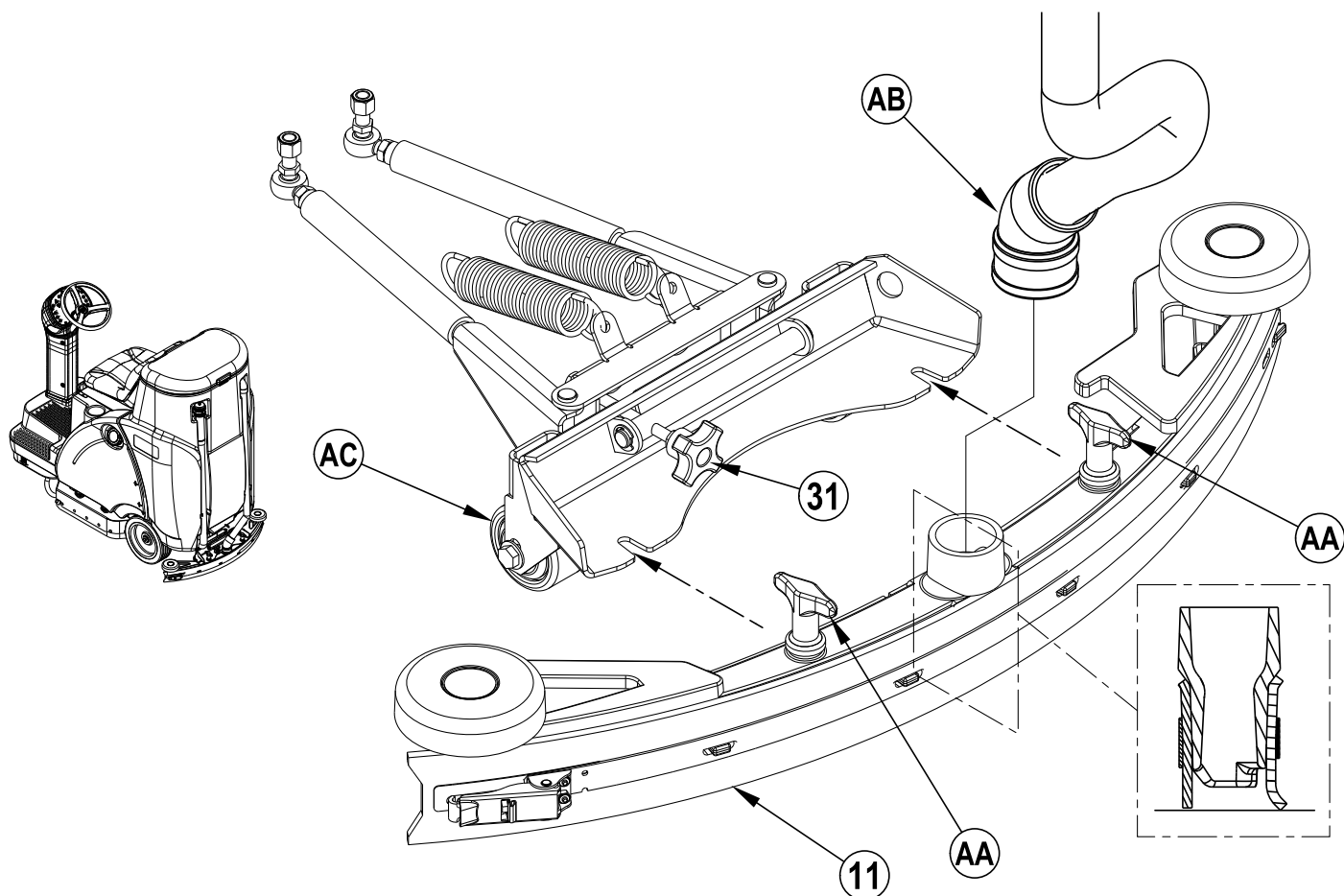
**FIGURE 3**



## INSTALLATION DE LA RACLETTE

- 1 Voir Figure 4. Faites glisser la raclette (11) sur le dispositif de fixation de la raclette et vissez les écrous à ailettes du support de la raclette (AA).
- 2 Raccordez le tuyau de récupération (AB) à l'entrée de la raclette.
- 3 Abaissez la raclette, faites avancer légèrement la machine et réglez l'inclinaison et la hauteur de la raclette à l'aide du bouton de réglage de l'inclinaison de la raclette (31) et de la roue de réglage de la hauteur de la raclette (AC) afin que la lame arrière de la raclette touche le sol de manière uniforme sur toute sa largeur et soit légèrement inclinée, comme illustré sur le schéma transversal de la raclette.

FIGURE 4



## REPLISSAGE DU RÉSERVOIR DE SOLUTION

Lisez l'étiquette du produit chimique et calculez la quantité correcte de produit que vous devez mélanger pour un réservoir ayant une contenance de 120 litres.

Ouvrez le bouchon de remplissage du réservoir de solution (35), puis remplissez-le d'eau à 1/3. Ajoutez le produit chimique de nettoyage. Ensuite, remplissez le réservoir jusqu'en haut. **NOTE** : les machines à détergent peuvent être utilisées de manière classique en mélangeant le détergent dans le réservoir ou en utilisant le système de détergent. Quand vous utilisez le système de distribution de détergent, ne mélangez pas le détergent dans le réservoir. Utilisez uniquement de l'eau plate.



## ATTENTION !

Utilisez uniquement des produits de nettoyage liquides, ininflammables et peu moussants, adaptés aux machines de nettoyage automatiques. La température de l'eau ne doit pas dépasser 55 degrés Celsius.

## PRÉPARATION ET UTILISATION DU SYSTÈME DE DÉTERGENT

### INSTRUCTIONS GÉNÉRALES :

Voir Figure 5. En appuyant et en relâchant l'interrupteur de détergent (S) pendant que le système de solution est activé, le système de détergent fait défiler les taux de détergent disponibles l'un après l'autre. Les résidus d'ancien détergent doivent être vidangés avant d'utiliser un détergent différent. **NOTE POUR L'ENTRETIEN** : déplacez la machine sur une bouche d'écoulement avant la vidange car une petite quantité de détergent s'écoulera lors de ce processus.

### Vidange lors du changement de produits chimiques :

- 1 Débranchez et retirez le bidon de détergent (13).
- 2 Placez l'interrupteur principal (A) en position de marche (I). Appuyez et maintenez enfoncés pendant 3 secondes l'interrupteur de contrôle de la solution (O) et l'interrupteur de contrôle du détergent (S). **NOTE** : une fois activé, le processus de vidange prend environ 10 secondes. En général, un seul cycle de vidange est suffisant pour purger le système.

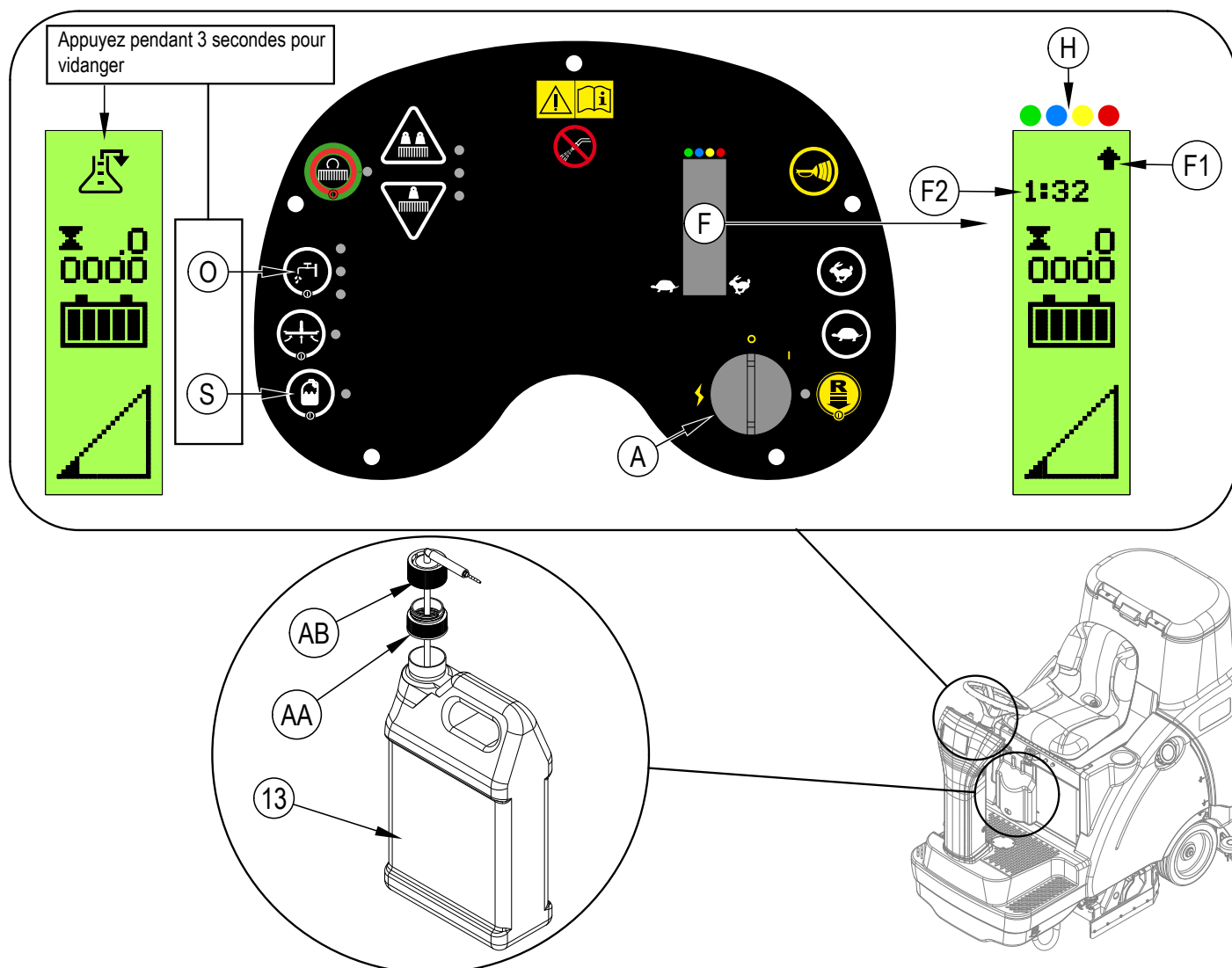
### Taux de détergent :

- 1 Le taux de détergent réglé par défaut à l'usine est 1:32. À chaque appui sur l'interrupteur de contrôle du détergent (S), la machine fait défiler les taux disponibles l'un après l'autre (1:32, 1:50, 1:64, 1:100, 1:128, 1:150, 1:200, 1:256, 1:300, 1:400). Si vous appuyez une fois de plus après le taux 1:400, le système de détergent s'arrête. L'indicateur de concentration du détergent (F1) s'allume sous le symbole de la concentration ROUGE (H) quand le taux 1:32 est sélectionné. La flèche se déplace ensuite vers la gauche quand vous augmentez le taux et arrive sous le symbole de concentration VERT (H) quand le taux est 1:400. Si la machine est mise hors tension et rallumée, le dernier réglage est rappelé.

### INSTRUCTIONS RELATIVES AU DÉTERGENT :

Un bidon de détergent (13) peut être installé derrière le couvercle d'accès au bidon de détergent (12) dans le compartiment de l'opérateur. Lorsque vous installez un bidon neuf, retirez le bouchon et placez le bidon dans le boîtier de détergent. Installez l'adaptateur (AA) et le bouchon (AB) comme illustré.

FIGURE 5



## UTILISATION DE LA MACHINE

### AVERTISSEMENT !

Assurez-vous de bien comprendre les commandes et leurs fonctions.

Évitez les arrêts soudains lorsque la machine se trouve sur des rampes ou des pentes. Évitez les virages serrés. Adoptez une vitesse réduite lorsque la machine est en descente. Ne nettoyez les sols que lorsque la machine est en descente.

#### Pour le lavage...

Respectez les instructions figurant dans la section « Préparation de la machine » du présent manuel.

- 1 **Voir Figure 6.** Réglez le siège de l'opérateur (1) si nécessaire en inclinant le siège et en utilisant le bouton de réglage du siège (16).
- 2 Placez l'interrupteur principal (A) en position de marche (I). Les voyants lumineux du panneau de commande s'allument. Observez l'indicateur de batterie (F4) avant de continuer.
- 3 Pour transporter la machine dans la zone de travail, appuyez tout d'abord sur l'interrupteur de marche avant / arrière (C) pour sélectionner la marche arrière si nécessaire. Ensuite, appuyez sur la pédale d'entraînement (3). Le mode de recul est indiqué par le voyant de recul (B) allumé en orange, qui s'accompagne d'une alarme de l'avertisseur sonore.
- 4 Appuyez et maintenez enfoncé l'interrupteur de contrôle de la solution (O) pour pré-humidifier le sol. La solution est distribuée tant que l'interrupteur est enfoncé. **NOTE** : de cette manière, vous n'abîmerez pas le sol quand vous commencerez à nettoyer avec des brosses sèches. Vous pouvez réaliser cette opération uniquement avant d'activer l'interrupteur de marche / arrêt du lavage (M).
- 5 Appuyez sur l'interrupteur de marche / arrêt du lavage (M). Le plateau de lavage et la raclette descendent automatiquement sur le sol. Les systèmes de lavage, d'aspiration, de solution et de détergent démarrent tous quand la pédale d'entraînement (3) est enfoncée. **NOTE** : si le système de détergent est éteint quand la machine est arrêtée, il restera éteint quand la machine sera remise en marche.  
La pression de lavage est réglée par défaut sur BASSE (voyant du bas de la pression de la brosse (J) allumé). Utilisez l'interrupteur d'augmentation de la pression de la brosse (K) et l'interrupteur de réduction de la pression de la brosse (I) pour commuter entre les modes de lavage FAIBLE, MOYEN et ÉLEVÉ. **NOTE** : le débit de solution peut être modifié indépendamment de la pression de lavage en appuyant sur l'interrupteur de contrôle de la solution (O). **NOTE** : les systèmes de lavage, de solution, d'aspiration et de détergent sont activés automatiquement quand l'interrupteur de marche / arrêt du lavage (M) est enfoncé. Pour arrêter ou réactiver le système d'aspiration, il suffit d'appuyer sur son interrupteur (Q) à tout moment pendant le lavage. Le système de solution peut être désactivé uniquement en faisant défiler tous les débits de solution jusqu'à ce qu'aucun voyant (N) ne soit allumé. Vous pouvez arrêter le système de lavage uniquement en appuyant sur l'interrupteur de marche / arrêt du lavage (M). Le système de détergent peut être arrêté uniquement en faisant défiler tous les taux de détergent jusqu'au dernier (1 :400) et en appuyant ensuite sur l'interrupteur de contrôle du détergent (S) une fois de plus. **NOTE** : lorsque la machine fonctionne en marche arrière, la raclette remonte automatiquement.
- 6 Faites progresser la laveuse en ligne droite à une vitesse de 4-5 km/h en veillant à ce que les passages se chevauchent sur 50-75 mm. Réglez la vitesse de la machine, la pression de lavage et le débit de solution quand nécessaire, en fonction de l'état du sol. **NOTE** : la vitesse maximale peut être modifiée en appuyant sur l'interrupteur d'accélération (E) ou l'interrupteur de ralentissement (D), la vitesse étant indiquée par l'indicateur de vitesse (F6).

### ATTENTION !

Pour éviter d'abîmer le sol, démarrez et arrêtez uniquement la fonction de lavage quand la machine est en mouvement.

- 7 Lorsque vous nettoyez, assurez-vous, après votre passage, qu'il ne reste plus d'eau sale sur le sol. Si vous remarquez des traînées d'eau derrière la machine, il se peut que cette dernière distribue trop de solution, que le réservoir de récupération soit plein ou que la raclette soit mal réglée.
- 8 Pour les sols extrêmement sales, il se peut qu'un seul passage ne suffise pas et que vous deviez adopter la technique des « deux passages ». Cette technique est fort semblable à la méthode habituelle. La seule différence réside dans le fait que, lors du premier passage, la raclette est en position relevée (appuyez sur le bouton de marche / arrêt de l'aspiration (Q) pour relever la raclette). La solution de lavage peut ainsi agir plus longtemps sur le sol. Lors du deuxième et dernier passage, la raclette est abaissée afin de ramasser la solution accumulée.
- 9 Le réservoir de récupération est doté d'un système de fermeture à flotteur (25) qui provoque un changement de pas du moteur d'aspiration. Si ce flotteur est activé, vous devez vider le réservoir de récupération. Quand le flotteur est activé, la machine ne ramasse plus l'eau.
- 10 Quand l'opérateur souhaite arrêter le lavage :  
Appuyez une fois sur l'interrupteur de marche / arrêt du lavage (M). De cette manière, les brosses de lavage et le débit de solution sont arrêtés automatiquement et le plateau de lavage est relevé. La raclette remonte après un court instant et l'aspiration s'arrête après un court instant (afin de pouvoir ramasser l'eau résiduelle sans devoir réactiver l'aspiration).
- 11 Conduisez la machine vers un « SITE DE DÉCHARGE » des eaux usées et videz le réservoir de récupération. Pour le vider, tirez le tuyau de vidange du réservoir de récupération (28) de son dispositif de rangement arrière, puis dévissez le bouchon (maintenez l'extrémité du tuyau au-dessus du niveau d'eau du réservoir afin d'éviter tout déversement accidentel des eaux usées). Inspectez et videz le panier-filtre (26) dans le réservoir de récupération. Remplissez à nouveau le réservoir de solution et poursuivez le lavage.

**NOTE** : assurez-vous que le couvercle du réservoir de récupération (24) et le bouchon du tuyau de vidange du réservoir de récupération (28) sont bien en place. Dans le cas contraire, la machine ne ramassera pas l'eau correctement.

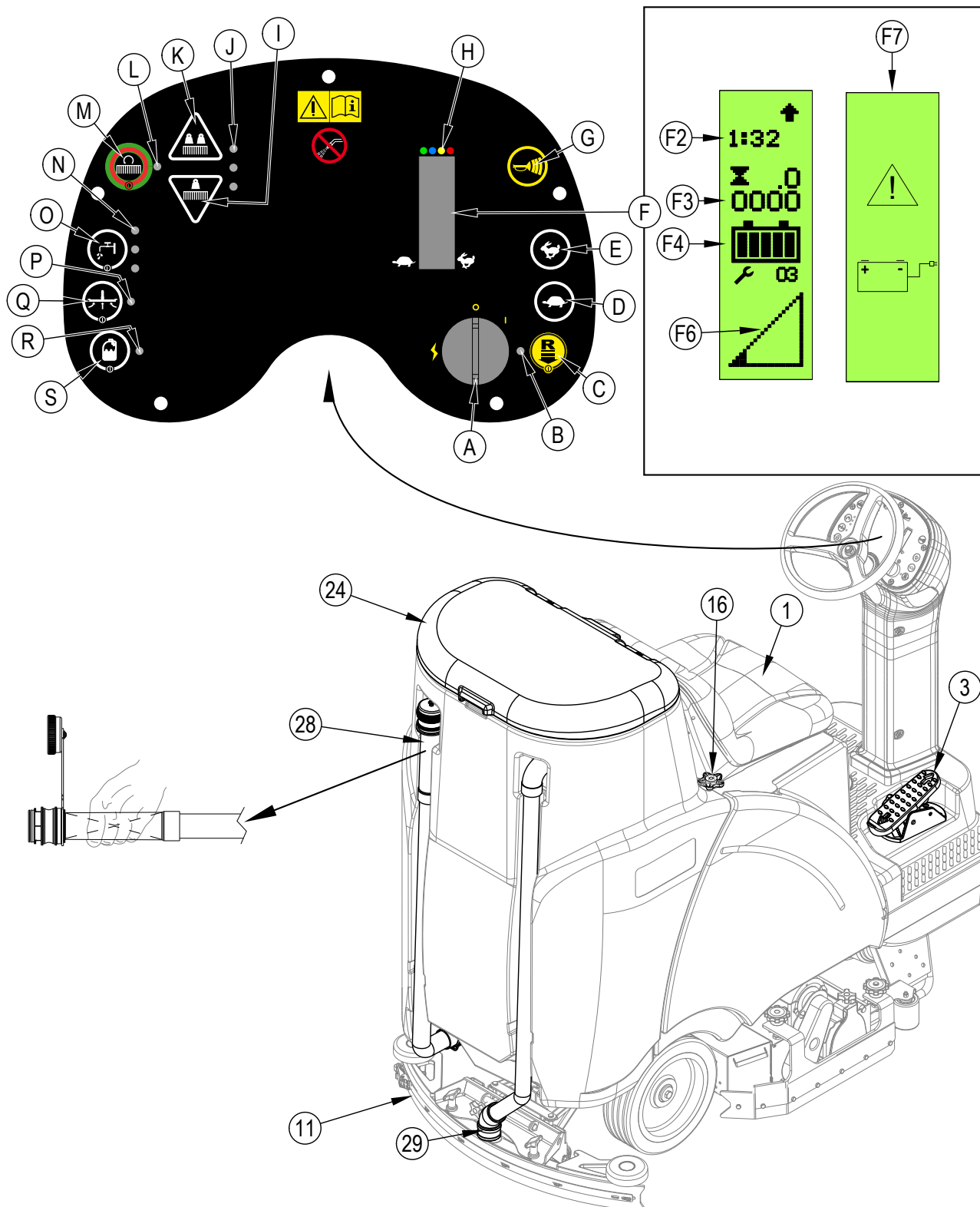
Lorsque les batteries doivent être rechargées, le voyant de batterie faible (F7) s'allume. Ensuite, les brosses de lavage et le débit de solution s'arrêtent et le plateau de lavage remonte. La raclette remonte après un court instant et l'aspiration s'arrête après un court instant. Transportez la machine vers une zone de maintenance et rechargez les batteries conformément aux instructions de la section Batterie de ce manuel.

## UTILISATION DE LA MANCHE HORS PASSAGE

Procédure à suivre afin d'équiper la machine des accessoires optionnels pour l'utilisation de la manche hors passage.

- 1 **Voir Figure 6.** Débranchez le tuyau de récupération (29) de la raclette (11). Branchez le tuyau du kit de la manche au tuyau de récupération.
- 2 Fixez au tuyau les accessoires adaptés au ramassage humide. (Clarke propose un kit de manche en option, réf. 56601087).
- 3 Tournez l'interrupteur principal (A) en position de marche et appuyez sur l'interrupteur de marche / arrêt d'aspiration (Q). **NOTE :** pour que le(s) moteur(s) d'aspiration fonctionnent, l'opérateur ne peut pas être assis sur le siège. Le(s) moteur(s) d'aspiration fonctionne(nt) en continu jusqu'à un nouvel appui sur l'interrupteur. Le flotteur arrête le débit dans le réservoir de récupération quand il est activé.

**FIGURE 6**



## APRÈS L'UTILISATION

- 1 Lorsque vous avez terminé de nettoyer, appuyez sur l'interrupteur de marche / arrêt du lavage (**M**). De cette manière, tous les systèmes de la machine (brosse, raclette, aspiration, solution et détergent) sont automatiquement levés, rétractés et arrêtés. Ensuite, conduisez la machine dans une zone de maintenance où un technicien procédera à son entretien quotidien et effectuera les éventuelles réparations.
- 2 Pour vider le réservoir de solution :  
Retirez le tuyau de vidange du réservoir de solution (**2**) de sa position de rangement. Dirigez le tuyau de vidange vers un « SITE DE DÉCHARGE » désigné et enlevez le bouchon. Rincez le réservoir à l'eau claire.
- 3 Pour vider le réservoir de récupération, tirez le tuyau de vidange du réservoir (**28**) de son dispositif de rangement. Dirigez le tuyau de vidange vers un « SITE DE DÉCHARGE » désigné et dévissez le bouchon (maintenez l'extrémité du tuyau au-dessus du niveau d'eau du réservoir afin d'éviter tout déversement accidentel des eaux usées). Inspectez et videz le panier-filtre (**26**) dans le réservoir de récupération. Rincez le réservoir à l'eau claire.
- 4 Enlevez les supports de brosses ou les porte-tampons. Rincez les brosses ou les tampons à l'eau chaude et suspendez-les pour qu'ils sèchent.
- 5 Retirez la raclette et rincez-la à l'eau chaude. Ouvrez le couvercle du réservoir de récupération et suspendez la raclette au réservoir à l'aide du crochet de rangement de la raclette (**27**).
- 6 Consultez le programme d'entretien ci-dessous et, si nécessaire, effectuez les opérations requises avant de ranger la machine.
- 7 Rangez la machine dans un endroit sec et propre à l'intérieur d'un bâtiment. Maintenez-la à l'abri du gel. Laissez les réservoirs ouverts pour les aérer.
- 8 Placez l'interrupteur principal (**A**) en position d'arrêt (O) et enlevez la clé.

## PROGRAMME D'ENTRETIEN

ÉLÉMENT	Tous les jours	Chaque semaine	Tous les mois	Tous les ans
Chargement des batteries	X			
Vérification / nettoyage des réservoirs et tuyaux	X			
Vérification / lavage / rotation des brosses / tampons	X			
Vérification / lavage de la raclette	X			
Vérification / nettoyage du flotteur du système de fermeture de l'aspiration	X			
Vidage / nettoyage du panier-filtre dans le réservoir de récupération	X			
Vérification du niveau d'eau dans chaque cellule de batterie		X		
Inspection des bavettes du dispositif de lavage		X		
Inspection et lavage du filtre de solution		X		
Vidange du système de détergent		X		
Graissage de la machine			X	
*Vérification des balais de carbone				X

\* Demandez à un centre de service agréé Clarke de vérifier les balais de carbone du moteur d'aspiration une fois par an ou toutes les 300 heures de fonctionnement. Les balais de carbone des moteurs des brosses et du moteur d'entraînement doivent être vérifiés chaque année ou toutes les 500 heures de fonctionnement.

- Les isolateurs sont prévus pour durer 250 à 1 000 heures en fonction de l'application.
- Remplacez les isolateurs inférieurs toutes les 250 heures dans la limite d'un an.

## LUBRIFICATION DE LA MACHINE – FIGURE 7

Emplacement des raccords de graissage (ou appliquez de la graisse sur) (**AA**) :

- La chaîne de direction
- Les filetages des boutons de réglage de l'inclinaison de la raclette
- Les boutons de réglage de la hauteur des bavettes latérales

Une fois par mois, appliquez une huile légère pour machines sur (**BB**) :

- Les points de pivotement généraux de la tringlerie de la raclette et du plateau de lavage

## FREIN ÉLECTROMAGNÉTIQUE

Voir Figure 8. La roue motrice (**4**) est dotée d'un frein électromagnétique intégré qui est activé dès que l'interrupteur principal (**A**) est en position d'arrêt ou que la pédale d'entraînement (**3**) est en position neutre. Au besoin, vous pouvez contourner manuellement ce frein en insérant un tournevis grand ou moyen derrière le poussoir (**AA**) comme illustré. Vous devez procéder ainsi uniquement si vous avez besoin de pousser ou de tirer la machine.

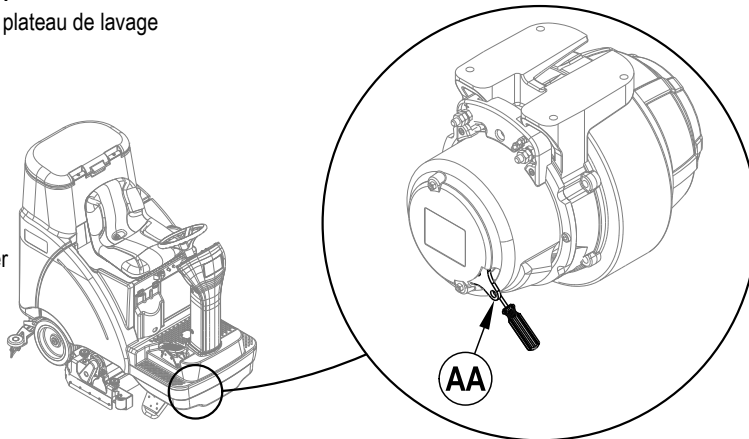
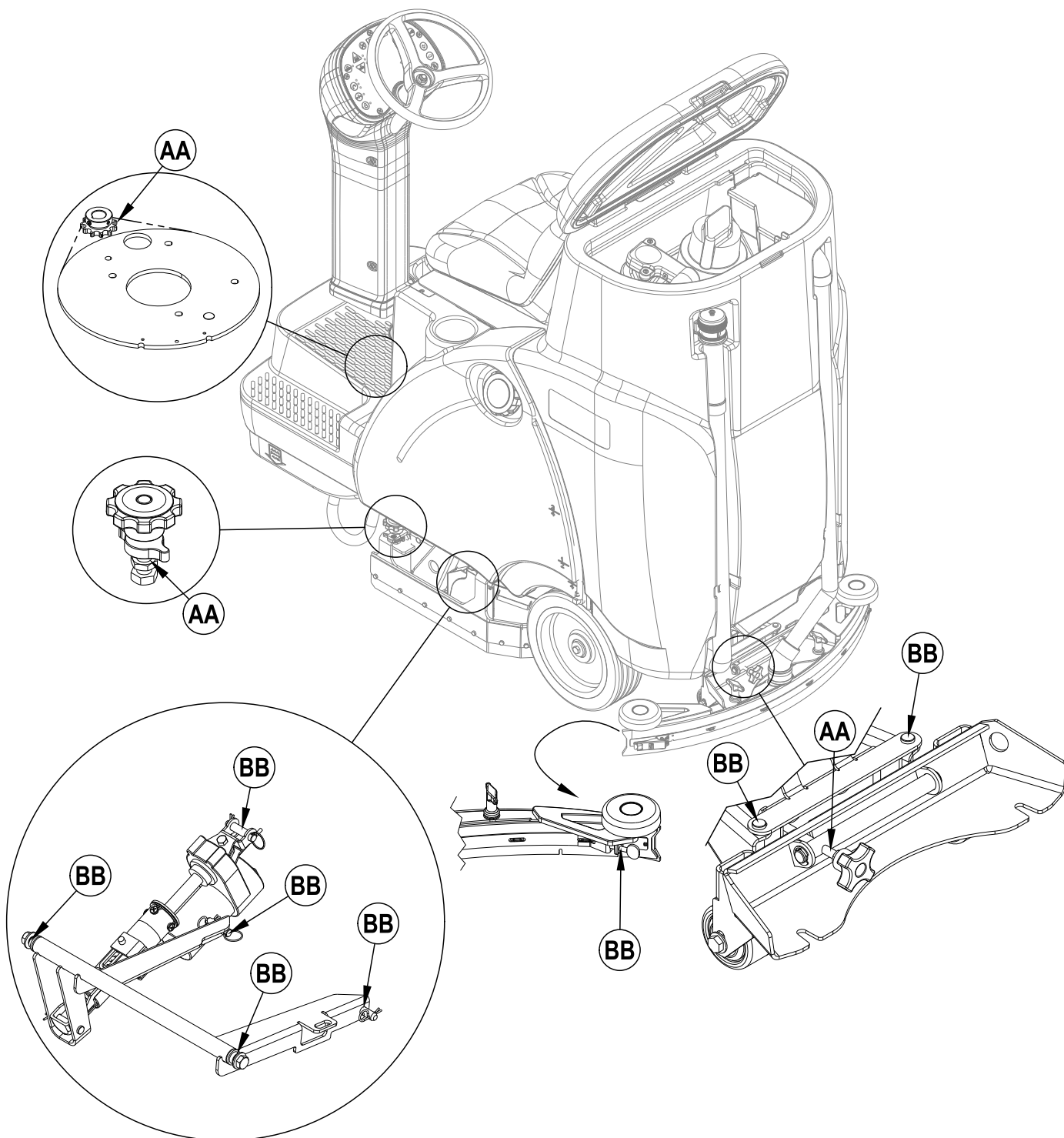


FIGURE 8

FIGURE 7



## CHARGEMENT DES BATTERIES HUMIDES

Chargez les batteries à chaque utilisation de la machine ou lorsque l'indicateur de batterie (F4) indique qu'elles ne sont pas complètement chargées.



### AVERTISSEMENT !

Ne remplissez pas les batteries avant de les charger. Assurez-vous que les plaques sont simplement couvertes.

Chargez les batteries dans une zone bien aérée. Si l'acide de batterie entre en contact avec votre peau, rincez la zone contaminée à l'eau pendant 5 minutes et consultez un médecin.

Ne fumez pas lorsque vous procédez à l'entretien des batteries.

#### Lors de l'entretien des batteries...

- \* Retirez tous vos bijoux.
- \* Ne fumez pas.
- \* Portez des lunettes de protection, ainsi qu'un tablier et des gants en caoutchouc.
- \* Travaillez dans une zone bien aérée.
- \* Veillez à ce que les outils ne touchent pas plusieurs bornes de batterie en même temps.
- \* Débranchez TOUJOURS le câble de polarité négative (terre) en premier lors du remplacement des batteries afin d'éviter des étincelles.
- \* Branchez TOUJOURS le câble négatif en dernier lors de l'installation des batteries.

#### Si votre machine est livrée avec un chargeur de batterie intégré, procédez comme suit :

Placez l'interrupteur principal (A) en position d'arrêt. Ouvrez le compartiment de la batterie (10) pour assurer une aération correcte. Déroulez le cordon d'alimentation sur le côté du chargeur intégré et branchez-le à une prise correctement reliée à la terre. Consultez le manuel du fabricant pour obtenir des consignes plus détaillées sur l'utilisation.

#### Si votre machine est livrée sans chargeur de batterie intégré, procédez comme suit :

Ouvrez le compartiment de la batterie (10) et réglez la tige de support du siège (34). Débranchez les batteries de la machine et enfoncez le connecteur du chargeur dans le connecteur de la batterie de la machine (36). Suivez les instructions figurant sur le chargeur de batteries. **NOTE POUR L'ENTRETIEN** : assurez-vous de brancher le chargeur de batteries au connecteur qui se fixe aux batteries.



### ATTENTION !

Pour éviter d'endommager le sol, essuyez l'eau et l'acide situés au sommet des batteries après un chargement. Un chargement insuffisant ou excessif réduira la durée de vie de la batterie et limitera ses performances. Assurez-vous de SUIVRE ATTENTIVEMENT LES INSTRUCTIONS DE CHARGEMENT !

## VÉRIFICATION DU NIVEAU D'EAU DE LA BATTERIE

Vérifiez le niveau d'eau des batteries au moins une fois par semaine.

Retirez les bouchons à évent et vérifiez le niveau d'eau dans chaque cellule de batterie. Utilisez un distributeur rempli d'eau distillée ou déminéralisée (disponible dans la plupart des magasins de pièces automobiles) pour remplir chaque cellule jusqu'au niveau indicateur (ou 10 mm au-dessus du sommet des séparateurs). NE remplissez PAS trop les batteries !



### ATTENTION !

De l'acide peut être projeté sur le sol si les batteries sont trop remplies.

Serrez les bouchons à évent. Nettoyez les sommets des batteries avec une solution de bicarbonate de soude et d'eau (2 cuillères à soupe de bicarbonate de soude pour 1 litre d'eau).

## CHARGEMENT DES BATTERIES SÈCHES/AGM (VRLA)

Chargez les batteries à chaque utilisation de la machine ou lorsque l'indicateur de batterie (F4) indique qu'elles ne sont pas complètement chargées.



### AVERTISSEMENT !

Chargez les batteries dans une zone bien aérée. Si l'acide de batterie entre en contact avec votre peau, rincez la zone contaminée à l'eau pendant 5 minutes et consultez un médecin.

Ne fumez pas lorsque vous procédez à l'entretien des batteries.

#### Lors de l'entretien des batteries...

- \* Retirez tous vos bijoux.
- \* Ne fumez pas.
- \* Portez des lunettes de protection, ainsi qu'un tablier et des gants en caoutchouc.
- \* Travaillez dans une zone bien aérée.
- \* Veillez à ce que les outils ne touchent pas plusieurs bornes de batterie en même temps.
- \* Débranchez TOUJOURS le câble de polarité négative (terre) en premier lors du remplacement des batteries afin d'éviter des étincelles.
- \* Branchez TOUJOURS le câble négatif en dernier lors de l'installation des batteries.



### ATTENTION !

La batterie au plomb-acide à régulation par soupape (VRLA) vous offrira des performances et une durée de vie supérieures UNIQUEMENT SI VOUS LA RECHARGEZ CORRECTEMENT ! Un chargement insuffisant ou excessif réduira la durée de vie de la batterie et limitera ses performances. Assurez-vous de SUIVRE ATTENTIVEMENT LES INSTRUCTIONS DE CHARGEMENT ! N'ESSAYEZ PAS D'OUVRIR CETTE BATTERIE ! Si vous ouvrez une batterie VRLA, elle perdra sa pression et les plaques seront contaminées par l'oxygène. LA GARANTIE SERA ANNULÉE SI LA BATTERIE EST OUVERTE.

#### Si votre machine est livrée avec un chargeur de batterie intégré, procédez comme suit :

Placez l'interrupteur principal (A) en position d'arrêt. Ouvrez le compartiment de la batterie (10) pour assurer une aération correcte. Déroulez le cordon d'alimentation sur le côté du chargeur intégré et branchez-le à une prise correctement reliée à la terre. Consultez le manuel du fabricant pour obtenir des consignes plus détaillées sur l'utilisation.

#### Si votre machine est livrée sans chargeur de batterie intégré, procédez comme suit :

Ouvrez le compartiment de la batterie (10) et réglez la tige de support du siège (34). Débranchez les batteries de la machine et enfoncez le connecteur du chargeur dans le connecteur de la batterie de la machine (36). Suivez les instructions figurant sur le chargeur de batteries. **NOTE POUR L'ENTRETIEN** : assurez-vous de brancher le chargeur de batteries au connecteur qui se fixe aux batteries.

**IMPORTANT** : assurez-vous d'utiliser un chargeur adapté aux batteries à cellule sèche. Utilisez uniquement des chargeurs « à tension régulée » ou « à tension limitée ». N'utilisez JAMAIS des chargeurs standards à courant constant ou à courant alternatif. Il est recommandé d'utiliser un chargeur à détection de température, car les réglages manuels manquent de précision et risquent d'endommager les batteries VRLA.

## ENTRETIEN DE LA RACLETTE

Si la raclette ne ramasse pas toute l'eau ou laisse des traces derrière elle, il est possible que ses lames soient sales ou endommagées. Enlevez la raclette, rincez-la sous l'eau chaude et vérifiez les lames. Si les lames sont abîmées, tordues ou usées, remplacez-les ou retournez-les.

### Pour retourner ou remplacer la lame arrière de la raclette...

- 1 Voir Figure 9. Soulevez la raclette du sol, puis déverrouillez le loquet de démontage de la lame arrière de la raclette (32).
- 2 Retirez la sangle de tension (AA).
- 3 Faites glisser la lame arrière hors des goupilles de positionnement.
- 4 Cette lame de raclette présente 4 chants de travail. Tournez la lame de sorte qu'un chant propre et non endommagé pointe vers l'avant de la machine. Si les 4 chants sont très abîmés, tordus ou usés, remplacez la lame.
- 5 Installez la lame en suivant la procédure dans l'ordre inverse et réglez l'inclinaison de la raclette (31).

### Pour retourner ou remplacer la lame avant de la raclette...

- 1 Soulevez la raclette du sol et desserrez les (2) écrous à ailettes (AB) situés sur celle-ci, puis enlevez la raclette de son support.
- 2 Desserrez l'écrou à ailettes de démontage de la lame avant de raclette (33), puis enlevez la sangle de tension (AC) et la lame.
- 3 Cette lame de raclette présente 4 chants de travail. Tournez la lame de sorte qu'un chant propre et non endommagé pointe vers l'avant de la machine. Si les 4 chants sont très abîmés, tordus ou usés, remplacez la lame.
- 4 Installez la lame en suivant la procédure dans l'ordre inverse et réglez l'inclinaison de la raclette.

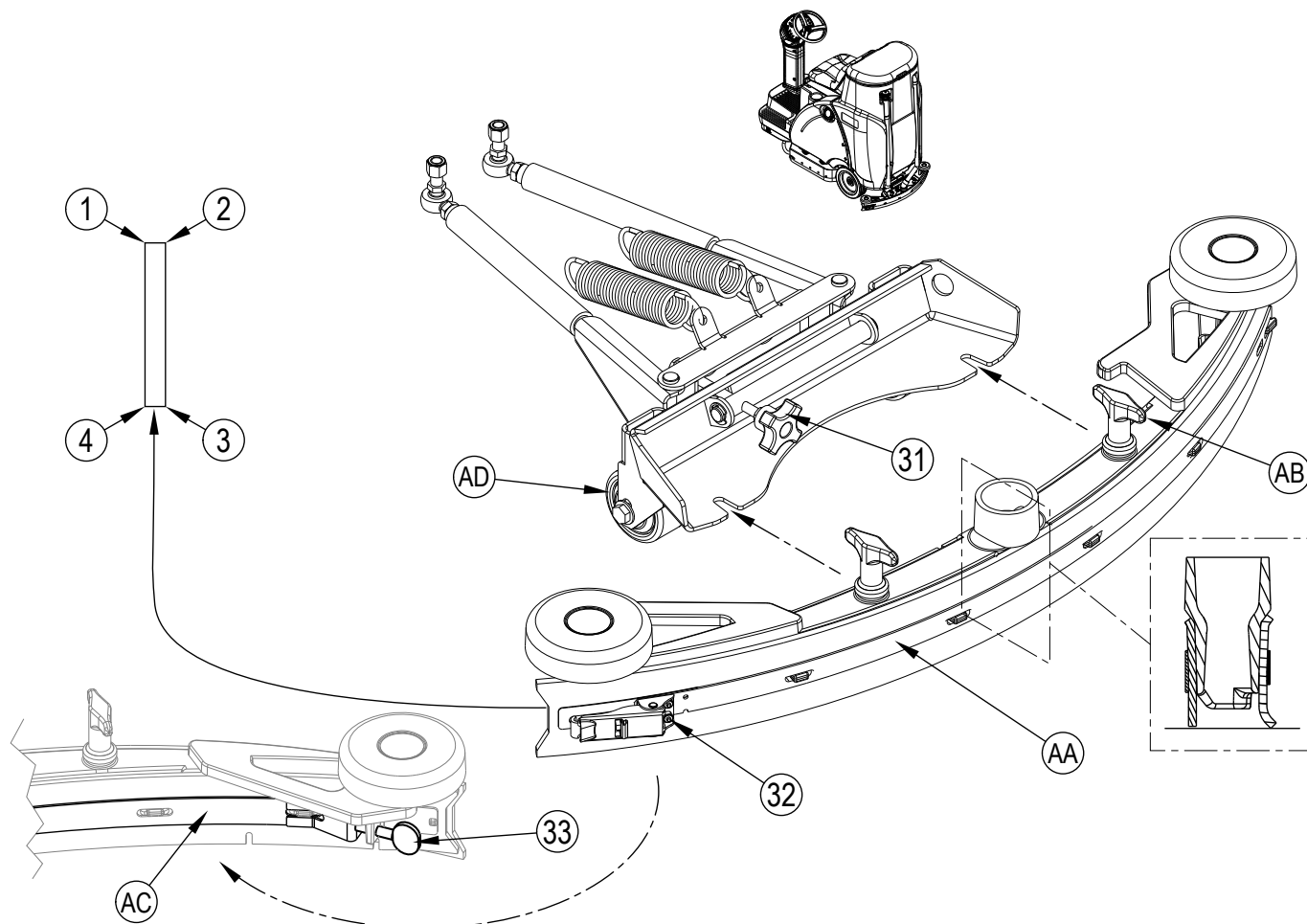
## RÉGLAGE DE LA RACLETTE

La raclette présente deux niveaux de réglage : l'inclinaison et la hauteur.

L'inclinaison de la raclette doit être réglée à chaque fois qu'une lame est retournée ou remplacée, ou si le sol n'est pas sec après le passage de la raclette.

- 1 Garez la machine sur une surface plane et uniforme, puis abaissez la raclette. Faites ensuite avancer la machine jusqu'à ce que les lames de la raclette se retournent vers l'arrière.
- 2 Réglez l'inclinaison et la hauteur de la raclette à l'aide du bouton de réglage de l'inclinaison de la raclette (31) et de la roue de réglage de la hauteur de la raclette (AD) afin que la lame arrière de la raclette touche le sol de manière uniforme sur toute sa largeur et qu'elle soit légèrement inclinée, comme illustré sur le schéma transversal de la raclette.

FIGURE 9



## ENTRETIEN DE LA BAVETTE LATÉRALE

Les bavettes latérales permettent de canaliser les eaux usées vers la raclette, permettant de contenir l'eau dans le chemin de la machine. Il est normal que les lames s'abîment avec le temps. L'opérateur remarquera alors qu'un peu d'eau s'échappe sous les bavettes latérales. La hauteur peut être facilement réglée. Il est ainsi possible d'abaisser les lames de sorte que toute l'eau soit ramassée par la raclette.

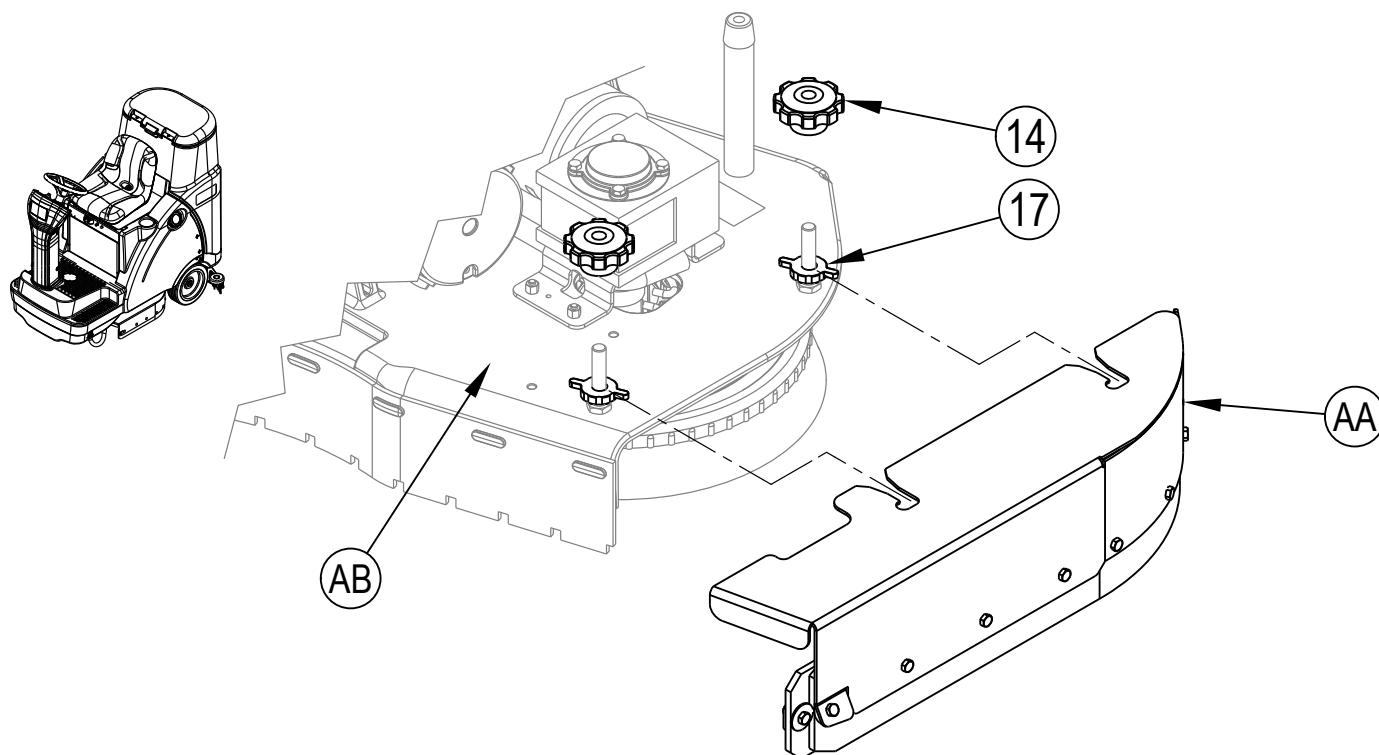
**Pour retourner ou remplacer la (les) bavette(s) latérale(s) du système de lavage.**

- 1 Voir Figure 10. Desserrez les (2) boutons de démontage des bavettes du plateau (14) (2 de chaque côté) et tirez les bavettes (AA) légèrement vers l'avant (systèmes à disque et BOOST uniquement) et retirez-les du plateau de lavage.
- 2 Enlevez tout le matériel qui fixe les lames aux logements des bavettes.
- 3 Les bavettes latérales ont 2 chants de travail. Retournez les bavettes afin qu'un chant propre et non endommagé soit tourné vers l'intérieur. Si les bavettes sont abîmées, tordues ou usées à un tel point qu'il s'avère impossible de les régler, remplacez-les par groupe.
- 4 Remplacez les logements des bavettes sur la machine et réglez la hauteur de la bavette afin qu'elle soit en contact correct avec le sol lorsque le plateau de lavage est en position de lavage.

## RÉGLAGE DE LA HAUTEUR DE LA BAVETTE LATÉRALE

- 1 Voir Figure 10. Les goujons filetés qui maintiennent les boutons des logements des bavettes latérales sont dotés de boutons de réglage de la hauteur de la bavette du plateau (17) qui permettent de la relever ou de l'abaisser pour compenser l'usure des lames.
- 2 Pour régler, enlevez les bavettes (AA) du plateau de lavage (AB) afin d'accéder aux boutons de réglage de la hauteur de la bavette du plateau (17). Astuce de réglage : les boutons de démontage de la bavette du plateau (14) peuvent être desserrés en laissant les bavettes en place. Pour tourner les boutons de réglage de la hauteur de la bavette du plateau (17), passez les mains sous le logement des bavettes.
- 3 Tournez les boutons de réglage de la hauteur de la bavette du plateau (17) (vers le haut ou le bas) jusqu'à ce que les bavettes se courbent suffisamment pendant le lavage afin que toute l'eau reste entre les bavettes. **NOTE** : procédez par petits réglages afin que le travail des bavettes soit correct. N'abaissez pas trop les bavettes. En effet, si elles sont trop courbées, les lames risquent de s'user prématurément.

FIGURE 10



Disque illustré. Procédure identique pour BOOST.

## DÉPANNAGE GÉNÉRAL DE LA MACHINE

Problème	Cause possible	Solution
Mauvaise récupération de l'eau	Lames de raclette usées ou tordues	Retourner ou remplacer
	Raclette (11) mal réglée	Régler les lames de telle sorte qu'elles touchent le sol de manière uniforme sur toute leur largeur
	Réservoir de récupération plein	Vider le réservoir de récupération
	Fuite du tuyau de vidange du réservoir de récupération (28)	Serrer le bouchon du tuyau de vidange ou le remplacer
	Fuite au niveau du joint du couvercle du réservoir de récupération (24)	Remplacer le joint / Repositionner le couvercle correctement.
	Débris coincés dans la raclette (11)	Nettoyer la raclette
	Tuyau de récupération (29) colmaté	Enlever les débris
	Utilisation d'une quantité trop importante de solution	Régler le débit de solution sur le panneau de commande
Mauvaises performances de lavage	Brosse ou tampon usé(e)	Retourner ou remplacer les brosses
	Mauvais type de brosse ou de tampon	Consulter Clarke
	Agent chimique inadapté	Consulter Clarke
	Déplacement trop rapide de la machine	Ralentir
	Utilisation d'une quantité de solution trop faible	Augmenter le débit de solution sur le panneau de commande
Débit de solution incorrect ou inexistant	Réservoir de solution vide	Remplir le réservoir de solution
	Conduites, vannes ou filtre de solution (20) colmatés	Rincer les conduites et nettoyer le filtre de solution
	Vanne d'arrêt de la solution (21) fermée	Ouvrir la vanne d'arrêt de la solution
	Électrovanne de la solution (19)	Nettoyer ou remplacer l'électrovanne
La machine ne se met pas sous tension	Connecteur de batterie (36) débranché	Rebrancher les connecteurs de batterie
	Interrupteur de sécurité du siège de l'opérateur	Vérifier les circuits éventuellement ouverts et les remplacer
	Contrôleur principal du système	Vérifier les codes d'erreur <b>(contacter un centre de service agréé Clarke)</b>
	Disjoncteur de 10 A (6) déclenché	Vérifier la présence d'un court-circuit et réinitialiser
Pas d'entraînement avance / recul des roues	Arrêt d'urgence (7) déclenché	Réinitialiser l'interrupteur d'arrêt d'urgence
	Contrôleur de vitesse du système d'entraînement	Vérifier les codes d'erreur <b>(contacter un centre de service agréé Clarke)</b>
	Disjoncteur de 70 A (5) déclenché	Vérifier une éventuelle surcharge du moteur d'entraînement
Aucun débit de détergent	Bidon de détergent (13) vide	Remplir le bidon de détergent
	Conduite de débit de détergent tordue ou colmatée	Vidanger le système et redresser les conduites pour éliminer les torsions
	Pompe à détergent	Vérifier la pompe et les conduites (il est possible qu'un amorçage soit nécessaire)

**SPÉCIFICATIONS TECHNIQUES (telles qu'installées et testées sur l'unité)**

Modèle		Focus II 28 D	Focus II 28 B	Focus II 34 D
		Focus II 28 D OBC	Focus II 28 B OBC	Focus II 34 D OBC
N° de modèle		56114000	56114003	56114002
		56114010	56114009	56114001
Tension, batteries	V	24V	24V	24V
Capacité de la batterie	Ah	238	238	238
Niveau de protection		IPX3	IPX3	IPX3
Niveau de pression sonore IEC 60335-2-72 : 2002 Modif. 1:2005, ISO 11201	dB(A)	68,3dB LpA, 3dB KpA	68,6dB LpA, 3dB KpA	68,3dB LpA, 3dB KpA
Poids brut	livres/kg	1 328/602	1 371/622	1 328/602
Poids à vide	livres/kg	547/248	590/267	547/248
Charge de roue maximum au sol (avant centre)	psi / N/mm <sup>2</sup>	152 / 1,05	152 / 1,05	152 / 1,05
Charge de roue maximum au sol (arrière droit)	psi / N/mm <sup>2</sup>	193 / 1,33	193 / 1,33	193 / 1,33
Charge de roue maximum au sol (arrière gauche)	psi / N/mm <sup>2</sup>	154 / 1,06	154 / 1,06	154 / 1,06
Vibrations au niveau des commandes manuelles (ISO 5349-1)	m/s <sup>2</sup>	0,181	0,386	0,181
Vibrations au niveau du siège (EN 1032)	m/s <sup>2</sup>	0,014	0,132	0,014
Transport en pente		12,5 % (7,1°)	12,5 % (7,1°)	12,5 % (7,1°)
Nettoyage en pente		7,9 % (4,5°)	7,9 % (4,5°)	7,9 % (4,5°)

OBC = Chargeur intégré (Équipement : Focus II 28 D OBC)

**Composition des matériaux et recyclabilité**

Type	% du poids de la machine	% recyclable
Aluminium	5 %	100 %
Système électrique / moteurs électriques / moteurs – divers	19 %	28 %
Métaux ferreux	35 %	100 %
Faisceaux / câbles	4 %	81 %
Liquides	0 %	0 %
Plastique – non recyclable	9 %	0 %
Plastique – recyclable	2 %	100 %
Polyéthylène	26 %	92 %
Caoutchouc	1 %	29 %







**Clarke®**

14600 21st Avenue North  
Plymouth, MN 55447-3408

[www.clarkeus.com](http://www.clarkeus.com)

Phone: 800-253-0367

Fax: 800-825-2753

©2014 Nilfisk-Advance, Inc.

---

**A Nilfisk-Advance Brand**