



Electronic Service Manuals

This electronic document is provided as a service to our customers. We do not create the contents of the information contained in this document. Should you have detailed questions pertaining to the information contained in this document, you may contact Michco, or the manufacturer which provided the original information in this electronic deliverable. Michco's only part in this electronic deliverable was the electronic assembly process. By providing this manual on line we are not guaranteeing parts availability.

You may contact Michco through the following methods:

Phone (517) 484-9312 or (800) 331-3339

2011 N. High St. -- Lansing, Michigan -- 48906

Fax: (517) 484-9836

Email: CustServe@Michco.com

Web site: www.Michco.Com

Parts Web site: www.FloorMachineParts.Com

Order Parts on Line at:

www.FloorMachineParts.Com

Directly to Parts & Service:

By Email: **Shop@Michco.com**

By Fax: (517) 702-2041

By Voice: Use numbers above.

Serving the Cleaning Industry Since 1922

Notice: All copyrighted material remains property of original owners, all trademarks are property of respective owners. Manuals are subject to Manufacturer's reproduction limitations. Originals or reproductions were provided by manufacturers through a request. We make no warranty as to the correctness of information provided in this document and you assume all risk. By placing these manuals on line we are not declaring our corporation to be an manufacturer authorized dealer or provider, please check our web site for authorized manufacturers we represent.

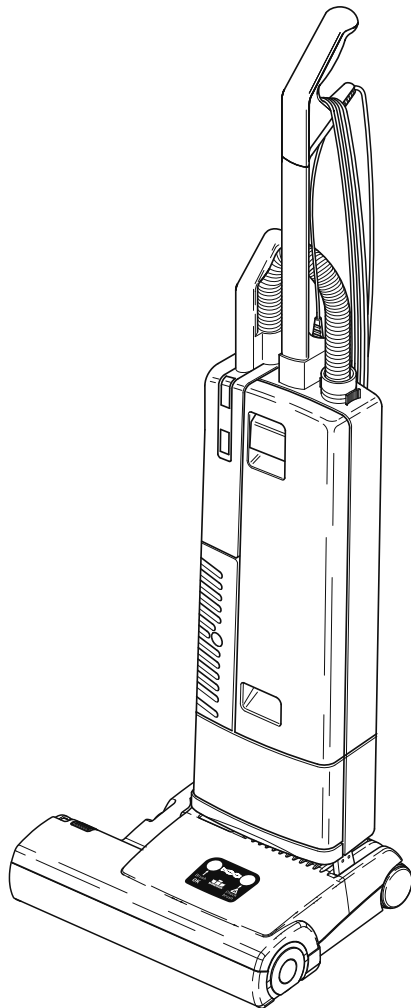
VersamaticPlus 14 & 18 240V



Vacuum Operating Instructions (ENG)

MODEL: 1.012-058.0
VSP14IA

1.012-054.0
VSP18IA



From Serial No. # _____

If Serial Number not listed,
Contact Manufacturer



86404590 A 08/31/15

Machine Data Label

Model: _____

Date of Purchase: _____

Serial Number: _____

Dealer: _____

Address: _____

Phone Number: _____

Sales Representative: _____

Warranty Registration

Thank you for purchasing a Kärcher North America product. Warranty registration is quick and easy. Your registration will allow us to serve you better over the lifetime of the product.

To register your product go to :

<http://warranty.karcherna.com/>

For customer assistance:

1-800-444-7654



Machine Data Label 2
Table of Contents 3
How To Use This Manual 4

Safety

IMPORTANT SAFETY INSTRUCTIONS 5
GROUNDING INSTRUCTIONS 7

Operations

Components 8
Assembling The Vacuum Cleaner 9
Brush Controller 10
Filter Level Indicator 10
Swivel Neck Latch 10

Maintenance

Changing The Brush Strip 11
Changing The Paper Bag 11
Changing The Motor Filter 11
Changing Exhaust Filter 12
Clearing Blockages 12
Replacing The Printed Circuit Board 13
Replacing Vacuum Motor 13
Changing The Brush Roller 14
Replacing The Brush Roller Pulley 14
Replacing The Swivel Neck 14
Removing The Swivel Neck Cover 15
Changing The Electronic Controller 15
Replacing the Foot Pedal 15
Troubleshooting 16
Technical Data VSP 14 (VSP 18) 16

Parts List

Tools, Bags & Filters 18
Upper Housing 20
Power Head-VSP 14 22
Power Head-VSP 18 24
Wiring Diagram 26
Suggested Spare Parts 27

How To Use This Manual

This manual contains the following sections:

- How to Use This Manual
- Safety
- Operations
- Maintenance
- Parts List

The HOW TO USE THIS MANUAL section will tell you how to find important information for ordering correct repair parts.

Parts may be ordered from authorized dealers. When placing an order for parts, the machine model and machine serial number are important. Refer to the MACHINE DATA box which is filled out during the installation of your machine. The MACHINE DATA box is located on the inside of the front cover of this manual.

Model: _____
Date of Purchase: _____
Serial Number: _____
Dealer: _____
Address: _____
Phone Number: _____
Sales Representative: _____

The model and serial number of your machine is located on the bottom-back of the machine.

The SAFETY section contains important information regarding hazardous or unsafe practices of the machine. Levels of hazards are identified that could result in product damage, personal injury, or severe injury resulting in death.

The OPERATIONS section is to familiarize the operator with the operation and function of the machine.

The MAINTENANCE section contains preventive maintenance to keep the machine and its components in good working condition. They are listed in this general order:

- Dust Bag
- Filters
- Blockage
- Brush strips
- Troubleshooting

The PARTS LIST section contains assembled parts illustrations and corresponding parts list. The parts lists include a number of columns of information:

- **ITEM** – column refers to the reference number on the parts illustration.
- **PART NO.** – column lists the part number for the part.
- **REF NO.** – reference number.
- **DESCRIPTION** – column is a brief description of the part.
- **NOTES** – column for information not noted by the other columns.

NOTE: If a service or option kit is installed on your machine, be sure to keep the KIT INSTRUCTIONS which came with the kit. It contains replacement parts numbers needed for ordering future parts.

NOTE: The manual part number is located on the lower left corner of the front cover.

IMPORTANT SAFETY INSTRUCTIONS

**When using this machine, basic precaution must always be followed, including the following:
READ ALL INSTRUCTIONS BEFORE USING THIS MACHINE.**

⚠ WARNING: To reduce the risk of fire, electric shock, or injury:

1. Do not leave appliance when plugged in. Unplug from outlet when not in use and before servicing.
2. Do not use outdoors or on wet surfaces.
3. Do not use near small children. Do not allow to be used as a toy. Close attention is necessary when used by or near children.
4. Use only as described in this manual. Use only manufacturer's recommended attachments.
5. Do not use with damaged cord or plug. If appliance is not working as it should, has been dropped, damaged, left outdoors, or dropped into water, return it to a service center.
6. Do not pull or carry by the cord, use cord as a handle, close a door on cord, or pull cord around sharp edges or corners. Do not run appliance over cord. Keep cord away from heated surfaces.
7. Do not unplug by pulling on cord. To unplug, grasp the plug, not the cord.
8. Do not handle plug or appliance with wet hands.
9. Do not put any object into openings. Do not use with any opening blocked; keep free of dust, lint, hair, and anything that may reduce air flow.
10. Keep hair, loose clothing, fingers and all parts of body away from openings and moving parts. Do not place fingers or other body parts under vacuum unless unplugged.
11. Do not pick up anything that is burning or smoking, such as cigarettes, matches, or hot ashes.
12. Do not use without dust bag and/or filters in place. Do not wash filters.
13. Turn off all controls before unplugging.
14. Use extra care when cleaning on stairs. Do not use to pick up flammable or combustible liquids such as gasoline or use in areas where they may have been present.
15. Machines can cause fire when operated near flammable vapors or materials. Do not operate this machine near flammable fluids, dust or vapors.
16. Maintenance and repairs must be done by qualified personnel.
17. Connect to a properly grounded outlet only. See Grounding Instructions.
18. Do not use machine as a step.
19. If used on plush carpet or carpet with thick padding, do not leave machine in one place with machine turned on.
20. Do not use the handle in the dust bag housing to carry the machine.

READ AND SAVE THESE INSTRUCTIONS

IMPORTANT SAFEGUARDS

Accidents due to misuse can only be prevented by those using the machine. To guard against injury, basic safety precautions should be observed, including the following:

Read and follow all safety instructions.

⚠ WARNING: Electric shock could occur if used outdoors or on wet surfaces.

The vacuum cleaner is designed to be safe when used to perform cleaning functions. Should damage occur to electrical or mechanical parts, cleaner should be repaired by a competent service center before using in order to avoid further damage to machine or physical injury to user.

A damaged power cord could cause electrical shock and/or fire. To minimize this possibility observe the following precautions:

- ♦ Do not run cleaner over power cord.
- ♦ Avoid closing doors on power cord pulling it around sharp edges, or placing sharp-edged objects upon it.
- ♦ Wind cord no tighter than is necessary to retain it on the cord hooks.
- ♦ When disconnecting power cord from electrical outlet, grasp the plug. Pulling it out by the cord itself can damage cord insulation and internal connections to plug.

Your vacuum cleaner creates suction and contains a revolving brush. To avoid bodily injury from suction or moving parts, vacuum cleaner brush should not be placed against, or in close proximity of loose clothing, jewelry, hair or body surfaces while cleaner is connected to electrical outlet. Cleaner should not be used to vacuum clothing while it is being worn. Keep children away from machine when in operation or plugged in.

If used on plus carpet or carpet with thick padding, turn off unit when handle is in upright position. When using accessory tools, keep floor bush off carpet by keeping handle in locked position and lowering handle with on hand to raise bush off floor. Operate accessories with other hand.

Always plug your cleaner into a standard wall outlet. Use of extension cord or light socket with inadequate current-carry capacity could result in electric shock or fire hazard.

Disconnect cleaner from electrical outlet before servicing, such as changing bags or belts. You could receive bodily injury from moving parts of machine should switch accidentally turned on. Disconnect cleaner from electrical outlet before detaching power head.

Do not use your vacuum cleaner in areas where flammable and/or explosive vapor or dust is present to avoid possibility of fire or explosion. Some cleaning fluids can produce such vapors. Areas on which cleaning fluids have been used should be completely dry and thoroughly aired before being vacuumed.

To avoid fire hazard, do not pick up matches, fireplace ashes, or smoking material with cleaner.

Keep your work area well lighted to avoid picking up harmful materials (such as liquids, sharp objects, or burning substances) and avoid tripping accidents.

Use care when operating the cleaner on irregular surfaces such as stairs, as falling cleaner could cause bodily injury and/or mechanical damage. Proper storage of machine in an out-of-way area immediately after use will also prevent accidents caused by tripping over cleaner.

Store your vacuum indoors in a cool, dry area not exposed to the weather to avoid electrical shock and/or cleaner damage.

Exercise strict supervision to prevent injury when using vacuum cleaner near children or when child is allowed to operate vacuum cleaner. Do not allow children to play with vacuum cleaner and never leave cleaner plugged in and unattended.

SAVE THESE INSTRUCTIONS

GROUNDING INSTRUCTIONS

ELECTRICAL

The amp, hertz, and voltage are listed on the data label found on each machine. Using voltages above or below those indicated on the data label will cause serious damage to the motors.

EXTENSION CORDS

If an extension cord is used, the wire size must be at least one size larger than the power cord on the machine, and must be limited to 50 feet (15.5m) in length.

GROUNDING INSTRUCTIONS

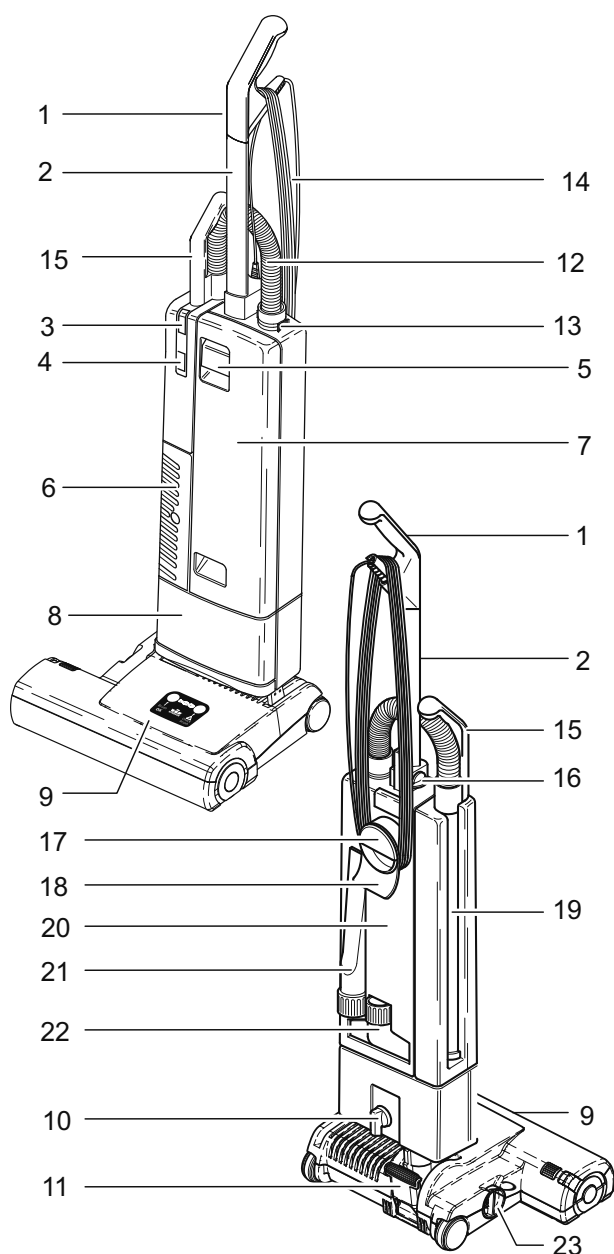
This appliance must be grounded. If it should malfunction or break down, grounding provides a path of least resistance for electric current to reduce the risk of electric shock. The plug must be inserted into an appropriate outlet that is properly installed and grounded in accordance with all local codes and ordinances.

WARNING:

Improper connection of the equipment-grounding conductor can result in a risk of electric shock. Check with a qualified electrician or service person if you are in doubt as to whether the outlet is properly grounded. Do not modify the plug provided with the appliance - if it will not fit the outlet, have a proper outlet installed by a qualified electrician.

Operations

Components



1. Handle grip
2. Handle assembly
3. Bag full indicator
4. On / Off switch
5. Cover release latch
6. Exhaust filter cover
7. Front cover
8. Motor cover
9. Power head
10. Locking catch
11. Foot pedal
12. Hose
13. Retaining ring
14. Cable
15. Attachment tube handle
16. Handle catch
17. Carrying handle
18. Cable hook
19. Attachment tube
20. Dust bag housing
21. Crevice nozzle
22. Upholstery nozzle
23. Pile adjustment knob

Assembling The Vacuum Cleaner

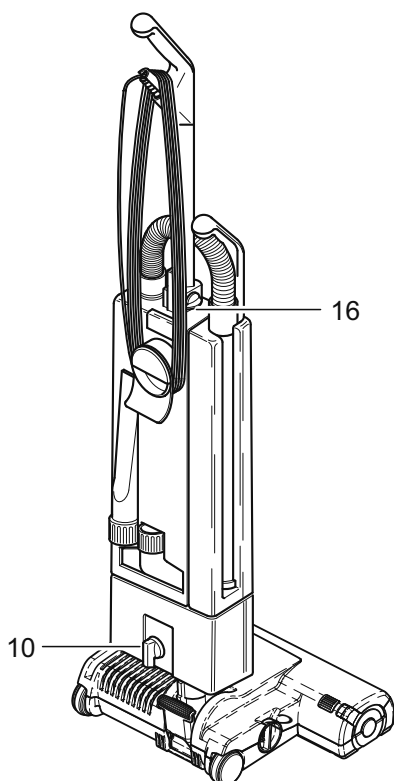
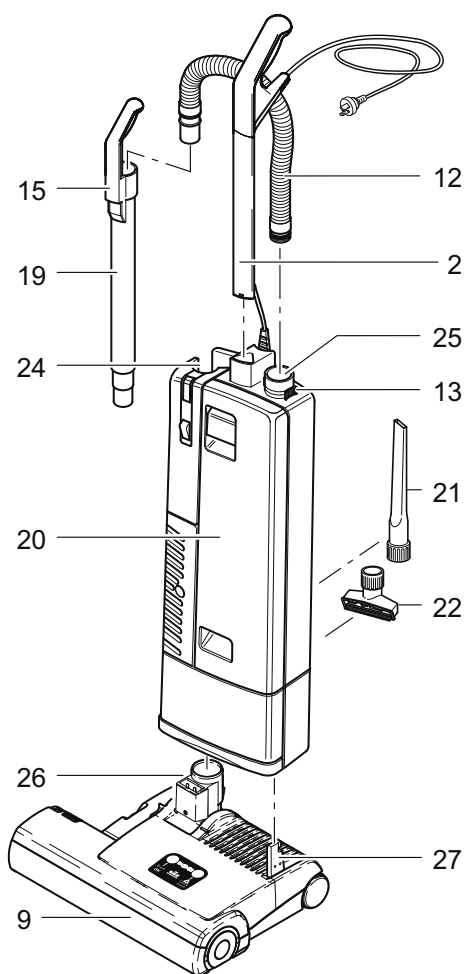
Put the power head (9) on the floor with swivel neck (26) and support lever (27) in upright position.

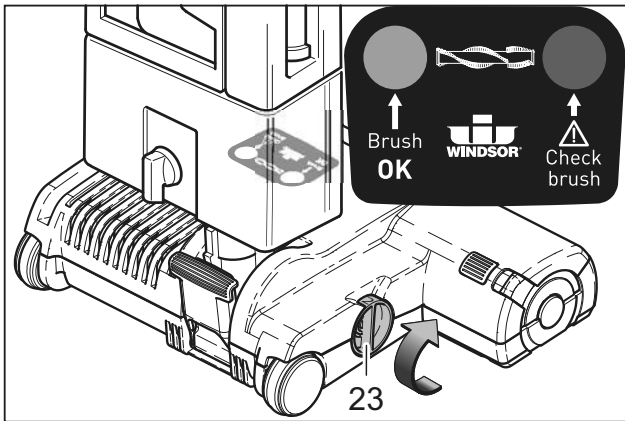
Turn the locking catch (10) on the filter bag housing (20) to the left and place the housing carefully on the swivel neck and the support lever.

NOTE: Ensure that the catch is engaged.

To lock the handle turn the handle catch (16) at the handle joint of the filter bag housing (20) forward, then slide the handle assembly (2) in as far as possible and lock it with the handle catch (16).

Insert the attachment tube (19) into its storage position on the side of the machine. The attachment tube handle (15) must be placed on the tab (24). Slide the proper end of the hose into the filter bag housing, insert the black hose end into the connecting tube (25) and slide it in completely. To unlock the hose press the retaining ring (13) at the housing connection.





Brush Controller

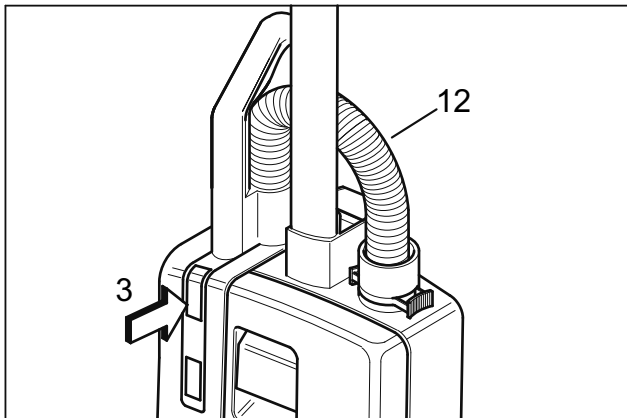
The electronic brush controller monitors the operation of the brush.

Green light: Brush set correctly and running.

Green and red light: Brush too high. Adjust the brush setting by turning the pile adjustment knob (23) to lower setting.

If the green and red light are still on at position number one the brush strip is worn out and must be replace.

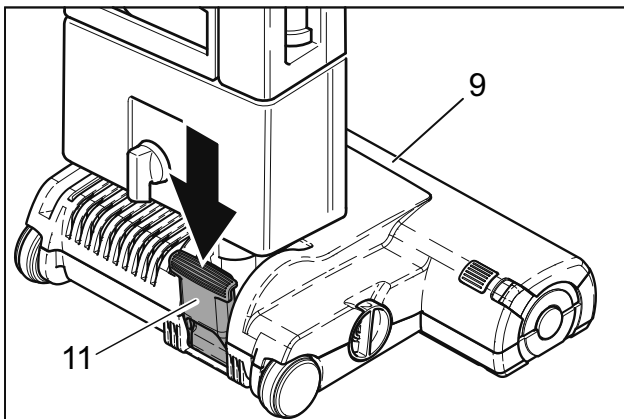
Red light blinking: The brush is blocked and is not turning. Switch machine off, unplug from the socket and clear the blockage.



Filter Level Indicator

If warning light (3) comes on check:

- Is the dust bag full?
- Is there a blockage in the hose (12) or power head (9)?

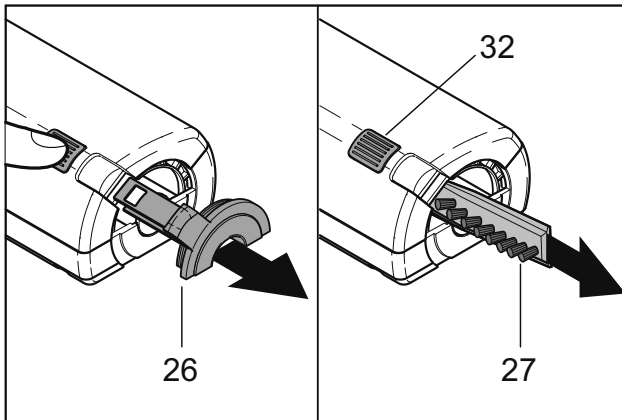


Swivel Neck Latch

To release the machine from the upright position depress the foot pedal (11).

⚠ WARNING:

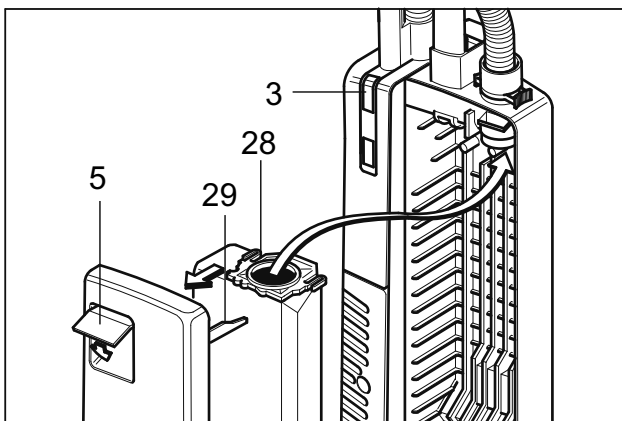
Unplug machine from electrical outlet before doing any maintenance.



Changing The Brush Strip

To replace brush strip, push button (32), remove the side plate (26) and rotate the brush so that the brush strip (27) can be pulled out of the opening. Ensure that the new brush strip is fully inserted, then press the side plate back into place.

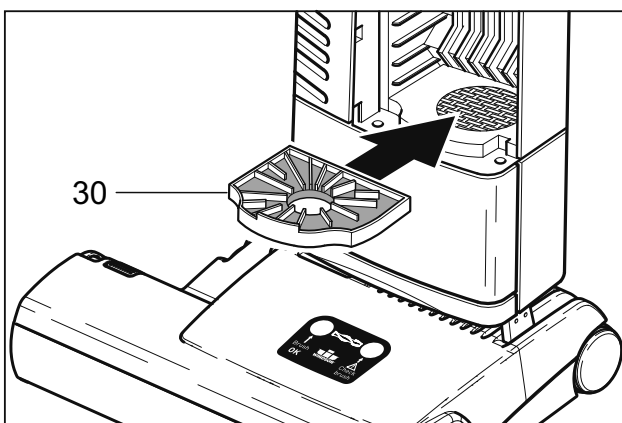
NOTE: Ensure plate is locked in place.



Changing The Paper Bag

If red light (3) shows, change paper filter bag.

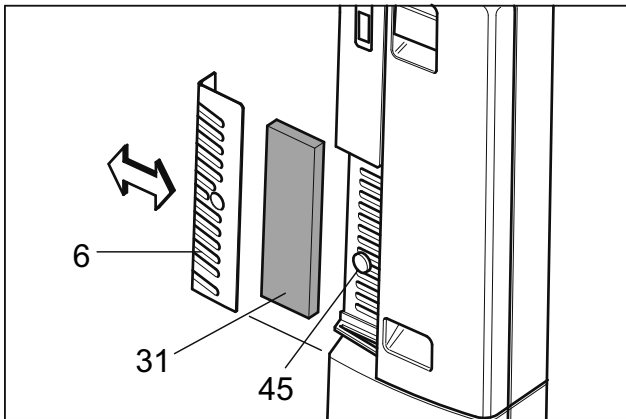
Pull cover release latch (5) forward and lift the cover from the dust bag housing. Slide the dust bag sealing plate (28) from the holder (29). Slide the sealing plate (28) of a new bag into the holder and push firmly in. Insert cover into dust bag housing. Push it forward then lock it in place by pushing down the cover release latch.



Changing The Motor Filter

Motor filter (30) should to be replaced after 20 filter bags have been used. Lift the front of the filter slightly and slide it out of the slot. Install new filter and press firmly ensuring filter is completely in place.

NOTE: Hospital grade filters are available.



Changing Exhaust Filter

Change the exhaust filter (31) always with the motor filter. Press the button (45) and slide the exhaust cover (6) to the side.

! CAUTION:

Never use the machine without correctly installing the filters.

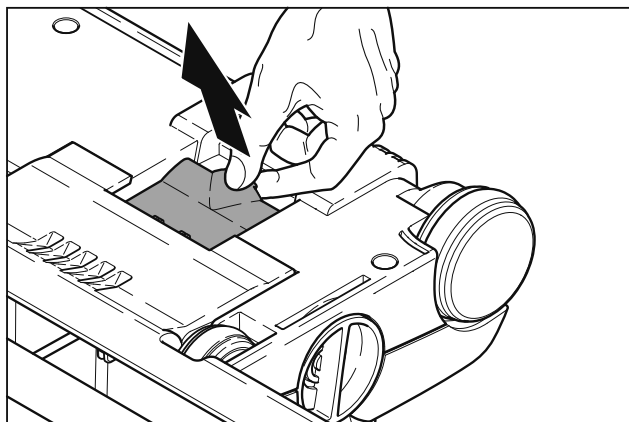
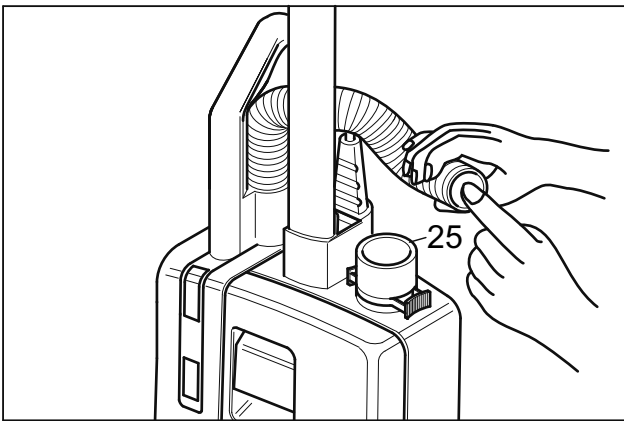
Clearing Blockages

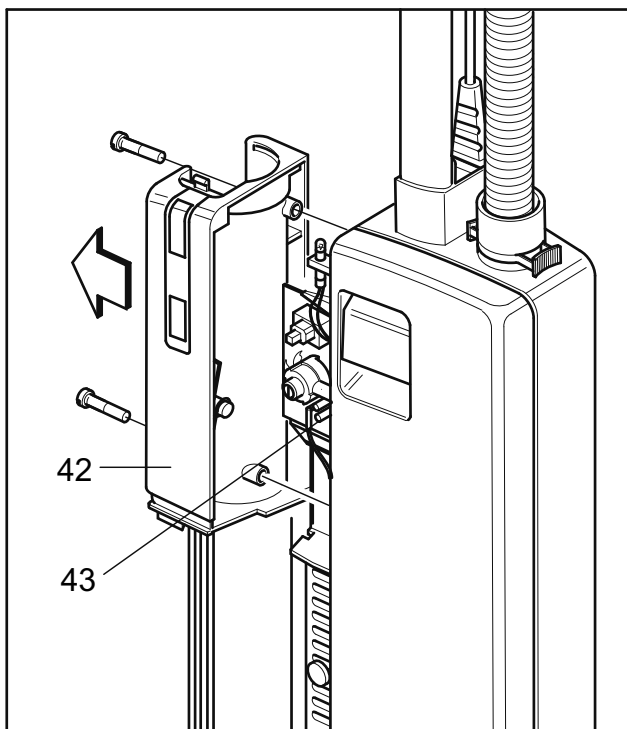
Visually check the hose, and connecting tube (25) for blockages. Blockages in the hose can be cleared by, holding it upright with one hand, blocking the top and switching on the machine. If necessary rapidly lift your hand on and off the end of the hose.

Check for blockage in the swivel neck of the power head and under the orange trap door located on the bottom of the power head.

Check the passage between the two openings in the power head for blockage also.

NOTE: Never use a stick or sharp object to clear the hose



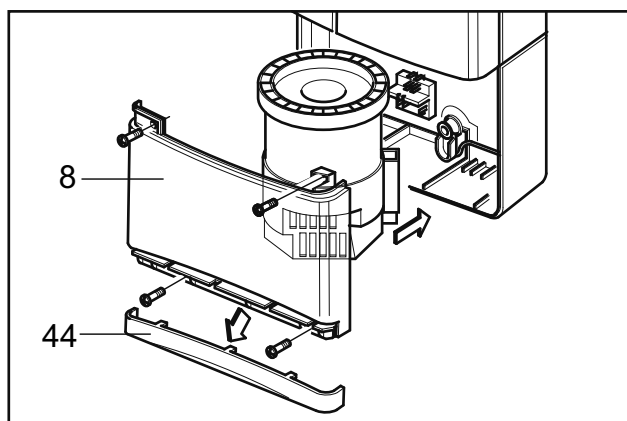


Replacing The Printed Circuit Board

Remove Exhaust Filter Cover (6).

Remove the three screws on the vacuum tube cover (42). Disconnect the wires and slide the circuit board (43) out.

Install new board, attach wires and install cover.

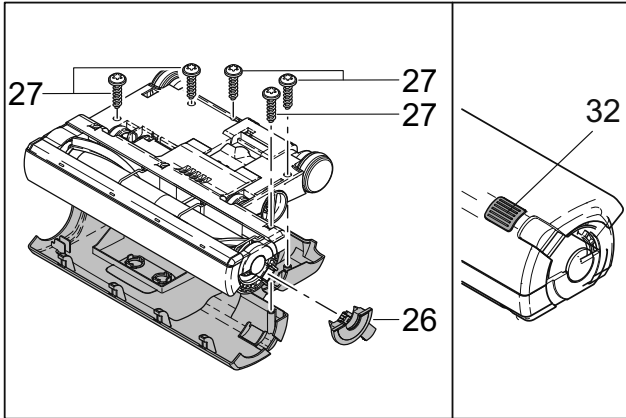


Replacing Vacuum Motor

Remove the power head from the upper body.

Remove the dust bag housing bumper (44) and remove the four screws on the motor cover (8).

Slide vacuum motor out and install new motor. Re-assemble cover and bumper.

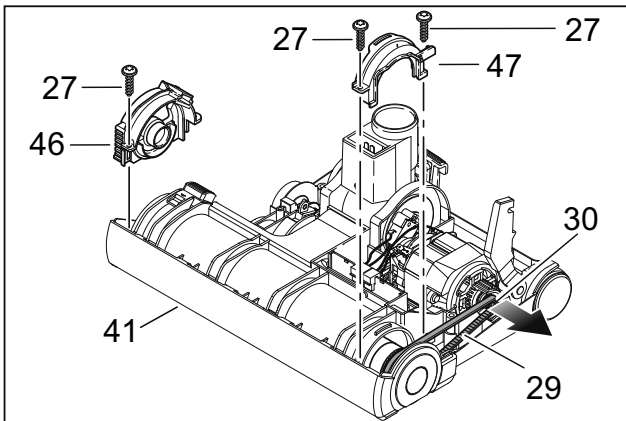


Changing The Brush Roller

Remove the power head from the upper body.

To remove the power head cover, push the button (32), remove the side plate (26) and remove the four (VSP14) or five (VSP18) large screw (27) from underneath the chassis. The cover and the button (32) can then be lifted off.

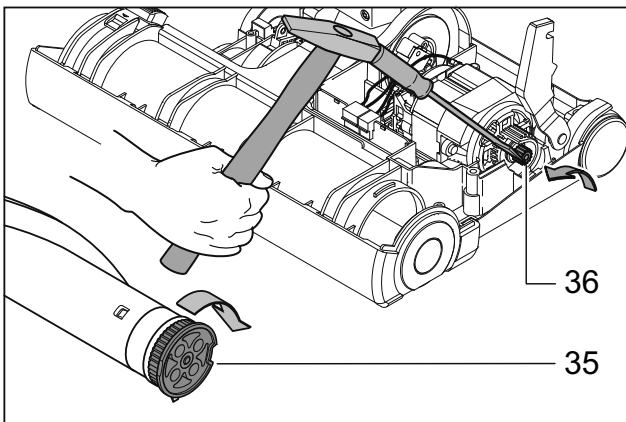
Push the belt (29) off the motor pulley (30), remove the bumper (41). Remove the three screws from both brush bearing blocks (46 & 47). Lift the bearing blocks out and replace the brush roller. Re-assemble bearing blocks, bumper, install belt, side plate and cover. Attach upper body to power head.



Replacing The Brush Roller Pulley

To remove the brush roller pulley (35) hold the roller in one hand and turn the pulley in a clockwise direction.

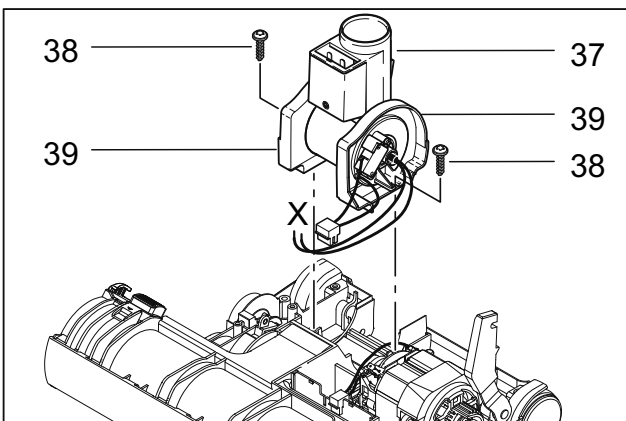
To remove the motor pulley (36), insert a screw driver into a groove and give a light tap in a counterclockwise direction. The loosened pulley can then be removed.

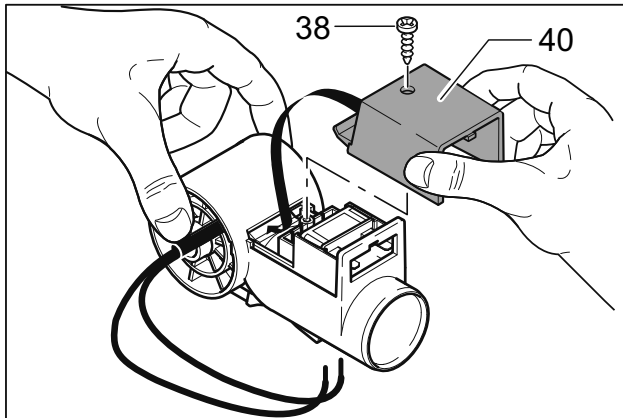


Replacing The Swivel Neck

To remove the swivel neck (37) take out the two small screws (38) from the swivel neck supports (39) then lift the swivel neck assembly from the chassis.

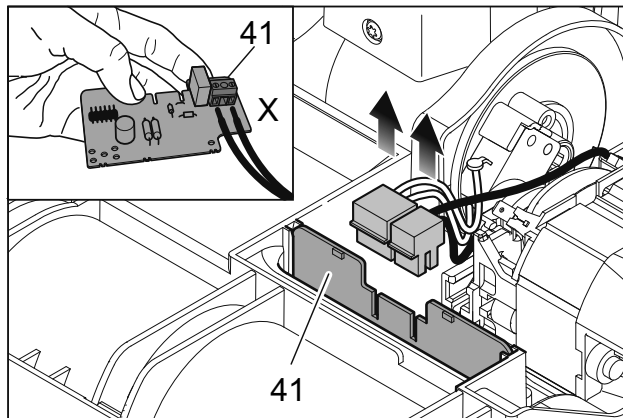
NOTE: On re-assembly ensure that the wires from the swivel neck are not trapped when the power head cover is replaced.





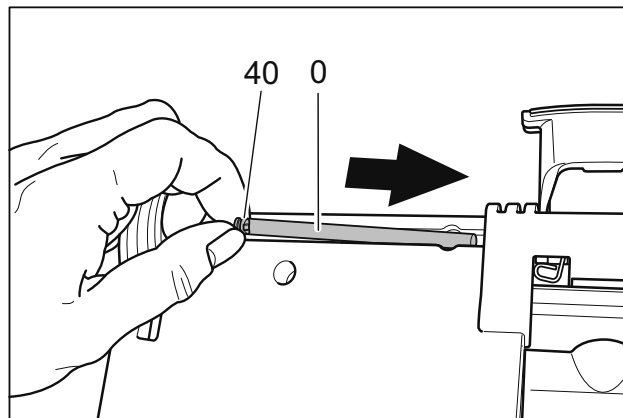
Removing The Swivel Neck Cover

To remove the swivel neck cover, take out the retaining screw (38) and slide the cover (40) downwards then lift out. On re-assembly check that the wires do not become trapped.



Changing The Electronic Controller

To change the electronic controller (41), disconnect the lead from the motor. Lift the controller upwards and then disconnect the lead from the swivel neck.



Replacing the Foot Pedal

Remove the power head from the upper housing. Remove the cover from the power head. Remove the retaining screw. Insert a screw driver in the notch on the axle and slide the axle out. Remove and replace foot pedal. Re-assemble.

NOTE: Ensure that at re-assembly, the axle (0) notch (40) is visible as shown

Notes:**Troubleshooting**

PROBLEM	CAUSE	SOLUTION
Brush not turning	Hose nozzle not far enough into neck	Reposition hose nozzle into neck
	Brush jammed	Turn off machine, clear brush and restart
	Brush strip not fully inserted	Push brush strip in all the way
	Broken belt	Replace belt
Red light stays on at lowest brush setting (#1)	Brush worn	Replace brush strip
Full bag light on, or poor suction	Full dust bag	Replace bag
	Hose clogged	Remove and clean hose
	Neck clogged	Disconnect floor head from vac tank and clean neck
	Bag not properly installed	Re-insert bag correctly
	Exhaust or motor filter clogged	Clean or replace filter
	Back cover leaking air	Re-Install dust bag, motor filter and back cover to ensure tight fit all around
Full bag light off when vacuum hose is blocked or bag is full	Sensor out of adjustment	Remove back door and use small screwdriver to turn screw behind light, counter-clockwise
Back door won't close	Bag not properly installed	Re-insert bag correctly
	Motor filter not in position	Re-insert filter correctly
Machine won't turn on	Faulty electrical circuit	Have machine check by qualified service person

Technical Data VSP 14 (VSP 18)

ITEM	DIMENSION/CAPACITY
Voltage	240V, 50 hz
Vacuum floor	4,2 amp
Air flow	117 cfm
Dust bag	1,3 gal, 3-layer
Brush motor	0,7 (0,8) amp
Brush width	12 3/4 (16/3/4) inches
Brush drive	Non slip drive belt with electronic overload protection
Brush strip	Replaceable
Height	48 inches
Width	14 (18) in
Weight	16 (18) lbs

VERSAMATICPLUS 14 & 18 240V



VACUUM

Mode d'emploi (FRA)

MODEL: 1.012-058.0

VSP14IA

1.012-054.0

VSP18IA



De série n ° # _____
Si le numéro de série ne figure pas,
contacter le fabricant



86404590 A 08/31/15

Données de la Machine

Modèle : _____

Date d'achat : _____

Numéro de série : _____

Détaillant : _____

Adresse : _____

Numéro de téléphone : _____

Représentant commercial: _____

Enregistrement de la garantie

Merci d'avoir acheté un produit Kärcher North America. L'enregistrement de la garantie est facile et rapide. Votre enregistrement nous permettra de mieux vous servir tout au long de la durée de vie de votre produit.

Pour enregistrer votre produit, consultez :

<http://warranty.karcherna.com/>

Pour l'assistance client:

1-800-444-7654



Données de la Machine 2
Table des matières 3
Comment utiliser ce manuel 4

Sécurité

CONSIGNES DE SÉCURITÉ IMPORTANTES . . . 5
 FONDRE DES INSTRUCTIONS 7

Opérations

Composantes 8
 Montage de l'aspirateur 9
 Contrôleur de la brosse 10
 Indicateur de niveau du filtre 10
 Loquet du collet pivotant 10

Entretien

Remplacement de la bande de la brosse 11
 Remplacement du sac en papier 11
 Remplacement du filtre du moteur 11
 Remplacement du filtre d'évacuation 12
 12
 Élimination des blocages 12
 Remplacement de la plaque des
 circuits imprimés 13
 Remplacement du moteur d'aspiration 13
 Remplacement du rouleau de la brosse 14
 Remplacement de la poulie du rouleau de la brosse
 14
 Remplacement du collet pivotant 14
 Retrait du couvercle du collet pivotant 15
 Remplacement du contrôleur électronique 15
 Remplacement de la pédale 15
 Dépannage 16
 Données techniques VSP 14 (VSP 18) 16

Pièces

Parts - Tools, Bags & Filters 18
 Upper Housing 20
 Power Head-VSP 14 22
 Power Head-VSP 18 24
 Wiring Diagram 26
 Suggested Spare Parts 27

Comment utiliser ce manuel

Ce manuel contient les sections suivantes :

- Comment utiliser ce manuel
- Sécurité
- Opérations
- Entretien
- Liste des pièces

La section COMMENT UTILISER CE MANUEL vous dira comment trouver des informations importantes pour commander les pièces de rechange correctes.

Les pièces peuvent être commandées auprès des revendeurs agréés. Lorsque vous passez une commande de pièces, le modèle de la machine et le numéro de série de la machine sont importants. Consultez la case DONNÉES DE LA MACHINE qui est remplie lors de l'installation de votre machine. La case DONNÉES DE LA MACHINE se trouve sur la deuxième de couverture de ce manuel.

Modèle :	_____
Date d'achat :	_____
Numéro de série :	_____
Détaillant :	_____
Adresse :	_____
Numéro de téléphone :	_____
Représentant commercial :	_____

Le modèle et le numéro de série de votre machine se trouvent sur l'arrière-inférieur de la machine.

La section SÉCURITÉ contient des informations importantes concernant les utilisations dangereuses ou risquées de la machine. Les catégories de risques identifiés comprennent des risques qui pourraient endommager le produit, provoquer des blessures corporelles ou des blessures graves entraînant la mort.

La section OPÉRATIONS familiarise l'opérateur avec le fonctionnement et les fonctions de la machine.

La section ENTRETIEN contient les mesures d'entretien préventif pour maintenir la machine et ses composants en bon état. Elles sont énumérées dans cet ordre général :

- Sac à poussière
- Filtres
- Obstruction
- Bandes de la brosse
- Dépannage

La section LISTE DES PIÈCES contient des illustrations des pièces assemblées et la liste des pièces correspondantes. Les listes de pièces comprennent un certain nombre de colonnes informatives :

- **ITEM** - la colonne se réfère au numéro de référence sur l'illustration des pièces.
- **PART NO.** - cette colonne indique le numéro de chaque pièce
- **REF NO.** - numéro de référence.
- **DESCRIPTION** – la colonne contient une brève description de la pièce.
- **NOTES** – colonne pour les informations non traitées par les autres colonnes.

REMARQUE : Si un kit d'entretien ou kit optionnel est installé sur votre machine, conservez soigneusement les INSTRUCTIONS DU KIT accompagnant le kit. Il les numéros des pièces de rechange nécessaires pour commander de nouvelles pièces.

REMARQUE : La référence du manuel se trouve dans le coin inférieur gauche de la couverture.

CONSIGNES DE SÉCURITÉ IMPORTANTES

Lorsque vous utilisez cette machine, les précautions de base doivent toujours être suivies, notamment :

LIRE TOUTES LES INSTRUCTIONS AVANT D'UTILISER CETTE MACHINE.

⚠ AVERTISSEMENT: Pour réduire les risques d'incendie, de choc électrique ou de blessure :

1. Ne pas laisser l'appareil sans surveillance lorsqu'il est branché. Débrancher l'appareil lorsqu'il n'est pas utilisé et avant toute opération d'entretien.
2. Ne pas utiliser à l'extérieur ou sur des surfaces humides.
3. Ne pas utiliser à proximité de jeunes enfants. Cet appareil n'est pas un jouet. Une surveillance étroite est impérative lorsqu'il est utilisé par des enfants ou à proximité.
4. N'utiliser que conformément aux instructions de ce manuel. N'utiliser que les accessoires recommandés par le fabricant.
5. Ne pas utiliser un cordon ou une fiche endommagé(e). Si l'appareil ne fonctionne pas correctement, s'il a chuté, a été endommagé, laissé à l'extérieur ou s'il est tombé dans l'eau, le renvoyer à un centre de service.
6. Ne pas tirer sur ou transporter par le cordon, utiliser le cordon comme une poignée, fermer une porte sur le cordon ou tirer le cordon autour de bords ou d'angles pointus. Ne pas faire rouler l'appareil sur le cordon. Tenir le cordon éloigné des surfaces chaudes.
7. Ne pas débrancher l'appareil en tirant sur le cordon. Pour débrancher, saisir la fiche et non le cordon.
8. Ne pas manipuler la fiche ou l'appareil avec les mains mouillées.
9. Ne pas insérer d'objets dans les ouvertures. Ne pas utiliser le produit si l'une des ouvertures est obstruée. Retirer la poussière, les peluches et les cheveux, ou tout autre élément pouvant réduire la circulation de l'air.
10. Tenir les cheveux, les vêtements amples, les doigts ou toute autre partie du corps éloignés des ouvertures et des pièces en mouvement. Ne pas placer les doigts ou autres parties du corps sous l'aspirateur, à moins que l'appareil ne soit débranché.
11. Ne pas aspirer des choses qui brûlent ou fument, comme des cigarettes, des allumettes ou des cendres chaudes.
12. Ne pas utiliser sans le sac à poussière et/ou les filtres en place. Ne pas laver les filtres.
13. Placer toutes les commandes sur la position d'arrêt avant de débrancher l'appareil.
14. Faire particulièrement attention lors du nettoyage des escaliers. Ne pas utiliser pour ramasser des liquides inflammables ou combustibles tels que l'essence ou dans les zones où ils peuvent avoir été présents.
15. Les machines peuvent provoquer un incendie lorsqu'elles sont utilisées à proximité de vapeurs ou de matériaux inflammables. Ne pas utiliser cette machine en présence de fluides, de poussière ou de vapeurs inflammables.
16. L'entretien et les réparations doivent être effectués par du personnel qualifié.
17. Brancher seulement à une prise correctement mise à la terre. Voir les instructions de mise à la terre.
18. Ne pas utiliser la machine comme escabeau.
19. Si elle est utilisée sur une moquette ou un tapis à poils longs avec un rembourrage épais, ne pas laisser la machine au même endroit lorsqu'elle est en fonctionnement.
20. Ne pas utiliser la poignée du boîtier du sac à poussière pour transporter la machine.

LIRE ET CONSERVER CES INSTRUCTIONS

MESURES DE SÉCURITÉ IMPORTANTES

Les accidents dus à une mauvaise utilisation peuvent uniquement être évités par ceux qui utilisent la machine. Pour se prémunir contre les blessures, les précautions de sécurité de base doivent être observées, notamment :

Lisez et suivez toutes les consignes de sécurité.

⚠ AVERTISSEMENT: Un choc électrique peut se produire si vous utilisez la machine à l'extérieur ou sur des surfaces humides.

L'aspirateur est conçu pour être sûr lorsqu'il est utilisé pour exécuter des fonctions de nettoyage. En cas d'endommagement de pièces électriques ou mécaniques, l'aspirateur doit être réparé par un centre de service compétent avant d'être utilisé afin d'éviter de causer des dommages supplémentaires à la machine ou des blessures corporelles à l'utilisateur.

Un cordon d'alimentation endommagé peut causer un choc électrique et/ou un incendie. Afin de minimiser cette possibilité, observez les précautions suivantes :

- ◆ Ne pas faire fonctionner l'aspirateur sur un cordon électrique.
- ◆ Éviter de fermer les portes sur le cordon d'alimentation, de le tirer le long de bords tranchants ou de placer des objets coupants sur le cordon.
- ◆ Ne pas serrer le cordon plus que nécessaire afin de le maintenir sur les crochets.
- ◆ Lorsque vous débranchez le cordon d'alimentation de la prise électrique, saisissez la fiche. Le tirer par le cordon peut endommager l'isolation du cordon et les connexions internes à la fiche.

Votre aspirateur produit une aspiration et contient une brosse rotative. Pour éviter des blessures corporelles résultant de l'aspiration ou des pièces mobiles, la brosse de l'aspirateur ne doit pas être placée contre ou à proximité des vêtements amples, des bijoux, des cheveux ou des surfaces du corps pendant que l'aspirateur est branché à une prise électrique. L'aspirateur ne doit pas être utilisé pour nettoyer des vêtements pendant qu'ils sont portés. Tenir les enfants éloignés lorsque la machine est en fonctionnement ou branchée.

Si elle est utilisée sur un tapis à poils longs ou un tapis avec un rembourrage épais, éteignez l'appareil lorsque la poignée est en position verticale. Lors de l'utilisation des accessoires, maintenez la brosse de sol surélevée par rapport au tapis en maintenant la poignée en position verrouillée et en abaissant la poignée avec la main pour soulever la brosse du tapis. Utilisez les accessoires avec l'autre main.

Toujours brancher votre aspirateur sur une prise murale standard. L'utilisation d'une rallonge ou d'une douille avec une capacité insuffisante de transmission de l'électricité peut entraîner un choc électrique ou un incendie.

Débranchez l'aspirateur de la prise électrique avant l'entretien, comme le remplacement des sacs ou des courroies. Vous pourriez vous blesser à cause des pièces mobiles de la machine, si celle-ci s'est accidentellement allumée. Débranchez l'aspirateur de la prise électrique avant de détacher l'électrobrosse.

N'utilisez pas votre aspirateur dans les endroits où des vapeurs ou de la poussière inflammable(s) et/ou explosive(s) sont présentes, afin d'éviter les risques d'incendie ou d'explosion. Certains liquides de nettoyage peuvent produire de telles vapeurs. Les superficies sur lesquelles des liquides de nettoyage ont été utilisés doivent être complètement séchées et bien aérées avant d'être aspirées.

Pour éviter tout risque d'incendie, n'aspirez pas des allumettes, des cendres de cheminée ou des éléments qui fument.

Gardez votre zone de travail bien éclairée pour éviter de ramasser des matériaux nocifs (tels que les liquides, des objets tranchants ou des substances incandescentes) et pour éviter de trébucher.

Soyez prudent lorsque vous utilisez l'aspirateur sur des surfaces irrégulières telles que les escaliers, car la chute de l'aspirateur peut causer des blessures corporelles et/ou des dommages mécaniques. Un rangement adéquat de la machine dans un endroit à l'écart immédiatement après usage permettra également d'éviter les accidents causés par le trébuchement sur l'aspirateur.

Rangez votre aspirateur à l'intérieur, dans un endroit frais et sec, pas exposé aux intempéries afin d'éviter un choc électrique et/ou d'endommager l'aspirateur.

Exercez un contrôle rigoureux pour éviter les blessures lors de l'utilisation de l'aspirateur à proximité des enfants ou lorsqu'un enfant est autorisé à utiliser l'aspirateur. Ne laissez pas les enfants jouer avec l'aspirateur et ne laissez jamais l'aspirateur branché et sans surveillance.

CONSERVEZ CES INSTRUCTIONS

FONDRE DES INSTRUCTIONS

L'ampère, les hertz, et la tension sont énumérés sur l'étiquette de données trouvée sur chaque machine. Utilisant des tensions au-dessus ou au-dessous de ceux indiqués sur l'étiquette de données causera le sérieux dommage aux moteurs.

CORDES DE PROLONGATION

Si une corde de prolongation est employée, la taille de fil doit être au moins une taille plus grande que le cordon de secteur sur la machine, et doit être limitée à 50 pieds (15.5m) de longueur.

FONDRE DES INSTRUCTIONS

Cet appareil doit être fondu. S'il fonctionne mal ou décompose, fondre fournit un chemin de moindre résistance pour que le courant électrique réduise le risque de décharge électrique. La prise doit être insérée dans une sortie appropriée qui est correctement installée et fondue selon tous les codes locaux et ordonnances.

AVERTISSEMENT:

Le raccordement inexact du conducteur équipement-fondant peut avoir comme conséquence un risque de décharge électrique. Vérifiez avec un électricien ou une personne qualifié de service si vous êtes dans le doute de savoir si la sortie est correctement fondue. Ne modifiez pas la prise équipée d'appareil - s'il n'adaptera pas la sortie, faites installer une sortie appropriée par un électricien qualifié.

Montage de l'aspirateur

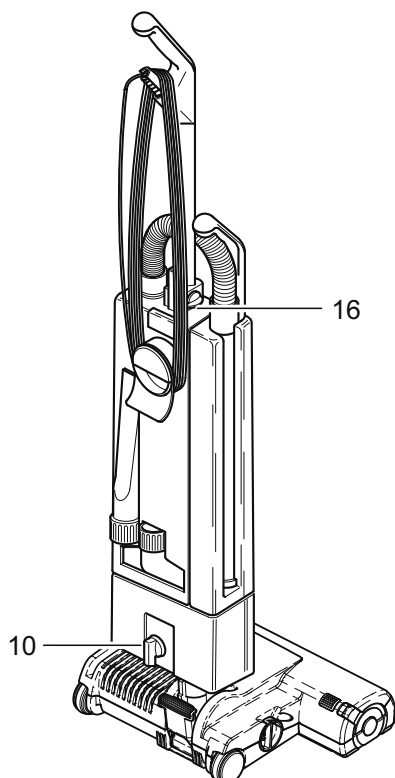
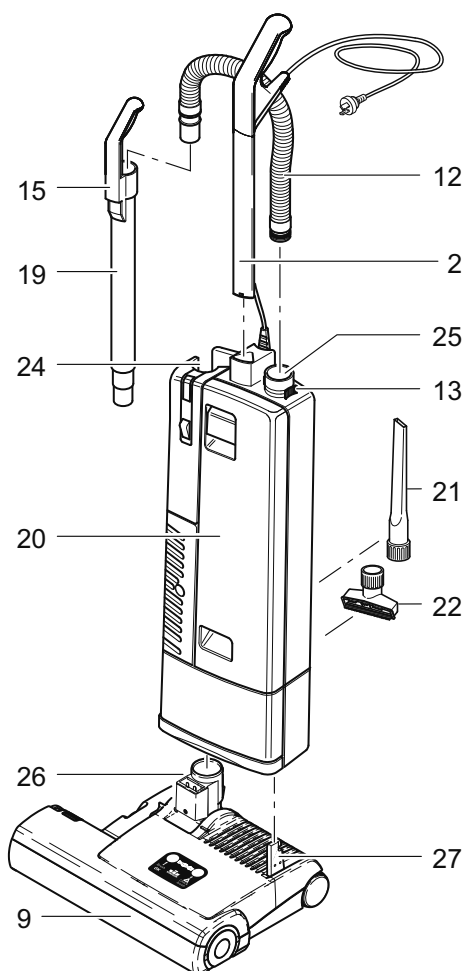
Placez l'électrobrosse (9) sur le plancher avec le collet pivotant (26) et le levier de support (27) en position verticale.

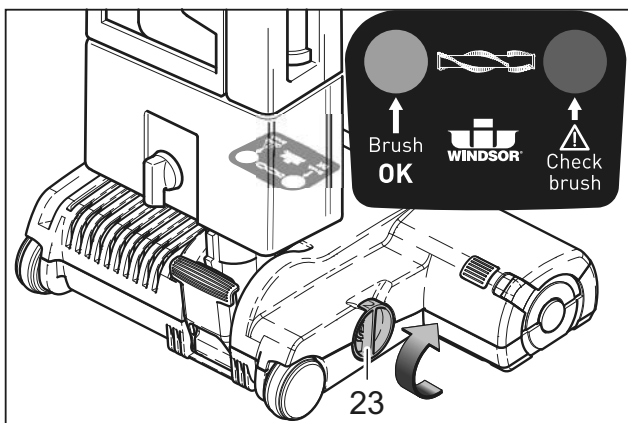
Tournez le cliquet de blocage (10) sur le boîtier du sac filtrant (20) vers la gauche et placez soigneusement le boîtier sur le collet pivotant et le levier de support.

REMARQUE : Assurez-vous que le cliquet est engagé.

Pour verrouiller la poignée, tournez le cliquet de la poignée (16) au niveau du joint de poignée du boîtier du sac filtrant (20) vers l'avant, puis faites glisser la poignée (2) à l'intérieur le plus profondément possible et verrouillez-la avec le cliquet de la poignée (16).

Insérez le tube de fixation (19) dans sa position de rangement sur le côté de la machine. La poignée du tube de fixation (15) doit être placée sur la patte (24). Faites glisser l'extrémité adéquate du tuyau dans le boîtier du sac filtrant, insérez l'extrémité noire du tuyau dans le tube connecteur (25) et faites-le glisser complètement à l'intérieur. Pour déverrouiller le tuyau, appuyez sur la bague de retenue (13) au raccord du boîtier.





Contrôleur de la brosse

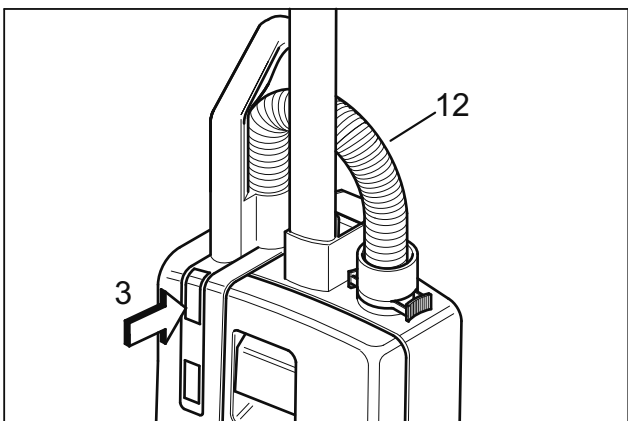
Le contrôleur électronique de la brosse surveille le fonctionnement de la brosse.

DEL verte : Brosse correctement installée et fonctionnelle.

DEL verte et rouge : Brosse trop élevée. Ajustez le réglage de la brosse en tournant le bouton de réglage de la hauteur (23) sur un réglage inférieur.

Si les voyants vert et rouge sont encore allumés à la position numéro 1, la bande de la brosse est usée et doit être remplacée.

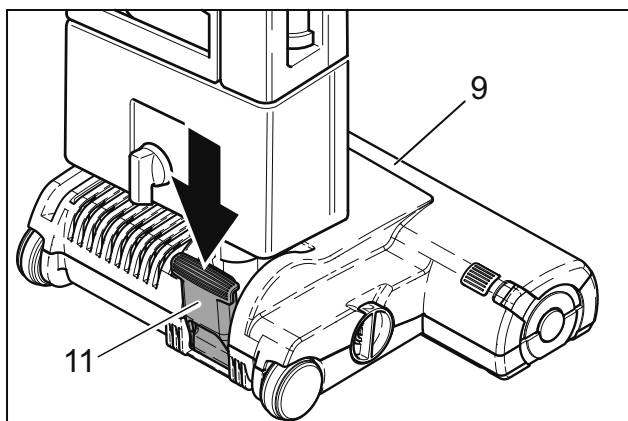
Le voyant rouge clignote : La brosse est obstruée et ne tourne pas. Mettez la machine hors tension, débranchez la prise et dégagez l'obstruction.



Indicateur de niveau du filtre

Si le voyant d'avertissement (3) s'allume, vérifiez :

- Est-ce que le sac à poussière est plein ?
- Y a-t-il une obstruction dans le tuyau (12) ou l'électrobrosse (9) ?

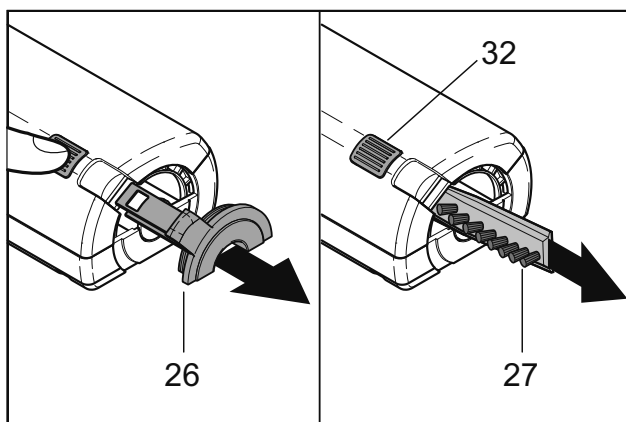


Loquet du collet pivotant

Pour libérer la machine de la position verticale, appuyez sur la pédale (11).

⚠ AVERTISSEMENT:

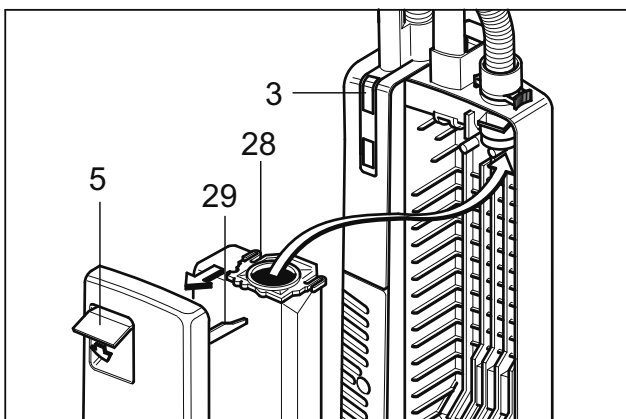
Débrancher la machine de la prise électrique avant d'exécuter tout entretien.



Remplacement de la bande de la brosse

Pour remplacer la bande de la brosse, appuyez sur le bouton (32), retirez la plaque latérale (26) et tournez la brosse de sorte que la bande de la brosse (27) puisse être retirée de l'ouverture. Assurez-vous que la nouvelle bande de la brosse soit complètement insérée, puis appuyez sur la plaque latérale pour la remettre en place.

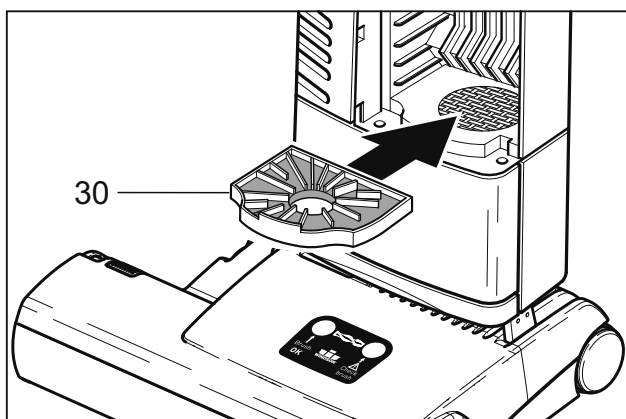
REMARQUE : Assurez-vous que la plaque soit bien en place.



Remplacement du sac en papier

Si le voyant rouge (3) s'allume, remplacez le sac filtrant en papier.

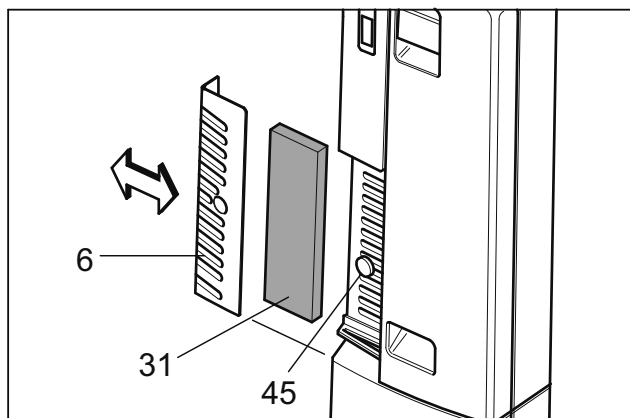
Poussez le loquet de dégagement du couvercle (5) vers l'avant et soulevez le couvercle du boîtier du sac à poussière. Faites glisser la plaque d'étanchéité du sac à poussière (28) hors du support (29). Faites glisser la plaque d'étanchéité (28) d'un nouveau sac dans le support et poussez fermement. Insérez le couvercle dans le boîtier du sac à poussière. Poussez-le vers l'avant, puis bloquez-le en place en poussant le loquet de dégagement du couvercle.



Remplacement du filtre du moteur

Le filtre du moteur (30) doit être remplacé lorsque 20 sacs filtrants ont été utilisés. Soulevez légèrement l'avant du filtre et faites-le glisser hors de la fente. Installez le nouveau filtre et appuyez fermement, pour assurer que le filtre est complètement en place.

REMARQUE : Des filtres de qualité hospitalière sont disponibles.

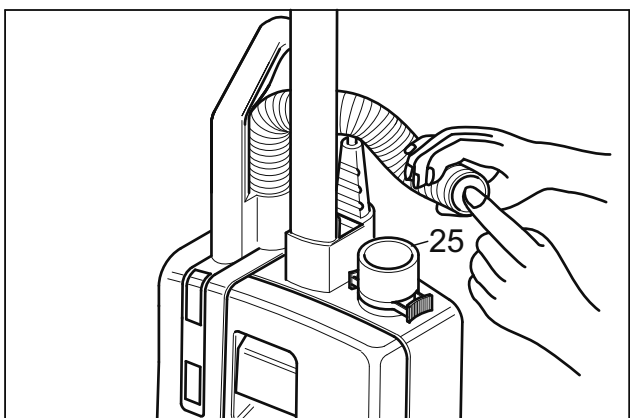


Remplacement du filtre d'évacuation

Remplacez toujours le filtre d'évacuation (31) en même temps que le filtre du moteur (45). Appuyez sur le bouton et faites glisser le couvercle d'évacuation (6) sur le côté.

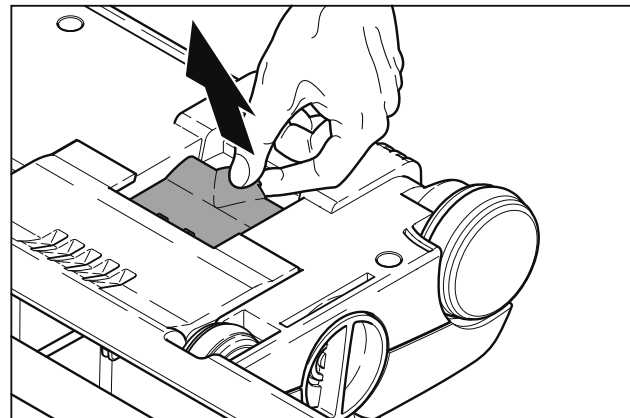
⚠ ATTENTION:

N'utilisez jamais la machine sans installer correctement les filtres.



Élimination des blocages

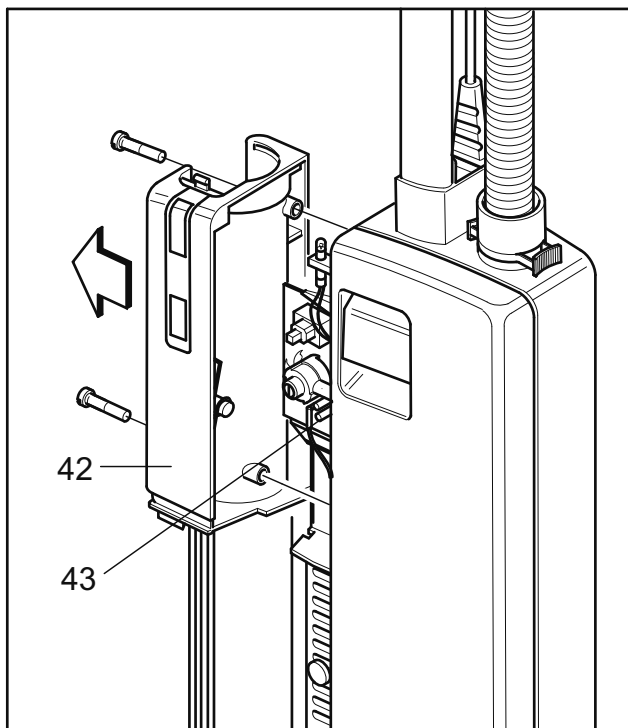
Contrôlez visuellement le tuyau et le tube connecteur (25) pour vérifier qu'il n'y a pas d'obstructions. Les obstructions dans le tuyau peuvent être éliminées en le tenant en position verticale d'une main, en bloquant la partie supérieure et en mettant la machine en marche. Si nécessaire, apposez et retirez rapidement votre main de l'extrémité du tuyau.



Vérifiez l'absence d'obstructions dans le collet pivotant de l'électrobrosse et sous la trappe orange située dans la partie inférieure de l'électrobrosse.

Vérifiez l'absence d'obstructions dans le passage entre les deux ouvertures de l'électrobrosse.

REMARQUE : Ne jamais utiliser un bâton ou un objet pointu pour dégager le tuyau.

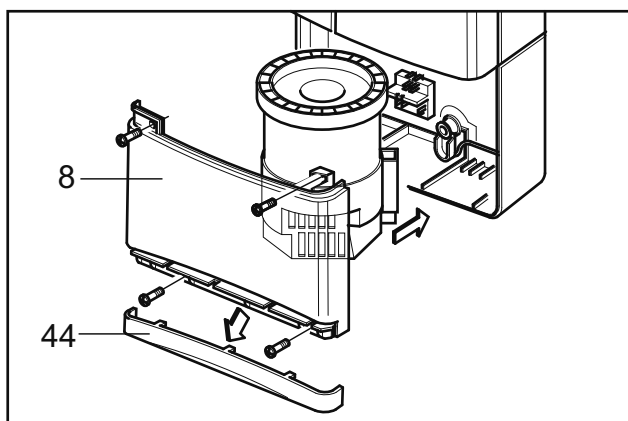


Remplacement de la plaque des circuits imprimés

Retirez le couvercle du filtre d'évacuation (6).

Retirez les trois vis sur le couvercle du tube d'aspiration (42). Débranchez les fils et faites glisser la plaque des circuits imprimés (43) vers l'extérieur.

Installez la nouvelle plaque, attachez les fils et remontez le couvercle.

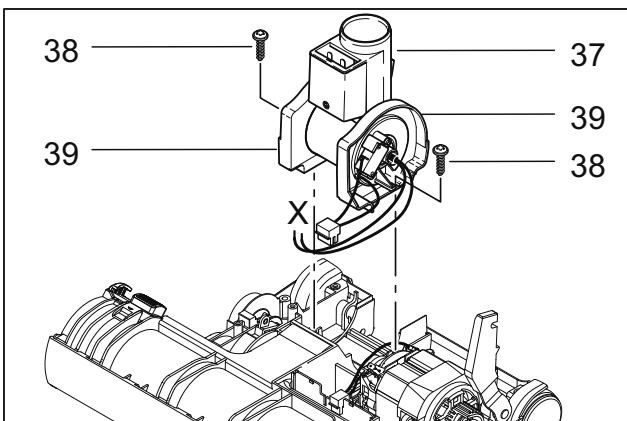
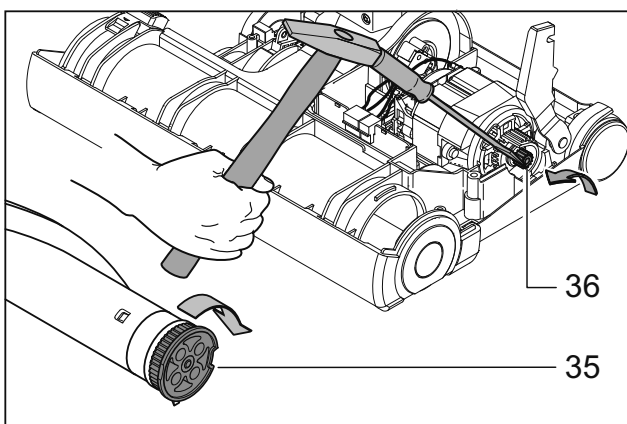
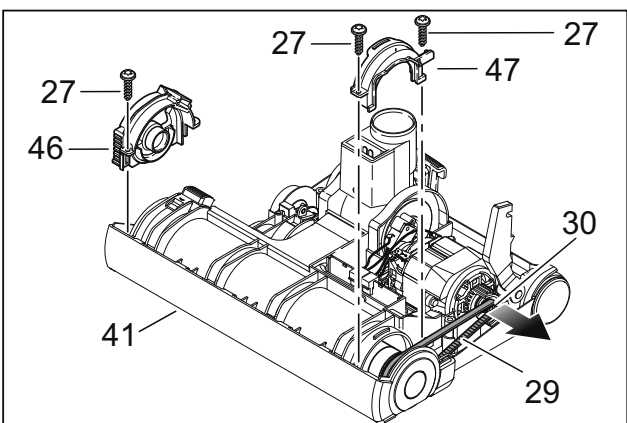
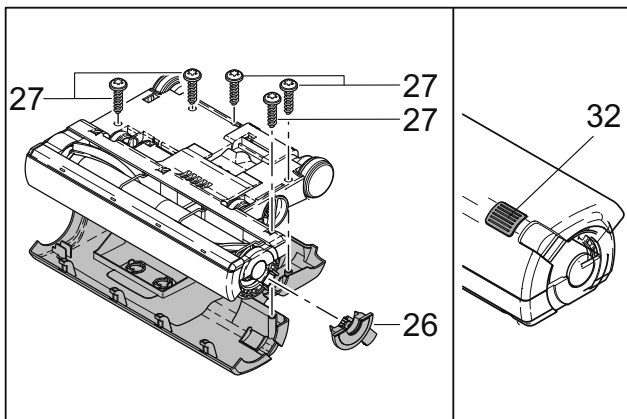


Remplacement du moteur d'aspiration

Retirez l'électrobrosse de la partie supérieure du corps.

Retirez le pare-chocs du boîtier du sac à poussière (44) et retirez les quatre vis sur le capot du moteur (8).

Faites glisser le moteur d'aspiration et installez le nouveau moteur. Remontez le capot et le pare-chocs.



Remplacement du rouleau de la brosse

Retirez l'électrobrosse de la partie supérieure du corps.

Pour retirer le couvercle de l'électrobrosse, appuyez sur le bouton (32), retirez la plaque latérale (26) et les quatre (VSP14) ou cinq (VSP18) grandes vis (27) situées sous le châssis. Le couvercle et le bouton (32) peuvent ensuite être enlevés.

Poussez la courroie (29) pour la détacher de la poulie du moteur (30), retirez le pare-chocs (41). Retirez les trois vis sur les deux corps de palier de la brosse (46 et 47). Soulevez les corps de palier et remplacez le rouleau de la brosse. Remontez les corps de palier, le pare-chocs, installez la courroie, la plaque latérale et le couvercle. Attachez la partie supérieure du corps à l'électrobrosse.

Remplacement de la poulie du rouleau de la brosse

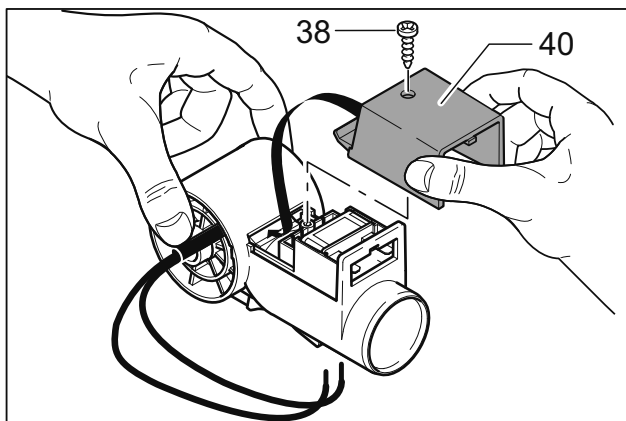
Pour retirer la poulie du rouleau de la brosse (35), tenez le rouleau d'une main et tournez la poulie dans le sens des aiguilles d'une montre.

Pour retirer la poulie du moteur (36), insérez un tournevis dans une rainure et donnez un léger coup dans le sens contraire des aiguilles d'une montre. La poulie desserrée peut alors être enlevée.

Remplacement du collet pivotant

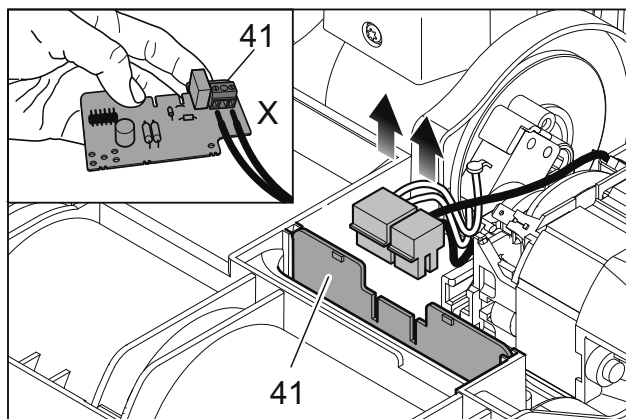
Pour enlever le collet pivotant (37), retirez les deux petites vis (38) des supports du collet pivotant (39), puis soulevez l'assemblage du collet pivotant pour le séparer du châssis.

REMARQUE : Lors du remontage, assurez-vous que les fils du collet pivotant ne sont pas piégés lorsque le couvercle de l'électrobrosse est remplacée.



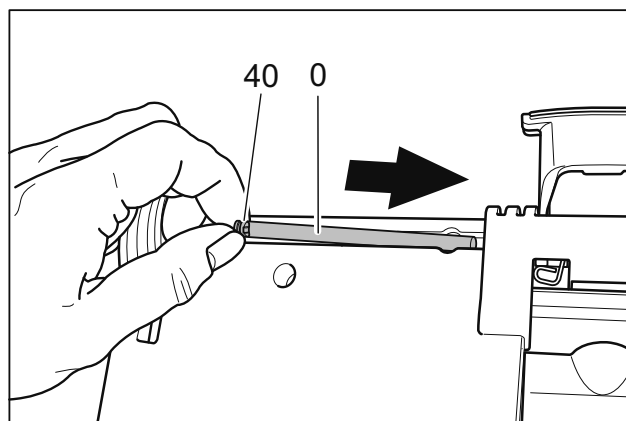
Retrait du couvercle du collet pivotant

Pour enlever le couvercle du collet pivotant, retirez la vis de fixation (38) et faites glisser le couvercle (40) vers le bas, puis soulevez-le. Lors du remontage, assurez-vous que les fils ne soient pas coincés.



Remplacement du contrôleur électronique

Pour remplacer le contrôleur électronique (41), débranchez le câble du moteur. Soulevez le contrôleur en position verticale et débranchez le câble du collet pivotant.



Remplacement de la pédale

Retirez l'électrobrosse du boîtier supérieur. Retirez le couvercle de l'électrobrosse. Retirez la vis de fixation. Insérez un tournevis dans l'encoche sur l'essieu et faites glisser l'essieu pour le retirer. Retirez et remplacez la pédale. Remontez le tout.

REMARQUE : Vérifiez que lors du remontage, l'encoche (40) de l'essieu (0) est visible comme indiqué

Dépannage

PROBLÈME	CAUSE	SOLUTION
La brosse ne tourne pas	L'embout du tuyau n'est pas enfoncé assez profondément dans le collet	Repositionnez l'embout du tuyau dans le collet
	Brosse coincée	Arrêtez la machine, débloquez la brosse et redémarrez
	Bande de la brosse pas complètement insérée	Poussez la bande de la brosse pour qu'elle soit complètement insérée
	Courroie cassée	Remplacez la courroie
Le voyant rouge reste allumé sur le réglage le plus bas de la brosse (# 1)	Brosse usée	Remplacez la bande de la brosse
Indicateur de sac plein allumé, ou aspiration faible	Sac à poussière plein	Remplacez le sac
	Tuyau obstrué	Démontez et nettoyez le tuyau
	Collet bouché	Retirez la brosse de sol du réservoir de l'aspirateur et nettoyez le tuyau
	Sac mal installé	Réinstallez le sac correctement
	Filtre d'évacuation ou filtre du moteur bouché	Nettoyez ou remplacez le filtre
	Fuite d'air au niveau du couvercle arrière	Réinsérez le sac à poussière, le filtre du moteur et le couvercle arrière pour que tout s'emboîte bien fermement
Indicateur de sac plein éteint lorsque le tuyau d'aspiration est bouché ou le sac est plein	Capteur mal ajusté	Retirez le capot arrière et utilisez un petit tournevis pour tourner la vis située derrière le voyant dans le sens inverse des aiguilles d'une montre
Capot arrière ne se ferme pas	Sac mal installé	Réinstallez le sac correctement
	Le filtre du moteur n'est pas en position	Réinstallez le filtre correctement
La machine ne démarre pas	Circuit électrique défectueux	Faites vérifier la machine par un réparateur qualifié

Données techniques VSP 14 (VSP 18)

ÉLÉMENT	DIMENSION/CAPACITÉ
Tension	240 V, 50 Hz
Moteur d'aspiration	1 000 watts
Colonne d'eau	2 040 mm
Débit d'air	55 l / sec
Moteur de brosse	175 (200) watts
Capacité sac Poussière	5,3 litres
Largeur de Travail	325 mm
Barrette de brosse	Interchangeable
Hauteur	1 225 mm
Largeur	360 (460) mm
Poids	8 (9) kg



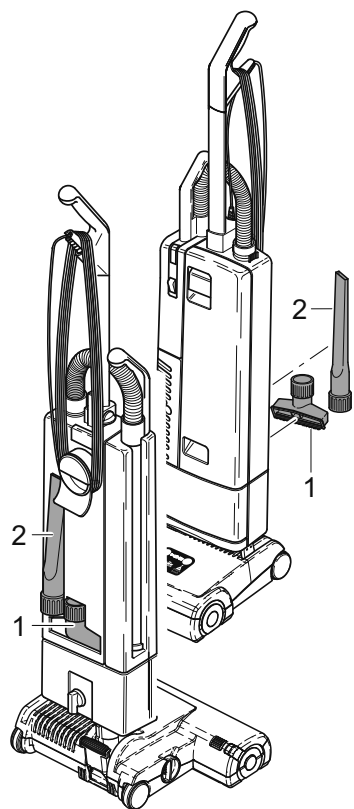
Spare Parts List

(1.012-054.0, 1.012-058.0)

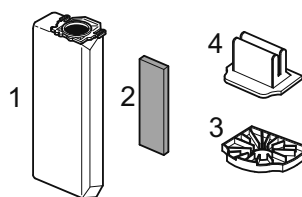
VERSAMATICPLUS 240V

From Serial No. # _____

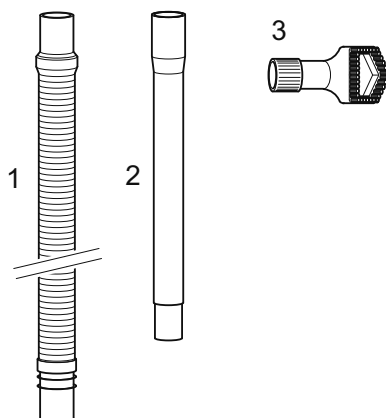
If Serial Number not listed,
Contact Manufacturer



ATTACHMENTS



BAGS & FILTERS



OPTIONAL ATTACHMENTS

ACCESSORIES

ITEM	PART NO.	REF NO.	DESCRIPTION	NOTES
1	86319290	1491sw	UPHOLSTERY NOZZLE, BLACK	
2	86319300	1092sw	CREVICE NOZZLE, BLACK	

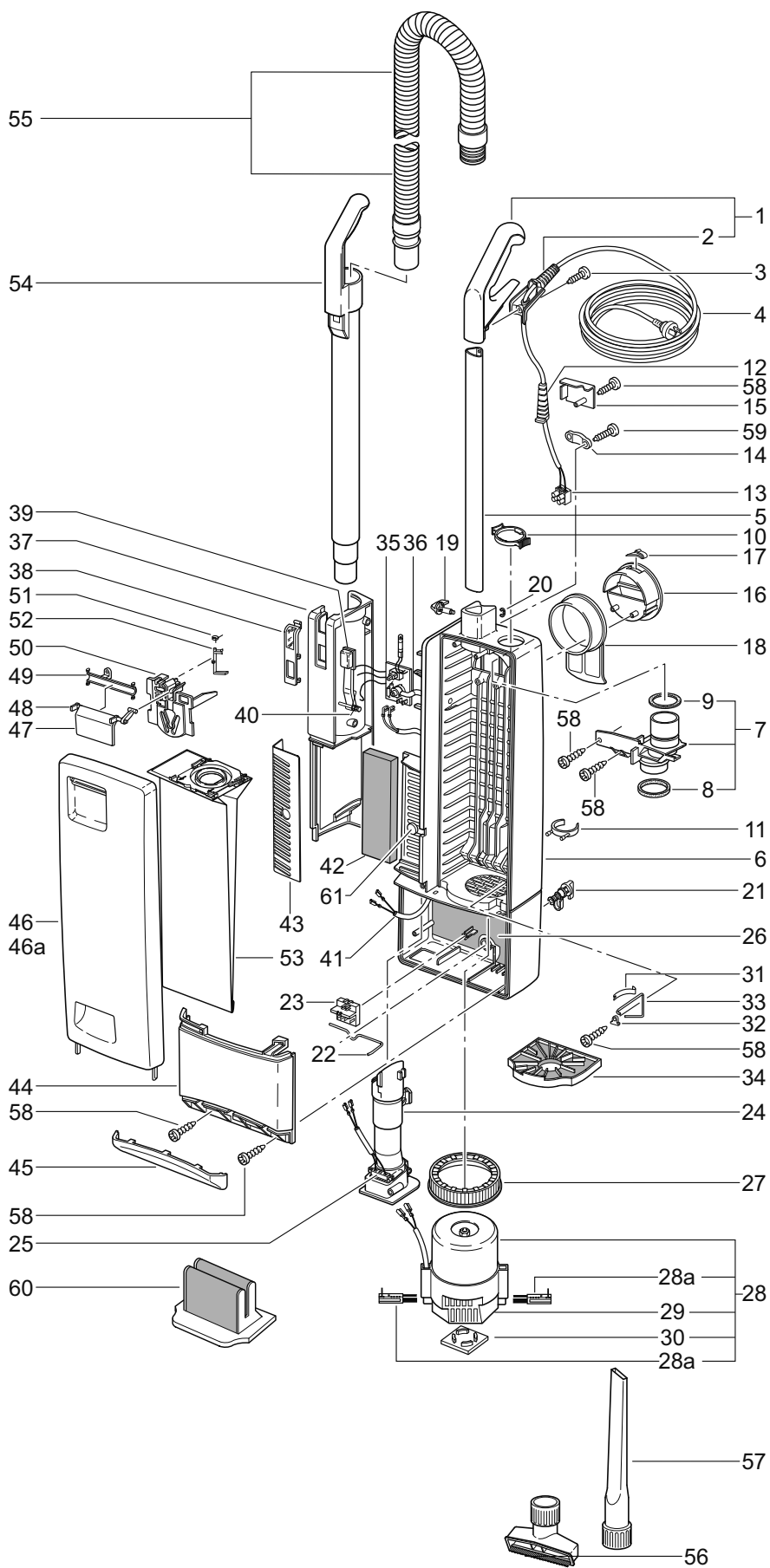
BAGS & FILTERS

ITEM	PART NO.	REF NO.	DESCRIPTION	NOTES
1	86000500	5300	FILTER BAG PACK	
2	86141370	1878	EXHAUST FILTER 34/470	
3	86143430	1825	MOTOR FILTER	
4	86142690	1875	HOSPITAL GRADE FILTER	

OPTIONAL ATTACHEMENTS

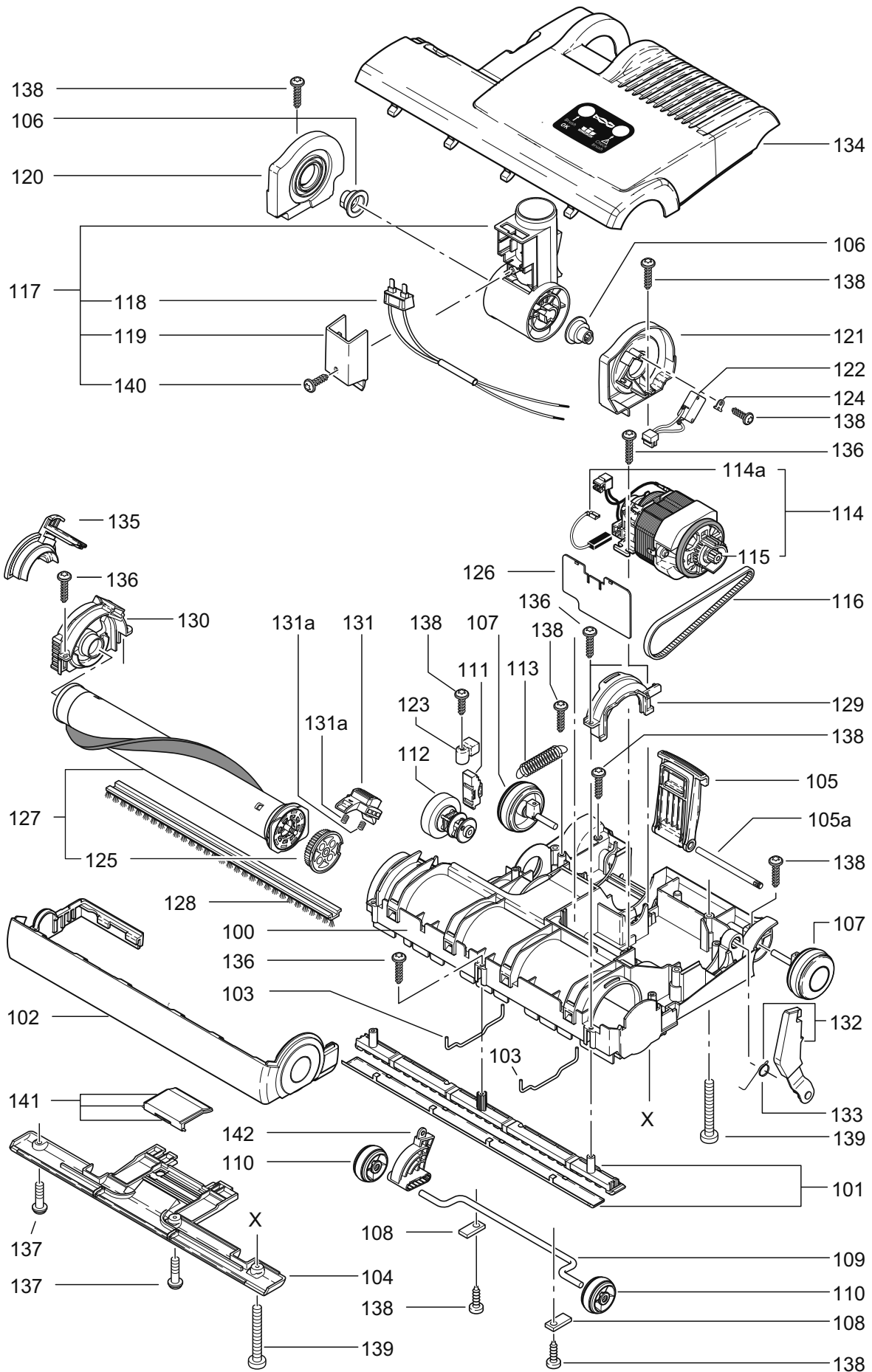
ITEM	PART NO.	REF NO.	DESCRIPTION	NOTES
1	86137690	1495KN	EXTENSION HOSE	
2	86409690	1084sw	EXTENSION TUBE, BLACK	
3	86409700	1094gs	ROUND BRUSH VSM-TK, GRAY BLACK	

Upper Housing



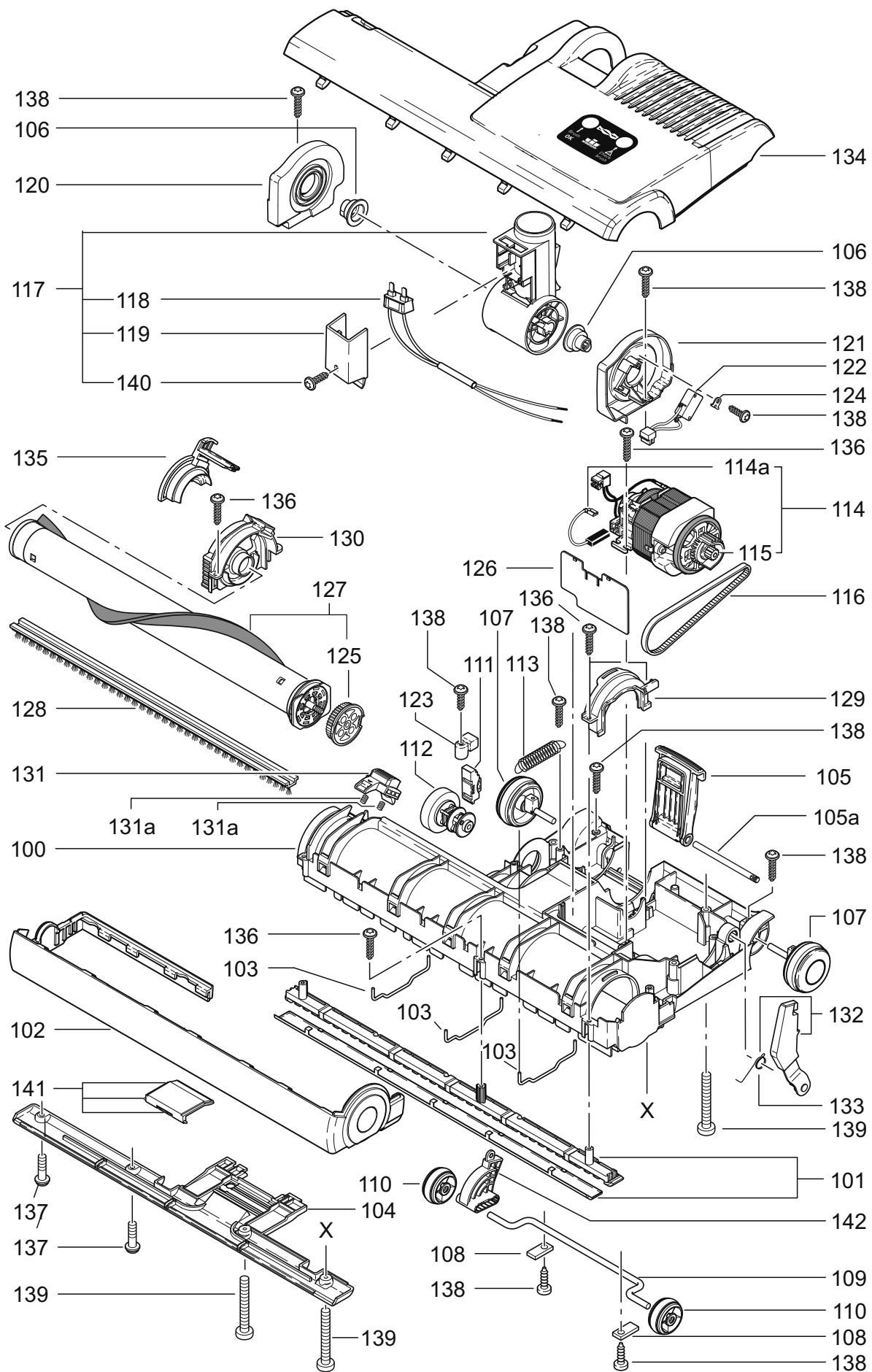
ITEM	PART NO.	REF NO.	DESCRIPTION	NOTES
1	86407670	1037ES	HANDLE GRIP, COMPLETE	
2	86407680	1596SW	HANDLE COVER	
3	86144830	0127ER	SCR, M4 X 10	
4	86408890	1874/1dg	CABLE VSP W/AUS PLUG	
5	86142150	1848	HANDLE	
6	86408900	1831bg	DUST BAG HOUSING, BASALT GRAY	
7	86408200	1835bg	INTERNAL COVER 370/470, BASALT GRAY	
8	86144930	5289	SEAL, FILTER TUBE	
9	86144900	5043	SEAL	
10	86408080	5424KG	RETAINING RING, KARCHER GRAY	
11	86319250	1823sw	CLIP, DUST BAG HOUSE-SR12	
12	86319140	5359SW	GROMMET, BLACK	
13	86146170	0502	TERMINAL BLOCK	
14	86139110	1030UL	CABLE CLAMP	
15	86408220	1812bg	COVER, VSE BRUSH STRIP, BASALT GRAY	
16	86408230	1814kg	CARRYING HANDLE, KARCHER GRAY	
17	86145350	5146	STOP SPRING (HOOK)	
18	86408240	1813kg	CABLE HOOK, KARCHER GRAY	
19	86408250	1859kg	HANDLE CATCH, KARCHER GRAY	
20	86140040	0161	CLIP 4 DIN 6799	
21	86408260	0850kg	LOCKING CATCH, KARCHER GRAY	
22	86143100	1811	LOCKING ROD	
23	86146190	1012N	TERMINAL BLOCK	
24	86408270	1807bg	CONNECTOR, BASALT GRAY	
25	86331740	1836	FEMALE CONTACT HOLDER 240V	
26	86145170	1851	SOUND INSULATION	
27	86146380	1047	VAC MOTOR SEAL	
28	86331750	1845	VAC MOTOR 240V/1000W	
28a	86139410	05118S	CARBON BRUSH SET 230/240V	
29	86143400	1821	MOTOR COVER	
30	86352880	1822-1	MOTOR SUPPORT VSP	
31	86143010	1027	LEAF SPRING	
32	86139970	1073	CLAMP	
33	86140230	1824	CONNECTING ROD	
34	86143430	1825	MOTOR FILTER	
35	86144390	1934ER	PRINTED CIRCUIT BOARD 240V	
36	86141680	1860	FITTING	
37	86408280	1852bg	VACUUM TUBE COVER, BASALT GRAY	
38	86143040	1869hg	LENS, BAG LIGHT INDICATOR	
39	86408290	1830zg	SWITCH BUTTON, ZINC YELLOW	
40	86145220	1862	SPRING	
41	86331760	1833	INTERNAL CABLE 240V	
42	86141370	1878	EXHAUST FILTER 370/470	
43	86408300	1802bg	EXHAUST FILTER COVER, BASALT GRAY	
44	86408310	1853BG	MOTOR COVER 370/470 DUAL MOTOR, BG	
45	86408320	1804bg	DUST BAG HOUSING BUMPER, BASALT GRY	
46	86141840	5454	FRONT COVER SEAL	
46a	86408330	1846bg	FRONT COVER COMPLETE, BASALT GRAY	COMPLETE WITH SEAL
47	86408340	1818zg	COVER RELEASE, ZINC YELLOW	
48	86144970	6040	SEAL, RELEASE COVER	
49	86143940	1819	PLASTIC AXLE COVER	
50	86138040	1847	BAG HOLDER, CPL	
51	86144760	5091	SAFETY CATCH SPRING	
52	86144750	1817	SAFETY CATCH	
53	86000500	5300	SENSOR FILTER BAG PACK (10PK)	
54	86319200	5045sw	EXTENSION TUBE, BLACK	
55	86142650	5040sb	HOSE, SENSOR SILVER	
56	86319290	1491sw	UPHOLSTERY NOZZLE, BLACK	
57	86319300	1092sw	CREVICE NOZZLE, BLACK	
58	86147030	0102ER	SCR, M3,9 X 13 MM DIN 7981	
59	86147040	0103ER	SCR, M3,9 X 16 MM DIN 7981	
60	86142690	1875	HOSPITAL GRADE FILTER	
61	86408350	1884kg	RETAINING BUTTON, KARCHER GRAY	

Power Head-VSP 14



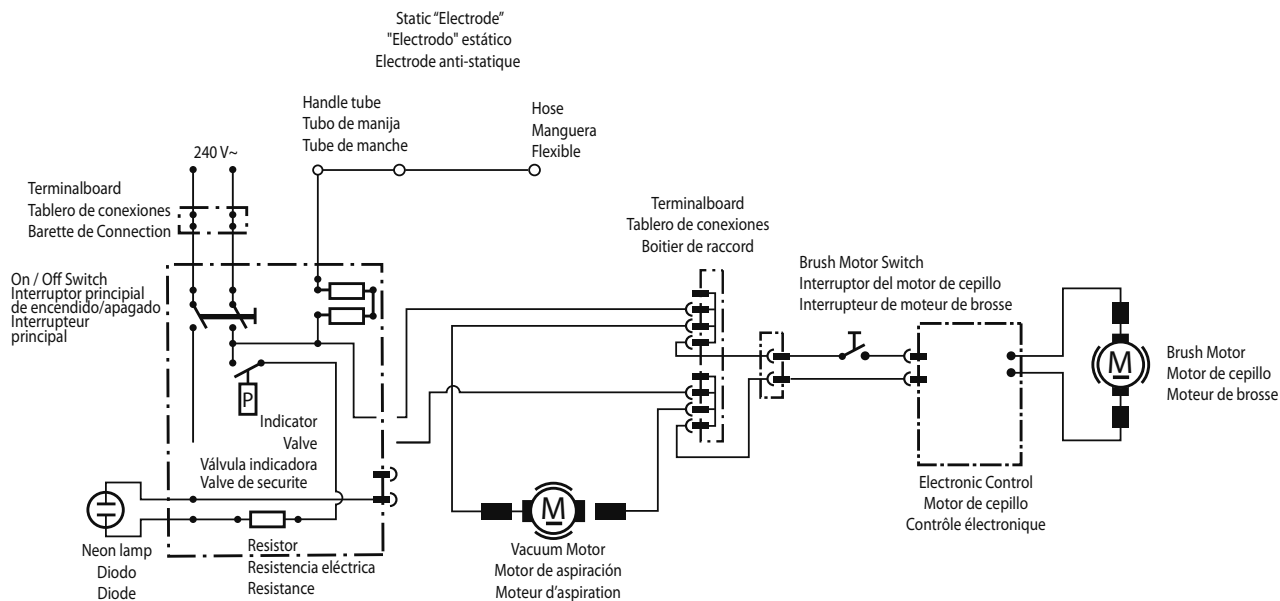
ITEM	PART NO.	REF NO.	DESCRIPTION	NOTES
100	86407840	20200SW	CHASSIS 14", BLACK	
101	86363140	20204GS	REAR BOTTOM TEMPLATE, GRAY BLACK	
102	86407850	20109SW	BUMPER, BLACK	
103	86363160	20115	RETAINING BRACKET	
104	86407860	20107GS	REAR BOTTOM PLATE, GRAY BLACK	
105	86407870	20230EK	FOOT PEDAL, ZINC YELLOW	
105a	86378430	20140ER	AXLE, FOOT PEDAL	
106	86363190	20136ER	SWIVEL NECK BEARING	
107	86322280	2306SW	WHEEL, BLACK	
108	86363200	2014ER	AXLE CLAMP	
109	86363210	20126ER	PILE ADJUSTMENT AXLE	
110	86407880	2608gs	PILE ADJUSTMENT WHEEL, GRAY BLACK	
111	86146220	2833	THRUST MEMBER	
112	86407890	20128EK	ADJUSTMENT BUTTON, ZINC YELLOW	
113	86145270	4019	SPRING	
114	86364910	2975ER	BRUSH MOTOR 230/240V, 175W	
114a	86138390	05141S	BRUSH SET, CARBON VAC MTR	
115	86309030	2319	BRUSH MOTOR PULLEY FM	
116	86138220	2923	BELT, 333 3M HTDII-6	
117	86364920	20232ER	SWIVEL NECK ASSEMBLY	
118	86364930	0895ER	WIRE, SWIVEL NECK 2-WIRE	
119	86145840	2602hg	SWIVEL NECK COVER 370/470	
120	86363260	20217ER	SWIVEL NECK SUPPORT	
121	86363270	20218ER	SWIVEL NECK SUPPORT L.H	
122	86363710	0897ER	SWITCH LEVER	
123	86363410	20129ER	LEAF	
124	86139970	1073	CLAMP	
125	86363280	2919ER	BRUSH PULLEY	
126	86364940	20164ER	PRINTED CIRCUIT BOARD 240V, 175W	
127	86363300	4098ER	BRUSH ASSEMBLY CPL	
128	86002440	2046	BRUSH STRIP 14"	
129	86363310	20123ER	BEARING BLOCK L.H.	
130	86407900	20117EK	BEARING BLOCK R.H., BLACK	
131	86407910	20120EK	BRUSH ROLLER RELEASE, KARCHER GRAY	
131a	86363340	20121ER	SPRING	
132	86145450	2653hg	SUPPORT LEVER	
133	86345580	2651	RETURN SPRING	
134	86407920	20220BGP	POWER HEAD COVER VSP 14", BASALT GRAY	
135	86407930	20118EK	SIDE PLATE, BLACK	
136	86144790	01017ER	SCR, 4X20-T20 STS	
137	86144850	0197ER	SCR,M4X12 MM W/WASHER	
138	86363370	01036ER	SCREW M4 X 14	
139	86147170	0176	SCREW M4 X 30	
140	86147030	0102ER	SCR, M3,9 X 13 MM DIN 7981	
141	86407940	20124EK	ACCESS DOOR, ZINC YELLOW	
142	86363400	20127ER	LEVER	

Power Head-VSP 18



ITEM	PART NO.	REF NO.	DESCRIPTION	NOTES
100	86407840	20202SW	CHASSIS 18", BLACK	
101	86363140	20205GS	REAR BOTTOM PLATE	
102	86407850	20110SW	BUMPER, LONG, BLACK	
103	86363160	20115	RETAINING BRACKET	
104	86408160	20108GS	REAR BOTTOM PLATE, GRAY BLACK	
105	86407870	20230EK	FOOT PEDAL, ZINC YELLOW	
105a	86378430	20140ER	AXLE, FOOT PEDAL	
106	86363190	20136ER	SWIVEL NECK BEARING	
107	86322280	2306SW	WHEEL, BLACK	
108	86363200	2014ER	AXLE CLAMP	
109	86363210	20126ER	PILE ADJUSTMENT AXLE	
110	86407880	2608gs	PILE ADJUSTMENT WHEEL, GRAY BLACK	
111	86146220	2833	THRUST MEMBER	
112	86407890	20128EK	ADJUSTMENT BUTTON, ZINC YELLOW	
113	86145270	4019	SPRING	
114	86364960	3260ER	BRUSH MOTOR 230/240V, 200W	
114a	86138390	05141S	BRUSH SET, CARBON VAC MTR	
115	86309030	2319	BRUSH MOTOR PULLEY FM	
116	86138220	2923	BELT, 333 3M HTDII-6	
117	86364920	20232ER	SWIVEL NECK ASSEMBLY	
118	86364930	0895ER	WIRE, SWIVEL NECK 2-WIRE	
119	86145840	2602hg	SWIVEL NECK COVER 370/470	
120	86363260	20217ER	SWIVEL NECK SUPPORT	
121	86363270	20218ER	SWIVEL NECK SUPPORT L.H	
122	86363710	0897ER	SWITCH LEVER	
123	86363410	20129ER	LEAF	
124	86139970	1073	CLAMP	
125	86363280	2919ER	BRUSH PULLEY	
126	86364980	20168ER	PRINTED CIRCUIT BOARD 220/230V, 200W	
127	86372960	4099ER	BRUSH ASSEMBLY CPL 18"	
128	86001640	4028	BRUSH STRIP, 18" MODEL U19840	
129	86363310	20123ER	BEARING BLOCK L.H.	
130	86407900	20117EK	BEARING BLOCK R.H., BLACK	
131	86407910	20120EK	BRUSH ROLLER RELEASE, KARCHER GRAY	
131a	86363340	20121ER	SPRING	
132	86145450	2653hg	SUPPORT LEVER	
133	86345580	2651	RETURN SPRING	
134	86408180	20221BGP	POWER HEAD COVER VSP18, BASALT GRAY	
135	86407930	20118EK	SIDE PLATE, BLACK	
136	86144790	01017ER	SCR, 4X20-T20 STS	
137	86144850	0197ER	SCR,M4X12 MM W/WASHER	
138	86363370	01036ER	SCREW M4 X 14	
139	86147170	0176	SCREW M4 X 30	
140	86147030	0102ER	SCR, M3,9 X 13 MM DIN 7981	
141	86407940	20124EK	ACCESS DOOR, ZINC YELLOW	
142	86363400	20127ER	LEVER	

Wiring Diagram



Suggested Spare Parts

PART NO.	PRV NO.	DESCRIPTION	SERIAL NO. FROM	NOTES
86000500	5300	SENSOR FILTER BAG PACK (10PK)		
86141370	1878	EXHAUST FILTER 370/470		
86143430	1825	MOTOR FILTER		
86138220	2923	BELT, 333 3M HTDII-6		
86408890	1874/1dg	CABLE VSP W/AUS PLUG		
86002440	2046	BRUSH STRIP, 14"		
86001640	4028	BRUSH STRIP, 18" MODEL U19840		

