



Electronic Service Manuals

This electronic document is provided as a service to our customers. We do not create the contents of the information contained in this document. Should you have detailed questions pertaining to the information contained in this document, you may contact Michco, or the manufacturer which provided the original information in this electronic deliverable. Michco's only part in this electronic deliverable was the electronic assembly process. By providing this manual on line we are not guaranteeing parts availability.

You may contact Michco through the following methods:

Phone (517) 484-9312 or (800) 331-3339

2011 N. High St. -- Lansing, Michigan -- 48906

Fax: (517) 484-9836

Email: CustServe@Michco.com

Web site: www.Michco.Com

Parts Web site: www.FloorMachineParts.Com

Order Parts on Line at:

www.FloorMachineParts.Com

Directly to Parts & Service:

By Email: **Shop@Michco.com**

By Fax: (517) 702-2041

By Voice: Use numbers above.

Serving the Cleaning Industry Since 1922

Notice: All copyrighted material remains property of original owners, all trademarks are property of respective owners. Manuals are subject to Manufacturer's reproduction limitations. Originals or reproductions were provided by manufacturers through a request. We make no warranty as to the correctness of information provided in this document and you assume all risk. By placing these manuals on line we are not declaring our corporation to be an manufacturer authorized dealer or provider, please check our web site for authorized manufacturers we represent.

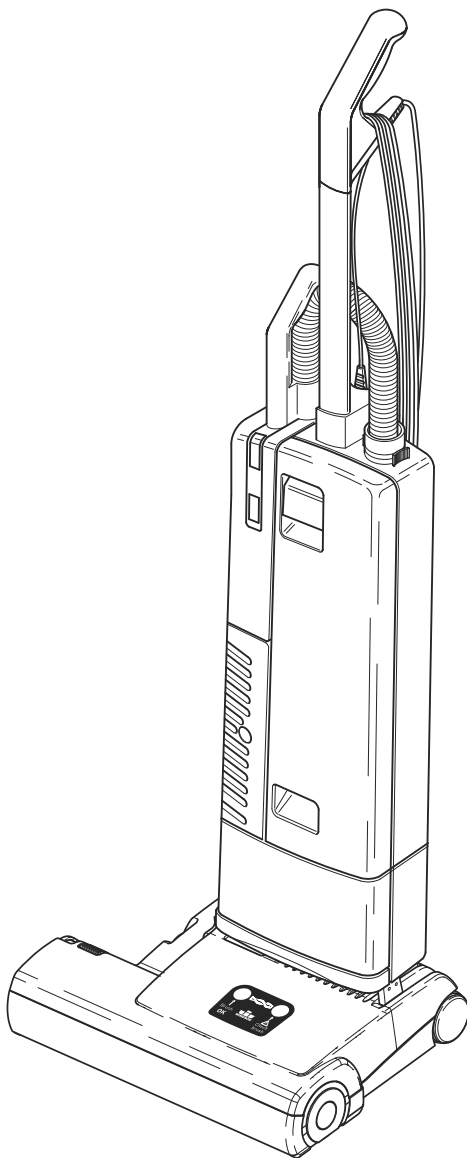
VERSAMATIC 120V *plus*



Operating instructions (ENG)

MODELS: 1.012-052.0
 VSP14

 1.012-053.0
 VSP18



Read these instructions before using the machine.

Machine Data Label

Model: _____

Date of Purchase: _____

Serial Number: _____

Dealer: _____

Address: _____

Phone Number: _____

Sales Representative: _____

Warranty Registration

Thank you for purchasing a Windsor product. Warranty registration is quick and easy. Your registration will allow us to serve you better over the lifetime of the product.

To register your product go to:
www.windsorind.com/WarrantyRegistration.aspx

For customer assistance:
1-800-444-7654



Machine Data Label 2
Table of Contents 3
How To Use This Manual 4

Safety

IMPORTANT SAFETY INSTRUCTIONS 5
GROUNDING INSTRUCTIONS 7

Operations

Components 8
Assembling The Vacuum Cleaner 9
Brush Controller 10
Filter Level Indicator 10
Swivel Neck Latch. 10

Maintenance

Changing The Brush Strip. 11
Changing The Paper Bag 11
Changing The Motor Filter 11
Changing Exhaust Filter 12
Clearing Blockages 12
Replacing The Printed Circuit Board. 13
Replacing Vacuum Motor 13
Changing The Brush Roller. 14
Replacing The Brush Roller Pulley 14
Replacing The Swivel Neck 14
Removing The Swivel Neck Cover 15
Changing The Electronic Controller 15
Replacing the Foot Pedal 15
Troubleshooting 16
Technical Data (VSP 14 (VSP 18) 16

Parts List

Tools, Bags & Filters 18
Upper Housing 20
Power Head-VSP 14 22
Power Head-VSP 18 24
Wiring Diagram 26
Suggested Spare Parts 27

How To Use This Manual

This manual contains the following sections:

- How to Use This Manual
- Safety
- Operations
- Maintenance
- Parts List

The HOW TO USE THIS MANUAL section will tell you how to find important information for ordering correct repair parts.

Parts may be ordered from authorized dealers. When placing an order for parts, the machine model and machine serial number are important. Refer to the MACHINE DATA box which is filled out during the installation of your machine. The MACHINE DATA box is located on the inside of the front cover of this manual.

Model: _____
Date of Purchase: _____
Serial Number: _____
Dealer: _____
Address: _____
Phone Number: _____
Sales Representative: _____

The model and serial number of your machine is located on the bottom-back of the machine.

The SAFETY section contains important information regarding hazardous or unsafe practices of the machine. Levels of hazards are identified that could result in product damage, personal injury, or severe injury resulting in death.

The OPERATIONS section is to familiarize the operator with the operation and function of the machine.

The MAINTENANCE section contains preventive maintenance to keep the machine and its components in good working condition. They are listed in this general order:

- Dust Bag
- Filters
- Blockage
- Brush strips
- Troubleshooting

The PARTS LIST section contains assembled parts illustrations and corresponding parts list. The parts lists include a number of columns of information:

- **REF** – column refers to the reference number on the parts illustration.
- **PART NO.** – column lists the part number for the part.
- **PRV NO.** – reference number.
- **DESCRIPTION** – column is a brief description of the part.
- **NOTES** – column for information not noted by the other columns.

NOTE: If a service or option kit is installed on your machine, be sure to keep the KIT INSTRUCTIONS which came with the kit. It contains replacement parts numbers needed for ordering future parts.

NOTE: The manual part number is located on the lower left corner of the front cover.

IMPORTANT SAFETY INSTRUCTIONS

**When using this machine, basic precaution must always be followed, including the following:
READ ALL INSTRUCTIONS BEFORE USING THIS MACHINE.**

⚠ WARNING: To reduce the risk of fire, electric shock, or injury:

1. Do not leave appliance when plugged in. Unplug from outlet when not in use and before servicing.
2. Do not use outdoors or on wet surfaces.
3. Do not use near small children. Do not allow to be used as a toy. Close attention is necessary when used by or near children.
4. Use only as described in this manual. Use only manufacturer's recommended attachments.
5. Do not use with damaged cord or plug. If appliance is not working as it should, has been dropped, damaged, left outdoors, or dropped into water, return it to a service center.
6. Do not pull or carry by the cord, use cord as a handle, close a door on cord, or pull cord around sharp edges or corners. Do not run appliance over cord. Keep cord away from heated surfaces.
7. Do not unplug by pulling on cord. To unplug, grasp the plug, not the cord.
8. Do not handle plug or appliance with wet hands.
9. Do not put any object into openings. Do not use with any opening blocked; keep free of dust, lint, hair, and anything that may reduce air flow.
10. Keep hair, loose clothing, fingers and all parts of body away from openings and moving parts. Do not place fingers or other body parts under vacuum unless unplugged.
11. Do not pick up anything that is burning or smoking, such as cigarettes, matches, or hot ashes.
12. Do not use without dust bag and/or filters in place. Do not wash filters.
13. Turn off all controls before unplugging.
14. Use extra care when cleaning on stairs. Do not use to pick up flammable or combustible liquids such as gasoline or use in areas where they may have been present.
15. Machines can cause fire when operated near flammable vapors or materials. Do not operate this machine near flammable fluids, dust or vapors.
16. Maintenance and repairs must be done by qualified personnel.
17. Connect to a properly grounded outlet only. See Grounding Instructions.
18. Do not use machine as a step.
19. If used on plush carpet or carpet with thick padding, do not leave machine in one place with machine turned on.
20. Do not use the handle in the dust bag housing to carry the machine.

READ AND SAVE THESE INSTRUCTIONS

IMPORTANT SAFEGUARDS

Accidents due to misuse can only be prevented by those using the machine. To guard against injury, basic safety precautions should be observed, including the following:

Read and follow all safety instructions.

⚠ WARNING: Electric shock could occur if used outdoors or on wet surfaces.

The vacuum cleaner is designed to be safe when used to perform cleaning functions. Should damage occur to electrical or mechanical parts, cleaner should be repaired by a competent service center before using in order to avoid further damage to machine or physical injury to user.

A damaged power cord could cause electrical shock and/or fire. To minimize this possibility observe the following precautions:

- ◆ Do not run cleaner over power cord.
- ◆ Avoid closing doors on power cord pulling it around sharp edges, or placing sharp-edged objects upon it.
- ◆ Wind cord no tighter than is necessary to retain it on the cord hooks.
- ◆ When disconnecting power cord from electrical outlet, grasp the plug. Pulling it out by the cord itself can damage cord insulation and internal connections to plug.

Your vacuum cleaner creates suction and contains a revolving brush. To avoid bodily injury from suction or moving parts, vacuum cleaner brush should not be placed against, or in close proximity of loose clothing, jewelry, hair or body surfaces while cleaner is connected to electrical outlet. Cleaner should not be used to vacuum clothing while it is being worn. Keep children away from machine when in operation or plugged in.

If used on plus carpet or carpet with thick padding, turn off unit when handle is in upright position. When using accessory tools, keep floor bush off carpet by keeping handle in locked position and lowering handle with one hand to raise bush off floor. Operate accessories with other hand.

Always plug your cleaner into a standard wall outlet. Use of extension cord or light socket with inadequate current-carry capacity could result in electric shock or fire hazard.

Disconnect cleaner from electrical outlet before servicing, such as changing bags or belts. You could receive bodily injury from moving parts of machine should switch accidentally turned on. Disconnect cleaner from electrical outlet before detaching power head.

Do not use your vacuum cleaner in areas where flammable and/or explosive vapor or dust is present to avoid possibility of fire or explosion. Some cleaning fluids can produce such vapors. Areas on which cleaning fluids have been used should be completely dry and thoroughly aired before being vacuumed.

To avoid fire hazard, do not pick up matches, fireplace ashes, or smoking material with cleaner.

Keep your work area well lighted to avoid picking up harmful materials (such as liquids, sharp objects, or burning substances) and avoid tripping accidents.

Use care when operating the cleaner on irregular surfaces such as stairs, as falling cleaner could cause bodily injury and/or mechanical damage. Proper storage of machine in an out-of-way area immediately after use will also prevent accidents caused by tripping over cleaner.

Store your vacuum indoors in a cool, dry area not exposed to the weather to avoid electrical shock and/or cleaner damage.

Exercise strict supervision to prevent injury when using vacuum cleaner near children or when child is allowed to operate vacuum cleaner. Do not allow children to play with vacuum cleaner and never leave cleaner plugged in and unattended.

SAVE THESE INSTRUCTIONS

GROUNDING INSTRUCTIONS

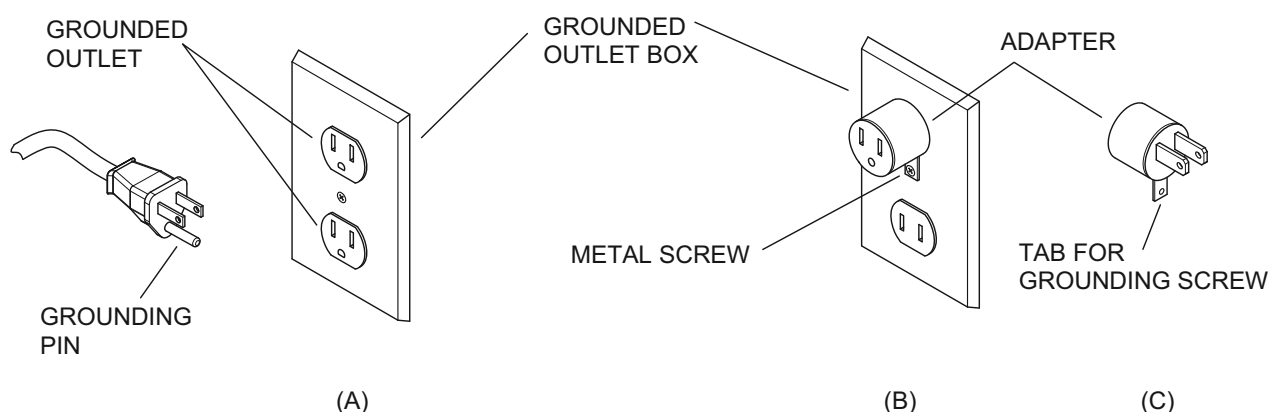
This appliance must be grounded. If it should malfunction or breakdown, grounding provides a path of least resistance for electric current to reduce the risk of electric shock. This appliance is equipped with a cord having an equipment-grounding conductor and grounding plug. The plug must be inserted into an appropriate outlet that is properly installed and grounded in accordance with all local codes and ordinances.

! WARNING:

Improper connection of the equipment-grounding conductor can result in a risk of electric shock. Check with a qualified electrician or service person if you are in doubt as to whether the outlet is properly grounded. Do not modify the plug provided with the appliance - if it will not fit the outlet, have a proper outlet installed by a qualified electrician.

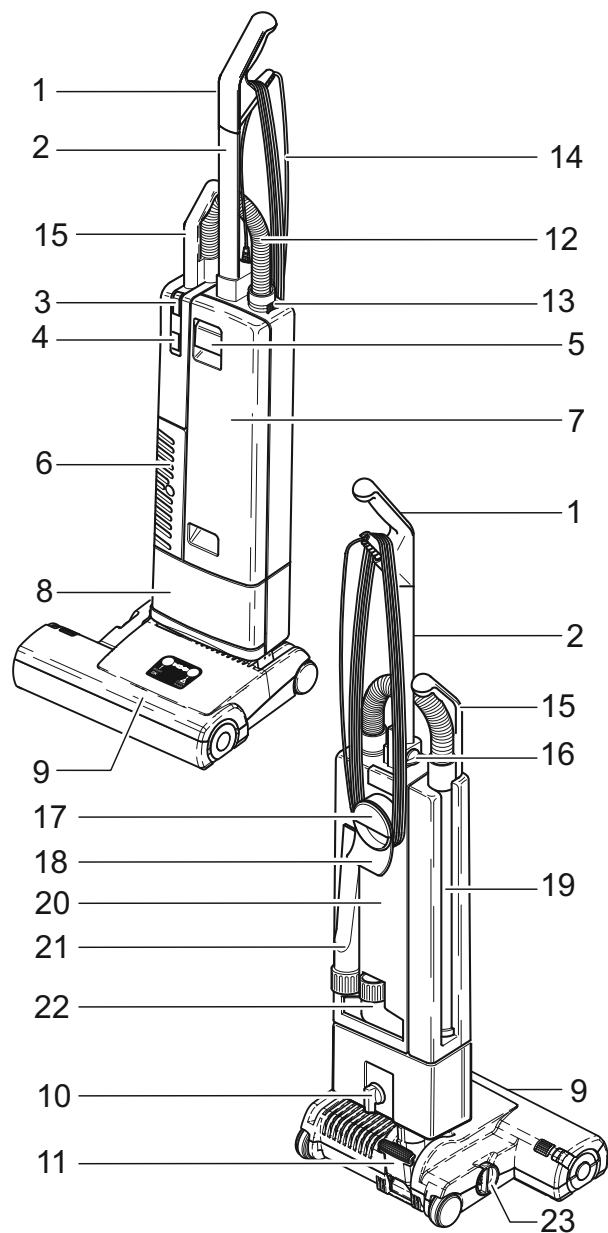
This appliance is for use on a nominal 120-volt circuit, and has a grounded plug that looks like the plug illustrated in sketch A. A temporary adaptor looks like adaptor illustrated in sketches B and C, may be used to connect this plug to a 2-pole receptacle as shown in sketch B if a properly grounded outlet is not available. The temporary adaptor should be used only until a properly grounded outlet (sketch A) can be installed by a qualified electrician. The green colored rigid ear, lug or the like extending from the adaptor must be connected to a permanent ground such as a properly grounded outlet box cover. Whenever the adaptor is used, it must be held in place by a metal screw.

Note: In Canada, the use of a temporary adaptor is not permitted by the Canadian Electrical Code.



Operations

Components



1. Handle grip
2. Handle assembly
3. Bag full indicator
4. On / Off switch
5. Cover release latch
6. Exhaust filter cover
7. Front cover
8. Motor cover
9. Power head
10. Locking catch
11. Foot pedal
12. Hose
13. Retaining ring
14. Cable
15. Attachment tube handle
16. Handle catch
17. Carrying handle
18. Cable hook
19. Attachment tube
20. Dust bag housing
21. Crevice nozzle
22. Upholstery nozzle
23. Pile adjustment knob

Assembling The Vacuum Cleaner

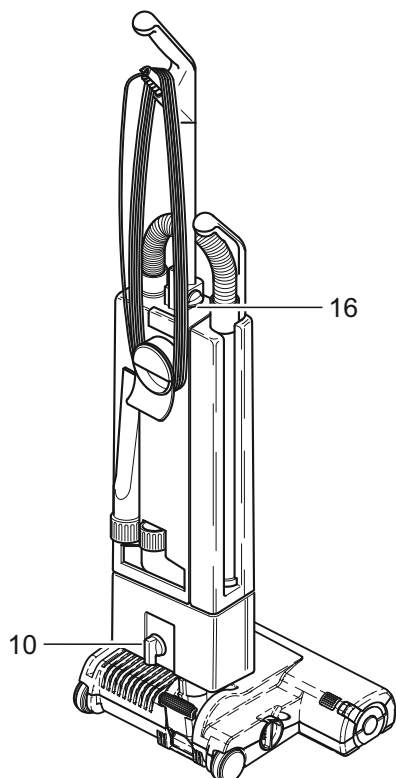
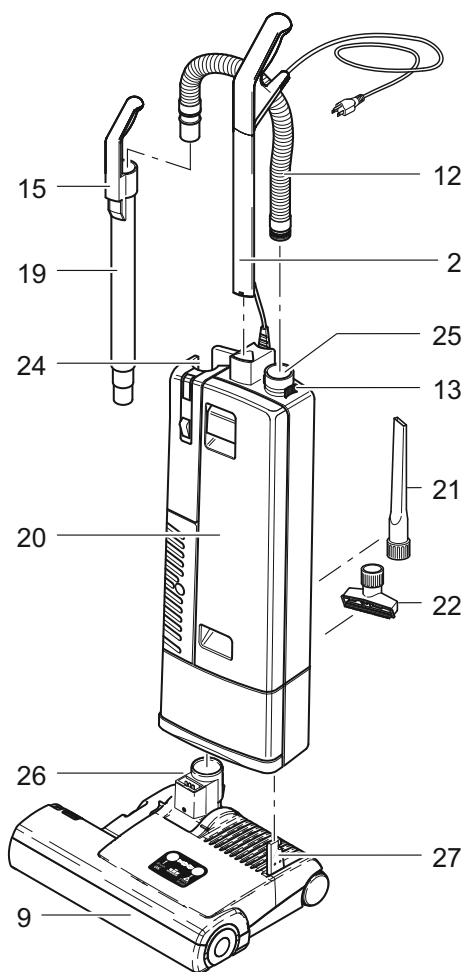
Put the power head (9) on the floor with swivel neck (26) and support lever (27) in upright position.

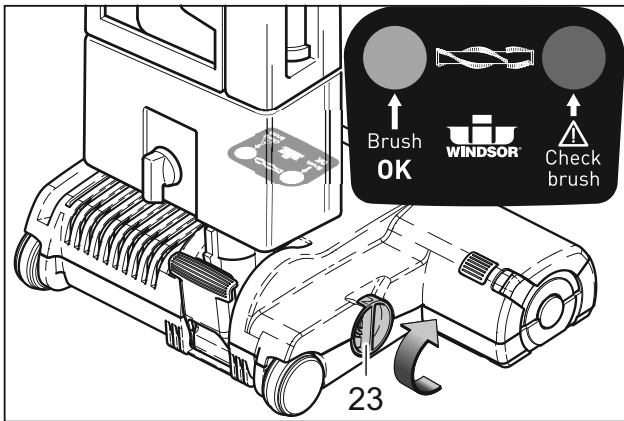
Turn the locking catch (10) on the filter bag housing (20) to the left and place the housing carefully on the swivel neck and the support lever.

NOTE: Ensure that the catch is engaged.

To lock the handle turn the handle catch (16) at the handle joint of the filter bag housing (20) forward, then slide the handle assembly (2) in as far as possible and lock it with the handle catch (16).

Insert the attachment tube (19) into its storage position on the side of the machine. The attachment tube handle (15) must be placed on the tab (24). Slide the proper end of the hose into the filter bag housing, insert the black hose end into the connecting tube (25) and slide it in completely. To unlock the hose press the retaining ring (13) at the housing connection.





Brush Controller

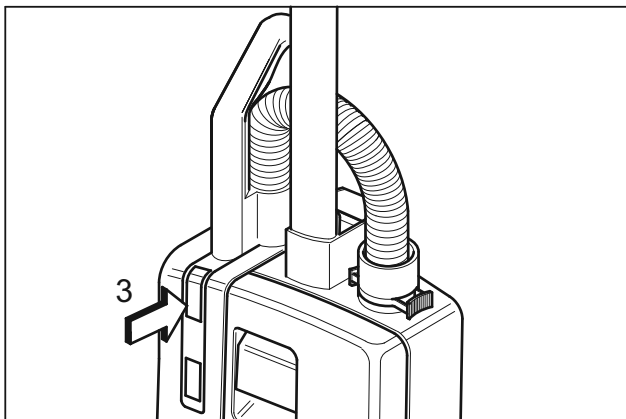
The electronic brush controller monitors the operation of the brush.

Green light: Brush set correctly and running.

Green and red light: Brush too high. Adjust the brush setting by turning the pile adjustment knob (19) to lower setting.

If the green and red light are still on at position number one the brush strip is worn out and must be replace.

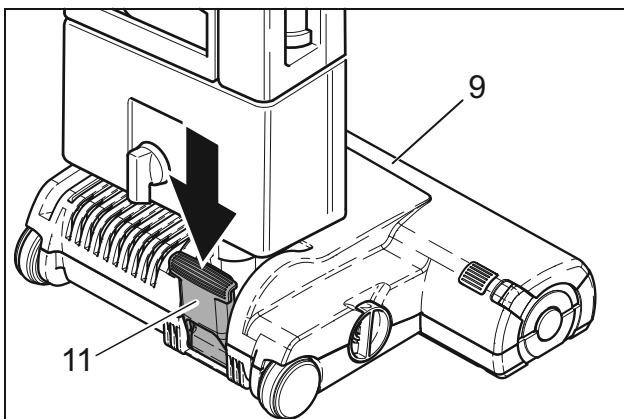
Red light blinking: The brush is blocked and is not turning. Switch machine off, unplug from the socket and clear the blockage.



Filter Level Indicator

If warning light (3) comes on check:

- Is the dust bag full?
- Is there a blockage in the hose (12) or power head (9)?

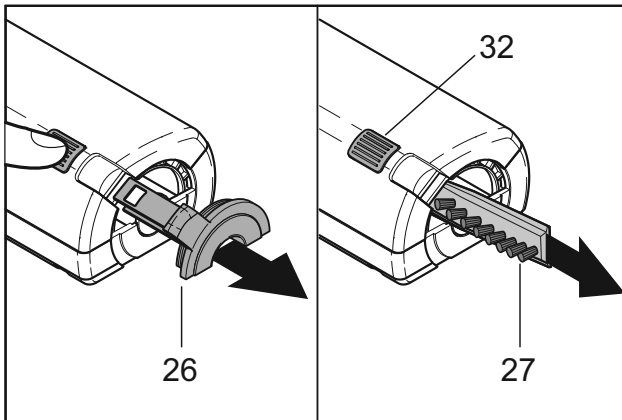


Swivel Neck Latch

To release the machine from the upright position depress the foot pedal (11).

⚠ WARNING:

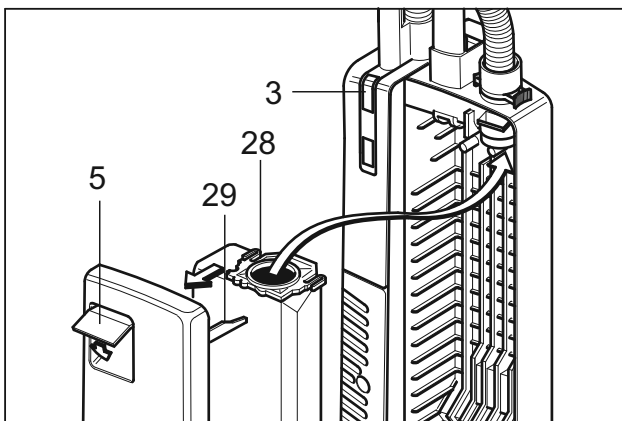
Unplug machine from electrical outlet before doing any maintenance.



Changing The Brush Strip

To replace brush strip, push button (32), remove the side plate (26) and rotate the brush so that the brush strip (27) can be pulled out of the opening. Ensure that the new brush strip is fully inserted, then press the side plate back into place.

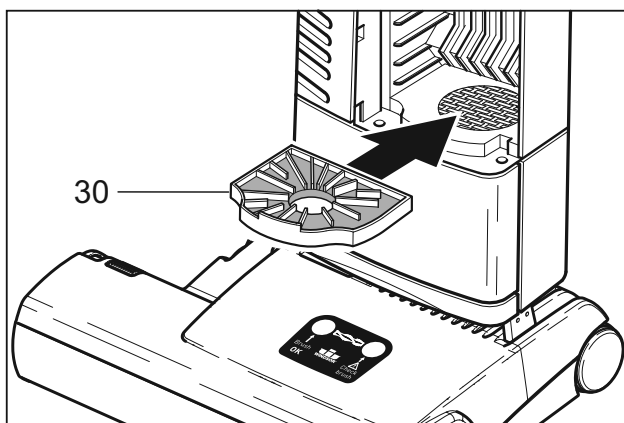
NOTE: Ensure plate is locked in place.



Changing The Paper Bag

If red light (3) shows, change paper filter bag.

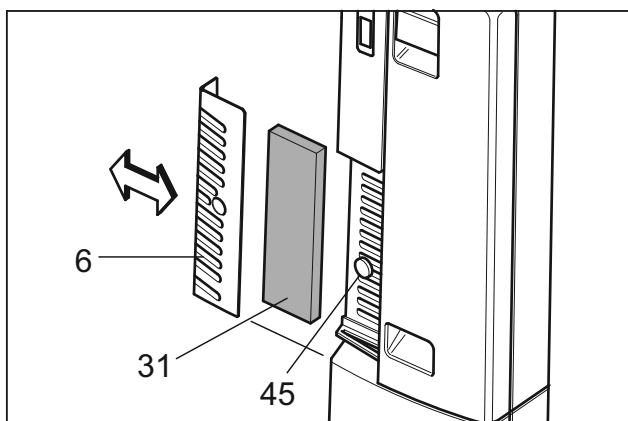
Pull cover release latch (5) forward and lift the cover from the dust bag housing. Slide the dust bag sealing plate (28) from the holder (29). Slide the sealing plate (28) of a new bag into the holder and push firmly in. Insert cover into dust bag housing. Push it forward then lock it in place by pushing down the cover release latch.



Changing The Motor Filter

Motor filter (30) should to be replaced after 20 filter bags have been used. Lift the front of the filter slightly and slide it out of the slot. Install new filter and press firmly ensuring filter is completely in place.

NOTE: Hospital grade filters are available.



Changing Exhaust Filter

Change the exhaust filter (31) always with the motor filter (30). Press the button and slide the exhaust cover (6) to the side.

! CAUTION:

Never use the machine without correctly installing the filters.

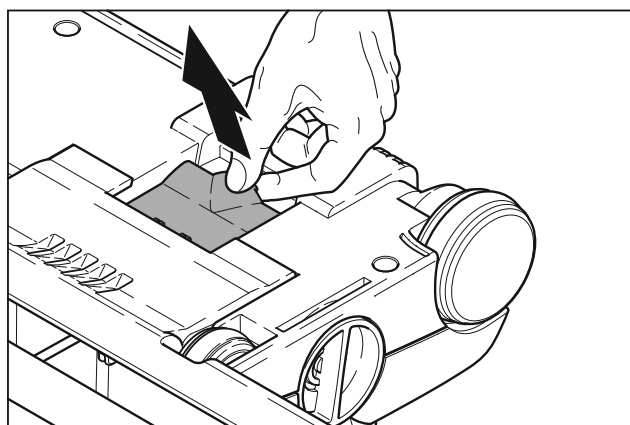
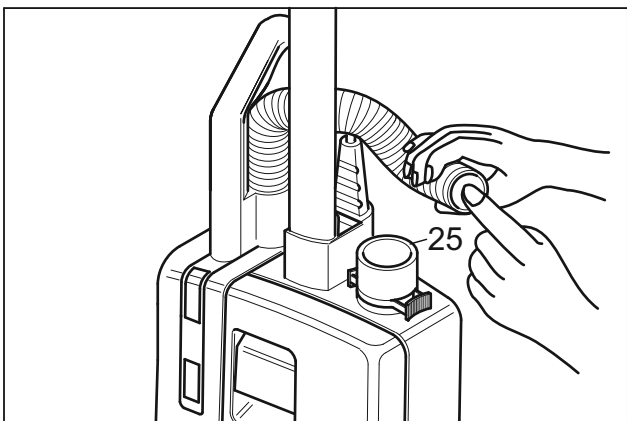
Clearing Blockages

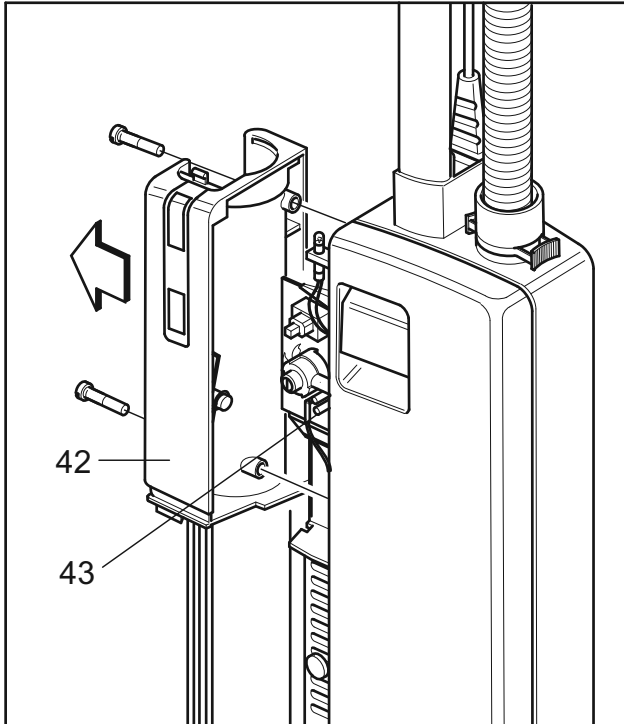
Visually check the hose, and connecting tube (25) for blockages. Blockages in the hose can be cleared by, holding it upright with one hand, blocking the top and switching on the machine. If necessary rapidly lift your hand on and off the end of the hose.

Check for blockage in the swivel neck of the power head and under the orange trap door located on the bottom of the power head.

Check the passage between the two openings in the power head for blockage also.

NOTE: Never use a stick or sharp object to clear the hose



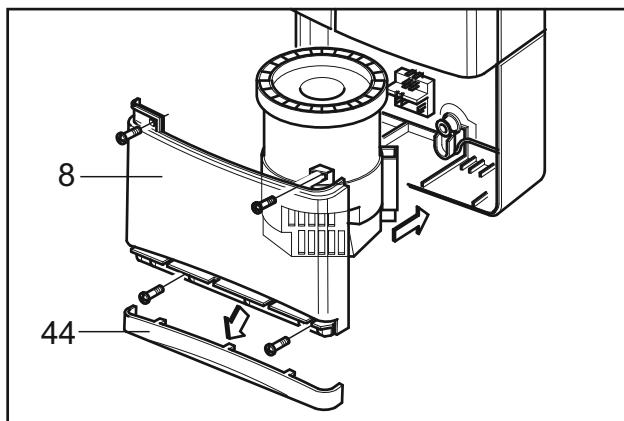


Replacing The Printed Circuit Board

Remove Exhaust Filter Cover (6).

Remove the three screws on the vacuum tube cover (42). Disconnect the wires and slide the circuit board (43) out.

Install new board, attach wires and install cover.

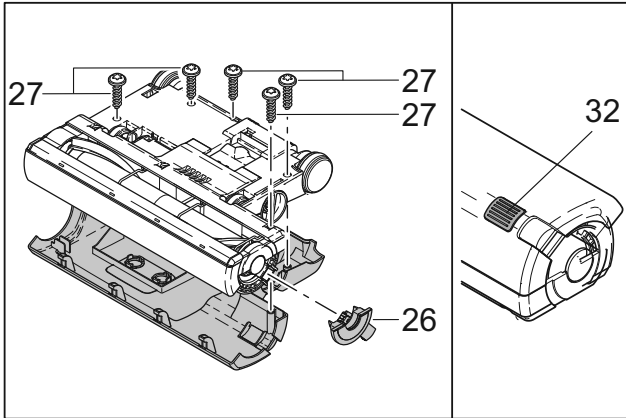


Replacing Vacuum Motor

Remove the power head from the upper body.

Remove the dust bag housing bumper (44) and remove the four screws on the motor cover (8).

Slide vacuum motor out and install new motor. Re-assemble cover and bumper.

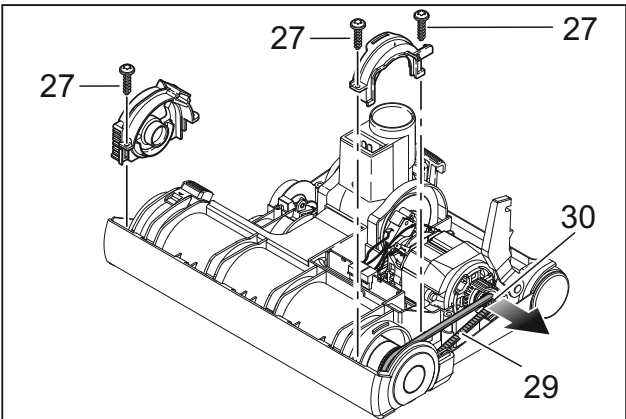


Changing The Brush Roller

Remove the power head from the upper body.

To remove the power head cover, push the button (32), remove the side plate (26) and remove the four (VSP14) or five (VSP18) large screw (27) from underneath the chassis. The cover and the button (32) can then be lifted off.

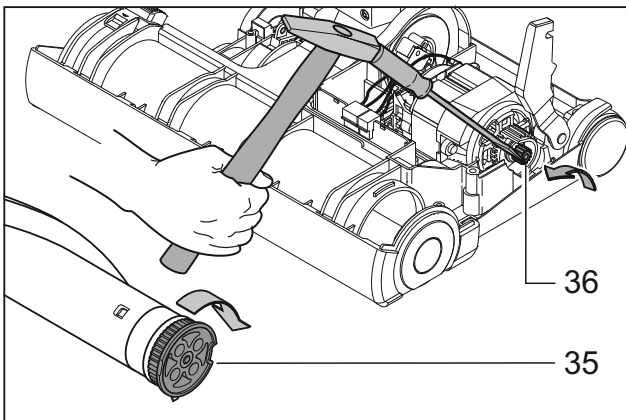
Push the belt (29) off the motor pulley (3), remove the bumper (41). Remove the three screws from both brush bearing blocks (42 & 43). Lift the bearing blocks out and replace the brush roller. Re-assemble bearing blocks, bumper, install belt, side plate and cover. Attach upper body to power head.



Replacing The Brush Roller Pulley

To remove the brush roller pulley (35) hold the roller in one hand and turn the pulley in a clockwise direction.

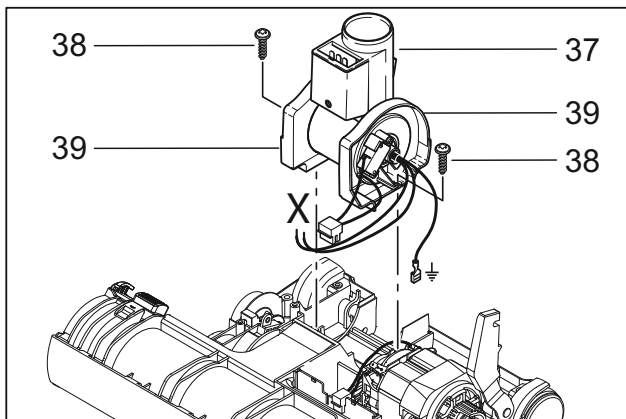
To remove the motor pulley (36), insert a screw driver into a groove and give a light tap in a counterclockwise direction. The loosened pulley can then be removed.

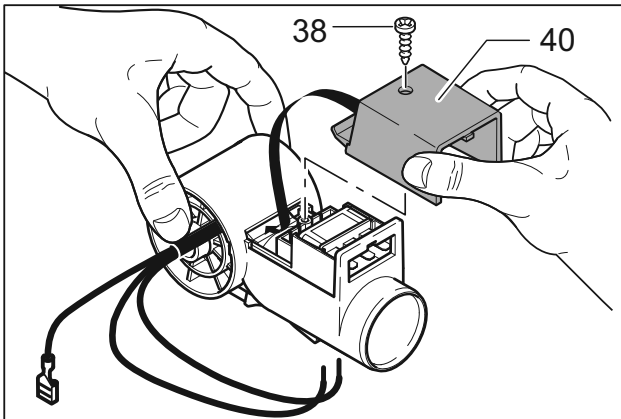


Replacing The Swivel Neck

To remove the swivel neck (37) take out the two small screws (38) from the swivel neck supports (39) then lift the swivel neck assembly from the chassis.

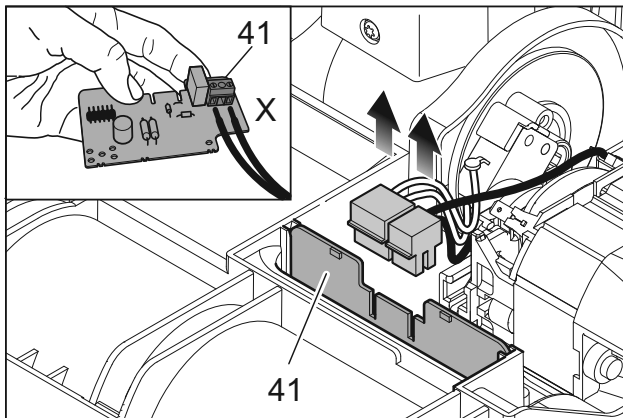
NOTE: On re-assembly ensure that the wires from the swivel neck are not trapped when the power head cover is replaced.





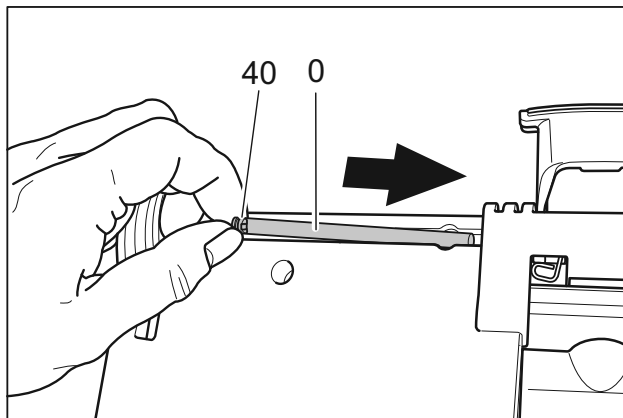
Removing The Swivel Neck Cover

To remove the swivel neck cover, take out the retaining screw and slide the cover (40) downwards then lift out. On re-assembly check that the wires do not become trapped.



Changing The Electronic Controller

To change the electronic controller (41), disconnect the lead from the motor. Lift the controller upwards and then disconnect the lead from the swivel neck.



Replacing the Foot Pedal

Remove the power head from the upper housing. Remove the cover from the power head. Remove the retaining screw. Insert a screw driver in the notch on the axle and slide the axle out. Remove and replace foot pedal. Re-assemble.

NOTE: Ensure that at re-assembly, the axle (0) notch (40) is visible as shown

Notes:**Troubleshooting**

| PROBLEM | CAUSE | SOLUTION |
|---|--------------------------------------|--|
| Brush not turning | Hose nozzle not far enough into neck | Reposition hose nozzle into neck |
| | Brush jammed | Turn off machine, clear brush and restart |
| | Brush strip not fully inserted | Push brush strip in all the way |
| | Broken belt | Replace belt |
| Red light stays on at lowest brush setting (#1) | Brush worn | Replace brush strip |
| Full bag light on, or poor suction | Full dust bag | Replace bag |
| | Hose clogged | Remove and clean hose |
| | Neck clogged | Disconnect floor head from vac tank and clean neck |
| | Bag not properly installed | Re-insert bag correctly |
| | Exhaust or motor filter clogged | Clean or replace filter |
| | Back cover leaking air | Re-Install dust bag, motor filter and back cover to ensure tight fit all around |
| Full bag light off when vacuum hose is blocked or bag is full | Sensor out of adjustment | Remove back door and use small screwdriver to turn screw behind light, counter-clockwise |
| Back door won't close | Bag not properly installed | Re-insert bag correctly |
| | Motor filter not in position | Re-insert filter correctly |
| Machine won't turn on | Faulty electrical circuit | Have machine check by qualified service person |

Technical Data (VSP 14 (VSP 18))

| ITEM | DIMENSION/CAPACITY |
|--------------|---|
| Voltage | 120V, 60 hz |
| Vacuum floor | 8,6 amp |
| Air flow | 117 cfm |
| Dust bag | 1,3 gal, 3-layer |
| Brush motor | 1,4 (1,8) amp |
| Brush width | 12 3/4 (16/3/4) inches |
| Brush drive | Non slip drive belt with electronic overload protection |
| Brush strip | Replaceable |
| Height | 48 inches |
| Width | 14 (18) lbs |
| Weight | 16 (18) lbs |

VERSAMATIC

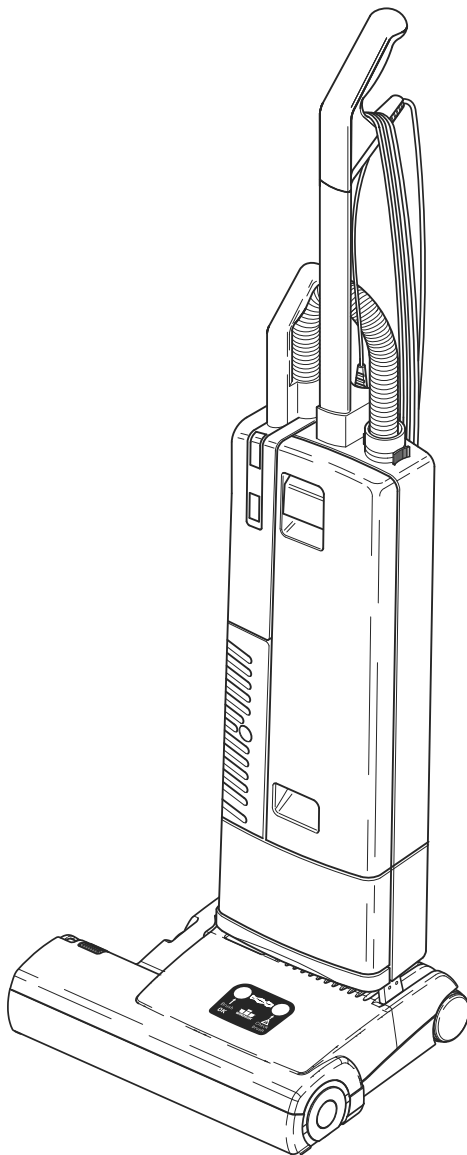
120 V

plus



Instrucciones de funcionamiento (ESP)

MODELOS: 1.012-052.0
VSP14
1.012-053.0
VSP18



Lea las instrucciones antes de utilizar la máquina



Etiqueta de Datos de la Máquina

Modelo: _____

Fecha de la compra: _____

Número de serie: _____

Distribuidor: _____

Dirección: _____

Nº de teléfono: _____

Representante de ventas: _____

Registro de Garantía

Gracias por comprar un producto Windsor. El registro de la garantía es rápido y fácil. Su registro nos permitirá brindarle un mejor servicio durante la vida útil del producto.

Para registrar el producto vaya a:

www.windsorind.com/WarrantyRegistration.aspx

Para el servicio de atención al cliente llame al:

1-800-444-7654



Etiqueta de Datos de la Máquina 2
Índice 3
Cómo utilizar el manual. 4

Seguridad

INSTRUCCIONES DE SEGURIDAD
 IMPORTANTES 5
 INSTRUCCIONES PARA CONECTAR EL EQUIPO
 A TIERRA 7

Operaciones

Componentes 8
 Ensamblado de aspiradora 9
 Controlador de cepillo 10
 Indicador del nivel del filtro 10
 Seguro del cuello giratorio 10

Mantenimiento

Cambio de la banda de cepillo 11
 Cambio de la bolsa de papel 11
 Cambio del filtro de motor 11
 Cambio del filtro de escape 12
 Desbloques 12
 Reemplazo de la placa de circuito impreso 13
 Reemplazo del motor de aspiración 13
 Cambio del rodillo de cepillo 14
 Reemplazo de la polea del rodillo
 de cepillo 14
 Reemplazo del cuello giratorio 14
 Remoción de la cubierta del cuello giratorio 15
 Cambio del controlador electrónico 15
 Reemplazo del pedal de pie 15
 Resolución de problemas 16
 Datos Técnicos (VSP 14 (VSP 18)) 16

Lista de piezas

Parts - Tools, Bags & Filters 18
 Upper Housing 20
 Power Head-VSP 14 22
 Power Head-VSP 18 24
 Wiring Diagram 26
 Suggested Spare Parts 27

Cómo utilizar el manual.

El manual contiene las siguientes secciones:

- Cómo utilizar el manual
- Seguridad
- Operaciones
- Mantenimiento
- Lista de piezas

La sección CÓMO UTILIZAR EL MANUAL le indica el modo de encontrar información importante para pedir las piezas de recambio correctas.

Las piezas deben ser solicitadas a distribuidores autorizados. Al realizar el pedido de piezas, es importante saber el modelo y el número de serie de la máquina. Consulte el cuadro DATOS DE LA MÁQUINA que se completa durante la instalación de la máquina. El cuadro DATOS DE LA MÁQUINA está situado en la parte interior de la cubierta frontal de este manual.

| |
|--------------------------------|
| Modelo: _____ |
| Fecha de la compra: _____ |
| Número de serie: _____ |
| Distribuidor: _____ |
| Dirección: _____ |
| Nº de teléfono: _____ |
| Representante de ventas: _____ |

El modelo y número de serie de su máquina están situados en el extremo inferior de la parte posterior de la máquina.

La sección SEGURIDAD contiene información importante acerca de los usos de la máquina que pueden resultar peligrosos o poco seguros. Se identifican niveles de riesgos que pueden ocasionar lesiones personales o daños en el producto, o lesiones graves que pueden provocar la muerte.

El objetivo de la sección FUNCIONAMIENTO es familiarizar al operario con el manejo y el funcionamiento de la máquina.

La sección MANTENIMIENTO incluye instrucciones sobre mantenimiento preventivo para mantener la máquina y sus componentes en buenas condiciones de funcionamiento. Están clasificadas en el siguiente orden general:

- Bolsa de polvo
- Filtros
- Bloqueo
- Bandas del cepillo
- Resolución de problemas

La sección LISTA DE PIEZAS contiene ilustraciones de las piezas ensambladas y la correspondiente lista de piezas. Incluye además varias columnas con información:

- **REF** - la columna indica el número de referencia en la ilustración de las piezas.
- **PART NO.** - la columna enumera el número de pieza.
- **PRV NO.** - N.º de referencia
- **DESCRIPTION** - la columna es una breve descripción de la pieza.
- **NOTES** - esta columna contiene la información no incluida en las otras columnas.

NOTA: Si en la máquina se incluye un juego de servicio u opciones, asegúrese de conservar las INSTRUCCIONES DEL JUEGO que acompañan al mismo. Éste contiene los números de piezas de recambio necesarias para solicitar piezas en el futuro.

NOTA: El número de pieza correspondiente al manual está ubicado en la esquina inferior izquierda de la tapa.

INSTRUCCIONES DE SEGURIDAD IMPORTANTES

Cuando se utilice la máquina, siempre se deben adoptar precauciones básicas, entre las que se incluye:

LEA TODAS LAS INSTRUCCIONES ANTES DE UTILIZAR LA MÁQUINA.

⚠ ADVERTENCIA: Para reducir el riesgo de incendio, descargas eléctricas y lesiones:

1. No deje la máquina enchufada. Debe desenchufarla cuando no se encuentra en uso y antes de repararla.
2. No la utilice en el exterior o en superficies mojadas.
3. No la utilice cerca de niños pequeños. No permita que se la emplee como juguete. Preste mucha atención cuando sea utilizada por niños o cerca de ellos.
4. Utilícela sólo del modo descrito en este manual. Utilice solamente los accesorios recomendados por el fabricante.
5. No la utilice si el cable o el enchufe están dañados. Si la máquina no funciona adecuadamente, se ha caído, ha sufrido daños, fue olvidada en el exterior, o ha caído al agua, llévela a un servicio técnico.
6. No empuje ni traslade la máquina usando el cable, no utilice el cable como manija, no enganche el cable con las puertas ni lo enrosque alrededor de bordes o ángulos filosos. No haga funcionar la máquina sobre el cable. Mantenga el cable alejado de las superficies calientes.
7. No desenchufe la máquina tirando del cable. Para desenchufarla, tire del enchufe, no del cable.
8. No manipule el enchufe ni la máquina con las manos húmedas.
9. No coloque objetos en las aberturas. No utilice la máquina si alguna de las aberturas está bloqueada, manténgala libre de polvo, pelusas, cabellos y de todos los objetos que pueden reducir el caudal de aire.
10. Mantenga el cabello, la ropa holgada, los dedos y todas las partes del cuerpo alejadas de las aberturas y las piezas móviles. No coloque los dedos ni otras partes del cuerpo debajo de la aspiradora a menos que se encuentre desenchufada.
11. No aspire objetos que estén ardiendo o humeando, como cigarrillos, cerillas o cenizas calientes.
12. No utilice la máquina si la bolsa o los filtros no están en su lugar. No lave los filtros.
13. Desconecte todos los controles antes de desenchufar la máquina.
14. Sea extremadamente precavido al limpiar escaleras. No utilice la máquina para aspirar líquidos inflamables o combustibles tales como gasolina ni la utilice en superficies en donde haya habido dichos líquidos.
15. La máquina puede provocar un incendio al funcionar cerca de vapores o materiales inflamables. No maneje la máquina cerca de fluidos, polvo o vapores inflamables.
16. Personal debidamente capacitado debe realizar el mantenimiento y las reparaciones.
17. Conecte únicamente a una toma conectada adecuadamente a tierra. Consulte las instrucciones de conexión a tierra.
18. No utilice la máquina como escalera.
19. Si se la utiliza sobre alfombras afelpadas o alfombras gruesas de fieltro no deje la máquina encendida en un solo lugar.
20. No use la manija en el alojamiento de la bolsa de polvo para empujar la máquina.

LEA Y GUARDE ESTAS INSTRUCCIONES

IMPORTANTES PRECAUCIONES

Los accidentes causados por el uso incorrecto del aparato sólo pueden ser prevenidos por las personas que utilizan la máquina. Para protegerse de posibles lesiones, se deben cumplir medidas de seguridad básicas entre las que se incluyen:

Lea y siga todas las instrucciones de seguridad.

⚠ ADVERTENCIA: Si se usa en el exterior o en superficies húmedas puede causar una descarga eléctrica.

El diseño de la aspiradora es seguro cuando el aparato se usa para efectuar funciones de limpieza. Si las partes mecánicas o eléctricas sufrieran algún daño, la aspiradora debe ser reparada por un centro de servicio técnico competente antes de volverla a usar a fin de evitar daños adicionales a la máquina o lesiones físicas al usuario.

Un cable eléctrico deteriorado puede provocar una descarga eléctrica y/o un incendio. Para disminuir esta posibilidad adopte las siguientes precauciones:

- ♦ No pase la aspiradora sobre conductores eléctricos.
- ♦ Evite enganchar el cable eléctrico con las puertas ni lo enrosque alrededor de bordes filosos o coloque objetos cortantes sobre él.
- ♦ Enrolle el cable sólo con la tensión necesaria para retenerlo en los respectivos ganchos.
- ♦ Cuando desconecte el cable eléctrico del tomacorriente, tire del enchufe. Si lo saca tirando del cable mismo se puede dañar el aislamiento del cable y las conexiones internas del enchufe.

La aspiradora origina una succión y contiene un cepillo giratorio. Para evitar que la succión o las piezas móviles causen lesiones corporales, el cepillo de la aspiradora no debe colocarse contra o muy cerca de la ropa, joyas, cabello o superficies corporales mientras el aparato está conectado al tomacorriente. La aspiradora no se debe usar para aspirar la ropa mientras ésta está en uso. Mantenga a los niños alejados de la máquina cuando está funcionando o enchufada.

Si se usa sobre una alfombra gruesa o acolchada, apague la unidad cuando la manija está en posición vertical. Cuando se usan las herramientas auxiliares, mantenga el manguito de piso lejos de la alfombra con la manija en posición trabada y baje la manija con la mano para levantar el manguito del piso. Opere los elementos accesorios con la otra mano.

Siempre enchufe la aspiradora en un tomacorriente de pared estándar. El uso de un cable de extensión o un tomacorriente muy liviano y con poca capacidad para el transporte de corriente eléctrica puede causar una descarga eléctrica o un incendio.

Desconecte la aspiradora del tomacorriente antes de efectuar reparaciones como cambiar las bolsas o correas. Las piezas en movimiento de la máquina podrían causarle lesiones corporales si el interruptor se accionara accidentalmente. Desconecte la aspiradora del tomacorriente antes de separar el cabezal de potencia.

No use la aspiradora en áreas donde haya vapores inflamables o explosivos o polvo a fin de evitar la posibilidad de un incendio o una explosión. Algunos líquidos de limpieza pueden causar tales vapores. Las áreas sobre las cuales se han utilizado líquidos de limpieza deben estar totalmente secas y bien aireadas antes de pasar la aspiradora.

Para evitar el peligro de incendio, no aspire con la aspiradora cerillas, cenizas de hogares o material humeante.

Mantenga su área de trabajo bien iluminada para evitar aspirar materiales dañinos (como líquidos, objetos cortantes o sustancias en combustión) y accidentes por tropiezos.

Tenga cuidado al operar la aspiradora sobre superficies irregulares como escaleras, ya que la caída de la aspiradora podría causar lesiones corporales y/o daños mecánicos. El almacenamiento adecuado de la máquina en un área específica inmediatamente luego del uso también evitará los accidentes causados por tropiezos con la máquina.

Guarde la aspiradora en interiores, en un área fresca y seca no expuesta a las condiciones climáticas para evitar descargas eléctricas y/o daños a la máquina.

Haga una estricta supervisión para evitar lesiones cuando la aspiradora se utiliza cerca de los niños o cuando se permite a un niño operar la aspiradora. No permita que los niños jueguen con la aspiradora y nunca deje el aparato enchufado y sin supervisión.

GUARDE ESTAS INSTRUCCIONES

INSTRUCCIONES PARA CONECTAR EL EQUIPO A TIERRA

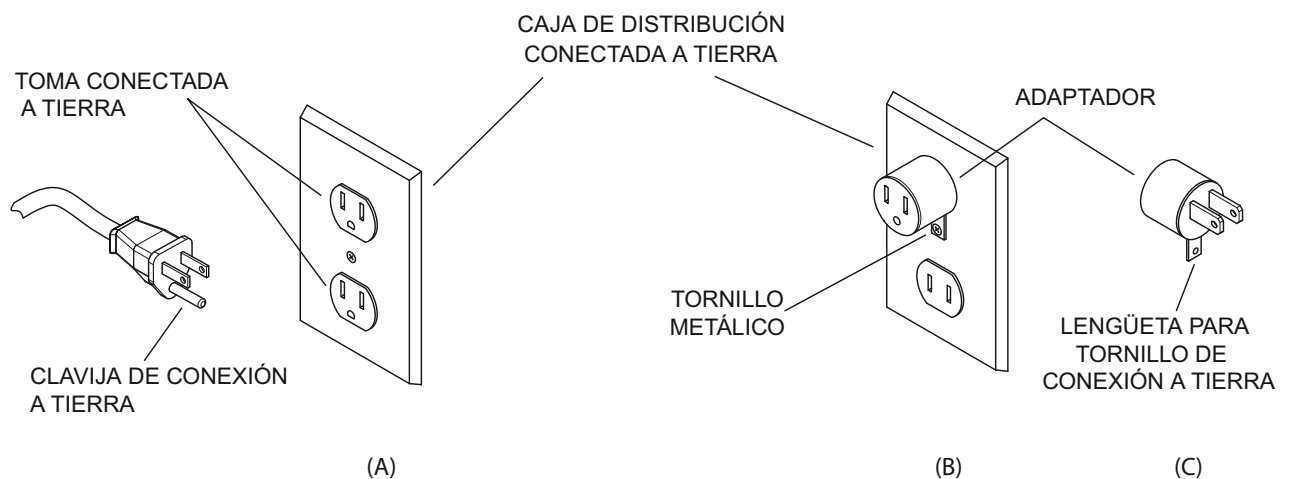
Este aparato debe estar conectado a tierra. En caso de un mal funcionamiento o una avería, la conexión a tierra brinda la posibilidad de una resistencia menor a la corriente eléctrica para reducir el riesgo de descarga eléctrica. Este aparato está equipado con un código que tiene un conductor y un enchufe para la conexión a tierra del equipo. El enchufe se debe insertar en un tomacorriente adecuado debidamente instalado y conectado a tierra de acuerdo con todos los códigos y ordenanzas locales.

⚠ ADVERTENCIA:

La conexión inadecuada del conductor con conexión a tierra del equipo conlleva el riesgo de descarga eléctrica. Si tiene alguna duda acerca de la debida conexión a tierra del tomacorriente consulte con un electricista o técnico calificado. No modifique el enchufe provisto con el aparato, si no cabe en el tomacorriente, indíquelo a un electricista calificado que le instale un tomacorriente adecuado.

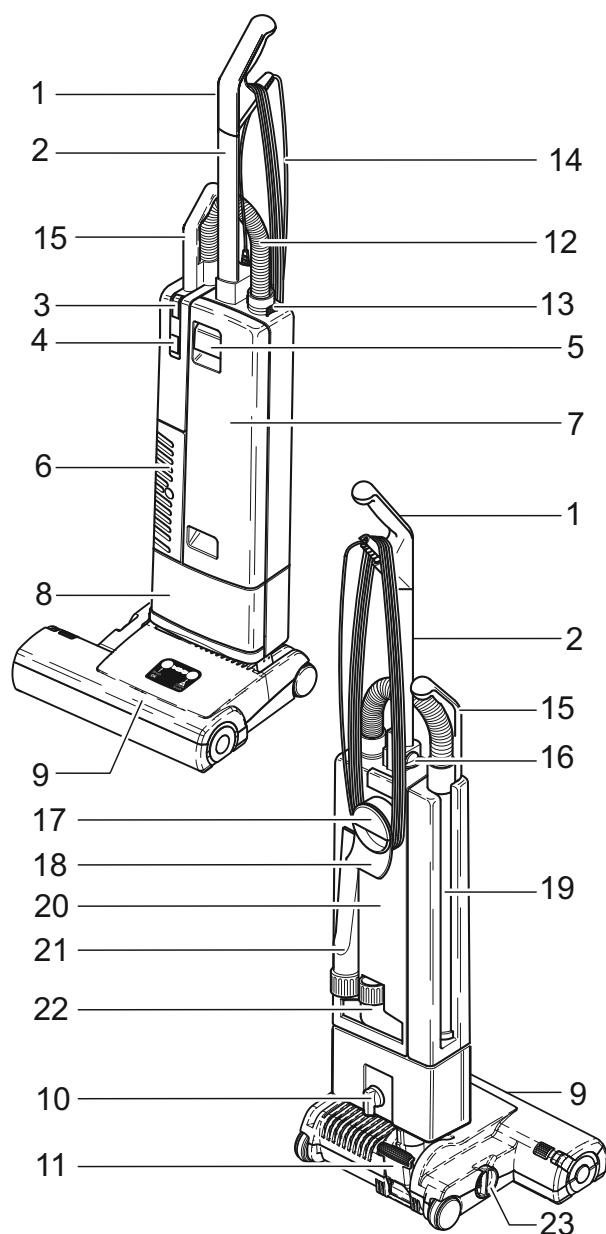
Este aparato se utiliza en un circuito de 120 volts nominal y posee un enchufe con conexión a tierra parecido al ilustrado en el boceto A. Se puede usar un adaptador temporario similar al adaptador ilustrado en los bocetos B y C para conectar este enchufe a un receptáculo de 2 polos como se muestra en el boceto B en caso de que no haya disponible un enchufe con conexión a tierra. El adaptador provisorio sólo se debe usar hasta que un electricista calificado instale un tomacorriente conectado a tierra (boceto A). La espiga rígida verde, la argolla o pieza similar que se extiende desde el adaptador debe conectarse a una conexión a tierra permanente como una tapa de la caja de distribución adecuadamente conectada a tierra. Cuando se usa el adaptador, se lo debe sujetar en su sitio mediante un tornillo metálico.

Nota: En Canadá, el Código Eléctrico Canadiense no permite el uso de un adaptador provisorio.



Operaciones

Componentes



1. Asa
2. Conjunto de manija
3. Indicador de bolsa llena
4. Interruptor de encendido/apagado
5. Seguro de liberación de cubierta
6. Cubierta de filtro de escape
7. Tapa frontal
8. Cubierta de motor
9. Cabezal de potencia
10. Pasador de bloqueo
11. Pedal de pie
12. Manguera
13. Anillo de retención
14. Cable
15. Manija tubular de sujeción
16. Pasador de manija
17. Manija de soporte
18. Gancho para cable
19. Tubo de sujeción
20. Alojamiento de la bolsa de polvo
21. Boquilla con hendidura
22. Boquilla para tapicería
23. Perilla de ajuste de pila

Ensamblado de aspiradora

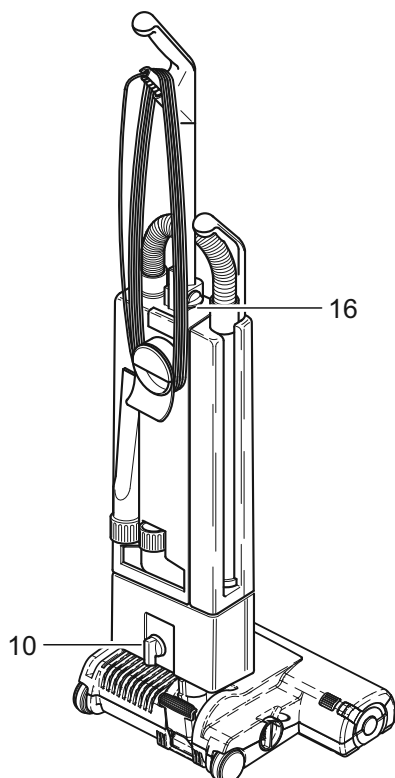
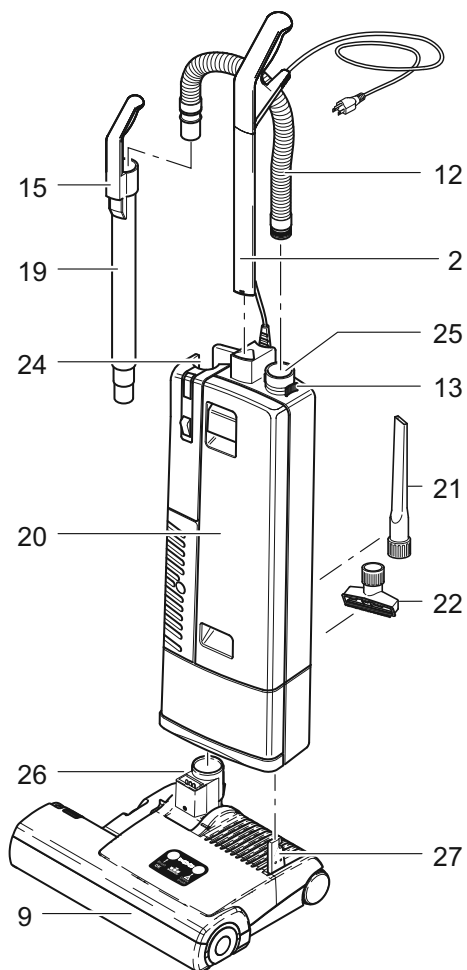
Ponga el cabezal de potencia (9) sobre el piso con el cuello giratorio (26) y la palanca de soporte (27) en posición vertical.

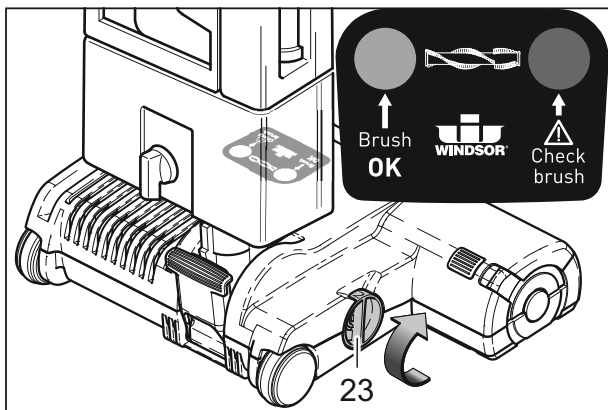
Gire el pasador de bloqueo (10) en el alojamiento de la bolsa de filtro (20) hacia la izquierda y coloque con cuidado el alojamiento sobre el cuello giratorio y la palanca de soporte.

NOTA: Asegúrese de que el pasador esté enganchado.

Para cerrar la manija gire hacia adelante el pasador de manija (16) en la conexión de manija del alojamiento de la bolsa de filtro (20), luego introduzca el conjunto de manija tan profundo como sea posible y asegúrelo con el pasador de manija (16).

Inserte el tubo de sujeción (19) en su posición de almacenamiento en el costado de la máquina. La manija tubular de sujeción (15) se debe colocar sobre la lengüeta (24). Coloque el extremo adecuado de la manguera dentro del alojamiento de la bolsa de filtro, inserte el extremo de la manguera negra en el tubo de conexión (25) e introdúzcalo completamente. Para destrabar la manguera presione el anillo de retención (13) en la conexión del alojamiento.





Controlador de cepillo

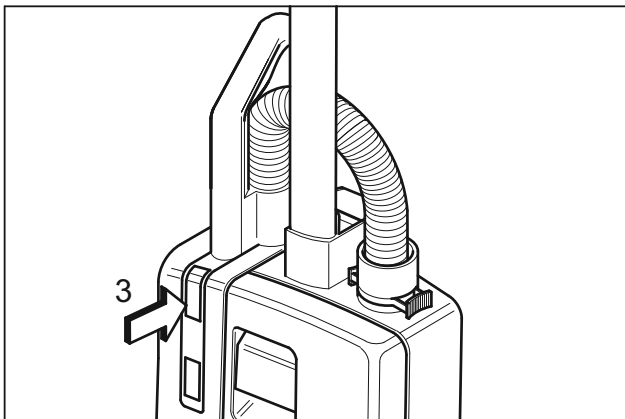
El controlador de cepillo electrónico supervisa el funcionamiento del cepillo.

Luz verde: El cepillo está bien colocado y funciona correctamente.

Luz verde y roja: El cepillo está demasiado alto. Ajuste la configuración del cepillo girando la perilla de ajuste de pila (19) en un parámetro más bajo.

Si la luz verde y roja todavía están encendidas en la posición uno, la banda del cepillo está desgastada y se debe reemplazar.

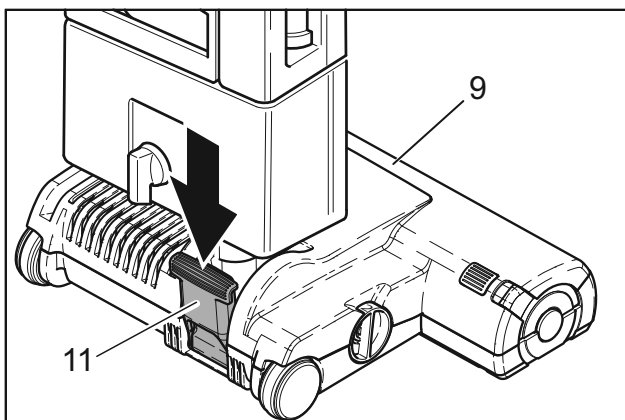
Luz roja centelleante: El cepillo está bloqueado y no funciona. Apague la máquina, desenchufe desde el tomacorriente y desbloquee la obstrucción.



Indicador del nivel del filtro

Si se enciende la luz de advertencia (3) verifique lo siguiente:

- ¿Está llena la bolsa?
- ¿Hay un bloqueo en la manguera (12) o el cabezal de potencia (9)?

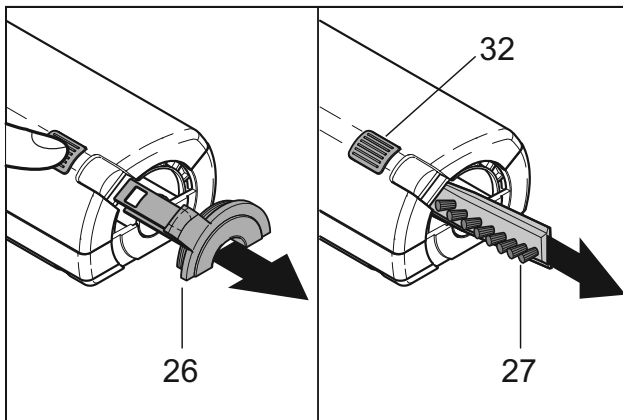


Seguro del cuello giratorio

Para liberar la máquina de la posición vertical suelte el pedal de pie (11).

⚠ ADVERTENCIA:

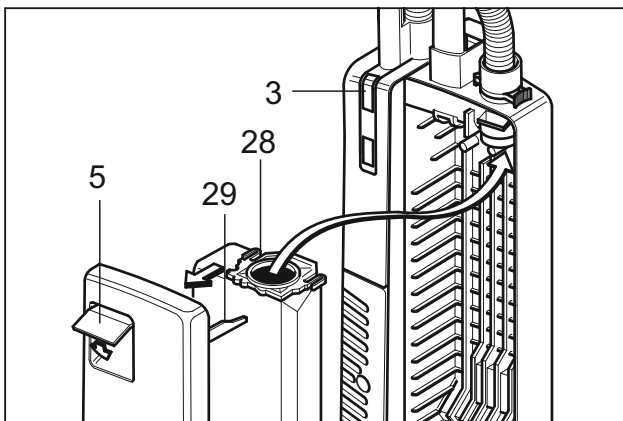
Desenchufe la máquina del tomacorriente antes de realizar cualquier tarea de mantenimiento.



Cambio de la banda de cepillo

Para cambiar la banda de cepillo, presione el botón (32), retire la placa lateral (26) y gire el cepillo para sacar la banda de cepillo (27) de la abertura. Asegúrese de insertar bien la nueva banda, luego vuelva a presionar la placa lateral en el sitio.

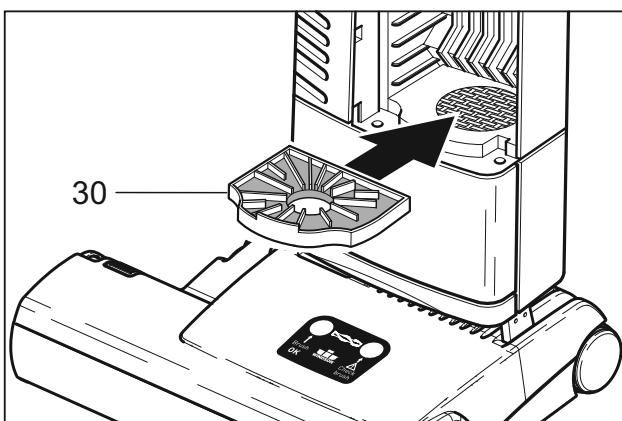
NOTA: Asegúrese de bloquear la placa en el sitio.



Cambio de la bolsa de papel

Si se enciende la luz roja (3), cambie la bolsa de filtro de papel.

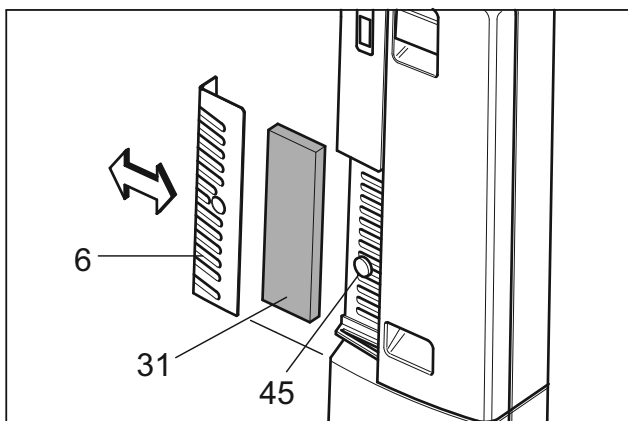
Empuje el seguro de liberación de cubierta hacia adelante y levante la cubierta del alojamiento de la bolsa de polvo. Mueva la placa de sellado de bolsa de polvo (28) del sujetador (29), deslice la placa de sellado (28) de una nueva bolsa dentro del sujetador y empuje firmemente. Inserte la cubierta en el alojamiento de la bolsa de polvo. Empújela hacia adelante y luego asegúrela en el lugar empujando el seguro de liberación de cubierta.



Cambio del filtro de motor

El filtro de motor (30) se debe reemplazar luego de haber usado 20 bolsas de filtro. Levante levemente la parte delantera del filtro y deslícela fuera de la ranura. Instale el nuevo filtro y presione firmemente asegurándose de que el filtro esté completamente en el lugar.

NOTA: Hay disponibles filtros de grado hospitalario.

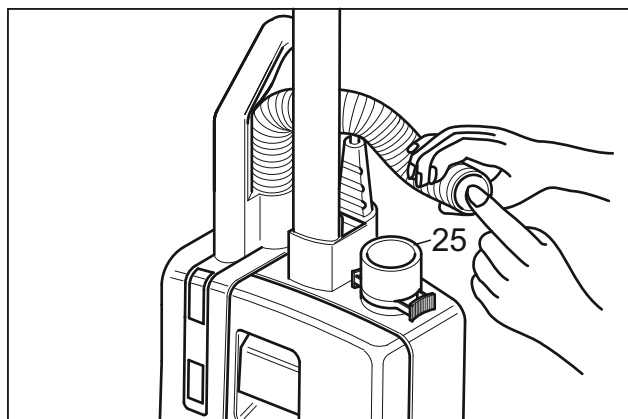


Cambio del filtro de escape

Cambie el filtro de escape (31) siempre con el filtro de motor (30). Presione el botón y corra la tapa de escape (6) a un costado.

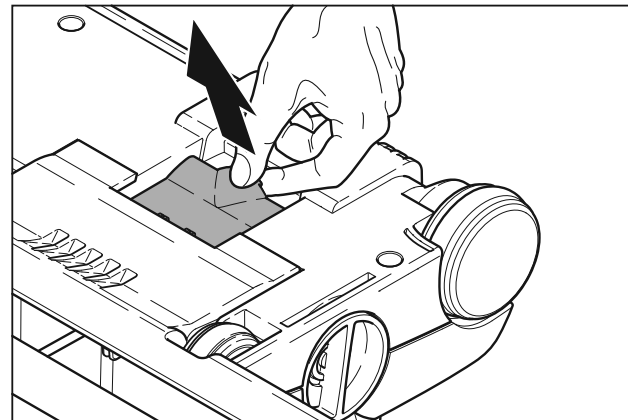
⚠ PRECAUCION:

Nunca use la máquina sin instalar correctamente los filtros.



Desbloques

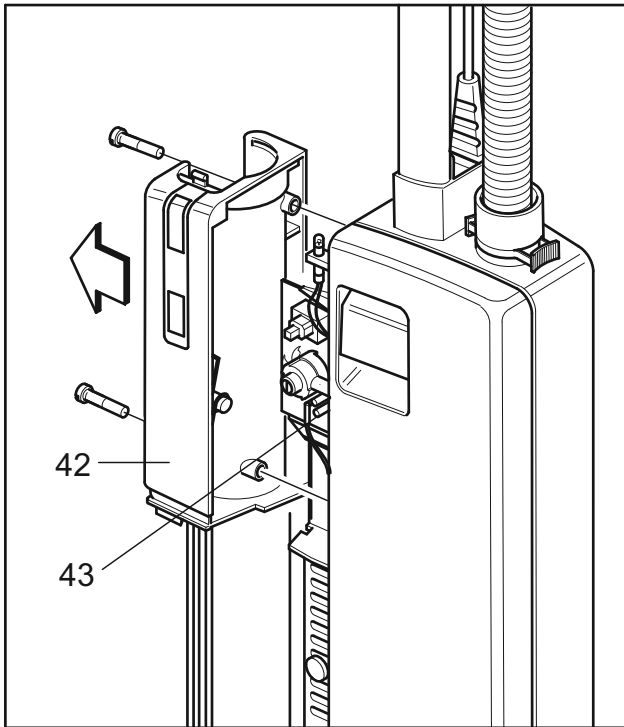
Controle visualmente la manguera y el tubo de conexión (25) para detectar bloqueos. Los bloqueos de la manguera se pueden desobstruir sosteniéndola verticalmente con una mano, bloqueando la parte superior y encendiendo la máquina. Si es necesario tape y destape con la mano el extremo de la manguera.



Verifique si hay bloqueos en el cuello giratorio del cabezal de potencia y debajo de la trampilla naranja ubicada en la parte inferior del cabezal de potencia.

Verifique también que no haya bloqueos en el paso entre las dos aberturas en el cabezal de potencia.

NOTA: Nunca use un palo o un objeto cortante para desobstruir la manguera.

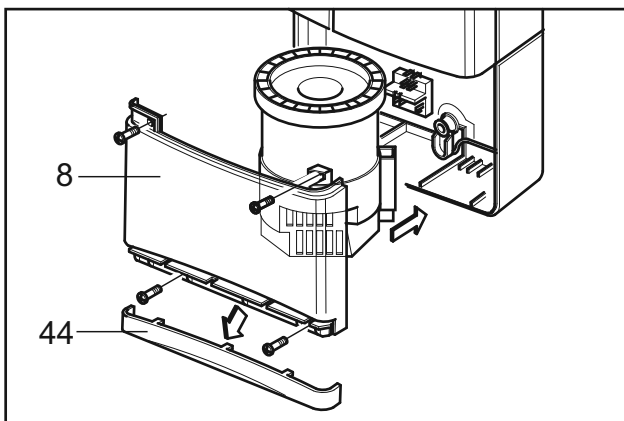


Reemplazo de la placa de circuito impreso

Retire la cubierta del filtro de escape (6).

Retire los tres tornillos en la tapa del tubo de aspiración (42). Desconecte los cables y mueva la placa de circuito (43) hacia afuera.

Instale la nueva placa, sujete los cables y coloque la tapa.

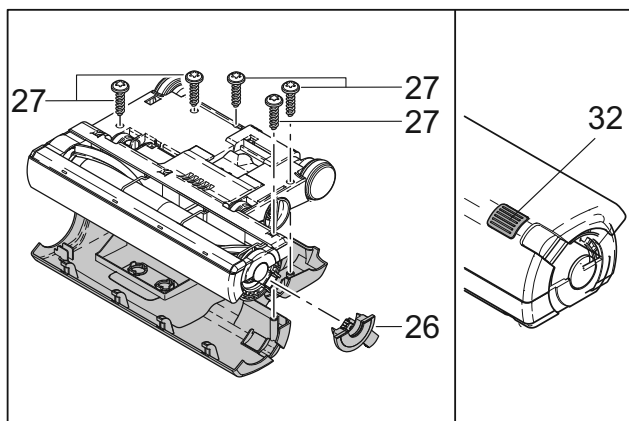


Reemplazo del motor de aspiración

Retire el cabezal de potencia del cuerpo superior.

Retire la defensa del alojamiento de la bolsa de polvo (44) y los cuatro tornillos en la cubierta del motor (8).

Mueva el motor de aspiración hacia afuera e instale el motor nuevo. Vuelva a colocar la cubierta y la defensa.

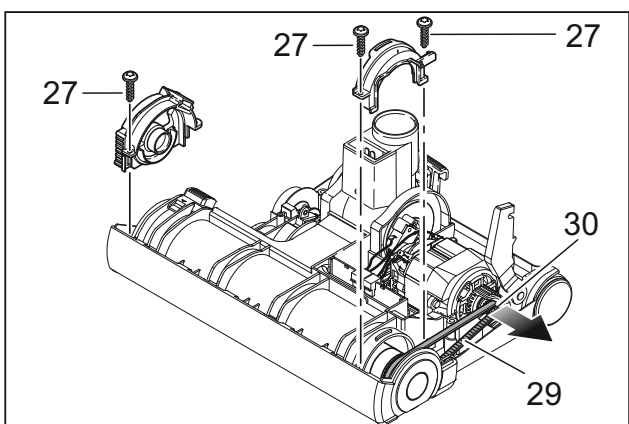


Cambio del rodillo de cepillo

Retire el cabezal de potencia del cuerpo superior.

Para retirar la cubierta del cabezal de potencia, presione el botón (32), retire la placa lateral (26) y los cuatro (VS14) o cinco (VS18) tornillos grandes (27) que están debajo del chasis. Así se puede levantar la cubierta y el botón (32).

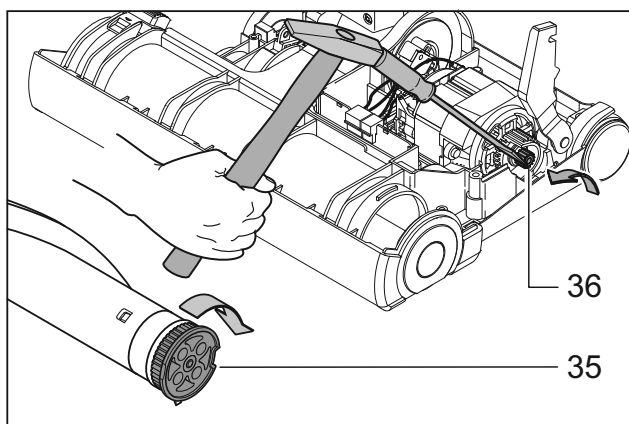
Retire la correa (29) de la polea del motor (3), y luego la defensa (41). Retire los tres tornillos de los pedestales del cepillo (42 y 43). Levante los pedestales y sustituya el rodillo del cepillo. Vuelva a colocar los pedestales, la defensa, instale la correa, la placa lateral y la cubierta. Conecte el cuerpo superior al cabezal de potencia.



Reemplazo de la polea del rodillo de cepillo de cepillo

Para sacar la polea del rodillo de cepillo (35) sostenga el rodillo en una mano y gire la polea de izquierda a derecha.

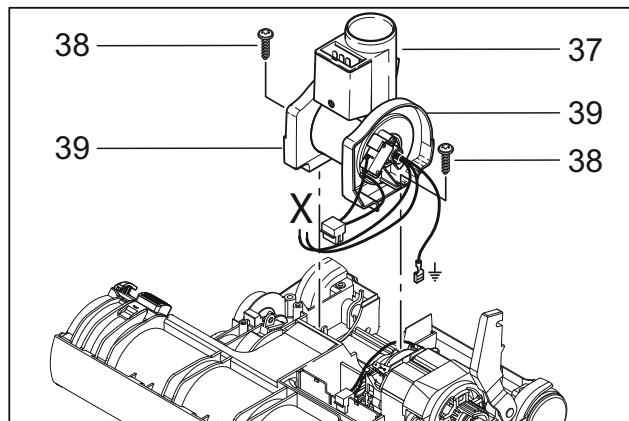
Para sacar la polea del motor (36) inserte el destornillador en un surco y dé un golpe suave de derecha a izquierda. De este modo se puede sacar la polea aflojada.

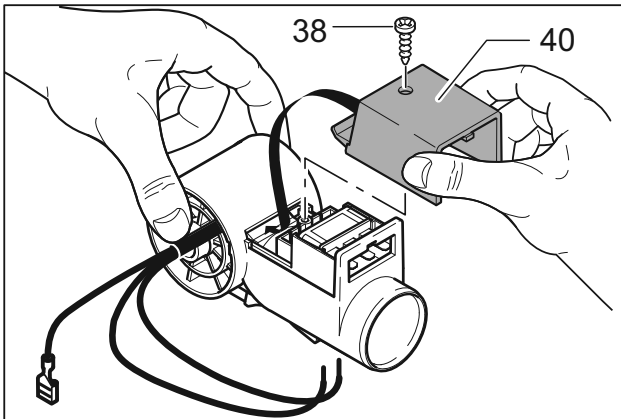


Reemplazo del cuello giratorio

Para retirar el cuello giratorio (37) saque los dos tornillos pequeños (38) de los soportes del cuello giratorio (39) y luego levante el montaje de cuello giratorio del chasis.

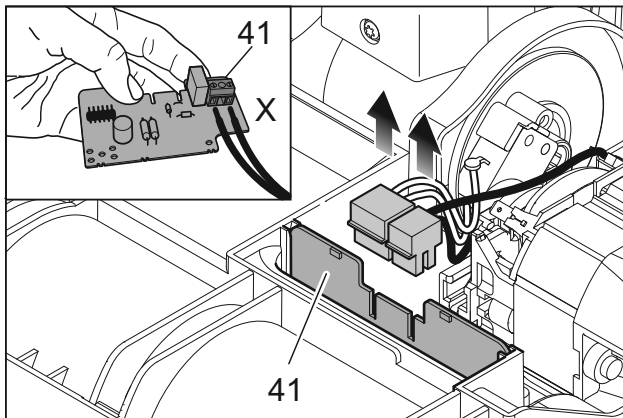
NOTA: Cuando vuelva a ensamblarlo asegúrese de que los cables del cuello giratorio no queden atrapados al sustituir la cubierta del cabezal de potencia.





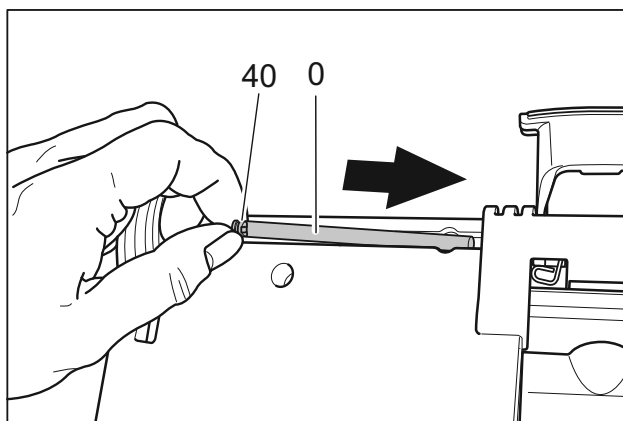
Remoción de la cubierta del cuello giratorio

Para sacar la cubierta del cuello giratorio retire el tornillo de retención, deslice la cubierta (40) hacia abajo y retírela. Cuando vuelva a colocarla controle que los conductores no queden atrapados.



Cambio del controlador electrónico

Para cambiar el controlador electrónico (41) desconecte el conductor del motor. Levante el controlador y luego desconecte el conductor del cuello giratorio.



Reemplazo del pedal de pie

Retire el cabezal de potencia del alojamiento superior. Retire la cubierta del cabezal. Retire el tornillo de retención. Coloque el destornillador en la muesca sobre el eje y deslice el eje hacia afuera. Retire y sustituya el pedal de pie. Vuelva a ensamblarlo.

NOTA: Asegúrese de que cuando vuelva a ensamblarlo, la ranura (40) del eje (0) queda visible como se muestra.

Resolución de problemas

| PROBLEMA | CAUSA | SOLUCIÓN |
|--|--|---|
| El cepillo no gira | La boquilla de la manguera no entra suficientemente dentro del cuello. | Vuelva a colocar la boquilla de la manguera en el cuello. |
| | El cepillo está atascado | Apague la máquina, limpie el cepillo y vuelva a encenderla. |
| | La banda del cepillo no está insertada completamente. | Empuje la banda del cepillo bien adentro. |
| | Correa rota | Sustituya la correa |
| La luz roja permanece encendida (on) en la configuración más baja de cepillado (#1) | El cepillo está desgastado | Sustituya la banda de cepillo |
| La luz indicadora de bolsa llena está encendida o la succión es pobre | Bolsa de polvo llena | Reemplace la bolsa |
| | Manguera obstruida | Retire la manguera y límpiela |
| | Cuello obstruido | Desconecte el cabezal del piso del depósito de aspiración y limpie el cuello |
| | La bolsa no está instalada adecuadamente | Vuelva a colocar la bolsa correctamente |
| | El filtro de escape o del motor está tapado | Limpie o sustituya el filtro. |
| | Se filtra aire por la cubierta posterior | Vuelva a colocar la bolsa de polvo, el filtro del motor y la cubierta posterior para asegurar un buen ajuste. |
| La luz de bolsa llena está apagada (off) cuando la manguera de aspiración está bloqueada o la bolsa llena. | El sensor está desajustado | Retire la puerta posterior y use un pequeño destornillador para girar y aflojar el tornillo posterior de derecha a izquierda. |
| La puerta posterior no cierra | La bolsa no está instalada adecuadamente | Vuelva a colocar la bolsa correctamente |
| | El filtro del motor no está en su lugar | Vuelva a colocar el filtro correctamente |
| La máquina no arranca | Falla en el circuito eléctrico | Haga revisar la máquina por un técnico calificado. |

Datos Técnicos (VSP 14 (VSP 18))

| ELEMENTO | DIMENSIÓN/CAPACIDAD |
|---------------------------|---|
| Voltaje | 120V, 60 hz |
| Aspiración de pisos | 8,6 amp |
| Caudal de aire | 117 cfm |
| Bolsa de polvo | 1,3 gal, 3 capas |
| Motor de cepillo | 1,4 (1,8) amp |
| Ancho del cepillo | 12 3/4 (16/3/4) pulgadas |
| Accionamiento del cepillo | Correa de accionamiento antideslizante con protección de sobrecarga electrónica |
| Banda del cepillo | Reemplazable |
| Altura | 48 pulgadas |
| Anchura | 14 (18) in |
| Peso | 16 (18) lbs |

VERSAMATIC

120 V

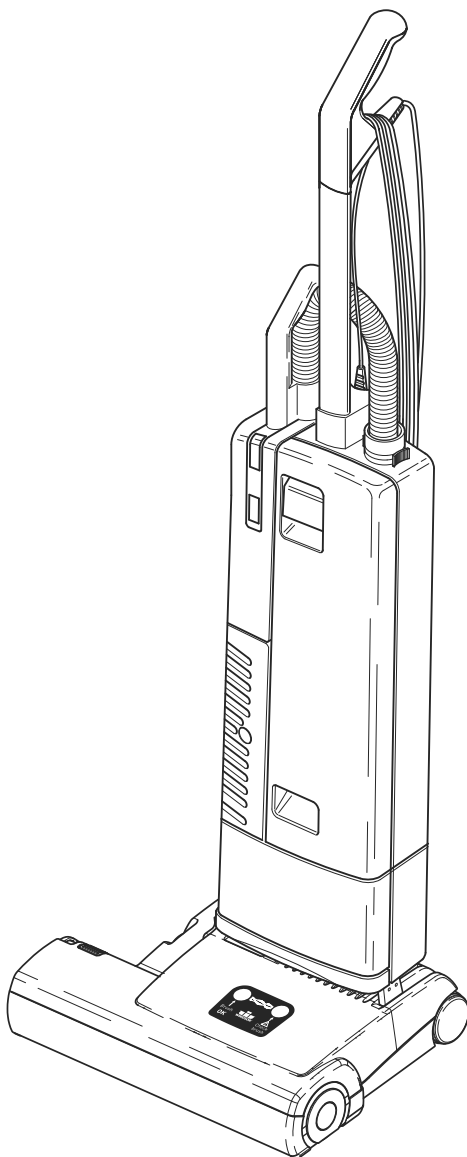
plus



Mode d'emploi (FRA)

MODÈLES : 1.012-052.0
 VSP14

 1.012-053.0
 VSP18



Lisez attentivement ces instructions avant d'utiliser la machine.



Données de la Machine

Modèle : _____

Date d'achat : _____

Numéro de série : _____

Détaillant : _____

Adresse : _____

Numéro de téléphone : _____

Représentant commercial: _____

Enregistrement de la garantie

Merci d'avoir acheté un produit Windsor. L'enregistrement de la garantie est rapide et facile. Votre inscription nous permettra de mieux vous servir au cours de la durée de vie du produit.

Pour enregistrer votre produit rendez-vous sur :
www.windsorind.com/WarrantyRegistration.aspx

Pour joindre l'assistance à la clientèle :
1-800-444-7654



| | |
|--|---|
| Étiquette de données de la machine | 2 |
| Table des matières | 3 |
| Comment utiliser ce manuel..... | 4 |

Sécurité

| | |
|---------------------------------------|---|
| CONSIGNES DE SÉCURITÉ IMPORTANTES .. | 5 |
| INSTRUCTIONS DE MISE À LA TERRE | 7 |

Opérations

| | |
|-------------------------------------|----|
| Composantes | 8 |
| Montage de l'aspirateur | 9 |
| Contrôleur de la brosse..... | 10 |
| Indicateur de niveau du filtre..... | 10 |
| Loquet collet pivotant | 10 |

Entretien

| | |
|--|----|
| Remplacement de la bande de la brosse | 11 |
| Remplacement du sac en papier | 11 |
| Remplacement du filtre du moteur | 11 |
| Remplacement du filtre d'évacuation | 12 |
| Élimination des obstructions | 12 |
| Remplacement de la plaque des circuits imprimés | 13 |
| Remplacement du moteur d'aspiration | 13 |
| Remplacement du rouleau de la brosse | 14 |
| Remplacement de la poulie du rouleau de la brosse | 14 |
| Remplacement du collet pivotant | 14 |
| Retrait du couvercle du collet pivotant | 15 |
| Remplacement du contrôleur électronique | 15 |
| Remplacement de la pédale | 15 |
| Dépannage | 16 |
| Données techniques VSP 14 (VSP 18) | 16 |

Pièces

| | |
|------------------------------------|----|
| Outils, sacs et filtres | 18 |
| Boîtier supérieur | 20 |
| Électrobrosse-VSP 14..... | 22 |
| Électrobrosse-VSP 18..... | 24 |
| Schéma de câblage | 26 |
| Pièces de rechange suggérées | 27 |

Comment utiliser ce manuel

Ce manuel contient les sections suivantes :

- Comment utiliser ce manuel
- Sécurité
- Opérations
- Entretien
- Liste des pièces

La section COMMENT UTILISER CE MANUEL vous dira comment trouver des informations importantes pour commander les pièces de rechange correctes.

Les pièces peuvent être commandées auprès des revendeurs agréés. Lorsque vous passez une commande de pièces, le modèle de la machine et le numéro de série de la machine sont importants. Consultez la case DONNÉES DE LA MACHINE qui est remplie lors de l'installation de votre machine. La case DONNÉES DE LA MACHINE se trouve sur la deuxième de couverture de ce manuel.

Modèle : _____

Date d'achat : _____

Numéro de série : _____

Détaillant : _____

Adresse : _____

Numéro de téléphone : _____

Représentant commercial: _____

Le modèle et le numéro de série de votre machine se trouvent sur l'arrière-inférieur de la machine.

La section SÉCURITÉ contient des informations importantes concernant les utilisations dangereuses ou risquées de la machine. Les catégories de risques identifiés comprennent des risques qui pourraient endommager le produit, provoquer des blessures corporelles ou des blessures graves entraînant la mort.

La section OPÉRATIONS familiarise l'opérateur avec le fonctionnement et les fonctions de la machine.

La section ENTRETIEN contient les mesures d'entretien préventif pour maintenir la machine et ses composants en bon état. Elles sont énumérées dans cet ordre général :

- Sac à poussière
- Filtres
- Obstruction
- Bandes de la brosse
- Dépannage

La section LISTE DES PIÈCES contient des illustrations des pièces assemblées et la liste des pièces correspondantes. Les listes de pièces comprennent un certain nombre de colonnes informatives :

- **REF** - la colonne se réfère au numéro de référence sur l'illustration des pièces.
- **PART NO.** - cette colonne indique le numéro de chaque pièce
- **PRV NO.** - numéro de référence.
- **DESCRIPTION** – la colonne contient une brève description de la pièce.
- **NOTES** – colonne pour les informations non traitées par les autres colonnes.

REMARQUE : Si un kit d'entretien ou kit optionnel est installé sur votre machine, conservez soigneusement les INSTRUCTIONS DU KIT accompagnant le kit. Il les numéros des pièces de rechange nécessaires pour commander de nouvelles pièces.

REMARQUE : La référence du manuel se trouve dans le coin inférieur gauche de la couverture.

CONSIGNES DE SÉCURITÉ IMPORTANTES

Lorsque vous utilisez cette machine, les précautions de base doivent toujours être suivies, notamment :

LIRE TOUTES LES INSTRUCTIONS AVANT D'UTILISER CETTE MACHINE.

⚠ AVERTISSEMENT: Pour réduire les risques d'incendie, de choc électrique ou de blessure :

1. Ne pas laisser l'appareil sans surveillance lorsqu'il est branché. Débrancher l'appareil lorsqu'il n'est pas utilisé et avant toute opération d'entretien.
2. Ne pas utiliser à l'extérieur ou sur des surfaces humides.
3. Ne pas utiliser à proximité de jeunes enfants. Cet appareil n'est pas un jouet. Une surveillance étroite est impérative lorsqu'il est utilisé par des enfants ou à proximité.
4. N'utiliser que conformément aux instructions de ce manuel. N'utiliser que les accessoires recommandés par le fabricant.
5. Ne pas utiliser un cordon ou une fiche endommagé(e). Si l'appareil ne fonctionne pas correctement, s'il a chuté, a été endommagé, laissé à l'extérieur ou s'il est tombé dans l'eau, le renvoyer à un centre de service.
6. Ne pas tirer sur ou transporter par le cordon, utiliser le cordon comme une poignée, fermer une porte sur le cordon ou tirer le cordon autour de bords ou d'angles pointus. Ne pas faire rouler l'appareil sur le cordon. Tenir le cordon éloigné des surfaces chaudes.
7. Ne pas débrancher l'appareil en tirant sur le cordon. Pour débrancher, saisir la fiche et non le cordon.
8. Ne pas manipuler la fiche ou l'appareil avec les mains mouillées.
9. Ne pas insérer d'objets dans les ouvertures. Ne pas utiliser le produit si l'une des ouvertures est obstruée. Retirer la poussière, les peluches et les cheveux, ou tout autre élément pouvant réduire la circulation de l'air.
10. Tenir les cheveux, les vêtements amples, les doigts ou toute autre partie du corps éloignés des ouvertures et des pièces en mouvement. Ne pas placer les doigts ou autres parties du corps sous l'aspirateur, à moins que l'appareil ne soit débranché.
11. Ne pas aspirer des choses qui brûlent ou fument, comme des cigarettes, des allumettes ou des cendres chaudes.
12. Ne pas utiliser sans le sac à poussière et/ou les filtres en place. Ne pas laver les filtres.
13. Placer toutes les commandes sur la position d'arrêt avant de débrancher l'appareil.
14. Faire particulièrement attention lors du nettoyage des escaliers. Ne pas utiliser pour ramasser des liquides inflammables ou combustibles tels que l'essence ou dans les zones où ils peuvent avoir été présents.
15. Les machines peuvent provoquer un incendie lorsqu'elles sont utilisées à proximité de vapeurs ou de matériaux inflammables. Ne pas utiliser cette machine en présence de fluides, de poussière ou de vapeurs inflammables.
16. L'entretien et les réparations doivent être effectués par du personnel qualifié.
17. Brancher seulement à une prise correctement mise à la terre. Voir les instructions de mise à la terre.
18. Ne pas utiliser la machine comme escabeau.
19. Si elle est utilisée sur une moquette ou un tapis à poils longs avec un rembourrage épais, ne pas laisser la machine au même endroit lorsqu'elle est en fonctionnement.
20. Ne pas utiliser la poignée du boîtier du sac à poussière pour transporter la machine.

LIRE ET CONSERVER CES INSTRUCTIONS

MESURES DE SÉCURITÉ IMPORTANTES

Les accidents dus à une mauvaise utilisation peuvent uniquement être évités par ceux qui utilisent la machine. Pour se prémunir contre les blessures, les précautions de sécurité de base doivent être observées, notamment :

Lisez et suivez toutes les consignes de sécurité.

⚠ AVERTISSEMENT: Un choc électrique peut se produire si vous utilisez la machine à l'extérieur ou sur des surfaces humides.

L'aspirateur est conçu pour être sûr lorsqu'il est utilisé pour exécuter des fonctions de nettoyage. En cas d'endommagement de pièces électriques ou mécaniques, l'aspirateur doit être réparé par un centre de service compétent avant d'être utilisé afin d'éviter de causer des dommages supplémentaires à la machine ou des blessures corporelles à l'utilisateur.

Un cordon d'alimentation endommagé peut causer un choc électrique et/ou un incendie. Afin de minimiser cette possibilité, observez les précautions suivantes :

- ♦ Ne pas faire fonctionner l'aspirateur sur un cordon électrique.
- ♦ Éviter de fermer les portes sur le cordon d'alimentation, de le tirer le long de bords tranchants ou de placer des objets coupants sur le cordon.
- ♦ Ne pas serrer le cordon plus que nécessaire afin de le maintenir sur les crochets.
- ♦ Lorsque vous débranchez le cordon d'alimentation de la prise électrique, saisissez la fiche. Le tirer par le cordon peut endommager l'isolation du cordon et les connexions internes à la fiche.

Votre aspirateur produit une aspiration et contient une brosse rotative. Pour éviter des blessures corporelles résultant de l'aspiration ou des pièces mobiles, la brosse de l'aspirateur ne doit pas être placée contre ou à proximité des vêtements amples, des bijoux, des cheveux ou des surfaces du corps pendant que l'aspirateur est branché à une prise électrique. L'aspirateur ne doit pas être utilisé pour nettoyer des vêtements pendant qu'ils sont portés. Tenir les enfants éloignés lorsque la machine est en fonctionnement ou branchée.

Si elle est utilisée sur un tapis à poils longs ou un tapis avec un rembourrage épais, éteignez l'appareil lorsque la poignée est en position verticale. Lors de l'utilisation des accessoires, maintenez la brosse de sol surélevée par rapport au tapis en maintenant la poignée en position verrouillée et en abaissant la poignée avec la main pour soulever la brosse du tapis. Utilisez les accessoires avec l'autre main.

Toujours brancher votre aspirateur sur une prise murale standard. L'utilisation d'une rallonge ou d'une douille avec une capacité insuffisante de transmission de l'électricité peut entraîner un choc électrique ou un incendie.

Débranchez l'aspirateur de la prise électrique avant l'entretien, comme le remplacement des sacs ou des courroies. Vous pourriez vous blesser à cause des pièces mobiles de la machine, si celle-ci s'est accidentellement allumée. Débranchez l'aspirateur de la prise électrique avant de détacher l'électrobrosse.

N'utilisez pas votre aspirateur dans les endroits où des vapeurs ou de la poussière inflammable(s) et/ou explosive(s) sont présentes, afin d'éviter les risques d'incendie ou d'explosion. Certains liquides de nettoyage peuvent produire de telles vapeurs. Les superficies sur lesquelles des liquides de nettoyage ont été utilisés doivent être complètement séchées et bien aérées avant d'être aspirées.

Pour éviter tout risque d'incendie, n'aspirez pas des allumettes, des cendres de cheminée ou des éléments qui fument.

Gardez votre zone de travail bien éclairée pour éviter de ramasser des matériaux nocifs (tels que les liquides, des objets tranchants ou des substances incandescentes) et pour éviter de trébucher.

Soyez prudent lorsque vous utilisez l'aspirateur sur des surfaces irrégulières telles que les escaliers, car la chute de l'aspirateur peut causer des blessures corporelles et/ou des dommages mécaniques. Un rangement adéquat de la machine dans un endroit à l'écart immédiatement après usage permettra également d'éviter les accidents causés par le trébuchement sur l'aspirateur.

Rangez votre aspirateur à l'intérieur, dans un endroit frais et sec, pas exposé aux intempéries afin d'éviter un choc électrique et/ou d'endommager l'aspirateur.

Exercez un contrôle rigoureux pour éviter les blessures lors de l'utilisation de l'aspirateur à proximité des enfants ou lorsqu'un enfant est autorisé à utiliser l'aspirateur. Ne laissez pas les enfants jouer avec l'aspirateur et ne laissez jamais l'aspirateur branché et sans surveillance.

CONSERVEZ CES INSTRUCTIONS

INSTRUCTIONS DE MISE À LA TERRE

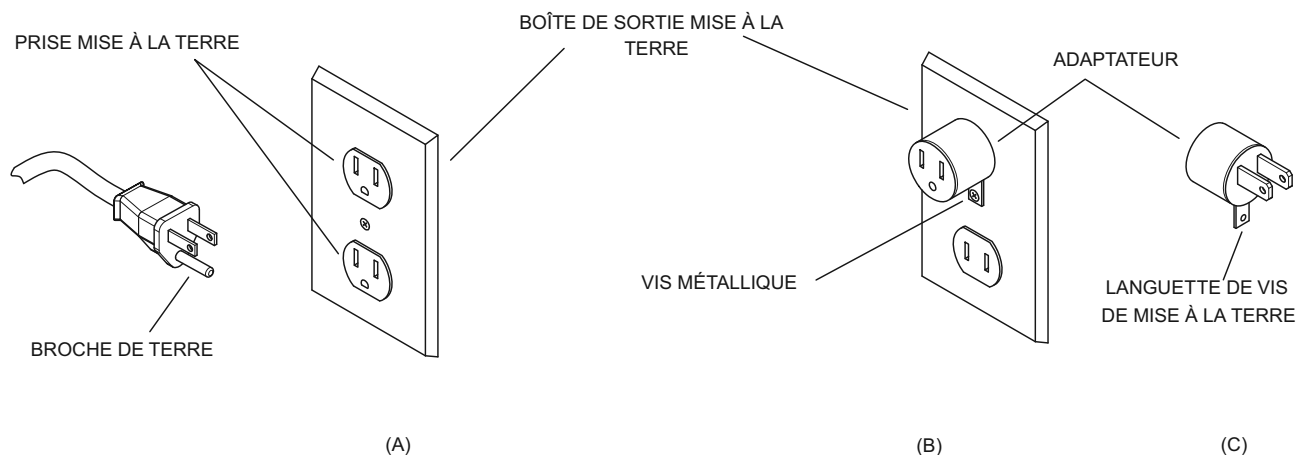
Cet appareil doit être mis à la terre. En cas de dysfonctionnement ou de panne, la mise à la terre fournit un chemin de moindre résistance au courant électrique pour réduire le risque de choc électrique. Cet appareil est équipé d'un cordon comportant un conducteur de mise à la terre de l'équipement et une fiche de mise à la terre. La fiche doit être branchée dans une prise adéquate qui soit correctement installée et mise à la terre en conformité avec tous les codes et les réglementations locaux.

⚠ AVERTISSEMENT:

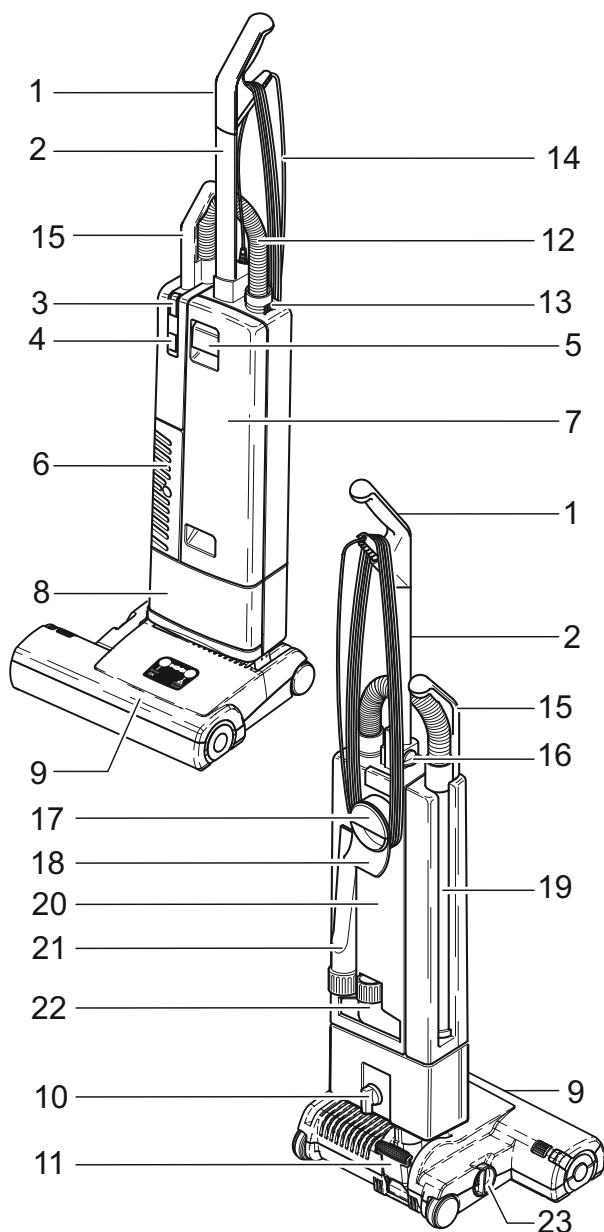
Un branchement inadéquat du conducteur de mise à la terre de l'équipement peut entraîner un risque d'électrocution. Vérifier avec un électricien ou un membre qualifié du personnel d'entretien si vous doutez de la bonne mise à la terre de la prise. Ne pas modifier la fiche fournie avec l'appareil - si elle n'entre pas dans la prise, faites installer une prise adéquate par un électricien qualifié.

Cet appareil doit être utilisé sur un circuit nominal de 120 volts, et dispose d'une fiche mise à la terre qui ressemble à la fiche illustrée dans le croquis A. Un adaptateur temporaire ressemble à l'adaptateur illustré dans les croquis B et C, et peut être utilisé, il relie cette fiche à une prise électrique à 2 bornes comme indiqué dans le croquis B si une prise correctement mise à la terre n'est pas disponible. L'adaptateur temporaire ne doit être utilisé que jusqu'à ce qu'une prise correctement mise à la terre (croquis A) puisse être installée par un électricien qualifié. La languette, patte ou autre pièce rigide verte s'étendant de l'adaptateur doit être connectée à un dispositif permanent mis à terre, comme le couvercle d'une boîte de sortie correctement mise à la terre. Si un adaptateur est utilisé, il doit être maintenu en place par une vis métallique.

Remarque : Au Canada, l'utilisation d'un adaptateur temporaire n'est pas autorisée par le Code canadien de l'électricité.



Composantes



1. Prise de la poignée
2. Poignée
3. Indicateur de sac plein
4. Commutateur On/Off (Marche/Arrêt)
5. Loquet de dégagement du couvercle
6. Couvercle du filtre d'évacuation
7. Capot avant
8. Capot moteur
9. Électrobrosse
10. Cliquet de blocage
11. Pédale
12. Tuyau
13. Bague de retenue
14. Câble
15. Poignée du tube de fixation
16. Cliquet de la poignée
17. Poignée de transport
18. Crochet de câble
19. Tube de fixation
20. Boîtier du sac à poussière
21. Embout suceur
22. Embout pour meubles rembourrés
23. Bouton de réglage de la hauteur

Montage de l'aspirateur

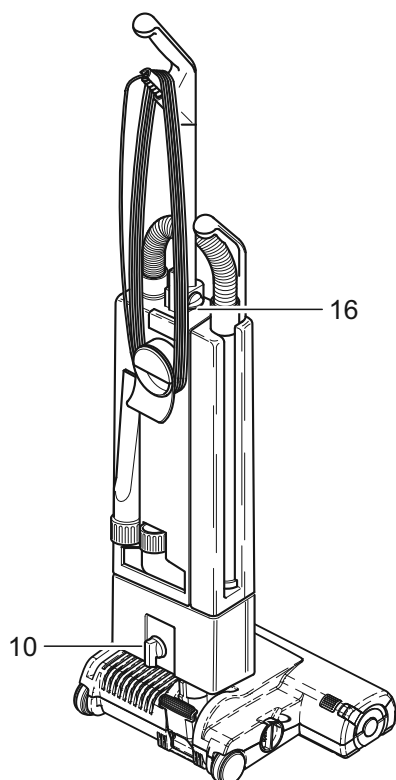
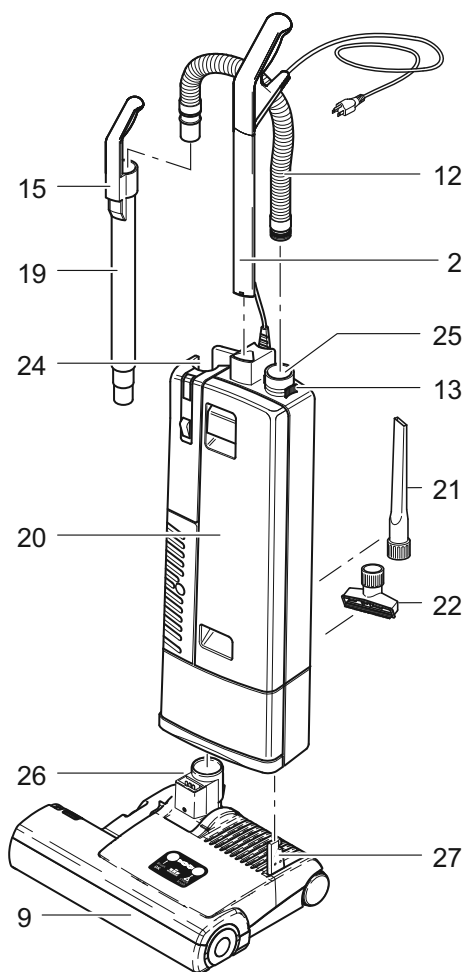
Placez l'électrobrosse (9) sur le plancher avec le collet pivotant (26) et le levier de support (27) en position verticale.

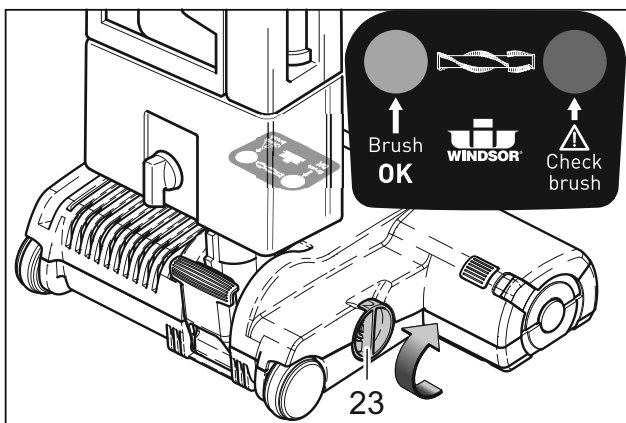
Tournez le cliquet de blocage (10) sur le boîtier du sac filtrant (20) vers la gauche et placez soigneusement le boîtier sur le collet pivotant et le levier de support.

REMARQUE : Assurez-vous que le cliquet est engagé.

Pour verrouiller la poignée, tournez le cliquet de la poignée (16) au niveau du joint de poignée du boîtier du sac filtrant (20) vers l'avant, puis faites glisser la poignée (2) à l'intérieur le plus profondément possible et verrouillez-la avec le cliquet de la poignée (16).

Insérez le tube de fixation (19) dans sa position de rangement sur le côté de la machine. La poignée du tube de fixation (15) doit être placée sur la patte (24). Faites glisser l'extrémité adéquate du tuyau dans le boîtier du sac filtrant, insérez l'extrémité noire du tuyau dans le tube connecteur (25) et faites-le glisser complètement à l'intérieur. Pour déverrouiller le tuyau, appuyez sur la bague de retenue (13) au raccord du boîtier.





Contrôleur de la brosse

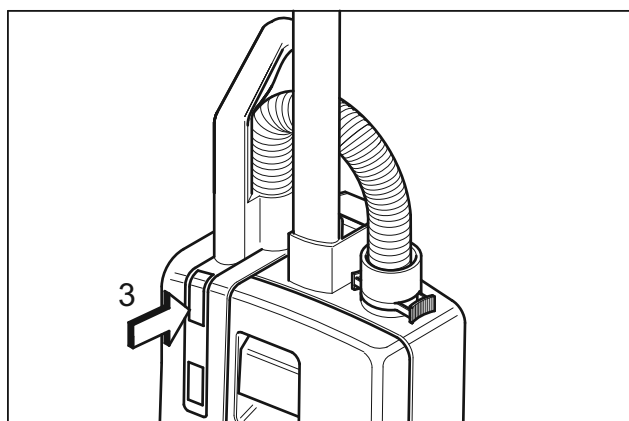
Le contrôleur électronique de la brosse surveille le fonctionnement de la brosse.

DEL verte : Brosse correctement installée et fonctionnelle.

DEL verte et rouge : Brosse trop élevée. Ajustez le réglage de la brosse en tournant le bouton de réglage de la hauteur (19) sur un réglage inférieur.

Si les voyants vert et rouge sont encore allumés à la position numéro 1, la bande de la brosse est usée et doit être remplacée.

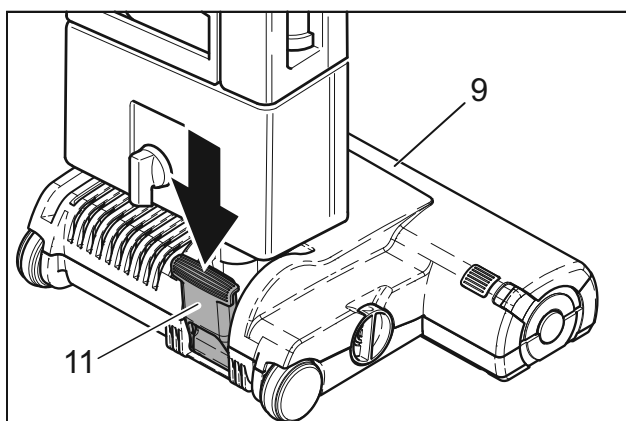
Le voyant rouge clignote : La brosse est obstruée et ne tourne pas. Mettez la machine hors tension, débranchez la prise et dégagez l'obstruction.



Indicateur de niveau du filtre

Si le voyant d'avertissement (3) s'allume, vérifiez :

- Est-ce que le sac à poussière est plein ?
- Y a-t-il une obstruction dans le tuyau (12) ou l'électrobrosse (9) ?

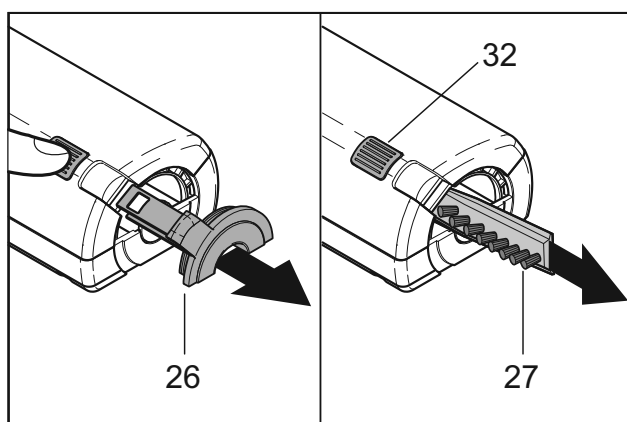


Loquet du collet pivotant

Pour libérer la machine de la position verticale, appuyez sur la pédale (11).

⚠ AVERTISSEMENT:

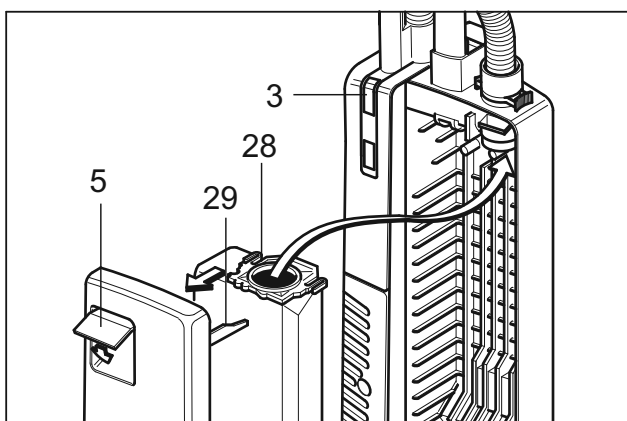
Débrancher la machine de la prise électrique avant d'exécuter tout entretien.



Remplacement de la bande de la brosse

Pour remplacer la bande de la brosse, appuyez sur le bouton (32), retirez la plaque latérale (26) et tournez la brosse de sorte que la bande de la brosse (27) puisse être retirée de l'ouverture. Assurez-vous que la nouvelle bande de la brosse soit complètement insérée, puis appuyez sur la plaque latérale pour la remettre en place.

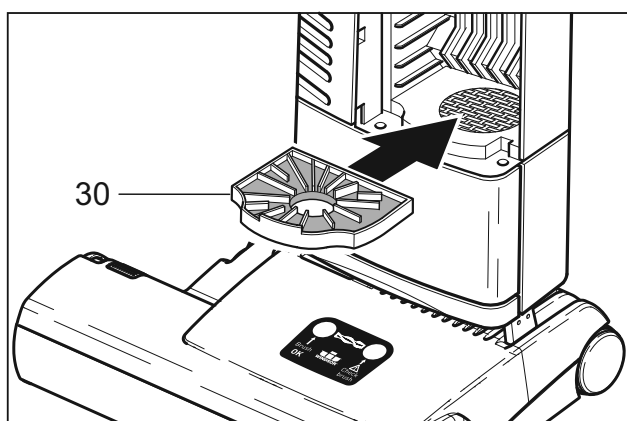
REMARQUE : Assurez-vous que la plaque soit bien en place.



Remplacement du sac en papier

Si le voyant rouge (3) s'allume, remplacez le sac filtrant en papier.

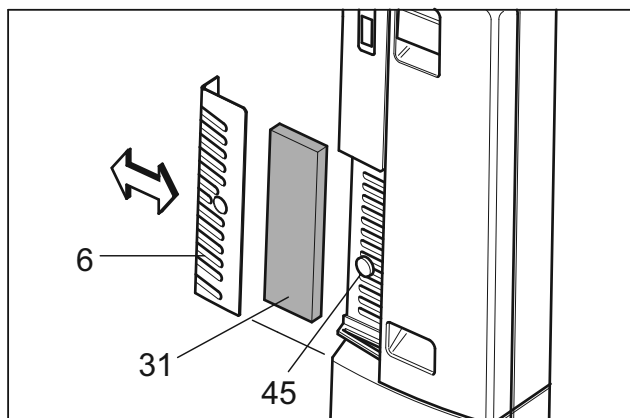
Poussez le loquet de dégagement du couvercle (5) vers l'avant et soulevez le couvercle du boîtier du sac à poussière. Faites glisser la plaque d'étanchéité du sac à poussière (28) hors du support (29). Faites glisser la plaque d'étanchéité (28) d'un nouveau sac dans le support et poussez fermement. Insérez le couvercle dans le boîtier du sac à poussière. Poussez-le vers l'avant, puis bloquez-le en place en poussant le loquet de dégagement du couvercle.



Remplacement du filtre du moteur

Le filtre du moteur (30) doit être remplacé lorsque 20 sacs filtrants ont été utilisés. Soulevez légèrement l'avant du filtre et faites-le glisser hors de la fente. Installez le nouveau filtre et appuyez fermement, pour assurer que le filtre est complètement en place.

REMARQUE : Des filtres de qualité hospitalière sont disponibles.

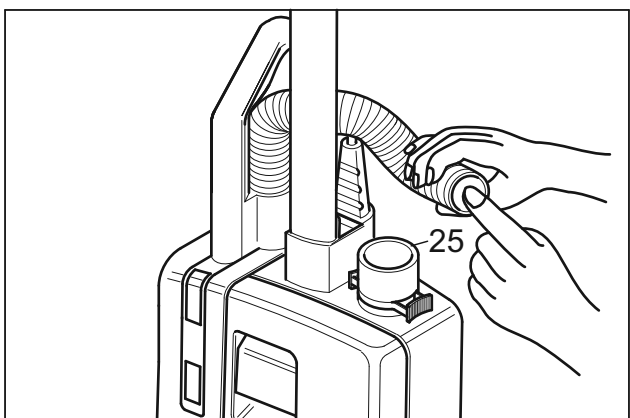


Remplacement du filtre d'évacuation

Remplacez toujours le filtre d'évacuation (31) en même temps que le filtre du moteur (30). Appuyez sur le bouton et faites glisser le couvercle d'évacuation (6) sur le côté.

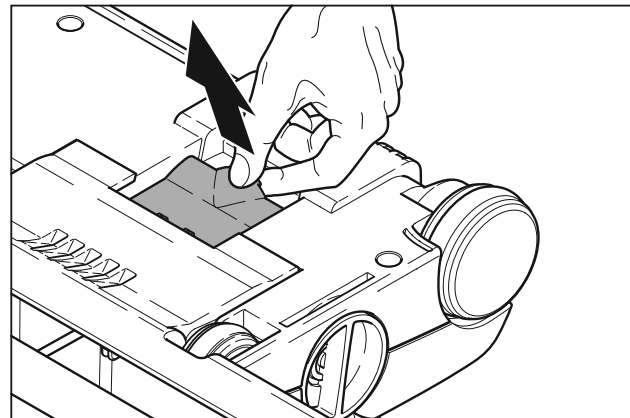
⚠ ATTENTION:

N'utilisez jamais la machine sans installer correctement les filtres.



Élimination des blocages

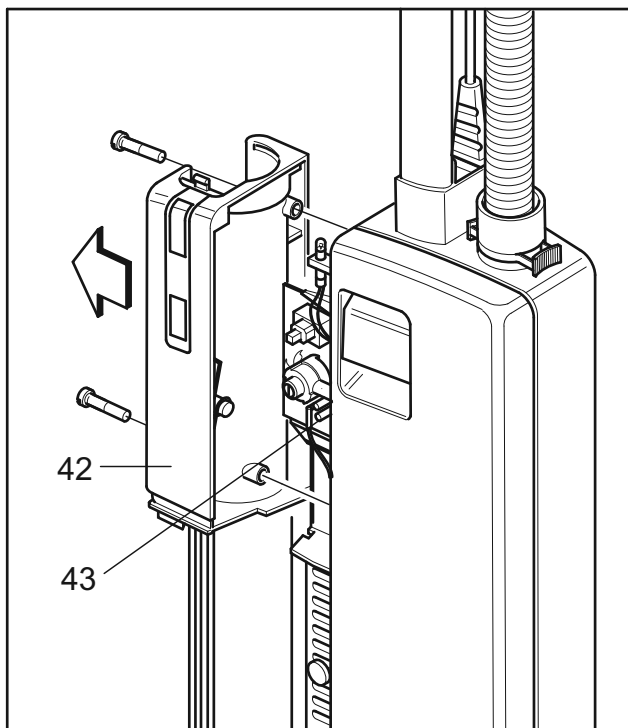
Contrôlez visuellement le tuyau et le tube connecteur (25) pour vérifier qu'il n'y a pas d'obstructions. Les obstructions dans le tuyau peuvent être éliminées en le tenant en position verticale d'une main, en bloquant la partie supérieure et en mettant la machine en marche. Si nécessaire, apposez et retirez rapidement votre main de l'extrémité du tuyau.



Vérifiez l'absence d'obstructions dans le collet pivotant de l'électrobrosse et sous la trappe orange située dans la partie inférieure de l'électrobrosse.

Vérifiez l'absence d'obstructions dans le passage entre les deux ouvertures de l'électrobrosse.

REMARQUE : Ne jamais utiliser un bâton ou un objet pointu pour dégager le tuyau.

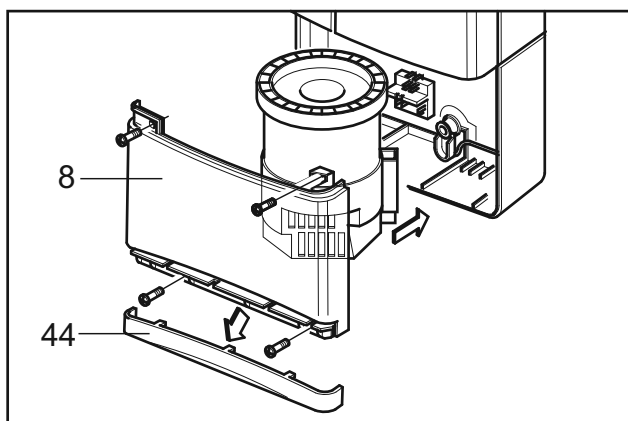


Remplacement de la plaque des circuits imprimés

Retirez le couvercle du filtre d'évacuation (6).

Retirez les trois vis sur le couvercle du tube d'aspiration (42). Débranchez les fils et faites glisser la plaque des circuits imprimés (43) vers l'extérieur.

Installez la nouvelle plaque, attachez les fils et remontez le couvercle.

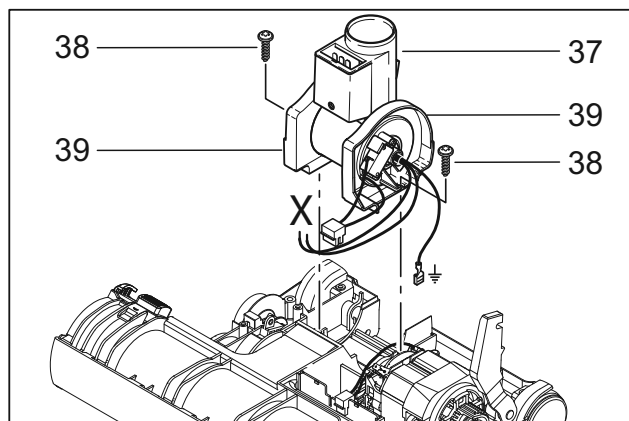
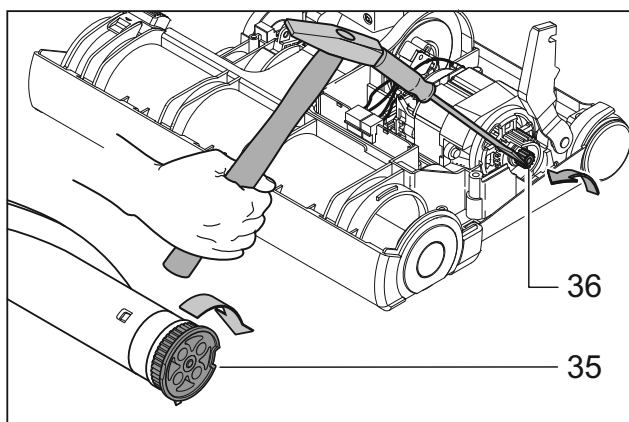
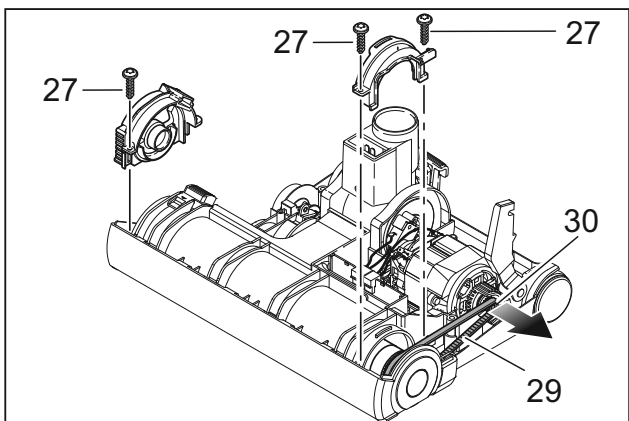
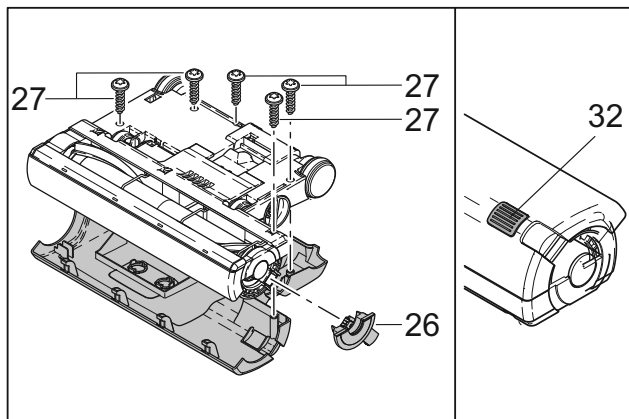


Remplacement du moteur d'aspiration

Retirez l'électrobrosse de la partie supérieure du corps.

Retirez le pare-chocs du boîtier du sac à poussière (44) et retirez les quatre vis sur le capot du moteur (8).

Faites glisser le moteur d'aspiration et installez le nouveau moteur. Remontez le capot et le pare-chocs.



Remplacement du rouleau de la brosse

Retirez l'électrobrosse de la partie supérieure du corps.

Pour retirer le couvercle de l'électrobrosse, appuyez sur le bouton (32), retirez la plaque latérale (26) et les quatre (VSP14) ou cinq (VSP18) grandes vis (27) situées sous le châssis. Le couvercle et le bouton (32) peuvent ensuite être enlevés.

Poussez la courroie (29) pour la détacher de la poulie du moteur (3), retirez le pare-chocs (41). Retirez les trois vis sur les deux corps de palier de la brosse (42 et 43). Soulevez les corps de palier et remplacez le rouleau de la brosse. Remontez les corps de palier, le pare-chocs, installez la courroie, la plaque latérale et le couvercle. Attachez la partie supérieure du corps à l'électrobrosse.

Remplacement de la poulie du rouleau de la brosse

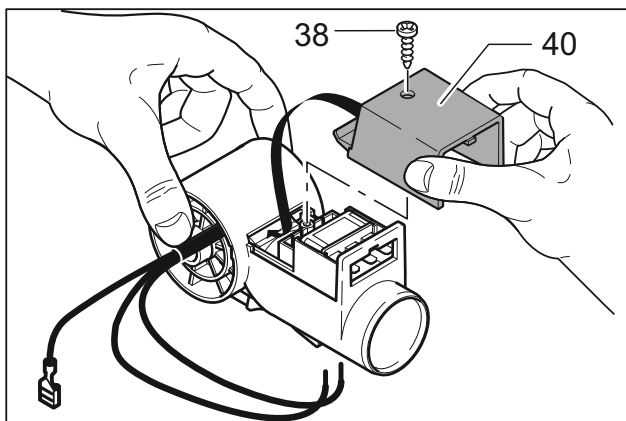
Pour retirer la poulie du rouleau de la brosse (35), tenez le rouleau d'une main et tournez la poulie dans le sens des aiguilles d'une montre.

Pour retirer la poulie du moteur (36), insérez un tournevis dans une rainure et donnez un léger coup dans le sens contraire des aiguilles d'une montre. La poulie desserrée peut alors être enlevée.

Remplacement du collet pivotant

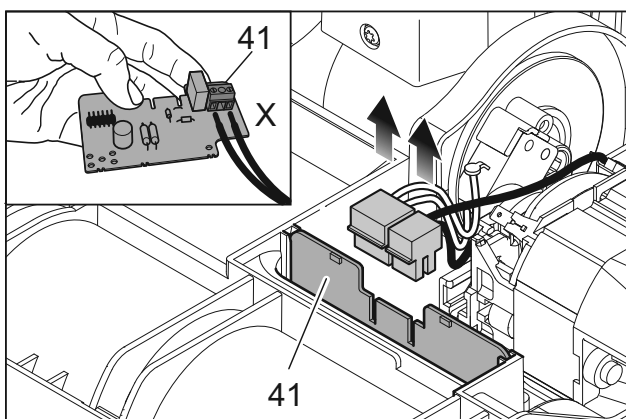
Pour enlever le collet pivotant (37), retirez les deux petites vis (38) des supports du collet pivotant (39), puis soulevez l'assemblage du collet pivotant pour le séparer du châssis.

REMARQUE : Lors du remontage, assurez-vous que les fils du collet pivotant ne sont pas piégés lorsque le couvercle de l'électrobrosse est remplacé.



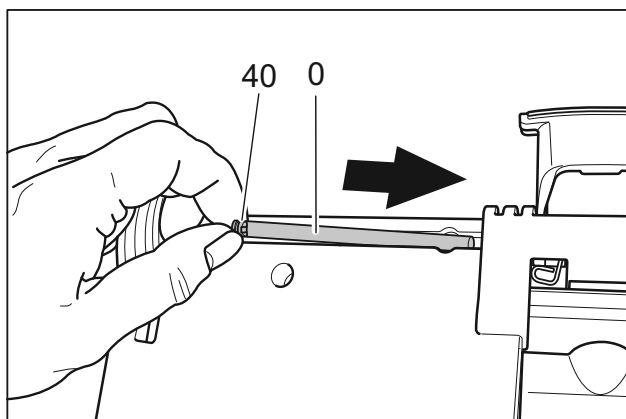
Retrait du couvercle du collet pivotant

Pour enlever le couvercle du collet pivotant, retirez la vis de fixation et faites glisser le couvercle (40) vers le bas, puis soulevez-le. Lors du remontage, assurez-vous que les fils ne soient pas coincés.



Remplacement du contrôleur électronique

Pour remplacer le contrôleur électronique (41), débranchez le câble du moteur. Soulevez le contrôleur en position verticale et débranchez le câble du collet pivotant.



Remplacement de la pédale

Retirez l'électrobrosse du boîtier supérieur. Retirez le couvercle de l'électrobrosse. Retirez la vis de fixation. Insérez un tournevis dans l'encoche sur l'essieu et faites glisser l'essieu pour le retirer. Retirez et remplacez la pédale. Remontez le tout.

REMARQUE : Vérifiez que lors du remontage, l'encoche (40) de l'essieu (0) est visible comme indiqué

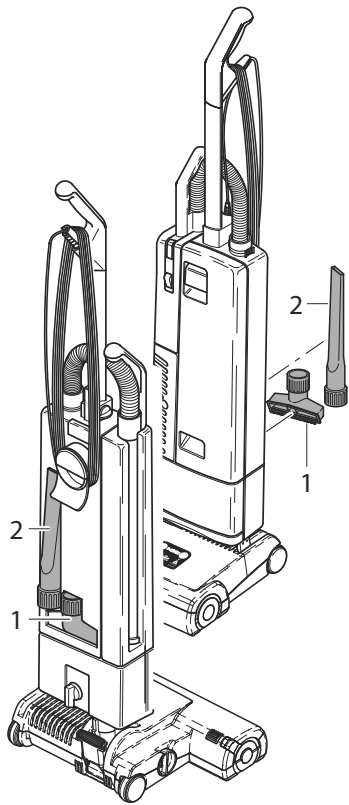
Dépannage

| PROBLÈME | CAUSE | SOLUTION |
|---|---|---|
| La brosse ne tourne pas | L'embout du tuyau n'est pas enfoncé assez profondément dans le collet | Repositionnez l'embout du tuyau dans le collet |
| | Brosse coincée | Arrêtez la machine, débloquez la brosse et redémarrez |
| | Bande de la brosse pas complètement insérée | Poussez la bande de la brosse pour qu'elle soit complètement insérée |
| | Courroie cassée | Remplacez la courroie |
| Le voyant rouge reste allumé sur le réglage le plus bas de la brosse (# 1) | Brosse usée | Remplacez la bande de la brosse |
| Indicateur de sac plein allumé, ou aspiration faible | Sac à poussière plein | Remplacez le sac |
| | Tuyau obstrué | Démontez et nettoyez le tuyau |
| | Collet bouché | Retirez la brosse de sol du réservoir de l'aspirateur et nettoyez le tuyau |
| | Sac mal installé | Réinstallez le sac correctement |
| | Filtre d'évacuation ou filtre du moteur bouché | Nettoyez ou remplacez le filtre |
| | Fuite d'air au niveau du couvercle arrière | Réinsérez le sac à poussière, le filtre du moteur et le couvercle arrière pour que tout s'emboîte bien fermement |
| Indicateur de sac plein éteint lorsque le tuyau d'aspiration est bouché ou le sac est plein | Capteur mal ajusté | Retirez le capot arrière et utilisez un petit tournevis pour tourner la vis située derrière le voyant dans le sens inverse des aiguilles d'une montre |
| Capot arrière ne se ferme pas | Sac mal installé | Réinstallez le sac correctement |
| | Le filtre du moteur n'est pas en position | Réinstallez le filtre correctement |
| La machine ne démarre pas | Circuit électrique défectueux | Faites vérifier la machine par un réparateur qualifié |

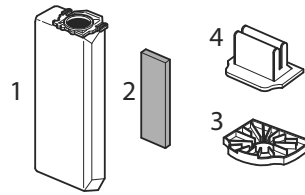
Données techniques VSP 14 (VSP 18)

| ÉLÉMENT | DIMENSION/CAPACITÉ |
|------------------------|--------------------|
| Tension | - 120 V, 60 Hz |
| Moteur d'aspiration | 1 000 watts |
| Colonne d'eau | 2 040 mm |
| Débit d'air | 55 l / sec |
| Moteur de brosse | 175 (200) watts |
| Capacité sac Poussière | 5,3 litres |
| Largeur de Travail | 325 mm |
| Barrette de brosse | Interchangeable |
| Hauteur | 1 225 mm |
| Largeur | 360 (460) mm |
| Poids | 8 (9) kg |

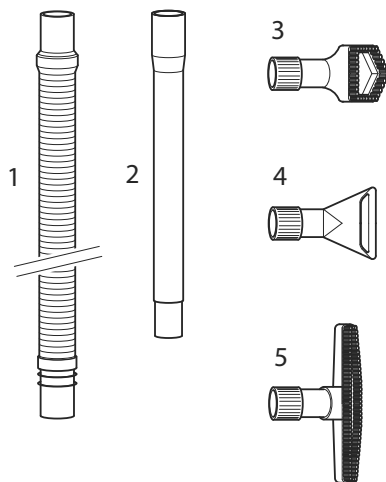
Parts List



ATTACHMENTS



BAGS & FILTERS



OPTIONAL ATTACHMENTS

ACCESSORIES

| ITEM | PART NO. | PRV. NO | QTY | DESCRIPTION | NOTES |
|------|----------|---------|-----|-------------------|-------|
| 1 | 86146300 | 1491HG | - | UPHOLSTERY NOZZLE | |
| 2 | 86140870 | 1092WS | - | CREVICE TOOL WHT | |

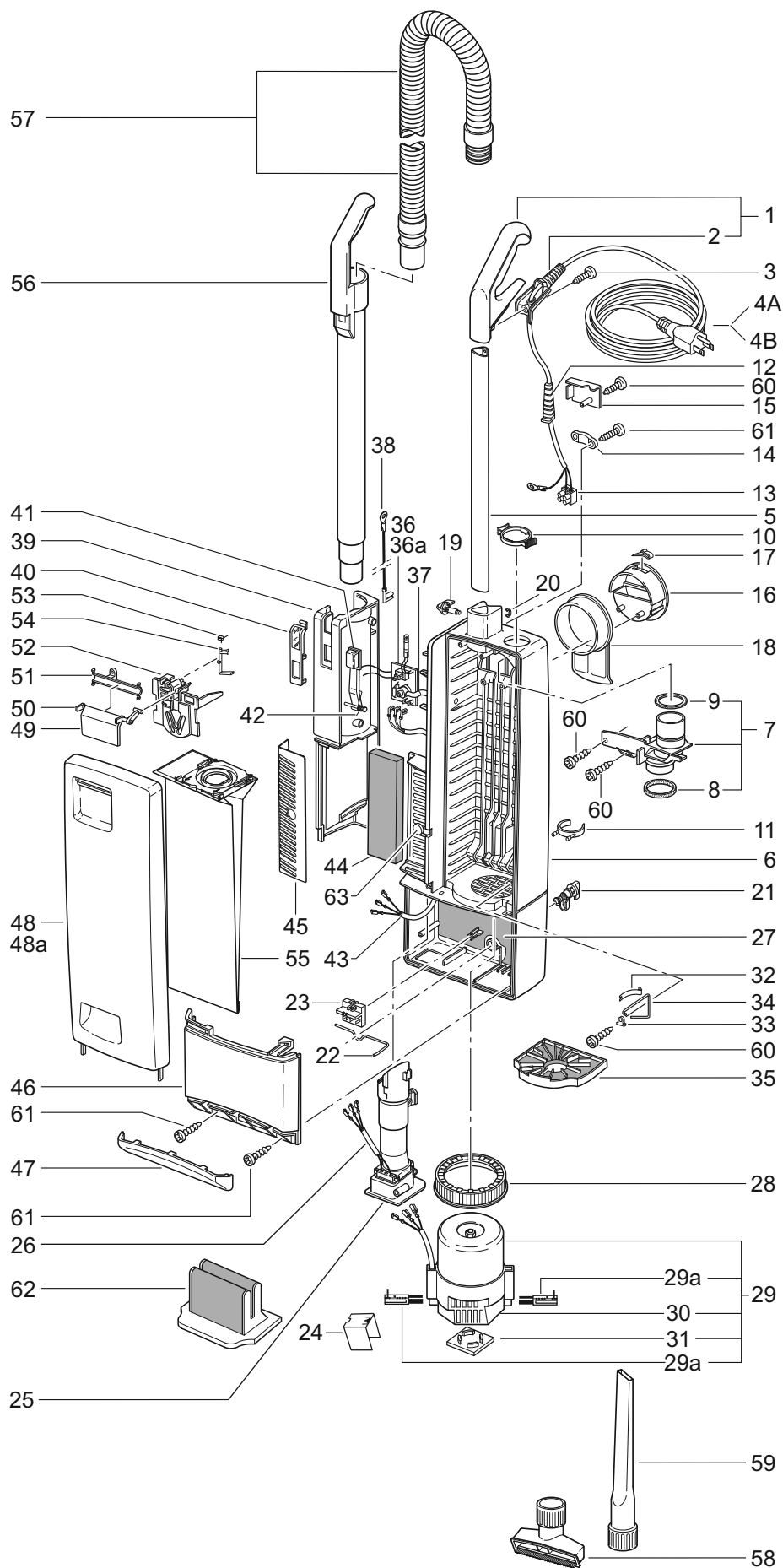
BAGS & FILTERS

| ITEM | PART NO. | PRV. NO | QTY | DESCRIPTION | NOTES |
|------|----------|---------|-----|-----------------------|-------|
| 1 | 86000500 | 5300 | - | FILTER BAG PACK | |
| 2 | 86141370 | 1878 | - | EXHAUST FILTER 34/470 | |
| 3 | 86143430 | 1825 | - | MOTOR FILTER | |
| 4 | 86142690 | 1875 | - | HOSPITAL GRADE FILTER | |

OPTIONAL ATTACHEMENTS

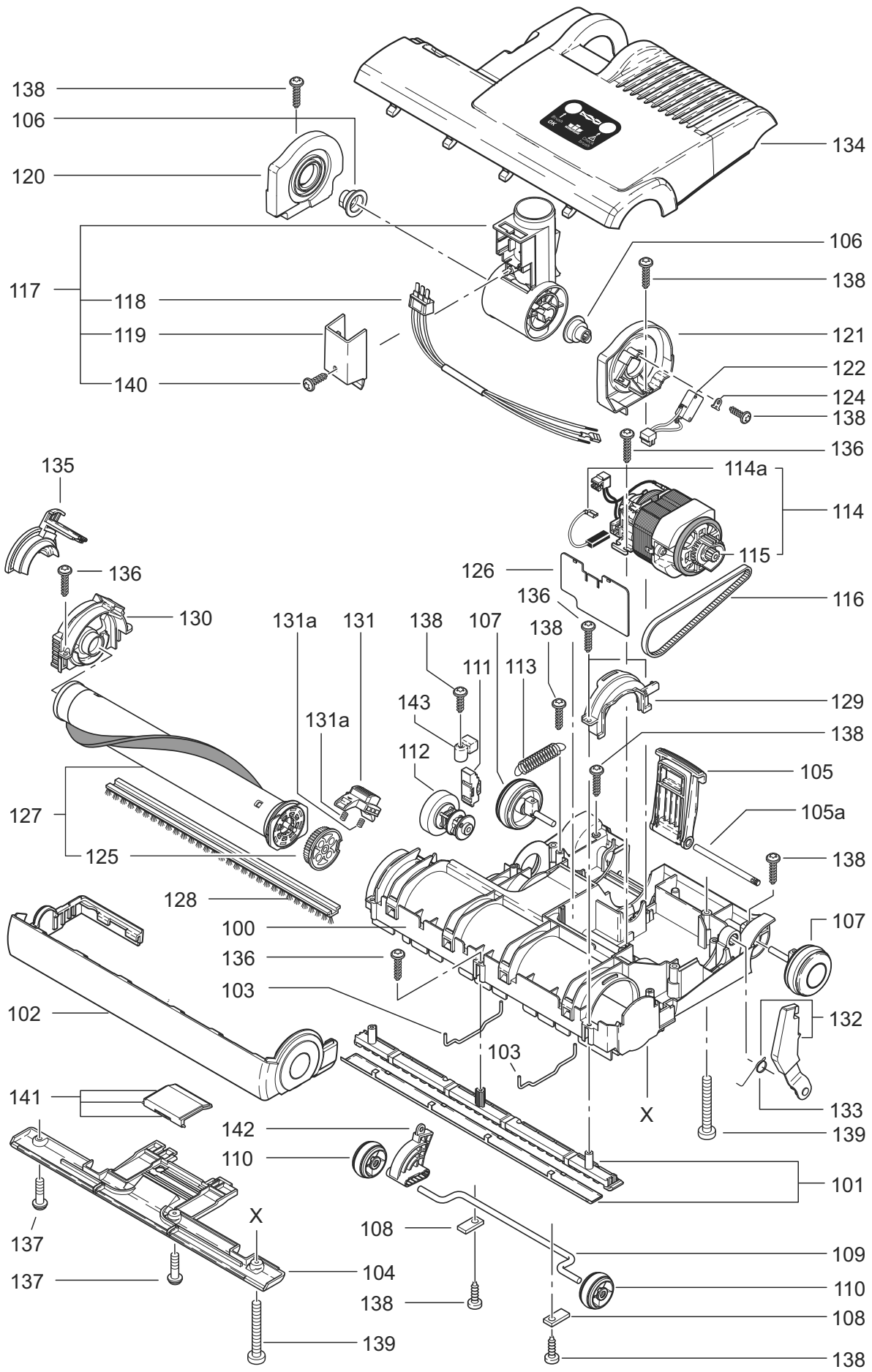
| ITEM | PART NO. | PRV. NO | QTY | DESCRIPTION | NOTES |
|------|----------|---------|-----|----------------------|-------|
| 1 | 86137690 | 1495KN | - | EXTENSION HOSE | |
| 2 | 86141510 | 1084 | - | EXTENSION TUBE | |
| 3 | 86144680 | 1094 | - | ROUND BRUSH VSM-TK | |
| 4 | 86146250 | 1090 | - | UPHOLSTERY TOOL | |
| 5 | 86146530 | 1325HG | - | WALL AND FLOOR BRUSH | |

Upper Housing



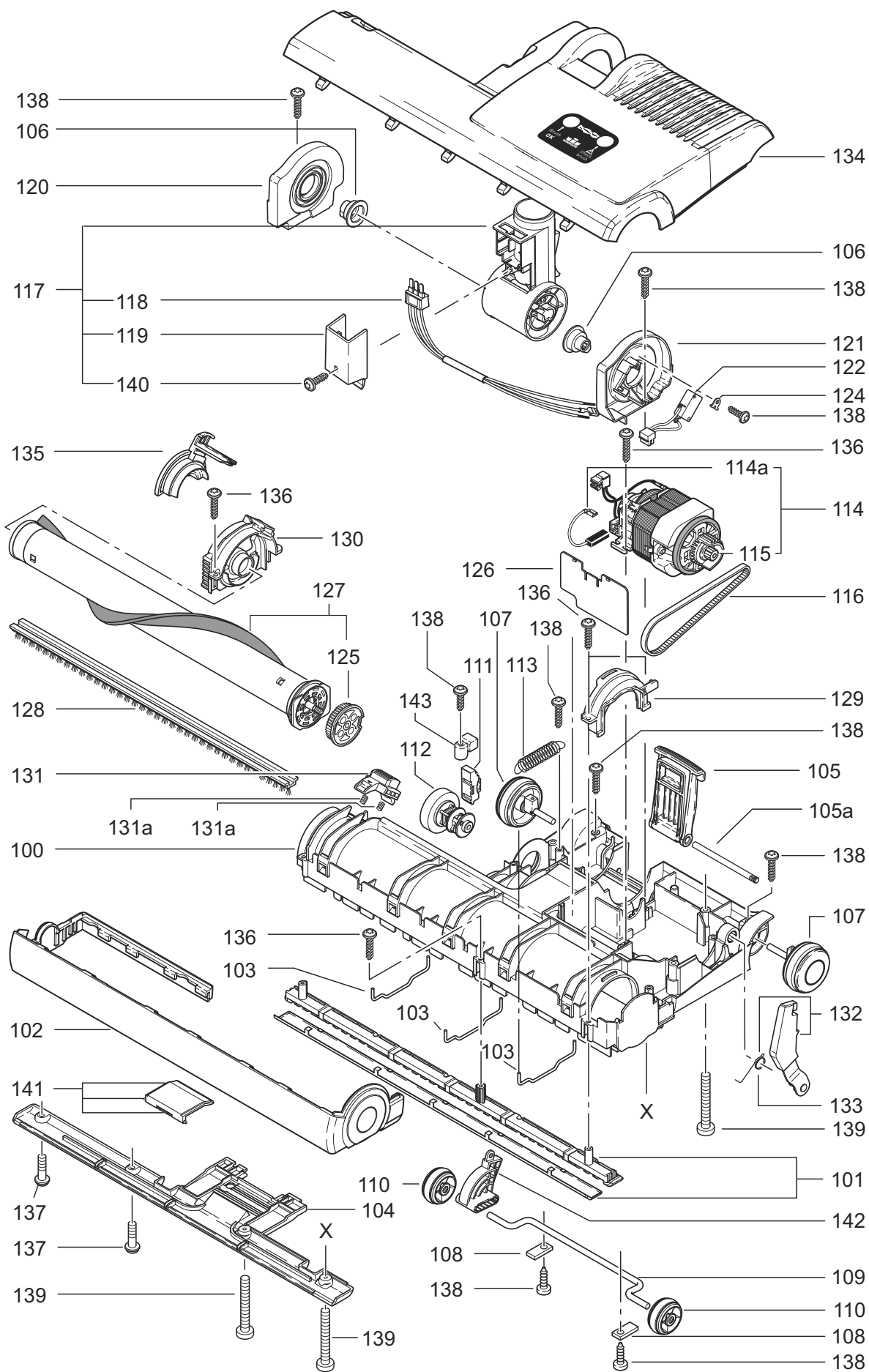
| ITEM | PART NO. | PRV NO. | DESCRIPTION | NOTES |
|------|----------|---------|--------------------------------|-------|
| 1 | 86142050 | 1037EH | HANDLE GRIP, COMPLETE | |
| 2 | 86142120 | 1596hg | HANDLE COVER | |
| 3 | 86144830 | 0127ER | SCR, M4 X 10 | |
| 4A | 86139210 | 1918 | CABLE VS18 - 17/3 AWG | |
| 4B | 86139190 | 1910 | CABLE VS14 | |
| 5 | 86142150 | 1848 | HANDLE | |
| 6 | 86141070 | 1832hg | DUST BAG HOUSING | |
| 7 | 86142840 | 1835hg | INTERNAL COVER 370/470 | |
| 8 | 86144930 | 5289 | SEAL, FILTER TUBE | |
| 9 | 86144900 | 5043 | SEAL | |
| 10 | 86144620 | 5424ER | RETAINING RING, DK.GRY | |
| 11 | 86140080 | 1823hg | CLIP, DUST BAG HOUSE-SR12 | |
| 12 | 86141970 | 5359HE | GROMMET | |
| 13 | 86146170 | 0502 | TERMINAL BLOCK | |
| 14 | 86139110 | 1030UL | CABLE CLAMP | |
| 15 | 86140430 | 1812hg | COVER, VSE BRUSH STRIP | |
| 16 | 86139430 | 1814hg | CARRYING HANDLE | |
| 17 | 86145350 | 5146 | STOP SPRING (HOOK) | |
| 18 | 86139170 | 1813hg | CABLE HOOK | |
| 19 | 86352680 | 1859dg | HANDLE CATCH | |
| 20 | 86140040 | 0161 | CLIP 4 DIN 6799 | |
| 21 | 86143080 | 0850dg | LOCKING CATCH | |
| 22 | 86143100 | 1811 | LOCKING ROD | |
| 23 | 86146200 | 1265UL | TERMINAL BLOCK | |
| 24 | 86140420 | 1524 | COVER, TERMINAL BLOCK | |
| 25 | 86140220 | 1807hg | CONNECTOR | |
| 26 | 86141590 | 1837 | FEMALE CONTACT HOLDER | |
| 27 | 86145170 | 1851 | SOUND INSULATION | |
| 28 | 86146380 | 1047 | VAC MOTOR SEAL | |
| 29 | 86146410 | 1843 | VAC MOTOR | |
| 29a | 86139400 | 05117S | CARBON BRUSH SET 100/120V | |
| 30 | 86143410 | 1821UL | MOTOR COVER | |
| 31 | 86352880 | 1822-1 | MOTOR SUPPORT VSP | |
| 32 | 86143010 | 1027 | LEAF SPRING | |
| 33 | 86139970 | 1073 | CLAMP | |
| 34 | 86140230 | 1824 | CONNECTING ROD | |
| 35 | 86143430 | 1825 | MOTOR FILTER | |
| 36 | 86143760 | 1903 | PC BOARD COVER | |
| 36a | 86139950 | 1936ER | CIRCUIT BOARD 120V 3-P UL | |
| 37 | 86141680 | 1860 | FITTING | |
| 38 | 86141990 | 0851UL | GROUNDING WIRE | |
| 39 | 86146470 | 1852WI | VACUUM TUBE COVER | |
| 40 | 86143040 | 1869hg | LENS, BAG LIGHT INDICATOR | |
| 41 | 86145580 | 1830bl | SWITCH BUTTON | |
| 42 | 86145220 | 1862 | SPRING | |
| 43 | 86142830 | 1834 | INTERNAL CABLE | |
| 44 | 86141370 | 1878 | EXHAUST FILTER 370/470 | |
| 45 | 86141360 | 1802hg | EXHAUST FILTER COVER | |
| 46 | 86373630 | 1853WI1 | MOTOR COVER 370/470 DUAL MOTOR | |
| 47 | 86141050 | 1804hg | DUST BAG HOUSING BUMPER | |
| 48 | 86141750 | 1846WI | FRONT COVER COMPLETE | |
| 48a | 86141840 | 5454 | FRONT COVER SEAL | |
| 49 | 86140440 | 1818bl | COVER RELEASE | |
| 50 | 86144970 | 6040 | SEAL, RELEASE COVER | |
| 51 | 86143940 | 1819 | PLASTIC AXLE COVER | |
| 52 | 86138040 | 1847 | BAG HOLDER, CPL | |
| 53 | 86144760 | 5091 | SAFETY CATCH SPRING | |
| 54 | 86144750 | 1817 | SAFETY CATCH | |
| 55 | 86000500 | 5300 | SENSOR FILTER BAG PACK (10PK) | |
| 56 | 86141550 | 5045hg | EXTENSION TUBE, GRY | |
| 57 | 86142650 | 5040sb | HOSE, SENSOR GRY | |
| 58 | 86146310 | 1491JE | UPHOLSTERY NOZZLE | |
| 59 | 86140860 | 1092JE | CREVICE NOZZLE | |
| 60 | 86147030 | 0102ER | SCR, M3,9 X 13 MM DIN 7981 | |
| 61 | 86147040 | 0103ER | SCR, M3,9 X 16 MM DIN 7981 | |
| 62 | 86142690 | 1875 | HOSPITAL GRADE FILTER | |
| 63 | 86144610 | 1884hg | RETAINING BUTTON | |

Power Head-VSP 14



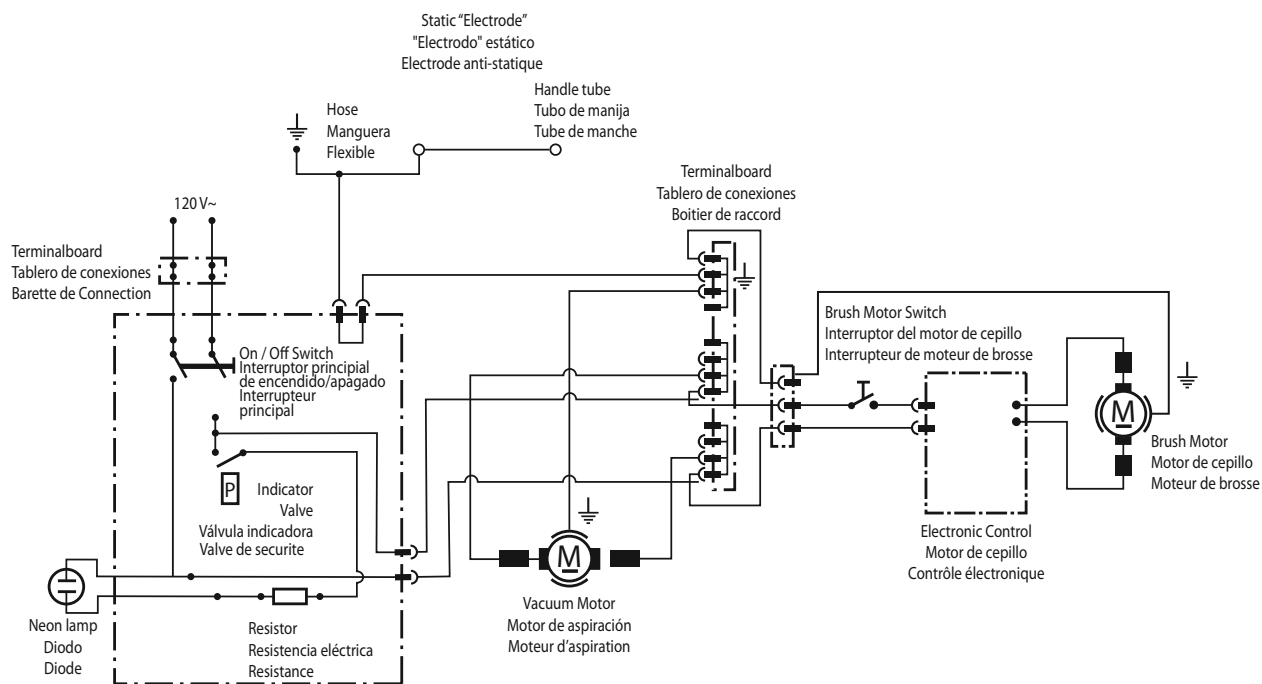
| ITEM | PART NO. | PRV NO. | DESCRIPTION | NOTES |
|------|----------|----------|-------------------------------------|-------|
| 100 | 86363130 | 20200HG | CHASSIS 14" | |
| 101 | 86363140 | 20204ER | REAR BOTTOM PLATE | |
| 102 | 86363150 | 20109ER | BUMPER | |
| 103 | 86363160 | 20115 | RETAINING BRACKET | |
| 104 | 86363170 | 20107ER | REAR BOTTOM PLATE | |
| 105 | 86363180 | 20230ER | FOOT PEDAL | |
| 105a | 86378430 | 20140ER | AXLE, FOOT PEDAL | |
| 106 | 86363190 | 20136ER | SWIVEL NECK BEARING | |
| 107 | 86146600 | 2306HG | WHEEL | |
| 108 | 86363200 | 2014ER | AXLE CLAMP | |
| 109 | 86363210 | 20126ER | PILE ADJUSTMENT AXLE | |
| 110 | 86146610 | 2608hg | PILE ADJUSTMENT WHEEL | |
| 111 | 86146220 | 2833 | THRUST MEMBER | |
| 112 | 86363220 | 20128ER | ADJUSTMENT BUTTON | |
| 113 | 86145270 | 4019 | SPRING | |
| 114 | 86143500 | 2973ER | BRUSH MOTOR 120V, 175W | |
| 114a | 86138390 | 05141S | BRUSH SET, CARBON VAC MTR | |
| 115 | 86309030 | 2319 | BRUSH MOTOR PULLEY FM | |
| 116 | 86138220 | 2923 | BELT, 333 3M HTDII-6 | |
| 117 | 86363680 | 20229UL | SWIVEL NECK ASSEMBLY UL-VERSION | |
| 118 | 86363700 | 0896WI | WIRE, SWIVEL NECK 3-WIRE | |
| 119 | 86145840 | 2602hg | SWIVEL NECK COVER | |
| 120 | 86363260 | 20217ER | SWIVEL NECK SUPPORT | |
| 121 | 86363270 | 20218ER | SWIVEL NECK SUPPORT L.H | |
| 122 | 86363710 | 0897ER | SWITCH LEVER | |
| 124 | 86139970 | 1073 | CLAMP | |
| 125 | 86363280 | 2919ER | BRUSH PULLEY | |
| 126 | 86363720 | 20162ER | PRINTED CIRCUIT BOARD 120V 175W 14" | |
| 127 | 86363300 | 4098ER | BRUSH ASSEMBLY CPL | |
| 128 | 86002440 | 2046 | BRUSH STRIP 14" | |
| 129 | 86363310 | 20123ER | BEARING BLOCK L.H. | |
| 130 | 86363320 | 20117ER | BEARING BLOCK R.H. | |
| 131 | 86363330 | 20120ER | BRUSH ROLLER RELEASE | |
| 131a | 86363340 | 20121ER | SPRING | |
| 132 | 86145450 | 2653hg | SUPPORT LEVER | |
| 133 | 86345580 | 2651 | RETURN SPRING | |
| 134 | 86363730 | 20220VSP | POWER HEAD COVER VSP 14" | |
| 135 | 86363360 | 20118ER | SIDE PLATE | |
| 136 | 86144790 | 01017ER | SCR, 4X20-T20 STS | |
| 137 | 86144850 | 0197ER | SCR,M4X12 MM W/WASHER | |
| 138 | 86363370 | 01036ER | SCREW M4 X 14 | |
| 139 | 86147170 | 0176 | SCREW M4 X 30 | |
| 140 | 86147030 | 0102ER | SCR, M3,9 X 13 MM DIN 7981 | |
| 141 | 86363390 | 20124ER | ACCESS DOOR | |
| 142 | 86363400 | 20127ER | LEVER | |
| 143 | 86363410 | 20129ER | LEAF | |

Power Head-VSP 18



| ITEM | PART NO. | PRV NO. | DESCRIPTION | NOTES |
|------|----------|----------|-------------------------------------|-------|
| 100 | 86363460 | 20202HG | CHASSIS 18" | |
| 101 | 86363470 | 20205ER | REAR BOTTOM PLATE | |
| 102 | 86363480 | 20110ER | BUMPER | |
| 103 | 86363160 | 20115 | RETAINING BRACKET | |
| 104 | 86363490 | 20108ER | REAR BOTTOM PLATE | |
| 105 | 86363180 | 20230ER | FOOT PEDAL | |
| 105a | 86378430 | 20140ER | AXLE, FOOT PEDAL | |
| 106 | 86363190 | 20136ER | SWIVEL NECK BEARING | |
| 107 | 86146600 | 2306HG | WHEEL | |
| 108 | 86363200 | 2014ER | AXLE CLAMP | |
| 109 | 86363210 | 20126ER | PILE ADJUSTMENT AXLE | |
| 110 | 86146610 | 2608hg | PILE ADJUSTMENT WHEEL | |
| 111 | 86146220 | 2833 | THRUST MEMBER | |
| 112 | 86363220 | 20128ER | ADJUSTMENT BUTTON | |
| 113 | 86145270 | 4019 | SPRING | |
| 114 | 86363500 | 3261ER | BRUSH MOTOR 120V | |
| 114a | 86138390 | 05141S | BRUSH SET, CARBON VAC MTR | |
| 115 | 86309030 | 2319 | MOTOR PULLEY | |
| 116 | 86138220 | 2923 | BELT, 333 3M HTDII-6 | |
| 117 | 86363680 | 20229UL | SWIVEL NECK ASSEMBLY UL-VERSION | |
| 118 | 86363700 | 0896WI | WIRE, SWIVEL NECK 3-WIRE | |
| 119 | 86145840 | 2602hg | SWIVEL NECK COVER 370/470 | |
| 120 | 86363260 | 20217ER | SWIVEL NECK SUPPORT | |
| 121 | 86363270 | 20218ER | SWIVEL NECK SUPPORT L.H | |
| 122 | 86363710 | 0897ER | SWITCH LEVER | |
| 124 | 86139970 | 1073 | CLAMP | |
| 125 | 86363280 | 2919ER | BRUSH PULLEY | |
| 126 | 86363740 | 20166ER | PRINTED CIRCUIT BOARD 120V 200W 18" | |
| 127 | 86372960 | 4099ER | BRUSH ASSEMBLY CPL 18" | |
| 128 | 86001640 | 4028 | BRUSH STRIP, 18" MODEL U19840 | |
| 129 | 86363310 | 20123ER | BEARING BLOCK L.H. | |
| 130 | 86363320 | 20117ER | BEARING BLOCK R.H. | |
| 131 | 86363330 | 20120ER | BRUSH ROLLER RELEASE | |
| 131a | 86363340 | 20121ER | SPRING | |
| 132 | 86145450 | 2653hg | SUPPORT LEVER | |
| 133 | 86345580 | 2651 | SPRING VSE RETURN | |
| 134 | 86363750 | 20221VSP | POWER HEAD COVER VS 18" | |
| 135 | 86363360 | 20118ER | SIDE PLATE | |
| 136 | 86144790 | 01017ER | SCR, 4X20-T20 STS | |
| 137 | 86144850 | 0197ER | SCR,M4X12 MM W/WASHER | |
| 138 | 86363370 | 01036ER | SCREW M4 X 14 | |
| 139 | 86147170 | 0176 | SCREW M4 X 30 | |
| 140 | 86147030 | 0102ER | SCR, M3,9 X 13 MM DIN 7981 | |
| 141 | 86363390 | 20124ER | ACCESS DOOR | |
| 142 | 86363400 | 20127ER | LEVER | |
| 143 | 86363410 | 20129ER | LEAF | |

Wiring Diagram



Suggested Spare Parts

| PART NO. | PRV NO. | DESCRIPTION | SERIAL NO. FROM | NOTES |
|----------|---------|-------------------------------|--------------------|-------|
| 86000500 | 5300 | SENSOR FILTER BAG PACK (10PK) | | |
| 86141370 | 1878 | EXHAUST FILTER 370/470 | | |
| 86143430 | 1825 | MOTOR FILTER | | |
| 86138220 | 2923 | BELT, 333 3M HTDII-6 | | |
| 86139210 | 1918 | CABLE VS18 - 17/3 AWG | | |
| 86352840 | 1910 | CABLE VS14 - 18/3 AWG | | |
| 86002440 | 2046 | BRUSH STRIP, 14" U19838 | | |
| 86001640 | 4028 | BRUSH STRIP, 18" MODEL U19840 | | |

