



Electronic Service Manuals

This electronic document is provided as a service to our customers. We do not create the contents of the information contained in this document. Should you have detailed questions pertaining to the information contained in this document, you may contact Michco, or the manufacturer which provided the original information in this electronic deliverable. Michco's only part in this electronic deliverable was the electronic assembly process. By providing this manual on line we are not guaranteeing parts availability.

You may contact Michco through the following methods:

Phone (517) 484-9312 or (800) 331-3339

2011 N. High St. -- Lansing, Michigan -- 48906

Fax: (517) 484-9836

Email: CustServe@Michco.com

Web site: www.Michco.Com

Parts Web site: www.FloorMachineParts.Com

Order Parts on Line at:

www.FloorMachineParts.Com

Directly to Parts & Service:

By Email: **Shop@Michco.com**

By Fax: (517) 702-2041

By Voice: Use numbers above.

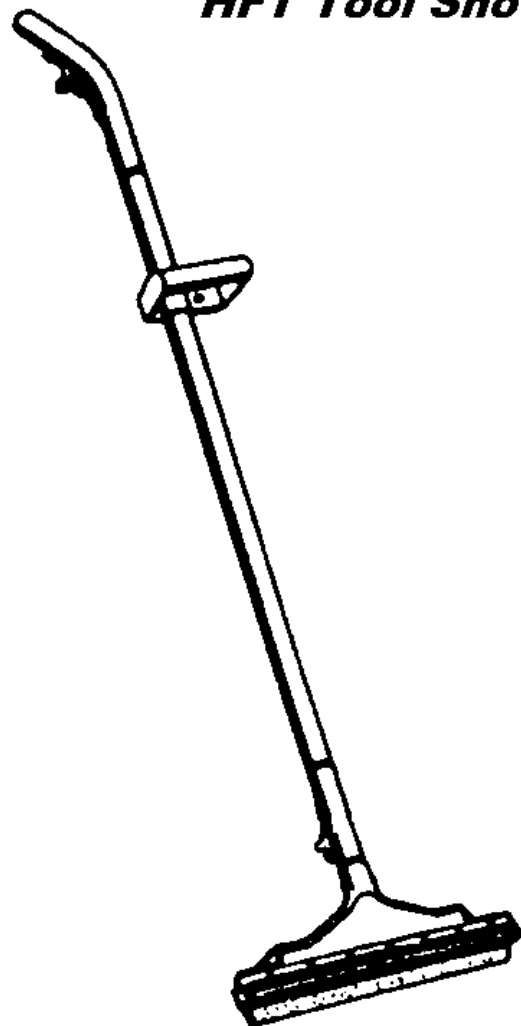
Serving the Cleaning Industry Since 1922

Notice: All copyrighted material remains property of original owners, all trademarks are property of respective owners. Manuals are subject to Manufacturer's reproduction limitations. Originals or reproductions were provided by manufacturers through a request. We make no warranty as to the correctness of information provided in this document and you assume all risk. By placing these manuals on line we are not declaring our corporation to be an manufacturer authorized dealer or provider, please check our web site for authorized manufacturers we represent.

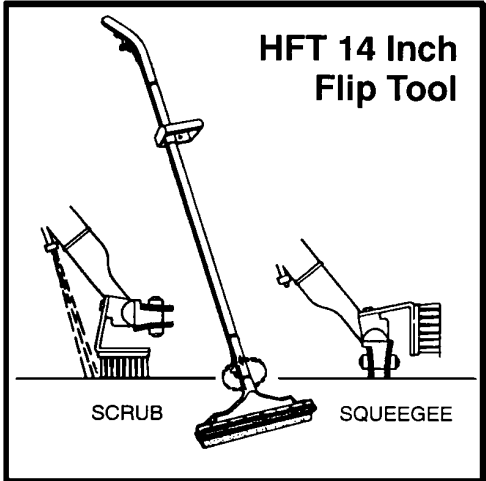
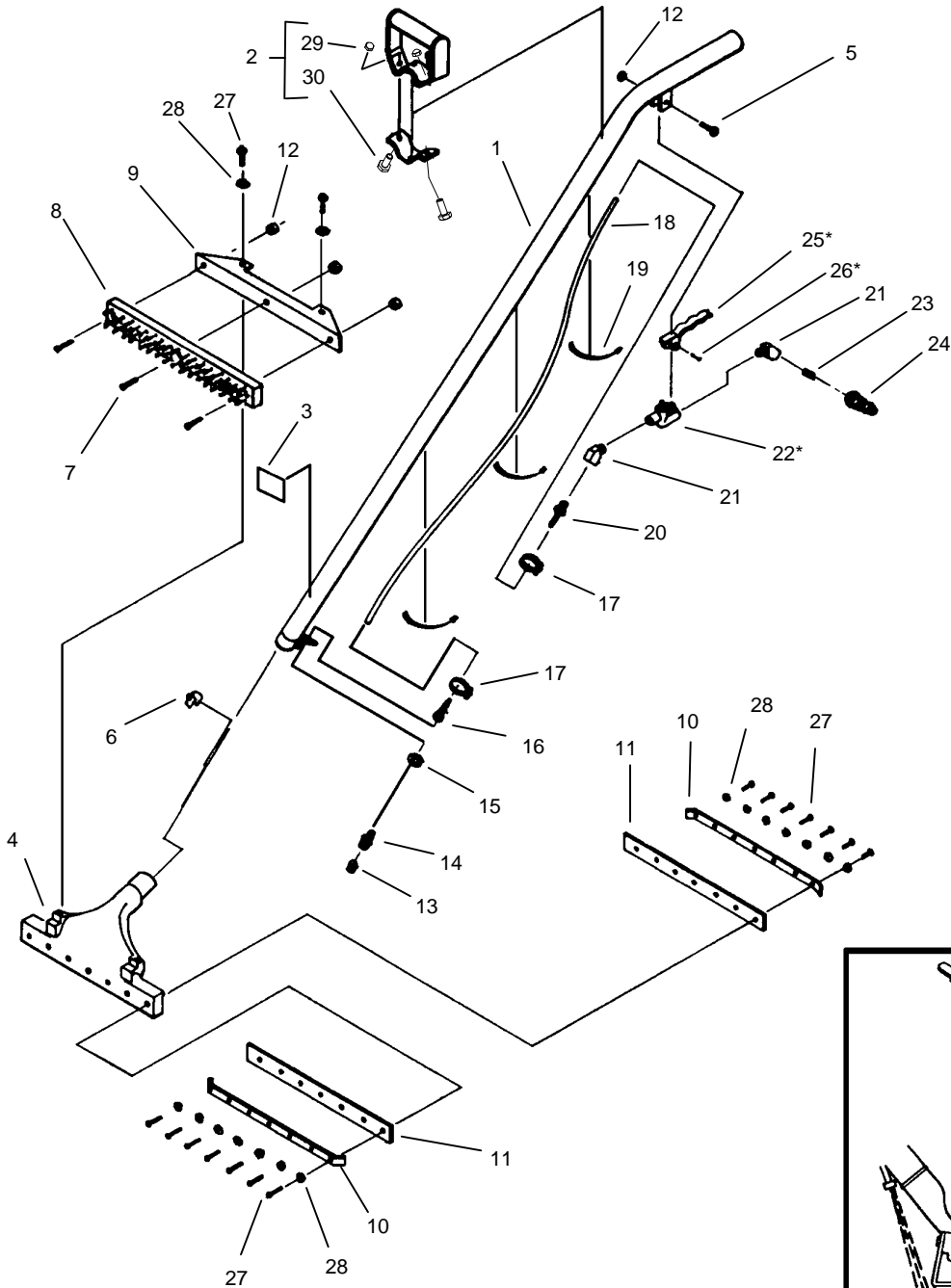
Floor Tools & Accessories

PN	Model
8.604-148.0	HFT14" FLIP TOOL
8.604-119.0	FSW TOOL
8.604-118.0	ESW TOOL
8.628-830.0	CST TOOL
8.600-005.0	SPW WAND
8.600-002.0	HT
8.604-105.0	PRO HEAT
8.604-106.0	PROS (PRO SPRAY)
8.600-060.0	89226
8.600-061.0	89227

HFT Tool Shown



HFT 14 INCH FLIP TOOL



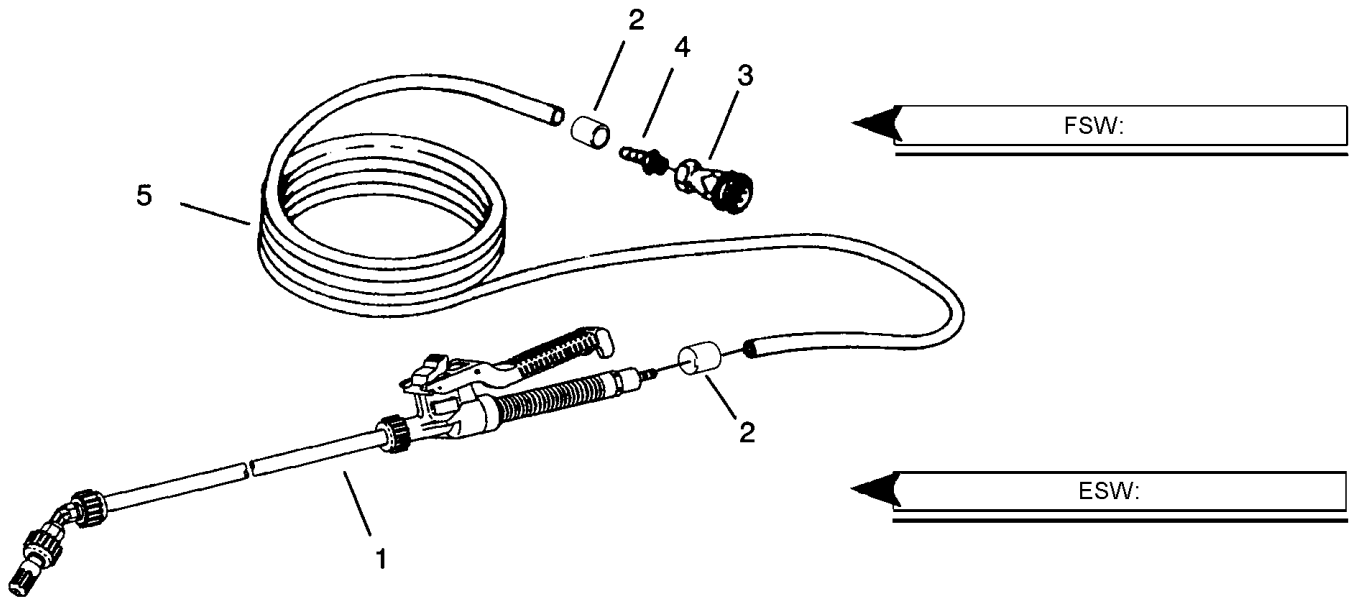
* - ITEM 25 AND 26 ACCOMPANY ITEM 22.

HFT 14 INCH FLIP TOOL

REF	PART NO.	PRV NO.	DESCRIPTION	SERIAL NO. FROM	NOTES:
1	86092640	38100	HANDLE		
2	86135760	38109	HANDLE, GRIP ASSEMBLY		
3	86245650	50776	LABEL, FOR SAFETY		
4	86090150	85010	SHOE, VAC		
5	86274450	70202	SCR, 10-32 X 1.25 HHMS PLTD		
6	86233500	27224	CLIP, SPRING		
7	86274040	70076	SCR, 10-32 X 1 FHMS		
8	86230550	12021	BRUSH		
9	86073010	14678	BRKT, BRUSH MOUNTING		
10	86086110	67086	RETAINER, SQUEEGEE		
11	86229630	14703	BLADE, URETHANE SQUEEGEE		
12	86005640	57030	NUT, 10-32 LOCK PLTD		
13	86004540	44060	JET, 8002 MINI-QUICK		
14	86004530	44052	JET BODY, MINI-QUICK		
15	86010720	87086	WASHER, M10 X 30 PLTD		
16	86197640	40064	HOSEBARB, 1/8" FPT X 1/4"		
17	86233090	20016	CLAMP, 1/4" DIA. HOSE		
18	86281080	39269	HOSE, 1/4"		
19	86264920	27049	CABLE TIE, 7"		
20	86197500	40009	HOSEBARB, 1/4 MPT X 1/4 H		
21	86197390	31021	ELBOW, 45° 1/4 MPT X FPT ST		
22	86010490	84018	VALVE, SOLUTION		
23	86005590	56014	NIPPLE, CLOSE 1/4 MPT		
24	86005580	56012	QUICK DISCONNECT 1/4 FPT		
25	86136170	51017	LEVER, SW VALVE		
26	86272140	66023	PIN		
27	86006590	70088	SCR, 10-32 X 1/2 PHMS SS		
28	86010640	87016	WASHER, #10 STAR		
29	86271620	57229	NUT, 1/4-20 ACORN SS		SEE # 2
30	86273750	70011	SCR, 1/4-20 X 5/8 HHMS		SEE # 2

WARNING: Do not use with extractors producing over 100 psi pressure.

FSW, ESW TOOL



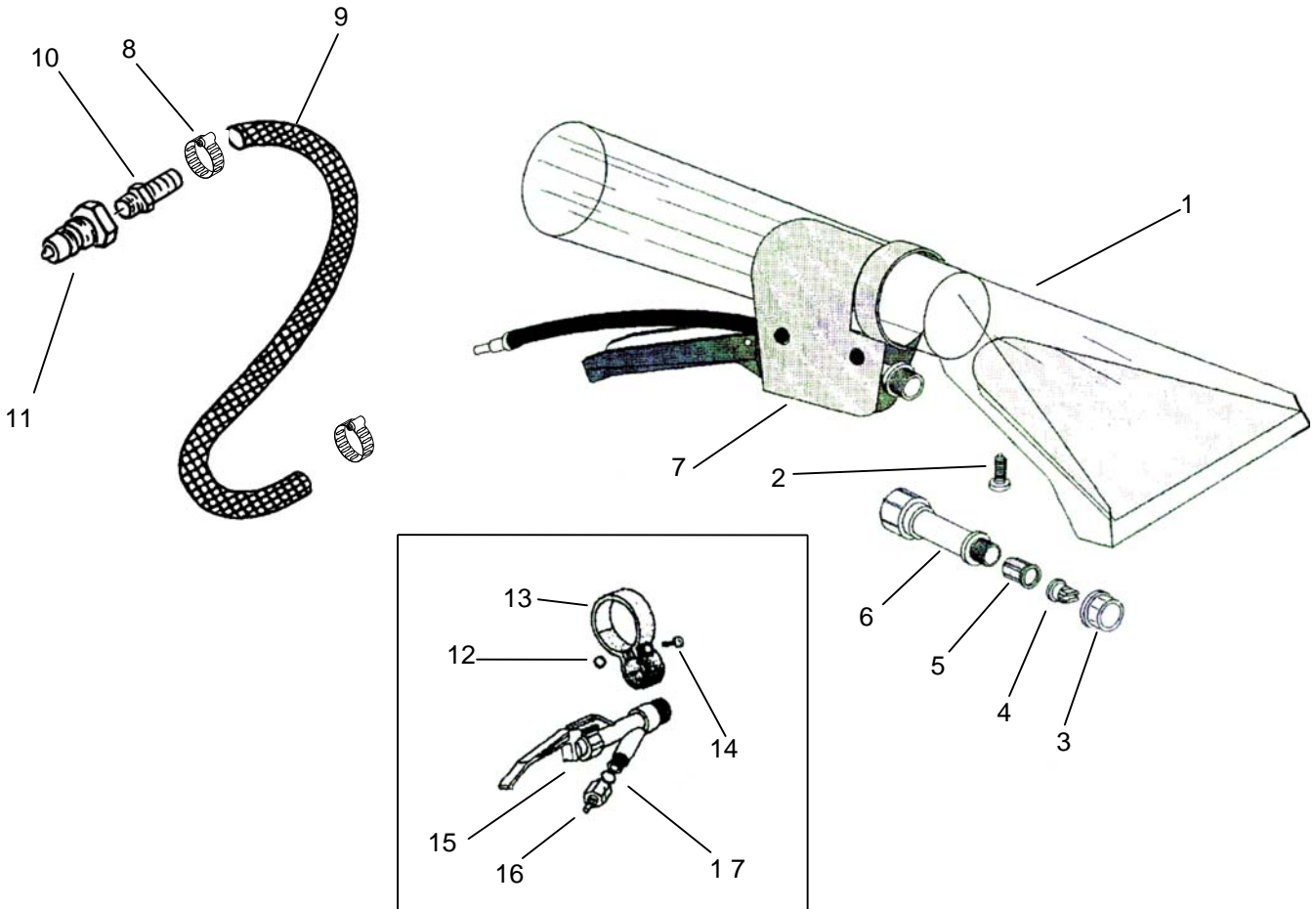
WARNING: Do not use with extractors producing over 100 psi pressure.

FSW:

REF	PART NO.	PRV NO.	DESCRIPTION	SERIAL NO. FROM	NOTES:
1	86259130	89088	WAND, TRIGGERJET		
2	86233090	20016	CLAMP, ¼ ID HOSE		
3	86198470	22015	COUPLER, ¼ QUICK DISCONNECT		
4	86197500	40009	HOSEBARB, ¼ MPT X ¼		
5	86281200	39302	HOSE, ¼" BLUE X 25'		

ESW:

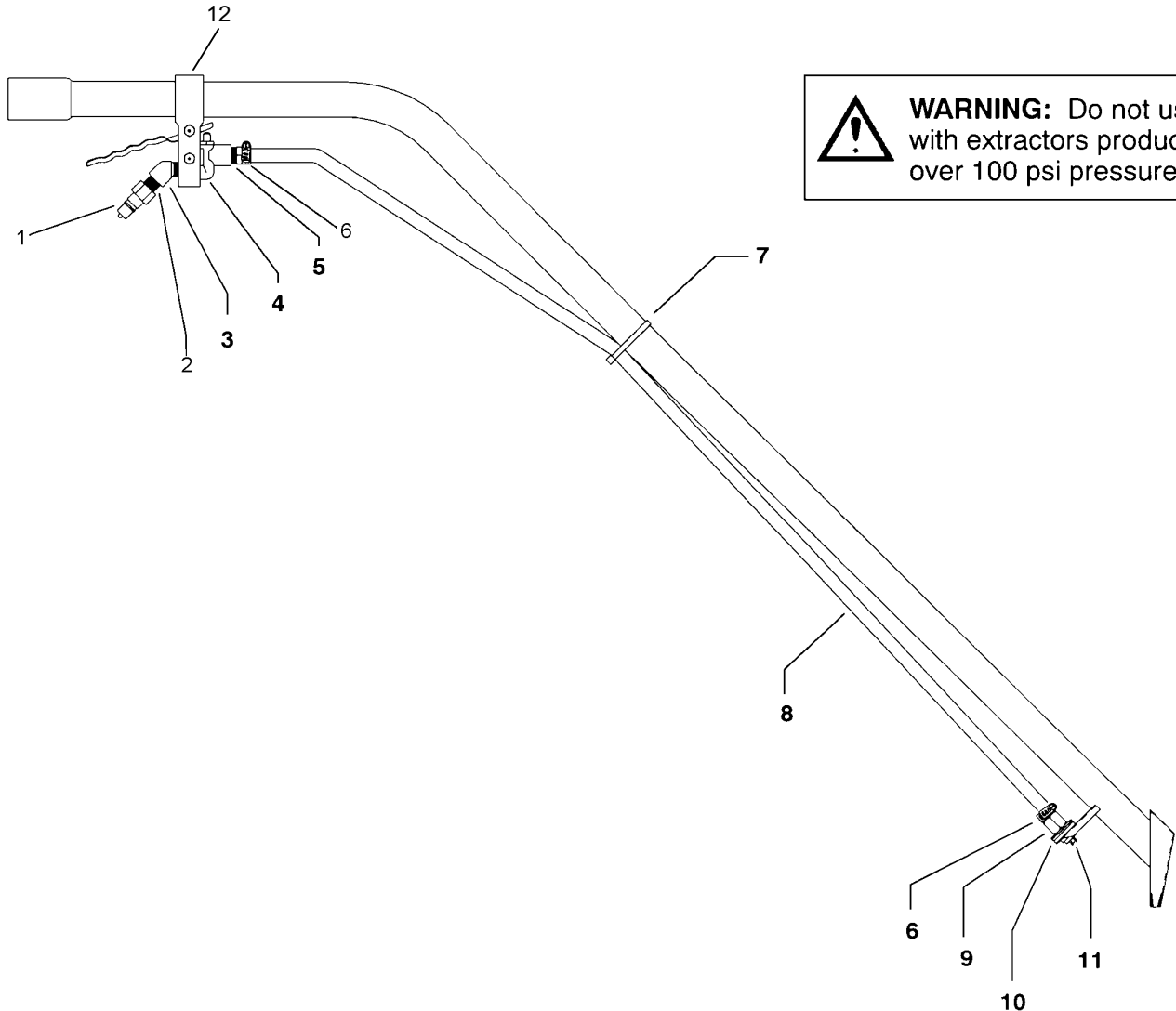
REF	PART NO.	PRV NO.	DESCRIPTION	SERIAL NO. FROM	NOTES:
1	86259130	89088	Wand, Triggerjet		
2	86233090	20016	Clamp, ¼ ID Hose		
3	86198470	22015	Coupler, ¼ Quick Disconnect		
4	86197500	40009	Hosebarb, ¼ MPT x ¼		
5	86280770	39018	Hose, ¼ " Blue x 4'		



PRIOR TO JULY 2000

REF	PART NO.	PRV NO.	DESCRIPTION	SERIAL NO. FROM	NOTES:
1	86163380	41339	HOUSING, HANDTOOL CST		
2	86163830	70629	SCR, HANDTOOL		
3	86164240	78398	TIP, RETAINER		
4	86241660	44069	JET, 8003VP		
5	86162990	34333	FILTER, SPRAY		
6	86162550	04083	ADAPTER, HANDTOOL VALVE		
7	86163240	38297	HANDLE, (ENCLOSED) SPRAY CST		
8	86233090	20016	CLAMP, ¼ ID HOSE		
9	86281060	39265	HOSE, ¼ NYLOBRAID X 8"		
10	86197500	40009	HOSEBARB, ¼ MPT X ¼ HB		
11	86005580	56012	NIPPLE, ¼ FPT QUICK DISCONNECT		
12	86163550	57259	NUT, COLLAR HANDTOOL		
13	-	27791	COLLAR, HANDTOOL CST		
14	86163840	70630	SCR, COLLAR HANDTOOL		
15	86163230	38282	HANDLE, SPRAY		
16	86163320	40074	HOSEBARB, ¼ FPT		
17	86163610	59036	O-RING, HOSEBARB		

SPW ACCESSORY WAND

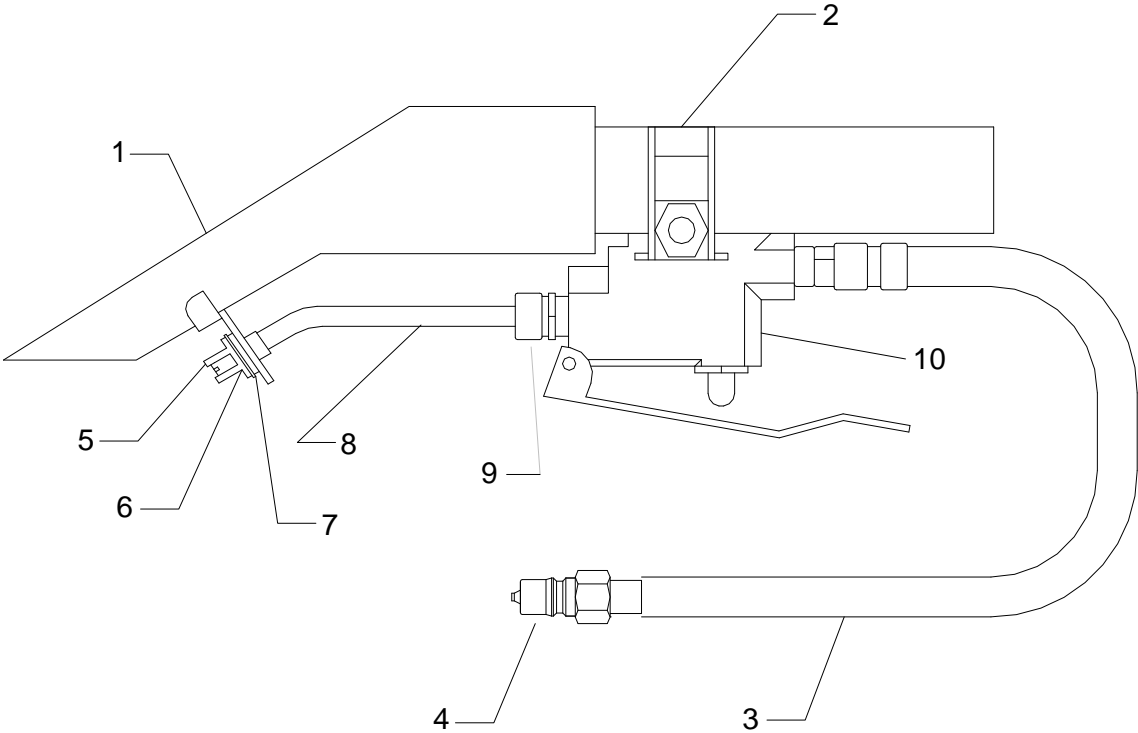


WARNING: Do not use with extractors producing over 100 psi pressure.

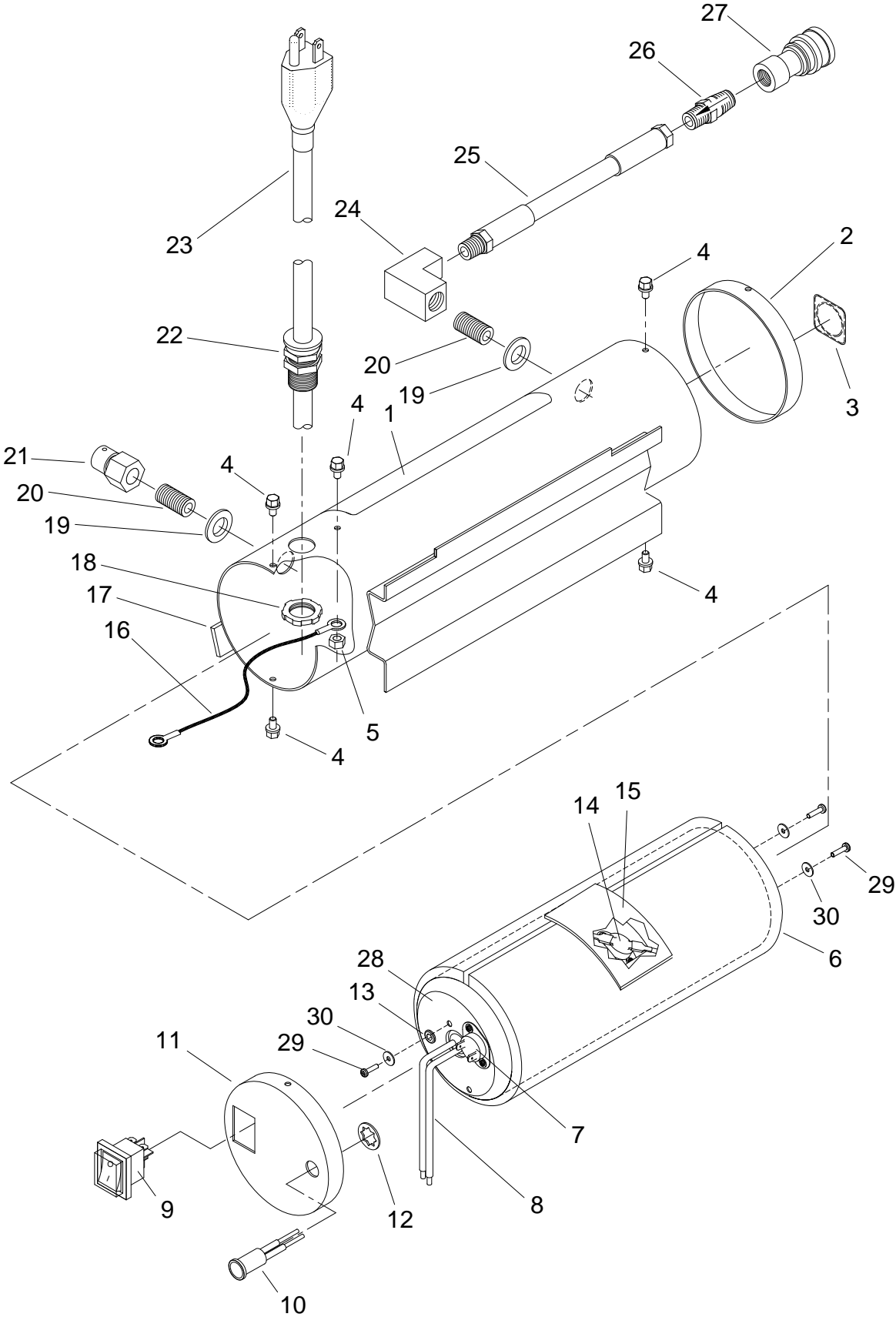
REF	PART NO.	PRV NO.	DESCRIPTION	SERIAL NO. FROM	NOTES:
1	86005580	56012	Quick Disconnect, ¼ FPT		
2	86005590	56014	Nipple, ¼ MPT Close		
3	86197390	31021	Elbow, 45° ¼ MPT x FPT St		
4	86010490	84018	Valve, Solution		
5	86197500	40009	Hosebarb, ¼ MPT x ¼		
6	86233090	20016	Clamp, ¼" Dia. Hose		
7	86264940	27051	Cable Tie, 10.75"		
8	86134550	99225	Hose, ¼ ID, 250psi blue x 3.7'		
9	86197530	40012	Hosebarb, ¼ FPT x ¼		
10	86090230	87015	Washer, 9/16 Flat		
11	86241630	44049	Jet, H ¼, 11004 brass		
12	86230290	140440	Brkt, 1 1/4" valve mount SPW		

HAND TOOL & PARTS LIST

REF	PART NO.	PART NO.	DESCRIPTION	SERIAL NO. FROM	NOTES:
1	86135860	41422	HOUSING, HANDTOOL SPOTTER		
2	86233160	20053	CLAMP, DHT VALVE		
3	86135800	39618	HOSE ASM, HT VALVE 12"		
4	86005580	56012	NIPPLE, 1/4 FPT QD		
5	86135950	44074	JET, ASM W/O RING		
6	86274740	70268	SCR, 8-32 X1/4 PHST PLTD		
7	86136390	62918	PLATE, RETAINER W/SCRS		
8	86136190	54181	MANIFOLD, SPOTTER 3/16		
9	86135650	34384	FITTING, 1/8MPT X 3/16 COMP		
10	86258950	84189	VALVE ASM, BRASS HT		
-	86000020	HT	HAND TOOL		ASSEMBLY



PROH2 HEATER



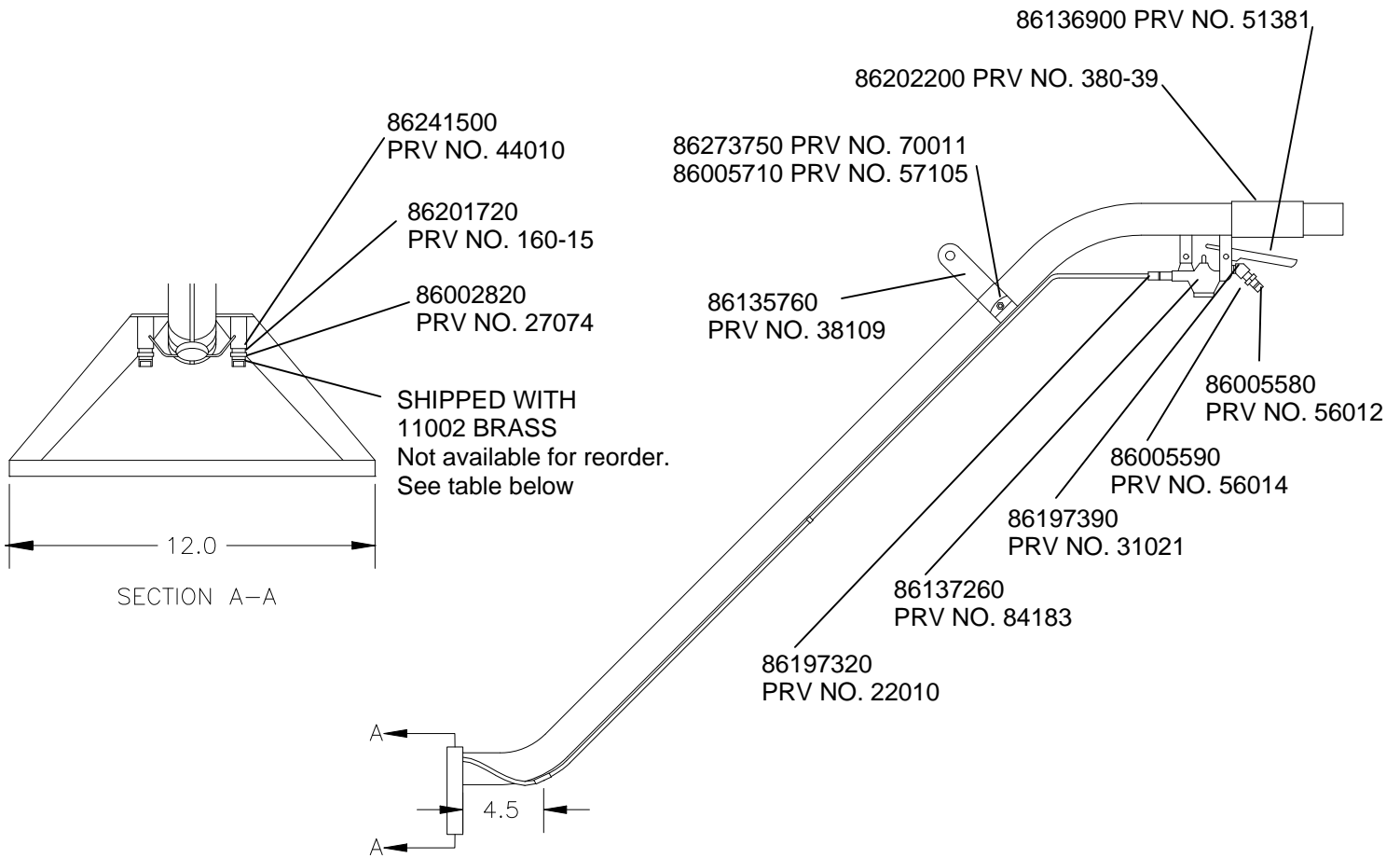
PROH2 HEATER

REF	PART NO.	PRV NO.	QTY	DESCRIPTION	SERIAL NO. FROM	NOTES:
1	86161750	48-941396	1	LABEL, HEATER WARNING PROCHEM		
2	86241010	41504	1	HOUSING, CAP OUTLET END NU		
3	86245650	50776	1	LABEL, FOR SAFETY		
4	86006790	70351	5	SCR, 10-32 X 3/8 HHTR W/STAR		
5	86005700	57104	1	NUT, 10-32 W/STAR WASHER PLTD		
6	86241470	41513	1	INSULATION, HEATER		
7	86201790	130-14C	1	THERMOSTAT RESET 302		
8	86199980	130-14	1	HEATER ELEMENT 110V		
9	86162010	32-900195	1	SWITCH, DPST, LGHTD RCKR GRN		
10	86246490	51041	1	LIGHT, 115V NEON INDICATOR		
11	86241000	41503	1	HOUSING, CAP SWITCH END NU		
12	86233480	22046	1	CLIP, NEON LAMP		
13	86006180	66095	1	PLUG, 1/8 MPT HEX BRASS		
14	86201810	130-14I	1	THERMOSTAT W/SPADE LEADS		
15	86264110	41514	1	INSULATION PAPER		
16	86268800	88623	1	WIRE, 4" G/Y/14 76010 X 76010		
17	86092890	41502	1	HOUSING ASM, HEATER PORT NU		
18	86005670	57040	1	NUT, 1/2 NPT CONDUIT		
19	86202230	390-09A	2	WASHER, 9/16 S/S USS-THICK		
20	86005590	56014	2	NIPPLE, 1/4 CLOSE		
21	86005580	56012	1	NIPPLE 1/4 FPT QD		
22	86256240	73505	1	STRAIN RELIEF, 1/2 NPT TRUMPET		
23	86199530	060-04	1	CORD ASM, 12/ SJT X 25' BLK		
24	86197370	31017	1	ELBOW, 1/4 FPT X 1/4 FPT		
25	86200400	39709	1	HOSE, PULSE 47-1/4 FPT X 1/4 MPT		
26	86258780	84144	1	VALVE, CHECK 0-800 PSI, 1/4 MPT		
27	86002450	22015	1	COUPLER, 1/4 QD		
28	86326680	-	1	HEATER CART, CASE WELDED		
29	86200870	300-06A	3	PAN HD SH MTL SCREW 6 X 3/16 B		
30	86010650	87018	3	WASHER, #10 X 9/16 OD		

PRO SPRAY TOOL

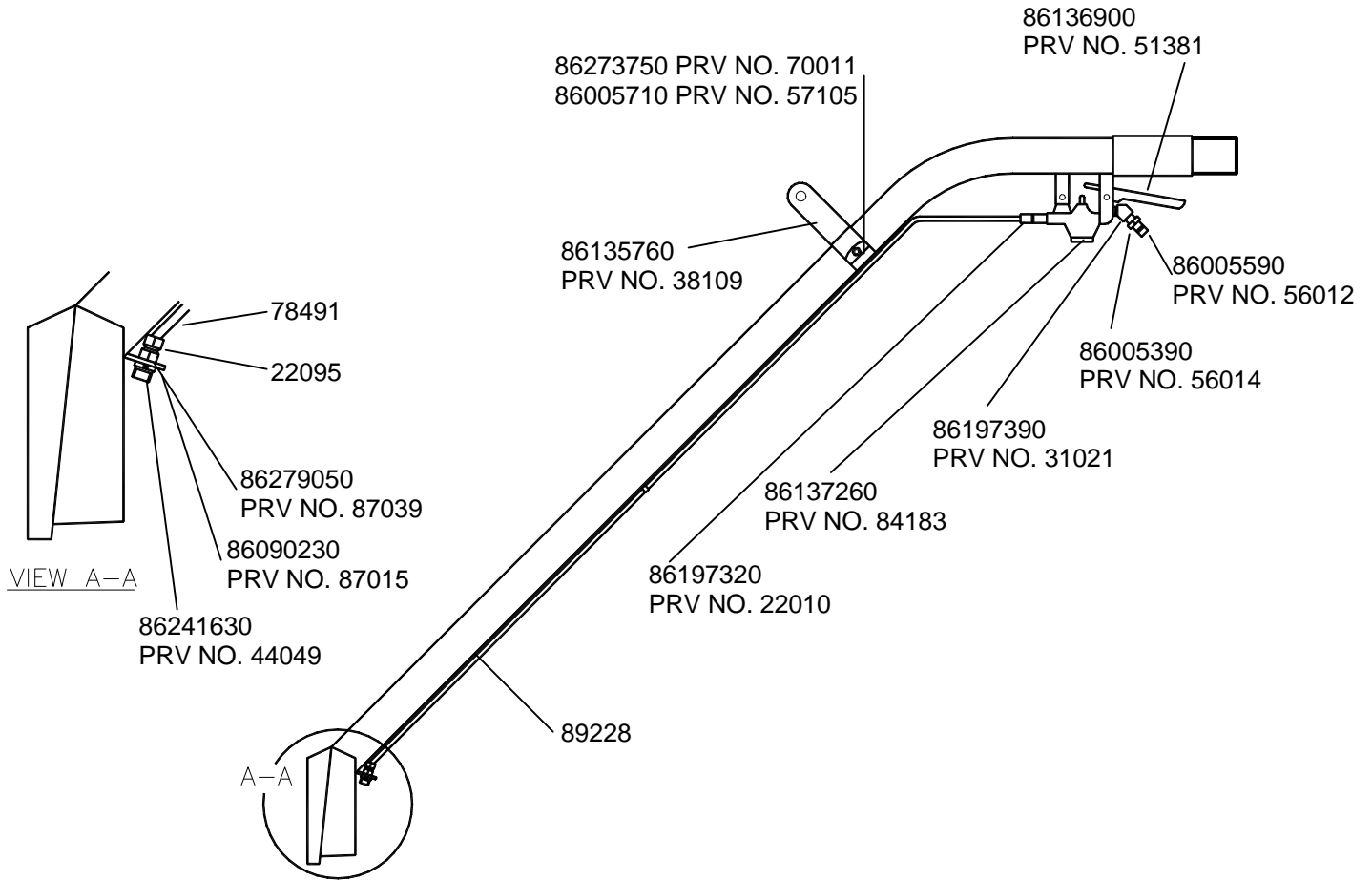
REF	PART NO.	PRV NO.	QTY	DESCRIPTION	SERIAL NO. FROM	NOTES:
1	86134490	99667	2"	HEAT SHRINK, 3/4 ID UL/CSA		
2	86233090	20016	2	CLAMP, 1/4 ID HOSE		
3	-	730044	1	STRAP ASM 1" W BLACK W/CLIPS		
4	86272850	67152	2	KEY RING 1"		
5	86256180	73195	5	STRAIN RELIEF, 1/2 NPT (.48ID)		
6	86199520	060-03	1	CORD 15' BLK 16/3 SJTW/A PLUG		
7	86200570	170-41	1	LABEL CIRCUIT INTERUPTER		
8	86090830	065-03A	1	CORD WRAP FOR TURBO X		
9	86273810	70018	2	SCR, 1/4-20 X 1 HHCS SS		
10	86005810	57245	2	NUT, 1/4-20 HEX NYLOCK SS		
11	86010630	87013	2	WASHER, 1/4 ID X 5/8 OD SS		
12	86010690	87068	4	WASHER, 1/8 RIVET BACKUP		
13	86256960	72142	1	SWITCH, SPST 15A EURO ROCKER		
14	86005670	57040	2	NUT, 1/2 NPT CONDUIT		
15	86060250	41404	1	HOUSING, TURBO II DK BLU (MLD)		
16	OPEN	-	-	-		
17	86090910	065-05	1	PLATE, PUMP COVER TURBO II		
18	86201410	250-63	1	SHURFLO 50PSI PUMP		
19	86199340	240-18A	1	CAP 2 1/2 GAL. JUG		
20	86201920	240-18	1	TURBO II JUG		
21	OPEN	-	-	-		
22	86200280	250-12	2	HOSEBARB, 3/8 MPT X 1/4 90D		
23	86005700	57104	2	NUT 10-32 W/STAR WASHER PLTD		
24	86282140	39585	1	HOSE, 1/4 URETHANE X 63"		
25	86006890	70424	6	SCR, 8-32 X 5/8 HHMS PLTD		
26	86278990	87017	6	WASHER, #8 FLAT		
27	86270850	57026	6	NUT, 8-32 HEX NYLOCK SS		
28	86201600	290-10	1	STRAINER 1/4 BARB S/S		
29	86274410	70195	1	SCREW, 10-32 x 1.25		
30	OPEN	-	-	-		
31	OPEN	-	-	-		
32	OPEN	-	-	-		
33	86256200	73200	1	STRAIN RELIEF, 1/2 NPT FLEX		
34	OPEN	-	-	-		
35	86282130	39584	1	HOSE, 1/4 NYLOBRAID X 8'		
36	86201280	280-01	4	RIVET AL. 1/8 X 1/2		
37	86201910	110-13	2	TURBO WAND HOLDER		
38	86284710	381-12	1	WAND TURBO PVC		
39	86242230	500009	1	LABEL, WARNING		
40	86010650	87018	8	SP WASHER #10 X 9/16 OD		
41	86276240	70614	3	SCR, 10-32 X 1 1/8 PPHMS SS		
42	86270990	70776	3	NUT 10-32 HEX NYLOCK SS		

89226 DELUXE PROFESSIONAL



PART NO.	PRV NO.	PUMP PRESSURE	JET
86201760	160-32	200 PSI	11015 SS
86201670	160-27	500 PSI	9501 SS
86241570	44042	100 PSI	11002 SS

89227 STANDARD WAND



PART NO.	PRV NO.	PUMP PRESSURE	JET
86241660	44049	100 PSI (SHIPPED WITH WAND)	11004 BRASS