



## Electronic Service Manuals

This electronic document is provided as a service to our customers. We do not create the contents of the information contained in this document. Should you have detailed questions pertaining to the information contained in this document, you may contact Michco, or the manufacturer which provided the original information in this electronic deliverable. Michco's only part in this electronic deliverable was the electronic assembly process. By providing this manual on line we are not guaranteeing parts availability.

You may contact Michco through the following methods:

Phone (517) 484-9312 or (800) 331-3339

2011 N. High St. -- Lansing, Michigan -- 48906

Fax: (517) 484-9836

Email: [CustServe@Michco.com](mailto:CustServe@Michco.com)

Web site: [www.Michco.Com](http://www.Michco.Com)

Parts Web site: [www.FloorMachineParts.Com](http://www.FloorMachineParts.Com)

Order Parts on Line at:

**[www.FloorMachineParts.Com](http://www.FloorMachineParts.Com)**

Directly to Parts & Service:

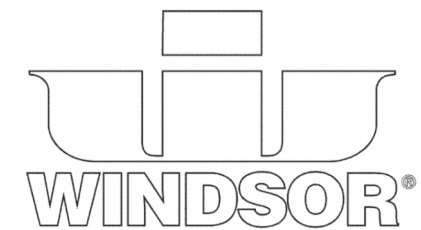
By Email: **[Shop@Michco.com](mailto:Shop@Michco.com)**

By Fax: (517) 702-2041

By Voice: Use numbers above.

**Serving the Cleaning Industry Since 1922**

Notice: All copyrighted material remains property of original owners, all trademarks are property of respective owners. Manuals are subject to Manufacturer's reproduction limitations. Originals or reproductions were provided by manufacturers through a request. We make no warranty as to the correctness of information provided in this document and you assume all risk. By placing these manuals on line we are not declaring our corporation to be an manufacturer authorized dealer or provider, please check our web site for authorized manufacturers we represent.



**Spare parts list**  
**(5.971-014.0) Spare parts list Saber Blade 12**

## Table of contents

---

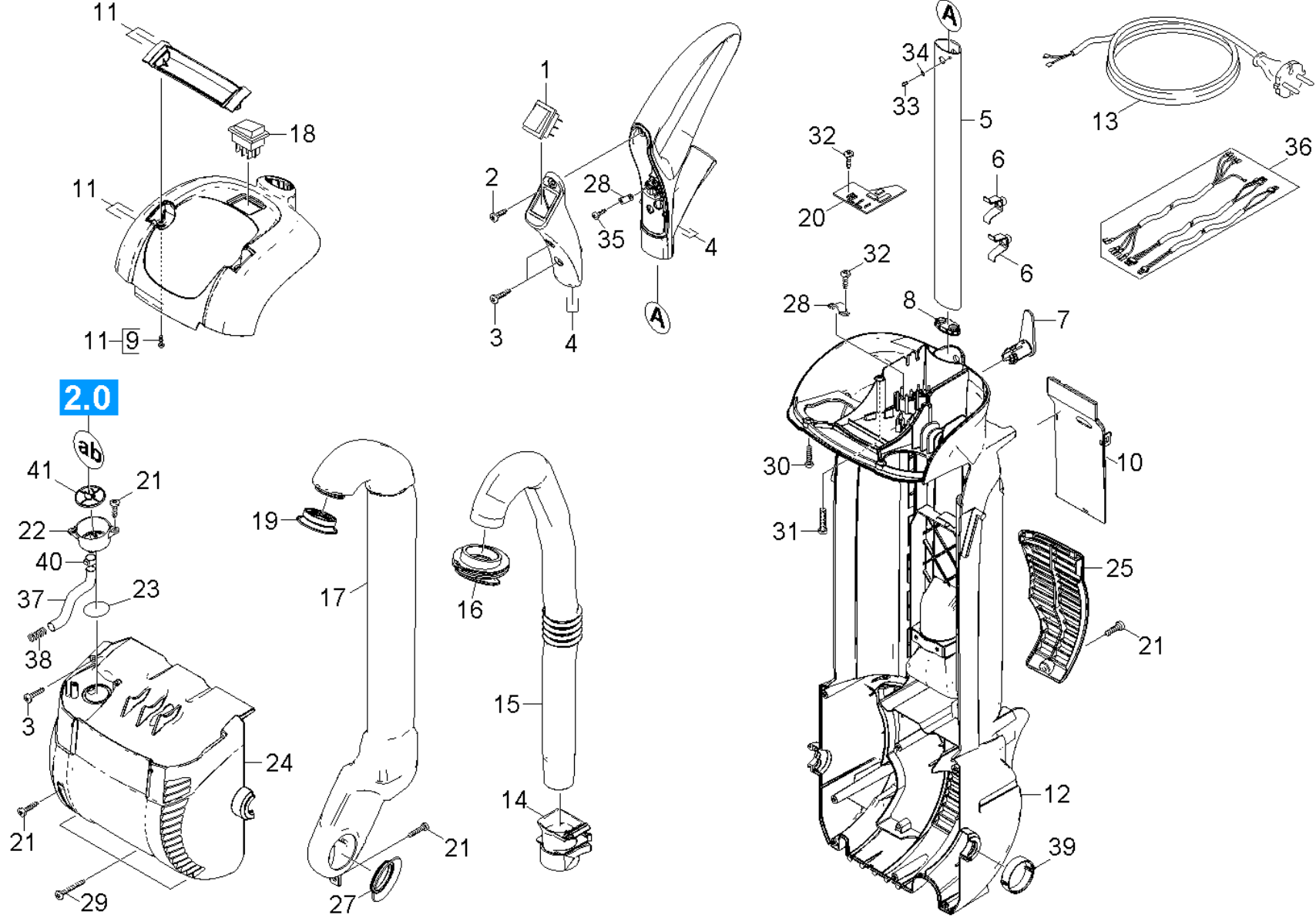
<b>Spare parts list Saber Blade 12 (5.971-014.0)</b> .....	<b>3</b>
10 Housing (0.105-891.0).....	4
20 Tank (0.105-892.0).....	7
30 Turbine (0.105-893.0).....	9
40 Brush-head (0.105-894.0).....	11
50 Add-on kit carpet cleaning (0.110-087.0).....	15

**Spare parts list Saber Blade 12 (5.971-014.0)**

---

Pos	Material #	Name
10	0.105-891.0	Housing
20	0.105-892.0	Tank
30	0.105-893.0	Turbine
40	0.105-894.0	Brush-head
50	0.110-087.0	Add-on kit carpet cleaning

---

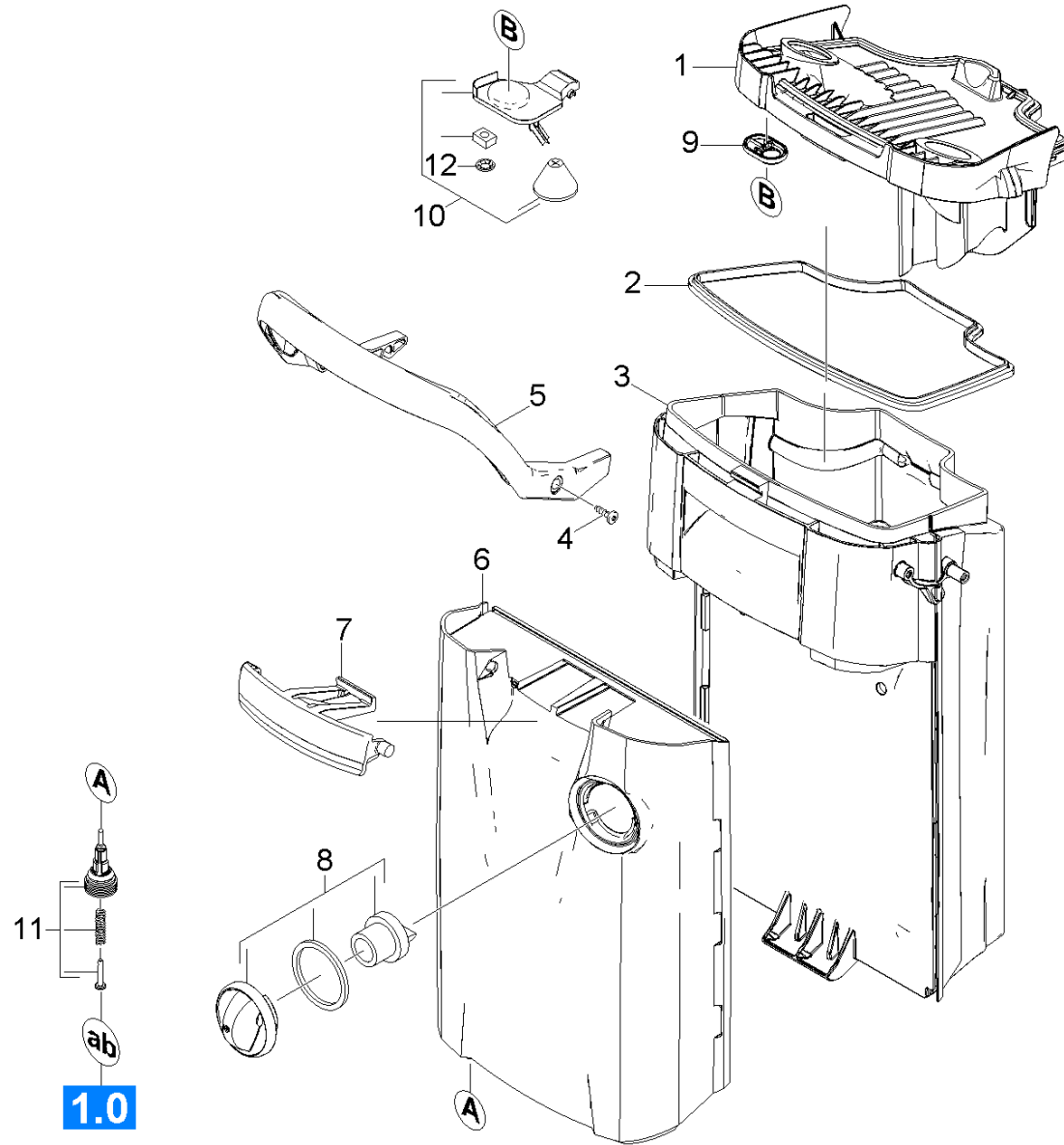


## 10 Housing (0.105-891.0)

ET/VT (spare/wear parts)	Pos	Material #	Name	Qty.	Unit	var. information
X	1	6.630-434.0	Switch two-pole	1.000	ST	
X-X	2	7.303-212.0	Screw 5x20 -A2-70 (In6Rd)	8.000	ST	
	3	7.303-118.0	Screw 5x40 -A2-70 (IN6Rd)	2.000	ST	
	4	4.033-170.0	Handhold complete replacement	1.000	ST	
	5	5.033-228.0	Handle Alu	1.000	ST	
	6	5.033-195.0	Spring handle	2.000	ST	
X	7	5.033-494.0	Catch for cable grey	1.000	ST	
	8	5.033-196.0	Plug handle	1.000	ST	
X-X	9	7.303-107.0	Screw 5x16 -10.9-P2R (K-In6Rd)	2.000	ST	
	10	5.033-175.0	Covering cap cable	1.000	ST	
	11	4.033-162.0	Covering cap housing replacement	1.000	ST	
	12	5.033-172.0	Housing	1.000	ST	
	13	6.649-600.0	Power cable 10m *USA	1.000	ST	*US
	14	5.033-496.0	Sleeve suction tube grey	1.000	ST	
	15	5.033-179.0	Suction pipe tank	1.000	ST	
	16	5.363-688.0	Sealing lip SWT-SL-SB	1.000	ST	
	17	5.033-178.0	Suction pipe turbine	1.000	ST	
X-X	18	6.630-385.0	Switch	1.000	ST	
	19	5.363-687.0	Sealing lip SWT-SL-T	1.000	ST	
	20	6.682-974.0	Distribution circuit board BR 30/4 C	1.000	ST	
X-X	21	7.303-104.0	Screw 5x16 -A2-70 (IN6RD)	3.000	ST	
	22	5.033-190.0	Funnel valve	1.000	ST	
	23	6.362-604.0	O-Ring seal 27,0 X 3,0	1.000	ST	
	24	5.033-173.0	Motor housing	1.000	ST	
	25	5.033-174.0	Flap ventilation	1.000	ST	

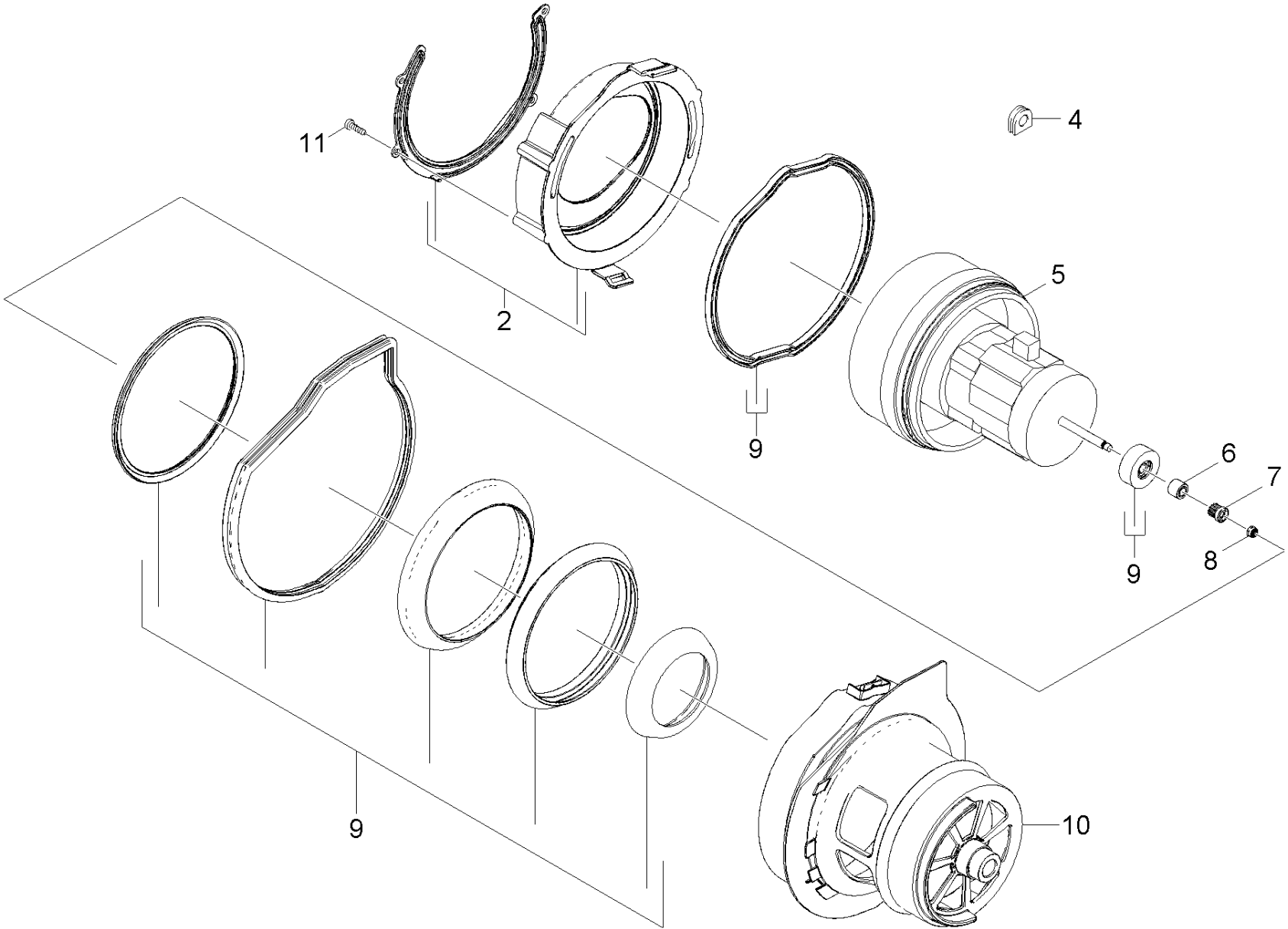
## 10 Housing (0.105-891.0)

ET/VT (spare/wear parts)	Pos	Material #	Name	Qty.	Unit	var. information
	27	5.363-689.0	Sealing lip vac motor SL	1.000	ST	
	28	6.373-319.0	Cable clamp R 8	2.000	ST	
X	29	7.303-268.0	Screw 5x30 -A2-70 (In6Rd)	3.000	ST	
X-X	30	7.303-086.0	Screw 5x30 -10.9-R2R (K-In6Rd)	2.000	ST	
	31	6.303-294.0	Screw 5x65-10.9-A2K (Kombi-IN6RD)	2.000	ST	
	32	7.303-095.0	Screw 4x 12-ST-10.9-R2R (IN6RD)	4.000	ST	
X	33	7.303-030.0	Screw M4x8 -St-P2R (In6Rd)	1.000	ST	
	34	7.312-230.0	Serrated lock washer A4,3-FSt-A3E DIN67	1.000	ST	
X-X	35	7.303-102.0	Screw 3,5x12 -A2-70-bk (In6Rd)	2.000	ST	
	36	4.822-540.0	Cable harness BR 30/4 C	1.000	ST	
	37	5.441-074.0	Piece of tube DN6 350mm	1.000	ST	
	38	5.332-973.0	Spring 0,7x5,2x300	1.000	ST	
	39	4.250-079.0	BEARING SHELL kpl.	1.000	ST	
X	40	6.388-701.0	Hose clip with insert 13,3	1.000	ST	
X-X	41	5.033-274.0	Strainer insert funnel	1.000	ST	



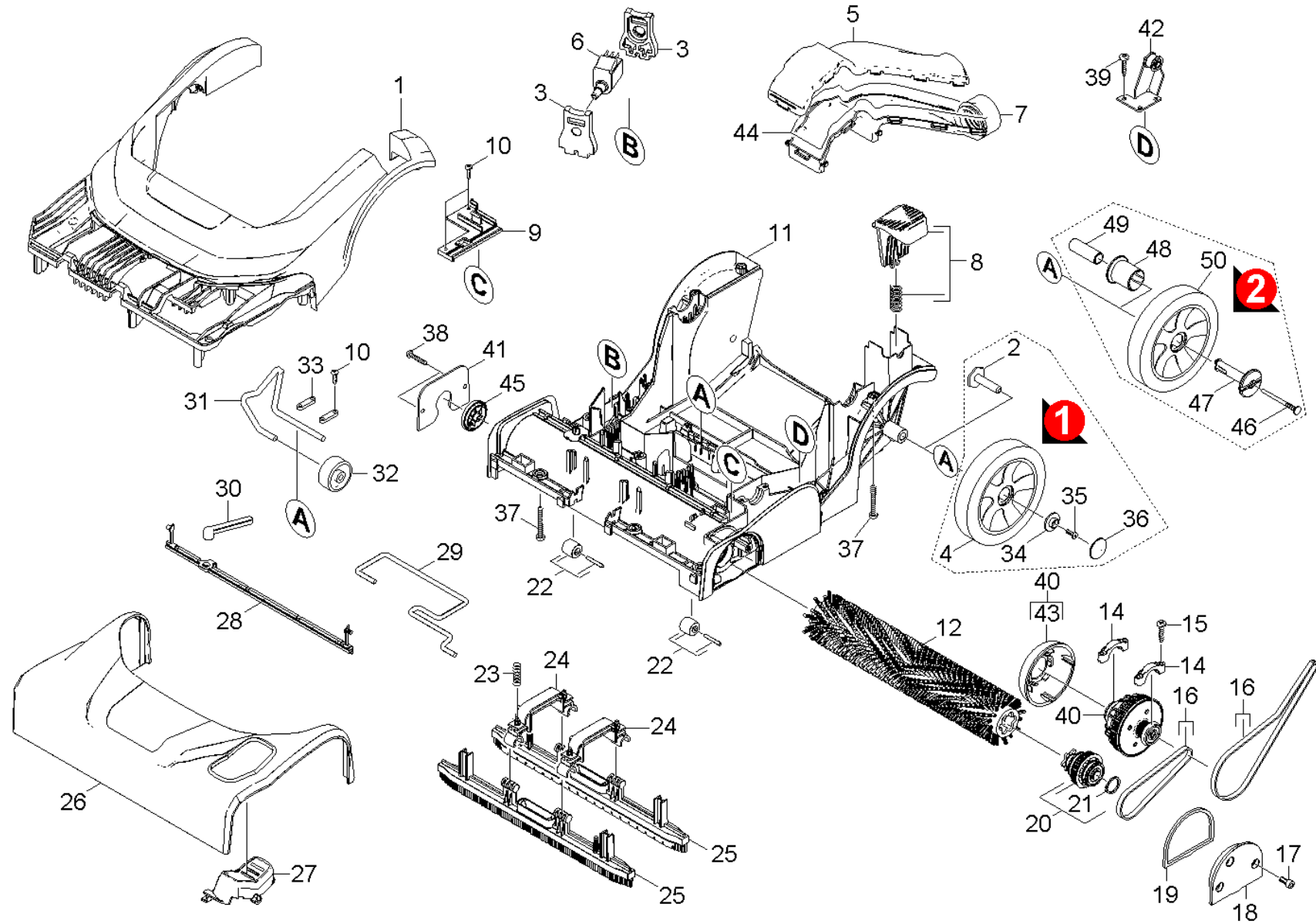
**20 Tank (0.105-892.0)**

ET/VT (spare/wear parts)	Pos	Material #	Name	Qty.	Unit
	1	5.033-181.0	Cover waste water tank	1.000	ST
	2	5.363-711.0	Seal cover tank SW	1.000	ST
	3	5.033-491.0	Waste water tank blue	1.000	ST
X-X	4	7.303-107.0	Screw 5x16 -10.9-P2R (K-In6Rd)	2.000	ST
	5	5.033-183.0	Carrier handle tank	1.000	ST
	6	4.033-492.0	Fresh water tank blue replacement	1.000	ST
	7	5.033-186.0	Notch fresh water tank	1.000	ST
X-X	8	4.033-187.0	Fuel tank filler cap replacement	1.000	ST
	9	5.363-702.0	Seal float	1.000	ST
X-X	10	4.033-182.0	Float replacement	1.000	ST
X-X	11	4.190-258.0	Valve fresh water tank	1.000	ST
X-X	12	6.343-149.0	Quick-fastener	1.000	ST



**30 Turbine (0.105-893.0)**

ET/VT (spare/wear parts)	Pos	Material #	Name	Qty.	Unit
	2	4.033-176.0	Cover enclosure replacement	1.000	ST
	4	6.648-064.0	Cable bushing	1.000	ST
X	5	4.490-243.0	Turbine set USA	1.000	ST
	6	5.033-194.0	Flanged pulley pinion	1.000	ST
X	7	5.033-263.0	Motor pinion z13 M3	1.000	ST
	8	7.311-065.0	Hexagon nut M 5-A2-70 ISO 4032	1.000	ST
	9	4.363-690.0	Set of gaskets	1.000	ST
	10	5.033-176.0	Enclosure motor	1.000	ST
X-X	11	7.303-104.0	Screw 5x16 -A2-70 (IN6RD)	4.000	ST



#### 40 Brush-head (0.105-894.0)

ET/VT (spare/wear parts)	Pos	Material #	Name	Qty.	Unit	Footnote text
	1	5.033-486.0	Covering cap brush-head blue	1.000	ST	
	2	5.033-208.0	Snap-fit wheel	2.000	ST	VERSION 1
	3	5.363-694.0	rubber pump	2.000	ST	
	4	5.515-342.0	Wheel black D121	2.000	ST	VERSION 1
	5	5.033-258.0	Suction channel top part	1.000	ST	
	6	6.473-535.0	Pump	1.000	ST	
	7	5.033-207.0	Suction channel brush-head	1.000	ST	
X-X	8	4.481-000.0	Foot pedal complete only for replacement	1.000	ST	
	9	5.033-238.0	Covering cap plate switch	1.000	ST	
	10	7.303-026.0	Screw 4x16 -A2-70 (In6Rd)	6.000	ST	
	11	5.033-200.0	Housing brush-head	1.000	ST	
X-X	12	4.762-428.0	Roller brush complete BR 30/4 C	1.000	ST	
X-X	12	4.762-452.0	Roller brush complete white	1.000	ST	
X-X	12	4.762-453.0	Roller microfibre complete	1.000	ST	
	14	5.033-222.0	Coupler clamp block	2.000	ST	
	15	7.303-096.0	Screw 4x22 -ST-10.9-R2R (IN6RD)	4.000	ST	
X-X	16	4.348-450.0	Toothed belt set	1.000	ST	
X-X	17	7.303-212.0	Screw 5x20 -A2-70 (In6Rd)	3.000	ST	
	18	5.033-223.0	cover retainer transmission	1.000	ST	
	19	5.363-713.0	Seal Lagerdeckel	1.000	ST	
X-X	20	3.763-098.0	Assembly group brushes drive	1.000	ST	
X-X	21	7.343-001.0	Locking ring 10x1-Rf-St DIN 471	1.000	ST	
	22	4.880-058.0	Roller set	2.000	ST	
X-X	23	5.332-952.0	Spring	4.000	ST	
	24	5.033-224.0	Web suction bar	2.000	ST	

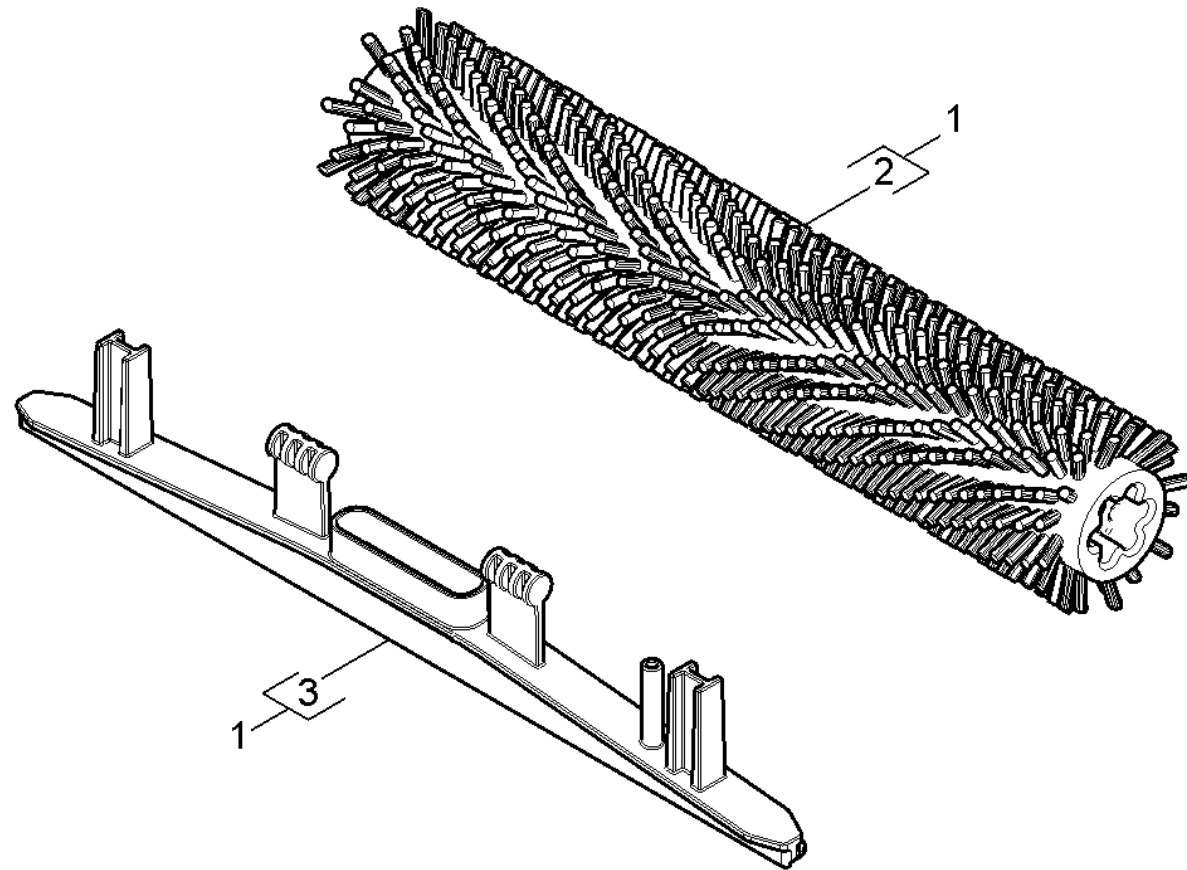
**40 Brush-head (0.105-894.0)**

ET/VT (spare/wear parts)	Pos	Material #	Name	Qty.	Unit	Footnote text
X-X	25	4.777-320.0	Suction bar complete 300	2.000	ST	
X-X	25	4.777-324.0	Suction bar complete oil resistant 300	2.000	ST	
	26	4.033-202.0	Bumper replacement	1.000	ST	
	27	5.033-493.0	Pedal suction bar grey	1.000	ST	
X-X	28	5.190-255.0	Strip water distributor	1.000	ST	
	29	5.034-803.0	Retaining bracket suction bar	1.000	ST	
	30	5.363-698.0	Hose nozzle	1.000	ST	
	31	5.034-826.0	Retaining bracket height adjustment	1.000	ST	
X	32	5.515-069.0	Wheel	1.000	ST	
	33	6.647-513.0	Strain relief	2.000	ZST	
X	34	5.100-591.0	Washer wheel	2.000	ST	VERSION 1
X	35	7.306-181.0	Screw M 5x 12-A2-70 (In6Rd)	2.000	ST	VERSION 1
X-X	36	6.343-224.0	Quick-fastener	2.000	ST	VERSION 1
X	37	7.303-268.0	Screw 5x30 -A2-70 (In6Rd)	12.000	ST	
	38	7.303-269.0	Countersunk screw 4x20 -A2-70 (In6Rd)	2.000	ST	
X-X	39	7.303-104.0	Screw 5x16 -A2-70 (IN6RD)	3.000	ST	
X	40	4.470-043.0	Coupler complete	1.000	ST	
	41	5.009-415.0	Bracket brush	1.000	ST	
	42	4.470-040.0	Pressure roller complete	1.000	ST	
X	43	5.033-269.0	Cap coupler	1.000	ST	
	44	6.273-037.0	Seal string cellular rubber 3	1.000	M	TO ORDER AS CUT GOODS
X	45	5.033-230.0	Thread deflector	1.000	ST	
	46	5.033-279.0	Pin snap-fit wheel	2.000	ST	VERSION 2
	47	5.033-208.0	Snap-fit wheel	2.000	ST	VERSION 2
	48	5.033-264.0	Plain bearing with collar	2.000	ST	VERSION 2

**40 Brush-head (0.105-894.0)**

---

ET/VT (spare/wear parts)	Pos	Material #	Name	Qty.	Unit	Footnote text
	49	5.112-863.0	Bush	2.000	ST	VERSION 2
	50	5.515-338.0	Wheel D121	2.000	ST	VERSION 2



**50 Add-on kit carpet cleaning (0.110-087.0)**

---

ET/VT (spare/wear parts)	Pos	Material #	Name	Qty.	Unit
X-X	1	2.783-005.0	Add-on kit carpet cleaning BR 30/4 C	1.000	ST
X	2	4.762-499.0	Roller brush blue complete 300	1.000	ST
X	3	5.033-275.0	Suction bar carpet cleaning	1.000	ST