



## Electronic Service Manuals

This electronic document is provided as a service to our customers. We do not create the contents of the information contained in this document. Should you have detailed questions pertaining to the information contained in this document, you may contact Michco, or the manufacturer which provided the original information in this electronic deliverable. Michco's only part in this electronic deliverable was the electronic assembly process. By providing this manual on line we are not guaranteeing parts availability.

You may contact Michco through the following methods:

Phone (517) 484-9312 or (800) 331-3339

2011 N. High St. -- Lansing, Michigan -- 48906

Fax: (517) 484-9836

Email: [CustServe@Michco.com](mailto:CustServe@Michco.com)

Web site: [www.Michco.Com](http://www.Michco.Com)

Parts Web site: [www.FloorMachineParts.Com](http://www.FloorMachineParts.Com)

Order Parts on Line at:

**[www.FloorMachineParts.Com](http://www.FloorMachineParts.Com)**

Directly to Parts & Service:

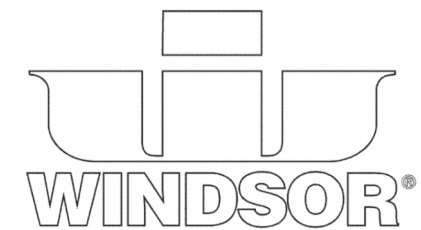
By Email: **[Shop@Michco.com](mailto:Shop@Michco.com)**

By Fax: (517) 702-2041

By Voice: Use numbers above.

**Serving the Cleaning Industry Since 1922**

Notice: All copyrighted material remains property of original owners, all trademarks are property of respective owners. Manuals are subject to Manufacturer's reproduction limitations. Originals or reproductions were provided by manufacturers through a request. We make no warranty as to the correctness of information provided in this document and you assume all risk. By placing these manuals on line we are not declaring our corporation to be an manufacturer authorized dealer or provider, please check our web site for authorized manufacturers we represent.



**Spare parts list**  
**(5.971-060.0) Spare parts list Pivot**

## Table of contents

---

<b>Spare parts list Pivot (5.971-060.0)</b> .....	<b>3</b>
10 Retaining bracket and switch (0.201-344.0) .....	4
11 Retaining bracket (0.201-345.0).....	5
12 Switch (0.201-346.0).....	8
20 Top part (0.201-347.0) .....	10
30 Bottom part individual parts (0.201-356.0) .....	13
31 Brush housing (0.201-357.0).....	14
32 Transmission (0.201-303.0) .....	16
40 Accessories pad roll (0.162-883.0) .....	19

**Spare parts list Pivot (5.971-060.0)**

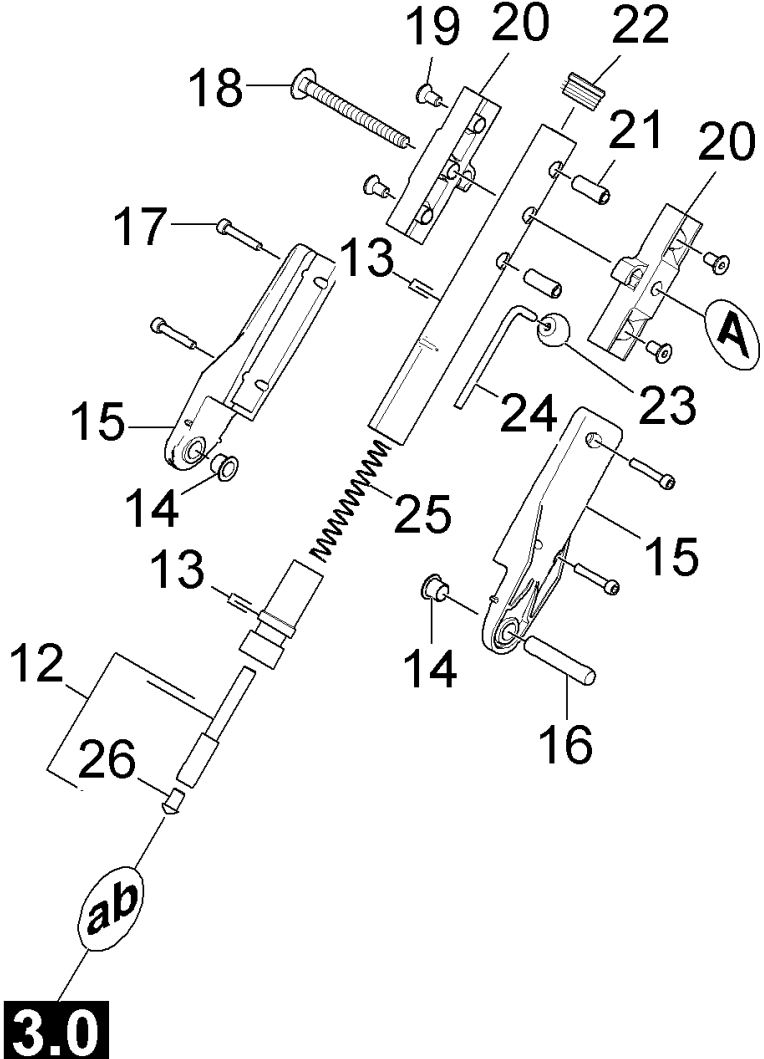
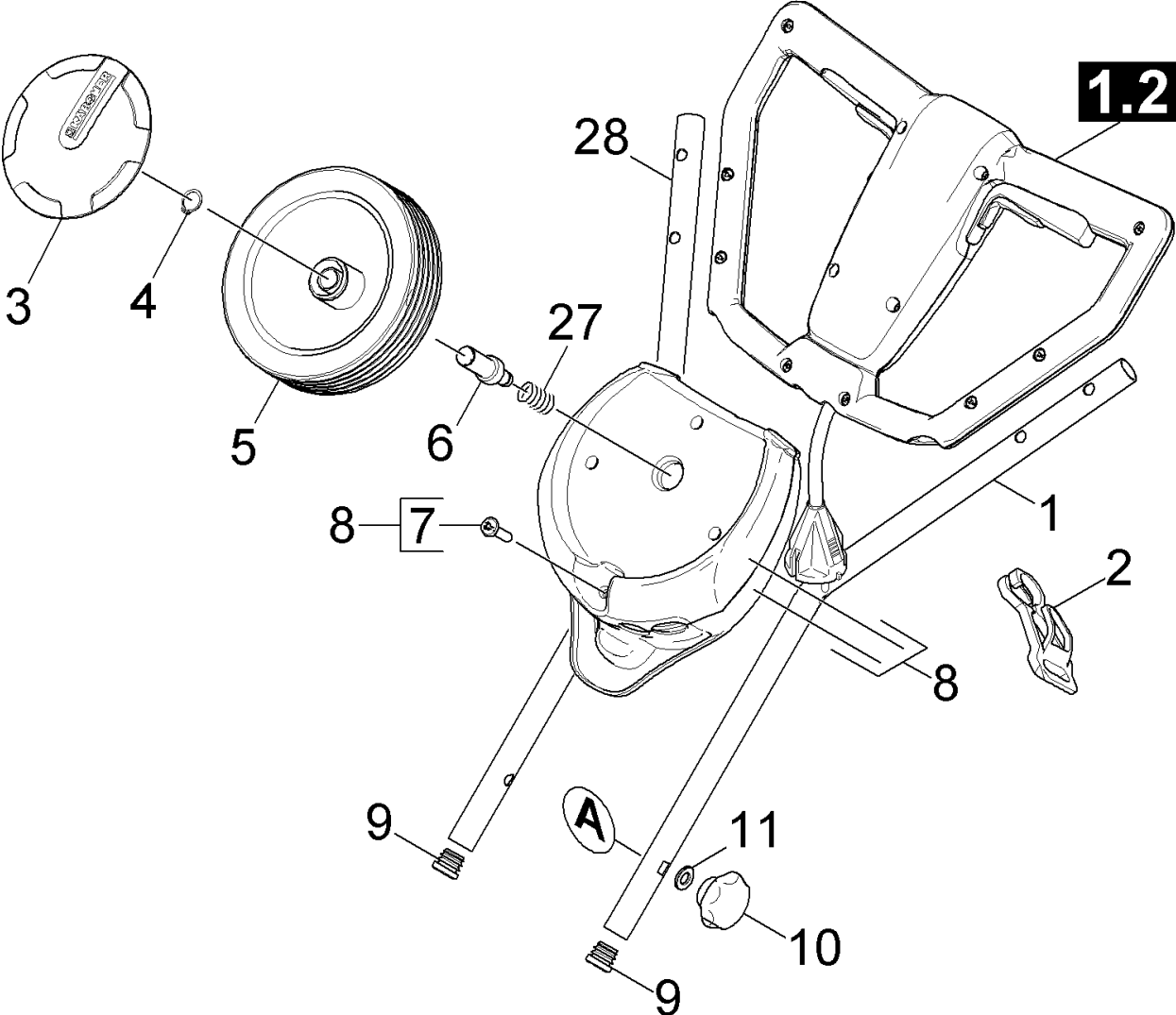
---

Pos	Material #	Name
10	0.201-344.0	Retaining bracket and switch
20	0.201-347.0	Top part
30	0.201-356.0	Bottom part individual parts
40	0.162-883.0	Accessories pad roll

**10 Retaining bracket and switch (0.201-344.0)**

---

Pos	Material #	Name	Qty.	Unit
11	0.201-345.0	Retaining bracket	1.000	ST
12	0.201-346.0	Switch	1.000	ST



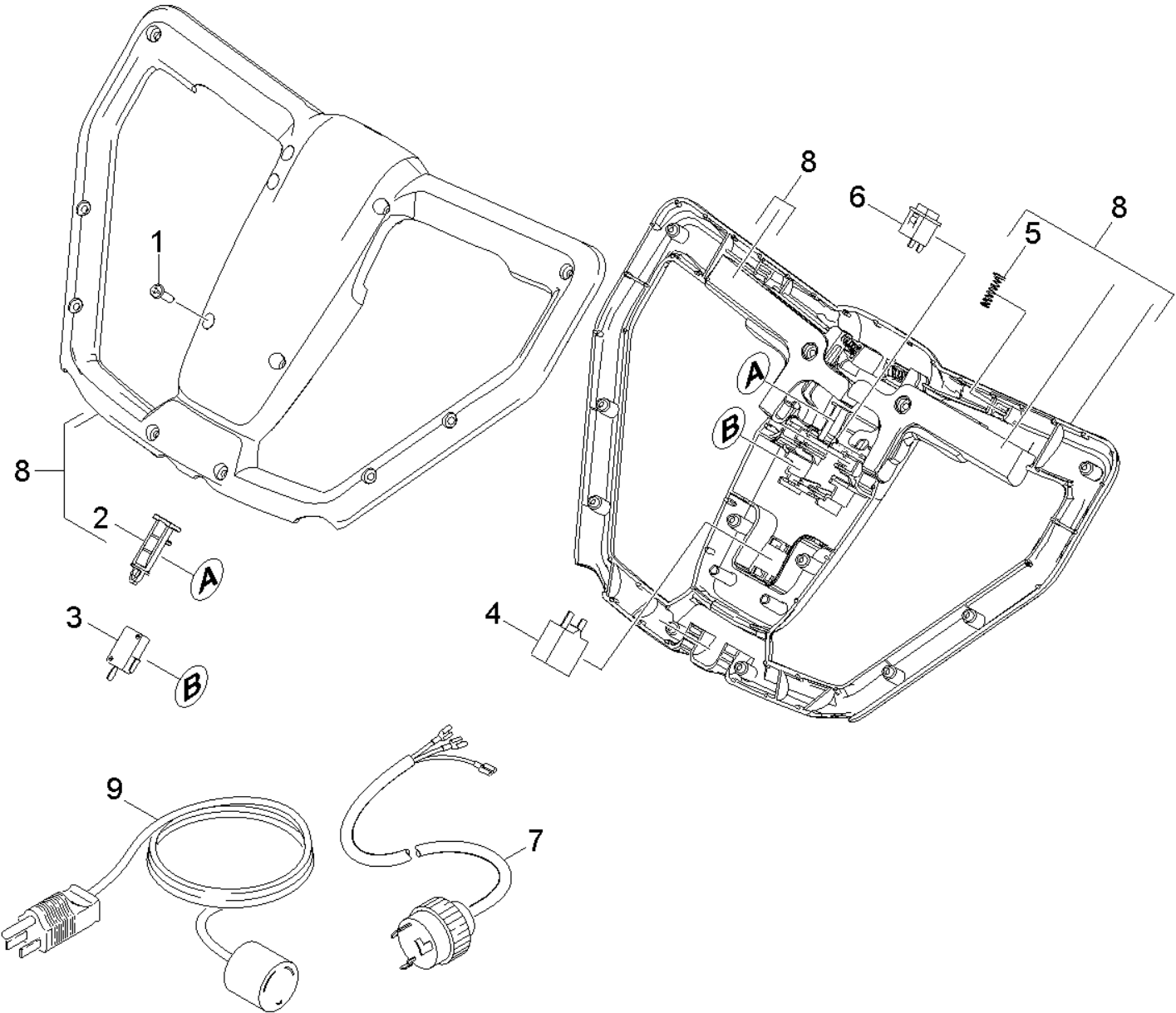
## 11 Retaining bracket (0.201-345.0)

ET/VT (spare/wear parts)	Pos	Material #	Name	Qty.	Unit
	1	5.034-819.0	Retaining bracket top part	2.000	ST
	2	6.641-776.0	Strain relief	1.000	ST
	3	6.435-349.0	Wheel cab black neutrally	2.000	ST
X-X	4	7.343-005.0	Locking ring 16x1-FST-PHR DIN 471	2.000	ST
X-X	5	6.435-196.0	Wheel D 180	2.000	ST
	6	5.034-795.0	Axle feed wheel	2.000	ST
X-X	7	7.303-108.0	Screw 5x20 -10.9-R2R (In6Rd)	1.000	ST
	8	4.783-003.0	Set wheel vat	1.000	ST
	9	6.368-419.0	Drain plug pipe Ø 18-20mm	2.000	ST
	10	6.321-028.0	Star grip K 50	1.000	ST
X-X	11	7.312-005.0	Washer 10-200HV-A3E ISO 7090	1.000	ST
X	12	4.034-162.0	Spring catch bolt cap	1.000	ST
	13	4.034-161.0	Retaining bracket bottom part complete B	1.000	ST
X-X	14	6.347-084.0	Flanged bushing	2.000	ST
	15	5.031-506.0	Moulded part push handle	2.000	ST
	16	5.316-852.0	Bolt joint push handle	1.000	ST
	17	7.306-025.0	Cylinder head screw M 6x35-8.8-A2E ISO4	4.000	ST
	18	7.303-201.0	Saucer-head screw M10x110-ST-A0P DIN 60	1.000	ST
X-X	19	7.305-637.0	Countersunk screw M8x16-A2-70 ISO 10642	4.000	ST
	20	5.034-822.0	Clamping part shearing shackle	2.000	ST
	21	5.110-825.0	Sleeve with female thread	2.000	ST
	22	6.385-783.0	Plug	1.000	ST
	23	7.321-030.0	Spherical head C 25-KU.sw DIN 319	1.000	ST
	24	5.034-821.0	Bar push handle lock-in position	1.000	ST
X-X	25	5.332-320.0	Helical spring	1.000	ST

**11 Retaining bracket (0.201-345.0)**

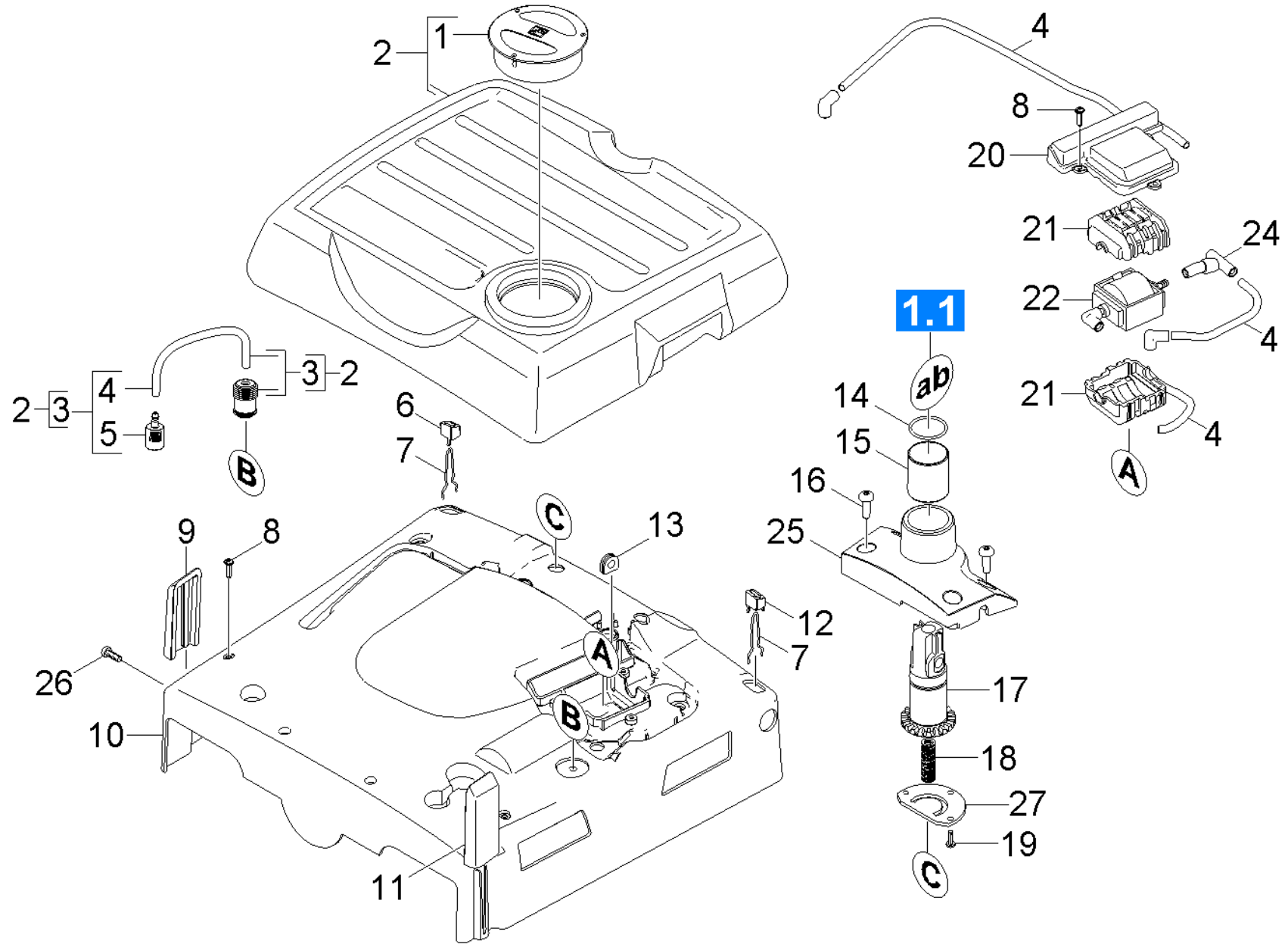
---

<b>ET/VT (spare/wear parts)</b>	<b>Pos</b>	<b>Material #</b>	<b>Name</b>	<b>Qty.</b>	<b>Unit</b>
	26	5.368-002.0	Cap bolt	1.000	ST
	27	5.332-981.0	Pressure spring	2.000	ST
	28	4.034-207.0	Retaining bracket top part replacement B	1.000	ST



**12 Switch (0.201-346.0)**

ET/VT (spare/wear parts)	Pos	Material #	Name	Qty.	Unit
X-X	1	7.303-108.0	Screw 5x20 -10.9-R2R (In6Rd)	12.000	ST
	2	5.050-433.0	Slide of a press switch	1.000	ST
X-X	3	6.630-426.0	Main switch	2.000	ST
	4	6.630-428.0	Motor protecting switch 9A	1.000	ST
	5	5.332-944.0	Spring conical	5.000	ST
X	6	6.630-427.0	Switch water pump	2.000	ST
	7	6.649-696.0	Power cable SaberBlade 16	1.000	ST
	8	4.783-007.0	Set operating unit replacement	1.000	ST
	9	8.623-411.0	CORD SET,14/3 SJTW-A X 50' YLW	1.000	ST



20 Top part (0.201-347.0)

ET/VT (spare/wear parts)	Pos	Material #	Name	Qty.	Unit	Footnote text
X	1	5.063-650.0	Cover	1.000	ST	
	2	4.783-010.0	Tank replacement Pivot	1.000	ST	
	3	4.034-159.0	Valve tank BRS	1.000	ST	
	4	6.388-216.0	Hose DN 5	4.000	M	TO ORDER AS CUT GOODS
X	5	5.731-652.0	Filter with weight	1.000	ST	
	6	5.050-728.0	Pusher rear grey	1.000	ST	
	7	5.034-839.0	Spring feed wheel	2.000	ST	
X-X	8	7.303-108.0	Screw 5x20 -10.9-R2R (In6Rd)	9.000	ST	
	9	5.050-516.0	Ram protection right	1.000	ST	
	10	5.050-909.0	Cover brush housing Pivot	1.000	ST	
	11	5.050-517.0	Ram protection left	1.000	ST	
	12	5.050-726.0	Pusher front feed wheel grau	1.000	ST	
	13	6.648-064.0	Cable bushing	2.000	ST	
	14	6.362-605.0	O-Ring seal 36,17x 2,62	1.000	ST	
	15	6.403-042.0	Plain bearing 40/44x50	1.000	ST	
X-X	16	7.303-069.0	Screw M 8x25-ST-R3R (IN6RD)	4.000	ST	
	17	5.033-479.0	Moulded part beam joint	1.000	ST	
	18	6.330-140.0	Pressure spring	1.000	ST	
X-X	19	7.306-193.0	Screw M6x16 -A2-70 (In6Rd)	3.000	ST	
	20	5.050-410.0	Cover pump	1.000	ST	
	21	5.050-408.0	Bearing pump	1.000	ST	
X-X	22	6.473-532.0	Motor pump 120V 60Hz	1.000	ST	
X	24	4.050-956.0	Check valve	1.000	ST	
X	25	5.050-527.0	Flange drawbar worked	1.000	ST	
	26	6.303-057.0	Countersunk screw 5,0X 16-ST-A2R	2.000	ST	

**20 Top part (0.201-347.0)**

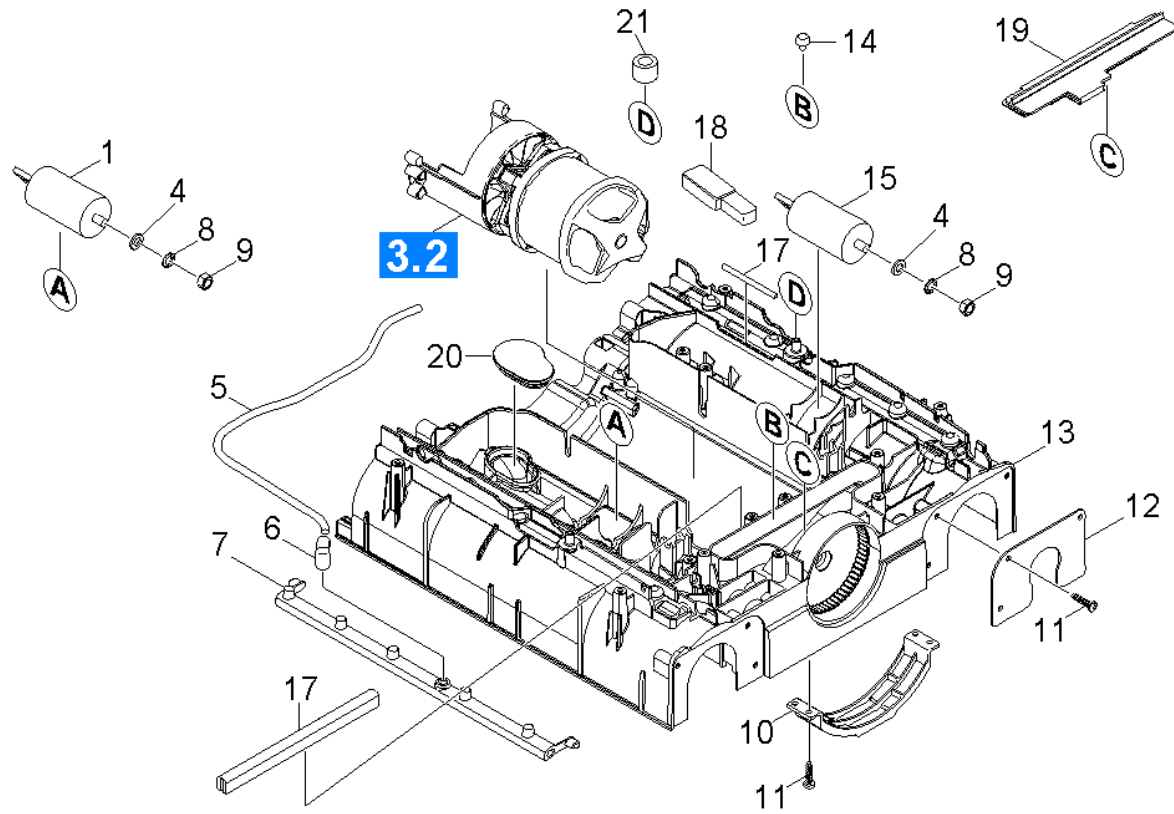
---

ET/VT (spare/wear parts)	Pos	Material #	Name	Qty.	Unit	Footnote text
X-X	27	4.060-835.0	Plate stop swivel joint	1.000	ST	

**30 Bottom part individual parts (0.201-356.0)**

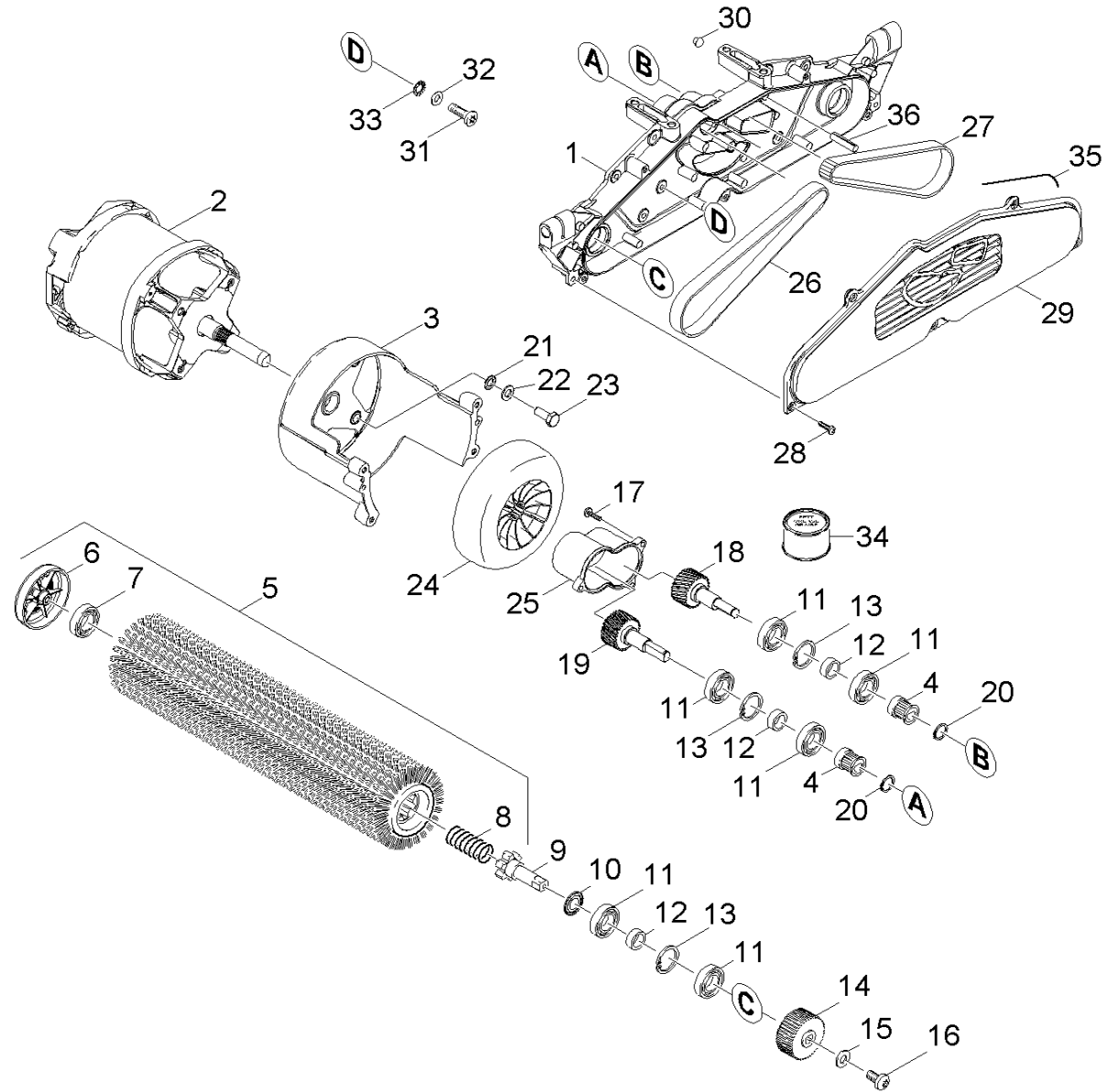
---

Pos	Material #	Name	Qty.	Unit
31	0.201-357.0	Brush housing	1.000	ST
32	0.201-303.0	Transmission	1.000	ST



### 31 Brush housing (0.201-357.0)

ET/VT (spare/wear parts)	Pos	Material #	Name	Qty.	Unit	Footnote text
	1	6.661-220.0	Capacitor	1.000	ST	
X-X	4	7.312-004.0	Washer 8 -200HV-A3E ISO 7090	2.000	ST	
	5	6.388-216.0	Hose DN 5	1.000	M	TO ORDER AS CUT GOODS
	6	5.050-411.0	Angle bushing water distributor	2.000	ST	
	7	5.050-409.0	Water distributor	2.000	ST	
	8	7.312-233.0	Serrated lock washer A8,4-FSt-A3E DIN67	2.000	ST	
X-X	9	7.311-004.0	Hexagon nut M8 -8-A3E ISO 4032	2.000	ST	
X	10	5.050-592.0	Edge protection	2.000	ST	
X-X	11	7.303-212.0	Screw 5x20 -A2-70 (In6Rd)	14.000	ST	
	12	5.034-799.0	Plate brush holder	2.000	ST	
	13	5.050-307.0	Brush housing	1.000	ST	
	14	6.339-249.0	Rubber buffer motor	2.000	ST	
X	15	6.661-221.0	Capacitor	1.000	ST	
X-X	17	6.273-055.0	Profile gasket	2.000	M	TO ORDER AS CUT GOODS
X	18	6.682-975.0	Starting electronic MAS (d) 100-120V	1.000	ST	
	19	5.050-421.0	Sealing carriage	1.000	ST	
	20	5.050-422.0	Sealing air circulation	1.000	ST	
X-X	21	5.034-894.0	Joint ring	2.000	ST	

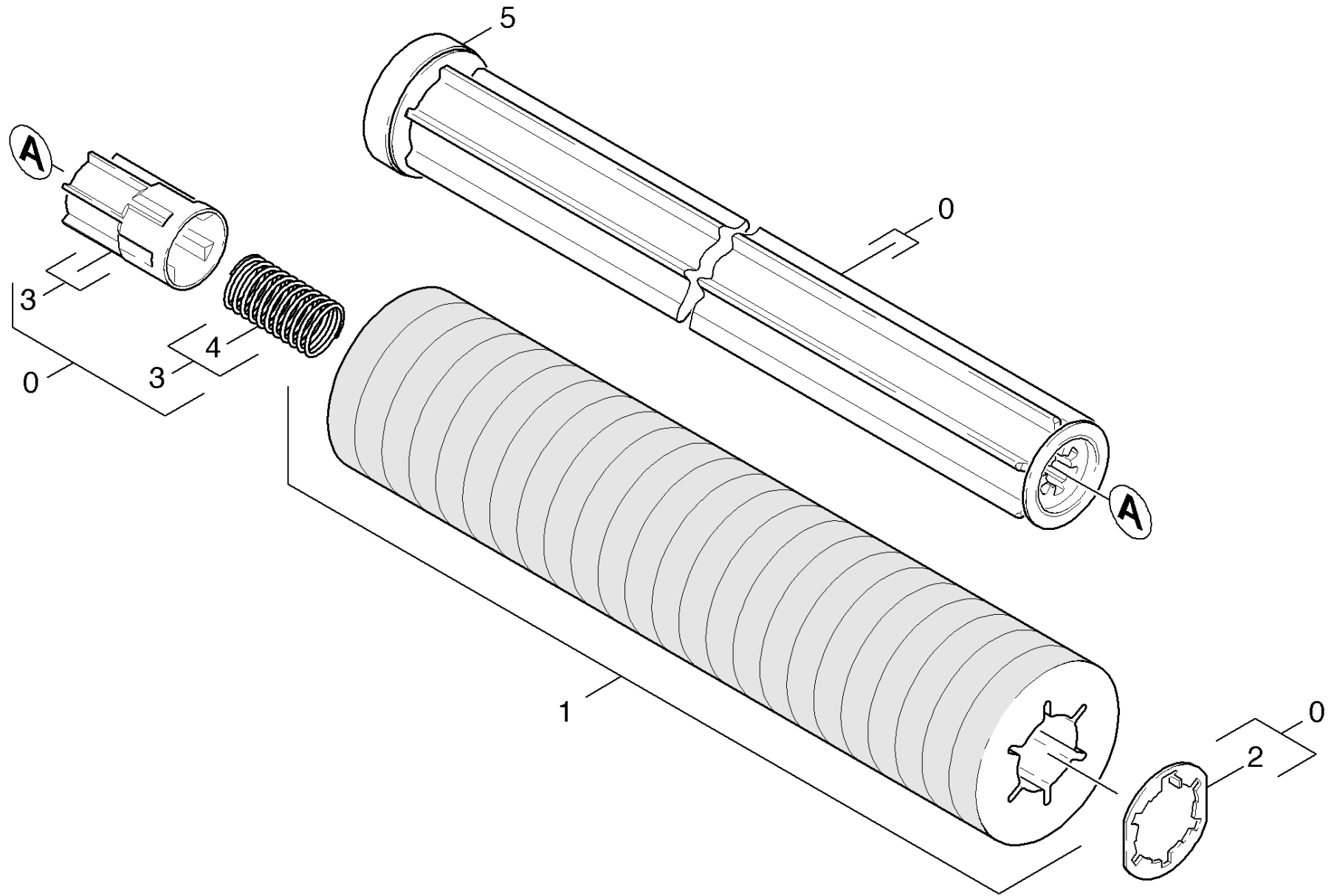


### 32 Transmission (0.201-303.0)

ET/VT (spare/wear parts)	Pos	Material #	Name	Qty.	Unit	var. information	Footnote text
	1	5.050-445.0	Gear case worked	1.000	ST		
	2	6.680-046.0	Electric motor 1,1 kW 120 V	1.000	ST		
	3	5.050-432.0	Flange motor worked	1.000	ST		
X-X	4	5.625-318.0	Belt pulley 21Z	2.000	ST		
X-X	5	4.762-251.0	Roller brush orange (old colour red)	2.000	ST		
X-X	5	4.762-481.0	Roller brush black complete	2.000	ST		
X-X	5	4.762-250.0	Roller brush white (old colour black)	2.000	ST		
X-X	5	4.762-252.0	Roller brush green (old colour grey)	2.000	ST		
X-X	5	4.762-274.0	Roller brush horsehair nature BR VS 400	2.000	ST		
X-X	5	4.762-458.0	Roller brush red complete	2.000	ST		
X-X	6	4.038-677.0	Sheet metal component thread deflector	2.000	ST		
X-X	7	6.401-363.0	Ball bearing	2.000	ST		
X-X	8	5.332-114.0	Helical spring	2.000	ST		
	9	5.100-571.0	Driveshaft 59mm	2.000	ST		
X-X	10	6.363-292.0	Joint ring NILOS 6002	2.000	ST		
X-X	11	7.401-115.0	Ball bearing 6002-2RS -WÄELZLAGST DIN 62	8.000	ST		
X-X	12	5.110-686.0	Spacer sleeve	4.000	ST		
X-X	13	7.343-231.0	Locking ring 32x1,2 -St-ph DIN 472	4.000	ST		
X-X	14	5.625-357.0	Belt pulley 56Z HTD 3M	2.000	ST		
X-X	15	7.312-292.0	Washer 6 -A2 ISO 7093-1	2.000	ST		
X-X	16	7.306-192.0	Screw M 6x 12-A2-70 (In6Rd)	2.000	ST		
	17	7.303-039.0	Screw M5x16 -St-A2R (In6Rd)	3.000	ST		
X-X	18	4.100-125.0	Shaft gear left BR VS	1.000	ST		
X-X	19	4.100-234.0	Shaft gear right	1.000	ST		
X-X	20	7.343-003.0	Locking ring 12x1-Rf-St DIN 471	2.000	ST		

**32 Transmission (0.201-303.0)**

ET/VT (spare/wear parts)	Pos	Material #	Name	Qty.	Unit	var. information	Footnote text
	21	7.312-233.0	Serrated lock washer A8,4-FSt-A3E DIN67	4.000	ST		
X-X	22	7.312-017.0	Washer 8-A2 ISO 7089	4.000	ST		
X-X	23	7.304-397.0	Hexagonal head screw M8x20-8.8-A2E ISO	4.000	ST		
X	24	5.050-358.0	Blower wheel	1.000	ST		
	25	5.050-357.0	Cover gear	1.000	ST		
X-X	26	6.348-444.0	Toothed belt HTD-420-3M-15 CXPIII	1.000	ST		
X-X	27	6.348-431.0	Toothed belt HTD-474-3M-15 CXPIII	1.000	ST		
X-X	28	7.303-108.0	Screw 5x20 -10.9-R2R (In6Rd)	6.000	ST		
	29	5.050-310.0	Cover gear case	1.000	ST		
	30	6.368-347.0	Cap D5	1.000	ST		
X-X	31	7.306-105.0	Screw M6x30 -8.8-R3R (In6Rd)	4.000	ST		
X-X	32	7.312-003.0	Washer 6 -200HV-A3E ISO 7090	1.000	ST		
	33	7.312-232.0	Serrated lock washer A6,4-FSt-A3E DIN 6	4.000	ST		
	34	6.288-095.0	Viscous oil	1.000	ST	50g	
	35	6.273-037.0	Seal string cellular rubber 3	1.000	M		TO ORDER AS CUT GOODS
	36	7.314-944.0	Spring pin 5x24-St ISO 8752	2.000	ST		



**40 Accessories pad roll (0.162-883.0)**

ET/VT (spare/wear parts)	Pos	Material #	Name	Qty.	Unit	from ser.nr.	up to ser.nr.
X-X	0	4.762-228.0	Roll Pad BR VS 400	1.000	ST	0000000000	0000000000
X-X	1	6.369-726.0	Pad red with sleeve	1.000	ZSA	0000000000	0000000000
	1	6.369-727.0	Pad white with sleeve BR VS 400	1.000	ZSA	0000000000	0000000000
X-X	1	6.369-724.0	Pad yellow with sleeve	1.000	ZSA	0000000000	0000000000
X-X	1	6.369-725.0	Pad green with sleeve	1.000	ZSA	0000000000	0000000000
	2	4.115-003.0	Washer closure	1.000	ST	0000000000	0000000000
	3	5.120-313.0	Hub pad roll BR VS	1.000	ST	0000000000	0000000000
	4	5.332-469.0	Helical spring	1.000	ST	0000000000	0000000000
X-X	5	4.038-677.0	Sheet metal component thread deflector	1.000	ST	0000000000	0000000000