



## Electronic Service Manuals

This electronic document is provided as a service to our customers. We do not create the contents of the information contained in this document. Should you have detailed questions pertaining to the information contained in this document, you may contact Michco, or the manufacturer which provided the original information in this electronic deliverable. Michco's only part in this electronic deliverable was the electronic assembly process. By providing this manual on line we are not guaranteeing parts availability.

You may contact Michco through the following methods:

Phone (517) 484-9312 or (800) 331-3339

2011 N. High St. -- Lansing, Michigan -- 48906

Fax: (517) 484-9836

Email: [CustServe@Michco.com](mailto:CustServe@Michco.com)

Web site: [www.Michco.Com](http://www.Michco.Com)

Parts Web site: [www.FloorMachineParts.Com](http://www.FloorMachineParts.Com)

Order Parts on Line at:

**[www.FloorMachineParts.Com](http://www.FloorMachineParts.Com)**

Directly to Parts & Service:

By Email: **[Shop@Michco.com](mailto:Shop@Michco.com)**

By Fax: (517) 702-2041

By Voice: Use numbers above.

**Serving the Cleaning Industry Since 1922**

Notice: All copyrighted material remains property of original owners, all trademarks are property of respective owners. Manuals are subject to Manufacturer's reproduction limitations. Originals or reproductions were provided by manufacturers through a request. We make no warranty as to the correctness of information provided in this document and you assume all risk. By placing these manuals on line we are not declaring our corporation to be an manufacturer authorized dealer or provider, please check our web site for authorized manufacturers we represent.



## **Spare Parts List**

**(1.005-219.0, 1.005-220.0, 1.005-223.0, 1.005-224.0,  
1.005-2370, 1.005-242.0)**

### **Saber Compact 20**

From Serial Number (Ref No1\*)

\*See Serial Number Page  
or call manufacturer

## *How to Use this Spare Parts List*

---

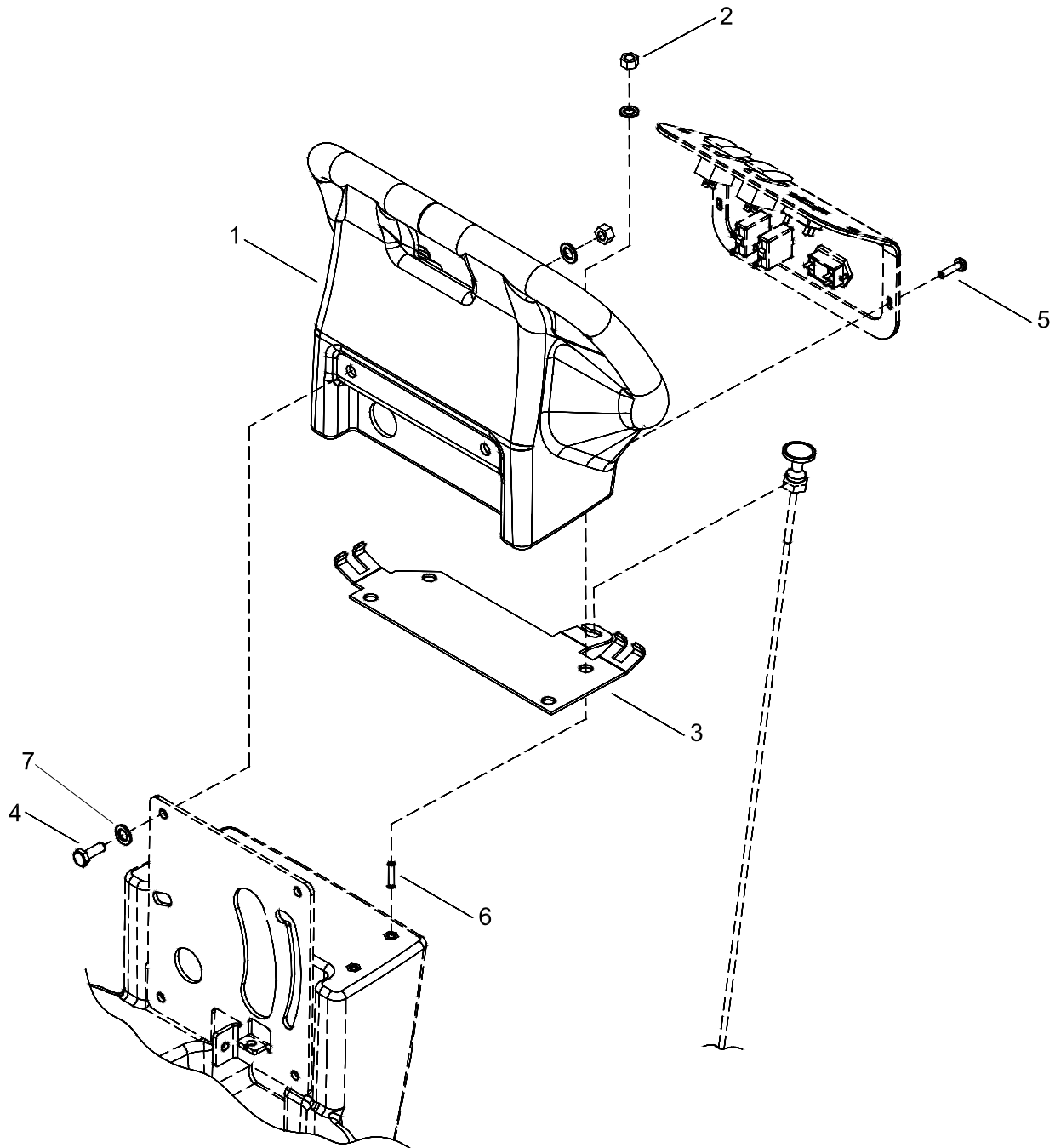
The PARTS LIST section contains assembled parts illustrations and corresponding parts list. The parts lists include a number of columns of information:

- REF - column refers to the reference number on the parts illustration.
- PART NO. - column lists the part number for the part.
- QTY - column lists the quantity of the part used in that area of the machine.
- DESCRIPTION - column is a brief description of the part.
- SERIAL NO. FROM - If this column has an (\*) and a Reference number, see the SERIAL NUMBERS page in the back of your manual. If column has two asterisk (\*\*), call manufacturer for serial number. The serial number indicates the first machine the part number is applicable to. The main illustration shows the most current design of the machine. When a boxed illustration is shown, it displays the older design.
- NOTES - column for information not noted by the other columns.

**NOTE:** *If a service or option kit is installed on your machine, be sure to keep the KIT INSTRUCTIONS which came with the kit. It contains replacement parts numbers needed for ordering future parts.*

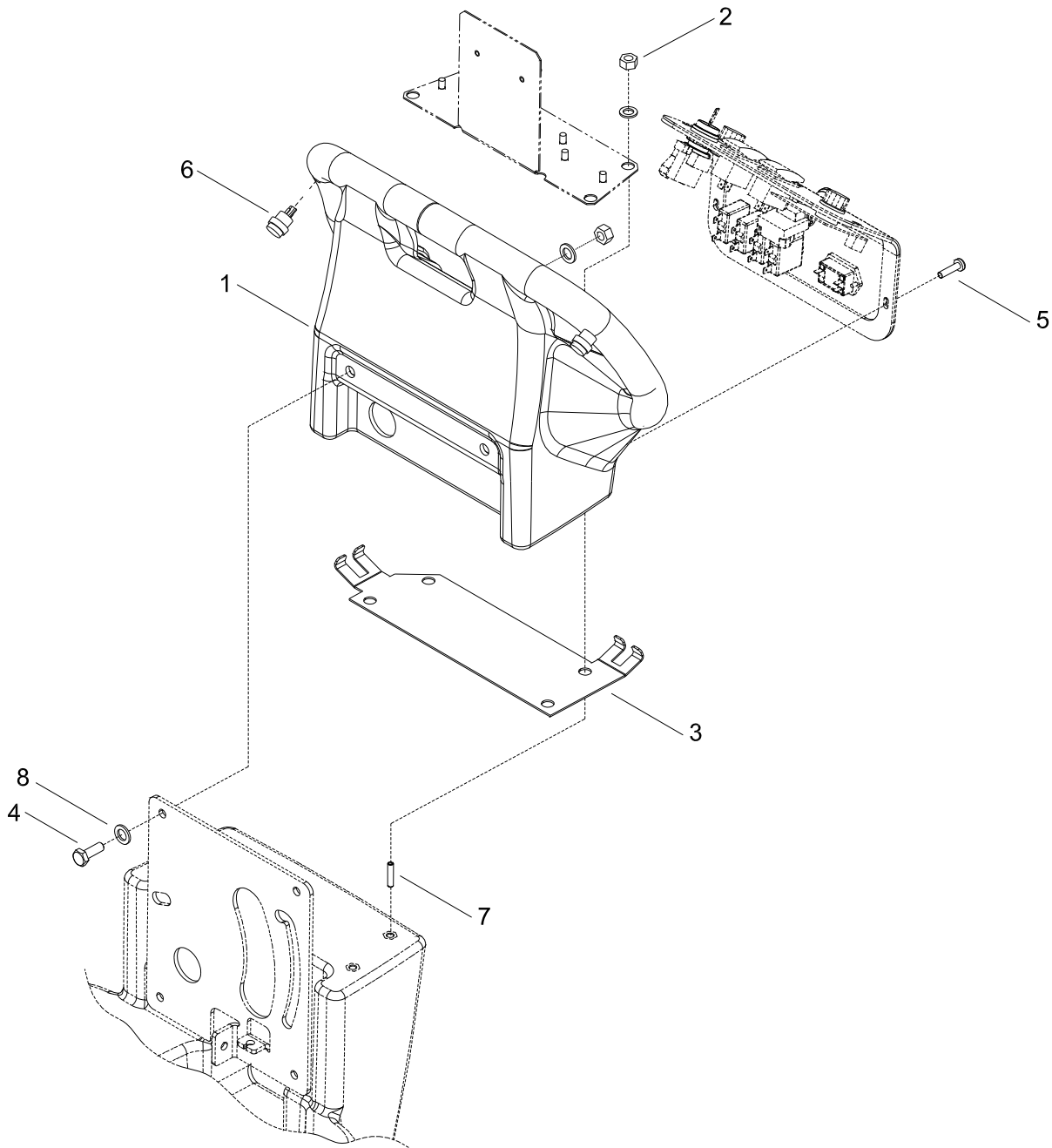
<b>How to Use this Spare Parts List</b> .....	<b>2</b>
<b>Table of Contents</b> .....	<b>3</b>
Control Handle - Non-Traction .....	4
Control Handle - Traction .....	6
Decal .....	8
Electrical Panel - Non-Traction .....	10
Electrical Panel - Traction .....	12
Hour Meter .....	14
Recovery Tank .....	16
Scrub Brush & Pad Driver - 20 IN .....	18
Scrubhead - Non-Traction .....	20
Scrubhead - Traction .....	22
Scrubhead Lift - Non-Traction .....	24
Scrubhead Lift - Traction .....	26
Solution Tank - Non-Traction .....	28
Solution - Traction .....	30
Squeegee .....	32
Squeegee Lift .....	34
Deluxe Squeegee .....	36
Deluxe Squeegee Lift .....	38
Vacuum .....	40
Wheels & Frame - Non-Traction .....	42
Wheels & Frame - Traction .....	44
Onboard Charger .....	46
Wiring - Battery Cables .....	48
Wiring - Control Panel - Non-Traction .....	50
Wiring - Control Panel - Non-Traction Battery Charger 52	
Wiring - Schematic - Non-Traction .....	54
Wiring - Schematic - Non-Traction & Onboard Charging .....	56
Wiring - Schematic - Traction .....	58
Wiring - Schematic - Traction & Onboard Charging .. 60	
Wiring - Control Panel - Traction .....	62
Wiring - Main Harness - Traction .....	64
 <i>Options</i>	
Emergency Stop .....	68
Accessory Pump .....	70
<b>Serial Number</b> .....	<b>72</b>

Control Handle - Non-Traction

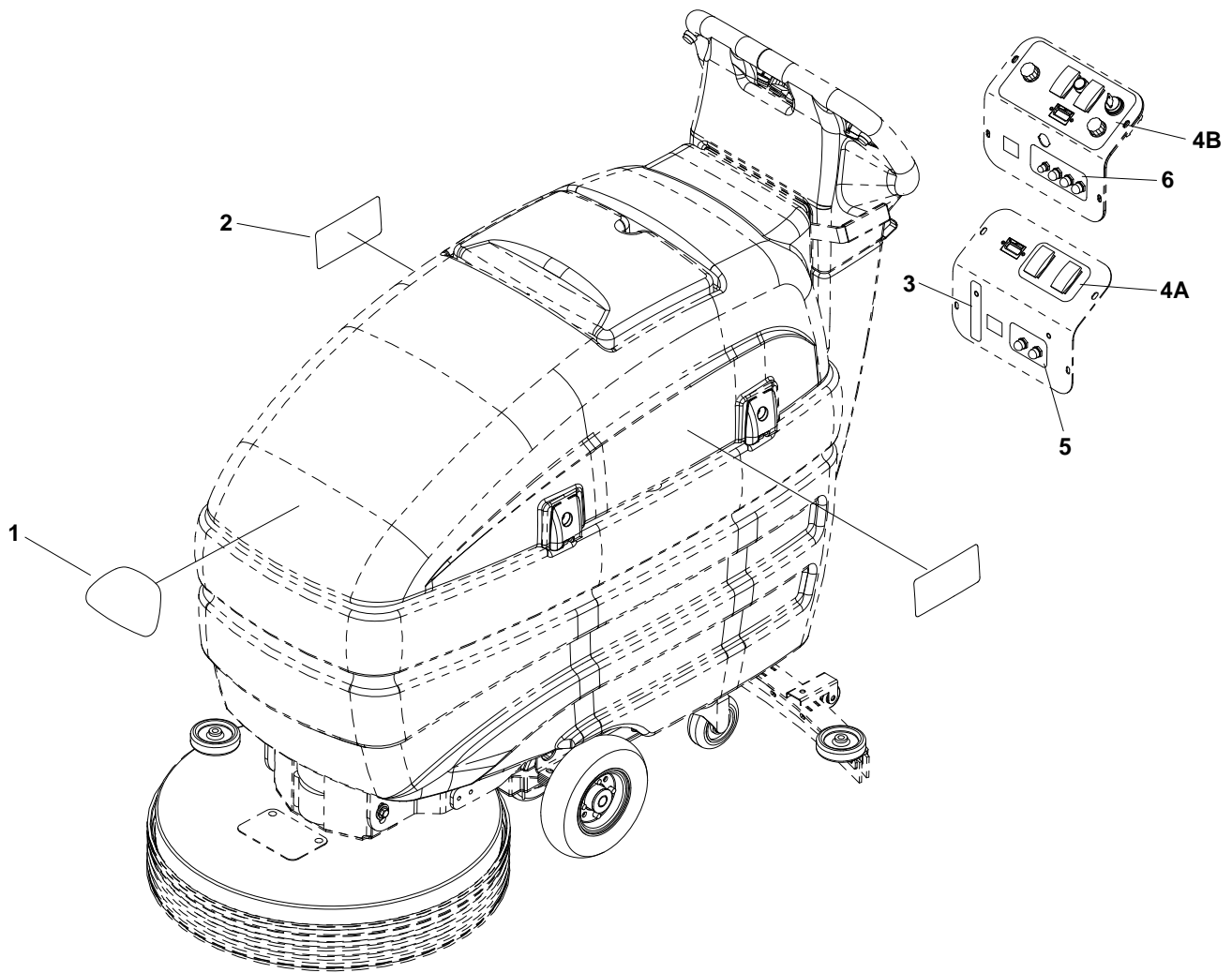


REF	PART NO.	QTY	DESCRIPTION	SERIAL NO. FROM	NOTES:
1	86031740	1	CONSOLE, HANDLE		
2	86005750	6	NUT, 5/16-18 HEX NYLOCK		
3	86081960	1	PLATE, DRAIN HOSE		
4	86006750	2	SCR, 5/16-18 X 1"HHCSGR5PLT DL		
5	86006950	4	SCR, 10-32 X 1/2 PPHMS BLK NP		
6	86278110	4	SET SCR, 5/16-18 X1.5 CP SS DL		
7	86010670	8	WASHER, 5/16 FLAT SS		

# Control Handle - Traction

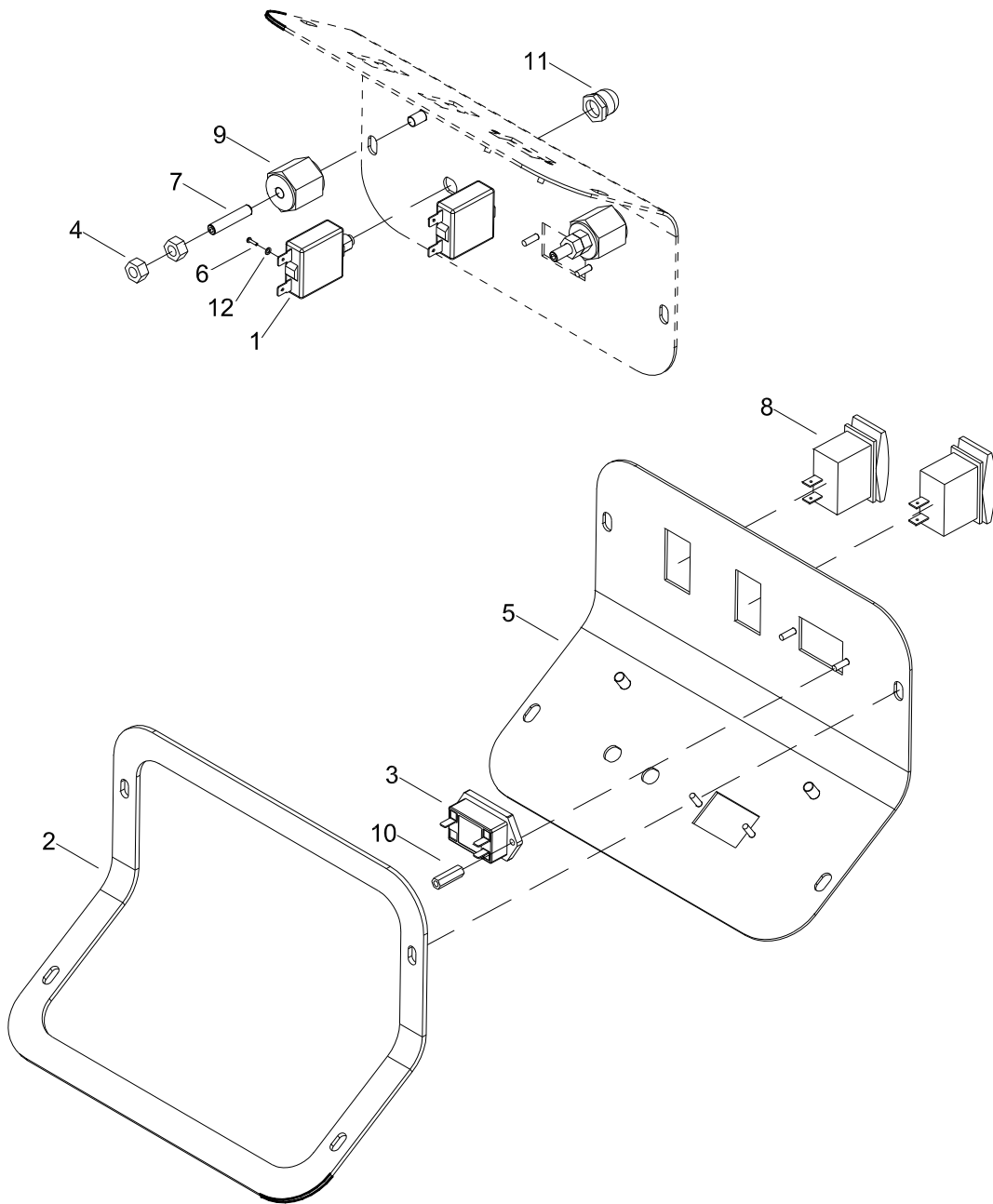


REF	PART NO.	QTY	DESCRIPTION	SERIAL NO. FROM	NOTES:
1	86351330	1	CONSOLE, HANDLE PROPEL		
2	86005750	6	NUT, 5/16-18 HEX NYLOCK		
3	86081900	1	PLATE, DRAIN HOSE		
4	86006750	2	SCR, 5/16-18 X 1"HHCSGR5PLT DL		
5	86006950	4	SCR, 10-32 X 1/2 PPHMS BLK NP		
6	86007220	2	SWITCH, SPST MOMENTARY		
7	86278110	4	SET SCR, 5/16-18 X1.5 CP SS DL		
8	86010670	8	WASHER, 5/16 FLAT SS		



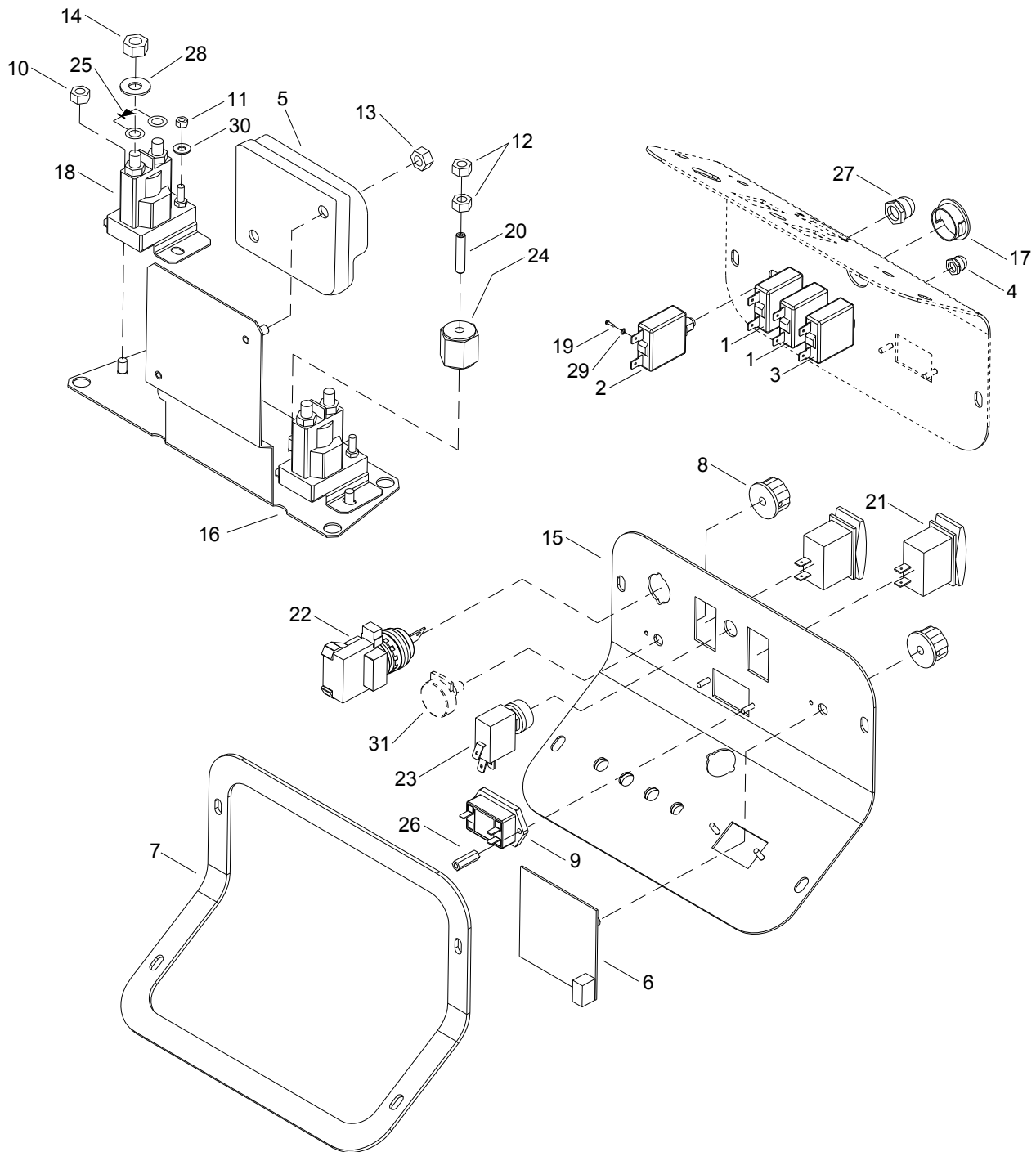
REF	PART NO.	QTY	DESCRIPTION	SERIAL NO. FROM	NOTES:
1	86395400	1	LABEL, WINDSOR LOGO DOMED		
2	86396060	2	LABEL, SC20 SIDE		
3	86396870	1	LABEL, SOLUTION		NON- TRACTION
4A	86396080	1	LABEL, CONTROL PANEL (NON-TRACTION)		NON- TRACTION
4B	86396090	1	LABEL, CONTROL PANEL (TRACTION)		TRACTION
5	86400630	1	LABEL, CIRCUIT BREAKER 2.4L		NON- TRACTION
6	86400620	1	LABEL, CIRCUIT BREAKER W/ HM		TRACTION

# Electrical Panel - Non-Traction



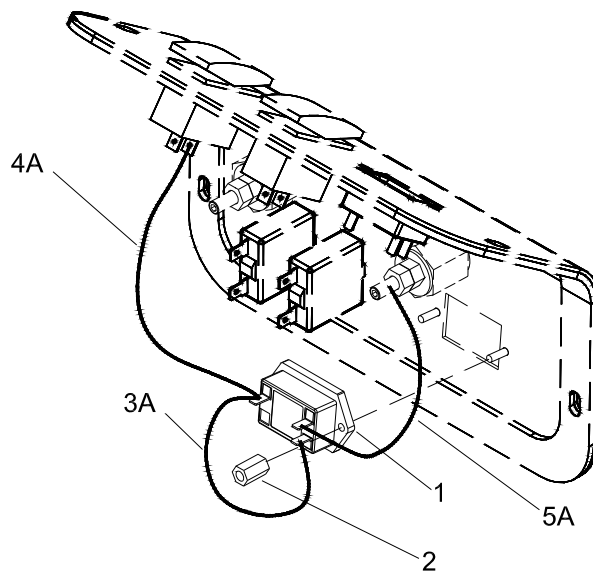
REF	PART NO.	QTY	DESCRIPTION	SERIAL NO. FROM	NOTES:
1	86001910	2	BREAKER, 30A 50VDC CIRCUIT		
2	86237720	1	GASKET, ELECTRICAL PANEL		
3	86005520	1	METER, 24V BATTERY CHARGE LEVEL		
4	86077640	4	NUT, 1/4-20 HEX W/STAR WASHER		
5	86081890	1	PLATE, ELECTRICAL PANEL		
6	86273990	4	SCR, 6-32 X 3/8 PPHMS SS		
7	86006850	2	SET SCR, 1/4-20X 1.25L		
8	86007140	2	SWITCH, SPST 2-POSITION ROCKER		
9	86255910	2	STANDOFF, 1/4-20 X 1.0 HEX INS		
10	86255920	2	STANDOFF, 6-32 X 1/2 HEX NYL		
11	86008900	2	BOOT, SEAL-PUSH BUTTON 7/16-28		
12	86279300	4	WASHER, #6 LOCK		

# Electrical Panel - Traction

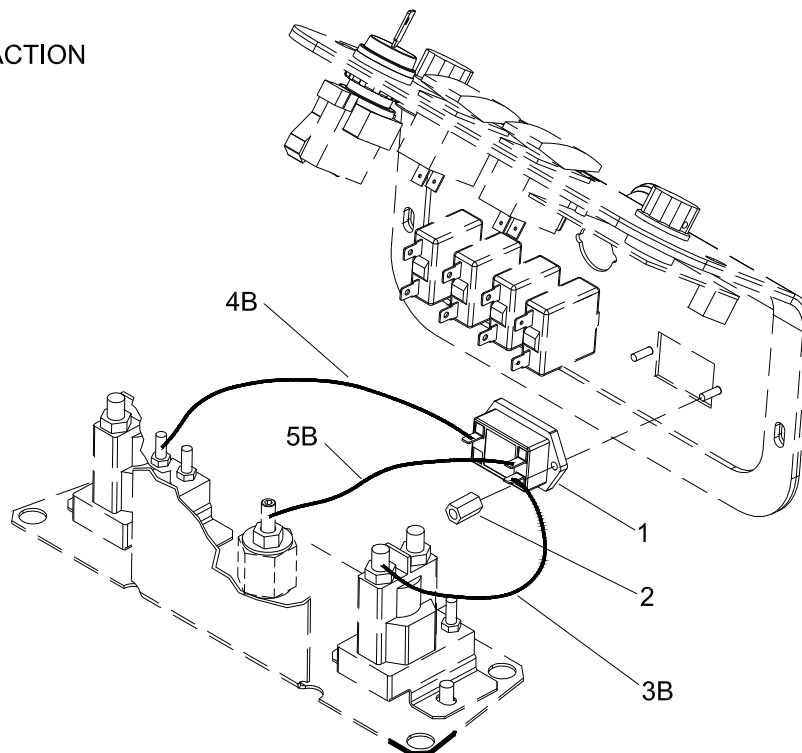


REF	PART NO.	QTY	DESCRIPTION	SERIAL NO. FROM	NOTES:
1	86001910	2	BREAKER, 30A 50VDC CIRCUIT		
2	86001920	1	BREAKER, 25A 50VDC CIRCUIT		
3	86002000	1	BREAKER, 3 AMP		
4	86002010	1	BOOT, 3/8 CIRCUIT BREAKER		
5	86002740	1	CONTROLLER, CURTIS 1210 24V 45A		
6	86002720	1	CIRCUIT BOARD, SOLUTION		
7	86237720	1	GASKET, ELECTRICAL PANEL		
8	86004850	2	KNOB, 1.06OD X .25ID W/SET SCR		
9	86005520	1	METER, 24V BATTERY CHARGE LEVEL		
10	86005680	4	NUT, 1/4-20 HEX NYLOCK		
11	86005700	4	NUT, 10-32 W/STAR WASHER PLTD		
12	86005710	2	NUT, 1/4-20 HEX W/STAR WASHER		
13	86005720	2	NUT, 8-32 W/STAR WASHER PLTD		
14	86271170	4	NUT, 5/16-18 JAM		
15	86081740	1	PLATE, ELECTRICAL PANEL		
16	86005880	1	PLATE, ELECTRICAL MOUNT		
17	86250160	1	PLUG, .875 HOLE		
18	86006360	2	RELAY, 24VDC SOLENOID		
19	86273990	6	SCR, 6-32 X 3/8 PPHMS SS		
20	86006850	1	SET SCR, 1/4-20X 1.25L		
21	86007140	2	SWITCH, SPST 2-POSITION ROCKER		
22	86007170	1	SWITCH KEY TWO POSITION		
	86004860	-	KEY, SWITCH		NOT SHOWN
23	86257030	1	SWITCH, MOMENTARY, DPST		
24	86255910	1	STANDOFF, 1/4-20 X 1.0 HEX INS		
25	86003410	1	DIODE ASM, 76075 X 76075		
26	86255920	2	STANDOFF, 6-32 X 1/2 HEX NYL		
27	86008900	3	BOOT, SEAL-PUSH BUTTON 7/16-28		
28	86279130	4	WASHER, 5/16 SPLIT LOCK PLTD		
29	86279300	6	WASHER, #6 LOCK		
30	86279470	4	WASHER, #10 SPLIT LOCK PLTD		
31	86006310	1	POTENTIOMETER, 50K OHMS		

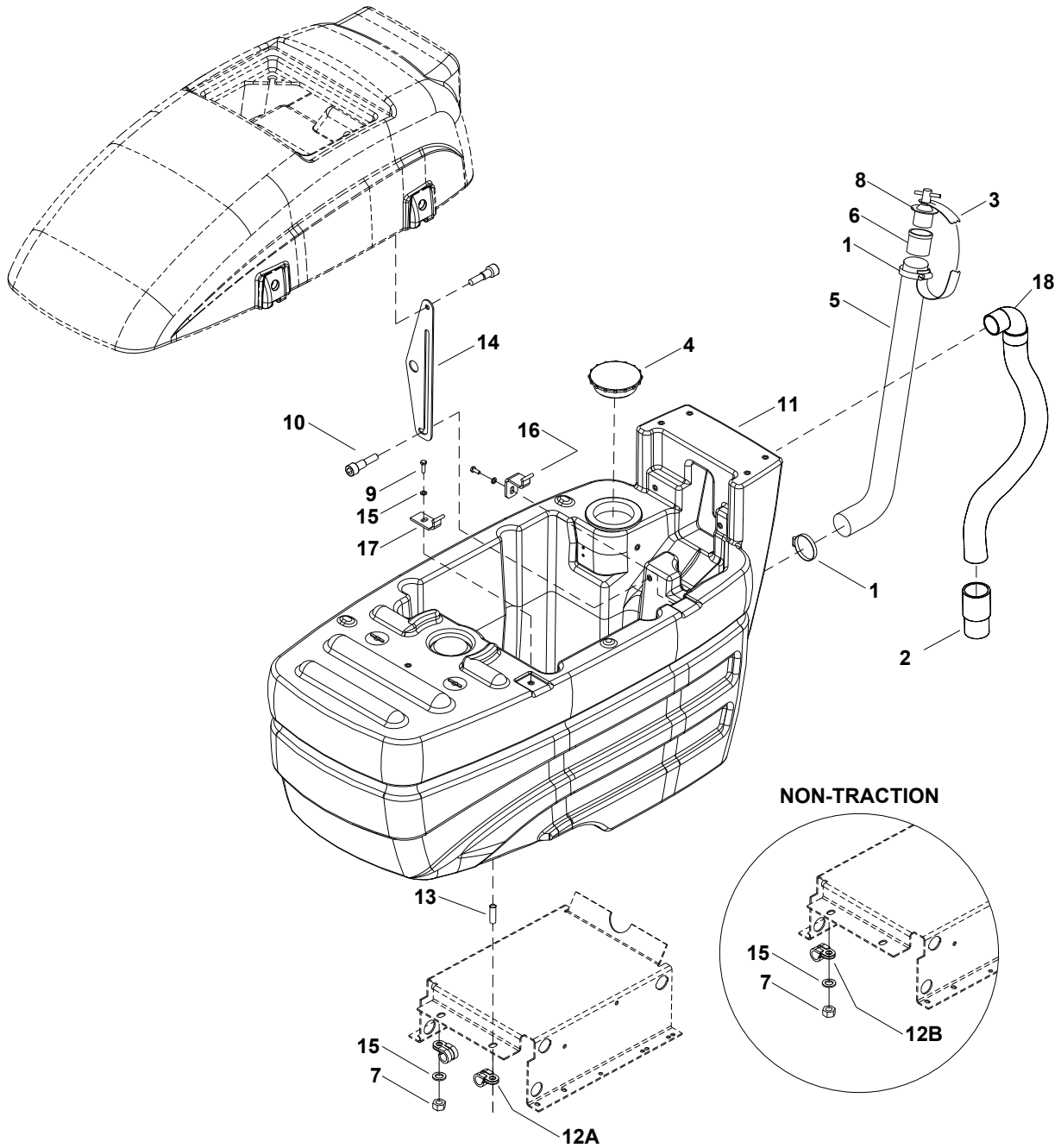
NON-TRACTION



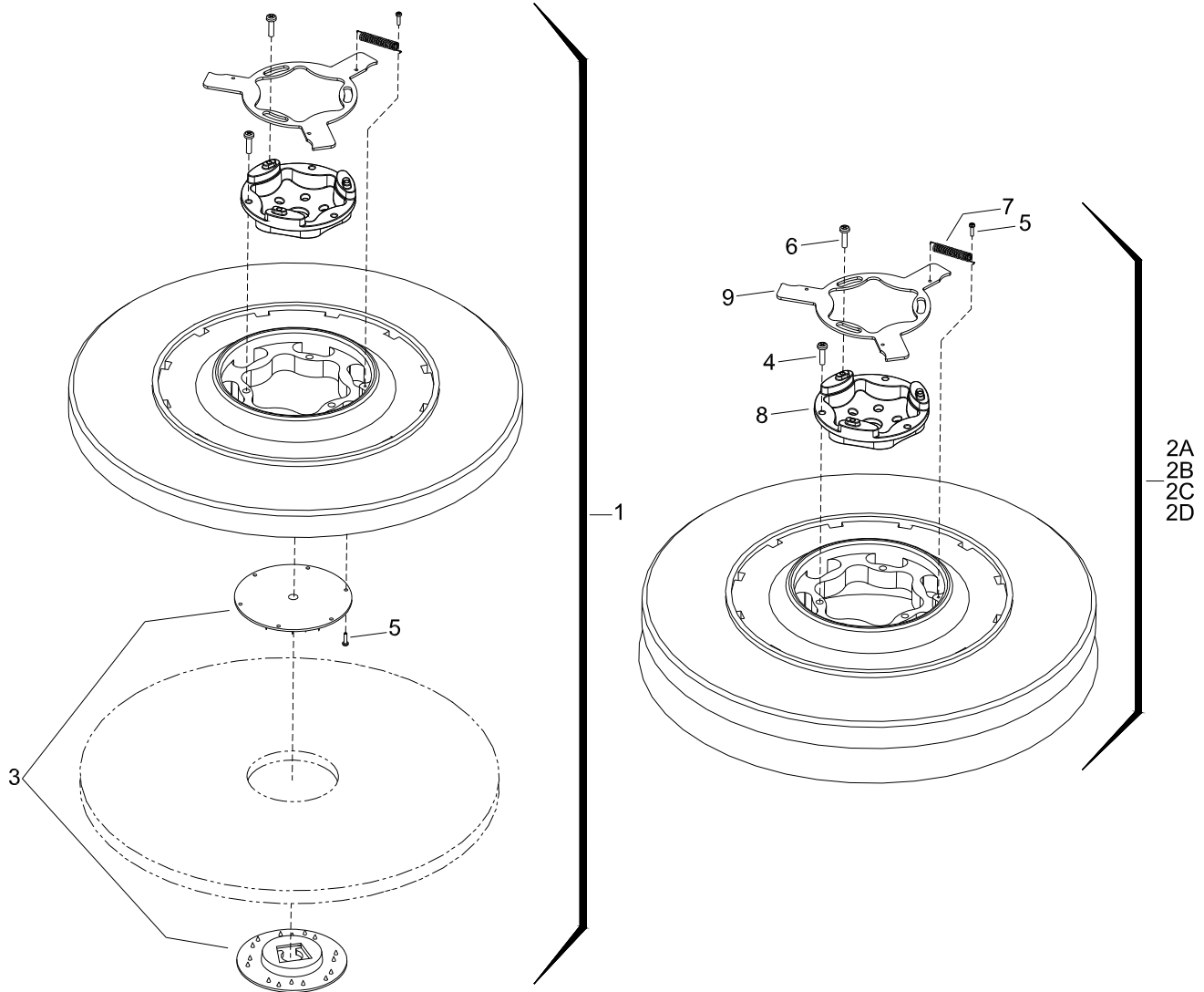
TRACTION



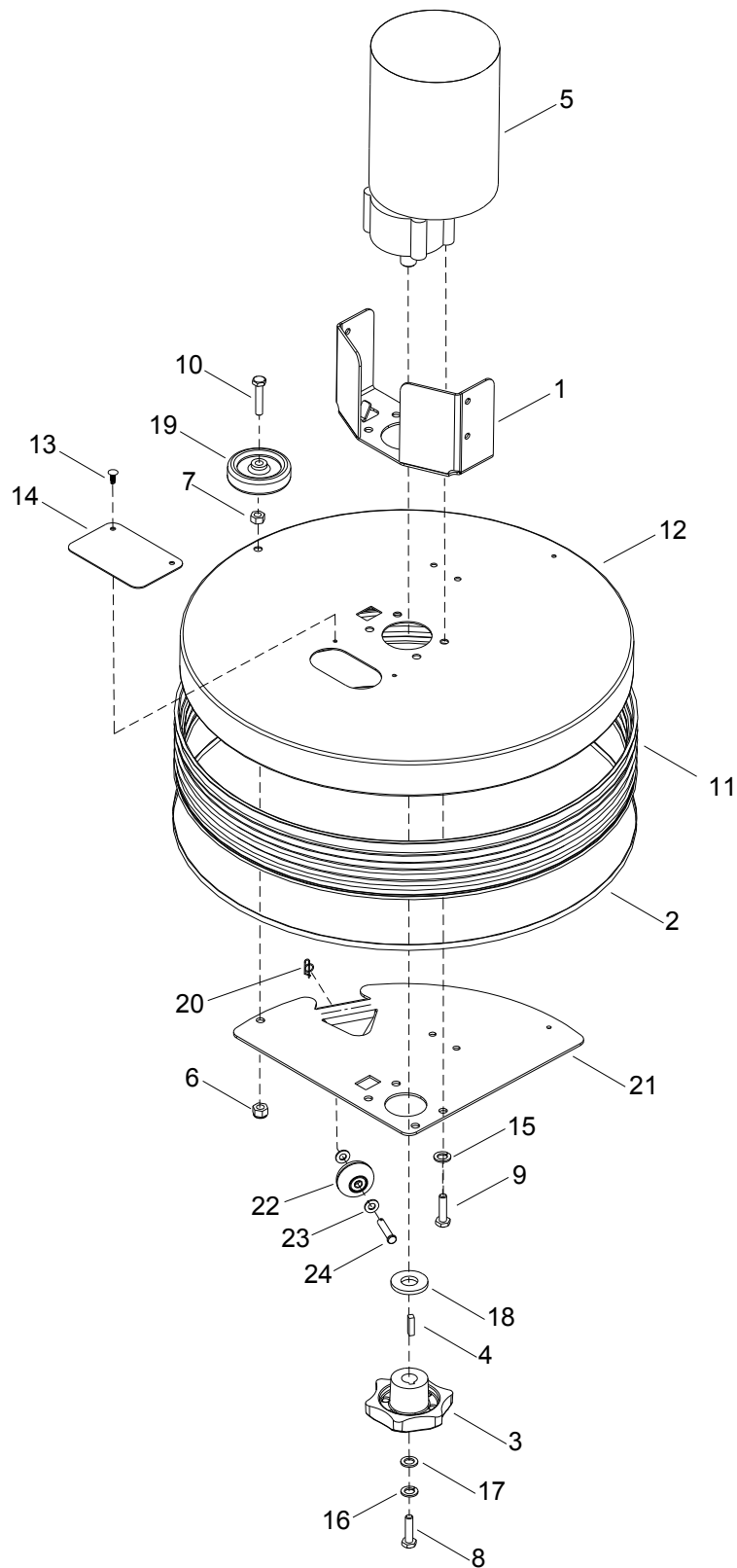
REF	PART NO.	QTY	DESCRIPTION	SERIAL NO. FROM	NOTES:
1	86005530	1	METER, 12-48 VDC LED HOUR		
2	86255920	2	STANDOFF, 6-32 X 1/2 HEX NYL		
3A	86268650	1	WIRE, 4" RED/18 76040 X 76040		NON- TRACTION
3B	86267340	1	WIRE, 22" RED/18 76075 X 76040		TRACTION
4A	86266840	1	WIRE, 8" RED/18 76031 X 76031		NON- TRACTION
4B	86267350	1	WIRE, 14" RED/18 76008 X 76040		TRACTION
5A	86266690	1	WIRE, 6" BLK/18 76011 X 76040		NON- TRACTION
5B	86267360	1	WIRE, 14" BLK/18 76011 X 76040		TRACTION



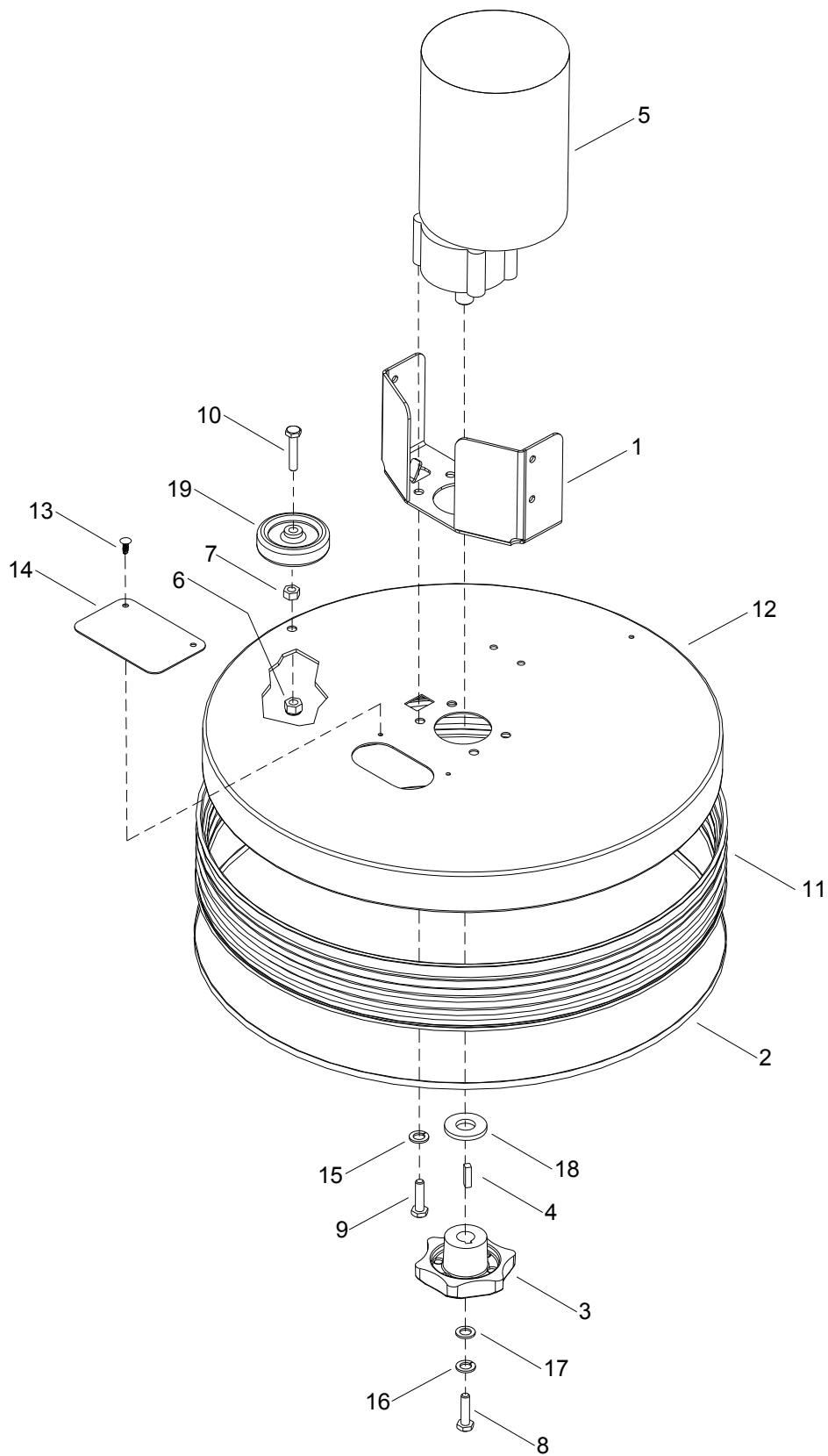
REF	PART NO.	QTY	DESCRIPTION	SERIAL NO. FROM	NOTES:
1	86002400	2	CLAMP, 2" WORM GEAR X .312W		
2	86003010	1	CUFF, HOSE 1.5" BLK A 2161		
3	86008400	1	TETHER, DRAIN PLUG		
4	86232180	1	CAP, 3 INCH MPT		
5	86004260	1	HOSE, 1.5 X 24.0 DRAIN		
6	86004450	1	HOSEBARB, 1.5 DOUBLE MCHD		
7	86005750	4	NUT, 5/16-18 HEX NYLOCK		
8	86006240	1	PLUG, DRAIN HOSE		
9	86006760	2	SCR, 5/16-18 X 3/4HHCSGR5PLTDL		
10	86278180	2	SHOULDER BOLT, 3/8OD X 1/2L		
11	86008260	1	TANK, RECOVERY		
12	86233410	2	CLAMP, 3/4 DIA CUSHION .406DIA		
13	86278110	4	SET SCR, 5/16-18 X1.5 CP SS DL		
14	86085510	1	PLATE, TANK SUPPORT		
15	86010670	6	WASHER, 5/16 FLAT SS		
16	86096020	1	WLDMNT, HINGE PIN		
17	86095960	1	WELDMENT, HINGE		
18	86004370	1	HOSE ASM, 1.5 BLK VAC X 21		



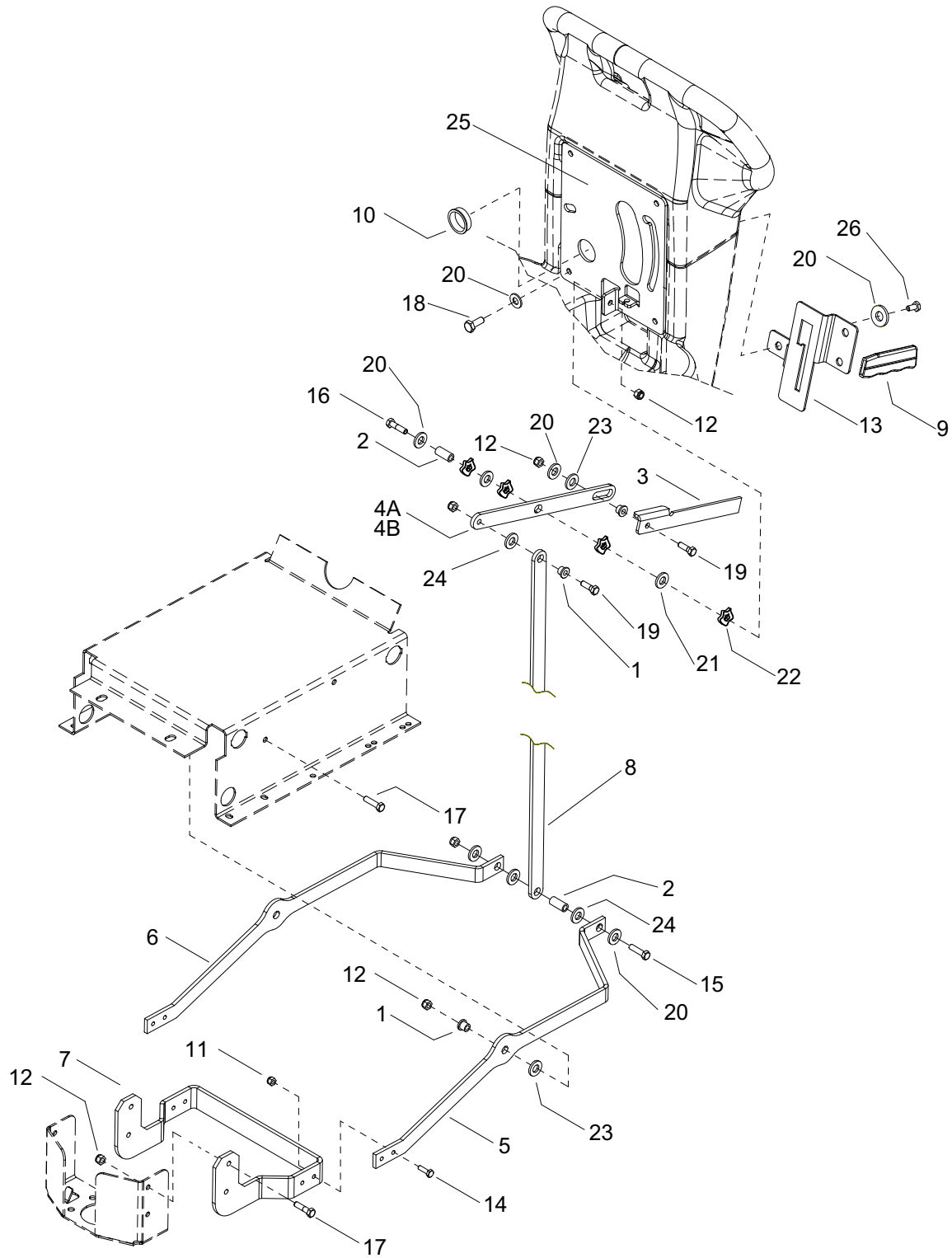
REF	PART NO.	QTY	DESCRIPTION	SERIAL NO. FROM	NOTES:
1	86000410	-	PAD DRIVER, 20" SD		
2A	86000420	-	BRUSH, 20" POLYPROPYLENE SD		
2B	86000430	-	BRUSH, 20" NYLON SD		
2C	86283870	-	BRUSH, 20" NYLON POLISH SD		
2D	86000440	-	BRUSH, 20" MILD GRIT SD		
3	86005070	-	LOCK, PAD CENTER SNAP,TWO STEP		
4	86276590	-	SCR, 12-24 X 1.0 PPHMS SS		
5	86276580	-	SCR, 8-32 X 3/4 PTHMS		
6	86276600	-	SCR, 10-32 X 3/4 PTHMS		
7	86007910	-	SPRING, EXT .31D X 2.0L X .03W		
8	86007280	-	SOCKET, DRIVE BRUSH		
9	86005940	-	PLATE, BRUSH RELEASE		



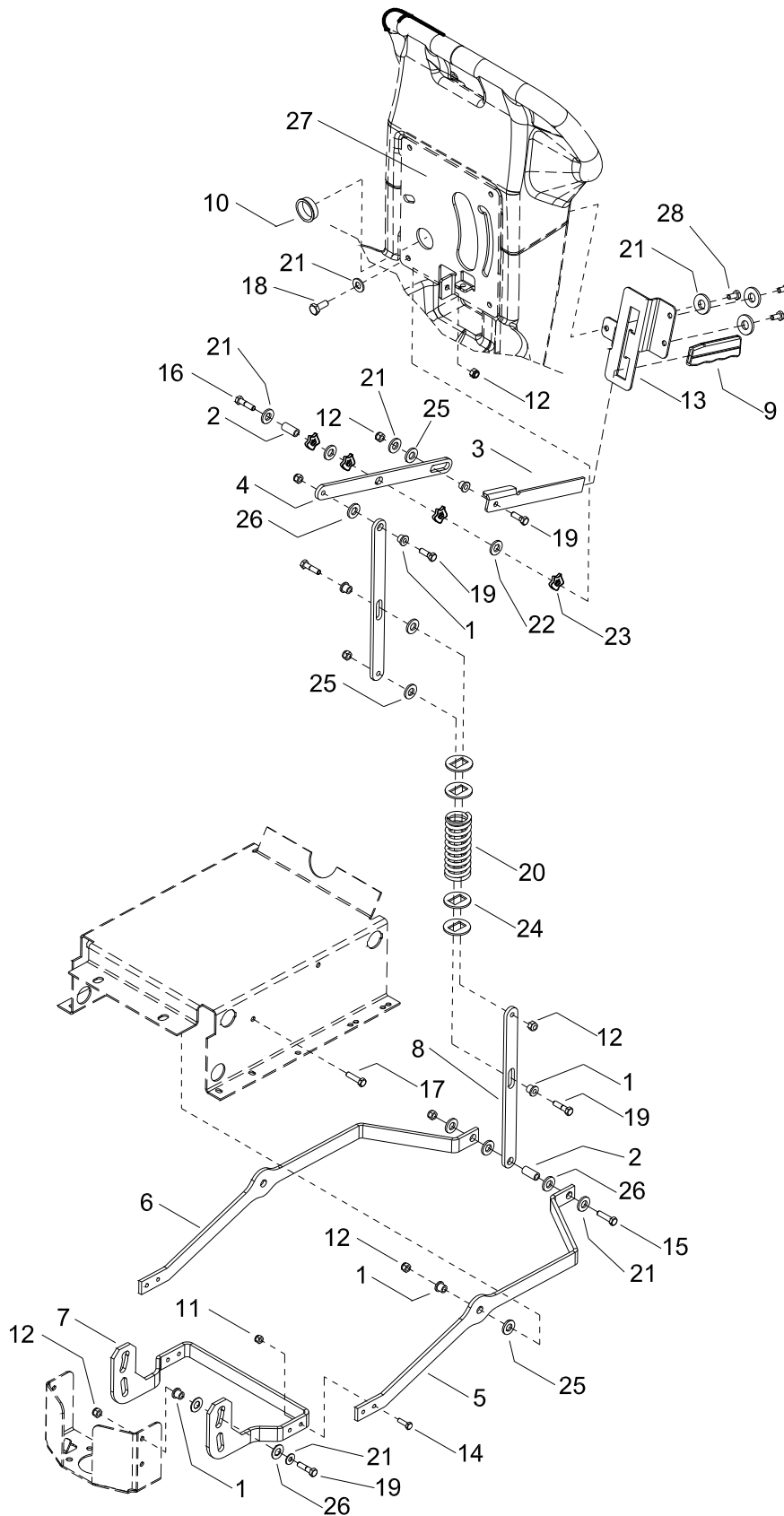
REF	PART NO.	QTY	DESCRIPTION	SERIAL NO. FROM	NOTES:
1	86072330	1	BRKT, DECK MOUNT		
2	86002410	1	CLAMP, WORM #HS356		
3	86003420	1	DRIVER, BRUSH SD		
4	86004810	1	KEY, 1/4 SQ X 1.00		
5	86005320	1	MOTOR ASM, 24VDC 200 RPM GEAR		
-	86001970	-	BRUSH SET, BRUSH MOTOR		NOT SHOWN
6	86005630	1	NUT, 3/8-16 HEX NYLOCK THIN SS		
7	86005730	1	NUT, 3/8-16 HEX		
8	86007020	1	SCR, 5/16-18 X 1.25 HHCS SS		
9	86006740	4	SCR, 3/8-16 X 1" HHCSGR5PLT DL		
10	86006820	1	SCR, 3/8-16 X 2.0 HHCS GR5 PLT		
11	86253940	1	SKIRT, 3.5 X 57.5" EXT		
12	86253530	1	SHROUD, 20 IN SCRUB DECK		
13	86233560	2	CLIP, TREE .19 HOLE FLAT HEAD		
14	86234800	1	COVER, BRUSH RELEASE 5X6		
15	86278910	4	WASHER, 3/8 ID X 7/8 OD SS		
16	86279130	1	WASHER, 5/16 SPLIT		
17	86279630	1	WASHER, .344IDX1.13ODX.09T PLT		
18	86279640	1	WASHER, .78IDX1.63ODX.25T PLT		
19	86010890	1	WHEEL, SQUEEGEE		
20	86008660	1	COTTER, 5/16" RING		
21	86068380	1	BRKT, BRUSH ASSIST		
22	86011070	1	WHEEL, 1.812ODX.314IDX.952W		
23	86010760	2	WASHER, .344X.69X.066 FLAT PLT		
24	86006270	1	PIN, CLEVIS 5/16 X 1.625 LG		



REF	PART NO.	QTY	DESCRIPTION	SERIAL NO. FROM	NOTES:
1	86072330	1	BRKT, DECK MOUNT		
2	86002410	1	CLAMP, WORM #HS356		
3	86003420	1	DRIVER, BRUSH SD		
4	86004810	1	KEY, 1/4 SQ X 1.00		
5	86005320	1	MOTOR ASM, 24VDC 200 RPM GEAR		
-	86001970	-	BRUSH SET, BRUSH MOTOR		NOT SHOWN
6	86005630	1	NUT, 3/8-16 HEX NYLOCK THIN SS		
7	86005730	1	NUT, 3/8-16 HEX		
8	86007020	1	SCR, 5/16-18 X 1.25 HHCS SS		
9	86006740	4	SCR, 3/8-16 X 1" HHCSGR5PLT DL		
10	86006820	1	SCR, 3/8-16 X 2.0 HHCS GR5 PLT		
11	86253940	1	SKIRT, 3.5 X 57.5" EXT		
12	86253530	1	SHROUD, 20 IN SCRUB DECK		
13	86233560	2	CLIP, TREE .19 HOLE FLAT HEAD		
14	86234800	1	COVER, BRUSH RELEASE 5X6		
15	86278910	4	WASHER, 3/8 ID X 7/8 OD SS		
16	86279130	1	WASHER, 5/16 SPLIT		
17	86279630	1	WASHER, .344IDX1.13ODX.09T PLT		
18	86279640	1	WASHER, .78IDX1.63ODX.25T PLT		
19	86010890	1	WHEEL, SQUEEGEE		



REF	PART NO.	QTY	DESCRIPTION	SERIAL NO. FROM	NOTES:
1	86228840	4	BEARING, FLANGED.314IDX.502OD		
2	86228880	2	BEARING, .314 ID X .503 OD X 1		
3	86072350	1	BRKT, LIFT LEVER HANDLE		
4A	86072360	1	BRKT, LIFT LEVER		
4B	86073420	1	BRKT, LIFT LEVER OBC		SCC20, SCC20T, SCXC20T
5	86072370	1	BRKT, LIFT LEFT		
6	86072380	1	BRKT, LIFT, RIGHT		
7	86072520	1	BRKT, SCRUB DECK MOUNT		
8	86066960	1	BAR, LINKAGE		
9	86336000	1	GRIP, 3/16X 1.0, YLW		
10	86238430	1	GROMMET 1.00 ID 3/16 GRIP		
11	86005680	4	NUT, 1/4-20 HEX NYLOCK		
12	86005750	10	NUT, 5/16-18 HEX NYLOCK		
13	86081880	1	PLATE, SCRUB DECK POSITION		
14	86273810	4	SCR, 1/4-20 X 1 HHCS SS		
15	86274690	1	SCR, 5/16-18 X 1.5 HHCS GR5PLT		
16	86006730	1	SCR, 5/16-18 X 1.75 HHCS PLTD		
17	86006750	6	SCR, 5/16-18 X 1"HHCSGR5PLT DL		
18	86006760	2	SCR, 5/16-18 X 3/4HHCSGR5PLTDL		
19	86274910	2	SCR, 5/16-18 X 1.25HHCS GR5PLT		
20	86010670	9	WASHER, 5/16 FLAT SS		
21	86279320	2	WASHER, .52 I.D. X .875 O.D.SS		
22	86279350	4	WASHER, WAVE 1/2ID X3/4D X.125		
23	86259400	3	WASHER, THRUST.51 ID X 1 ODBRO		
24	86259410	3	WASHER, THRUST.51 ID X1ODX.063		
25	86072340	1	BRKT, TOWER		
26	86275180	3	SCR, 5/16-18 X 1/2 HHCS GR5		

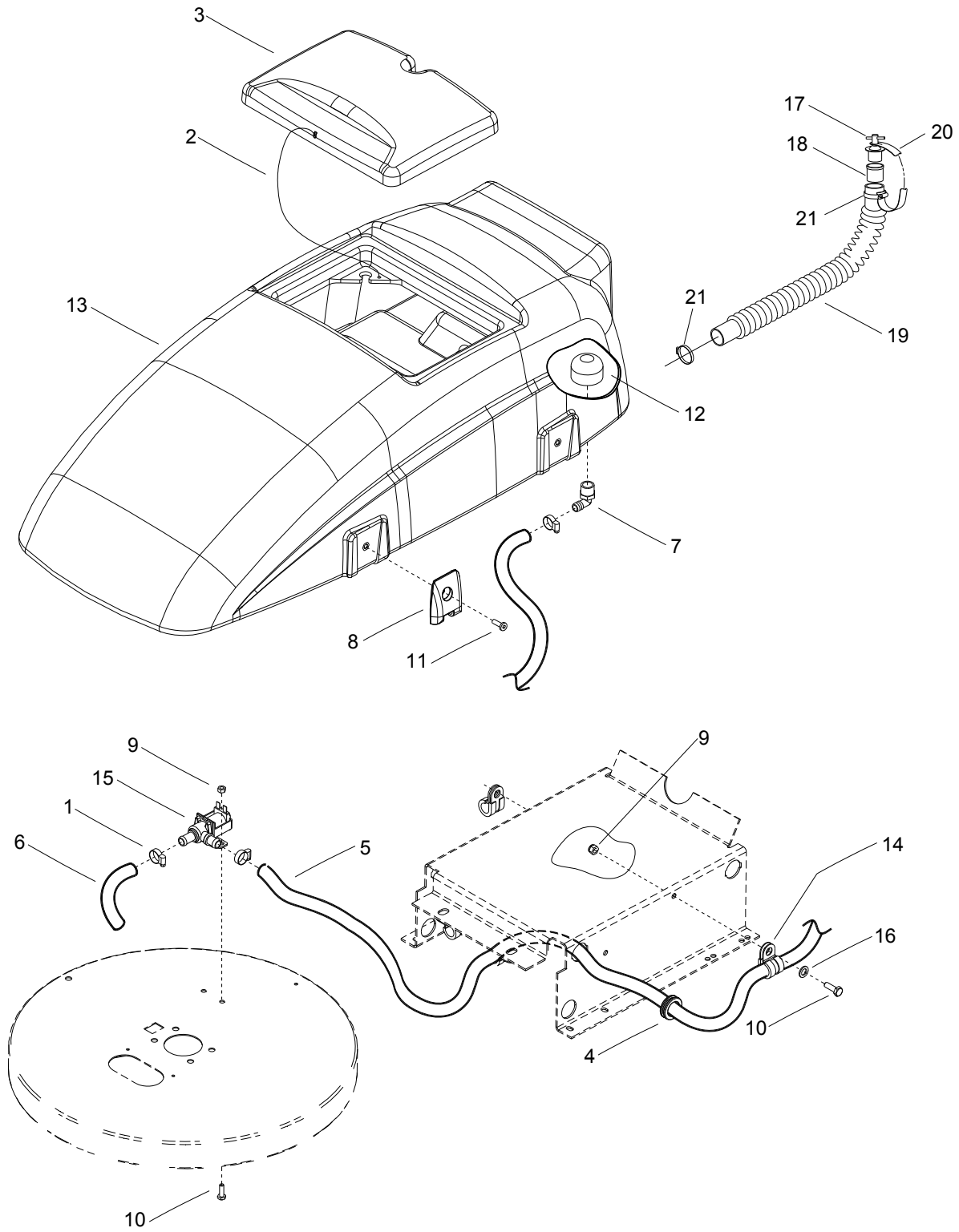


REF	PART NO.	QTY	DESCRIPTION	SERIAL NO. FROM	NOTES:
1	86228840	10	BEARING, FLANGED.314IDX.502OD		
2	86228880	2	BEARING, .314 ID X .503 OD X 1		
3	86072350	1	BRKT, LIFT LEVER HANDLE		
4	86072360	1	BRKT, LIFT LEVER		
5	86072370	1	BRKT, LIFT LEFT		
6	86072380	1	BRKT, LIFT, RIGHT		
7	86072390	1	BRKT, SCRUB DECK MOUNT		
8	86066970	2	BAR, TENSIONER		
9	86336000	1	GRIP, 3/16X 1.0, YLW		
10	86238430	1	GROMMET 1.00 ID 3/16 GRIP		
11	86005680	4	NUT, 1/4-20 HEX NYLOCK		
12	86005750	12	NUT, 5/16-18 HEX NYLOCK		
13	86081760	1	PLATE, SCRUB DECK POSITION		
14	86273810	4	SCR, 1/4-20 X 1 HHCS SS		
15	86274690	1	SCR, 5/16-18 X 1.5 HHCS GR5PLT		
16	86006730	1	SCR, 5/16-18 X 1.75 HHCS PLTD		
17	86006750	2	SCR, 5/16-18 X 1"HHCSGR5PLT DL		
18	86006760	1	SCR, 5/16-18 X 3/4HHCSGR5PLTDL		
19	86274910	8	SCR, 5/16-18 X 1.25HHCS GR5PLT		
20	86254880	1	SPRING,COMP 1.687ODX4.5LX.234W		
21	86010670	13	WASHER, 5/16 FLAT SS		
22	86279320	2	WASHER, .52 I.D. X .875 O.D.SS		
23	86279350	4	WASHER, WAVE 1/2ID X3/4D X.125		
24	86090270	4	WASHER, RECTANGULAR HOLE		
25	86259400	5	WASHER, THRUST.51 ID X 1 ODBRO		
26	86259410	11	WASHER, THRUST.51 ID X1ODX.063		
27	86072340	1	BRKT, TOWER		
28	86275180	3	SCR, 5/16-18 X 1/2 HHCS GR5		

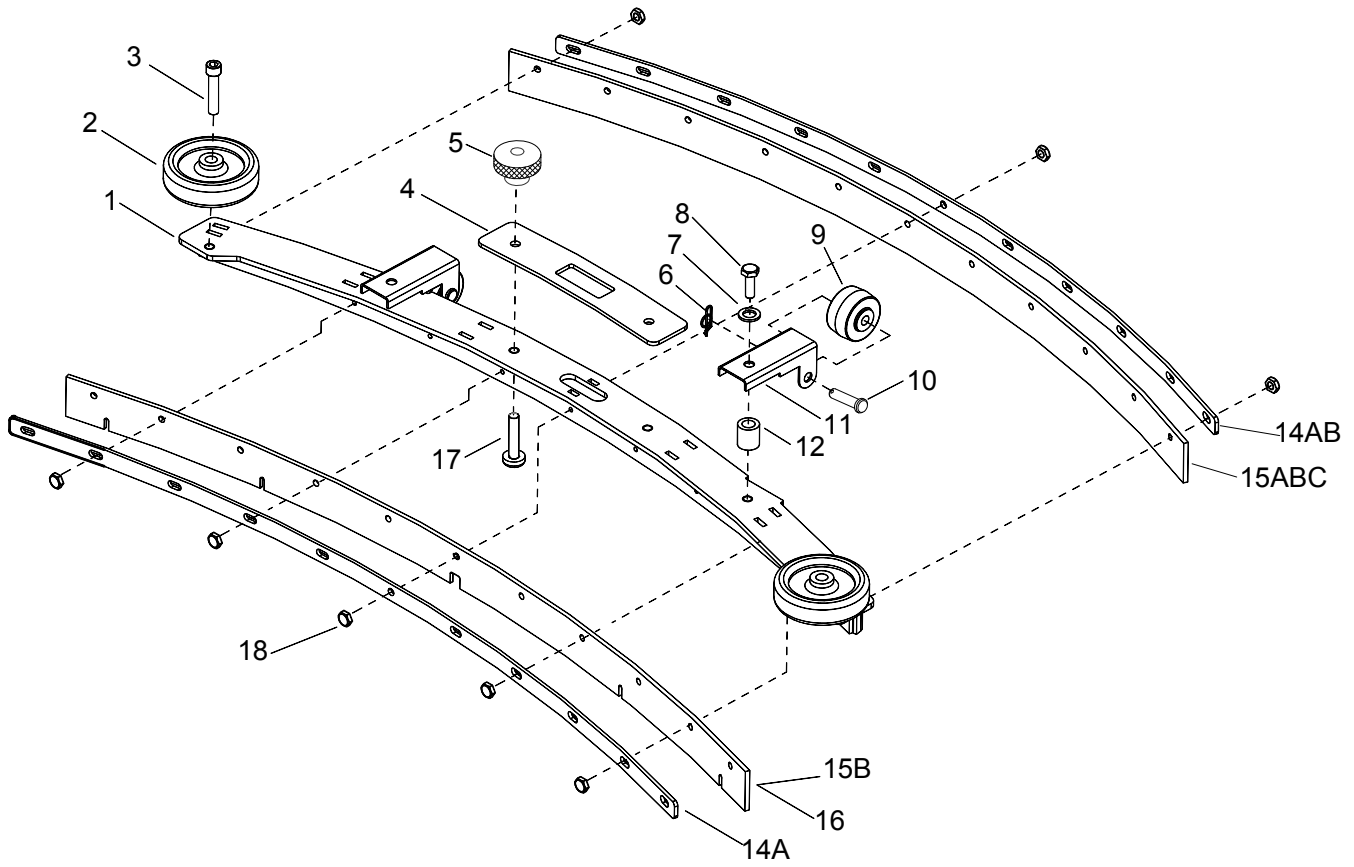


REF	PART NO.	QTY	DESCRIPTION	SERIAL NO. FROM	NOTES:
1	86233150	5	CLAMP, 3/8 HOSE (D-SLOT)		
2	86279880	1	CORD, SOLUTION COVER		
3	86234780	1	COVER, SOLUTION TANK		
4	86238430	2	GROMMET 1.00 ID 3/16 GRIP		
5	86282040	1	HOSE, 1/2 ID NYLOBRAID X 40"		
6	86050350	1	HOSE, 1/2 ID NYLOBRAID X 15"		
7	86197940	1	HOSEBARB, 3/8MPTX1/2 90D DL		
8	86004460	2	HINGE, SCRUBBER TANK		
9	86005750	2	NUT, 5/16-18 HEX NYLOCK		
10	86006760	4	SCR, 5/16-18 X 3/4HHCSGR5PLTDL		
11	86007000	2	SCR, 5/16-18 X 3/4 FHSCS BLKZC		
12	86007970	1	STRAINER, 3/8 IN. NPT 60 MESH		
13	86400720	1	TANK, SOLUTION TRIM		
14	86233410	2	CLAMP, 3/4 DIA CUSHION .406DIA		
15	86258720	1	VALVE, 3/8 FPT BALL		
16	86010670	3	WASHER, 5/16 FLAT SS		
17	86005680	4	NUT, 1/4-20 HEX NYLOCK		
18	86257310	1	SWIVEL, SOLUTION CABLE		
19	86002800	1	CABLE, .062 X 43 SS PUSH/PULL		
20	86009700	1	PLUG, 5/8" DRAIN HOSE		
21	86001600	1	SLEEVE .63 ID X 1.0 OD		
22	86197310	1	BUSHING, 3/8 X 3/8 NPT (F18-3)		
23	86008400	1	TETHER, DRAIN PLUG		
24	86233300	2	CLAMP, 1.25" WORM GEAR SS		
25	86004310	1	HOSE, 1.0 X 18.0 DRAIN		
26	86010540	1	VALVE, 24VDC SOL. 1/2" HOSEBARB		
27	86281990	1	HOSE, 1/2 ID NYLOBRD X 4"		
28	86197940	1	HOSEBARB, 3/8 MPT X 1/2 90D DL		
29	86275370	1	SCR, 10-24 X 1/2 FHTC		
30	86279470	1	WASHER, #10 SPLIT LOCK PLTD		
31	86010650	1	WASHER, #10 X 9/16 OD		
32	86077300	1	LEVER, VALVE		
33	86087350	1	SPACER, VALVE		
34	86255910	1	STANDOFF, 1/4-20 X 1.0 HEX INS		
35	86001590	1	HOSEBARB, 3/8 MPT X 1/2 NYLON		
36	86270930	1	NUT, 1/4-20 JAM SS		
37	86010660	1	WASHER, 1/4 LOCK EXT STAR SS		
38	86005750	2	NUT, 5/16-18 HEX NYLOCK		
39	86274920	1	SCR, 1/4-20 X 3/8 PTHMS PL		
40	86075270	1	CLAMP, VALVE		
-	86026950	-	VALVE ASM, 3/8 FPT BALL		▲

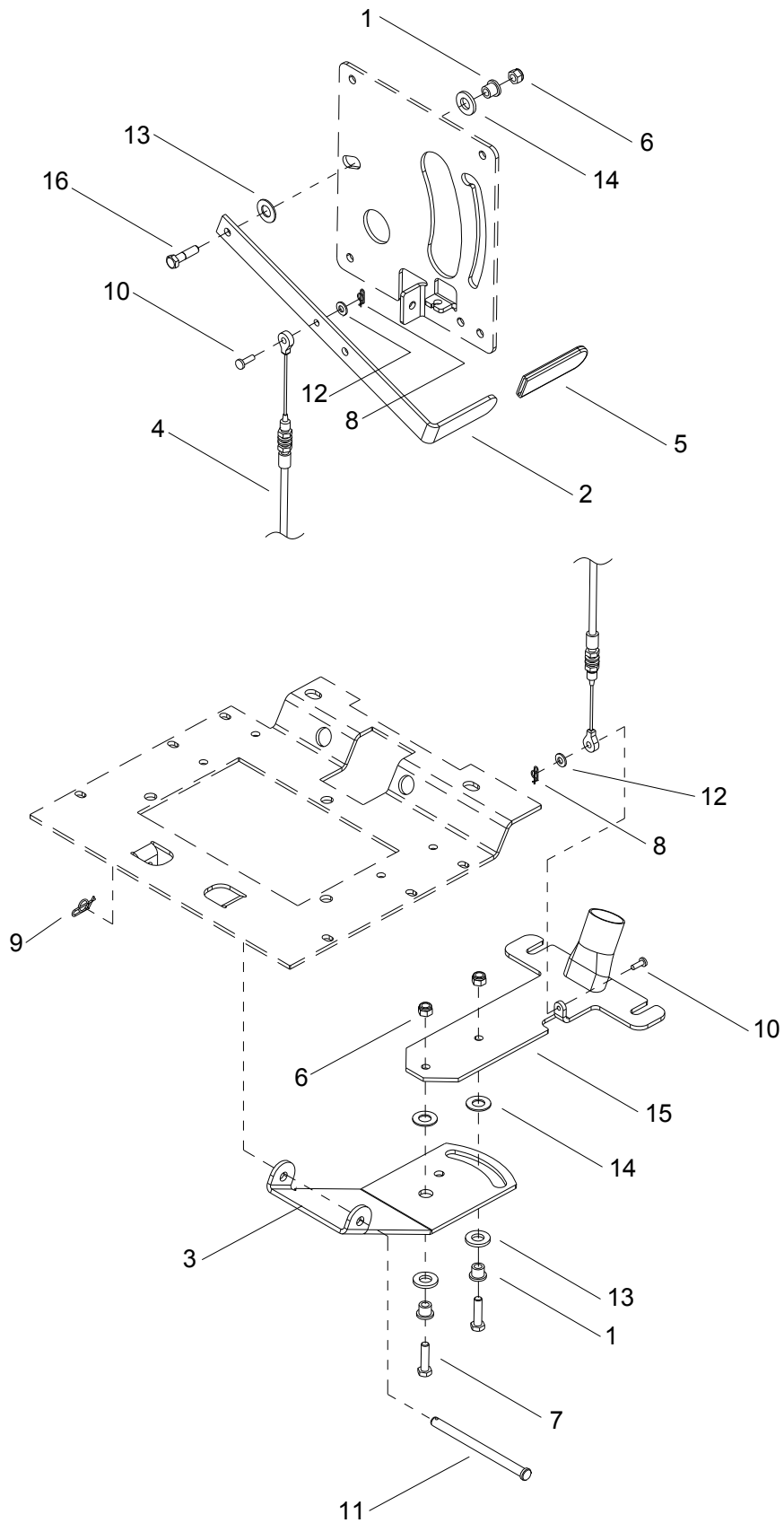
▲ INCLUDES ITEMS:86068510, 86275370, 86279470, 86010650, 86077300, 86087350, 86001590, 86197310, 86258720, 86257310



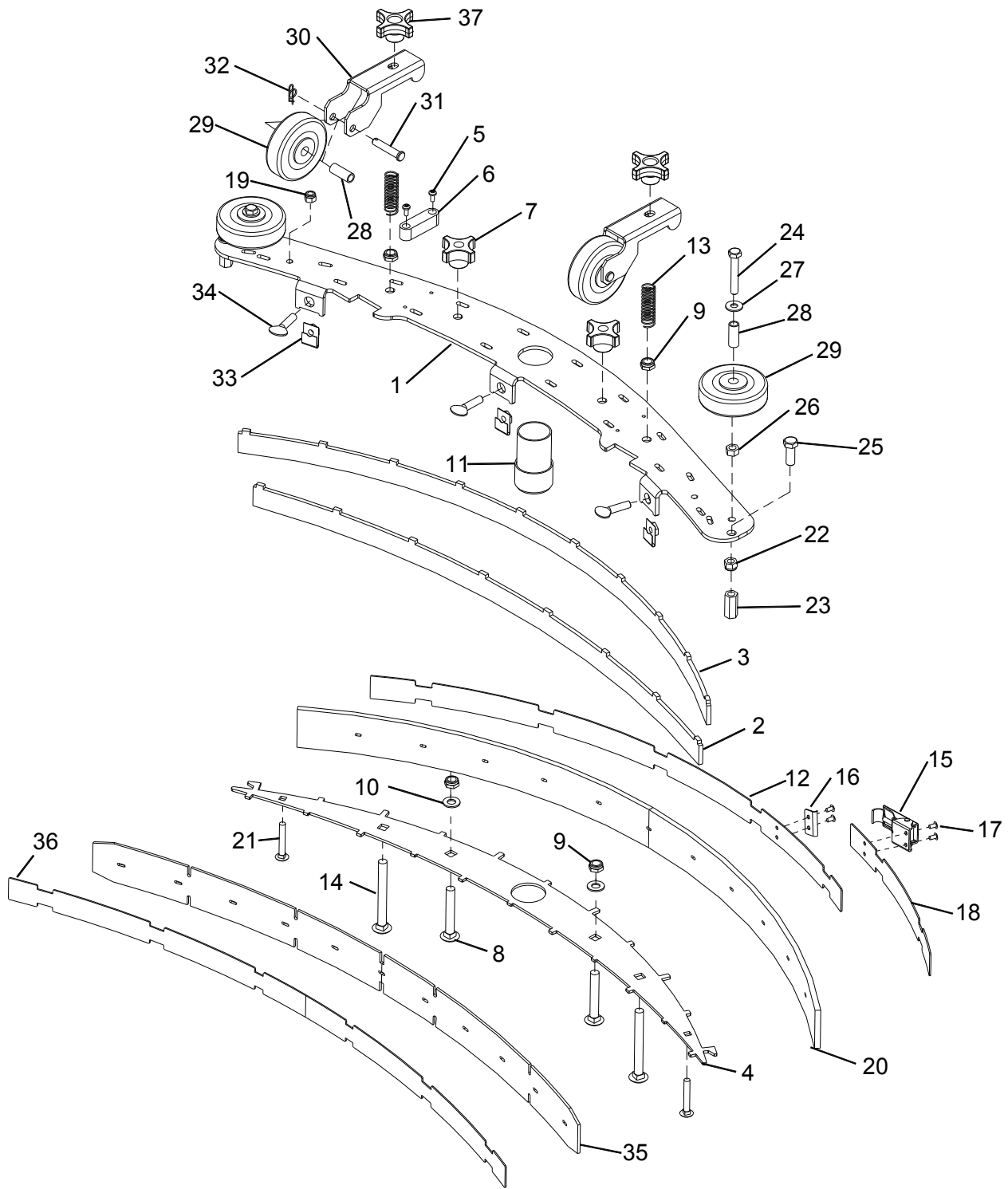
REF	PART NO.	QTY	DESCRIPTION	SERIAL NO. FROM	NOTES:
1	86233150	3	CLAMP, 3/8 HOSE (D-SLOT)		
2	86279880	1	CORD, SOLUTION COVER		
3	86234780	1	COVER, SOLUTION TANK		
4	86238430	2	GROMMET 1.00 ID 3/16 GRIP		
5	86281920	1	HOSE, 1/2 ID NYLOBRAID X 52"		
6	86281990	1	HOSE, 1/2 ID NYLOBRAID X 4"		
7	86197940	1	HOSEBARB, 3/8MPTX1/2 90D DL		
8	86004460	2	HINGE, SCRUBBER TANK		
9	86005750	4	NUT, 5/16-18 HEX NYLOCK		
10	86006760	4	SCR, 5/16-18 X 3/4HHCSGR5PLTDL		
11	86007000	2	SCR, 5/16-18 X 3/4 FHSCS BLKZC		
12	86007970	1	STRAINER, 3/8 IN. NPT 60 MESH		
13	86400720	1	TANK, SOLUTION TRIM		
14	86233410	1	CLAMP, 3/4 DIA CUSHION .406DIA		
15	86010540	1	VALVE, 24VDC SOL.1/2"HOSEBARB		
16	86010670	2	WASHER, 5/16 FLAT SS		
17	86009700	1	PLUG, 5/8" DRAIN HOSE		
18	86001600	1	SLEEVE .63 ID X 1.0 OD		
19	86004310	1	HOSE, 1.0 X 18.0 DRAIN		
20	86008400	1	TETHER, DRAIN PLUG		
21	86233300	2	CLAMP, 1.25" WORM GEAR SS		



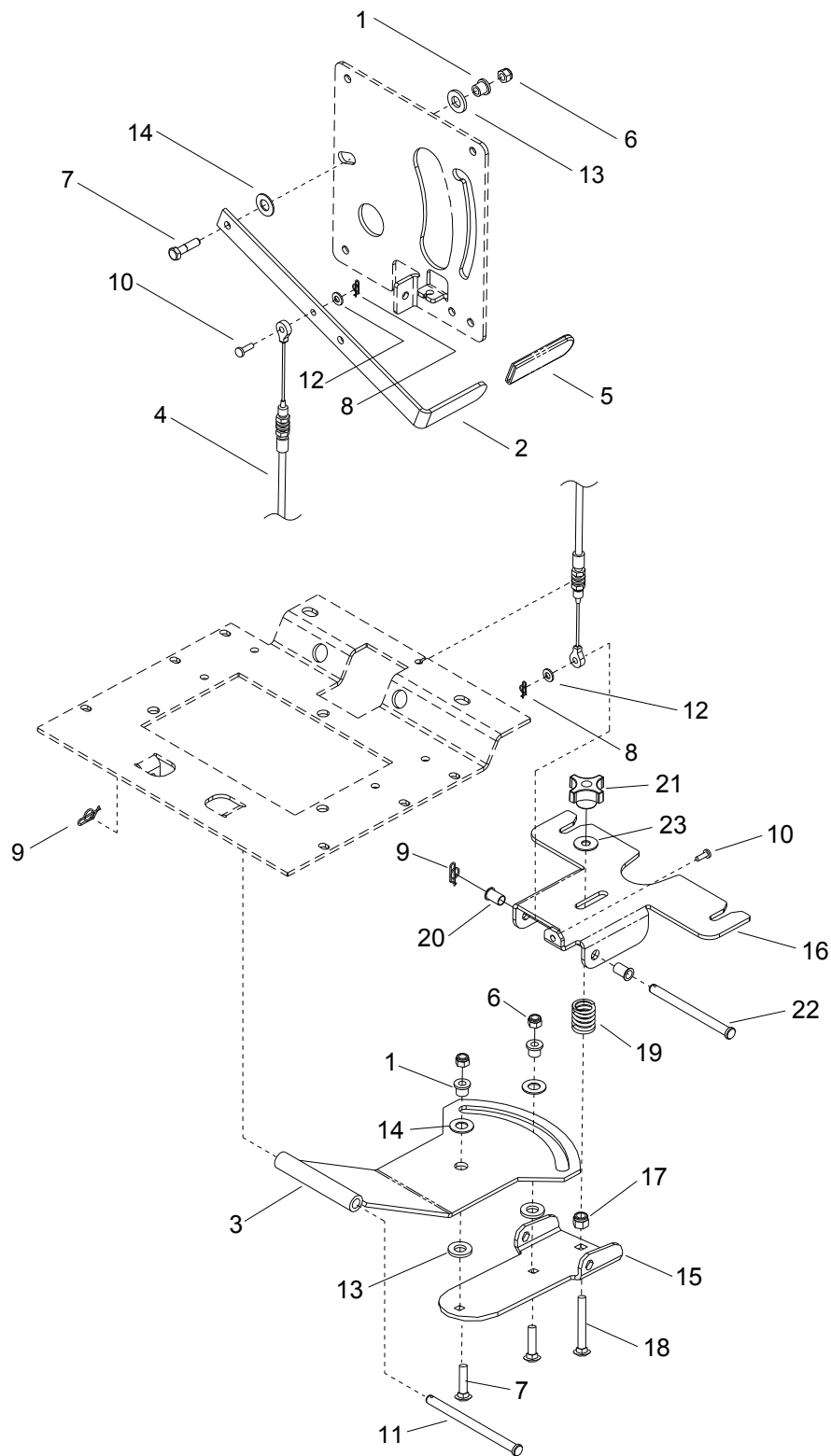
REF	PART NO.	QTY	DESCRIPTION	SERIAL NO. FROM	NOTES:
1	86096000	1	WELDMENT, SQUEEGEE MAIN		
2	86010890	2	WHEEL, BUMPER		
3	86278350	2	SHOULDER BOLT, 3/8 OD X 1.0 L SS		
4	86003980	1	GASKET, SQG .13 THK X 8.00 LG		
5	86219690	2	KNOB, 1.50 OD X 5/16-18		
6	86008660	2	COTTER, 5/16" RING		
7	86010670	2	WASHER, 5/16 FLAT SS		
8	86276780	2	SCR, 5/16-18 X 3/4HHCS SS		
9	86010880	2	WHEEL, 1.50D X .31ID X .75W GRY		
10	86006200	2	PIN, CLEVIS 5/16" X 1.50" PLTD		
11	86001810	2	BRKT, SQG WHEEL		
12	86008320	2	SPACER, .314 X .59 X .36 NYLON		
13	-	-	OPEN		
14A	86087870	2	STRAP, FRONT AND REAR STANDARD		
14B	86088090	-	STRAP, REAR CLOSED END HIGH VAC		OPTIONAL
15A	86007370	1	BLADE, RED REAR SOFT DURO 40		
15B	86007260	-	BLADE, BLU RIB FRT/REAR URETHAN		OPTIONAL
15C	86007610	-	BLADE, RED REAR MEDIUM DURO 60		OPTIONAL
16	86007360	1	BLADE, RED FRONT 5 SLOT DURO 40		
17	86276650	2	SCR, 5/16-18 X 1.5 BSHCS SS		
18	86271770	8	NUT, 10-24 HEX NYLOCK SS		



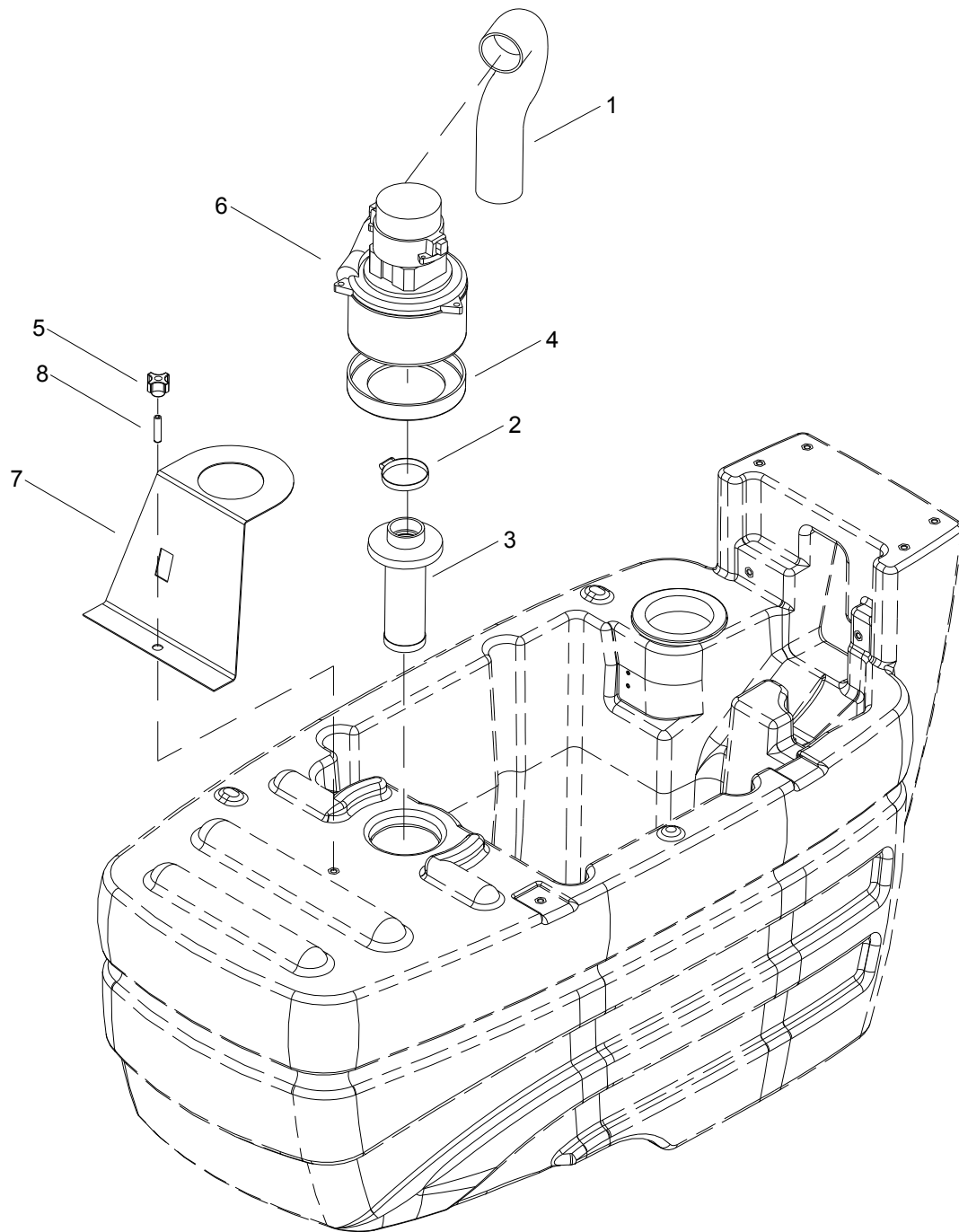
REF	PART NO.	QTY	DESCRIPTION	SERIAL NO. FROM	NOTES:
1	86228840	4	BEARING, FLANGED.314IDX.502OD		
2	86077220	1	LEVER, SQUEEGEE LIFT		
3	86072410	1	BRKT, SQG PIVOT, LIFT		
4	86003180	1	CABLE, .09X29, 0707,SS,LB,E-E		
5	86403710	1	GRIP, YLW		
6	86005750	4	NUT, 5/16-18 HEX NYLOCK		
7	86274910	2	SCR, 5/16-18 X 1.25HHCS GR5PLT		
8	86008650	2	COTTER, 1/4 RING		
9	86008670	1	COTTER, 3/8 RING		
10	86009560	2	PIN, CLEVIS 1/4'X5/8" PLTD		
11	86272710	1	PIN, CLEVIS 3/8 X 5.25 PLTD		
12	86010630	2	WASHER, 1/4 ID X 5/8 OD SS		
13	86259400	4	WASHER, THRUST.51 ID X 1 ODBRO		
14	86259410	4	WASHER, THRUST.51 ID X1ODX.063		
15	86095990	1	WELDMENT, SQUEEGEE LINK		
16	86276760	2	SCR, 5/16-18 X 1.25 BSHCS		



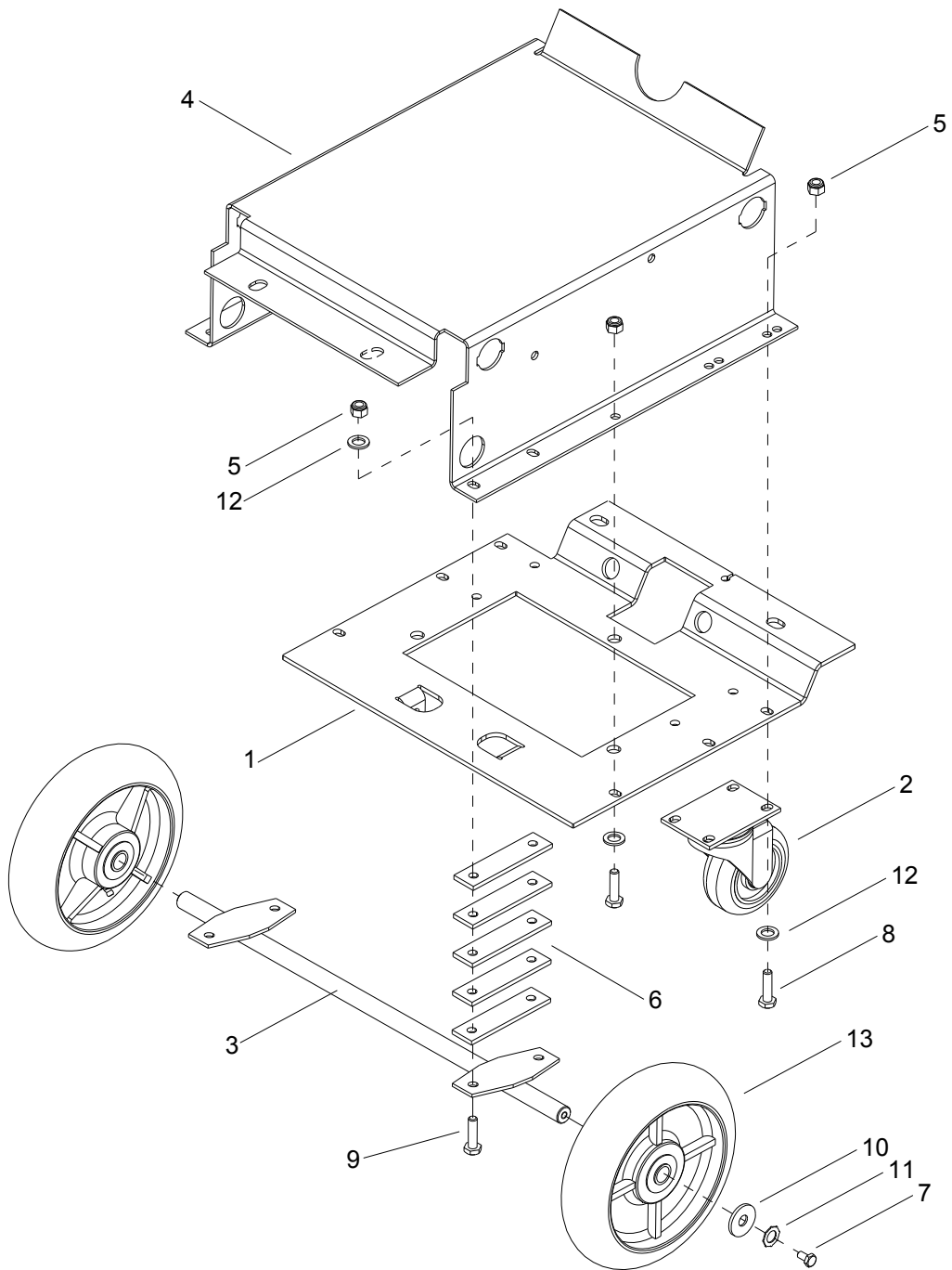
REF	PART NO.	QTY	DESCRIPTION	SERIAL NO. FROM	NOTES:
1	86082500	1	PLATE, SQUEEGEE TOP 32 IN		
2	86082510	1	PLATE, SQG VERTICAL FILLER (F)		
3	86082520	1	PLATE, SQG VERTICAL FILLER (R)		
4	86082530	1	PLATE, SQUEEGEE BOTTOM 32 IN		
5	86274130	2	SCR, 8-32 X 3/8 PHTC 'F' PLTD		
6	86009910	1	VIAL, LEVEL		
7	86009200	2	KNOB, 3/8-16 4 PRONG ALUM		
8	86276870	2	SCR, 3/8-16 X 2.50 CARRIAGE SS		
9	86005630	4	NUT, 3/8-16 HEX NYLOCK THIN SS		
10	86010680	2	WASHER, 3/8ID X 3/4OD NYLON		
11	86008390	1	TUBE ASM, SQUEEGEE VAC		
12	86001850	1	BAND, REAR SQUEEGEE		
13	86007780	2	SPRING, COMP .60D X 2.0L X .045W		
14	86276990	2	SCR, 3/8-16 X 3.5 CARRIAGE SS		
15	86009170	1	LATCH, SQUEEGEE STRAP		
16	86009180	1	STRIKER, SQUEEGEE STRAP REAR		
17	86006400	4	RIVET, 5/32 OF X 1/8 GRIP		
18	86001860	1	BAND, REAR SQUEEGEE		
19	86005810	2	NUT, 1/4-20 HEX NYLOCK SS		
20	86001880	1	BLADE, SQUEEGEE REAR LINATEX 3/16		
21	86277000	2	SCR, 1/4-20 X 1.75 CARRIAGE SS		
22	86270830	2	NUT, 5/16-18 HEX NYLOCK SS		
23	86005840	2	NUT, 3/8-16 HEX COUPLING SS		
24	86276980	2	SCR, 5/16-18 X 2 HHCS SS		
25	86276920	2	SCR, 3/8-16 X 1 HHCS SS NP		
26	86005650	2	NUT, 5/16-18 HEX		
27	86010670	2	WASHER, 5/16 FLAT SS		
28	86001350	4	BUSHING, SPANNER .435 X 1.10		
29	86011020	4	WHEEL, 3" DIA CUSHION RUBBER		
30	86069870	2	BRACKET, SQG WHEEL		
31	86006270	2	PIN, CLEVIS 5/16 X 1.625 LG		
32	86008660	2	COTTER, 5/16" RING		
33	86271820	3	NUT, 5/16-18 CAPTIVE "J" PLTD		
34	86007040	3	SCR, 5/16-18 X 1 THUMB SS TYPE P		
35	86001870	1	BLADE, SQUEEGEE FRONT (3-SLOTS)		
36	86001840	1	BAND, SQUEEGEE FRONT		
37	86394560	2	LABEL, KNOB YELLOW		
-	86026560	-	SQUEEGEE ASSEMBLY		COMPLETE



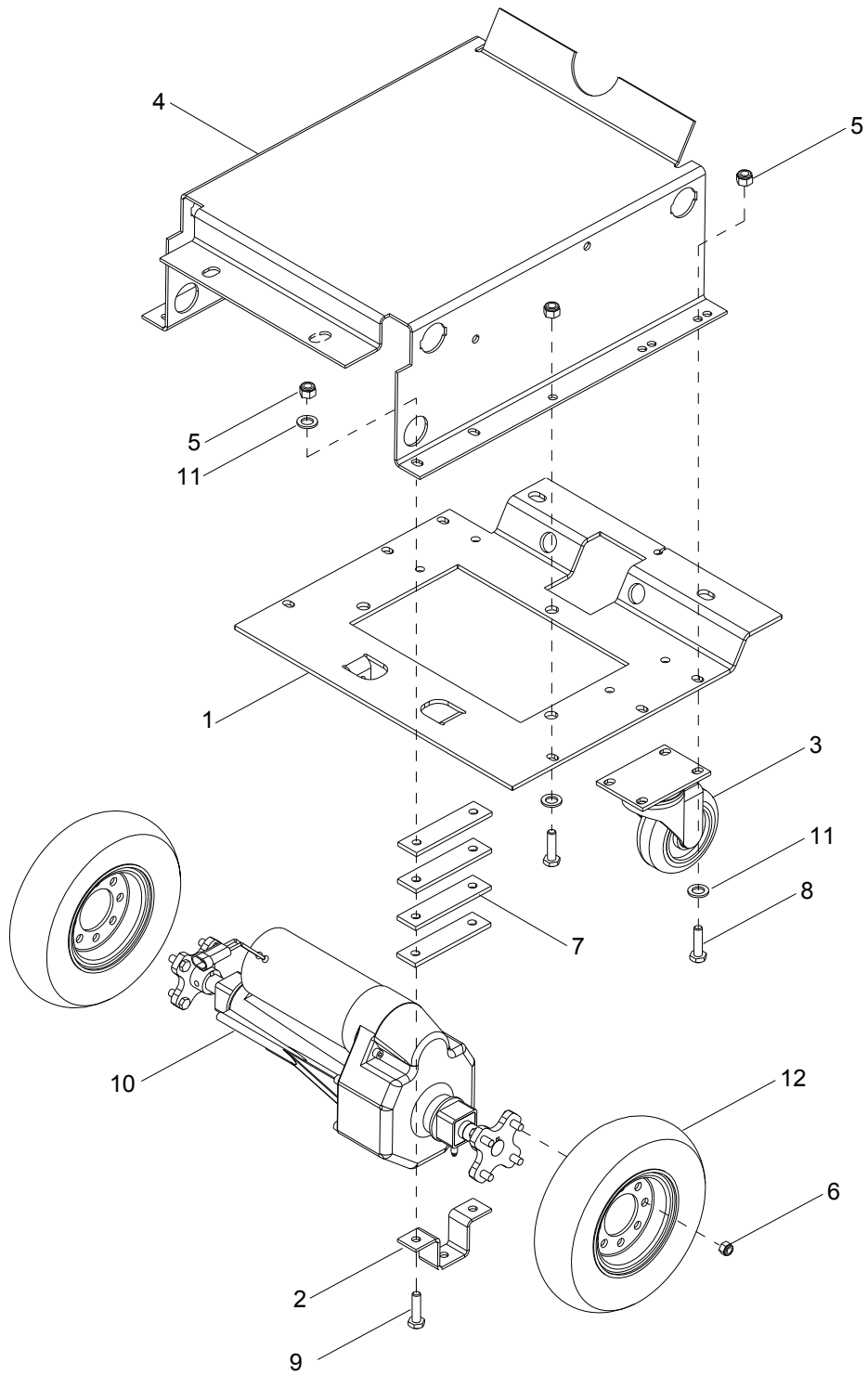
REF	PART NO.	QTY	DESCRIPTION	SERIAL NO. FROM	NOTES:
1	86228840	4	BEARING, FLANGED.314IDX.502OD		
2	86077220	1	LEVER, SQUEEGEE LIFT		
3	86065100	1	BRKT, SQG PIVOT/LIFT		
4	86003180	1	CABLE, .09X29, 0707,SS,LB,E-E		
5	86403710		GRIP, YLW		
6	86271840	4	NUT, 5/16-18 HEX NYLOCK THIN SS		
7	86277130	4	SCR, 5/16-18 X 1.00 CARRIAGE SS		
8	86008650	2	COTTER, 1/4 RING		
9	86008670	1	COTTER, 3/8" RING		
10	86009560	2	PIN, CLEVIS 1/4'X5/8" PLTD		
11	86272710	1	PIN, CLEVIS 3/8 X 5.25 PLTD		
12	86010630	2	WASHER, 1/4 ID X 5/8 OD SS		
13	86259400	4	WASHER, THRUST.51 ID X 1 ODBRO		
14	86259410	4	WASHER, THRUST.51 ID X1ODX.063		
15	86072530	1	BRKT, CAMBER PIVOT		
16	86073710	1	BRKT, SQUEEGEE MOUNT		
17	86005630	1	NUT, 3/8-16 HEX NYLOCK THIN SS		
18	86276870	1	SCR, 3/8-16 X 2.50 CARRIAGE SS		
19	86007310	1	SPRING, COM .97 ODX1.5LX .135W		
20	86008870	2	BEARING,FLANGED 3/8" ID 11/16"		
21	86009200	1	KNOB, 3/8-16 4 PRONG		
22	86249060	1	PIN, CLEVIS 3/8 X 4.63 PLTD		
23	86279510	1	WASHER, 3/8 FLAT		



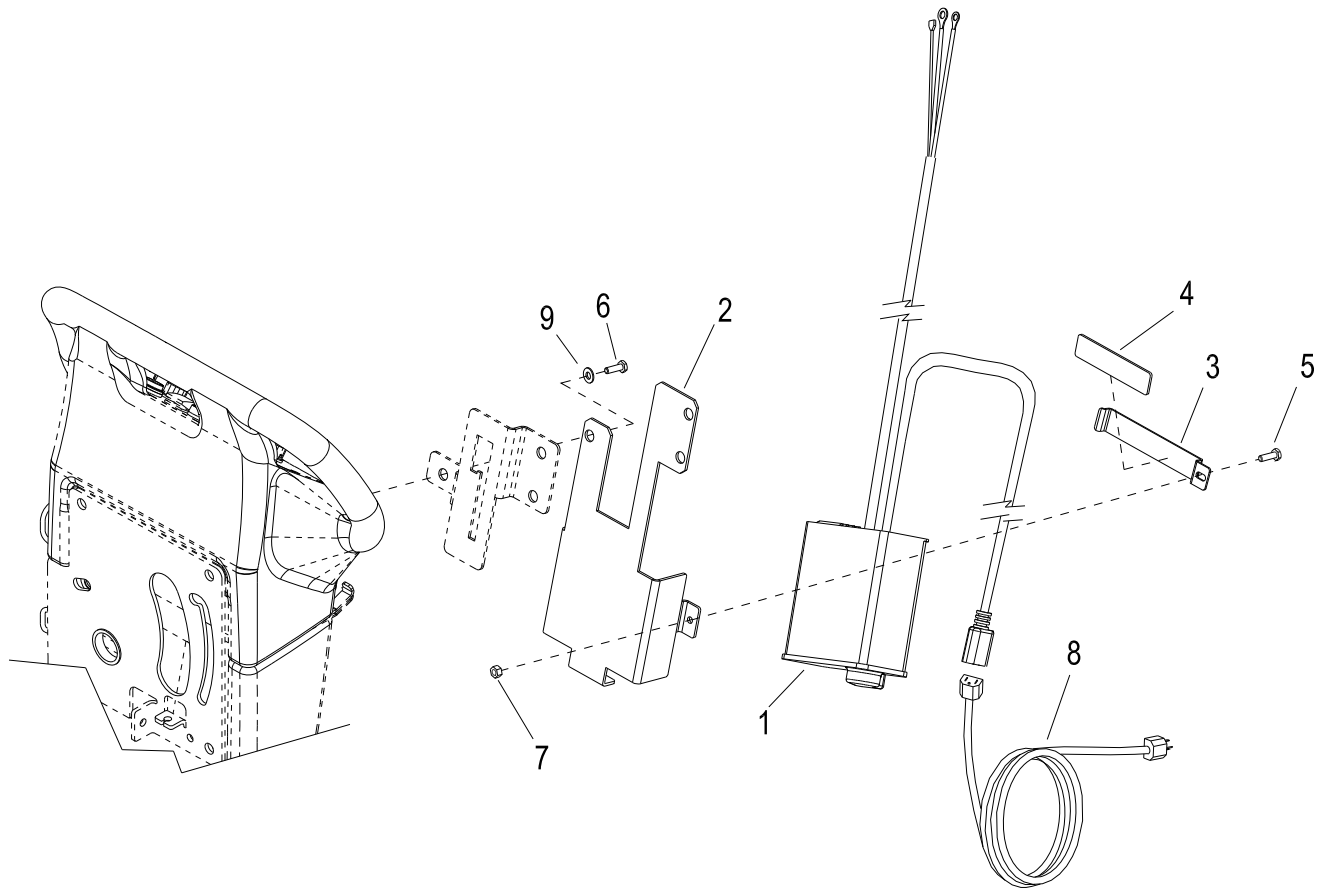
REF	PART NO.	QTY	DESCRIPTION	SERIAL NO. FROM	NOTES:
1	86240120	1	HOSE ASM, 1.5 BLK VAC X 5.0		
2	86002390	1	CLAMP, 1.75" WORM GEAR X .312		
3	86236400	1	FLOAT SHUT-OFF		
4	86237230	1	GASKET, 5.7 VAC MOTOR		
5	86377890	1	KNOB, 1.36" DIA X 5/16-18		
6	86005460	1	VAC MOTOR ASM, 24VDC 3 STAGE		
-	86326980	-	BRUSH SET, 24V/36V VAC WSDR		
7	86081750	1	PLATE, VAC RETAINER		
8	86278110	1	SET SCR, 5/16-18 X1.5 CP SS DL		



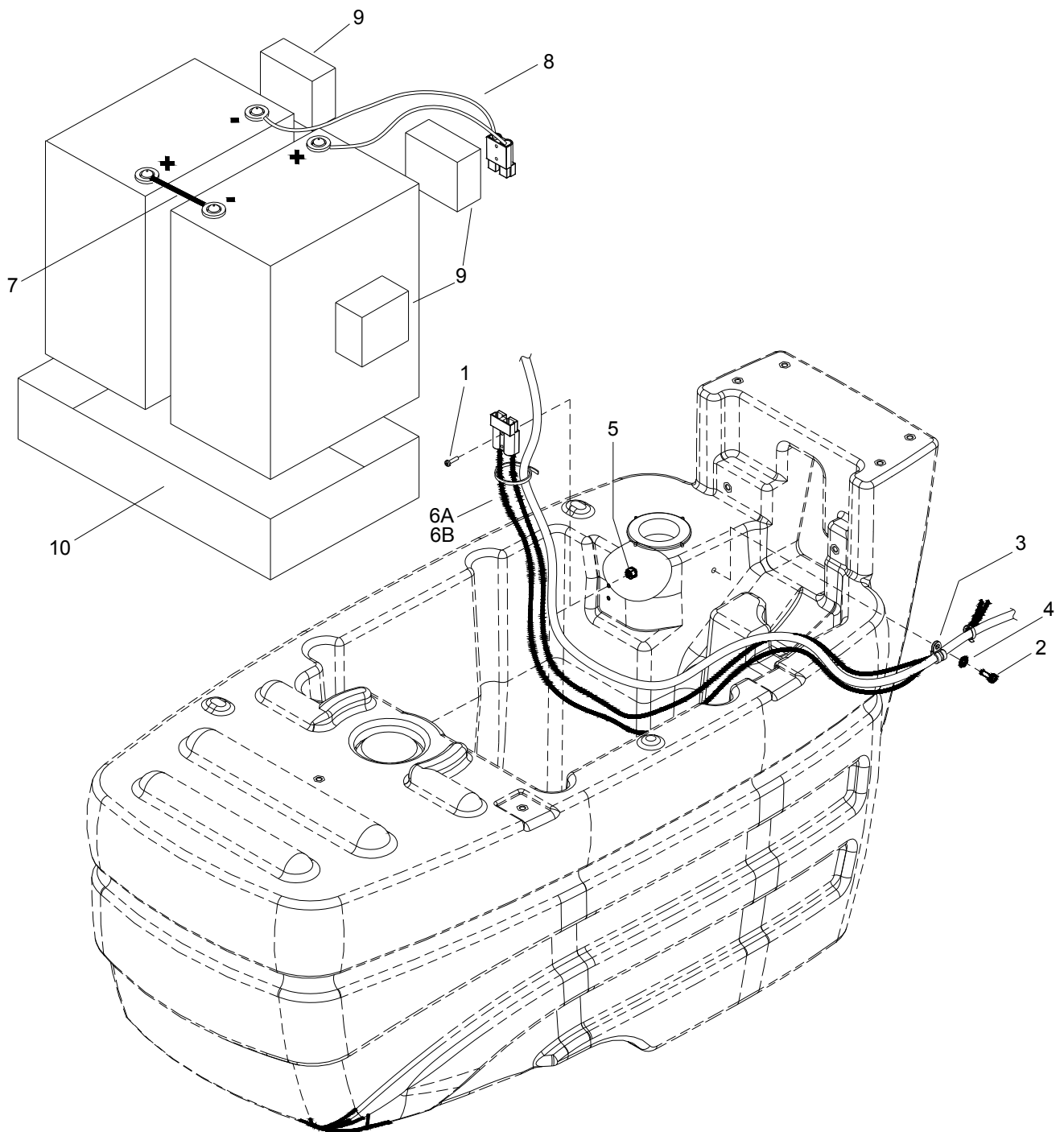
REF	PART NO.	QTY	DESCRIPTION	SERIAL NO. FROM	NOTES:
1	86072400	1	BRKT, FRAME BOTTOM		
2	86002300	2	CASTER, SWIVEL 3.50 X 4.69		
3	86066290	1	WELDMENT, AXLE		
4	86075780	1	FRAME, MAIN		
5	86270830	14	NUT, 5/16-18 HEX NYLCK		
6	86081870	10	PLATE, TRANSAXLE SPACER		
7	86273830	2	SCR, 1/4-20 X 1/2 HHCS SS DL		
8	86006560	10	SCR, 5/16-18 X 1"HHCSGR5PLT DL		
9	86274690	4	SCR, 5/16-18 X 1.5 HHCS GR5 PLTD		
10	86278940	2	WASHER, 1/4 ID X 1-1/4 OD PLT		
11	86010660	2	WASHER, 1/4 LOCK EXT STAR SS		
12	86010670	14	WASHER, 5/16 FLAT SS		
13	86011100	2	WHEEL, 8" X 2" X .63 ID PERFORMA		
-	86230250	-	BEARING, REPLACEMENT FOR 86011100		NOT SHOWN



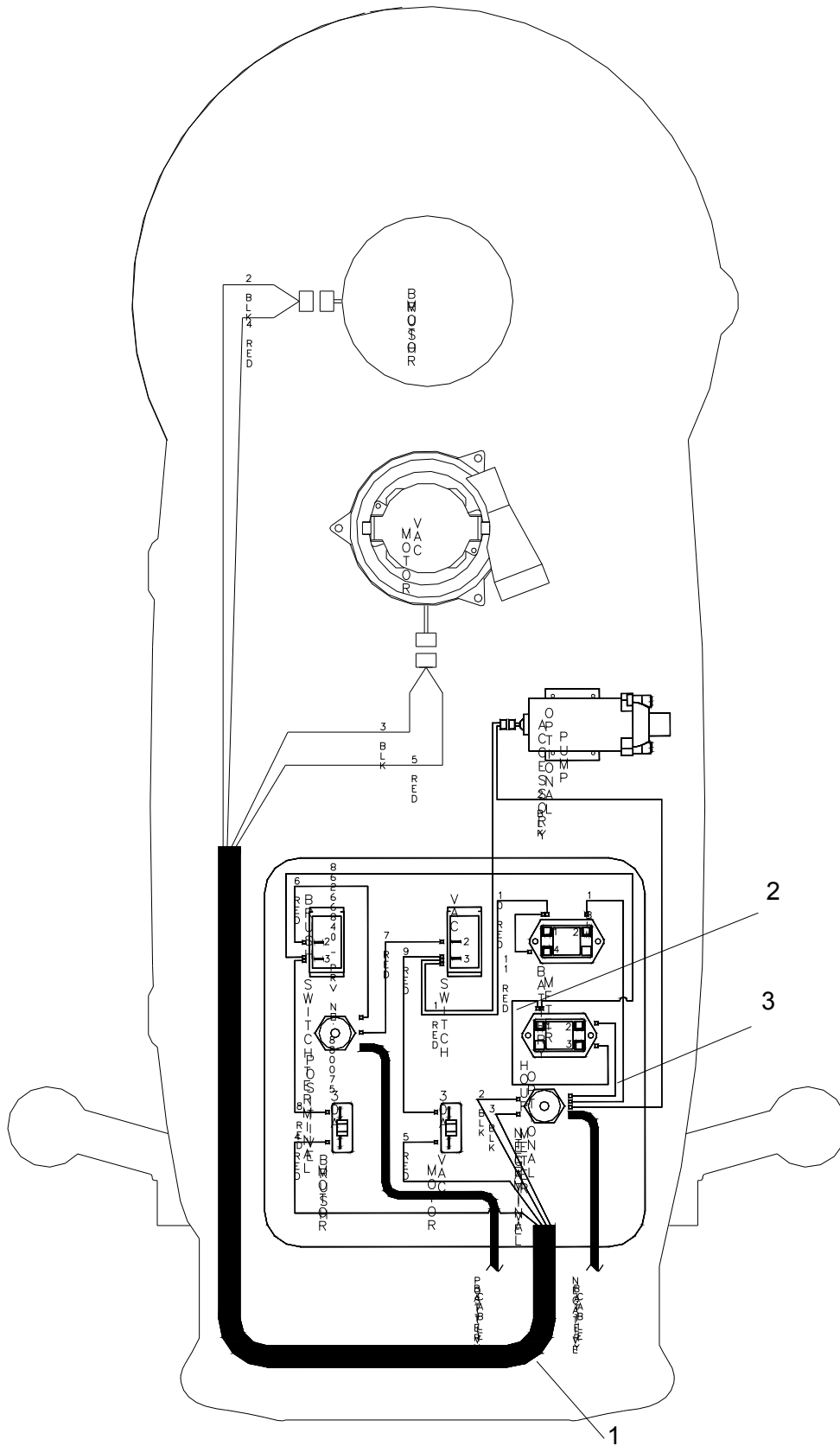
REF	PART NO.	QTY	DESCRIPTION	SERIAL NO. FROM	NOTES:
1	86072400	1	BRKT, FRAME BOTTOM		
2	86230330	2	BRKT, TRANSAXLE MOUNT		
3	86002300	2	CASTER, SWIVEL 3.50 X 4.69		
4	80675780	1	FRAME, MAIN		
5	86270830	14	NUT, 5/16-18 HEX NYLCK		
6	86005780	8	NUT, 5/16-24 HEX NYLOCK PLTD		
7	86081870	8	PLATE, TRANSAXLE SPACER		
8	86006560	10	SCR, 5/16-18 X 1"HHCSGR5PLT DL		
9	86274910	4	SCR, 5/16-18 X 1.25 HHCS GR5		
10	86008380	1	TRANSAXLE, 24VDC		
-	86216150	-	BRUSH SET, 24V TRANSAXLE		NOT SHOWN
-	86135880	-	HUB KIT, 86008380 TRANSAXLE		
-	86241840	-	KEY, WOODRUFF .75ID HUB		
11	86010670	14	WASHER, 5/16 FLAT SS		
12	86011080	2	WHEEL, 7.87 X 2 X 1.77 BLK		



REF	PART NO.	QTY	DESCRIPTION	SERIAL NO. FROM	NOTES:
1	86329590	1	CHRGR, 24V 9A, 20" LEAD ACID		
2	86065090	1	BRKT, CHARGER 20 INCH		
3	86329650	1	LOCK PLATE, 20" SPE CHARGER		
4	86198530	0.8	FOAM TAPE, 1/8T X 3/4 1SDA		
5	86275210	1	SCR, 1/4-20 X 1/2 PHTR BLK DL		
6	86006760	3	SCR, 5/16-18 X 3/4 HHCS GR5 PLTDL		
7	86005710	1	NUT, 1/4-20 HEX W/STAR WASHER		
8	86234390	1	CORD ASM, 16/3 SJTW X 2M IEC		
9	86010670	3	WASHER, 5/16 FLAT SS		

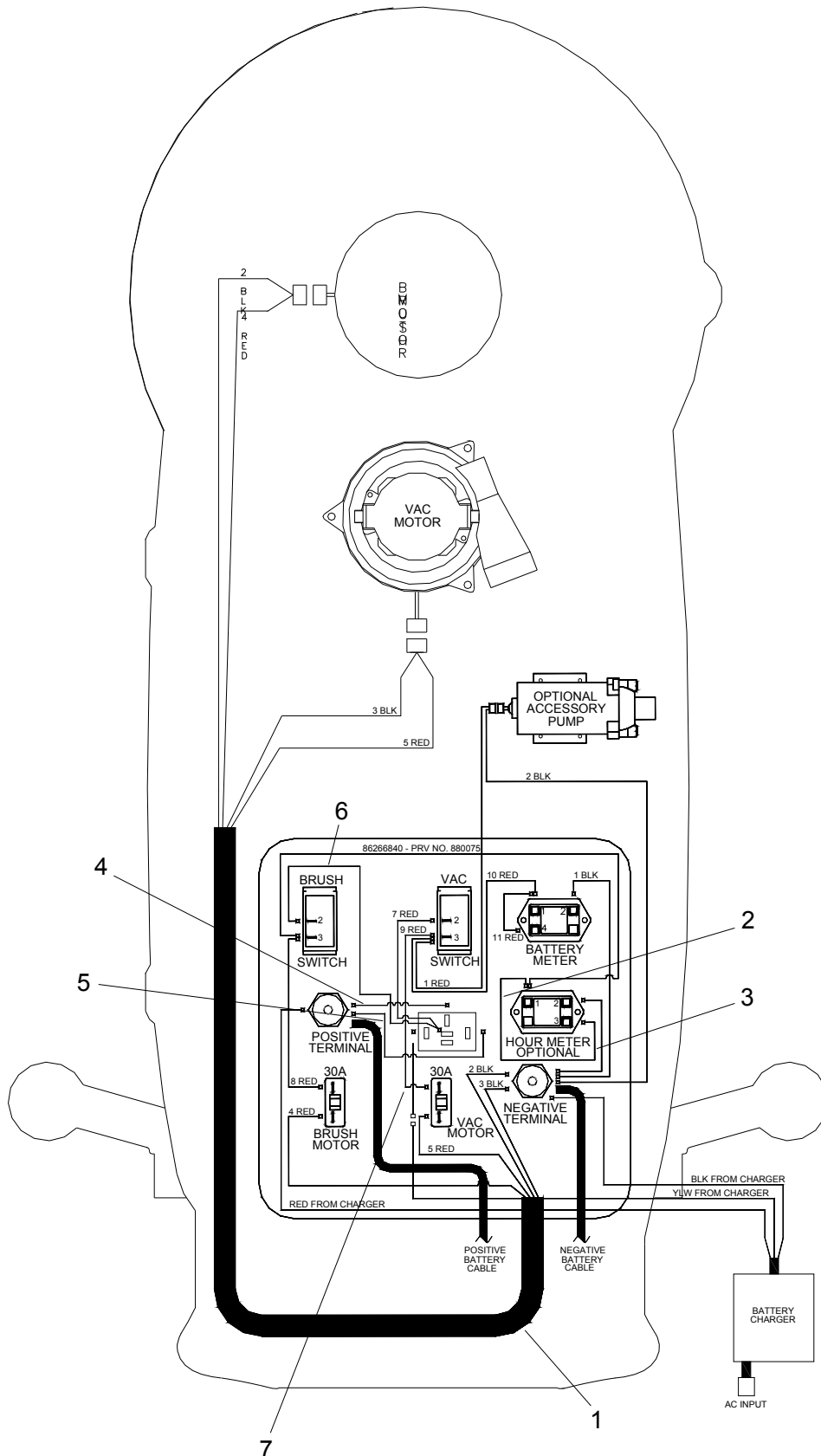


REF	PART NO.	QTY	DESCRIPTION	SERIAL NO. FROM	NOTES:
1	86275550	2	SCR, 6-32 X 1.25 PPHMS		
2	86006760	1	SCR, 5/16-18 X 3/4HHCSGR5PLTDL		
3	86233410	1	CLAMP, 3/4 DIA CUSHION .406DIA		
4	86010670	1	WASHER, 5/16 FLAT SS		
5	86270920	2	NUT, 6-32 HEX NYLOCK SS		
6A	86260460	1	WIRE ASM, 33, 6G 1/4 RING		NON-TRACTION
6B	86260470	1	WIRE ASM, 26.5, 6G RING		TRACTION
7	86329720	1	BATT, CBL, ASM, JUMPER		
8	86002540	1	WIRE ASM 2X21 BATT W/ANDERSON		
9	86392520	3	BLOCK, FOAM, 2.5 X 3.5 X 4.0, TAPERED		NOT USED WITH 205AH BATTERIES
10	86064650	1	TRAY, BATTERY		OPTIONAL



REF	PART NO.	QTY	DESCRIPTION	SERIAL NO. FROM	NOTES:
1	86238880	1	HARNESS, MAIN		
2	86268650	1	WIRE, 4" RED/18 76040 X 76040		
3	86266690	1	WIRE, 6" BLK/18 76011 X 76040		

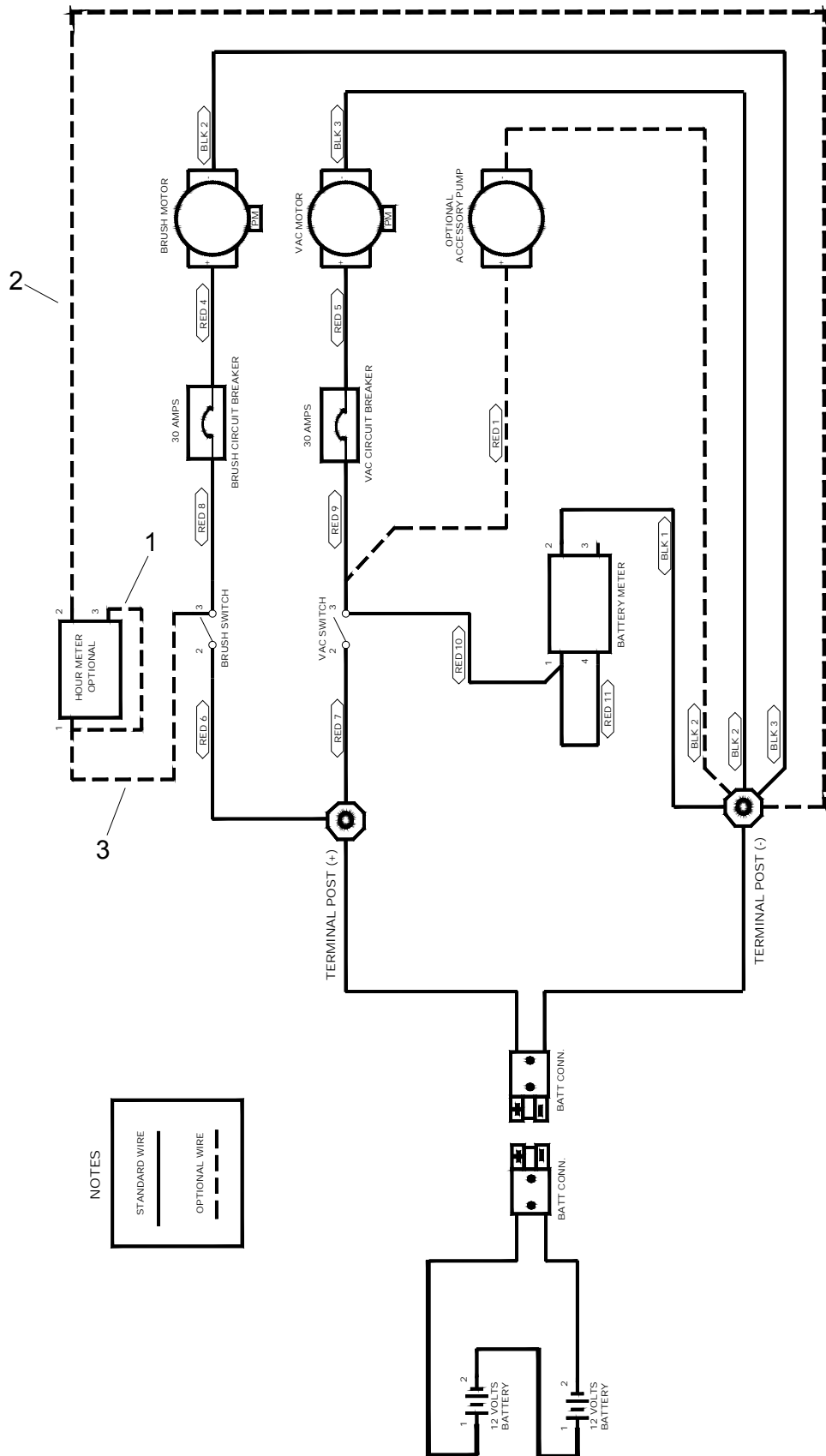
# Wiring - Control Panel - Non-Traction Battery Charger



*Wiring - Control Panel - Non-Traction Battery Charger*

REF	PART NO.	QTY	DESCRIPTION	SERIAL NO. FROM	NOTES:
1	86238880	1	HARNESS, MAIN		
2	86268650	1	WIRE, 4" RED/18 76040 X 76040		
3	86266690	1	WIRE, 6" BLK/18 76011 X 76040		
4	86268030	1	WIRE, 14" RED/10 76081 X 76064		
5	86268040	1	WIRE, 14" RED/14 76001 X 76029		
6	86268050	1	WIRE, 14" RED/12 76064 X 76064		
7	86268070	1	WIRE, 2" YLW/16 76029 X 76029		

# Wiring - Schematic - Non-Traction

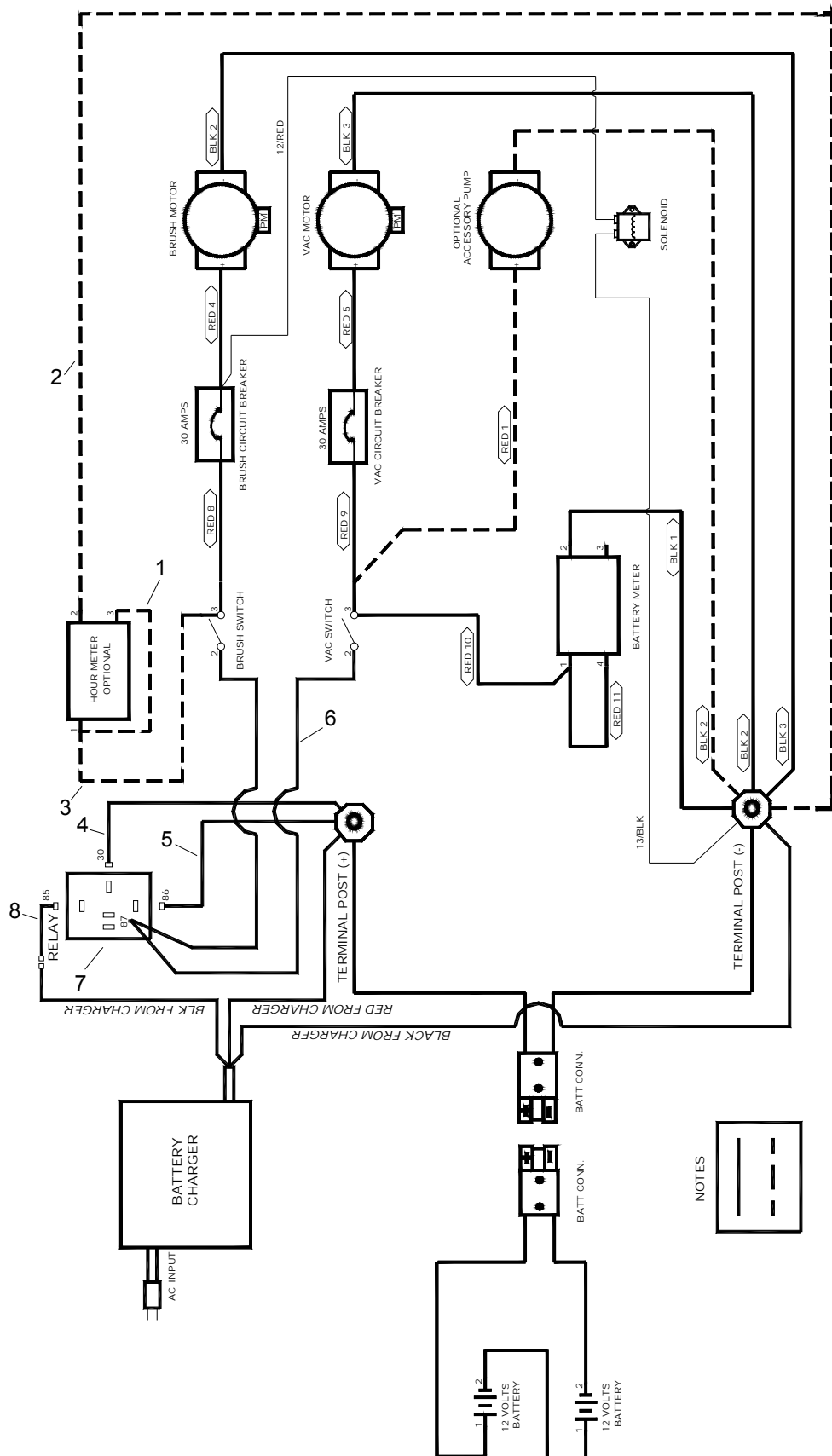


NOTES

STANDARD WIRE	—
OPTIONAL WIRE	- - -

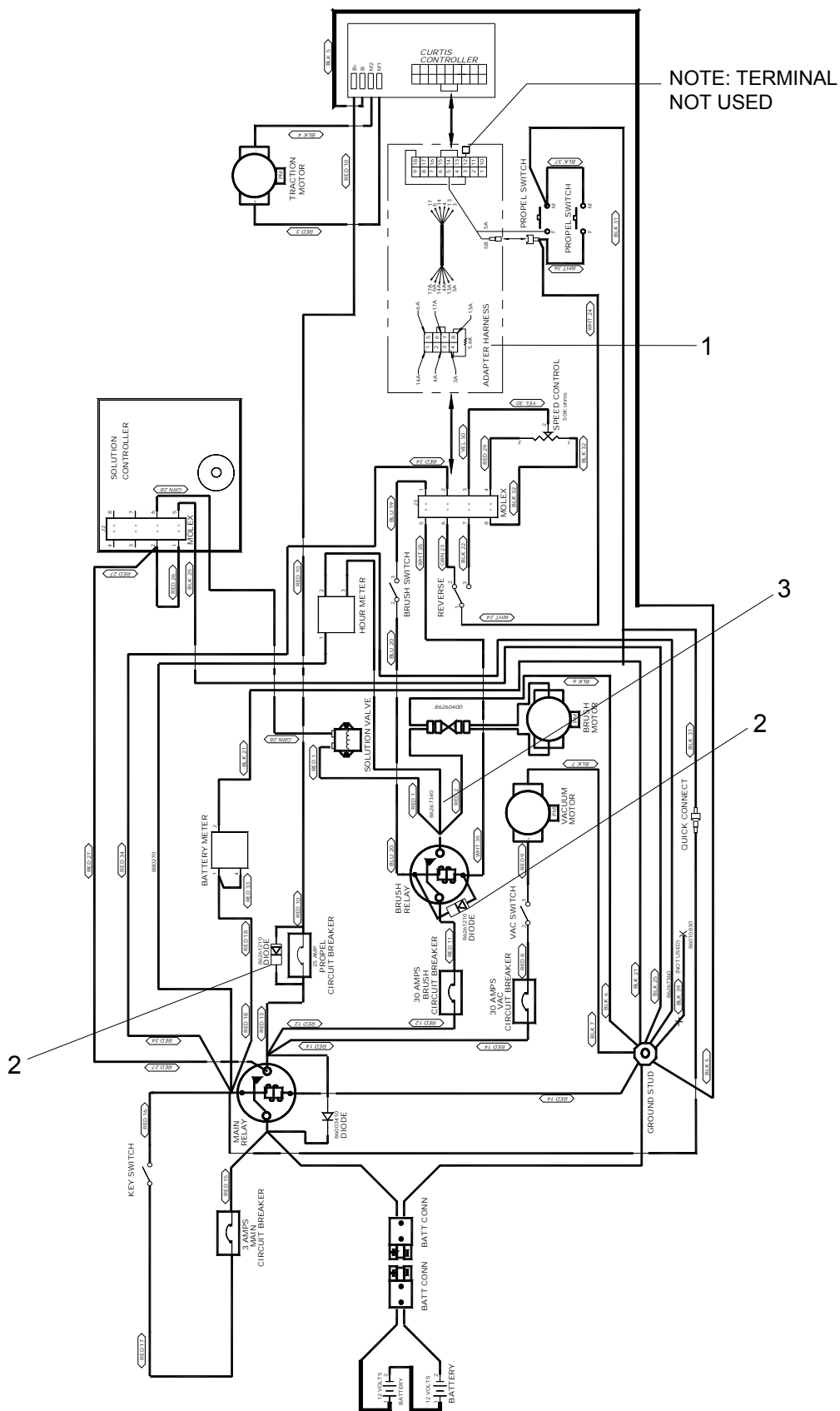
REF	PART NO.	QTY	DESCRIPTION	SERIAL NO. FROM	NOTES:
1	86268650	1	WIRE, 4" RED/18 76040 X 76040		
2	86266690	1	WIRE, 6" BLACK/18 76011 X 76040		
3	86266840	1	WIRE, 8" RED/18 76031 X 76031		

# Wiring - Schematic - Non-Traction & Onboard Charging



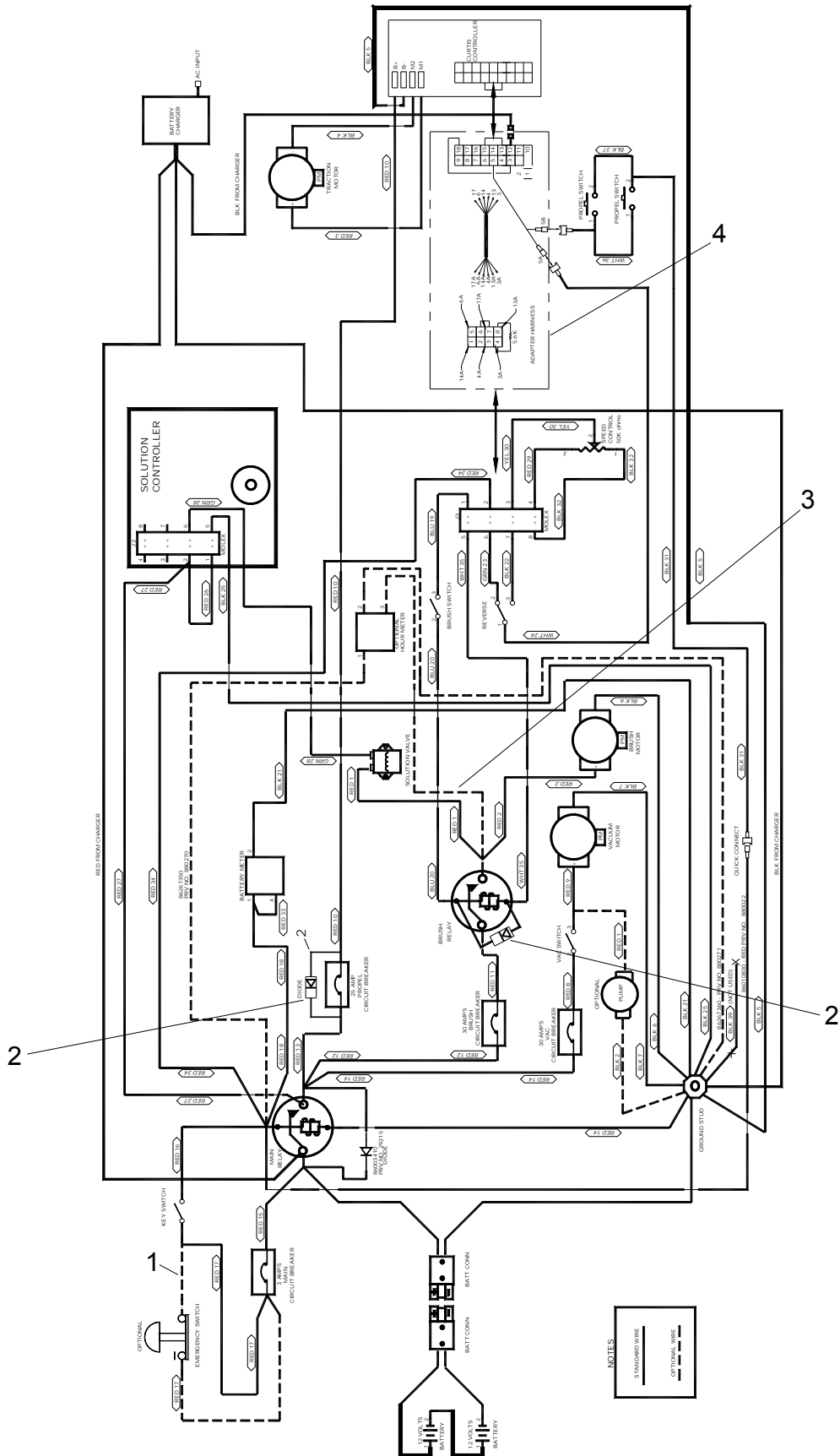
*Wiring - Schematic - Non-Traction Onboard Charging*

<b>REF</b>	<b>PART NO.</b>	<b>QTY</b>	<b>DESCRIPTION</b>	<b>SERIAL NO. FROM</b>	<b>NOTES:</b>
1	86268650	1	WIRE, 4" RED/18 76040 X 76040		
2	86266690	1	WIRE, 6" BLK/18 76011 X 76040		
3	86266840	1	WIRE, 8" RED/18 76031 X 76031		
4	86268030	1	WIRE, 14" RED/10 76081 X 76064		
5	86268040	1	WIRE, 14" RED/14 76001 X 76029		
6	86268050	1	WIRE, 14" RED/ 12 76064 X 76064		
7	86251390	1	RELAY, 24 VDC 40A		
8	86268070	1	WIRE, 2" YLW/16 76029 X 76029		



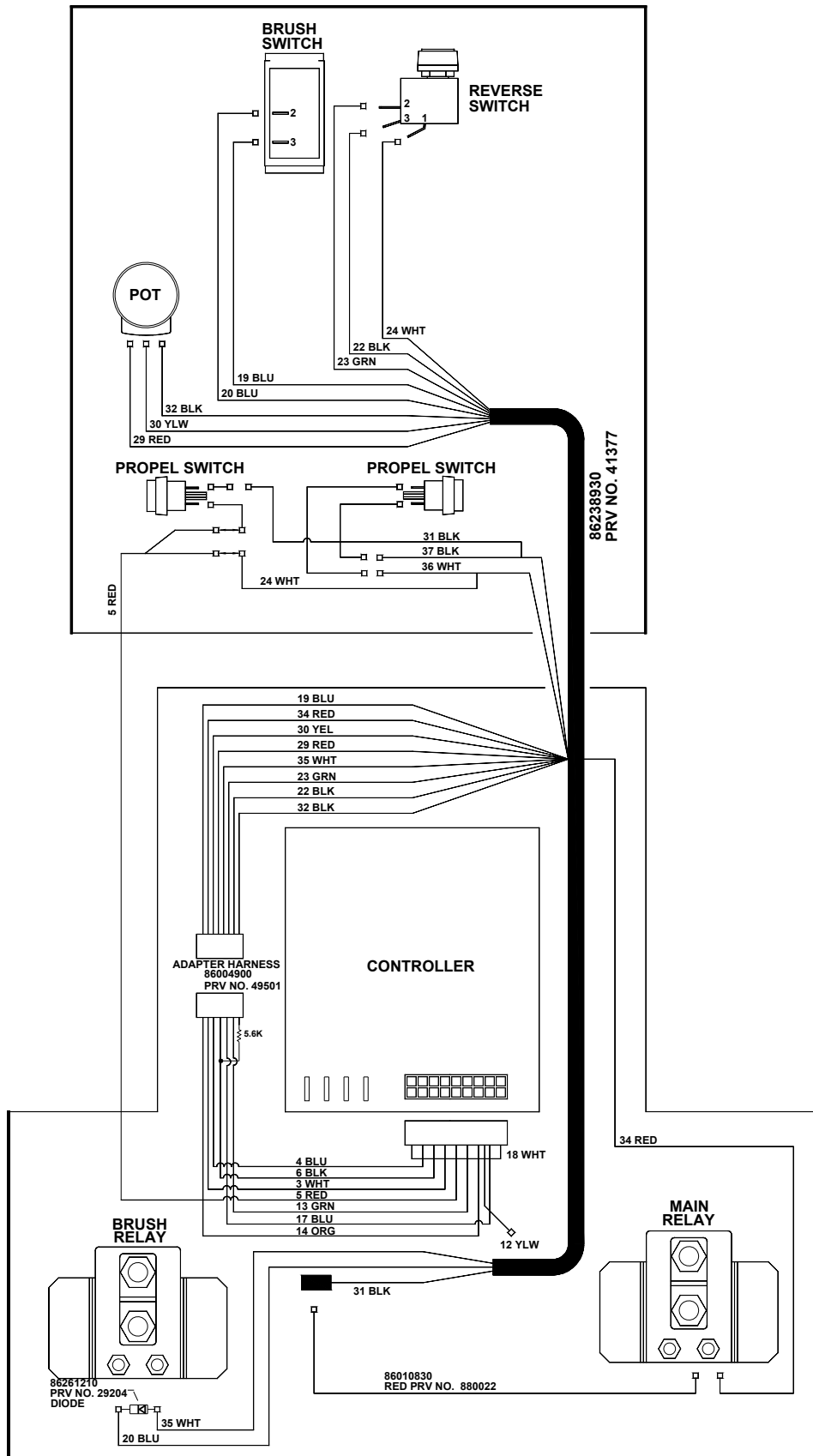
REF	PART NO.	QTY	DESCRIPTION	SERIAL NO. FROM	NOTES:
1	86004900	1	HARNESS, ADAPTER SC20		
2	86261210	2	DIODE ASM, 76008 X 76008		
3	86267340	1	WIRE, 22" RED/18 76040 X 76075		
4	86269300	1	WIRE, 16" RED/18 STRIP X STRIP		NOT SHOWN

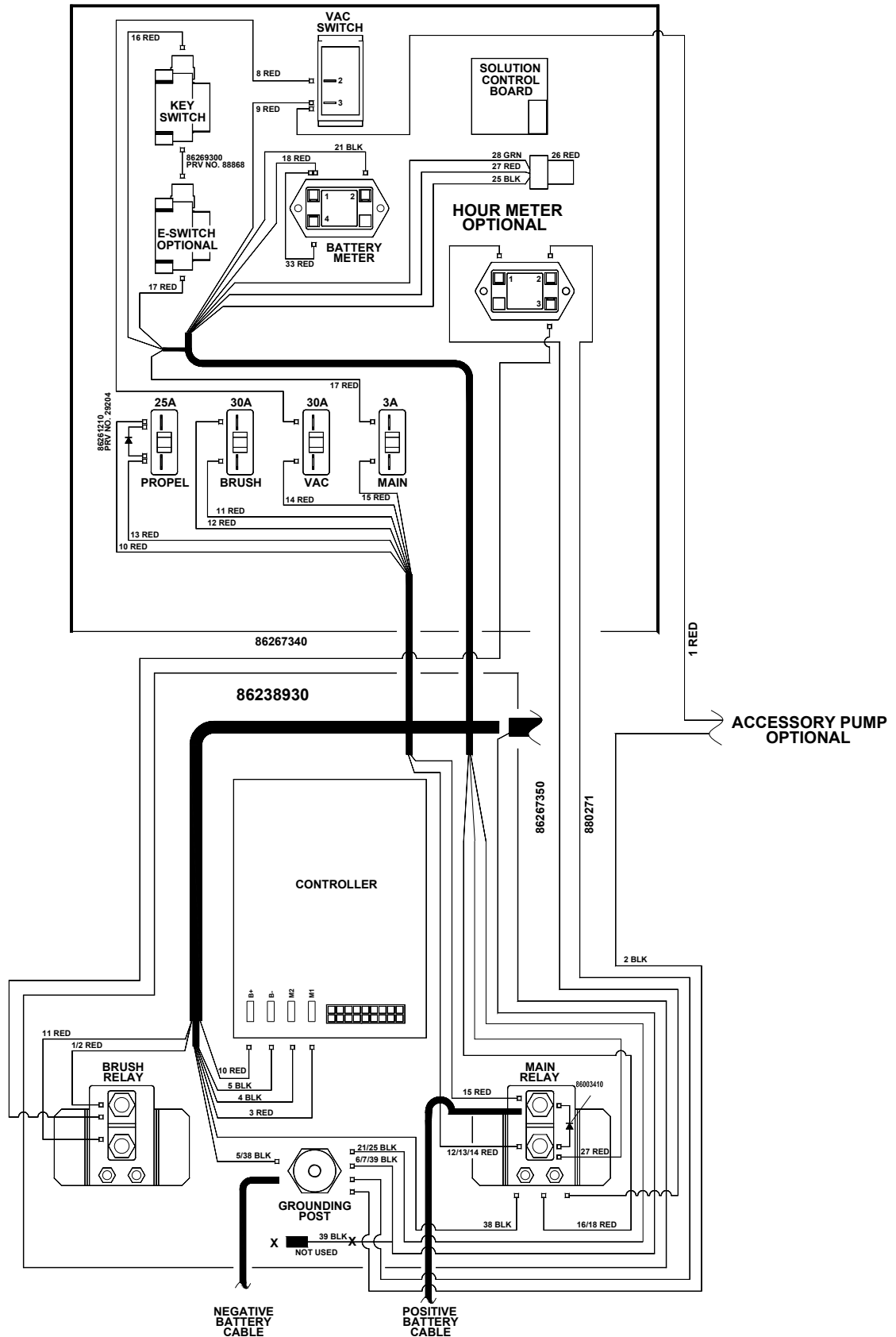
# Wiring - Schematic - Traction & Onboard Charging

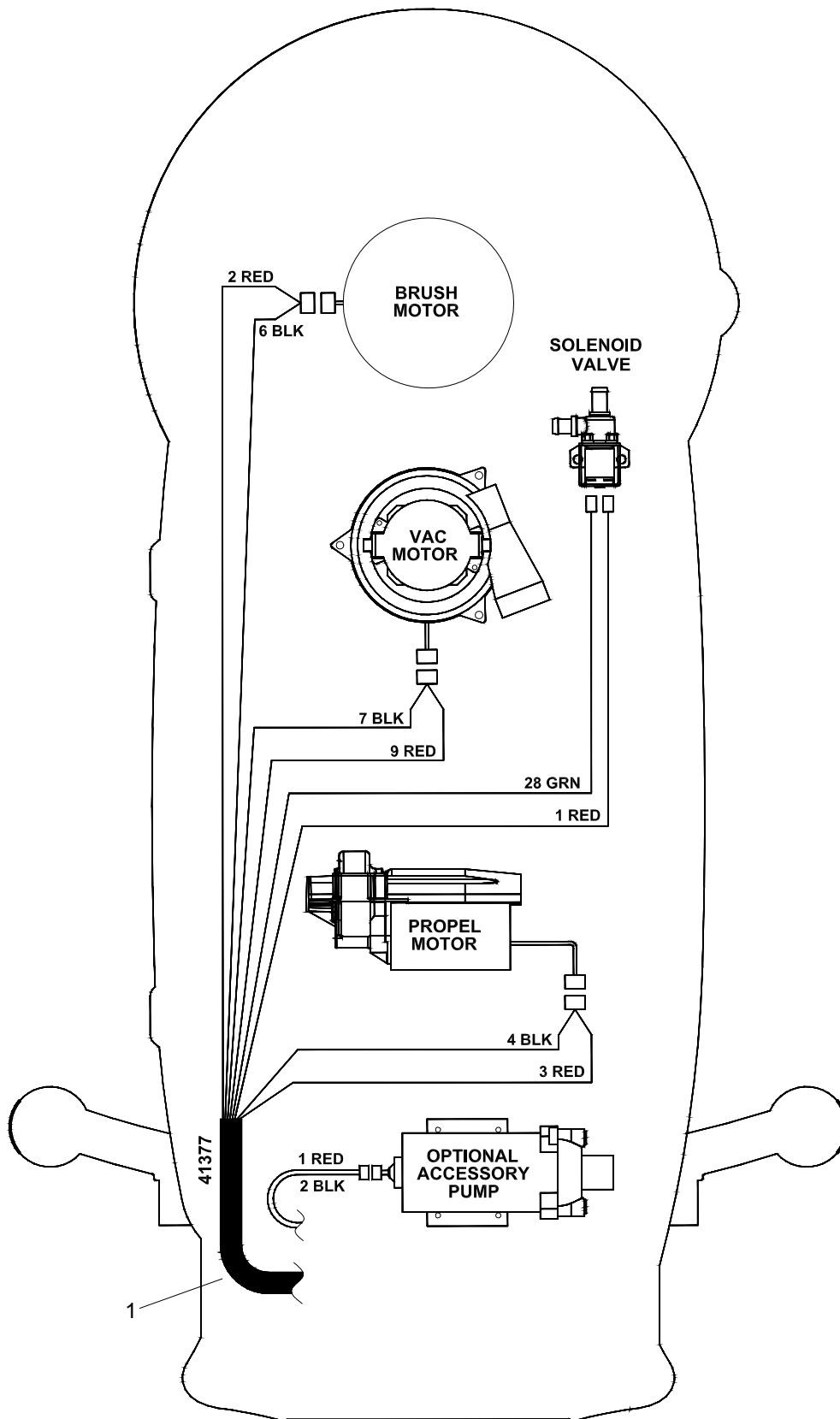


<b>REF</b>	<b>PART NO.</b>	<b>QTY</b>	<b>DESCRIPTION</b>	<b>SERIAL NO. FROM</b>	<b>NOTES:</b>
1	86269300	1	WIRE, 16" RED/18 STRIP X STRIP		
2	86261210	2	DIODE ASM, 76008 X 76008		
3	86267340	1	WIRE, 22" RED/18 76040 X 76075		
4	86004900	1	HARNESS, ADAPTER SC20		

# Wiring - Control Panel - Traction



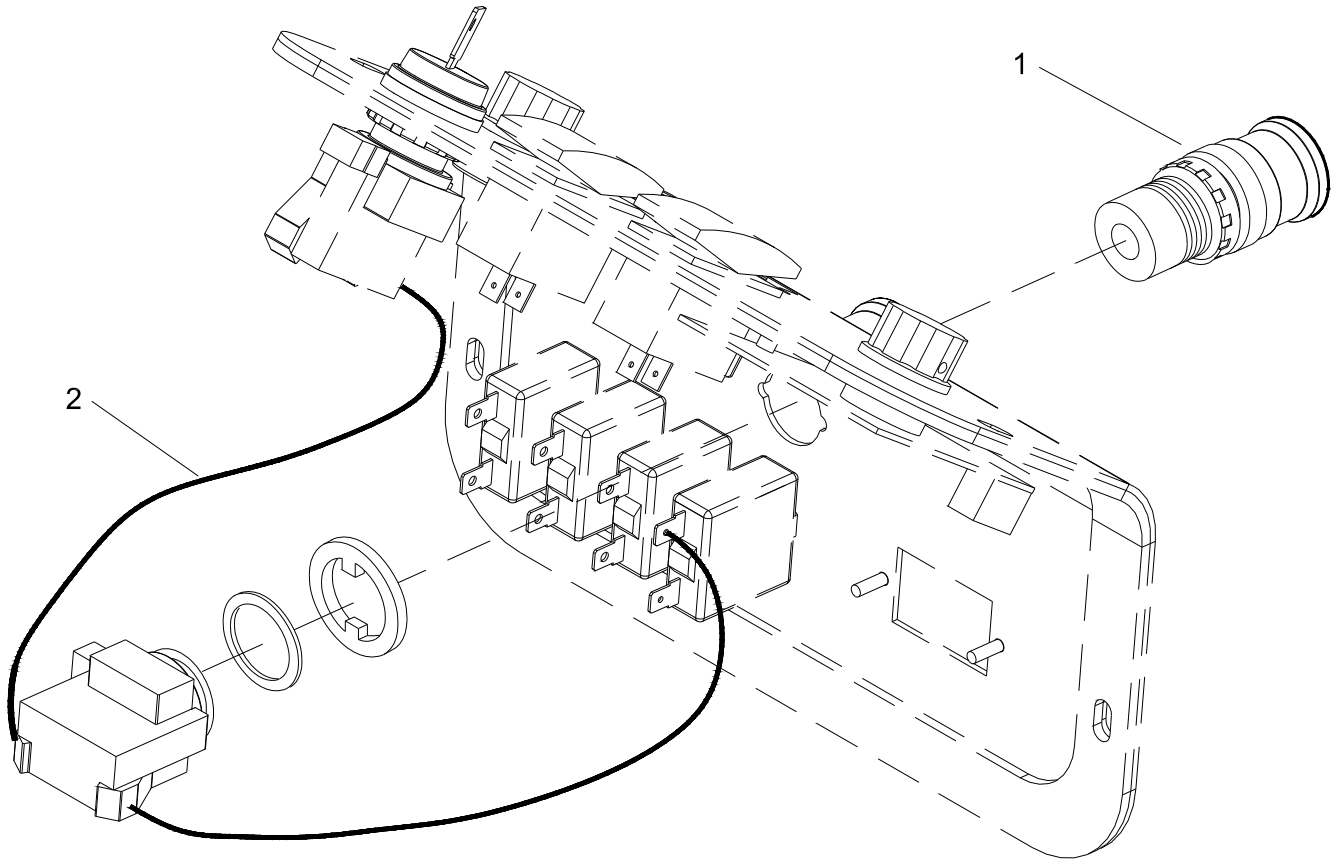




REF	PART NO.	QTY	DESCRIPTION	SERIAL NO. FROM	NOTES:
1	86238930	1	HARNESS, SC20T MAIN		
2	86261210	2	DIODE ASM, 76008 X 76008		NOT SHOWN
3	86003410	1	DIODE ASM, 76075 X 76065		NOT SHOWN

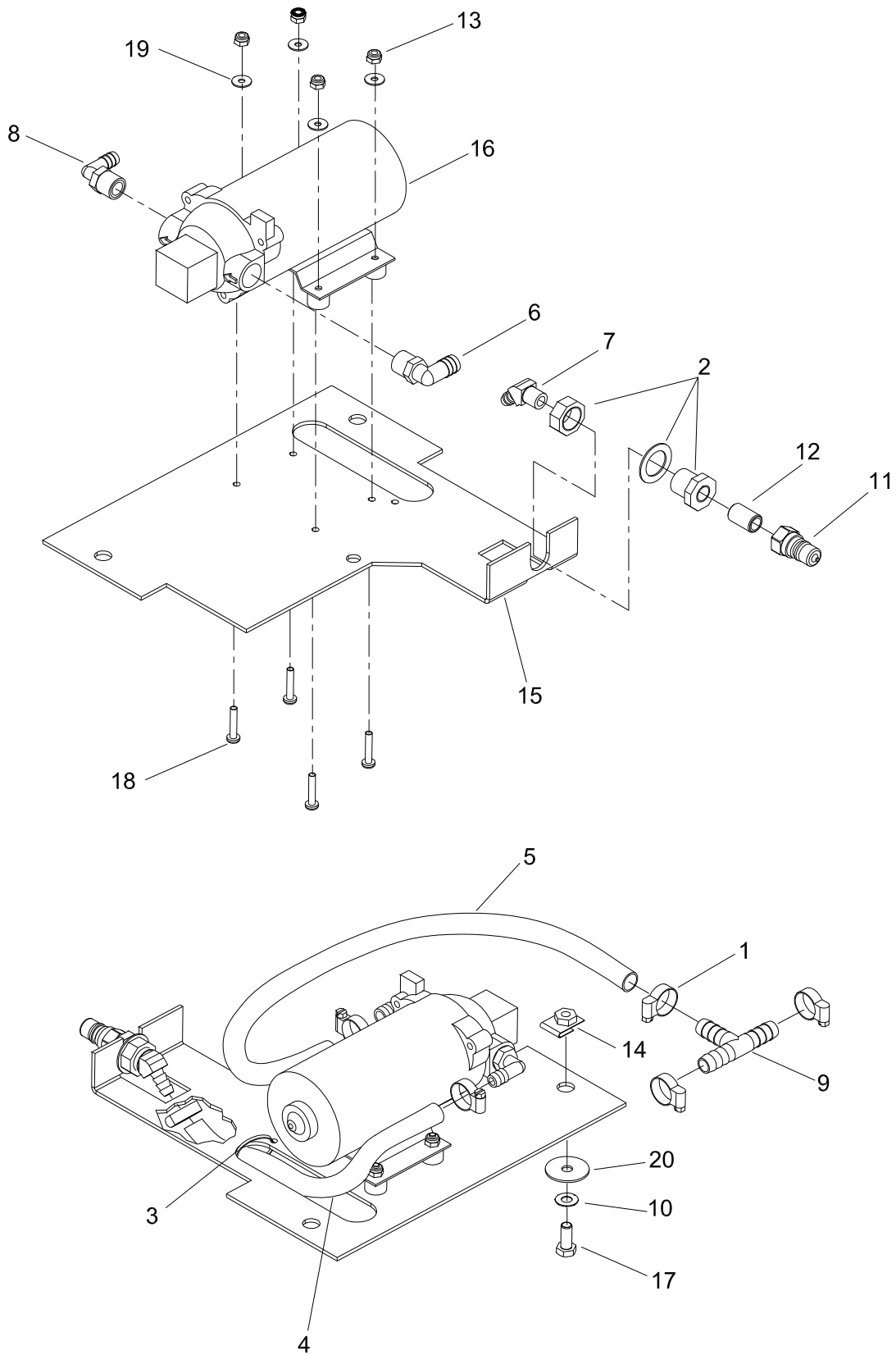


# OPTIONS



<b>REF</b>	<b>PART NO.</b>	<b>QTY</b>	<b>DESCRIPTION</b>	<b>SERIAL NO. FROM</b>	<b>NOTES:</b>
1	86007180	1	SWITCH, EMERGENCY STOP		
2	86269300	1	WIRE, 16" RED/18 STRIP X STRIP		

# Accessory Pump



REF	PART NO.	QTY	DESCRIPTION	SERIAL NO. FROM	NOTES:
1	86233150	6	CLAMP, 3/8 HOSE (D-SLOT)		
2	86002470	1	COUPLING, 1/4 ANCHOR W/1" HEX		
3	86264920	1	CABLE TIE, 7" UL/CSA		
4	86281770	1	HOSE, 3/8" NYLOBRAID X 15"		
5	86282720	1	HOSE, 1/2 NYLOBRAID X 20"		
6	86197940	1	HOSEBARB, 3/8MPTX1/2 90D DL		
7	86197620	1	HOSEBARB, 1/4MPT X 3/8 45D DL		
8	86001550	1	HOSEBARB, 3/8MPT X3/8 90D		
9	86240410	1	HOSEBARB, 1/2 TEE		
10	86279130	3	WASHER, 5/16 SPLIT LOCK PLTD		
11	86005580	1	NIPPLE, 1/4 FPT QD		
12	86005590	1	NIPPLE, 1/4 CLOSE		
13	86005640	4	NUT, 10-32 HEX NYLOCK		
14	86271820	3	NUT, 5/16-18 CAPTIVE "J" PLTD		
15	86081860	1	PLATE, PUMP MOUNT		
16	86026370	1	PUMP ASM, 24V ACCESSORY		
17	86006760	3	SCR, 5/16-18 X 3/4HHCSGR5PLTDL		
18	86006830	4	SCR, 10-32 X 1.0 PPHMS		
19	86010650	4	WASHER, #10 X 9/16 OD		
20	86010670	3	WASHER, 5/16 FLAT SS		
-	86238940	1	HARNESS, PUMP		NOT SHOWN

*Serial Number*

---

REF. NO.	MODEL: SERIAL #
1	10052190000712, 10052200000780, 10052230000596, 10052240000279, 10052370000375, 10052420000184

