



Electronic Service Manuals

This electronic document is provided as a service to our customers. We do not create the contents of the information contained in this document. Should you have detailed questions pertaining to the information contained in this document, you may contact Michco, or the manufacturer which provided the original information in this electronic deliverable. Michco's only part in this electronic deliverable was the electronic assembly process. By providing this manual online we are not guaranteeing parts availability.

You may contact Michco through the following methods:

Phone (517) 484-9312

2011 N. High St. -- Lansing, Michigan -- 48906

Fax: (517) 484-9836

Email: CustomerService@Michco.com

Website: www.Michco.Com

Order Parts online at:

www.Michco.Com

Directly to Parts & Service:

By Email: **CustomerService@Michco.com**

By Fax: (517) 484-9836

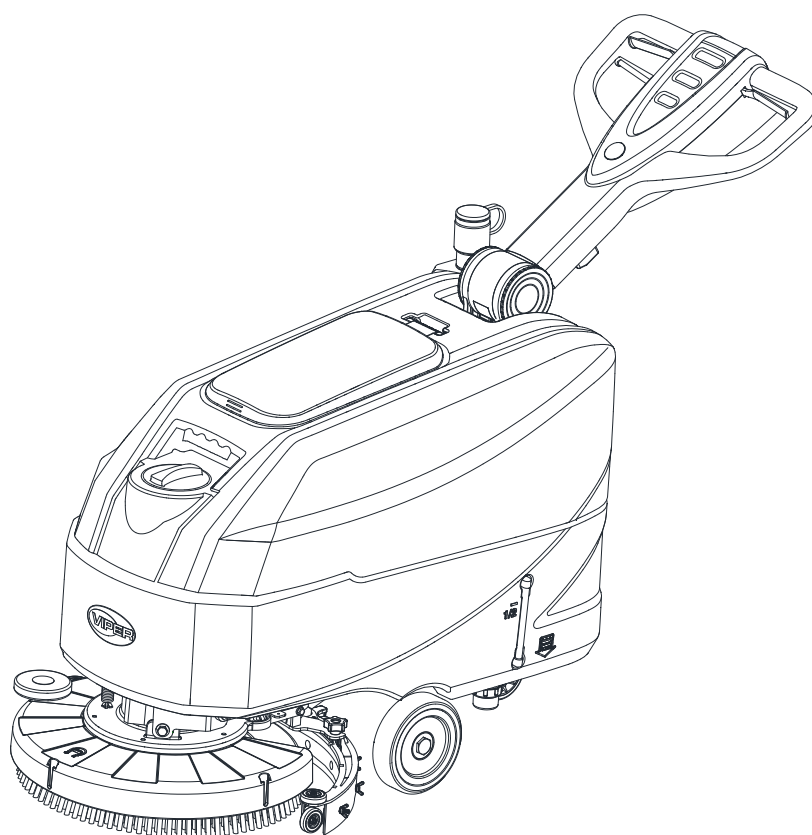
By Voice: (517) 484-9312

Serving the Cleaning Industry Since 1922

Notice: All copyrighted material remains property of original owners, all trademarks are property of respective owners. Manuals are subject to Manufacturer's reproduction limitations. Originals or reproductions were provided by manufacturers through a request. We make no warranty as to the correctness of information provided in this document and you assume all risk. By placing these manuals on line we are not declaring our corporation to be an manufacturer authorized dealer or provider, please check our web site for authorized manufacturers we represent.

AS4325B

PARTS LIST



Model No.: 50000580/50000588

Rev. C 23.Apr. 2020



PARTS LIST

TABLE OF CONTENTS

| | |
|--|----|
| GENERAL VIEW..... | 2 |
| AS4325B HANDLE ASSEMBLY..... | 4 |
| AS4325B RECOVERY TANK ASSEMBLY..... | 7 |
| AS4325B SOLUTION TANK ASSEMBLY..... | 9 |
| AS4325B CHASSIS ASSEMBLY | 13 |
| AS4325B & AS4335C SQUEEGEE ASSEMBLY..... | 16 |
| AS4325B BRUSH ASSEMBLY..... | 18 |
| AS4325B WEAR AND TEAR PARTS | 22 |
| AS4325B WIRING DIAGRAM | 23 |

WHEN ORDERING PARTS

- *Use the part numbers from the "Part. No." columns in this parts list.
- *Specify the model and serial number of the machine.
- *Use the space below to record the model and serial number for future reference.

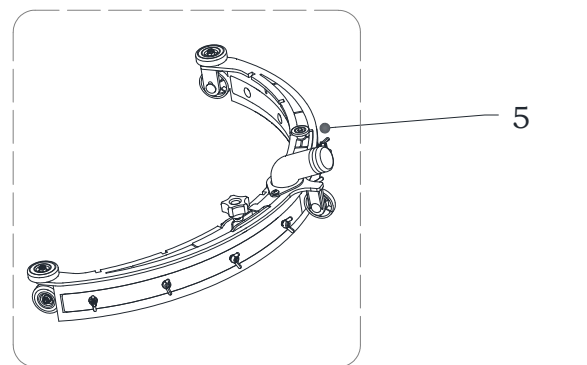
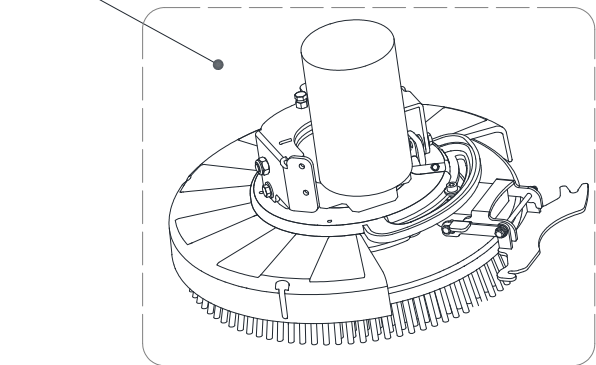
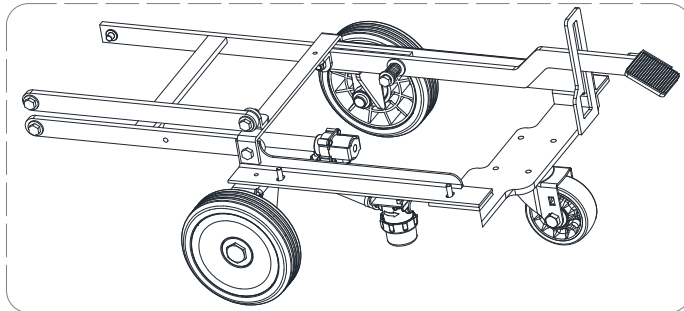
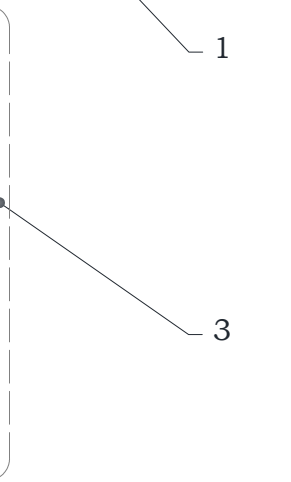
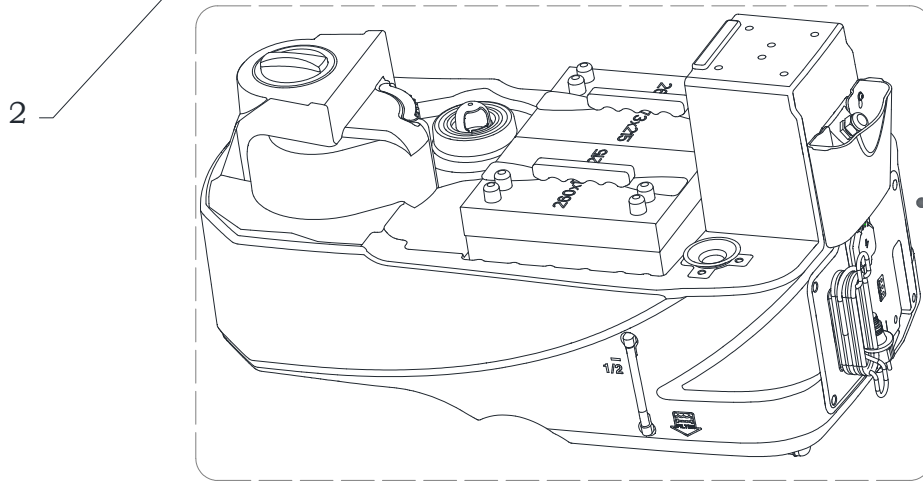
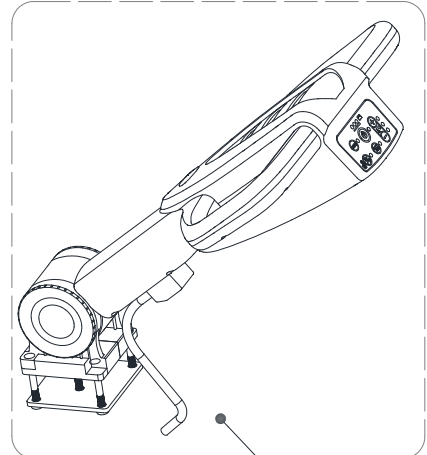
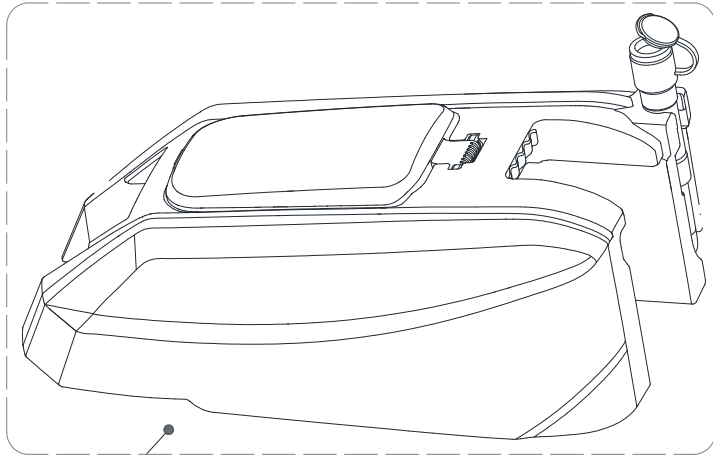
Model

Serial No.

- * = Optional
- # = Modified item No. or New Item No.
- [] = Not shown

PARTS LIST

AS4325B GENERAL VIEW



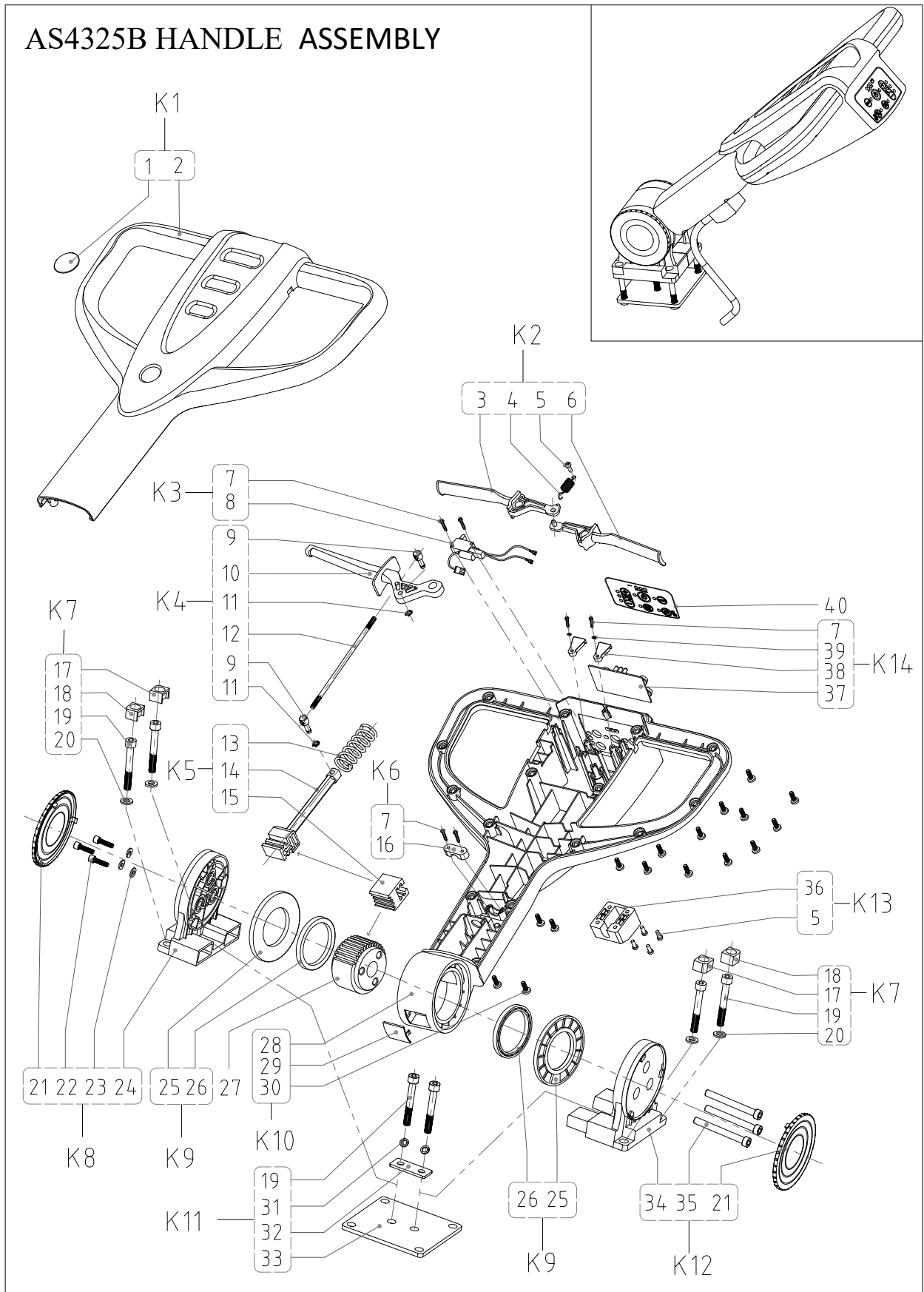
PARTS LIST

GENERAL VIEW

| Item | Description | Qty |
|------|-------------------------------------|-----|
| 1 | AS4325B HANDLE ASSEMBLY | 1 |
| 2 | AS4325B RECOVERY TANK ASSEMBLY | 1 |
| 3 | AS4325B SOLUTION TANK ASSEMBLY | 1 |
| 4 | AS4325B CHASSIS ASSEMBLY | 1 |
| 5 | AS4325B & AS4335C SQUEEGEE ASSEMBLY | 1 |
| 6 | AS4325B BRUSH ASSEMBLY | 1 |

PARTS LIST

AS4325B HANDLE ASSEMBLY



PARTS LIST

AS4325B HANDLE ASSEMBLY

| Kit | Item | Part No. | Description | Qty |
|-----------|------|----------|---------------------------------|-----|
| K1 | 1 | | STICKER DROP GLUE | 1 |
| K1 | 2 | VS15137 | FRONT COVER HANDLE | 1 |
| K2 | 3 | VS15132 | RIGHT LEVER BRUSH SWITCH | 1 |
| K2 | 4 | | SPRING | 1 |
| K2/K13 | 5 | | SCREW ST4X10MM | 5 |
| K2 | 6 | VS15131 | LEFT LEVER BRUSH SWITCH | 1 |
| K3/K6/K14 | 7 | | SCREW ST3X16MM | 6 |
| K3 | 8 | VV81432 | MICRO SWITCH | 1 |
| K4 | 9 | | FIXING END OF PULLING ROD | 2 |
| K4 | 10 | VS15133 | ADJUST LEVER HANDLE | 1 |
| K4 | 11 | | LOCKWASHER | 2 |
| K4 | 12 | | PULLING ROD | 1 |
| K5 | 13 | | SPRING COMPRESSION | 1 |
| K5 | 14 | VS15135 | CONNECTION ROD | 1 |
| K5 | 15 | VS15193 | RACK | 1 |
| K6 | 16 | | CLAMP | 1 |
| K7 | 17 | | RUBBER SLEEVE SCREW ROD EDGE | 2 |
| K7 | 18 | | RUBBER SLEEVE SCREW ROD | 2 |
| K7/K11 | 19 | | SCREW ROD M8 | 6 |
| K7 | 20 | | WASHER OD15.7XID8.5XT1.5MM | 4 |
| K8/K12 | 21 | VS15142 | DECORATION COVER HANDLE | 2 |
| K8 | 22 | | SCREW M5X20MM | 3 |
| K8 | 23 | | WASHER ID5XOD12XT1MM | 3 |
| K8 | 24 | VS15144 | RIGHT FIXING BASE HANDLE | 1 |
| K9 | 25 | | ANTI ABRATION CIRCLE | 2 |
| K9 | 26 | | INNER FIXING CIRCLE OF GEAR | 2 |
| | 27 | VS15192 | GEAR | 1 |
| K10 | 28 | VS15136 | REAR COVER HANDLE | 1 |
| K10 | 29 | VS15141 | SEALING COVER HANDLE | 1 |
| K10 | 30 | | SCREW PB5X14MM | 16 |
| K11 | 31 | | WASHER Ø8MM | 2 |
| K11 | 32 | | CONNECTION PLATE OF FIXING BASE | 1 |
| K11 | 33 | | FIXING PLATE OF FIXING BASE | 1 |

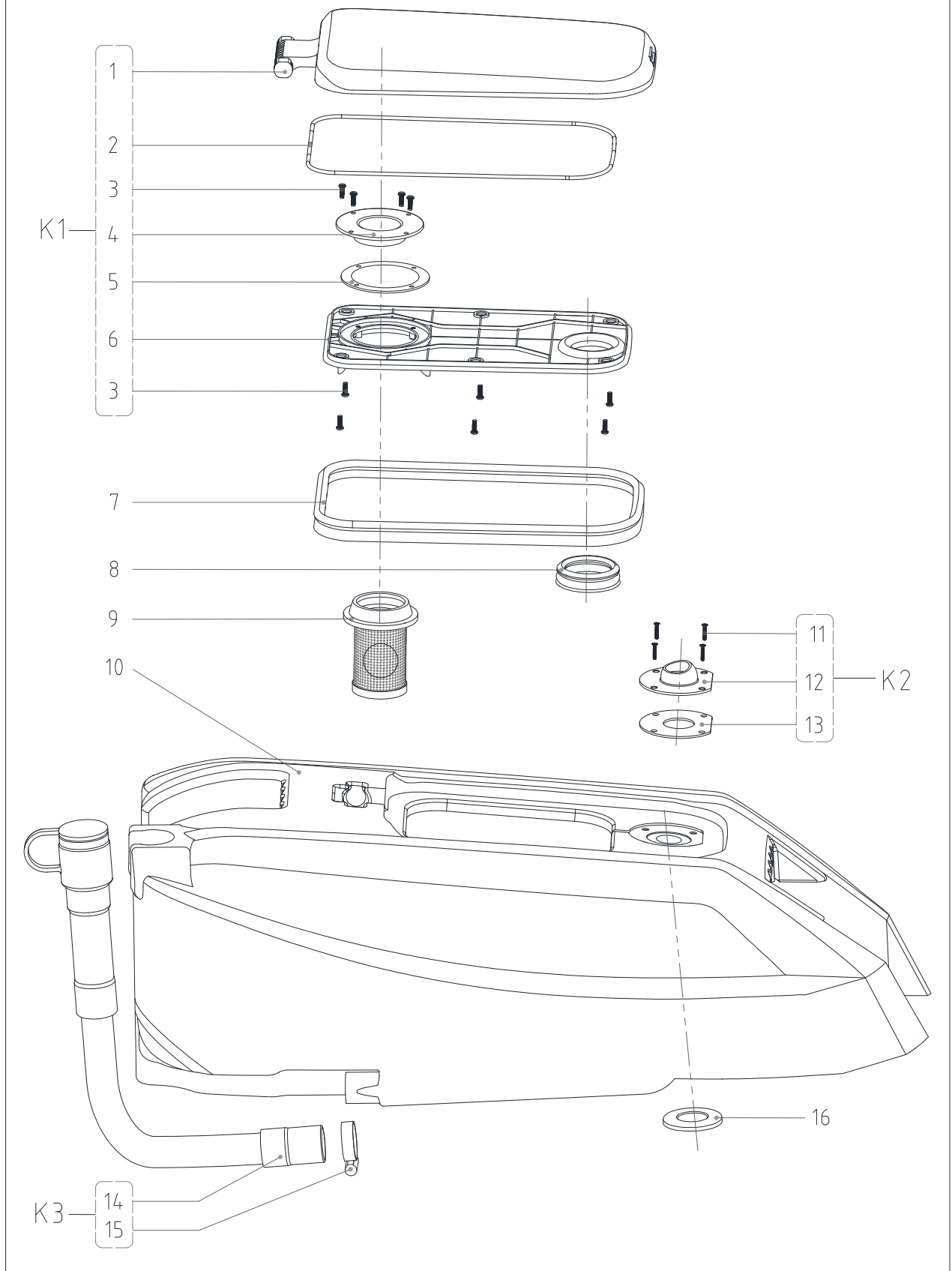
PARTS LIST

AS4325B HANDLE ASSEMBLY

| Kit | Item | Part No. | Description | Qty |
|-----|------|----------|-------------------------------------|-----|
| K12 | 34 | VS15143 | LEFT FIXING BASE HANDLE | 1 |
| K12 | 35 | | FIXING SCREW ROD OF GEAR | 3 |
| K13 | 36 | | CABLE FIXING BRACKET | 1 |
| K14 | 37 | VS15025 | DASH BOARD 24V AGM | 1 |
| K14 | 38 | | PCB FIXING PLATE | 2 |
| K14 | 39 | | WASHER | 2 |
| | 40 | VS15216 | DECAL CONTROL PANEL BATTERY VERSION | 1 |
| | K1 | VS15383 | FRONT COVER HANDLE KIT | 1 |
| | K2 | VS15384 | LEVER BRUSH SWITCH KIT | 1 |
| | K3 | VV81063 | MICRO SWITCH KIT | 1 |
| | K4 | VS15385 | ADJUST LEVER HANDLE KIT | 1 |
| | K5 | VS15386 | CONNECTION ROD KIT | 1 |
| | K6 | VA21517A | CLAMP KIT | 1 |
| | K7 | VS15387 | RUBBER SLEEVE SCREW ROD KIT | 2 |
| | K8 | VS15388 | RIGHT FIXING BASE KIT | 1 |
| | K9 | VS15389 | INNER FIXING CIRCLE OF GEAR KIT | 2 |
| | K10 | VS15390 | REAR COVER HANDLE KIT | 1 |
| | K11 | VS15391 | FIXING PLATE OF FIXING BASE KIT | 1 |
| | K12 | VS15392 | LEFT FIXING BASE KIT | 1 |
| | K13 | VS15393 | CABLE FIXING BRACKET KIT | 1 |
| | K14 | VS15394 | DASH BOARD 24V AGM KIT | 1 |

PARTS LIST

AS4325B RECOVERY TANK ASSEMBLY



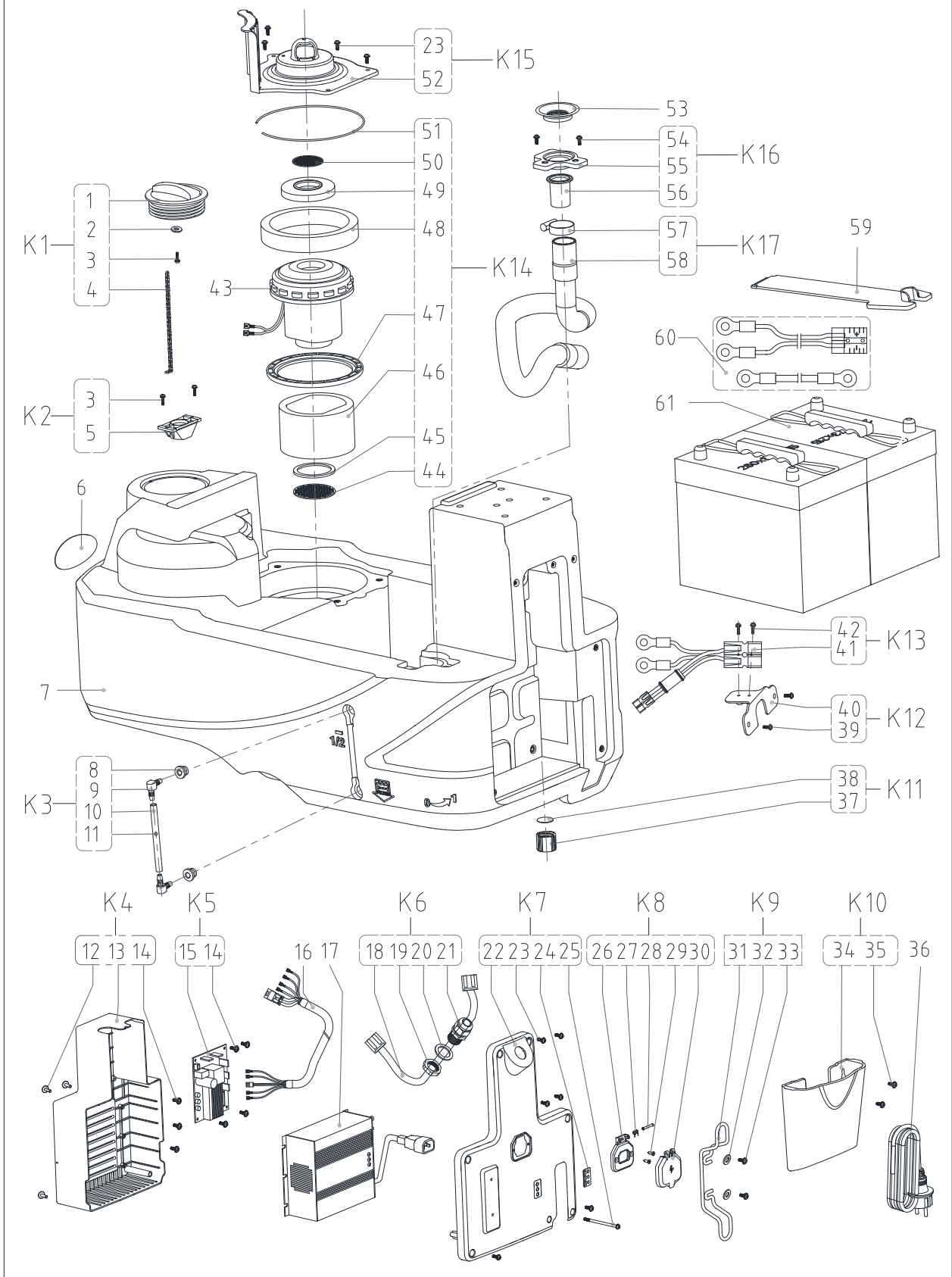
PARTS LIST

AS4325B RECOVERY TANK ASSEMBLY

| Kit | Item | Part No. | Description | Qty |
|-----|------|----------|---|-----|
| K1 | 1 | | RECOVERY TANK LID | 1 |
| K1 | 2 | | INNER GASKET OF RECOVERY TANK LID | 1 |
| K1 | 3 | | SCREW ST4X12MM | 10 |
| K1 | 4 | | FLOAT CUP ADAPTOR | 1 |
| K1 | 5 | | RUBBER GASKET OF ADAPTOR | 1 |
| K1 | 6 | | BOTTOM BASE OF RECOVERY TANK LID | 1 |
| | 7 | VS15225 | GASKET OF RECOVERY TANK LID | 1 |
| | 8 | VS15226 | SUCTION PORT ROUND GASKET | 1 |
| | 9 | VS15323 | VACUUM GRID WITH AUTOMATIC SHUT-OFF FLOAT | 1 |
| | 10 | VS15341 | RECOVERY TANK 25L DARK GREY | 1 |
| K2 | 11 | | SCREW M4X12MM | 4 |
| K2 | 12 | | SUCTION PORT | 1 |
| K2 | 13 | | SUCTION PORT GASKET | 1 |
| K3 | 14 | | DRAIN HOSE | 1 |
| K3 | 15 | VS15271 | CLAMP21-38MM,SUS304 | 1 |
| | 16 | VS15320 | HIGH ELASTIC GASKET, OD101XID65X8MM,CR30 | 1 |
| | K1 | VS15398 | RECOVERY TANK LID ASSEMBL | 1 |
| | K2 | VS15399 | SUCTION PORT KIT | 1 |
| | K3 | VS15400 | DRAIN HOSE KIT | 1 |

PARTS LIST

AS4325B SOLUTION TANK ASSEMBLY



PARTS LIST

AS4325B SOLUTION TANK ASSEMBLY

| Kit | Item | Part No. | Description | Qty |
|-----------|------|-----------------|------------------------------|----------|
| K1 | 1 | VF80304-010 | SOLUTION COVER | 1 |
| K1 | 2 | | WASHER4X12X1MM | 1 |
| K1/K2 | 3 | | SCREW TA3.5X12MM | 3 |
| K1 | 4 | | ZIPPER | 1 |
| K2 | 5 | | INLET PIPE FRAME | 1 |
| | 6 | VS15231 | LOGO LABEL | 1 |
| | 7 | VS15148 | SOLUTION TANK 25L DARK GREY | 1 |
| K3 | 8 | | JOINTS GASKET | 2 |
| K3 | 9 | | ELBOW, 90° | 2 |
| K3 | 10 | | HOSE FRESH WATER LEVEL | 1 |
| K3 | 11 | | FLOATING BALL OF WATER LEVEL | 1 |
| K4 | 12 | | SCREW PB4.0X12MM | 3 |
| K4 | 13 | | MOUNTING BASE OF CHARGER | 1 |
| K4/K5 | 14 | | SCREW PB4.0X10MM | 9 |
| K5 | 15 | VS15026 | CONTROLLER MAIN MACHINE | 1 |
| | 16 | VS15012 | CONNETION WIRE ASSEMBLY | 1 |
| | 17 | VS15018 | CHARGER 10A | 1 |
| K6 | 18 | | COMMUNICATION CABLE | 1 |
| K6 | 19 | | CABLE STRAIN RELIEF NUT | 1 |
| K6 | 20 | | GASKET | 1 |
| K6 | 21 | | CABLE STRAIN RELIEF | 1 |
| K7 | 22 | | CHARGE REAR COVER | 1 |
| K7/ K15 | 23 | | SCREW PWM4.0X12MM | 10 |
| K7 | 24 | #VS15459 | CHARGING DISPLAY LABEL | 1 |
| K7 | 25 | | SCREW M4X70MM | 1 |
| K8 | 26 | | CHARGER SOCKET FIX | 1 |
| K8 | 27 | | SPRING | 1 |
| K8 | 28 | | PIN | 1 |
| K8 | 29 | | SCREW ST4.0X16MM | 2 |
| K8 | 30 | | CHARGER SOCKET COVER | 1 |
| K9 | 31 | | CABLE SUPPORT | 1 |
| K9 | 32 | | WASHER ID4.0XOD12X1MM | 2 |
| K9 | 33 | | SCREW ST4.0X16MM | 2 |
| K10* | 34 | | BACK ACCESSORY BOX | 1 |

PARTS LIST

AS4325B SOLUTION TANK ASSEMBLY

| Kit | Item | Part No. | Description | Qty |
|------|------|----------|---------------------------------|-----|
| K10* | 35 | | SCREW WITH WASHER | 2 |
| | 36 | VF89724 | BATTERY CHARGING CABLE US | 1 |
| K11 | 37 | | SOLUTION OUTLET COVER | 1 |
| K11 | 38 | | GASKET | 1 |
| K12 | 39 | | SCREW M4.0X12MM | 2 |
| K12 | 40 | | BRACKET CHARGER PLUG | 1 |
| K13 | 41 | | HARNESS 24V INPUT | 1 |
| K13 | 42 | | SCREW ST3X16MM | 2 |
| | 43 | VS15003 | VACUUM MOTOR 24V 350W | 1 |
| K14 | 44 | | INTLET AIR FILTER GRIM | 1 |
| K14 | 45 | | INTLET AIR GASKET | 1 |
| K14 | 46 | | BOTTOM ACOUSTIC INSULATION PIPE | 1 |
| K14 | 47 | | MIDDLE GASKET | 1 |
| K14 | 48 | | UP ACOUSTIC INSULATION PIPE | 1 |
| K14 | 49 | | TOP GASKET MOTOR | 1 |
| K14 | 50 | | UP INLET AIR FILTER FRIM | 1 |
| K14 | 51 | | EVA GASKET | 1 |
| K15 | 52 | | VACUUM MOTOR COVER | 1 |
| | 53 | VS15240 | DRAIN HOSE HORN GASKET | 1 |
| K16 | 54 | | SCREW PM4.0X12MM | 2 |
| K16 | 55 | | BRACKET SUCTION HOSE | 1 |
| K16 | 56 | | CONNECTOR SOCKET SUCTION HOSE | 1 |
| K17 | 57 | VS15271 | CLAMP21-38MM,SUS304 | 1 |
| K17 | 58 | | SUCTION HOSE | 1 |
| | 59 | VS15248 | CABLE COVER PLATE | 1 |
| | 60 | VS15009 | BATTERY CONNECTIONS | 1 |
| | 61 | VF90223 | BATTERIES | 2 |
| | K1 | VS15401 | SOLUTION COVER KIT | 1 |
| | K2 | VS15402 | INLET PIPE FRAME KIT | 1 |

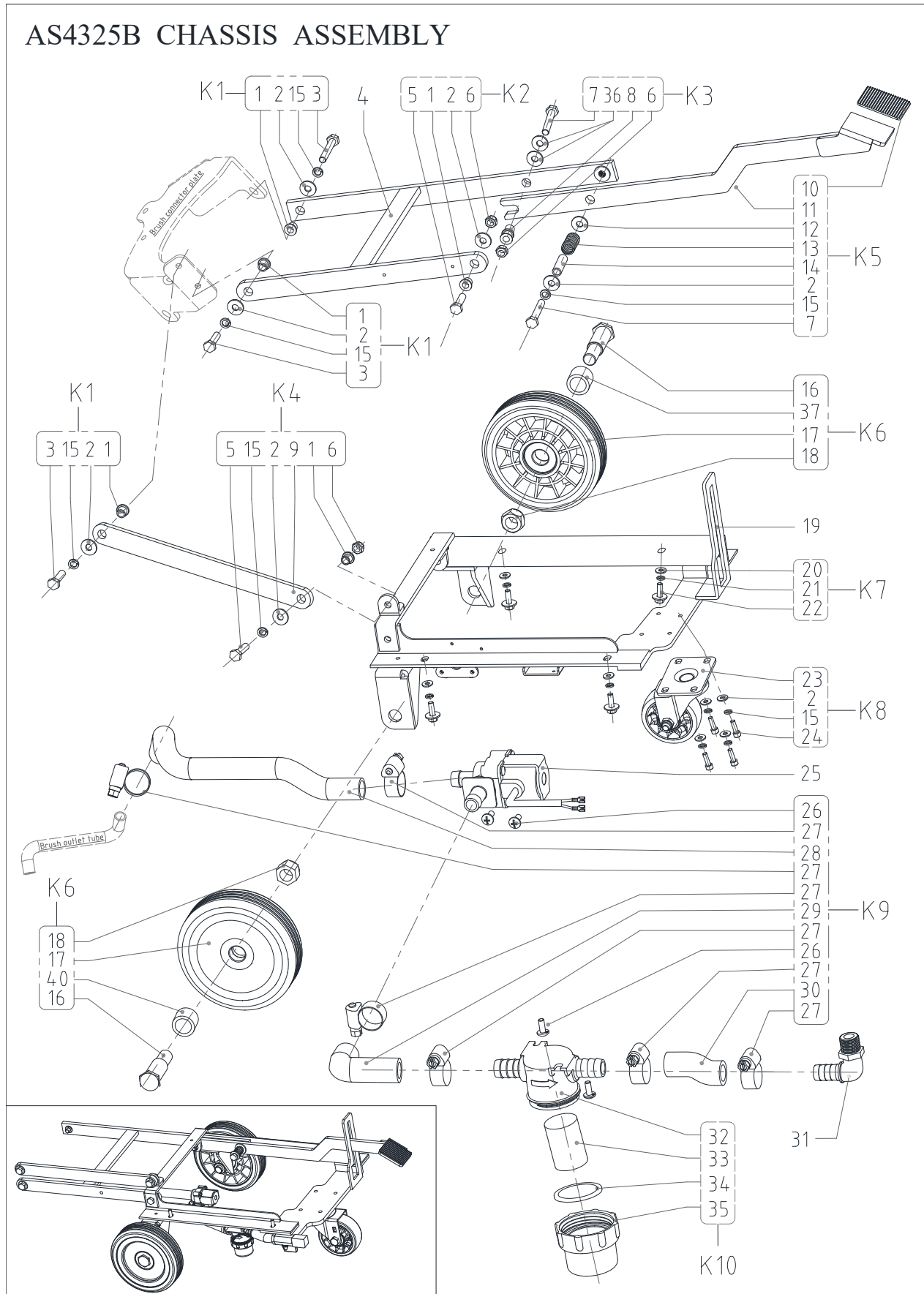
PARTS LIST

AS4325B SOLUTION TANK ASSEMBLY

| Kit | Item | Part No. | Description | Qty |
|-----|------|----------|------------------------------|-----|
| | K3 | VS15403 | HOSE FRESH WATER LEVEL KIT | 1 |
| | K4 | VS15404 | MOUNTING BASE OF CHARGER KIT | 1 |
| | K5 | VS15405 | CONTROLLER MAIN MACHINE KIT | 1 |
| | K6 | VS15406 | MAIN CONNECTION CABLE KIT | 1 |
| | K7 | VS15407 | CHARGE REAR COVER KIT | 1 |
| | K8 | VS10126 | CHARGER SOCKET KIT | 1 |
| | K9 | VS15408 | CABLE SUPPORT KIT | 1 |
| | K10* | VS15409 | BACK ACCESSORY BOX KIT | 1 |
| | K11 | VF89110A | SOLUTION OUTLET COVER KIT | 1 |
| | K12 | VS15410 | BRACKET CHARGER PLUG KIT | 1 |
| | K13 | VS15411 | HARNESS 24V INPUT KIT | 1 |
| | K14 | VS15412 | GASKET VACUUM MOTOR KIT | 1 |
| | K15 | VS15413 | VACUUM MOTOR COVER KIT | 1 |
| | K16 | VS15414 | BRACKET SUCTION HOSE KIT | 1 |
| | K17 | VS15415 | SUCTION HOSE KIT | 1 |

PARTS LIST

AS4325B CHASSIS ASSEMBLY



PARTS LIST

AS4325B CHASSIS ASSEMBLY

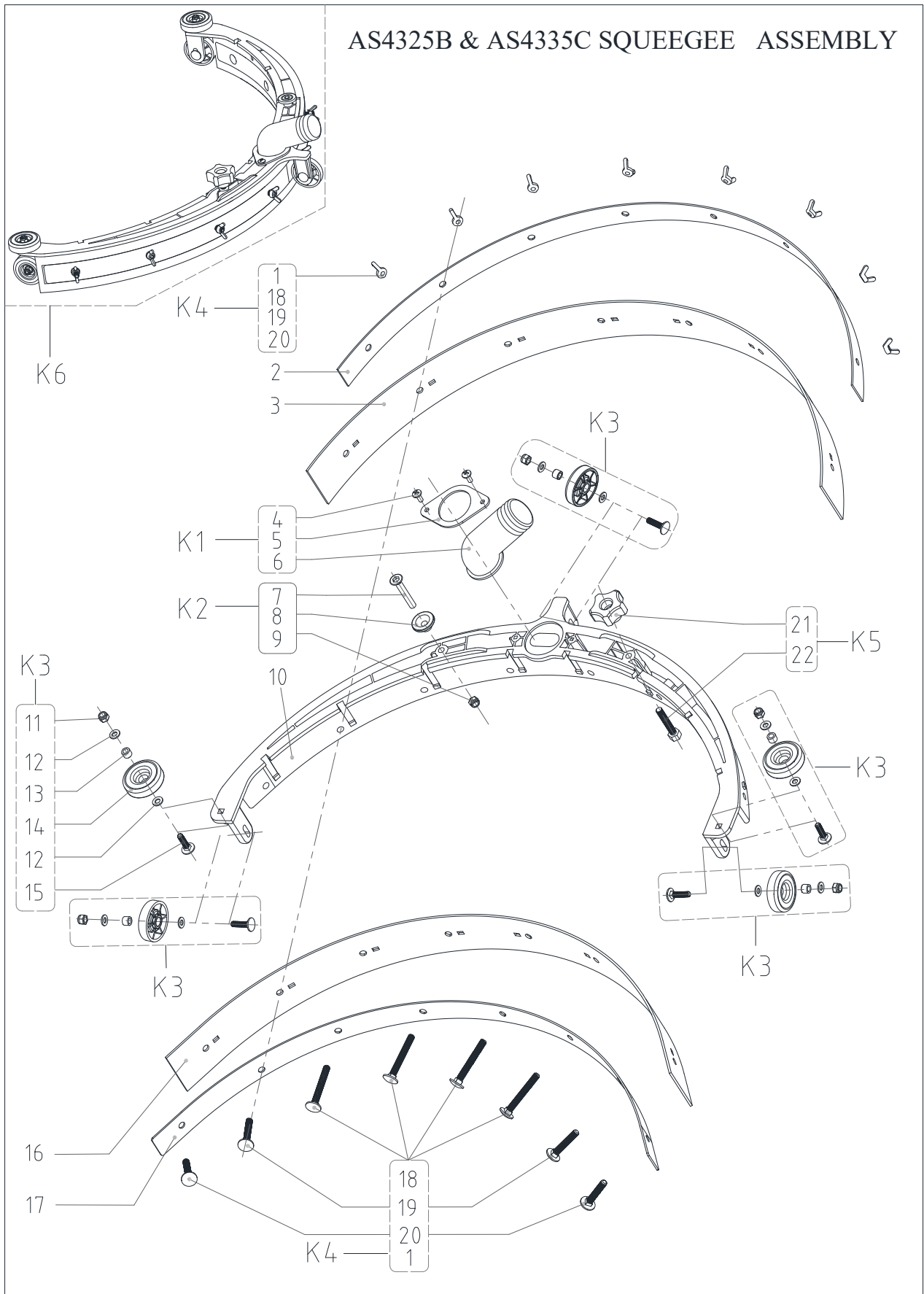
| Kit | Item | Part No. | Description | Qty |
|--------------------|------|----------|---------------------------------------|-----|
| K1/K2/K4 | 1 | | BUSHING | 5 |
| K1/K2/ K4/K5/K8 | 2 | | WASHER | 10 |
| K1 | 3 | | SCREW M8X25MM | 3 |
| | 4 | VS15101 | BRUSH LIFTING SUPPORT | 1 |
| K2/K4 | 5 | | SCREW M8X30MM | 2 |
| K2/K3/K4 | 6 | | NUT M8 | 3 |
| K3/K5 | 7 | | SCREW M8x50MM | 2 |
| K3 | 8 | | STEPS BUSHING | 1 |
| K4 | 9 | VS15102 | FRONT PEDAL BRUSH LIFTING | 1 |
| K5 | 10 | VS10613 | PEDAL LEVER GASKET | 1 |
| K5 | 11 | VS15103 | BACK PEDAL BRUSH AND SQUEEGEE LIFTING | 1 |
| K5 | 12 | | WASHER Ø12X Ø24X2MM | 1 |
| K5 | 13 | | RESET SPRING | 1 |
| K5 | 14 | | BUSHING | 1 |
| K1/K4/K5/K8 | 15 | | WASHER DIAMETER 8MM | 9 |
| K6 | 16 | | WHEEL SHAFT | 2 |
| K6 | 17 | VS15430 | WHEEL 6 INCH | 2 |
| K6 | 18 | | NUT M16 | 2 |
| | 19 | VS15100 | CHASSIS | 1 |
| K7 | 20 | | SPRING WASHER | 4 |
| K7 | 21 | | WASHER DIAMETER 6MM | 4 |
| K7 | 22 | | SCREW M6X25MM | 4 |
| K8 | 23 | VS15327 | 3.5 INCH CASTER | 1 |
| K8 | 24 | | SCREW M8X20MM | 4 |
| | 25 | VS15021 | 24V DC SOLENOID VALVE | 1 |
| K9 | 26 | | SCREW M4X10MM | 4 |
| K9 | 27 | VV10114 | CLAMP 3/8" | 6 |
| K9 | 28 | | HOSE Ø 20MM L400mm | 1 |
| K9 | 29 | | HOSE WITH SPRING L130mm | 1 |
| K9 | 30 | | OULET HOSE Ø20MM | 1 |
| | 31 | VF81403P | ELBOW 90 PLASTIC | 1 |
| K10 | 32 | | FILTER BASE | 1 |
| K10 | 33 | VF90608 | FILTER NET | 1 |
| K10 | 34 | VF90607 | O-RING | 1 |

PARTS LIST

AS4325B CHASSIS ASSEMBLY

| Kit | Item | Part No. | Description | Qty |
|-----|------|----------|-------------------------------------|-----|
| K10 | 35 | VF90603 | FILTER COVER | 1 |
| K2 | 36 | | PA WASHER | 2 |
| K6 | 37 | | BUSHING1 | 2 |
| | K1 | VS15422 | SCREW KIT 1 | 3 |
| | K2 | VS15423 | SCREW KIT 2 | 1 |
| | K3 | VS15424 | FORNT PEDAL BRUSH LIFTING SCREW KIT | 1 |
| | K4 | VS15425 | SCREW KIT 3 | 1 |
| | K5 | VS15426 | BACK PEDAL BRUSH LIFTING KIT | 1 |
| | K6 | VS15427 | WHEEL 6 INCH KIT | 2 |
| | K7 | VS15428 | SCREW KIT 4 | 1 |
| | K8 | VS15429 | 3.5 INCH CASTER KIT | 1 |
| | K9 | VS15433 | SOLUTION HOSE KIT | 1 |
| | K10 | VF90621 | FILTER KIT | 1 |

PARTS LIST



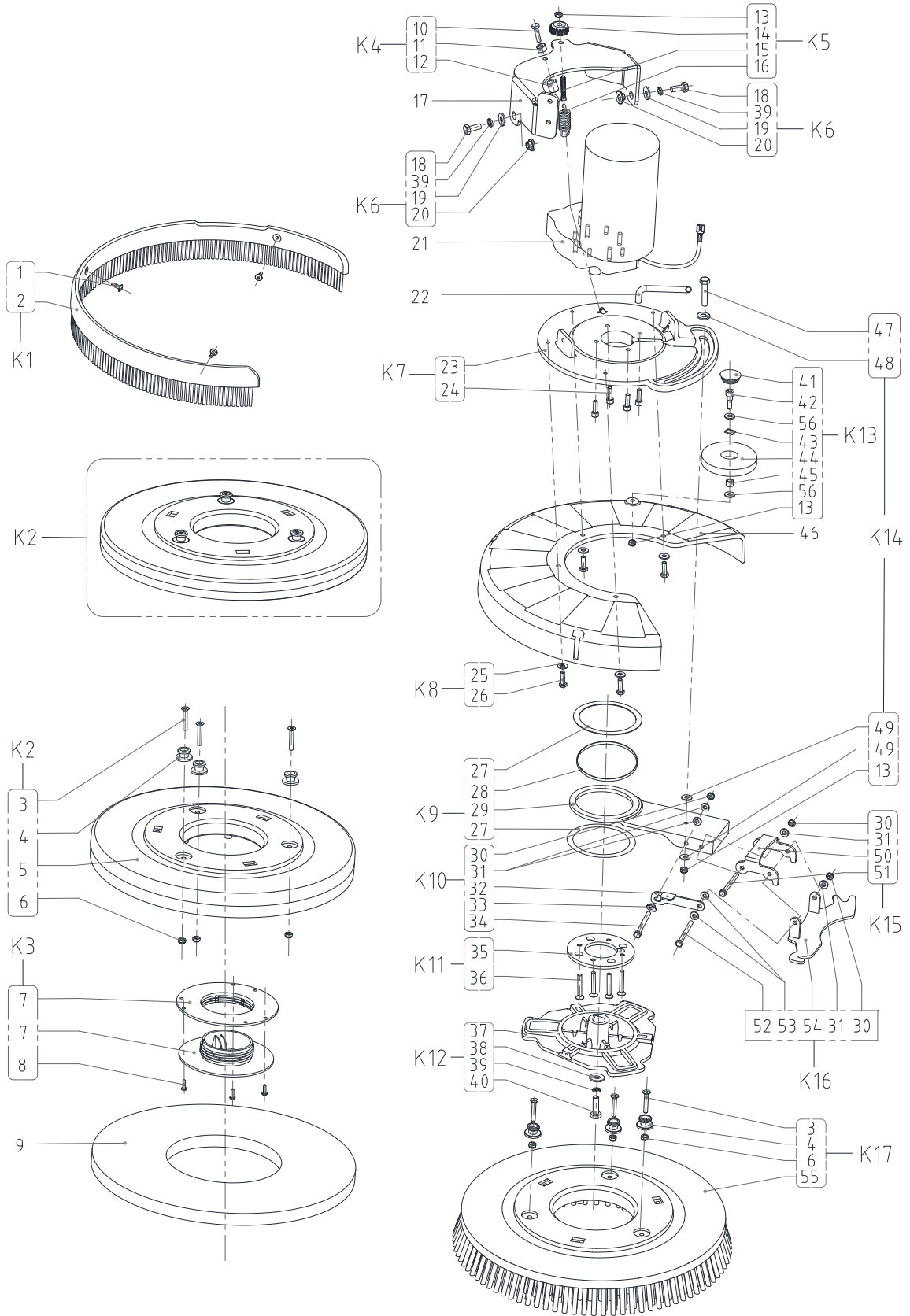
PARTS LIST

AS4325B & AS4335C SQUEEGEE ASSEMBLY

| Kit | Item | Part No. | Description | Qty |
|-----|------|----------|----------------------------|-----|
| K4 | 1 | VS15267 | WING NUT M5 | 8 |
| | 2 | VS15109 | SQUEEGEE REAR STRAP | 1 |
| | 3a | VS15204 | BLADE REAR NATURAL RUBBER | 1 |
| | 3b* | VS15205 | BLADE REAR PU | 1 |
| K1 | 4 | | SCREW TM4X12MM | 2 |
| K1 | 5 | | RETAINER | 1 |
| K1 | 6 | VS15160 | BEND CONNECTOR | 1 |
| K2 | 7 | | SCREW M6X40MM | 1 |
| K2 | 8 | | STUD | 1 |
| | 9 | | NUT M6 | 1 |
| | 10 | VS15252 | SQUEEGEE TOOL | 1 |
| K3 | 11 | | NUT M5 | 5 |
| K3 | 12 | | WASHER OD14.7XID5.5XT1.2MM | 10 |
| K3 | 13 | | SPACER | 5 |
| K3 | 14 | VS15158 | SQUEEGEE WHEEL | 5 |
| K3 | 15 | | SCREW M5X20MM | 5 |
| | 16a | VS15201 | BLADE FRONT NATURAL RUBBER | 1 |
| | 16b* | VS15202 | BLADE FRONT PU | 1 |
| | 17 | VS15108 | SQUEEGEE FRONT STRAP | 1 |
| K4 | 18 | | SCREW M5X40MM | 4 |
| K4 | 19 | | SCREW M5X30MM | 2 |
| K4 | 20 | | SCREW M5X25MM | 2 |
| K5 | 21 | VS15159 | SQUEEGEE KNOB | 1 |
| K5 | 22 | | SCREW M6X40MM | 1 |
| | K1 | VS15434 | BEND CONNECTOR KIT | 1 |
| | K2 | VS15435 | STUD KIT | 1 |
| | K3 | VS15436 | SQUEEGEE WHEEL KIT | 5 |
| | K4 | VS15437 | SQUEEGEE SCREW KIT | 1 |
| | K5 | VS15438 | SQUEEGEE KNOB KIT | 1 |
| | K6 | VS15373 | SQUEEGEE ASSEMBLY | 1 |

PARTS LIST

AS4325B BRUSH ASSEMBLY



PARTS LIST

AS4325B BRUSH ASSEMBLY

| Kit | Item | Part No. | Description | Qty |
|-------------|------|----------|--------------------------------|-----|
| K1 | 1 | | SCREW M4 | 3 |
| K1 | 2 | | SKIRT DECK | 1 |
| K2/K17 | 3 | | SCREW M6X40MM | 6 |
| K2/K17 | 4 | VS15332 | STUD | 6 |
| K2 | 5 | | PAD HOLDER 17 INCH | 1 |
| K2/K17 | 6 | | NUT M6 | 6 |
| K3* | 7* | VF99003A | RETAINER PAD | 1 |
| K3* | 8* | VA13477 | SCREW ST4X15MM | 3 |
| | 9* | | PAD 17 INCH | 1 |
| K4 | 10 | | SCREW M8X40MM | 1 |
| K4 | 11 | | NUT M8 | 1 |
| K4 | 12 | VF80241 | PLASTIC REGULATING FULCRUM | 1 |
| K5/K13/K14 | 13 | | NUT M6 | 3 |
| K5 | 14 | VP11007 | STRAIGHT MOVING ADJUSTING KNOB | 1 |
| K5 | 15 | | SCREW | 1 |
| K5 | 16 | | SPRING | 1 |
| | 17 | VS15104 | BRACKET BRUSH MOTOR | 1 |
| K6 | 18 | | SCREW M8X25MM | 2 |
| K6 | 19 | | WASHER ID8XOD20XT2MM | 2 |
| K6 | 20 | | SPACER | 2 |
| | 21 | VS15032 | BRUSH MOTOR 24V DC ASSEMBLY | 1 |
| | 22 | VS15111 | INLET TUBE | 1 |
| K7 | 23 | | MOTOR FIXING PLATE | 1 |
| K7 | 24 | | SCREW M6X20MM | 4 |
| K8 | 25 | | WASHER ID6XOD15XT1.5MM | 4 |
| K8 | 26 | | SCREW M6X20MM | 4 |
| K9 | 27 | VS15154 | WEAR RESISTANT WASHER | 2 |
| K9 | 28 | VS15329 | ROTATION CIRCLE | 1 |
| K9 | 29 | VS15155 | SQUEEGEE ROTATION ARM | 1 |
| K10/K15/K16 | 30 | | NUT M5 | 3 |
| K10/K15/K16 | 31 | | WASHER ID5XOD10XT1.0MM | 4 |
| K10 | 32 | VS15112 | LIFTING HANDLE FOR SQUEEGEE | 1 |
| K10 | 33 | | SPACER | 1 |

PARTS LIST

AS4325B BRUSH ASSEMBLY

| Kit | Item | Part No. | Description | Qty |
|--------|------|----------|---------------------------------|-----|
| K10 | 34 | | SCREW Ø 6XM5X104mm | 1 |
| K11 | 35 | | SQUEEGEE TRAY | 1 |
| K11 | 36 | | SCREW M6X16MM | 4 |
| K12 | 37 | VS15253 | HUB BRUSH GEAR MOTOR | 1 |
| K12 | 38 | | WASHER ID8.4XOD28XT2MM | 1 |
| K6/K12 | 39 | | WASHER DIAMETER 8mm | 3 |
| K12 | 40 | | SCREW M8X16MM | 1 |
| K13 | 41 | VF85128 | CAP. BLACK | 1 |
| K13 | 42 | | SCREW M6X25MM | 1 |
| K13 | 43 | | LOCKWASHER | 1 |
| K13 | 44 | | ROLLER BUMPER | 1 |
| K13 | 45 | | SPACER | 1 |
| | 46 | VS15156 | BRUSH DECK | 1 |
| K14 | 47 | | SCREW | 1 |
| K14 | 48 | | WASHER | 1 |
| K14 | 49 | | WASHER ID6XOD22X1.5MM | 2 |
| K15 | 50 | VS15105 | SQUEEGEE CONNECTION FRAME | 1 |
| K15 | 51 | | SCREW Ø 6XM5X96.5MM | 1 |
| K16 | 52 | | SCREW Ø 6XM5X114MM | 1 |
| K16 | 53 | | WASHER ID6XOD13X2MM | 2 |
| K16 | 54 | VS15106 | SQUEEGEE BRACKET | 1 |
| K17 | 55 | | BRUSH DISC PPL Ø0.7 BLACK 17IN | 1 |
| K17* | 55* | | BRUSH DISC GRIT 180 GRAY 17IN | 1 |
| K13 | 56 | | WASHER ID6XOD18XT1.5MM | 2 |
| | K1 | VS15439 | SKIRT BRISTLE KIT | 1 |
| | K2 | VS15440 | PAD HOLDER 17IN NO RETAINER KIT | 1 |
| | K3* | VS15441 | RETAINER PAD KIT | 1 |
| | K4 | VS15442 | REGULATING FULCRUM KIT | 1 |
| | K5 | VS15443 | DECK ADJUSTING KNOB KIT | 1 |
| | K6 | VS15444 | SCREW KIT1 | 2 |
| | K7 | VS15445 | MOTOR FIXING PLATE KIT | 1 |
| | K8 | VS15446 | SCREW KIT2 | 1 |
| | K9 | VS15447 | SQUEEGEE ROTATION ARM KIT | 1 |

PARTS LIST

AS4325B BRUSH ASSEMBLY

| Kit | Item | Part No. | Description | Qty |
|-----|------|----------|------------------------------------|-----|
| | K10 | VS15448 | LIFTING HANDLE FOR SQUEEGEE KIT | 1 |
| | K11 | VS15449 | SQUEEGEE TRAY KIT | 1 |
| | K12 | VS15450 | HUB BRUSH R.GEARMOTOR RIGHT KIT | 1 |
| | K13 | VS15455 | ROLLER BUMPER KIT | 1 |
| | K14 | VS15451 | SCREW KIT3 | 1 |
| | K15 | VS15452 | SQUEEGEE CONNECTION FRAME KIT | 1 |
| | K16 | VS15453 | SQUEEGEE BRACKET KIT | 1 |
| | K17 | VS15374 | BRUSH DISC PPL Ø0.7 BLACK 17IN KIT | 1 |
| | K17* | VS15338 | BRUSH DISC GRIT 180 GRAY 17IN KIT | 1 |

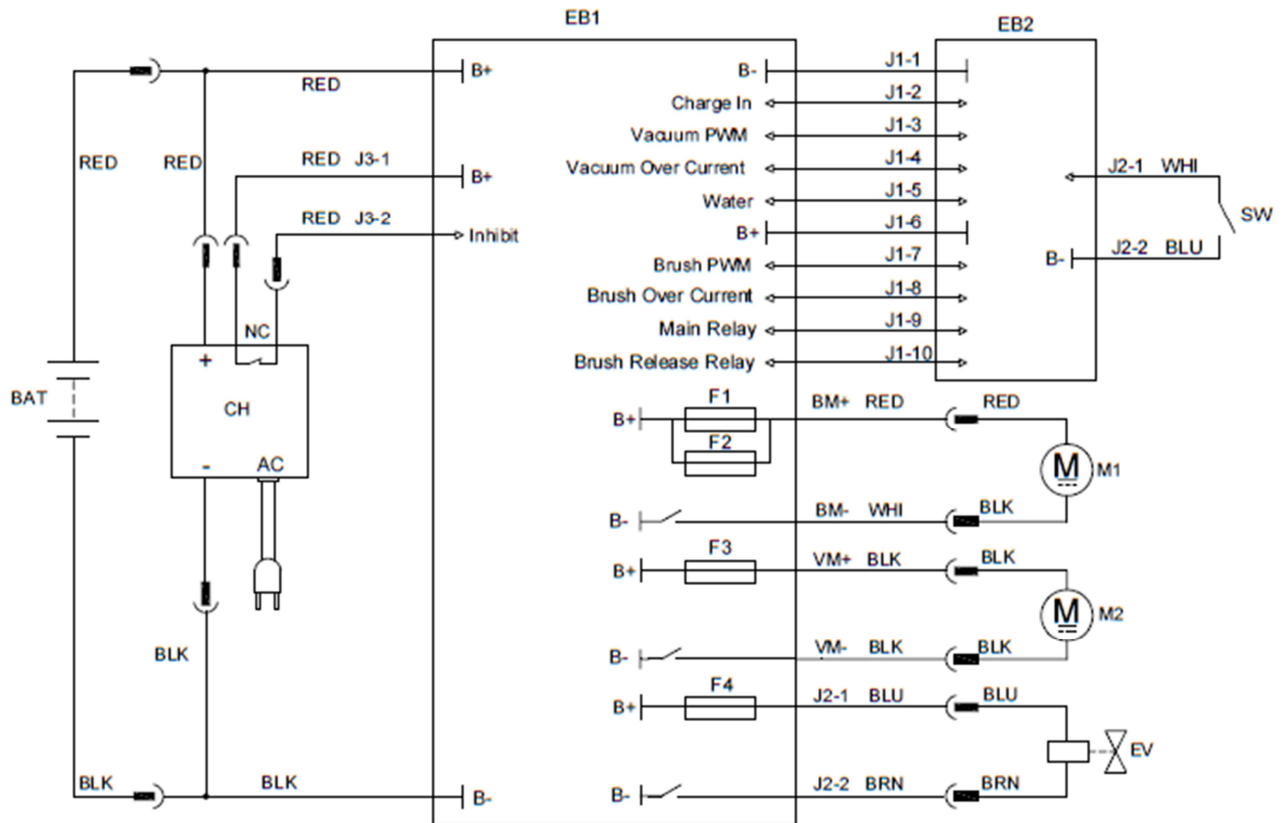
PARTS LIST

WEAR AND TEAR PARTS

| Kit | Item | Part No. | Description | Qty |
|-----|------|----------|---|-----|
| | 1 | VS15132 | RIGHT LEVER BRUSH SWITCH | 1 |
| | 2 | VS15131 | LEFT LEVER BRUSH SWITCH | 1 |
| | 3 | VV81432 | MICRO SWITCH | 1 |
| | 4 | VS15133 | ADJUST LEVER HANDLE | 1 |
| | 5 | VS15192 | GEAR | 1 |
| | 6 | VS15025 | DASH BOARD 24V AGM | 1 |
| | 7 | VS15386 | CONNECTION ROD KIT | 1 |
| | 8 | VS15225 | GASKET OF RECOVERY TANK LID | 1 |
| | 9 | VS15323 | VACUUM GRID WITH AUTOMATIC SHUT-OFF FLOAT | 1 |
| | 10 | VS15400 | DRAIN HOSE KIT | 1 |
| | 11 | VS15026 | CONTROLLER MAIN MACHINE | 1 |
| | 12 | VS15018 | CHARGER 10A | 1 |
| | 13 | VF89724 | BATTERY CHARGING CABLE US | 1 |
| | 14 | VS15003 | VACUUM MOTOR 24V 350W | 1 |
| | 15 | VS15403 | HOSE FRESH WATER LEVEL KIT | 1 |
| | 16 | VF89110A | SOLUTION OUTLET COVER KIT | 1 |
| | 17 | VS15415 | SUCTION HOSE KIT | 1 |
| | 18 | VF80115B | WHEEL 6 INCH | 1 |
| | 19 | VS15327 | 3.5 INCH CASTER | 1 |
| | 20 | VS15021 | 24V DC SOLENOID VALVE | 1 |
| | 21 | VF90621 | FILTER KIT | 1 |
| | 22 | VS15204 | BLADE REAR NATURAL RUBBER | 1 |
| | 23 | VS15160 | BEND CONNECTOR | 1 |
| | 24 | VS15201 | BLADE FRONT NATURAL RUBBER | 1 |
| | 25 | VS15159 | SQUEEGEE KNOB | 1 |
| | 26 | VS15436 | SQUEEGEE WHEEL KIT | 5 |
| | 27 | VS15437 | SQUEEGEE SCREW KIT | 1 |
| | 28 | VS15253 | HUB BRUSH GEAR MOTOR | 1 |
| | 29 | VS15032 | BRUSH MOTOR 24V DC ASSEMBLY | 1 |

PARTS LIST

AS4325B WIRING DIAGRAM



AS4325B WIRING DIAGRAM

| Kit | Item | Part No. | Description | Qty |
|-----|------|----------|--------------------------------------|-----|
| | BAT | VF90223 | BATTERIES 12V 85AH/20H | 2 |
| | CH | VS15018 | CHARGER 100-240V 50/60HZ 24V 10A AGM | 1 |
| | EB1 | VS15026 | CONTROLLER MAIN MACHINE | 1 |
| | EB2 | VS15025 | DASH BOARD 24V AGM | 1 |
| | M1 | VS15032 | BRUSH MOTOR 24VDC 400W | 1 |
| | M2 | VS15003 | MOTOR VACUUM 24V 300W | 1 |
| | EV | VS15021 | SOLENOID VALVE 24V DC | 1 |
| | SW | VV81432 | MICRO SWITCH | 1 |

www.vipercleaning.com

