



## **Electronic Service Manuals**

This electronic document is provided as a service to our customers. We do not create the contents of the information contained in this document. Should you have detailed questions pertaining to the information contained in this document, you may contact Michco, or the manufacturer which provided the original information in this electronic deliverable. Michco's only part in this electronic deliverable was the electronic assembly process. By providing this manual online we are not guaranteeing parts availability.

You may contact Michco through the following methods:

**Phone (517) 484-9312**

2011 N. High St. -- Lansing, Michigan -- 48906

Fax: (517) 484-9836

Email: [CustomerService@Michco.com](mailto:CustomerService@Michco.com)

Website: [www.Michco.Com](http://www.Michco.Com)

Order Parts online at:

**[www.Michco.Com](http://www.Michco.Com)**

Directly to Parts & Service:

By Email: **[CustomerService@Michco.com](mailto:CustomerService@Michco.com)**

By Fax: (517) 484-9836

By Voice: (517) 484-9312

**Serving the Cleaning Industry Since 1922**

Notice: All copyrighted material remains property of original owners, all trademarks are property of respective owners. Manuals are subject to Manufacturer's reproduction limitations. Originals or reproductions were provided by manufacturers through a request. We make no warranty as to the correctness of information provided in this document and you assume all risk. By placing these manuals on line we are not declaring our corporation to be an manufacturer authorized dealer or provider, please check our web site for authorized manufacturers we represent.

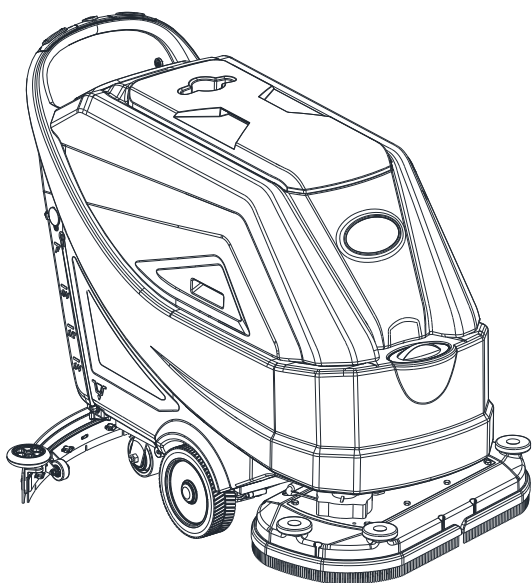
# AS6690T & AS7690T / AS7190TO

## PARTS LIST



AS6690T & AS7690T

AS7190TO



Model No.: 50000569/50000570/50000571/50000572  
50000573/50000574/50000575



VS14014 Rev. A Nov. 2019

**VIPER**

# PARTS LIST

---

## TABLE OF CONTENTS

GENERAL VIEW.....	2
SOLUTION TANK ASSEMBLY.....	4
RECOVERY TANK ASSEMBLY.....	8
CONTROL AND ELECTRICAL ASSEMBLY.....	11
CHASSIS ASSEMBLY .....	14
SOLUTION ASSEMBLY.....	16
BRUSH ASSEMBLY.....	18
ORBITAL HEAD ASSEMBLY.....	22
SQUEEGEE ASSEMBLY.....	26
CHARGER ON-BOARD ASSEMBLY.....	30
WIRING DIAGRAM.....	32
WEAR AND TEAR PARTS.....	34

### WHEN ORDERING PARTS

\*Use the part numbers from the "Part. No." columns in this parts list.

\*Specify the model and serial number of the machine.

\*Use the space below to record the model and serial number for future reference.

Model

Serial No.

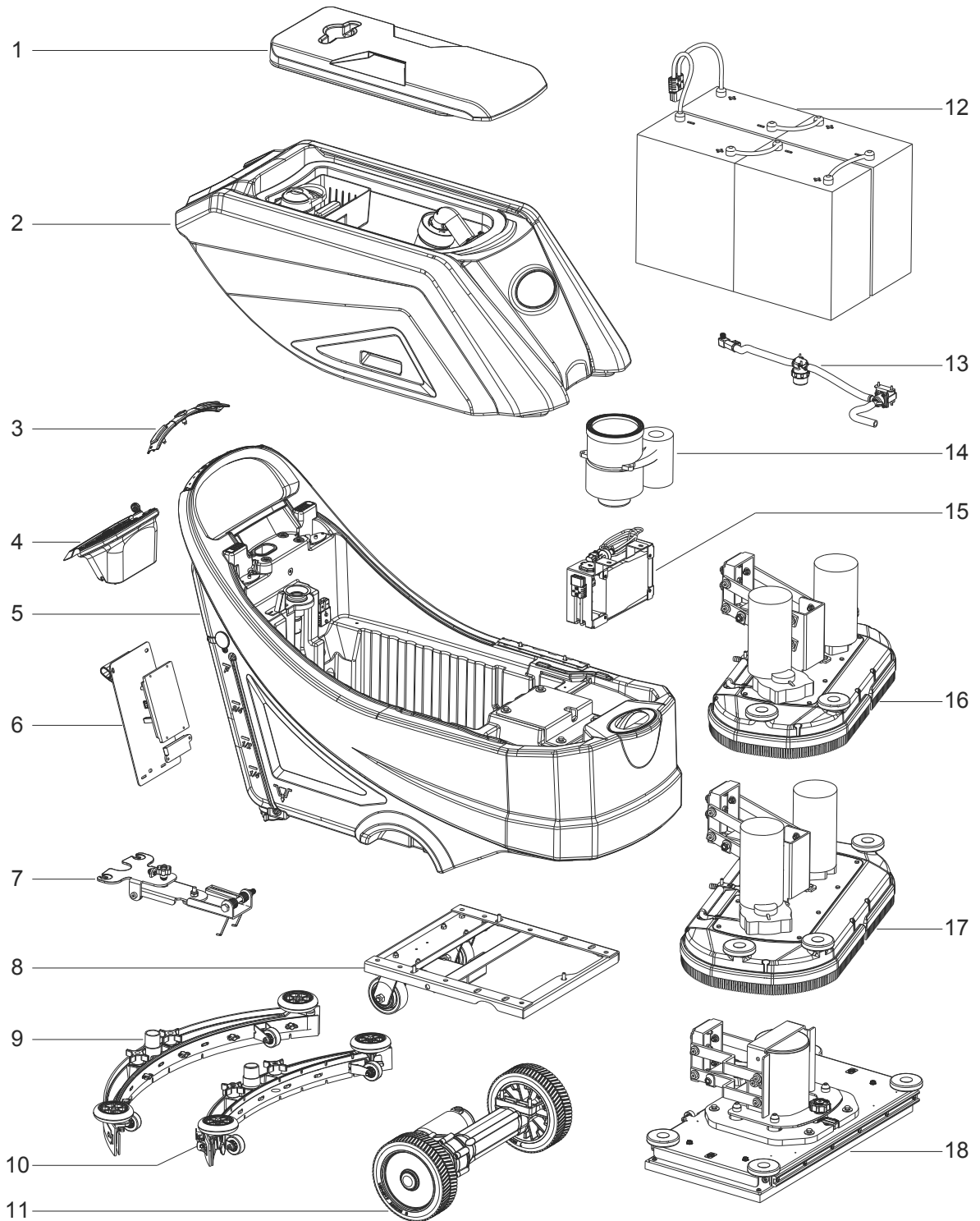
\* = Optional

# = Modified item No. or New Item No.

[] = Not shown

# PARTS LIST

## GENERAL VIEW



# PARTS LIST

## GENERAL VIEW

Item	Description	Qty
1	RECOVERY TANK LID ASSEMBLY	1
2	RECOVERY TANK ASSEMBLY	1
3	SAFETY SWITCH ASSEMBLY	1
4	CONTROL PANEL ASSEMBLY	1
5	SOLUTION TANK ASSEMBLY	1
6	CONTROL BOX ASSEMBLY	1
7	SQUEEGEE HOLDER ASSEMBLY	1
8	CHASSIS ASSEMBLY	1
9	SQUEEGEE ASSEMBLY 28 INCH	1
10	SQUEEGEE ASSEMBLY 26 INCH	1
11	WHEEL ASSEMBLY	1
12*	BATTERIES	4
13	SOLUTION SYSTEM ASSEMBLY	1
14	VACUUM MOTOR ASSEMBLY	1
15*	CHARGER ON-BOARD KIT	1
16	BRUSH ASSEMBLY 26 INCH	1
17	BRUSH ASSEMBLY 30 INCH	1
18	ORBITAL HEAD ASSEMBLY 28 INCH	1



# PARTS LIST

## SOLUTION TANK ASSEMBLY

Kit	Item	Part No.	Description	Qty
	1	VS10603	DRAIN HOSE GASKET	1
K1	2		CONNECTOR SUCTION HOSE	1
K1/K7/K18 /K20/K211	3		SCREW TM4X10	11
K1	4		BRACKET SUCTION HOSE	1
K1	5		CLAMP	1
	6	VS10601	SUCTION HOSE	1
	7*		BATTERIES	4
K13	8*	VS14317	TRAY BATTERY	1
K13	9*		CLAMP	2
K13	10*		HOSE F TRAY BATTERY	1
K13	11*	VS14614	VALVE BATTERY DRAIN	1
K2/K4	12	VS14306	BUTTON PLAST SWITCH	2
K2/K4	13		SCREW KA3.5X12	4
K2/K4	14		SPRING	4
K2	15		COVER PLAST SAFETY SWITCH LT	1
K2/K4	16		WASHER Ø3.6X Ø8X0.8	4
K2/K4	17		SCREW PA3X8	4
K3	18		BUTTON PLAST REAR SWITCH	1
K3	19		COVER PLAST REAR SWITCH	1
K4	20		COVER PLAST SAFETY SWITCH RT	1
	21	VS10202	WATER-PROOF SWITCH	3
K11	22		SCREW M4X16	4
K11	23		CLAMP Ø 6.4	3
K11	24		GUARD SPLASH WIRE	2
K11	25		GASKET WIRE	2
	28	VS14426	SPACER BATTERY	1
K17	29		SCREW M6X16	5
K17	30		SPRING WASHER Ø6	5
K17	31		WASHER Ø6.2X Ø13X2	5
K17	32	VS10441	HINGE	1
	33	VS14302	TANK SOLUTION 85L PLAST. DARK GREY	1
K5	34		SCREW M4X12	4
K5	35		SPRING WASHER Ø4	2
K5	36		WASHER Ø9X Ø4.2X0.8	2
K5	37		FIXED BLOCK	1
K8	38		RUBBER SOLUTION CAP	1

## PARTS LIST

### SOLUTION TANK ASSEMBLY

Kit	Item	Part No.	Description	Qty
K8	39		WASHER Ø4X Ø12X1	3
K9	40		JOINTS GASKET	2
K9	41	VS10331	ELBOW, 90° , BRASS	2
K9	42		HOSE FRESH WATER LEVEL	1
K9	43		FLOATING BALL OF WATER LEVEL	1
K10	44		OUTLET O-RING	1
K10	45		OUTLET COVER	1
K15	46		SCREW M8X25	4
K15	47		SPRING WASHER Ø8	4
K15	48		WASHER 8X20X2	4
K15	49	VS14403	ACTUATOR HOLDER	1
K16	50		PIN	2
K16	51		SPLIT PIN B	1
	52A/52B	VS12704	ACTUATOR LINEAR 24VDC 55KG STRK 145MM	1
	52C	VS14228	ACTUATOR LINEAR 24VDC 80KG STRK 145MM	1
K19	53	VS10312	FILTER COVER	1
K19	54		SCREW TA3.5X12	3
K19	55		WASHER Ø9X Ø4.2X0.8	1
K19	56		ZIPPER	1
K19	57		INLET PIPE FRAME	1
K8/K19	58		SCREW ST4X15	3
K19	59	VS10313	FILTER SUPPORT	1
K21	61		FLAT TIE HOLDER	7
K21	62		CLAMP	10
K18	64		CLAMP Ø12.7	1
K16	65		SPLIT PIN	1
K12	66		SCREW M4X25	2
K12	67		GUARD SPLASH	1
K17	68		PLATE HINGE FIX	1
K19	69	VS14630	GASKET FILTER COVER	1
K20	70		HOSE PVC	1
K20	71		CLAMP	1
	72*	VS14716	CHARGER ON-BOARD KIT 25A EU-UK	1
		VS14717	CHARGER ON-BOARD KIT 25A US	1
K6	73		CLAMP DRAIN HOSE	1
K6	74		SCREW ST4X16	2

A: ONLY FOR 26 INCH DISC MACHINE (AS6690T)

B: ONLY FOR 30 INCH DISC MACHINE (AS7690T)

C: ONLY FOR 28 INCH ORBITAL MACHINE (AS7190TO)

# PARTS LIST

## SOLUTION TANK ASSEMBLY

Kit	Item	Part No.	Description	Qty
K7	75		CLAMP HOSE DRAIN	1
	76	VS14207	BATTERY CONNECTIONS	1
	77	VS14211	HARNESS 24V INPUT	1
	78	VR27007	SB120 BATTERY CONNECTOR	1
	K1	VS10101	SUCTION CONNECTER FRAME KIT	1
	K2	VS14730	SAFETY SWITCH LEFT KIT	1
	K3	VS14731	FRONT BACK SWITCH KIT	1
	K4	VS14732	SAFETY SWITCH RIGHT KIT	1
	K5	VS14733	FIXED BLOCK KIT	1
	K6	VF90275	CLAMP DRAIN HOSE KIT	1
	K7	VS14756	WATER HOSE HOLDER KIT	1
	K8	VS14734	LID-SOLUTION TANK KIT	1
	K9	VS14735	WATER LEVEL PIPE KIT	1
	K10	VF90536	OUTLET COVER KIT	1
	K11	VF90265	SEAL PLATE KIT	2
	K12	VS14738	GUARD SPLASH KIT	1
	K13*	VS14737	TRAY BATTERY KIT	1
	K15	VS14740	ACTUATOR HOLDER KIT	1
	K16A/K16B	VS13762	ACTUATOR LINEAR 24VDC 55KG STRK 145MM KIT	1
	K16C	VS14741	ACTUATOR LINEAR 24VDC 80KG STRK 145MM KIT	1
	K17	VS14739	HINGE KIT	1
	K18	VS14773	CLAMP VAC WIRE KIT	1
	K19	VS10102	FILTER COVER KIT	1
	K20	VS14736	DRAIN-PIPE KIT	1
	K21	VS13702	WIRE CLASPS KIT	7

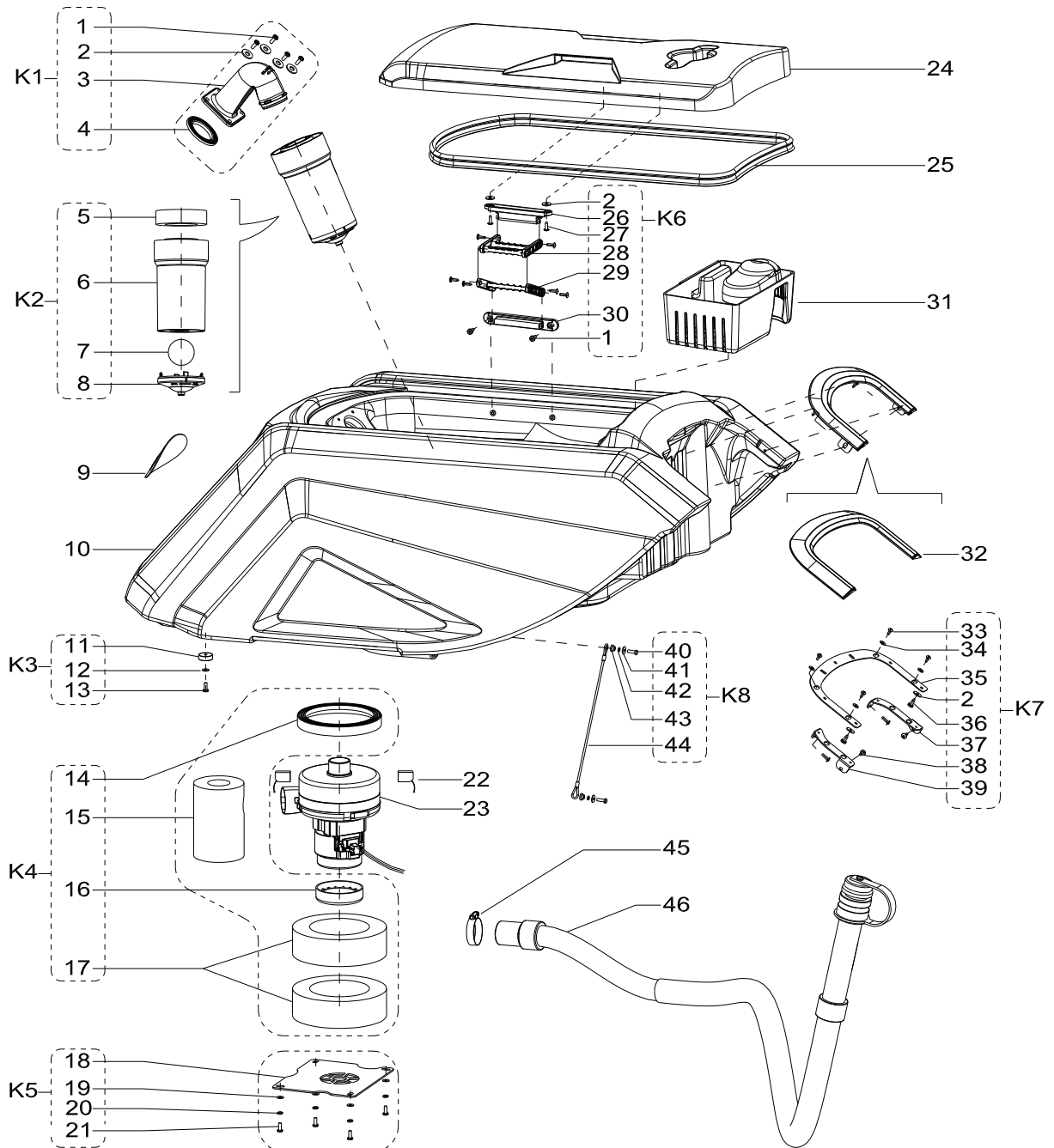
A: ONLY FOR 26 INCH DISC MACHINE (AS6690T)

B: ONLY FOR 30 INCH DISC MACHINE (AS7690T)

C: ONLY FOR 28 INCH ORBITAL MACHINE (AS7190TO)

# PARTS LIST

## RECOVERY TANK ASSEMBLY



# PARTS LIST

## RECOVERY TANK ASSEMBLY

Kit	Item	Part No.	Description	Qty
K1/K6/K7	1		SCREW PM4X12	6
K1	2		WASHER Ø4XØ12X1	10
K1	3		ELBOW ADAPTOR, FLOAT	1
K1	4		FLOAT GASKET	1
K2	5	VS14626	CAGE, FLOAT COMPLETE	1
K2	6		FLOAT BRACKET	1
K2	7	VF85124	FLOAT	1
K2	8		FLOAT BRACKET COVER	1
	9	VF90011	LOGO LABEL	1
	10	VS14301	RECOVERY TANK 90L PLAST. DARK GREY	1
K3	11		RUBBER GASKET	1
K3	12		WASHER Ø6XØ18X1.5	1
K3	13		SCREW TM5X12	1
K4	14		SUCTION UP GASKET	1
K4	15	VF85319	ACOUSTIC INSULATION PIPE	1
K4	16		TOP GASKET OF SUCTION MOTOR	1
K4	17	VS10007	ACOUSTIC INSULATION PIPE	2
K5	18	VS10419	VACUUM MOTOR COVER	1
K5	19		WASHER Ø6XØ18X1.5	4
K5	20		SPRING WASHER Ø5	4
K5	21		SCREW PM5X15	4
	22	VF90522	CARBON BRUSH KIT	2
	23	VS14231	MOTOR VACUUM 24V 500W 3STAGES	1
	24	VS14303	RECOVERY TANK LID	1
	25	VS14601	GASKET SIR	1
K6	26		FIXED FRAME-B	1
K6	27		SCREW ST4X16	8
K6	28		CONNECTION FRAME-B	1
K6	29		CONNECTION FRAME-A	1
K6	30		FIXED FRAME-A	1
	31	VS14744	TRAY DEBRIS KIT	1
	32	VS14308	DECORATIVE PANEL	1
K7	33		SCREW TM4X10	1
K7	34		WASHER Ø4XØ12.5X1.5	1
K7	35		DECORATIVE PANEL BRACKET	1
K7	36		SCREW PA3X8	4

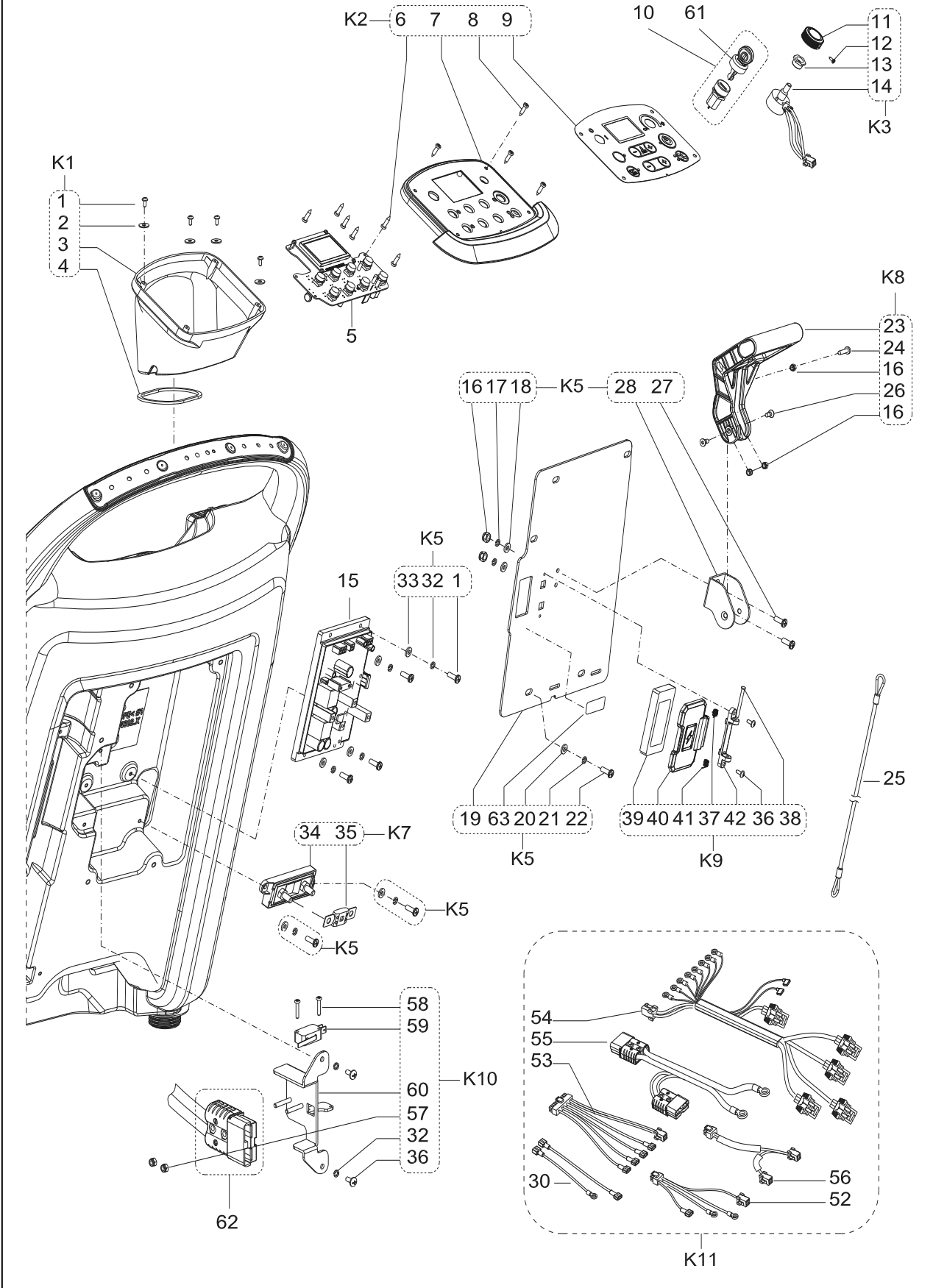
## PARTS LIST

### RECOVERY TANK ASSEMBLY

Kit	Item	Part No.	Description	Qty
K7	37		SWITCH COVER BRACKET RT	1
K7	38		SCREW TA3.5X12	4
K7	39		SWITCH COVER BRACKET LT	1
K8	40		SCREW TM6X20	2
K8	41		WASHER Ø6XØ18X1.5	2
K8	42		SPRING WASHER Ø6	2
K8	43		BUSHING Ø6.2XØ16X7.7	2
K8	44		CABLE Ø4.8 500mm	1
	45	VA20304	CLAMP	1
	46	VS14602	DRAIN HOSE	1
	K1	VS10110	ELBOW ADAPTOR KIT	1
	K2	VF90534	FLOAT KIT	1
	K3	VS10111	RUBBER GASKET KIT	1
	K4	VS10112	GASKET VACUUM MOTOR KIT	1
	K5	VS10113	VACUUM MOTOR COVER KIT	1
	K6	VS10114	CONNECTION FRAME KIT	1
	K7	VS14745	DECORATIVE PANEL BRACKET KIT	1
	K8	VS14746	CABLE TANK Ø4.8 500mm KIT	1

# PARTS LIST

## CONTROL AND ELECTRICAL ASSEMBLY



## PARTS LIST

### CONTROL AND ELECTRICAL ASSEMBLY

Kit	Item	Part No.	Description	Qty
K1/K5	1		SCREW M4X16	10
K1	2		WASHER Ø5X Ø12X1	4
K1	3		PCB BOX	1
K1	4		GASKET PCB BOX	1
	5A/5B	VS14204	CONTROL PANEL BOARD DISC	1
	5C	VS14225	CONTROL PANEL BOARD ORBITAL	1
K2	6		SCREW ST3.5*9.5	7
K2	7		CONTROL PANEL	1
K2	8		SCREW ST4X15	4
K2	9A/9B		CONTROL PANEL DECAL DISC	1
K2	9C		CONTROL PANEL DECAL ORBITAL	1
	10	9100001354	KEY SWITCH	1
K3	11	VS10315	ADJUST SPEED KNOB	1
K3	12		SCREW ST3X10	1
K3	13		KNOB NUT	1
K3	14	VS14222	SPEED POTENTIOMETER	1
	15	VS14205	CONTROLLER MAIN MACHINE	1
K5/K8	16		NUT LOCK M5	5
K5	17		SPRING WASHER M5	2
K5	18		WASHER Ø5X Ø12X1	2
K5	19	VS14715	CONTROL BOX COVER	1
K5	20		WASHER Ø5X Ø12X1	5
K5	21		SPRING WASHER M5	5
K5	22		SCREW M5X15	5
K8	23		HANDLE LIFT	1
K8	24		SCREW M5X20	1
	25	VS14501	CABLE Ø4.8 500mm	1
K8	26		SCREW M5	2
K5	27		SCREW M5X15	2
K5	28	VS14402	HAND BRACKET	1
K11	30		HARNESS CHARGING SWITCH	1
K5/K10	32		SPRING WASHER M4	8
K5	33		WASHER Ø4X Ø12X1	6
K7	34		BRACKET FUSE	1
K7	35	VS14213	FUSE 100A	1
K9/K10	36		SCREW M4X10	4

A: ONLY FOR 26 INCH DISC MACHINE (AS6690T)

B: ONLY FOR 30 INCH DISC MACHINE (AS7690T)

C: ONLY FOR 28 INCH ORBITAL MACHINE (AS7190TO)

## PARTS LIST

### CONTROL AND ELECTRICAL ASSEMBLY

Kit	Item	Part No.	Description	Qty
K9	37		SPRING	1
K9	38		PIN	1
K9	39		GASKET CHARGER PLUG	1
K9	40		CHARGER SOCKET COVER	1
K9	41		SPRING	1
K9	42		BRACKET CHARGER PLUG COVER	1
K11	52		HARNESS BRUSH ACTUATOR	1
K11	53	VS14219	HARNESS SPEED CONTROL	1
K11	54A/54B	VS14212	HARNESS MOTOR CABLE DISC	1
K11	54C	VS14232	HARNESS MOTOR CABLE ORB	1
K11	55	VS14211	HARNESS 24V INPUT	1
K11	56		HARNESS CAN BUS	1
K10	57		NUT LOCK M4	2
K10	58		BRACKET M3X49	2
K10	59	VR12005	MICRO SWITCH	1
K10	60		BRACKET CHARGER PLUG	1
	61	1462887000	KEY	1
	62	VR27007	SB120 BATTERY CONNECTOR	1
K5	63		LABEL	1
	K1	VS14747	PCB BOX KIT	1
	K2A/K2B	VS14748	CONTROL PANEL DISC KIT	1
	K2C	VS14749	CONTROL PANEL ORBITAL KIT	1
	K3	VS14774	ADJUST SPEED KNOB KIT	1
	K5	VS14753	CONTROL BOX COVER KIT	1
	K7	VS14752	FUSE KIT	1
	K8	VS14754	HANDLE LIFT KIT	1
	K9	VS14757	CHARGER SOCKET KIT	1
	K10	VS14758	POWER CORD BRACKET	1
	K11A/K11B	VS14750	HARNESS MACHINE F DISC KIT	1
	K11C	VS14775	HARNESS MACHINE F ORB KIT	1

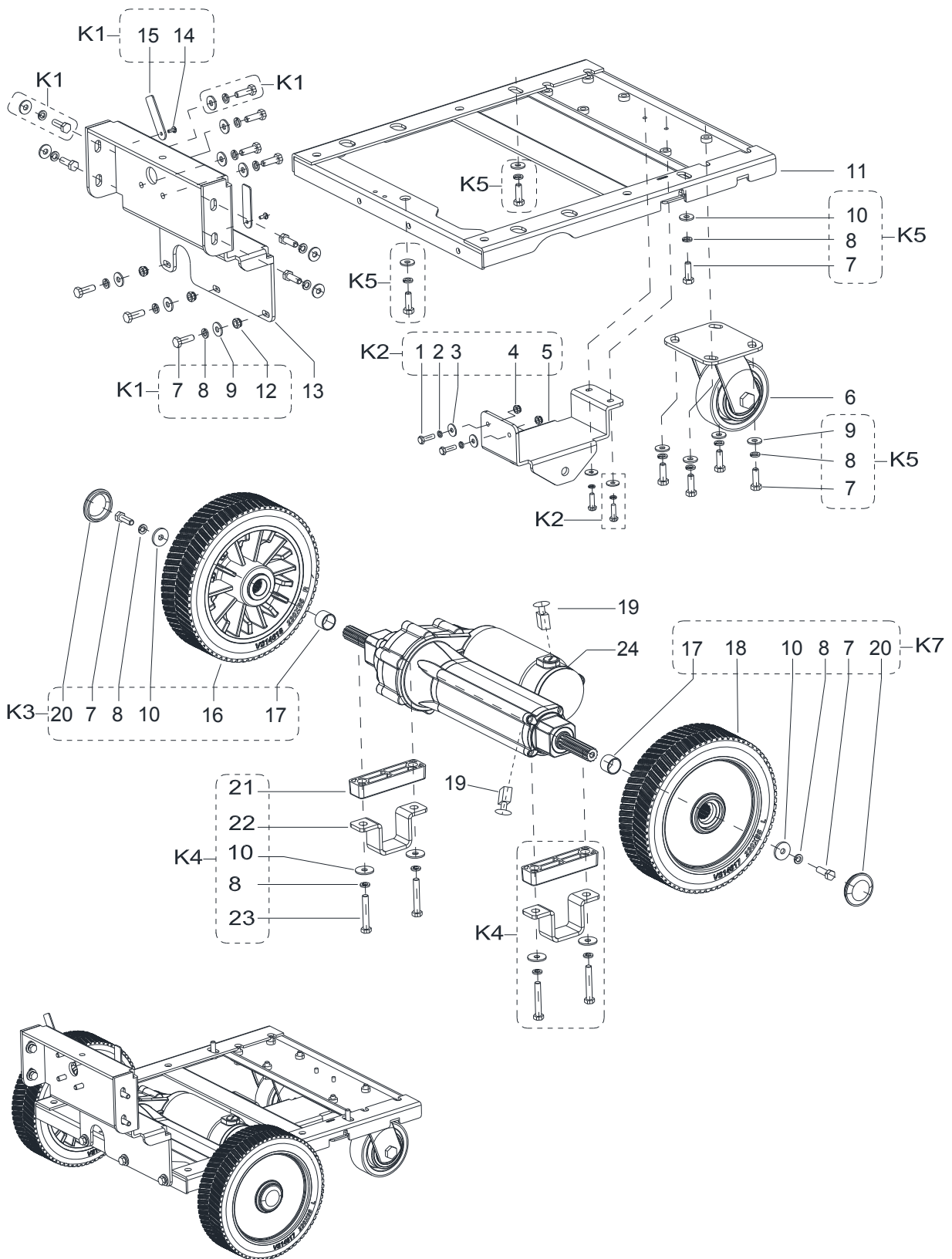
A: ONLY FOR 26 INCH DISC MACHINE (AS6690T)

B: ONLY FOR 30 INCH DISC MACHINE (AS7690T)

C: ONLY FOR 28 INCH ORBITAL MACHINE (AS7190TO)

# PARTS LIST

## CHASSIS ASSEMBLY



# PARTS LIST

## CHASSIS ASSEMBLY

Kit	Item	Part No.	Description	Qty
K2	1		SCREW M6X20	4
K2	2		SPRING WASHER Ø6	4
K2	3		WASHER Ø6.3XØ12.6X1.2	4
K2	4		NUT LOCK M6	4
K2	5	VS14411	BRACKET SPRING F SQUEEGEE	1
K6	6	VF83111	CASTER 4INCH	2
K1/K3/K5 K6/K7	7		SCREW M8X25	24
K1/K3/K4 K5/K6/K7	8		SPRING WASHER Ø8	28
K1/K6	9		WASHER Ø8XØ20X2	19
K3/K4/K5/K7	10		WASHER Ø8XØ26X2	9
K5	11	VS14410	CHASSIS	1
K1	12		NUT LOCK M8	3
K1	13	VS14413	SUPPORT BRUSH HEAD	1
K1	14		SCREW TM4X10	2
K1	15		RETAINER PLATE	2
K3	16	VS14618	WHEEL Ø230X65 RT	1
K3/K7	17	VS14505	SPACER D.20X23 H.17	2
K7	18	VS14617	WHEEL Ø230X65 LT	1
	19A/19B	VS11703	CARBON BRUSH KIT	2
	19C	VS14236	CARBON BRUSH KIT	2
	20		WHEEL COVER	2
K4	21		TRANSAXLE MOUNT BLOCK	2
K4	22		TRACTION MOUNT	2
K4	23		SCREW M8X45	4
	24A/B	VS14226	MOTOR TRACTION 250W 16A 115RPM	1
	24C	VS14230	MOTOR TRACTION 350W 22A 115RPM	1
	K1	VS14759	SUPPORT KIT	1
	K2	VS14760	SPRING BRACKET KIT	1
	K3	VS14763	WHEEL TRACTION 9 INCH RT KIT	1
	K4	VS10147	TRACTION MOUNT KIT	2
	K5	VS14761	SCREW-CHASSIS KIT	1
	K7	VS14764	WHEEL TRACTION 9 INCH LT KIT	1

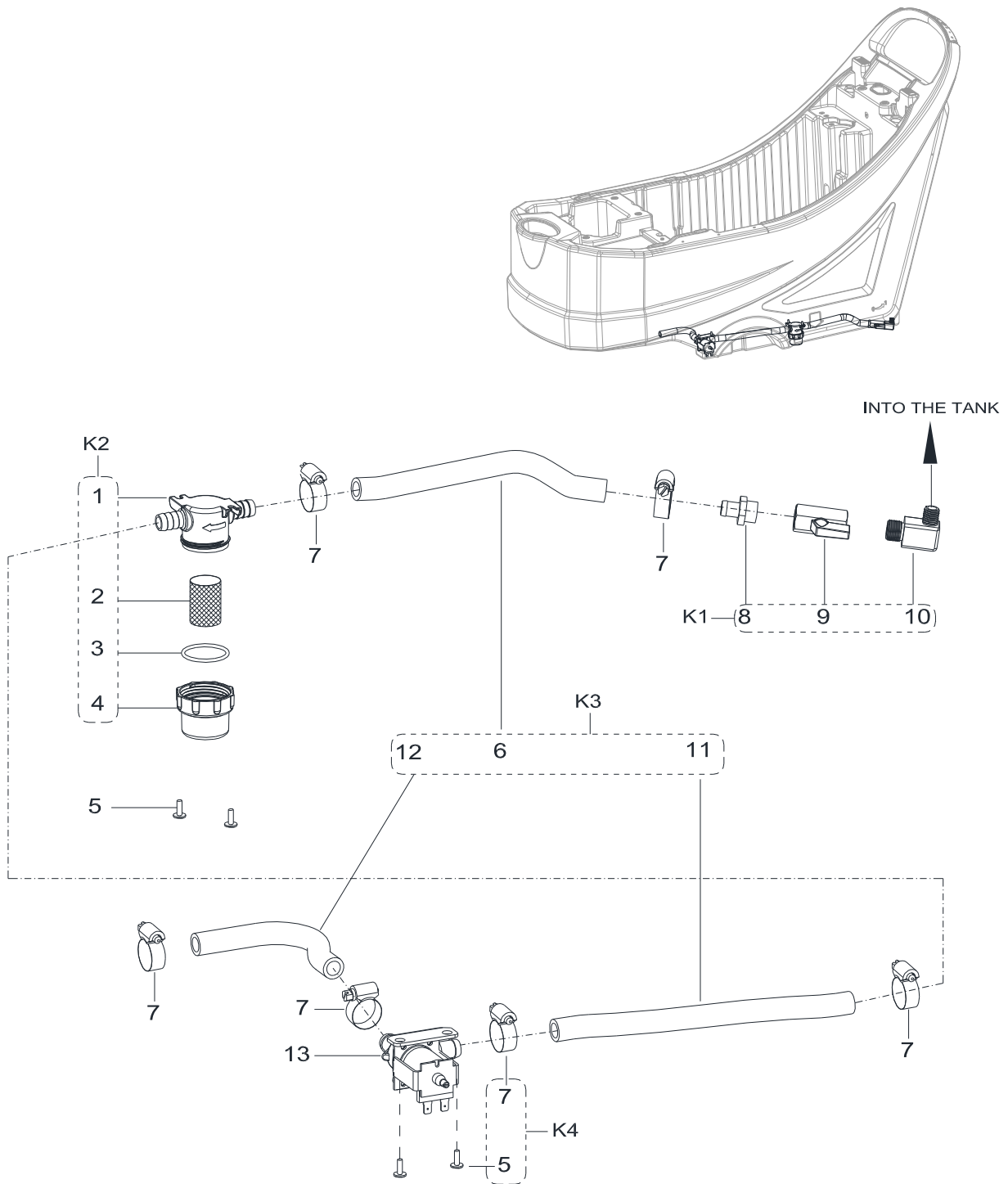
A: ONLY FOR 26 INCH DISC MACHINE (AS6690T)

B: ONLY FOR 30 INCH DISC MACHINE (AS7690T)

C: ONLY FOR 28 INCH ORBITAL MACHINE (AS7190TO)

# PARTS LIST

## SOLUTION ASSEMBLY



## PARTS LIST

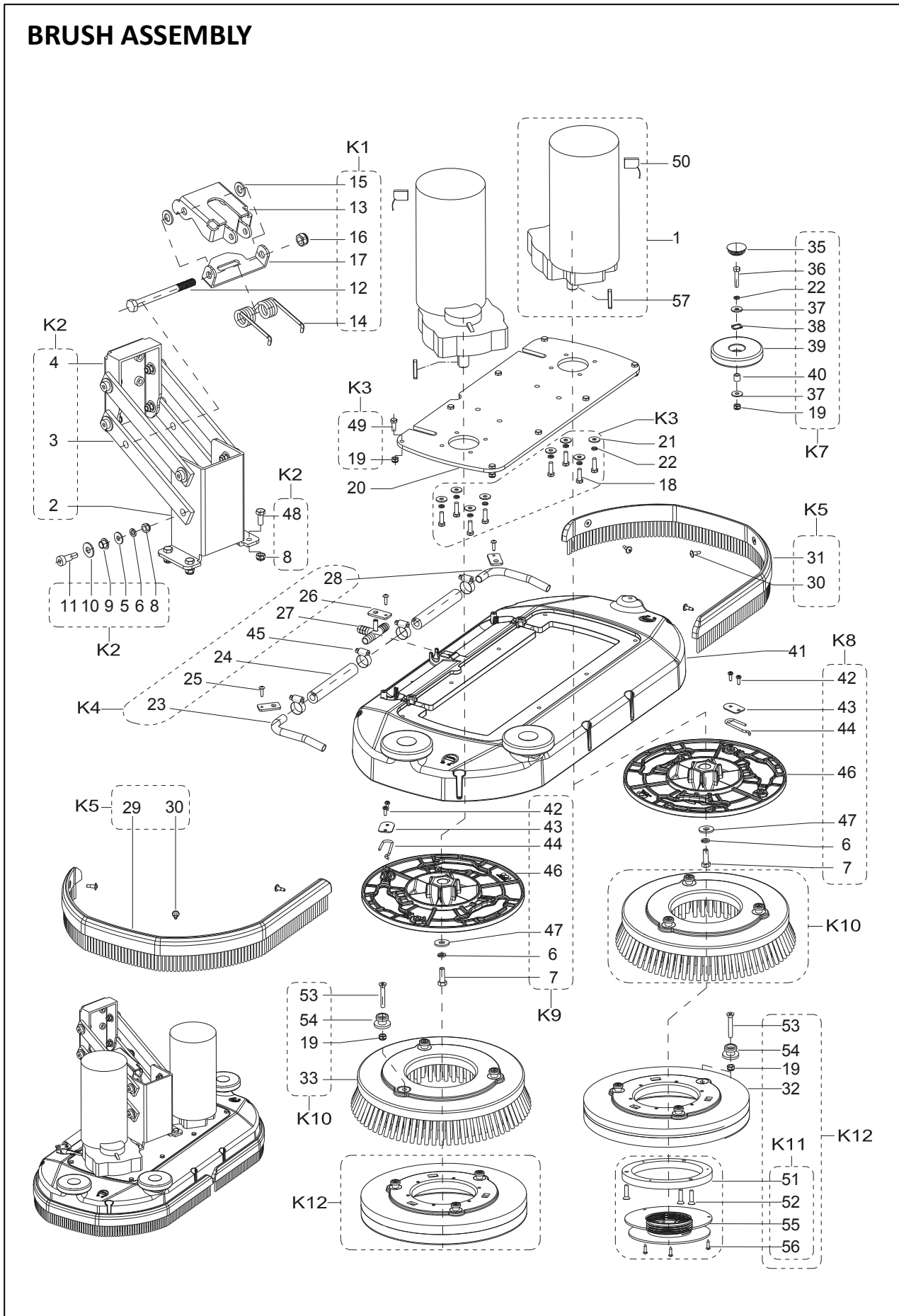
---

### SOLUTION ASSEMBLY

Kit	Item	Part No.	Description	Qty
K2	1	VF90604	FILTER BASE	1
K2	2	VF90608	FILTER NET	1
K2	3	VF90607	O-RING	1
K2	4	VF90603	FILTER COVER	1
	5		SCREW M4X10	4
	6		PVC TUBE WITH STEEL WIRE Ø 20MM L210mm	1
	7		CLAMP	4
K1	8		CONNECTOR	1
K1	9		BALL VALVE	1
K1	10		ELBOW 90 BRASS	1
K3	11		PVC TUBE WITH STEEL WIRE Ø 20MM L285mm	1
K3	12		PVC TUBE WITH STEEL WIRE Ø 20MM L385mm	1
	13	VS14206	SOLENOID VALVE 24V	1
	K1	VF91064	BALL VALVE KIT	1
	K2	VF90621	FILTER KIT	1
	K3	VS14765	PVC TUBE WITH STEEL WIRE KIT	1
	K4	VS10148	SCREW AND CLAMP KIT	1

# PARTS LIST

## BRUSH ASSEMBLY



# PARTS LIST

## BRUSH ASSEMBLY

Kit	Item	Part No.	Description	Qty
	1	VR37042	MOTOR BRUSH 24V 500W 180RPM	2
K2	2	VS14418	BRACKET DISC F DECK LIFT	1
K2	3		LEVER DISC F DECK LIFT	1
K2	4	VS14414	SUPPORT LEVER F DECK LIFT	1
K2	5		WASHER Ø8XØ20X2	8
K2/K8/K9	6		SPRING WASHER Ø8	10
K8/K9	7		SCREW M8X25	2
K2	8		NUT LOCK M8	12
K2	9		FLANGE BEARING	8
K2	10		WASHER Ø10.3XØ25X2	8
K2	11		SCREW Ø10X16XM8	8
K1	12		SCREW M12X115	1
K1	13		LEVER ACTUATOR	1
K1	14	VS14503	TORSIONAL SPRING	1
K1	15		NYLON WASHER	2
K1	16		NUT LOCK M12	1
K1	17		BRACKET LEVER ACTUATOR	1
K3	18		SCREW M6X20	8
K3/K7/K10/K12	19		NUT LOCK M6	11
	20A	VS14419	PLATE DECK F DISC 26	1
	20B	VS14428	PLATE DECK F DISC 30	1
K3	21		WASHER Ø6.2XØ12.6X1.2	8
K3/K7	22		SPRING WASHER Ø6	11
K4A	23A		ELBOW METAL DECK RT 26	1
K4B	23B		ELBOW METAL DECK RT 30	1
K4A	24A		STEEL TUBE Ø20MM L130mm	2
K4B	24B		STEEL TUBE Ø20MM L155mm	2
K9	25		SCREW M4X16	3
K4	26	VS14420	CLAMP HOSE	3
K4	27	VR17114	FOUR WAY PIPE JOINT	1
K4A	28A		ELBOW METAL DECK LT 26	1
K4B	28B		ELBOW METAL DECK LT 30	1
K5A	29A		SKIRT DECK RT 26	1
K5B	29B		SKIRT DECK RT 30	1
K5	30		SCREW Ø5X8XM4	6
K5A	31A		SKIRT DECK LT 26	1
K5B	31B		SKIRT DECK LT 30	1

A: ONLY FOR 26 INCH DISC MACHINE (AS6690T)

B: ONLY FOR 30 INCH DISC MACHINE (AS7690T)

## PARTS LIST

### BRUSH ASSEMBLY

Kit	Item	Part No.	Description	Qty
K12	32A		PAD HOLDER 13 INCH	2
K12	32B		PAD HOLDER 15 INCH	2
K10	33A		BRUSH FLOCKING 13 INCH	2
K10	33B		BRUSH FLOCKING 15 INCH	2
K7	35		CAP. BLACK	3
K7	36		SCREW M6X30	3
K7	37		WASHER Ø6XØ18X1.5	6
K7	38		WAVE WASHER	3
K7	39	VS10340	BUMPER ROLLER	3
K7	40		SPACER Ø25XØ10X9	3
	41A	VS14314	DECK PLAST F DISC 26	1
	41B	VS14323	DECK PLAST F DISC 30	1
K8/K9	42		SCREW ST5X10	4
K8/K9	43		CLAMP, BRUSH PLATE	2
K8/K9	44		SPRING	2
K4	45		CLAMP	4
K8/K9	46	VS14319	DRIVER PAD BRUSH	1
K8/K9	47		WASHER Ø8XØ26X2	2
	48		SCREW M8X20	4
	49		SCREW M6X16	8
	50	VF89116	CARBON BRUSH KIT	8
K11	51		SPACER	2
K11	52		SCREW ST6.5X25	6
K10/K12	53		SCREW M6X40	6
K10/K12	54	VF83133	STUD	6
K11	55	VF99003A	RETAINER PAD	2
K11	56		SCREW ST4X15	6
	57	VR14003	KEY	2
	K1	VS14769	SPRING HOLDER KIT	1
	K2	VS14768	BRUSH LIFTING SUPPORT KIT	1
	K3	VS14776	SCREW KIT PLATE DECK	1
	K4A	VS14770	ELBOW 26INCH KIT	1
	K4B	VS14777	ELBOW 30INCH KIT	1
	K5A	VS14328	SKIRT BRISTLE DECK -26 KIT	1
	K5B	VS14329	SKIRT BRISTLE DECK -30 KIT	1
	K7	VS10133	BUMPER ROLLER KIT	3
	K8	VS14767	PLATE DRIVE LT KIT	1

A: ONLY FOR 26 INCH DISC MACHINE (AS6690T)

B: ONLY FOR 30 INCH DISC MACHINE (AS7690T)

# PARTS LIST

---

## BRUSH ASSEMBLY

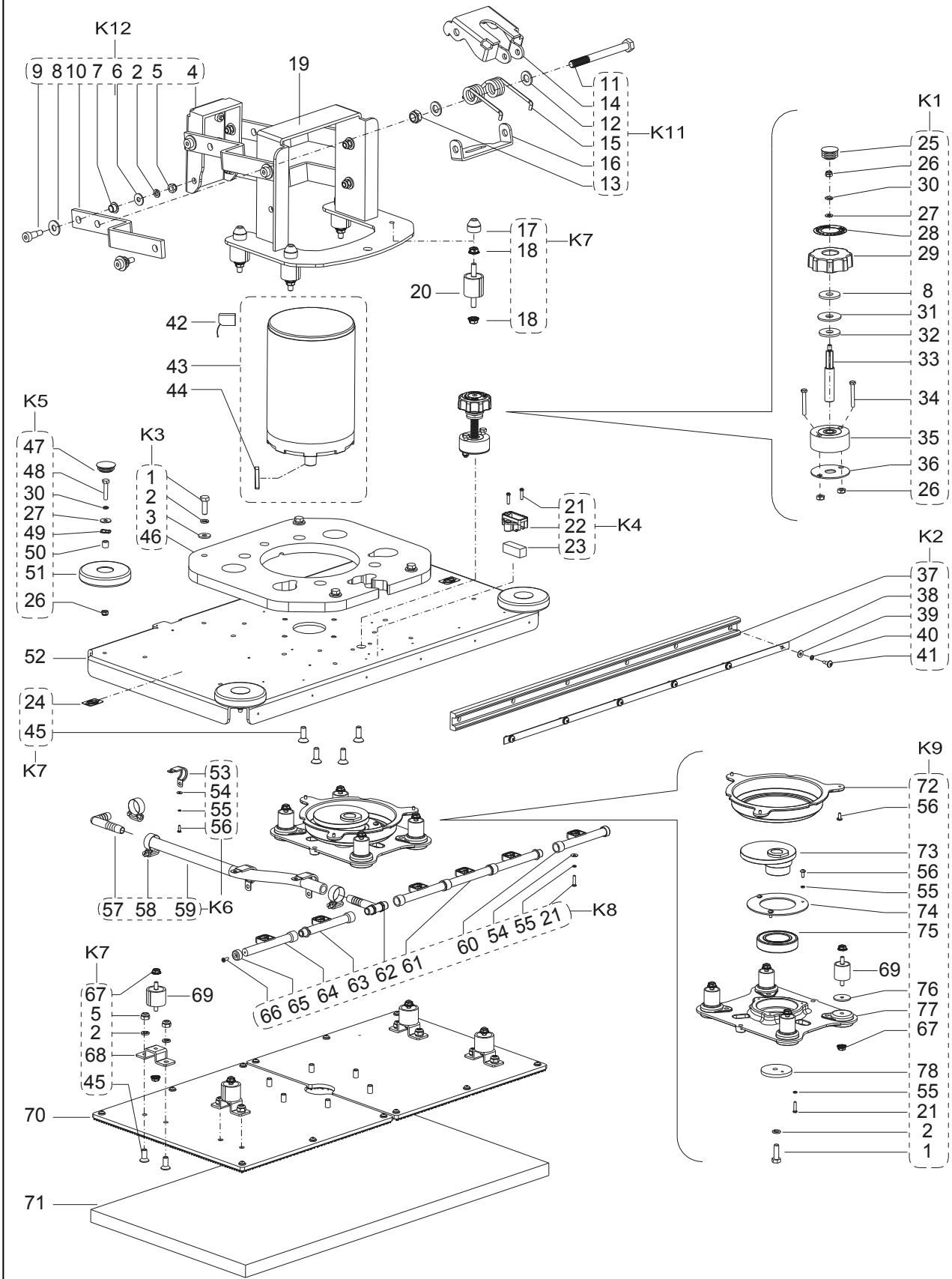
Kit	Item	Part No.	Description	Qty
	K9	VS14766	PLATE DRIVE RT KIT	1
	K10A*	VF83127	BRUSH DISC PPL Ø0.7 BLACK 13IN	2
		VS14333	BRUSH DISC GRIT 180 GRAY 13IN	2
	K10B*	VS14326	BRUSH DISC 3 PPL Ø0.7 BLACK 15IN	2
		VS14332	BRUSH DISC GRIT 180 GRAY 15IN	2
	K11	VS10131	RETAINER PAD KIT	2
	K12A	VF83207	PAD HOLDER WITH RETAINER 13IN	2
	K12B	VF84329	PAD HOLDER WITH RETAINER 15IN	2

A: ONLY FOR 26 INCH DISC MACHINE (AS6690T)

B: ONLY FOR 30 INCH DISC MACHINE (AS7690T)

# PARTS LIST

## ORBITAL HEAD ASSEMBLY



# PARTS LIST

## ORBITAL HEAD ASSEMBLY

Kit	Item	Part No.	Description	Qty
K3/K9	1		SCREW M8X25	5
K3/K7/K9/K12	2		SPRING WASHER Ø8	21
K3	3		WASHER Ø8.4X Ø26X2	4
K12	4	VS14414	SUPPORT LEVER F DECK LIFT	1
K7/K12	5		NUT LOCK M8	16
K12	6		WASHER Ø8X Ø20X2	8
K12	7		BUSHING PLAST	8
K1/K12	8		WASHER Ø10X Ø25X2	9
K12	9		SCREW Ø10X16XM8	8
K12	10		LEVER ORB DECK LIFTING	4
K11	11		SCREW M12X115	1
K11	12		NYLON WASHER	2
K11	13		NUT LOCK M12	1
K11	14		LEVER ACTUATOR	1
K11	15	VS14503	TORSIONAL SPRING	1
K11	16		BRACKET LEVER ACTUATOR	1
K10	17		RUBBER CAP	4
K10	18		NUT SERRATED FLANGE 5/16	8
	19	VS14431	PLATE HEAD DECK	1
	20*	VS14622	ISOLATOR - 50 DURO 5/16 – 18	4
		56380272	ISOLATOR - 50 DURO 5/16 – 18	4
K4/K8/K9	21		SCREW M4X16	9
K4	22		LEVEL BRACKET	1
K4	23		LEVEL	1
	24		LABEL NO STEP	2
K1	25		CAP	1
K1/K5	26		NUT LOCK M6	7
K1/K5	27		WASHER Ø6X Ø18X1.5	5
K1	28		DECAL BRUSH ADJUSTING	1
K1	29	VS12315	KNOB ADJUSTMENT	1
K1/K5	30		SPRING WASHER M6	5
K1	31	VS13618	RUBBER PLATE	1
K1	32		WASHER 9X27X3	1
K1	33		DOWEL BROOM PALTE FIXING	1
K1	34		SCREW M6X35 UNI5739	2
K1	35	VF85118	VIBRATION SPACER	1
K1	36		VIBRATION DAMPING PLATE	1

# PARTS LIST

## ORBITAL HEAD ASSEMBLY

Kit	Item	Part No.	Description	Qty
K2	37	VS14616	RUBBER BUMPER 28"	1
K2	38	VS14434	RETAINER, BUMPER 28"	1
K2	39		WASHER Ø5.2X Ø12X0.9	6
K2	40		SPRING WASHER M5	6
K2	41		SCREW Ø5X8XM4	6
	42	VF89116	CARBON BRUSH KIT	4
	43	VS14235	MOTOR ORB 750W 24V	1
	44	VS11706	PIN	1
K7	45		SCREW M8X20	14
K3	46		WEIGHT BLOCK	1
K5	47		CAP	4
K5	48		SCREW M6X30	4
K5	49		WAVE WASHER (SUS)	4
K5	50		SPACER	4
K5	51	VS10340	ROLLER BUMPER	4
	52	VS14433	PLATE DECK F ORB 28"	1
K6	53		CLAMP	3
K6/K8	54		WASHER Ø4X Ø12X1	9
K6/K8/K9/K9	55		SPRING WASHER Ø4	13
K6/K9	56		SCREW M4X10	9
K6	57	VS10328	PIPE JOINT	1
K6	58		CLAMP	2
K6	59		PIPE 12x20	1
K8	60	VS12309	PIPE B	1
K8	61	VS12308	PIPE A	3
K8	62		T-BRANCH PIPE	1
K8	63	VS14331	PIPE D	1
K8	64	VS13323	PIPE C	1
K8	65		PIPE CAP	2
K8	66		SCREW KA3.5X12	2
K7/K9	67		NUT, SERRATED FLANGE 1/4	16
K7	68		SPACER	4
	69	VS14621	ISOLATOR-1.25 30 DURO 1/4-20	8
	69*	56382990	ISOLATOR-1.25 30 DURO 1/4-20	8
	70	VS14437	FLEX PLATE ASSY 28 INCH	2
	71*	997001	Pad, Red, 28"	1

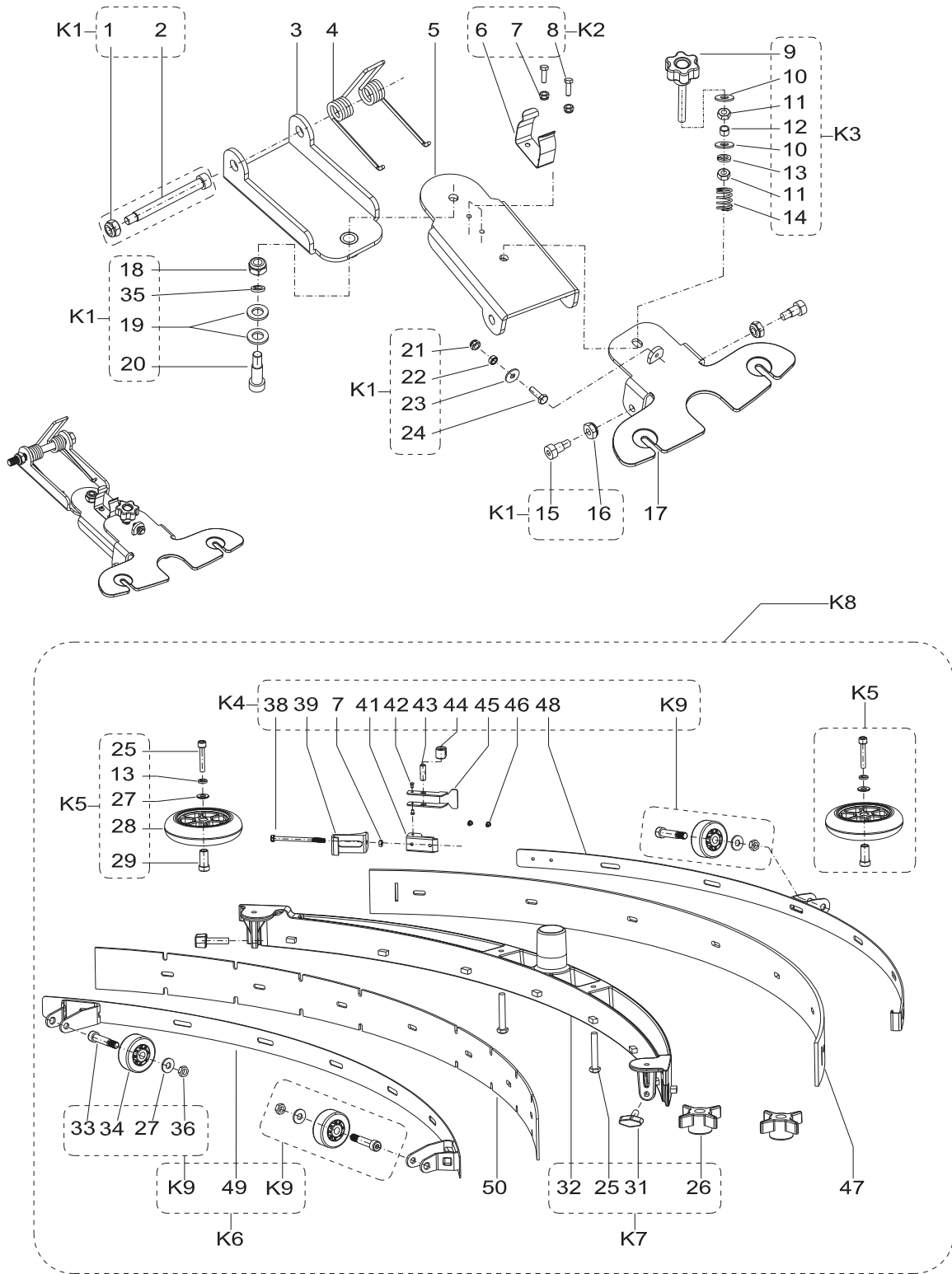
## PARTS LIST

### ORBITAL HEAD ASSEMBLY

Kit	Item	Part No.	Description	Qty
K9	72	VS12301	DUSTBAND	1
K9	73	VS12403	ECCENTRIC	1
K9	74	VS13435	RETAINER, BEARING	1
K9	75	50736A	BEARING	1
K9	76		WASHER Ø6XØ28X2	4
K9	77	VS12411	DRIVER PLATE	1
K9	78	VS13434	RETAINER, ECCENTRIC	1
	K1	VS12104	HORIZONTAL ADJUSTMENT KIT	1
	K2	VS14742	RUBBER BUMPER KIT	1
	K3	VS12106	WEIGHT BLOCK KIT	1
	K4	VS13768	LEVEL KIT	1
	K5	VS10133	BUMPER ROLLER KIT	4
	K6	VS13772	INLET PIPE KIT	1
	K7	VS13766	SCREW KIT	4
	K8	VS14771	OUTLET PIPE KIT	1
	K9	VS13770	DRIVER PLATE KIT	1
	K11	VS14769	SPRING HOLDER KIT	1
	K12	VS14772	BRUSH LIFTING SUPPORT KIT	1

# PARTS LIST

## SQUEEGEE ASSEMBLY



# PARTS LIST

## SQUEEGEE ASSEMBLY

Kit	Item	Part No.	Description	Qty
K1	1		NUT LOCK M12	1
K1	2		SCREW M12X115	1
	3	VS10401	FRONT SQUEEGEE SUPPORT	1
	4	VF82172	SPRING 70	1
	5	VS14412	BACK SQUEEGEE SUPPORT	1
K2	6		CLAMP DRAIN HOSE	1
K2	7		NUT LOCK M5	3
K2	8		SCREW M5X12	2
K3	9	VF85143	ADJUSTMENT KNOB	1
K3	10		WASHER Ø8XØ16.5X1	2
K3	11		NUT M8	2
K3	12		SPACER Ø8XØ10X6	1
K3/K5	13		SPRING WASHER Ø8	3
K3	14		SPRING	1
K1	15		SCREW Ø10X11.5XM8	2
K1	16		NUT LOCK M8	2
	17	VS14442	COATING SQUEEGEE CONNECTOR PLATE	1
K1	18		NUT LOCK M10	1
K1	19		NYLON SPACER	2
K1	20		SCREW Ø12X16XM10	1
K1	21		NUT LOCK M6	1
K1	22		SPACER	1
K1	23		WASHER Ø6.2X Ø16X2	1
K1	24		SCREW M6X20	1
K5/K7	25		SCREW M8X50	4
	26	VF81210	NUT THUMB SQUEEGEE FIXING	2
K5	27		WASHER Ø8XØ16X1.5	5
K5	28	VR14404	ROLLER BUMPER	2
K5	29		SPACER Ø14XØ8.2X21	2
K7	31	VF85420	WING NUT M8x30	2
K7A	32A	VS14447	SQUEEGEE BODY 830MM 33 AL.	1
K7B	32B/32C	VR16005	SQUEEGEE BODY 950MM 37 AL.	1
K4/K6	33		SCREW Ø 9.5x31.5x5/16"	3
K4/K6	34		ROLLER BUMPER	3

A: ONLY FOR 26 INCH DISC MACHINE (AS6690T)

B: ONLY FOR 30 INCH DISC MACHINE (AS7690T)

C: ONLY FOR 28 INCH ORBITAL MACHINE (AS7190TO)

# PARTS LIST

## SQUEEGEE ASSEMBLY

Kit	Item	Part No.	Description	Qty
K1	35		SPRING WASHER, Ø10	1
K4/K6	36		NUT LOCK M8 5/16"	3
K4	38		SCREW M5X70	1
K4	39	VR16202	STRAP.SQUEEGEE RIGHT REAR BUCKLE	1
K4	41		BUCKLE STAY	1
K4	42		SUS RIVET Ø3X5	2
K4	43		BUCKLE SHAFT	1
K4	44		BUCKLE SHAFT SPACER	1
K4	45		BUCKLE FRAME	1
K4	46		SUS RIVET Ø4X5	2
	47A*	VS14633	BLADE REAR PU 830MM 33IN	1
		VS14638	BLADE REAR RUBBER 830MM 33IN	1
		VS14640	BLADE REAR LINATEX 830MM 33IN	1
	47B*/47C*	VR16003	BLADE REAR PU 940MM 37IN	1
		VS14636	BLADE REAR RUBBER 940MM 37IN	1
		VR16003L	BLADE REAR LINATEX 940MM 37IN	1
K4A	48A	VS14448	STRAP.SQUEE. SUS304 RR 830MM 33IN	1
K4B	48B/49C	VR16220	STRAP.SQUEE. SUS304 RR 940MM 37IN	1
K6A	49A	VS14445	STRAP.SQUEE. SUS304 FR 830MM 33IN	1
K6B	49B/49C	VR16110	STRAP.SQUEE. SUS304 FR 940MM 37IN	1
	50A*	VS14632	BLADE FRONT PU 830MM 33IN	1
		VS14637	BLADE FRONT RUBBER 830MM 33IN	1
		VS14639	BLADE FRONT LINATEX 830MM 33IN	1
	50B*/50C*	VR16002	BLADE FRONT PU 940MM 37IN	1
		VS14635	BLADE FRONT RUBBER 940MM 37IN	1
		VR16002L	BLADE FRONT LINATEX 940MM 37IN	1
	K1	VS13711	HARDWARE SQUEEGEE SUPPORT KIT	1
	K2	VS14778	CLAMP HOSE KIT	1
	K3	VF90141	HAND WHEEL KIT	1
	K4A	VS14713	STRAP KIT SQUEE. RR 830MM 33IN	1
	K4B/K4C	VR16200	STRAP KIT SQUEE. RR 940MM 37IN	1
	K5	VR16007	WHEEL KIT BUMPER	2
	K6A	VS14712	STRAP KIT SQUEE. FR 830MM 33IN	1
	K6B/K6C	VR16100	STRAP KIT SQUEE. FR 940MM 37IN	1

A: ONLY FOR 26 INCH DISC MACHINE (AS6690T)

B: ONLY FOR 30 INCH DISC MACHINE (AS7690T)

C: ONLY FOR 28 INCH ORBITAL MACHINE (AS7190TO)

## PARTS LIST

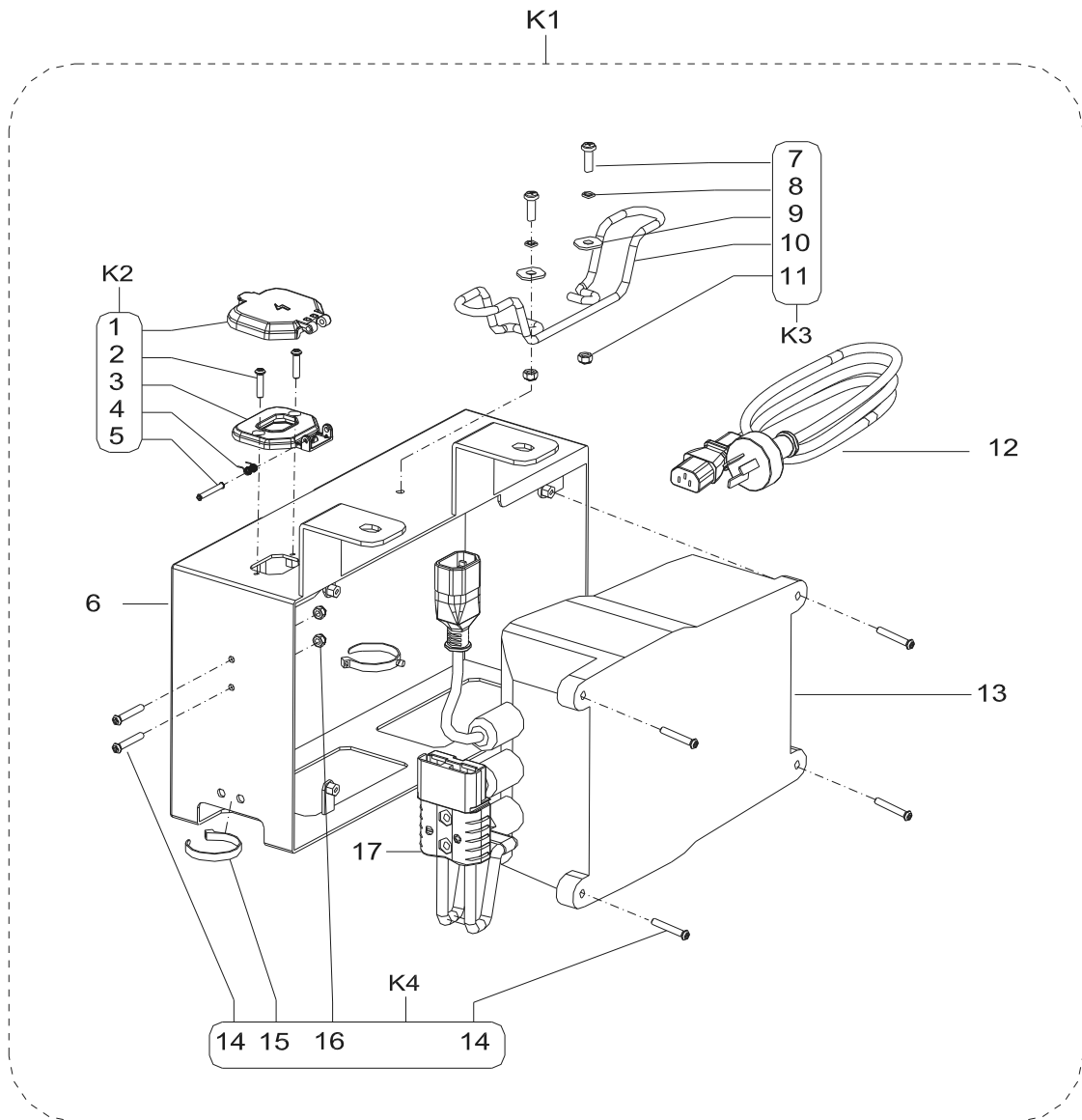
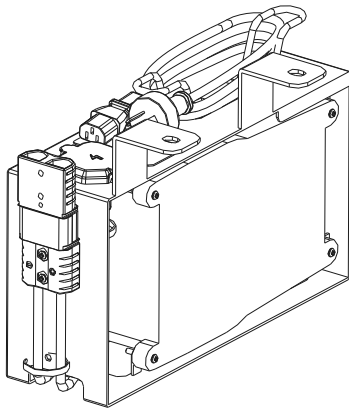
### SQUEEGEE ASSEMBLY

Kit	Item	Part No.	Description	Qty
	K7A	VS14711	SQUEEGEE BODY AL.830MM 33IN KIT	1
	K7B/K7C	VR16008	SQUEEGEE BODY AL. 940MM 37IN KIT	1
	K8A*	VS14708	SQUEEGEE F RED NR BLADE 830MM 33IN KIT	1
		VS14707	SQUEEGEE F PU BLADE 830MM 33IN KIT	1
		VS14709	SQUEEGEE F LINATEXBLADE 830MM 33IN KIT	1
	K8B/K8C*	VR16000	SQUEEGEE F PU BLADE 940MM 37IN KIT	1
		VS14704	SQUEEGEE F RED NR BLADE 940MM 37IN KIT	1
		VS14710	SQUEEGEE F LINATEXBLADE 940MM 37IN KIT	1
	K9	VF90136	SQUEEGEE ROLL WHEEL KIT	3

- A: ONLY FOR 26 INCH DISC MACHINE (AS6690T)  
 B: ONLY FOR 30 INCH DISC MACHINE (AS7690T)  
 C: ONLY FOR 28 INCH ORBITAL MACHINE (AS7190TO)

# PARTS LIST

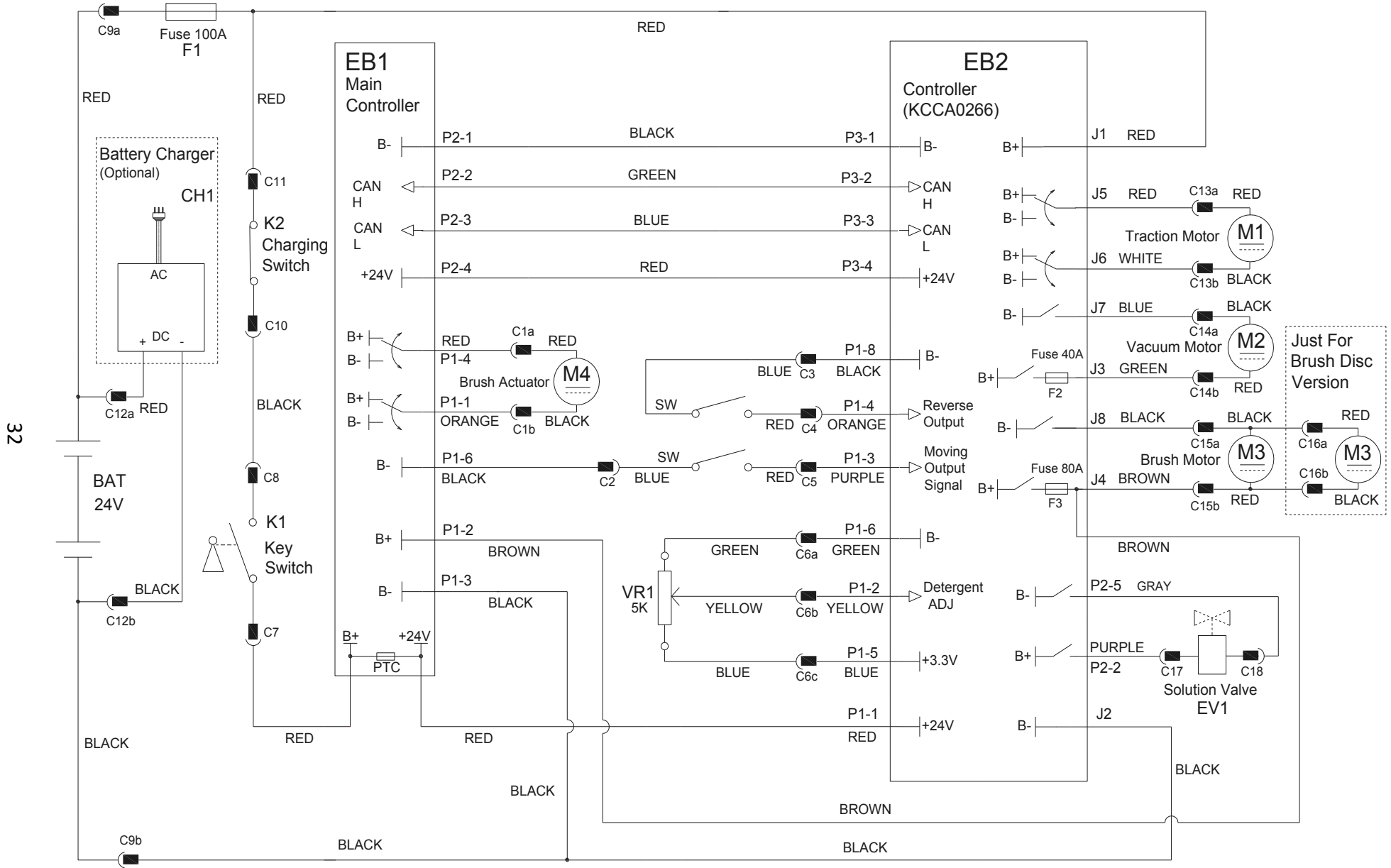
## CHARGER ON-BOARD ASSEMBLY



## PARTS LIST

### CHARGER ON-BOARD ASSEMBLY

Kit	Item	Part No.	Description	Qty
K2	1		CHARGER SOKET COVER	1
K2	2		SCREW M4X16	2
K2	3		CHARGER SOKET FIX	1
K2	4		SPRING	1
K2	5		PIN	1
	6		BRACKET ON-BOARD CHARGER BATTERY	1
K3	7		SCREW M5X15	2
K3	8		SPRING WASHER M5	2
K3	9		WASHER Ø6XØ18X1.5	2
K3	10		CABLE SUPPORT	1
	11		NUT LOCK M5	2
K1	12	VF89725	BATTERY CHARGING CABLE EU	1
		VF89726	BATTERY CHARGING CABLE UK	1
		VF89724	BATTERY CHARGING CABLE US	1
K1	13	VS14233	CHARGER 24V 25A EU	1
		VS14234	CHARGER 24V 25A US	1
K4	14		SCREW M4X25	6
K4	15		CLAMP	2
K4	16		NUT LOCK M4	2
	17	VR27007	SB120 BATTERY CONNECTOR	1
	K1*	VS14716	CHARGER ON-BOARD KIT 25A EU-UK	1
		VS14717	CHARGER ON-BOARD KIT 25A US	1
	K2	VS10126	CHARGER SOKET KIT	1
	K3	VF90280	CABLE SUPPORT KIT	1
	K4	VS14779	SCREW KIT CHARGER	1



Just For Brush Disc Version

# PARTS LIST

## WIRING DIAGRAM

Item	Part No.	Description	Qty
EB1	VS14204	CONTROL PANEL BOARD DISC	1
	VS14225	CONTROL PANEL BOARD ORBITAL	1
EB2	VS14205	CONTROLLER MAIN MACHINE	1
BAT	N/A	BATTERIES	4
F1	VS14213	FUSE 100A	1
F2	VS14238	FUSE 40A	1
F3	VS14237	FUSE 80A	1
CH1	VS14716	CHARGER ON-BOARD KIT 25A EU-UK	1
	VS14717	CHARGER ON-BOARD KIT 25A US	1
K1	9100001354	KEY SWITCH	1
K2	VR12005	MICRO SWITCH	1
SW	VS10202	WATER-PROOF SWITCH	3
VR1	VS14222	SPEED POTENTIOMETER	1
EV1	VS14206	SOLENOID VALVE 24V	1
M1	VS14226	MOTOR TRACTION 250W 16A 115RPM	1
	VS14230	MOTOR TRACTION 350W 22A 115RPM	1
M2	VS14231	MOTOR VACUUM 24V 500W 3STAGES	1
M3	VR37042	MOTOR BRUSH 24V 500W 180RPM	2
	VS14235	MOTOR ORB 750W 24V	1
M4	VS12704	ACTUATOR LINEAR 24VDC 55KG STRK 145MM	1
	VS14228	ACTUATOR LINEAR 24VDC 80KG STRK 145MM	1

## PARTS LIST

### WEAR AND TEAR PARTS

Kit	Item	Part No.	Description	Qty
	1	VS10601	SUCTION HOSE	1
	2	VS10202	WATER-PROOF SWITCH	3
	3A/3B	VS13762	ACTUATOR LINEAR 24VDC 55KG STRK 145MM KIT	1
	3C	VS14741	ACTUATOR LINEAR 24VDC 80KG STRK 145MM KIT	1
	4	VF90536	OUTLET COVER KIT	1
	5	VS10102	FILTER COVER KIT	1
	6	VS14626	CAGE, FLOAT COMPLETE	
	7	VF85124	FLOAT	1
	8	VF90522	CARBON BRUSH KIT	2
	9	VS14231	MOTOR VACUUM 24V 500W 3STAGES	1
	10	VS14601	GASKET SIR	1
	11	VS14602	DRAIN HOSE	1
	12A	VS14204	CONTROL PANEL BOARD DISC	1
	12B	VS14225	CONTROL PANEL BOARD ORBITAL	1
	13	9100001354	KEY SWITCH	1
	14	VS14774	ADJUST SPEED KNOB KIT	1
	15	VS14205	CONTROLLER MAIN MACHINE	1
	16	VS14752	FUSE KIT	1
	17	VS14757	CHARGER SOKET KIT	1
	18	VS14501	CABLE Ø4.8 500mm	1
	19A/19B	VS14750	HARNESS MACHINE F DISC KIT	1
	19C	VS14775	HARNESS MACHINE F ORB KIT	1
	20	VS14763	WHEEL TRACTION 9 INCH RT KIT	1
	21	VS14764	WHEEL TRACTION 9 INCH LT KIT	1
	22	VF83111	CASTER 4INCH	2
	23A/23B	VS11703	CARBON BRUSH KIT	1
	23C	VS14236	CARBON BRUSH KIT	1
	24A/24B	VS14226	MOTOR TRACTION 250W 16A 115RPM	1
	24	VS14230	MOTOR TRACTION 350W 22A 115RPM	1
	25	VF90621	FILTER KIT	1
	26	VS14206	SOLENOID VALVE 24V	1
	27	VR37042	MOTOR BRUSH 24V 500W 180RPM	1

## PARTS LIST

### WEAR AND TEAR PARTS

Kit	Item	Part No.	Description	Qty
	29	VF89116	CARBON BRUSH KIT	12
	30	VS14328	SKIRT BRISTLE DECK -26 KIT	1
	31	VS14329	SKIRT BRISTLE DECK -30 KIT	1
	32	VS10133	BUMPER ROLLER KIT	3
	33	VR14003	KEY	2
	34A	VF83127	BRUSH DISC PPL Ø0.7 BLACK 13IN	1
	35B	VS14326	BRUSH DISC PPL Ø0.7 BLACK 15IN	1
	36A	VF83207	PAD HOLDER WITH RETAINER 13IN	1
	36B	VF84329	PAD HOLDER WITH RETAINER 15IN	1
	37	VS14622	ISOLATOR - 50 DURO 5/16 – 18	4
	38	VS14235	MOTOR ORB 750W 24V	1
	39	VS14621	ISOLATOR-1.25 30 DURO 1/4-20	8
	40	50736A	BEARING	1
	41	VR16007	WHEEL KIT BUMPER	2
	42	VF90136	SQUEEGEE GUIDE WHEEL	3
	43*	VS14632	BLADE FRONT PU 830MM 33IN	1
		VS14637	BLADE FRONT RUBBER 830MM 33IN	1
		VS14639	BLADE FRONT LINATEX 830MM 33IN	1
	44*	VR16002	BLADE FRONT PU 940MM 37IN	1
		VS14635	BLADE FRONT RUBBER 940MM 37IN	1
		VR16002L	BLADE FRONT LINATEX 940MM 37IN	1
	45*	VS14633	BLADE REAR PU 830MM 33IN	1
		VS14638	BLADE REAR RUBBER 830MM 33IN	1
		VS14640	BLADE REAR LINATEX 830MM 33IN	1
	46*	VR16003	BLADE REAR PU 940MM 37IN	1
		VS14636	BLADE REAR RUBBER 940MM 37IN	1
		VR16003L	BLADE REAR LINATEX 940MM 37IN	1

A: ONLY FOR 26 INCH DISC MACHINE (AS6690T)

B: ONLY FOR 30 INCH DISC MACHINE (AS7690T)

C: ONLY FOR 28 INCH ORBITAL MACHINE (AS7190TO)

[www.vipercleaning.com](http://www.vipercleaning.com)

