



Electronic Service Manuals

This electronic document is provided as a service to our customers. We do not create the contents of the information contained in this document. Should you have detailed questions pertaining to the information contained in this document, you may contact Michco, or the manufacturer which provided the original information in this electronic deliverable. Michco's only part in this electronic deliverable was the electronic assembly process. By providing this manual on line we are not guaranteeing parts availability.

You may contact Michco through the following methods:

Phone (517) 484-9312 or (800) 331-3339

2011 N. High St. -- Lansing, Michigan -- 48906

Fax: (517) 484-9836

Email: CustServe@Michco.com

Web site: www.Michco.Com

Parts Web site: www.FloorMachineParts.Com

Order Parts on Line at:

www.FloorMachineParts.Com

Directly to Parts & Service:

By Email: **Shop@Michco.com**

By Fax: (517) 702-2041

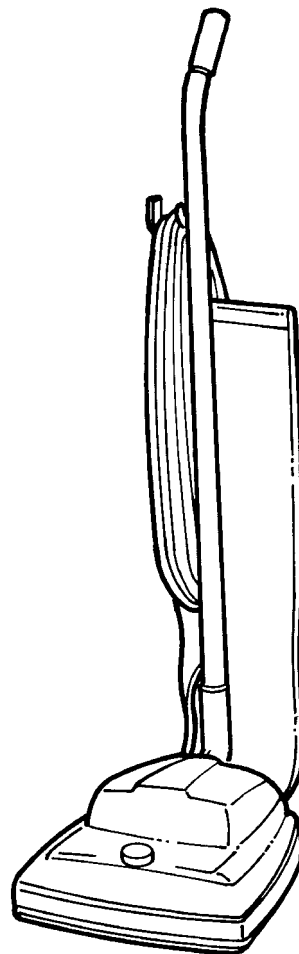
By Voice: Use numbers above.

Serving the Cleaning Industry Since 1922

Notice: All copyrighted material remains property of original owners, all trademarks are property of respective owners. Manuals are subject to Manufacturer's reproduction limitations. Originals or reproductions were provided by manufacturers through a request. We make no warranty as to the correctness of information provided in this document and you assume all risk. By placing these manuals on line we are not declaring our corporation to be an manufacturer authorized dealer or provider, please check our web site for authorized manufacturers we represent.

Commercial Upright Vacuum Cleaner

Parts List Manual



608742
Rev. 02 (10-2007)



STANDARD PARTS

When ordering replacement parts, use the illustrated parts lists section in this manual. Before ordering parts or supplies, be sure to have your machine model number and serial number available. Parts and supplies may be ordered by phone or mail from any authorized parts and service center, distributor or from any of the manufacturer's subsidiaries.

This machine will provide excellent service. However, the best results will be obtained at minimum costs if:

- The machine is operated with reasonable care.
- The machine is maintained regularly - per the machine maintenance instructions provided.
- The machine is maintained with manufacturer supplied or equivalent parts.

MACHINE DATA

Please fill out at time of installation for future reference.

Model No.- _____

Install. Date - _____

Serial No.- _____

Tennant Company

PO Box 1452

Minneapolis, MN 55440

Phone: (800) 553-8033 or (763) 513-2850

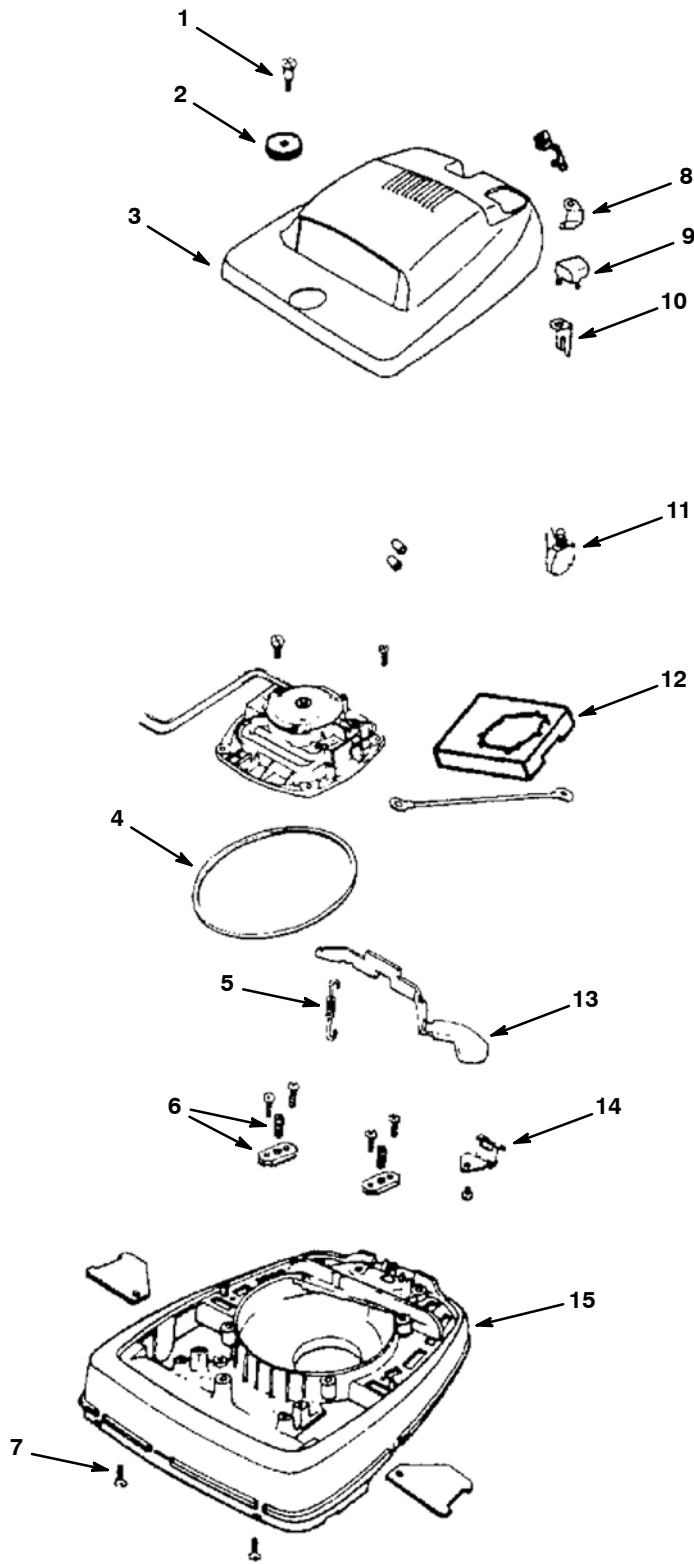
©2007 Tennant Company. All rights reserved.

Printed in U.S.A.

TABLE OF CONTENTS

BASE & HOOD GROUP	4
BRUSHROLL & FURNITURE GUARD GROUP .	6
MOTOR GROUP	8
HANDLE GROUP	10
BAG & WIRING DIAGRAM GROUP	12

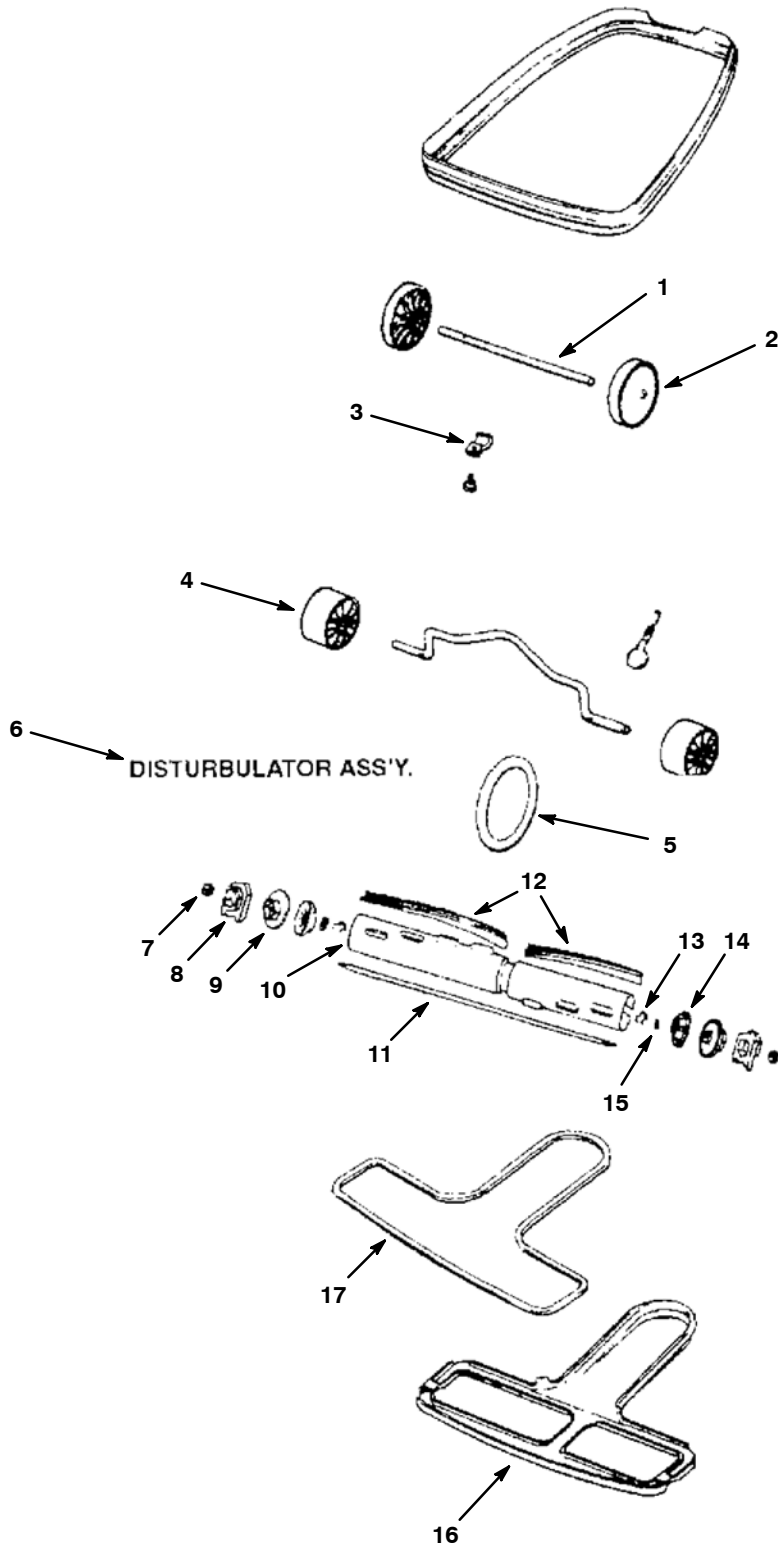
BASE & HOOD GROUP



BASE & HOOD GROUP

Ref.	Part No.	Description	Qty.
1	613031	Bolt, Shld	1
2	220200	Knob Assy [Tv1200]	1
3	220201	Vr, Cover, Hood, W/ Labels [Tv1200]	1
4	605127	Gasket, Mount, Motor	1
5	605129	Spring, Pedal, Foot	1
6	20730	Clamp, W/ Screw [1pc=Pkg Of 6]	1
7	220211	Screw	2
8	220203	Bracket, Bshg	1
9	220204	Switch, Push	1
10	220205	Clip, Switch	1
11	220208	Switch, Push	1
12	220229	Separator Assy, Air	1
13	605128	Pedal, Foot	1
14	209659	Adapter Retainer Spring	1
15	602518	Base Assy, Blue	1

BRUSHROLL & FURNITURE GUARD GROUP



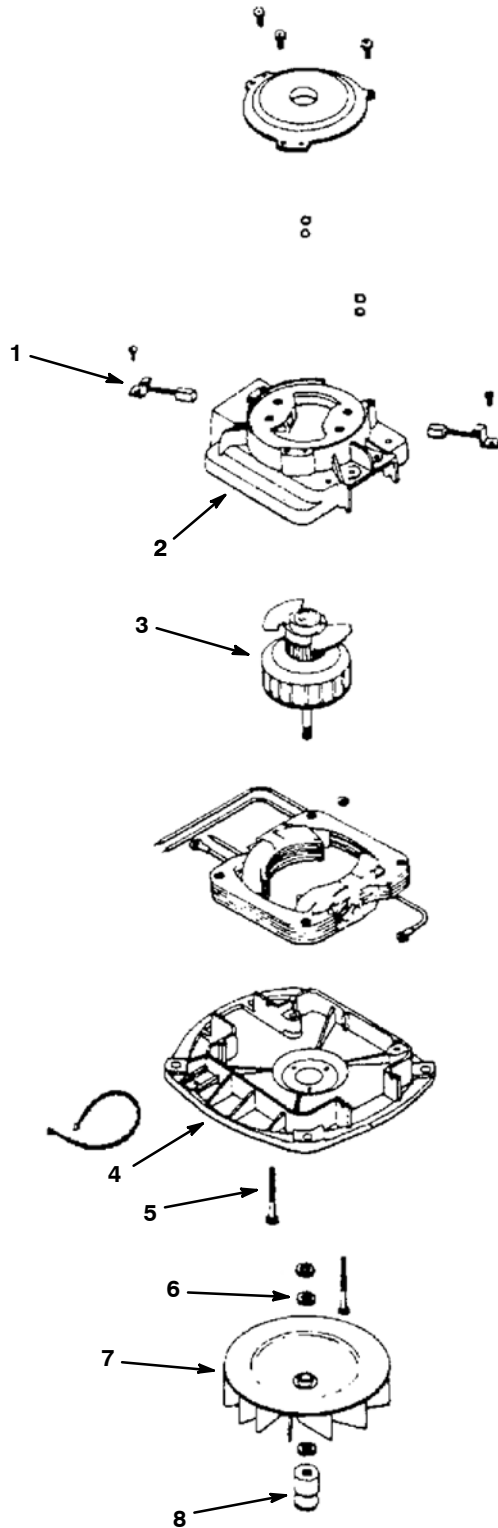
BRUSHROLL & FURNITURE GUARD GROUP

Ref.	Part No.	Description	Qty.	
1	605131	Axle, Rear	1	
2	13877	Wheel, Rear	2	
3	605132	Clip, Axle	1	
4	611931	Wheel, Front [Tv1200]	2	
5	13710	Belt, Drive, Brush [Tv1200]	1	
▽	6	21636	Vr, Brush Assy	1
▲	7	220215	Nut, Lock [Pkg/10]	1
▲	8	N/A	Cap Cover (2 used)	2
▲	9	605245	Cap, Distributor [Tv1200]	2
▲	10	220214	Vr, Tube, Brush	1
▲	11	N/A	Shaft	1
▲	12	605274	Strip Set, Bristle [1pc=2strips]	1
▲	13	220216	Ring, Clip [Pkg/10]	1
▲	14	220219	Bearing, Retainer	2
▲	15	220218	Washer Felt	2
▽	16	21637	Plate, Bottom	1
▲	17	13718	Tape, Foam	1

▽ ASSEMBLY

▲ INCLUDED IN ASSEMBLY

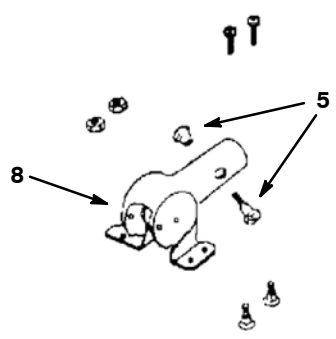
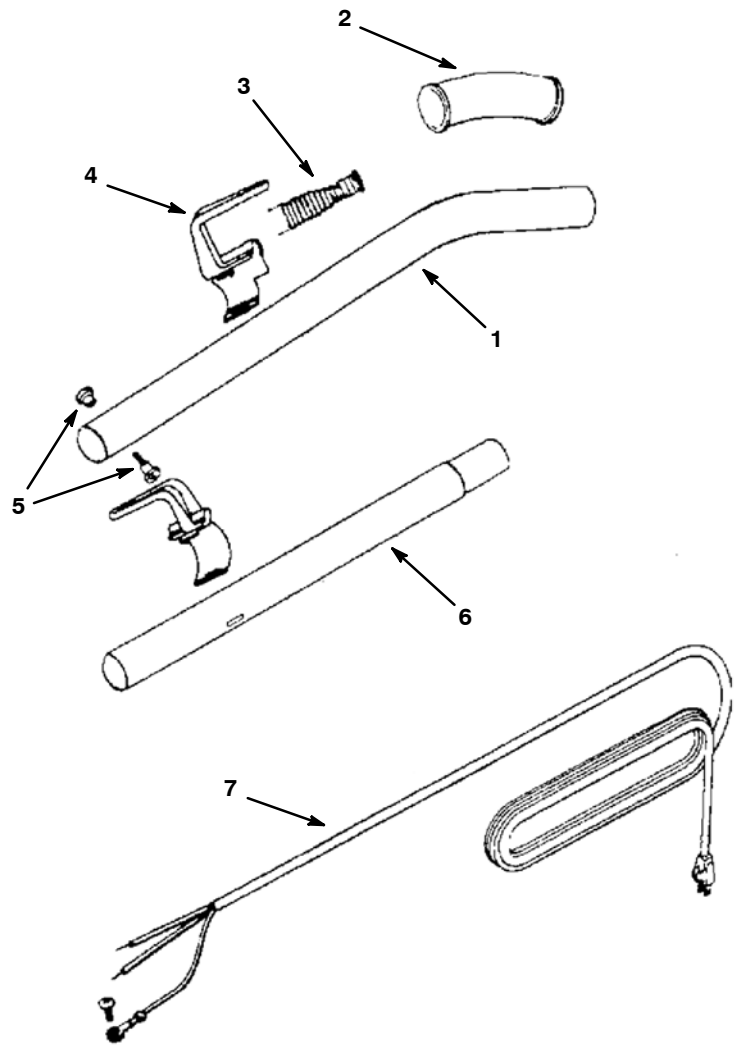
MOTOR GROUP



MOTOR GROUP

Ref.	Part No.	Description	Qty.
1	605133	Brush, Carbon, Motor	2
2	13752	Cover, Motor	1
3	27776	Fan Assy, W/ Brg	1
4	605150	Bearing Assy, W/ Retainer	1
5	20757	Screw	1
6	20758	Washer, Fan	3
7	20759	Blower, Fan, Motor	1
8	20760	Pulley, Fan	1

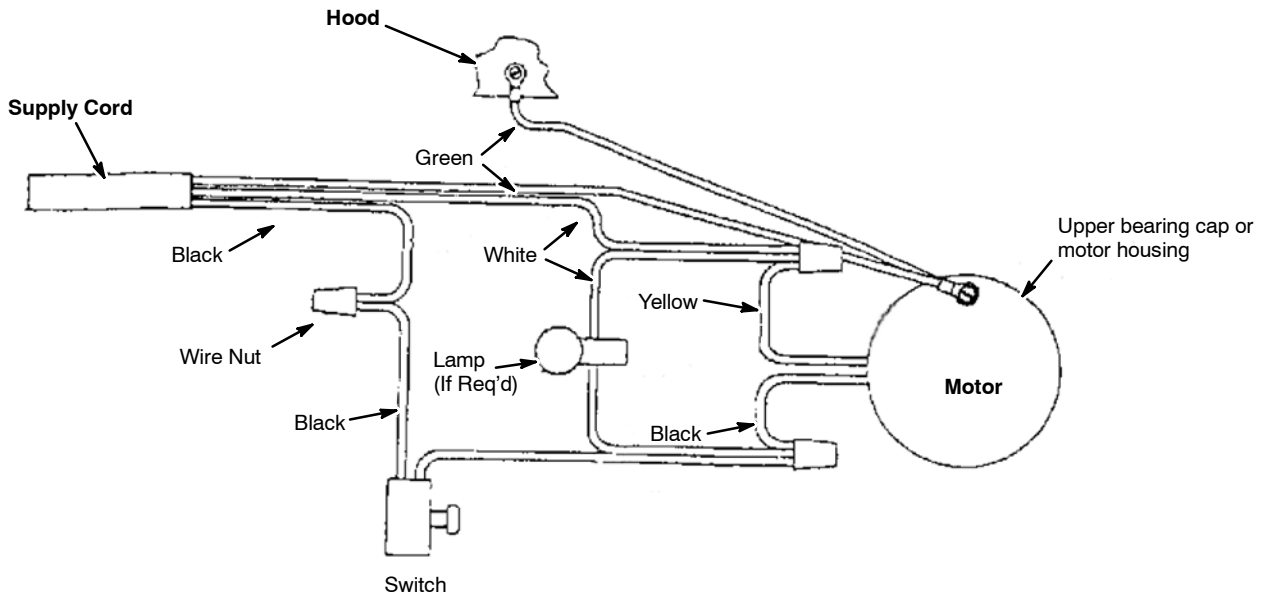
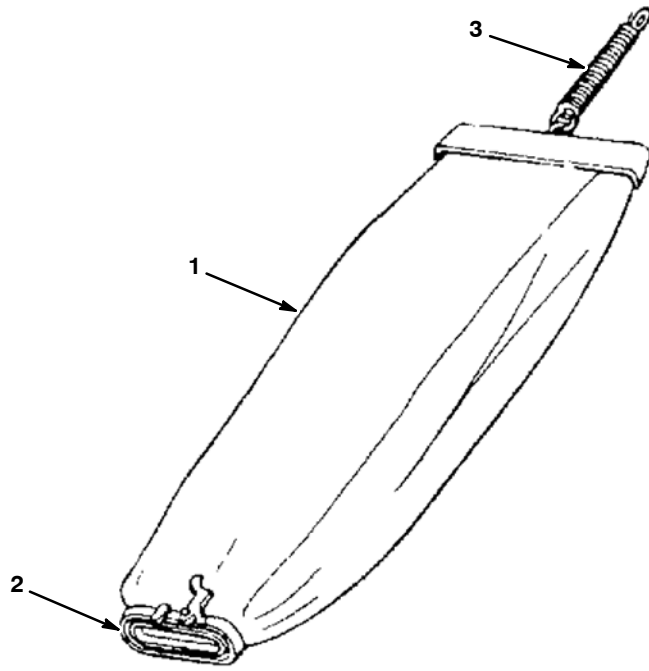
HANDLE GROUP



HANDLE GROUP

	Ref.	Part No.	Description	Qty.
▽	1	20764	Handle Assy, Upper	1
▲	2	21658	Grip, Handle	1
	3	20762	Spring, Handle	1
	4	20763	Hook Cord (1 Pair)	1
	5	605275	Screw Assy, W/ Nut	2
	6	611937	Tube, Handle, Lower [Tv1200]	1
	7	20768	Cord Assy, Ele, 50ft	1
	8	20769	Handle Assy, Soc	1

BAG & WIRING DIAGRAM GROUP



BAG & WIRING DIAGRAM GROUP

Ref.	Part No.	Description	Qty.
1	14059	Bag Assy, Complt [W/ Zipper, 53506-7]	1
2	20775	Adapter Assy, Bag	1
3	605135	Spring, Bag	1
N/S	605142	Bag, Fltr, Paper [1 = 1pkg Of 3 Bags]	1