



Electronic Service Manuals

This electronic document is provided as a service to our customers. We do not create the contents of the information contained in this document. Should you have detailed questions pertaining to the information contained in this document, you may contact Michco, or the manufacturer which provided the original information in this electronic deliverable. Michco's only part in this electronic deliverable was the electronic assembly process. By providing this manual on line we are not guaranteeing parts availability.

You may contact Michco through the following methods:

Phone (517) 484-9312 or (800) 331-3339

2011 N. High St. -- Lansing, Michigan -- 48906

Fax: (517) 484-9836

Email: CustServe@Michco.com

Web site: www.Michco.Com

Parts Web site: www.FloorMachineParts.Com

Order Parts on Line at:

www.FloorMachineParts.Com

Directly to Parts & Service:

By Email: **Shop@Michco.com**

By Fax: (517) 702-2041

By Voice: Use numbers above.

Serving the Cleaning Industry Since 1922

Notice: All copyrighted material remains property of original owners, all trademarks are property of respective owners. Manuals are subject to Manufacturer's reproduction limitations. Originals or reproductions were provided by manufacturers through a request. We make no warranty as to the correctness of information provided in this document and you assume all risk. By placing these manuals on line we are not declaring our corporation to be an manufacturer authorized dealer or provider, please check our web site for authorized manufacturers we represent.

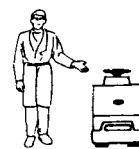
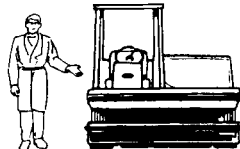
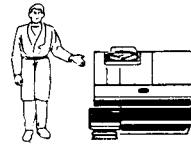
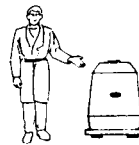
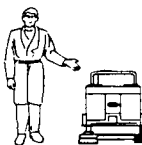
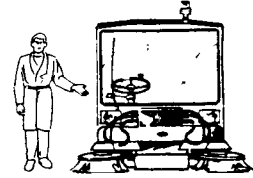
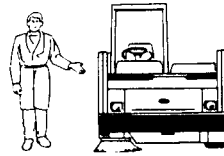
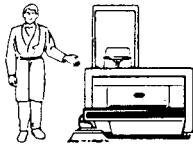
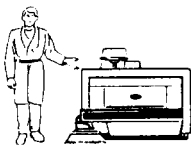
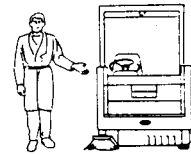
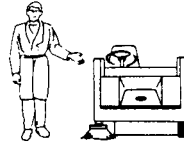
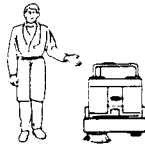
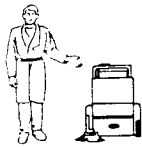


1186E

SWEEPER/SCRUBBER



MP 091 - 2
rev: 07 - 91







POWER SWEEPER/SCRUBBER

MANUFACTURED BY TENNANT N.V., UDEN, THE NETHERLANDS, A SUBSIDIARY OF TENNANT COMPANY, MINNEAPOLIS, MINNESOTA, USA.

A complete and illustrated machine parts manual in three languages is provided with each new TENNANT Power Sweeper/Scrubber.

On the following pages you will find the information how to order your spare parts.

You may order parts and supplies directly from the authorized distributor.

All orders will receive prompt attention.

Your TENNANT will give you excellent service and cleaning results, and: save you maintenance expenses.

However, the best results will be obtained at a minimum of costs, if:

- 1) YOU OPERATE YOUR MACHINE WITH REASONABLE CARE
- 2) YOU MAINTAIN YOUR MACHINE REGULARLY.
- 3) THE MACHINE IS MAINTAINED WITH TENNANT N.V. SUPPLIED OR EQUIVALENT PARTS.

Contact your supplier for information or assistance concerning your TENNANT.

TABLE OF CONTENTS

This manual contains the sections only required for this machine model.

MACHINE PARTS LIST	: SECTION C
ELECTRIC MOTOR PARTS LIST	: SECTION D
ACCESSORIES	: SECTION G
CROSS REFERENCE	: SECTION H

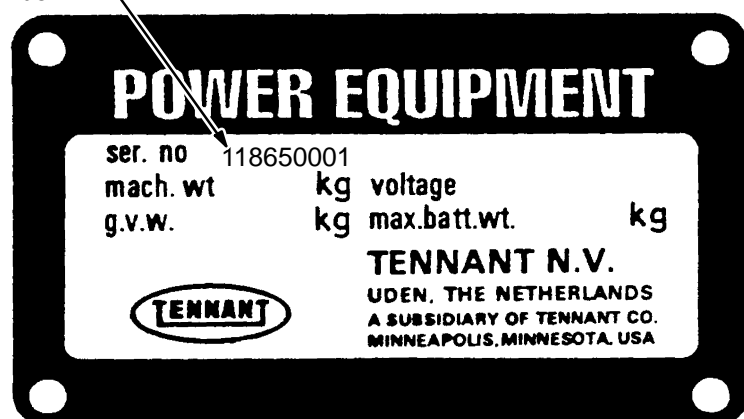
INSTRUCTIONS FOR ORDERING SPARE PARTS

Order spare parts and supplies directly from your authorized TENNANT representative. Before ordering repair parts or supplies be sure to have your machine model number and serialnumber at hand. Fill out the datablock below for future reference.

MACHINE DATA	
Machine model	1186E
Machine serialnumber	18653
Optional number(s)	
Engine serialnumber	- - -
Service representative	
Service phonenumber	
Date of installation	
Manual number	MP091-2
Published	07-91

REFER TO TENNANT DATA PLATE

1. Always give us: - the Serialnumber



2. Notice the "From - To Machine Serialnumbers at the top of each page. Check with your machine serialnumber the page covering your machine.
3. An asterisk shown in front of a reference number means that this particular partnumber has been changed. Into which partnumber and from which serialnumber on this part has been changed is shown below, behind the corresponding asterisk and reference number.
4. Give identified partnumber, description and quantity needed of each item on order. NEVER order by reference number or illustrated figure number only.
5. If old part cannot be identified, contact your TENNANT representative for help or sent it to us as a sample with quantity needed specified on order.
6. State definite shipping instructions including shipping address and/or billing address if there is a difference.
7. We shall be glad to quote on any part or group of parts at your specific request.

IMPORTANT: BE CERTAIN TO LIST THE SERIAL NUMBER OF YOUR MACHINE WHEN ORDERING PARTS, THIS IS ESSENTIAL!



FIG. 1.0.0. MAIN FRAME - HAUPTTRAHMEN - CHASSIS

	Serial Number / Seriennummer / Numéro de Serie		
MODEL 1186E	from/ab/du	186530001	to/bis/à
MODEL	from/ab/du		to/bis/à

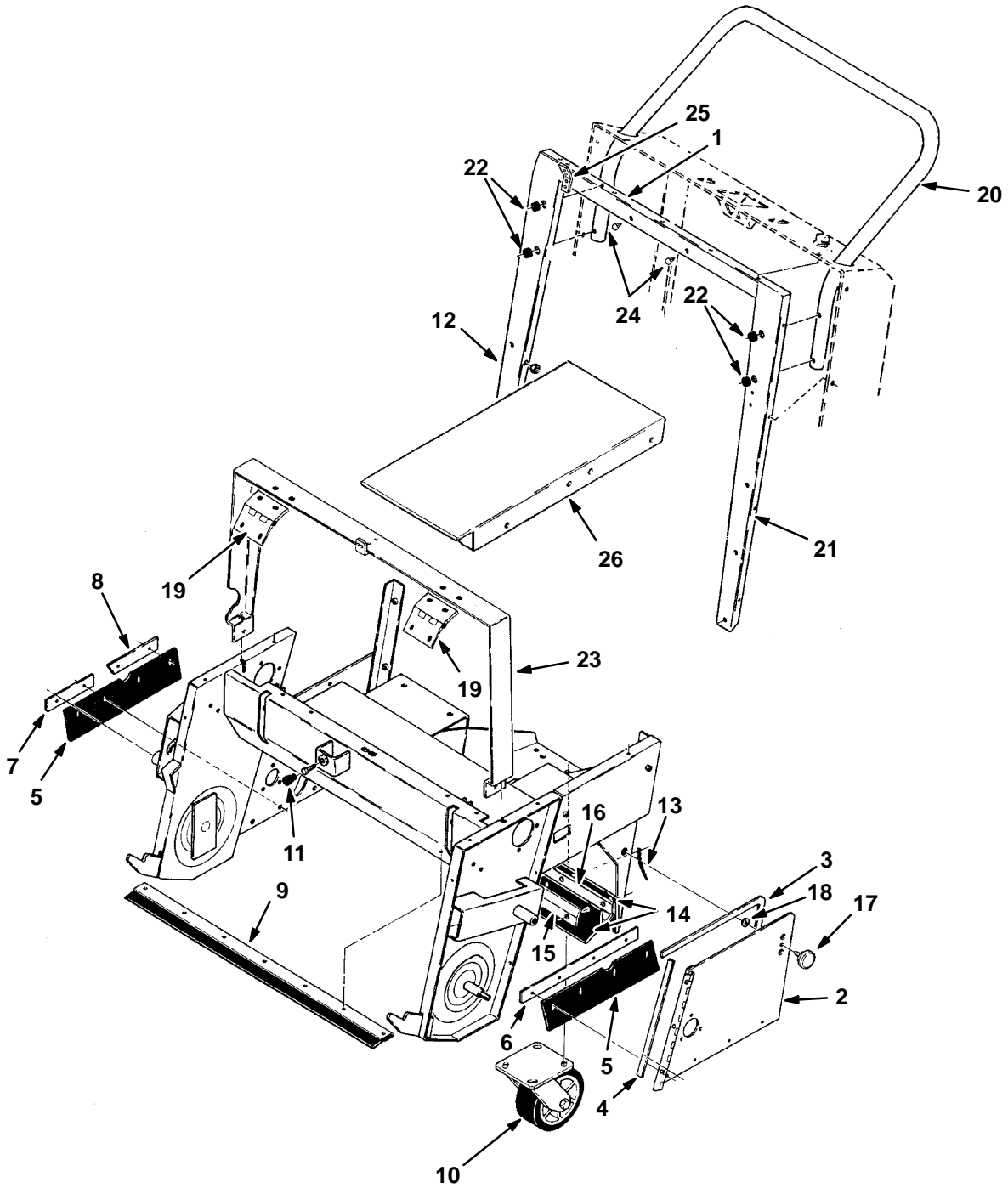


FIG. 1.0.0. MAIN FRAME - HAUPTTRAHMEN - CHASSIS

		Serial Number / Seriennummer / Numéro de Serie		
MODEL	1186E	from/ab/du	186530001	to/bis/à
MODEL		from/ab/du		to/bis/à

Ref.	Tennant N°	Description	Bezeichnung	Designation	Qty
1	97527	BRACKET, Top	HALTERUNG	SUPPORT	1
2	28904-5	DOOR Assy	SEITENBLECH	CARTER	1
3	C410112-50	SEAL, Foam	DICHTUNG	JOINT	1
4	C410112-25	SEAL, Foam	DICHTUNG	JOINT	1
5	28072	SKIRT, Side	STAUBSCHÜRZE	JUPE	2
6	97170	RETAINER	HALTER	SUPPORT	1
7	96921	RETAINER, Side	HALTER, Seite	BARRE	1
8	96920	RETAINER, Side	HALTER, Seite	BARRE	1
9	28081	LIP, Assy	BEHÄLTERLEISTE	JUPE	1
10	92764	CASTER	LAUFRAD	ROULETTE	1
11	01318	TIP, Rubber	GUMMISPITZE	POINTE	1
12	97528	LEG, RH	STUTZ, Rechts	ETAI, à Droite	1
13	C250108-15	CHAIN, Static	ANTISTATIKKETTE	CHAINE D'ANTISTATIQUE	1
14	28071	SKIRT, Rear	STAUBSCHÜRZE	JUPE	2
15	97518	RETAINER, Rear	HALTER, Hinten	BARRE	2
16	97518-1	RETAINER, Rear	HALTER, Hinten	BARRE	1
17	29982	KNOB	KNOPF	BOUTON	1
18	26015	FASTENER	VERSCHLUß	ATTACHE	1
19	47974	HINGE	SCHARNIER	CHARNIERE	2
20	96979	HANDLE	GRIFF	POIGNEE	1
21	97529	LEG, LH	STUTZ, Links	ETAI, à Gauche	1
22	10632-12	GROMMET	TÜLLE	TULLE	4
23	97506	LINTEL	QUERTRÄGER	LINTEAU	1
24	96713	MOUNT, Tie	BEFESTIGUNG	ATTACHE	1
25	97832	BRACKET, Connec.	HALTERUNG	SUPPORT	1
26	99133	BRACE, Center	VERSTEIFUNG	RENFORT	1

FIG. 1.0.3. COVERS - DECKELS - COUVERCLES

	Serial Number / Seriennummer / Numéro de Serie		
MODEL 1186E	from/ab/du	186530001	to/bis/à
MODEL	from/ab/du		to/bis/à

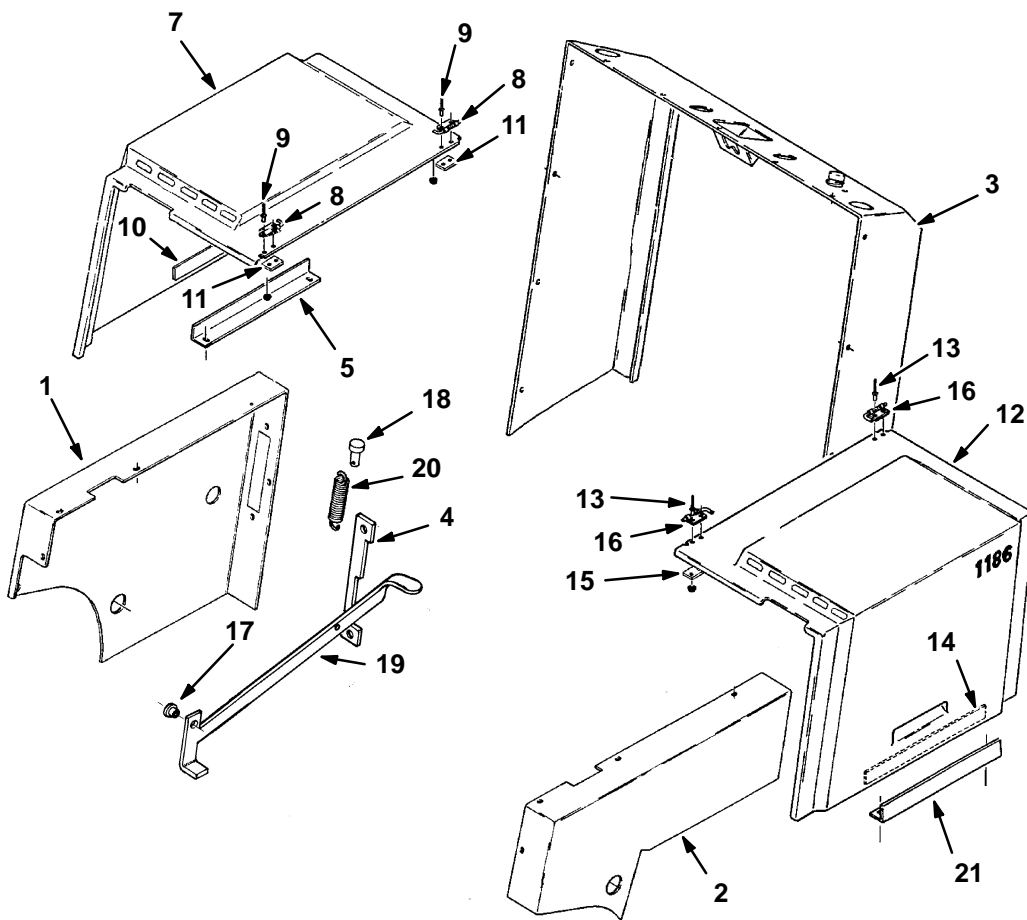


FIG. 1.0.3. COVERS - DECKELS - COUVERCLES

		Serial Number / Seriennummer / Numéro de Serie		
MODEL	1186E	from/ab/du	186530001	to/bis/à
MODEL		from/ab/du		to/bis/à

Ref.	Tennant N°	Description	Bezeichnung	Designation	Qty
1	97164	COVER, RH	ABDECKPLATTE, R	COUVERCLE, Droite	1
2	97165	COVER, LH	ABDECKPLATTE, L	COUVERCLE, à Gauche	1
3	99137	PANEL, Instr.	ARMATURENBRETT	TABLEAU DE BORD	1
4	97646	HOLDER, Brake	HALTER	SUPPORT	1
5	99135	RETAINER, RH	HALTER	SUPPORT	1
6	C089004-10	TRIM	SCHUTZBAND	PROTECTION	1
7	99214	COVER Assy, RH	DECKEL, Rechts	COUVERCLE à Droite	1
8	50835	HINGE, Pull Pin	ZUGSTIFTSCHARNIER	CHARNIÈRE D'AXE	2
9	93790	RIVET	NIET	RIVET	4
10	09367	STRIP, Magnetic	MAGNETSTREIFEN	RUBAN D'AIMAN	1
11	99186	RETAINER	HALTER	SUPPORT	2
12	99215	COVER Assy, LH	DECKEL, Links	COUVERCLE, à Gauche	1
13	93790	RIVET	NIET	RIVET	4
14	09367	STRIP, Magnetic	MAGNETSTREIFEN	RUBAN D'AIMAN	1
15	99186	RETAINER	HALTER	SUPPORT	2
16	50832	HINGE, Pull Pin	ZUGSTIFTSCHARNIER	CHARNIÈRE D'AXE	2
17	28008	BUSHING	BUCHSE	BAGUE	1
18	14605	PIN, Clevis	BOLZEN	GOUPILLE	1
19	97070	PEDAL, Brake	BREMSPEDAL	PEDALE DE FREINAGE	1
20	01053	SPRING	FEDER	RESSORT	1
21	97211	RETAINER, LH	HALTER, Links	SUPPORT, à Gauche	1

FIG. 2.5.0. DRIVE SYSTEM - GETRIEBESYSTEM - TRANSMISSION

	Serial Number / Seriennummer / Numéro de Serie		
MODEL 1186E	from/ab/du	186530001	to/bis/à
MODEL	from/ab/du		to/bis/à

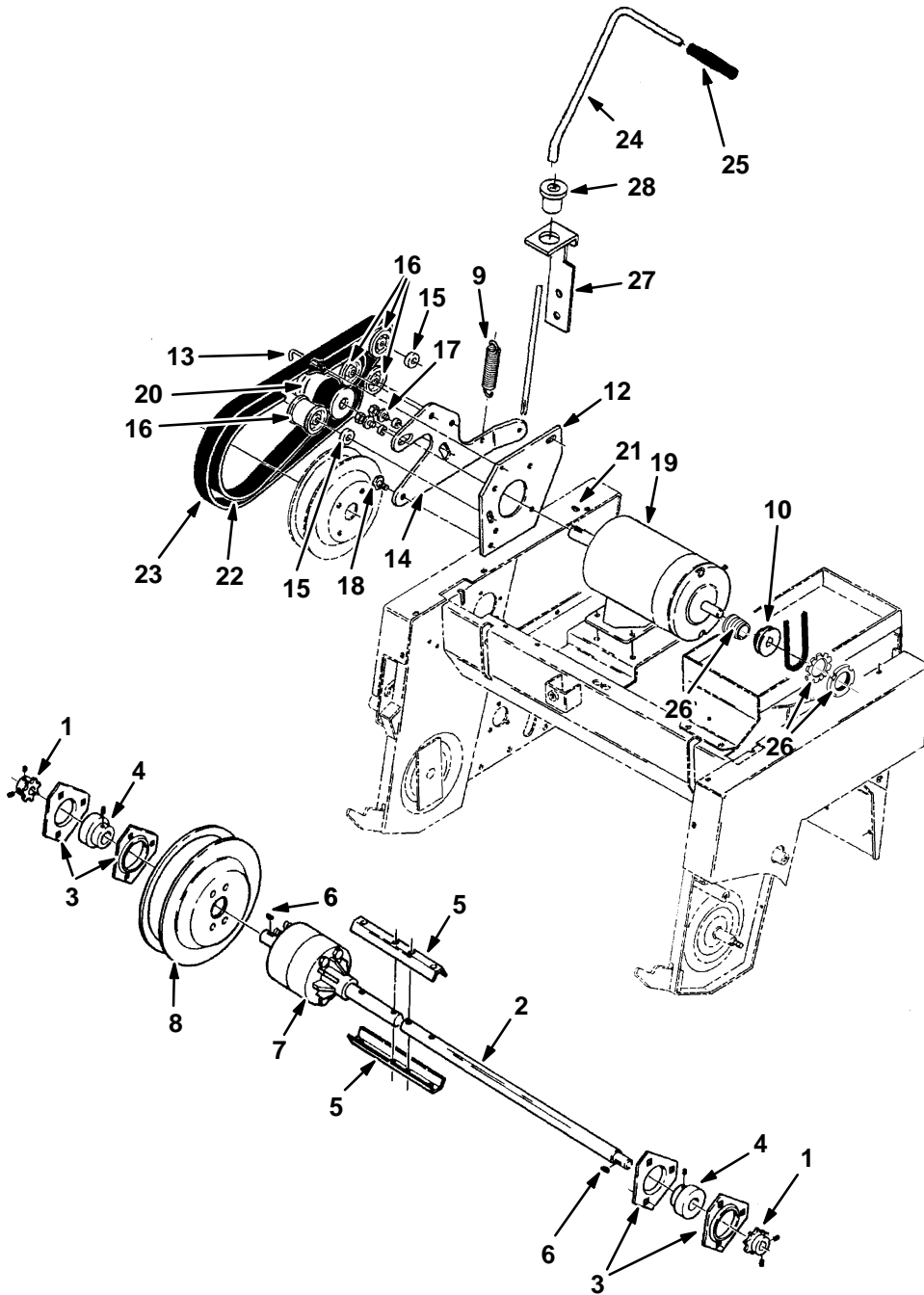


FIG. 2.5.0. DRIVE SYSTEM - GETRIEBESYSTEM - TRANSMISSION

		Serial Number / Seriennummer / Numéro de Serie		
MODEL	1186E	from/ab/du	186530001	to/bis/à
MODEL		from/ab/du		to/bis/à

Ref.	Tennant N°	Description	Bezeichnung	Designation	Qty
1	97167	SPROCKET	ZAHNRAD	ROUE DENTÉE	2
2	08152	COUNTERSHAFT	VORLEGEWELLE	ARBRE INTERMÉDIAIRE	1
3	51137	FLANGE, Bearing	FLANSCH	COLLET	4
4	23624	BEARING & COLLAR	LAGER	ROULEMENT	2
5	08145	COUPLING, Half	VERBIND.HÄLFTE	ACCOUPLLEMENT	2
6	00500-1	KEY, Woodruff	KEIL	CLAVETTE	2
	08082	DIFFERENTIAL Assy	DIFFERENTIALSATZ	ENS. DU DIFFERENTIELLE	1
7	12960	DIFFERENTIAL	DIFFERENTIAL	DIFFERENTIELLE	1
8	30147	SHEAVE, Flat	RIEMENSCHLEIBE	POULIE	1
9	29545	SPRING, Tension	FEDER	RESSORT	1
10	97151	SHEAVE	RIEMENSCHLEIBE	POULIE	1
12	96906	PLATE	PLATTE	PLAQUE	1
13	96647	RETAINER	HALTER	SUPPORT	1
14	96909	LEVER	HEBEL	LEVIER	1
15	97168	SPACER	DISTANZSTÜCK	ENTRETOISE	2
16	97016	SHEAVE	RIEMENSCHLEIBE	POULIE	4
17	97870	SLEEVE	ÜBERZUG	MANCHON	2
18	97045	SCREW	SCHRAUBE	VIS	1
19	97220	MOTOR, Electric	MOTOR	MOTEUR	1
20	97237	SHEAVE, Comb.	RIEMENSCHLEIBE	POULIE	1
21	00933	KEY, Square	KEIL	CLAVETTE	1
22	01119	BELT, Flat For.	FLACHRIEMEN	COURROIE PLAT	1
23	01120	BELT, Flat Rev.	FLACHRIEMEN	COURROIE PLAT	1
24	97005	ROD, Directional	STANGE	BIELLE	1
25	08086	GRIP, Handle	GRIFF	POIGNEE	1
26	92676	SLEEVE	HÜLSE	MANCHON	1
27	97535	BRACKET	HALTERUNG	SUPPORT	1
28	29991	BUSHING	BÜCHSE	BAGUE	1

FIG. 2.5.3. FRONT WHEELS - VORDERRAD - ROUE AVANT

	Serial Number / Seriennummer / Numéro de Serie		
MODEL 1186E	from/ab/du	186530001	to/bis/à
MODEL	from/ab/du		to/bis/à

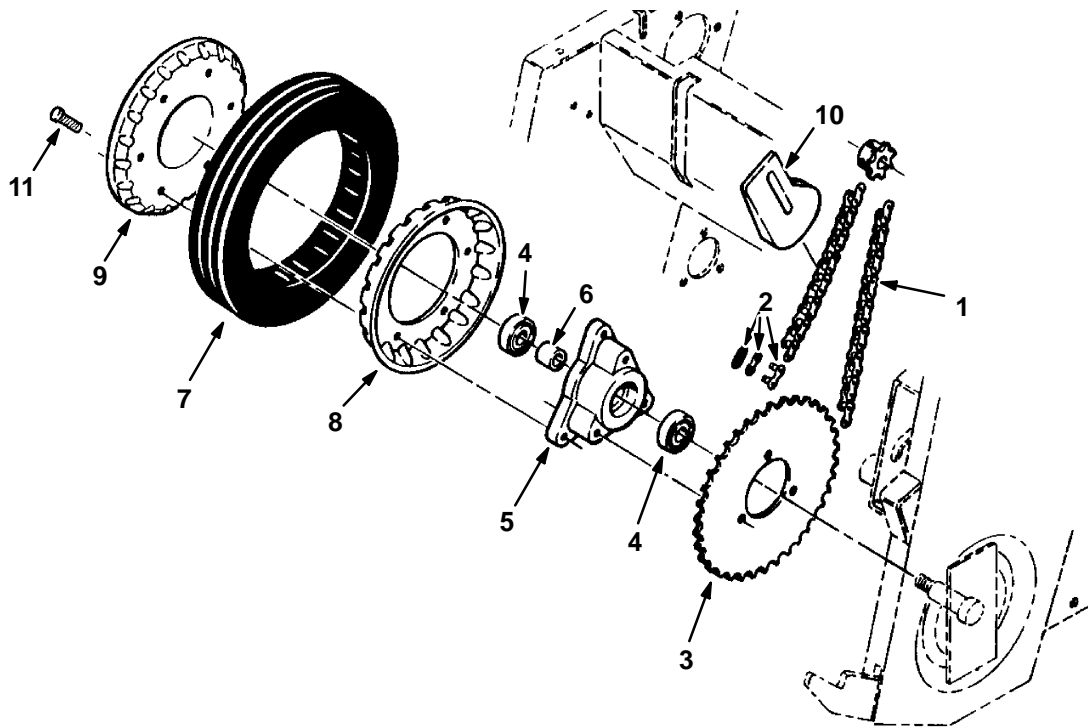


FIG. 2.5.3. FRONT WHEELS - VORDERRAD - ROUE AVANT

		Serial Number / Seriennummer / Numéro de Serie		
MODEL	1186E	from/ab/du	186530001	to/bis/à
MODEL		from/ab/du		to/bis/à

Ref.	Tenant N°	Description	Bezeichnung	Designation	Qty
1	94458	CHAIN	KETTE	CHAINE	2
2	93703	LINK, Chain	GLIED	ANNEAU	2
3	28865	SPROCKET	ZAHNRAD	ROUE DENTÉE	2
4	28010	BEARING	LAGER	ROULEMENT	4
5	97073	HUB, Wheel	NABE	MOYEU	2
6	28014A	SLEEVE	HÜLSE	MANCHON	2
7	28546	TIRE	REIFEN	PNEU	2
8	28211	RIM, Half	FELGEHÄLFTE	DEMI-JANTE	2
9	28128	RIM, Half	FELGEHÄLFTE	DEMI-JANTE	2
10	08142	GUIDE, Chain	KETTENFÜHRUNG	GUIDE DE CHAÎNE	2
11	27970	SCREW, Lock	SCHRAUBE	VIS	6

FIG. 3.0.0. HOPPER - SCHMUTZBEHÄLTER - BAC À DÉCHETS

	Serial Number / Seriennummer / Numéro de Serie		
MODEL 1186E	from/ab/du	186530001	to/bis/à
MODEL	from/ab/du		to/bis/à

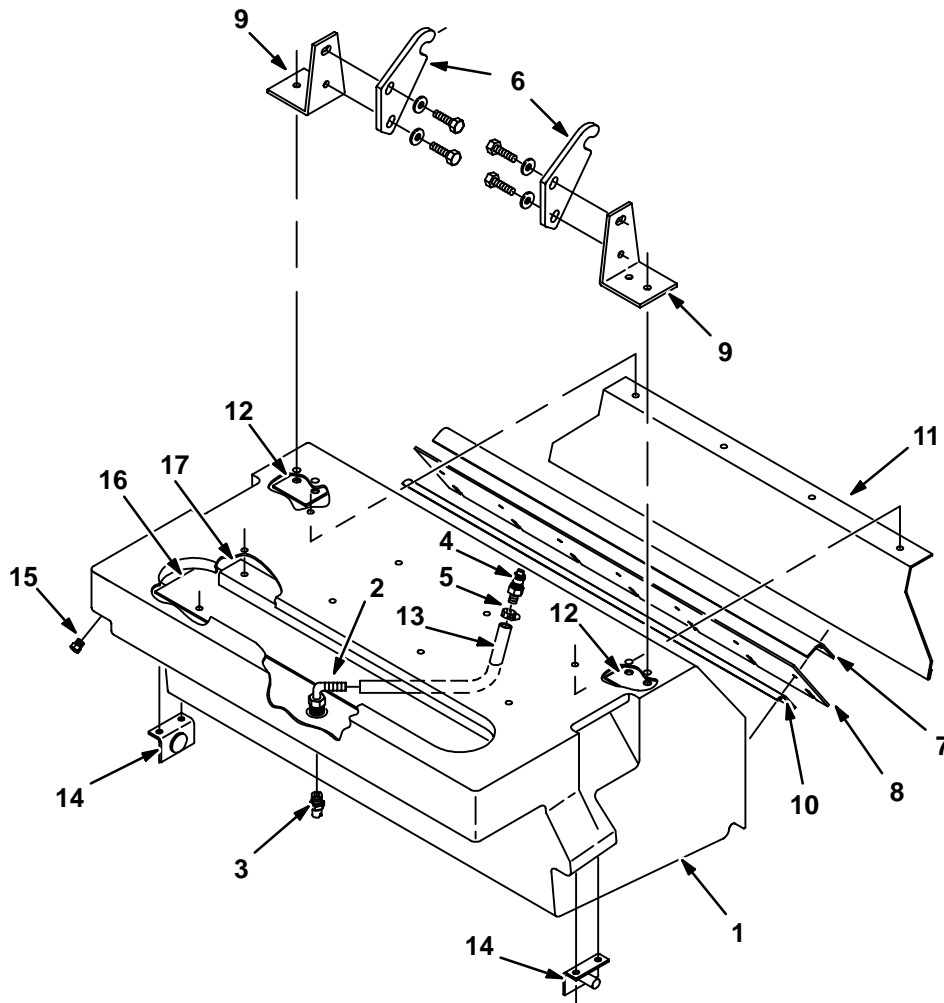


FIG. 3.0.0. HOPPER - SCHMUTZBEHÄLTER - BAC À DÉCHETS

		Serial Number / Seriennummer / Numéro de Serie		
MODEL	1186E	from/ab/du	186530001	to/bis/à
MODEL		from/ab/du		to/bis/à

Ref.	Tenant N°	Description	Bezeichnung	Designation	Qty
1	09363	HOPPER	SCHMUTZBEHÄLTER	BAC À DÉCHETS	1
2	03401	FITTING, Elbow	KNIEKUPPLUNG	RACCORD COUDE	1
3	50906	NOZZLE	DÜSE	DIFFUSSEUR	1
4	12642	FITTING, Quick	SCHNELLKUPPLUNG	RACCORD RAPIDE	1
5	43844	CLAMP	KLEMME	COLLIER	2
6	96907	PLATE, Catch	VERSCHLUßPLATTE	DISPOSITIF D'ARRÉT	2
7	09483	ANGLE, Hopper Lip	HALTER	SUPPORT	1
8	50775	LIP Assy	BEHÄLTERLEISTE	JUPE	1
9	09482	BRACKET	HALTERUNG	SUPPORT	2
10	41306	ANGLE, Lower	HALTERUNG	SUPPORT	1
11	99158	ANGLE, Deflector	HALTERUNG	SUPPORT	1
12	99161	PLATE, Nut	MÜTTERPLATTE	PLAQUE D'ÉCROU	2
13	C089011-95	HOSE	SCHLAUCH	DURITE	1
14	09481	BRACKET	HALTERUNG	SUPPORT	2
15	50896	FITTING, Plug	STOPFEN	BOUCHON	1
16	61086	STRAP, Deflector	BAND	ATTACHE	1
17	99157	ANGLE, Stiffener	HALTERUNG	SUPPORT	1

FIG. 3.1.1. DUSTFILTER - STAUBFILTER - FILTRE DE POUSSIÈRE

	Serial Number / Seriennummer / Numéro de Serie		
MODEL 1186E	from/ab/du	186530001	to/bis/à
MODEL	from/ab/du		to/bis/à

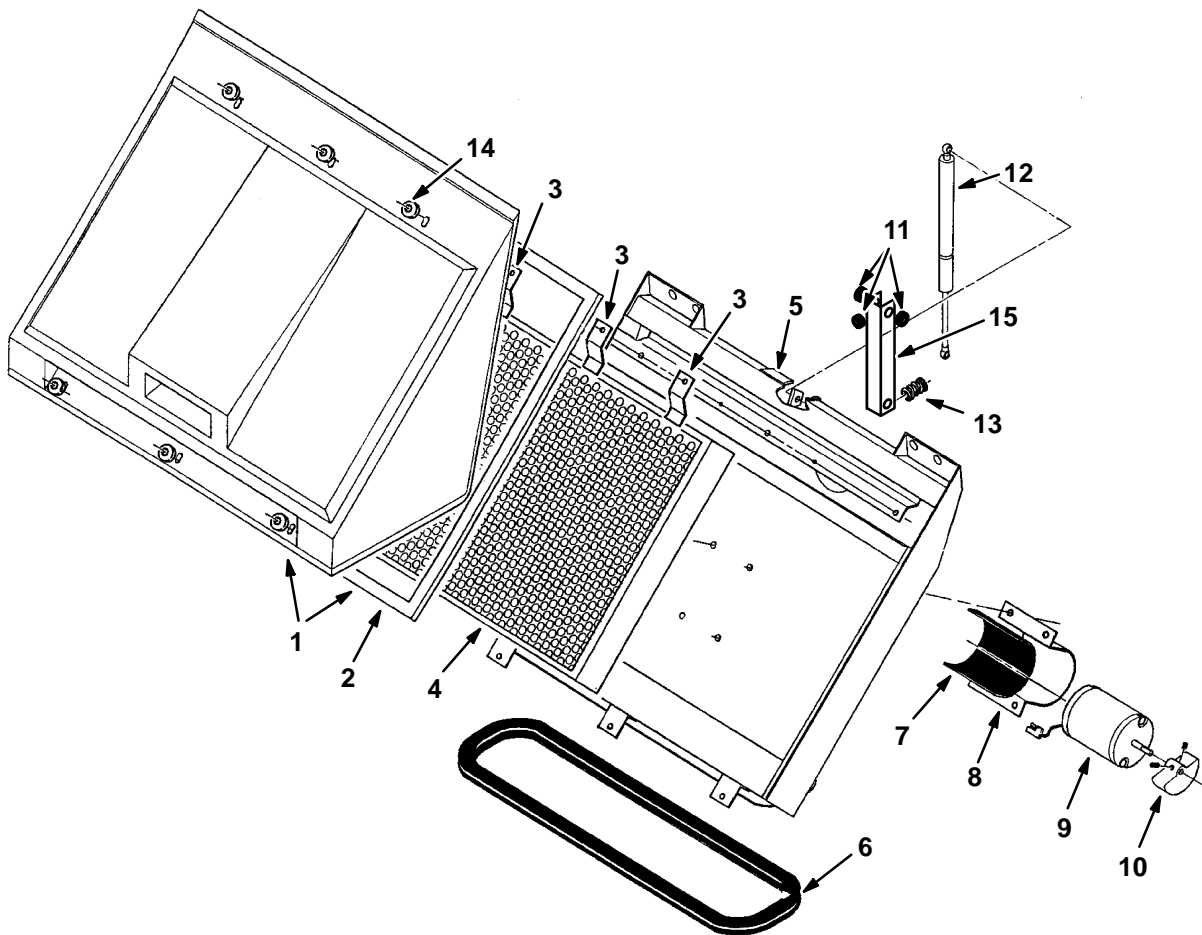


FIG. 3.1.1. DUSTFILTER - STAUBFILTER - FILTRE DE POUSSIÈRE

		Serial Number / Seriennummer / Numéro de Serie		
MODEL	1186E	from/ab/du	186530001	to/bis/à
MODEL		from/ab/du		to/bis/à

Ref.	Tennant N°	Description	Bezeichnung	Designation	Qty
1	96390	COVER Assy	DECKELSATZ	ENS. DE COUVERCLE	1
2	C410118-235	SEAL, Cover	DICHTUNG	JOINT	1
3	96903	BRACKET	HALTERUNG	SUPPORT	3
4	96751	FILTER Assy	FILTERSATZ	ENS. DU FILTRE	1
5	96902	BOX, Filter	GEHÄUSE	CORPS DE FILTRE	1
6	C410123-140	SEAL	DICHTUNG	JOINT	1
7	44893	PAD, Rubber	DÄMPFER	AMORTISSEUR	1
8	97037	STRAP, Shaker	BAND	ATTACHE	1
9	54121	MOTOR, Electric	RÜTTELMOTOR	MOTEUR SECOUEUR	1
10	96596	WEIGHT, Eccentric	GEWICHT	POIDS	1
11	97310	GROMMET	TÜLLE	TULLE	3
12	97240	SPRING, Gas	GASFEDER	RESSORT	1
13	97311	SPRING	FEDER	RESSORT	1
14	96522	KNOB, M6	KNOPF	BOUTON	6
15	97205	SUPPORT	HALTER	SUPPORT	1

FIG. 3.1.2. VACUUM FAN - ABSAUG VENTILATOR - TURBINE D'ASPIRATION

	Serial Number / Seriennummer / Numéro de Serie		
MODEL 1186E	from/ab/du	186530001	to/bis/à
MODEL	from/ab/du		to/bis/à

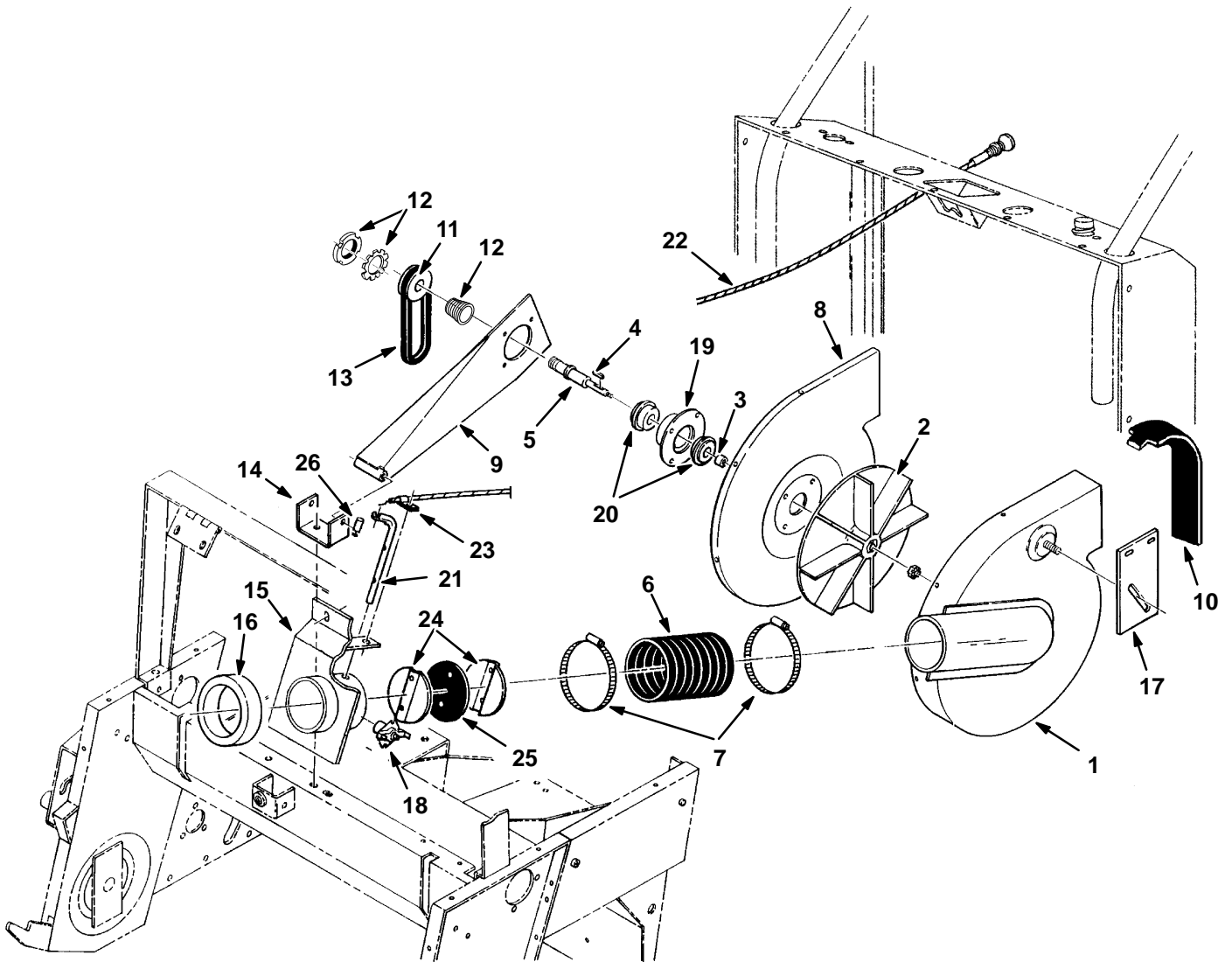


FIG. 3.1.2. VACUUM FAN - ABSAUG VENTILATOR - TURBINE D'ASPIRATION

		Serial Number / Seriennummer / Numéro de Serie		
MODEL	1186E	from/ab/du	186530001	to/bis/à
MODEL		from/ab/du		to/bis/à

Ref.	Tennant N°	Description	Bezeichnung	Designation	Qty
1	10352	HOUSING, Fan	GEHÄUSE	CARTER	1
2	08143	IMPELLER	FLÜGELRAD	ROTOR	1
3	10362	SLEEVE	ÜBERZUG	MANCHON	1
4	00960	KEY, Square	KEIL	CLAVETTE	1
5	97152	SHAFT	WELLE	ARBRE	1
6	C089001-10	HOSE	SCHLAUCH	TUYAU	1
7	23498	CLAMP	KLEMME	COLLIER	2
8	02221	PLATE, Backing	PLATTE	PLAQUE	1
9	97050	ARM, Mount	HALTERUNG	SUPPORT	1
10	01261	DEFLECTOR	ABLENKER	DEFLECTEUR	1
11	97151	SHEAVE	RIEMENSCHLEIBE	POULIE	1
12	92676	SLEEVE, Adaptor	ÜBERZUG	MANCHON	1
13	28755	V-BELT	KEILRIEMEN	COURROIE	1
14	97051	BRACKET	HALTERUNG	SUPPORT	1
15	97514	ADAPTOR	VERBINDUNGSSTÜCK	RACCORD	1
16	C410156-40	SLEEVE	ÜBERZUG	MANCHON	1
17	10224	PLATE, Backing	PLATTE	PLAQUE	1
18	02712	THERMOSTAT	THERMOSTAT	THERMOSTAT	1
19	41561	FLANGE, Bearing	FLANSCH	FLASQUE	1
20	32525	BEARING	LAGER	ROULEMENT	2
21	46141A	LEVER, Damp	HEBEL	LEVIER	1
22	46278	CABLE, Control	BETÄTIGUNGSSEIL	CÂBLE DE COMMANDE	1
23	26414	CLAMP, Cable	KABELSCHELLE	SERRE-CÂBLE	1
24	46140	DAMPENER	DÄMPFERPLATTE	PLAQUE D'ARMORTISSEUR	2
25	46139	SEAL	DICHTUNG	JOINT	1
26	43242	SWIVEL	DREHGELENK	PIVOT	1

FIG. 3.2.1. MAIN BRUSH DRIVE - KEHRWALZENANTRIEB - ENTRAÎNEMENT DE LA BROSSE PRINCIPALE

	Serial Number / Seriennummer / Numéro de Serie		
MODEL 1186E	from/ab/du	186530001	to/bis/à
MODEL	from/ab/du		to/bis/à

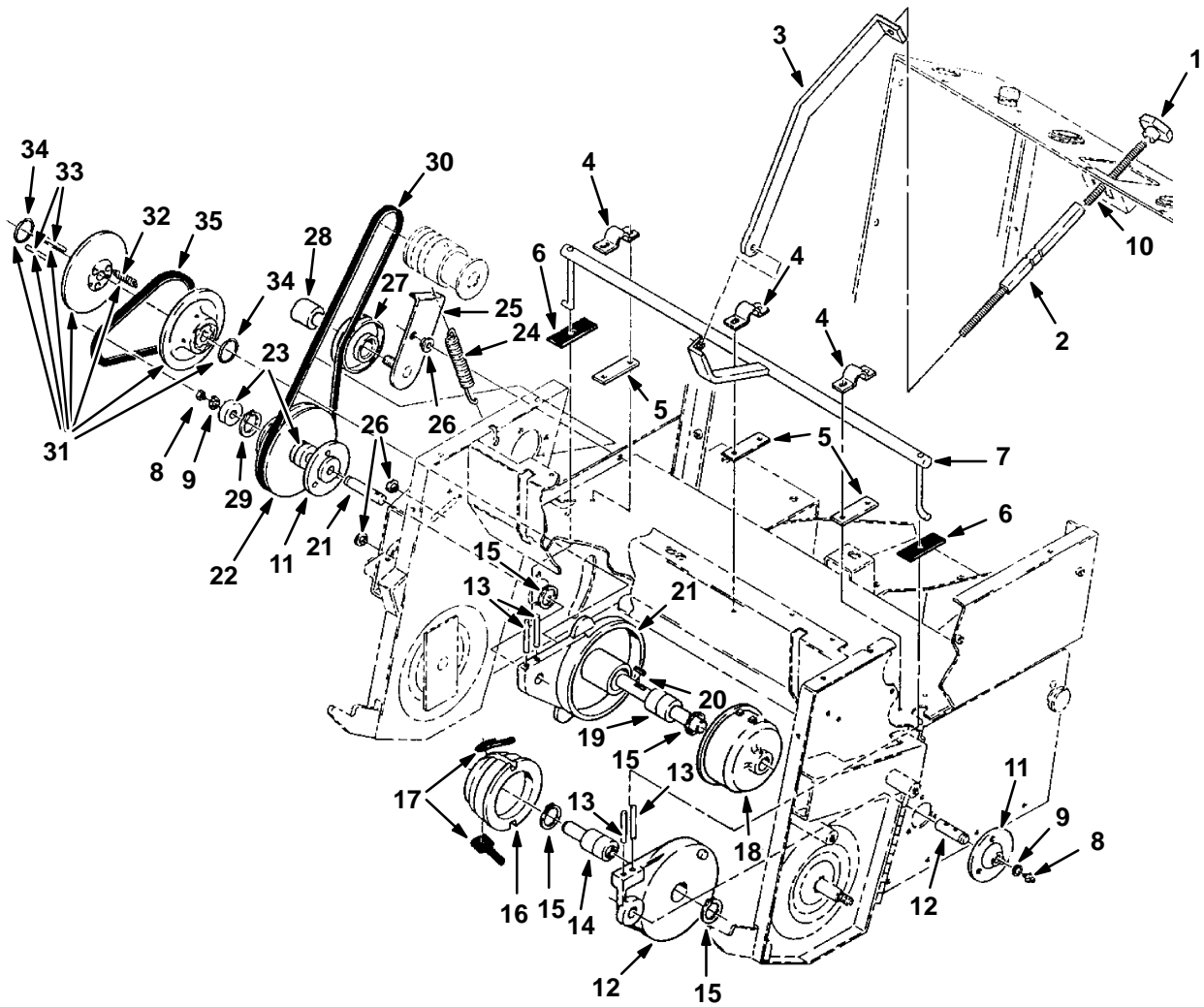


FIG. 3.2.1. MAIN BRUSH DRIVE - KEHRWALZENANTRIEB - ENTRAÎNEMENT DE LA BROSSE PRINCIPALE

		Serial Number / Seriennummer / Numéro de Serie		
MODEL	1186E	from/ab/du	186530001	to/bis/à
MODEL		from/ab/du		to/bis/à

Ref.	Tennant N°	Description	Bezeichnung	Designation	Qty
1	96982	HANDLE, Tee	GRIFF	POIGNEE	1
2	97517	BAR, Lift	HEBER	LEVAGEUR	1
3	96981	ROD, Lift	STANGE	BIELLE	1
4	28074	CLAMP	KLEMME	COLLIER	3
5	28066	STRIP	STREIFEN	BANDE	3
6	29005	SEAL	DICHTUNG	JOINT	2
7	97011	SHAFT, Lift	WELLE	ARBRE	1
8	96983	FITTING, Grease	SCHMIERNIPPEL	GRAISSEUR	2
9	18136	RING, Retaining	SICHERUNGSRING	ANNEAU D'ARRÊT	2
10	97007	STUD, M8	STIFTSCHRAUBE	GOUJON	1
11	28847-5	BUSHING	BÜCHSE	BAGUE	2
12	97571	ARM Assy LH	ARM Kpl.Links	ENS. DE BRAS, à gauche	1
13	91050	PIN, Roll	ROLLENSTIFT	GOUPILLE	4
14	92608	BEARING&SHAFT	LAGER & WELLE	ARBRE ET ROULEMENT	1
15	23217	RING, Retaining	SICHERUNGRING	ANNEAU D'ARRÊT	4
16	96987	PLUG, Assy	STOPFENSATZ	ENS. DE BOUCHON	1
17	28852	FINGER	FINGER	DOIGT	2
18	28976	PLUG & PIN Assy	STOPFEN & PIN Kpl	BOUCHON & BOULON	1
19	28867	BEARING & SHAFT	LAGER & WELLE	ROULEMENT ET ARBRE	1
20	00911	KEY, Square	KEIL	CLAVETTE	1
21	97570	ARM, RH	ARM, rechts	BRAS, à droite	1
22	28845A	SHEAVE, Stop	RIEMENSCHIEBE	POULIE	1
23	28010	BEARING, Ball	LAGER	ROULEMENT	2
24	26212	SPRING, Tension	FEDER	RESSORT	1
25	97094	ARM & SHAFT Assy	ARM & WELLE Kpl.	ENS. D'ARBRE ET BRAS	1
26	28008	RETAINER	HALTER	SUPPORT	3
27	97129	PULLEY Assy	RIEMENSCHIEBE	POULIE	1
28	97092	BUSHING	BÜCHSE	BAGUE	1
29	91000	RING, Retaining	SICHERUNGSRING	ANNEAU D'ARRÊT	1
30	28714	V-BELT	KEILRIEMEN	COURROIE	1
31	96391	SHEAVE Assy	RIEMENSCHIEBE	POULIE	1
32	28387	SPRING, Tension	FEDER	RESSORT	3
33	91001	PIN, Dowel	PAßSTIFT	CHEVILLE	2
34	28388	RETAINER	HALTER	SUPPORT	2
35	28168	V-BELT	KEILRIEMEN	COURROIE	1

FIG. 3.2.2. SIDE BRUSH DRIVE - SEITENBESENANTRIEB - ENTRAÎNEMENT DE LA BROSSE LATÉRALE

	Serial Number / Seriennummer / Numéro de Serie		
MODEL 1186E	from/ab/du	186530001	to/bis/à
MODEL	from/ab/du		to/bis/à

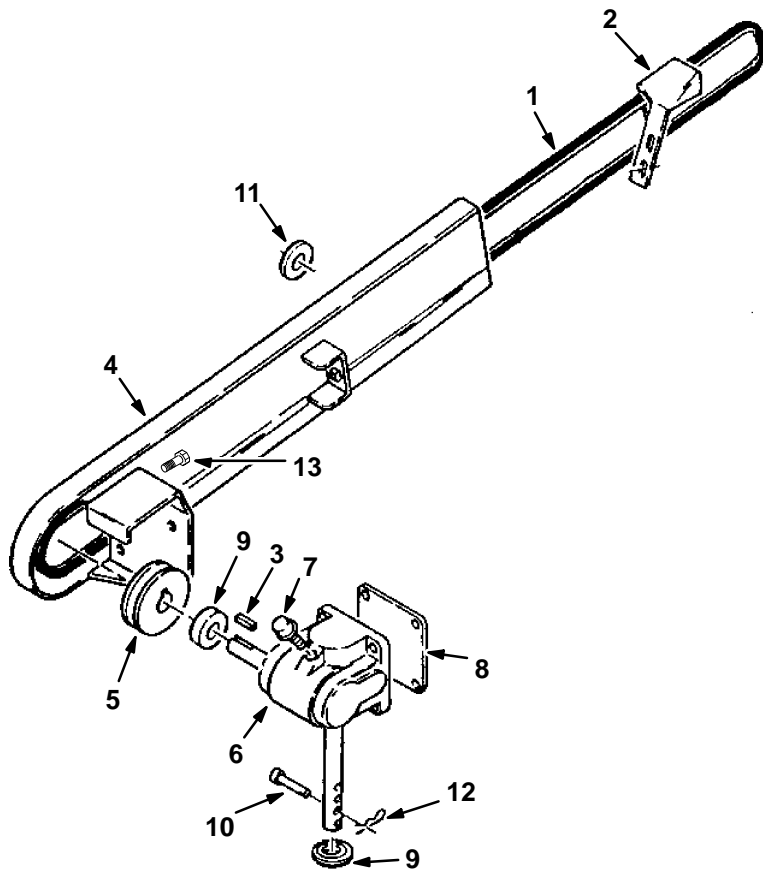


FIG. 3.2.2. SIDE BRUSH DRIVE - SEITENBESENANTRIEB - ENTRAÎNEMENT DE LA BROSSE LATÉRALE

		Serial Number / Seriennummer / Numéro de Serie		
MODEL	1186E	from/ab/du	186530001	to/bis/à
MODEL		from/ab/du		to/bis/à

Ref.	Tennant N°	Description	Bezeichnung	Designation	Qty
1	28712	V-BELT	KEILRIEMEN	COURROIE	1
2	97053	GUIDE, Belt	FAHRUNG	GUIDE	1
3	00911	KEY, Square	KEIL	CLAVETTE	1
4	96832	ARM, Side Sweep	ARM	BRAS	1
5	96975	SHEAVE	RIEMENSCHLEIBE	POULIE	1
6	96977	GEARBOX, Reduc.	REDUZIERAPPARAT	REDUCTEUR	1
7	94149	BREATHER	ENTLÜFTER	RENIFLARD	1
8	28078	GASKET	DICHTUNG	JOINT	1
9	94413	SEAL, Oil	DICHTRING	JOINT	2
10	82168	PIN, Clevis	GABELKOPFBOLZEN	AGRAFE DE CHAPE	1
11	97520	WASHER	SCHEIBE	RONDELLE	1
12	44906	PIN, Hair Cotter	SPLINT	GOUPILLE FENDUE	1
13	11329	SCREW, Lock	SCHRAUBE	VIS	4

FIG. 4.3.1. RECYCLE TANK - REZYKLIERTANK - RÉSERVOIR DE RÉCUPÉRER

	Serial Number / Seriennummer / Numéro de Serie		
MODEL 1186E	from/ab/du	186530001	to/bis/à
MODEL	from/ab/du		to/bis/à

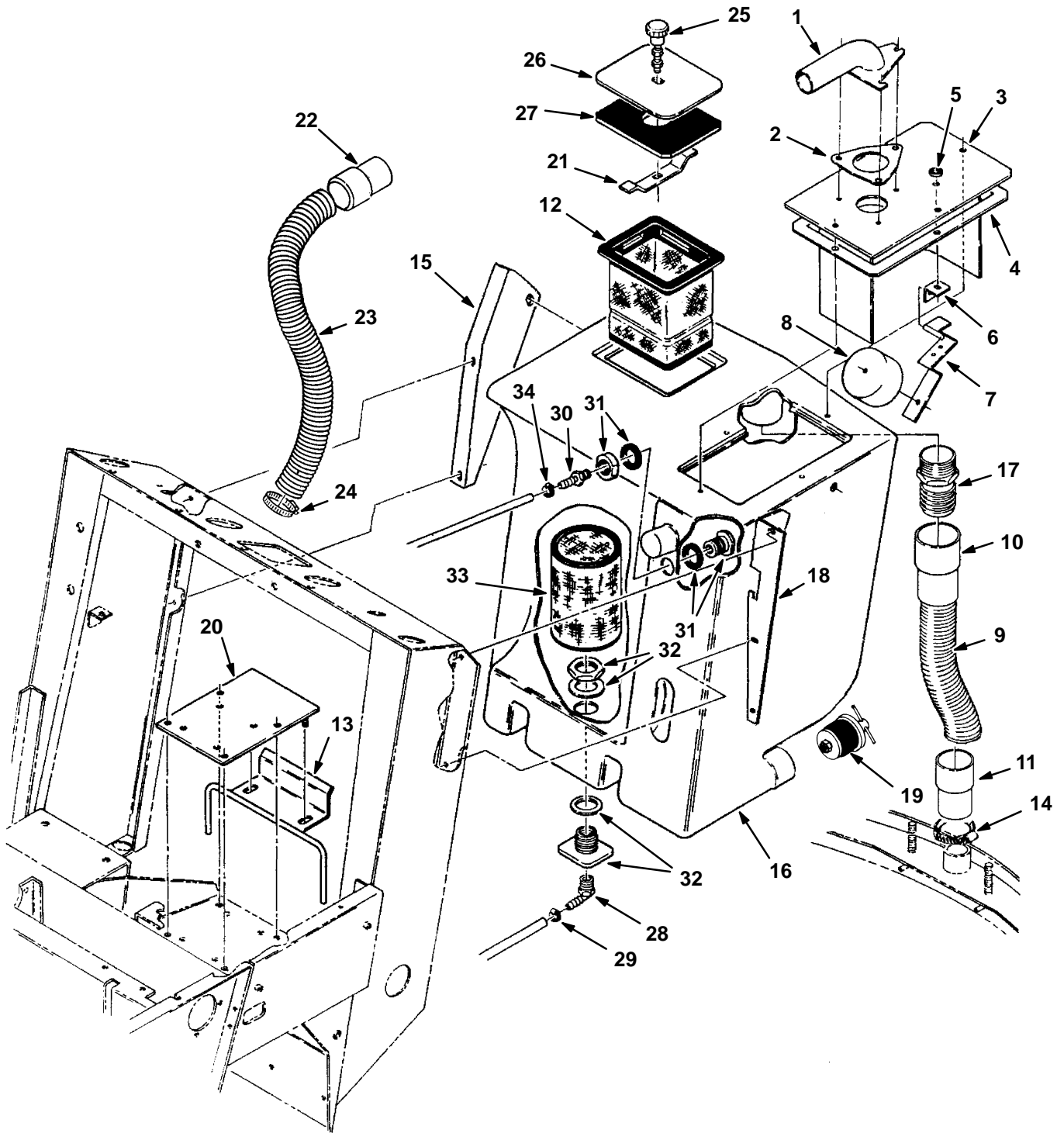


FIG. 4.3.1. RECYCLE TANK - REZYKLIERTANK - RÉSERVOIR DE RÉCUPÉRER

		Serial Number / Seriennummer / Numéro de Serie		
MODEL	1186E	from/ab/du	186530001	to/bis/à
MODEL		from/ab/du		to/bis/à

Ref.	Tennant N°	Description	Bezeichnung	Designation	Qty
1	01520	TUBE	ROHR	TUBE	1
2	29664	GASKET	DICHTUNG	JOINT	1
3	97322	PLATE, Float	PLATTE	PLAQUE	1
4	01640	GASKET, Plate	DICHTUNG	JOINT	1
5	76426	WASHER	SCHEIBE	RONDELLE	1
6	63310	BRACKET, L	HALTERUNG, L	SUPPORT, à Gauche	1
7	45938-1	BRACKET, Float	HALTERUNG	SUPPORT	1
8	45937	FLOAT, Fan	SCHWIMMER	FLOTTEUR	1
9	97653	HOSE, Squeegee	SCHLAUCH	TUYAU	1
10	97370	CUFF, Hose	MANSCHETTE	MANCHETTE	1
11	97369	CUFF, Hose	MANSCHETTE	MANCHETTE	1
12	09479	DECAL, Solution	AUFKLEBER	AUTOCOLLANT	1
13	01534	RETAINER	HALTER	SUPPORT	1
14	11531	CLAMP	KLEMME	ATTACHE	1
15	97238	BRACKET, RH	HALTERUNG, R	SUPPORT à Droite	1
16	99136	TANK, Recycle	TANK	RESERVOIR	1
17	01639	FITTING, Straight	FITTING	DOUILLE	1
18	97239	BRACKET, LH	HALTERUNG, Links	SUPPORT à Gauche	1
19	56504	PLUG, Drain	ABLAßSTOPFEN	BOUCHON DE VIDANGE	1
20	97312	SUPPORT, Tank	HALTER	SUPPORT	1
21	08093	PAWL	RASTKLINKE	ROCHET	1
22	97369	CUFF, Hose	MANSCHETTE	MANCHETTE	1
23	97394	HOSE	SCHLAUCH	TUYAU	1
24	11531	CLAMP	KLEMME	ATTACHE	1
25	87337	LATCH	VERSCHLUß	LOQUET	1
26	08091	COVER	DECKEL	COUVERCLE	1
27	08092	GASKET	DICHTUNG	JOINT	1
28	50844	FITTING, Elbow	FITTING	FITTING	1
29	43844	CLAMP	KLEMME	COLLIER	1
30	50901	FITTING, Straight	FITTING	FITTING	1
31	50905	FITTING, Bulkhead	DURCHFLUßFITTING	FITTING DÉCOULEMENT	1
32	63727	FITTING, Bulkhead	DURCHFLUßFITTING	FITTING DÉCOULEMENT	1
33	41304	SCREEN, Filter	FILTER	FILTRE	1
34	94430	CLAMP	KLEMME	COLLIER	1

FIG. 4.4.0. SCRUB VACUUM FAN - ABSAUGVENTILATOR - TURBINE D'ASPIRATION

	Serial Number / Seriennummer / Numéro de Serie		
MODEL 1186E	from/ab/du	186530001	to/bis/à
MODEL	from/ab/du		to/bis/à

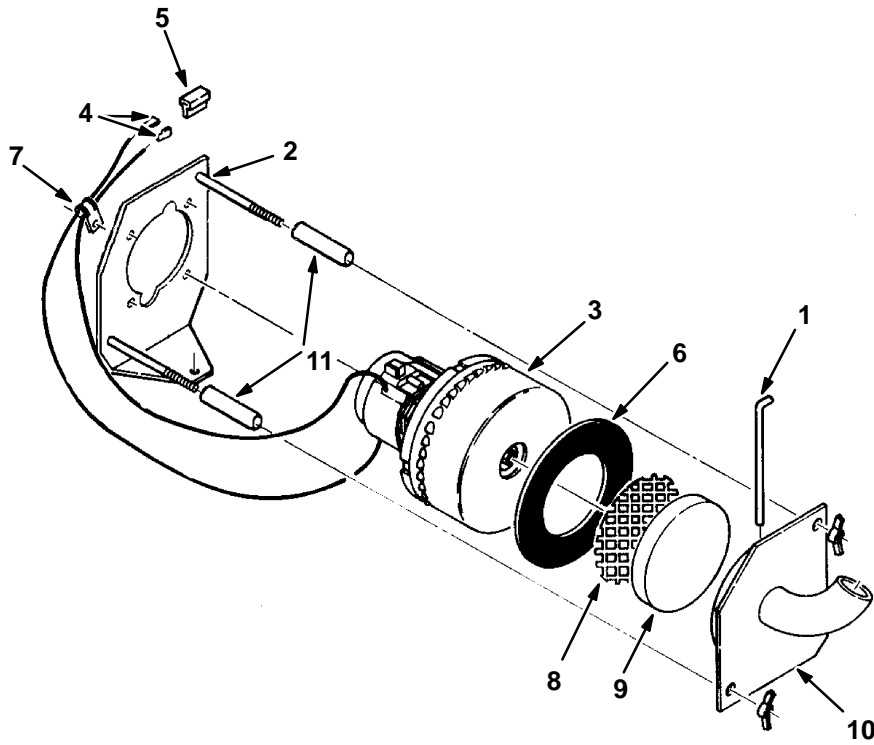


FIG. 4.4.0. SCRUB VACUUM FAN - ABSAUGVENTILATOR - TURBINE D'ASPIRATION

		Serial Number / Seriennummer / Numéro de Serie		
MODEL	1186E	from/ab/du	186530001	to/bis/à
MODEL		from/ab/du		to/bis/à

Ref.	Tenant N°	Description	Bezeichnung	Designation	Qty
1	97319	ROD, Retainer	STANGE	BIELLE	1
2	97329	MOUNT, Vac. Fan	BEFESTIGUNG	SUPPORTDE MONTAGE	1
	01475	FAN ASSY, Vac.	VENTILATOR KPL.	ENS. DE TURBINE	1
3	01290	MOTOR, Elec.	ELEKTROMOTOR	MOTEUR D'ÉLECTRIQUE	1
4	94080	TERMINAL	ANSCHLUß	BORNE	2
5	94607	CONNECTOR	ANSCHLUß	RACCORD	1
6	63319	SEAL, Fan	DICHTUNG	JOINT	1
7	26395-5	CLAMP	KLEMME	ATTACHE	1
8	63143	SCREEN	SCHIRM	TAMIS	1
9	63144	FILTER, Fan	FILTER	FILTRE	1
10	97366	COVER, Fan	DECKEL	COUVERCLE	1
11	97365	TUBE	ROHR	TUBE	2

FIG. 4.5.0. SOLUTION CONTROL - LÖSUNGSBETÄTIGUNG - COMMANDE DE SOLUTION

Serial Number / Seriennummer / Numéro de Serie			
MODEL 1186E	from/ab/du	186530001	to/bis/à
MODEL	from/ab/du		to/bis/à

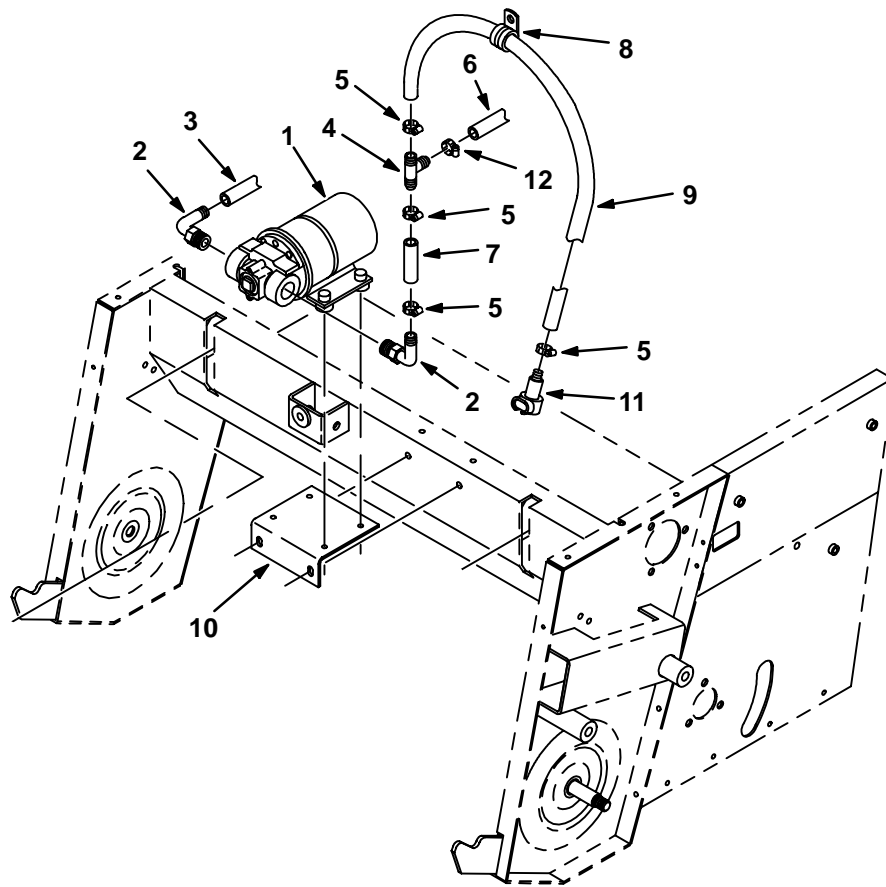


FIG. 4.5.0. SOLUTION CONTROL - LÖSUNGSBETÄTIGUNG - COMMANDE DE SOLUTION

		Serial Number / Seriennummer / Numéro de Serie		
MODEL	1186E	from/ab/du	186530001	to/bis/à
MODEL		from/ab/du		to/bis/à

Ref.	Tenant N°	Description	Bezeichnung	Designation	Qty
1	50927	PUMP, Water 12V	WASSERPUMPE	POMPE DE L'EAU	1
2	33233	FITTING, Elbow	FITTING	DOUILLE	2
3	C089011-125	HOSE	SCHLAUCH	TUYAU	1
4	50895	FITTING, Tee	FITTING	DOUILLE	1
5	43844	CLAMP	KLEMME	COLLIER	5
6	C460104-61	HOSE	SCHLAUCH	TUYAU	1
7	C089011-5	HOSE	SCHLAUCH	TUYAU	1
8	26395-1	CLAMP	KLEMME	COLLIER	6
9	C089011-70	HOSE	SCHLAUCH	TUYAU	1
10	09415	PLATE, Mount	MONTIERPLATTE	PLAQUE DE MONTAGE	1
11	12641	FITTING, Quick (F)	SCHNELLKUPPLUNG	RACCORD RAPIDE	1
12	94430	CLAMP	KLEMME	COLLIER	1

FIG. 4.6.0. REAR SQUEEGEE - HINTENABSTREIFER - RACLETTE ARRIÈRE

	Serial Number / Seriennummer / Numéro de Serie		
MODEL 1186E	from/ab/du	186530001	to/bis/à
MODEL	from/ab/du		to/bis/à

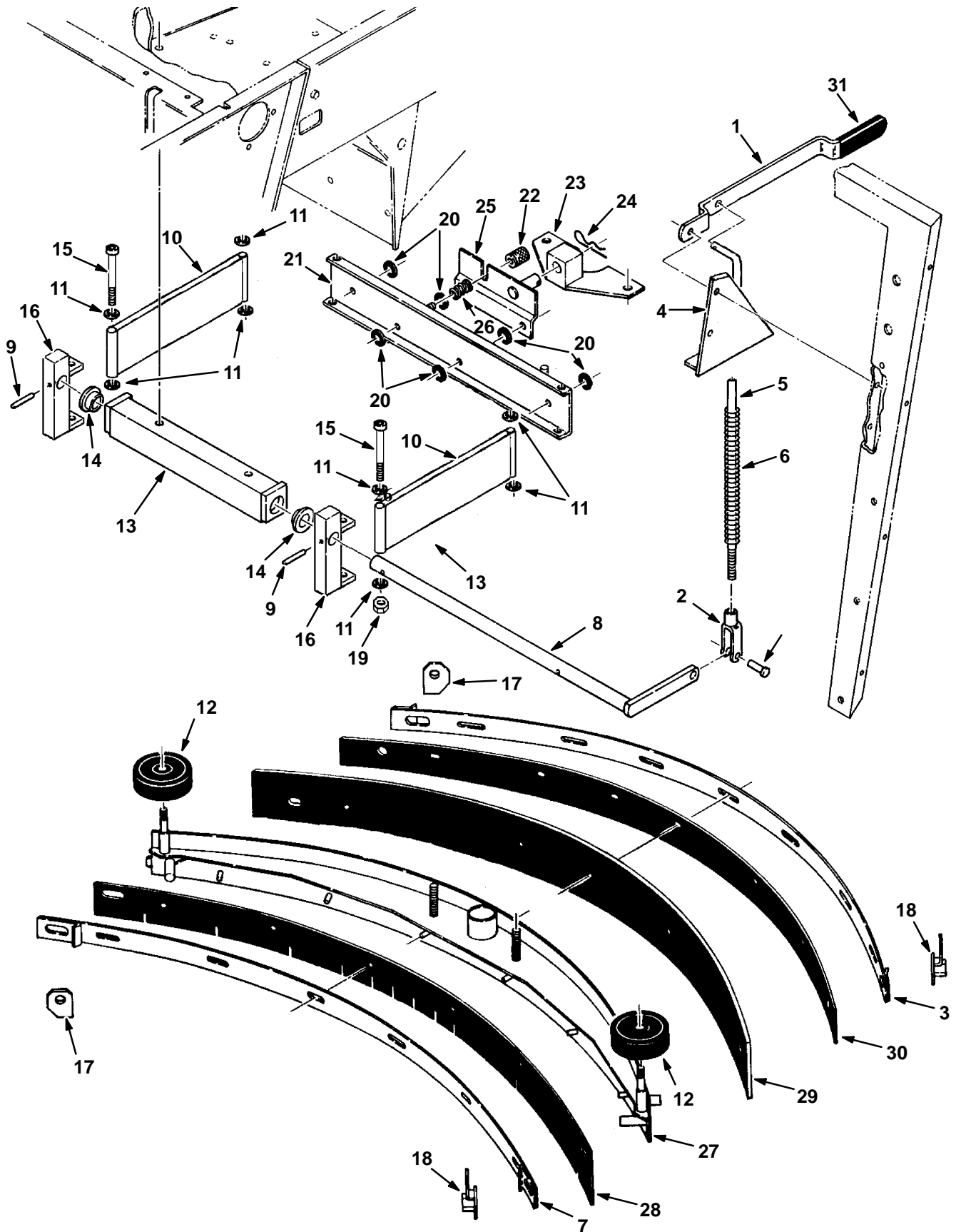


FIG. 4.6.0. REAR SQUEEGEE - HINTENABSTREIFER - RACLETTE ARRIÈRE

Serial Number / Seriennummer / Numéro de Serie			
MODEL 1186E	from/ab/du	186530001	to/bis/à
MODEL	from/ab/du		to/bis/à

Ref.	Tennant N°	Description	Bezeichnung	Designation	Qty
1	97231	HANDLE	GRIFF	POIGNEE	1
2	94829	YOKE, Adj.	GABELGELENK	CHAPE	1
3	63034	BAND, Rear	HINTENBAND	BAND D'ARRIÈRE	1
4	97627	BRACKET, Pivot	HALTERUNG	SUPPORT	1
5	97626	ROD, Lift	STANGE	BIELLE	1
6	75774	SPRING	FEDER	RESSORT	1
7	63038	BAND, Front	VORNEBAND	BANDE D'AVANT	1
8	10361	SHAFT, Lift	WELLE	ARBRE	1
9	26239	PIN, Roll	ROLLENSTIFT	GOUPILLE	2
10	96150	LINK, Squeegee	GESTANGE	BIELLET	2
11	96622	BEARING	LAGER	ROULEMENT	8
12	29653	WHEEL, Solid	REIFEN	ROUE	2
13	97908	BAR ASSY	STANGE KPL.	ENS. DU BAR	1
14	01334	BEARING	HÜLSELAGER	MANCHON	2
15	33940	SCREW	SCHRAUBE	VIS	4
16	96138	HINGE	SCHARNIER	CHARNIÈRE	2
17	63327	CAM, Stationary	NOCKEN	CAME	2
18	63329	CAM, Levered	NOCKEN	CAME	2
19	08713	NUT, Nylon	MUTTER	ECROU	4
20	45089	WASHER, Rubber	GUMMISCHEIBE	RONDELLE	6
21	96652	RAIL, Squeegee	HALTERUNG	SUPPORT	1
22	97153	KNOB, Adjustment	KNOPF	POIGNÉE	1
23	97159	MOUNT, Squeegee	BEFESTIGUNG	SUPPORT DE MONTAGNE	1
24	97163	PIN, Cotter	SPLINT	GOUPILLE FENDUE	1
25	97156	PLATE, Pivot	DREHPLATTE	PLAQUE D'ARTICULÉ	1
26	97188	SPRING	FEDER	RESSORT	1
27	97203	FRAME, Squeegee	RAHMEN	CHASSIS	1
28	63967	BLADE, Squeegee	VORNEBLATT	PALE D'AVANT	1
29	63035	BLADE, Squeegee	HINTENBLATT	PALE D'ARRIÈRE	1
30	01657	STRIP	GEGENDRUCKBLATT	PALE DE SOUTIEN	1
31	16447	GRIP	GRIFF	POIGNÉE	1

FIG. 7.0.0. ELECTRICAL SYSTEM - ELEKTRISCHES SYSTEM - SYSTÈME ÉLECTRIQUE

	Serial Number / Seriennummer / Numéro de Serie		
MODEL 1186E	from/ab/du	186530001	to/bis/à
MODEL	from/ab/du		to/bis/à

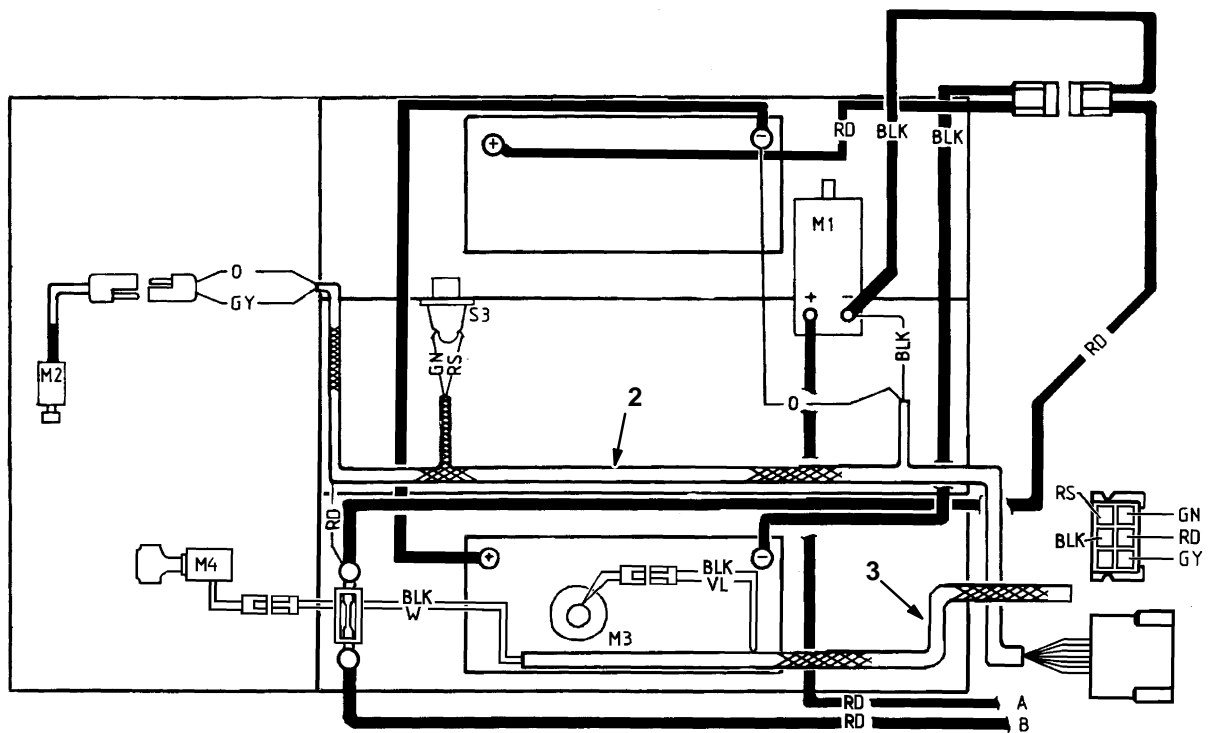
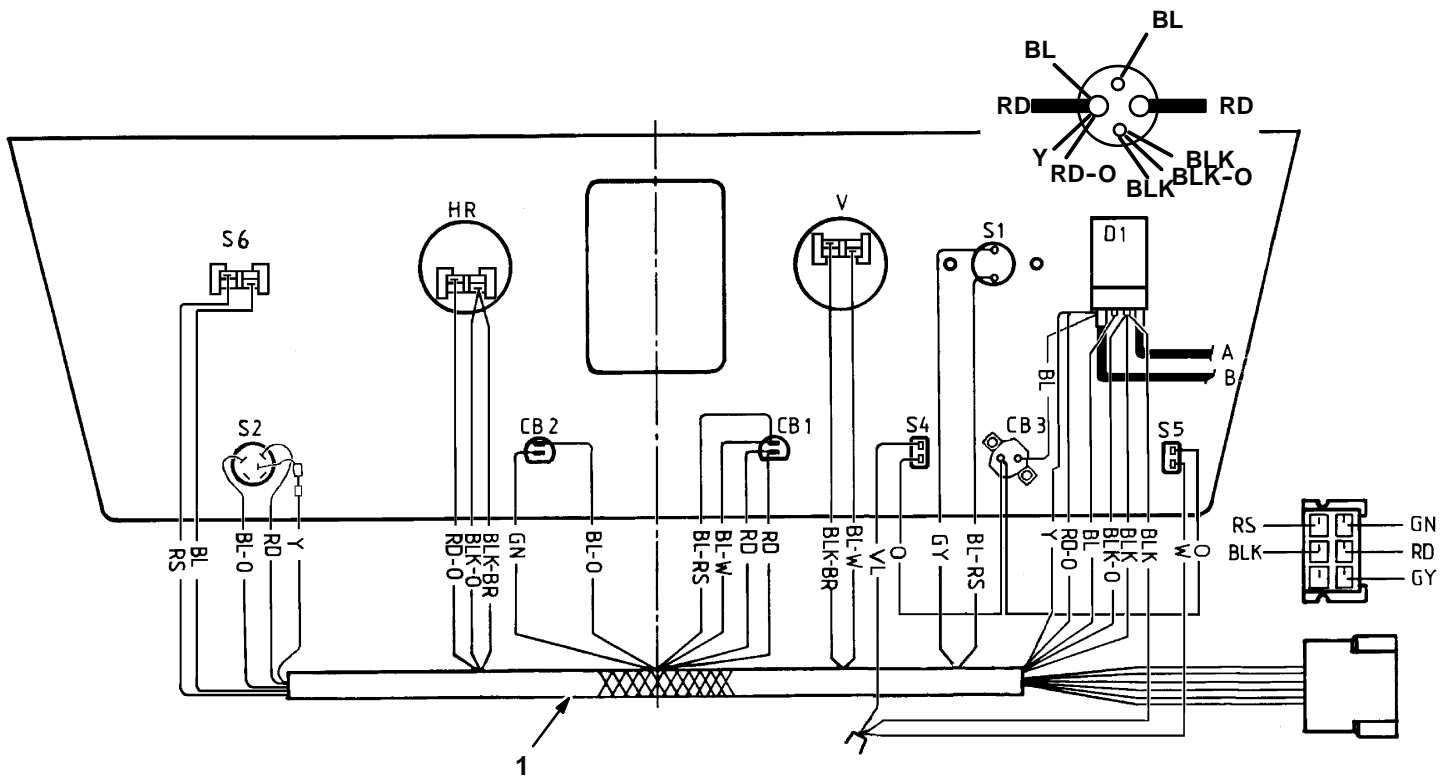


FIG. 7.0.0. ELECTRICAL SYSTEM - ELEKTRISCHES SYSTEM - SYSTÈME ÉLECTRIQUE

		Serial Number / Seriennummer / Numéro de Serie		
MODEL	1186E	from/ab/du	186530001	to/bis/à
MODEL		from/ab/du		to/bis/à

Ref.	Tenant N°	Description	Bezeichnung	Designation	Qty
1	97847	WIRE Harness, Instr.	KABELSTRANG	FAISCEAU DE FILS	1
2	97128	WIRE Harness, Main	KABELSTRANG	FAISCEAU DE FILS	1
3	99127	WIRE, Harness, fan	KABELSTRANG	FAISCEAU DE FILS	1

FIG. 7.1.0. BATTERY - BATTERIE - BATTERIE

	Serial Number / Seriennummer / Numéro de Serie		
MODEL 1186E	from/ab/du	186530001	to/bis/à
MODEL	from/ab/du		to/bis/à

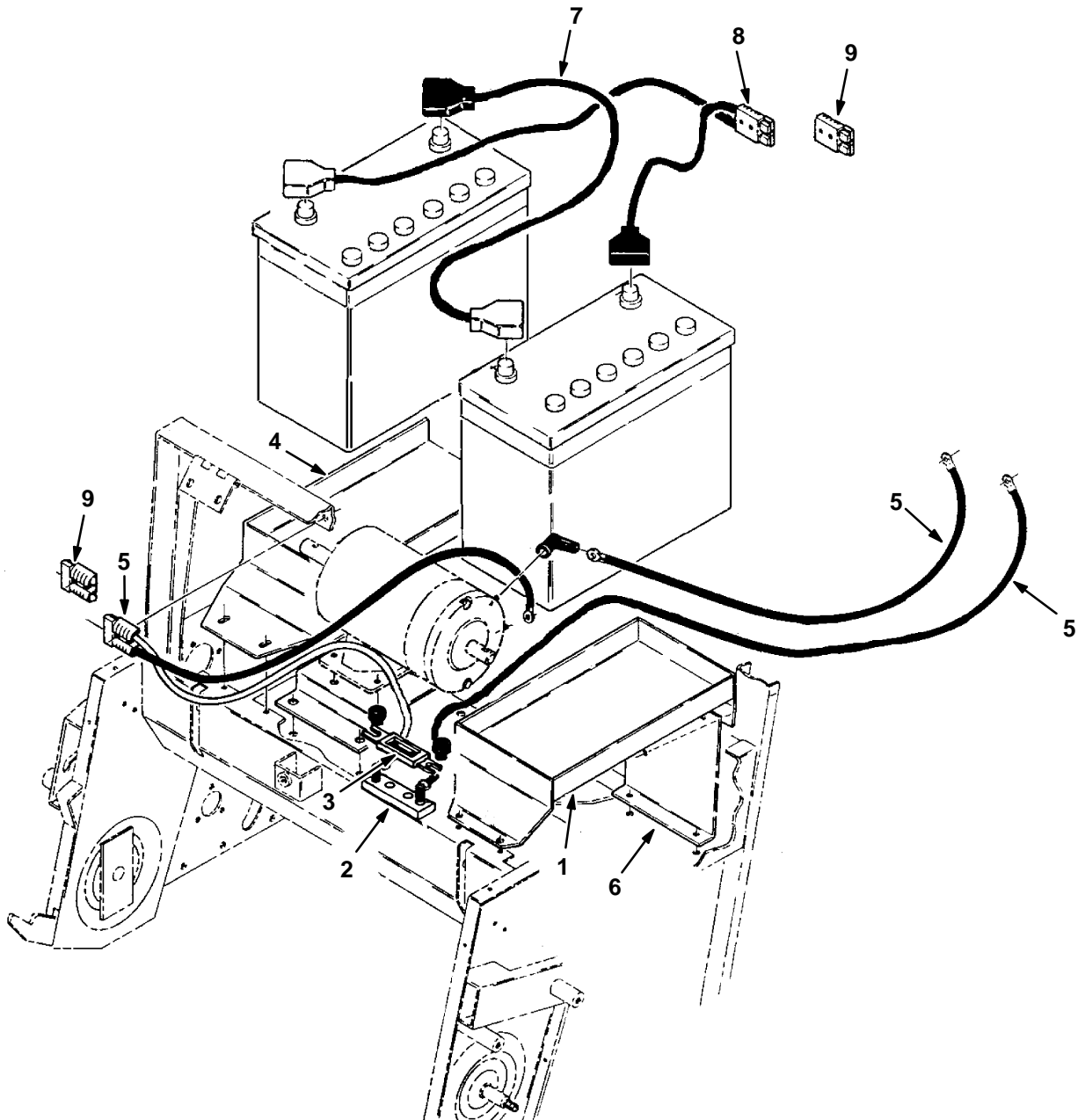


FIG. 7.1.0. BATTERY - BATTERIE - BATTERIE

		Serial Number / Seriennummer / Numéro de Serie		
MODEL	1186E	from/ab/du	186530001	to/bis/à
MODEL		from/ab/du		to/bis/à

Ref.	Tenant N°	Description	Bezeichnung	Designation	Qty
1	96827	TRAY, LH	BATTERIETRÄGER	BERCEAU DE BATTERIE	1
2	92878	HOLDER, Fuse	HALTER	SUPPORT	1
3	92889	FUSE, 60A	SICHERUNG, 60A	FUSIBLE, 60A	1
4	96827	TRAY, RH	BATTERIETRÄGER	BERCEAU DE BATTERIE	1
5	97215	CABLE Set	KABELSATZ	ENS. DU CÂBLE	1
6	96828	SUPPORT, Tray	HALTERUNG	SUPPORT	2
7	63757	CABLE Assy	KABELSATZ	ENS. DU CÂBLE	1
8	97848	CABLE, Battery	KABEL	CABLE	1
9	24881	CONNECTOR	STECKER	RACCORD	1

FIG. 7.3.0. INSTRUMENT PANEL - ARMATURENBRETT - TABLEAU DE BORD

	Serial Number / Seriennummer / Numéro de Serie		
MODEL 1186E	from/ab/du	186530001	to/bis/à
MODEL	from/ab/du		to/bis/à

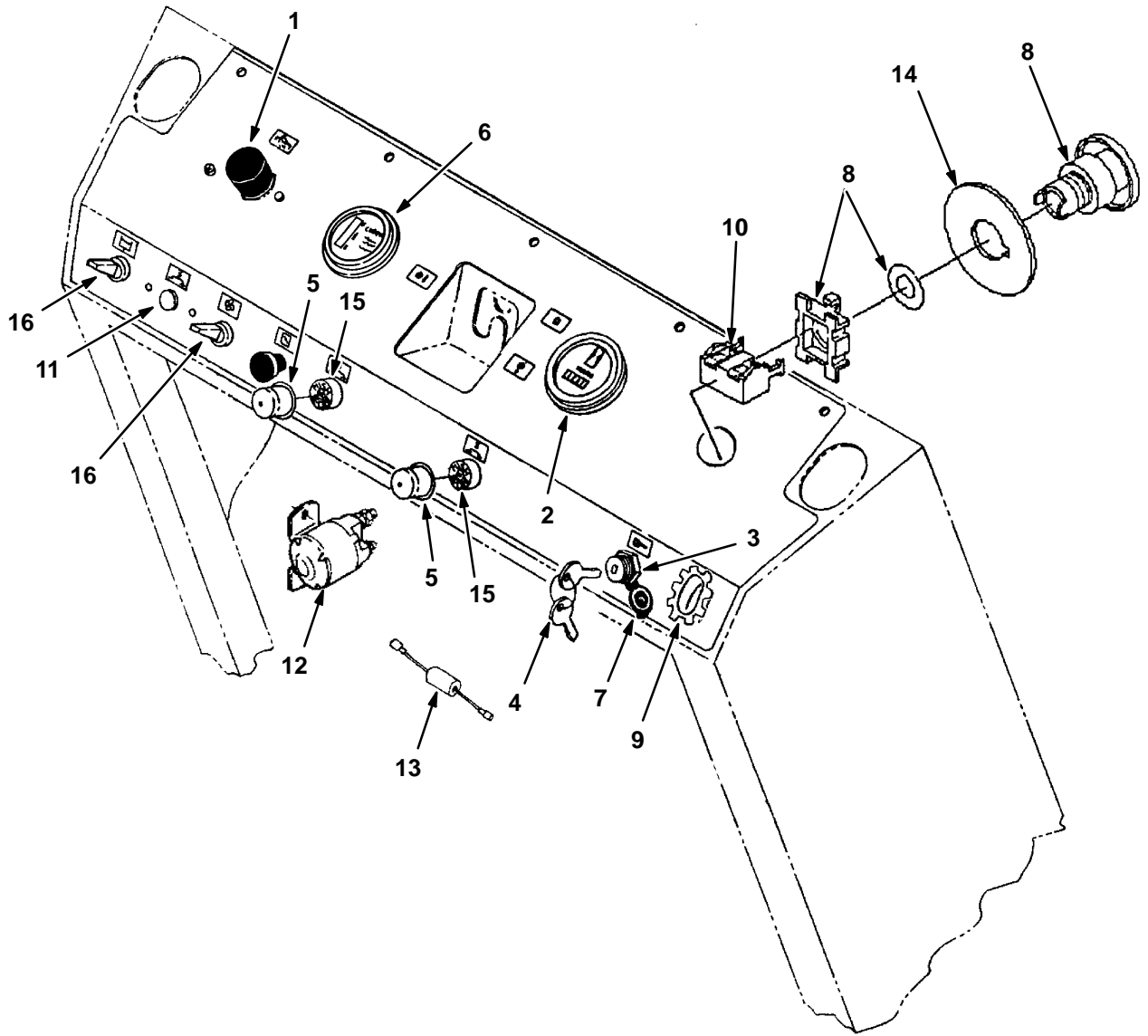


FIG. 7.3.0. INSTRUMENT PANEL - ARMATURENBRETT - TABLEAU DE BORD

		Serial Number / Seriennummer / Numéro de Serie		
MODEL	1186E	from/ab/du	186530001	to/bis/à
MODEL		from/ab/du		to/bis/à

Ref.	Tennant N°	Description	Bezeichnung	Designation	Qty
1	44078	SWITCH, Push	SCHALTER	INTERRUPTEUR	1
2	94966	HOURMETER	STUNDENZÄHLER	COMPTEUR HORAIRE	1
3	96514	SWITCH Assy	SCHALTERSATZ	ENS. D'INTERRUPTEUR	1
4	96514-1	KEY, Ign. Switch	SCHLÜSSELSATZ	JEU DES CLÉS	1
5	57751	BOOT	ABDECKHAUBE	BOUCHON	2
6	97044	INDICATOR, Disch.	ANZEIGER	INDICATEUR	1
7	97395	COVER, Switch	STAUBDECKEL	COUVERCLE DE POUS.	1
8	28429	SWITCH, Push	SCHALTER	INTERRUPTEUR	1
9	C460136-10	MOLDING	SCHUTZBAND	PROTECTION	1
10	11608	BLOCK, Contact	KONTAKTBLOCK	BLOC DE CONTACT	1
11	63030	CIRCUITBREAKER	SICHERUNGSAUTOM.	COUPE-CIRCUIT	1
12	02424	RELAY	RELAIS	RELAIS	1
13	97675	DIODE ASSY	DIODE SATZ	JEU DE DIODE	1
14	28428	PLATE, Switch	PLATTE	PLAQUE	1
15	57803	BREAKER, Circuit	SICHERUNGSAUTOM.	COUPE-CIRCUIT	2
16	63266	SWITCH, Fan	SCHALTER	INTERRUPTEUR	2

FIG. 10.0.0. DECAL KIT - BESCHILDERUNG - AUTOCOLLANTS

	Serial Number / Seriennummer / Numéro de Serie		
MODEL 1186E	from/ab/du	186530001	to/bis/à
MODEL	from/ab/du		to/bis/à

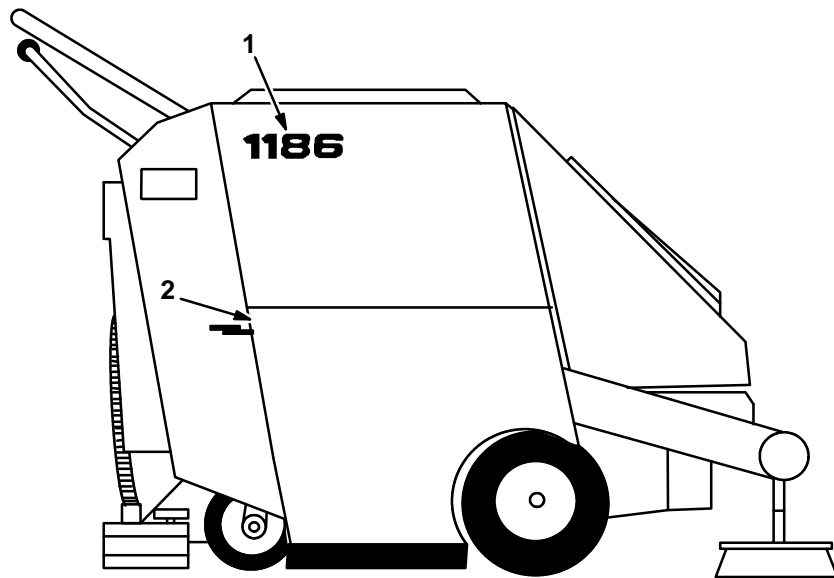
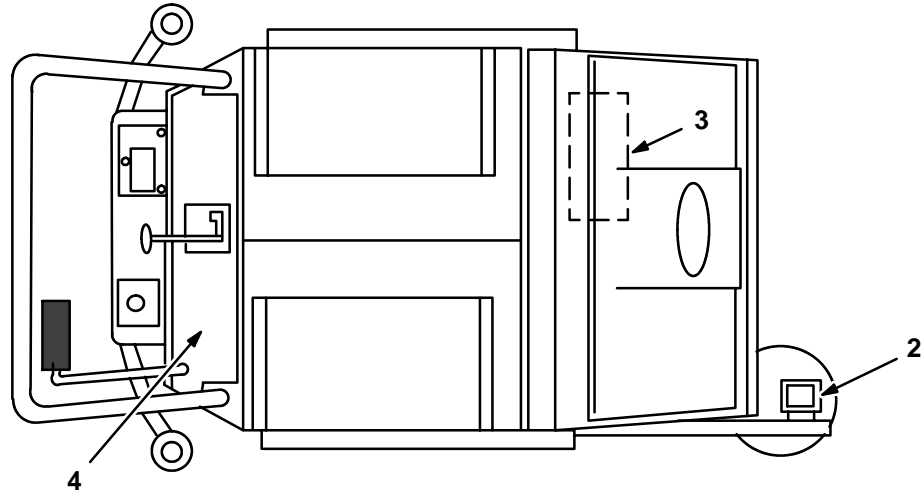


FIG. 10.0.0. DECAL KIT - BESCHILDERUNG - AUTOCOLLANTS

		Serial Number / Seriennummer / Numéro de Serie		
MODEL	1186E	from/ab/du	186530001	to/bis/à
MODEL		from/ab/du		to/bis/à

Ref.	Tenant N°	Description	Bezeichnung	Designation	Qty
1	50843	DECAL 1186	AUFKLEBERSATZ	AUTOCOLLANTS	2
2	97090	DECAL, Brush, Brake & Solution	AUFKLEBERSATZ	AUTOCOLLANTS	1
3	97095	DECAL, Caution	AUFKLEBER	AUTOCOLLANT	1
4	99124	DECAL, Instr. Panel	AUFKLEBER	AUTOCOLLANT	1

FIG.10.0.1 BRUSHES - BÜRSTEN - DES BROSSES

	Serial Number / Seriennummer / Numéro de Serie		
MODEL 1186E	from/ab/du	186530001	to/bis/à
MODEL	from/ab/du		to/bis/à

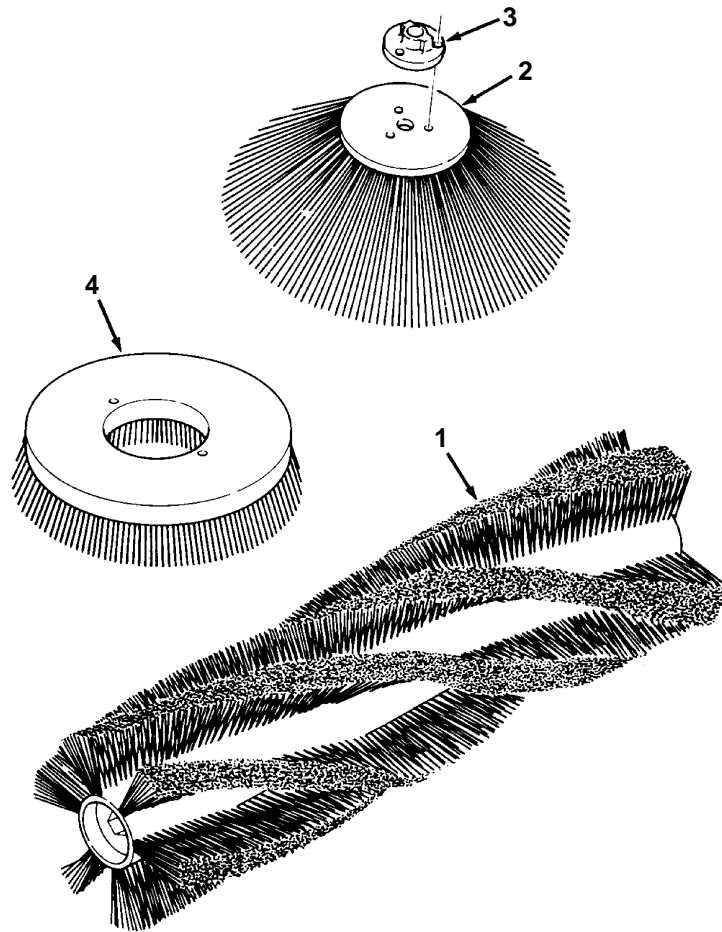


FIG. 10.0.1. BRUSHES - BÜRSTEN - DES BROSSES

		Serial Number / Seriennummer / Numéro de Serie		
MODEL	1186E	from/ab/du	186530001	to/bis/à
MODEL		from/ab/du		to/bis/à

Ref.	Tenant N°	Description	Bezeichnung	Designation	Qty
1	28002	BRUSH, Main, 6-Row Wire and Fibre			1
1	28006	BRUSH, Main, 6-Row Union Mix			1
1	28006N	BRUSH, Main, 6-Row Nylon Fibre			1
1	28007P	BRUSH, Main, 6-Row Polypropylene			1
1	28172	BRUSH, Main, 18-Row Natural Fibre			1
1	28235	BRUSH, Main, 18-Row Wire and Fibre			1
1	94060	BRUSH, Main, 24-Row Polypropylene			1
1	41302	BRUSH, Main, 6-Row Polypropylene, Sweeping-Scrubbing			1
2	28096P	BRUSH, Side, Synthetic Fibre			1
2	28096N	BRUSH, Side, Nylon Fibre			1
3	45154	HUB, Side Brush			1
4	29406	BRUSH, Side, Scrubbing, Polypropylene			1

TABLE OF CONTENTS
INHALTSVERZEICHNIS
TABLE DES MATIERES

TABLE OF CONTENTS - INHALTSVERZEICHNIS - TABLE DES MATIERES D1

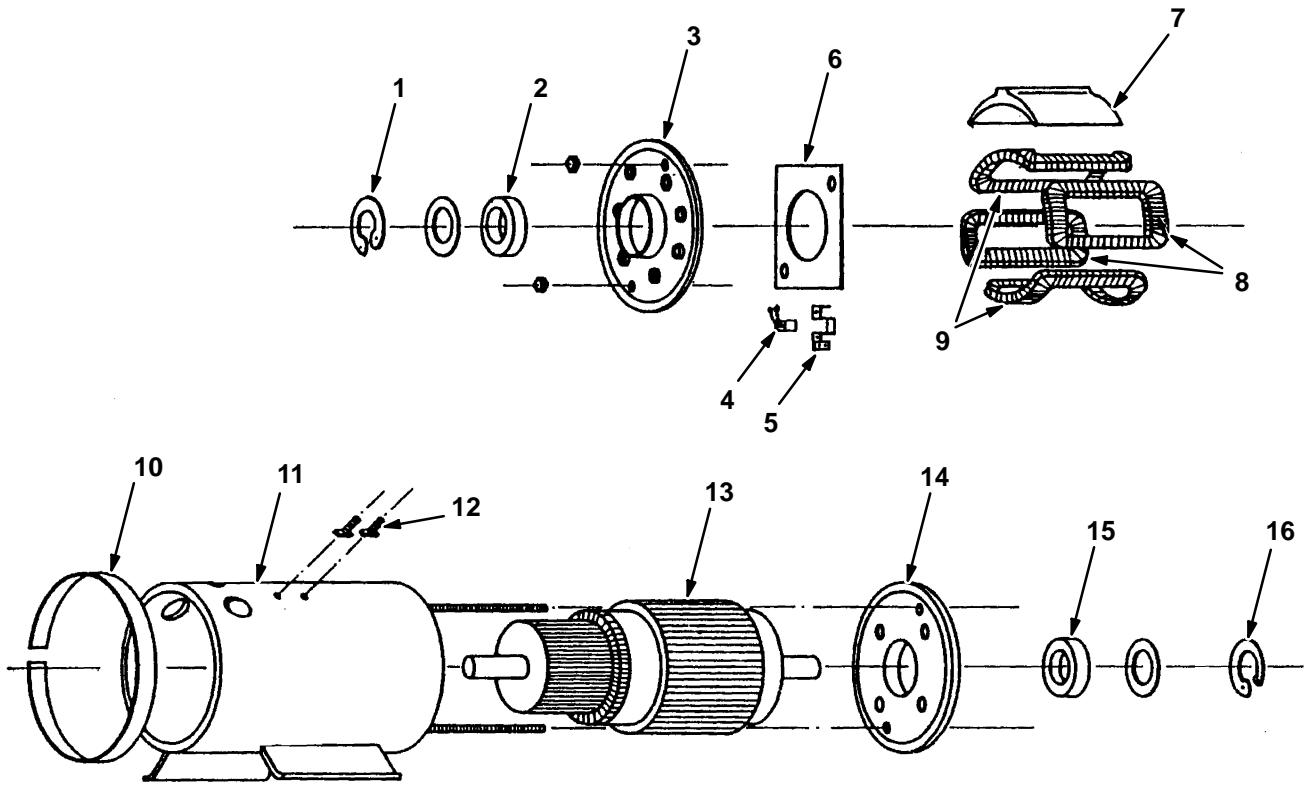
97220 ELECTRIC DRIVE MOTOR - ANGETRIEBEMOTOR - MOTEUR DE TRANSMISSION ... D2

01475 VACUUM FAN MOTOR - ABSAUGVENTILATOR - MOTEUR TURBINE D'ASPIRATION ... D4

97220 ELECTRIC DRIVE MOTOR - ANGETRIEBEMOTOR - MOTEUR DE TRANSMISSION

Serial Number / Seriennummer / Numéro de Serie

MODEL 1186E	from/ab/du	186530001	to/bis/à
MODEL	from/ab/du		to/bis/à



97220 ELECTRIC DRIVE MOTOR - ANGETRIEBEMOTOR - MOTEUR DE TRANSMISSION

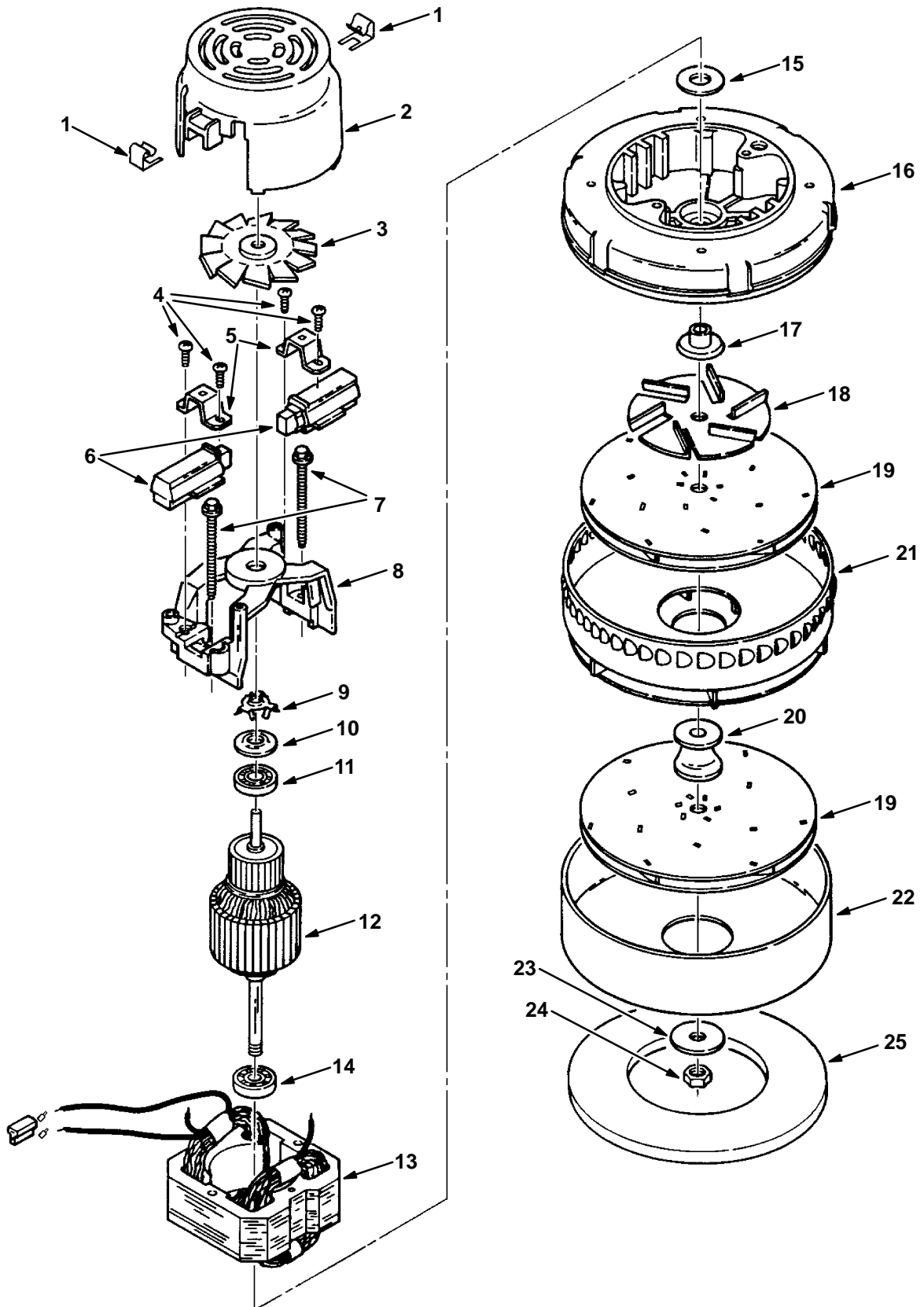
Serial Number / Seriennummer / Numéro de Serie

MODEL 1186E	from/ab/du	186530001	to/bis/à
MODEL	from/ab/du		to/bis/à

Ref.	Tennant N°	Description	Bezeichnung	Designation	Qty
1	PS1017	RING, Retaining	SEEGERRING	CIRCLIP	1
2	PS1003	BEARING, Comm.	LAGER	ROULEMENT	1
3	PS1011P	PLATE, End,Comm.	LAGERDECKEL	COUVERCLE	1
4	PS1083	BRUSH, Carbon	KOHLEBÜRSTE	BALAI, CHARBON	4
5	PS1080	HOLDER, Brush	BÜRSTENHALTER	SUPPORT DES BALAIS	4
6	PS1081	HOLDER,Complete	BÜRSTENKREUZ	BAQUE PORTE-BALAIS	1
7	PS1007	POLESHOE	POLSCHUH	PLAQUE POLAIRE	4
8	PS1008	COIL SET, Serial	FELDWICKELUNG	ENROULEM. INDECTEUR	1
9	PS1009	COIL SET, Shunt	FELDWICKELUNG	ENROULEM. INDECTEUR	1
10	PS1089	COVER, Band	ABDECKBAND	BANDE D'INSPECTION	1
11	PS1103	HOUSING	GEHÄUSE	CARCASSE POLAIRE	1
12	PS1022	SCREW, Terminal	SCHRAUBESATZ	JEU DE VIS	2
13	PS1102	ARMATURE	ANKER	INDUIT	1
14	PS1104	PLATE, End, Drive	LAGERDECKEL	COUVERCLE	1
15	PS2041	BEARING, Drive	LAGER	ROULEMENT	1
16	PS2042	RING, Retaining	SEEGERRING	CIRCLIP	1

Serial Number / Seriennummer / Numéro de Serie

MODEL 1186E	from/ab/du	186530001	to/bis/à
MODEL	from/ab/du		to/bis/à



Serial Number / Seriennummer / Numéro de Serie

MODEL	1186E	from/ab/du	186530001	to/bis/à
MODEL		from/ab/du		to/bis/à

Ref.	Tennant N°	Description	Bezeichnung	Designation	Qty
1	01967	CLIP	KLEMME	PIÈGE	2
2	37926	HOUSING	GEHÄUSE	CARCASSE POLAIR	1
3	37923	FAN	VENTILATOR	VENTILATEUR	1
4	01968	SCREW	SCHRAUBE	VIS	4
5	01982	CLAMP	KLEMME	ATTACHE	2
6	32323	BRUSH	KOHLEBÜRSTE	BALAI CHARBON	2
7	01969	SCREW	SCHRAUBE	VIS	2
8	01983	BRACKET	HALTERUNG	SUPPORT	1
9	01856	SPRING	FEDER	RESSORT	1
10	37909	DISC	SCHEIBE	RONDELLE	1
11	01842	BEARING	LAGER	PALIER	1
12	18633	ARMATURE	ANKER	INDUIT	1
13	30030	FIELD	FELDWICKELUNG	ENROULEM. INDECTEUR	1
14	01837	BEARING	LAGER	PALIER	1
15	37912	WASHER	SCHEIBE	RONDELLE	1
16	01970	BRACKET	HALTERUNG	SUPPORT	1
17	18627	SPACER	DISTANZBUCHSE	ENTRETOISE	1
18	01971	FAN	VENTILATOR	VENTILATEUR	1
19	18628	FAN, Vacuum	VENTILATOR	VENTILATEUR	2
20	18630	SPACER	DISTANZBUCHSE	ENTRETOISE	1
21	18629	FAN, Stationary	VENTILATOR	VENTILATEUR	1
22	18631	SHELL	SCHALE	COQUE	1
23	18632	WASHER	SCHEIBE	RONDELLE	1
24	37929	NUT	MUTTER	ECROU	1
25	63319	SEAL	DICHTUNG	JOINT	1

**TABLE OF CONTENTS
INHALTSVERZEICHNIS
TABLE DES MATIERES**

TABLE OF CONTENTS - INHALTSVERZEICHNIS - TABLE DES MATIERES	G1
FIG. 541 FINE PARTICLE FILTER - FEINSTAUBFILTER - FILTRE DE POUSSIÈRE FIN	G2
FIG. 542 BUMPER - STOßSTANGE - PARE-CHOCS	G4
FIG. 554 DUAL CASTER AND TIRES - DOPPELRÄDER - ROUES DOUBLE	G6
FIG. 577 SWEEPER HOPPER - KEHRSCHMUTZBEHÄLTER - BENNE DE BALAYAGE ...	G8
FIG. 578 SIDE SCRUB BRUSH - SEITENSCHRUBBESSEN - BROSSE LATÉRALE DE LAVAGE	G10
FIG. 579 BATTERY (125 AH) - BATTERIE (125 AH) - BATTERIE (125 AH)	G12

FIG. 541 FINE PARTICLE FILTER - FEINSTAUBFILTER - FILTRE DE POUSSIÈRE FIN

	Serial Number / Seriennummer / Numéro de Serie		
MODEL 186	from/ab/du	186008001	to/bis/à
MODEL 186E	from/ab/du	186508001	to/bis/à
MODEL 1186E	from/ab/du	186530001	to/bis/à

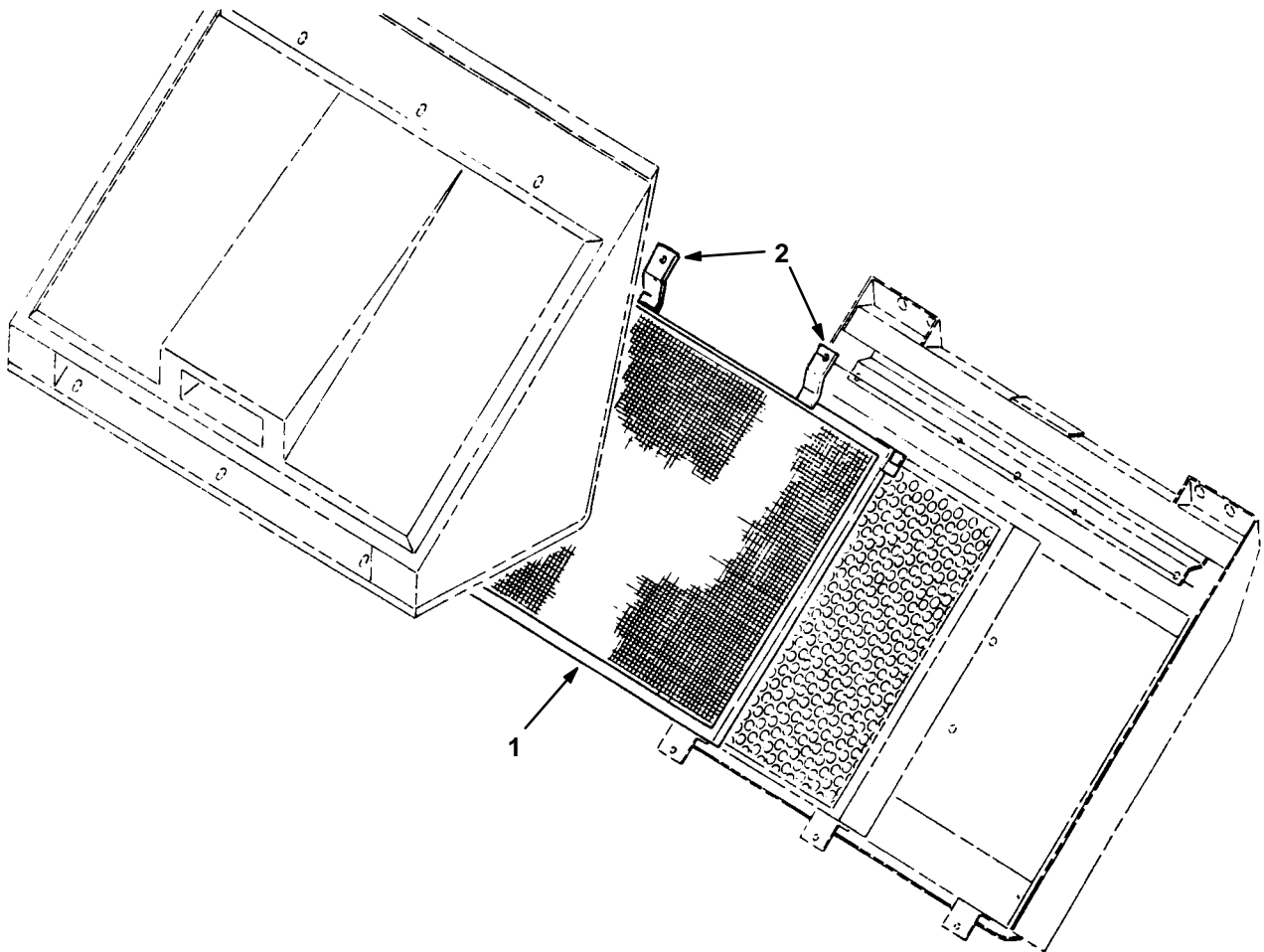


FIG. 541 FINE PARTICLE FILTER - FEINSTAUBFILTER - FILTRE DE POUSSIÈRE FIN

	Serial Number / Seriennummer / Numéro de Serie		
MODEL 186	from/ab/du	186008001	to/bis/à
MODEL 186E	from/ab/du	186508001	to/bis/à
MODEL 1186E	from/ab/du	186530001	to/bis/à

Ref.	Tennant N°	Description	Bezeichnung	Designation	Qty
1	32557	FILTER ASSY	FILTERSATZ	ENS. DE FILTRE	1
2	97594	BRACKET	HALTERUNG	SUPPORT	3

FIG. 542 BUMPER - STOßSTANGE - PARE-CHOCS

	Serial Number / Seriennummer / Numéro de Serie		
MODEL 186	from/ab/du	186008001	to/bis/à
MODEL 186E	from/ab/du	186508001	to/bis/à
MODEL 1186E	from/ab/du	186530001	to/bis/à

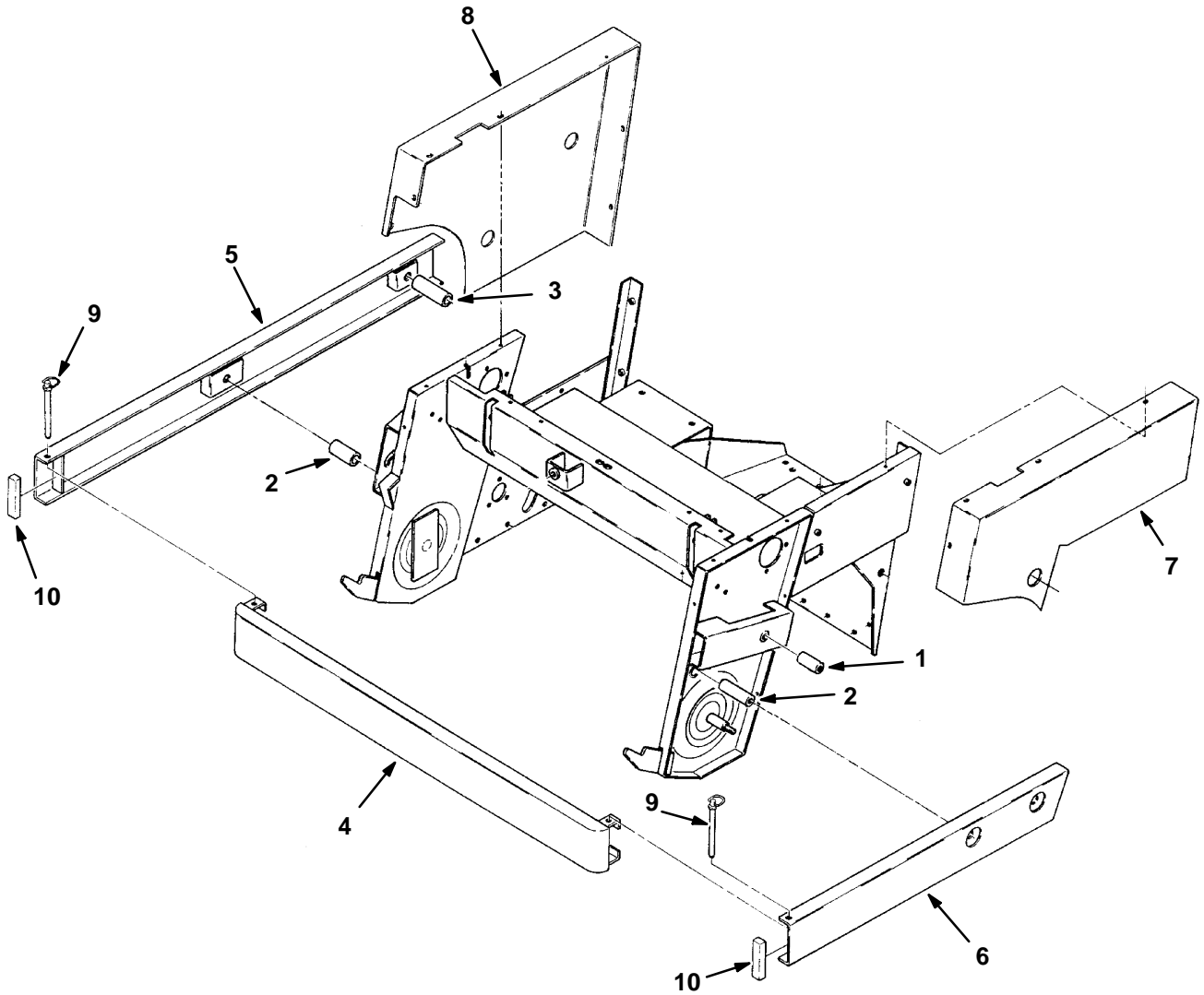


FIG. 542 BUMPER - STOßSTANGE - PARE-CHOCS

	Serial Number / Seriennummer / Numéro de Serie		
MODEL 186	from/ab/du	186008001	to/bis/à
MODEL 186E	from/ab/du	186508001	to/bis/à
MODEL 1186E	from/ab/du	186530001	to/bis/à

Ref.	Tennant N°	Description	Bezeichnung	Designation	Qty
1	97595	STUD	STIFTSCHRAUBE	GOUJON	1
2	97596	STUD	STIFTSCHRAUBE	GOUJON	2
3	97597	STUD	STIFTSCHRAUBE	GOUJON	1
4	97603	BUMPER, Front	STOßSTANGE	PARE-CHOCS	1
5	97607	BUMPER, RH	STOßSTANGE, Rechts	PARE-CHOCS, Droite	1
6	97609	BUMPER, LH	STOßSTANGE, Links	PARE-CHOCS, Gauche	1
7	97614	COVER, LH	DECKEL, Links	COUVERCLE, Gauche	1
8	97615	COVER, RH	DECKEL, Rechts	COUVERCLE, Droite	1
9	01317	PIN, Pivot	DREHBOLZEN	AXE D'ARTICULÉ	2
10	C410118-10	SEAL, Foam	DICHTUNG	JOINT	2

FIG. 554 DUAL CASTER AND TIRES - DOPPELRÄDER - ROUES DOUBLE

	Serial Number / Seriennummer / Numéro de Serie		
MODEL 186	from/ab/du	186008001	to/bis/à
MODEL 186E	from/ab/du	186508001	to/bis/à
MODEL 1186E	from/ab/du	186530001	to/bis/à

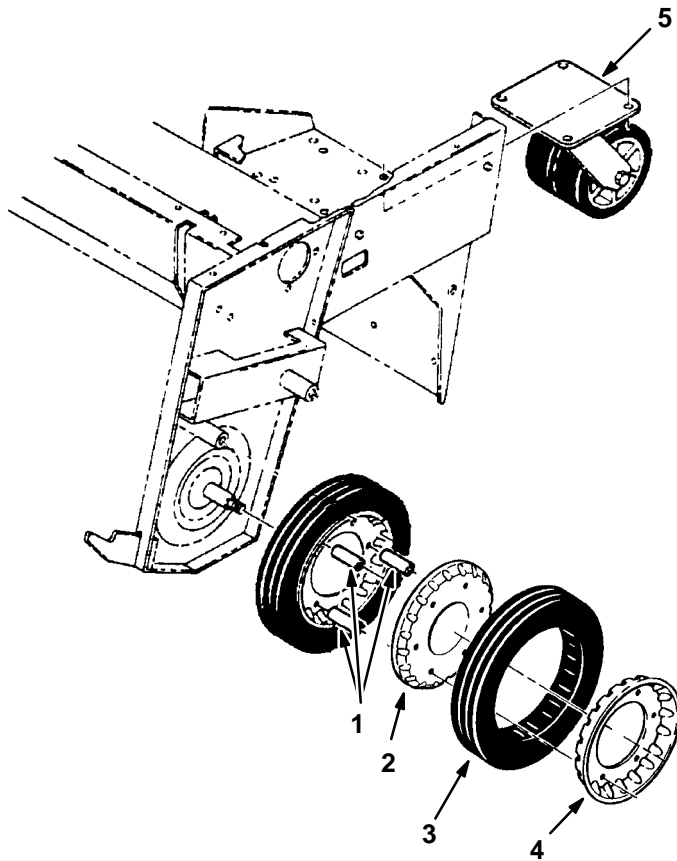


FIG. 554 DUAL CASTER AND TIRES - DOPPELRÄDER - ROUES DOUBLE

	Serial Number / Seriennummer / Numéro de Serie		
MODEL 186	from/ab/du	186008001	to/bis/à
MODEL 186E	from/ab/du	186508001	to/bis/à
MODEL 1186E	from/ab/du	186530001	to/bis/à

Ref.	Tennant N°	Description	Bezeichnung	Designation	Qty
1	27055	SLEEVE	ÜBERZUG	MANCHON	6
2	28128	WHEELHALF	FELGEHÄLFTE	DEMI-JANTE	2
3	28546	TIRE	RAD	ROUE	2
4	28211	WHEELHALF	FELGEHÄLFTE	DEMI-JANTE	2
5	97826	CASTER, Dual	DOPPELLAUFRAD	ROULETTE DOUBLE	1

FIG. 577 SWEEPER HOPPER - KEHRSCHMUTZBEHÄLTER - BENNE DE BALAYAGE

Serial Number / Seriennummer / Numéro de Serie

MODEL 1186E	from/ab/du	186530001	to/bis/à
MODEL	from/ab/du		to/bis/à

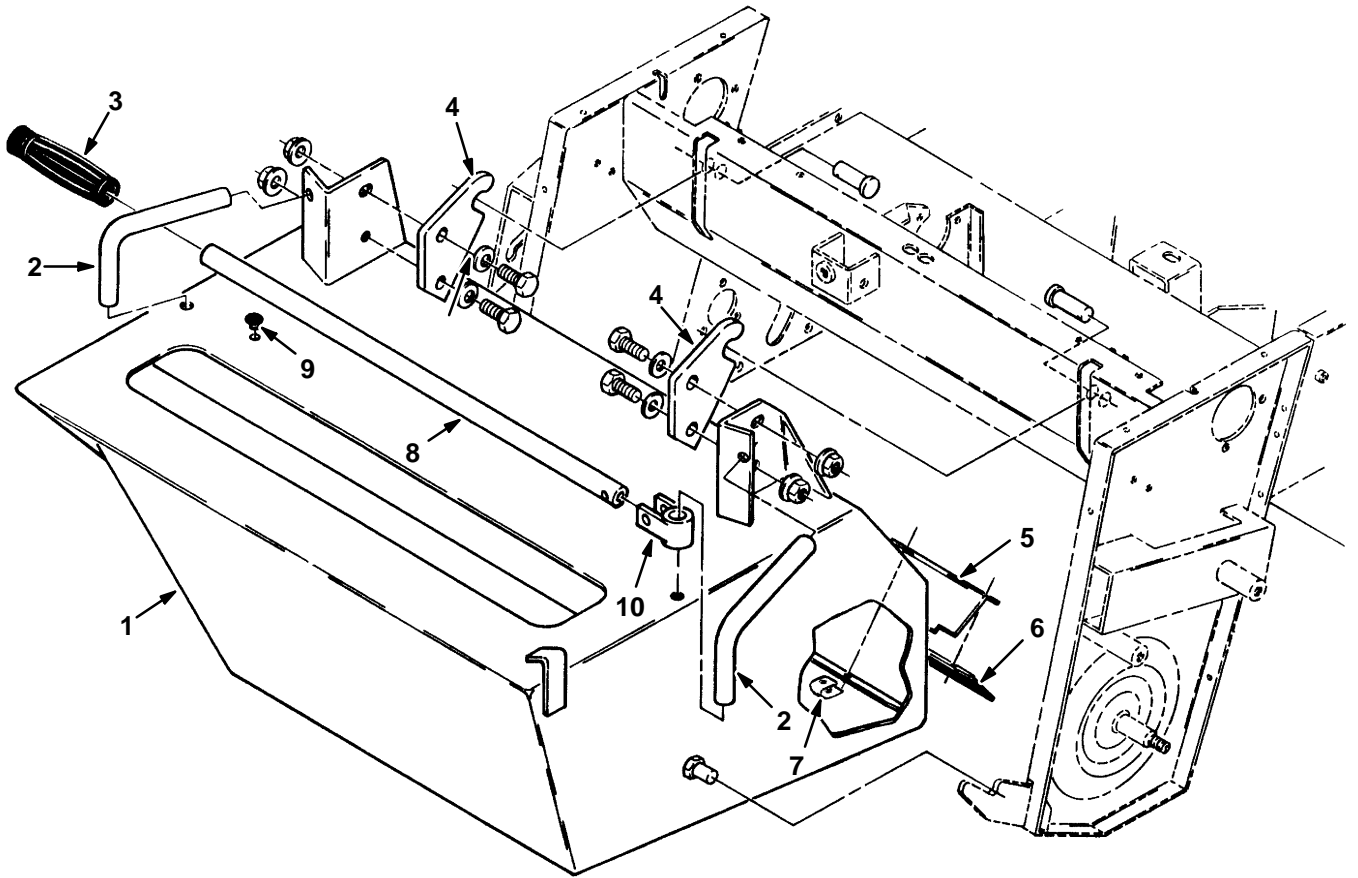


FIG. 577 SWEEPER HOPPER - KEHRSCHMUTZBEHÄLTER - BENNE DE BALAYAGE

		Serial Number / Seriennummer / Numéro de Serie		
MODEL	1186E	from/ab/du	186530001	to/bis/à
MODEL		from/ab/du		to/bis/à

Ref.	Tenant N°	Description	Bezeichnung	Designation	Qty
1	96820	HOPPER	SCHMUTZBEHÄLTER	BENNE	1
2	96781	HANDLE, Lift	GRIFF	POIGNÉE	2
3	96976	GRIP, Handle	GUMMIGRIFF	POIGNÉE	1
4	96907	PLATE, Catch	VERSCHLUßPLATTE	PLAQUE D'ARRÊT	2
5	31025	RETAINER, Lip	HALTER	SUPPORT	1
6	28081	LIP ASSY, Pan	BEHÄLTERLEISTE	JUPE	1
7	97113	NUT, Speed	MUTTER	ECROU	7
8	12769	HANDLE, Lift	HEBESTANGE	LEVAGEUR	1
9	51787	BUMPER, Rubber	GUMMIPUFFER	PARE-CHOC	1
10	12768	KNUCKLE, Handle	GELENK	GENOUILLÈRE	1

FIG. 578 SIDE SCRUB BRUSH - SEITENSCHRUBBESEN - BROSE LATÉRALE DE LAVAGE

	Serial Number / Seriennummer / Numéro de Serie		
MODEL 1186E	from/ab/du	186530001	to/bis/à
MODEL	from/ab/du		to/bis/à

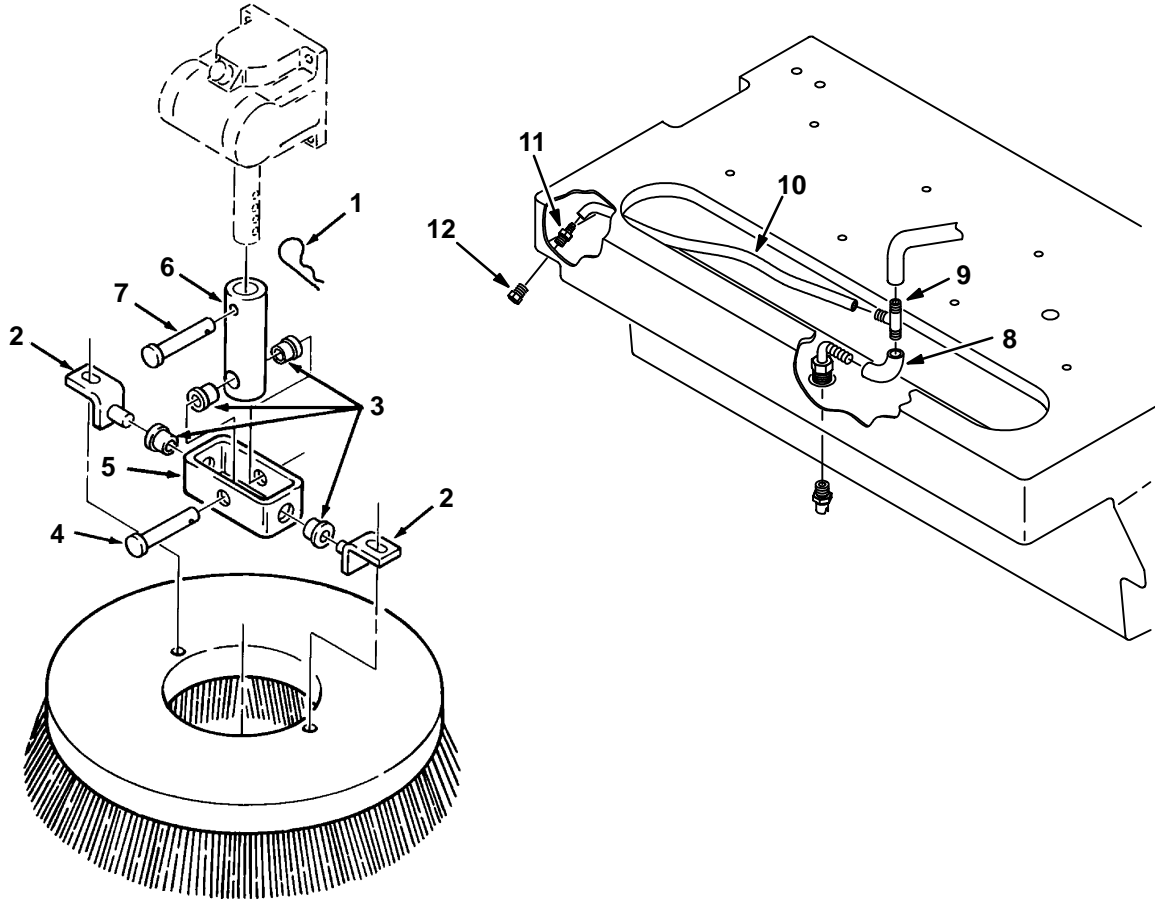


FIG. 578 SIDE SCRUB BRUSH - SEITENSCHRUBBESEN - BROSSSE LATÉRALE DE LAVAGE

		Serial Number / Seriennummer / Numéro de Serie		
MODEL	1186E	from/ab/du	186530001	to/bis/à
MODEL		from/ab/du		to/bis/à

Ref.	Tenant N°	Description	Bezeichnung	Designation	Qty
1	86866	PIN, Haircotter	SPLINT	GOUPILLE FENDUE	1
2	96939	PIVOT	DREHGELENK	ARTICULÉ	2
3	96298	BUSHING, Flange	BÜCHSE	BAGUE	4
4	94877	PIN, Clevis	GABELKOPFBOLZEN	AXE DE CHAPE	1
5	96936	TUBE, Swivel Box	DREHROHR	TUBE DE PIVOT	1
6	96107	TUBE, Hub	ROHRNABE	TUBE DE MOYEU	1
7	15173	PIN, Clevis	GABELKOPFBOLZEN	AXE DE CHAPE	1
8	C089011-5	HOSE, Vinyl	SCHLAUCH	TUYAU	1
9	50895	FITTING, Tee	FITTING	DOUILLE	1
10	42779	HOSE, Vinyl	SCHLAUCH	TUYAU	1
11	41276	FITTING, Straight	FITTING	DOUILLE	1
12	41277	NOZZLE, Side	DÜSE	DIFFUSEUR	1

FIG. 579 BATTERY (125 AH) - BATTERIE (125 AH) - BATTERIE (125 AH)

	Serial Number / Seriennummer / Numéro de Serie		
MODEL 186	from/ab/du	186008001	to/bis/à
MODEL 186E	from/ab/du	186508001	to/bis/à
MODEL 1186E	from/ab/du	186530001	to/bis/à

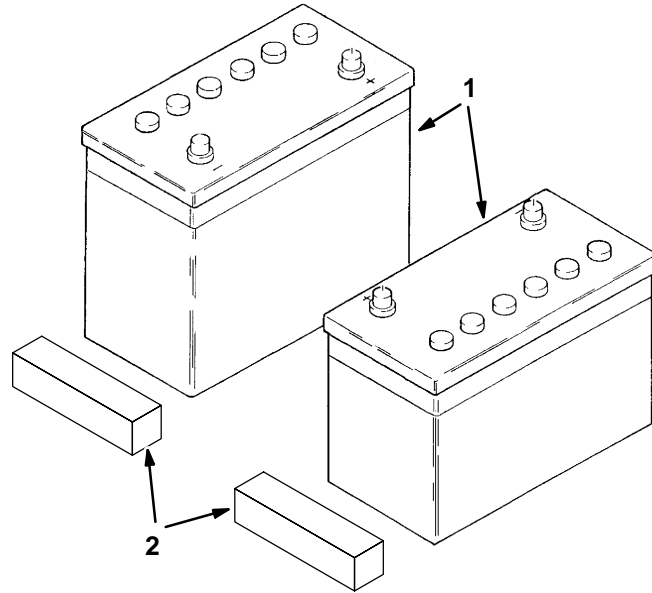


FIG. 579 BATTERY (125 AH) - BATTERIE (125 AH) - BATTERIE (125 AH)

	Serial Number / Seriennummer / Numéro de Serie		
MODEL 186	from/ab/du	186008001	to/bis/à
MODEL 186E	from/ab/du	186508001	to/bis/à
MODEL 1186E	from/ab/du	186530001	to/bis/à

Ref.	Tenant N°	Description	Bezeichnung	Designation	Qty
1	92222-1	BATTERY, Dry	BATTERIE, Trocken	BATTERIE	2
2	92578	SPACER	DISTANZSTÜCK	ENTRETOISE	2

CROSS REFERENCE - QUER VERZEICHNIS - RÉFÉRENCE

Part nr. Ersatzteilnr. Nº. de Pièce	Page nr. Seitenr. Nº. de Page	Part nr. Ersatzteilnr. Nº. de Pièce	Page nr. Seitenr. Nº. de Page
00500-1	C7	09481	C11
00911	C17,C19	09482	C11
00933	C7	09483	C11
00960	C15	10224	C15
01053	C5	10352	C15
01119	C7	10361	C27
01120	C7	10362	C15
01261	C15	10632-12	C3
01290	C23	11329	C19
01317	G5	11531	C21
01318	C3	11608	C33
01334	C27	12641	C25
01475	C23	12642	C11
01520	C21	12768	G9
01534	C21	12769	G9
01639	C21	12960	C7
01640	C21	14605	C5
01657	C27	15173	G11
01837	D5	16447	C27
01842	D5	18136	C17
01856	D5	18627	D5
01967	D5	18628	D5
01968	D5	18629	D5
01969	D5	18630	D5
01970	D5	18631	D5
01971	D5	18632	D5
01982	D5	18633	D5
01983	D5	23217	C17
02221	C15	23498	C15
02424	C33	23624	C7
02712	C15	24881	C31
03401	C11	26015	C3
08082	C7	26212	C17
08086	C7	26239	C27
08091	C21	26395-1	C25
08092	C21	26395-5	C23
08093	C21	26414	C15
08142	C9	27055	G7
08143	C15	27970	C9
08145	C7	28002	C37
08152	C7	28006	C37
08713	C27	28006N	C37
09363	C11	28007P	C37
09367	C5	28008	C5,C17
09415	C25	28010	C9,C17
09479	C21	28014A	C9

Part nr. Ersatzteilnr. Nº. de Pièce	Page nr. Seitenr. Nº. de Page	Part nr. Ersatzteilnr. Nº. de Pièce	Page nr. Seitenr. Nº. de Page
28066	C17	41302	C37
28071	C3	41304	C21
28072	C3	41306	C11
28074	C17	41561	C15
28078	C19	42779	G11
28081	C3, G9	43242	C15
28096N	C37	43844	C11,C21,C25
28096P	C37	44078	C33
28128	C9, G7	44893	C13
28168	C17	44906	C19
28172	C37	45089	C27
28211	C9, G7	45154	C37
28235	C37	45937	C21
28387	C17	45938-1	C21
28388	C17	46139	C15
28428	C33	46140	C15
28429	C33	46141A	C15
28546	C9, G7	46278	C15
28712	C19	47974	C3
28714	C17	50775	C11
28755	C15	50832	C5
28845A	C17	50835	C5
28847-5	C17	50843	C35
28852	C17	50844	C21
28865	C9	50895	C25, G11
28867	C17	50896	C11
28904-5	C3	50901	C21
28976	C17	50905	C21
29005	C17	50906	C11
29406	C37	50927	C25
29545	C7	51137	C7
29653	C27	51407	D5
29664	C21	51408	D5
29982	C3	51787	G9
29991	C7	54121	C13
30030	D5	56504	C21
30147	C7	57751	C33
31025	G9	57803	C33
32323	D5	61086	C11
32525	C15	63030	C33
32557	G3	63034	C27
33233	C25	63035	C27
33940	C27	63038	C27
37909	D5	63143	C23
37912	D5	63144	C23
37923	D5	63266	C33
37926	D5	63310	C21
37929	D5	63319	C23,D5
41276	G11	63327	C27
41277	G11		

Part nr. Ersatzteilnr. Nº. de Pièce	Page nr. Seitenr. Nº. de Page	Part nr. Ersatzteilnr. Nº. de Pièce	Page nr. Seitenr. Nº. de Page
63329	C27	96832	C19
63727	C21	96902	C13
63757	C31	96903	C13
63967	C27	96906	C7
75774	C27	96907	C11, G9
76426	C21	96909	C7
82168	C19	96920	C3
86866	C11	96921	C3
87337	C21	96936	G11
91000	C17	96939	G11
91001	C17	96975	C19
91050	C17	96976	G9
92222-1	G13	96977	C19
92578	G13	96979	C3
92608	C17	96981	C17
92676	C7,C15	96982	C17
92764	C3	96983	C17
92878	C31	96987	C17
92889	C31	97005	C7
93703	C9	97007	C17
93790	C5	97011	C17
94060	C37	97016	C7
94080	C23	97037	C13
94149	C19	97044	C33
94413	C19	97045	C7
94430	C21, C25	97050	C15
94458	C9	97051	C15
94607	C23	97053	C19
94829	C27	97070	C5
94877	G11	97073	C9
94966	C33	97090	C35
96107	G11	97092	C17
96138	C27	97094	C17
96150	C27	97095	C35
96298	G11	97113	G9
96390	C13	97128	C29
96391	C17	97129	C17
96514	C33	97151	C7,C15
96514-1	C33	97152	C15
96522	C13	97153	C27
96596	C13	97156	C27
96622	C27	97159	C27
96647	C7	97163	C27
96652	C27	97164	C5
96713	C3	97165	C5
96751	C13	97167	C7
96781	G9	97168	C7
96820	G9	97170	C3
96827	C31	97188	C27
96828	C31		

Part nr.	Page nr.	Part nr.	Page nr.
Ersatzteilnr.	Seitenr.	Ersatzteilnr.	Seitenr.
Nº. de Pièce	Nº. de Page	Nº. de Pièce	Nº. de Page
97203	C27	97847	C29
97205	C13	97848	C31
97211	C5	97870	C7
97215	C31	97908	C27
97220	C7	99124	C35
97231	C27	99127	C29
97237	C7	99129	C5
97238	C21	99130	C5
97239	C21	99133	C3
97240	C13	99135	C5
97310	C13	99136	C21
97311	C13	99137	C5
97312	C21	99157	C11
97319	C23	99158	C11
97322	C21	99161	C11
97329	C23	99186	C5
97365	C23	99214	C5
97366	C23	99215	C5
97369	C21	C089001-10	C15
97370	C21	C089004-10	C5
97394	C21	C089011-5	C25 , G11
97395	C33	C089011-70	C25
97506	C3	C089011-95	C11
97514	C15	C089011-125	C25
97517	C17	C250108-15	C3
97518	C3	C410112-25	C3
97518-1	C3	C410112-50	C3
97520	C19	C410118-10	G5
97527	C3	C410118-235	C13
97528	C3	C410123-140	C13
97529	C3	C410156-40	C15
97535	C7	C460104-61	C25
97570	C17	C460136-10	C33
97571	C17	PS1003	D3
97594	G3	PS1007	D3
97595	G5	PS1008	D3
97596	G5	PS1009	D3
97597	G5	PS1011P	D3
97603	G5	PS1017	D3
97607	G5	PS1022	D3
97609	G5	PS1080	D3
97614	G5	PS1081	D3
97615	G5	PS1083	D3
97626	C27	PS1089	D3
97627	C27	PS1102	D3
97646	C5	PS1103	D3
97653	C21	PS1104	D3
97675	C33	PS2041	D3
97826	G7	PS2042	D3
97832	C3		