



Electronic Service Manuals

This electronic document is provided as a service to our customers. We do not create the contents of the information contained in this document. Should you have detailed questions pertaining to the information contained in this document, you may contact Michco, or the manufacturer which provided the original information in this electronic deliverable. Michco's only part in this electronic deliverable was the electronic assembly process. By providing this manual online we are not guaranteeing parts availability.

You may contact Michco through the following methods:

Phone (517) 484-9312

2011 N. High St. -- Lansing, Michigan -- 48906

Fax: (517) 484-9836

Email: CustomerService@Michco.com

Website: www.Michco.Com

Order Parts online at:

www.Michco.Com

Directly to Parts & Service:

By Email: **CustomerService@Michco.com**

By Fax: (517) 484-9836

By Voice: (517) 484-9312

Serving the Cleaning Industry Since 1922

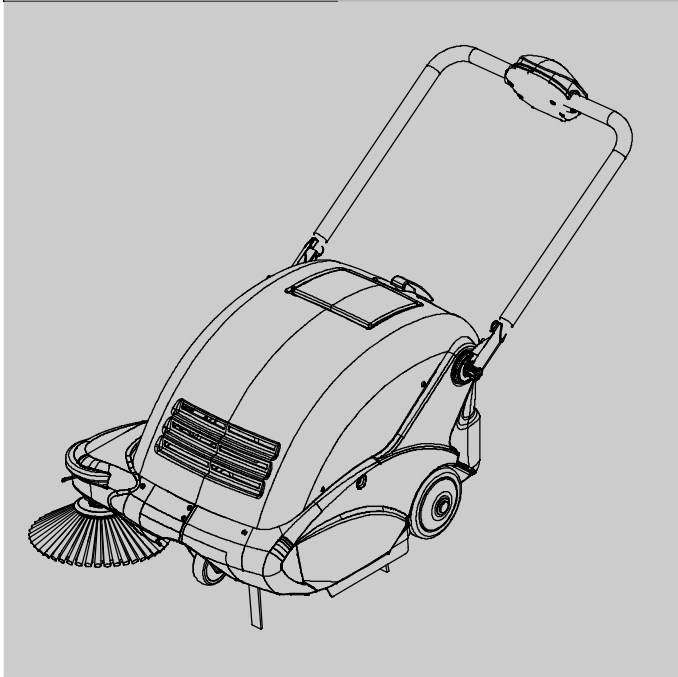
Notice: All copyrighted material remains property of original owners, all trademarks are property of respective owners. Manuals are subject to Manufacturer's reproduction limitations. Originals or reproductions were provided by manufacturers through a request. We make no warranty as to the correctness of information provided in this document and you assume all risk. By placing these manuals on line we are not declaring our corporation to be an manufacturer authorized dealer or provider, please check our web site for authorized manufacturers we represent.



S6

**Battery Powered Automatic
Walk-behind Sweeper**

Parts Manual



Model Part No.:
1251268 - SWEEPER [S6 NA]
1251269 - SWEEPER [S6 JP]

TennantTrue® Parts

Global



To view, print or download
Tennant manuals, visit:

www.tennantco.com/manuals

**9021086
Rev. 00 (08-2020)**

Only use TENNANT Company supplied or equivalent parts. Parts and supplies may be ordered online, by phone or from any Tennant Authorized Service Center or Distributor.

Before Ordering any parts or supplies, be sure to have the machine model number and serial number available.

Serial Number Location

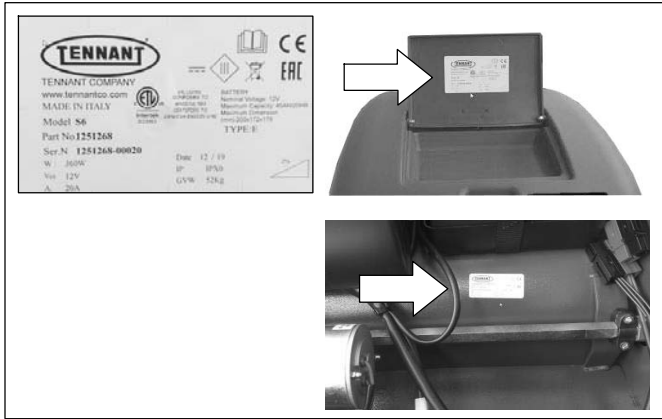


TABLE OF CONTENTS

RECOMMENDED SPARE PARTS LIST ...	3
FRAME AND HOPPER GROUP	4
BRUSH AND FILTER GROUP	8
ELECTRICAL DIAGRAM	12

Tennant Company

PO Box 1452
Minneapolis, MN 55440 USA
Phone: (800) 553-8033
www.tennantco.com

TENNANT Company Japan

9F Industry & Trade Center
2 Yamashita-cho, Naka-ku
Yokohama, Kanagawa 231-0023 Japan
Phone: 81-45-640-5630
Fax: 81-45-640-5604
www.tennant.co.jp

Specifications and parts are subject to change without notice.

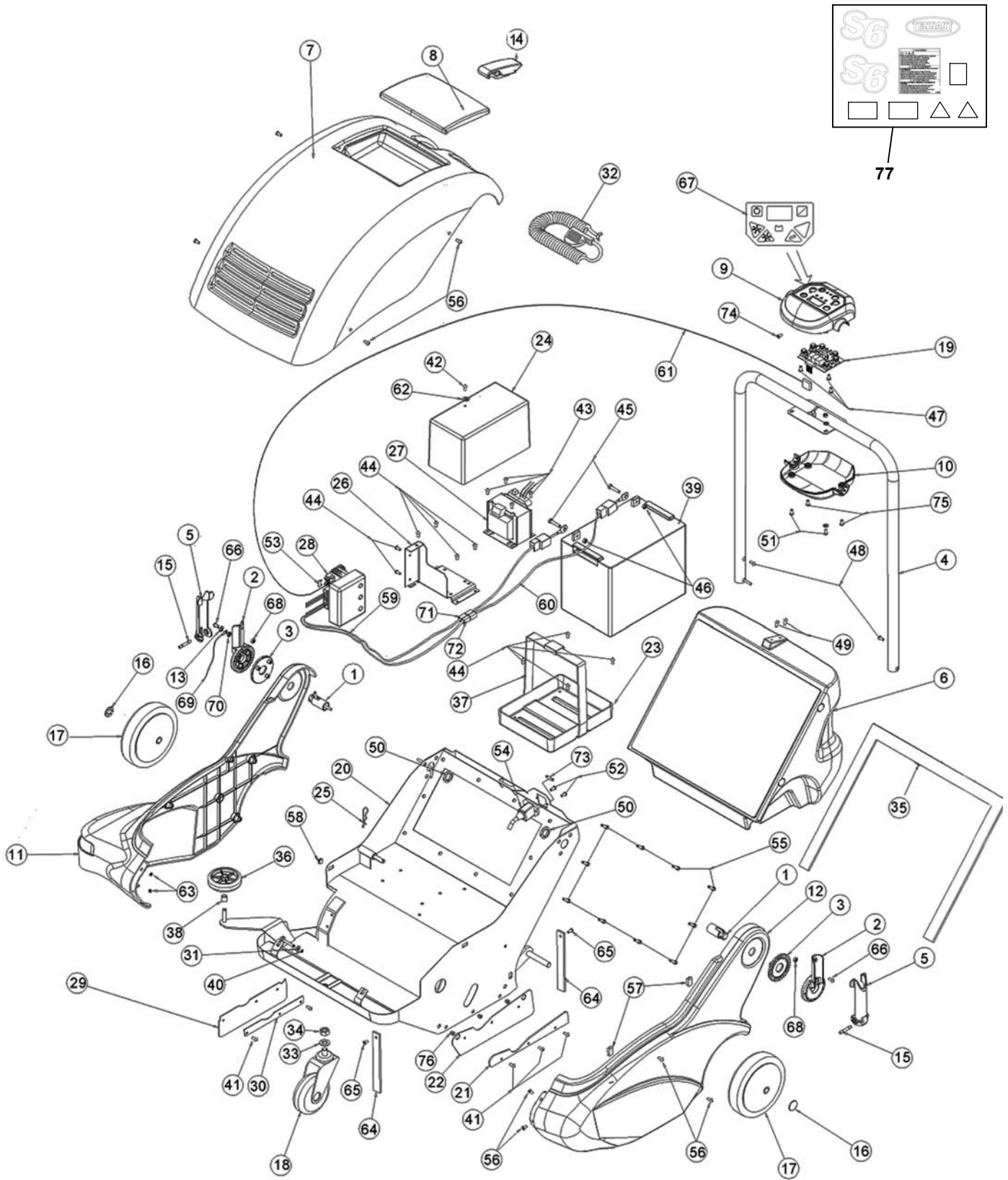
Copyright © 2020 TENNANT Company

RECOMMENDED SPARE PARTS LIST

WEAR PARTS	
PART NO.	DESCRIPTION
SPPV00303	BRUSH, SIDE, STD
PMVR01121	BRUSH, MAIN, W/LOCKING RETAINER
FTDP00013	FILTER, PANEL, PAPER
FTDP00014	FILTER, PRE- FILTER
MPVR00938	SKIRT, FLAP, LH
MPVR00937	SKIRT, FLAP, RH
MPVR00935	SKIRT, FLAP, FRONT
MPVR00936	SKIRT, FLAP, REAR
1069835	CORD, POWER, CHARGER, 120V [NA]
989584	CORD, POWER, CHARGER, 100V [JP]

SERVICE PARTS	
PART NO.	DESCRIPTION
1065086	BATTERY, AGM, 12VDC 50AH/C20
RTRT00039	WHEEL, REAR
RTRT00040	CASTER, FRONT
MECE00020	CIRCUITBOARD, PANL, TOUCH
MECE00025	CIRCUITBOARD ASSY, TRACTION
RTRT00011	WHEEL, BMPPR
MEVR00039	FUSE, 020A, MAIN CARD
MECE00023	WIRE ASSY, TOUCH
MPVR04693	STRAP, STATIC
PMVR00438	GUIDE ASSY, ACTUATOR
MOCC00035	MOTOR, SHAKR
MOCC00036	MOTOR, VACUUM
MOCC00033	MOTOR, BRUSH, MAIN
MOCC00037	MOTOR, BRUSH, SIDE
MTIG00002	GEAR, MOTOR, SIDE BRUSH
MEVR01660	CARBON BRUSH, MOTOR [MOCC00033]
MEVR86071	CARBON BRUSH, MOTOR [MOCC00037]
MEVR00150	FUSE 2.5 A 250V 5X20
MPVR02939	STRAP, BATTERY
MEVR00039	FUSE, 020A, MAIN CARD
MEVR01986	FUSE, 01.25A, CHRGR
MEVR00150	FUSE 2.5 A 250V 5X20
MTCG00019	BELT, BRUSH, MAIN
MOCC00034	ACTUATOR, BRUSH
MPVR01708	GASKET KIT, HPPR [3 PC]
GUGO00414	GASKET SHAKER FRAME
MPVR00931	GASKET, FLTR
CUVR46942	BEARING, BRUSH, MAIN
CUVR00164	BEARING

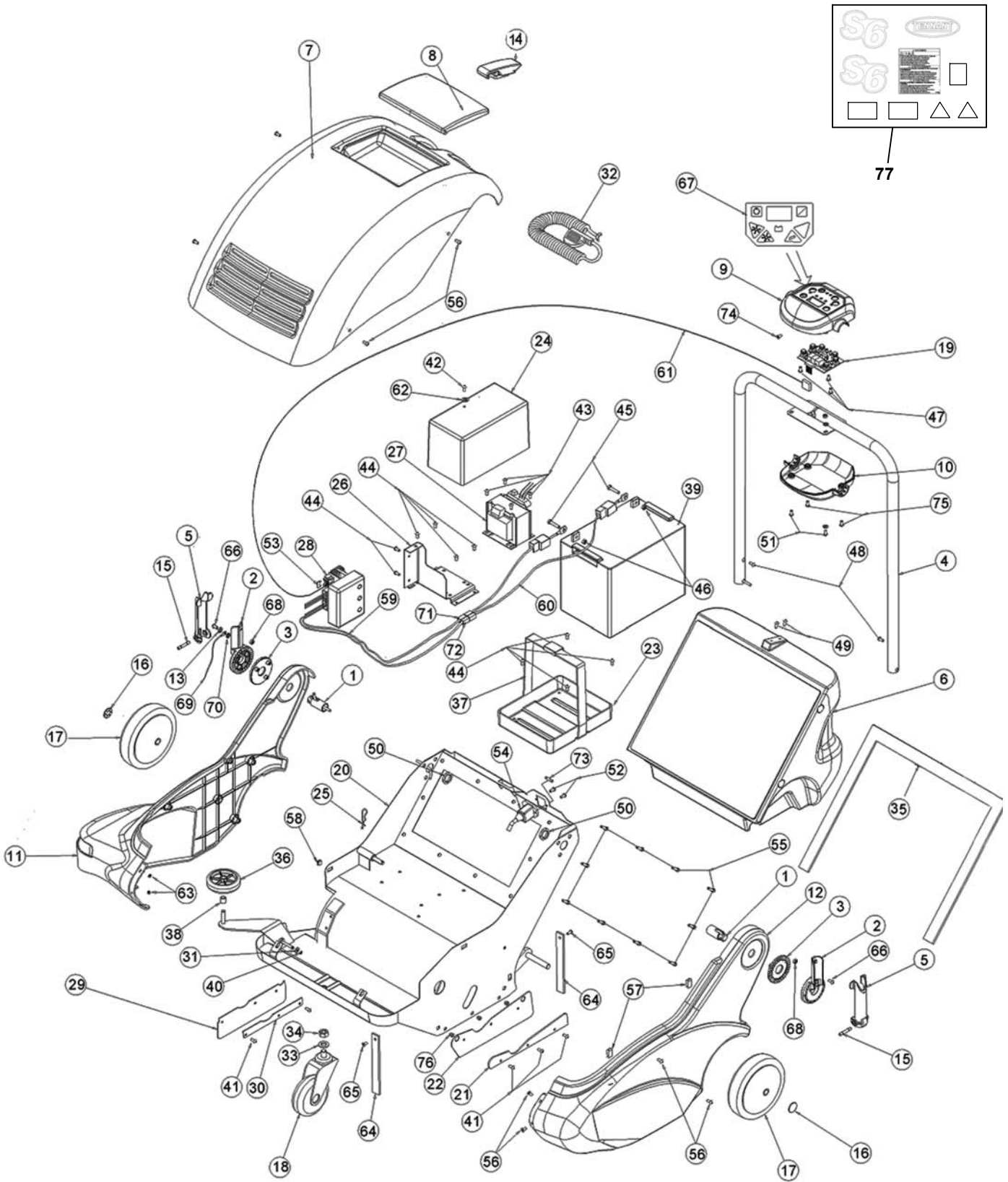
FRAME AND HOPPER GROUP



FRAME AND HOPPER GROUP

Ref.	Part No.	Serial Number	Description	Qty.
1	LAFN01223	(125126x- 00001) PIN, HANDLE, ROTATION	2
2	MPVR00914	(125126x- 00001) CLAMP, LOCK, HANDLE [SERRATED]	2
3	MPVR00915	(125126x- 00001) PAD [SERRATED, HANDLE LOCK]	2
4	LAFN06583	(125126x- 00001) HANDLE SILVER 460 + HANDLES	1
5	MPVR00917	(125126x- 00001) LEVER, LOCK, HANDLE	2
6	MPVR05160	(125126x- 00001) HOPPER ASSY	1
7	MPVR12649	(125126x- 00001) COVER, TOP [S6]	1
8	MPVR12650	(125126x- 00001) COVER, STORAGE [S6]	1
9	MPVR00926	(125126x- 00001) INSTR.PANEL UPPER	1
10	MPVR00927	(125126x- 00001) HOUSING, CNTRL, BOTTOM	1
11	MPVR00928	(125126x- 00001) COVER, SIDE, RIGHT [S6]	1
12	MPVR00929	(125126x- 00001) COVER, SIDE, LEFT [S6]	1
13	VTRS03924	(125126x- 00001) WASHER, LOCK	1
14	CHVR28735	(125126x- 00001) LATCH [S6]	1
15	VTVR00304	(125126x- 00001) PLUG UNI/N 22338 D.6 L=40	2
16	VTVR01684	(125126x- 00001) CLIP, RETAINING	2
17	RTRT00039	(125126x- 00001) WHEEL, REAR	2
18	RTRT00040	(125126x- 00001) CASTER, FRONT	1
19	MECE00020	(125126x- 00001) CIRCUITBOARD, PANL, TOUCH	1
20	LAFN01219	(125126x- 00001) FRAME	1
21	LAFN01235	(125126x- 00001) PLATE, SKIRT, LEFT SIDE	1
22	MPVR00938	(125126x- 00001) SKIRT, FLAP, LH	1
23	MPVR05106	(125126x- 00001) TRAY, BATTERY	1
24	MPVR05105	(125126x- 00001) COVER [ELECTRONICS]	1
25	VTVR47052	(125126x- 00001) PIN, ACTUATOR, MOTOR	1
26	LAFN06585	(125126x- 00001) BRACKET, POWER CARD	1
27	MECE00408	(125126x- 00001) TRANSFORMER, W/ WIRE HARNESS	1
28	MECE00025	(125126x- 00001) CIRCUITBOARD ASSY, TRACTION	1
29	MPVR00937	(125126x- 00001) SKIRT, FLAP, RH	1
30	LAFN01234	(125126x- 00001) PLATE, SKIRT, RH SIDE	1
31	VTRS00503	(125126x- 00001) WASHER, D. 6	1
32	1069835	(125126x- 00001) CORD, POWER, CHRGR, 120VAC [NA]	1
32	989584	(125126x- 00001) POWER CORD WITH PLUG, 125V12A, 4.5M [JP]	1
33	VTRS00506	(125126x- 00001) WASHER D.12 UNI 6592	1
34	VTDD00012	(125126x- 00001) VR, NUT, M12	1
35	MPVR01708	(125126x- 00001) GASKET KIT, HPPR [3 PC]	1
36	RTRT00011	(125126x- 00001) WHEEL, BMPR	1
37	MPVR02939	(125126x- 00001) STRAP, BATTERY	2
38	LAFN75911	(125126x- 00001) SPACER, D.12 H.7.	1
39	1065086	(125126x- 00001) BATTERY, AGM, 12VDC 50AH/C20	1
40	VTAE48552	(125126x- 00001) RING, RETAINING [D.6 UNI 7435]	1
41	897150	(125126x- 00001) SCREW, TC, M4X12, ZN	5
42	VTVT00003	(125126x- 00001) SCREW, HEX, M4 X 0.70 X 12	1
43	VTVT72043	(125126x- 00001) SCREW	4
44	VTVT00003	(125126x- 00001) SCREW, HEX, M4 X 0.70 X 12	10
45	VTVT00104	(125126x- 00001) SCREW TE UNI 5739 6X18 ZB	2
46	VTDD00482	(125126x- 00001) VR, NUT, M6, PL [UNI 5588]	2
47	VTVT00098	(125126x- 00001) SCREW	3
48	VTVT00993	(125126x- 00001) VR, SCREW, M5X0.08	2
49	VTVT00075	(125126x- 00001) SCREW	2
50	LAFN06270	(125126x- 00001) NUT	2

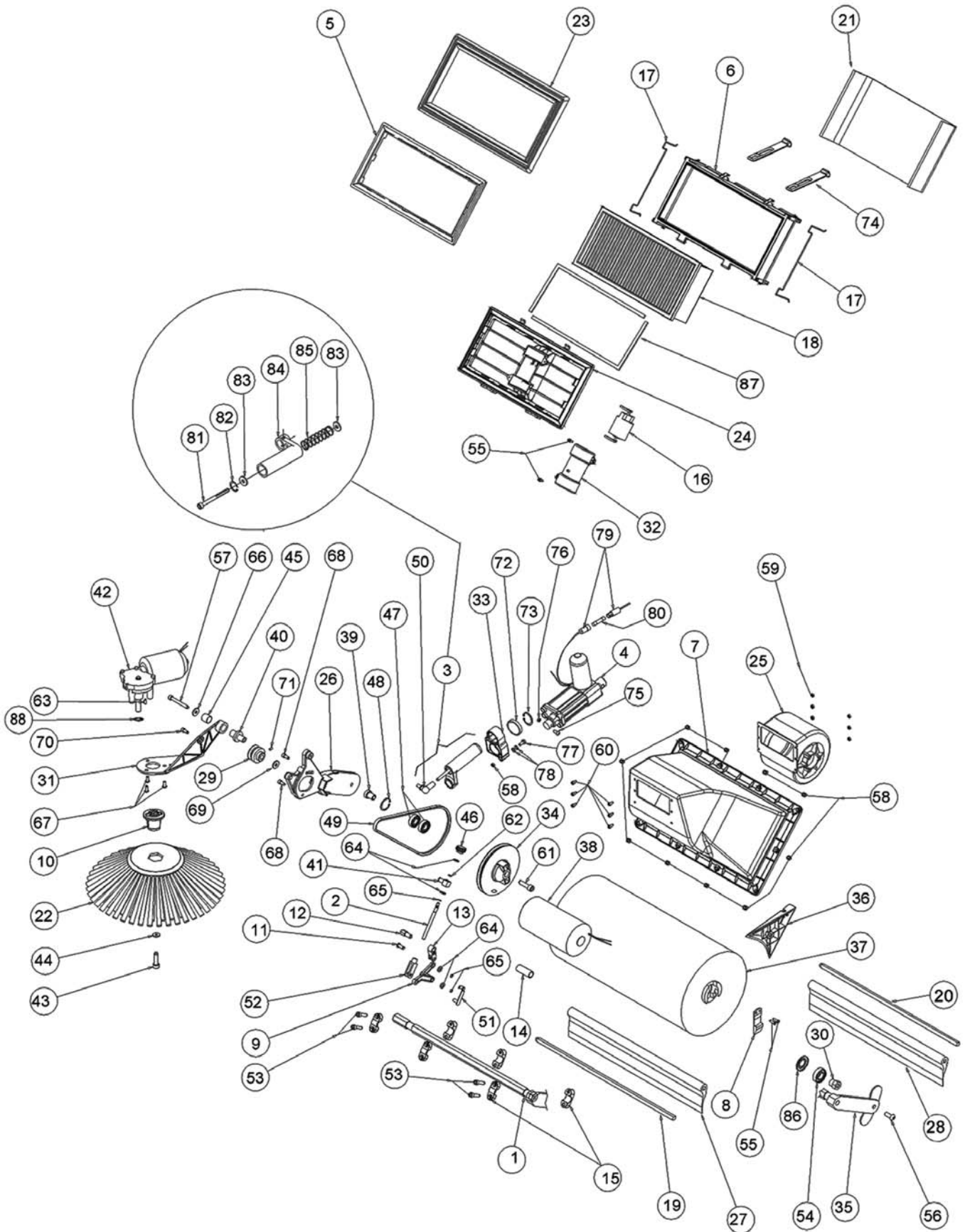
FRAME AND HOPPER GROUP - Continued



FRAME AND HOPPER GROUP - Continued

Ref.	Part No.	Serial Number	Description	Qty.
51	VTVT15961	(125126x- 00001) SCREW, M5X16, TCB, TC, UNI7687	2
52	VTVT00329	(125126x- 00001) SCREW	2
53	MEVR00039	(125126x- 00001) FUSE, 020A, MAIN CARD	1
54	MEVR01930	(125126x- 00001) CONNECTOR, PLUG, CHRGR	1
55	VTVT83145	(125126x- 00001) SCREW TSCE UNI 5933 5X15 ZB	11
56	VTVT75726	(125126x- 00001) SCREW	4
57	MLML00001	(125126x- 00001) CLIP, SPRING	4
58	VTDD00501	(125126x- 00001) VR, NUT, M6, SQ CLIP	4
59	MECE00026	(125126x- 00001) HARNESS, CHRGR, W/ PLUG	1
60	MECB00924	(125126x- 00001) HARNESS, BATTERY	1
61	MECE00023	(125126x- 00001) WIRE ASSY, TOUCH	1
62	VTRS15959	(125126x- 00001) WASHER, 4 X 12	1
63	VTDD00491	(125126x- 00001) NUT, M6	2
64	MPVR04693	(125126x- 00001) STRAP, STATIC	2
65	VTVT62920	(125126x- 00001) SCREW, HEX, M6 X 1.00 X 16, SS	2
66	VTVT00306	(125126x- 00001) SCREW TSPEI M5x12 UNI5933	2
67	ETET00146	(125126x- 00001) LABEL, TOUCH PANL	1
68	VTDD01678	(125126x- 00001) VR, NUT, M5	2
69	MECB00971	(125126x- 00001) WIRE ASSY	1
70	VTRS03924	(125126x- 00001) WASHER, LOCK	1
71	12828	(125126x- 00001) CONNECTOR, CABLE, BLK, 1 WIRE	1
72	12827	(125126x- 00001) CONNECTOR, CABLE, RED, 1 WIRE	1
73	MEVR01986	(125126x- 00001) FUSE, 01.25A, CHRGR	1
74	VTVT00724	(125126x- 00001) VR, SCREW, M2, 9- 9, 5	1
75	VTVT00892	(125126x- 00001) VR, SCREW, 5- 20, ZN	2
76	VTVR47015	(125126x- 00001) PLASTIC INSERT (MEDREVITE)	5
77	KTRI06134	(125126x- 00001) LABEL KIT, S6	1

BRUSH AND FILTER GROUP



BRUSH AND FILTER GROUP

Ref.	Part No.	Serial Number	Description	Qty.
1	ALTR00041	(125126x- 00001) SHAFT, DRIVE, MAIN BRUSH	1
2	ALTR00042	(125126x- 00001) ROD, ADJMT	1
3	PMVR00438	(125126x- 00001) GUIDE ASSY, ACTUATOR	1
4	MOCC00034	(125126x- 00001) ACTUATOR, BRUSH	1
5	MPVR00918	(125126x- 00001) PLATE, FRAME, FLTR	1
6	MPVR00919	(125126x- 00001) FRAME, FLTR	1
7	MPVR00920	(125126x- 00001) HOUSING, BLOWER	1
8	PMVR00333	(125126x- 00001) RETAINER, LOCKING, MAIN BRUSH	1
9	MPVR00934	(125126x- 00001) ARM, DRIVING, SIDE BRUSH	1
10	MPVR01707	(125126x- 00001) HUB, BRUSH, SIDE, DRIVE	1
11	MPVR00932	(125126x- 00001) PIN	1
12	LAFN01227	(125126x- 00001) PIN, ARM, DRIVING	1
13	MPVR00916	(125126x- 00001) ROD, CONNECTING	1
14	LAFN01221	(125126x- 00001) SPACER, SKIRT	1
15	MPVR00807	(125126x- 00001) SUPPORT KIT, SHAFT, TOP & BOTTOM	3
16	MOCC00035	(125126x- 00001) MOTOR, SHAKR	1
17	MLML00040	(125126x- 00001) RETAINER, FLTR, FRAME	2
18	FTDP00013	(125126x- 00001) FILTER, PANEL, PAPER	1
19	LAFN01232	(125126x- 00001) PIN, HOLDER, FRONT SKIRT	1
20	LAFN01233	(125126x- 00001) PIN, HOLDER, REAR SKIRT	1
21	FTDP00014	(125126x- 00001) FILTER, PRE- FILTER	1
22	SPPV00303	(125126x- 00001) BRUSH, SIDE, STD	1
23	MPVR00931	(125126x- 00001) GASKET, FLTR	1
24	MPVR00933	(125126x- 00001) FRAME, SHAKR	1
25	MOCC00036	(125126x- 00001) MOTOR, VACUUM	1
26	MFVR00025	(125126x- 00001) ARM, BRUSH, MAIN	1
27	MPVR00935	(125126x- 00001) SKIRT, FLAP, FRONT	1
28	MPVR00936	(125126x- 00001) SKIRT, FLAP, REAR	1
29	MTPL00038	(125126x- 00001) PULLEY	1
30	LAFN01230	(125126x- 00001) PIN	1
31	LAFN15263	(125126x- 00001) ARM, BRUSH, SIDE	1
32	MPVR00925	(125126x- 00001) COVER, MOTOR, SHAKR	1
33	MPVR00943	(125126x- 00001) SPRING, GUIDE	1
34	MTPL00039	(125126x- 00001) PULLEY CENTRAL BRUSH CONTROL	1
35	MFVR00026	(125126x- 00001) ARM, BRUSH, MAIN	1
36	MPVR00940	(125126x- 00001) CONVEYOR	1
37	PMVR01121	(125126x- 00001) BRUSH, MAIN, W/LOCKING RETAINER	1
38	MOCC00033	(125126x- 00001) MOTOR, BRUSH, MAIN	1
38	MEVR01660	(125126x- 00001) CARBON BRUSH, MOTOR [MOCC00033]	2
39	LAFN01229	(125126x- 00001) PIN, PULLEY	1
40	LAFN01228	(125126x- 00001) PIN, ROTATION	1
41	LAFN01220	(125126x- 00001) JOINT [ARTICULATED, ADJUSTOR ROD]	1
42	MOCC00037	(125126x- 00001) MOTOR, BRUSH, SIDE	1
42	MEVR86071	(125126x- 00001) CARBON BRUSH, MOTOR [MOCC00037]	2
42	MTIG00002	(125126x- 00001) GEAR, MOTOR, SIDE BRUSH	1
43	604209	(125126x- 00001) SCREW, M4X16	1
44	897589	(125126x- 00001) WASHER, UNI6592, M4X16, ZB	1
45	LAFN06774	(125126x- 00001) WASHER	1
46	VTVR00303	(125126x- 00001) KNOB	1
47	CUVR46942	(125126x- 00001) BEARING, BRUSH, MAIN	2
48	VTAE00010	(125126x- 00001) RING, SNAP	1
49	MTCG00019	(125126x- 00001) BELT, BRUSH, MAIN	1
50	VTVR45280	(125126x- 00001) BALLJOINT	1

BRUSH AND FILTER GROUP - Continued

Ref.	Part No.	Serial Number	Description	Qty.
51	CMCV00009	(125126x- 00001) ARM	1
52	CMCV00006	(125126x- 00001) LINK	1
53	VTVT06237	(125126x- 00001) SCREW, 6 X 20 [UNI 5931]	4
54	CUVR00164	(125126x- 00001) BEARING	1
55	VTVT00099	(125126x- 00001) SCREW, 3.9 X 13 [UNI 6954]	2
56	VTVT87271	(125126x- 00001) SCREW, BTN, M8 X 1.25 X 16	1
57	VTVT00063	(125126x- 00001) SCREW TCCE UNI 5931 6X50 ZB	1
58	VTDD00017	(125126x- 00001) NUT AUTOBLOCK DIN 985 M5	12
59	VTDD00009	(125126x- 00001) NUT AUTOBLOCK DIN 985 M4 BASSO	6
60	VTVT00003	(125126x- 00001) SCREW, HEX, M4 X 0.70 X 12	6
61	VTVT01354	(125126x- 00001) SCREW TCCE UNI 5931 8X35 ZB	1
62	GUGO00288	(125126x- 00001) WASHER	1
63	VTVR75730	(125126x- 00001) VR, KEY, WOODRUFF, 03MM X 03MM, 3.7MML	1
64	VTRS00011	(125126x- 00001) WASHER, FLAT, 6 X 12	4
65	VTAE48552	(125126x- 00001) RING, RETAINING [D.6 UNI 7435]	3
66	VTRS63242	(125126x- 00001) WASHER, FLAT, 6 X 24	1
67	VTVT62920	(125126x- 00001) SCREW, HEX, M6 X 1.00 X 16, SS	3
68	VTVT00005	(125126x- 00001) SCREW, HEX, M5 X 0.80 X 12	1
69	VTRS00029	(125126x- 00001) WASHER	1
70	VTVT00005	(125126x- 00001) SCREW, HEX, M5 X 0.80 X 12	1
71	VTVT00989	(125126x- 00001) GRUB SCREW 4X8	1
72	LAFN06775	(125126x- 00001) WASHER	1
73	VTAE09655	(125126x- 00001) RING, RETAINING, 25MMD, OUTER SNAP	1
74	MPVR04648	(125126x- 00001) LATCH, FLTR, RBR	2
75	VTVT00245	(125126x- 00001) SCREW TE M6X30 UNI 5739	1
76	VTDD00010	(125126x- 00001) VR, NUT, M6 X 1.0	1
77	VTVT12041	(125126x- 00001) SCREW	2
78	VTRS00010	(125126x- 00001) WASHER UNI 6592 5X10 ZB	2
79	MECB00925	(125126x- 00001) VR, FUSE BOX	1
80	MEVR00150	(125126x- 00001) FUSE 2.5 A 250V 5X20	1
81	VTVT37013	(125126x- 00001) SCREW TE M 6X100 UNI 5737	1
82	VTAE00009	(125126x- 00001) SEEGER INTERNAL DIN 472 D.20	1
83	LAFN00124	(125126x- 00001) CYLINDAR BAR, BUSHING	2
84	LAFN01238	(125126x- 00001) GUIDE SPRING CASE	1
85	MLML45281	(125126x- 00001) SPRING CENTRAL BRUSH 1400	1
86	LAFN07372	(125126x- 00001) CAP PROTECTION BEARING	1
87	GUGO00414	(125126x- 00001) GASKET SHAKER FRAME	
88	VTAE87276	(125126x- 00001) SEEGER EXT. D10 DIN471	

ELECTRICAL DIAGRAM

